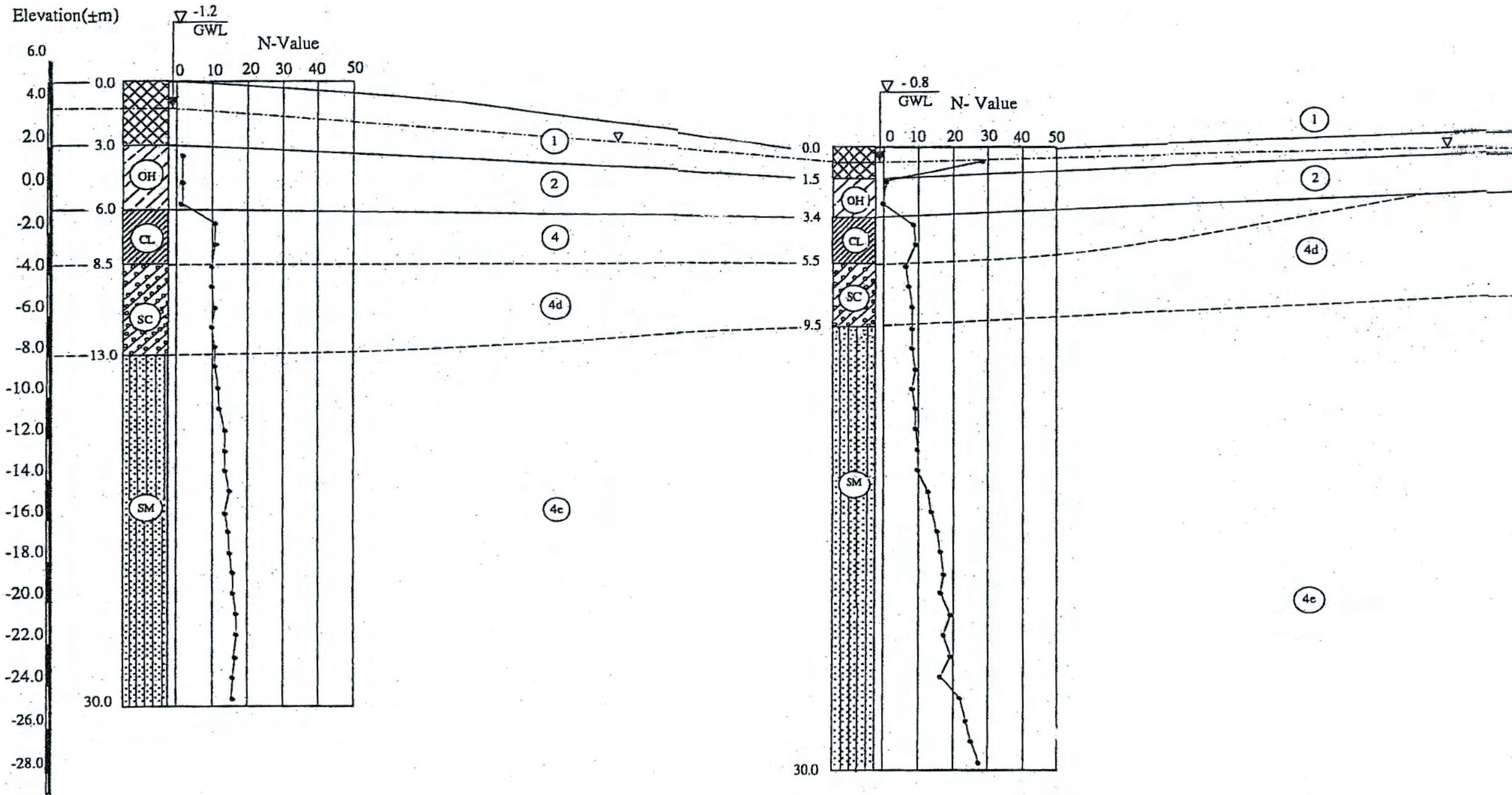


**3. ENGINEERING GEOLOGICAL
CROSS SECTION**



BORING NUMBER	SS-11	DBN-04
DEPTH (m)	30	30
ELEVATION (m)	4.65	2.10
DISTANCE (m)	450	520