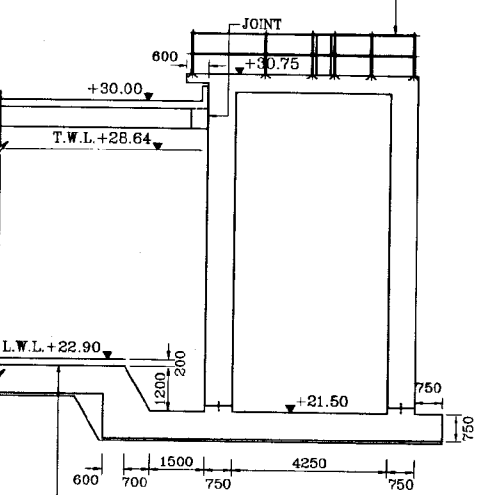
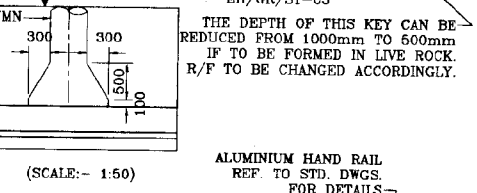


(A) SECTION
(SCALE:- 1:100)

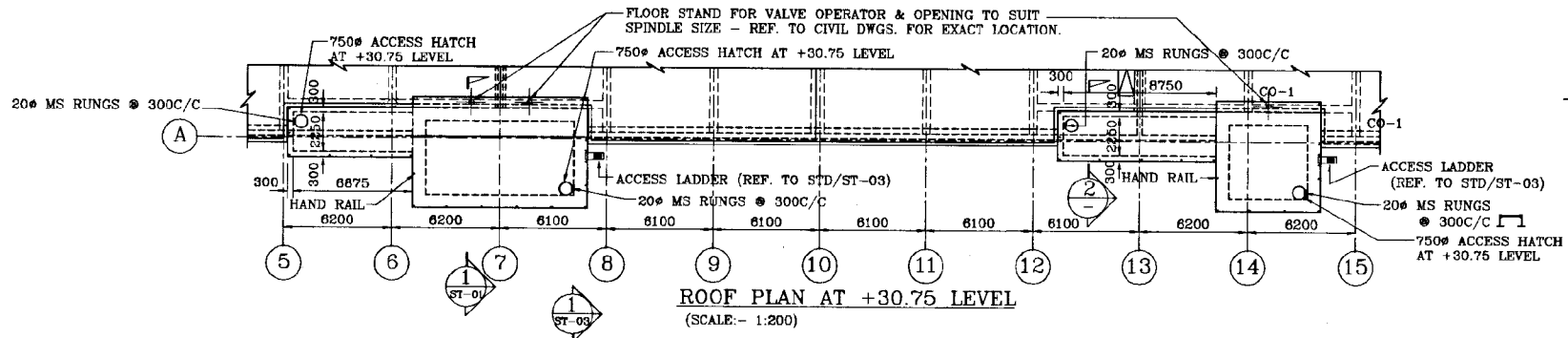
BASE PLAN
(SCALE:- 1:200)



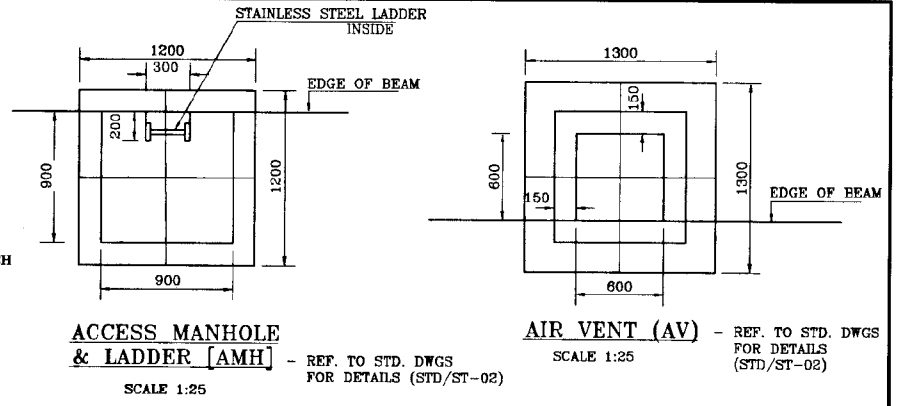
- NOTE:-
1. For general note and standard details refer to standard drawings.
 2. The concrete grade for the reservoir and inlet structure shall be grade 35A.
 3. The cement used to produce concrete for the foundation structure such as perimeter walls, inlet structure and base slab shall be Portland cement complying with BS 12. The cement content of the concrete shall be not less than 360 kg/m³ and the maximum free water cement ratio shall be 0.45.
 4. Clear cover to all reinforcement = 50mm unless stated otherwise.

DO NOT SCALE

<p>NATIONAL WATER SUPPLY AND DRAINAGE BOARD THE PROJECT FOR THE REDUCTION OF NON-REVENUE WATER IN THE GREATER COLOMBO AREA</p>		<p>SUB PROJECT ELLIE HOUSE RESERVOIR</p>	<p>TITLE GENERAL ARRANGEMENT SHEET 01 OF 03</p>
<p>DESIGNED CHECKED BY TEAM LEADER TEAM MEMBER</p>	<p>DRAWN REVISED ASMP (M) INSDR DCMP (M) INSDR</p>	<p>DATE JANUARY 2001</p>	<p>CONTRACT NO. NRW/CW</p>
<p>JAPAN INTERNATIONAL COOPERATION AGENCY (JICA) STUDY TEAM</p>		<p>DRG No. EH/GR/ST-01</p>	
<p>NIHON SUIDO CONSULTANTS CO. LTD., TOKYO, JAPAN</p>			

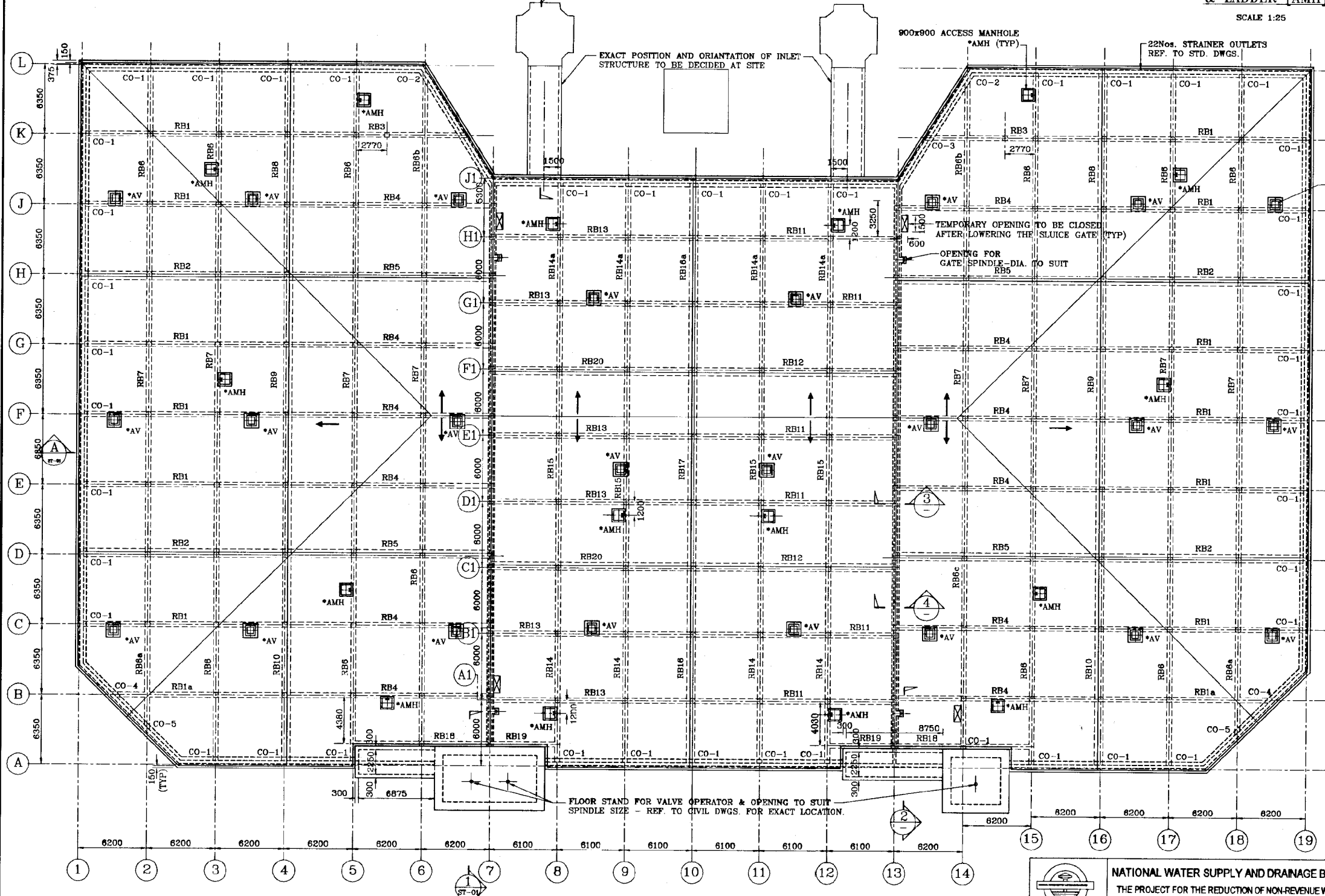


ROOF PLAN AT +30.75 LEVEL
(SCALE: - 1:200)

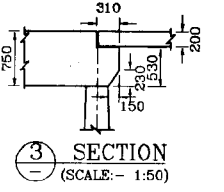


ACCESS MANHOLE & LADDER [AMH] - REF. TO STD. DWGS FOR DETAILS (STD/ST-02)
SCALE 1:25

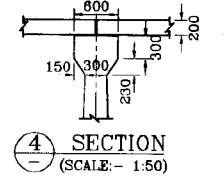
AIR VENT (AV) - REF. TO STD. DWGS FOR DETAILS (STD/ST-02)
SCALE 1:25



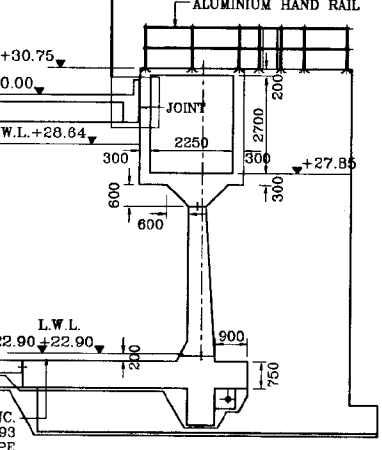
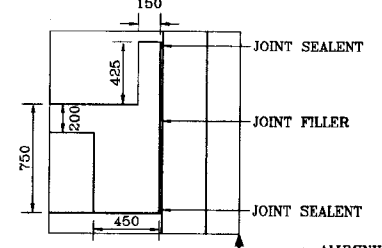
ROOF PLAN AT +30.00 LEVEL
(SCALE: - 1:200)



SECTION 3 (SCALE: - 1:50)



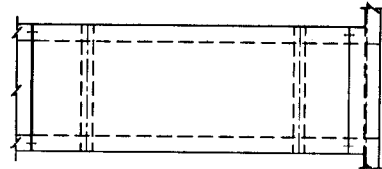
SECTION 4 (SCALE: - 1:50)



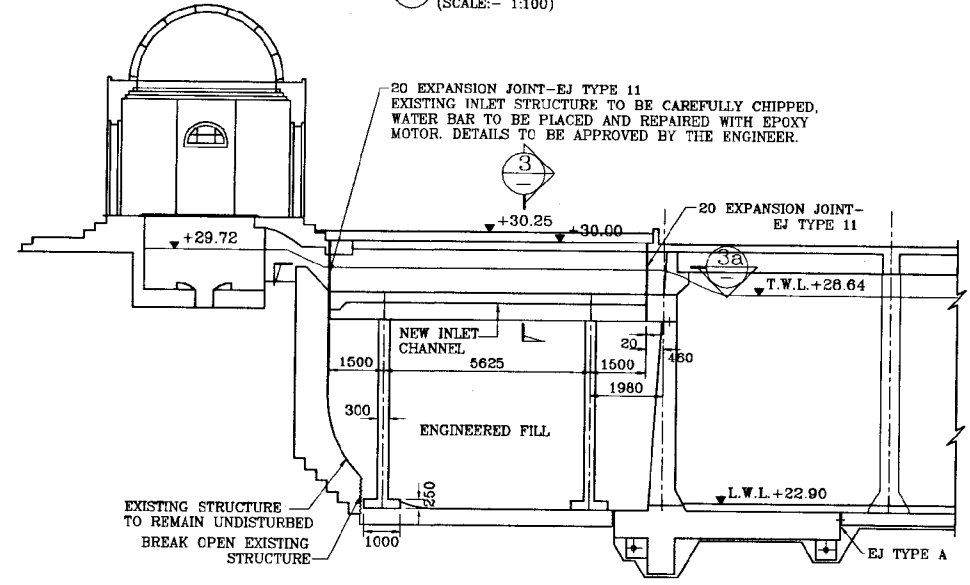
SECTION 1 (SCALE: - 1:100)

DO NOT SCALE

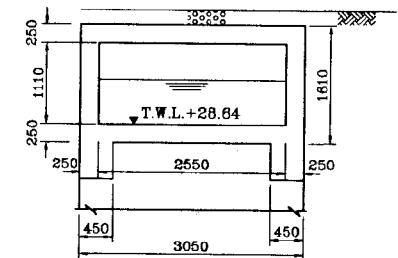
<p>NATIONAL WATER SUPPLY AND DRAINAGE BOARD THE PROJECT FOR THE REDUCTION OF NON-REVENUE WATER IN THE GREATER COLOMBO AREA</p>	SUB PROJECT		TITLE	
	ELLIE HOUSE RESERVOIR		GENERAL ARRANGEMENT	
DESIGNED		DRAWN		DATE
CHECKED		IN CHARGE		CONTRACT No.
BY TEAM LEADER		APPROVED		DRG No.
TEAM LEADER		DGM/PROJ MGR		EH/GR/ST-02
<p>JAPAN INTERNATIONAL COOPERATION AGENCY (JICA) STUDY TEAM</p> <p>NIHON SUIDO CONSULTANTS CO. LTD., TOKYO, JAPAN</p>				



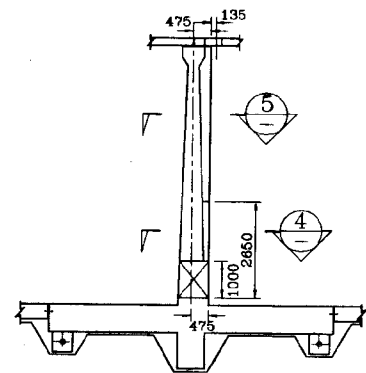
3a SECTION
(SCALE: 1:100)



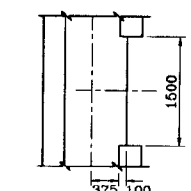
1 SECTION
(SCALE: 1:100)



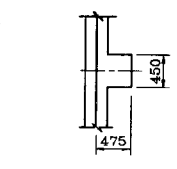
3 SECTION
(SCALE: 1:50)
- INLET CHANNEL



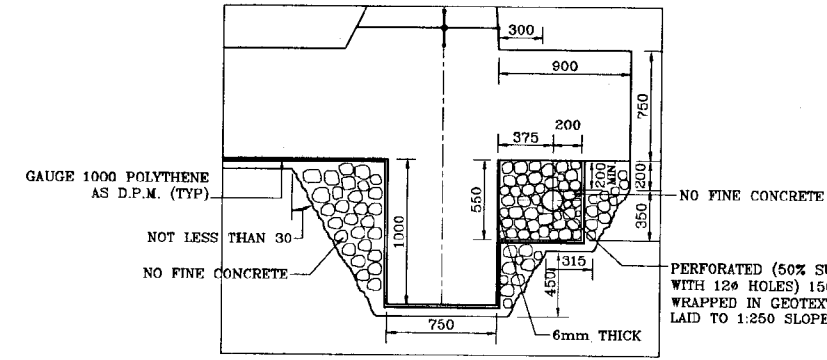
2 SECTION
(SCALE: 1:100)



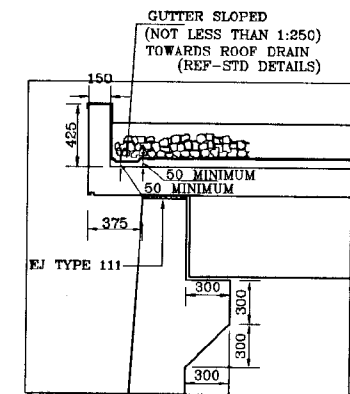
4 SECTION
(SCALE: 1:50)



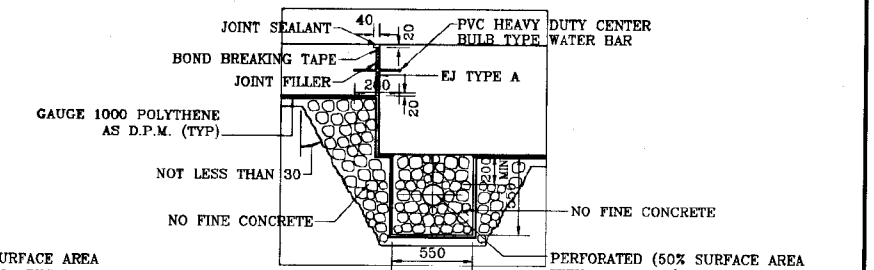
5 SECTION
(SCALE: 1:50)



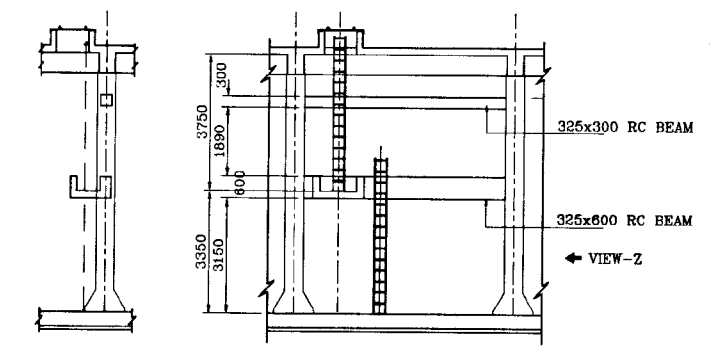
DETAIL A
(SCALE: 1:25)



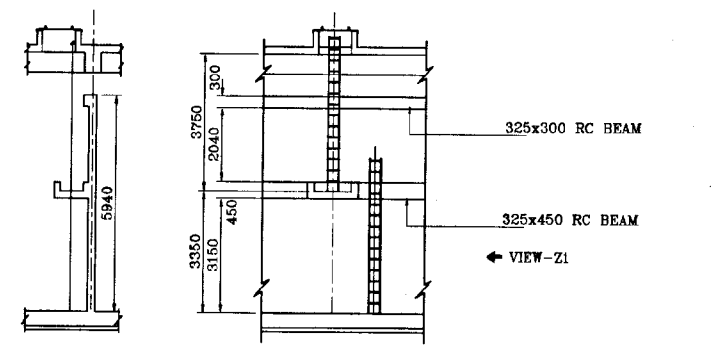
DETAIL C
(SCALE: 1:25)



DETAIL B
(SCALE: 1:25)



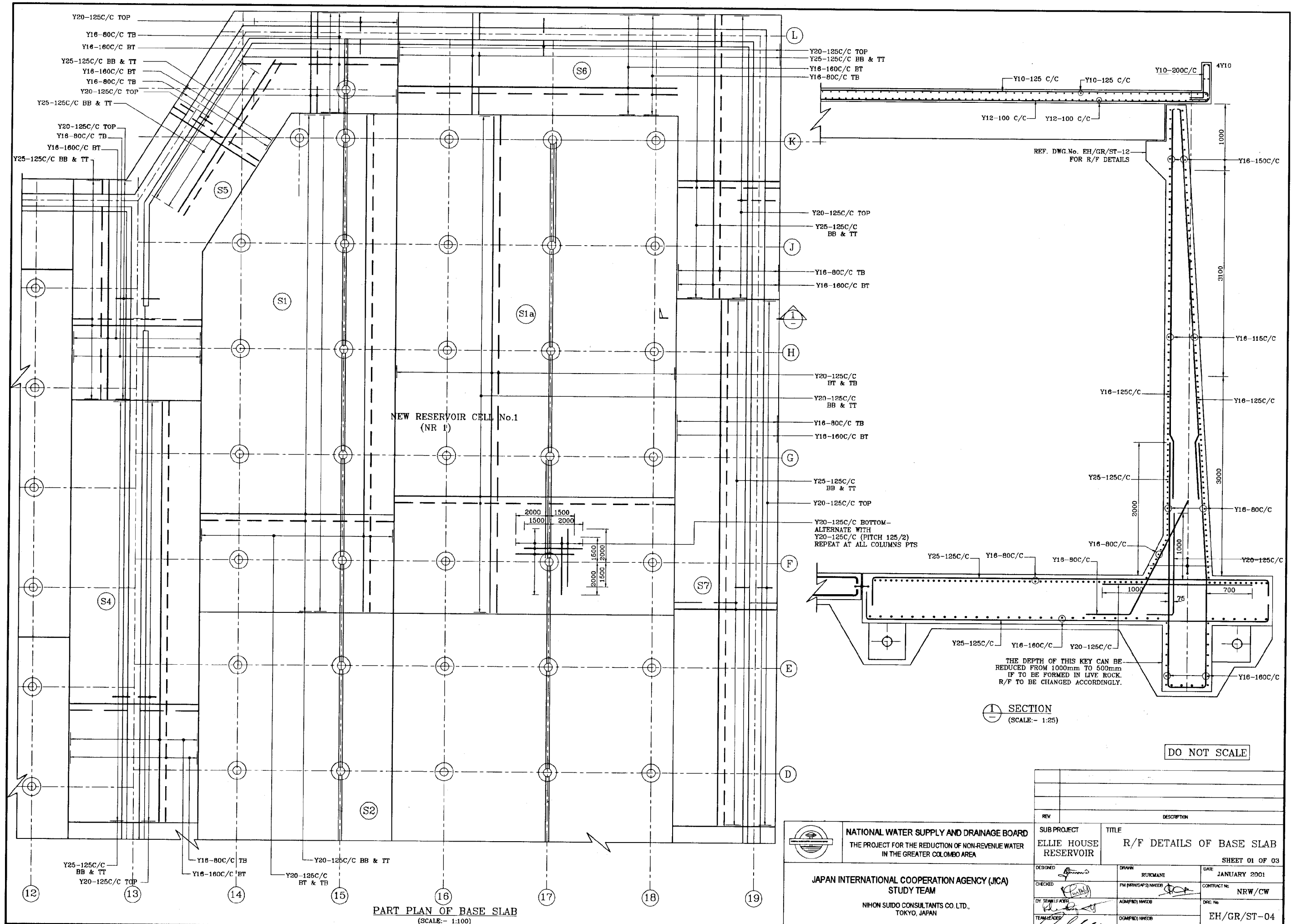
VIEW Z
(TYPICAL AT ALL ACCESS MANHOLE - REF. TO DWG. NO. STD/ST-02 FOR LADDER DETAILS)
SCALE: 1:100



VIEW Y
(TYPICAL AT ALL ACCESS MANHOLE - REF. TO DWG. NO. STD/ST-02 FOR LADDER DETAILS)
SCALE: 1:100

DO NOT SCALE


	NATIONAL WATER SUPPLY AND DRAINAGE BOARD THE PROJECT FOR THE REDUCTION OF NON-REVENUE WATER IN THE GREATER COLOMBO AREA		SUB PROJECT ELLIE HOUSE RESERVOIR		TITLE GENERAL ARRANGEMENT	
	JAPAN INTERNATIONAL COOPERATION AGENCY (JICA) STUDY TEAM NIPPON SUIDO CONSULTANTS CO. LTD., TOKYO, JAPAN		DESIGNED: [Signature] CHECKED: [Signature] BY TEAM LEADER: [Signature] TEAM LEADER: [Signature]		DATE JANUARY 2001 CONTRACT NO. NRW/CW DRG. No. EH/GR/ST-03	



PART PLAN OF BASE SLAB
(SCALE:- 1:100)

SECTION
(SCALE:- 1:25)

DO NOT SCALE

 <p>NATIONAL WATER SUPPLY AND DRAINAGE BOARD THE PROJECT FOR THE REDUCTION OF NON-REVENUE WATER IN THE GREATER COLOMBO AREA</p>	<p>DESIGNED: <i>[Signature]</i></p>		<p>DATE: JANUARY 2001</p>
	<p>CHECKED: <i>[Signature]</i></p>		<p>CONTRACTING: NRW/CW</p>
<p>BY TEAM LEADER: <i>[Signature]</i></p>		<p>DRAWN: RUKMANT</p>	<p>DWG No: EH/GR/ST-04</p>
<p>TEAM LEADER: <i>[Signature]</i></p>		<p>PM (NRW/SAPS) MEMBER: <i>[Signature]</i></p>	<p>CONTRACTING: NRW/CW</p>
<p>JAPAN INTERNATIONAL COOPERATION AGENCY (JICA) STUDY TEAM</p>		<p>AGAMP (I) MEMBER: <i>[Signature]</i></p>	<p>DWG No: EH/GR/ST-04</p>
<p>NIHON SUIDO CONSULTANTS CO. LTD., TOKYO, JAPAN</p>		<p>DGMP (I) MEMBER: <i>[Signature]</i></p>	<p>DWG No: EH/GR/ST-04</p>

REV	DESCRIPTION

NATIONAL WATER SUPPLY AND DRAINAGE BOARD
THE PROJECT FOR THE REDUCTION OF NON-REVENUE WATER
IN THE GREATER COLOMBO AREA

JAPAN INTERNATIONAL COOPERATION AGENCY (JICA)
STUDY TEAM

NIHON SUIDO CONSULTANTS CO. LTD.,
TOKYO, JAPAN

SUB PROJECT
ELLIE HOUSE RESERVOIR

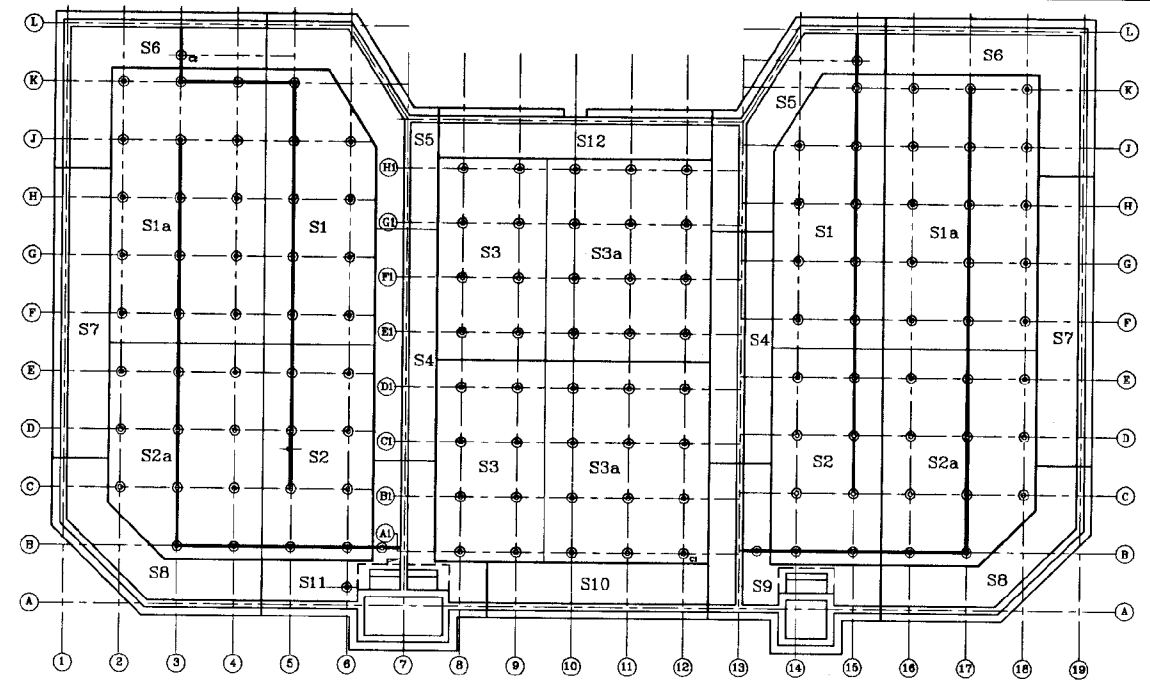
TITLE
R/F DETAILS OF BASE SLAB

SHEET 01 OF 03

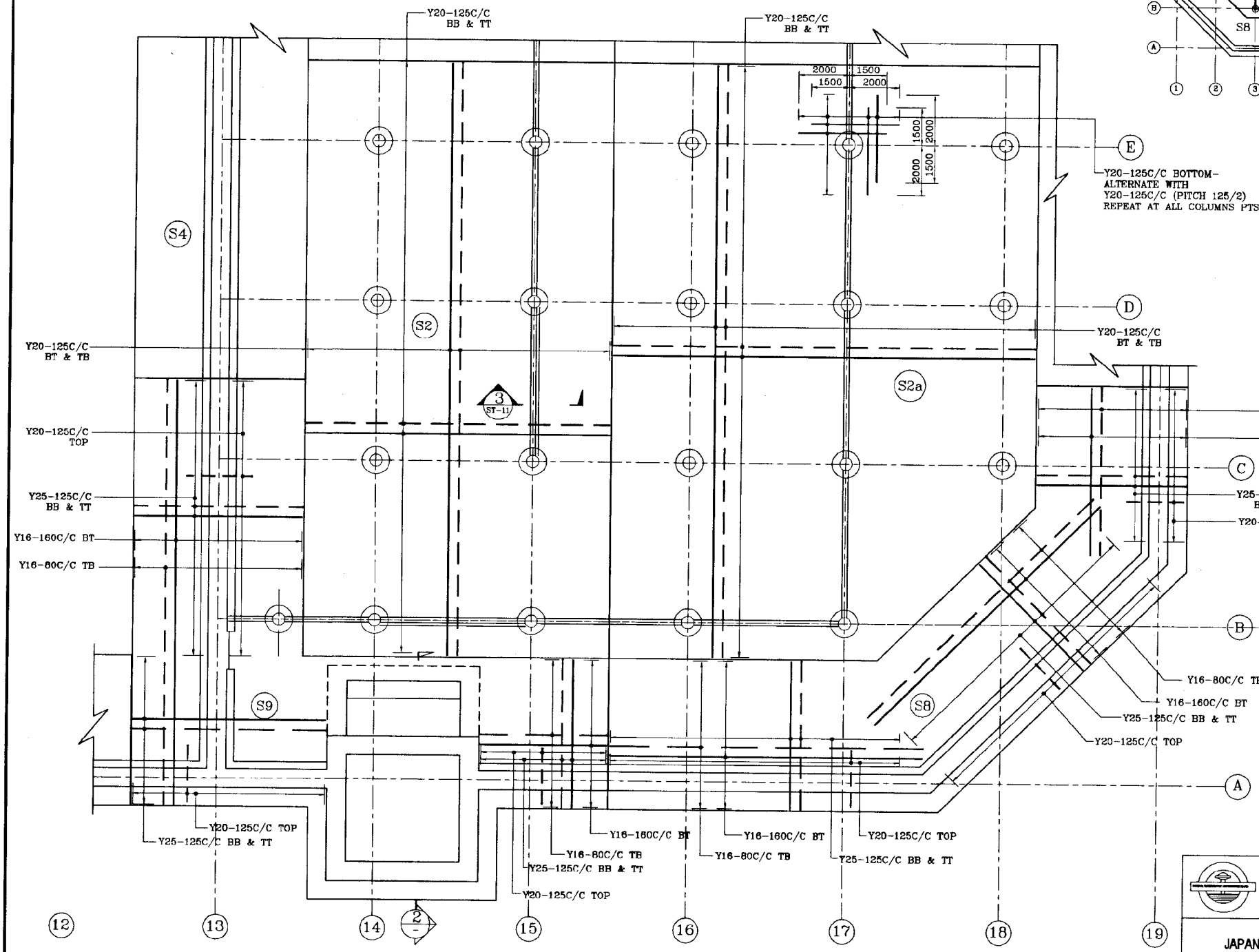
DATE: JANUARY 2001

CONTRACTING: NRW/CW

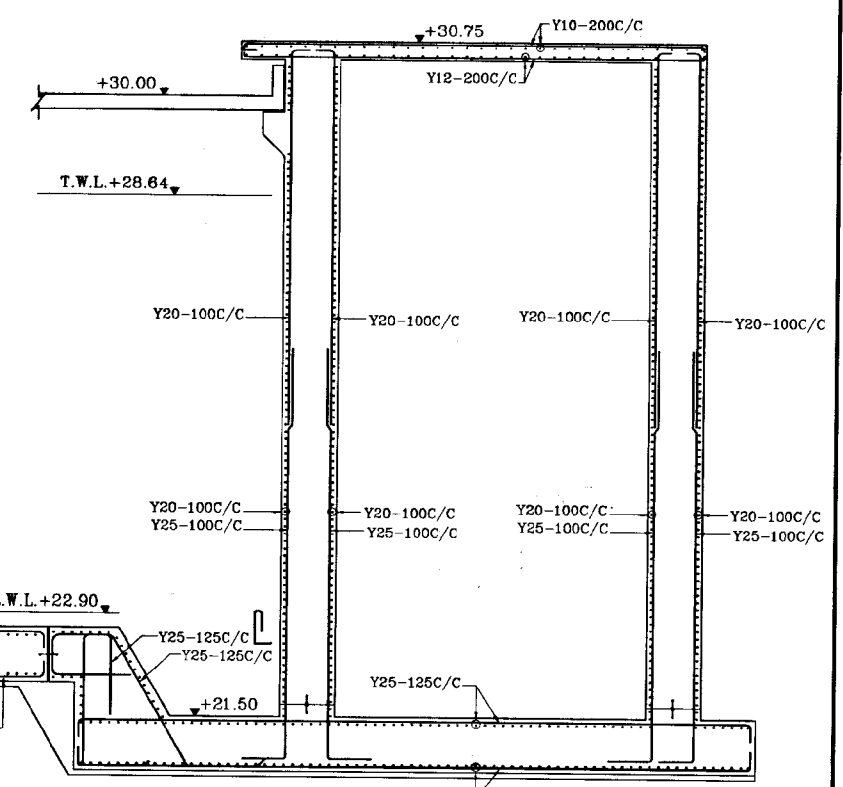
DWG No: EH/GR/ST-04



BASE KEY PLAN



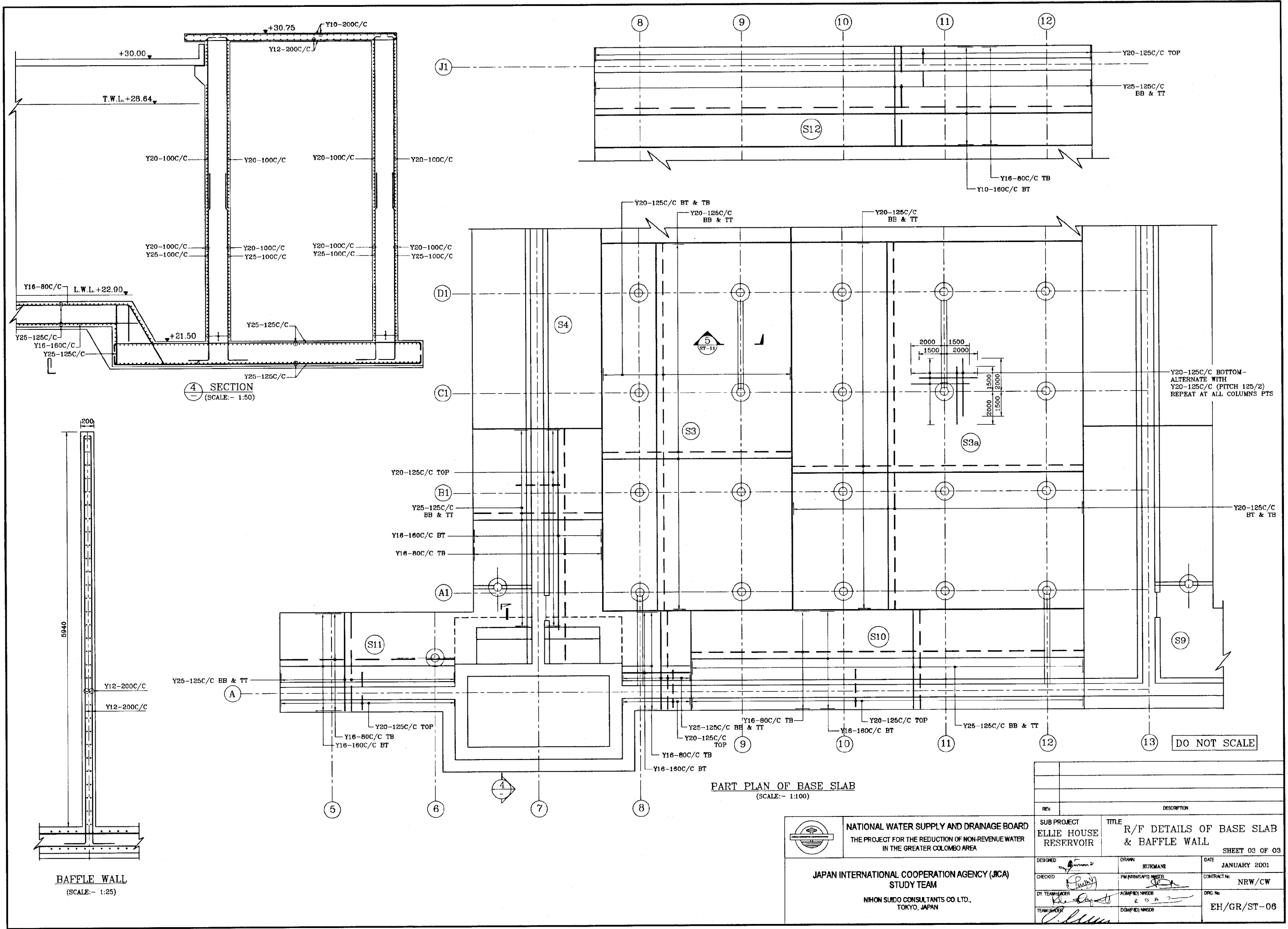
PART PLAN OF BASE SLAB
(SCALE: 1:100)



SECTION
(SCALE: 1:50)

DO NOT SCALE

	NATIONAL WATER SUPPLY AND DRAINAGE BOARD THE PROJECT FOR THE REDUCTION OF NON-REVENUE WATER IN THE GREATER COLOMBO AREA		SUB PROJECT ELLIE HOUSE RESERVOIR	TITLE R/F DETAILS OF BASE SLAB
	JAPAN INTERNATIONAL COOPERATION AGENCY (JICA) STUDY TEAM NIKON SUDO CONSULTANTS CO. LTD., TOKYO, JAPAN		SHEET 02 OF 03 DATE JANUARY 2001	CONTRACT No. NRW/CW
DESIGNED 	CHECKED 	DRAWN 	REVISION 	DRG. No. EH/GR/ST-05



SECTION 4 (SCALE: - 1:50)

BAFFLE WALL (SCALE: - 1:25)

PART PLAN OF BASE SLAB (SCALE: - 1:100)

DO NOT SCALE



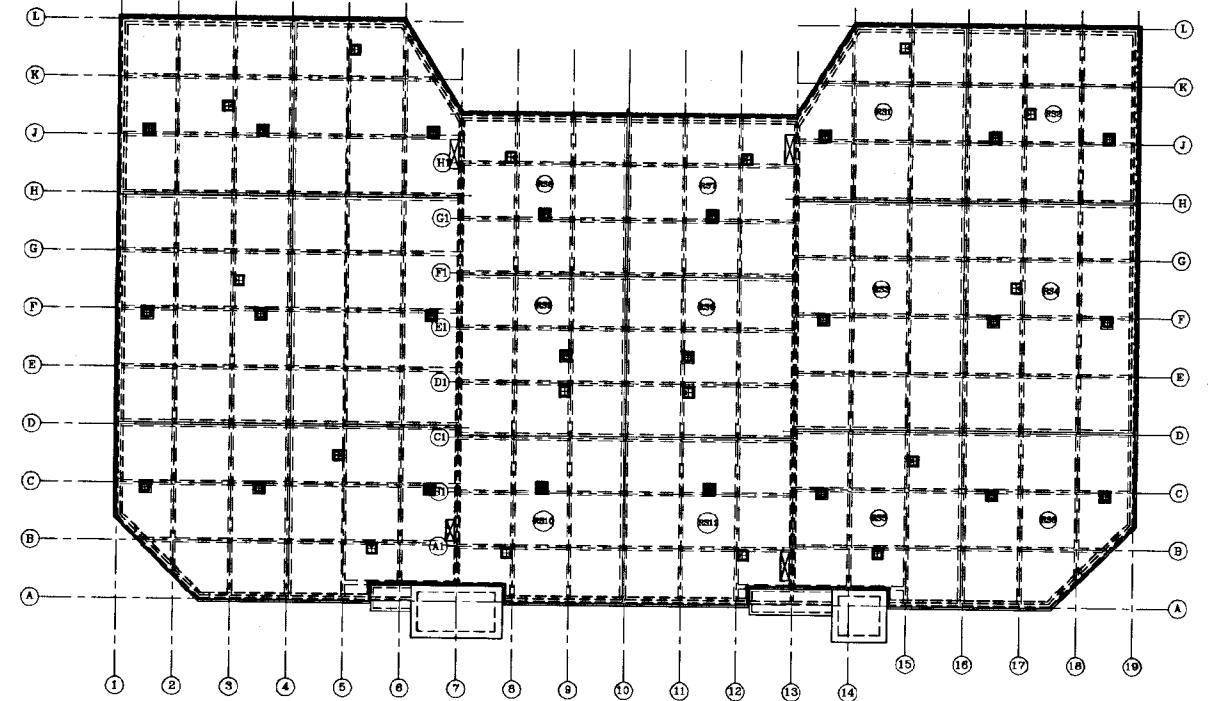
NATIONAL WATER SUPPLY AND DRAINAGE BOARD
THE PROJECT FOR THE REDUCTION OF NON-REVENUE WATER
IN THE GREATER COLOMBO AREA

JAPAN INTERNATIONAL COOPERATION AGENCY (JICA)
STUDY TEAM

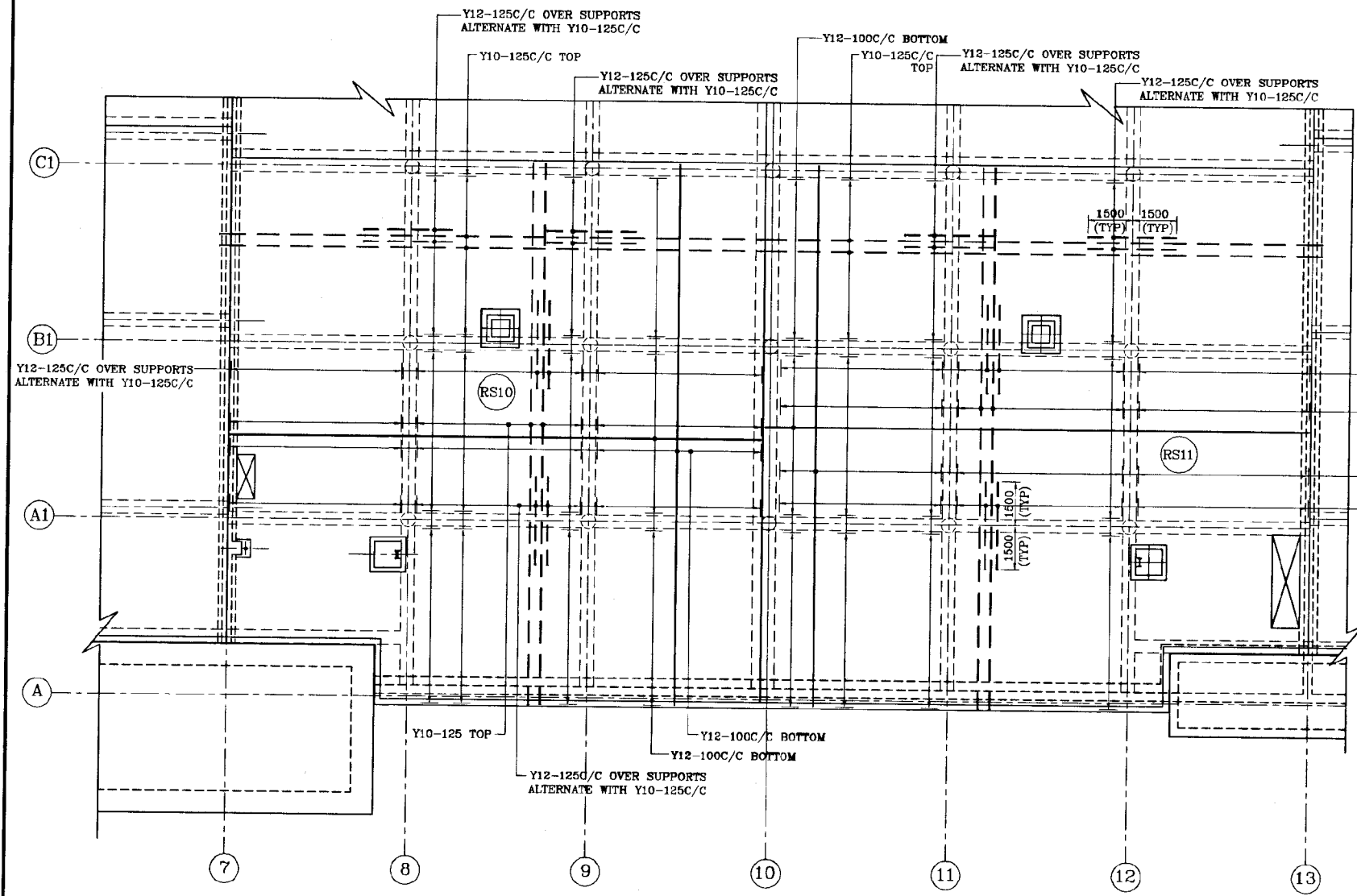
NIHON SUIDO CONSULTANTS CO. LTD.,
TOKYO, JAPAN

SUB PROJECT TITLE
ELLIE HOUSE RESERVOIR R/F DETAILS OF BASE SLAB & BAFFLE WALL
SHEET 03 OF 03

REV	DESCRIPTION	DATE
DESIGNED	DRWN RUKOMANI	JANUARY 2001
CHECKED	PM (NRWSAPS) MNSDB	CONTRACTOR NRW/CW
DT TEAM LEADER	AGM (P) MNSDB	DRG No.
TEAM LEADER	DM (P) MNSDB	EH/GR/ST-06



ROOF KEY PLAN
(SCALE: - 1:400)



PART PLAN OF ROOF SLAB
(SCALE: - 1:100)

Y12-125C OVER SUPPORTS
ALTERNATE WITH Y10-125C/C

Y10-125C/C TOP

Y12-100C/C BOTTOM

Y12-125C OVER SUPPORTS
ALTERNATE WITH Y10-125C/C

Y12-125C OVER SUPPORTS
ALTERNATE WITH Y10-125C/C

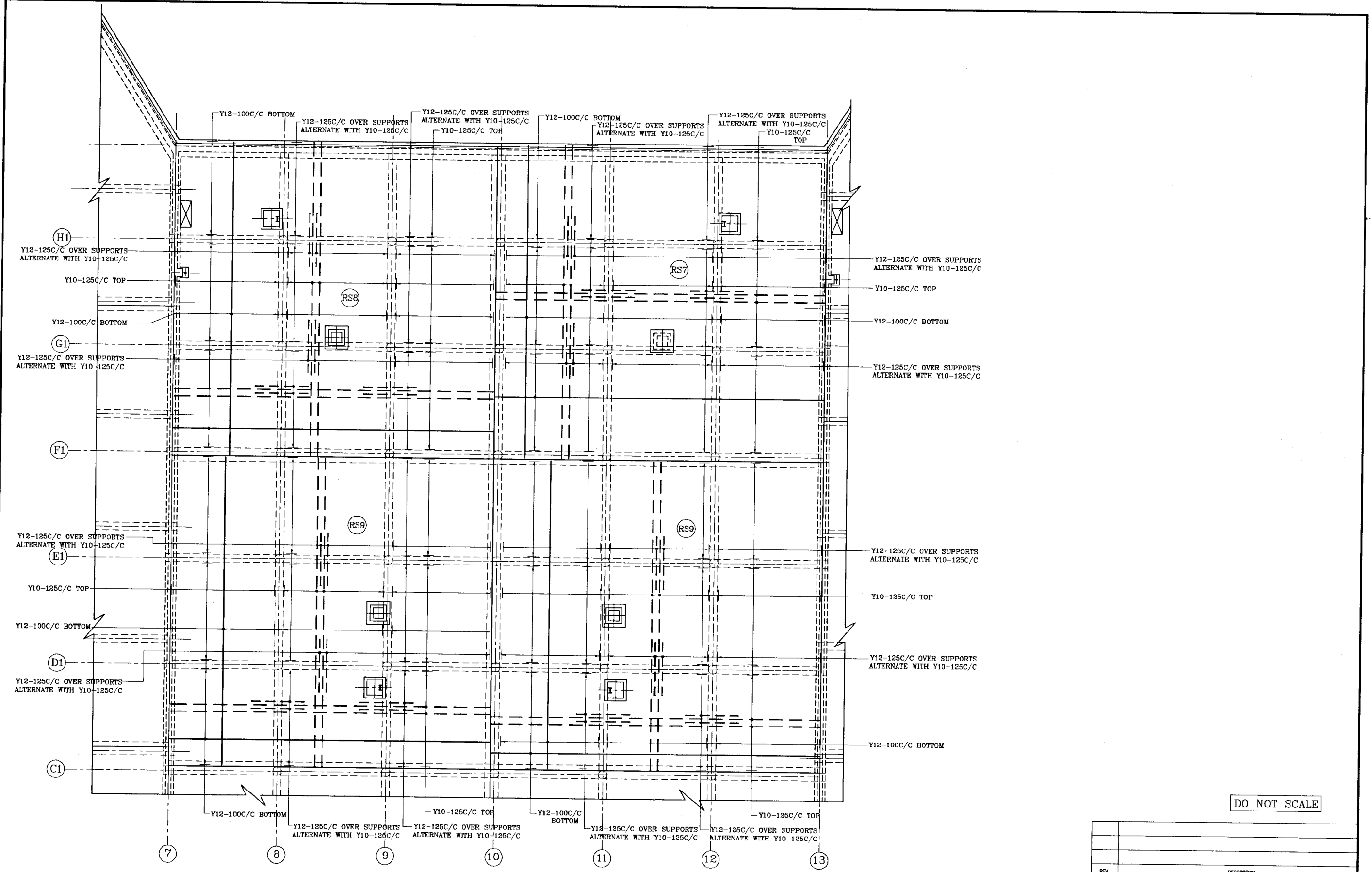
Y12-125C OVER SUPPORTS
ALTERNATE WITH Y10-125C/C

Y12-100C/C BOTTOM

Y12-125C OVER SUPPORTS
ALTERNATE WITH Y10-125C/C


DO NOT SCALE

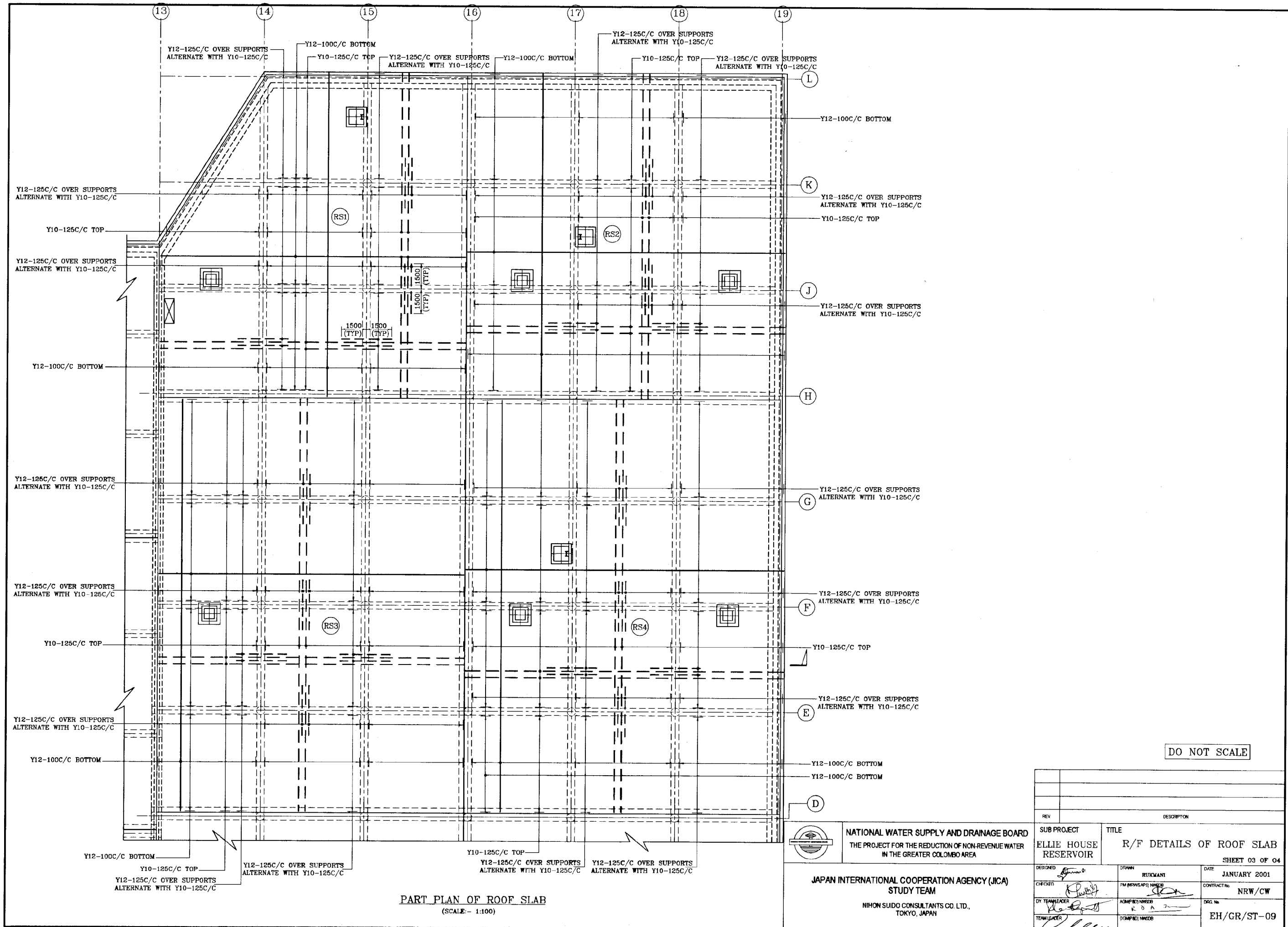
<p>NATIONAL WATER SUPPLY AND DRAINAGE BOARD THE PROJECT FOR THE REDUCTION OF NON-REVENUE WATER IN THE GREATER COLOMBO AREA</p>	<p>SUB PROJECT ELLE HOUSE RESERVOIR</p>	<p>TITLE R/F DETAILS OF ROOF SLAB</p>	<p>SHEET 01 OF 04</p>
	<p>DESIGNED: <i>[Signature]</i></p> <p>CHECKED: <i>[Signature]</i></p> <p>BY TEAM LEADER: <i>[Signature]</i></p> <p>TEAM LEADER: <i>[Signature]</i></p>	<p>DRAWN: RUKMANT</p> <p>PM INRW/S&S MASSRA: <i>[Signature]</i></p> <p>APPROVED: <i>[Signature]</i></p> <p>DRAWN: <i>[Signature]</i></p>	<p>DATE: JANUARY 2001</p> <p>CONTRACTING: NRW/CW</p> <p>DRG NO: EH/GR/ST-07</p>



PART PLAN OF ROOF SLAB
(SCALE: 1:100)

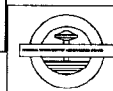
DO NOT SCALE

 NATIONAL WATER SUPPLY AND DRAINAGE BOARD THE PROJECT FOR THE REDUCTION OF NON-REVENUE WATER IN THE GREATER COLOMBO AREA		SUB PROJECT ELLIE HOUSE RESERVOIR	TITLE R/F DETAILS OF ROOF SLAB SHEET 02 OF 04
DESIGNED <i>[Signature]</i>	DRAWN RUKMANT	DATE JANUARY 2001	
CHECKED <i>[Signature]</i>	PW (NWS&DS) NMSDE <i>[Signature]</i>	CONTRACTING NRW/CW	
DV. TEAM LEADER <i>[Signature]</i>	AGM (N) NWSOR K. D. A. J.	DRG. No. EH/GR/ST-08	
TEAM LEADER <i>[Signature]</i>	DGM (N) NWSOR		



DO NOT SCALE

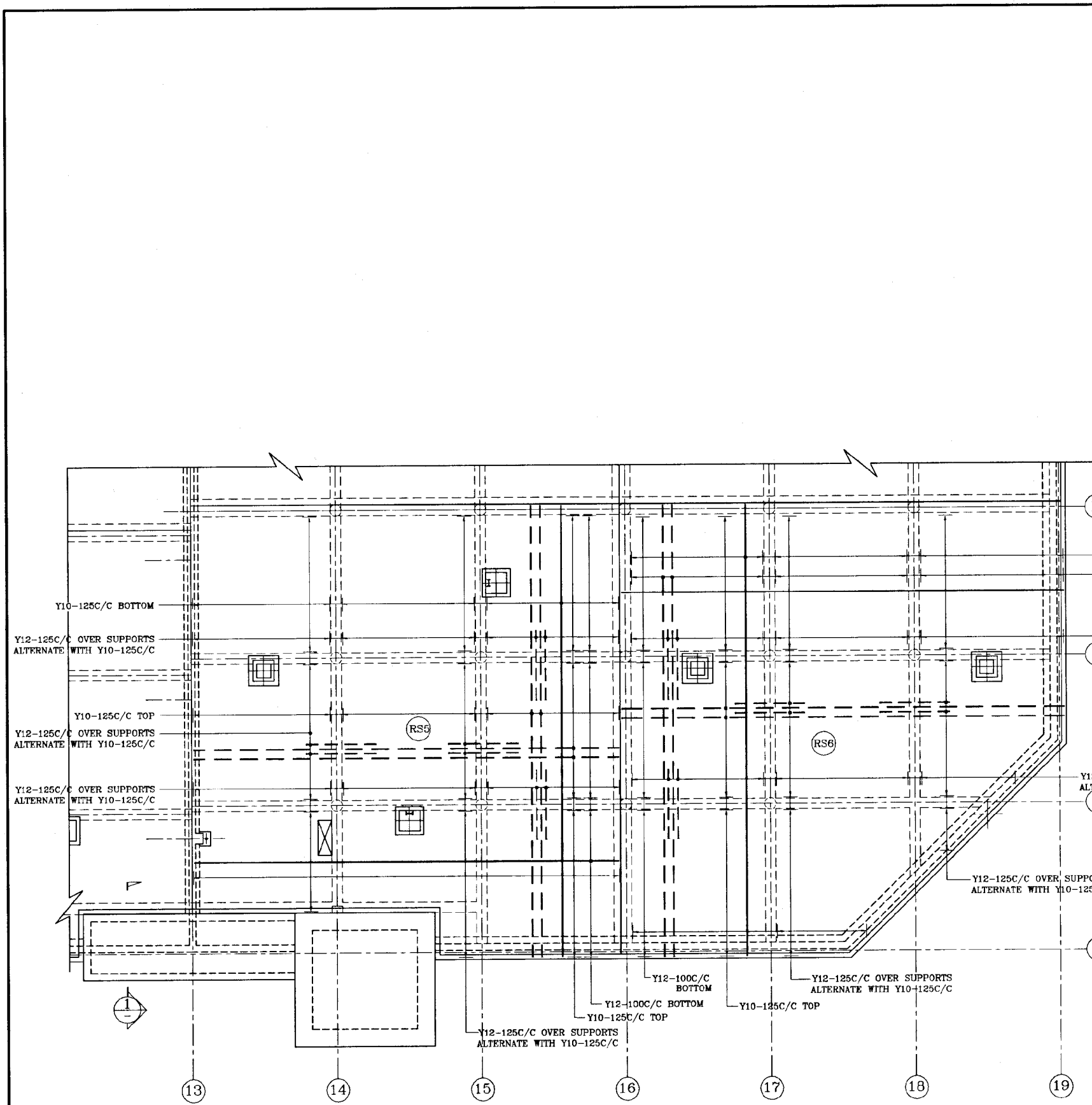
PART PLAN OF ROOF SLAB
(SCALE:- 1:100)



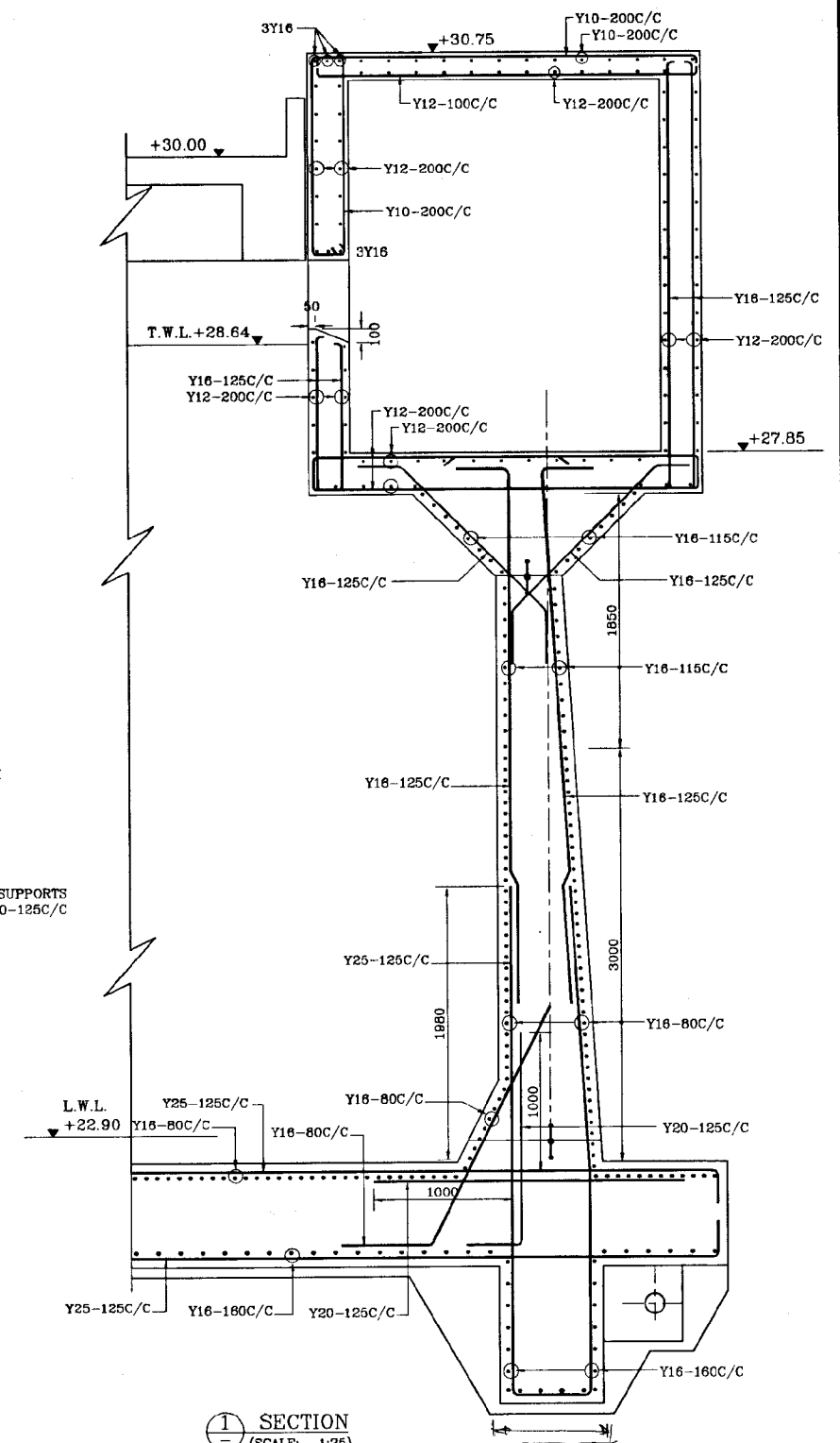
NATIONAL WATER SUPPLY AND DRAINAGE BOARD
THE PROJECT FOR THE REDUCTION OF NON-REVENUE WATER
IN THE GREATER COLOMBO AREA

JAPAN INTERNATIONAL COOPERATION AGENCY (JICA)
STUDY TEAM
NIHON SUIDO CONSULTANTS CO. LTD.,
TOKYO, JAPAN

REV	DESCRIPTION	SUB PROJECT		TITLE	
		ELLIE HOUSE RESERVOIR		R/F DETAILS OF ROOF SLAB	
				SHEET 03 OF 04	
DESIGNED	DRAWN	DATE	JANUARY 2001		
CHECKED	FM (SUPERVISOR) NAME	CONTRACT No	NRW/CW		
DT TEAM LEADER	AGM (P) NAME	DRG No	EH/GR/ST-09		
TEAM LEADER	DM (P) NAME				




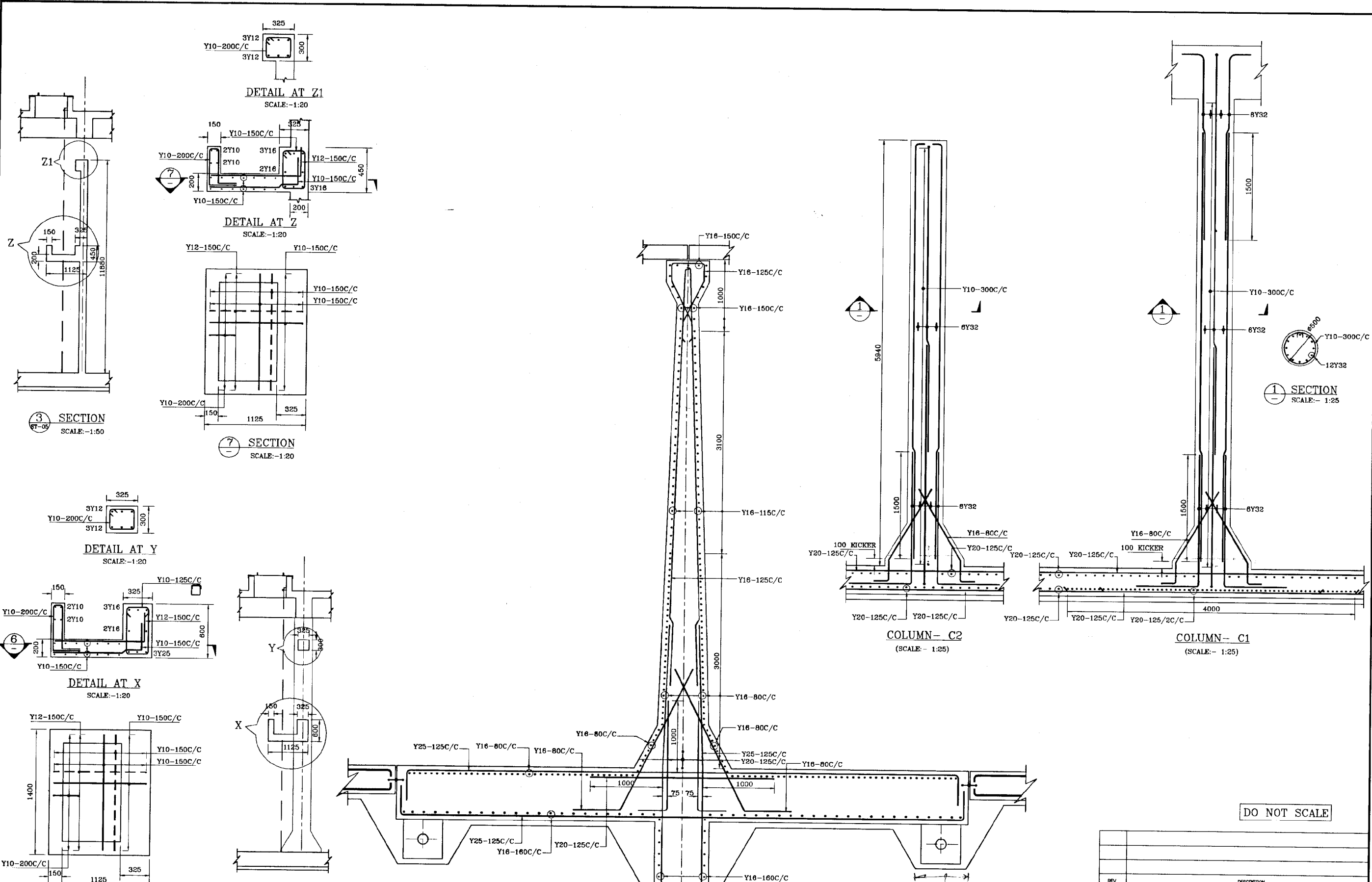
PART PLAN OF ROOF SLAB
(SCALE: 1:100)




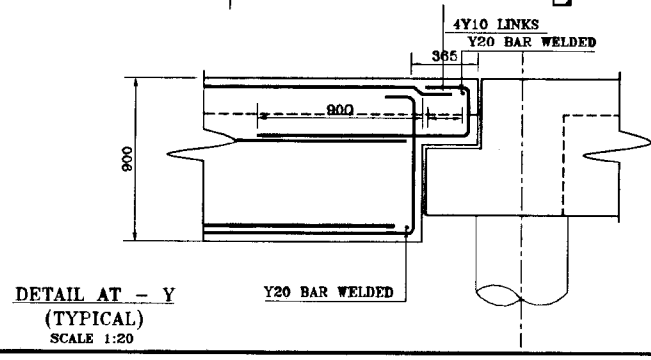
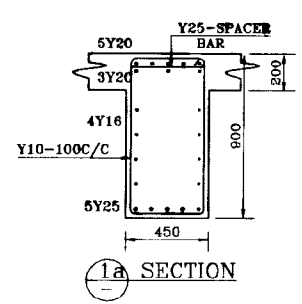
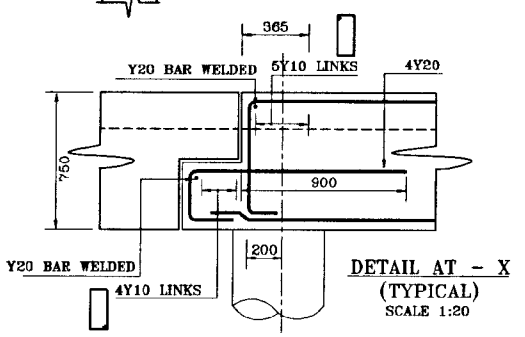
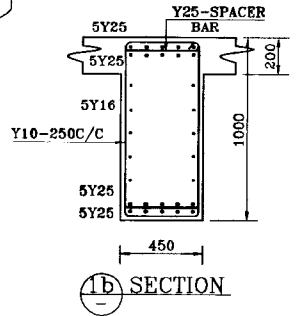
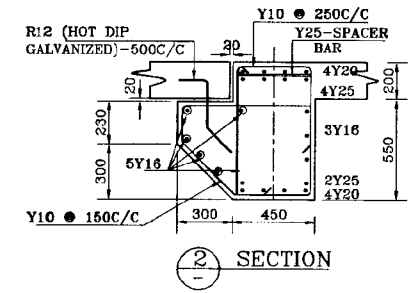
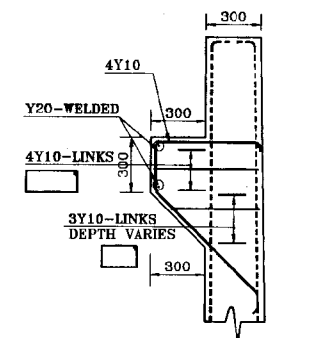
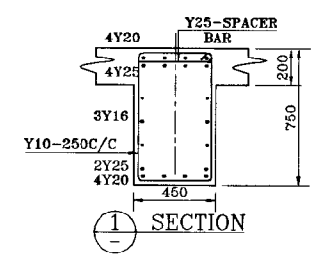
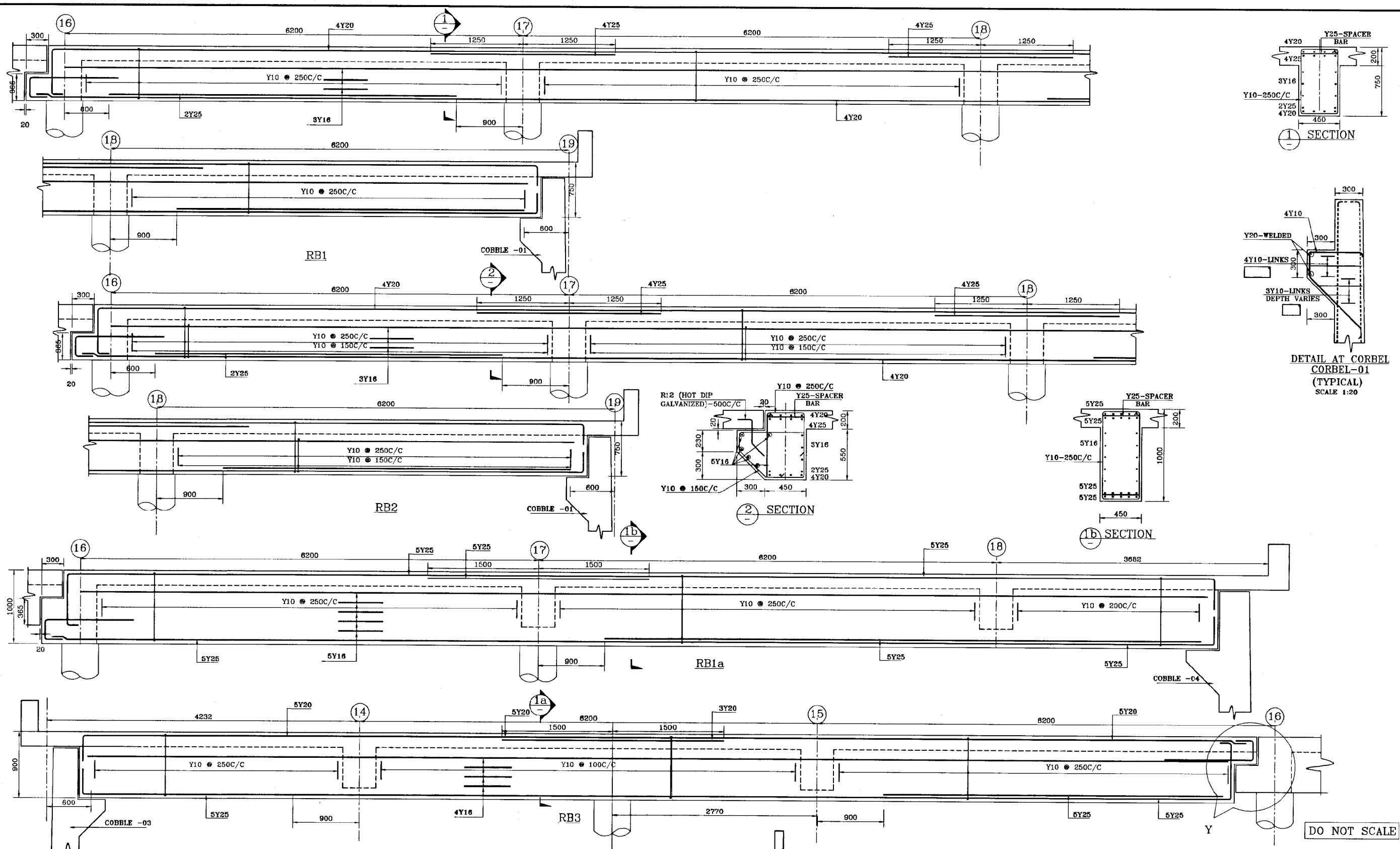
SECTION
(SCALE: 1:25)

DO NOT SCALE


 <p>NATIONAL WATER SUPPLY AND DRAINAGE BOARD THE PROJECT FOR THE REDUCTION OF NON-REVENUE WATER IN THE GREATER COLOMBO AREA</p>	SUB PROJECT		TITLE
	ELLIE HOUSE RESERVOIR		R/F DETAILS OF ROOF SLAB
DESIGNED		DRAWN	DATE
CHECKED		PM (NRWS/PS) NWSDB	JANUARY 2001
DY. TEAM LEADER		AGM (PS) NWSDB	CONTRACT NO. NRW/CW
TEAM LEADER		DGM (PS) NWSDB	DRG. No. EH/GR/ST-10
<p>JAPAN INTERNATIONAL COOPERATION AGENCY (JICA) STUDY TEAM</p> <p>NIHON SUIDO CONSULTANTS CO. LTD., TOKYO, JAPAN</p>		<p>SHEET 04 OF 04</p>	

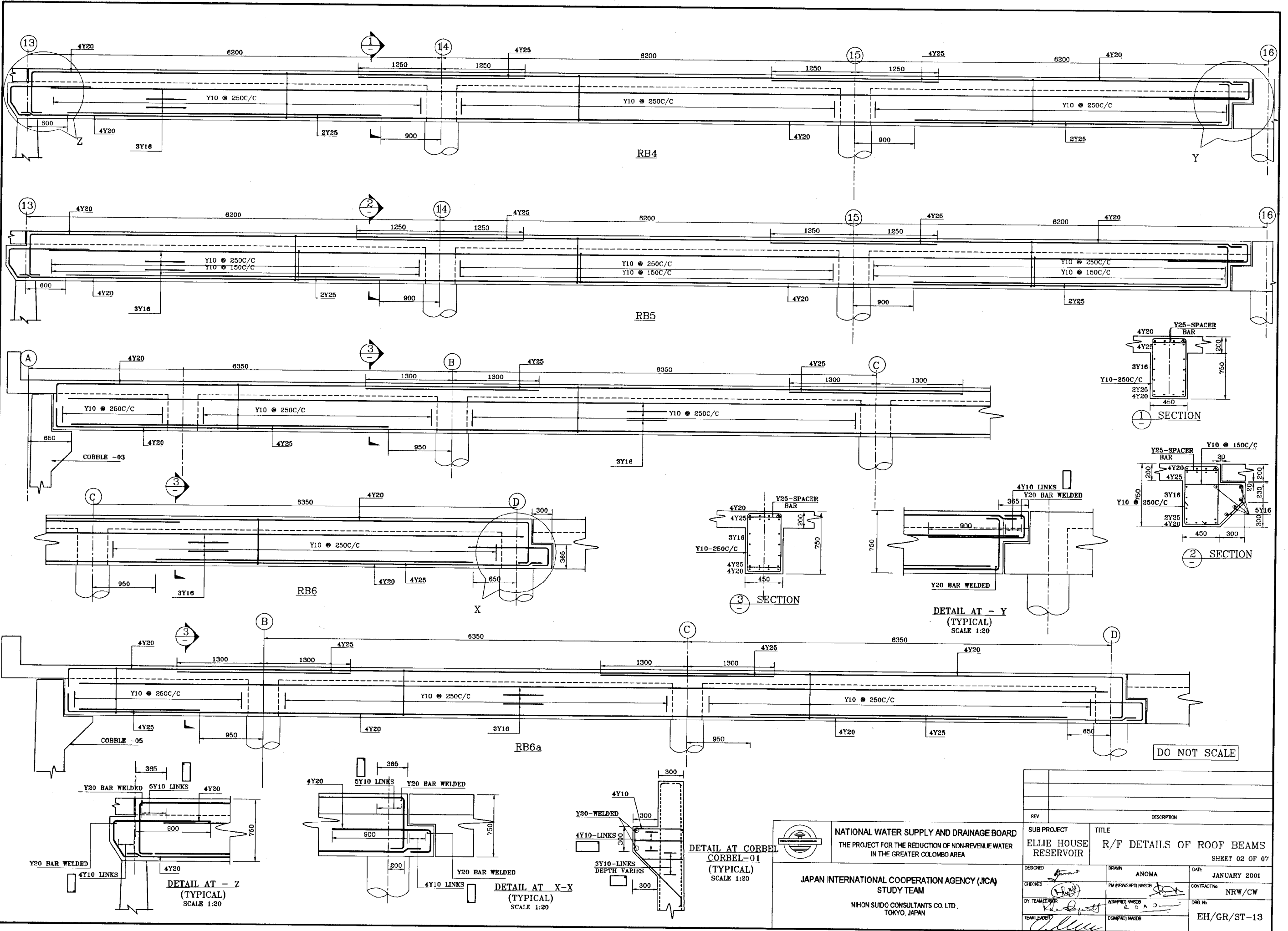



 NATIONAL WATER SUPPLY AND DRAINAGE BOARD THE PROJECT FOR THE REDUCTION OF NON-REVENUE WATER IN THE GREATER COLOMBO AREA		SUB PROJECT		TITLE	
		ELLE HOUSE RESERVOIR		R/F DETAILS OF CENTRE WALL, COLUMNS & LANDINGS	
DESIGNED	<i>[Signature]</i>	DRAWN	REUMANI	DATE	JANUARY 2001
CHECKED	<i>[Signature]</i>	PM (NEWS/PS) NWSDB	<i>[Signature]</i>	CONTRACT NO.	NRW/CW
BY TEAM LEADER	<i>[Signature]</i>	ADM/PS/ NWSDB	<i>[Signature]</i>	DRG No.	EH/GR/ST-11
TEAM LEADER	<i>[Signature]</i>	COMP/PS/ NWSDB	<i>[Signature]</i>		
JAPAN INTERNATIONAL COOPERATION AGENCY (JICA) STUDY TEAM NIHON SUIDO CONSULTANTS CO. LTD., TOKYO, JAPAN					

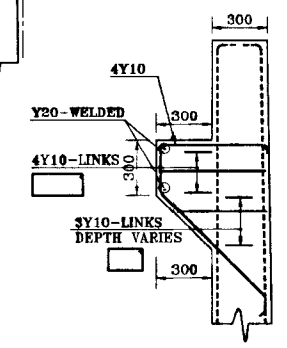
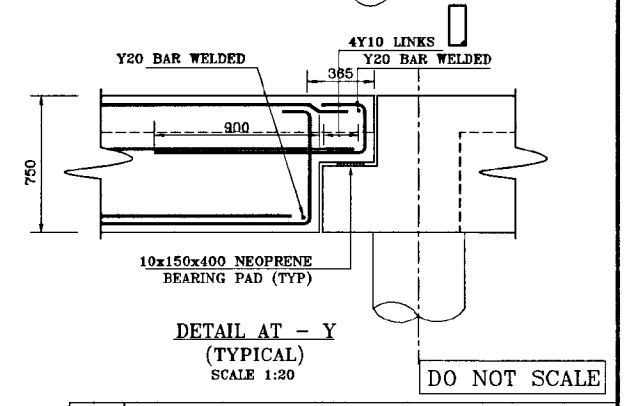
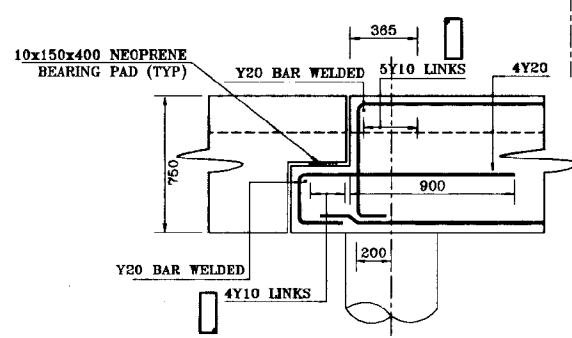
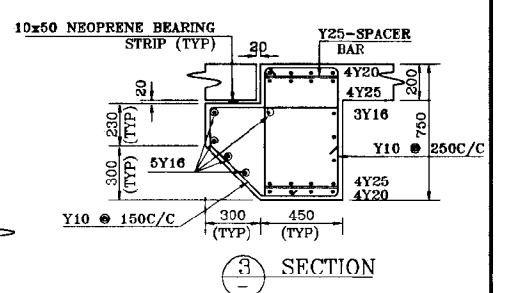
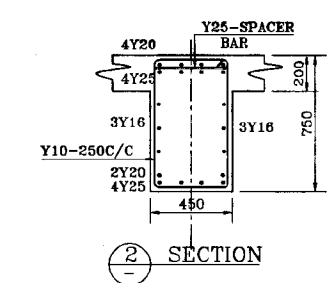
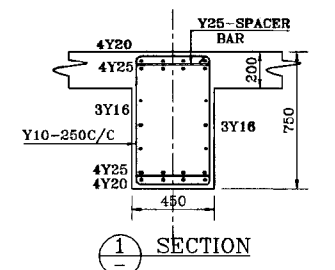
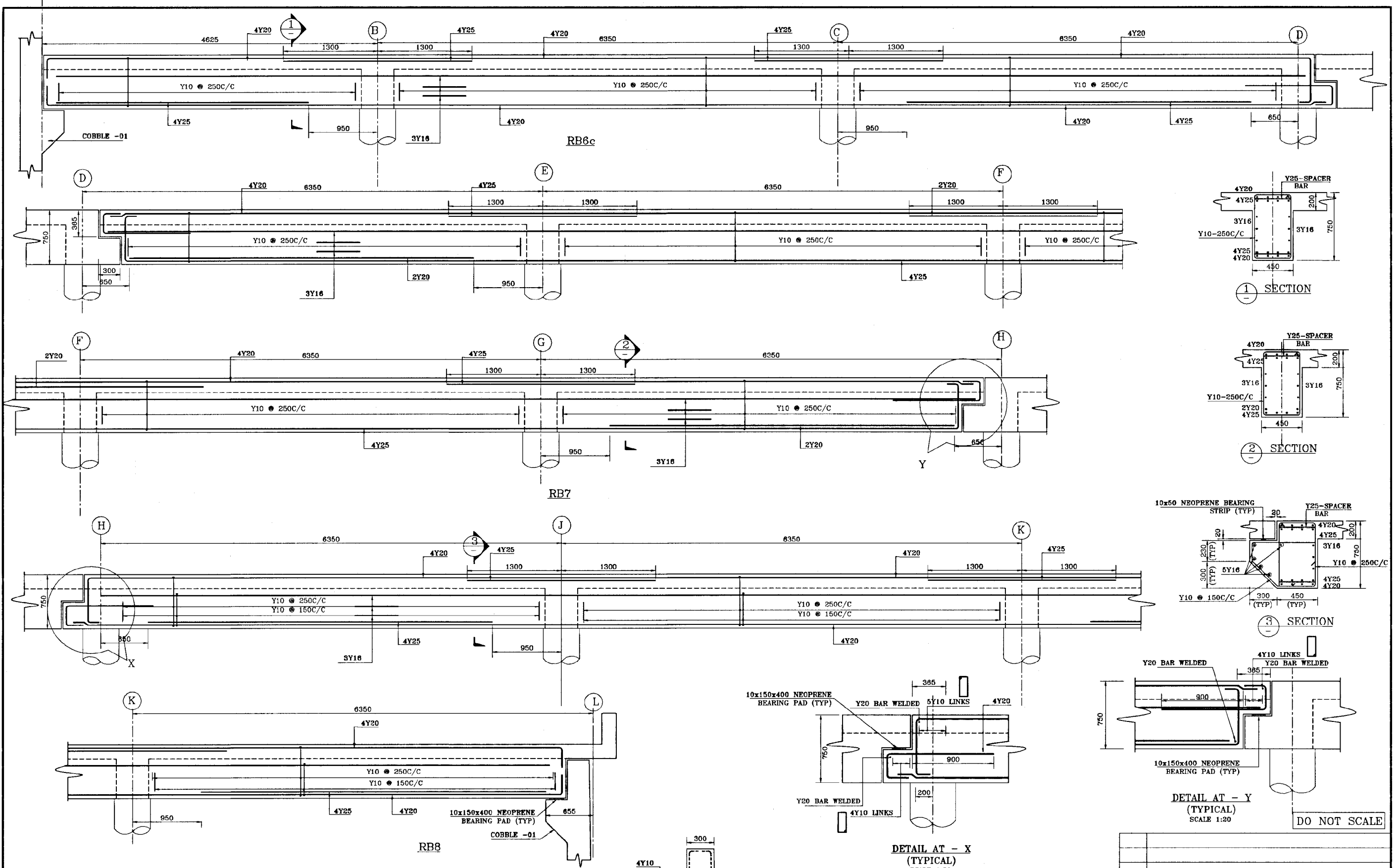


DO NOT SCALE

 <p>NATIONAL WATER SUPPLY AND DRAINAGE BOARD THE PROJECT FOR THE REDUCTION OF NON-REVENUE WATER IN THE GREATER COLOMBO AREA</p> <p>JAPAN INTERNATIONAL COOPERATION AGENCY (JICA) STUDY TEAM</p> <p>NIHON SUIDO CONSULTANTS CO. LTD., TOKYO, JAPAN</p>	REV	DESCRIPTION		
	SUB PROJECT	ELLIE HOUSE RESERVOIR	TITLE	R/F DETAILS OF ROOF BEAMS
	DESIGNED	ANOMA	DATE	JANUARY 2001
	CHECKED	PM (P/INSP) NMSD	CONTRACT NO.	NRW/CW
	BY TEAM LEADER	ASMP (P) NMSD	DRG NO.	EH/GR/ST-12
TEAM LEADER	DSMP (P) NMSD			



 NATIONAL WATER SUPPLY AND DRAINAGE BOARD THE PROJECT FOR THE REDUCTION OF NON-REVENUE WATER IN THE GREATER COLOMBO AREA		SUB PROJECT ELLIE HOUSE RESERVOIR	TITLE R/F DETAILS OF ROOF BEAMS
JAPAN INTERNATIONAL COOPERATION AGENCY (JICA) STUDY TEAM NIHON SUDO CONSULTANTS CO. LTD., TOKYO, JAPAN		SHEET 02 OF 07 DESIGNED: <i>[Signature]</i> CHECKED: <i>[Signature]</i> DR. TEAM LEADER: <i>[Signature]</i> TEAM LEADER: <i>[Signature]</i>	DATE: JANUARY 2001 CONTRACT NO: NRW/CW DRG NO: EH/GR/ST-13



REV	DESCRIPTION

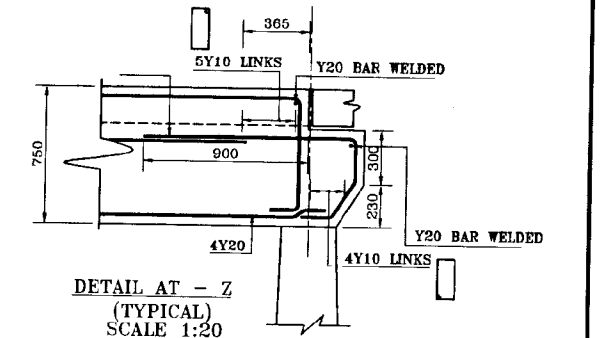
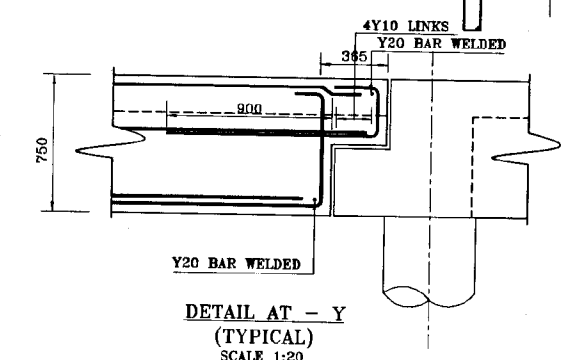
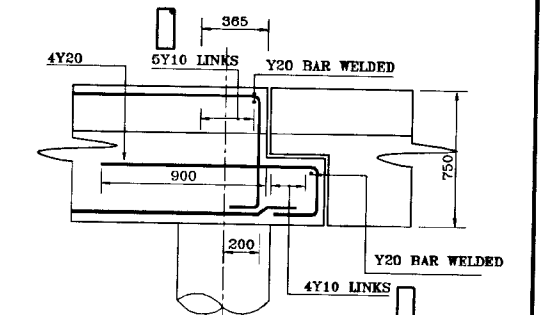
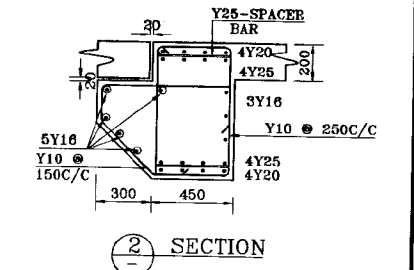
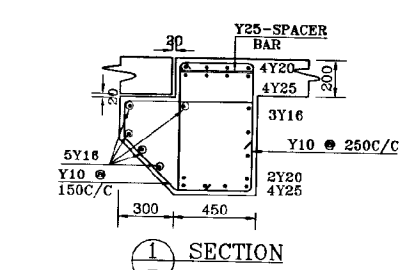
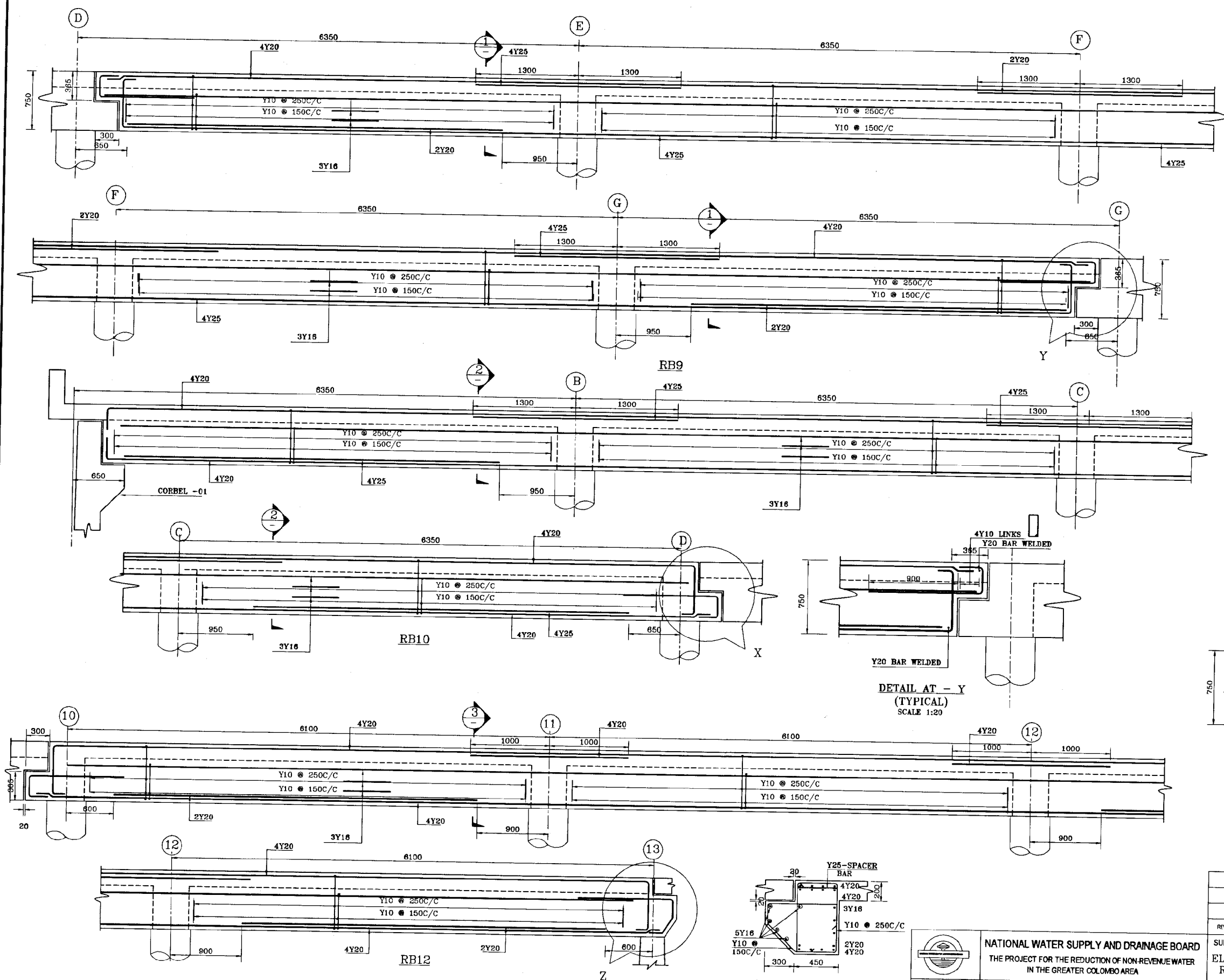
SUB PROJECT		TITLE	
ELLIE HOUSE RESERVOIR		R/F DETAILS OF ROOF BEAMS	
DESIGNED: <i>[Signature]</i>		DRAWN: ANOMA	
CHECKED: <i>[Signature]</i>		DATE: JANUARY 2001	
BY: TEAM LEADER		CONTRACT NO: NRW/CW	
TEAM LEADER: <i>[Signature]</i>		DRG NO: EH/GR/ST-14	

NATIONAL WATER SUPPLY AND DRAINAGE BOARD
 THE PROJECT FOR THE REDUCTION OF NON-REVENUE WATER
 IN THE GREATER COLOMBO AREA

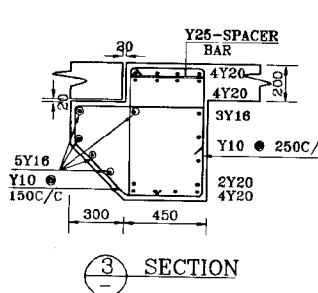
JAPAN INTERNATIONAL COOPERATION AGENCY (JICA)
 STUDY TEAM

NIHON SUDO CONSULTANTS CO. LTD.,
 TOKYO, JAPAN

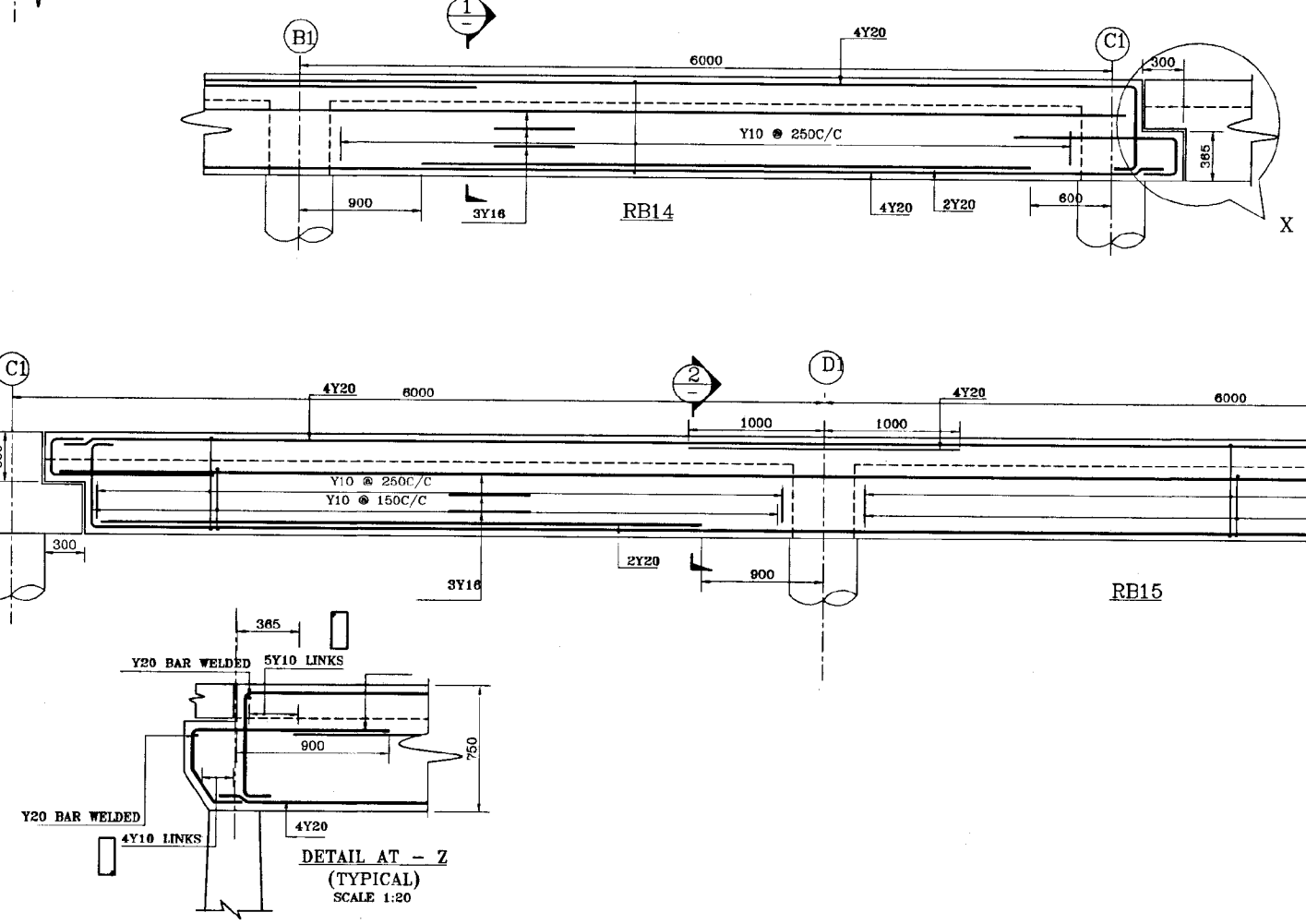
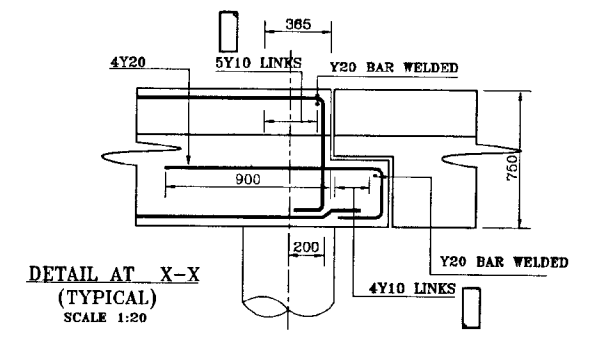
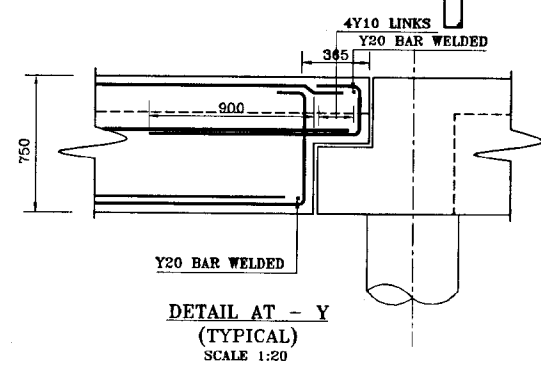
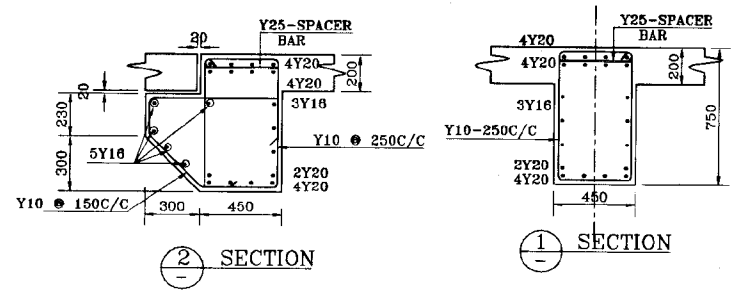
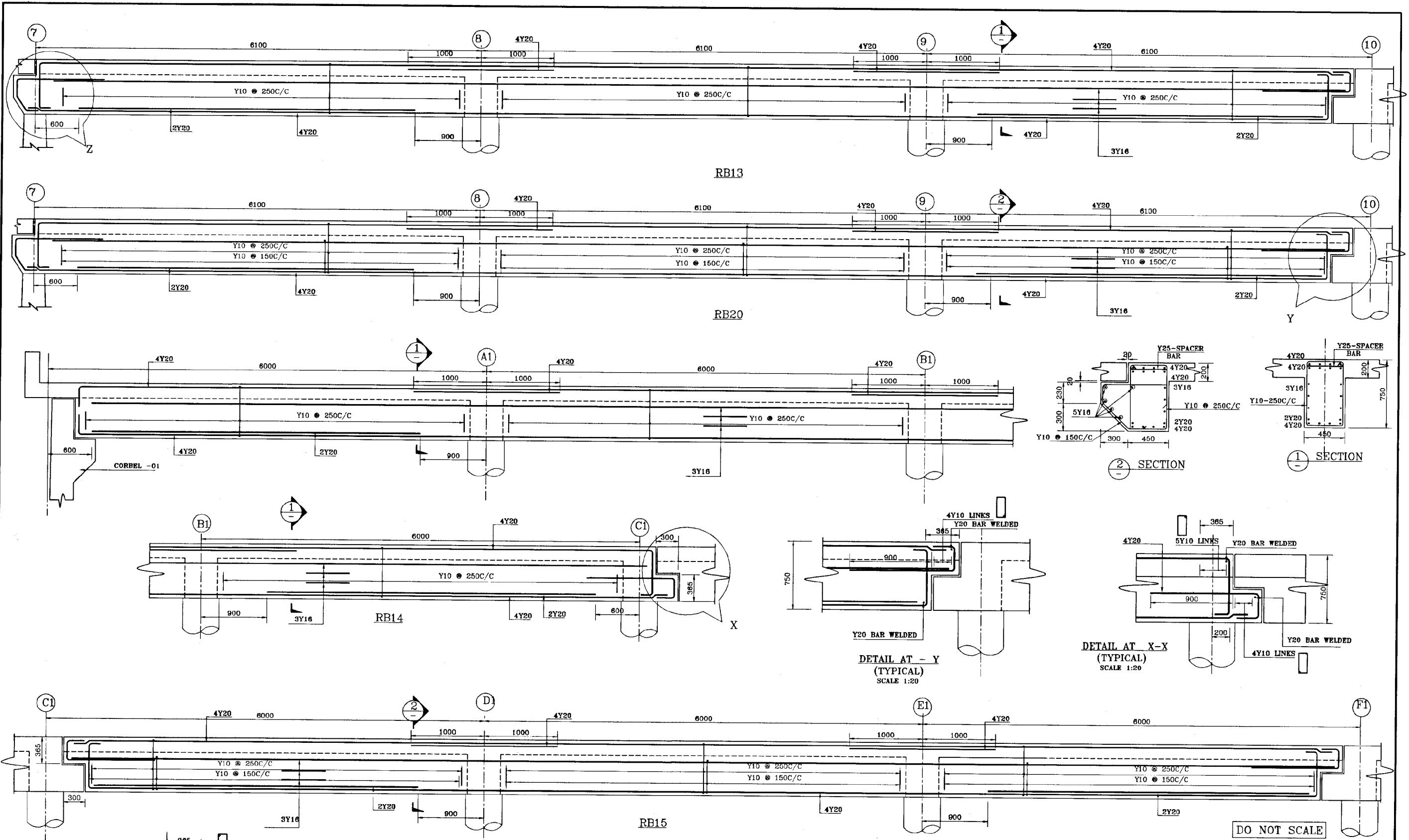
DO NOT SCALE



DO NOT SCALE

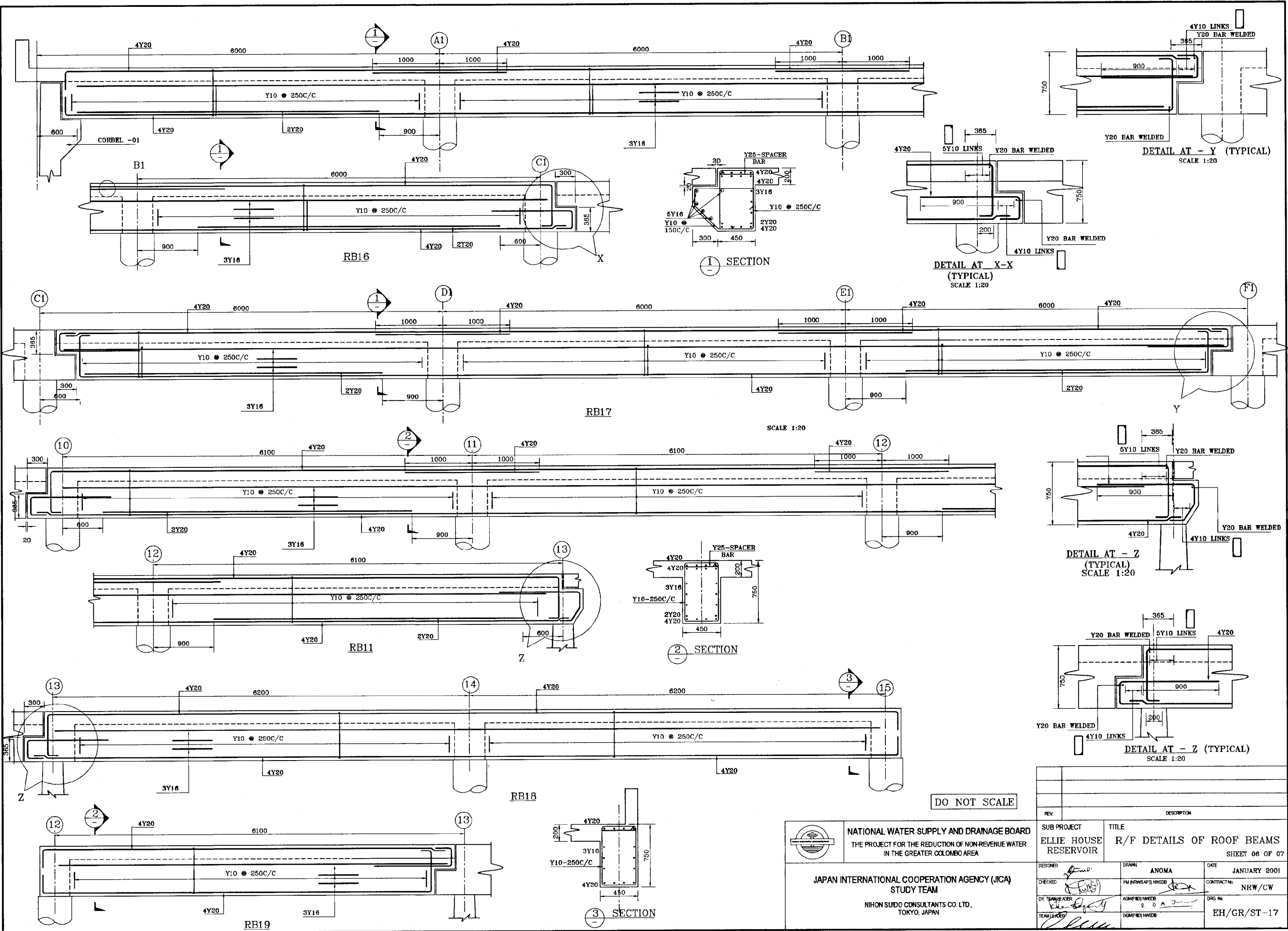


		NATIONAL WATER SUPPLY AND DRAINAGE BOARD THE PROJECT FOR THE REDUCTION OF NON-REVENUE WATER IN THE GREATER COLOMBO AREA	
JAPAN INTERNATIONAL COOPERATION AGENCY (JICA) STUDY TEAM NISON SUIDO CONSULTANTS CO. LTD., TOKYO, JAPAN		SUB PROJECT ELLIE HOUSE RESERVOIR	TITLE R/F DETAILS OF ROOF BEAMS SHEET 04 OF 07
DESIGNED	DRAWN	DATE	ANOMA
CHECKED	PM IN/MS/PS/MS/DB	CONTRACT NO.	NRW/CW
DR. TEAM LEADER	ACCOMP. MEMBER	DRG. NO.	
TEAM LEADER	COMP. MEMBER		EH/GR/ST-15



REV	DESCRIPTION

		NATIONAL WATER SUPPLY AND DRAINAGE BOARD THE PROJECT FOR THE REDUCTION OF NON-REVENUE WATER IN THE GREATER COLOMBO AREA	
JAPAN INTERNATIONAL COOPERATION AGENCY (JICA) STUDY TEAM		ELLIE HOUSE RESERVOIR R/F DETAILS OF ROOF BEAMS SHEET 05 OF 07	
DESIGNED	ANOMA	DATE	JANUARY 2001
CHECKED	PM (NRW/APS) NWSB	CONTRACTING	NRW/CW
BY TEAM LEADER	ACAP/PSD NWSB	DRG. No.	EH/GR/ST-16
TEAM LEADER	COMPILED NWSB		

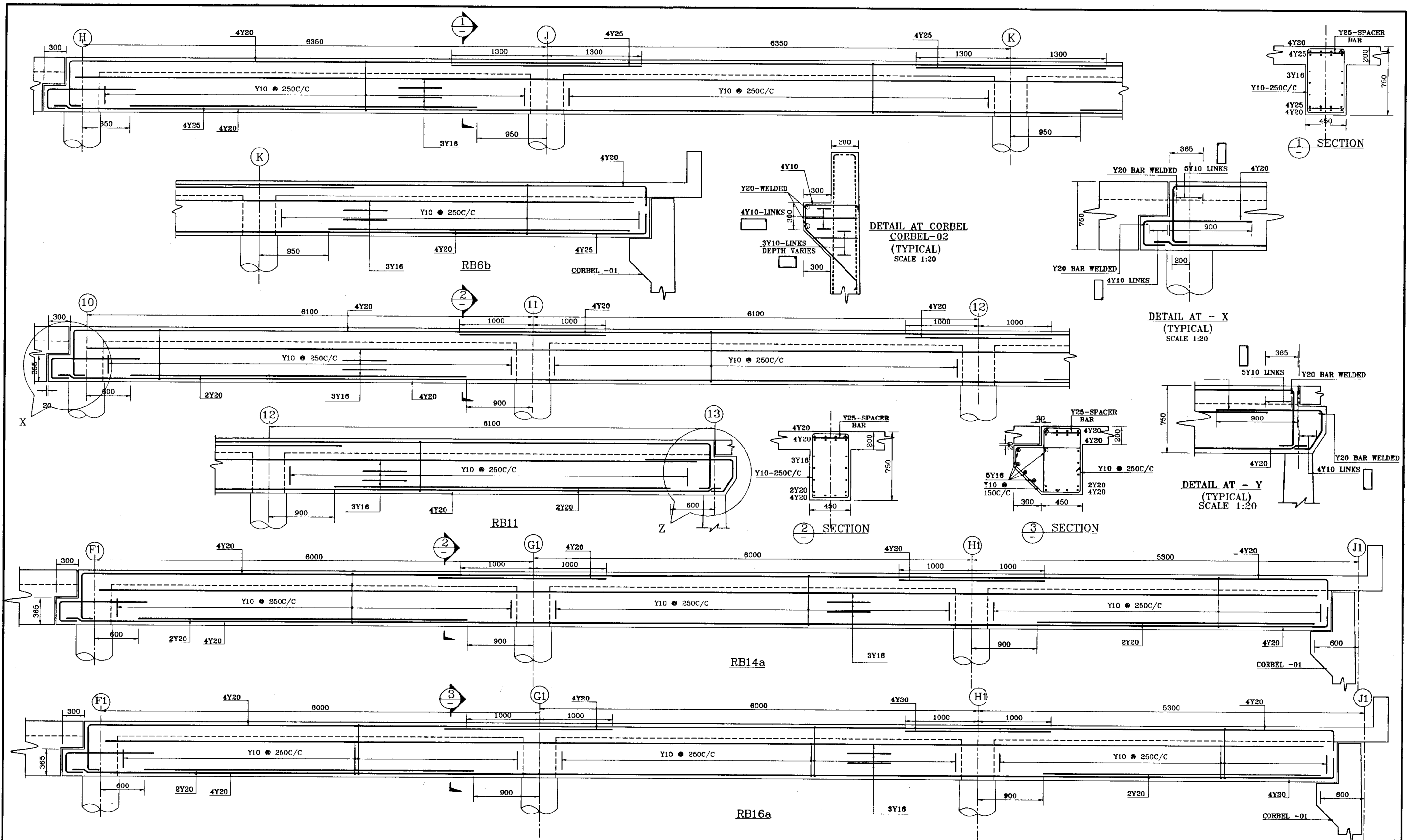


NATIONAL WATER SUPPLY AND DRAINAGE BOARD
THE PROJECT FOR THE REDUCTION OF NON-REVENUE WATER
IN THE GREATER COLOMBO AREA


JAPAN INTERNATIONAL COOPERATION AGENCY (JICA)
STUDY TEAM
NIHON SUDO CONSULTANTS CO. LTD.,
TOKYO, JAPAN

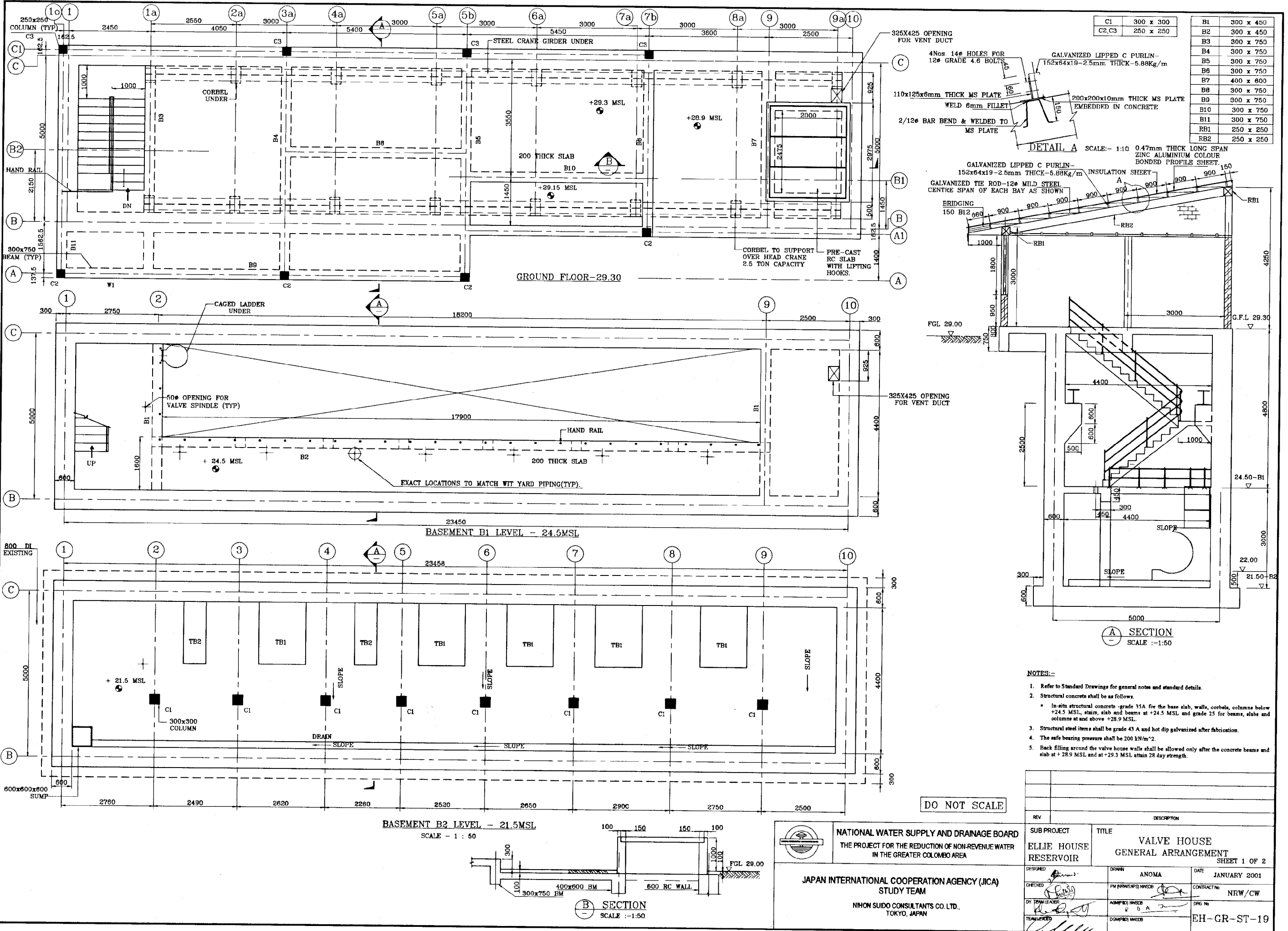
REV.	DESCRIPTION

SUB PROJECT ELLIE HOUSE RESERVOIR		TITLE R/F DETAILS OF ROOF BEAMS	
DESIGNED <i>[Signature]</i>		DATE JANUARY 2001	SHEET 06 OF 07
CHECKED <i>[Signature]</i>	DRAWN ANOMA	CONTRACTOR NRW/CW	
BY TEAM LEADER <i>[Signature]</i>	AGM/ID/MSDB P. D. A. J.	DRG. No. EH/GR/ST-17	
TEAM LEADER <i>[Signature]</i>	DGM/ID/MSDB		

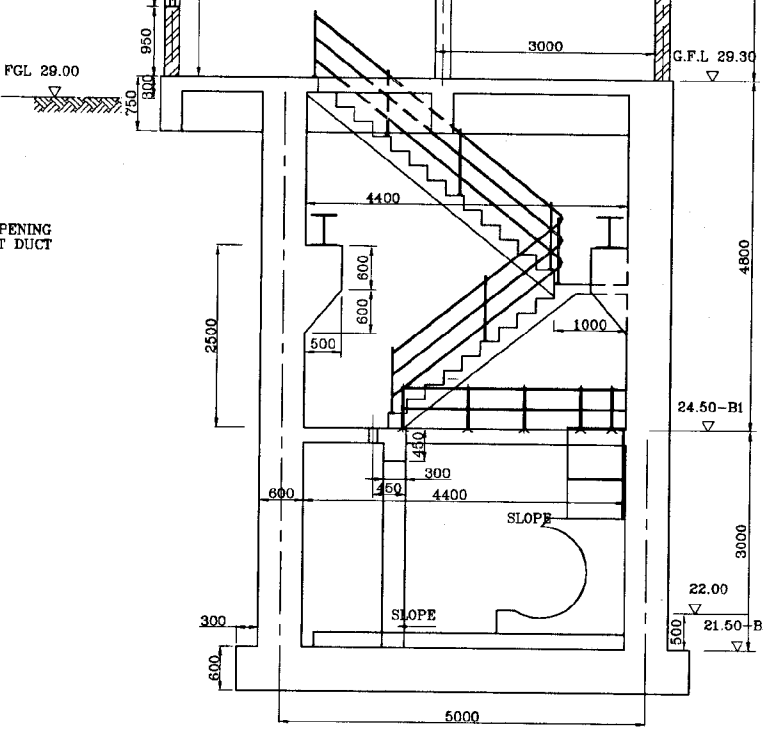
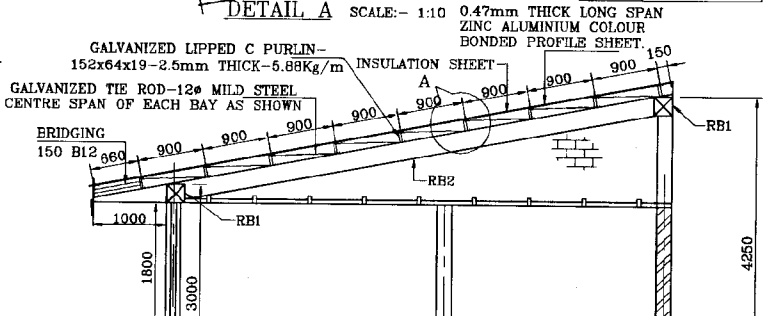


DO NOT SCALE

 <p>NATIONAL WATER SUPPLY AND DRAINAGE BOARD THE PROJECT FOR THE REDUCTION OF NON-REVENUE WATER IN THE GREATER COLOMBO AREA</p>	<p>SUB PROJECT ELLIE HOUSE RESERVOIR</p>		<p>TITLE R/F DETAILS OF ROOF BEAMS SHEET 07 OF 07</p>	
	<p>DESIGNED: <i>[Signature]</i> CHECKED: <i>[Signature]</i> BY: <i>[Signature]</i> TEAM LEADER: <i>[Signature]</i> TEAM MEMBER: <i>[Signature]</i></p>		<p>DATE: JANUARY 2001 CONTRACT NO: NRW/CW DRG. NO: EH/GR/ST-18</p>	
<p>JAPAN INTERNATIONAL COOPERATION AGENCY (JICA) STUDY TEAM NIHON SUIDO CONSULTANTS CO. LTD., TOKYO, JAPAN</p>				



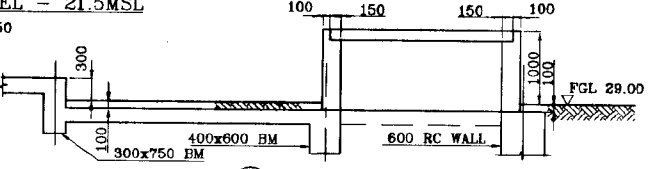
C1	300 x 300	B1	300 x 450
C2,C3	250 x 250	B2	300 x 450
		B3	300 x 750
		B4	300 x 750
		B5	300 x 750
		B6	300 x 750
		B7	400 x 600
		B8	300 x 750
		B9	300 x 750
		B10	300 x 750
		B11	300 x 750
		RB1	250 x 250
		RB2	250 x 250



- NOTES:-**
- Refer to Standard Drawings for general notes and standard details.
 - Structural concrete shall be as follows.
 - In-situ structural concrete - grade 35A for the base slab, walls, corbels, columns below +24.5 MSL, stairs, slab and beams at +24.5 MSL and grade 25 for beams, slabs and columns at and above +28.9 MSL.
 - Structural steel items shall be grade 43 A and hot dip galvanized after fabrication.
 - The safe bearing pressure shall be 200 kN/m².
 - Back filling around the valve house walls shall be allowed only after the concrete beams and slab at +28.9 MSL and at +29.3 MSL attain 28 day strength.

DO NOT SCALE

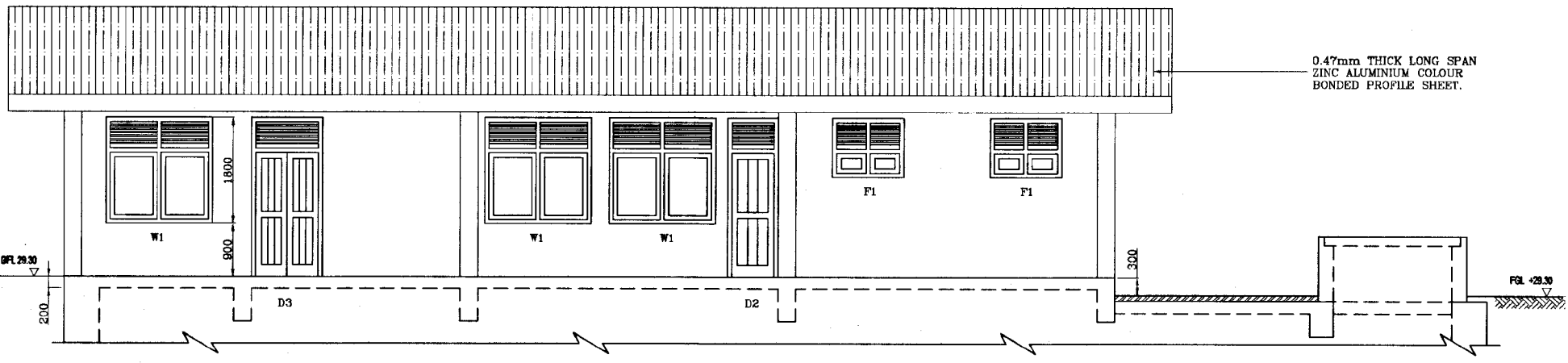
BASEMENT B2 LEVEL - 21.5MSL
SCALE - 1 : 50



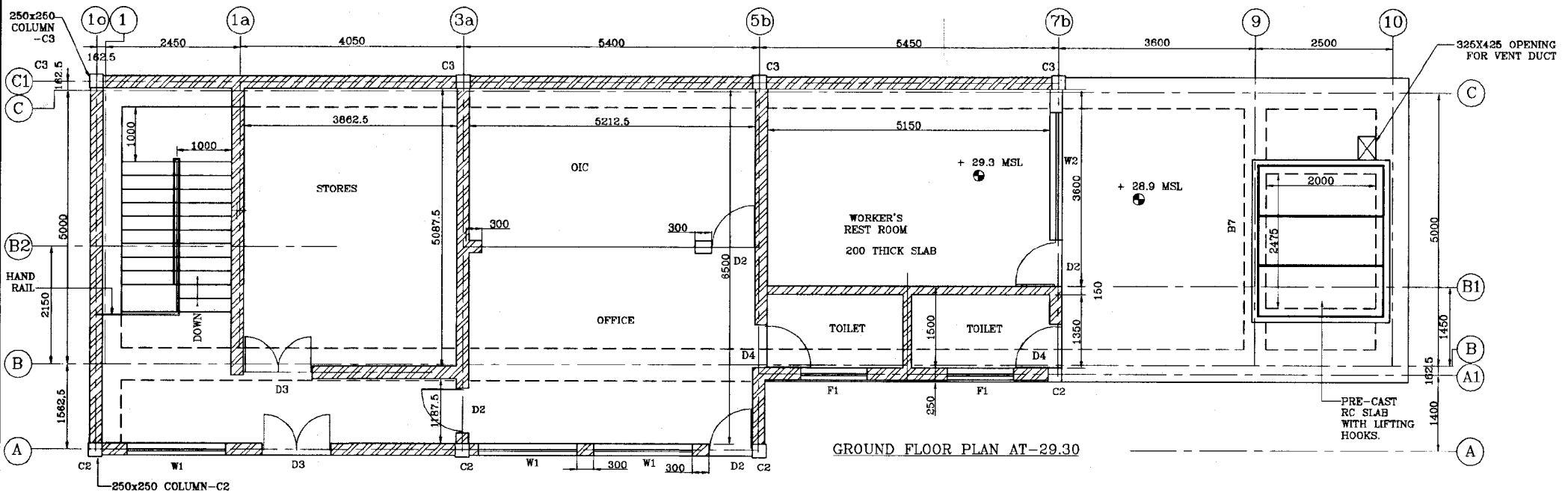
B SECTION
SCALE - 1:1.50

<p>NATIONAL WATER SUPPLY AND DRAINAGE BOARD THE PROJECT FOR THE REDUCTION OF NON-REVENUE WATER IN THE GREATER COLOMBO AREA</p>		<p>SUB PROJECT TITLE</p> <p>ELLIE HOUSE RESERVOIR VALVE HOUSE GENERAL ARRANGEMENT</p>	
		<p>SHEET 1 OF 2</p>	
DESIGNED	ANOMA	DATE	JANUARY 2001
CHECKED	PW (NRWS/APS) MNSB	CONTRACTING	NRW/CW
BY TEAM LEADER	AGM/PSD MNSB	DRG No.	
TEAM LEADER	DOM/PSD MNSB		EH-GR-ST-19

JAPAN INTERNATIONAL COOPERATION AGENCY (JICA)
STUDY TEAM
 NIHON SUIDO CONSULTANTS CO. LTD.,
 TOKYO, JAPAN




FRONT ELEVATION
SCALE - 1 : 50

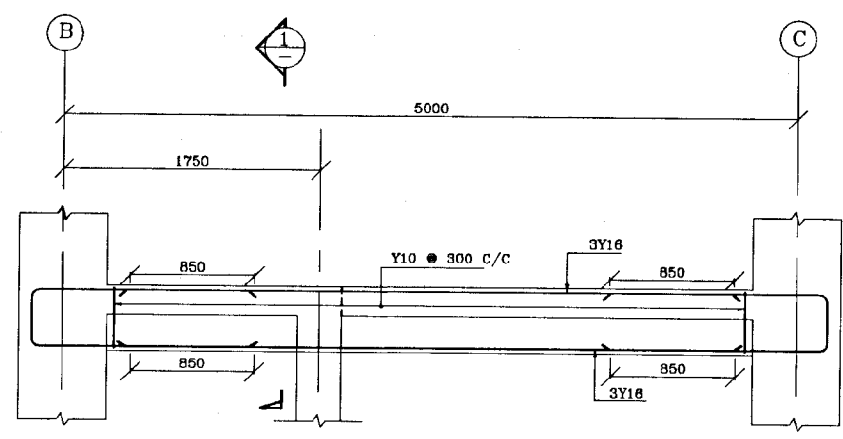


GROUND FLOOR PLAN AT -29.30

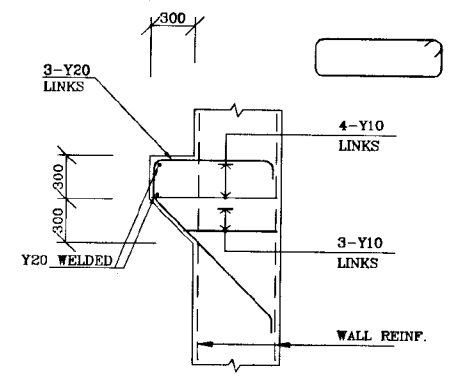
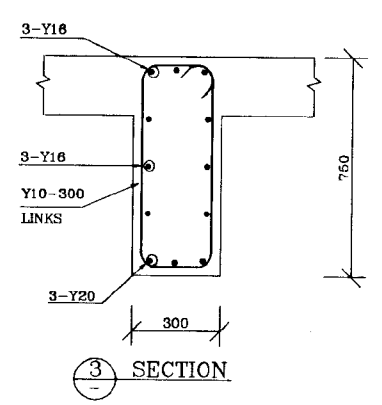
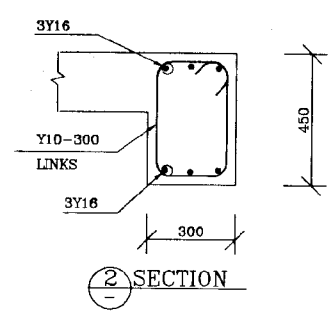
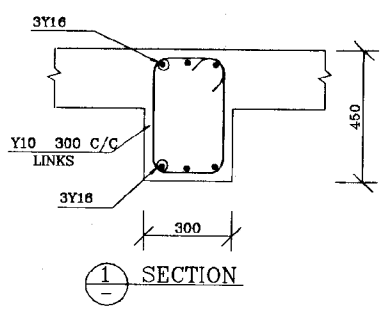
NOTE:
FOR DETAILS OF DOORS & WINDOWS
REFER DRG. NO. EH/GR/A-03.

DO NOT SCALE

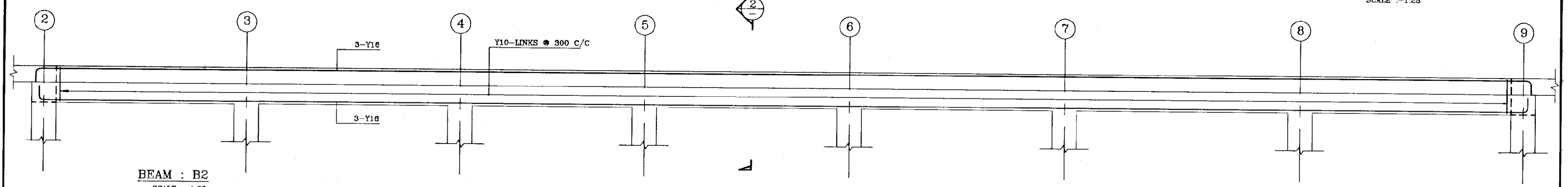
 <p>NATIONAL WATER SUPPLY AND DRAINAGE BOARD THE PROJECT FOR THE REDUCTION OF NON-REVENUE WATER IN THE GREATER COLOMBO AREA</p>	SUB PROJECT ELLIE HOUSE RESERVOIR		TITLE VALVE HOUSE GENERAL ARRANGEMENT SHEET 2 OF 2	
	DESIGNED <i>[Signature]</i>	DRAWN ANOMA	DATE JANUARY 2001	CONTRACT NO. NRW/CW
<p>JAPAN INTERNATIONAL COOPERATION AGENCY (JICA) STUDY TEAM</p> <p>NIHON SUIDO CONSULTANTS CO. LTD., TOKYO, JAPAN</p>		CHECKED <i>[Signature]</i>	APPROVED/INCHARGE K. D. A.	DRG. No. EH-GR-ST-20
		BY TEAM LEADER <i>[Signature]</i>	APPROVED/INCHARGE K. D. A.	



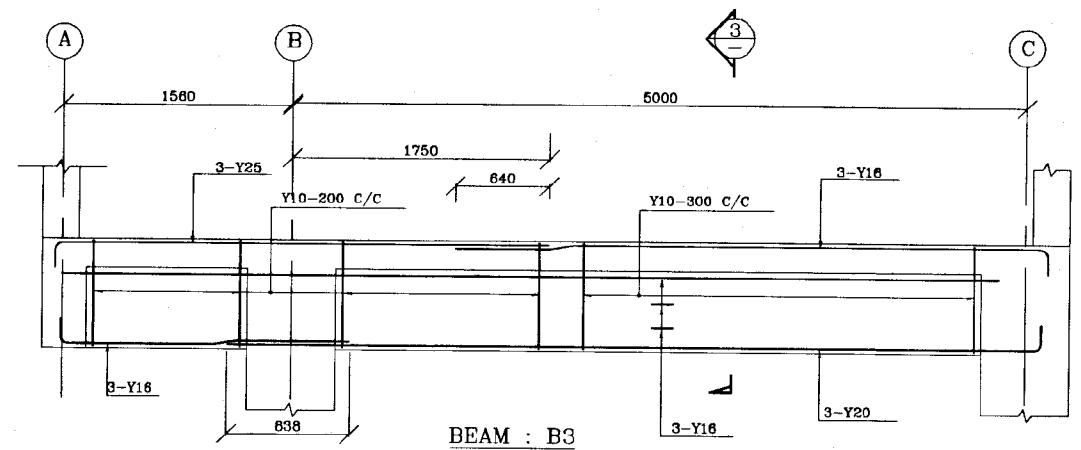
BEAM : B1
SCALE : -1:25



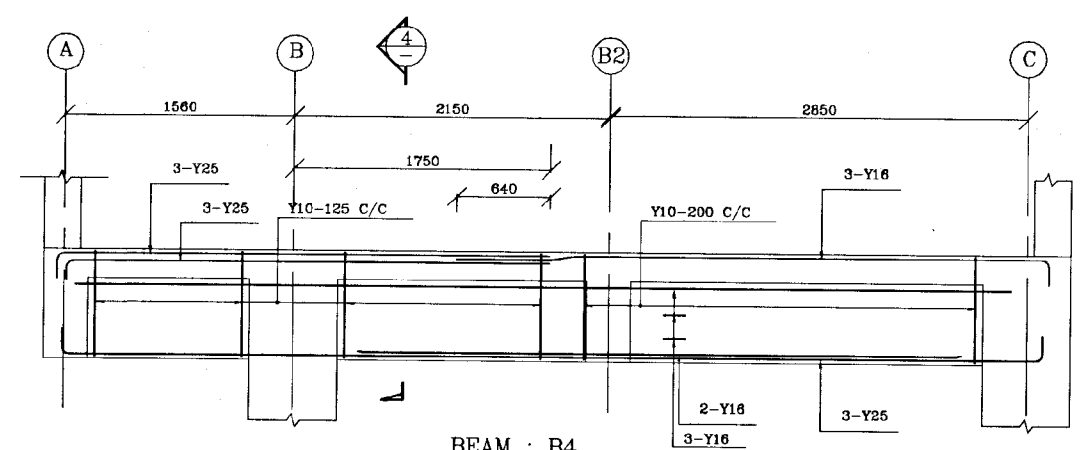
CORBEL DETAIL.
SCALE : -1:25



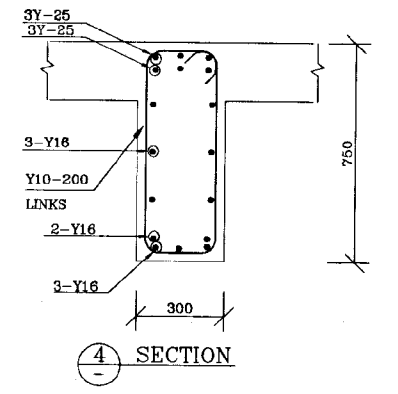
BEAM : B2
SCALE : -1:25



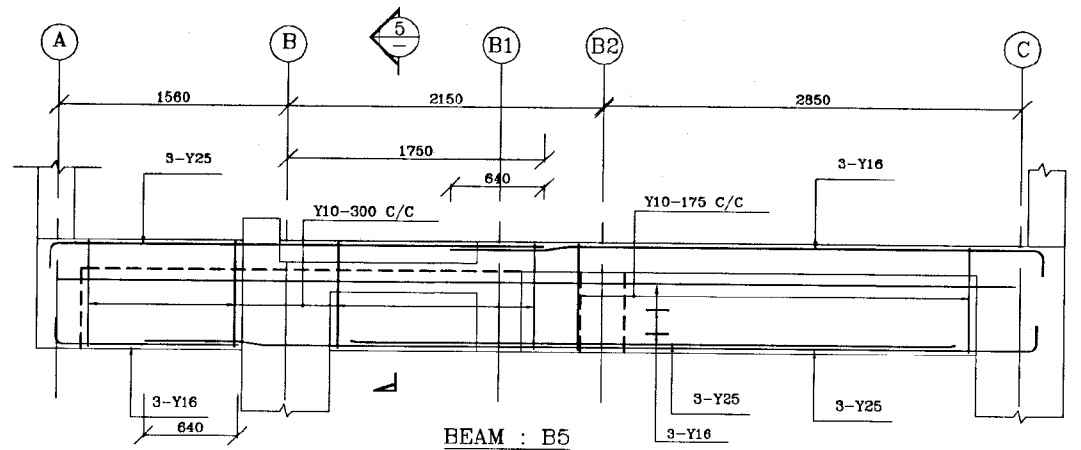
BEAM : B3
SCALE : -1:25



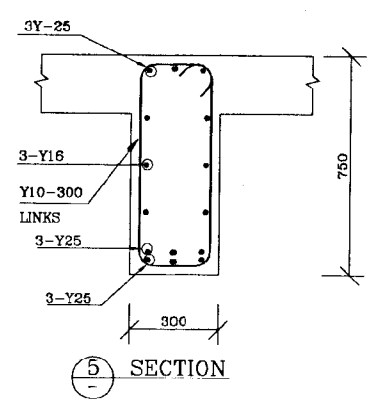
BEAM : B4
SCALE : -1:25



SECTION 4



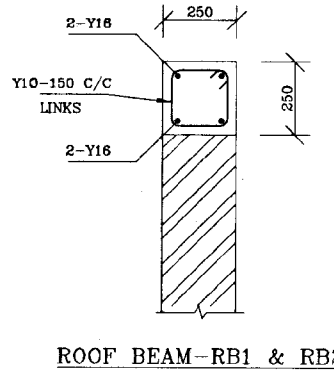
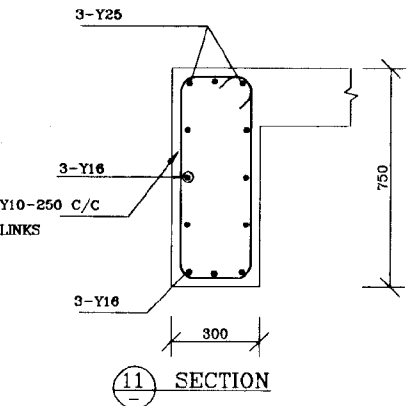
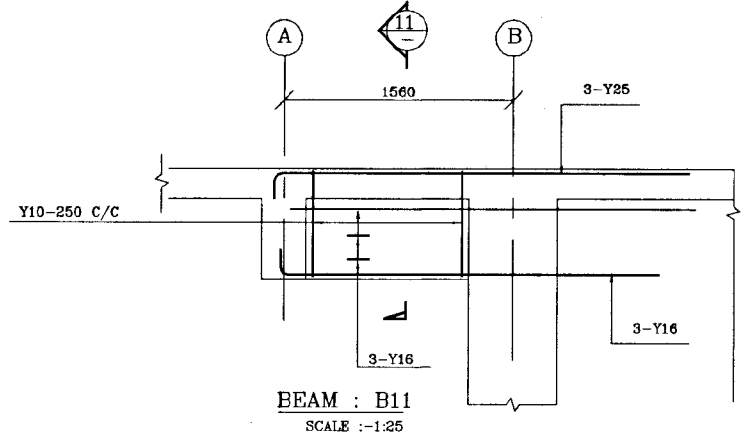
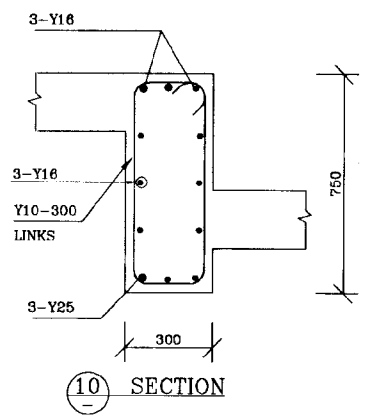
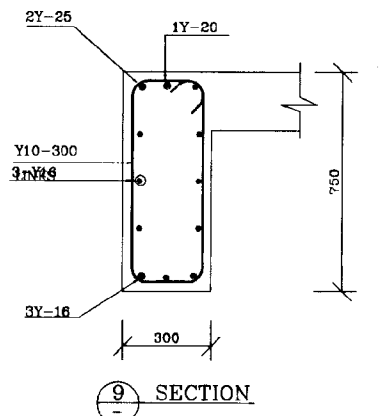
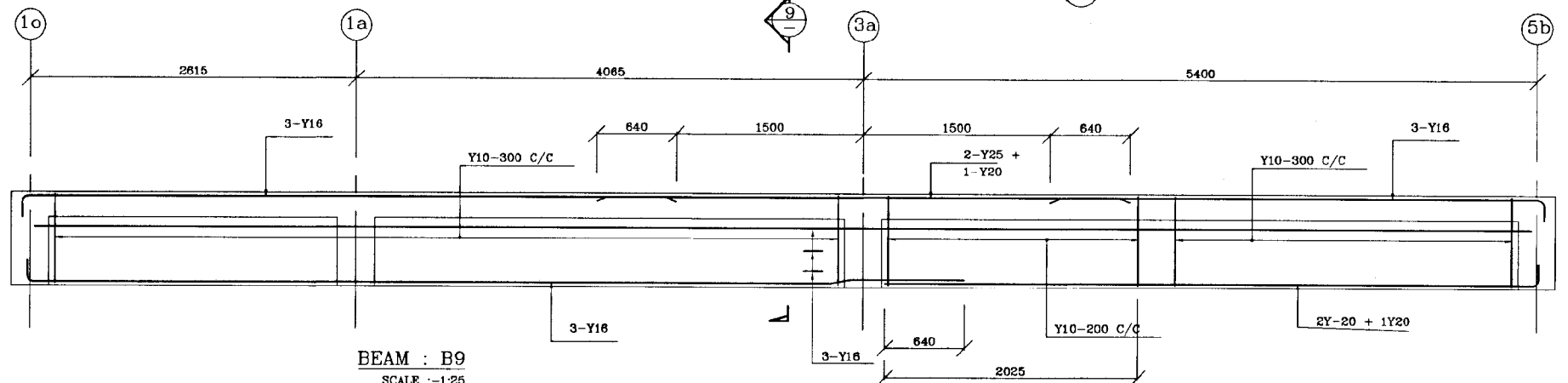
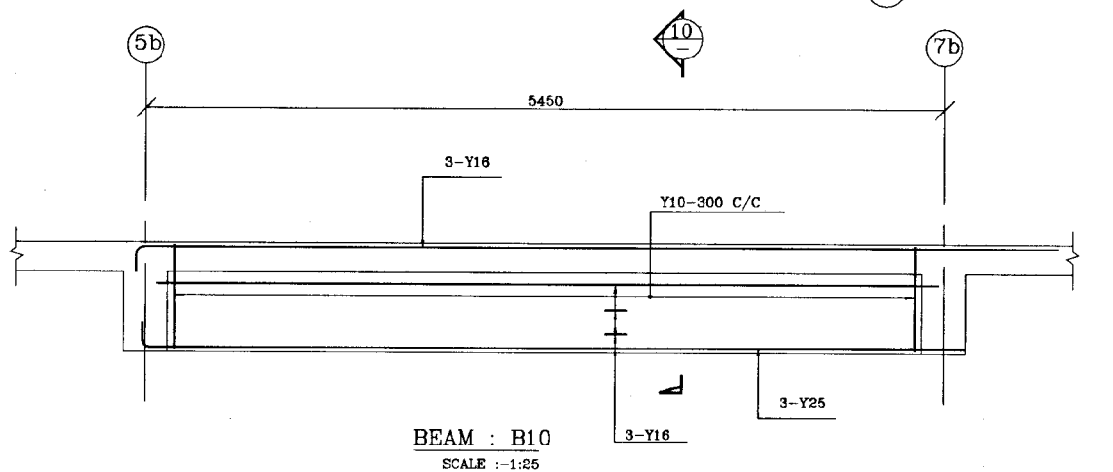
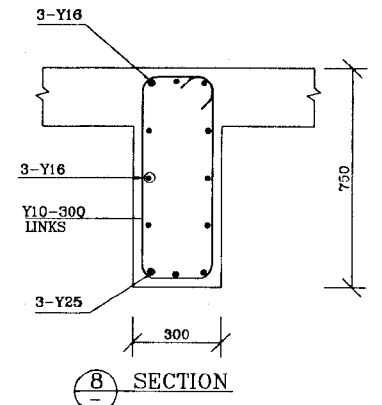
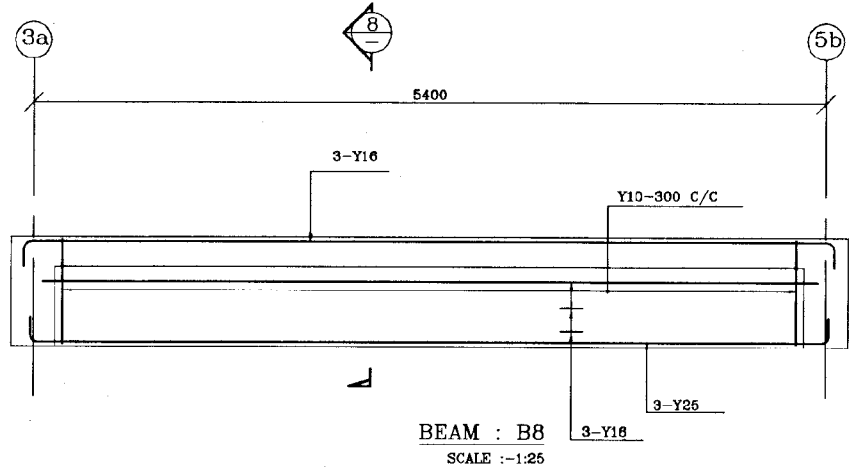
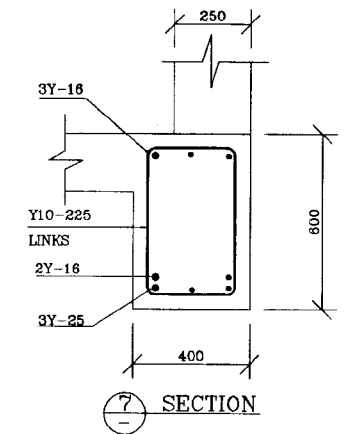
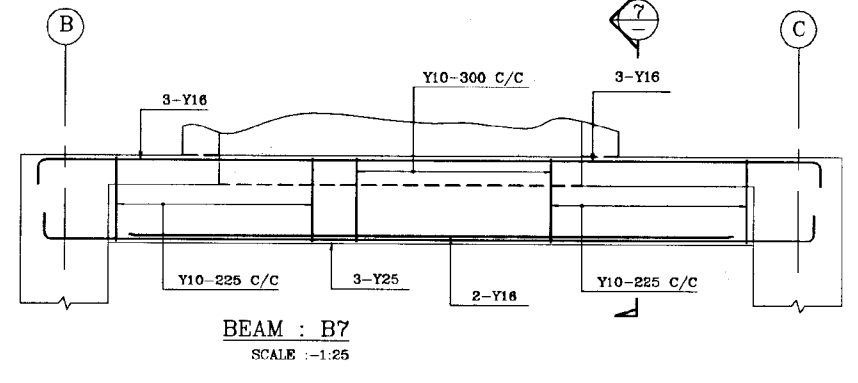
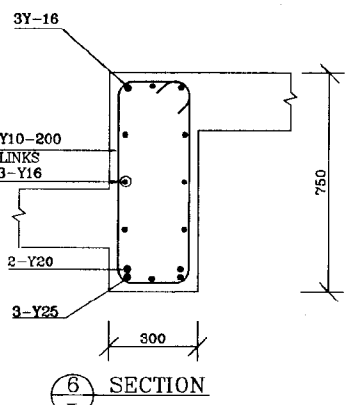
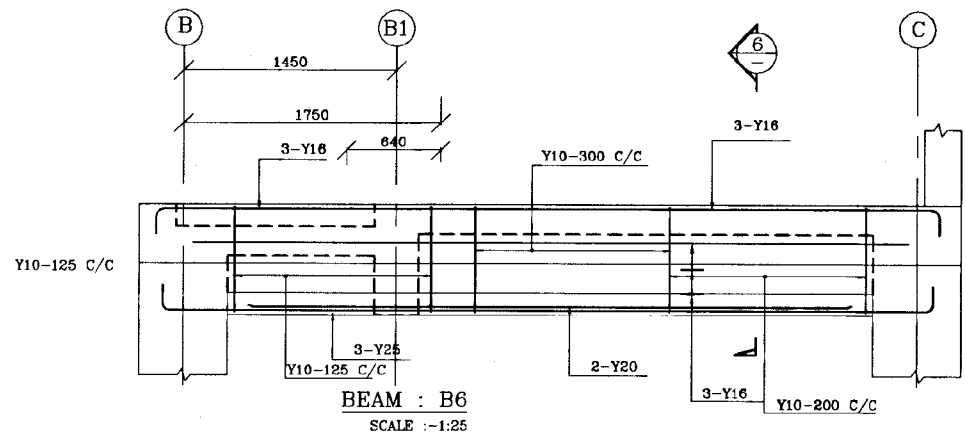
BEAM : B5
SCALE : -1:25



SECTION 5

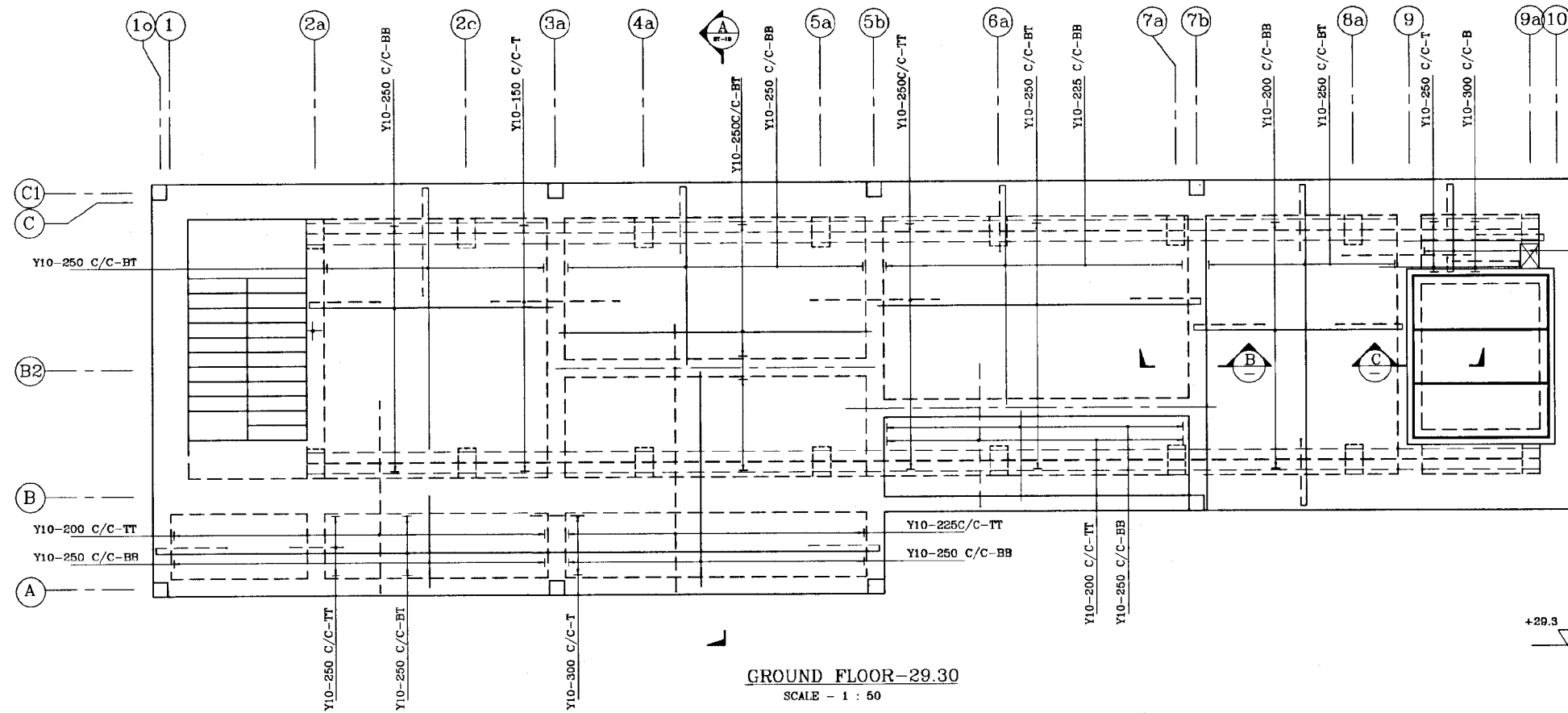
DO NOT SCALE

<p>NATIONAL WATER SUPPLY AND DRAINAGE BOARD THE PROJECT FOR THE REDUCTION OF NON-REVENUE WATER IN THE GREATER COLOMBO AREA</p> <p>JAPAN INTERNATIONAL COOPERATION AGENCY (JICA) STUDY TEAM</p> <p>NIHON SUIDO CONSULTANTS CO. LTD., TOKYO, JAPAN</p>	SUB PROJECT ELLIE HOUSE RESERVOIR		TITLE R/F DETAILS OF BEAMS OF VALVE HOUSE SHEET 1 OF 2	
	DESIGNED	DRAWN	DATE	
	CHECKED	ANOMA	JANUARY 2001	
	DR. TEAM LEADER	PM (NRWSAPS) IN/SUB	CONTRACT NO.	NRW/CW
	TEAM LEADER	ACOMP/DR IN/SUB	DRG. NO.	EH-GR-ST-21

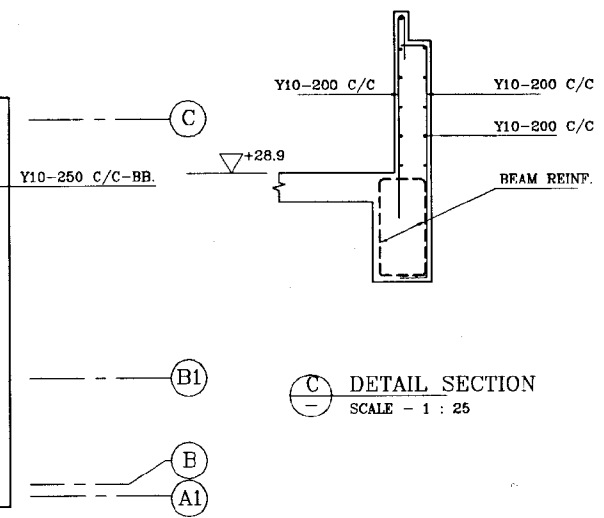


DO NOT SCALE

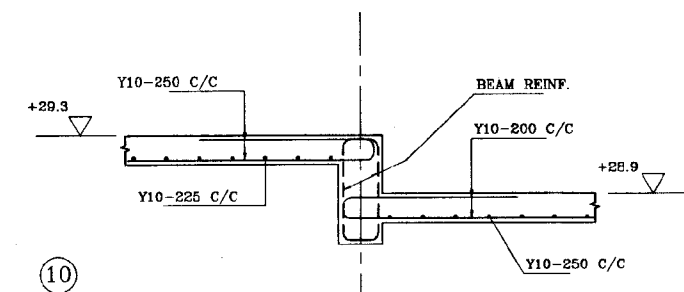
<p>NATIONAL WATER SUPPLY AND DRAINAGE BOARD THE PROJECT FOR THE REDUCTION OF NON-REVENUE WATER IN THE GREATER COLOMBO AREA</p> <p>JAPAN INTERNATIONAL COOPERATION AGENCY (JICA) STUDY TEAM</p> <p>NIHON SUDO CONSULTANTS CO. LTD., TOKYO, JAPAN</p>	<p>REV.</p>	<p>DESCRIPTION</p>
	<p>SUB PROJECT ELLIE HOUSE RESERVOIR</p>	<p>TITLE R/F DETAILS OF BEAMS OF VALVE HOUSE</p>
	<p>DESIGNED <i>[Signature]</i></p>	<p>DATE JANUARY 2001</p>
	<p>CHECKED <i>[Signature]</i></p>	<p>CONTRACT NO. NRW/CW</p>
<p>DR. TEAM LEADER <i>[Signature]</i></p>	<p>ACCOMP. INCHG. <i>[Signature]</i></p>	<p>DRG. NO. EH-GR-ST-22</p>
<p>TEAM LEADER <i>[Signature]</i></p>	<p>DCM/PMO/MSDS</p>	<p>SHEET 2 OF 2</p>



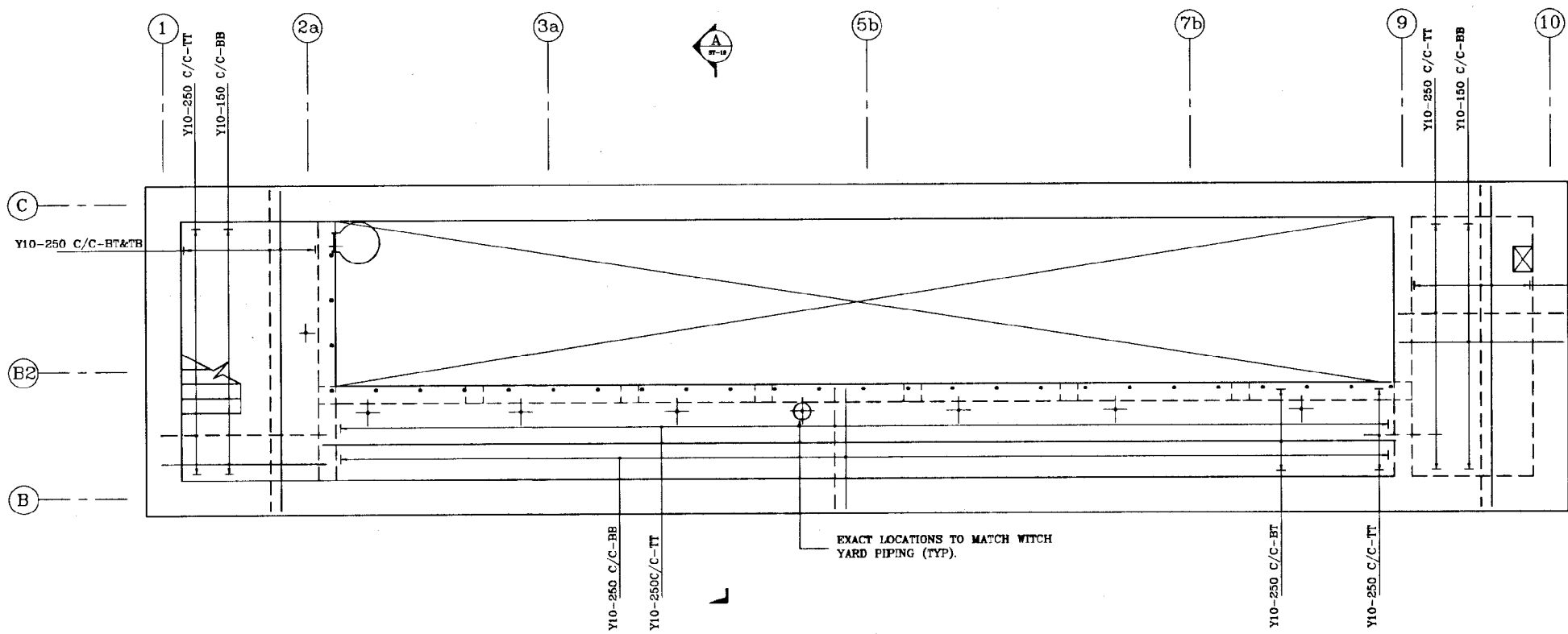
GROUND FLOOR - 29.30
SCALE - 1 : 50



C DETAIL SECTION
SCALE - 1 : 25



B DETAIL SECTION
SCALE - 1 : 25




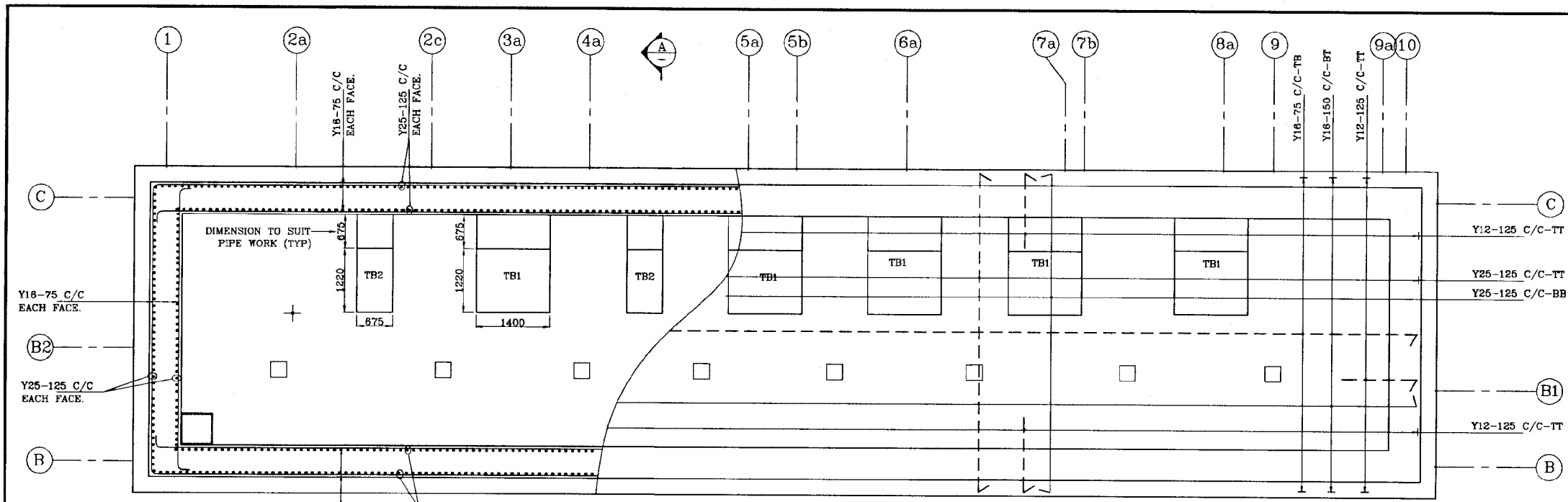
BASEMENT B1 LEVEL - 24.5MSL
SCALE - 1 : 50

EXACT LOCATIONS TO MATCH WITCH
YARD PIPING (TYP).

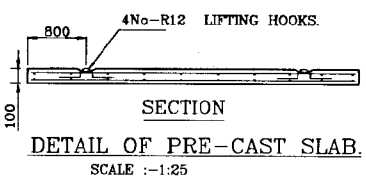
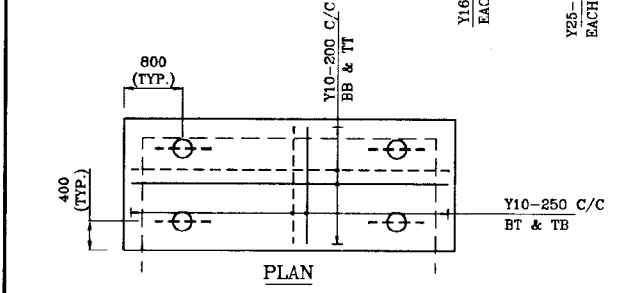
NOTE: - ALL TOP R/F OF Y10 @ 250C/C
(DISTRIBUTION R/F) NOT SHOWN FOR
CLARITY.

DO NOT SCALE

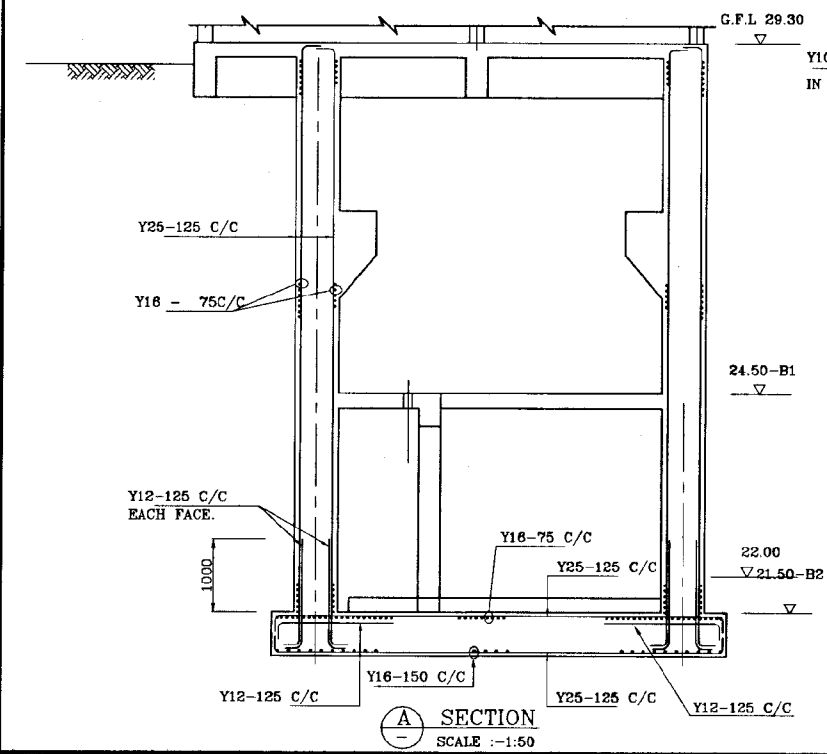
 NATIONAL WATER SUPPLY AND DRAINAGE BOARD THE PROJECT FOR THE REDUCTION OF NON-REVENUE WATER IN THE GREATER COLOMBO AREA		SUB PROJECT ELLIE HOUSE RESERVOIR		TITLE R/F DETAILS OF SLABS AT +29.30 & +24.5 OF VALVE HOUSE	
DESIGNED	DRAWN	DATE	JANUARY 2001		
CHECKED	ANOMA	CONTRACT No.	NRW/CW		
DT TEAM LEADER	ASMP/NO NUMBER	DRG No.	EH-GR-ST-23		
TEAM LEADER	DISM/NO NUMBER				



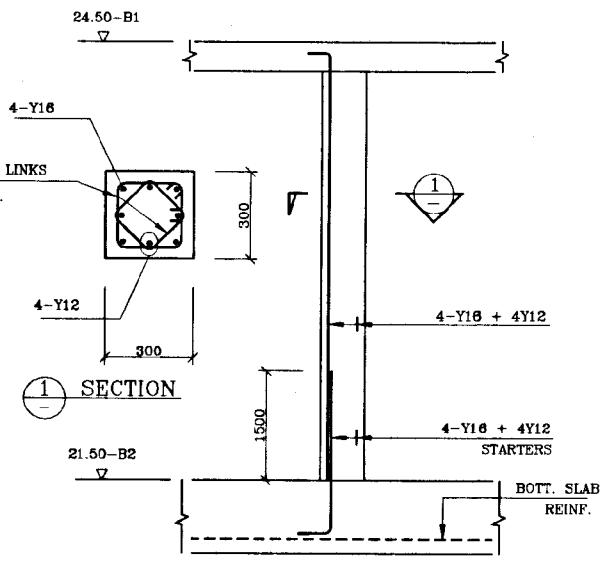
R/F DETAILS OF WALLS & BASE SLAB B2 LEVEL - 21.5MSL
SCALE - 1 : 50



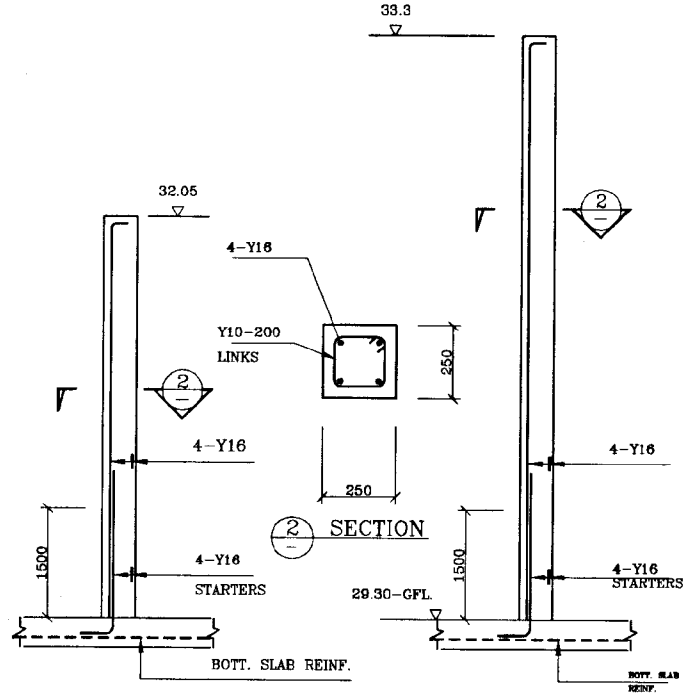
DETAIL OF PRE-CAST SLAB
SCALE :-1:25



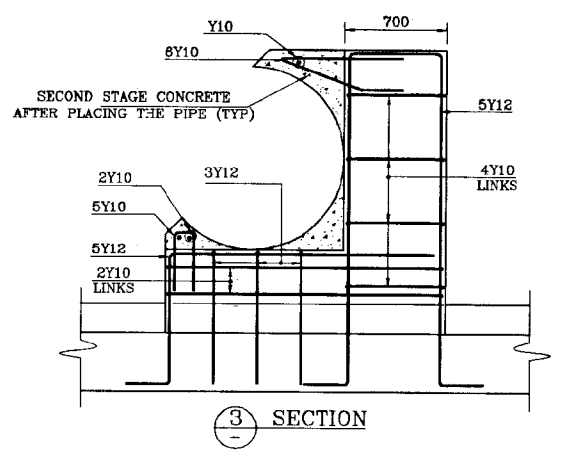
SECTION A-A
SCALE :-1:50



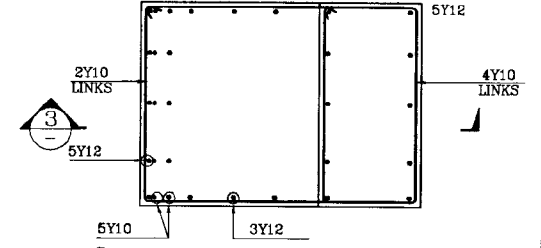
COLUMN : C1
SCALE :-1:25



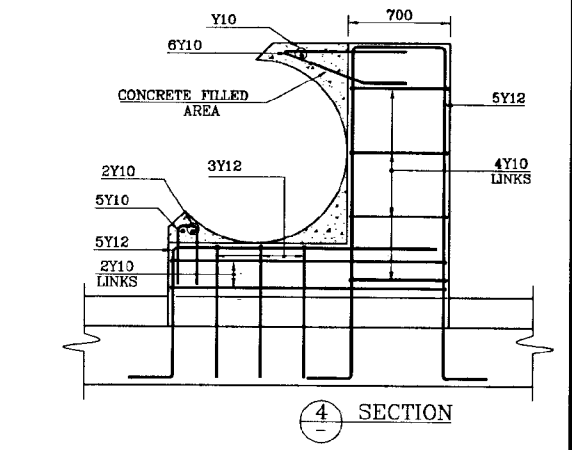
COLUMNS : C2 & C3
SCALE :-1:25



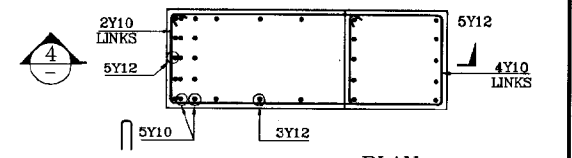
SECTION 3-3



PLAN TB1
SCALE - 1 : 25



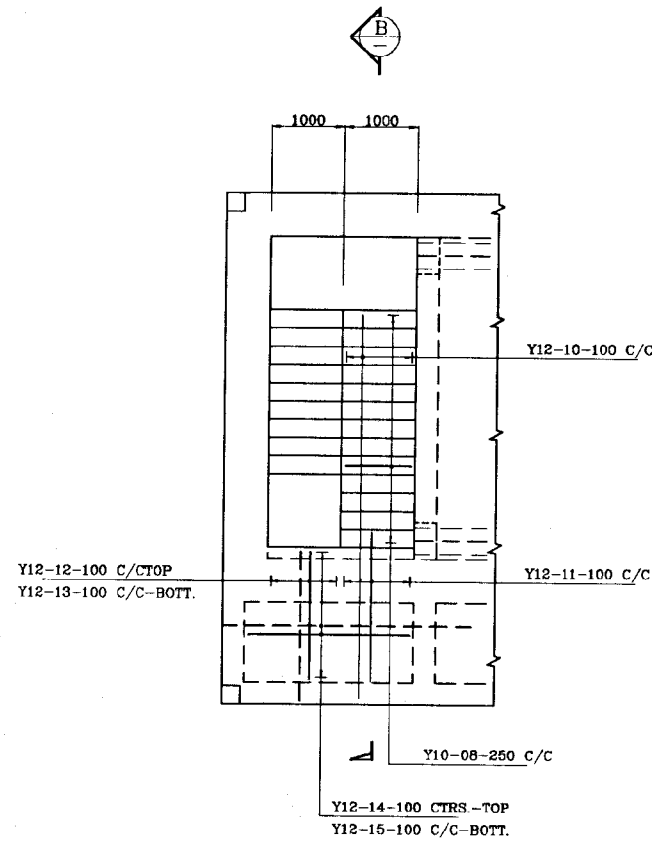
SECTION 4-4



PLAN TB2
SCALE - 1 : 25

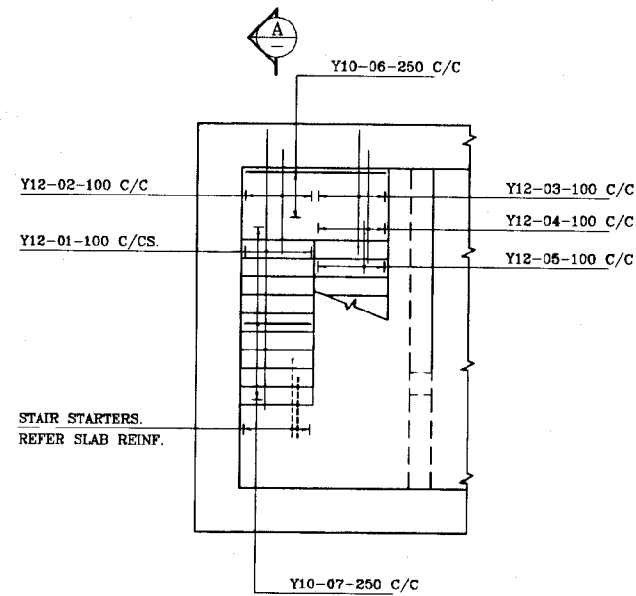
DO NOT SCALE

	NATIONAL WATER SUPPLY AND DRAINAGE BOARD THE PROJECT FOR THE REDUCTION OF NON-REVENUE WATER IN THE GREATER COLOMBO AREA		SUB PROJECT ELLIE HOUSE RESERVOIR	TITLE R/F DETAILS OF BASE SLAB, WALLS, COLUMNS & THRUST BLOCK OF VALVE HOUSE
	JAPAN INTERNATIONAL COOPERATION AGENCY (JICA) STUDY TEAM		DESIGNED <i>[Signature]</i>	DRAWN RUKMANTI
	NIHON SUIDO CONSULTANTS CO. LTD., TOKYO, JAPAN		CHECKED <i>[Signature]</i>	DATE JANUARY 2001
	DT. TEAM LEADER <i>[Signature]</i>		CONTRACT NO. NRW/CW	DRG. No. EH-GR-ST-24



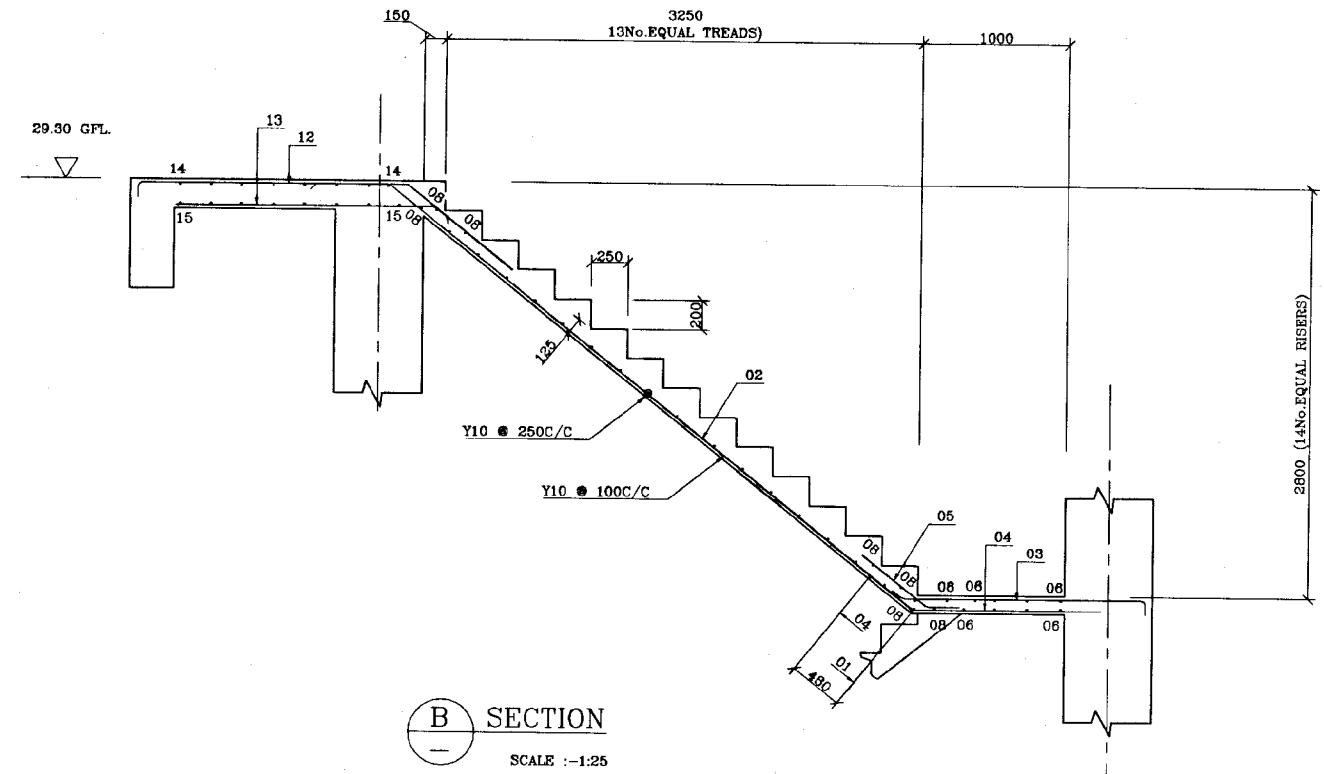
PLAN AT LEVEL+29.30

SCALE :-1:50



PLAN AT LEVEL+24.50

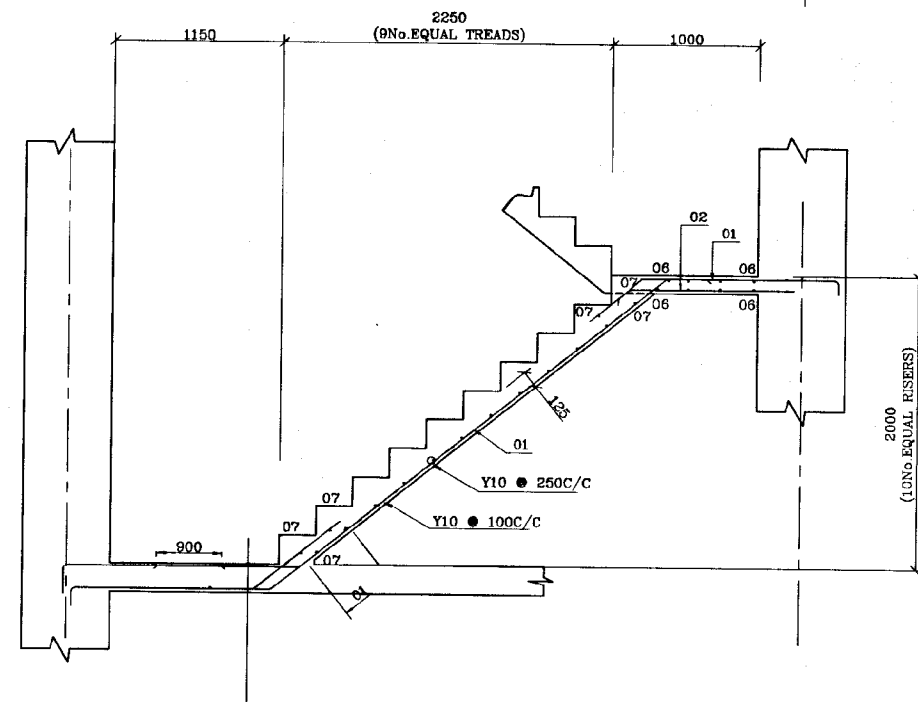
SCALE :-1:50



SECTION B

SCALE :-1:25


24.50-B1

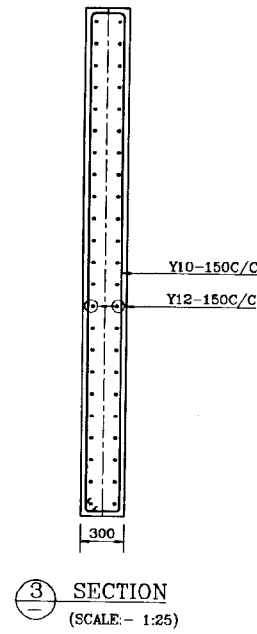
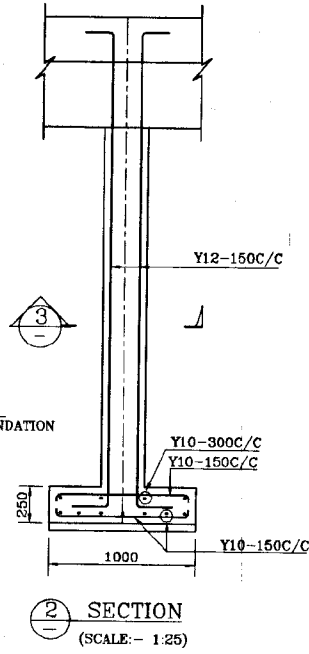
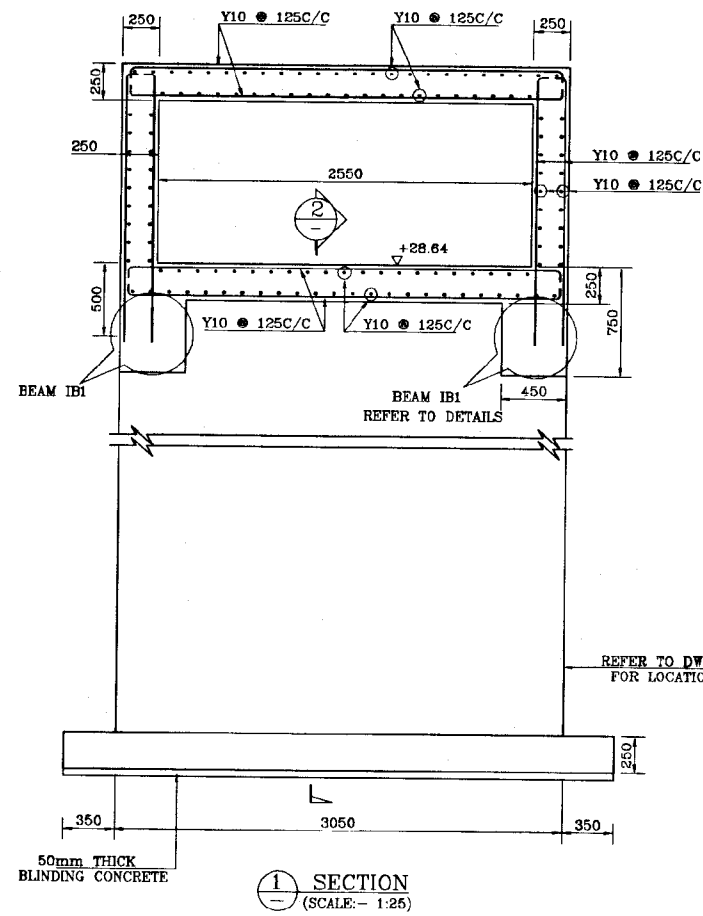


SECTION A

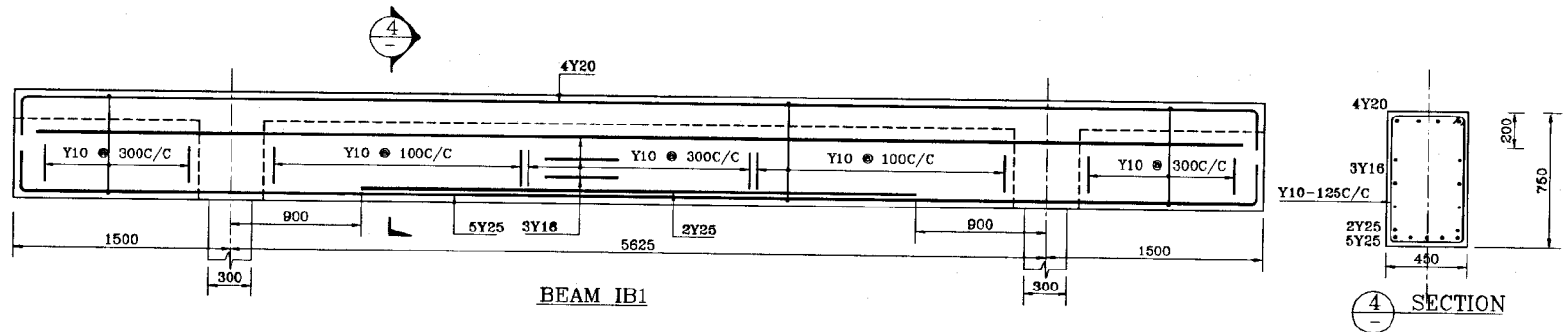
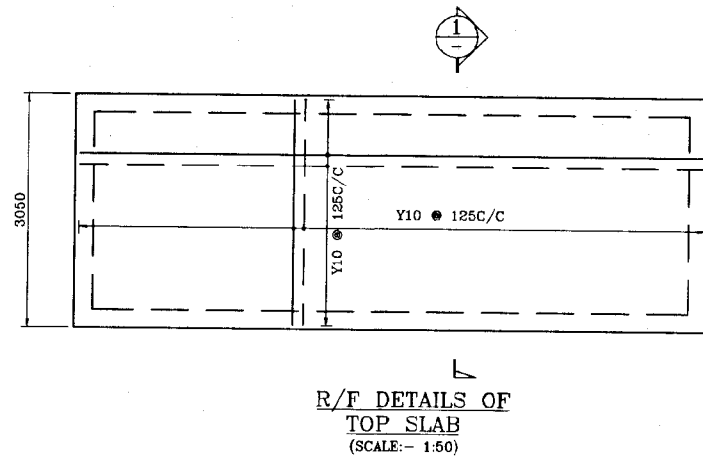
SCALE :-1:25

DO NOT SCALE

 <p>NATIONAL WATER SUPPLY AND DRAINAGE BOARD THE PROJECT FOR THE REDUCTION OF NON-REVENUE WATER IN THE GREATER COLOMBO AREA</p>	<p>SUB PROJECT ELLIE HOUSE RESERVOIR</p>	<p>TITLE R/F DETAILS OF STAIR OF VALVE HOUSE</p>
	<p>DESIGNED: <i>[Signature]</i> CHECKED: <i>[Signature]</i> DY. TEAM LEADER: <i>[Signature]</i> TEAM LEADER: <i>[Signature]</i></p>	<p>DRAWN: ANOMA PM (NRW/S&D) NWSDR: <i>[Signature]</i> ACQ/PM/ID NWSDR: <i>[Signature]</i> DC/PM/ID NWSDR: <i>[Signature]</i></p>
<p>JAPAN INTERNATIONAL COOPERATION AGENCY (JICA) STUDY TEAM NIHON SUIDO CONSULTANTS CO. LTD., TOKYO, JAPAN</p>		



NOTE:-
REFER TO DWG. NO. EH-GR-ST-01
FOR FOUNDATION SETTING OUT
DIMENSIONS.



DO NOT SCALE

REV	DESCRIPTION	DESIGNED		DRAWN		DATE
		[Signature]		[Signature]		JANUARY 2001
		CHECKED		PM INRW/AFS/MSDE		CONTRACT No. NRW/CW
		DY. TEAM LEADER		AG/PM/ID/MSDE		DRG No. EH/GR/ST-26
		TEAM LEADER		DR/PM/ID/MSDE		

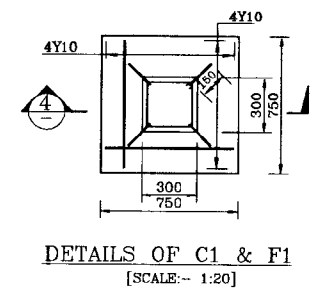
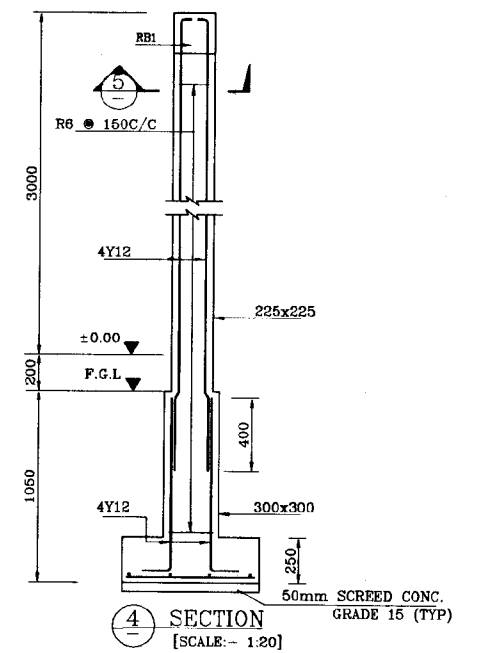
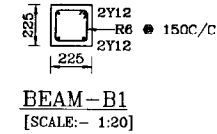
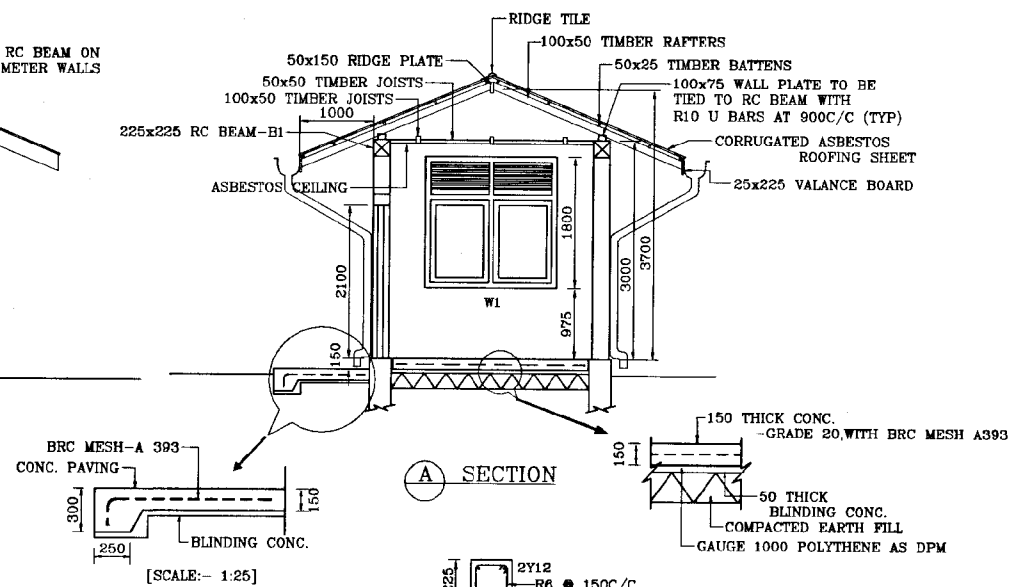
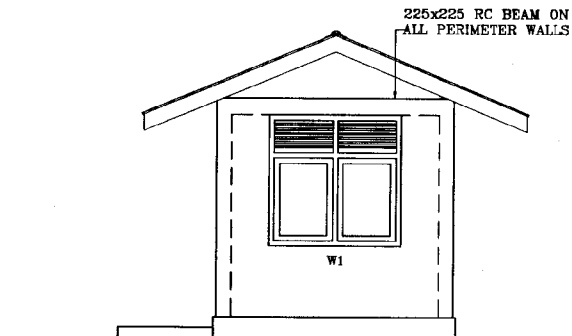
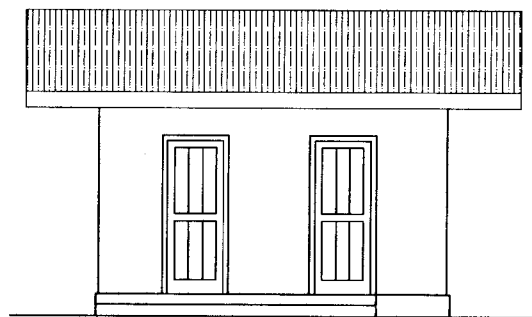
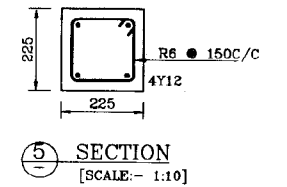
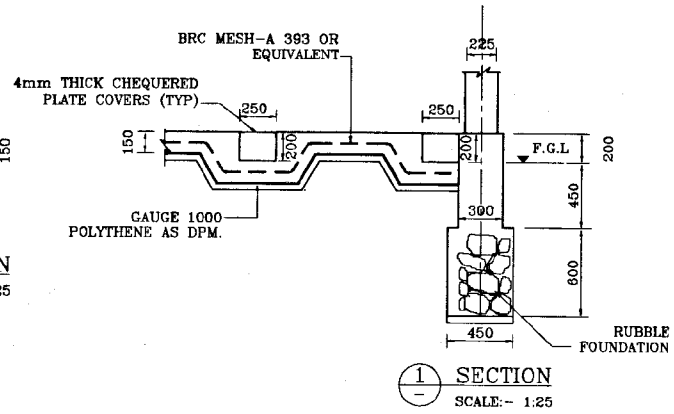
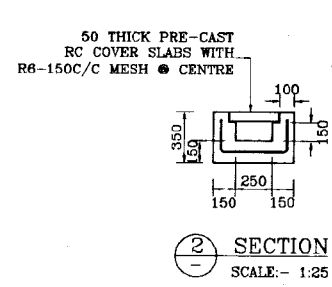
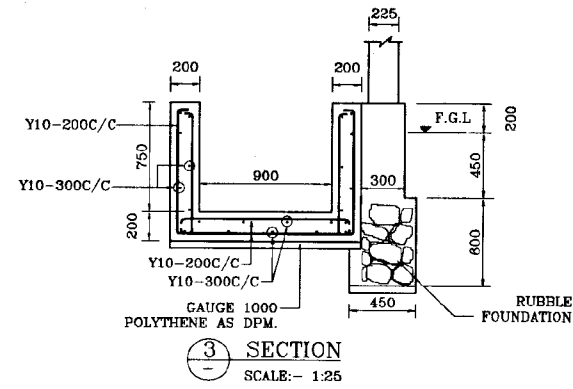
NATIONAL WATER SUPPLY AND DRAINAGE BOARD
THE PROJECT FOR THE REDUCTION OF NON-REVENUE WATER
IN THE GREATER COLOMBO AREA

SUB PROJECT
ELLIE HOUSE
RESERVOIR

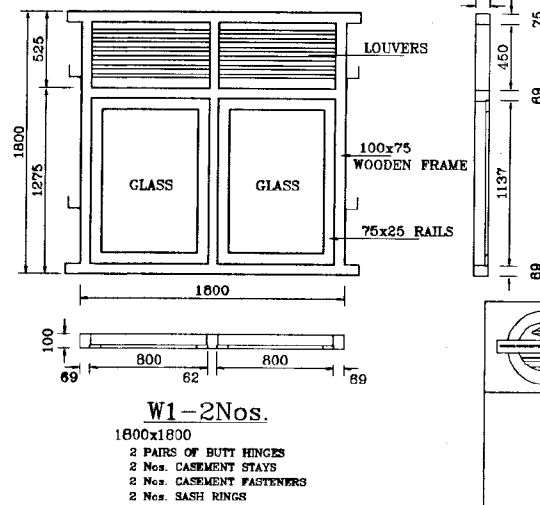
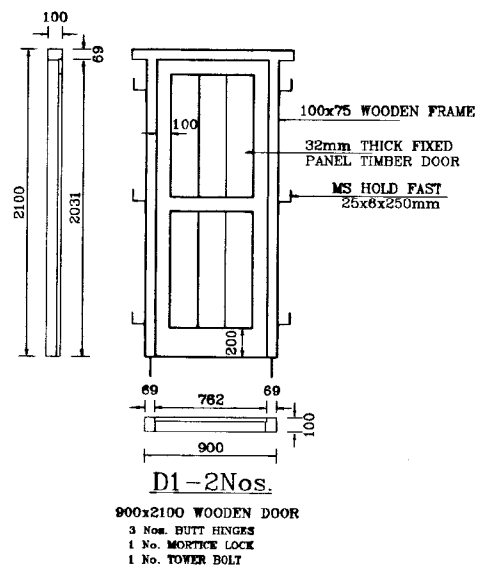
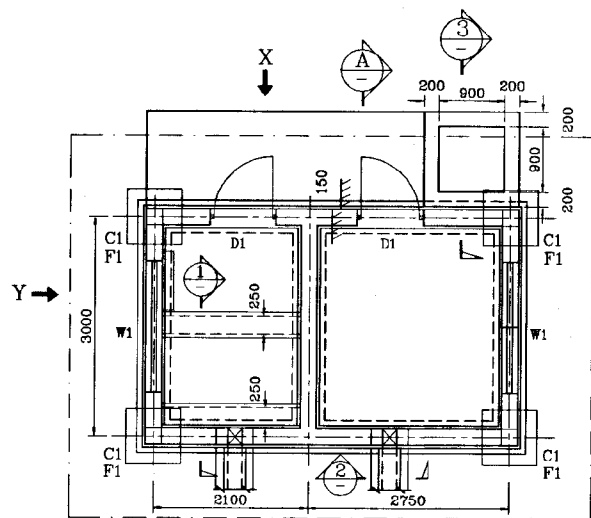
TITLE
R/F DETAILS OF INLET CHANNEL

JAPAN INTERNATIONAL COOPERATION AGENCY (JICA)
STUDY TEAM

NIHON SUIDO CONSULTANTS CO. LTD.,
TOKYO, JAPAN



DO NOT SCALE

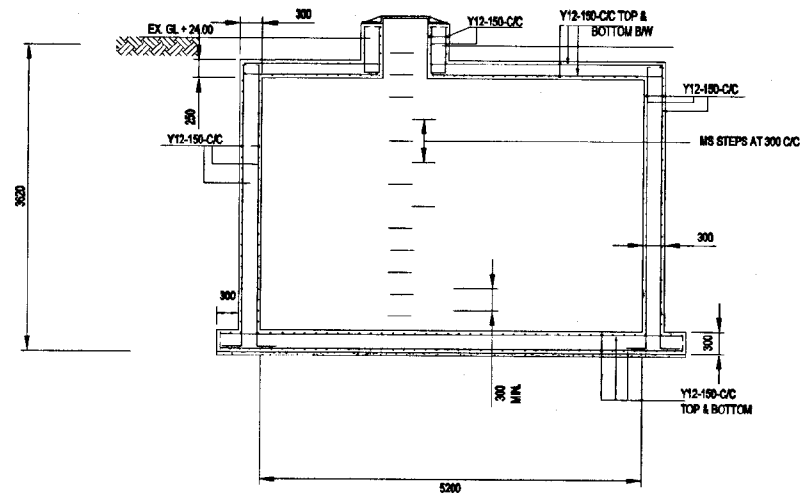


NATIONAL WATER SUPPLY AND DRAINAGE BOARD
THE PROJECT FOR THE REDUCTION OF NON-REVENUE WATER
IN THE GREATER COLOMBO AREA

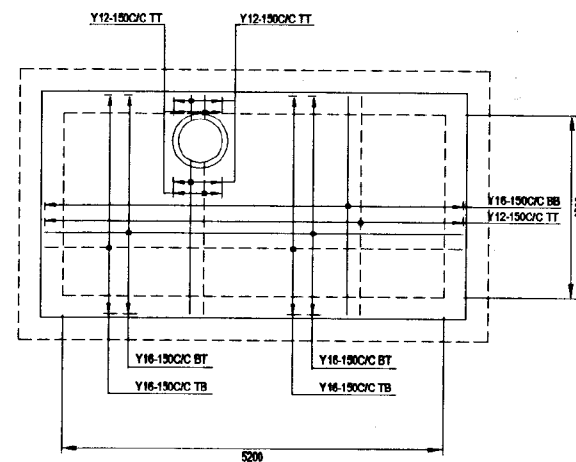
JAPAN INTERNATIONAL COOPERATION AGENCY (JICA)
STUDY TEAM

NIHON SUIDO CONSULTANTS CO. LTD.,
TOKYO, JAPAN

REV	DESCRIPTION			
		SUB PROJECT	TITLE	
		ELLE HOUSE RESERVOIR	CHLORINATION HOUSE- GENERAL ARRANGEMENT & DETAIL	
DESIGNED	DRWN	DATE	JANUARY 2001	
CHECKED	FM	CONTRACTING	NRW/CW	
BY TEAM LEADER	AGM/NO/MSXB	DRG No		
TEAM LEADER	DM/NO/MSXB		EH/GR/ST-27	



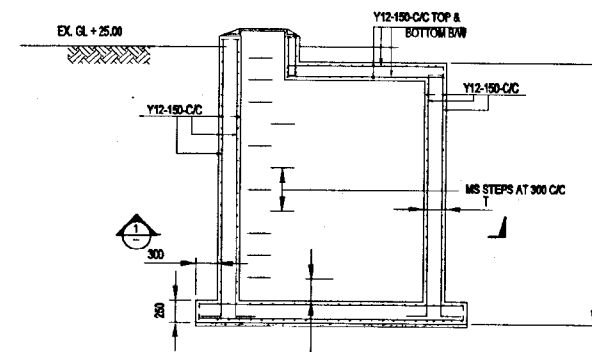
SECTION



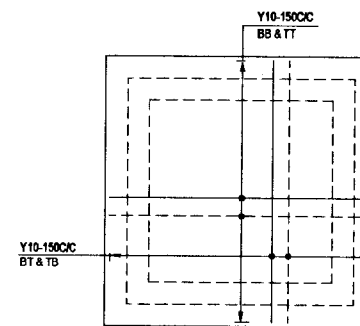
PLAN

DETAILS OF
FLOW METER CHAMBER - 1

SCALE - 1:30



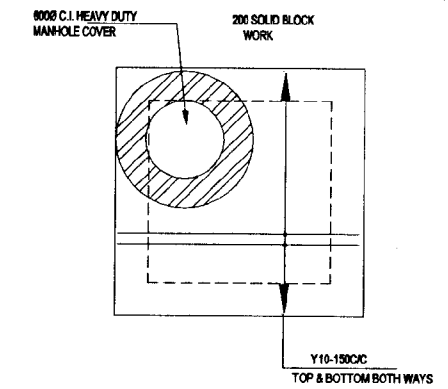
SECTION



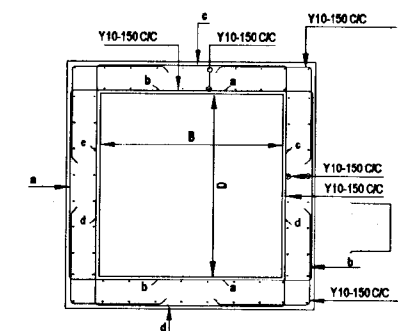
PLAN - BASE SLAB

DETAILS OF
FLOW METER CHAMBER - 2 & 3

SCALE - 1:30



TOP SLAB




SECTION 1

DESCRIPTION	B	D	H	T
FLOW METER CHAMBER - 2	2500	2500	3570	250
FLOW METER CHAMBER - 3	2500	2000	5100	275

NOTE

- REFER TO STANDARD DRAWINGS FOR TYPICAL DETAILS.
- FOR FLOW METER CHAMBER BACK FILLING SHALL BE CARRIED OUT ONLY AFTER THE COVER SLAB CONCRETE ATTAINS REQUIRED STRENGTH.
- GRADE OF CONCRETE FOR STRUCTURES = 25.

DO NOT SCALE

 <p>NATIONAL WATER SUPPLY AND DRAINAGE BOARD THE PROJECT FOR THE REDUCTION OF NON-REVENUE WATER IN THE GREATER COLOMBO AREA</p>	<p>SUB PROJECT: ELLIE HOUSE RESERVOIR</p>		<p>TITLE: R/F DETAILS OF FLOW METER CHAMBERS</p>	
	<p>DESIGNED: <i>[Signature]</i></p>	<p>DRAWN: <i>[Signature]</i></p>	<p>DATE: JUN. 2001</p>	
<p>CHECKED: <i>[Signature]</i></p>		<p>IN CHARGE: <i>[Signature]</i></p>	<p>CONTRACT No: NRW / CW</p>	
<p>DR. TEAM LEADER: <i>[Signature]</i></p>		<p>A.E.M (P) INCHARGE: <i>[Signature]</i></p>	<p>DRG. No: EH / GR / ST - 28</p>	
<p>TEAM LEADER: <i>[Signature]</i></p>		<p>D.G.M (P) INCHARGE: <i>[Signature]</i></p>		

JAPAN INTERNATIONAL COOPERATION AGENCY (JICA)
STUDY TEAM
NIHON SUJIDO CONSULTANTS CO. LTD.,
TOKYO, JAPAN