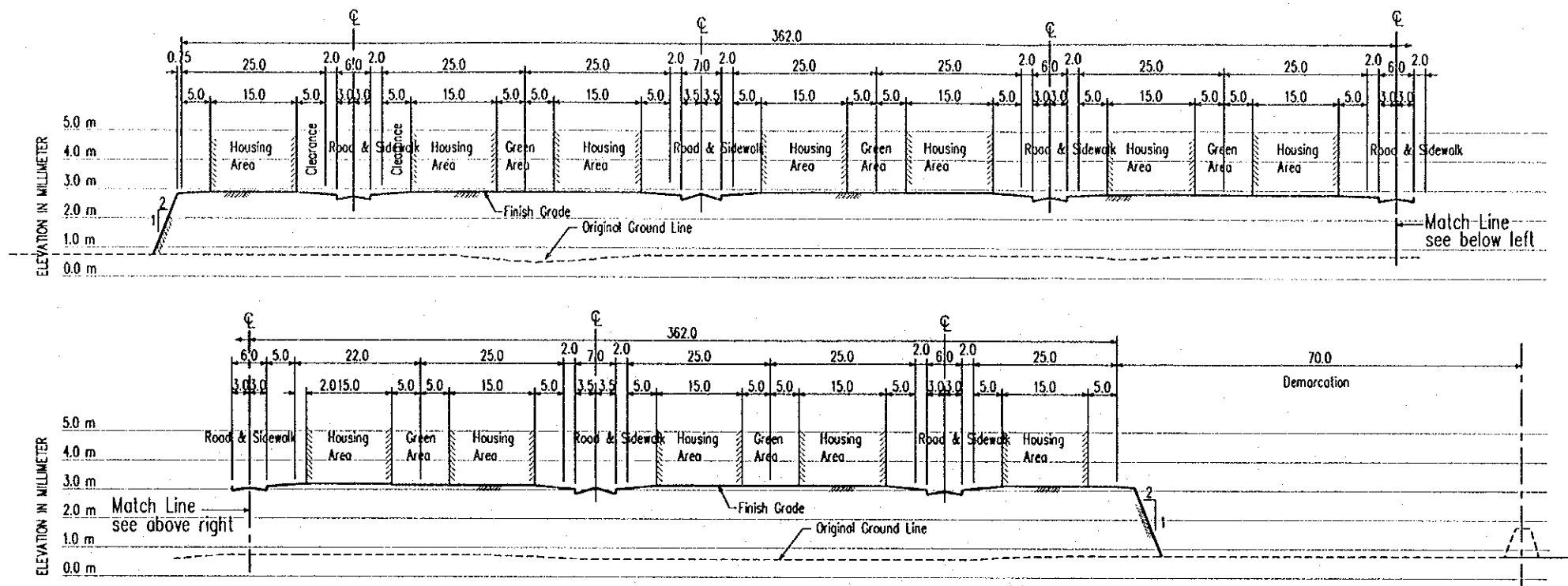
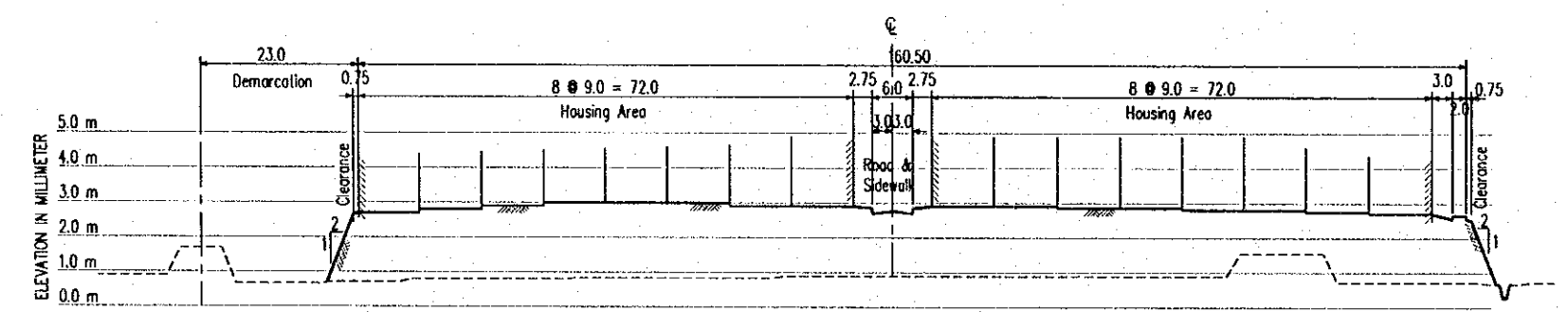


WATER DISTRIBUTION PLAN SCALE 1:1000

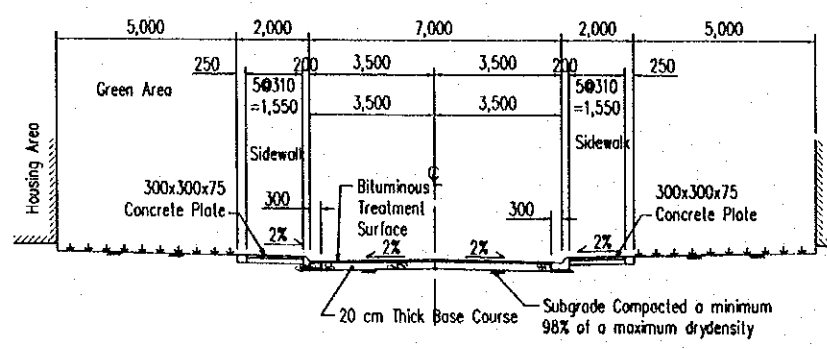
| | | | | | | | | | |
|--|--|---|--|-------------|--------------------|--------------------|---|-------------------------|--------------------|
| PROJECT NAME DETAILED DESIGN OF THE CAN THO BRIDGE CONSTRUCTION PROJECT | IMPLEMENTATION AGENCY JAPAN INTERNATIONAL COOPERATION AGENCY (JICA) | EXECUTING AGENCY SOCIALIST REPUBLIC OF VIET NAM MINISTRY OF TRANSPORT (MOT) MY THUAN PROJECT MANAGEMENT UNIT | JICA STUDY TEAM NIPPON KOEI CO., LTD. | PREPARED BY | CHECKED BY | APPROVED BY | DRAWING TITLE WATER DISTRIBUTION PLAN | DWG NO. 11/25 | |
| | | | | NAME | VO HY HAI | TRAN Q. CU | | | H. FUJIKAWA |
| | | | | SIGNATURE | <i>[Signature]</i> | <i>[Signature]</i> | | | <i>[Signature]</i> |
| | | | | DATE | 4.4.2000 | 4.4.2000 | | | 4/14/2000 |



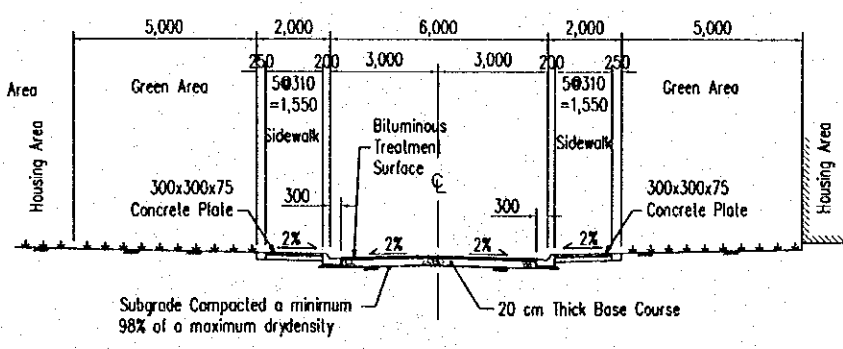
TYPICAL LONGITUDINAL SECTION H = 1:1000 SCALE V = 1:200



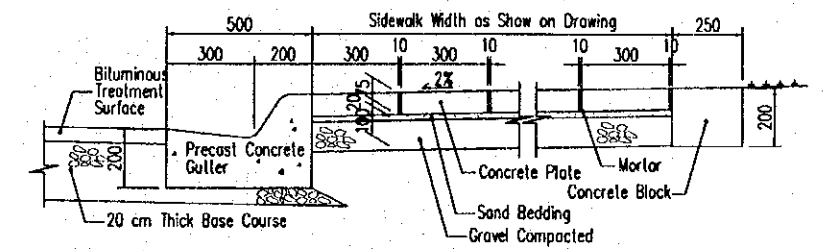
TYPICAL TRANSVERSE SECTION H = 1:1000 SCALE V = 1:200



ACCESS ROAD SCALE 1:200



INNER ROAD 6 m WIDE SCALE 1:200

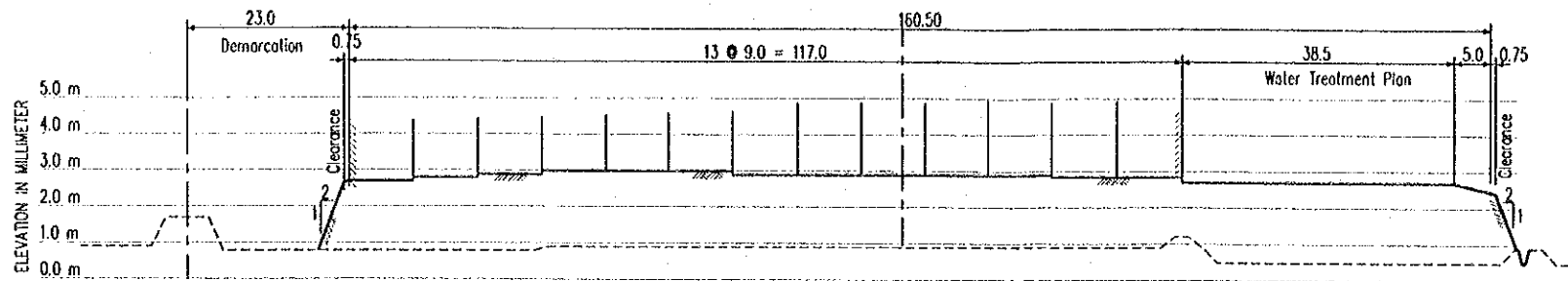


DETAILS OF SIDEWALK & GUTTER NOT TO SCALE

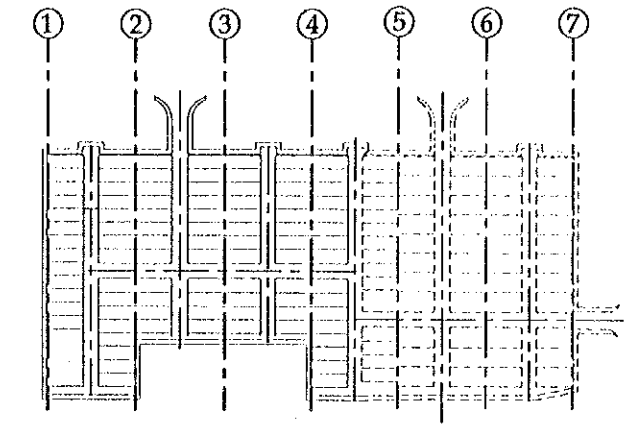
TYPICAL SECTIONS, ROAD CROSS SECTIONS & DETAILS

SCALE AS SHOWN

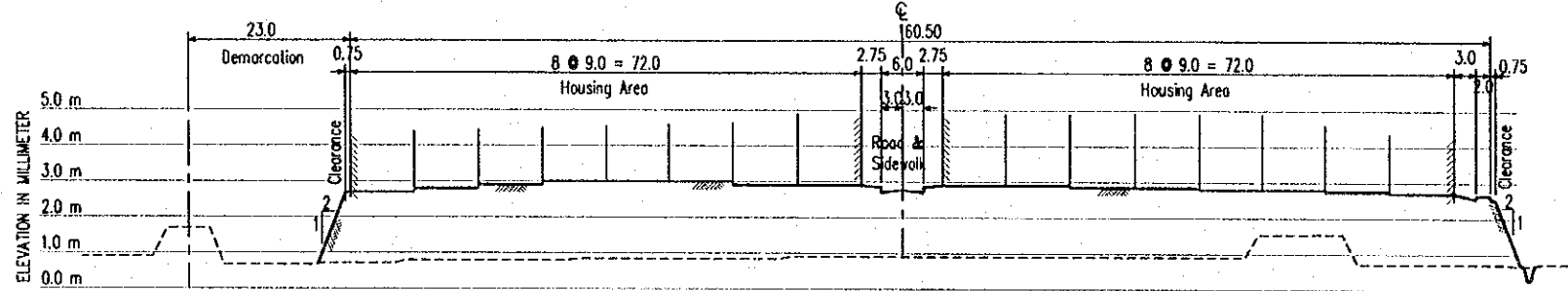
| | | | | | | | | | |
|--|--|---|--|-------------|--------------------|--------------------|---|------------------|--------------------|
| PROJECT NAME DETAILED DESIGN OF THE CAN THO BRIDGE CONSTRUCTION PROJECT | IMPLEMENTATION AGENCY JICA JAPAN INTERNATIONAL COOPERATION AGENCY (JICA) | EXECUTING AGENCY SOCIALIST REPUBLIC OF VIET NAM MINISTRY OF TRANSPORT (MOT) MY THUAN PROJECT MANAGEMENT UNIT | JICA STUDY TEAM NIPPON KOBI CO., LTD. | PREPARED BY | CHECKED BY | APPROVED BY | DRAWING TITLE TYPICAL SECTION, ROAD CROSS SECTION & DETAILS | DWG NO. 14/25 | |
| | | | | NAME | VO HY HAI | M. FUJIKAWA | | | M. FUJIKAWA |
| | | | | SIGNATURE | <i>[Signature]</i> | <i>[Signature]</i> | | | <i>[Signature]</i> |
| | | | | DATE | 4.4.2000 | 05/04/2000 | 05/04/2000 | | |



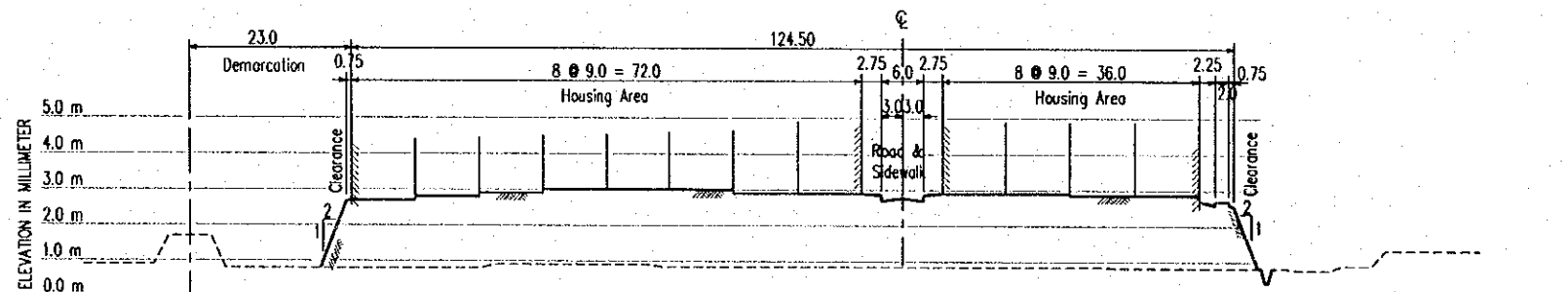
CROSS SECTION 1 H = 1:1000 SCALE V = 1:200



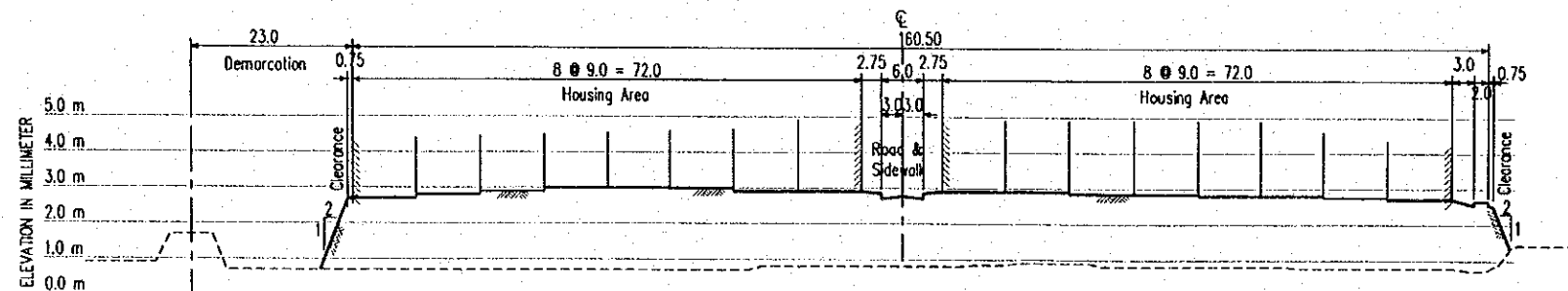
KEY PLAN



CROSS SECTION 2 H = 1:1000 SCALE V = 1:200



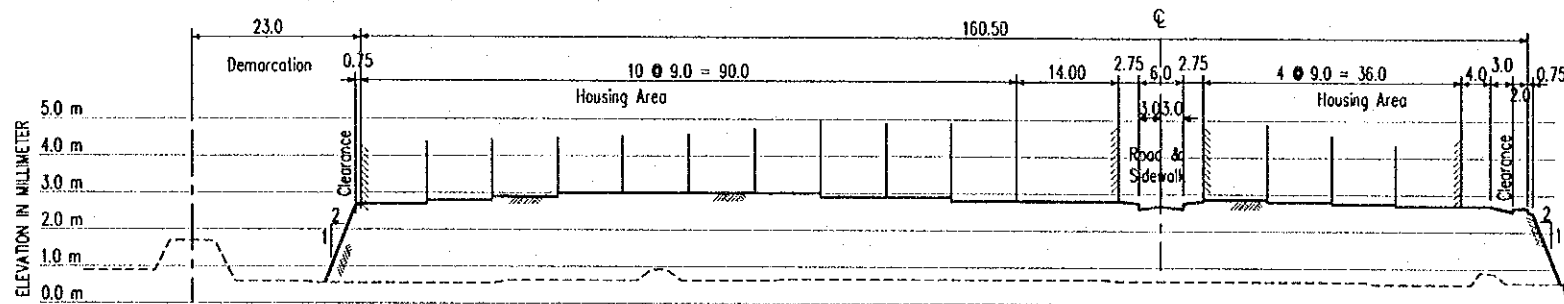
CROSS SECTION 3 H = 1:1000 SCALE V = 1:200



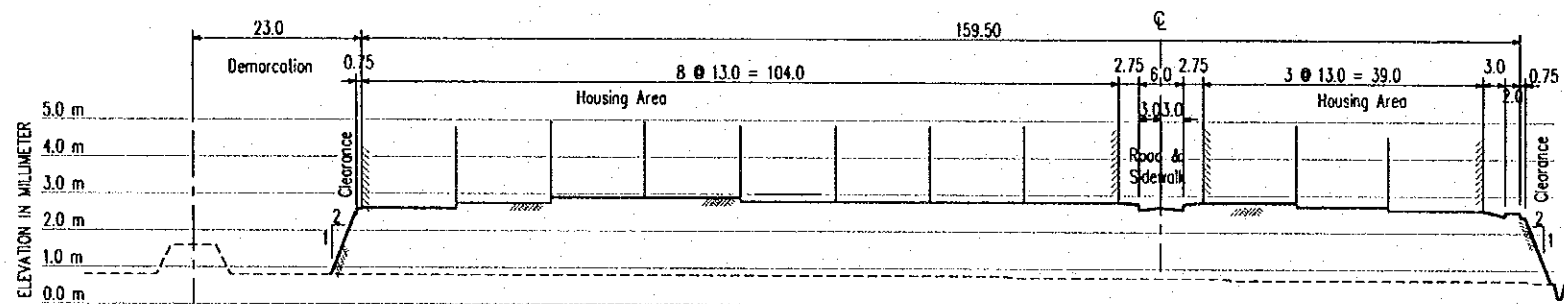
CROSS SECTION 4 H = 1:1000 SCALE V = 1:200

CROSS SECTIONS

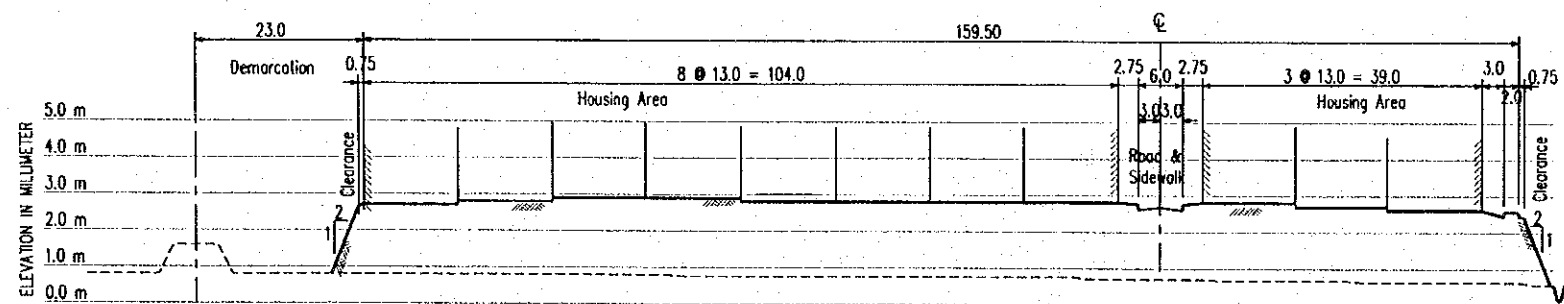
| | | | | | | | | | |
|--|--|---|---|-------------|------------|-------------|---------------------------------|------------------|--------------------|
| PROJECT NAME DETAILED DESIGN OF THE CAN THO BRIDGE CONSTRUCTION PROJECT | IMPLEMENTATION AGENCY JICA JAPAN INTERNATIONAL COOPERATION AGENCY (JICA) | EXECUTING AGENCY SOCIALIST REPUBLIC OF VIET NAM MINISTRY OF TRANSPORT (MOT) MY THUAN PROJECT MANAGEMENT UNIT | JICA STUDY TEAM NIPPON KOEI CO.,LTD. | PREPARED BY | CHECKED BY | APPROVED BY | DRAWING TITLE CROSS SECTIONS | DWG NO. 15/25 | |
| | | | | NAME | VO HY HAI | VO HY HAI | | | M. FUJIKAWA |
| | | | | SIGNATURE | <i>Hai</i> | <i>Hai</i> | | | <i>M. Fujikawa</i> |
| DATE | 4.4.2000 | 4.4.2000 | 03/04/2000 | | | | | | |



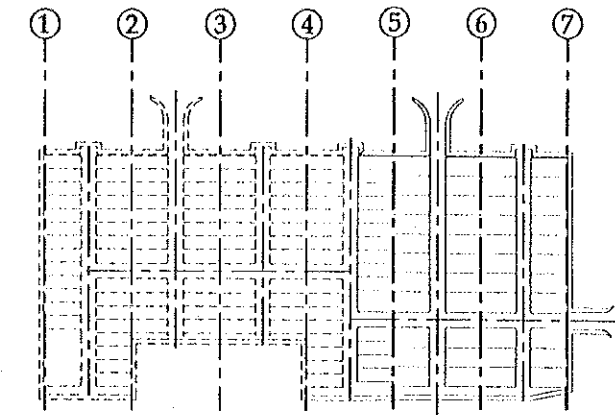
CROSS SECTION 5 H=1:1000 SCALE V=1:200



CROSS SECTION 6 H=1:1000 SCALE V=1:200



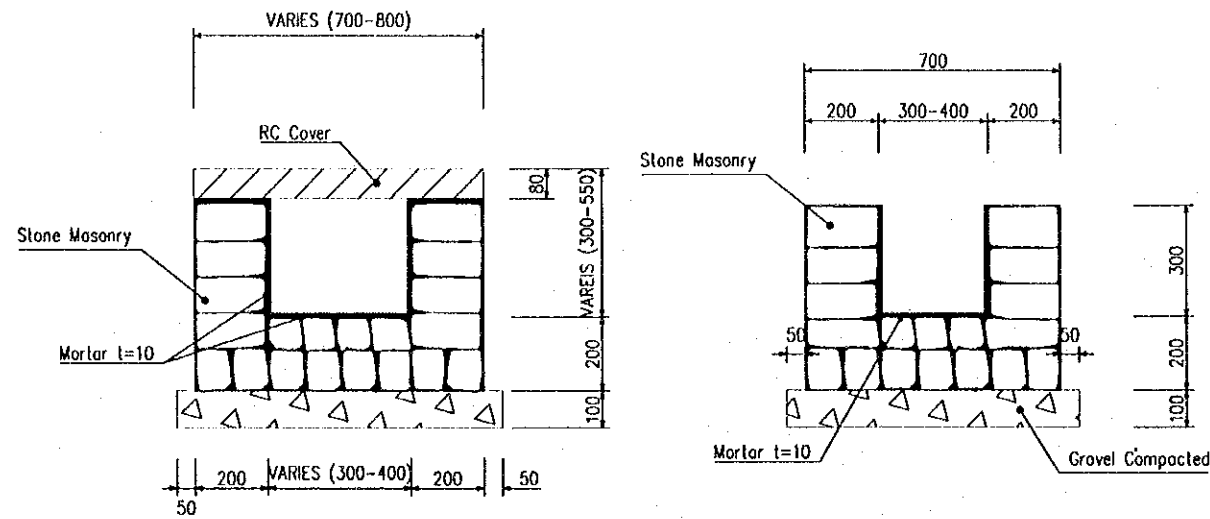
CROSS SECTION 7 H=1:1000 SCALE V=1:200



KEY PLAN

CROSS SECTIONS

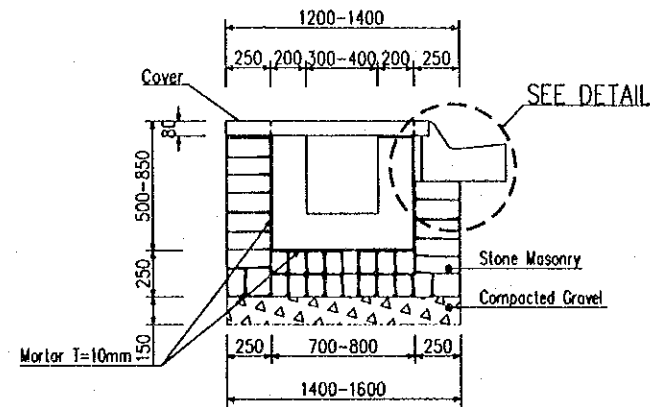
| | | | | | | | | | |
|--|--|---|---|-------------|------------------|------------------|---------------------------------|------------------|--------------------|
| PROJECT NAME DETAILED DESIGN OF THE CAN THO BRIDGE CONSTRUCTION PROJECT | IMPLEMENTATION AGENCY JAPAN INTERNATIONAL COOPERATION AGENCY (JICA) | EXECUTING AGENCY SOCIALIST REPUBLIC OF VIET NAM MINISTRY OF TRANSPORT (MOT) MY THUAN PROJECT MANAGEMENT UNIT | JICA STUDY TEAM NIPPON KOBI CO.,LTD. | PREPARED BY | CHECKED BY | APPROVED BY | DRAWING TITLE CROSS SECTIONS | DWG NO. 16/25 | |
| | | | | NAME | VO HY HAI | VO HY HAI | | | M. FUJIKAWA |
| | | | | SIGNATURE | <i>VO HY HAI</i> | <i>VO HY HAI</i> | | | <i>M. FUJIKAWA</i> |
| DATE | 4.4.2000 | 4.4.2000 | 4/4/2000 | | | | | | |



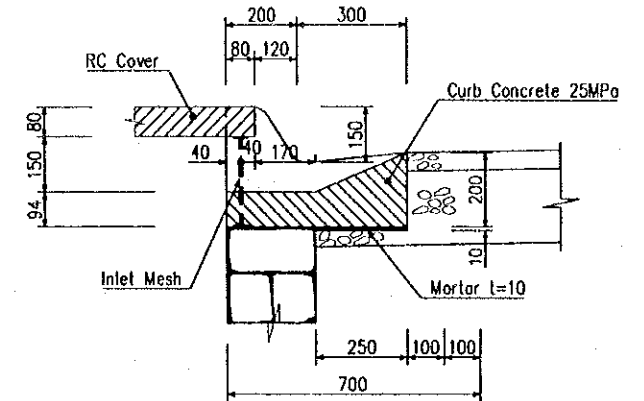
WITH COVER

O P E N

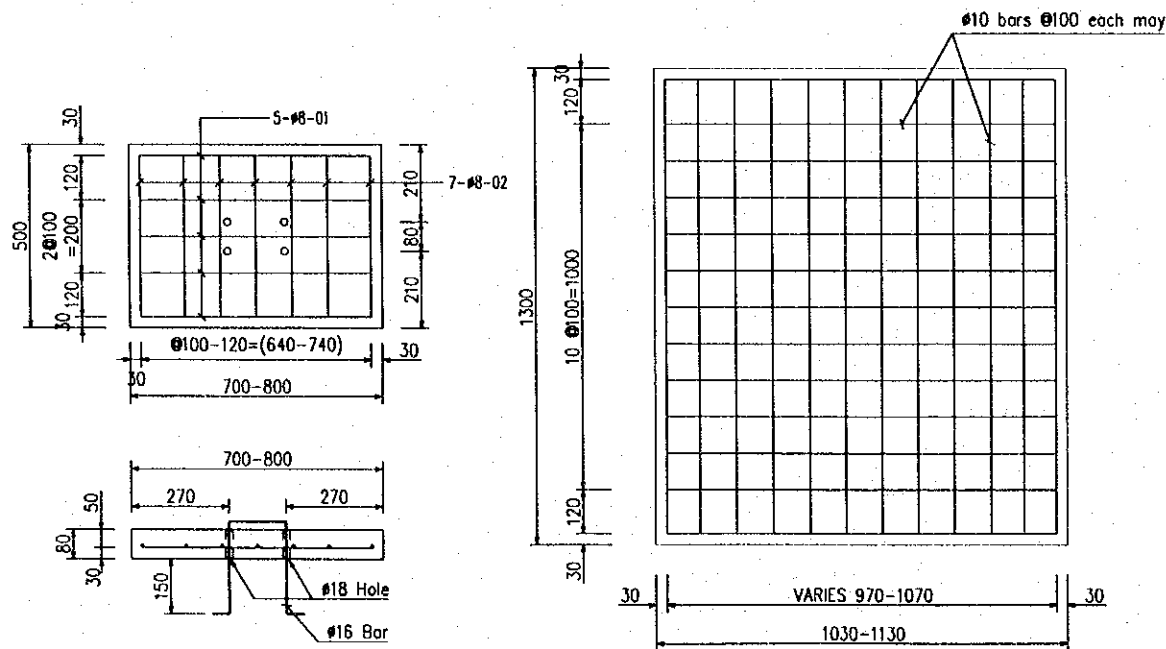
STONE MASONRY U DITCH SCALE 1:20



S E C T I O N

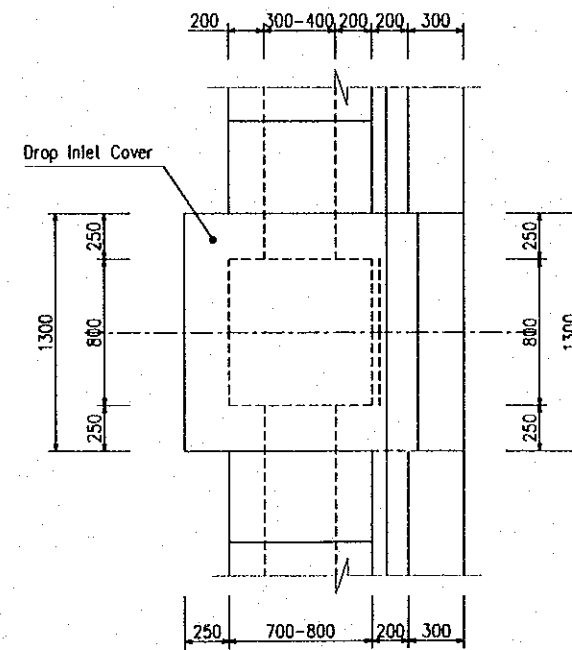


DETAIL OF INLET
SCALE 1:20



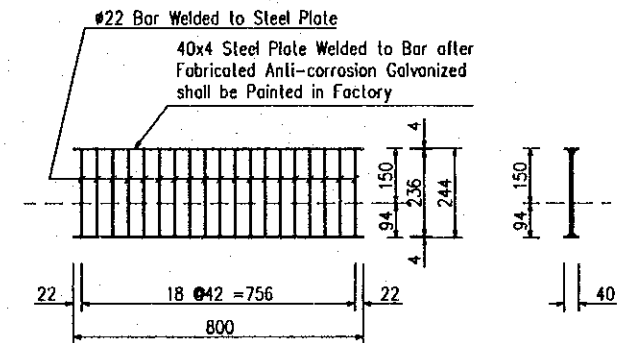
U DITCH COVER SCALE 1:20

COVER INLET SCALE 1:20



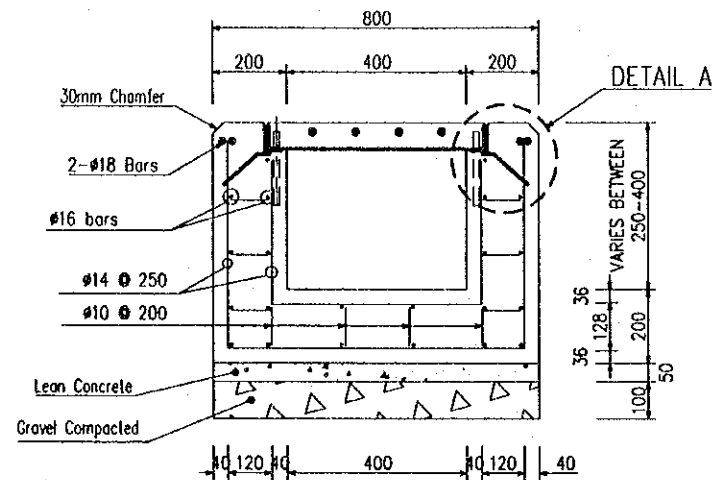
P L A N

CURB INLET SCALE 1:40

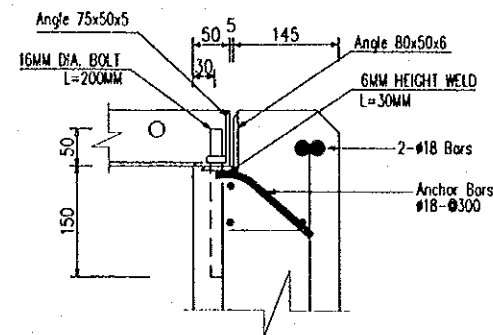


I N L E T M E S H
SCALE 1:20

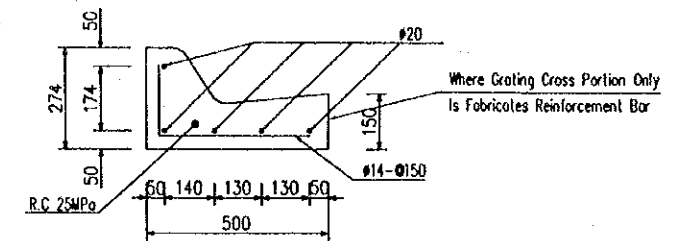
| PROJECT NAME | IMPLEMENTATION AGENCY | EXECUTING AGENCY | JICA STUDY TEAM | PREPARED BY | CHECKED BY | APPROVED BY | DRAWING TITLE | DWG NO. |
|--|--|---|---------------------------|---|---|---|---|---------|
| DETAILED DESIGN OF THE CAN THO BRIDGE CONSTRUCTION PROJECT | JICA JAPAN INTERNATIONAL COOPERATION AGENCY (JICA) | SOCIALIST REPUBLIC OF VIET NAM MINISTRY OF TRANSPORT (MOT) MY THUAN PROJECT MANAGEMENT UNIT | (NK) NIPPON KOEI CO.,LTD. | NAME: VO HY HAI SIGNATURE: [Signature] DATE: 4.4.2000 | NAME: NG. VAN TRUNG SIGNATURE: [Signature] DATE: 4.4.2000 | NAME: M. FUJIKAWA SIGNATURE: [Signature] DATE: 05/04/2000 | DETAILED OF DRAINAGE STRUCTURE - U TYPE DITCH | 17/25 |



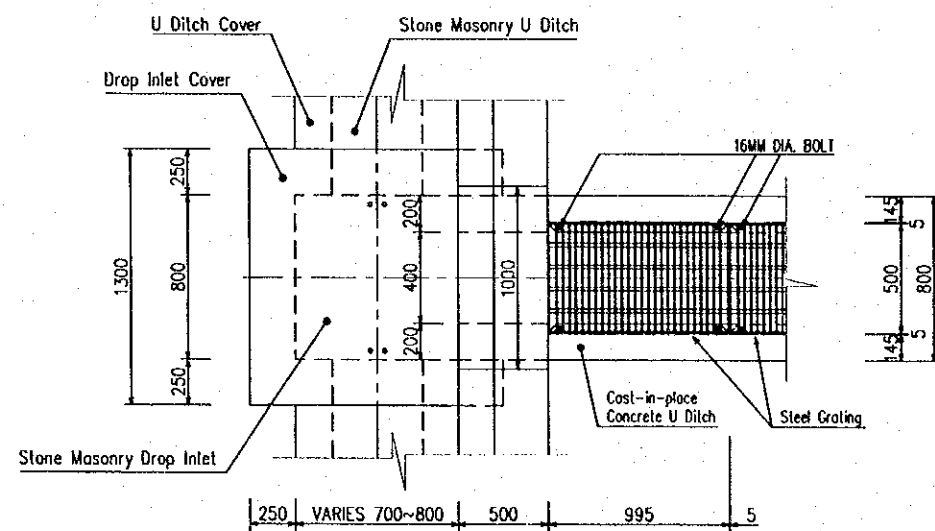
CONCRETE U DITCH SCALE 1:20



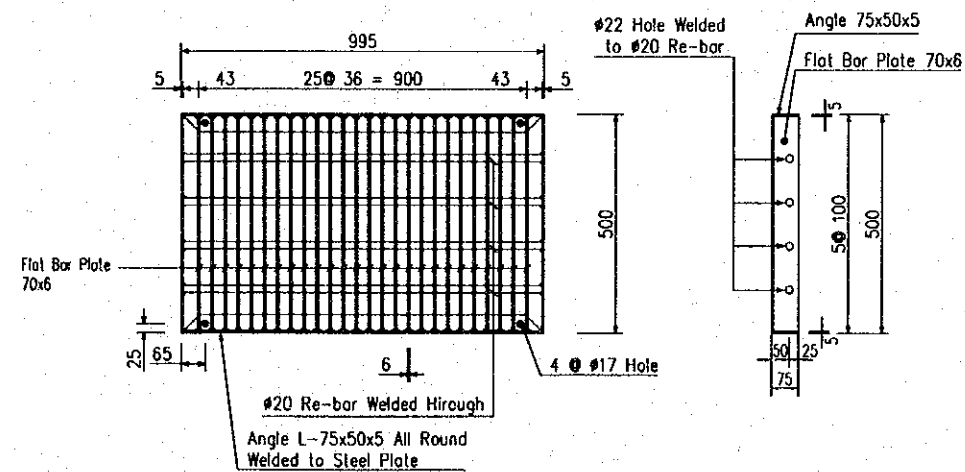
DETAIL A SCALE 1:10



CONCRETE CURB DETAIL SCALE 1:20



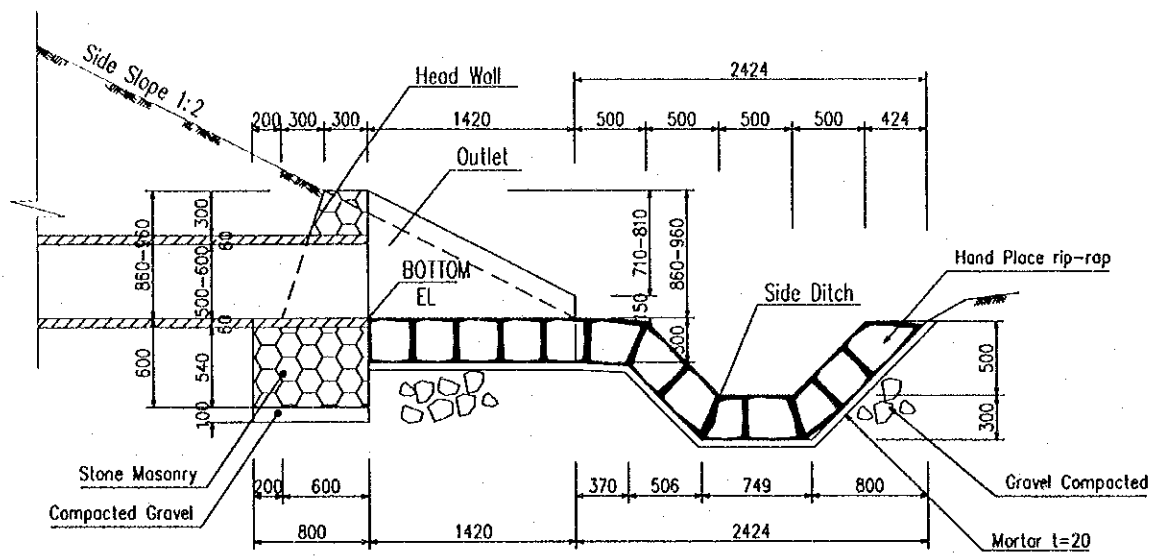
PLAN SCALE 1:40



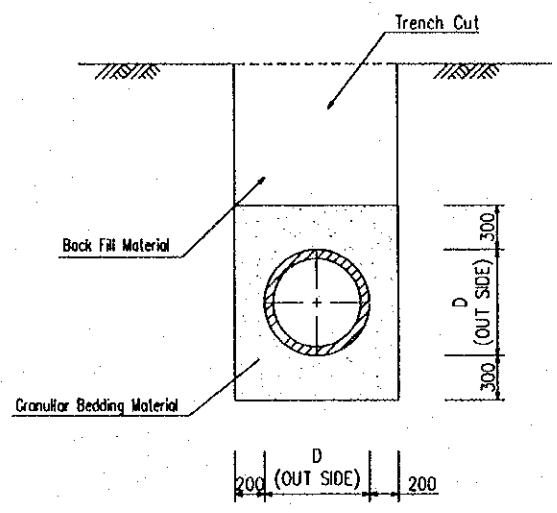
GRATING SCALE 1:20

STEEL GRATING COVER U DITCH

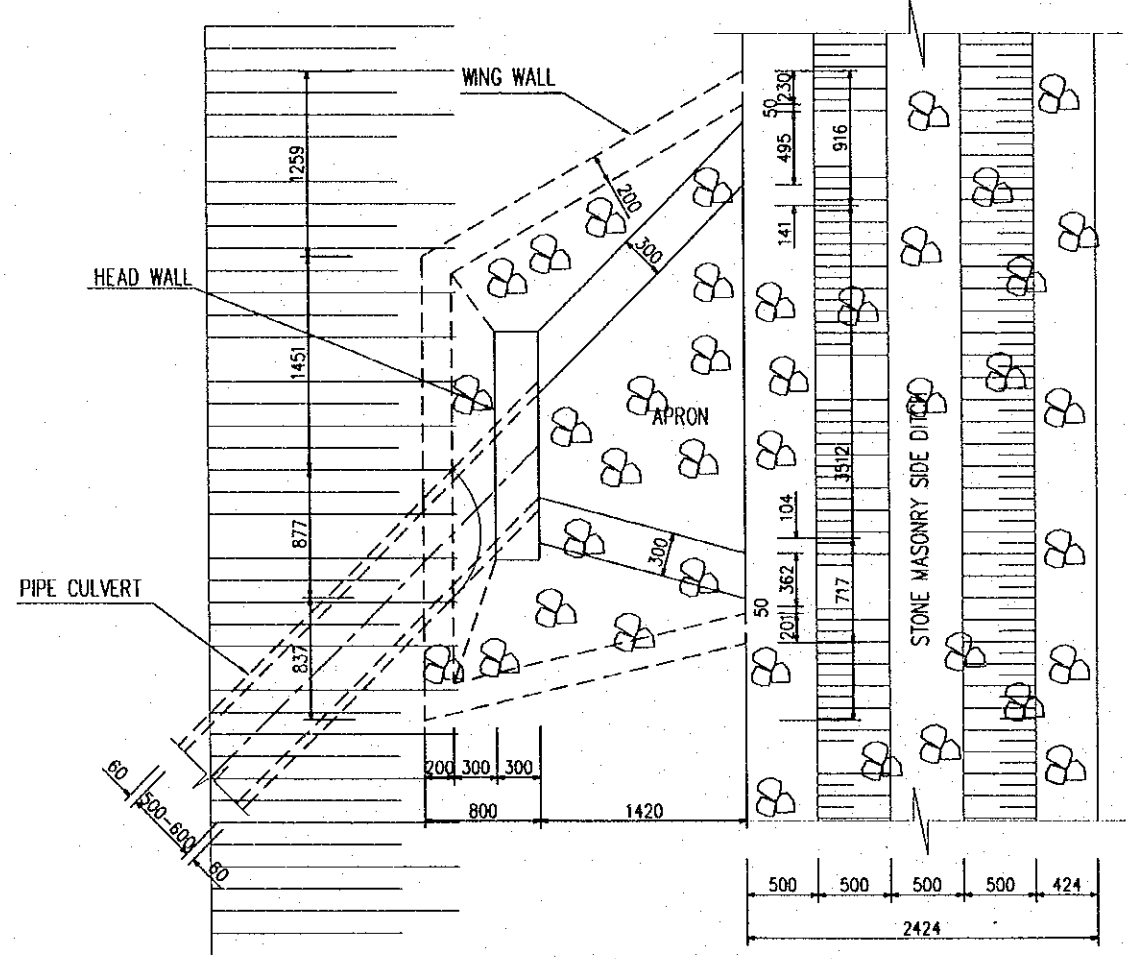
| PROJECT NAME | IMPLEMENTATION AGENCY | EXECUTING AGENCY | JICA STUDY TEAM | PREPARED BY | CHECKED BY | APPROVED BY | DRAWING TITLE | DWG NO. |
|--|--|---|---------------------------|--|---|--|---|---------|
| DETAILED DESIGN OF THE CAN THO BRIDGE CONSTRUCTION PROJECT | JICA JAPAN INTERNATIONAL COOPERATION AGENCY (JICA) | SOCIALIST REPUBLIC OF VIET NAM MINISTRY OF TRANSPORT (MOT) MY THUAN PROJECT MANAGEMENT UNIT | (NK) NIPPON KOEI CO.,LTD. | NAME: VO HY HAI SIGNATURE: <i>VO HY HAI</i> DATE: 4.4.2000 | NAME: NGUYEN TRUNG SIGNATURE: <i>TRUNG</i> DATE: 04/04/2000 | NAME: FUJITA SIGNATURE: <i>FUJITA</i> DATE: 03/04/2000 | DETAILED OF DRAINAGE STRUCTURE U-TYPE GRATING COVER | 18/25 |



SECTION SCALE 1:50



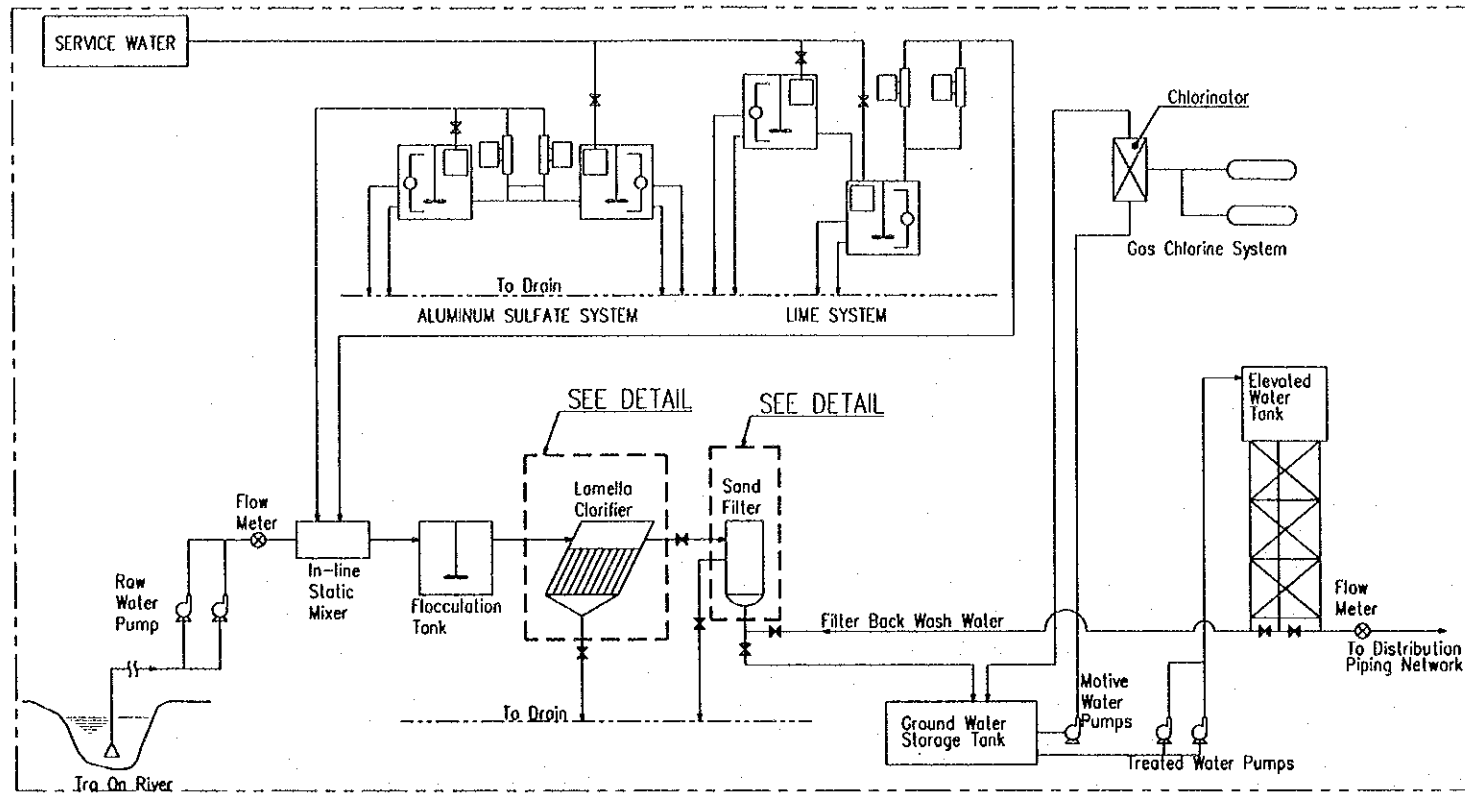
PIPE BEDDING SCALE 1:50



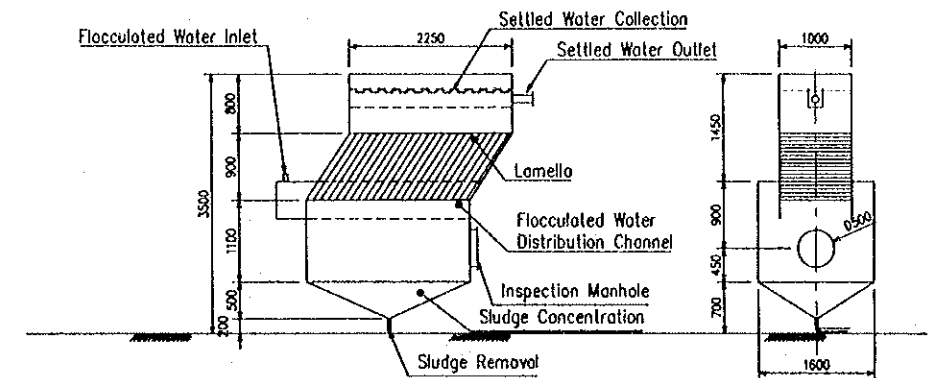
PLAN OF PIPE CULVERT AND OUTLET SCALE 1:50

PIPE CULVERT OUTLET AND SIDE DITCH

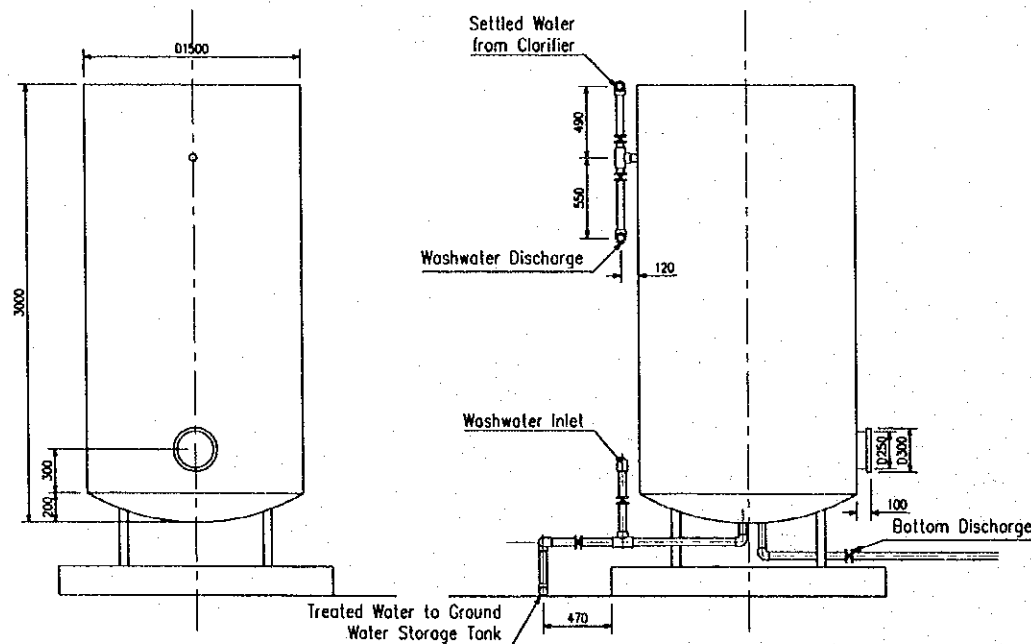
| PROJECT NAME | IMPLEMENTATION AGENCY | EXECUTING AGENCY | JICA STUDY TEAM | PREPARED BY | CHECKED BY | APPROVED BY | DRAWING TITLE | DWG NO. |
|--|--|---|---------------------------|--|--|--|--|---------|
| DETAILED DESIGN OF THE CAN THO BRIDGE CONSTRUCTION PROJECT | JICA JAPAN INTERNATIONAL COOPERATION AGENCY (JICA) | SOCIALIST REPUBLIC OF VIET NAM MINISTRY OF TRANSPORT (MOT) MY THUAN PROJECT MANAGEMENT UNIT | (NK) NIPPON KOEI CO.,LTD. | NAME: VO HY HAI SIGNATURE: <i>VO HY HAI</i> DATE: 4.4.2000 | NAME: NGUYEN TRUNG SIGNATURE: <i>NGUYEN TRUNG</i> DATE: 04/04/2000 | NAME: M. FUJIKAWA SIGNATURE: <i>M. FUJIKAWA</i> DATE: 05/04/2000 | DETAILED OF DRAINAGE STRUCTURE PLAN OF PIPE CULVERT AND OUTLET | 19/25 |



WATER TREATMENT PLANT DIAGRAM NOT TO SCALE



LAMELLA CLARIFIER SCALE 1:100



SAND FILTER TANK SCALE 1:50

ON PHYSICAL - CHEMICAL ASPECTS

(The temporary criteria issued according to the Decision 505 BYT dated 13.4.1992)

| No | Parameter | Unit | Urban Area | Country Side |
|----|----------------------|--------|------------|--------------|
| 1 | Clearness Sneller | cm | > 30 | > 25 |
| 2 | Color | degree | < 10 | < 10 |
| 3 | Odour, taste | point | 0 | 0 |
| 4 | Suspended solid | mg/l | 5 | 20 |
| 5 | Total dry solid | mg/l | 500 | 1000 |
| 6 | pH | - | 6.5 - 8.5 | 6.5 - 8.5 |
| 7 | Hardness | mg/l | 500 | 500 |
| 8 | Chlorides | mg/l | | |
| | - Coastal area | mg/l | 400 | 500 |
| | - Inland | mg/l | 250 | 250 |
| 9 | Oxidation (Organic) | mg/l | 0.5 - 0.2 | 2.0 - 4.0 |
| 10 | Ammonium | mg/l | | |
| | - Surface water | mg/l | 0 | 0 |
| | - Ground water | mg/l | 3 | 3 |
| 11 | Nitrites (NO2) | mg/l | 0 | 0 |
| 12 | Nitrates (NO3) | mg/l | 10 | 10 |
| 13 | Aluminum (Al) | mg/l | 0.2 | 0.2 |
| 14 | Copper (Cu) | mg/l | 1 | 1 |
| 15 | Iron (Fe) | mg/l | 0.3 | 0.5 |
| 16 | Manganese (Mn) | mg/l | 0.1 | 0.1 |
| 17 | Sodium (Na) | mg/l | 200 | 200 |
| 18 | Sulfates (SO4) | mg/l | 400 | 400 |
| 19 | Zinc (Zn) | mg/l | 5 | 5 |
| 20 | Hydrogen Sulfide (S) | mg/l | 0 | 0 |

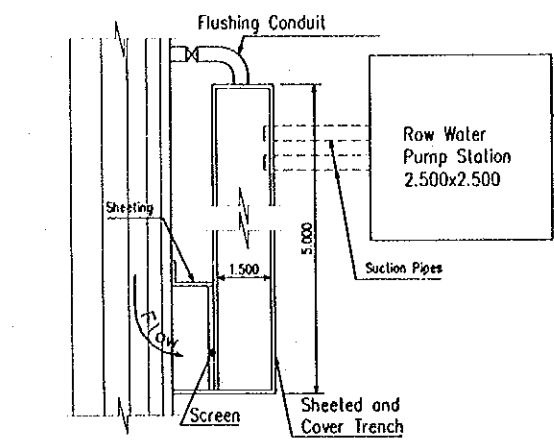
ON MICROBIOLOGICAL AND CREATUREL ASPECTS

(The temporary criteria issued according to the Decision 505 BYT dated 13.4.1992)

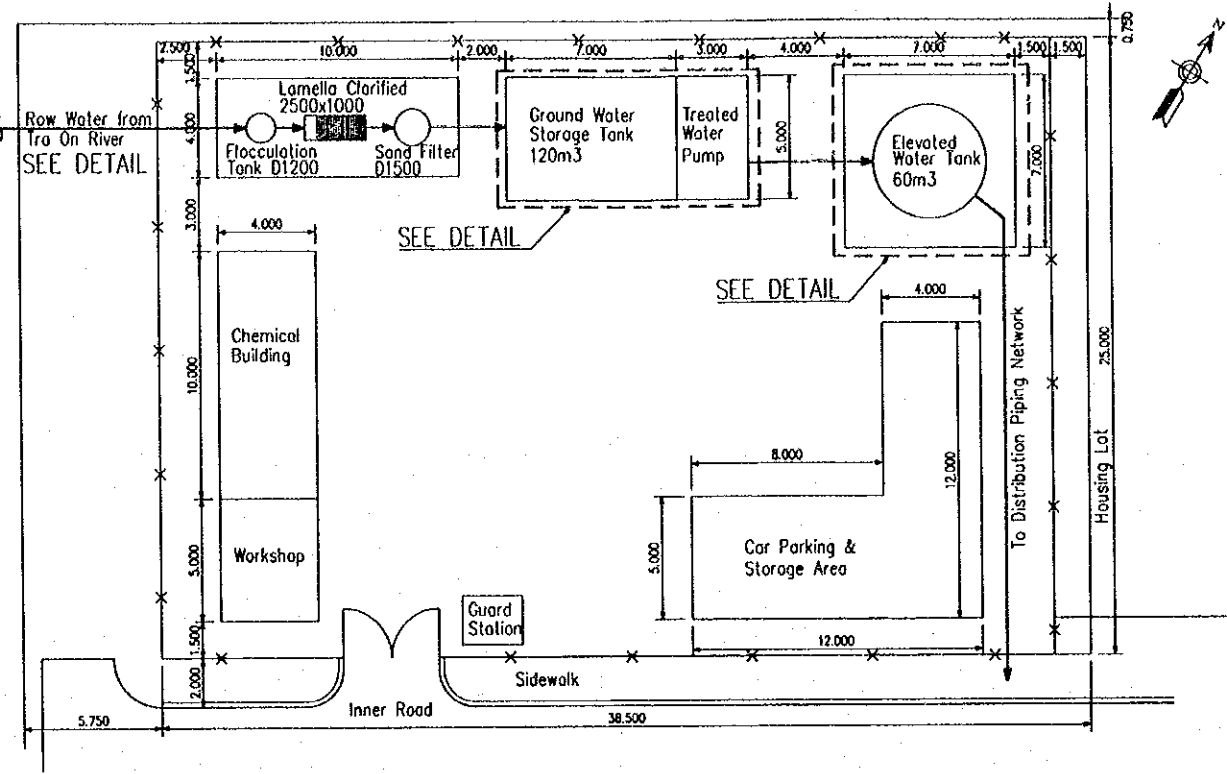
| No | Parameters | Unit | Value | Remark |
|-----------------------------|---|------|--------------|--|
| I | MICROBIOLOGICAL CRITERIA | | | |
| | A. Water supply by piping system | | | |
| | 1. Treated water in network | | | Turbidity 1 NTU |
| | - Faecal coliforms/100ml | | 0 | Desinfection with Chlorine, pH=8.0 |
| | - Coliforms Organisms/100ml | | 0 | Contacting time 30 min. and residual chlorine 0.2-0.5 mg/l |
| | 2. No treatment performed in network | | 0 | With 98% admissible samples a year |
| | - Faecal coliforms/100ml | | 0 | |
| | - Coliforms Organisms/100ml | | < 3 | Occasionally |
| | 3. Water in network | | 0 | With 98% admissible samples a year |
| | - Faecal coliforms/100ml | | 0 | |
| - Coliforms Organisms/100ml | | < 3 | Occasionally | |
| B. | Water supplied without piping system | | | |
| | - Faecal coliforms/100ml | | 0 | Not often. And if it is often a sanitary check & water source protection measurement should be taken |
| | - Coliforms Organisms/100ml | | 10 | |
| | | | 0 | |
| C. | Bottled water | | | |
| | - Faecal coliforms/100ml | | 0 | |
| - Coliforms Organisms/100ml | | 0 | | |
| D. | Emergency water supply system | | | |
| | - Faecal coliforms/100ml | | 0 | In case of emergency water should be boiled |
| - Coliforms Organisms/100ml | | 0 | | |
| II | CREATUREL CRITERIA | | | |
| | - Protozoa | | 0 | |
| | - Helminths | | 0 | |
| | - Zoo plankton & algae | | 0 | |

WATER TREATMENT REQUIREMENT FOR DRINKING WATER

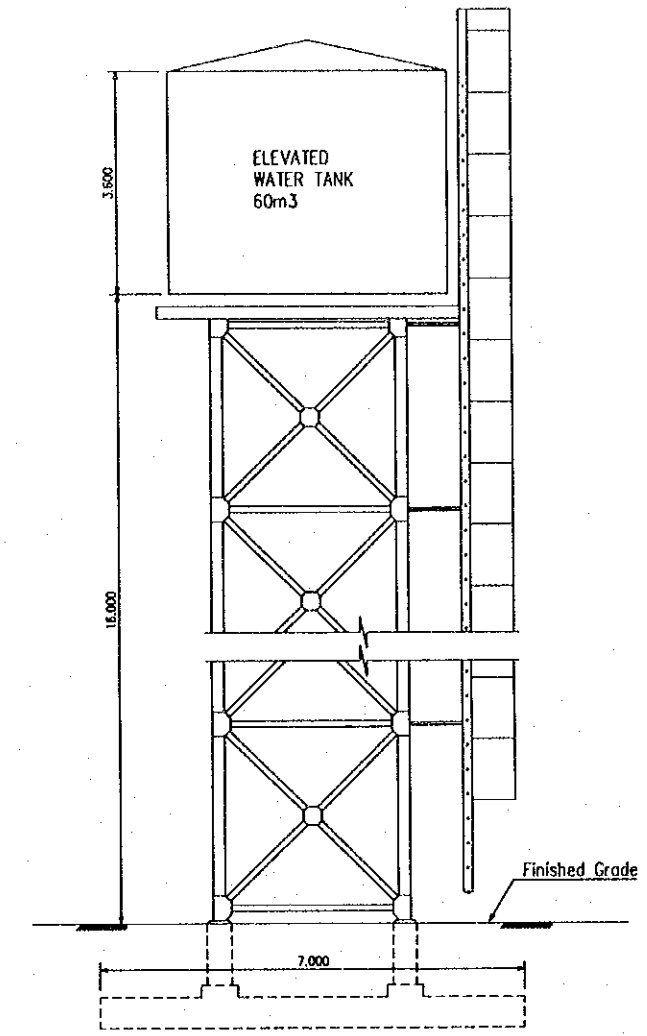
| PROJECT NAME | IMPLEMENTATION AGENCY | EXECUTING AGENCY | JICA STUDY TEAM | PREPARED BY | CHECKED BY | APPROVED BY | DRAWING TITLE | DWG NO. |
|--|--|---|----------------------------|---|--|---|-------------------------------------|---------|
| DETAILED DESIGN OF THE CAN THO BRIDGE CONSTRUCTION PROJECT | JICA JAPAN INTERNATIONAL COOPERATION AGENCY (JICA) | SOCIALIST REPUBLIC OF VIET NAM MINISTRY OF TRANSPORT (MOT) MY THUAN PROJECT MANAGEMENT UNIT | (NKK) NIPPON KOEI CO.,LTD. | NAME: VO HY HAI SIGNATURE: [Signature] DATE: 4.4.2000 | NAME: TRAN Q. CU SIGNATURE: [Signature] DATE: 4.4.2000 | NAME: M. FUJIEAWA SIGNATURE: [Signature] DATE: 4/4/2000 | DETAILED OF WATER TREATMENT DIAGRAM | 20/25 |



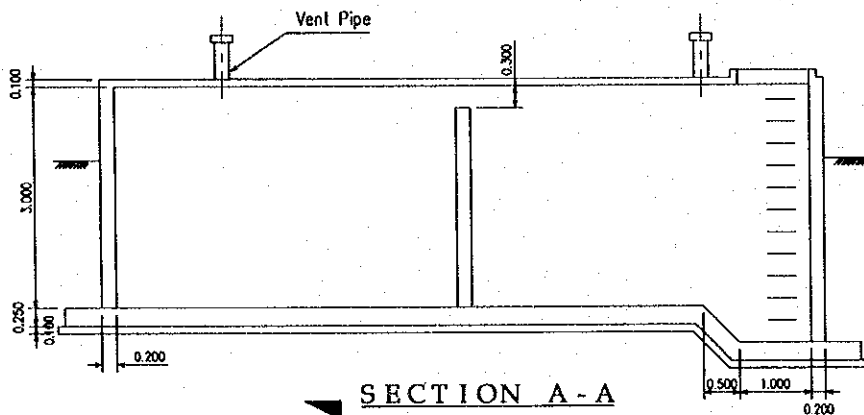
SECTION INTAKE NOT TO SCALE



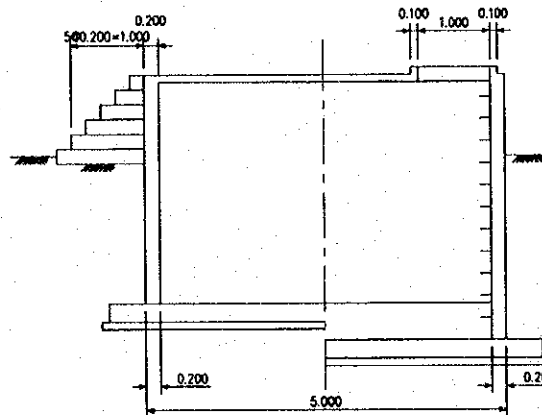
WATER TREATMENT PLANT LAYOUT PLAN SCALE 1:300



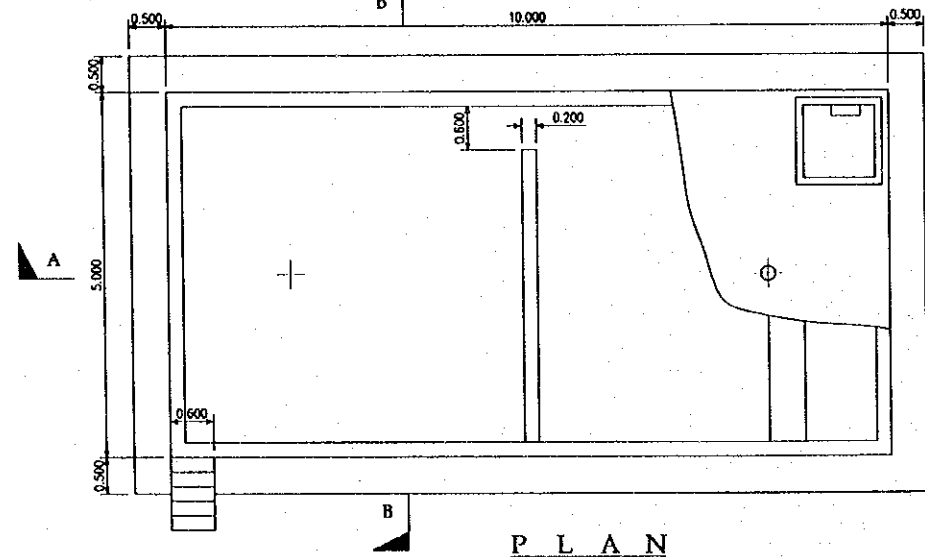
ELEVATION



SECTION A - A

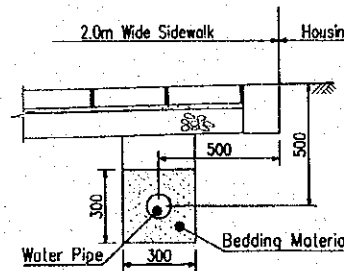


SECTION B - B

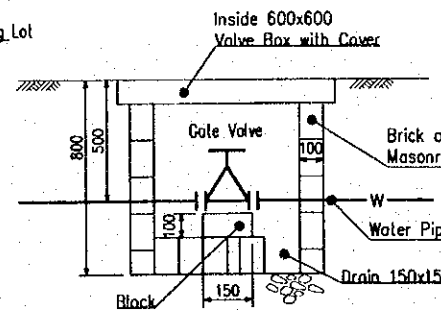


PLAN

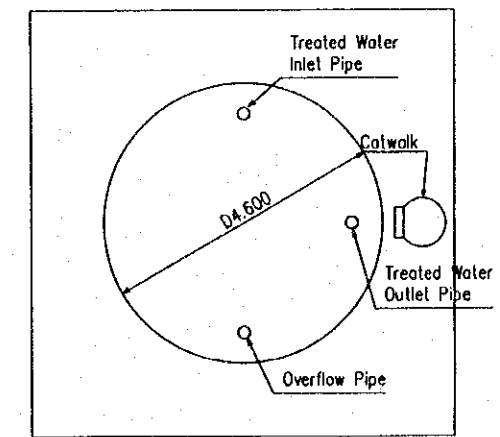
GROUND WATER STORAGE TANK SCALE 1:100



PIPE BEDDING NOT TO SCALE



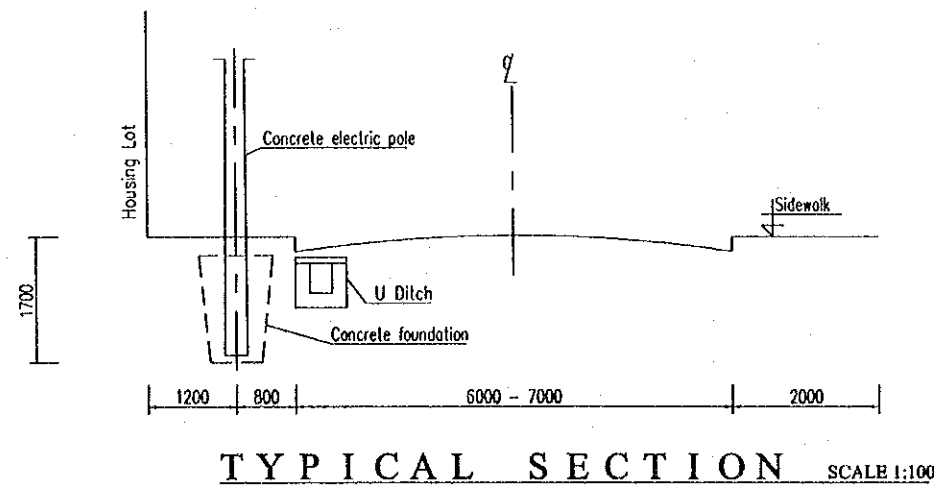
GATE VALVE BOX NOT TO SCALE



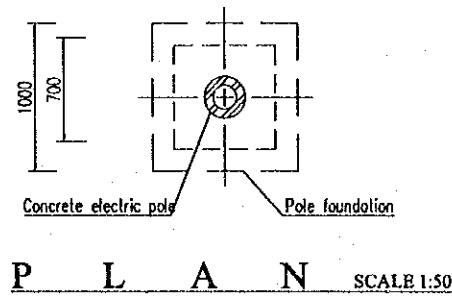
PLAN

ELEVATED WATER TANK SCALE 1:100

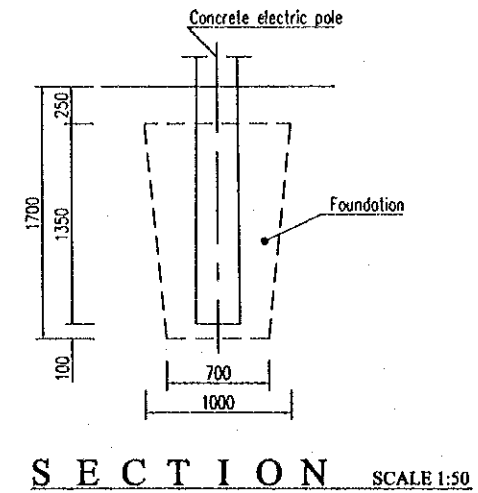
| PROJECT NAME | IMPLEMENTATION AGENCY | EXECUTING AGENCY | JICA STUDY TEAM | PREPARED BY | CHECKED BY | APPROVED BY | DRAWING TITLE | DWG NO. |
|--|--|---|---------------------------|---|---|---|-----------------------------------|---------|
| DETAILED DESIGN OF THE CAN THO BRIDGE CONSTRUCTION PROJECT | JICA JAPAN INTERNATIONAL COOPERATION AGENCY (JICA) | SOCIALIST REPUBLIC OF VIET NAM MINISTRY OF TRANSPORT (MOT) MY THUAN PROJECT MANAGEMENT UNIT | (NK) NIPPON KOEI CO.,LTD. | NAME: VO HY HAI SIGNATURE: [Signature] DATE: 4.4.2000 | NAME: TRAN B-CU SIGNATURE: [Signature] DATE: 4.4.2000 | NAME: H. FUJIKAWA SIGNATURE: [Signature] DATE: 05/04/2000 | DETAILED OF WATER TREATMENT PLANT | 21/25 |



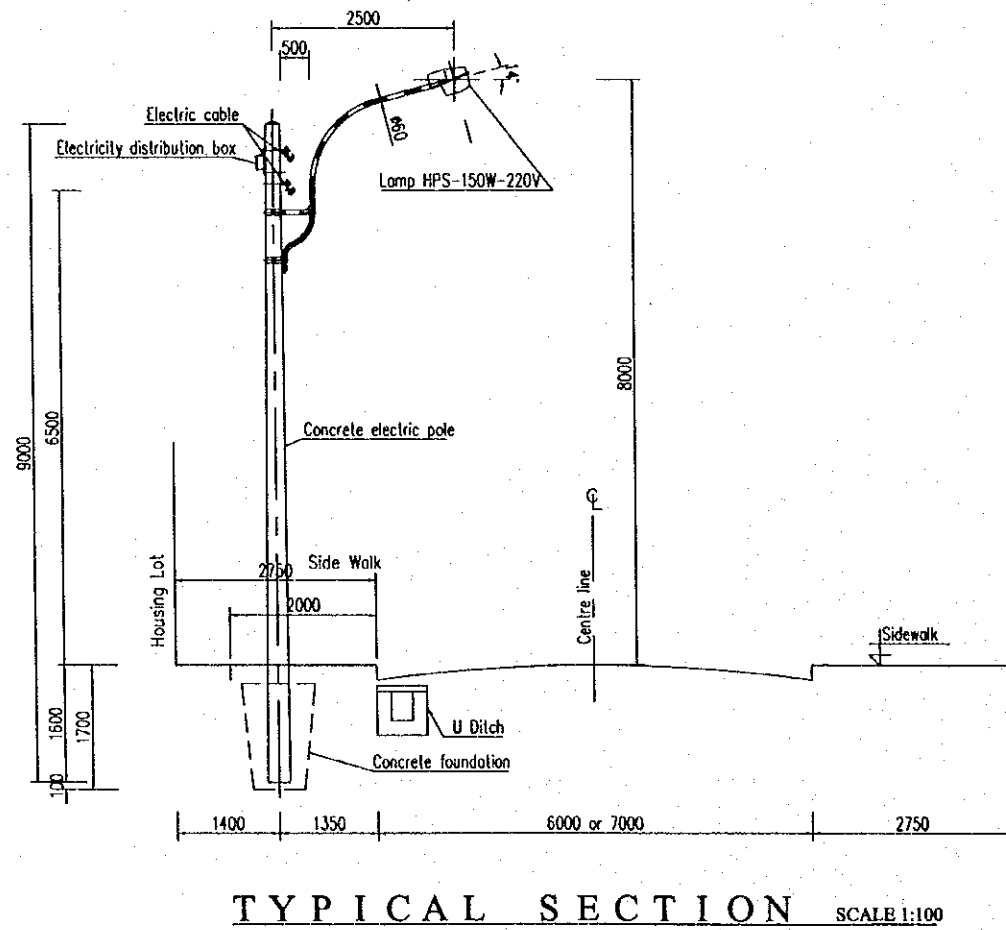
TYPICAL SECTION SCALE 1:100



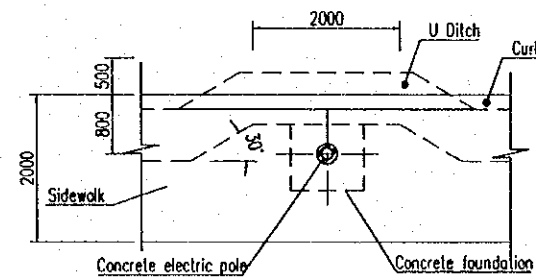
P L A N SCALE 1:50



SECTION SCALE 1:50

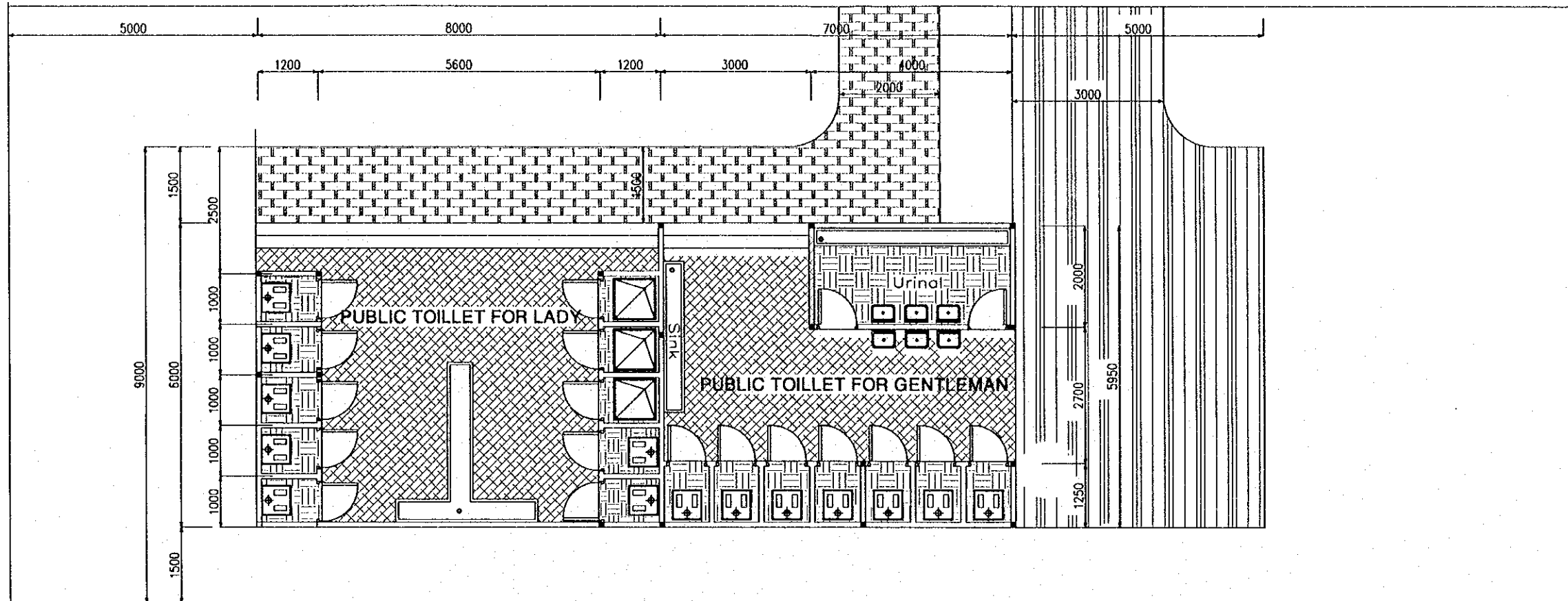


TYPICAL SECTION SCALE 1:100

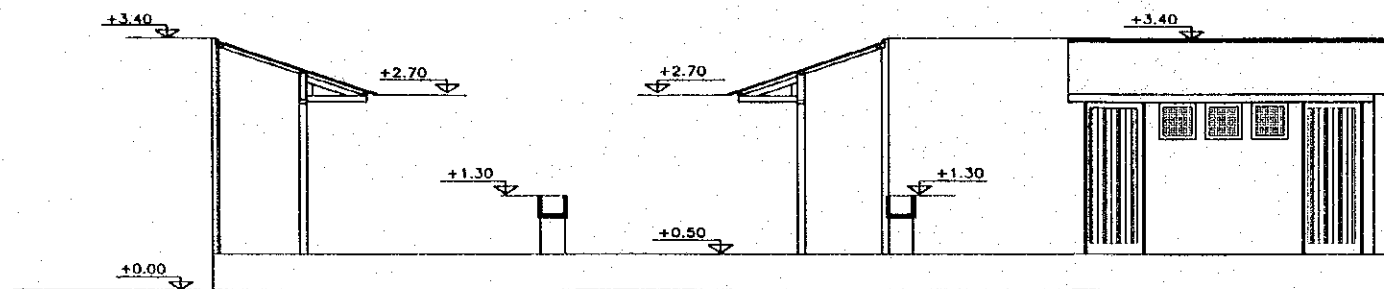


INSTALL DITCH AT FOUNDATION SCALE 1:100

| PROJECT NAME | IMPLEMENTATION AGENCY | EXECUTING AGENCY | JICA STUDY TEAM | PREPARED BY | CHECKED BY | APPROVED BY | DRAWING TITLE | DWG NO. |
|--|--|---|----------------------------|---|---|---|--------------------|---------|
| DETAILED DESIGN OF THE CAN THO BRIDGE CONSTRUCTION PROJECT | JICA JAPAN INTERNATIONAL COOPERATION AGENCY (JICA) | SOCIALIST REPUBLIC OF VIET NAM MINISTRY OF TRANSPORT (MOT) MY THUAN PROJECT MANAGEMENT UNIT | (NK) NIPPON KOBI CO., LTD. | NAME: BUI KY THUY SIGNATURE: [Signature] DATE: 04/04/2000 | NAME: BUI KY THUY SIGNATURE: [Signature] DATE: 04/04/2000 | NAME: M. FUJIKAWA SIGNATURE: [Signature] DATE: 04/04/2000 | ELECTRICAL DETAILS | 22/25 |



F L O O R P L A N

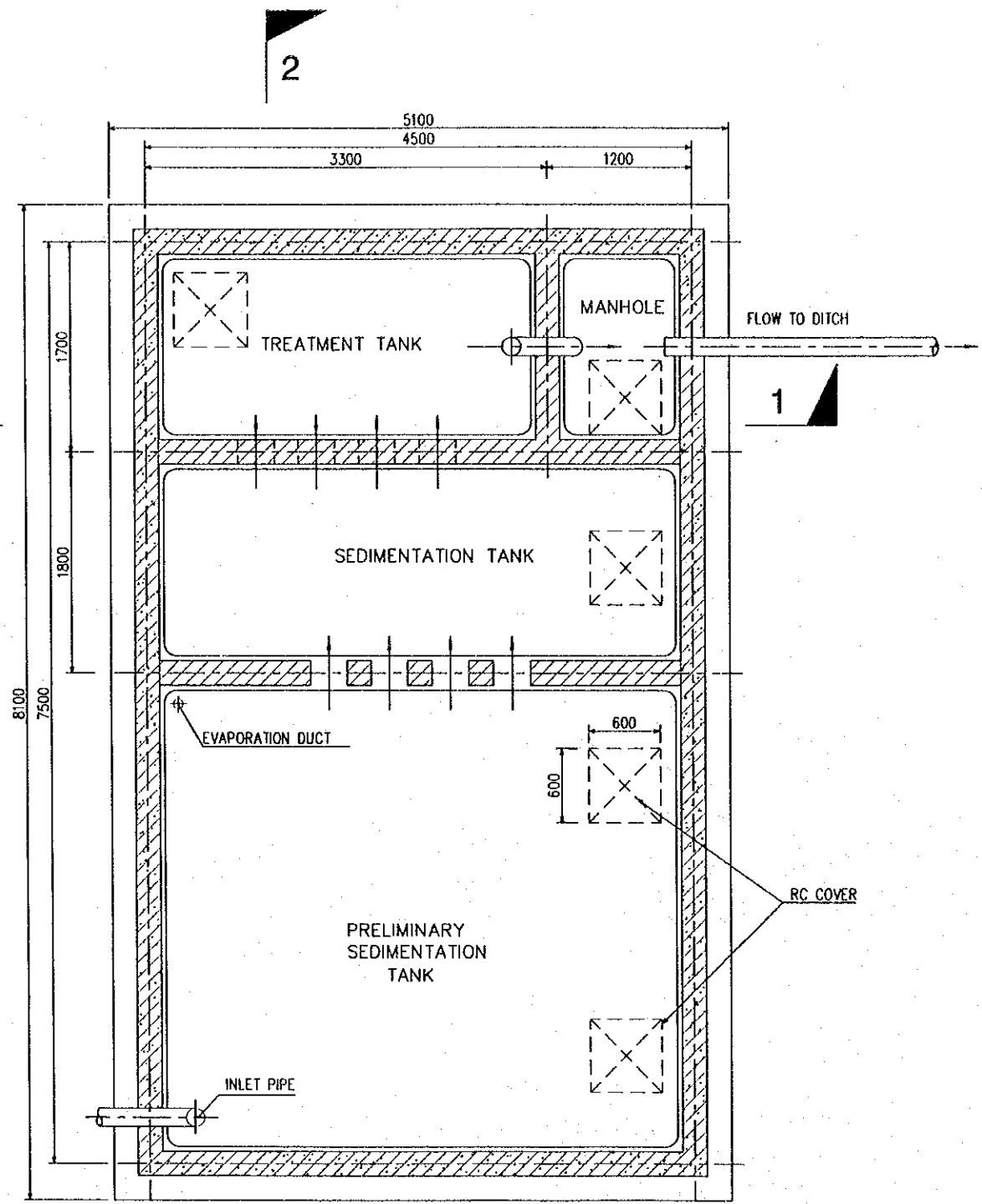


E L E V A T I O N

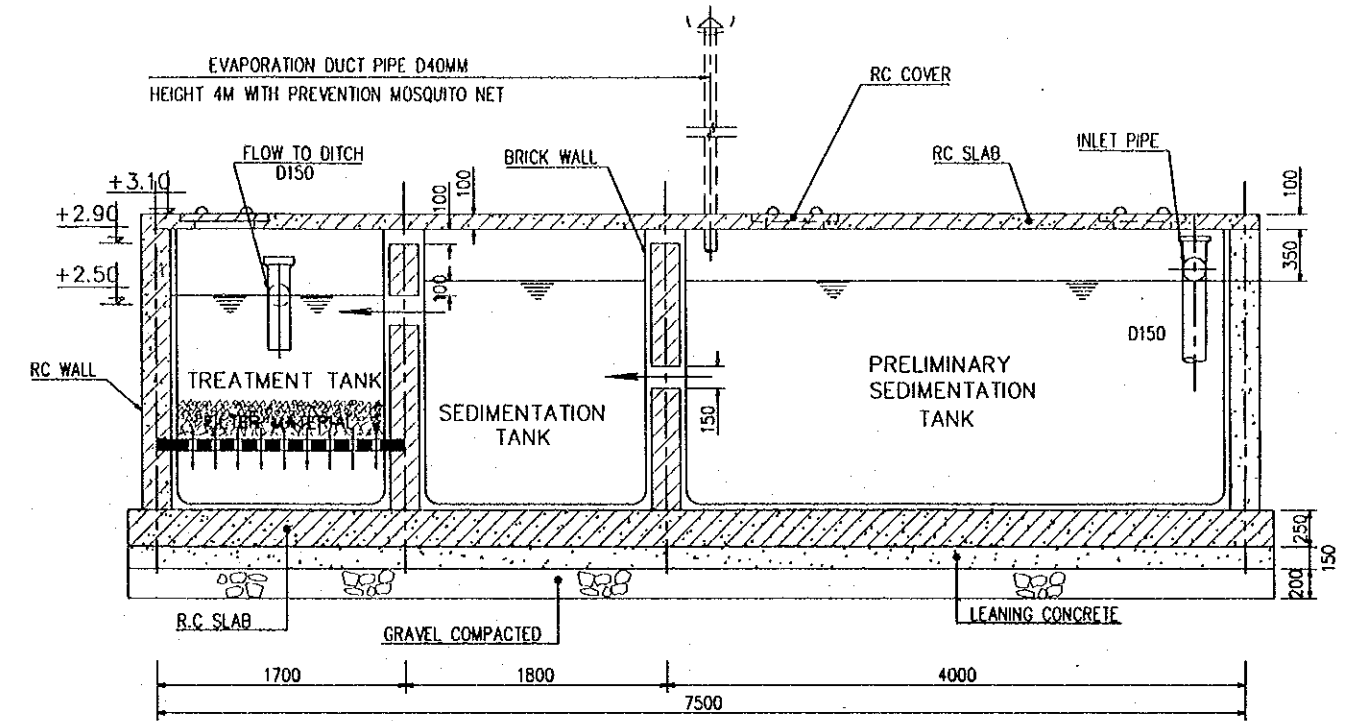
ARCHITECT - PUBLIC TOILET LAYOUT PLAN

SCALE 1:100

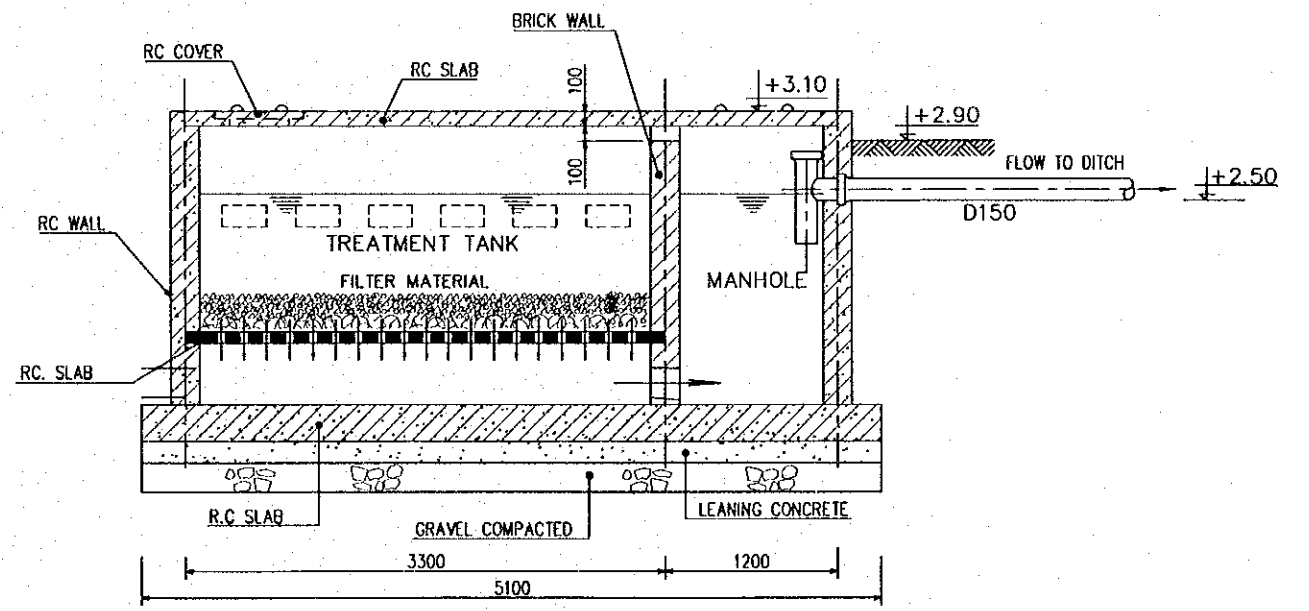
| PROJECT NAME | IMPLEMENTATION AGENCY | EXECUTING AGENCY | JICA STUDY TEAM | PREPARED BY | CHECKED BY | APPROVED BY | DRAWING TITLE | DWG NO. |
|--|--|---|---------------------------|--|--|---|--|---------|
| DETAILED DESIGN OF THE CAN THO BRIDGE CONSTRUCTION PROJECT | JICA JAPAN INTERNATIONAL COOPERATION AGENCY (JICA) | SOCIALIST REPUBLIC OF VIET NAM MINISTRY OF TRANSPORT (MOT) MY THUAN PROJECT MANAGEMENT UNIT | (NK) NIPPON KOEI CO.,LTD. | NAME: LÊ THỊ VÂN PHU SIGNATURE: [Signature] DATE: 1-4-2000 | NAME: LÊ THỊ VÂN PHU SIGNATURE: [Signature] DATE: 1-4-2000 | NAME: H. FUJIKAWA SIGNATURE: [Signature] DATE: 05/04/2000 | ARCHITECT - PUBLIC TOILET FLOOR PLAN AND ELEVATION | 23/25 |



P L A N



SECTION 2 - 2

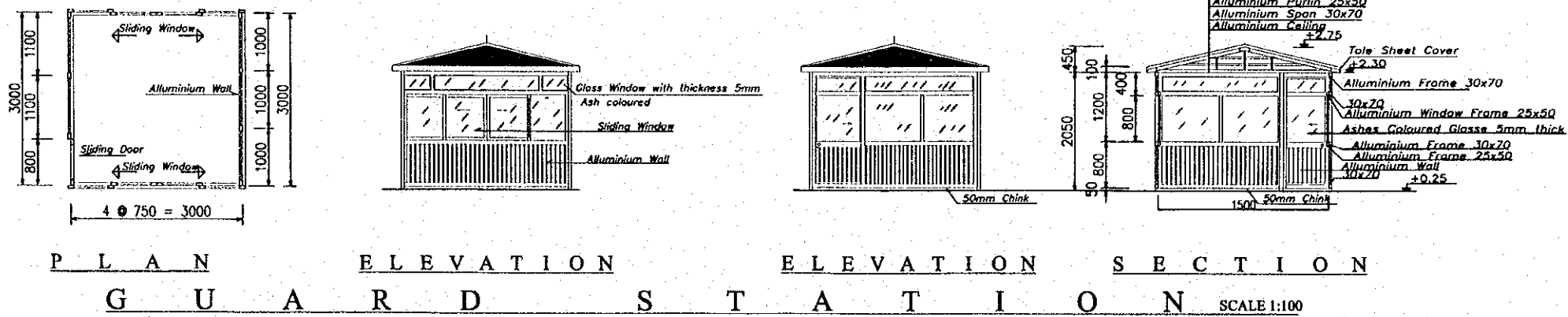
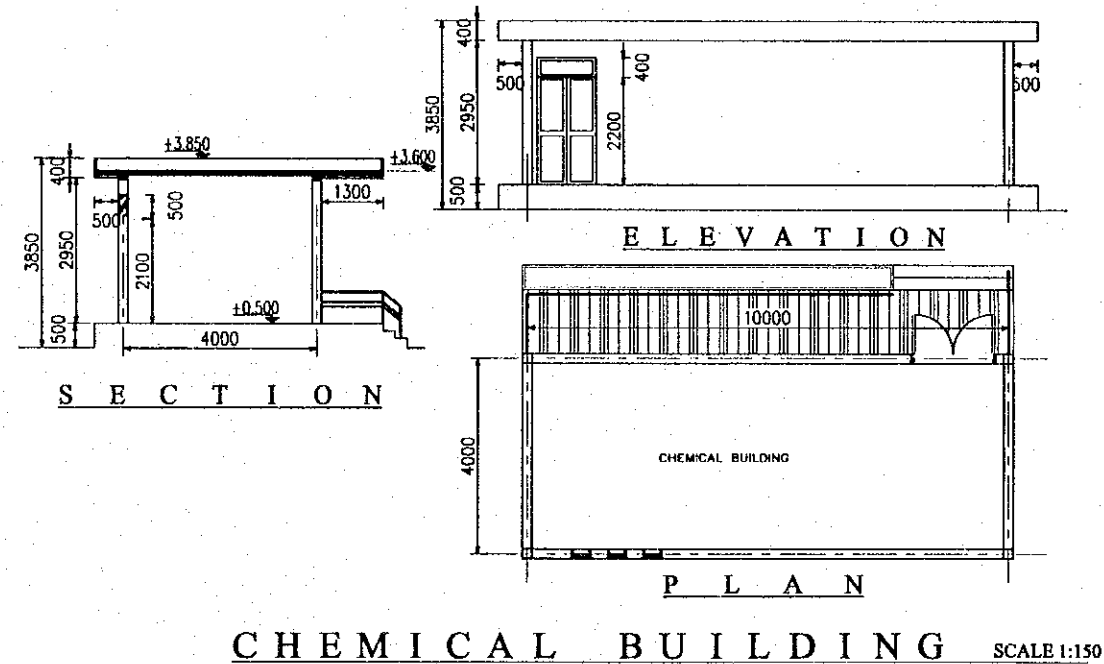
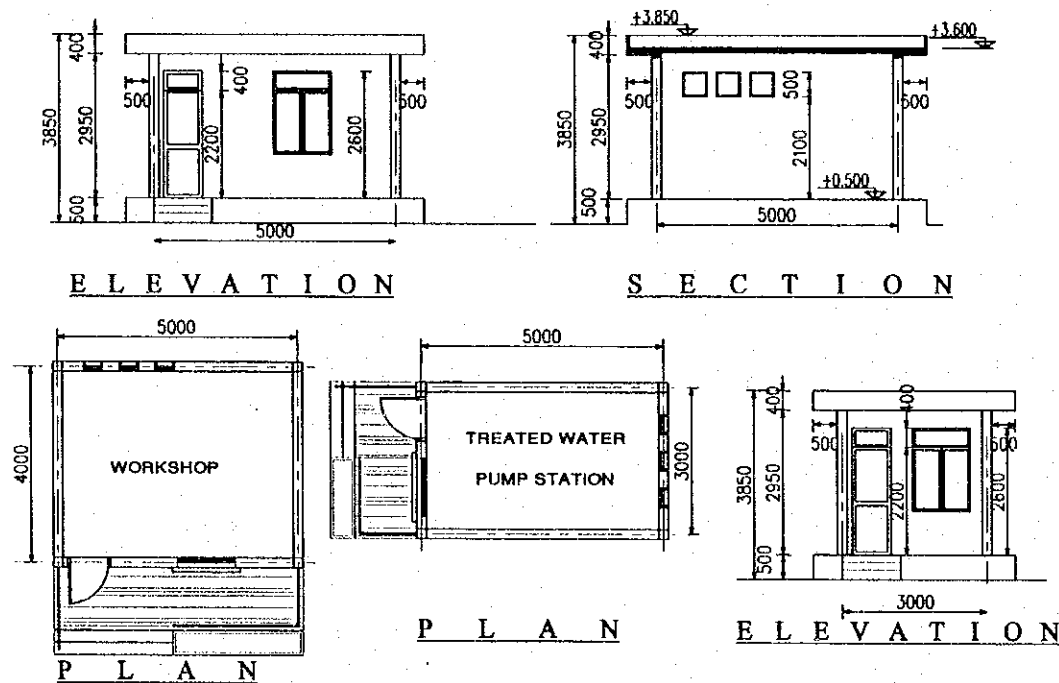
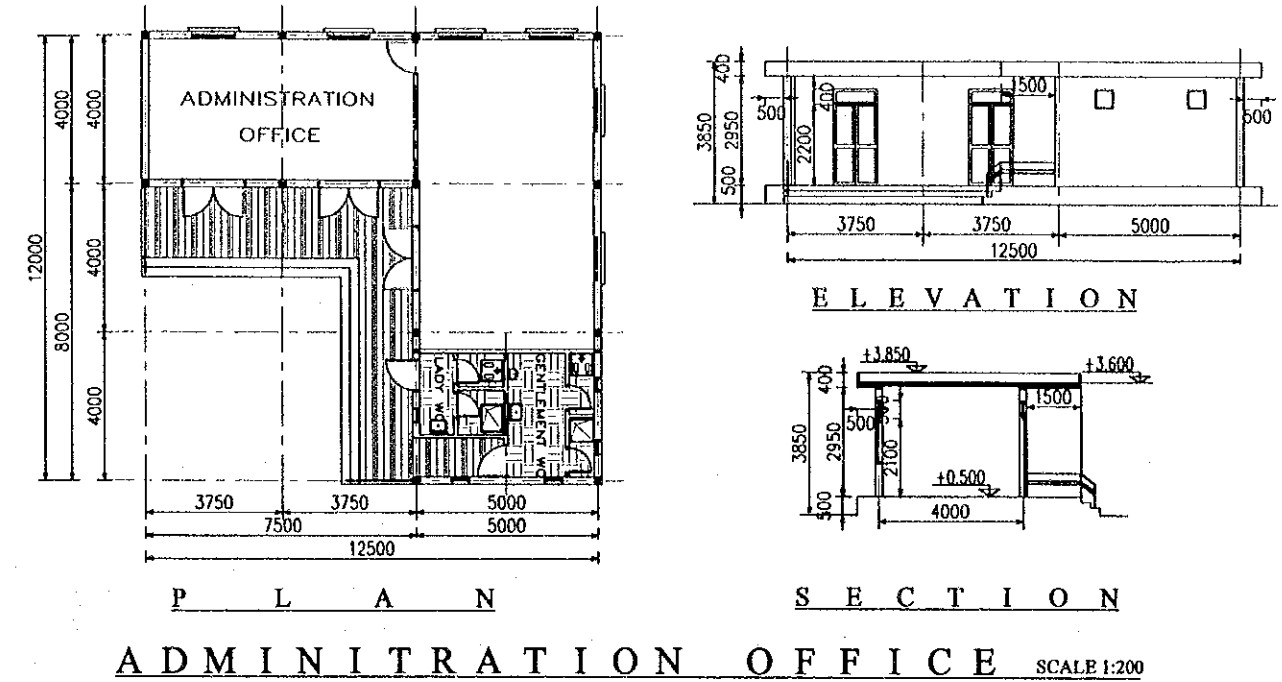
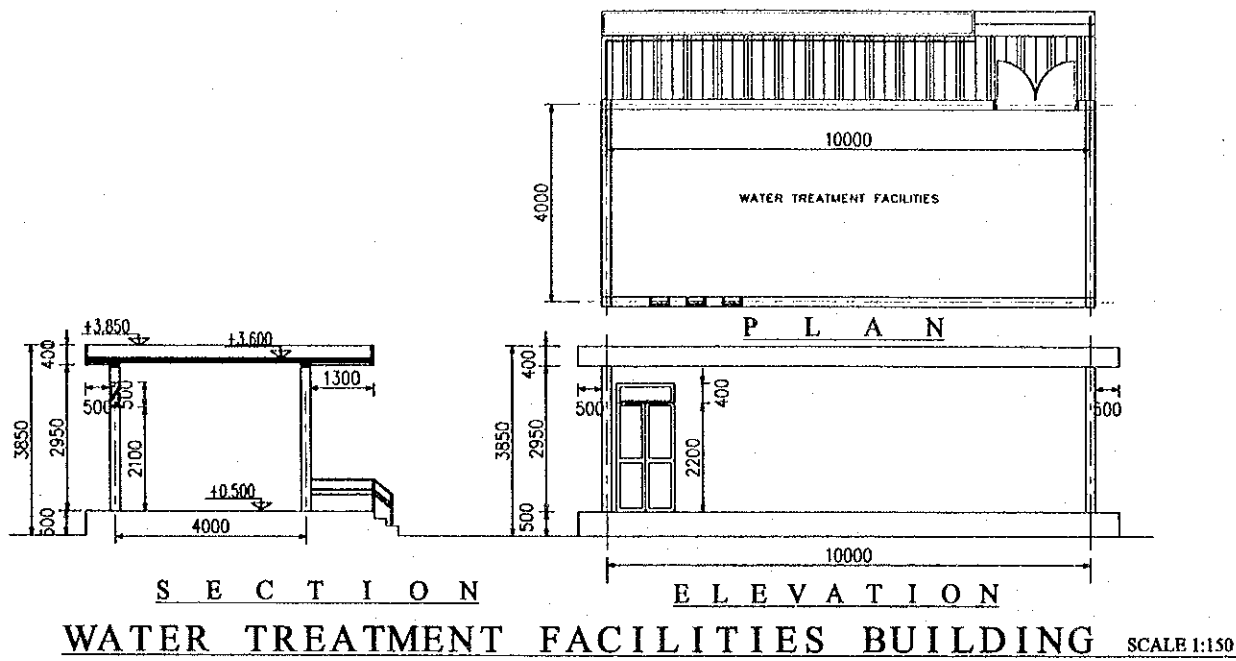


SECTION 1 - 1

DETAILS OF SEPTIC TANK

SCALE 1:50

| | | | | | | | | |
|--|--|---|--|--|---|--|---|------------------|
| PROJECT NAME DETAILED DESIGN OF THE CAN THO BRIDGE CONSTRUCTION PROJECT | IMPLEMENTATION AGENCY JICA JAPAN INTERNATIONAL COOPERATION AGENCY (JICA) | EXECUTING AGENCY SOCIALIST REPUBLIC OF VIET NAM MINISTRY OF TRANSPORT (MOT) MY THUAN PROJECT MANAGEMENT UNIT | JICA STUDY TEAM NIPPON KOBI CO., LTD. | PREPARED BY NAME: LÊ THỊ VÀNH PHI SIGNATURE: [Signature] DATE: 4-4-2000 | CHECKED BY NAME: LÊ THỊ VÀNH PHI SIGNATURE: [Signature] DATE: 4-4-2000 | APPROVED BY NAME: M. FUJIKAWA SIGNATURE: [Signature] DATE: 4-4-2000 | DRAWING TITLE DETAILS OF SEPTIC TANK | DWG NO. 24/25 |
|--|--|---|--|--|---|--|---|------------------|



ARCHITECT - WATER TREATMENT PLANT

| PROJECT NAME | IMPLEMENTATION AGENCY | EXECUTING AGENCY | JICA STUDY TEAM | PREPARED BY | CHECKED BY | APPROVED BY | DRAWING TITLE | DWG NO. |
|--|--|---|---------------------------|--|--|---|------------------------------------|---------|
| DETAILED DESIGN OF THE CAN THO BRIDGE CONSTRUCTION PROJECT | JICA JAPAN INTERNATIONAL COOPERATION AGENCY (JICA) | SOCIALIST REPUBLIC OF VIET NAM MINISTRY OF TRANSPORT (MOT) MY THUAN PROJECT MANAGEMENT UNIT | (NK) NIPPON KOEI CO.,LTD. | NAME: Le Thi Van Phi SIGNATURE: [Signature] DATE: 1-1-2000 | NAME: Le Thi Van Phi SIGNATURE: [Signature] DATE: 1-1-2000 | NAME: M. FUJIKAWA SIGNATURE: [Signature] DATE: 6/1/2000 | ARCHITECT OF WATER TREATMENT PLANT | 25/25 |

JICA