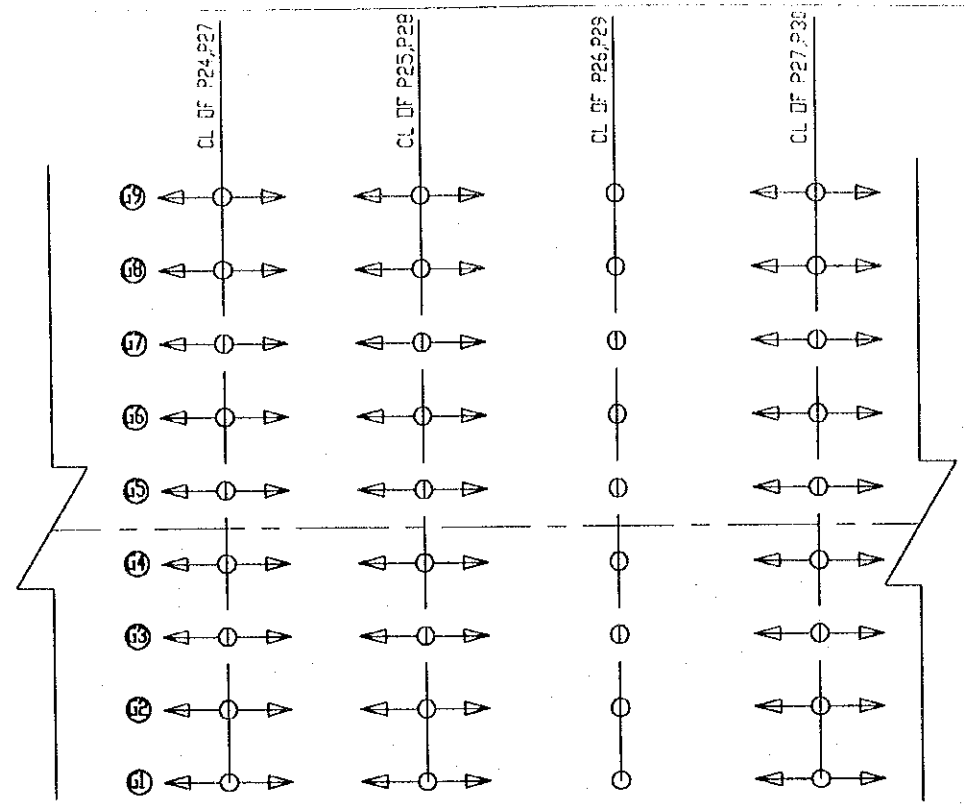
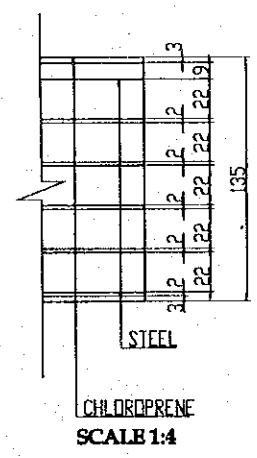
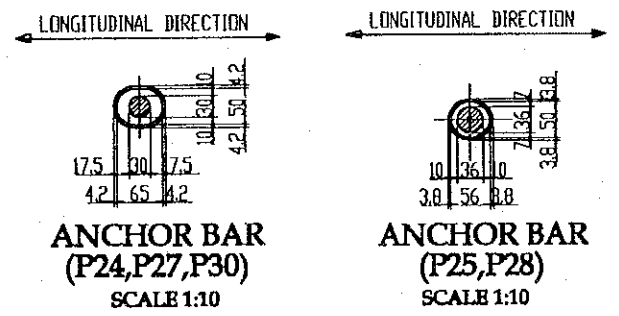
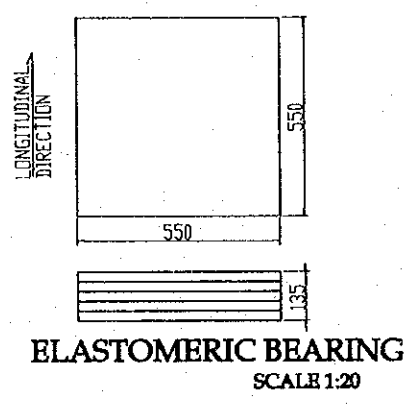
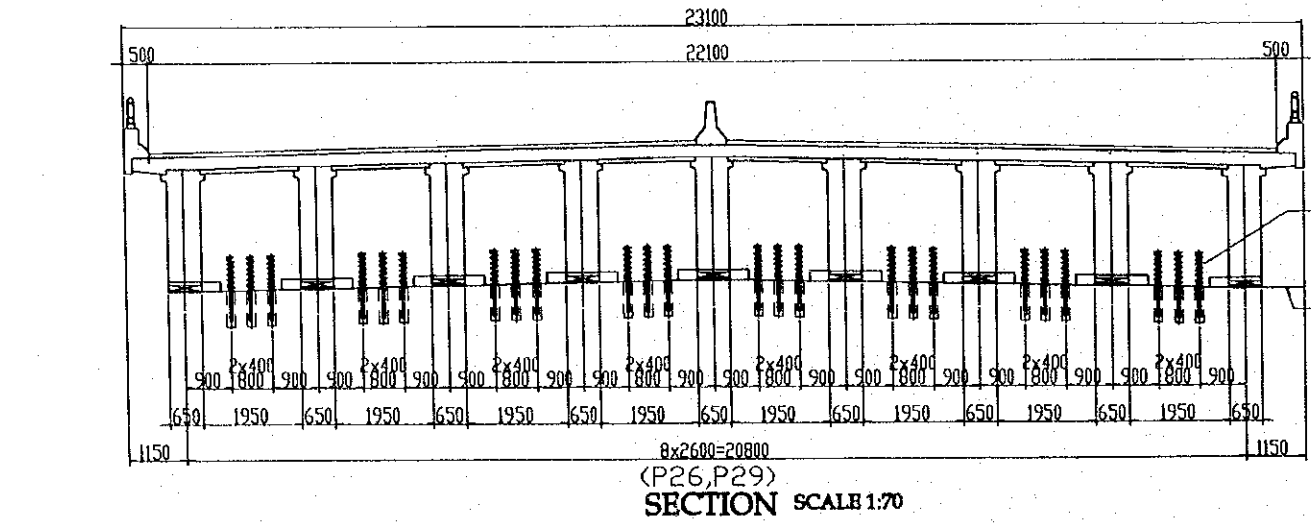
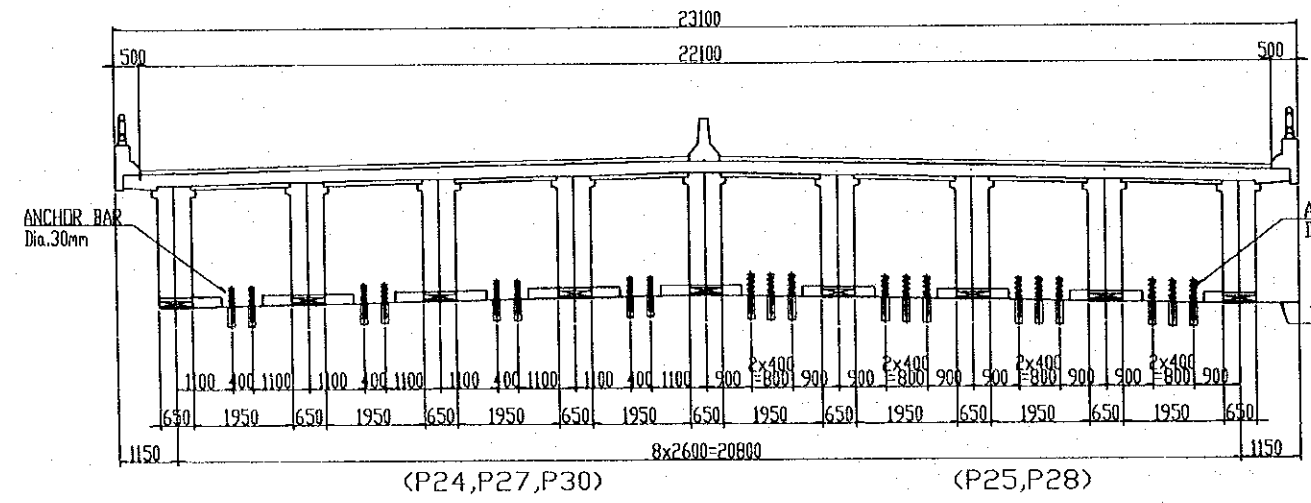
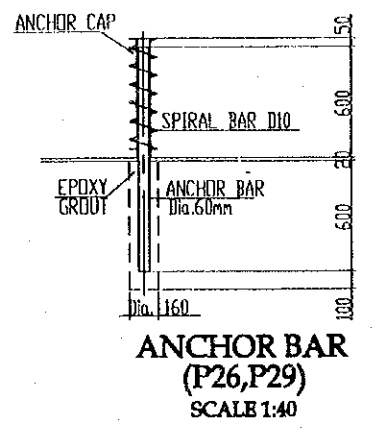
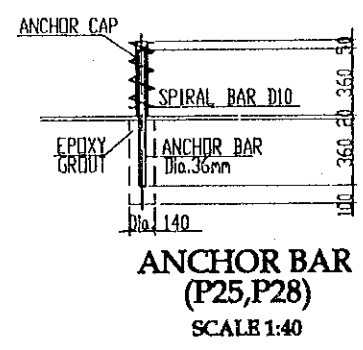
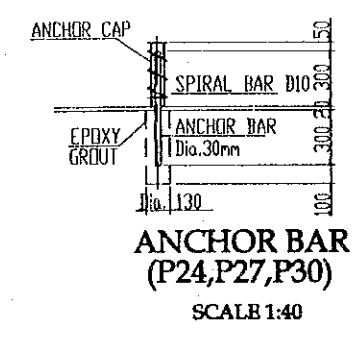


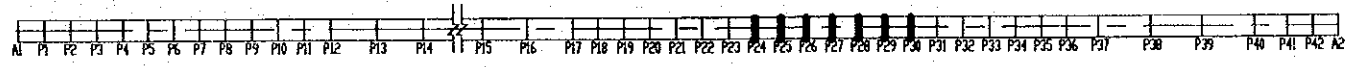
VI.MISCELLANEOUS



BEARING LAYOUT KEY
 DENOTES GUIDE SLIDING BEARING MOVEMENT
 (IN THE GIVEN BY THE ARROWS)

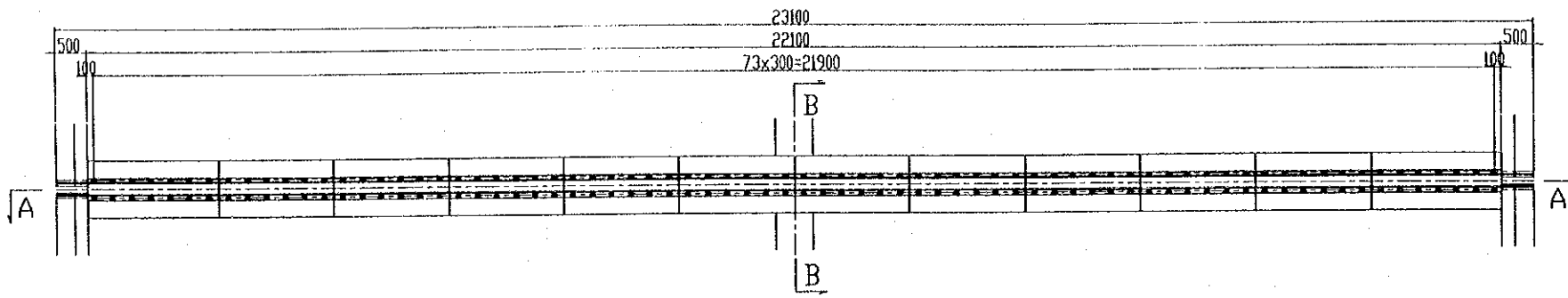


MARKING DIAGRAM

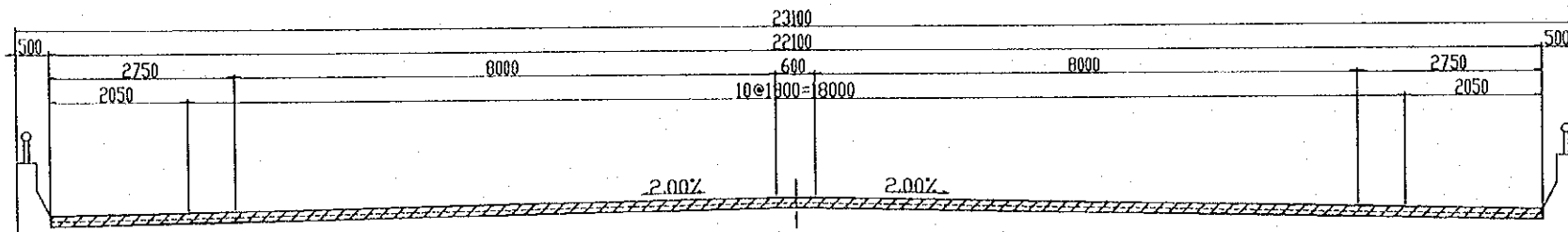


PROJECT NAME DETAILED DESIGN OF THE CAN THO BRIDGE CONSTRUCTION PROJECT	IMPLEMENTATION AGENCY JICA JAPAN INTERNATIONAL COOPERATION AGENCY (JICA)	EXECUTING AGENCY SOCIALIST REPUBLIC OF VIET NAM MINISTRY OF TRANSPORT (MOT) MY THUAN PROJECT MANAGEMENT UNIT	JICA STUDY TEAM NIPON KOEI CO.,LTD.	PREPARED BY NAME: S. Kiguchi SIGNATURE: <i>S. Kiguchi</i> DATE: 20/9/2000	CHECKED BY NAME: K. Matsumoto SIGNATURE: <i>K. Matsumoto</i> DATE: 29/9/2000	APPROVED BY NAME: K. Enomoto SIGNATURE: <i>K. Enomoto</i> DATE: 5/10/2000	DRAWING TITLE APPROACH BRIDGE-CANTHO SIDE(P17-P36) MISCELLANEOUS DETAIL OF BEARING(5)	DWG NO. P2/MC/0050
--	---	---	--	--	---	--	--	-----------------------

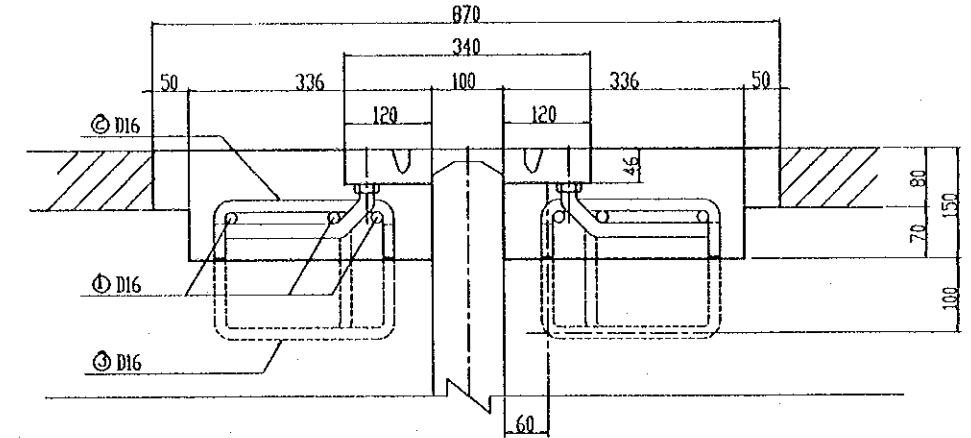
PLAN
SCALE 1:100



A-A SECTION

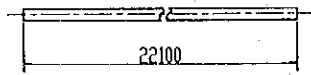


B-B SECTION
SCALE 1:10



REINFORCING BAR
SCALE 1:10

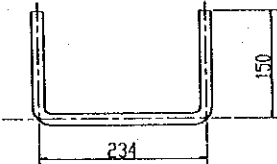
1 D16x22100



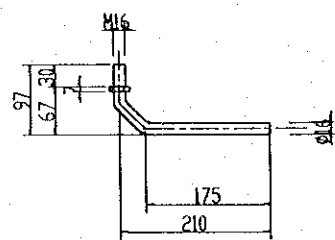
2 D16x340



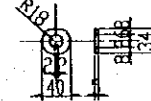
3 D16x500



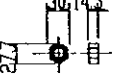
ANCHOR BOLT
SCALE 1:10



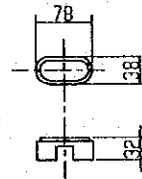
WASHER
SCALE 1:10



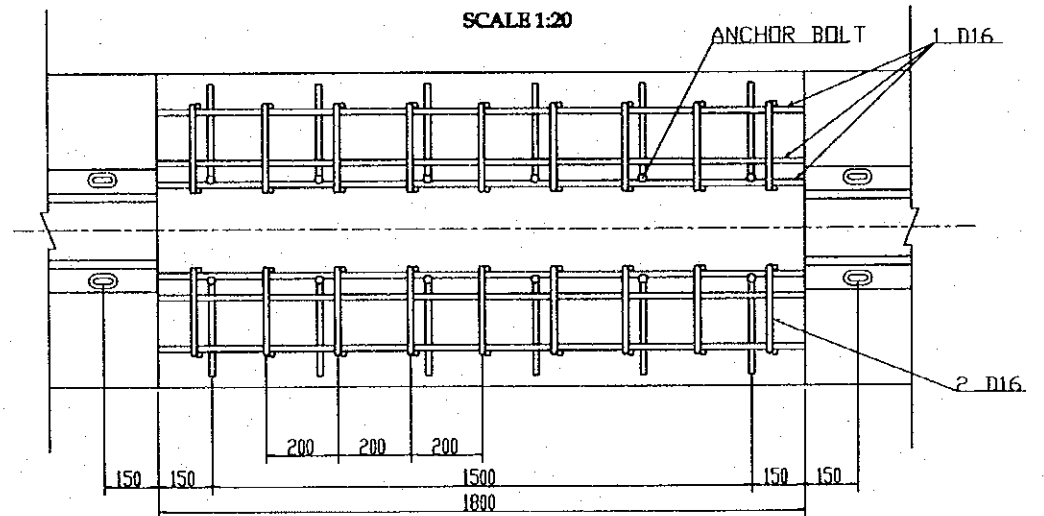
NUT



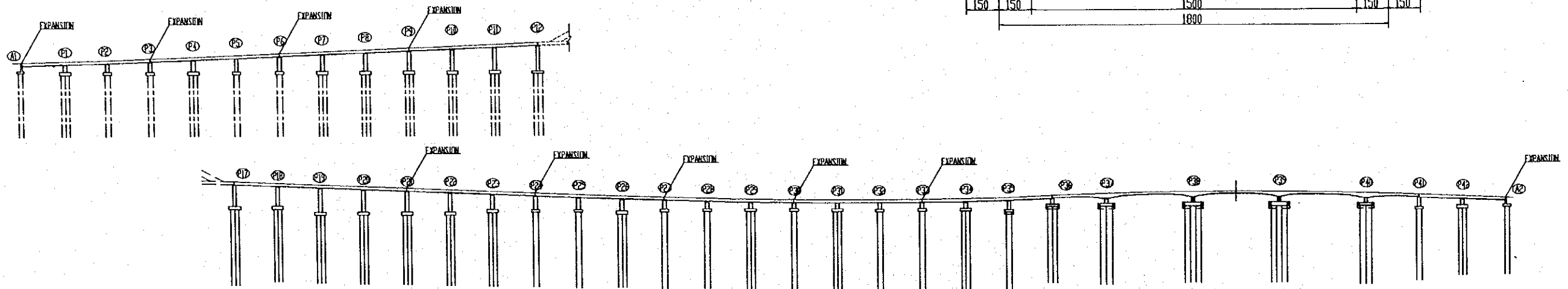
PLUG CAP
SCALE 1:10



PLAN
SCALE 1:20

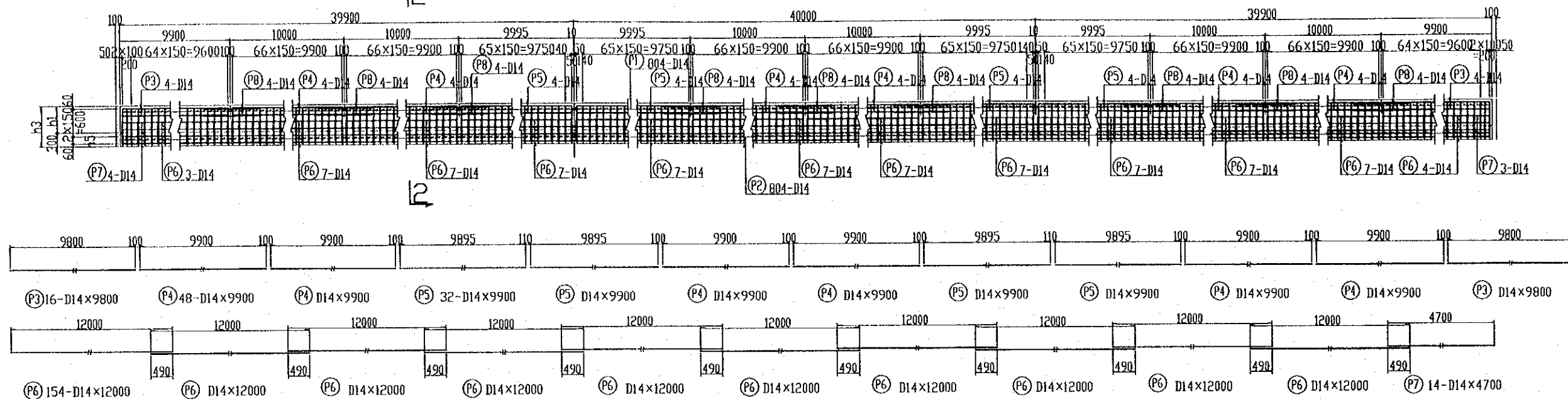


MARKING DIAGRAM

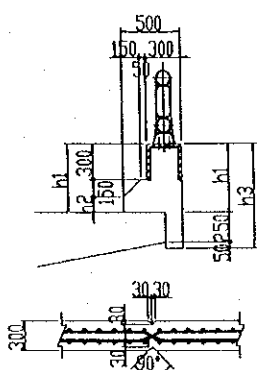


PROJECT NAME	IMPLEMENTATION AGENCY	EXECUTING AGENCY	JICA STUDY TEAM	PREPARED BY	CHECKED BY	APPROVED BY	DRAWING TITLE	DWG NO.
DETAILED DESIGN OF THE CAN THO BRIDGE CONSTRUCTION PROJECT	JICA JAPAN INTERNATIONAL COOPERATION AGENCY (JICA)	SOCIALIST REPUBLIC OF VIET NAM MINISTRY OF TRANSPORT (MOT) MY THUAN PROJECT MANAGEMENT UNIT	NIPPON KOEI CO.,LTD.	S. Kiguchi	K. Matsumoto	K. Enomoto	APPROACH BRIDGE-VIN LONG SIDE(A1-P12) MISCELLANEOUS DETAIL OF EXPANSION JOINT	P2/MC/0080
				SIGNATURE	S. Kiguchi	K. Matsumoto		
				DATE	20/9/2000	29/9/2000	5/10/2000	

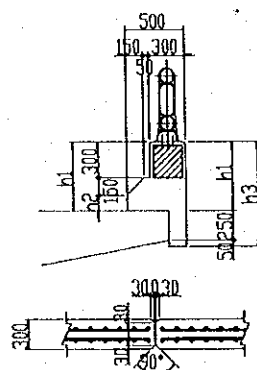
SECTION 1-1
SCALE 1:100



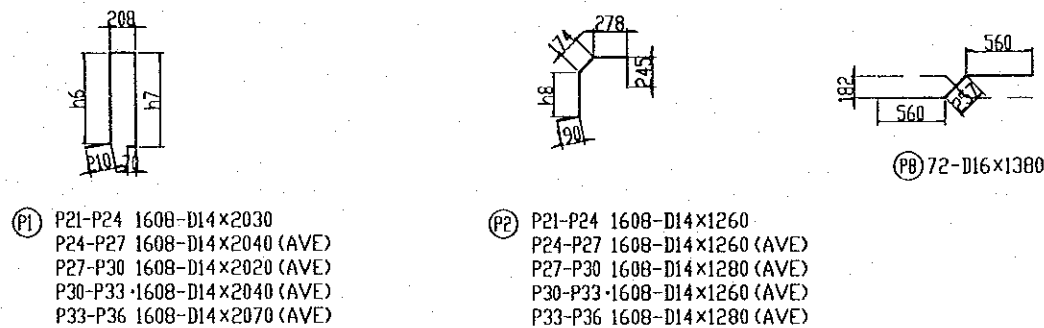
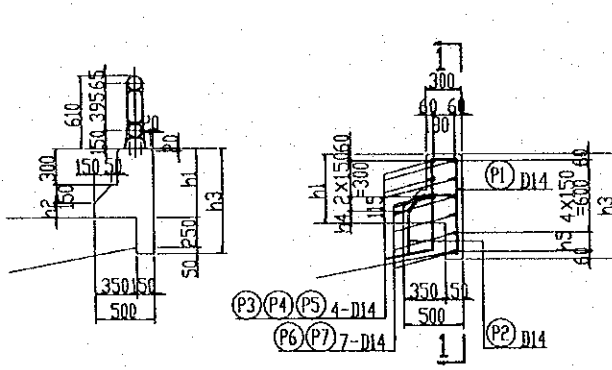
DETAIL OF "A"
SCALE 1:60



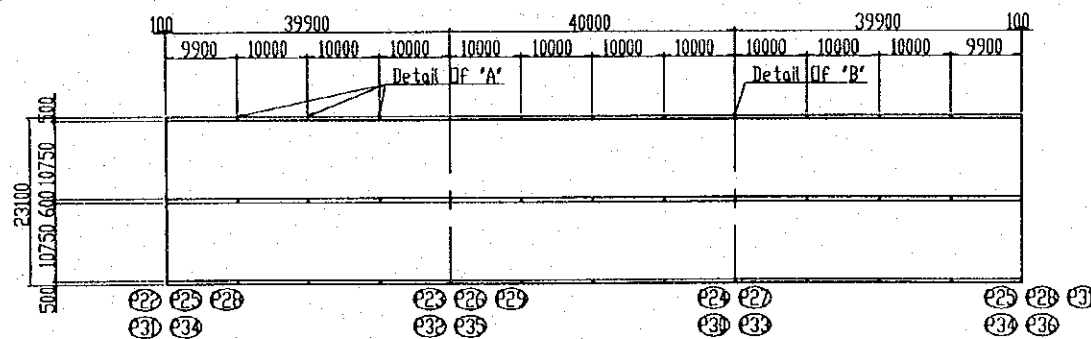
DETAIL OF "B"
SCALE 1:60



SECTION 2-2
SCALE 1:60

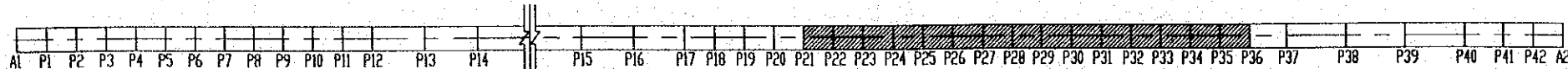


MARKING DIAGRAM



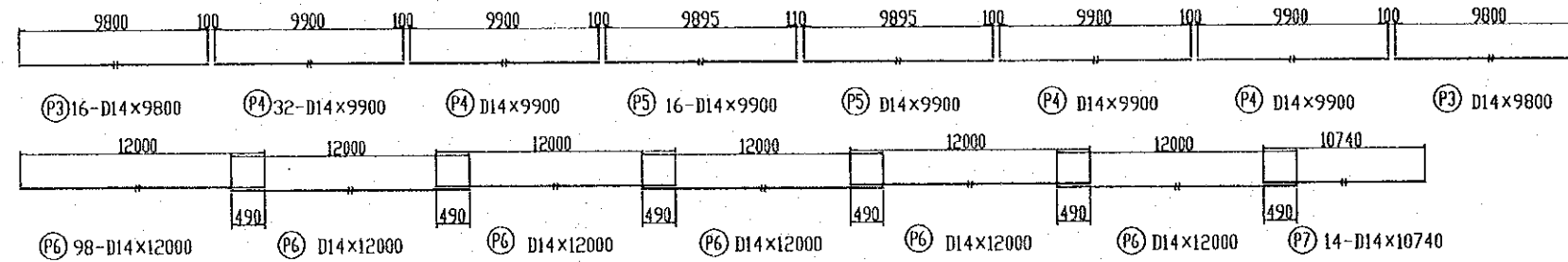
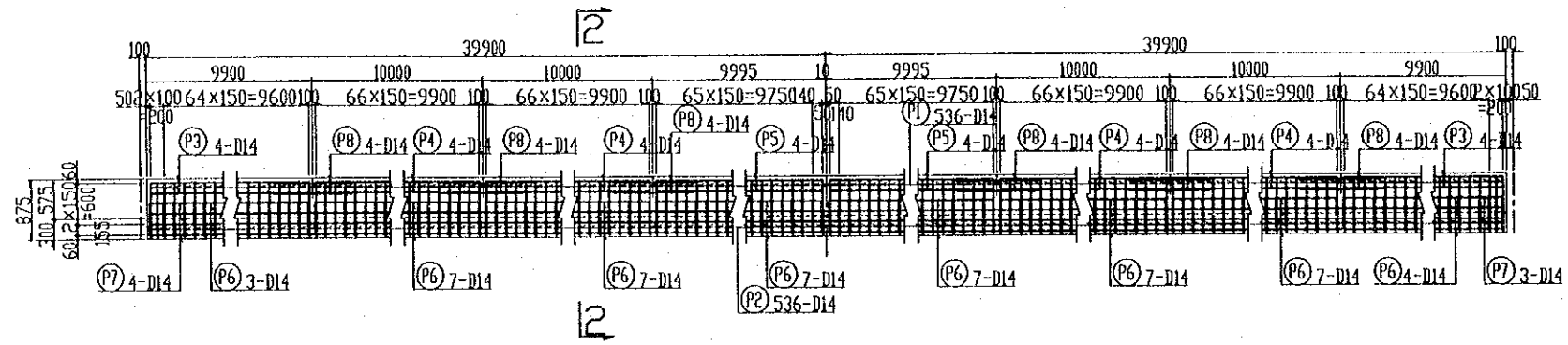
	h1	h2	h3	h4	h5	h6	h7	h8
P21 - P25	575	125	875	100	155	752	783	367
P25 - P26	575 - 590	125 - 140	875 - 890	100 - 115	155 - 170	752 - 767	783 - 798	367 - 382
P26 - P27	575 - 586	125 - 136	875 - 886	100 - 111	155 - 166	752 - 763	783 - 794	367 - 378
P27 - P28	575	125	875	100	155	752	783	367
P28 - P29	575 - 601	125 - 151	875 - 901	100 - 126	155 - 181	752 - 778	783 - 809	367 - 393
P29 - P30	575 - 664	125 - 214	875 - 964	100 - 189	155 - 244	752 - 841	783 - 872	367 - 456
P30 - P31	575 - 600	125 - 150	875 - 900	100 - 125	155 - 180	752 - 777	783 - 808	367 - 392
P31 - P32	575	125	875	100	155	752	783	367
P32 - P33	575 - 576	125 - 126	875 - 876	100 - 101	155 - 156	752 - 753	783 - 784	367 - 368
P33 - P34	575 - 591	125 - 141	875 - 891	100 - 116	155 - 171	752 - 768	783 - 799	367 - 383
P34 - P35	575 - 640	125 - 190	875 - 940	100 - 165	155 - 220	752 - 817	783 - 848	367 - 432
P35 - P36	575 - 615	125 - 165	875 - 915	100 - 140	155 - 195	752 - 792	783 - 823	367 - 407

MARKING DIAGRAM

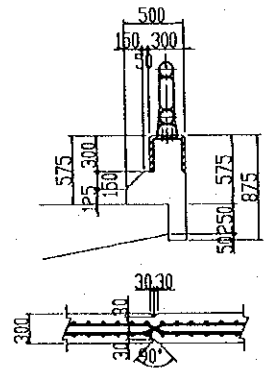


PROJECT NAME	IMPLEMENTATION AGENCY	EXECUTING AGENCY	JICA STUDY TEAM	PREPARED BY	CHECKED BY	APPROVED BY	DRAWING TITLE	DWG. NO.
DETAILED DESIGN OF THE CAN THO BRIDGE CONSTRUCTION PROJECT	JICA JAPAN INTERNATIONAL COOPERATION AGENCY (JICA)	SOCIALIST REPUBLIC OF VIET NAM MINISTRY OF TRANSPORT (MOT) MY THUAN PROJECT MANAGEMENT UNIT	NIPON KOEI CO., LTD.	S. Kiguchi	K. Matsumoto	K. Enomoto	APPROACH BRIDGE-CANTHO SIDE (P17-P36) MISCELLANEOUS BAR ARRANGEMENT OF BARRIER (3)	P2/MC/0110

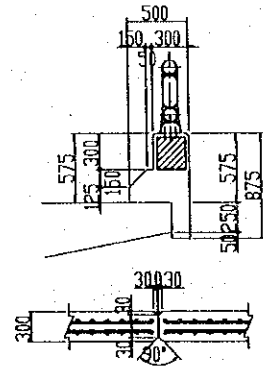
SECTION 1-1
SCALE 1:100



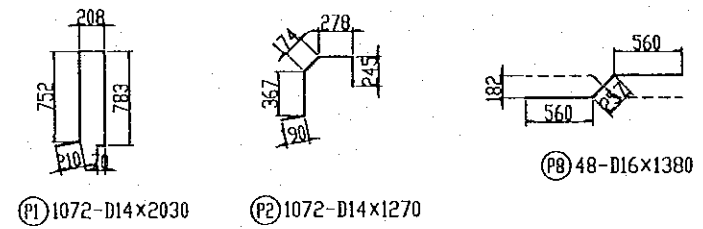
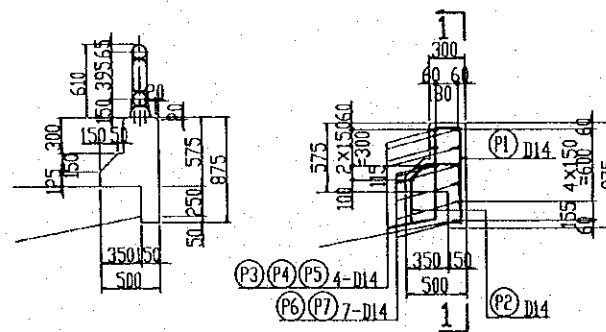
DETAIL OF "A"
SCALE 1:60



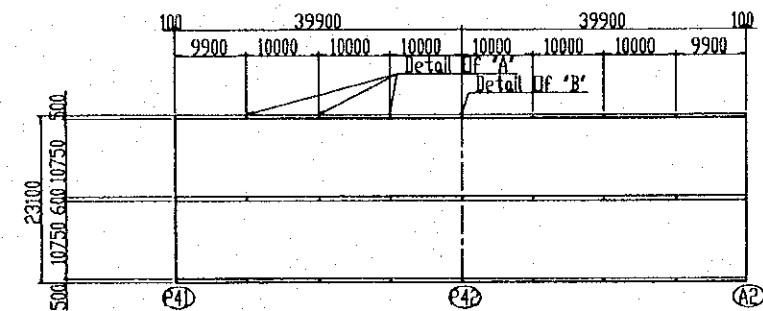
DETAIL OF "B"
SCALE 1:60



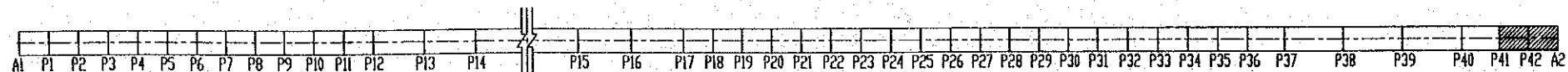
SECTION 2-2
SCALE 1:60



MARKING DIAGRAM



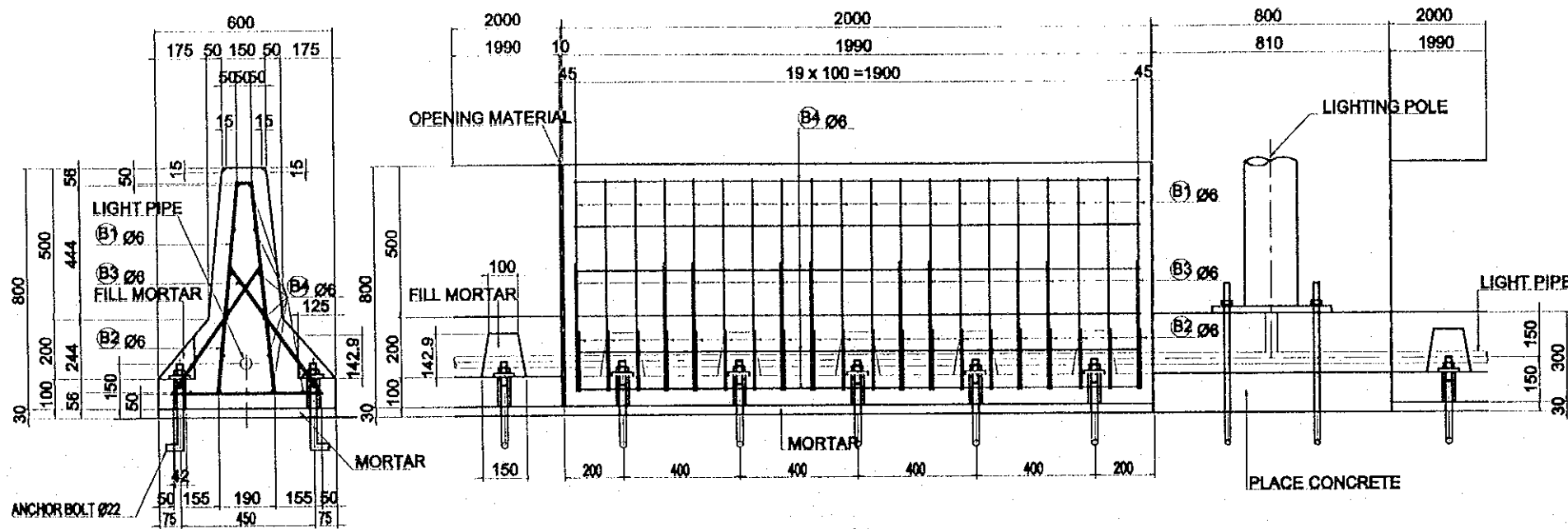
MARKING DIAGRAM



PROJECT NAME	IMPLEMENTATION AGENCY	EXECUTING AGENCY	JICA STUDY TEAM	PREPARED BY	CHECKED BY	APPROVED BY	DRAWING TITLE	DWG. NO.
DETAILED DESIGN OF THE CAN THO BRIDGE CONSTRUCTION PROJECT	JICA JAPAN INTERNATIONAL COOPERATION AGENCY (JICA)	SOCIALIST REPUBLIC OF VIET NAM MINISTRY OF TRANSPORT (MOT) MY THUAN PROJECT MANAGEMENT UNIT	(NK) NIPPON KOEI CO., LTD.	NAME: S. Kiguchi SIGNATURE: <i>S. Kiguchi</i> DATE: 20/9/2000	NAME: K. Matsumoto SIGNATURE: <i>K. Matsumoto</i> DATE: 29/9/2000	NAME: K. Enomoto SIGNATURE: <i>K. Enomoto</i> DATE: 5/10/2000	APPROACH BRIDGE-CANTHO SIDE(P41-A2) MISCELLANEOUS BAR ARRANGEMENT OF BARRIER (4)	P2/MC/0120

Precast RC Wall
SCALE 1:20
Elevation

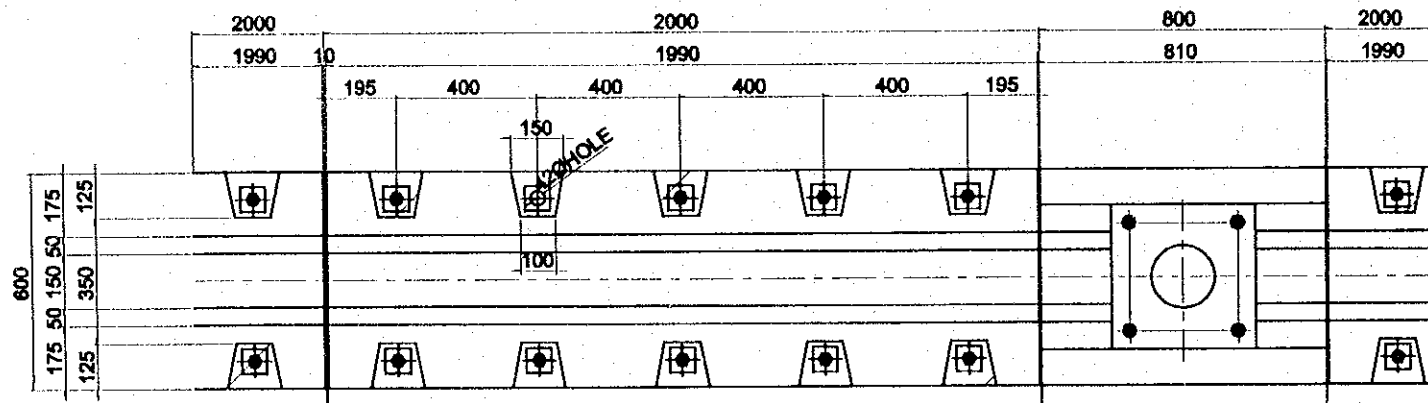
Section



LIST OF REINFORCEMENT
PRECAST RC WALL ONE BLOCK

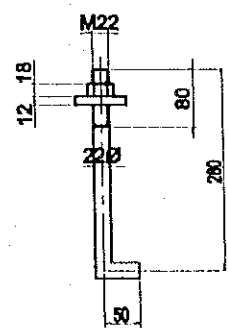
MARK	SECTION	LENGTH (mm)	EACH	WEIGHT /M(kg)	WEIGHT /ONE(kg)	WEIGHT (kg)	REMARKS
B1	Ø6	1460	20	0.222	0.324	6	△
B2	Ø6	590	20	0.222	0.131	3	△
B3	Ø6	1540	10	0.222	0.342	3	△
B4	Ø6	1910	14	0.222	0.424	6	
						18 kg	
						Ø6(SR235)	18 kg
						CONCRETE	0.48 m ³
							5.62 m ²
						FILL MORTAR	0.01 m ³
						MORTAR	0.04 m ³
						10-ANCHOR BOLT 22Øx330 (SS400)	10 kg
						10-PL 70x12x70 (SS400)	3 kg

Plan



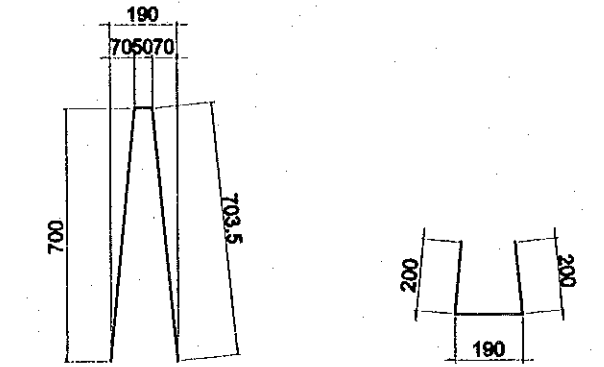
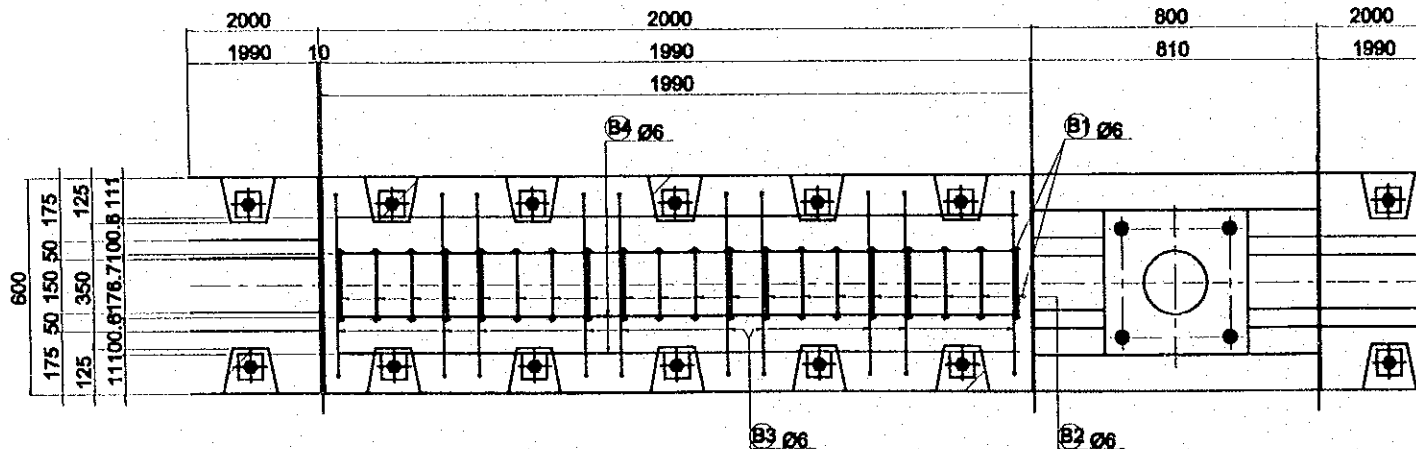
ANCHOR BOLT DETAIL

SCALE 1:10



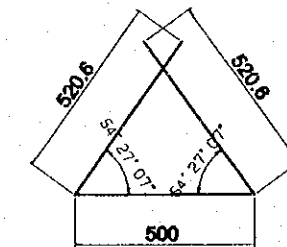
1-STUD 22Øx180 (SS400)
1-PL 70x12x70 (SS400)
1-Nut M22 (SS400)

ONE BLOCK
10-STUD 22Øx180 (SS400 OR NSD400)
10-PL 70x12x70 (SS400)

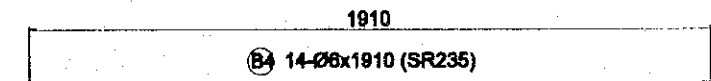


B1 20-Ø6x1460 (SR235)

B2 20-Ø6x590 (SR235)



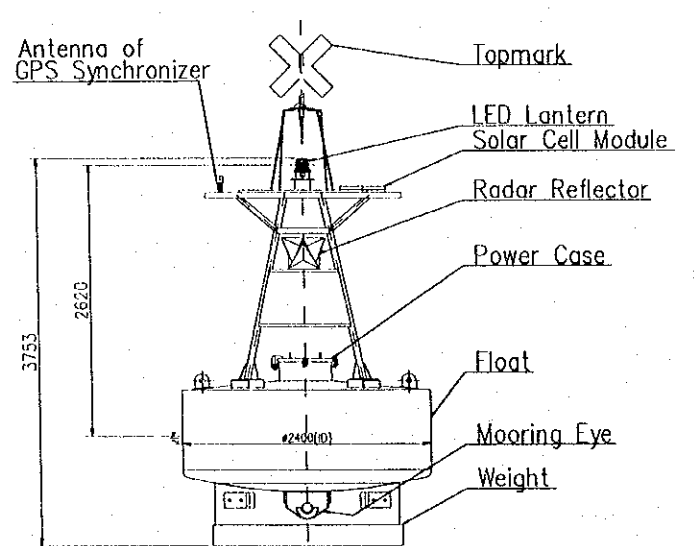
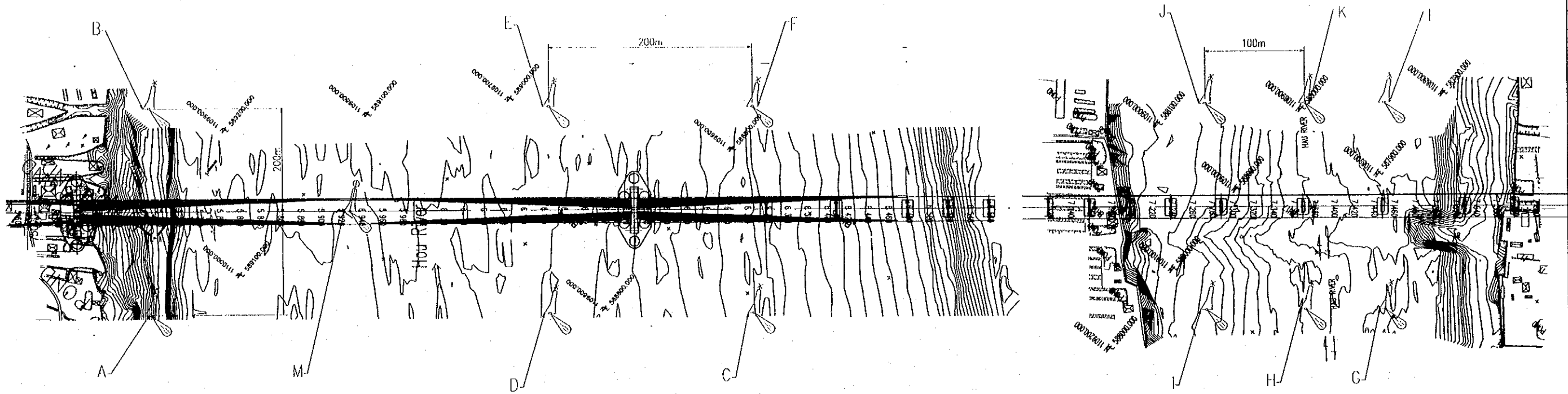
B3 10-Ø6x1540 (SR235)



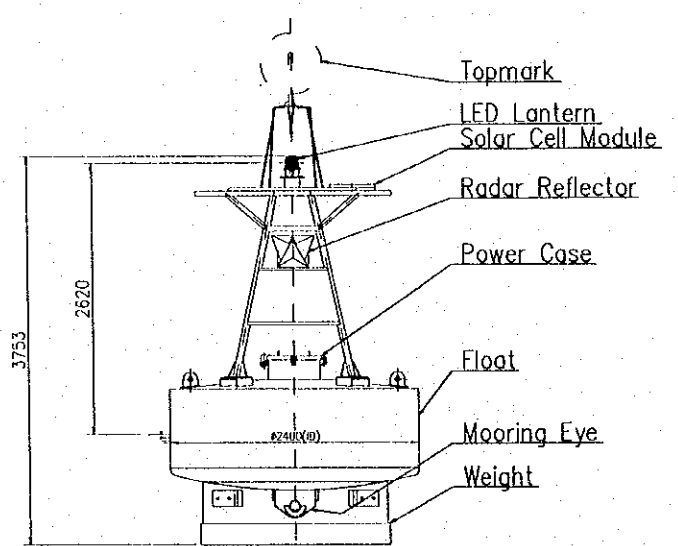
B4 14-Ø6x1910 (SR235)

PROJECT NAME	IMPLEMENTATION AGENCY	EXECUTING AGENCY	JICA STUDY TEAM	PREPARED BY	CHECKED BY	APPROVED BY	DRAWING TITLE	DWG NO.
DETAILED DESIGN OF THE CAN THO BRIDGE CONSTRUCTION PROJECT	JICA JAPAN INTERNATIONAL COOPERATION AGENCY (JICA)	SOCIALIST REPUBLIC OF VIET NAM MINISTRY OF TRANSPORT (MOT) MY THUAN PROJECT MANAGEMENT UNIT	NIPON KOEI CO.,LTD.	S. Kiguchi	K. Matsumoto	K. Enomoto	APPROACH BRIDGE MISCELLANEOUS BAR ARRANGEMENT OF CENTRAL REVERSE	P2/MC/0130
				DATE: 20/9/2000	DATE: 29/9/2000	DATE: 5/10/2000		

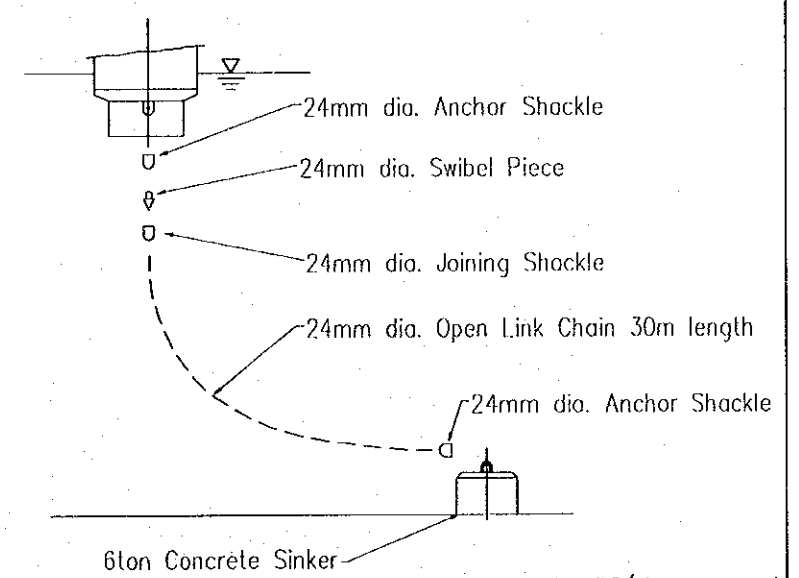
PLAN



Item : A to L
 Total Mass : approx.1800kg
 Total Buoyancy : approx.4.2x10⁴N
 Main Material : Steel
 Scale 1:70



Item : M
 Total Mass : approx.1800kg
 Total Buoyancy : approx.4.2x10⁴N
 Main Material : Steel
 Scale 1:70

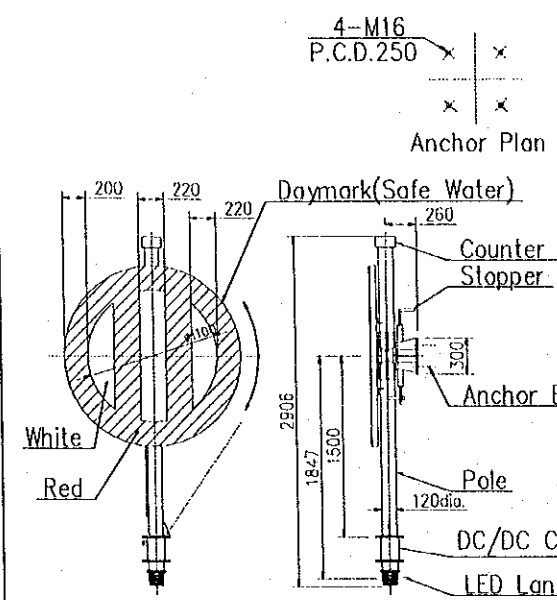
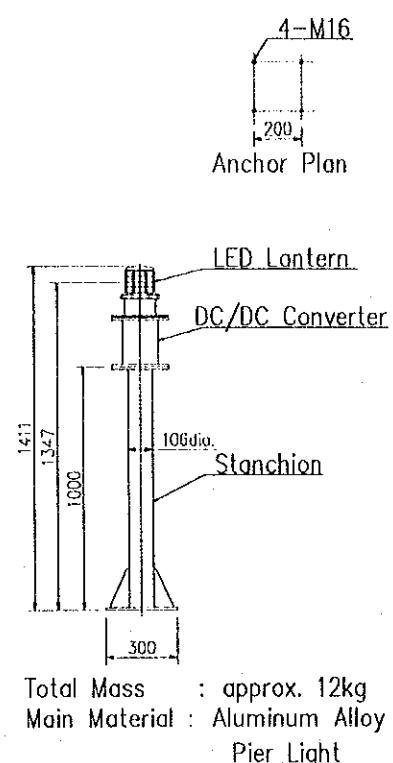
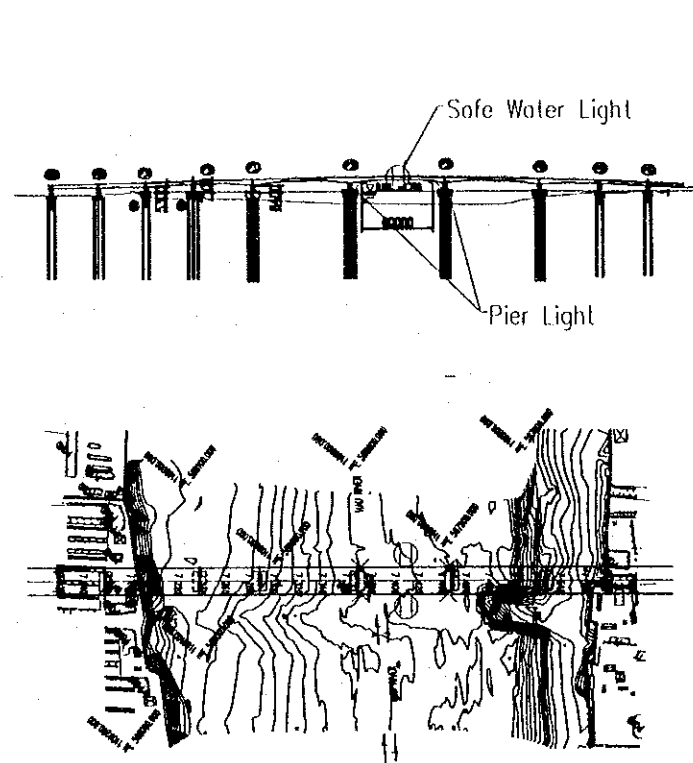
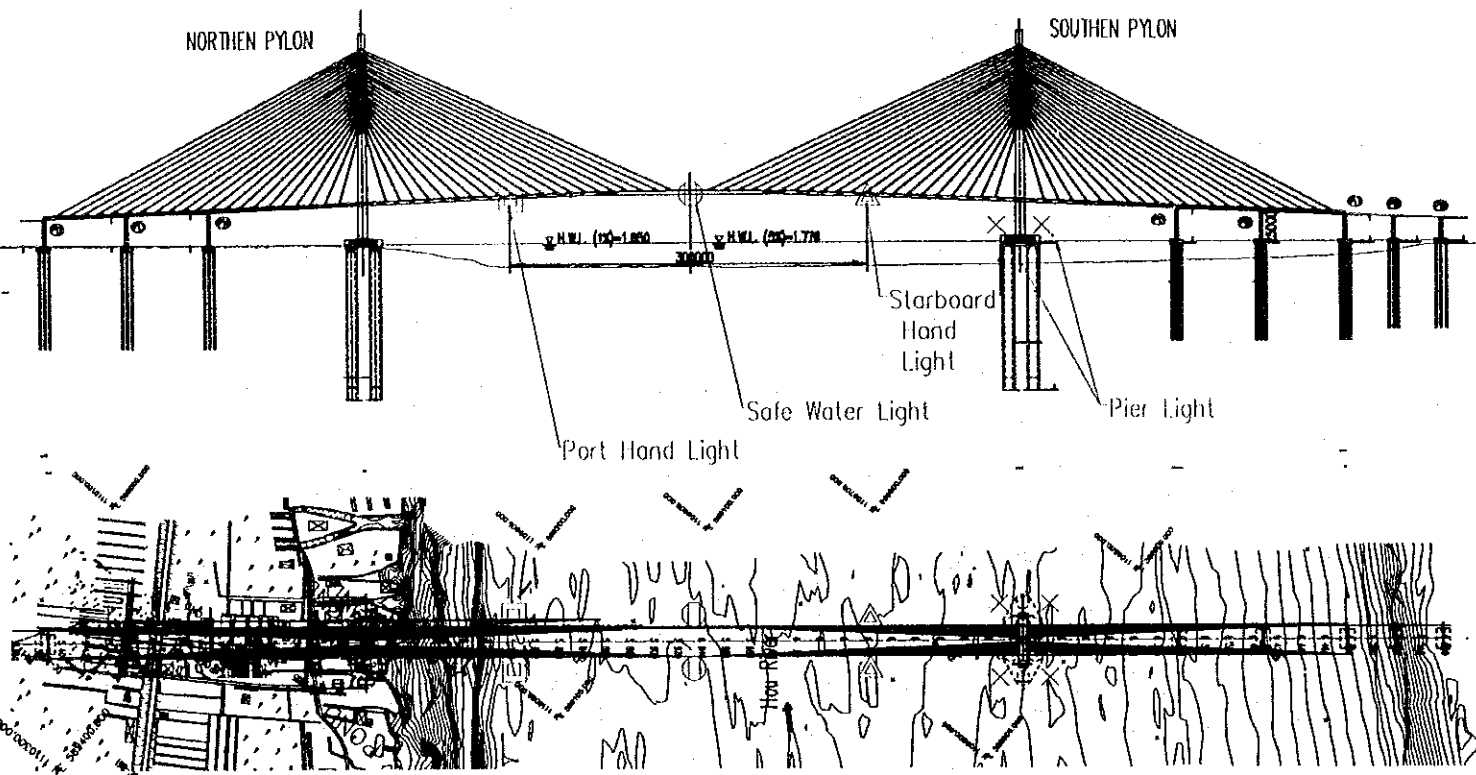


Note :
 1. Chain are made in accordance with JIS(Japanese Industrial Standard) Grade 2 or equivalent.
 2. End links shall be so precessed as to clear body of the same nominal diameter.
 3. The shackle pin shall be fixed by a bent stainless steel with the shackle body.

PROJECT NAME	IMPLEMENTATION AGENCY	EXECUTING AGENCY	JICA STUDY TEAM	PREPARED BY	CHECKED BY	APPROVED BY	DRAWING TITLE	DWG NO.
DETAILED DESIGN OF THE CAN THO BRIDGE CONSTRUCTION PROJECT	JICA JAPAN INTERNATIONAL COOPERATION AGENCY (JICA)	SOCIALIST REPUBLIC OF VIET NAM MINISTRY OF TRANSPORT (MOT) MY THUAN PROJECT MANAGEMENT UNIT	NIPPON KOBI CO.,LTD.	S. Kiguchi	K. Matsumoto	K. Enomoto	TEMPORARY NAVIGATION MARKER BUOYS SYSTEM	P2/MC/0140
				DATE: 20/9/2000	DATE: 29/9/2000	DATE: 5/10/2000		

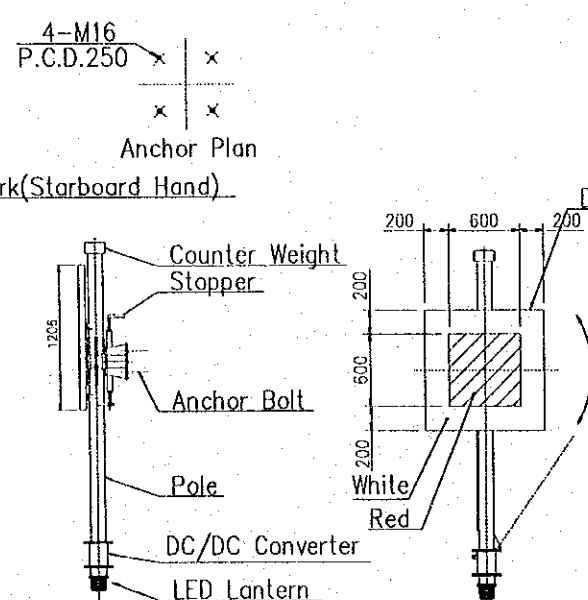
PLANNING POSITION

(Bridge Light)



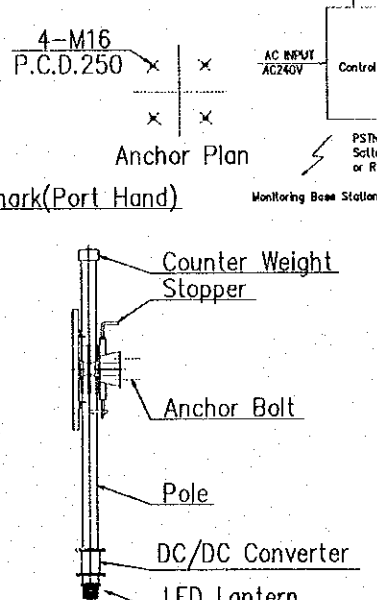
Total Mass : approx. 85kg
Main Material : Aluminum Alloy

BRIDGE LIGHT
(Safe Water)



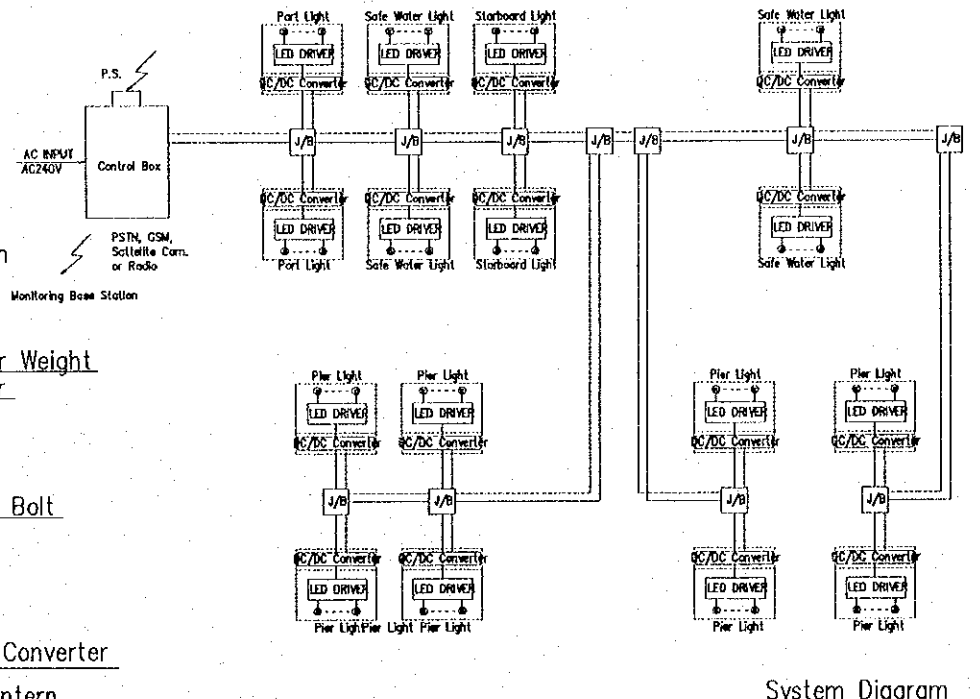
Total Mass : approx. 85kg
Main Material : Aluminum Alloy

BRIDGE LIGHT
(Starboard Hand)



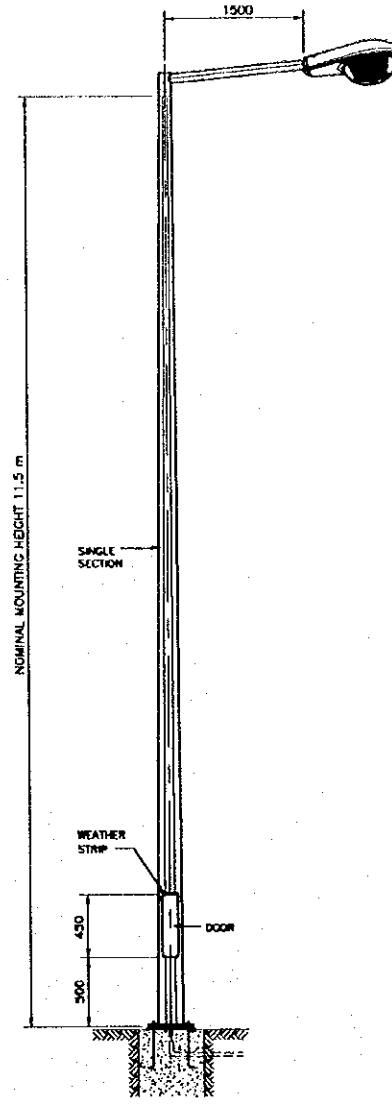
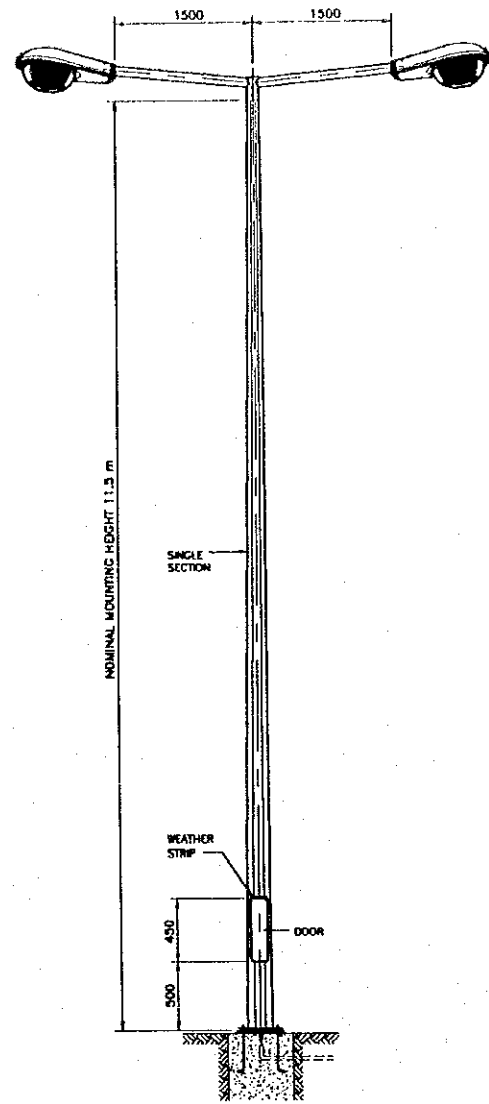
Total Mass : approx. 85kg
Main Material : Aluminum Alloy

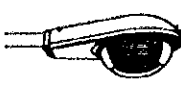
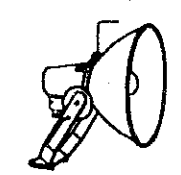
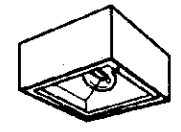
BRIDGE LIGHT
(PORT HAND)

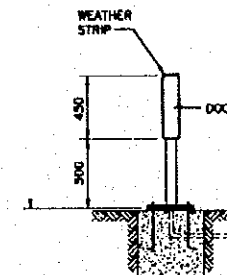
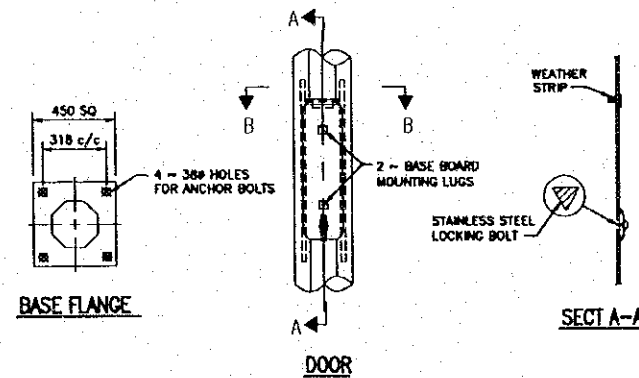
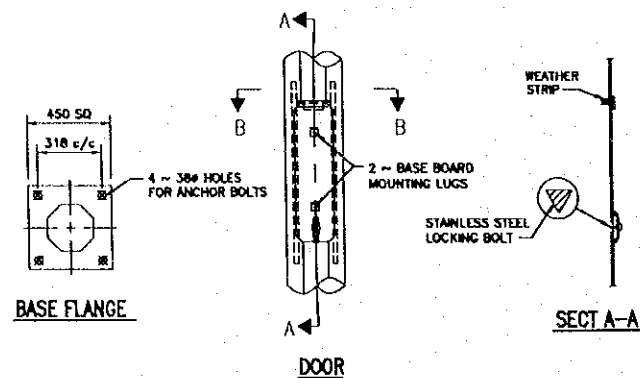
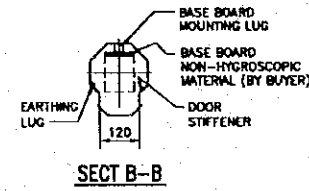
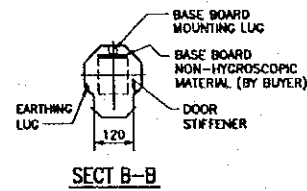


REMARKS
 — Power Line
 — Signal Line (Optical Fiber Cable)
 P.S. : PHOTO SENSOR
 J/B : JUNCTION BOX

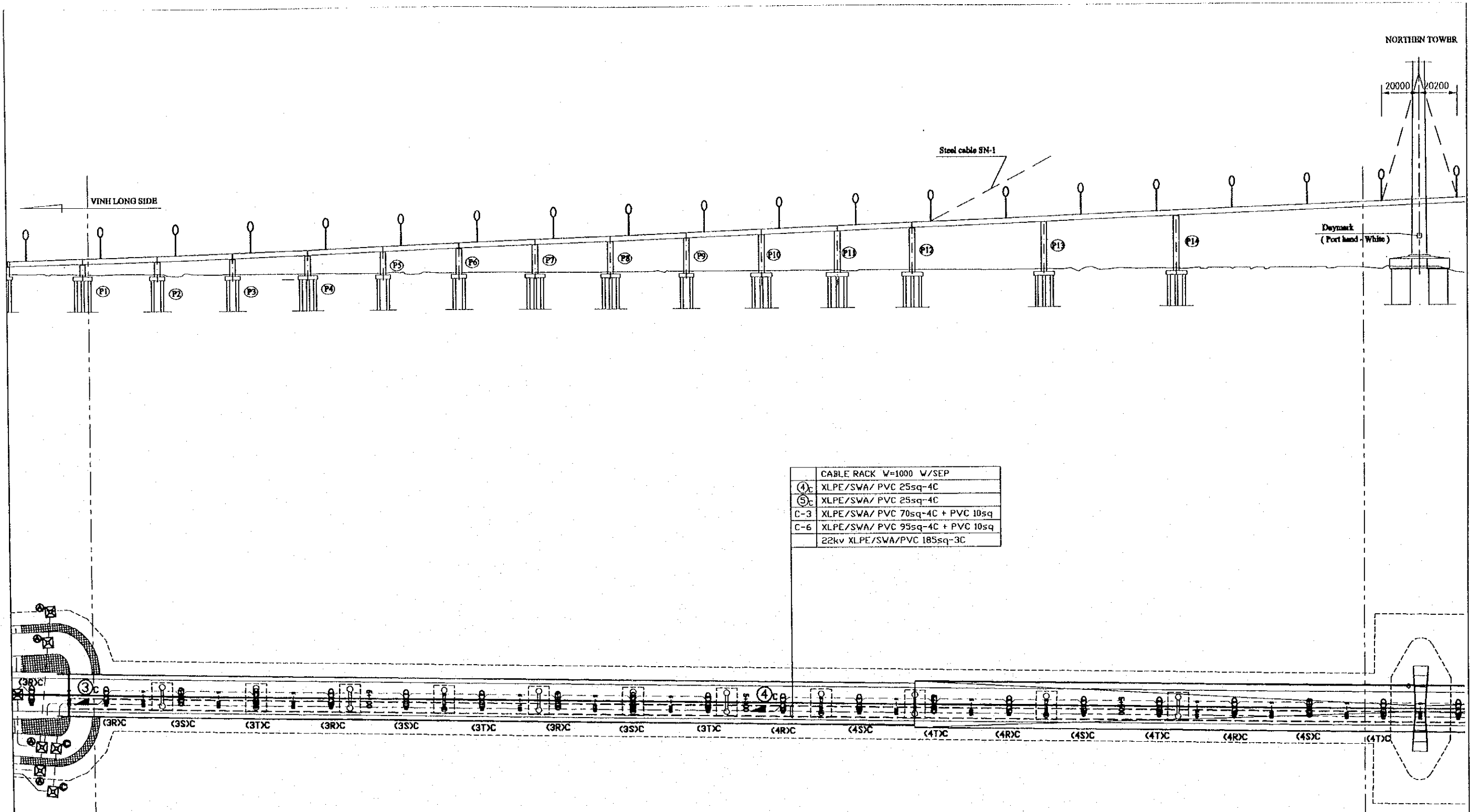
PROJECT NAME	IMPLEMENTATION AGENCY	EXECUTING AGENCY	JICA STUDY TEAM	PREPARED BY	CHECKED BY	APPROVED BY	DRAWING TITLE	DWG NO.
DETAILED DESIGN OF THE CAN THO BRIDGE CONSTRUCTION PROJECT	JICA JAPAN INTERNATIONAL COOPERATION AGENCY (JICA)	SOCIALIST REPUBLIC OF VIET NAM MINISTRY OF TRANSPORT (MOT) MY THUAN PROJECT MANAGEMENT UNIT	NIPPON KOEI CO.,LTD.	S. Kiguchi	K. Matsumoto	K. Enomoto	PERMANENT NAVIGATIONAL BRIDGE LIGHT AND MARKER BUOYS SYSTEM	P2/MC0150
				DATE: 20/9/2000	DATE: 29/9/2000	DATE: 5/10/2000		



SYMBOL	DESCRIPTION	TYPE OF LAMP
○	A 251W, A 252W	NH 250W
		
SYMBOL	DESCRIPTION	TYPE OF LAMP
▷	B 101W	H 1000W
		
SYMBOL	DESCRIPTION	TYPE OF LAMP
□	C 151W	NH 150W
		

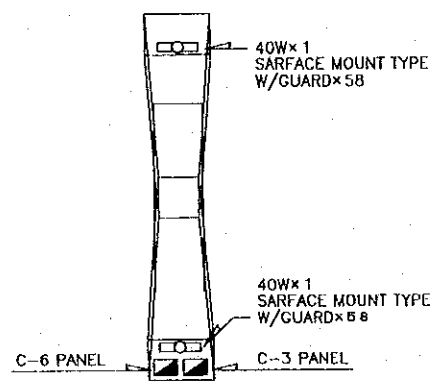
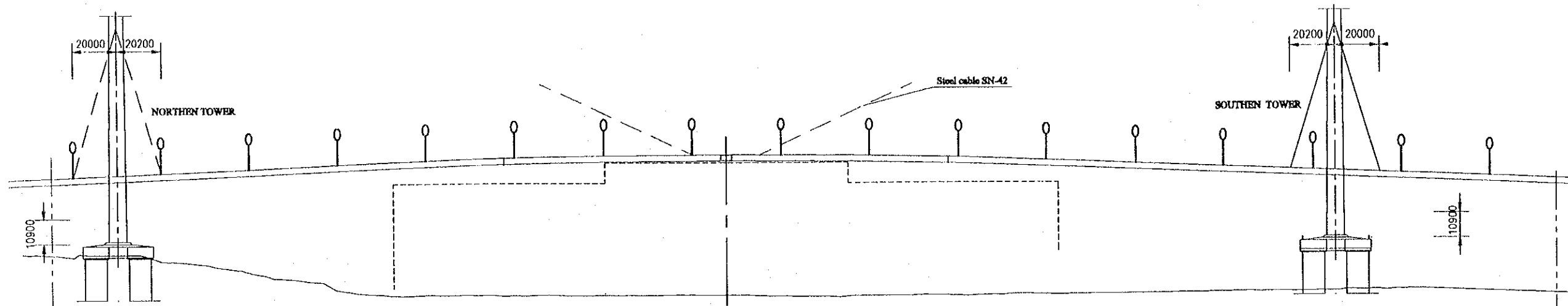


PROJECT NAME	IMPLEMENTATION AGENCY	EXECUTING AGENCY	JICA STUDY TRAM	PREPARED BY	CHECKED BY	APPROVED BY	DRAWING TITLE	DWG NO.
DETAILED DESIGN OF THE CAN THO BRIDGE CONSTRUCTION PROJECT	JICA JAPAN INTERNATIONAL COOPERATION AGENCY (JICA)	SOCIALIST REPUBLIC OF VIET NAM MINISTRY OF TRANSPORT (MOT) MY THUAN PROJECT MANAGEMENT UNIT	NIPPON KOEI CO.,LTD.	S. Kiguchi	K. Matsumoto	K. Enomoto	ROAD LIGHTING	P2/MC/0160
				DATE	DATE	DATE		
				20/9/2000	29/9/2000	5/10/2000		



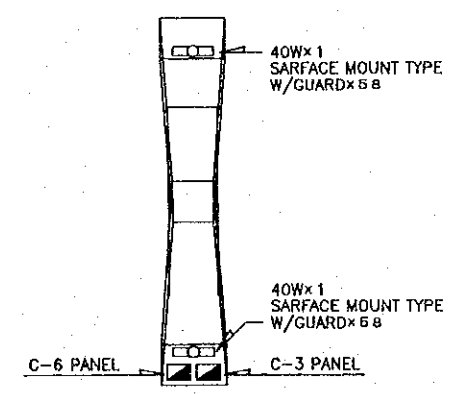
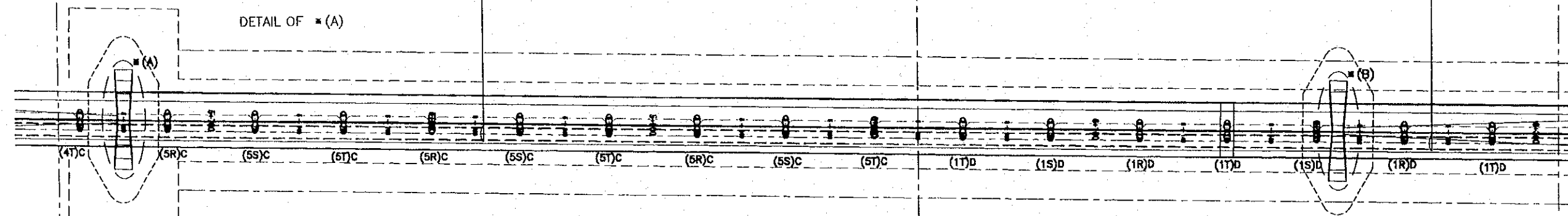
- Note:
- 22KV XLPE/SWA/PVC 185sq-3C
 - Under Ground Cable
 - GIP Conduit Pipe
 - SPARE Conduit (For Future)
 - ○ ○ Un Armoured Cable (GIP Conduit)
 - ○ ○ Armoured Cable (Under Ground)
 - [] Cable Rack (w/sep)
 - Road Lighting (Single Arm)
 - ○ Road Lighting (Double Arm)
 - △ Flood Lighting
 - Ceiling Lighting
 - ⊗ Foundation (For Future)
 - ⊗ MAN HOLE 1500×1500×1500^D
 - ⊗ MAN HOLE 2700×2700×1500^D
 - ⊗ MAN HOLE 3700×3700×1500^D
 - ⊗ MAN HOLE 1000×1000×1000^D

PROJECT NAME	IMPLEMENTATION AGENCY	EXECUTING AGENCY	JICA STUDY TEAM	PREPARED BY	CHECKED BY	APPROVED BY	DRAWING TITLE	DWG NO.
DETAILED DESIGN OF THE CAN THO BRIDGE CONSTRUCTION PROJECT	JICA JAPAN INTERNATIONAL COOPERATION AGENCY (JICA)	SOCIALIST REPUBLIC OF VIET NAM MINISTRY OF TRANSPORT (MOT) MY THUAN PROJECT MANAGEMENT UNIT	(NK) NIPPON KOEI CO.,LTD.	NAME: S. Kiguchi SIGNATURE: <i>S. Kiguchi</i> DATE: 20/9/2000	NAME: K. Matsumoto SIGNATURE: <i>K. Matsumoto</i> DATE: 29/9/2000	NAME: K. Enomoto SIGNATURE: <i>K. Enomoto</i> DATE: 5/10/2000	ROAD LIGHTING LAYOUT (1)	P2/MC0170



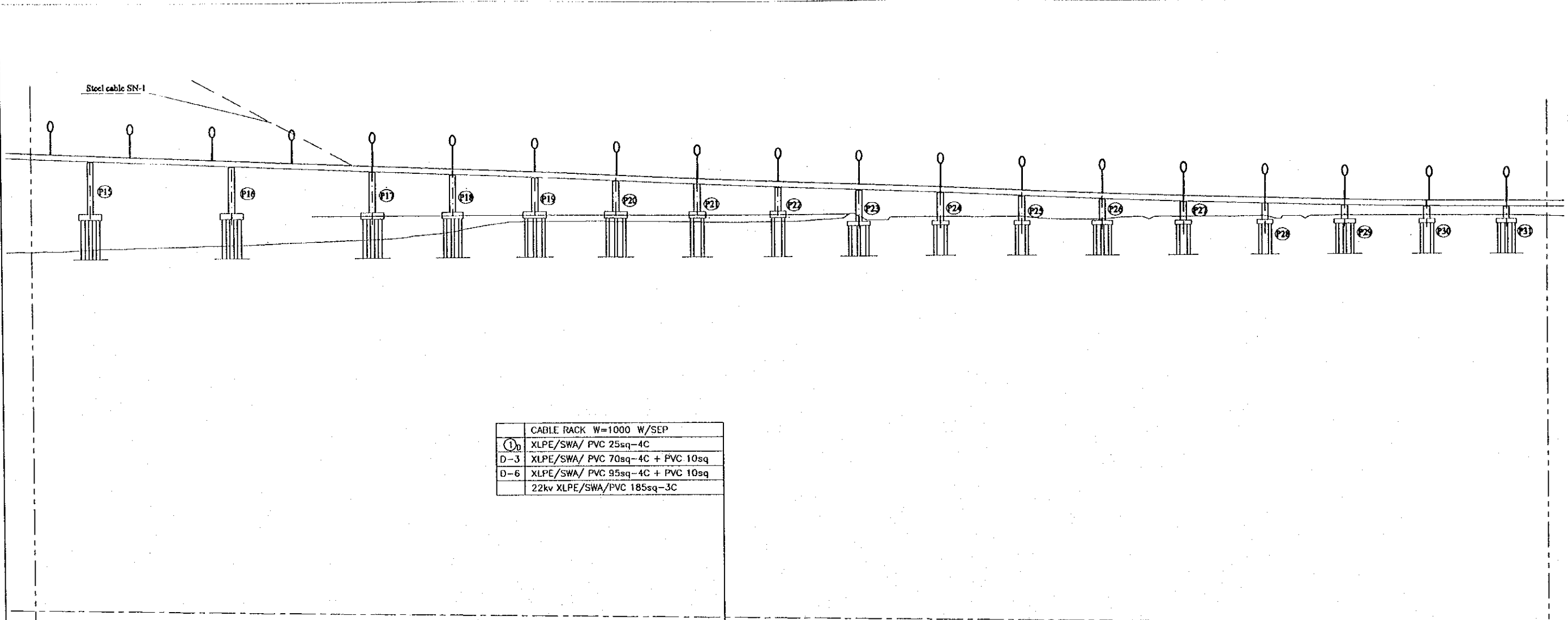
CABLE RACK W=1000 W/SEP
22kv XLPE/SWA/PVC 185sq-3C

CABLE RACK W=1000 W/SEP
D-3 XLPE/SWA/ PVC 70sq-4C + PVC 10sq
D-6 XLPE/SWA/ PVC 95sq-4C + PVC 10sq
22kv XLPE/SWA/PVC 185sq-3C

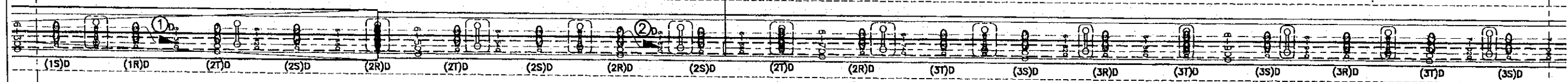


- Note:
- 22KV XLPE/SWA/PVC 185sq-3C
 - - - Under Ground Cable
 - - - GIP Conduit Pipe
 - - - SPARE Conduit (For Future)
 - Un Armoured Cable (GIP Conduit)
 - Armoured Cable (Under Ground)
 - [] Cable Rack (w/sep)
 - Road Lighting (Single Arm)
 - Road Lighting (Double Arm)
 - △ Flood Lighting
 - Ceiling Lighting
 - ⊠ Foundation (For Future)
 - ⊠ MAN HOLE 1500x1500x1500^D
 - ⊠ MAN HOLE 2700x2700x1500^D
 - ⊠ MAN HOLE 3700x3700x1500^D
 - ⊠ MAN HOLE 1000x1000x1000^D

PROJECT NAME	IMPLEMENTATION AGENCY	EXECUTING AGENCY	JICA STUDY TEAM	PREPARED BY	CHECKED BY	APPROVED BY	DRAWING TITLE	DWG NO.
DETAILED DESIGN OF THE CAN THO BRIDGE CONSTRUCTION PROJECT	JICA JAPAN INTERNATIONAL COOPERATION AGENCY (JICA)	SOCIALIST REPUBLIC OF VIET NAM MINISTRY OF TRANSPORT (MOT) MY THUAN PROJECT MANAGEMENT UNIT	NIPPON KOEI CO.,LTD.	S. Kiguchi	K. Matsumoto	K. Enomoto	ROAD LIGHTING LAYOUT (2)	P2/MC/0180
				DATE 20/9/2000	DATE 29/9/2000	DATE 5/10/2000		

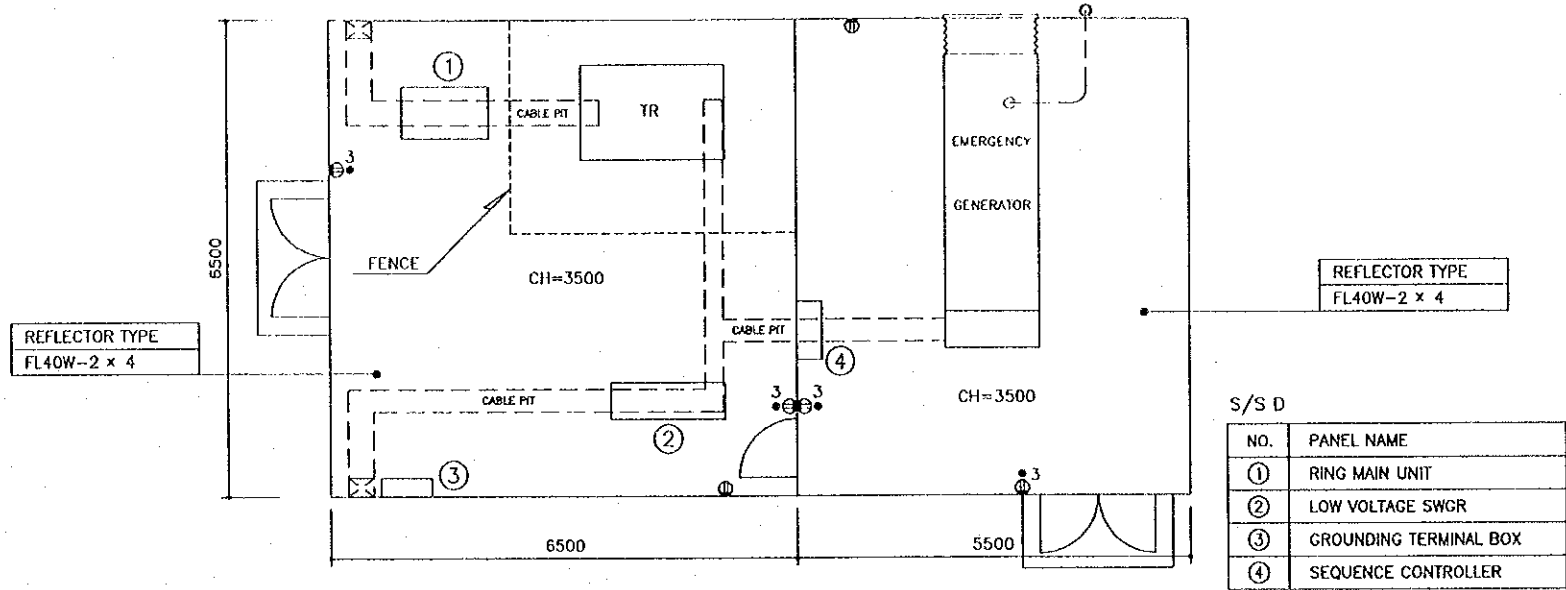


	CABLE RACK W=1000 W/SEP
①	XLPE/SWA/ PVC 25sq-4C
D-3	XLPE/SWA/ PVC 70sq-4C + PVC 10sq
D-6	XLPE/SWA/ PVC 95sq-4C + PVC 10sq
	22kv XLPE/SWA/PVC 185sq-3C



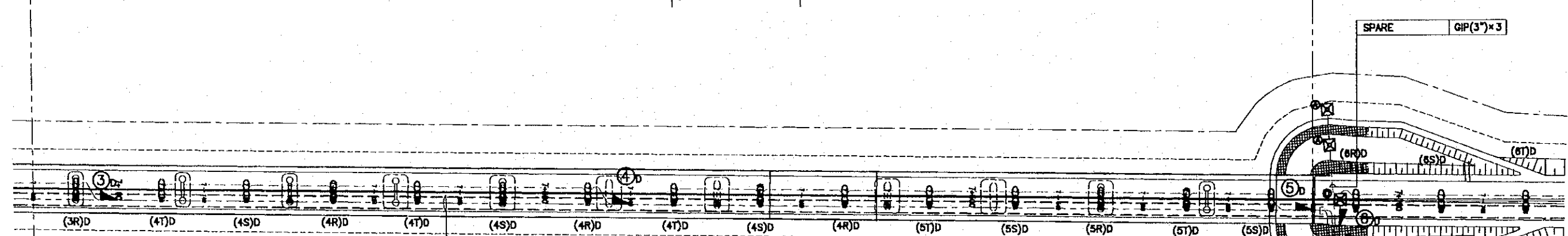
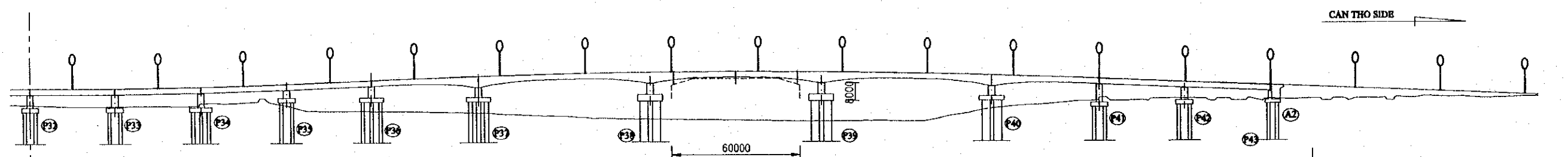
- Note:
- 22KV XLPE/SWA/PVC 185sq-3C
 - Under Ground Cable
 - GIP Conduit Pipe
 - C--- SPARE Conduit (For Future)
 - Un Armoured Cable (GIP Conduit)
 - Armoured Cable (Under Ground)
 - [] Cable Rack (w/sep)
 - Road Lighting (Single Arm)
 - ∞ Road Lighting (Double Arm)
 - △ Flood Lighting
 - Ceiling Lighting
 - ⊗ Foundation (For Future)
 - ⊗ MAN HOLE 1500x 1500x 1500⁰
 - ⊗ MAN HOLE 2700x 2700x 1500⁰
 - ⊗ MAN HOLE 3700x 3700x 1500⁰
 - ⊗ MAN HOLE 1000x 1000x 1000⁰

PROJECT NAME	IMPLEMENTATION AGENCY	EXECUTING AGENCY	JICA STUDY TEAM	PREPARED BY	CHECKED BY	APPROVED BY	DRAWING TITLE	DWG NO.
DETAILED DESIGN OF THE CAN THO BRIDGE CONSTRUCTION PROJECT	JICA JAPAN INTERNATIONAL COOPERATION AGENCY (JICA)	SOCIALIST REPUBLIC OF VIET NAM MINISTRY OF TRANSPORT (MOT) MY THUAN PROJECT MANAGEMENT UNIT	(NK) NIPPON KOEI CO.,LTD.	S. Kiguchi 20/9/2000	K. Matsumoto 29/9/2000	K. Enomoto 5/10/2000	ROAD LIGHTING LAYOUT (3)	P2/MC/0190



S/S D LAYOUT PLAN

NO.	PANEL NAME
①	RING MAIN UNIT
②	LOW VOLTAGE SWGR
③	GROUNDING TERMINAL BOX
④	SEQUENCE CONTROLLER



	CABLE RACK W=1000 W/SEP
① _b	XLPE/SWA/ PVC 25sq-4C
② _b	XLPE/SWA/ PVC 25sq-4C
③ _b	XLPE/SWA/ PVC 25sq-4C
D-3	XLPE/SWA/ PVC 70sq-4C + PVC 10sq
D-6	XLPE/SWA/ PVC 95sq-4C + PVC 10sq
	22kv XLPE SWA/PVC 185sq-3C

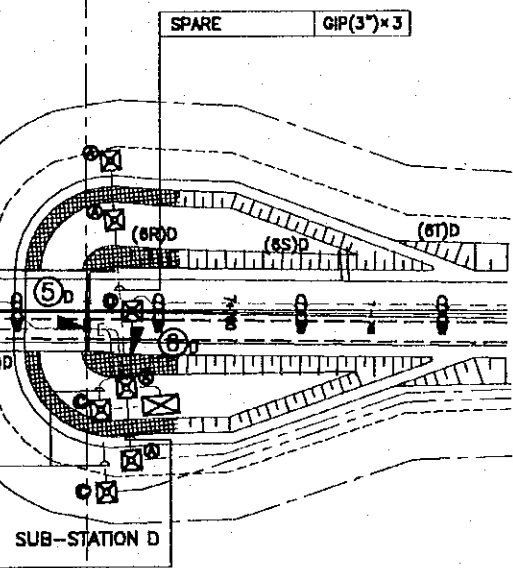
Note:

- 22KV XLPE/SWA/PVC 185sq-3C
- Under Ground Cable
- GIP Conduit Pipe
- SPARE Conduit (For Future)
- Un Armoured Cable (GIP Conduit)
- Armoured Cable (Under Ground)
- [] Cable Rack (w/sep)

- Road Lighting (Single Arm)
- Road Lighting (Double Arm)
- △ Flood Lighting
- Ceiling Lighting
- Foundation (For Future)
- MAN HOLE 1500x 1500x 1500^D
- MAN HOLE 2700x 2700x 1500^D
- MAN HOLE 3700x 3700x 1500^D
- MAN HOLE 1000x 1000x 1000^D

⑤ _b	20kv XLPE /SWA/PVC 185sq-3C	GIP(6")
	SPARE	GIP(6")

Toll Office (for Future)		GIP(3")
⑥ _b	XLPE/SWA/ PVC 16sq-4C	GIP(3")
⑦ _b	XLPE/SWA/ PVC 16sq-4C	GIP(3")
⑧ _b	XLPE/SWA/ PVC 25sq-4C	GIP(3")
⑨ _b	XLPE/SWA/ PVC 25sq-4C	GIP(3")
⑩ _b	XLPE/SWA/ PVC 25sq-4C	GIP(3")
	SPARE	GIP(3")x 3

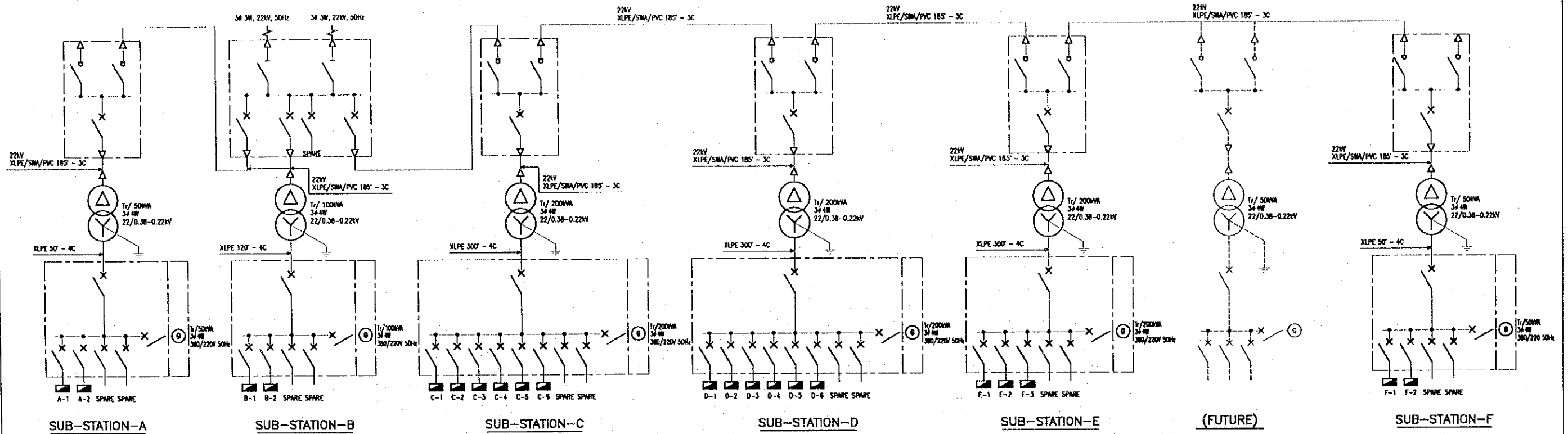


PACKAGE-2

PACKAGE-3

PROJECT NAME	IMPLEMENTATION AGENCY	EXECUTING AGENCY	JICA STUDY TEAM	PREPARED BY	CHECKED BY	APPROVED BY	DRAWING TITLE	DWG NO.
DETAILED DESIGN OF THE CAN THO BRIDGE CONSTRUCTION PROJECT	JICA JAPAN INTERNATIONAL COOPERATION AGENCY (JICA)	SOCIALIST REPUBLIC OF VIET NAM MINISTRY OF TRANSPORT (MOT) MY THUAN PROJECT MANAGEMENT UNIT	NIPON KORI CO.,LTD.	S. Kiguchi	K. Matsumoto	K. Enomoto	ROAD LIGHTING LAYOUT (4)	P2/MC/0200
				DATE: 20/9/2000	DATE: 29/9/2000	DATE: 5/10/2000		

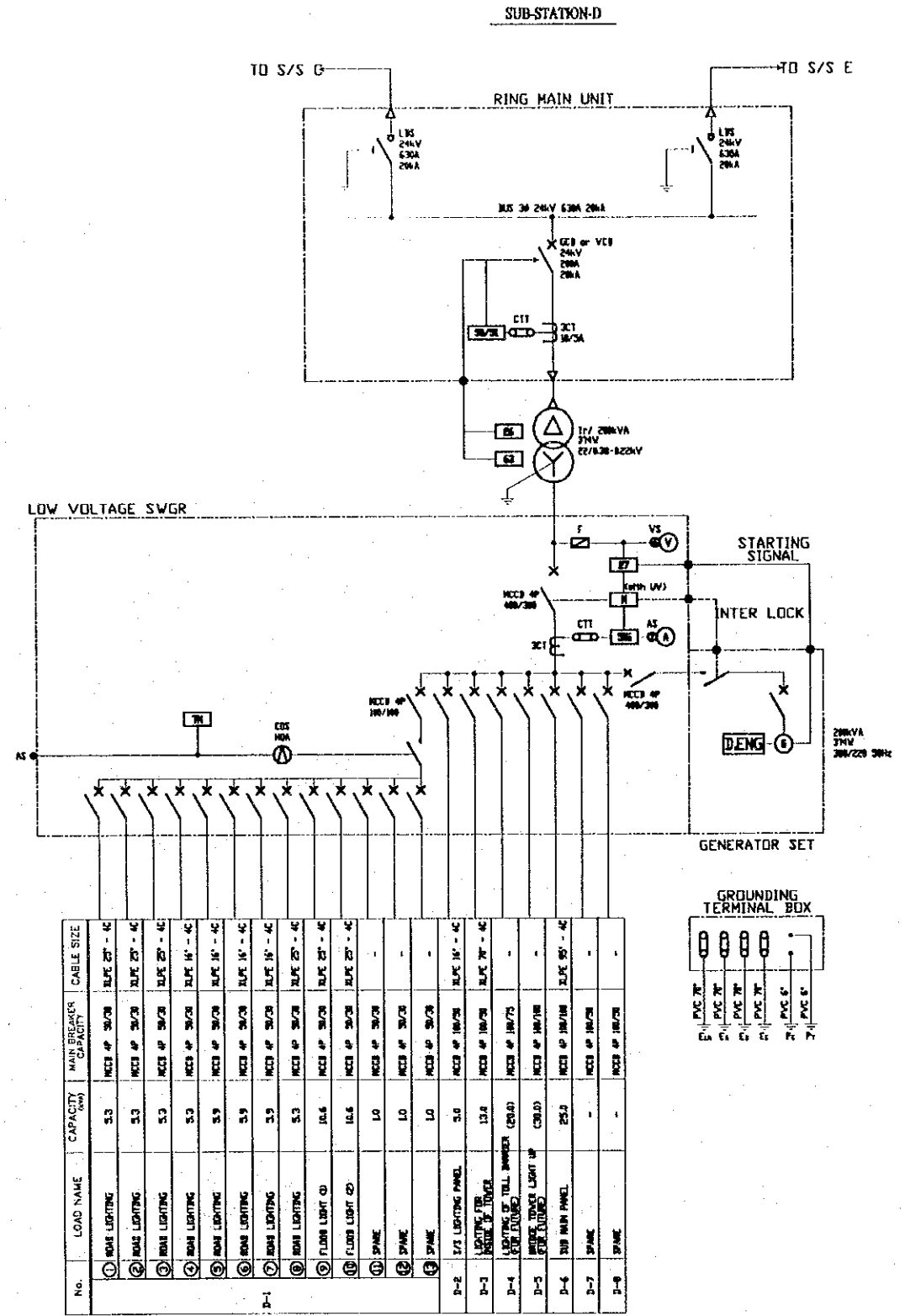
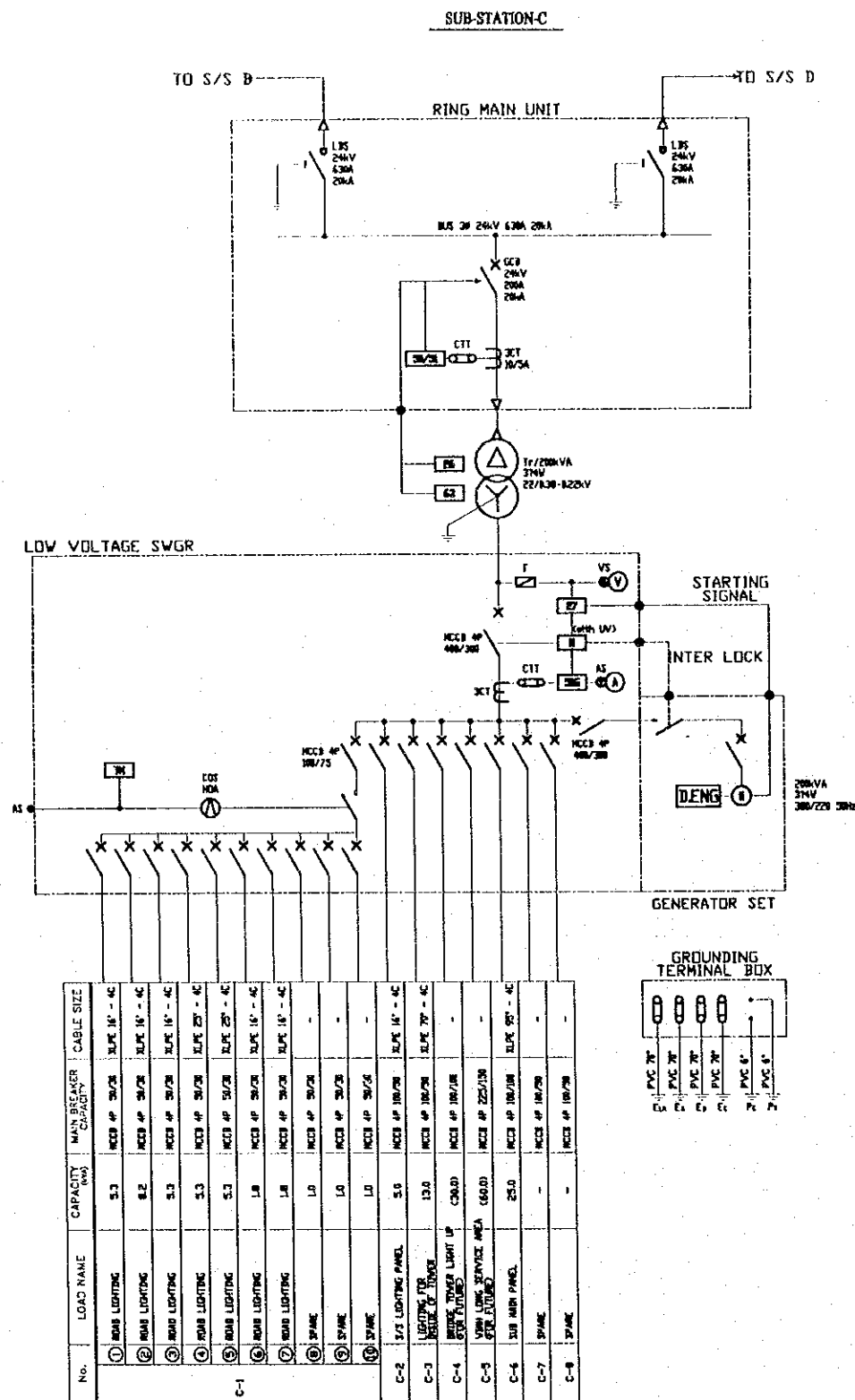
SINGLE LINE DIAGRAM



LEGEND :

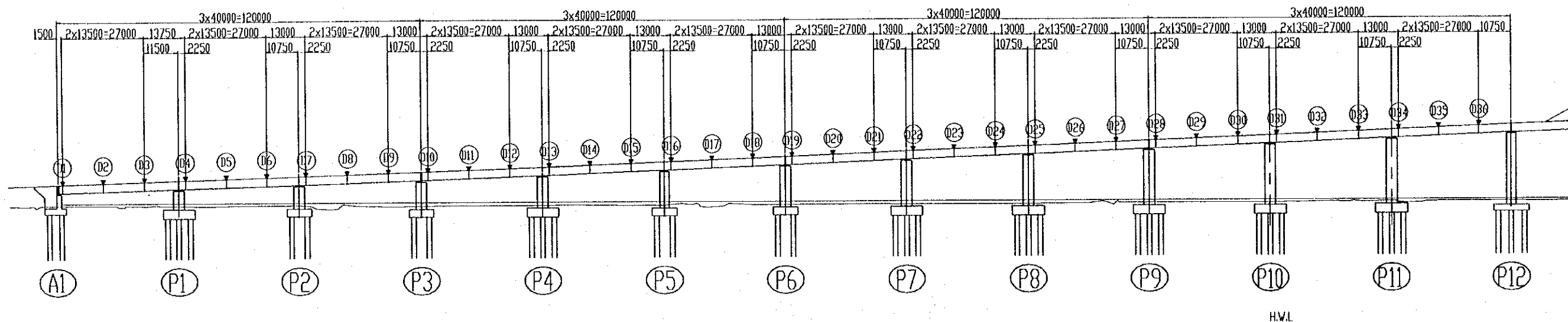
- | | |
|--|--|
| <ul style="list-style-type: none"> CIRCUIT BREAKER CABLE CONNECTION OIL TRANSFORMER DISCONNECTING SWITCH AC LOAD BREAK SWITCH GENERATOR DISTRIBUTION BOARD | <ul style="list-style-type: none"> PHOTO SWITCH TIMER (24HOUR) UNDER VOLTAGE RELAY MOTOR OPERATION UNIT(W/UNDER VOLTAGE) GROUND OVER CURRENT RELAY THERMAL RELAY PRESSURE OF VACUUM RELAY OVER CURRENT RELAY |
|--|--|

PROJECT NAME	IMPLEMENTATION AGENCY	EXECUTING AGENCY	JICA STUDY TEAM	PREPARED BY	CHECKED BY	APPROVED BY	DRAWING TITLE	DWG NO.
DETAILED DESIGN OF THE CAN THO BRIDGE CONSTRUCTION PROJECT	JAPAN INTERNATIONAL COOPERATION AGENCY (JICA)	SOCIALIST REPUBLIC OF VIET NAM MINISTRY OF TRANSPORT (MOT) MY THUAN PROJECT MANAGEMENT UNIT	NIPPON KOBEI CO.,LTD.	S. Kiguchi	K. Matsumoto	K. Enomoto	POWER RECEIVING SYSTEM	F2/MC/0210
				DATE: 20/9/2000	DATE: 29/9/2000	DATE: 5/10/2000		

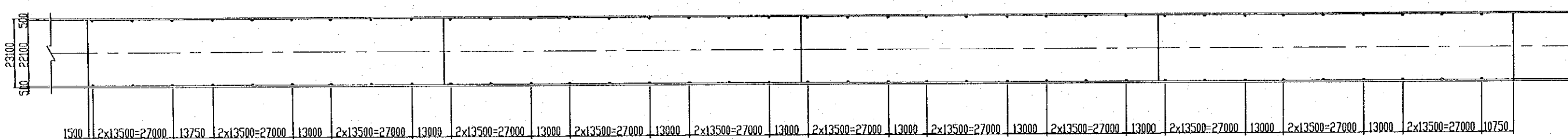


PROJECT NAME	IMPLEMENTATION AGENCY	EXECUTING AGENCY	JICA STUDY TEAM	PREPARED BY	CHECKED BY	APPROVED BY	DRAWING TITLE	DWG NO.
DETAILED DESIGN OF THE CAN THO BRIDGE CONSTRUCTION PROJECT	JICA JAPAN INTERNATIONAL COOPERATION AGENCY (JICA)	SOCIALIST REPUBLIC OF VIET NAM MINISTRY OF TRANSPORT (MOT) MY THUAN PROJECT MANAGEMENT UNIT	NIPPON KOEI CO.,LTD.	S. Kiguchi	K. Matsumoto	K. Enomoto	APPROACHI BRIDGE MISCELLANEOUS	P2/MC/0220
				DATE	DATE	DATE	DETAIL OF POWER RECEIVING SYSTEM	
				20/9/2000	29/9/2000	5/10/2000		

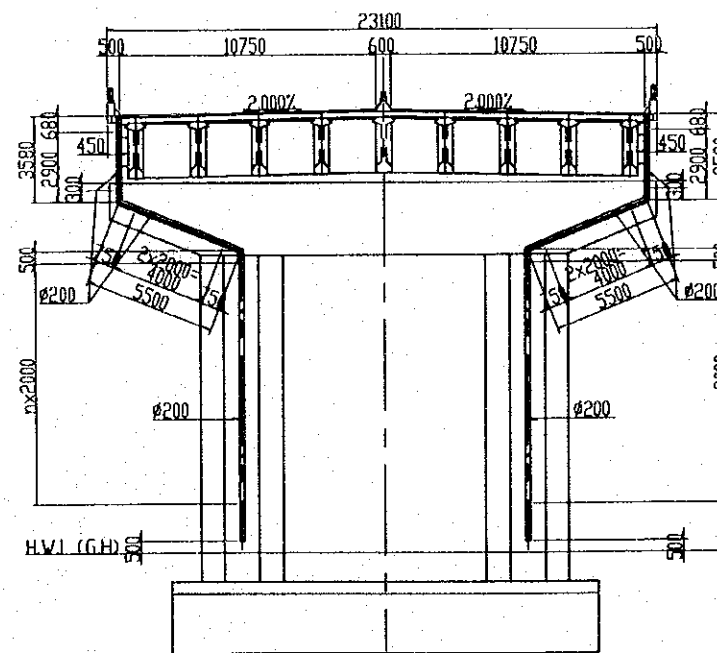
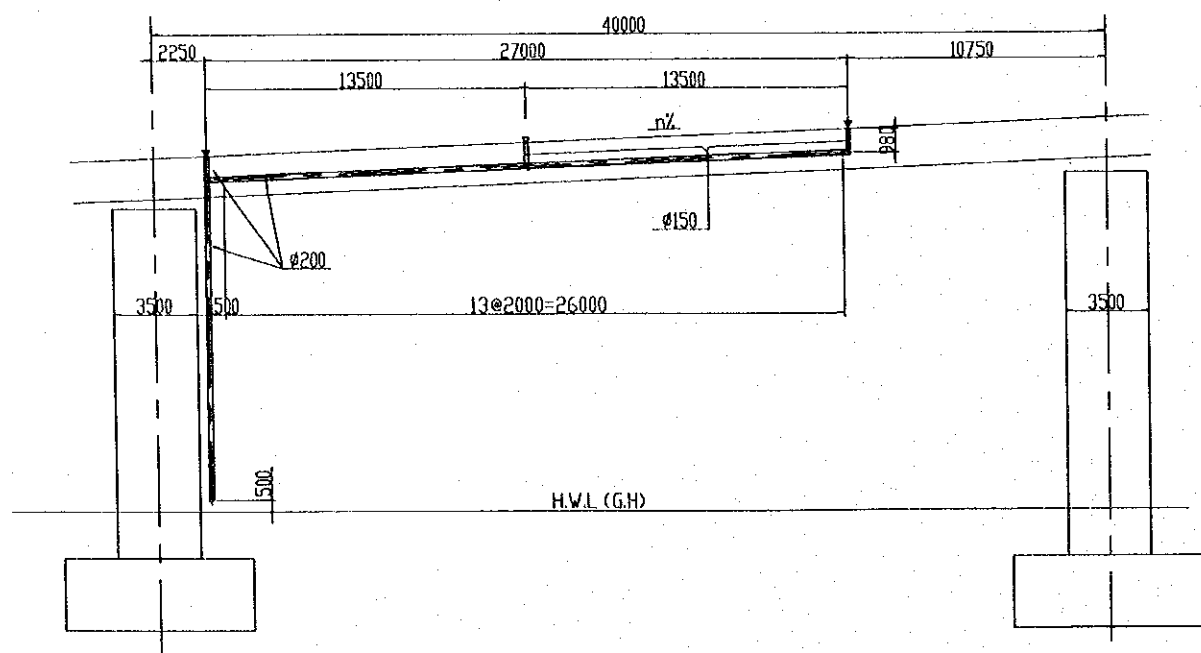
ELEVATION SCALE 1:700



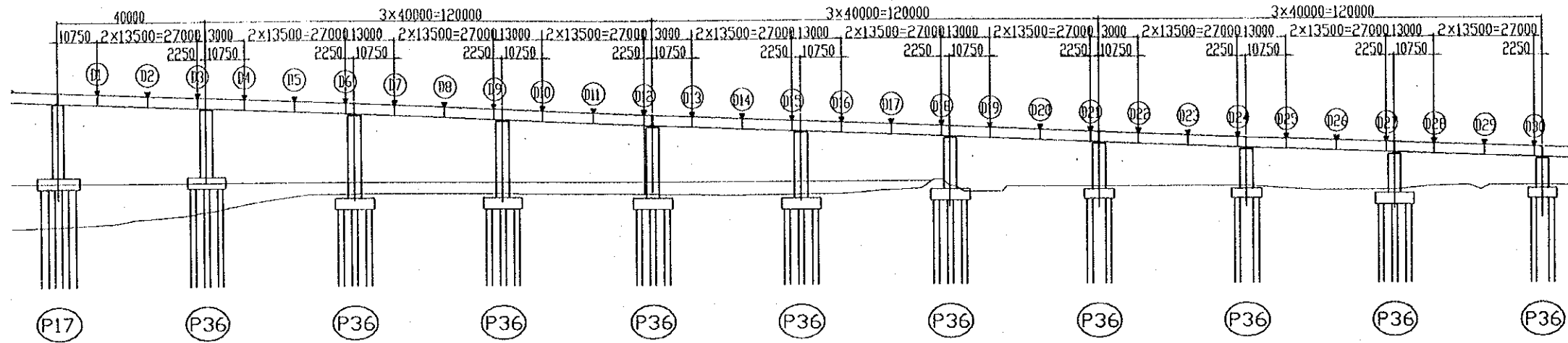
PLAN SCALE 1:700



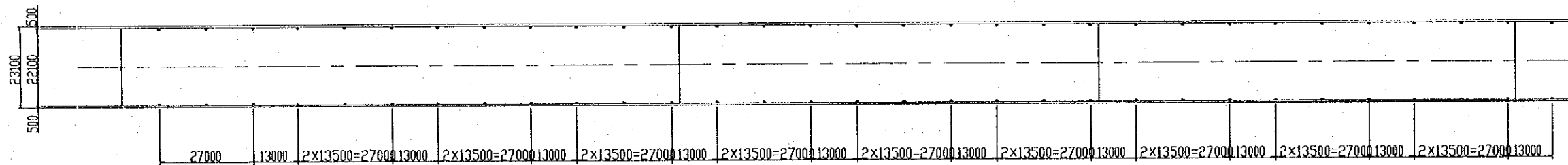
DRAINAGE ARRANGEMENT SCALE 1:150



PROJECT NAME DETAILED DESIGN OF THE CAN THO BRIDGE CONSTRUCTION PROJECT	IMPLEMENTATION AGENCY JICA JAPAN INTERNATIONAL COOPERATION AGENCY (JICA)	EXECUTING AGENCY SOCIALIST REPUBLIC OF VIET NAM MINISTRY OF TRANSPORT (MOT) MY THUAN PROJECT MANAGEMENT UNIT	JICA STUDY TEAM (NK) NIPPON KOEI CO.,LTD.	PREPARED BY NAME S. Kiguchi	CHECKED BY K. Matsumoto	APPROVED BY K. Enomoto	DRAWING TITLE APPROACH BRIDGE MISCELLANEOUS LAYOUT OF DORAINNAGE (1)	DWG NO. P2/MC/0230
				SIGNATURE <i>S. Kiguchi</i>	<i>K. Matsumoto</i>	<i>K. Enomoto</i>		
				DATE 20/9/2000	29/9/2000	3/10/2000		

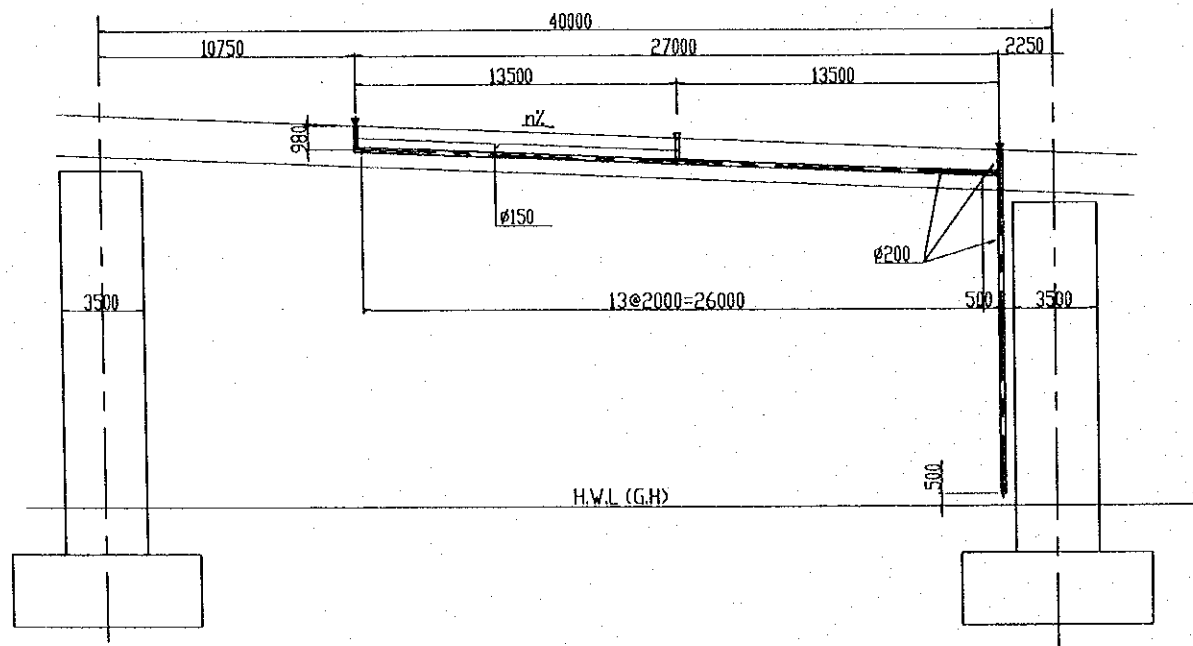


ELEVATION



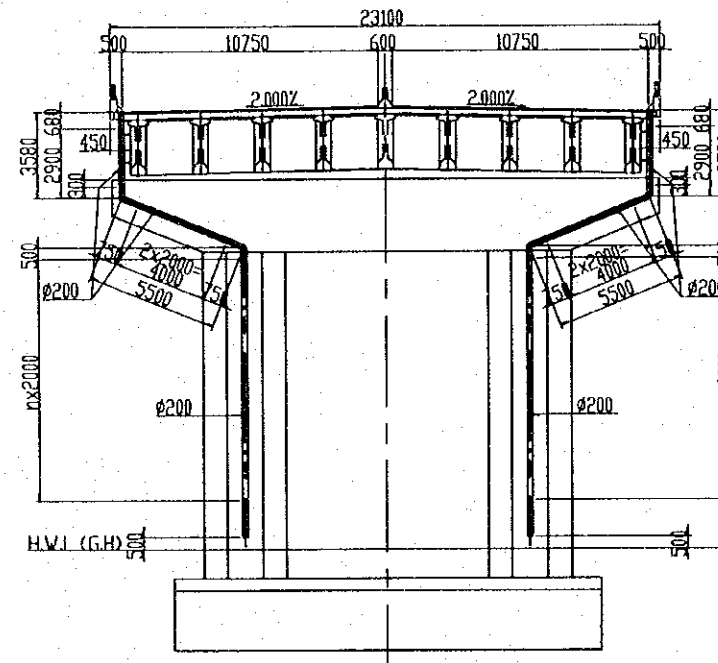
PLAN
DRAINAGE LAYOUT

SCALE 1/700

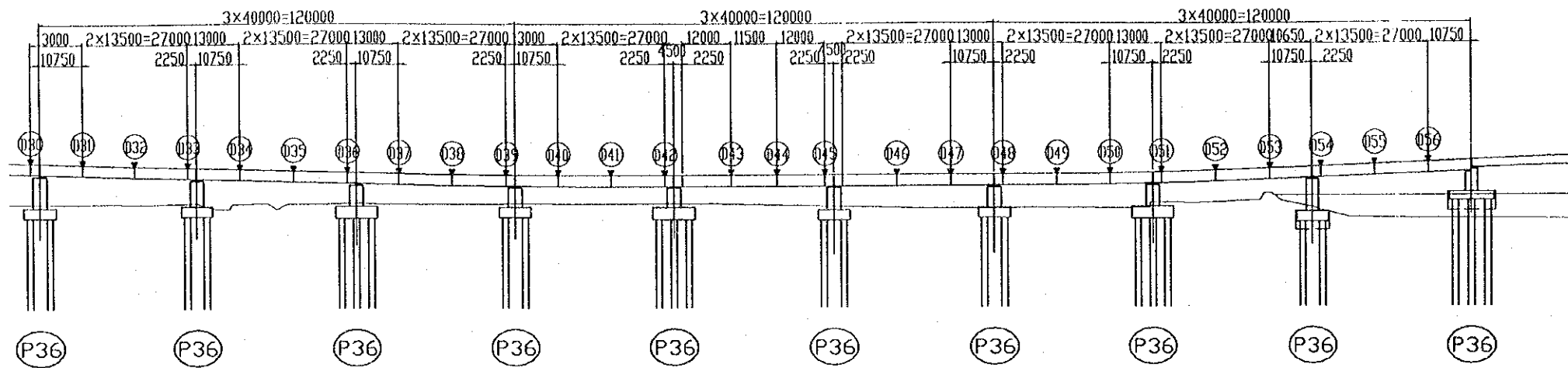


DRAINAGE ARRANGEMENT

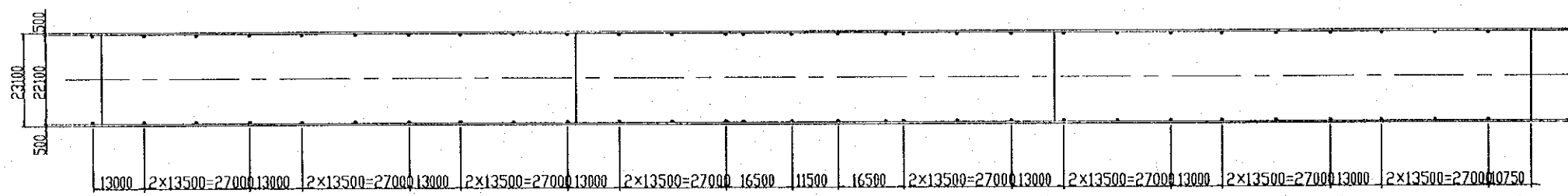
SCALE 1/150



PROJECT NAME	IMPLEMENTATION AGENCY	EXECUTING AGENCY	JICA STUDY TEAM	PREPARED BY	CHECKED BY	APPROVED BY	DRAWING TITLE	DWG NO.
DETAILED DESIGN OF THE CAN THO BRIDGE CONSTRUCTION PROJECT	JICA JAPAN INTERNATIONAL COOPERATION AGENCY (JICA)	SOCIALIST REPUBLIC OF VIET NAM MINISTRY OF TRANSPORT (MOT) MY THUAN PROJECT MANAGEMENT UNIT	(NK) NIPPON KOBI CO.,LTD.	S. Kiguchi	K. Matsumoto	K. Enomoto	APPROACH BRIDGE MISCELLANEOUS LAYOUT OF DORAINNAGE (2)	P2/MC/0240
				DATE: 20/9/2000	DATE: 29/9/2000	DATE: 5/10/2000		

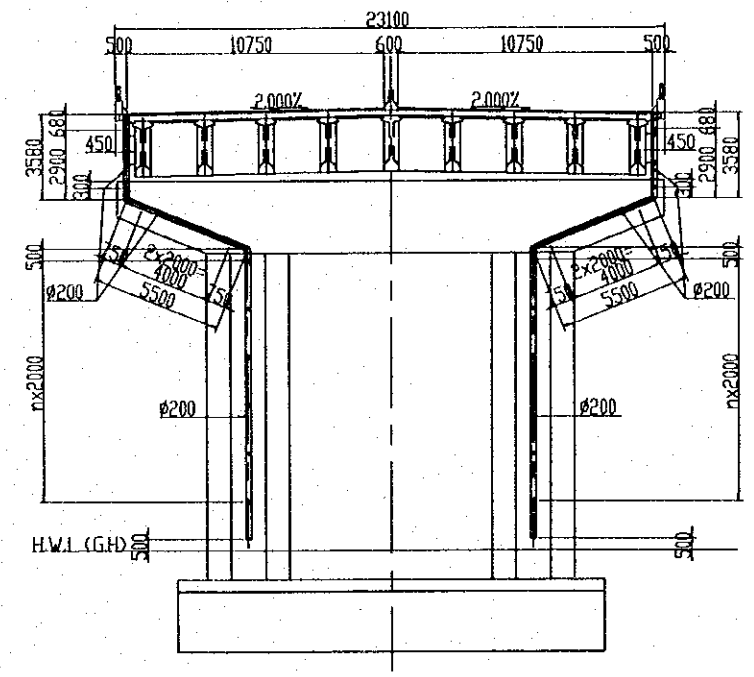
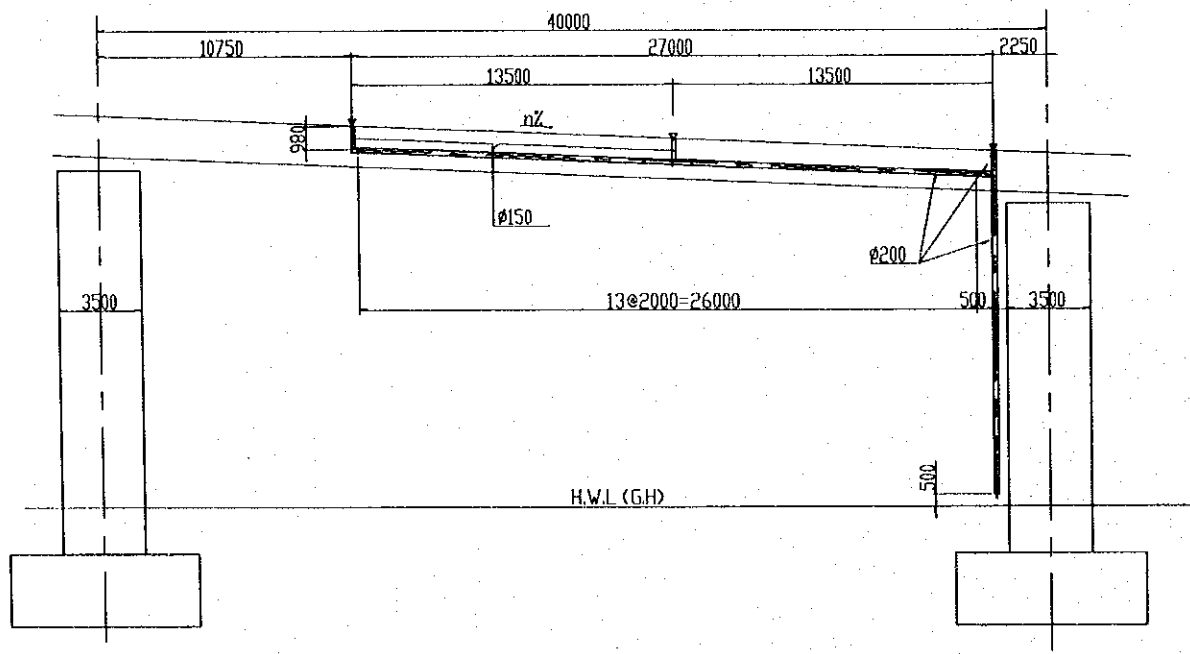


ELEVATION



PLAN
DRAINAGE LAYOUT

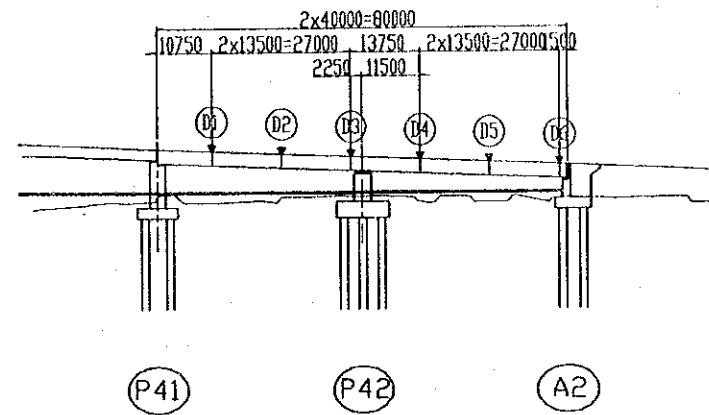
SCALE 1:700



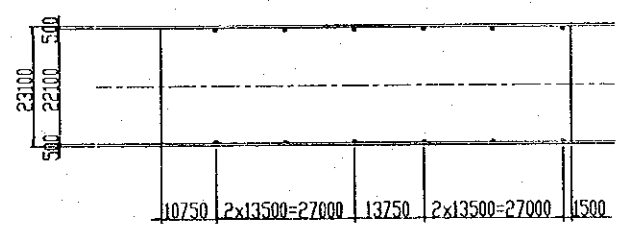
DRAINAGE ARRANGEMENT

SCALE 1:150

PROJECT NAME	IMPLEMENTATION AGENCY	EXECUTING AGENCY	JICA STUDY TEAM	PREPARED BY	CHECKED BY	APPROVED BY	DRAWING TITLE	DWG NO.
DETAILED DESIGN OF THE CAN THO BRIDGE CONSTRUCTION PROJECT	JICA JAPAN INTERNATIONAL COOPERATION AGENCY (JICA)	SOCIALIST REPUBLIC OF VIET NAM MINISTRY OF TRANSPORT (MOT) MY THUAN PROJECT MANAGEMENT UNIT	(NK) NIPPON KOEI CO., LTD.	S. Kiguchi	K. Matsumoto	K. Enomoto	APPROACH BRIDGE MISCELLANEOUS LAYOUT OF DORAINNAGE (3)	P2/MC/0250
				SIGNATURE	SIGNATURE	SIGNATURE		
				DATE	DATE	DATE		
				20/9/2000	29/9/2000	5/10/2000		

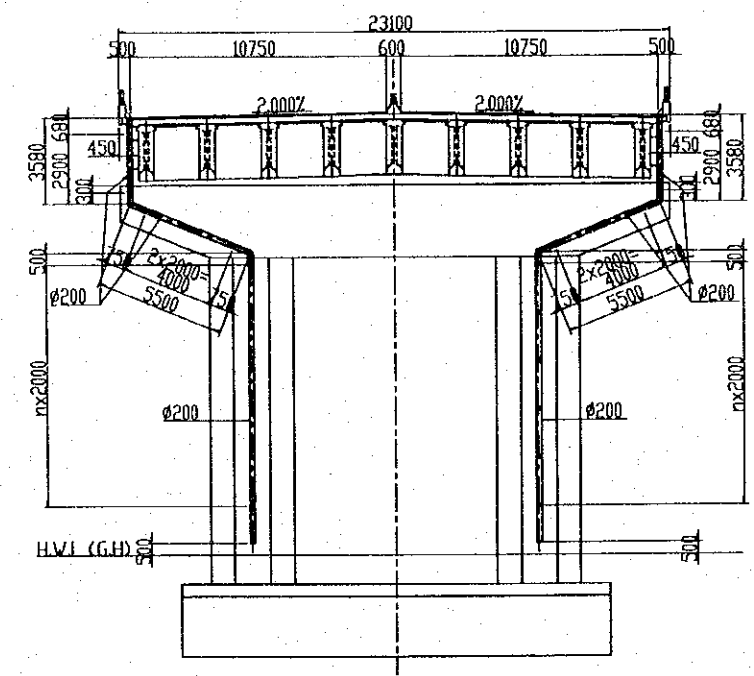
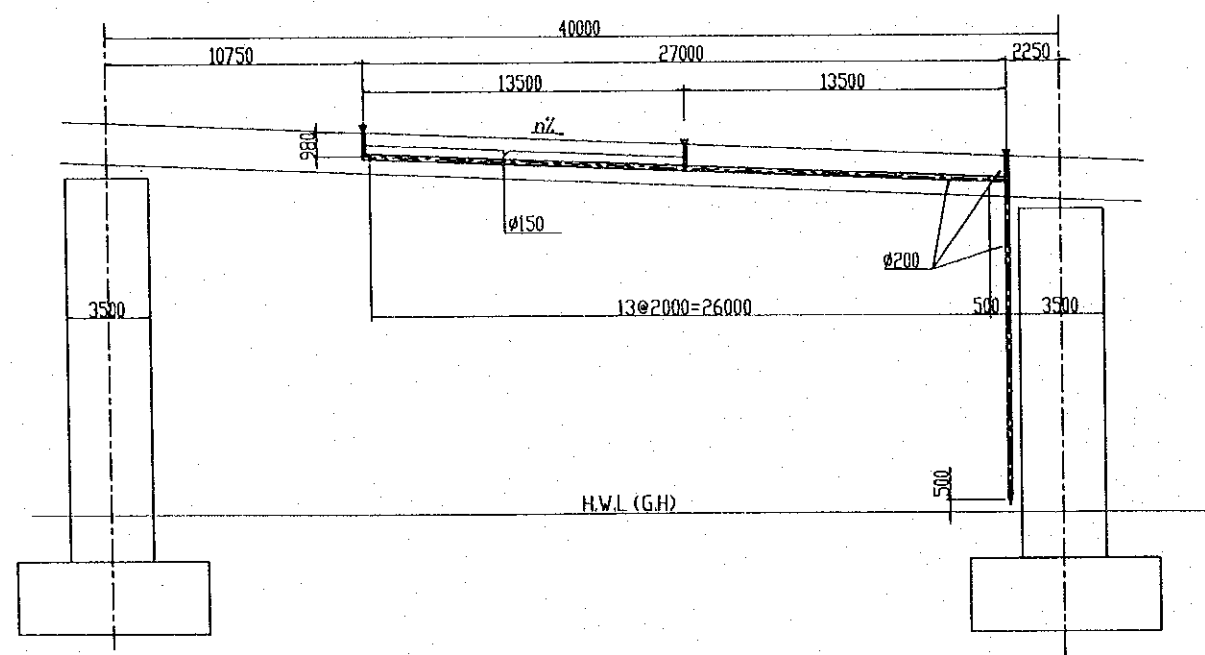


ELEVATION



PLAN

DRAINAGE LAYOUT



DRAINAGE ARRANGEMENT

PROJECT NAME	IMPLEMENTATION AGENCY	EXECUTING AGENCY	JICA STUDY TEAM	PREPARED BY	CHECKED BY	APPROVED BY	DRAWING TITLE	DWG NO.
DETAILED DESIGN OF THE CAN THO BRIDGE CONSTRUCTION PROJECT	JICA JAPAN INTERNATIONAL COOPERATION AGENCY (JICA)	SOCIALIST REPUBLIC OF VIET NAM MINISTRY OF TRANSPORT (MOT) MY THUAN PROJECT MANAGEMENT UNIT	NIPPON KOBI CO.,LTD.	S. Kiguchi	K. Matsumoto	K. Enomoto	APPROACH BRIDGE MISCELLANEOUS LAYOUT OF DORAINNAGE (4)	P2/MC/0260
				DATE	DATE	DATE		
				20/9/2000	29/9/2000	5/10/2000		

JICA