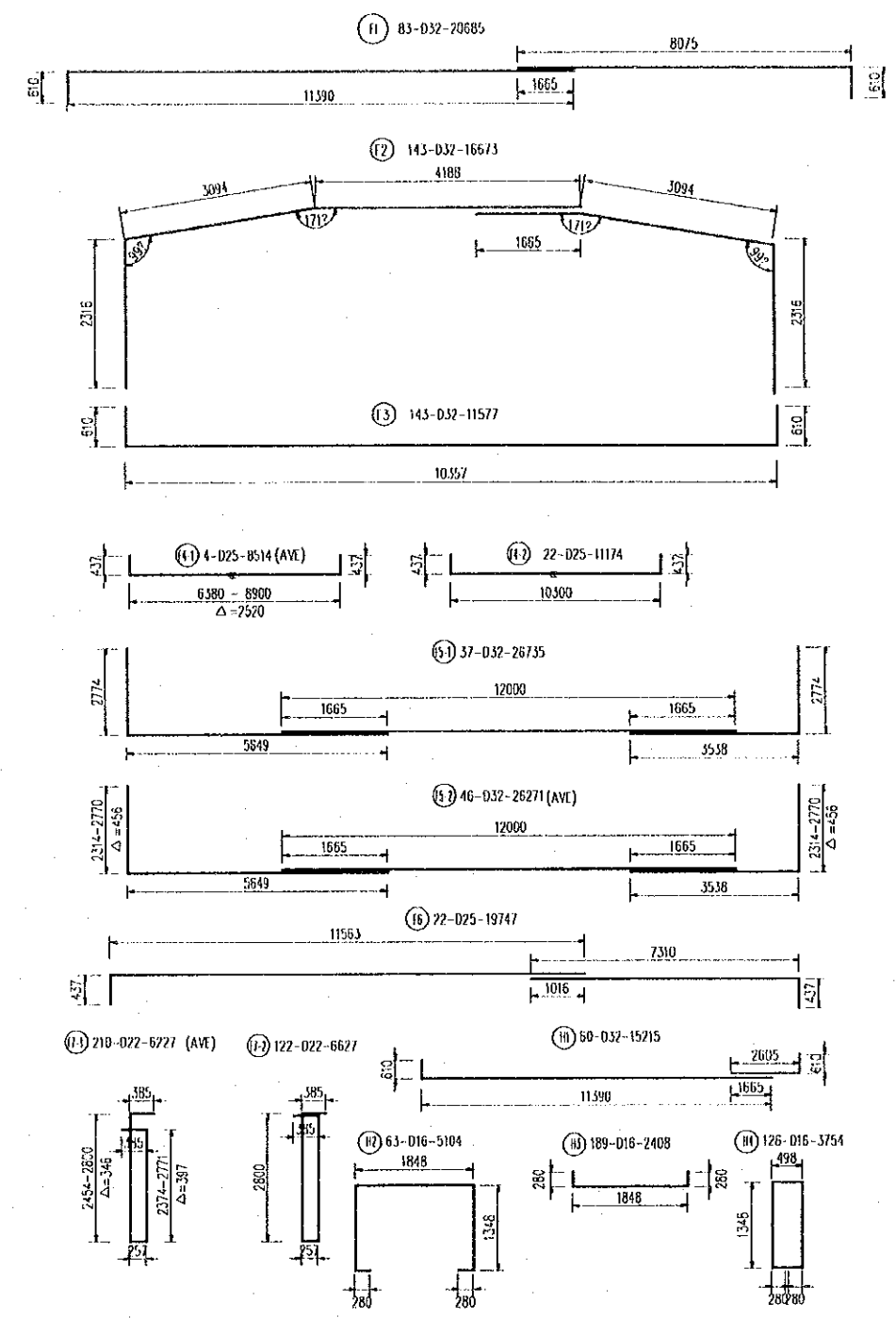
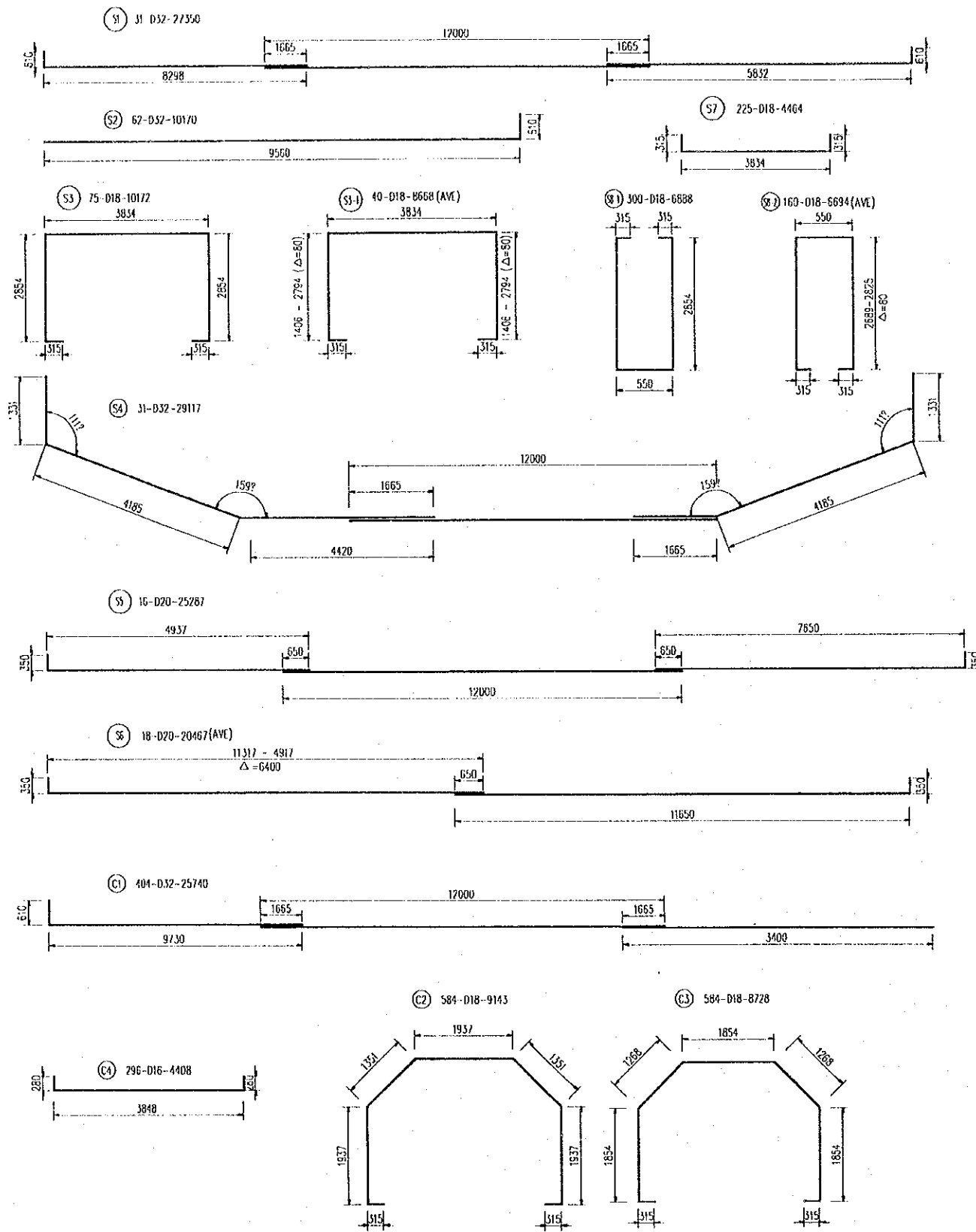


BAR BENDING SCHEDULE OF PIER No.12

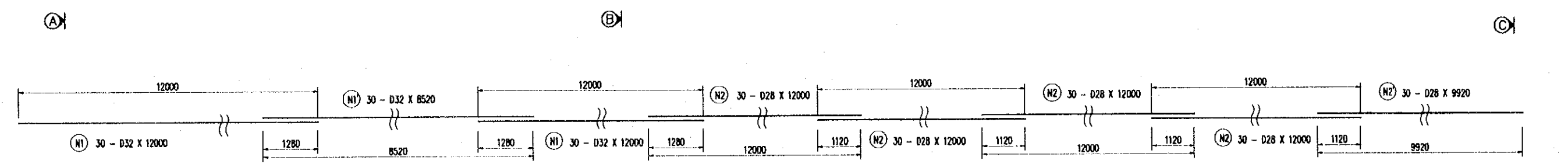
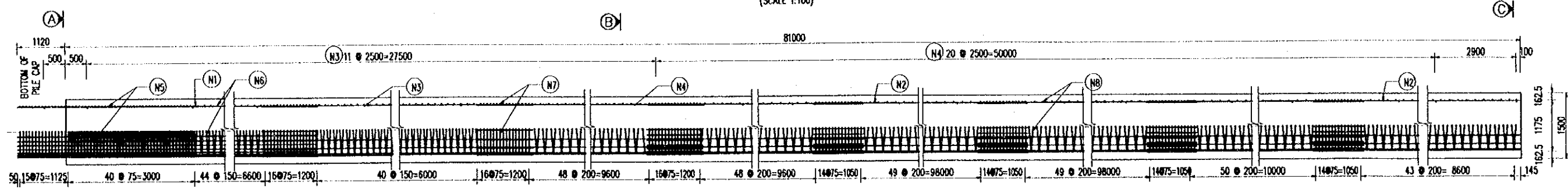


NOTE:
ALL DIMENSIONS ARE IN MILLIMETERS, UNLESS OTHERWISE INDICATED.

PROJECT NAME	IMPLEMENTATION AGENCY	EXECUTING AGENCY	JICA STUDY TEAM	PREPARED BY	CHECKED BY	APPROVED BY	DRAWING TITLE	DWG NO.
DETAILED DESIGN OF THE CAN THO BRIDGE CONSTRUCTION PROJECT	JAPAN INTERNATIONAL COOPERATION AGENCY (JICA)	SOCIALIST REPUBLIC OF VIET NAM MINISTRY OF TRANSPORT (MOT) MY THUAN PROJECT MANAGEMENT UNIT	NIIPPON KOEI CO.,LTD.	NAME: S. Kiguchi SIGNATURE: <i>S. Kiguchi</i> DATE: 20/9/2000	NAME: K. Matsumoto SIGNATURE: <i>K. Matsumoto</i> DATE: 29/9/2000	NAME: K. Enomoto SIGNATURE: <i>K. Enomoto</i> DATE: 5/10/2000	CABLE STAYED BRIDGE SUBSTRUCTURE DETAILED REINFORCEMENT BAR OF PIER No.12	P2-CS-4290

BORED CAST IN-SITU PILE DETAILS

(SCALE 1:100)



SECTION A-A
(SCALE 1:50)

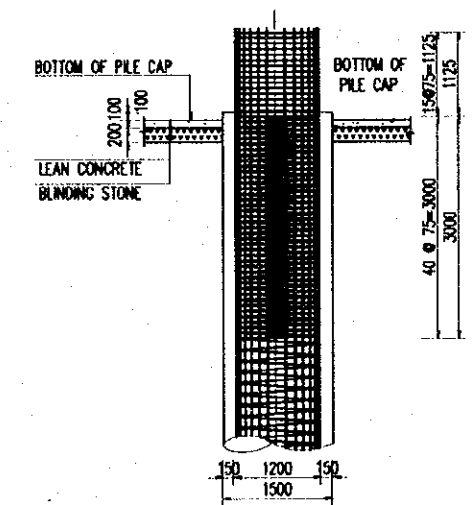
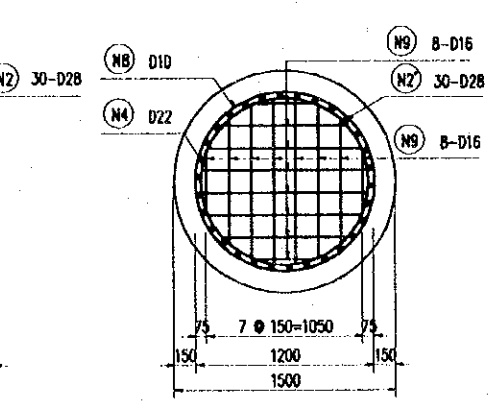
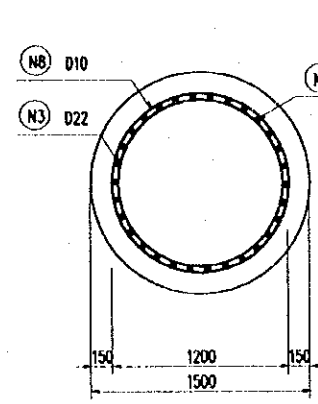
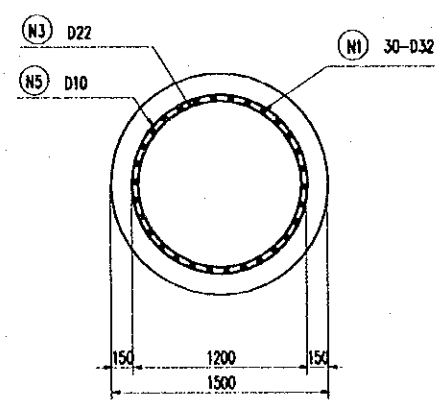
SECTION B-B
(SCALE 1:50)

SECTION C-C
(SCALE 1:50)

DETAIL OF CONCRETE PILE HEAD

(SCALE 1:100)

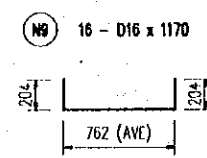
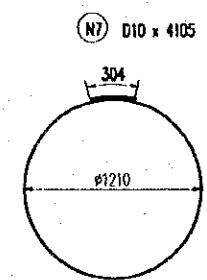
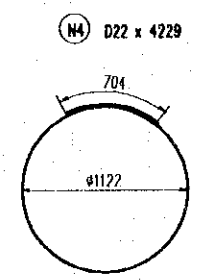
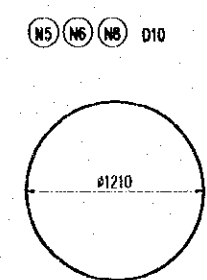
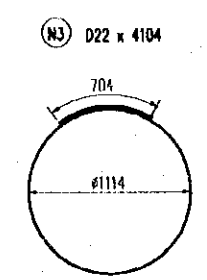
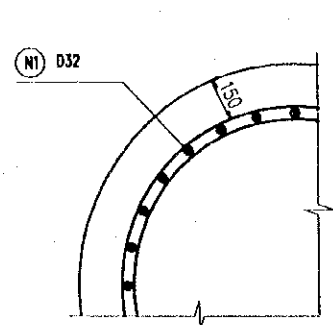
MATERIAL OF PILE



TYPE	D (mm)	LENGTH OF BAR (mm)	U.WEIGHT (kg/m)	NUMBER	WEIGHT (kg)	CONCRETE VOLUME (m ³)
N1	D32	12000	5.313	50	4545.4	143.14
N1'	D32	8520	5.313	30	1613.6	
N2	D28	12000	4.834	120	6961.0	
N2'	D28	9920	4.834	30	1438.6	
N3	D22	4104	2.984	13	159.2	
N4	D22	4229	2.984	21	265	
N5	D10	15584	0.617	1	96.2	
N6	D10	323085	0.617	1	199.3	
N7	D10	4105	0.617	120	303.9	
N8	D10	1084688	0.617	1	669.3	
N9	D16	1170	1.578	16	29.5	
			D10		1268.7 KC	
			D16		29.5 KC	
			D22		424.2 KC	
			D28		8399.6 KC	
			D32		6159.0 KC	
			TOTAL		16281.0 KC	

DETAIL OF COVERING

(SCALE 1:25)

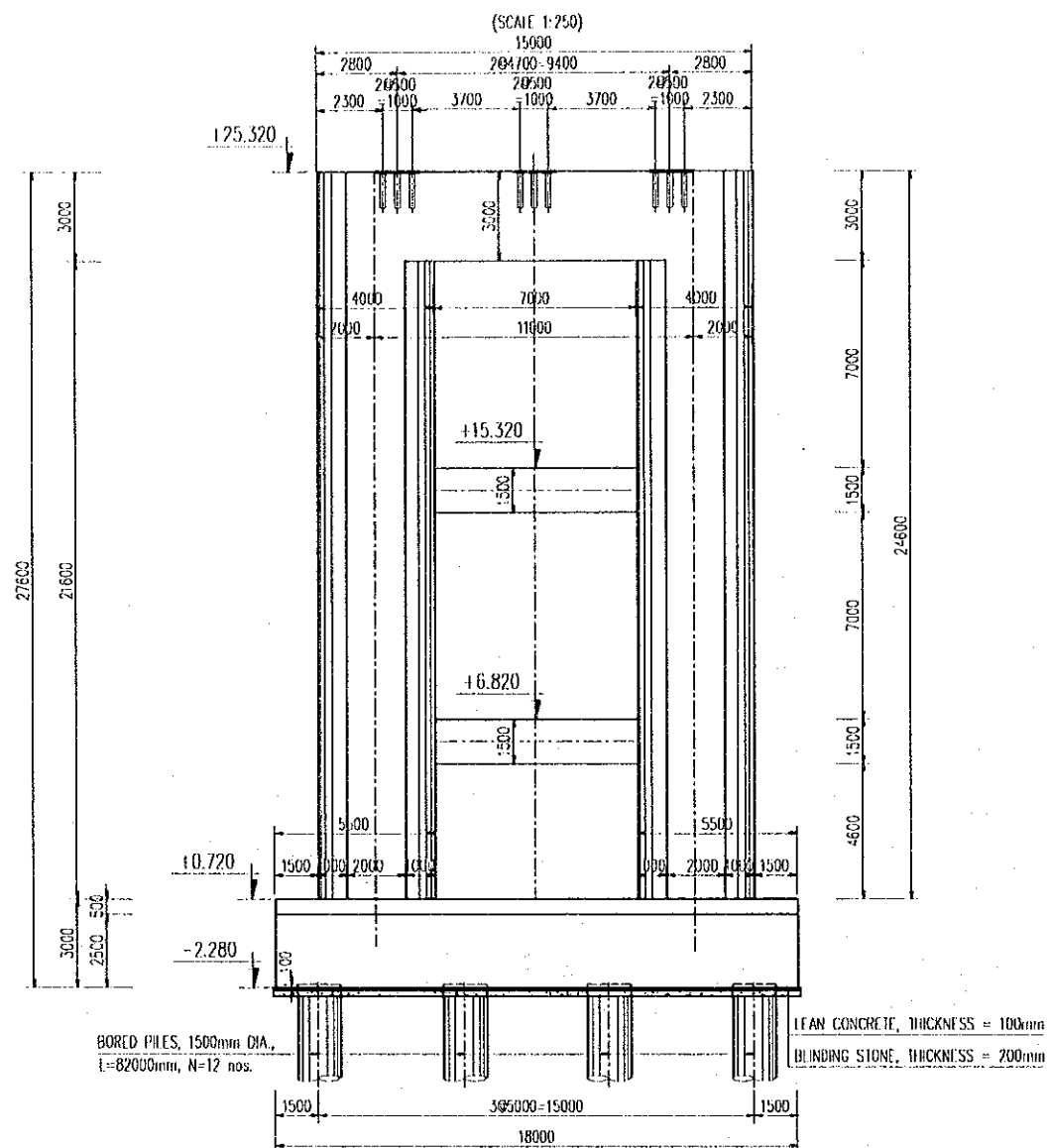


NOTES

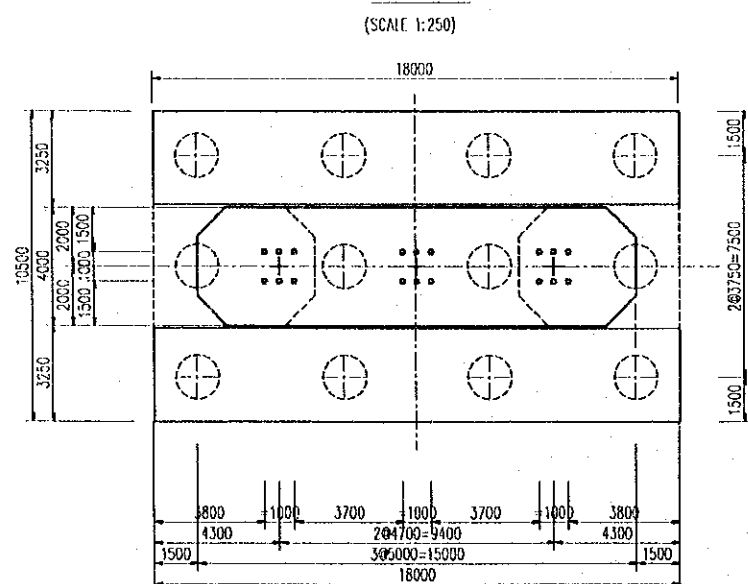
FOR STANDARD STRUCTURAL NOTES SEE DRAWING NO ...

PROJECT NAME	IMPLEMENTATION AGENCY	EXECUTING AGENCY	JICA STUDY TEAM	PREPARED BY	CHECKED BY	APPROVED BY	DRAWING TITLE	DWG NO.
DETAILED DESIGN OF THE CAN THO BRIDGE CONSTRUCTION PROJECT	JAPAN INTERNATIONAL COOPERATION AGENCY (JICA)	SOCIALIST REPUBLIC OF VIET NAM MINISTRY OF TRANSPORT (MOT) MY THUAN PROJECT MANAGEMENT UNIT	NIPPON KOEI CO.,LTD.	NAME: S. Kiguchi SIGNATURE: <i>S. Kiguchi</i> DATE: 20/9/2000	NAME: K. Matsumoto SIGNATURE: <i>K. Matsumoto</i> DATE: 29/9/2000	NAME: K. Enomoto SIGNATURE: <i>K. Enomoto</i> DATE: 5/10/2000	CABLE STAYED BRIDGE SUBSTRUCTURE PIER No.12 BORED CAST-IN-SITU PILE-Ø1500mm - L-61m	P2-CS-4300

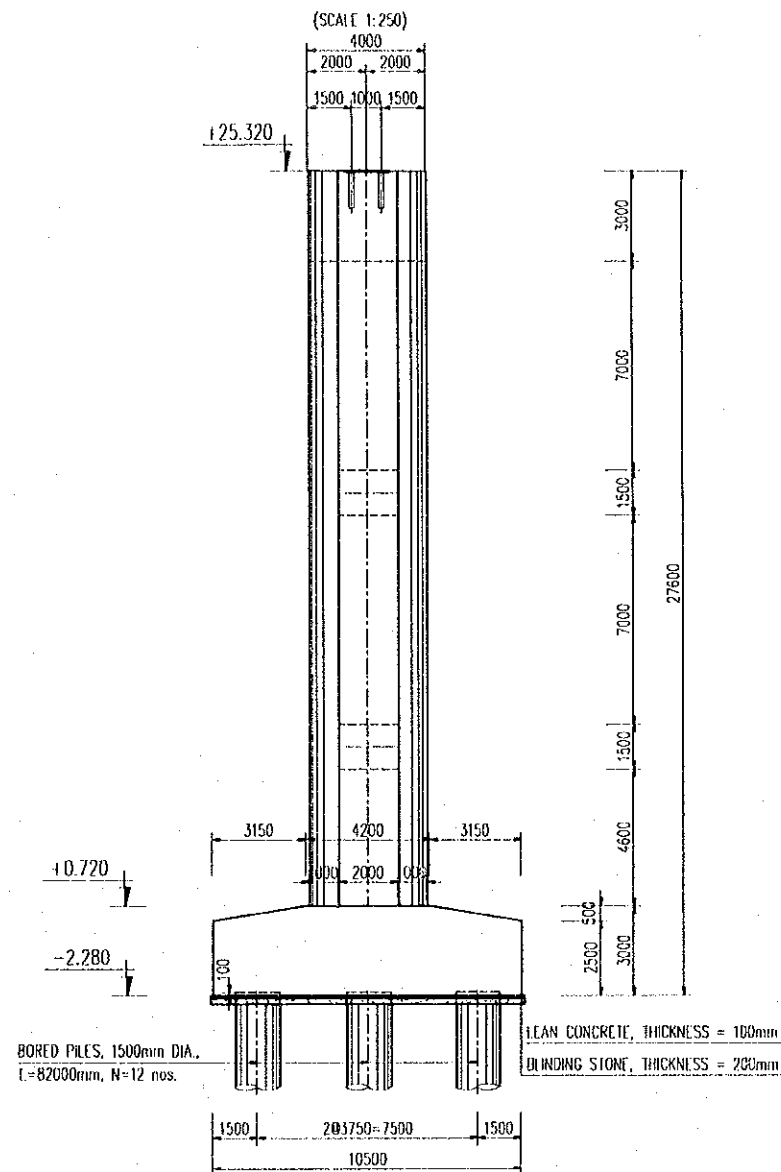
ELEVATION



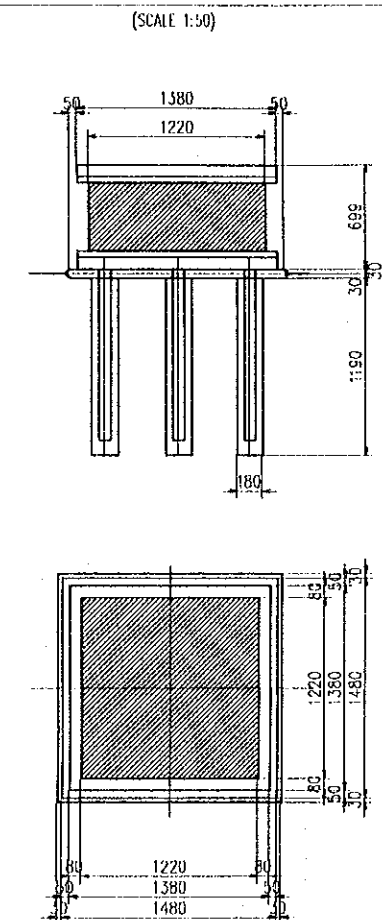
PLAN



SIDE ELEVATION



DETAIL OF BRIDGE SEAT



NOTE:

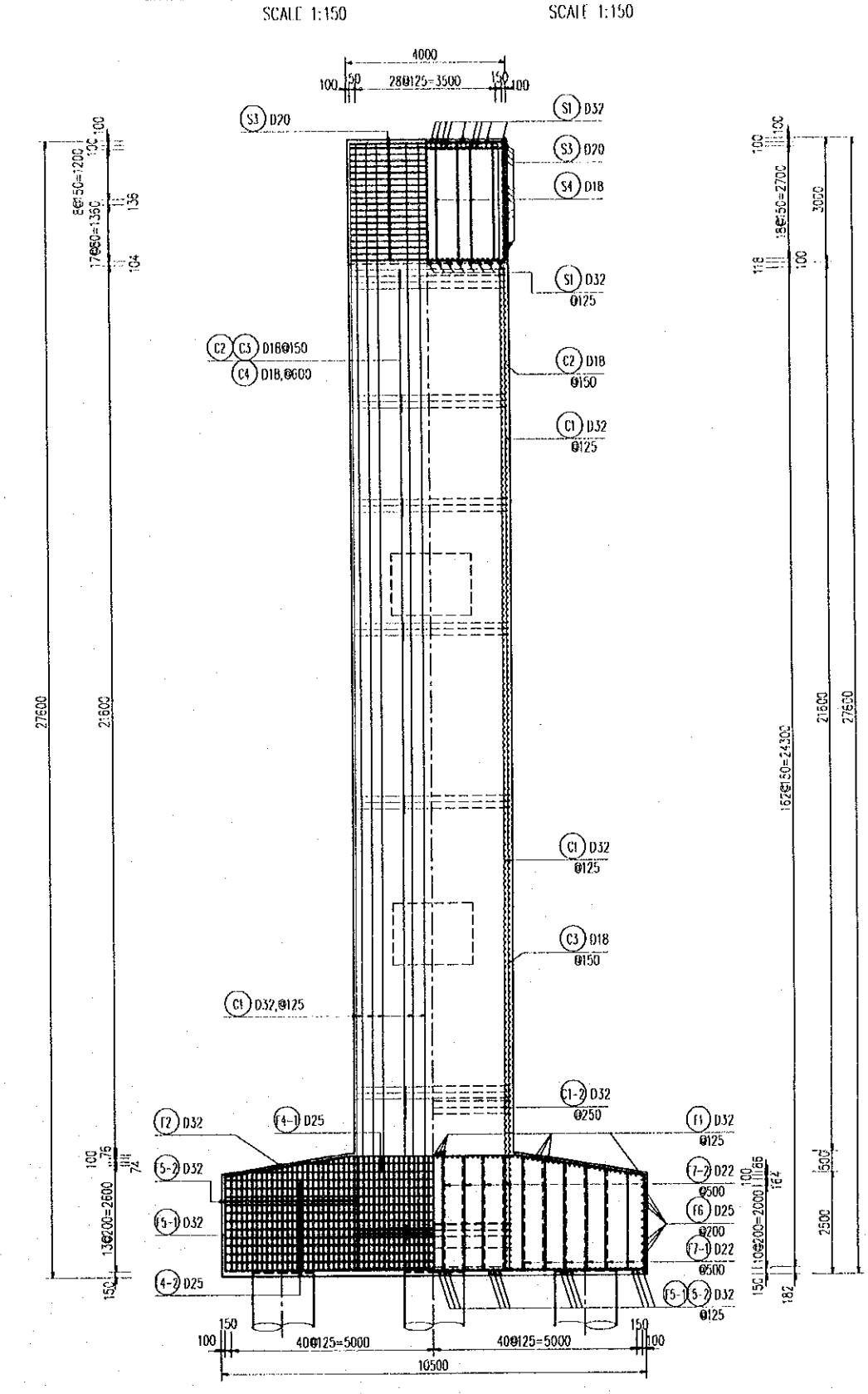
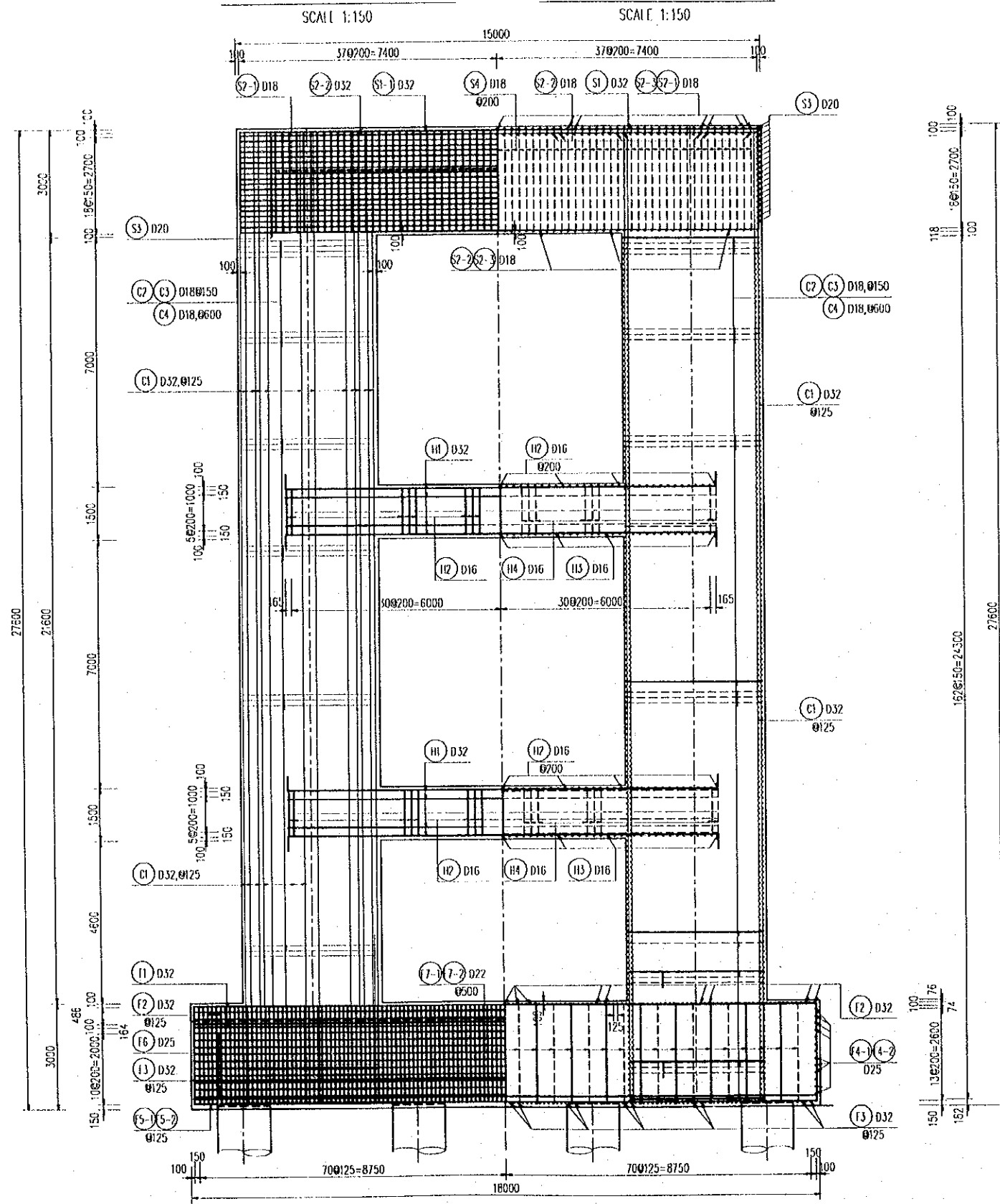
ALL DIMENSIONS ARE IN MILLIMETERS, UNLESS OTHERWISE INDICATED.

PROJECT NAME	IMPLEMENTATION AGENCY	EXECUTING AGENCY	JICA STUDY TEAM	PREPARED BY	CHECKED BY	APPROVED BY	DRAWING TITLE	DWG NO.
DETAILED DESIGN OF THE CAN THO BRIDGE CONSTRUCTION PROJECT	JICA JAPAN INTERNATIONAL COOPERATION AGENCY (JICA)	SOCIALIST REPUBLIC OF VIET NAM MINISTRY OF TRANSPORT (MOT) MY THUAN PROJECT MANAGEMENT UNIT	NIPPON KOEI CO.,LTD.	S. Kiguchi	K. Matsumoto	K. Enomoto	CABLE STAYED BRIDGE SUBSTRUCTURE GENERAL VIEW OF PIER No.13	P2-CS-4310
				SIGNATURE	SIGNATURE	SIGNATURE		
				DATE	DATE	DATE		

HALF SECTION 1-1

HALF SECTION 2-2

HALF SECTION 3-3 HALF SECTION 4-4

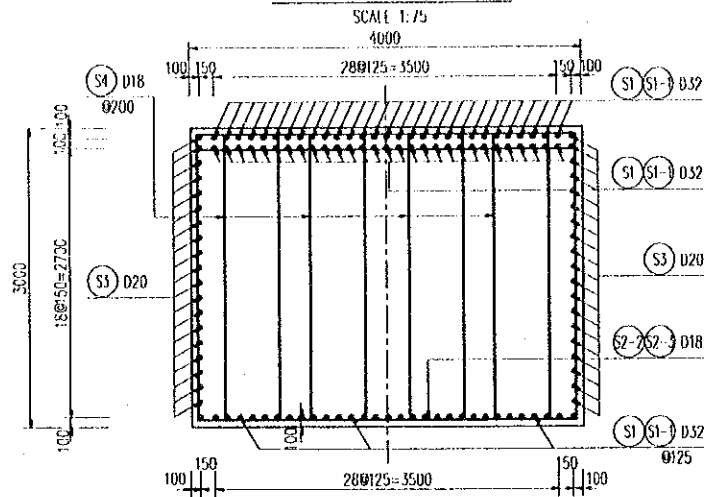


NOTE:

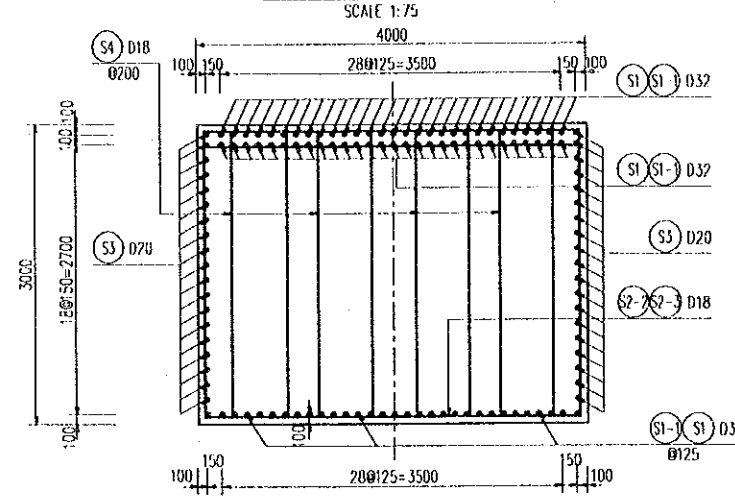
ALL DIMENSIONS ARE IN MILLIMETERS, UNLESS OTHERWISE INDICATED.

PROJECT NAME DETAILED DESIGN OF THE CAN THO BRIDGE CONSTRUCTION PROJECT	IMPLEMENTATION AGENCY JAPAN INTERNATIONAL COOPERATION AGENCY (JICA)	EXECUTING AGENCY SOCIALIST REPUBLIC OF VIET NAM MINISTRY OF TRANSPORT (MOT) MY THUAN PROJECT MANAGEMENT UNIT	JICA STUDY TEAM NIPPON KOEI CO.,LTD.	PREPARED BY NAME: S. Kiguchi SIGNATURE: <i>S. Kiguchi</i> DATE: 20/9/2000	CHECKED BY K. Matsumoto <i>K. Matsumoto</i> 29/9/2000	APPROVED BY K. Enomoto <i>K. Enomoto</i> 5/10/2000	DRAWING TITLE CABLE STAYED BRIDGE SUBSTRUCTURE REINFORCEMENT ARRANGEMENT OF PIER No.13 (SHEET 1/2)	DWG NO. P2-CS-4320
---	---	--	--	---	---	--	---	------------------------------

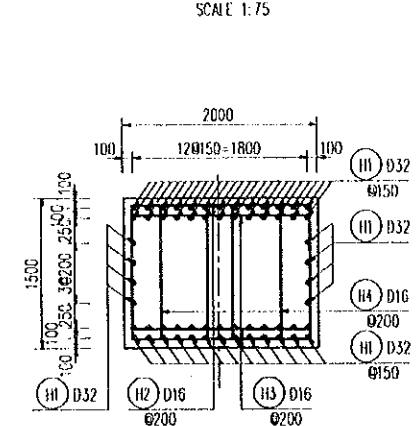
SECTION 5 - 5



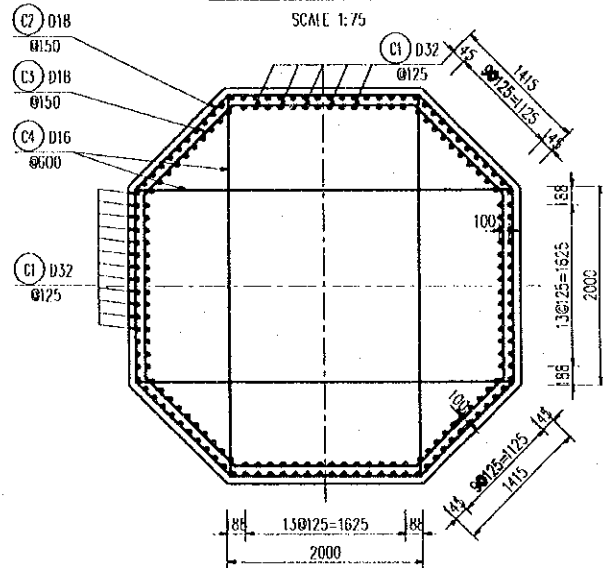
SECTION 6 - 6



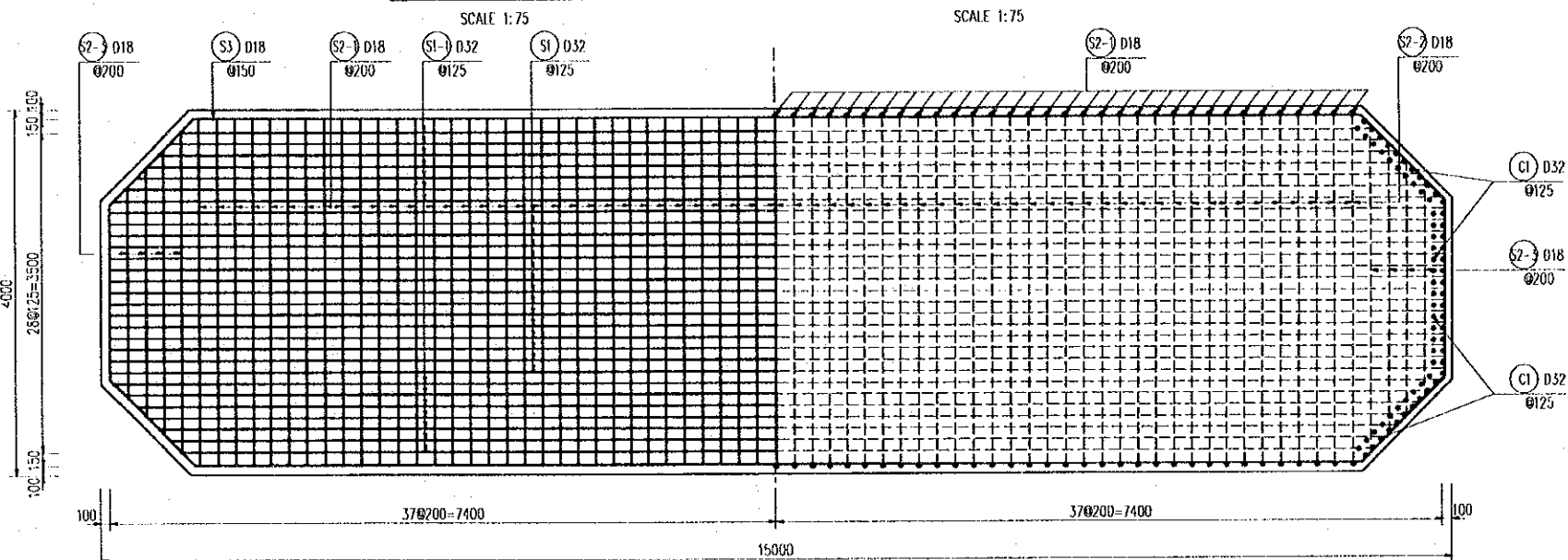
SECTION 7 - 7



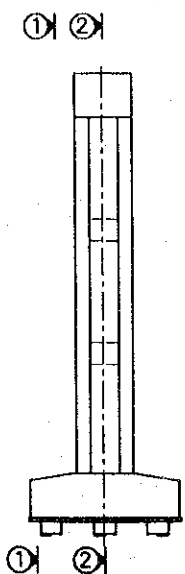
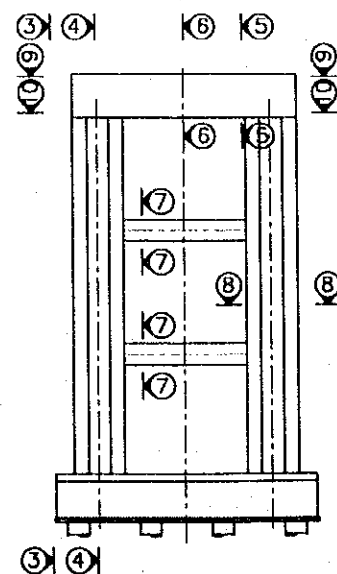
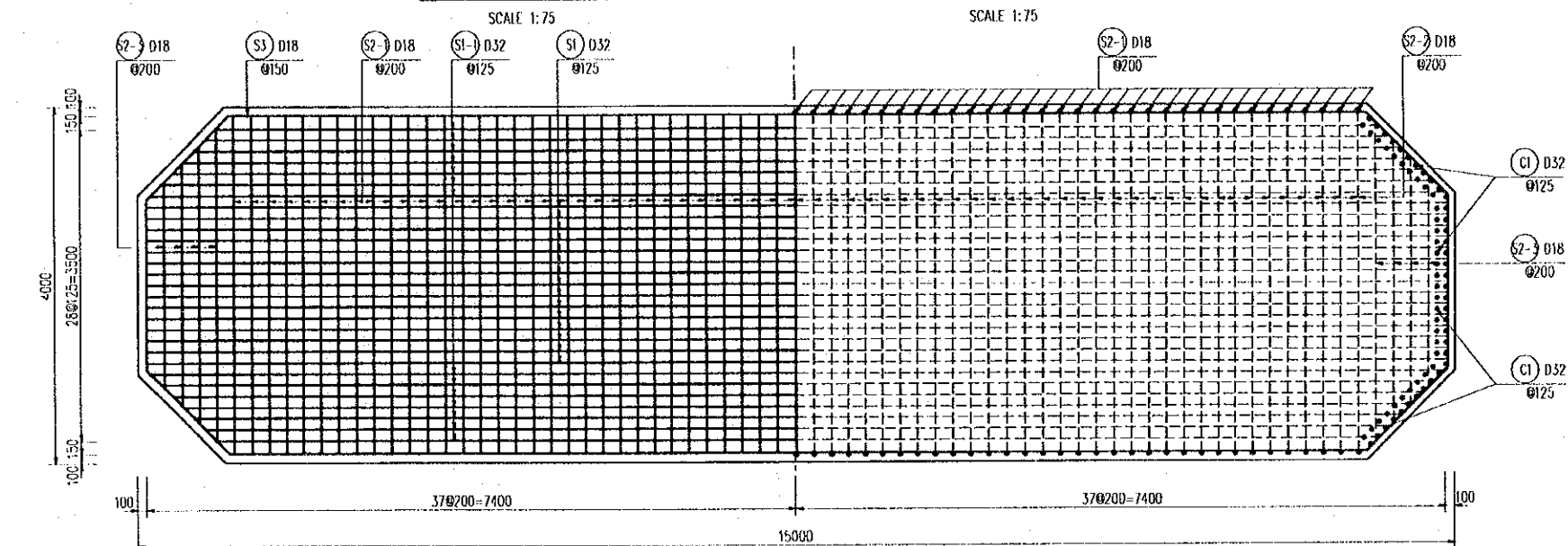
SECTION 8 - 8



SECTION 9 - 9



SECTION 10 - 10

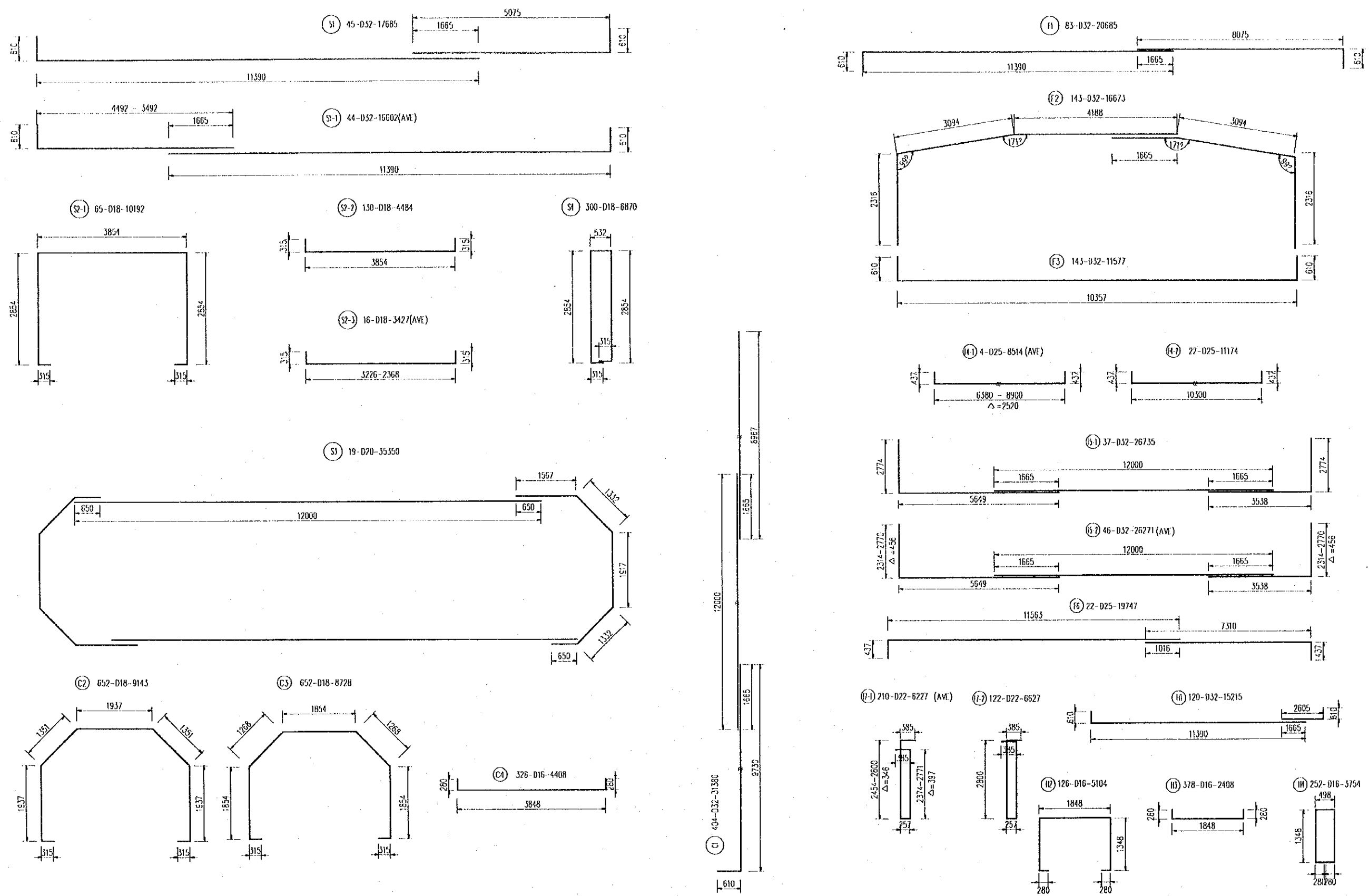


NOTE:

ALL DIMENSIONS ARE IN MILLIMETERS, UNLESS OTHERWISE INDICATED.

PROJECT NAME DETAILED DESIGN OF THE CAN THO BRIDGE CONSTRUCTION PROJECT	IMPLEMENTATION AGENCY JICA JAPAN INTERNATIONAL COOPERATION AGENCY (JICA)	EXECUTING AGENCY SOCIALIST REPUBLIC OF VIET NAM MINISTRY OF TRANSPORT (MOT) MY THUAN PROJECT MANAGEMENT UNIT	JICA STUDY TEAM NIPPON KOEI CO., LTD.	PREPARED BY NAME: S. Kiguchi SIGNATURE: <i>S. Kiguchi</i> DATE: 20/9/2000	CHECKED BY K. Matsumoto SIGNATURE: <i>K. Matsumoto</i> DATE: 29/9/2000	APPROVED BY K. Enomoto SIGNATURE: <i>K. Enomoto</i> DATE: 5/10/2000	DRAWING TITLE CABLE STAYED BRIDGE SUBSTRUCTURE REINFORCEMENT ARRANGEMENT OF PIER No.13 (SHEET 2/2)	DWG NO. P2-CS-4330
---	---	--	---	---	--	---	--	------------------------------

BAR BENDING SCHEDULE OF PIER No.13

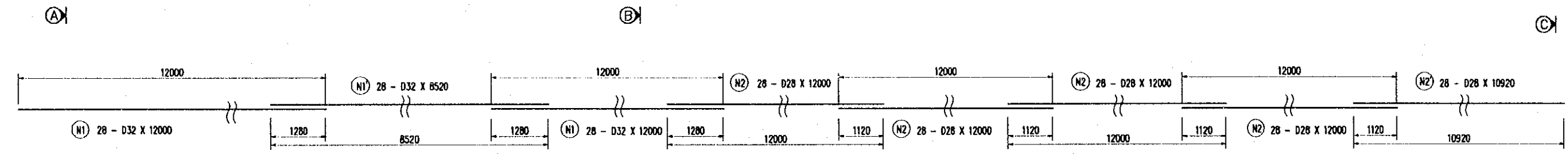
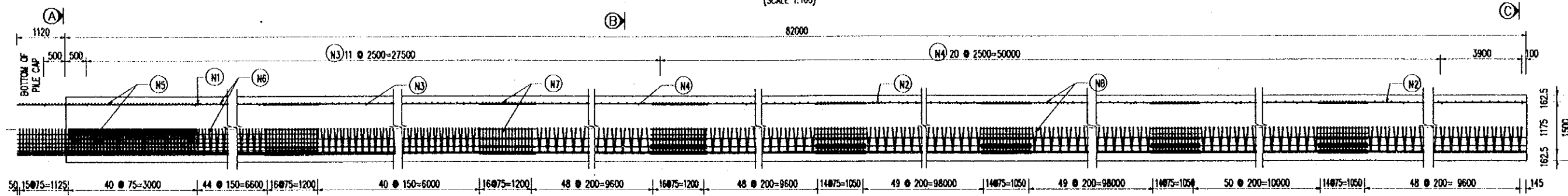


NOTE:
ALL DIMENSIONS ARE IN MILLIMETERS, UNLESS OTHERWISE INDICATED.

PROJECT NAME	IMPLEMENTATION AGENCY	EXECUTING AGENCY	JICA STUDY TEAM	PREPARED BY	CHECKED BY	APPROVED BY	DRAWING TITLE	DWG NO.
DETAILED DESIGN OF THE CAN THO BRIDGE CONSTRUCTION PROJECT	JAPAN INTERNATIONAL COOPERATION AGENCY (JICA)	SOCIALIST REPUBLIC OF VIET NAM MINISTRY OF TRANSPORT (MOT) MY THUAN PROJECT MANAGEMENT UNIT	NIPPON KOEI CO.,LTD.	NAME: S. Kiguchi SIGNATURE: <i>S. Kiguchi</i> DATE: 20/9/2000	NAME: K. Matsumoto SIGNATURE: <i>K. Matsumoto</i> DATE: 29/9/2000	NAME: K. Enomoto SIGNATURE: <i>K. Enomoto</i> DATE: 5/10/2000	CABLE STAYED BRIDGE SUBSTRUCTURE DETAILED REINFORCEMENT BAR OF PIER No.13	P2-CS-4340

BORED CAST IN-SITU PILE DETAILS

(SCALE 1:100)



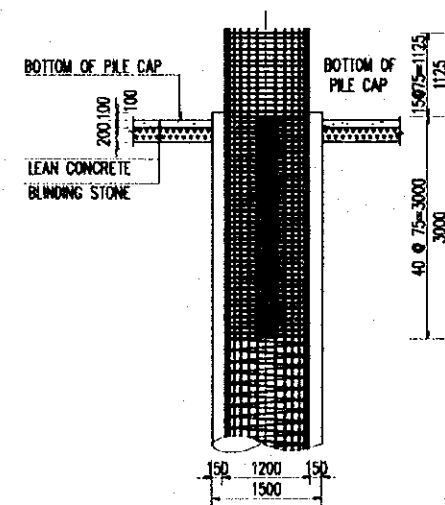
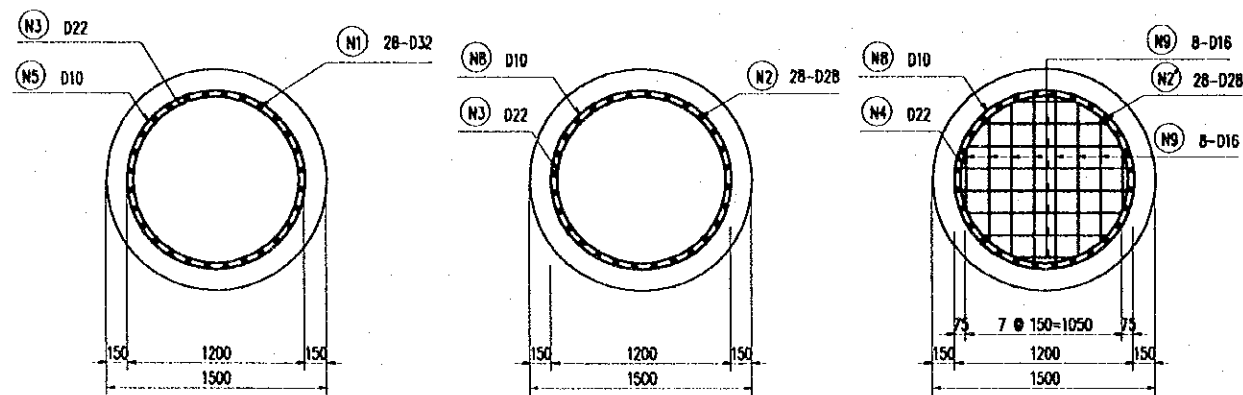
SECTION A-A
(SCALE 1:50)

SECTION B-B
(SCALE 1:50)

SECTION C-C
(SCALE 1:50)

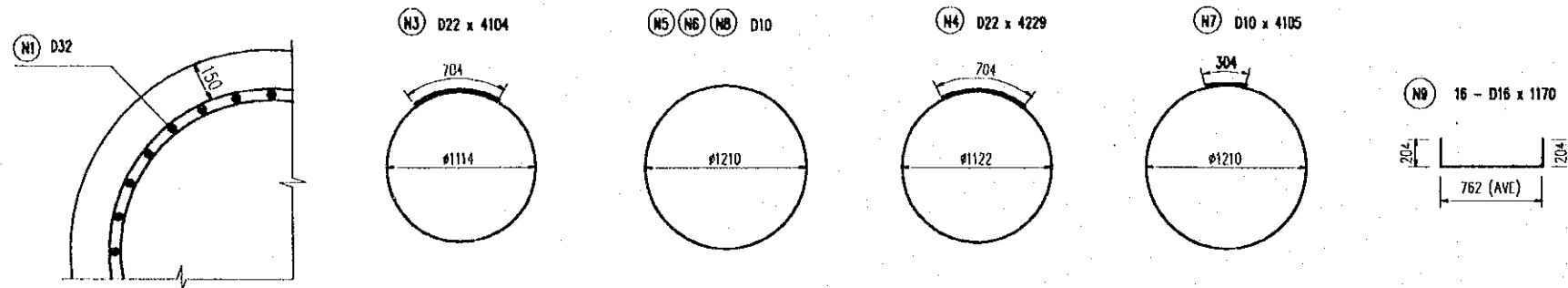
DETAIL OF CONCRETE PILE HEAD
(SCALE 1:100)

MATERIAL OF PILE



TYPE	D (mm)	LENGTH OF BAR (mm)	U.WEIGHT (kg/m)	NUMBER	WEIGHT (kg)	CONCRETE VOLUME (m ³)	
N1	D32	12000	6.313	56	4242.3	144.9	
N1'	D32	8520	6.313	28	1506		
N2	D28	12000	4.834	112	6496.9		
N2'	D28	10920	4.834	28	1478		
N3	D22	4104	2.984	13	159.2		
N4	D22	4229	2.984	21	285		
N5	D10	155841	0.617	1	96.2		
N6	D10	323065	0.617	1	199.3		
N7	D10	4105	0.617	120	303.9		
N8	D10	1113693	0.617	1	687.1		
N9	D16	1170	1.578	16	29.5		
					D10		1286.5 KG
					D16		29.5 KG
					D22		424.2 KG
					D28	7974.9 KG	
					D32	5748.3 KG	
					TOTAL	15463.4 KG	

DETAIL OF COVERING
(SCALE 1:25)

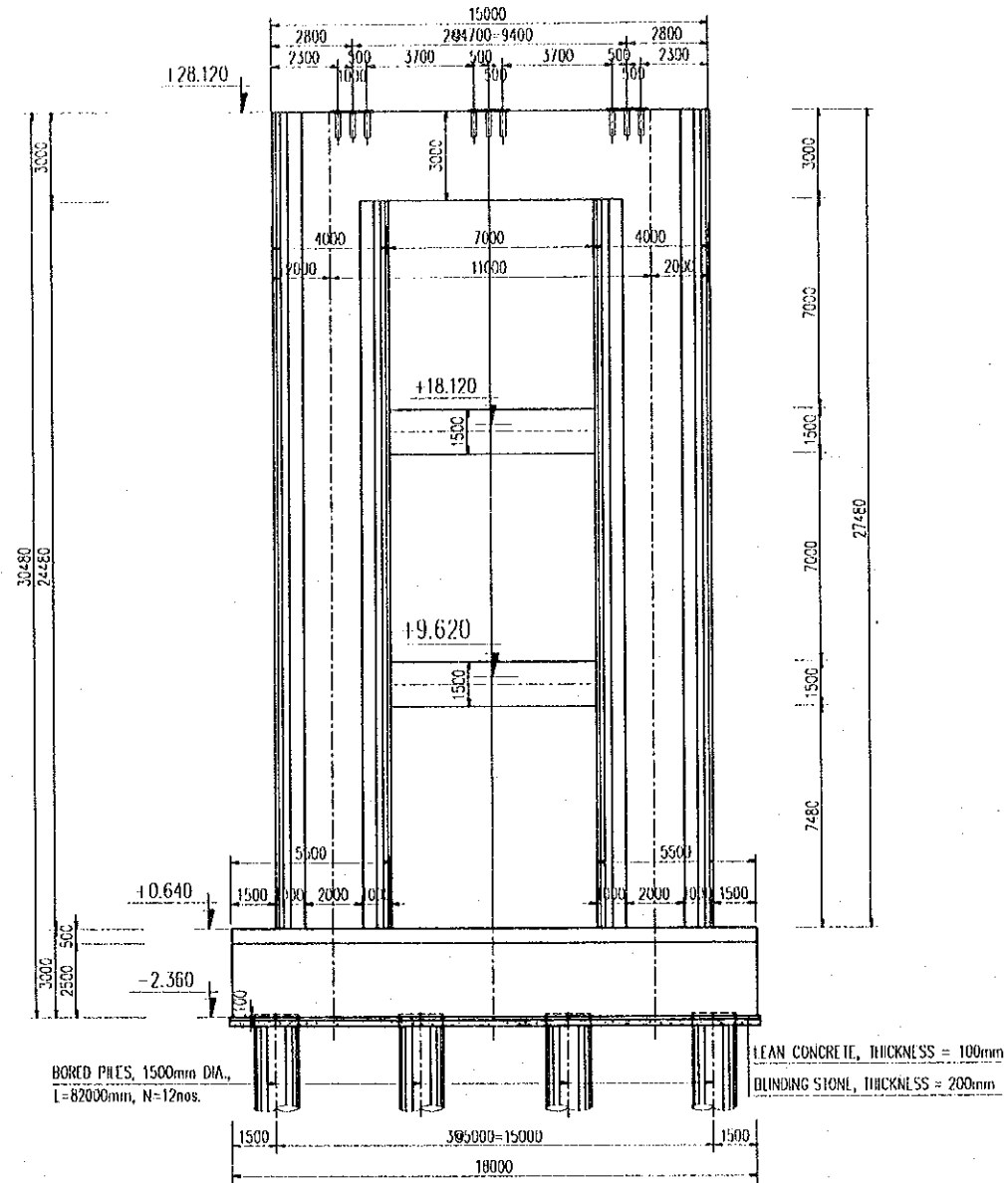


NOTES

FOR STANDARD STRUCTURAL NOTES SEE DRAWING NO ...

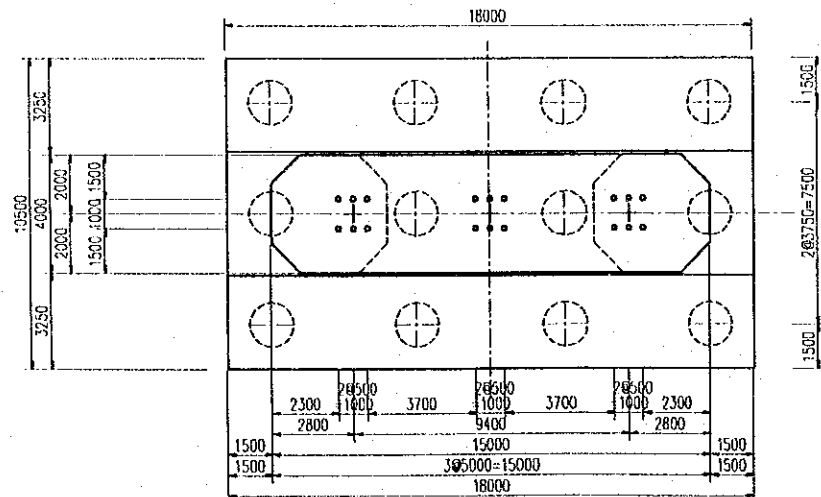
PROJECT NAME DETAILED DESIGN OF THE CAN THO BRIDGE CONSTRUCTION PROJECT	IMPLEMENTATION AGENCY JICA JAPAN INTERNATIONAL COOPERATION AGENCY (JICA)	EXECUTING AGENCY SOCIALIST REPUBLIC OF VIET NAM MINISTRY OF TRANSPORT (MOT) MY THUAN PROJECT MANAGEMENT UNIT	JICA STUDY TEAM NIPPON KOEI CO., LTD.	PREPARED BY NAME: S. Kiguchi SIGNATURE: <i>S. Kiguchi</i> DATE: 20/9/2000	CHECKED BY K. Matsumoto SIGNATURE: <i>K. Matsumoto</i> DATE: 29/9/2000	APPROVED BY K. Enomoto SIGNATURE: <i>K. Enomoto</i> DATE: 5/10/2000	DRAWING TITLE CABLE STAYED BRIDGE SUBSTRUCTURE PIER No. 13 BORED CAST-IN-SITU PILE-Ø1500mm - L-82m	DWG NO. P2-CS-4350
---	---	--	---	---	--	---	--	------------------------------

ELEVATION (SCALE 1: 250)

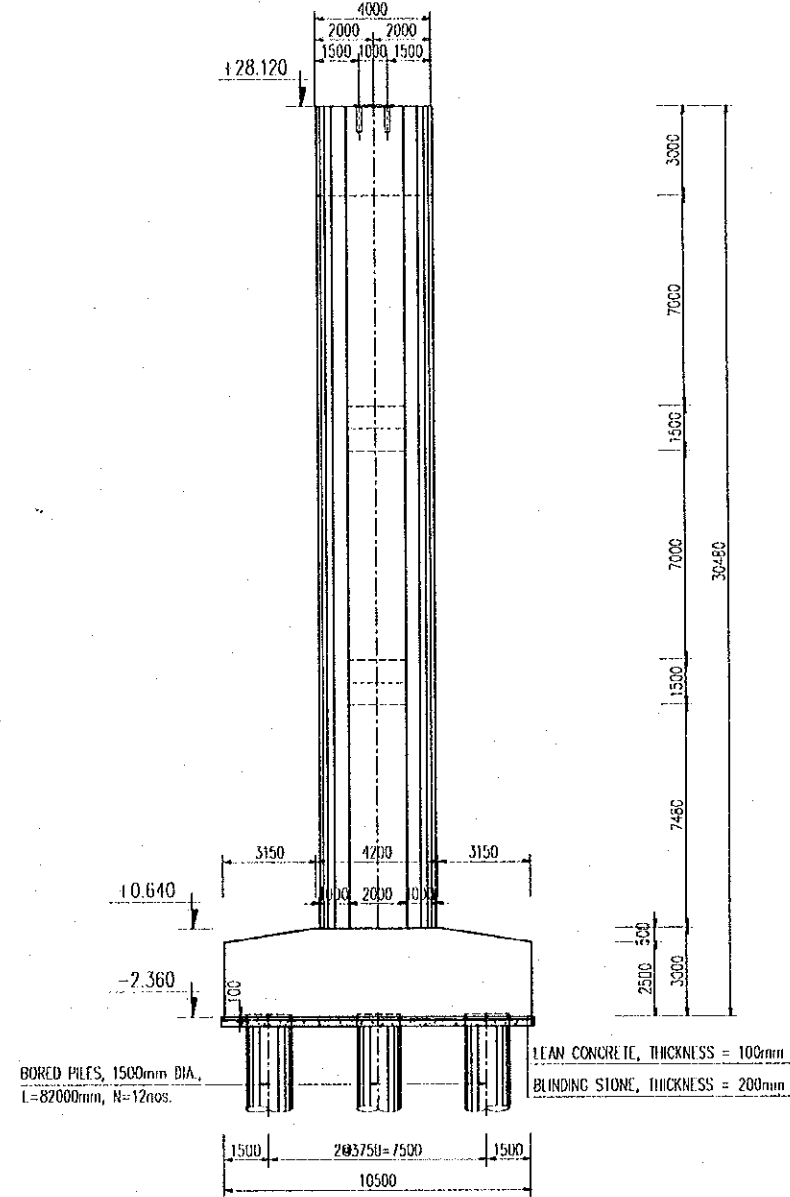


PLAN

(SCALE 1: 250)

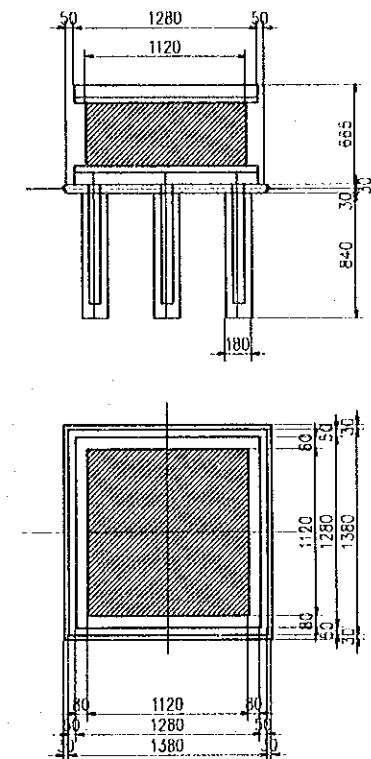


SIDE ELEVATION (SCALE 1: 250)



DETAIL OF BRIDGE SEAT

(SCALE 1: 50)



NOTE:

ALL DIMENSIONS ARE IN MILLIMETERS, UNLESS OTHERWISE INDICATED.

PROJECT NAME	IMPLEMENTATION AGENCY	EXECUTING AGENCY	JICA STUDY TEAM	PREPARED BY	CHECKED BY	APPROVED BY	DRAWING TITLE	DWG NO.
DETAILED DESIGN OF THE CAN THO BRIDGE CONSTRUCTION PROJECT	JICA JAPAN INTERNATIONAL COOPERATION AGENCY (JICA)	SOCIALIST REPUBLIC OF VIET NAM MINISTRY OF TRANSPORT (MOT) MY THUAN PROJECT MANAGEMENT UNIT	NIPPON KOEI CO.,LTD.	S. Kiguchi	K. Matsumoto	K. Enomoto	CABLE STAYED BRIDGE SUBSTRUCTURE GENERAL VIEW OF PIER No.14	P2-CS-4360
				S. Kiguchi	K. Matsumoto	K. Enomoto		
				20/9/2000	29/9/2000	5/10/2000		

HALF SECTION 1-1

SCALE 1:150

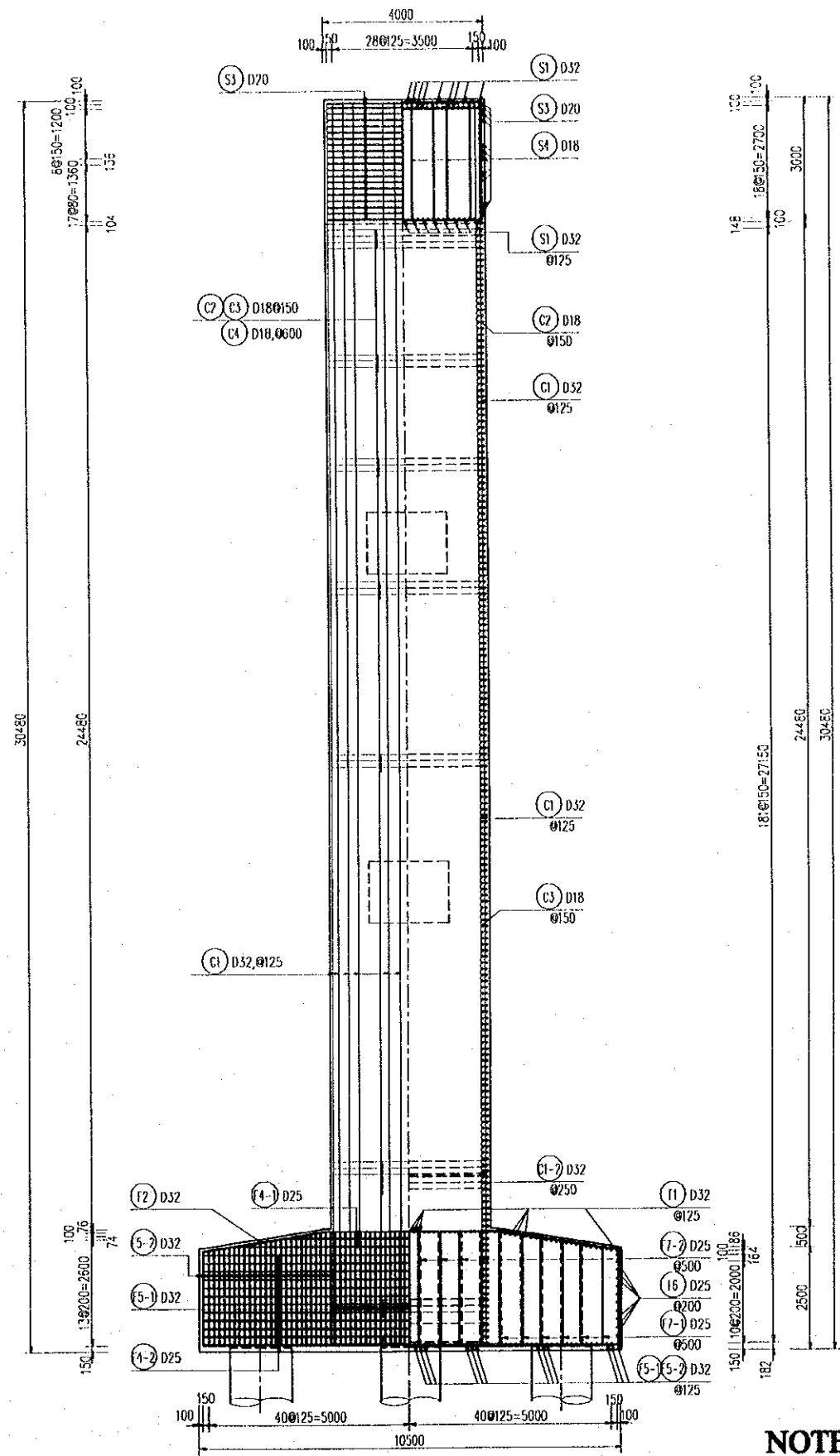
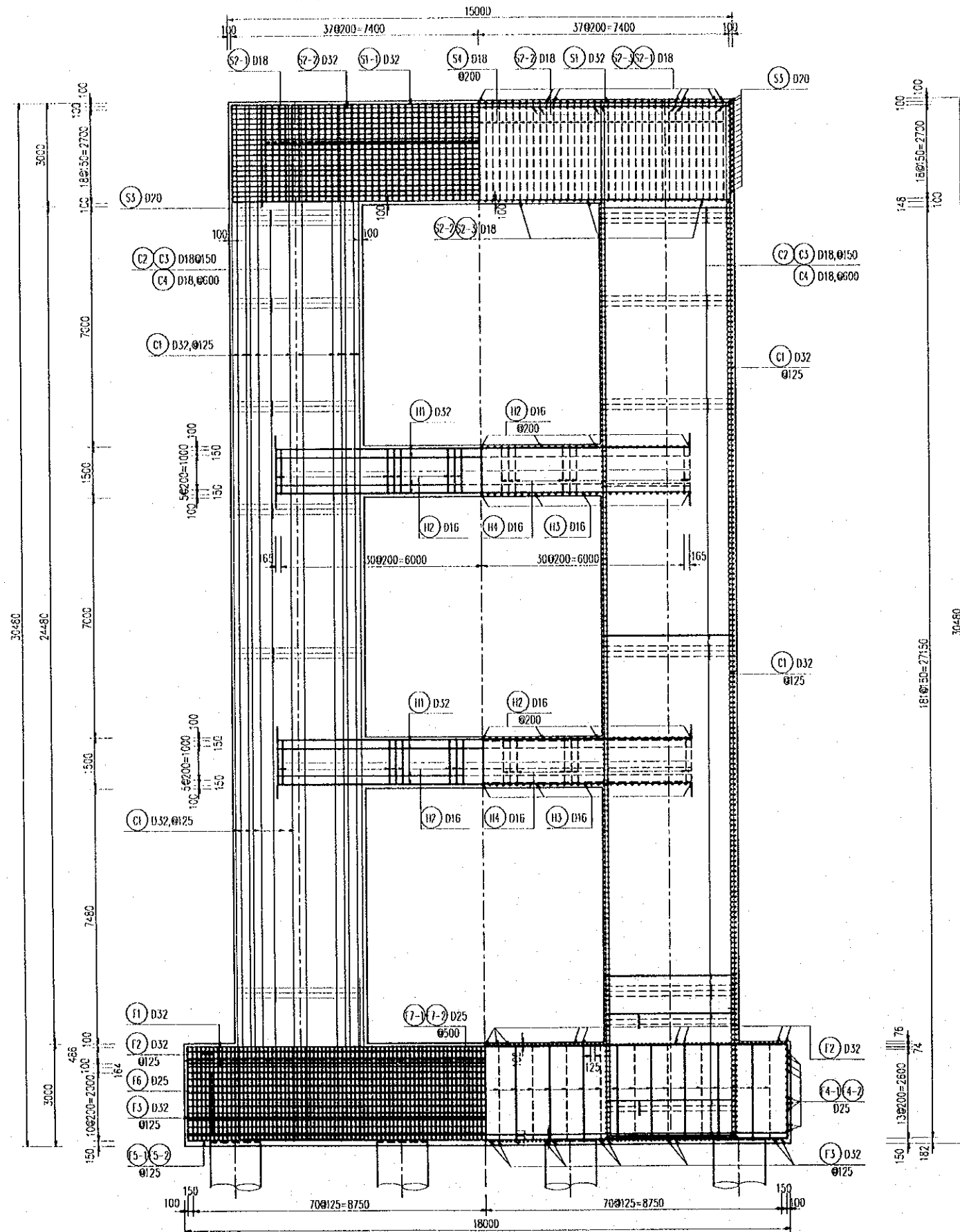
HALF SECTION 2-2

SCALE 1:150

HALF SECTION 3-3 HALF SECTION 4-4

SCALE 1:150

SCALE 1:150

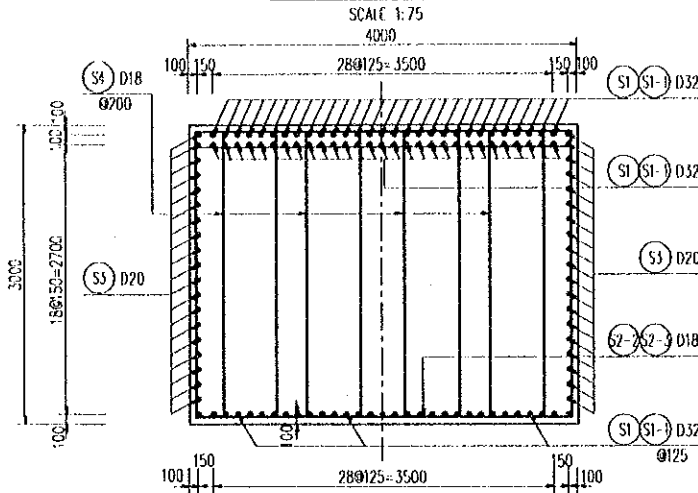


NOTE:

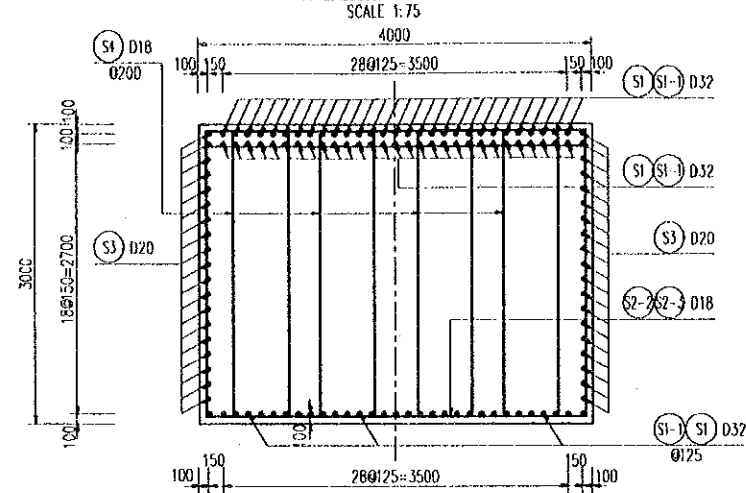
ALL DIMENSIONS ARE IN MILLIMETERS, UNLESS OTHERWISE INDICATED.

PROJECT NAME DETAILED DESIGN OF THE CAN THO BRIDGE CONSTRUCTION PROJECT	IMPLEMENTATION AGENCY JICA JAPAN INTERNATIONAL COOPERATION AGENCY (JICA)	EXECUTING AGENCY SOCIALIST REPUBLIC OF VIET NAM MINISTRY OF TRANSPORT (MOT) MY THUAN PROJECT MANAGEMENT UNIT	JICA STUDY TEAM NIPPON KOEI CO.,LTD.	PREPARED BY	CHECKED BY	APPROVED BY	DRAWING TITLE CABLE STAYED BRIDGE SUBSTRUCTURE REINFORCEMENT ARRANGEMENT OF PIER No.14 (SHEET 1/2)	DWG NO. P2-CS-4370	
				NAME	S. Kiguchi	K. Matsumoto			K. Enomoto
				SIGNATURE	<i>S. Kiguchi</i>	<i>K. Matsumoto</i>			<i>K. Enomoto</i>
DATE	20/9/2000	29/9/2000	5/10/2000						

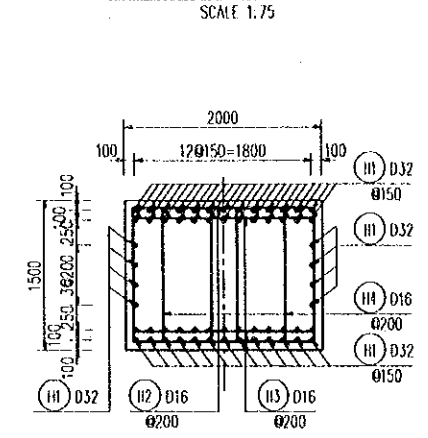
SECTION 5 - 5



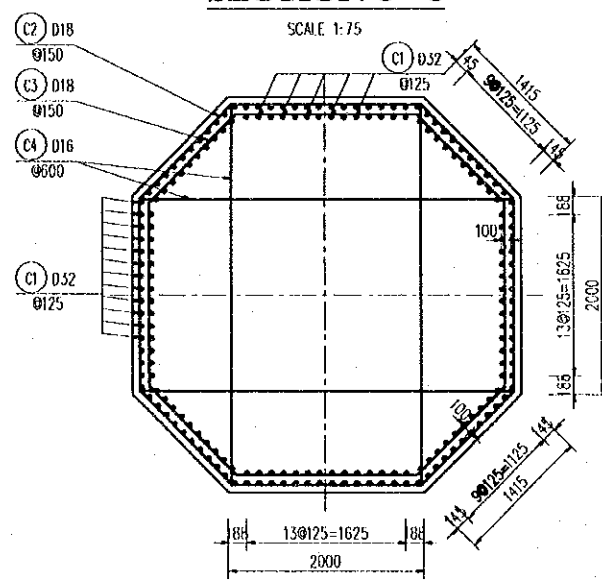
SECTION 6 - 6



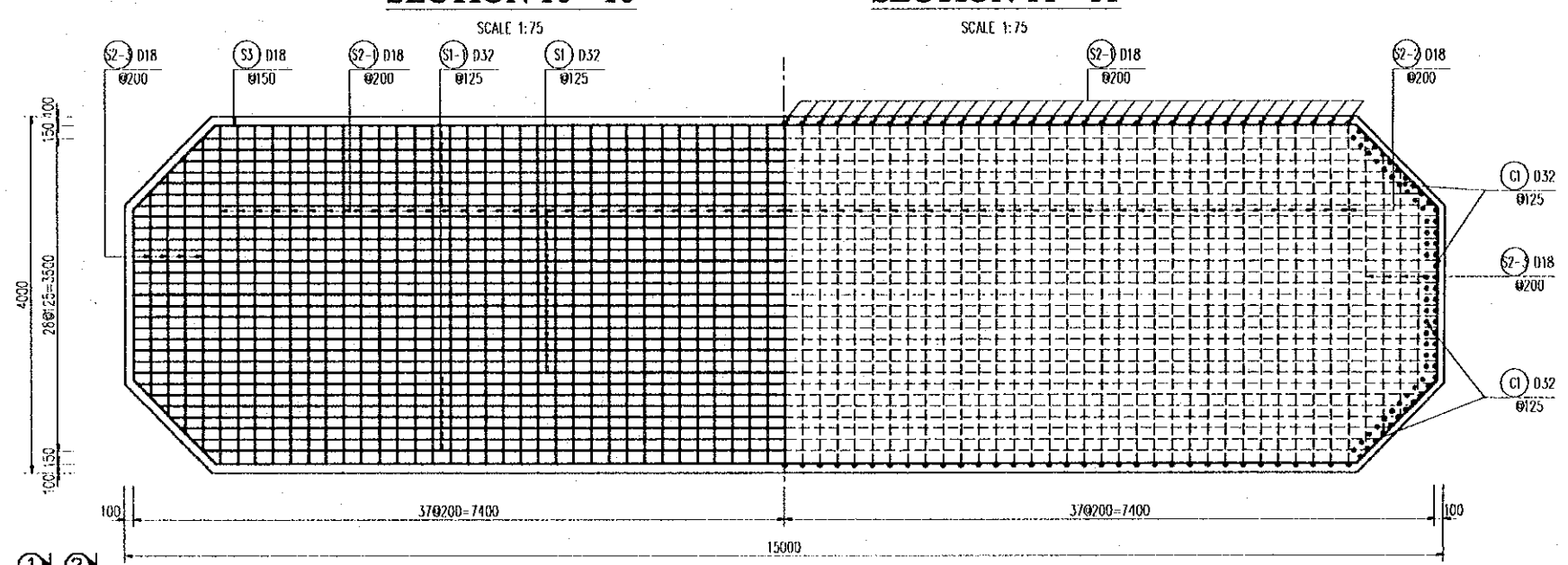
SECTION 7 - 7



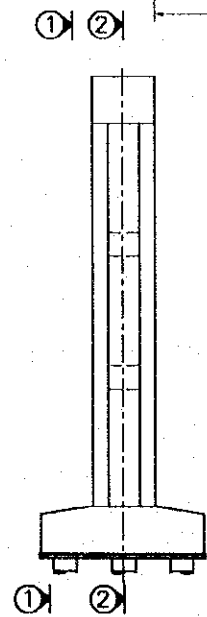
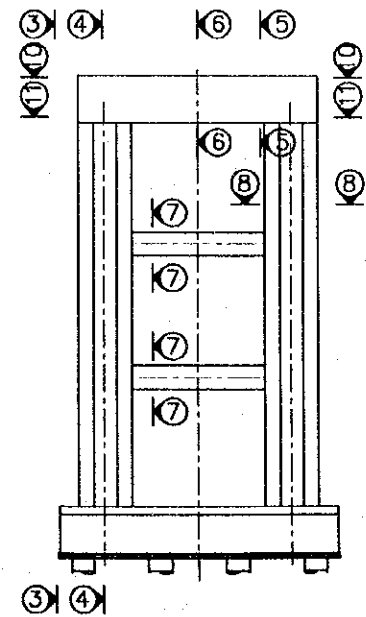
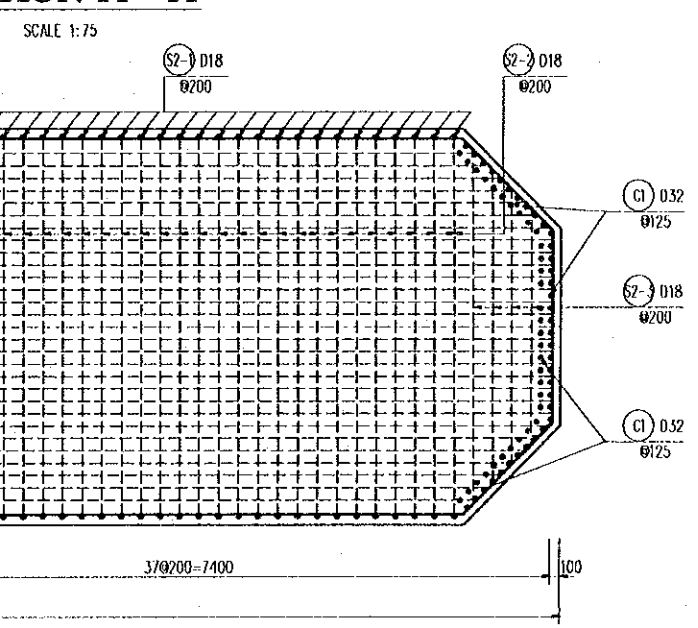
SECTION 8 - 8



SECTION 10 - 10



SECTION 11 - 11

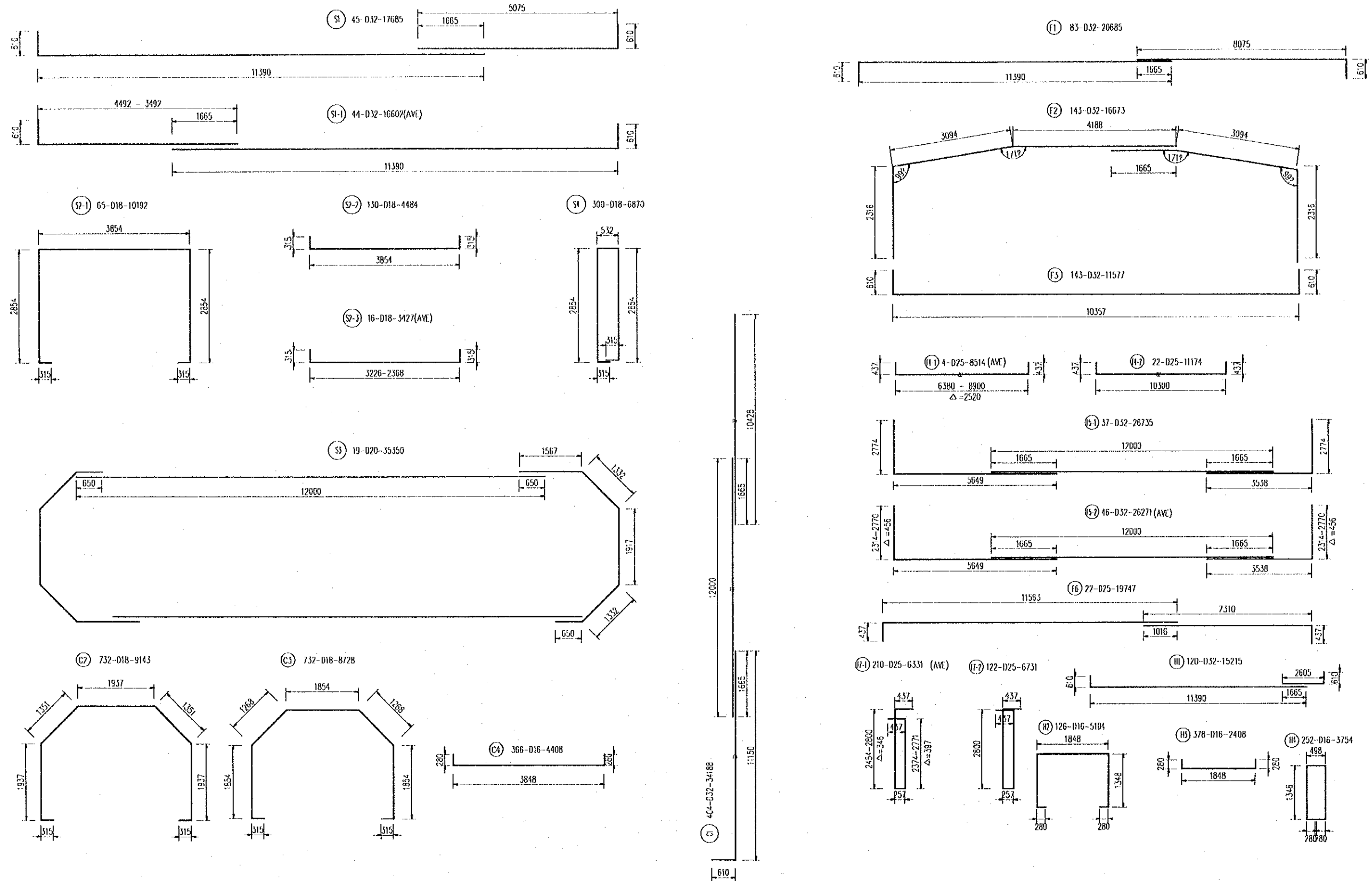


NOTE:

ALL DIMENSIONS ARE IN MILLIMETERS, UNLESS OTHERWISE INDICATED.

PROJECT NAME DETAILED DESIGN OF THE CAN THO BRIDGE CONSTRUCTION PROJECT	IMPLEMENTATION AGENCY JICA JAPAN INTERNATIONAL COOPERATION AGENCY (JICA)	EXECUTING AGENCY SOCIALIST REPUBLIC OF VIET NAM MINISTRY OF TRANSPORT (MOT) MY THUAN PROJECT MANAGEMENT UNIT	JICA STUDY TEAM NIPPON KOEI CO.,LTD.	PREPARED BY NAME: S. Kiguchi SIGNATURE: <i>S. Kiguchi</i> DATE: 20/9/2000	CHECKED BY K. Matsumoto SIGNATURE: <i>K. Matsumoto</i> DATE: 29/9/2000	APPROVED BY K. Enomoto SIGNATURE: <i>K. Enomoto</i> DATE: 5/10/2000	DRAWING TITLE CABLE STAYED BRIDGE SUBSTRUCTURE REINFORCEMENT ARRANGEMENT OF PIER No.14 (SHEET 2/2)	DWG NO. P2-CS-4380
---	---	--	--	---	--	---	--	------------------------------

BAR BENDING SCHEDULE OF PIER No.14

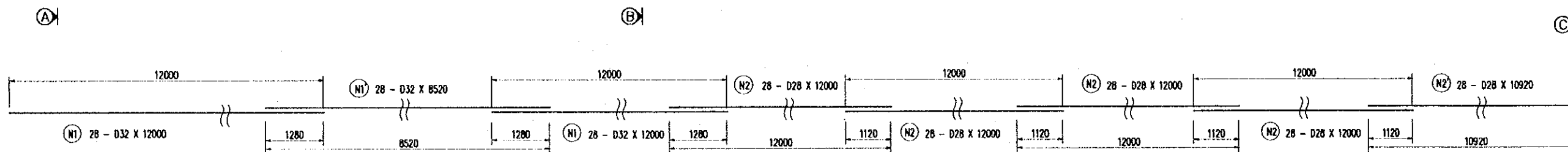
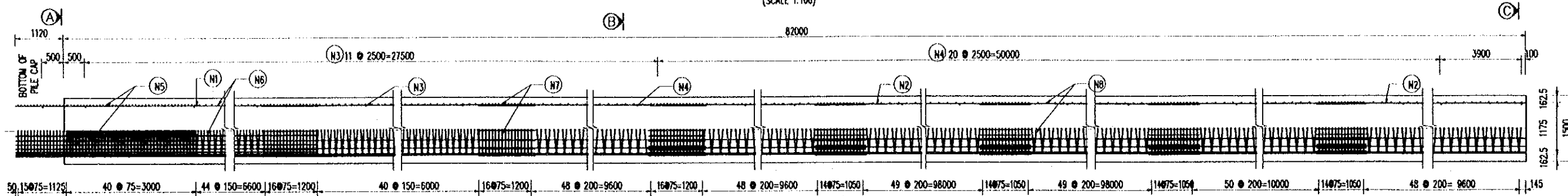


NOTE:
ALL DIMENSIONS ARE IN MILLIMETERS, UNLESS OTHERWISE INDICATED.

PROJECT NAME	IMPLEMENTATION AGENCY	EXECUTING AGENCY	JICA STUDY TEAM	PREPARED BY	CHECKED BY	APPROVED BY	DRAWING TITLE	DWG NO.
DETAILED DESIGN OF THE CAN THO BRIDGE CONSTRUCTION PROJECT	JAPAN INTERNATIONAL COOPERATION AGENCY (JICA)	SOCIALIST REPUBLIC OF VIET NAM MINISTRY OF TRANSPORT (MOT) MY THUAN PROJECT MANAGEMENT UNIT	NIPPON KOEI CO.,LTD.	S. Kiguchi 20/9/2000	K. Matsumoto 29/9/2000	K. Enomoto 5/10/2000	CABLE STAYED BRIDGE SUBSTRUCTURE DETAILED REINFORCEMENT BAR OF PIER No.14	P2-CS-4390

BORED CAST IN-SITU PILE DETAILS

(SCALE 1:100)



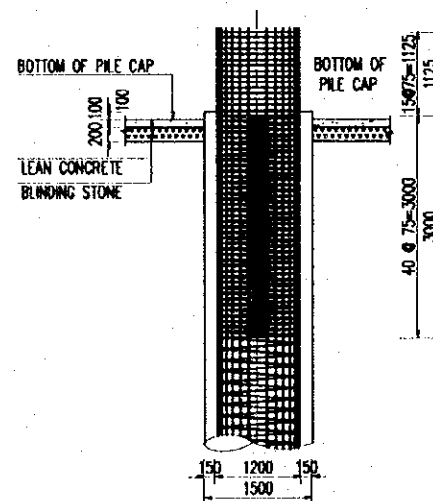
SECTION A-A
(SCALE 1:50)

SECTION B-B
(SCALE 1:50)

SECTION C-C
(SCALE 1:50)

DETAIL OF CONCRETE PILE HEAD

(SCALE 1:100)

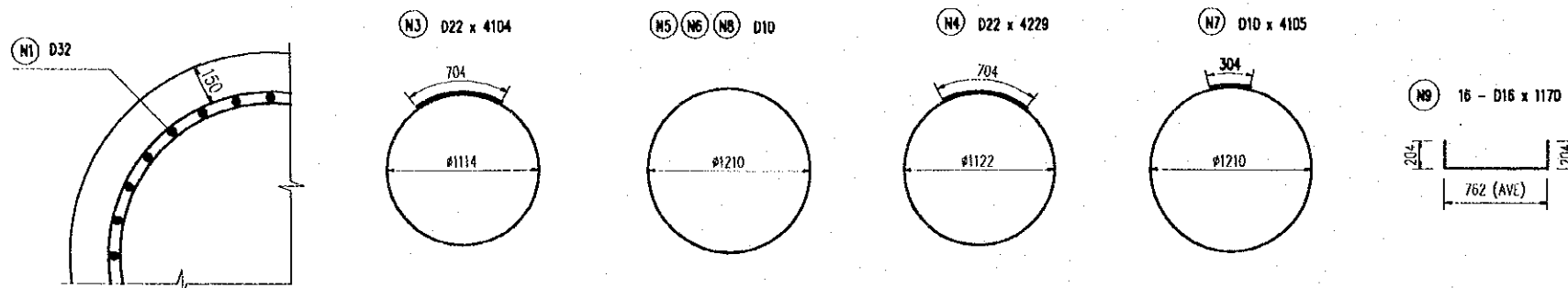


MATERIAL OF PILE

TYPE	D (mm)	LENGTH OF BAR (mm)	U.WEIGHT (kg/m)	NUMBER	WEIGHT (kg)	CONCRETE VOLUME (m ³)
N1	D32	12000	6.313	56	4242.3	144.9
N1'	D32	8520	6.313	28	1506	
N2	D28	12000	4.834	112	6496.9	
N2'	D28	10920	4.834	28	1478	
N3	D22	4104	2.984	13	159.2	
N4	D22	4229	2.984	21	265	
N5	D10	155841	0.617	1	96.2	
N6	D10	323085	0.617	1	199.3	
N7	D10	4105	0.617	120	303.9	
N8	D10	1113693	0.617	1	687.1	
N9	D16	1170	1.578	16	29.5	
D10			1286.5	KC		
D16			29.5	KC		
D22			424.2	KC		
D28			7974.9	KC		
D32			5748.3	KC		
TOTAL			15463.4	KC		

DETAIL OF COVERING

(SCALE 1:25)



NOTES

FOR STANDARD STRUCTURAL NOTES SEE DRAWING NO ...

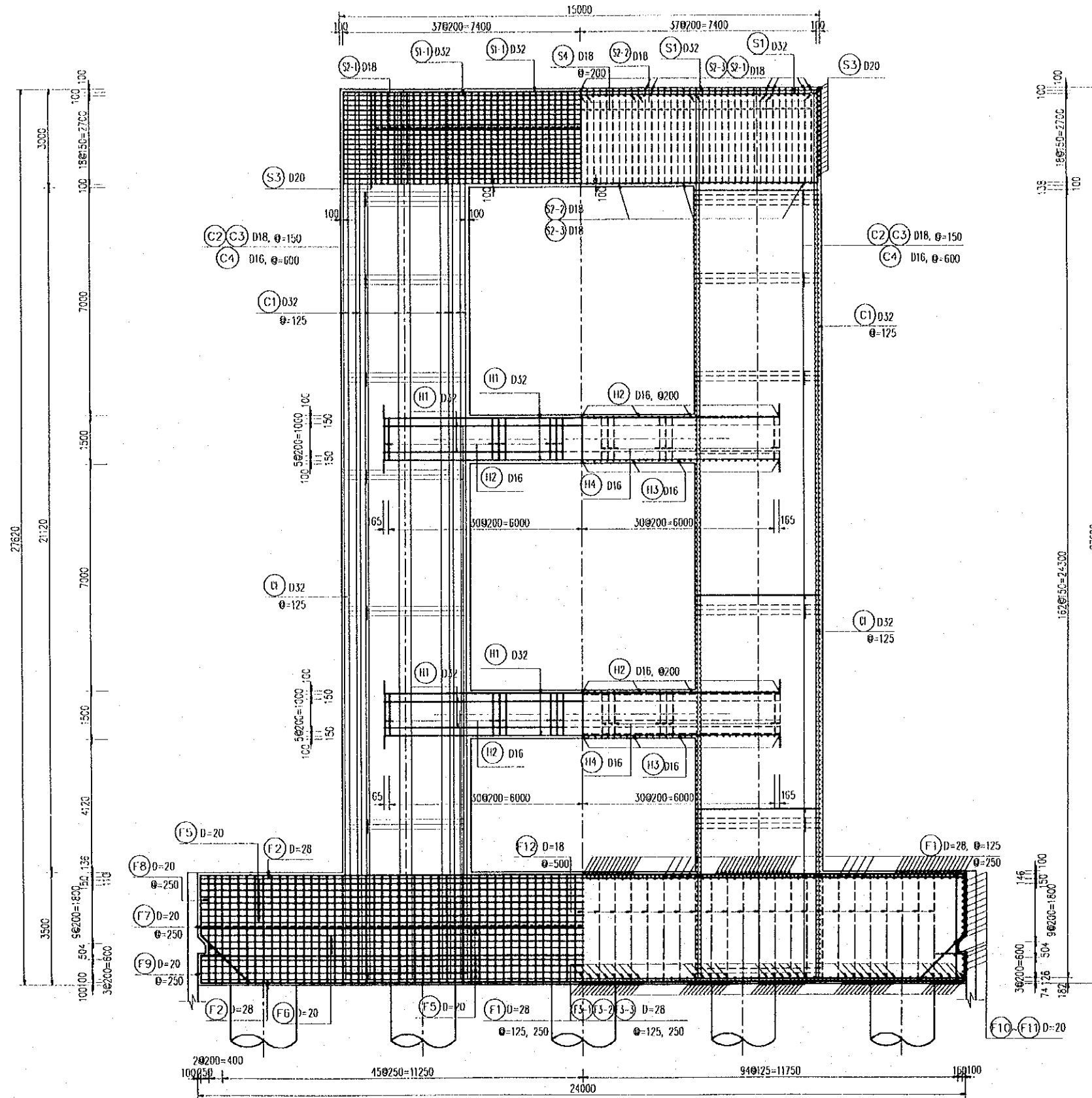
PROJECT NAME	IMPLEMENTATION AGENCY	EXECUTING AGENCY	JICA STUDY TEAM	PREPARED BY	CHECKED BY	APPROVED BY	DRAWING TITLE	DWG NO.
DETAILED DESIGN OF THE CAN THO BRIDGE CONSTRUCTION PROJECT	JICA JAPAN INTERNATIONAL COOPERATION AGENCY (JICA)	SOCIALIST REPUBLIC OF VIET NAM MINISTRY OF TRANSPORT (MOT) MY THUAN PROJECT MANAGEMENT UNIT	NIPPON KOEI CO.,LTD.	S. Kiguchi	K. Matsumoto	K. Enomoto	CABLE STAYED BRIDGE SUBSTRUCTURE PIER No.14 BORED CAST-IN-SITU PILE-Ø1500mm - L-82m	P2/CS/4400

HALF SECTION 1-1

HALF SECTION 2-2

SCALE 1:150

SCALE 1:150



NOTE:

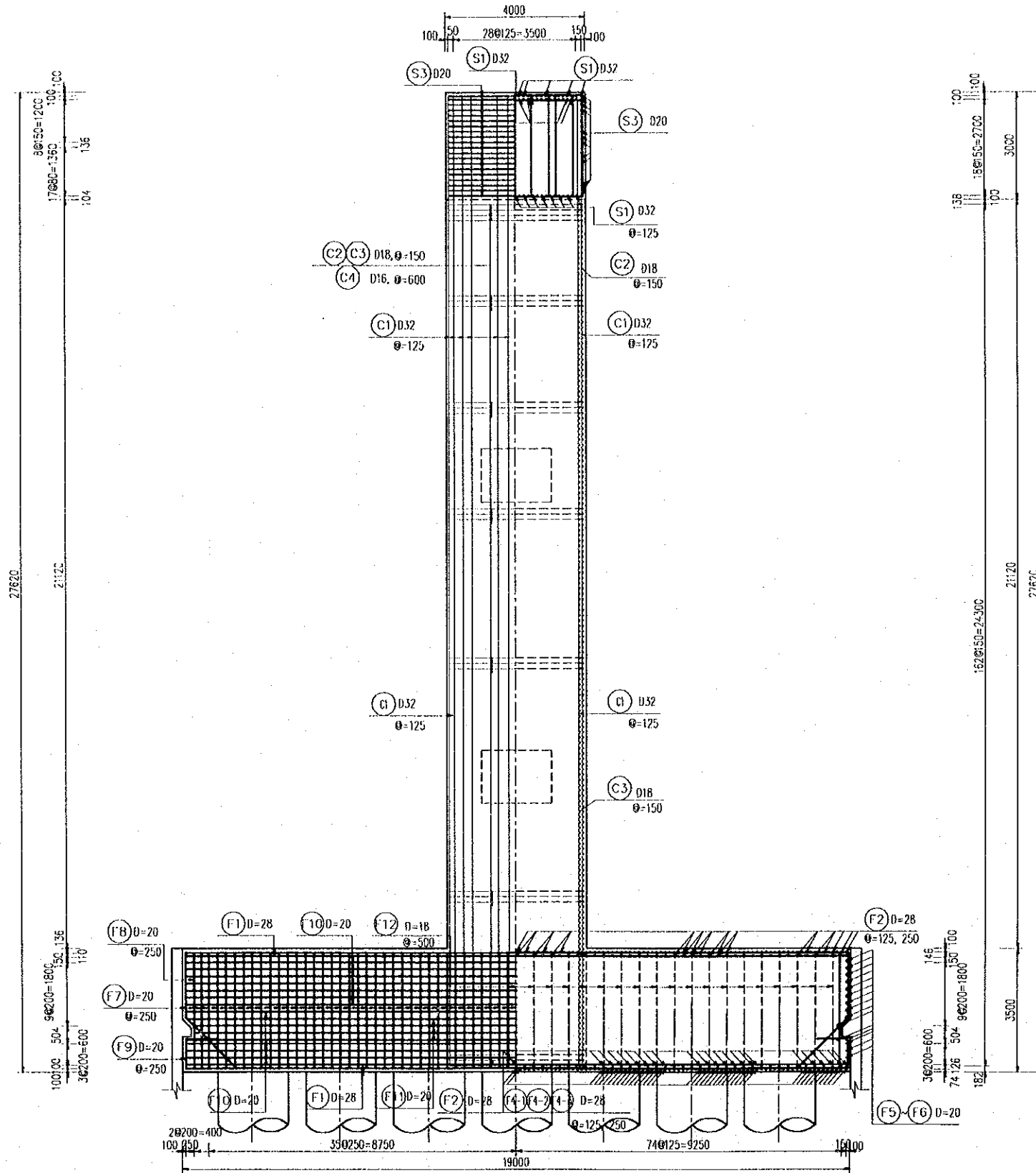
ALL DIMENSIONS ARE IN MILLIMETERS, UNLESS OTHERWISE INDICATED.

PROJECT NAME	IMPLEMENTATION AGENCY	EXECUTING AGENCY	JICA STUDY TEAM	PREPARED BY	CHECKED BY	APPROVED BY	DRAWING TITLE	DWG NO.
DETAILED DESIGN OF THE CAN THO BRIDGE CONSTRUCTION PROJECT	JAPAN INTERNATIONAL COOPERATION AGENCY (JICA)	SOCIALIST REPUBLIC OF VIET NAM MINISTRY OF TRANSPORT (MOT) MY THUAN PROJECT MANAGEMENT UNIT	NIPPON KOEI CO., LTD.	S. Kiguchi	K. Matsumoto	K. Enomoto	CABLE STAYED BRIDGE SUBSTRUCTURE REINFORCEMENT ARRANGEMENT OF PIER No.15 (SHEET 1/3)	P2-CS-4420
				NAME				
				SIGNATURE				
				DATE	20/9/2000	29/9/2000	5/10/2000	

HALF SECTION 3-3 HALF SECTION 4-4

SCALE 1:150

SCALE 1:150



NOTE:

ALL DIMENSIONS ARE IN MILLIMETERS, UNLESS OTHERWISE INDICATED.

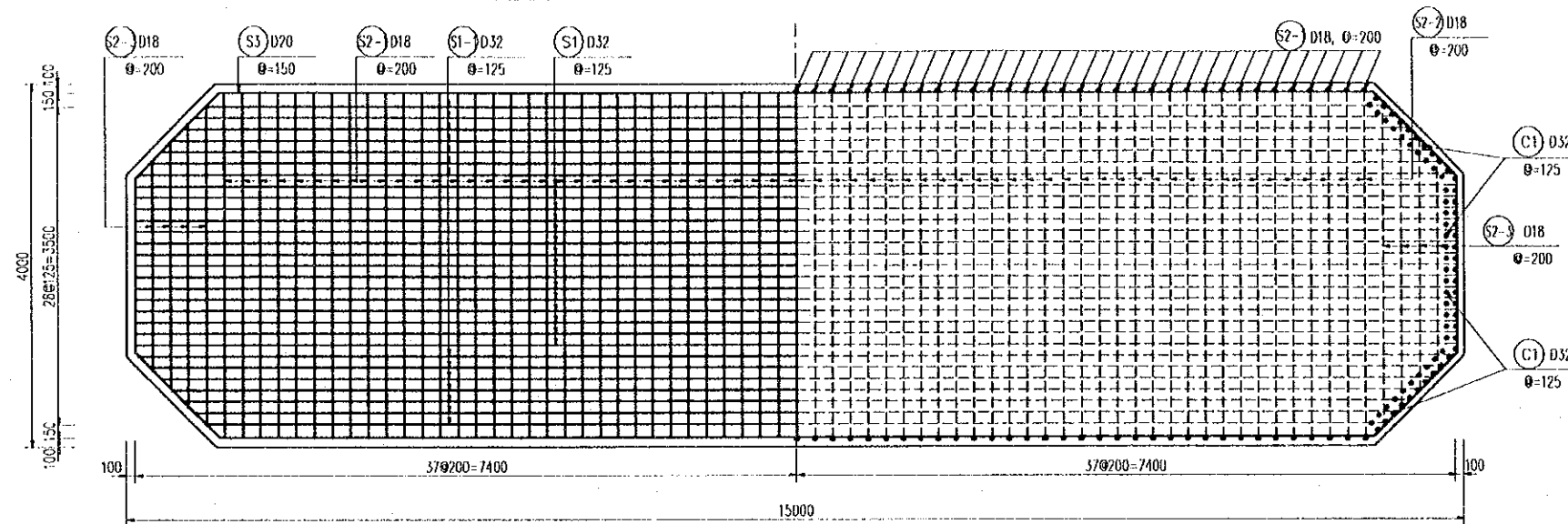
PROJECT NAME	IMPLEMENTATION AGENCY	EXECUTING AGENCY	JICA STUDY TEAM	PREPARED BY	CHECKED BY	APPROVED BY	DRAWING TITLE	DWG NO.
DETAILED DESIGN OF THE CAN THO BRIDGE CONSTRUCTION PROJECT	JICA JAPAN INTERNATIONAL COOPERATION AGENCY (JICA)	SOCIALIST REPUBLIC OF VIET NAM MINISTRY OF TRANSPORT (MOT) MY THUAN PROJECT MANAGEMENT UNIT	(NK) NIPPON KOEI CO.,LTD.	NAME S. Kiguchi SIGNATURE <i>S. Kiguchi</i> DATE 20/9/2000	NAME K. Matsumoto SIGNATURE <i>K. Matsumoto</i> DATE 29/9/2000	NAME K. Enomoto SIGNATURE <i>K. Enomoto</i> DATE 5/10/2000	CABLE STAYED BRIDGE SUBSTRUCTURE REINFORCEMENT ARRANGEMENT OF PIER No.15 (SHEET 2/5)	P2-CS-4430

SECTION 5 - 5

SCALE 1:75

SECTION 6 - 6

SCALE 1:75

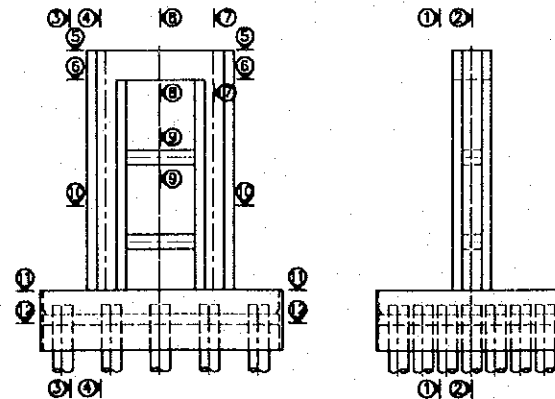
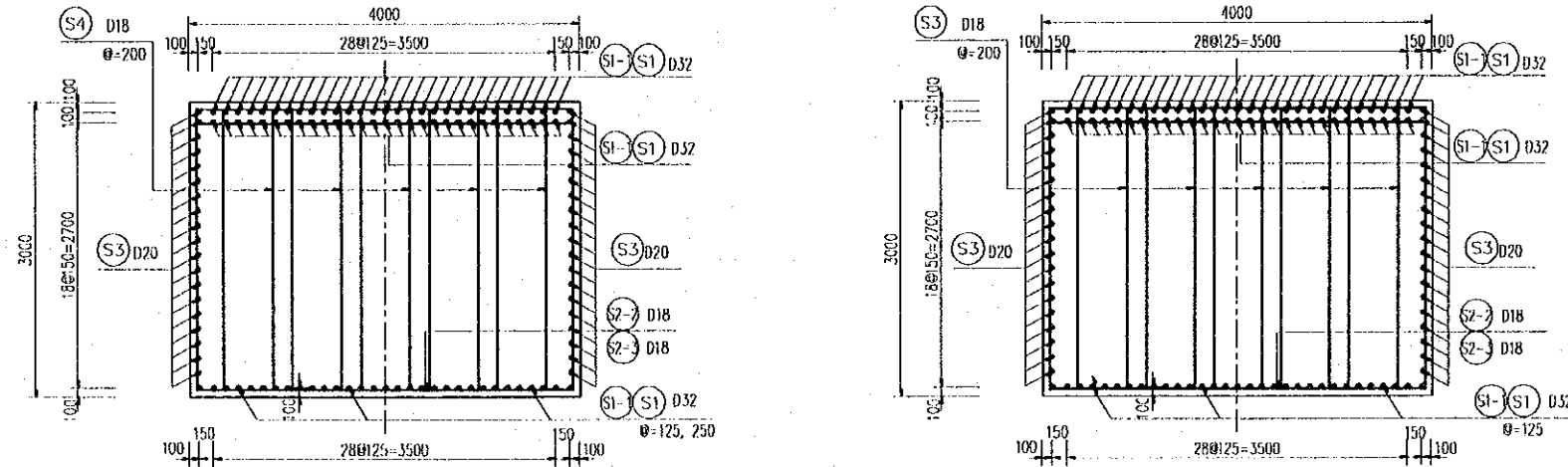


SECTION 7 - 7

SCALE 1:75

SECTION 8 - 8

SCALE 1:75

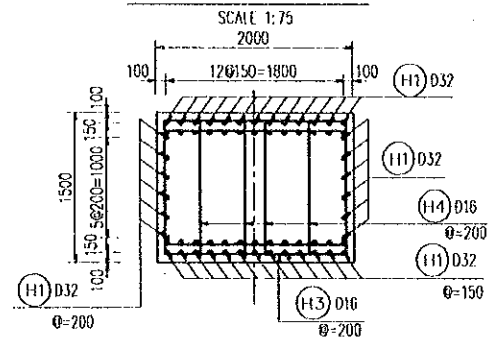


NOTE:

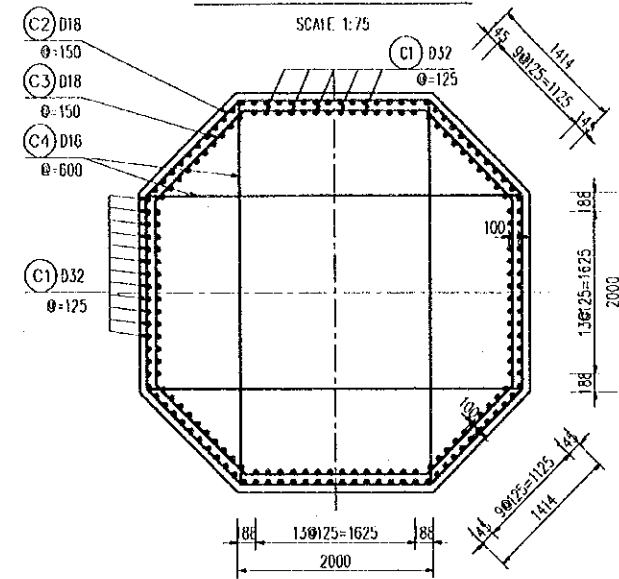
ALL DIMENSIONS ARE IN MILLIMETERS, UNLESS OTHERWISE INDICATED.

PROJECT NAME	IMPLEMENTATION AGENCY	EXECUTING AGENCY	JICA STUDY TEAM	PREPARED BY	CHECKED BY	APPROVED BY	DRAWING TITLE	DWG NO.
DETAILED DESIGN OF THE CAN THO BRIDGE CONSTRUCTION PROJECT	JICA JAPAN INTERNATIONAL COOPERATION AGENCY (JICA)	SOCIALIST REPUBLIC OF VIET NAM MINISTRY OF TRANSPORT (MOT) MY THUAN PROJECT MANAGEMENT UNIT	NIPPON KOEI CO.,LTD.	S. Kiguchi	K. Matsumoto	K. Enomoto	CABLE STAYED BRIDGE SUBSTRUCTURE REINFORCEMENT ARRANGEMENT OF PIER No.15 (SHEET 3/5)	P2-CS-4440
				NAME				
				SIGNATURE				
				DATE	20/9/2000	29/9/2000	5/10/2000	

SECTION 9 - 9



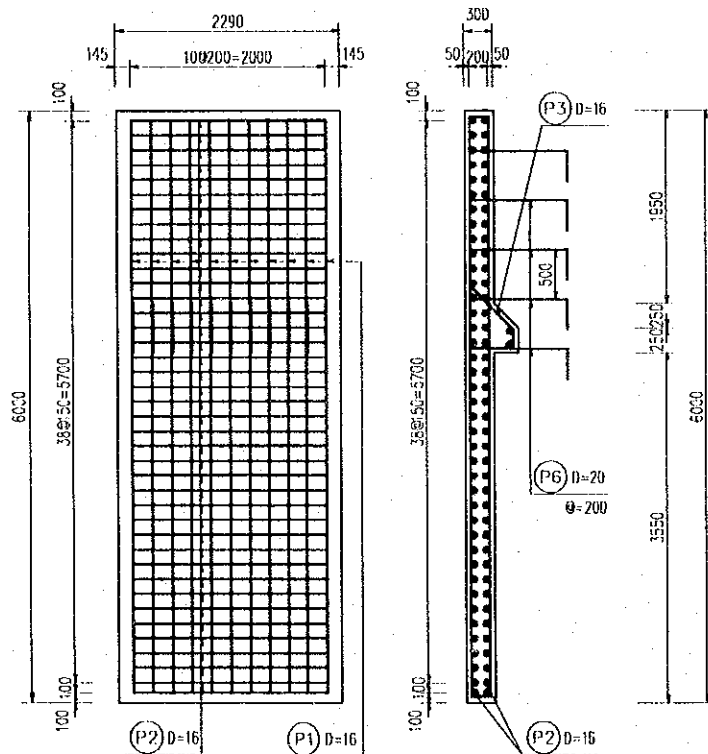
SECTION 10 - 10



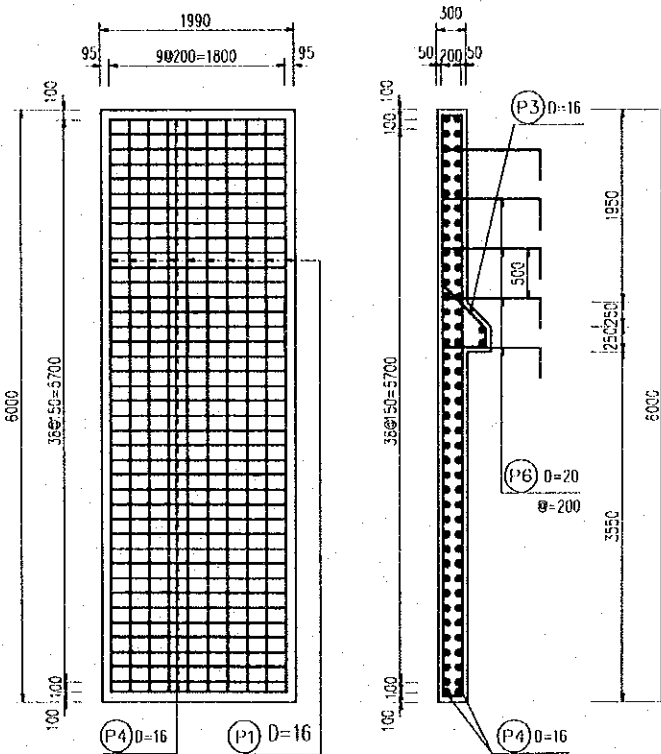
PRECAST SKIRTING UNITS

SCALE : 1:75

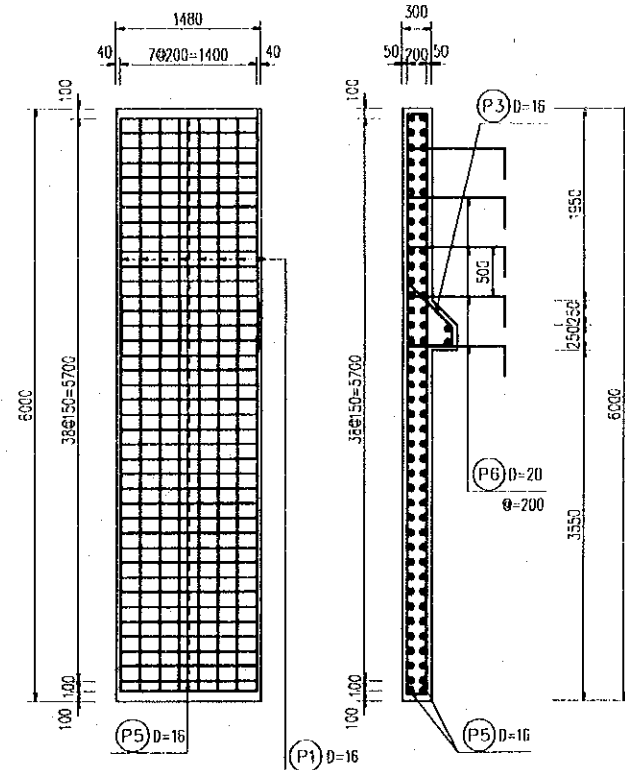
TYPE "1"



TYPE "2"



TYPE "3"



NOTE:

ALL DIMENSIONS ARE IN MILLIMETERS, UNLESS OTHERWISE INDICATED.

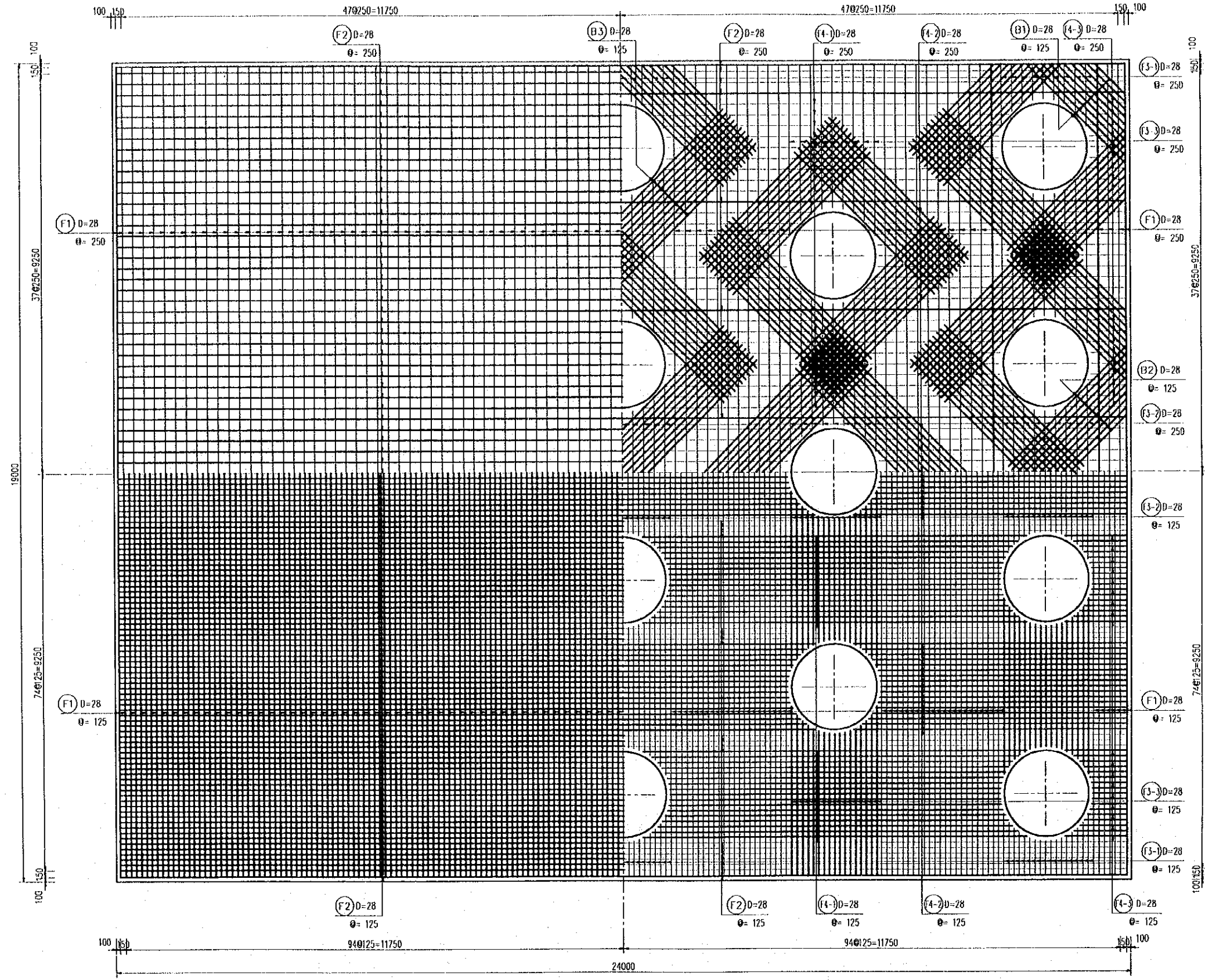
PROJECT NAME	IMPLEMENTATION AGENCY	EXECUTING AGENCY	JCA STUDY TEAM	PREPARED BY	CHECKED BY	APPROVED BY	DRAWING TITLE	DWG NO.
DETAILED DESIGN OF THE CAN THO BRIDGE CONSTRUCTION PROJECT	JICA JAPAN INTERNATIONAL COOPERATION AGENCY (JICA)	SOCIALIST REPUBLIC OF VIET NAM MINISTRY OF TRANSPORT (MOT) MY THUAN PROJECT MANAGEMENT UNIT	(NK) NIPPON KOEI CO.,LTD.	NAME: S. Kiguchi SIGNATURE: <i>S. Kiguchi</i> DATE: 20/9/2000	NAME: K. Matsumoto SIGNATURE: <i>K. Matsumoto</i> DATE: 29/9/2000	NAME: K. Enomoto SIGNATURE: <i>K. Enomoto</i> DATE: 5/10/2000	CABLE STAYED BRIDGE SUBSTRUCTURE REINFORCEMENT ARRANGEMENT OF PIER No.15 (SHEET 4/5)	P2-CS-4450

HALF SECTION 11 - 11

SCALE 1:100

HALF SECTION 12 - 12

SCALE 1:100

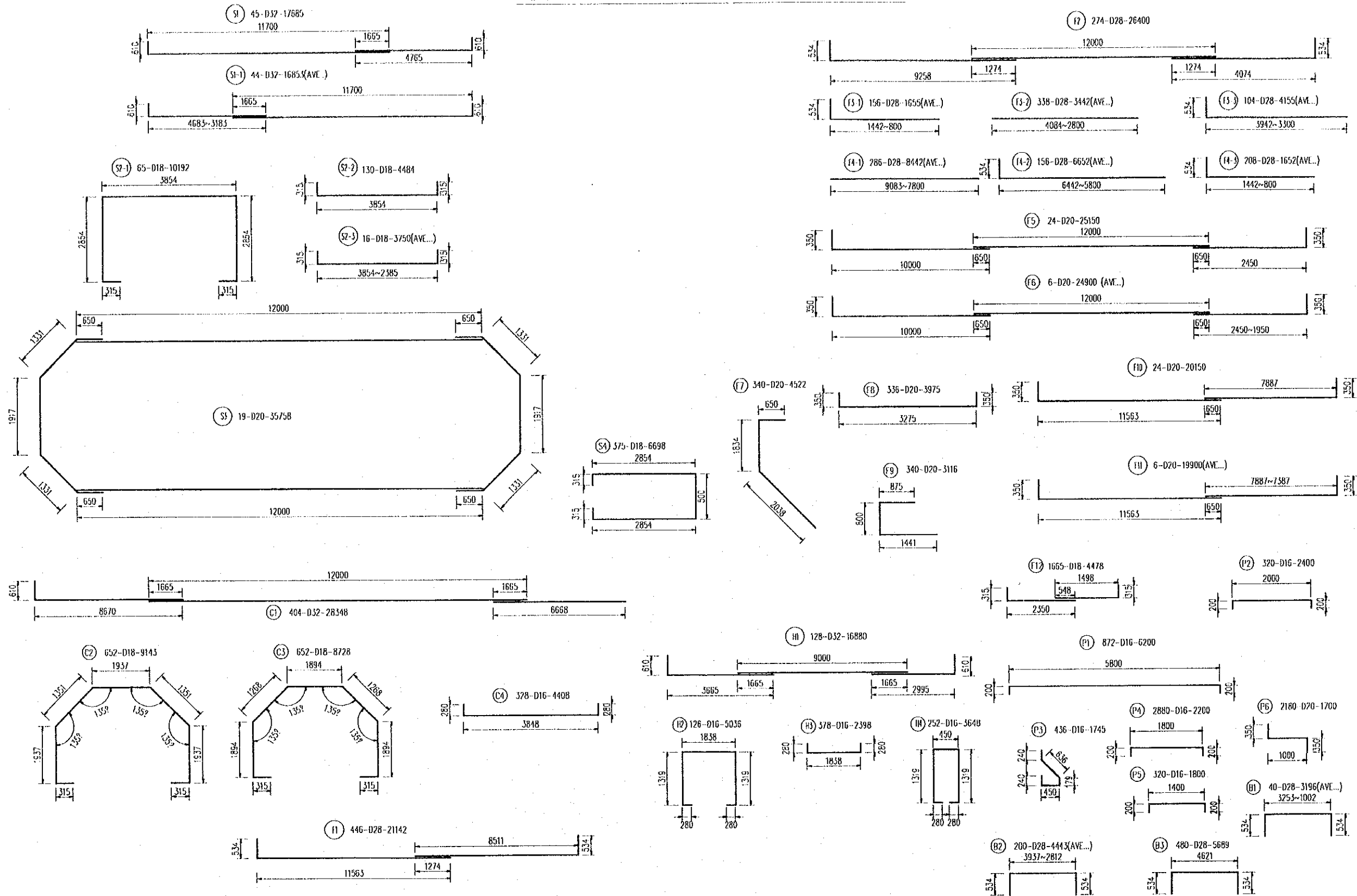


NOTE:

ALL DIMENSIONS ARE IN MILLIMETERS, UNLESS OTHERWISE INDICATED.

PROJECT NAME	IMPLEMENTATION AGENCY	EXECUTING AGENCY	JICA STUDY TEAM	PREPARED BY	CHECKED BY	APPROVED BY	DRAWING TITLE	DWG NO.
DETAILED DESIGN OF THE CAN THO BRIDGE CONSTRUCTION PROJECT	JICA JAPAN INTERNATIONAL COOPERATION AGENCY (JICA)	SOCIALIST REPUBLIC OF VIET NAM MINISTRY OF TRANSPORT (MOT) MY THUAN PROJECT MANAGEMENT UNIT	NIPON KOREI CO.,LTD.	S. Kiguchi	K. Matsumoto	K. Enomoto	CABLE STAYED BRIDGE SUBSTRUCTURE REINFORCEMENT ARRANGEMENT OF PIER No.15 (SHEET 5/5)	P2-CS-4460
				DATE: 20/9/2000	DATE: 29/9/2000	DATE: 5/10/2000		

BAR BENDING SCHEDULE OF PIER No.15

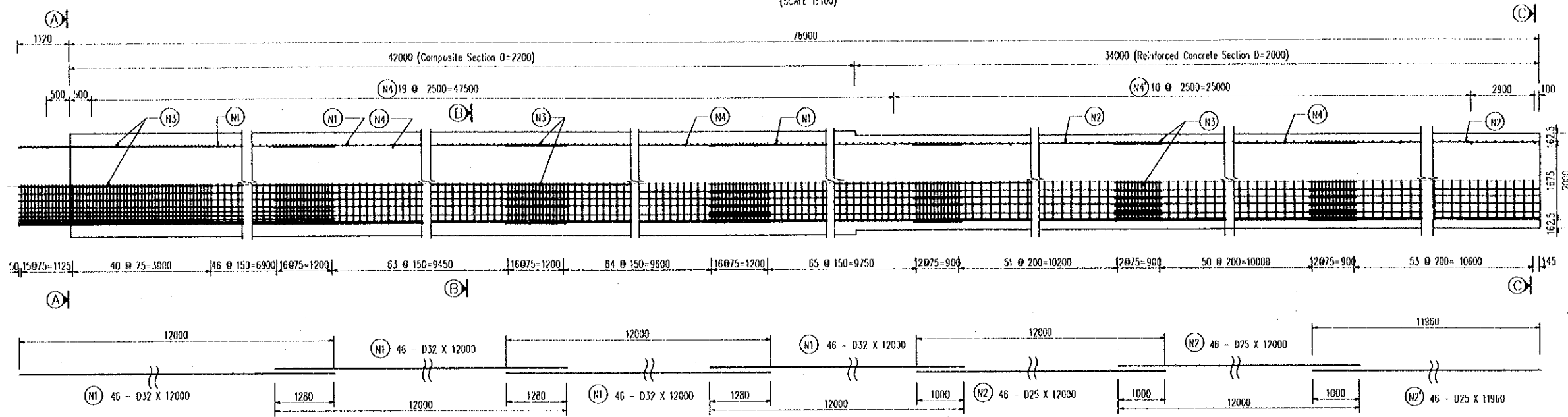


NOTE
ALL DIMENSIONS ARE IN MILLIMETER, UNLESS OTHERWISE INDICATED.

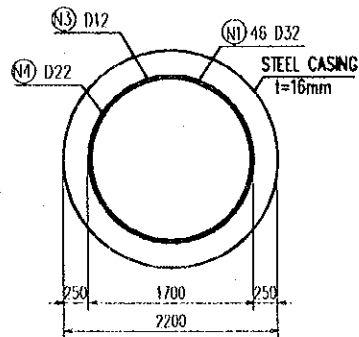
PROJECT NAME	IMPLEMENTATION AGENCY	EXECUTING AGENCY	JICA STUDY TEAM	PREPARED BY	CHECKED BY	APPROVED BY	DRAWING TITLE	DWG NO.
DETAILED DESIGN OF THE CAN THO BRIDGE CONSTRUCTION PROJECT	JICA JAPAN INTERNATIONAL COOPERATION AGENCY (JICA)	SOCIALIST REPUBLIC OF VIET NAM MINISTRY OF TRANSPORT (MOT) MY THUAN PROJECT MANAGEMENT UNIT	NIPPON KOEI CO.,LTD.	S. Kiguchi	K. Matsumoto	K. Enomoto	CABLE STAYED BRIDGE SUBSTRUCTURE DETAILED REINFORCEMENT BARS OF PIER No.15	P2-CS-4470
				NAME				
				SIGNATURE				
				DATE	20/9/2000	29/9/2000	5/10/2000	

BORED CAST-IN-SITU PILE DETAILS

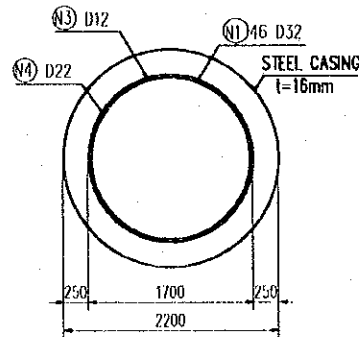
(SCALE 1:100)



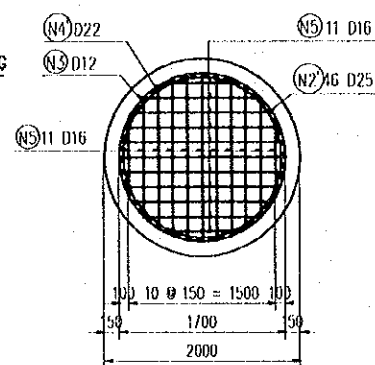
SECTION A-A
(SCALE 1:75)



SECTION B-B
(SCALE 1:75)

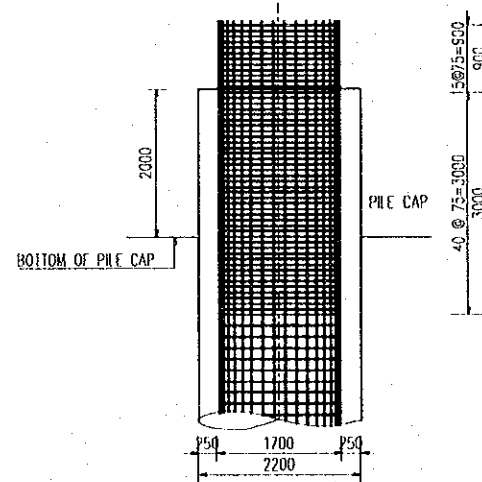


SECTION C-C
(SCALE 1:75)



DETAIL OF CONCRETE PILE H

(SCALE 1:100)

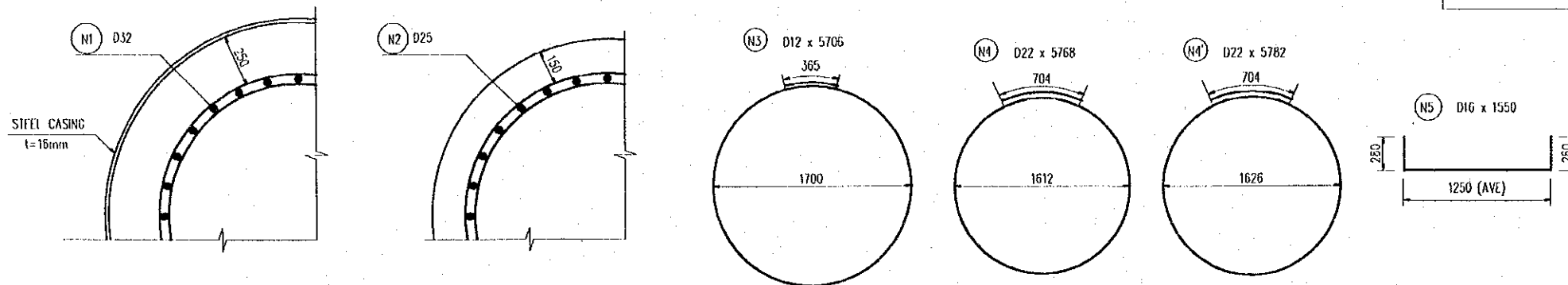


MATERIAL OF PILE

TYPE	D (mm)	LENGTH OF BAR (mm)	U.WEIGHT (kg/m)	NUMBER	WEIGHT (kg)	CONCRETE VOLUME (m3)
N1	32	12000	6.313	184	13939.10	266.5
N2	25	12000	3.853	92	4253.71	
N2'	25	11960	3.853	46	2119.77	
N3	12	5706	0.888	533	2700.67	
N4	22	5768	2.984	22	378.66	
N4'	22	5782	2.984	12	207.04	
N5	16	1550	1.578	22	53.81	
D12					2700.7 KG	
D16					53.8 KG	
D22					585.7 KG	
D25					6373.5 KG	
D32					13939.1 KG	
STEEL PLATE t=16mm					36724.7 KG	
TOTAL					60377.5 KG	

DETAIL OF COVERING

(SCALE 1:25)



NOTES

- FOR STANDARD STRUCTURAL NOTES SEE DRAWING NO

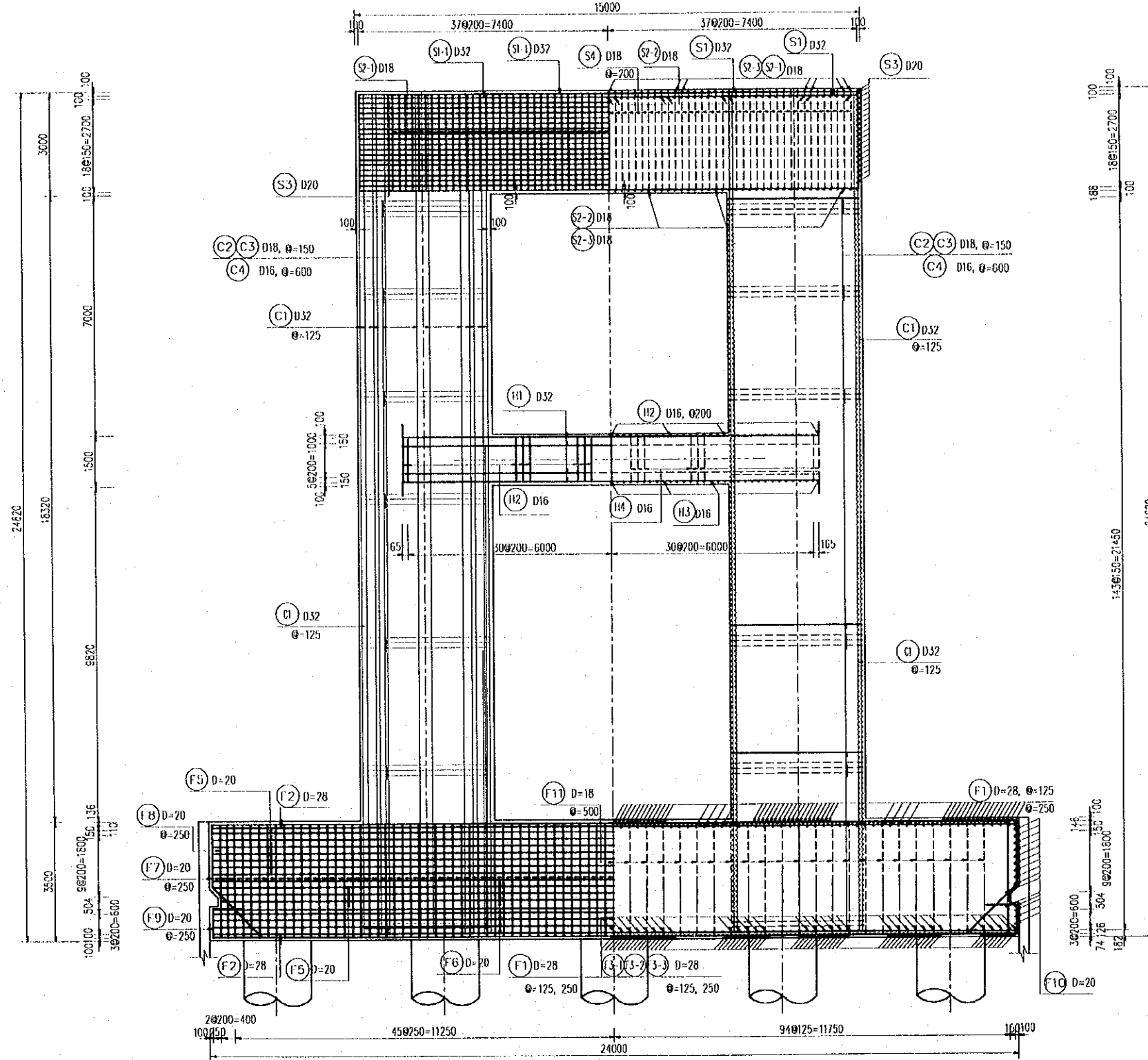
PROJECT NAME	IMPLEMENTATION AGENCY	EXECUTING AGENCY	JICA STUDY TEAM	PREPARED BY	CHECKED BY	APPROVED BY	DRAWING TITLE	DWG NO.
DETAILED DESIGN OF THE CAN THO BRIDGE CONSTRUCTION PROJECT	JAPAN INTERNATIONAL COOPERATION AGENCY (JICA)	SOCIALIST REPUBLIC OF VIET NAM MINISTRY OF TRANSPORT (MOT) MY THUAN PROJECT MANAGEMENT UNIT	NIPPON KOEI CO.,LTD.	NAME: S. Kiguchi SIGNATURE: <i>S. Kiguchi</i> DATE: 20/9/2000	NAME: K. Matsumoto SIGNATURE: <i>K. Matsumoto</i> DATE: 29/9/2000	NAME: K. Enomoto SIGNATURE: <i>K. Enomoto</i> DATE: 5/10/2000	CABLE STAYED BRIDGE SUBSTRUCTURE PIER No.15 BORED CAST-IN-SITU PILE Ø2000mm, L=76.0m	P2-CS-4480

HALF SECTION 1-1

HALF SECTION 2-2

SCALE 1:150

SCALE 1:150



NOTE:

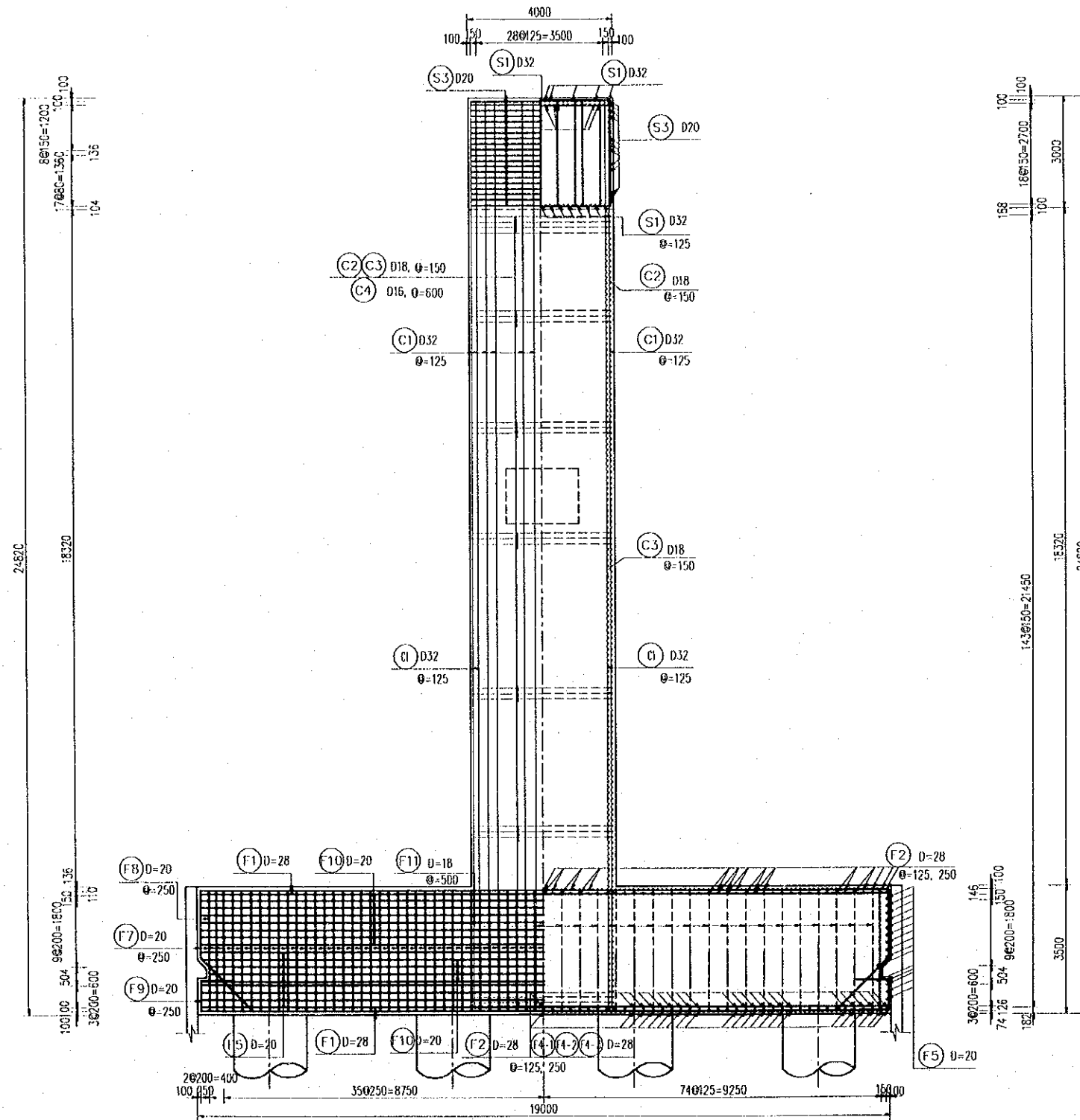
ALL DIMENSIONS ARE IN MILLIMETERS, UNLESS OTHERWISE INDICATED.

PROJECT NAME	IMPLEMENTATION AGENCY	EXECUTING AGENCY	JICA STUDY TEAM	PREPARED BY	CHECKED BY	APPROVED BY	DRAWING TITLE	DWG NO.
DETAILED DESIGN OF THE CAN THO BRIDGE CONSTRUCTION PROJECT	JICA JAPAN INTERNATIONAL COOPERATION AGENCY (JICA)	SOCIALIST REPUBLIC OF VIET NAM MINISTRY OF TRANSPORT (MOT) MY THUAN PROJECT MANAGEMENT UNIT	NIPON KOEI CO.,LTD.	S. Kiguchi	K. Matsumoto	K. Enomoto	CABLE STAYED BRIDGE SUBSTRUCTURE REINFORCEMENT ARRANGEMENT OF PIER No.16 (SHEET 1/5)	P2/CS/4500
				DATE: 20/9/2000	DATE: 29/9/2000	DATE: 5/10/2000		

HALF SECTION 3-3 HALF SECTION 4-4

SCALE 1:150

SCALE 1:150



NOTE:

ALL DIMENSIONS ARE IN MILLIMETERS, UNLESS OTHERWISE INDICATED.

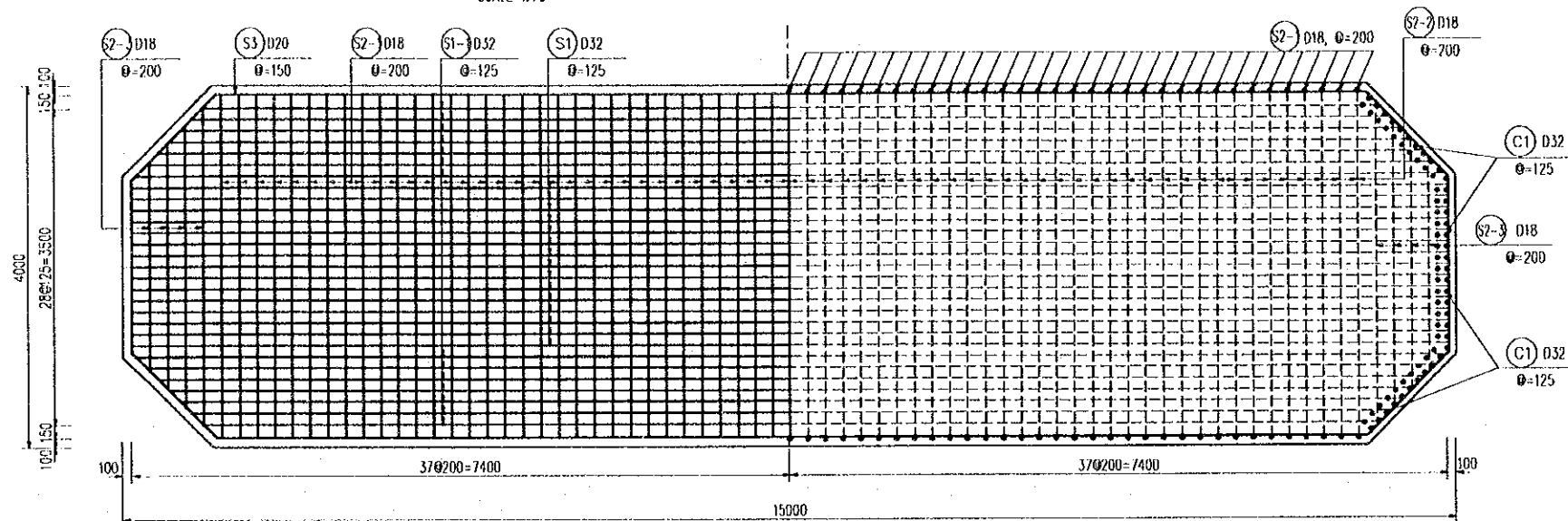
PROJECT NAME	IMPLEMENTATION AGENCY	EXECUTING AGENCY	JICA STUDY TEAM	PREPARED BY	CHECKED BY	APPROVED BY	DRAWING TITLE	DWG NO.
DETAILED DESIGN OF THE CAN THO BRIDGE CONSTRUCTION PROJECT	JICA JAPAN INTERNATIONAL COOPERATION AGENCY (JICA)	SOCIALIST REPUBLIC OF VIET NAM MINISTRY OF TRANSPORT (MOT) MY THUAN PROJECT MANAGEMENT UNIT	(NK) NIPPON KOEI CO.,LTD.	NAME S. Kiguchi SIGNATURE <i>S. Kiguchi</i> DATE 20/9/2000	NAME K. Matsumoto SIGNATURE <i>K. Matsumoto</i> DATE 29/9/2000	NAME K. Enomoto SIGNATURE <i>K. Enomoto</i> DATE 5/10/2000	CABLE STAYED BRIDGE SUBSTRUCTURE REINFORCEMENT ARRANGEMENT OF PIER No.16 (SHEET 2/5)	P2/CS/4510

SECTION 5 - 5

SCALE 1:75

SECTION 6 - 6

SCALE 1:75

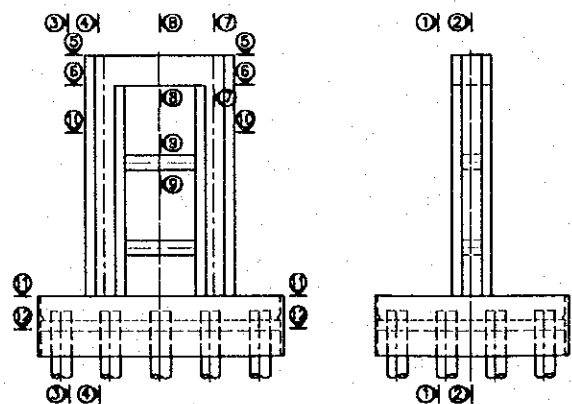
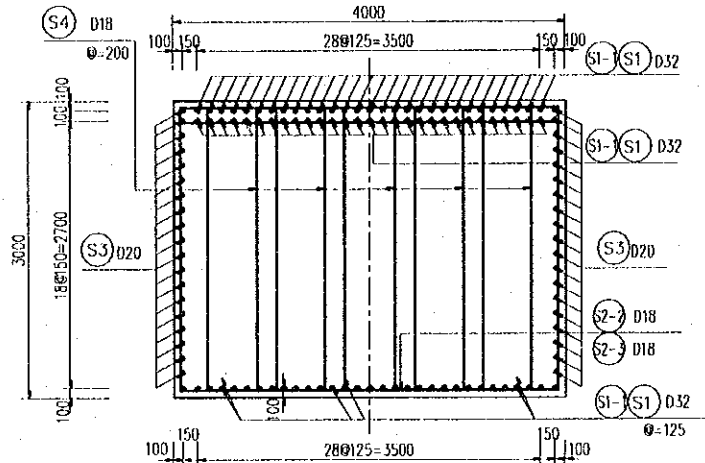
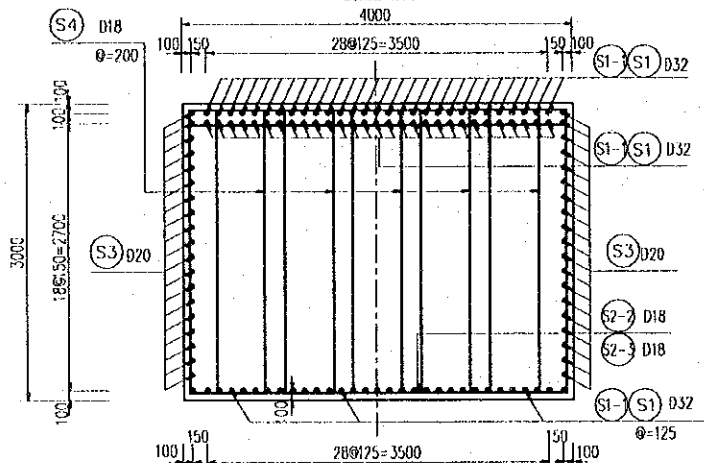


SECTION 7 - 7

SCALE 1:75

SECTION 8 - 8

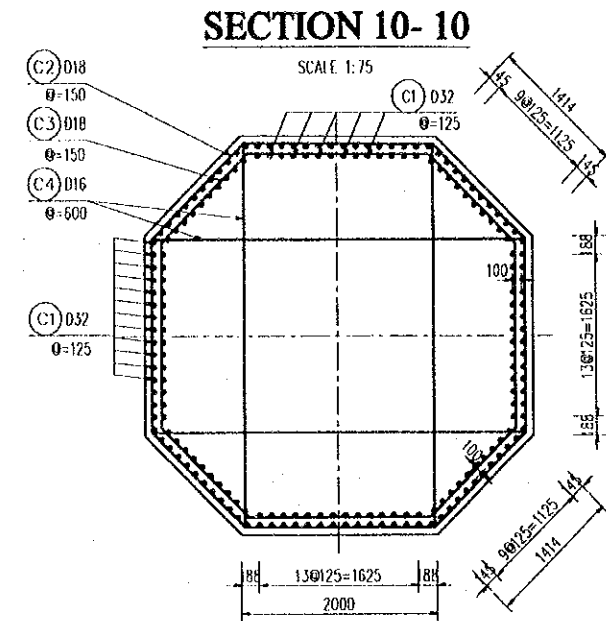
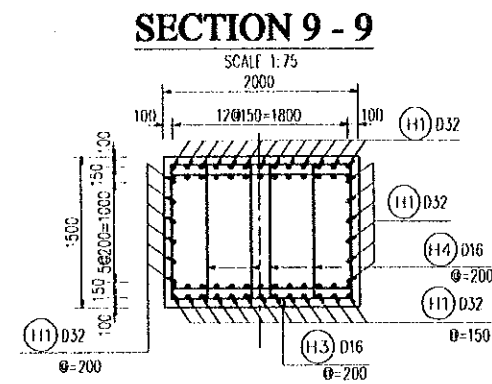
SCALE 1:75



NOTE:

ALL DIMENSIONS ARE IN MILLIMETERS, UNLESS OTHERWISE INDICATED.

PROJECT NAME	IMPLEMENTATION AGENCY	EXECUTING AGENCY	JICA STUDY TEAM	PREPARED BY	CHECKED BY	APPROVED BY	DRAWING TITLE	DWG NO.
DETAILED DESIGN OF THE CAN THO BRIDGE CONSTRUCTION PROJECT	JAPAN INTERNATIONAL COOPERATION AGENCY (JICA)	SOCIALIST REPUBLIC OF VIET NAM MINISTRY OF TRANSPORT (MOT) MY THUAN PROJECT MANAGEMENT UNIT	NIPPON KOEI CO.,LTD.	NAME: S. Kiguchi SIGNATURE: <i>S. Kiguchi</i> DATE: 20/9/2000	NAME: K. Matsumoto SIGNATURE: <i>K. Matsumoto</i> DATE: 29/9/2000	NAME: K. Enomoto SIGNATURE: <i>K. Enomoto</i> DATE: 5/10/2000	CABLE STAYED BRIDGE SUBSTRUCTURE REINFORCEMENT ARRANGEMENT OF PIER No.16 (SHEET 3/5)	P2/CS/4520

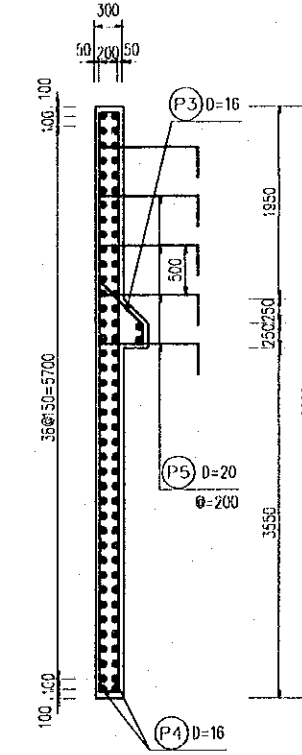
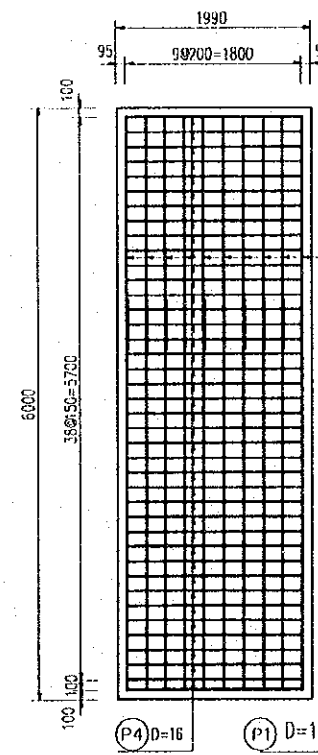
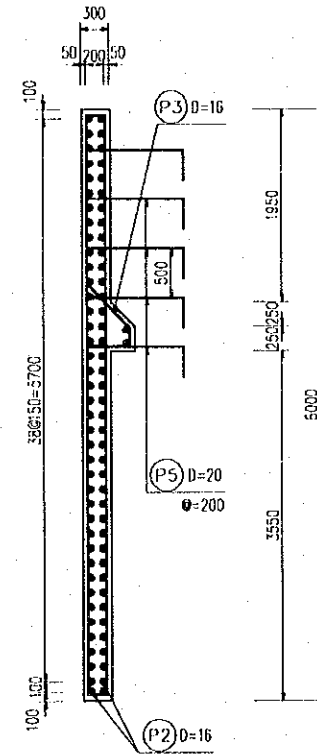
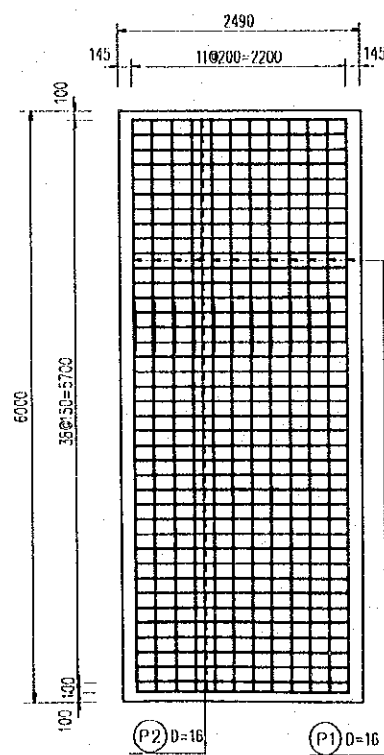


PRECAST SKIRTING UNITS

SCALE 1:75

TYPE "4"

TYPE "5"



NOTE:

ALL DIMENSIONS ARE IN MILLIMETERS, UNLESS OTHERWISE INDICATED.

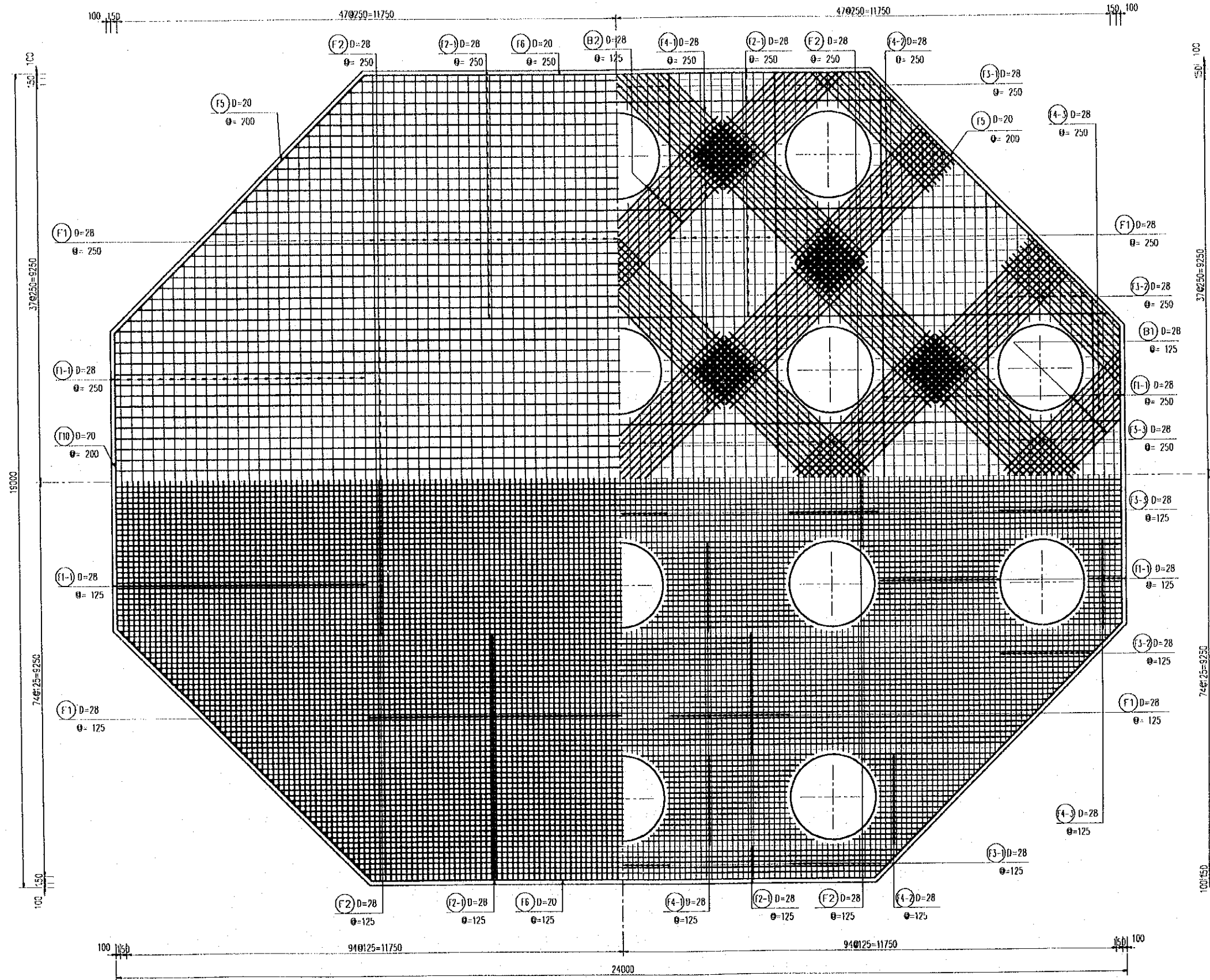
PROJECT NAME	IMPLEMENTATION AGENCY	EXECUTING AGENCY	JICA STUDY TEAM	PREPARED BY	CHECKED BY	APPROVED BY	DRAWING TITLE	DWG NO.
DETAILED DESIGN OF THE CAN THO BRIDGE CONSTRUCTION PROJECT	JICA JAPAN INTERNATIONAL COOPERATION AGENCY (JICA)	SOCIALIST REPUBLIC OF VIET NAM MINISTRY OF TRANSPORT (MOT) MY THUAN PROJECT MANAGEMENT UNIT	NIPPON KOEI CO.,LTD.	S. Kiguchi	K. Matsumoto	K. Enomoto	CABLE STAYED BRIDGE SUBSTRUCTURE REINFORCEMENT ARRANGEMENT OF PIER No.16 (SHEET 4/5)	P2/CS/4530
				DATE: 20/9/2000	DATE: 29/9/2000	DATE: 5/10/2000		

HALF SECTION 11-11

SCALE 1:100

HALF SECTION 12-12

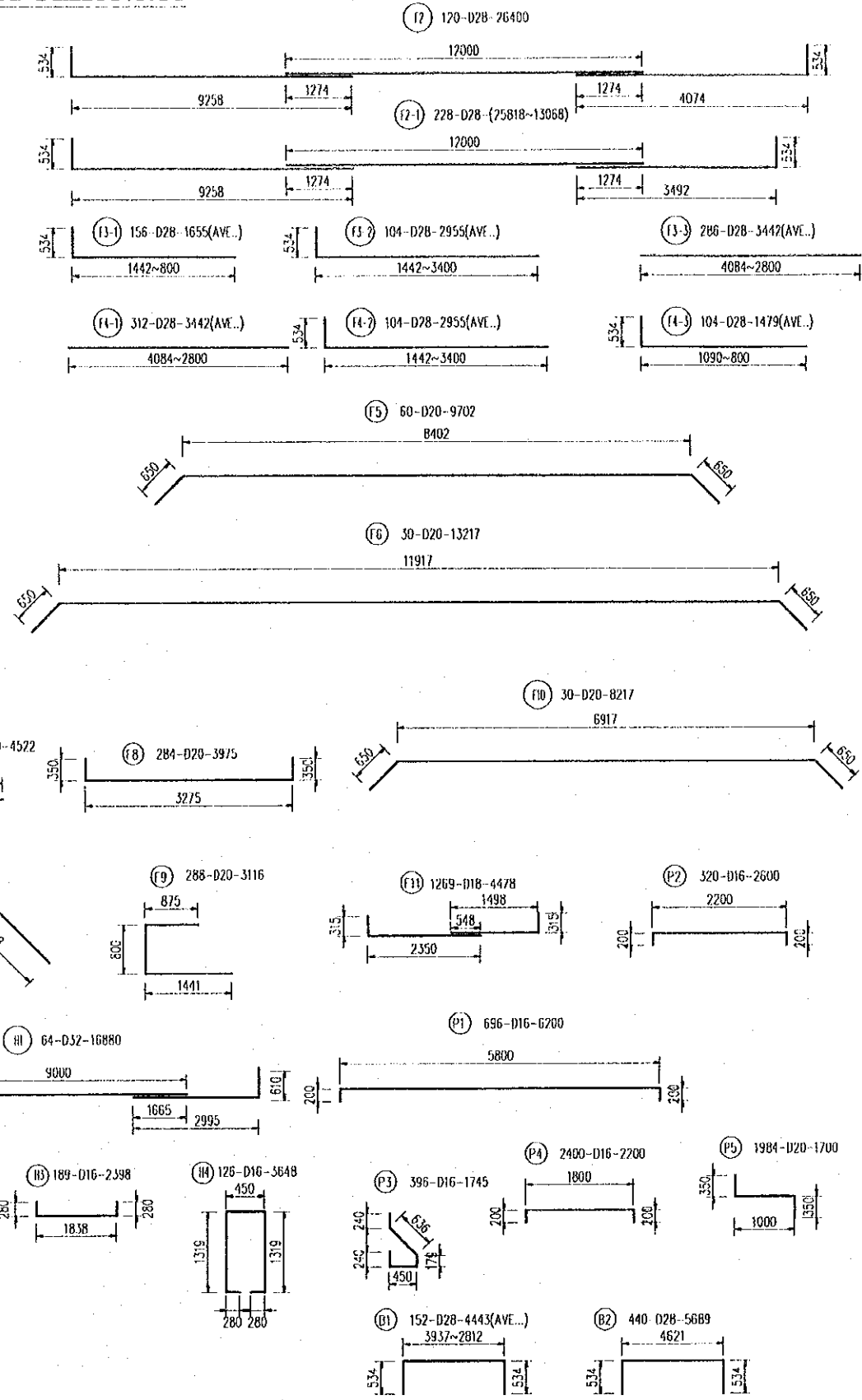
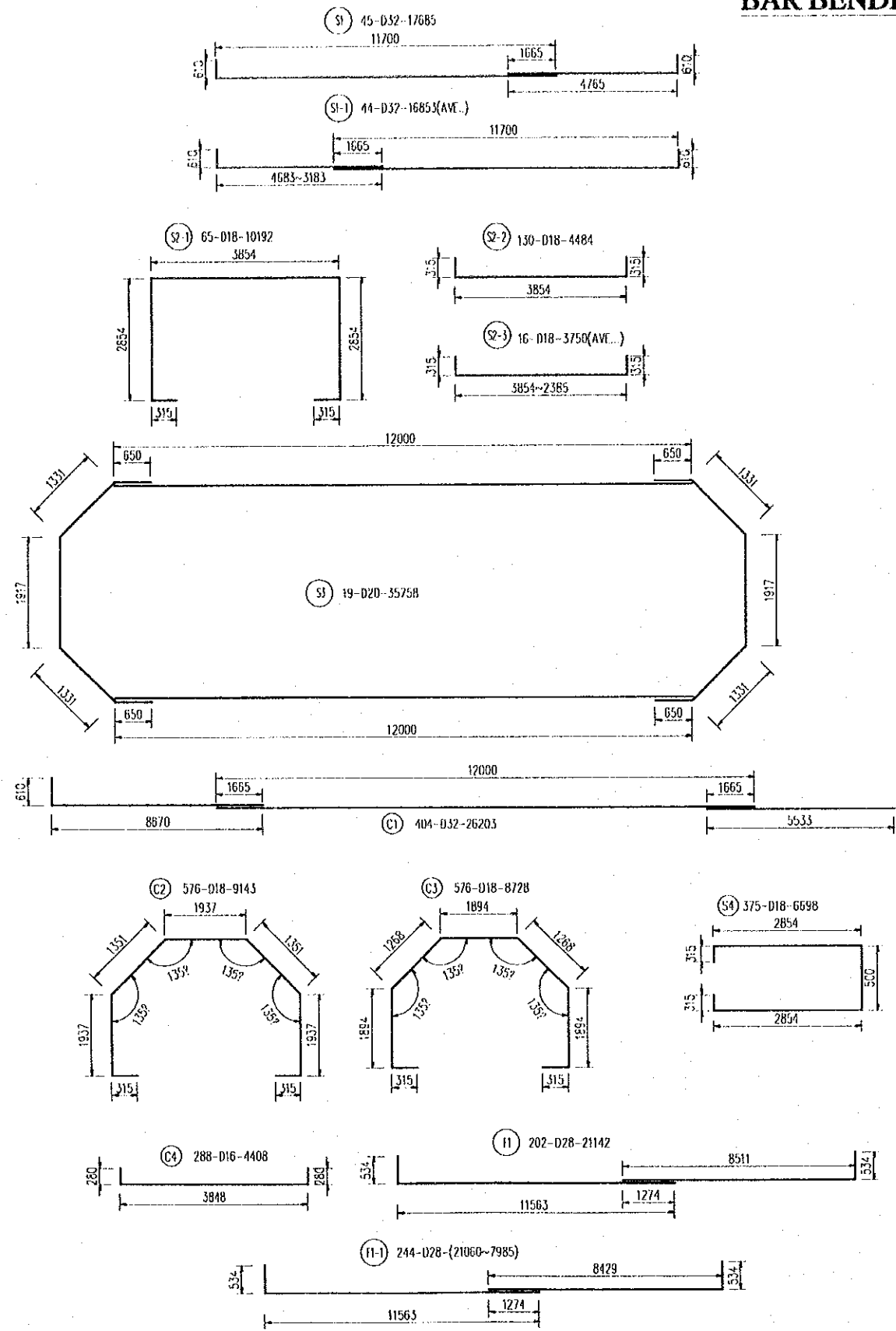
SCALE 1:100



NOTE:
ALL DIMENSIONS ARE IN MILLIMETERS, UNLESS OTHERWISE INDICATED.

PROJECT NAME	IMPLEMENTATION AGENCY	EXECUTING AGENCY	JICA STUDY TEAM	PREPARED BY	CHECKED BY	APPROVED BY	DRAWING TITLE	DWG NO.
DETAILED DESIGN OF THE CAN THO BRIDGE CONSTRUCTION PROJECT	JICA JAPAN INTERNATIONAL COOPERATION AGENCY (JICA)	SOCIALIST REPUBLIC OF VIET NAM MINISTRY OF TRANSPORT (MOT) MY THUAN PROJECT MANAGEMENT UNIT	NIPPON KOEI CO.,LTD.	S. Kiguchi	K. Matsumoto	K. Enomoto	CABLE STAYED BRIDGE SUBSTRUCTURE REINFORCEMENT ARRANGEMENT OF FIBER No.16 (SHEET 5/5)	P2/CS/4540
				DATE: 20/9/2000	DATE: 29/9/2000	DATE: 5/10/2000		

BAR BENDING SCHEDULE OF PIER No.16



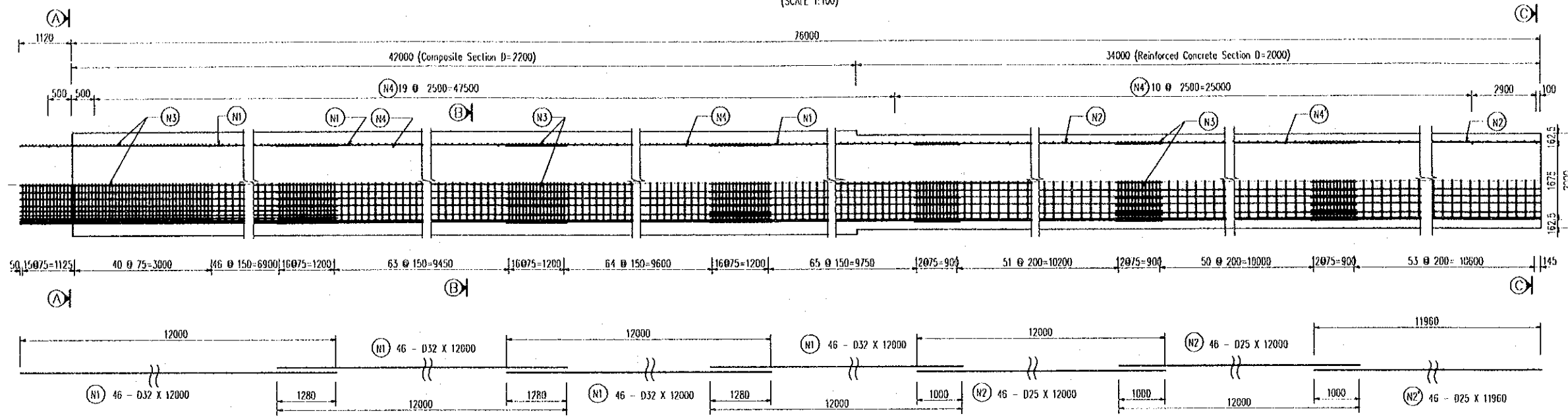
NOTE

ALL DIMENSIONS ARE IN MILLIMETER, UNLESS OTHERWISE INDICATED.

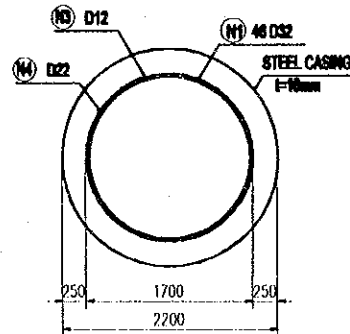
PROJECT NAME	IMPLEMENTATION AGENCY	EXECUTING AGENCY	JICA STUDY TEAM	PREPARED BY	CHECKED BY	APPROVED BY	DRAWING TITLE	DWG NO.
DETAILED DESIGN OF THE CAN THO BRIDGE CONSTRUCTION PROJECT	JAPAN INTERNATIONAL COOPERATION AGENCY (JICA)	SOCIALIST REPUBLIC OF VIET NAM MINISTRY OF TRANSPORT (MOT) MY THUAN PROJECT MANAGEMENT UNIT	NIPPON KOEI CO.,LTD.	NAME: S. Kiguchi SIGNATURE: <i>S. Kiguchi</i> DATE: 20/9/2000	NAME: K. Matsumoto SIGNATURE: <i>K. Matsumoto</i> DATE: 29/9/2000	NAME: K. Enomoto SIGNATURE: <i>K. Enomoto</i> DATE: 5/10/2000	CABLE STAYED BRIDGE SUBSTRUCTURE DETAILED REINFORCEMENT BARS OF PIER No.16	P2/CS/4550

BORED CAST IN-SITU PILE DETAILS

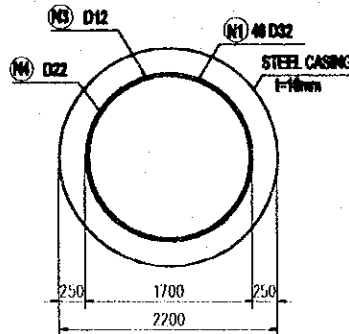
(SCALE 1:100)



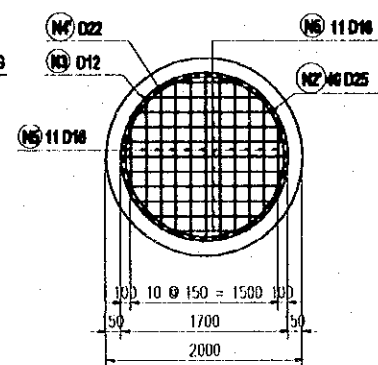
SECTION A-A
(SCALE 1:75)



SECTION B-B
(SCALE 1:75)

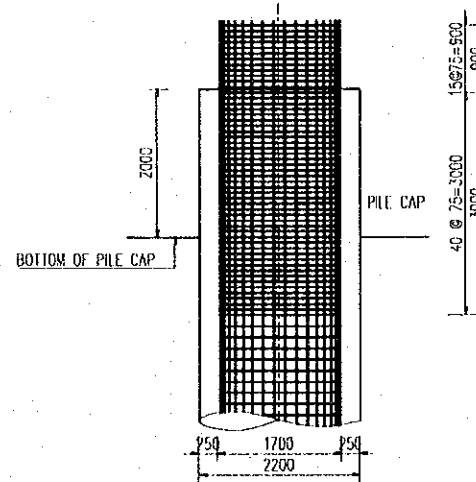


SECTION C-C
(SCALE 1:75)



DETAIL OF CONCRETE PILE H

(SCALE 1:100)

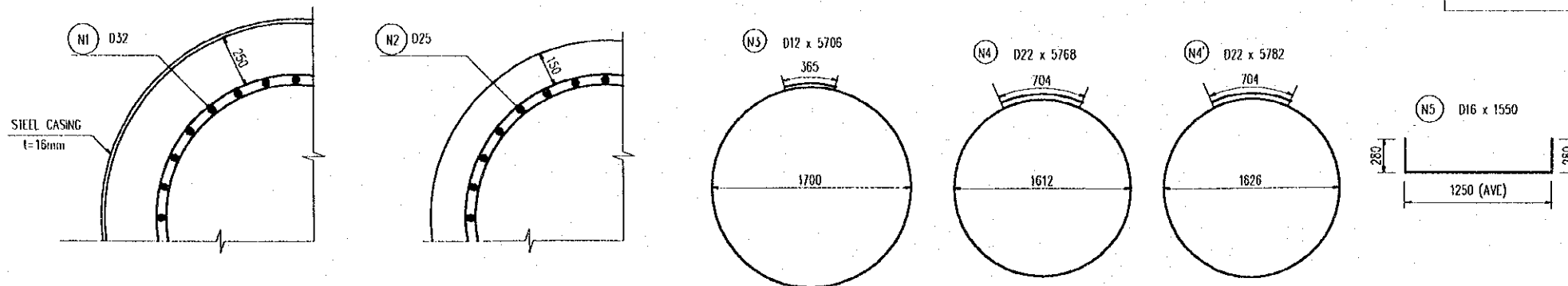


MATERIAL OF PILE

TYPE	D (mm)	LENGTH OF BAR (mm)	U.WEIGHT (kg/m)	NUMBER	WEIGHT (kg)	CONCRETE VOLUME (m ³)	
N1	32	12000	6.313	184	13939.10	266.5	
N2	25	12000	3.855	92	4253.71		
N2'	25	11960	3.855	46	2119.77		
N3	12	5706	0.888	533	2700.67		
N4	22	5768	2.984	22	378.66		
N4'	22	5782	2.984	12	207.04		
N5	16	1550	1.578	22	53.81		
					D12		2700.7 KC
					D16		53.8 KC
					D22		585.7 KC
					D25		6373.5 KC
					D32		13939.1 KC
					STEEL PLATE l=16mm		36724.7 KC
					TOTAL		60377.5 KC

DETAIL OF COVERING

(SCALE 1:25)



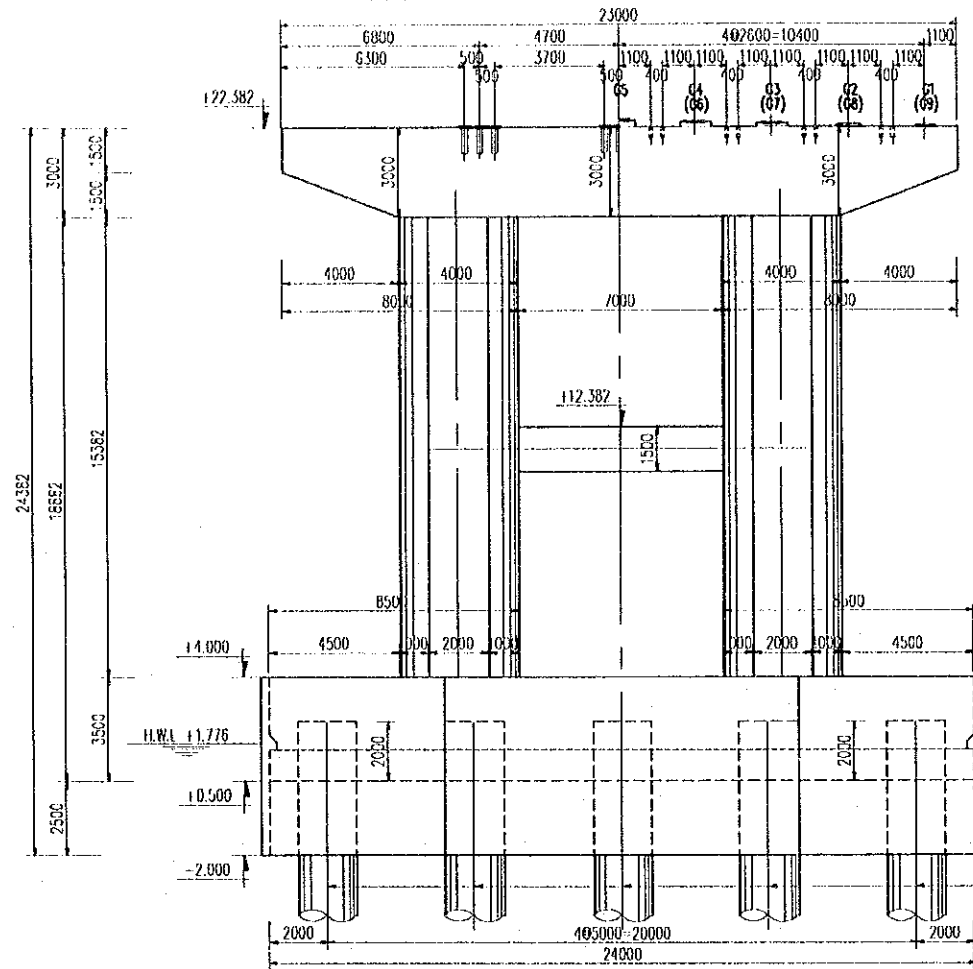
NOTES

- FOR STANDARD STRUCTURAL NOTES SEE DRAWING NO

PROJECT NAME	IMPLEMENTATION AGENCY	EXECUTING AGENCY	JICA STUDY TEAM	PREPARED BY	CHECKED BY	APPROVED BY	DRAWING TITLE	DWG NO.
DETAILED DESIGN OF THE CAN THO BRIDGE CONSTRUCTION PROJECT	JICA JAPAN INTERNATIONAL COOPERATION AGENCY (JICA)	SOCIALIST REPUBLIC OF VIET NAM MINISTRY OF TRANSPORT (MOT) MY THUAN PROJECT MANAGEMENT UNIT	NIPPON KOEI CO.,LTD.	S. Kiguchi	K. Matsumoto	K. Enomoto	CABLE STAYED BRIDGE SUBSTRUCTURE PIER No. 16 BORED CAST-IN-SITU PILE Ø2000mm, L=76.0m	P2/CS/4560

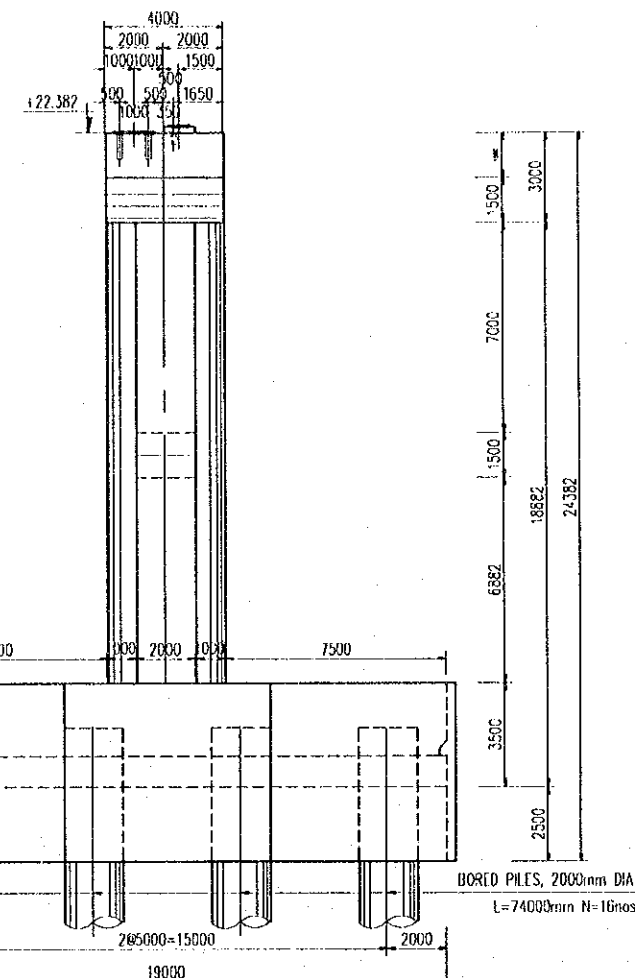
ELEVATION (SCALE 1:250)

CABLE STAYED BRIDGE APPROACH BRIDGE

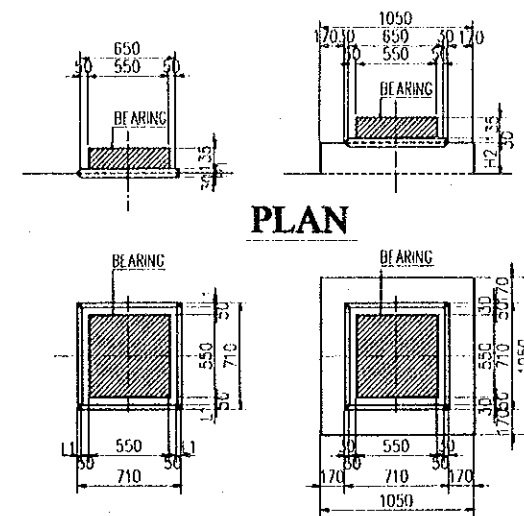


SIDE ELEVATION (SCALE 1:250)

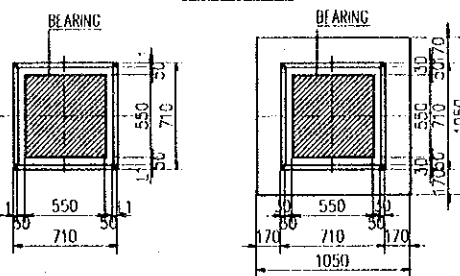
CABLE STAYED BRIDGE APPROACH BRIDGE



APPROACH BRIDGE

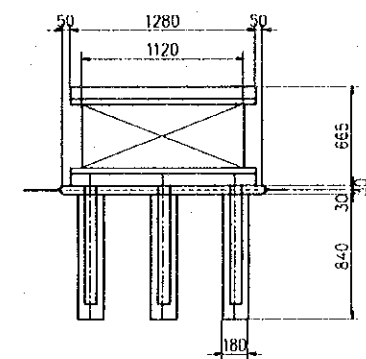


PLAN

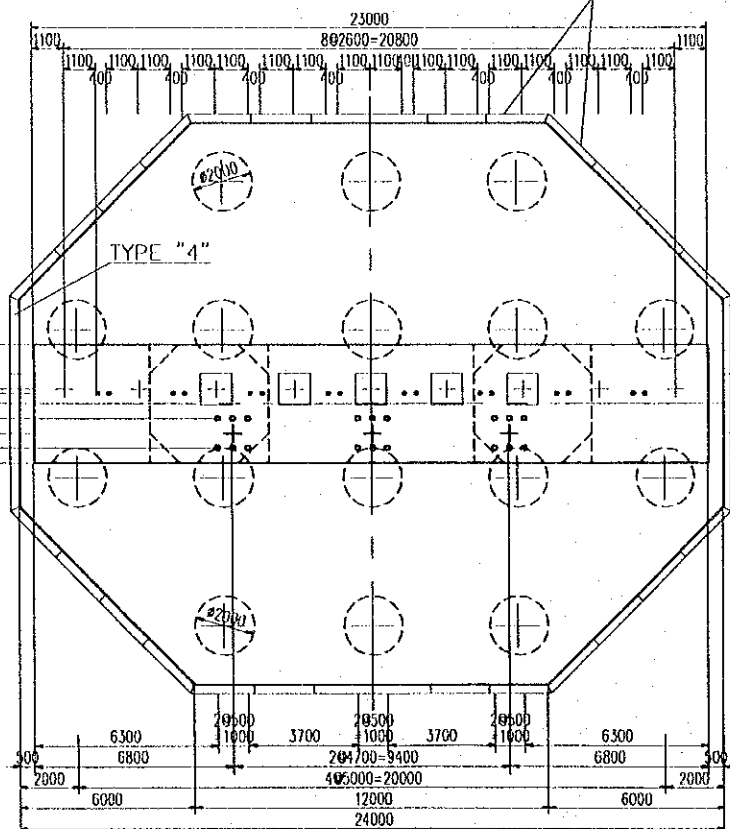


No.	H1	H2	L1
G1,G9	30	-	30
G2,G8	82	-	82
G3,G7	-	104	-
G4,G6	-	156	-
G5	-	208	-

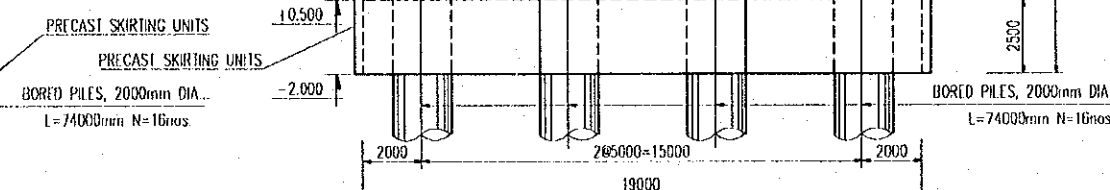
CABLE STAYED BRIDGE



PLAN (SCALE 1:250)

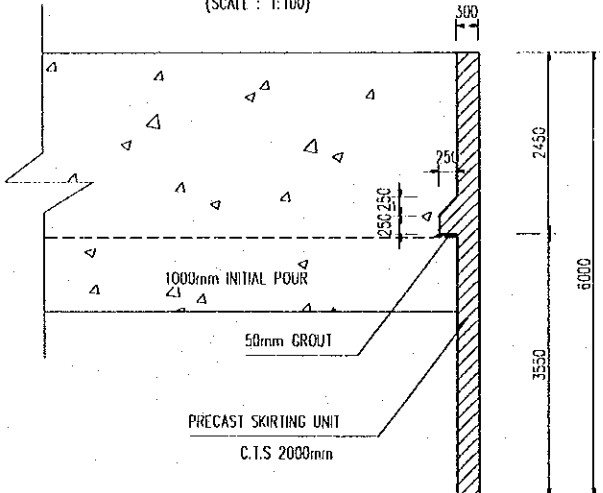


DETAIL "A"



DETAIL "A"

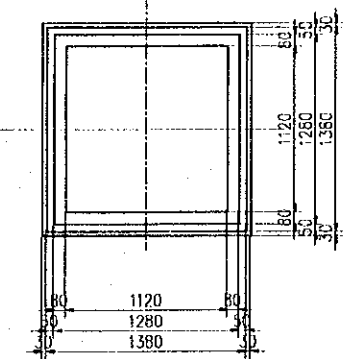
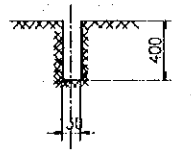
(SCALE : 1:100)



DETAIL OF ANCHOR HOLE

(SCALE 1:50)

APPROACH BRIDGE



NOTE:

ALL DIMENSIONS ARE IN MILLIMETERS, UNLESS OTHERWISE INDICATED.

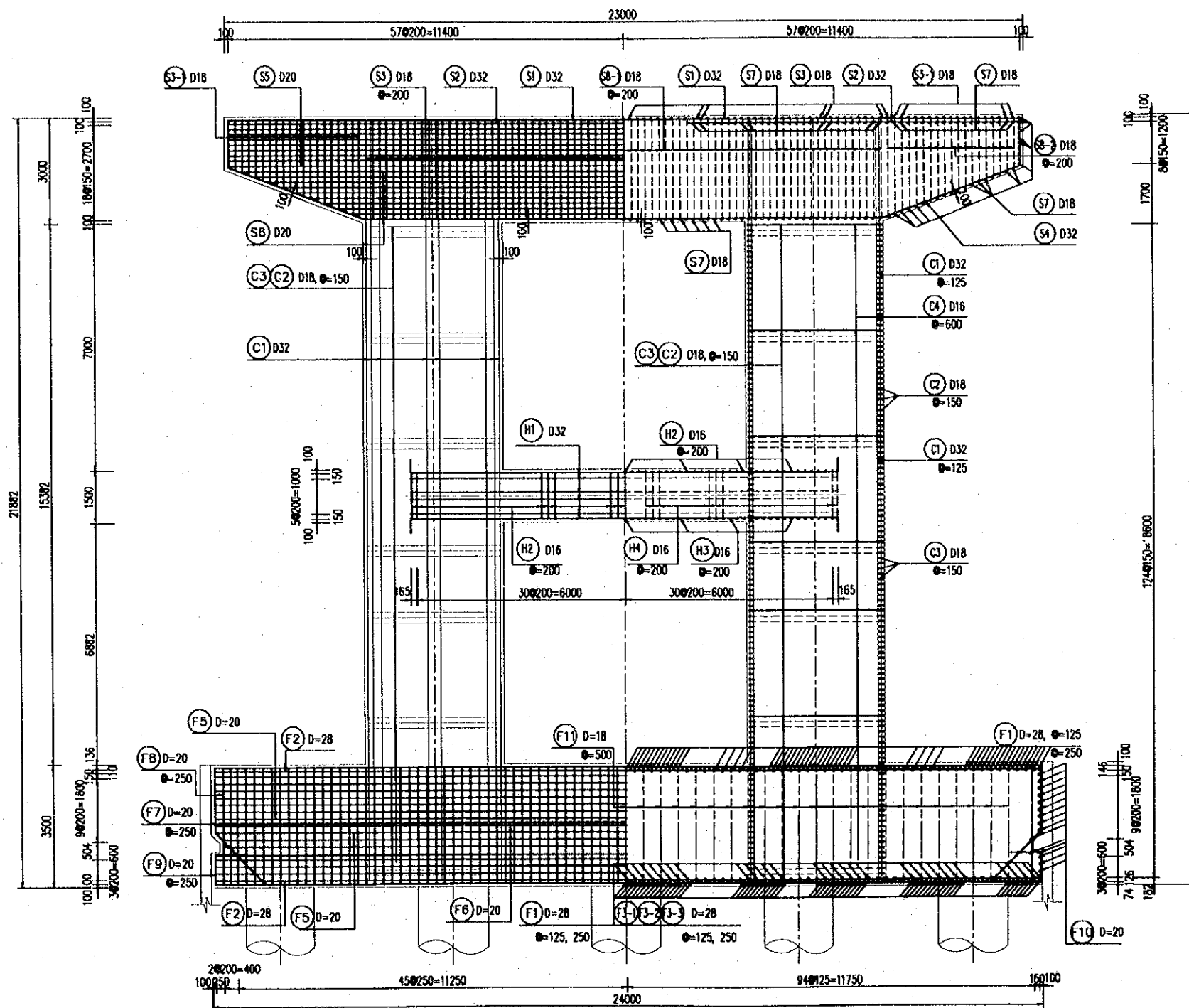
PROJECT NAME	IMPLEMENTATION AGENCY	EXECUTING AGENCY	JICA STUDY TEAM	PREPARED BY	CHECKED BY	APPROVED BY	DRAWING TITLE	DWG NO.
DETAILED DESIGN OF THE CAN THO BRIDGE CONSTRUCTION PROJECT	JICA JAPAN INTERNATIONAL COOPERATION AGENCY (JICA)	SOCIALIST REPUBLIC OF VIET NAM MINISTRY OF TRANSPORT (MOT) MY THUAN PROJECT MANAGEMENT UNIT	(NK) NIPPON KOEI CO.,LTD.	S. Kiguchi	K. Matsumoto	K. Enomoto	CABLE STAYED BRIDGE SUBSTRUCTURE GENERAL VIEW OF PIER No.17	P2/CS/4570
				S. Kiguchi	K. Matsumoto	K. Enomoto		
				20/9/2000	29/9/2000	5/10/2000		

HALF SECTION 1-1

SCALE 1:150



HALF SECTION 2-2

SCALE 1:150



NOTE:

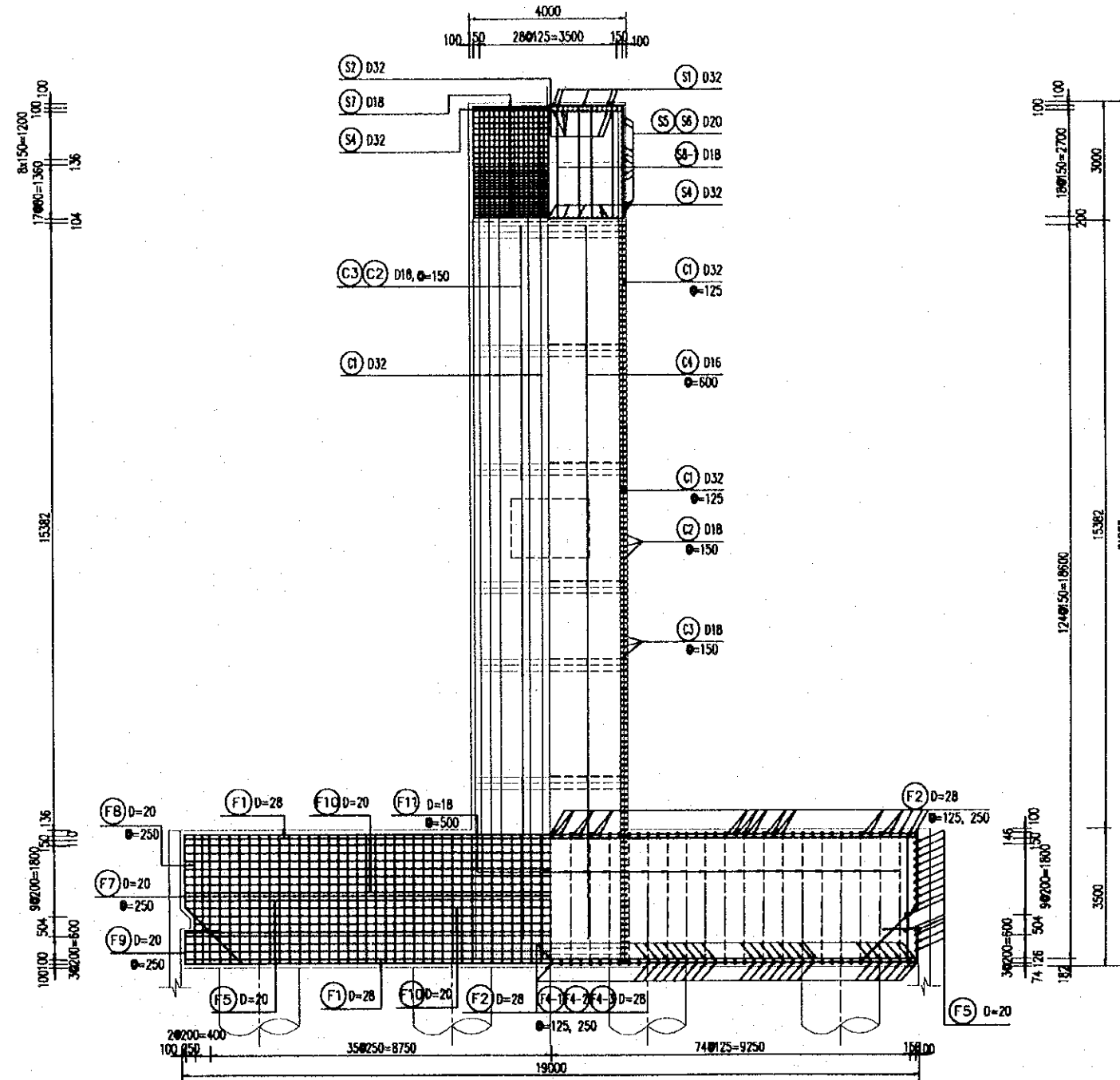
ALL DIMENSIONS ARE IN MILLIMETERS, UNLESS OTHERWISE INDICATED.

PROJECT NAME DETAILED DESIGN OF THE CAN THO BRIDGE CONSTRUCTION PROJECT	IMPLEMENTATION AGENCY  JAPAN INTERNATIONAL COOPERATION AGENCY (JICA)	EXECUTING AGENCY SOCIALIST REPUBLIC OF VIET NAM MINISTRY OF TRANSPORT (MOT) MY THUAN PROJECT MANAGEMENT UNIT	JICA STUDY TEAM  NIPPON KOEI CO.,LTD.	PREPARED BY NAME: S. Kiguchi SIGNATURE: <i>S. Kiguchi</i> DATE: 20/9/2000	CHECKED BY NAME: K. Matsumoto SIGNATURE: <i>K. Matsumoto</i> DATE: 29/9/2000	APPROVED BY NAME: K. Enomoto SIGNATURE: <i>K. Enomoto</i> DATE: 5/10/2000	DRAWING TITLE CABLE STAYED BRIDGE SUBSTRUCTURE REINFORCEMENT ARRANGEMENT OF PIER No.17 (SHEET 1/5)	DWG. NO. PC/CS/4580
---	---	--	--	---	--	---	---	-------------------------------

HALF SECTION 3-3 HALF SECTION 4-4

SCALE 1:150

SCALE 1:150



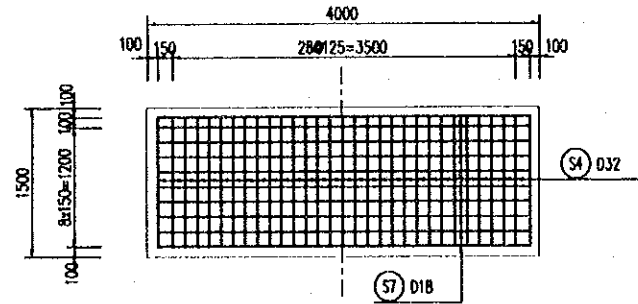
NOTE:

ALL DIMENSIONS ARE IN MILLIMETERS, UNLESS OTHERWISE INDICATED.

PROJECT NAME	IMPLEMENTATION AGENCY	EXECUTING AGENCY	JICA STUDY TEAM	PREPARED BY	CHECKED BY	APPROVED BY	DRAWING TITLE	DWG NO.
DETAILED DESIGN OF THE CAN THO BRIDGE CONSTRUCTION PROJECT	JICA JAPAN INTERNATIONAL COOPERATION AGENCY (JICA)	SOCIALIST REPUBLIC OF VIET NAM MINISTRY OF TRANSPORT (MOT) MY THUAN PROJECT MANAGEMENT UNIT	NIPPON KOEI CO., LTD.	S. Kiguchi	K. Matsumoto	K. Enomoto	CABLE STAYED BRIDGE SUBSTRUCTURE REINFORCEMENT ARRANGEMENT OF PIER No.17 (SHEET 2/5)	PC/CS/4590
				NAME	NAME	NAME		
				SIGNATURE	SIGNATURE	SIGNATURE		
				DATE	DATE	DATE		

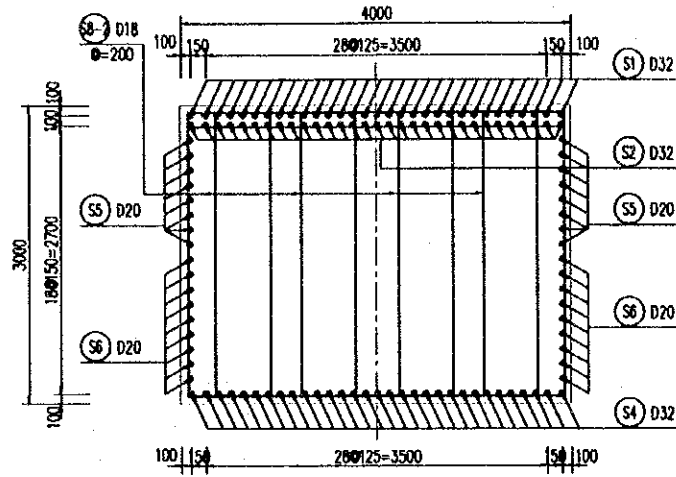
SECTION 5-5

SCALE 1:75



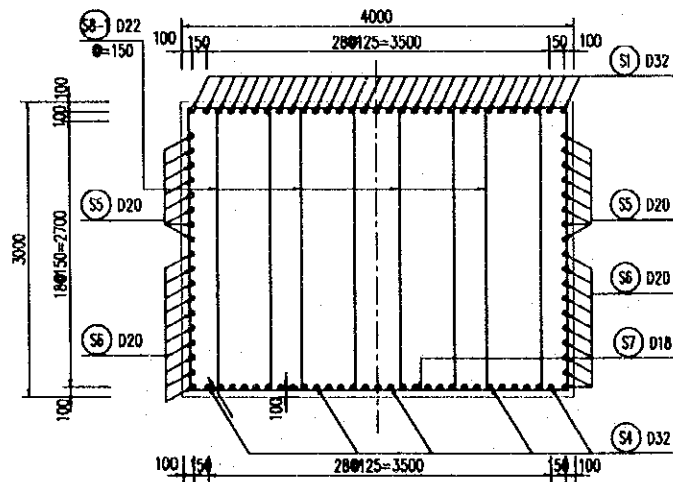
SECTION 6-6

SCALE 1:75



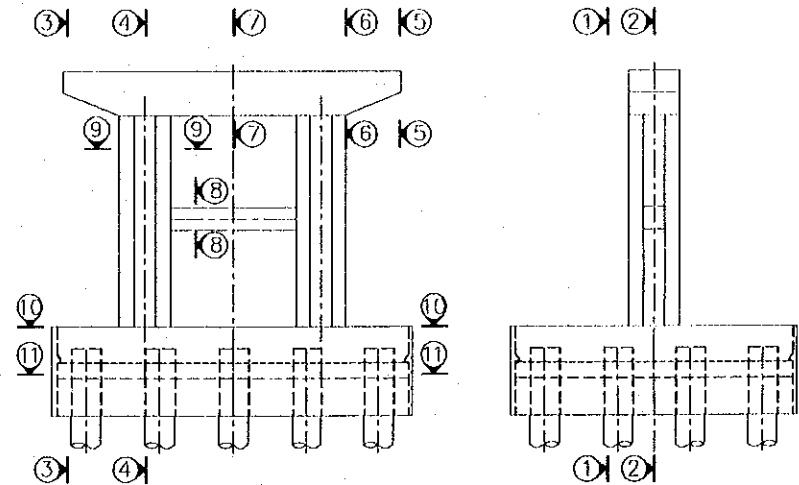
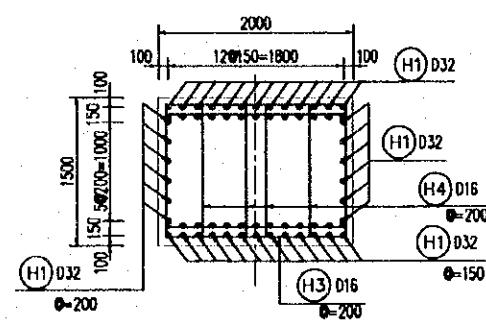
SECTION 7-7

SCALE 1:75



SECTION 8-8

SCALE 1:75

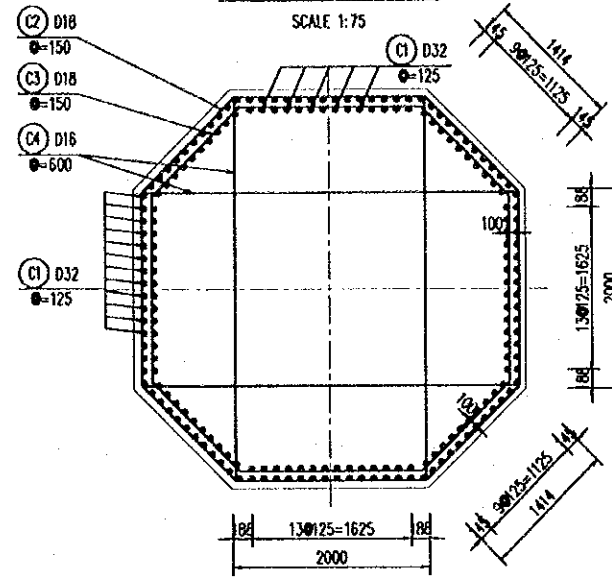


NOTE:

ALL DIMENSIONS ARE IN MILLIMETERS, UNLESS OTHERWISE INDICATED.

PROJECT NAME	IMPLEMENTATION AGENCY	EXECUTING AGENCY	JICA STUDY TEAM	PREPARED BY	CHECKED BY	APPROVED BY	DRAWING TITLE	DWG NO.
DETAILED DESIGN OF THE CAN THO BRIDGE CONSTRUCTION PROJECT	JICA JAPAN INTERNATIONAL COOPERATION AGENCY (JICA)	SOCIALIST REPUBLIC OF VIET NAM MINISTRY OF TRANSPORT (MOT) MY THUAN PROJECT MANAGEMENT UNIT	(NK) NIPPON KOEI CO.,LTD.	S. Kiguchi	K. Matsumoto	K. Enomoto	CABLE STAYED BRIDGE SUBSTRUCTURE REINFORCEMENT ARRANGEMENT OF PIER No.17 (SHEET 3/5)	PC/CS/4600
				DATE 20/9/2000	DATE 29/9/2000	DATE 5/10/2000		

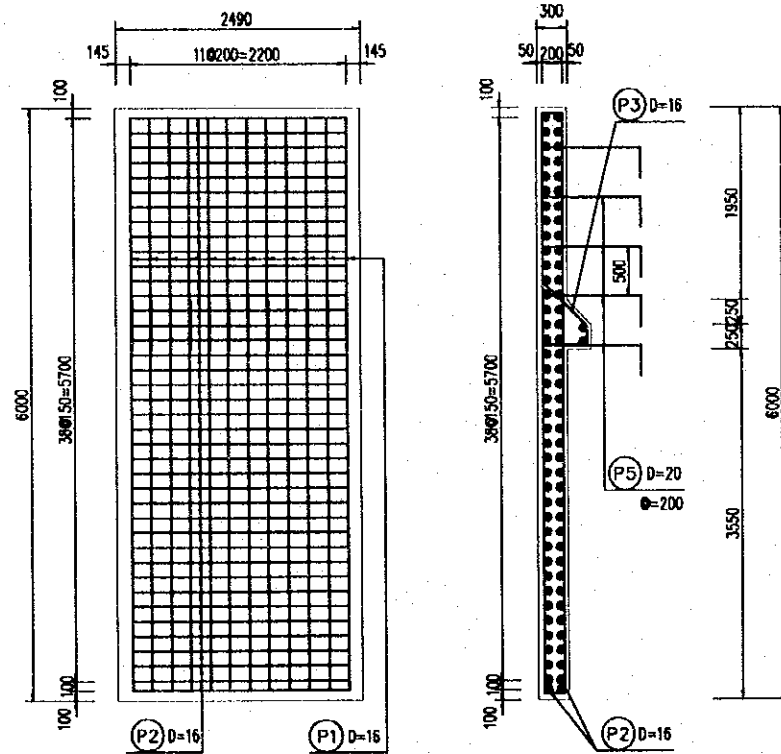
SECTION 9-9



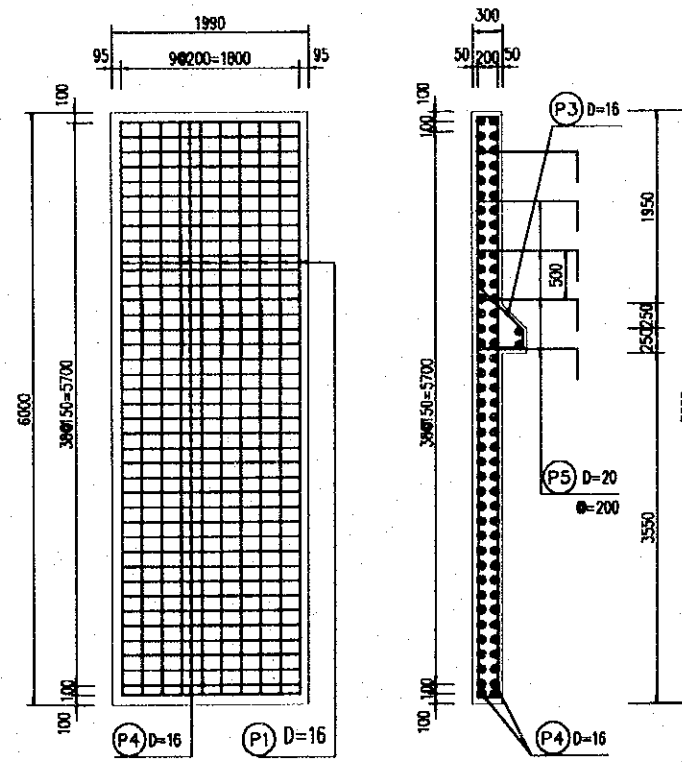
PRECAST SKIRTING UNITS

SCALE : 1:75

TYPE "4"





TYPE "5"



NOTE:

ALL DIMENSIONS ARE IN MILLIMETERS, UNLESS OTHERWISE INDICATED.

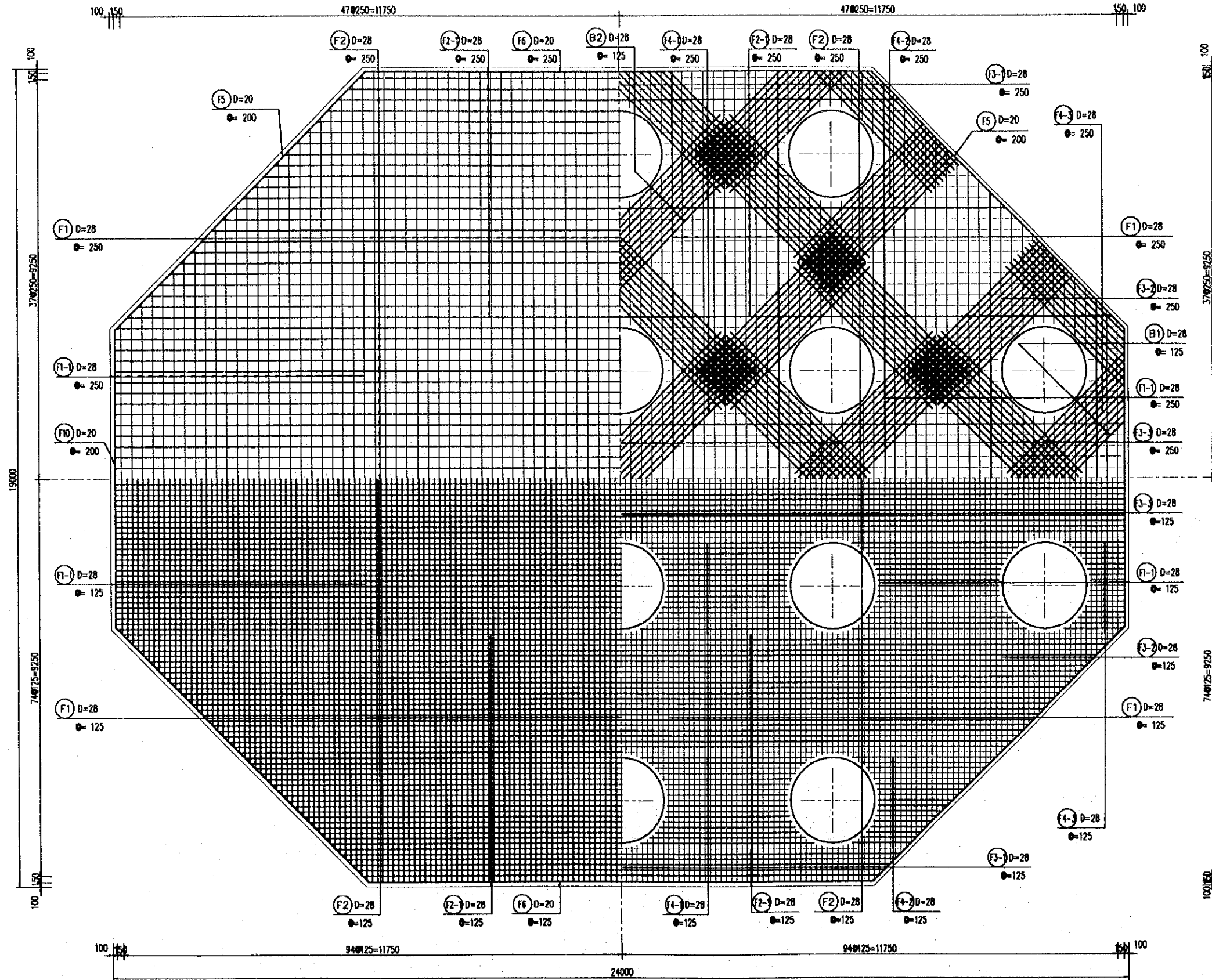
PROJECT NAME DETAILED DESIGN OF THE CAN THO BRIDGE CONSTRUCTION PROJECT	IMPLEMENTATION AGENCY  JAPAN INTERNATIONAL COOPERATION AGENCY (JICA)	EXECUTING AGENCY SOCIALIST REPUBLIC OF VIET NAM MINISTRY OF TRANSPORT (MOT) MY THUAN PROJECT MANAGEMENT UNIT	JICA STUDY TEAM  NIPPON KOEI CO.,LTD.	PREPARED BY NAME: S. Kiguchi SIGNATURE: <i>S. Kiguchi</i> DATE: 20/9/2000	CHECKED BY K. Matsumoto SIGNATURE: <i>K. Matsumoto</i> DATE: 29/9/2000	APPROVED BY K. Enomoto SIGNATURE: <i>K. Enomoto</i> DATE: 5/10/2000	DRAWING TITLE CABLE STAYED BRIDGE SUBSTRUCTURE REINFORCEMENT ARRANGEMENT OF PIER No.17 (SHEET 4/5)	DWG NO. PC/CS/4610
---	---	--	--	---	--	---	---	------------------------------

HALF SECTION 10 - 10

SCALE 1:100

HALF SECTION 11 - 11

SCALE 1:100

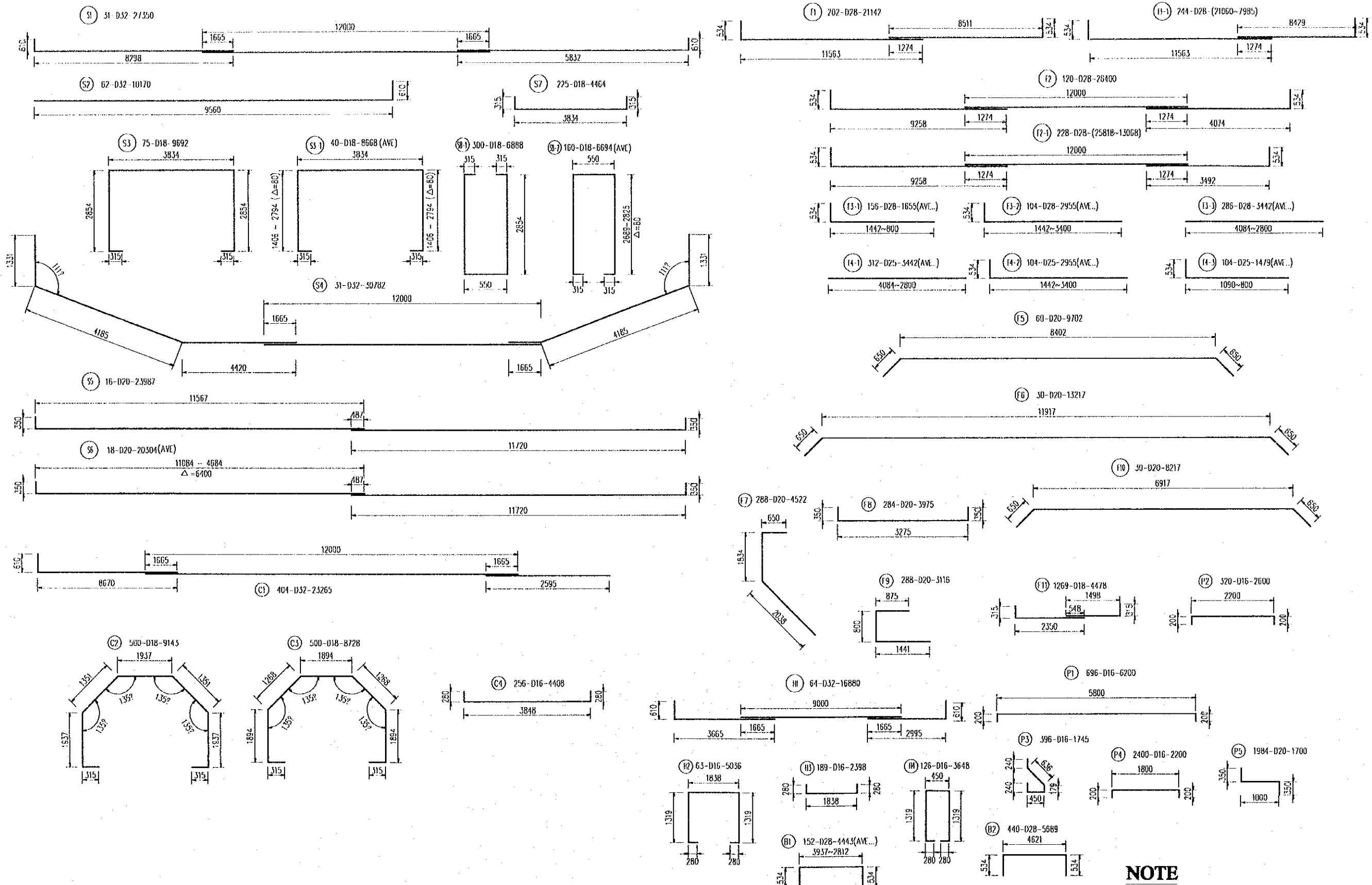


NOTE:

ALL DIMENSIONS ARE IN MILLIMETERS, UNLESS OTHERWISE INDICATED.

PROJECT NAME	IMPLEMENTATION AGENCY	EXECUTING AGENCY	JICA STUDY TEAM	PREPARED BY	CHECKED BY	APPROVED BY	DRAWING TITLE	DWG NO.
DETAILED DESIGN OF THE CAN THO BRIDGE CONSTRUCTION PROJECT	JICA JAPAN INTERNATIONAL COOPERATION AGENCY (JICA)	SOCIALIST REPUBLIC OF VIET NAM MINISTRY OF TRANSPORT (MOT) MY THUAN PROJECT MANAGEMENT UNIT	(NK) NIPPON KOEI CO.,LTD.	S. Kiguchi	K. Matsumoto	K. Enomoto	CABLE STAYED BRIDGE SUBSTRUCTURE REINFORCEMENT ARRANGEMENT OF PIER No.17 (SHEET 5/5)	PC/CS/4620
				DATE: 20/9/2000	DATE: 29/9/2000	DATE: 5/10/2000		

BAR BENDING SCHEDULE OF PIER No.17

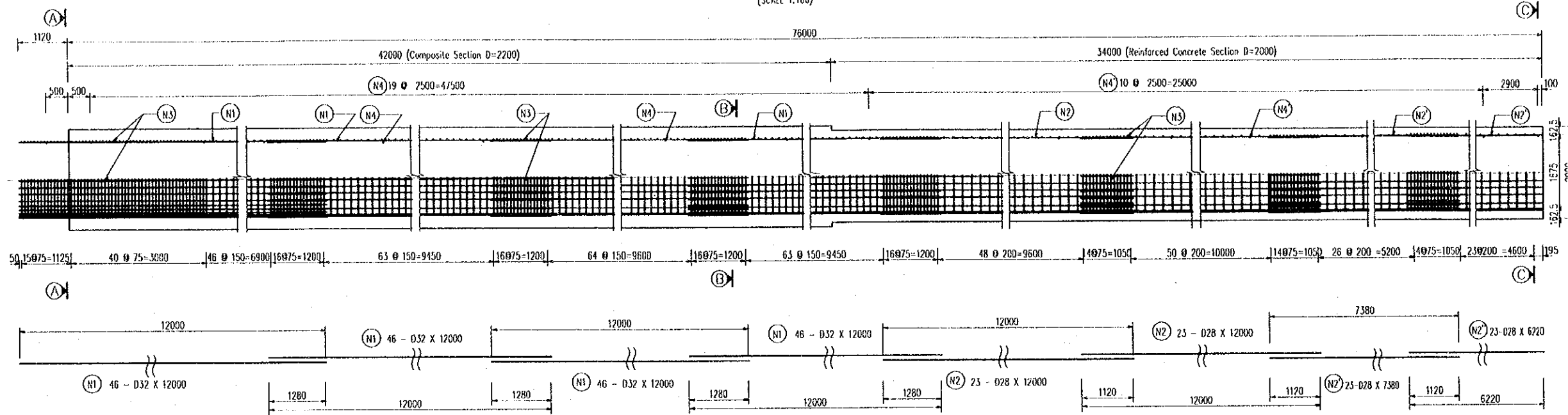


NOTE
ALL DIMENSIONS ARE IN MILLIMETER, UNLESS OTHERWISE INDICATED.

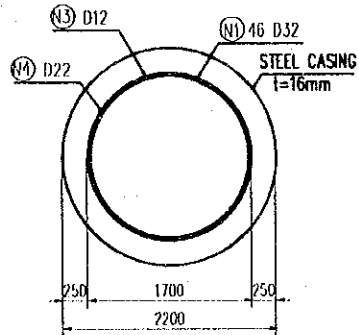
PROJECT NAME	IMPLEMENTATION AGENCY	EXECUTING AGENCY	JICA STUDY TEAM	PREPARED BY	CHECKED BY	APPROVED BY	DRAWING TITLE	DWG NO.
DETAILED DESIGN OF THE CAN THO BRIDGE CONSTRUCTION PROJECT	JAPAN INTERNATIONAL COOPERATION AGENCY (JICA)	SOCIALIST REPUBLIC OF VIET NAM MINISTRY OF TRANSPORT (MOT) MY THUAN PROJECT MANAGEMENT UNIT	NIPPON KOEI CO.,LTD.	S. Kiguchi <small>NAME</small> <small>SIGNATURE</small> <small>DATE</small> 20/9/2000	K. Matsumoto <small>NAME</small> <small>SIGNATURE</small> <small>DATE</small> 29/9/2000	K. Enomoto <small>NAME</small> <small>SIGNATURE</small> <small>DATE</small> 5/10/2000	CABLE STAYED BRIDGE SUBSTRUCTURE DETAILED REINFORCEMENT BARS OF PIER No.17	P2/CS/4630

BORED CAST-IN-SITU PILE DETAILS

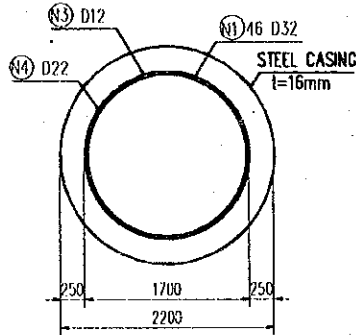
(SCALE 1:100)



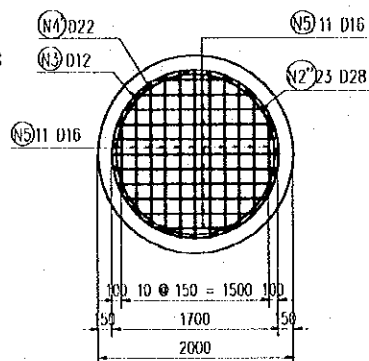
SECTION A-A
(SCALE 1:75)



SECTION B-B
(SCALE 1:75)

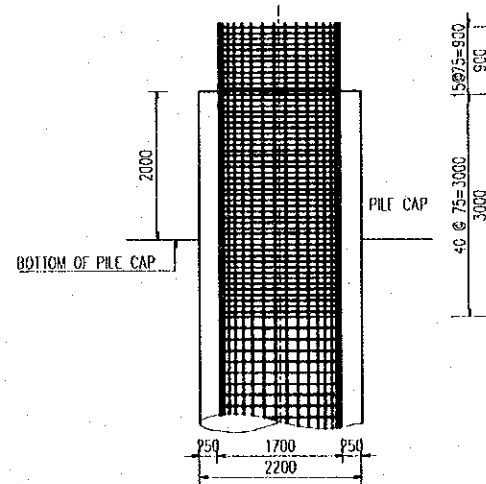


SECTION C-C
(SCALE 1:75)



DETAIL OF CONCRETE PILE H

(SCALE 1:100)

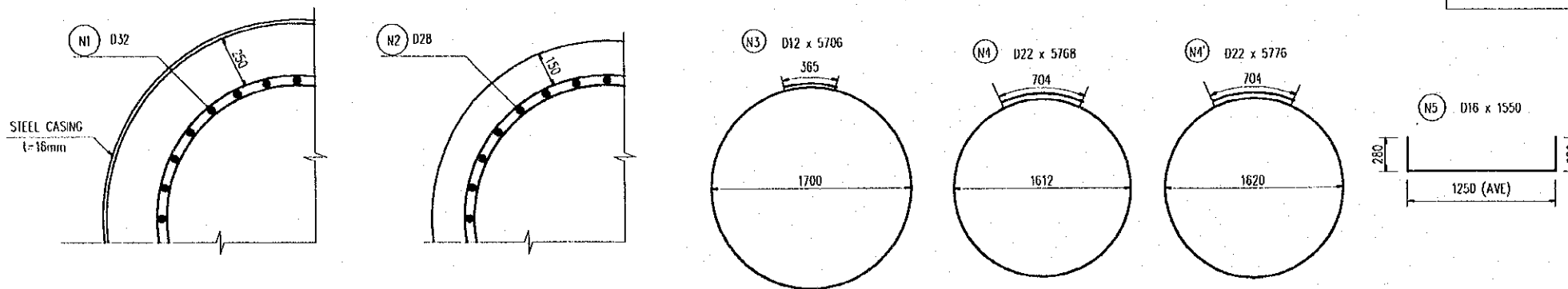


MATERIAL OF PILE

TYPE	D (mm)	LENGTH OF BAR (mm)	U.WEIGHT (kg/m)	NUMBER	WEIGHT (kg)	CONCRETE VOLUME (m ³)	
N1	32	12000	6.315	184	13939.10	266.5	
N2	28	12000	4.834	46	2668.57		
N2'	28	7380	4.834	23	820.52		
N2''	28	6220	4.834	23	691.55		
N3	12	5706	0.888	546	2766.54		
N4	22	5768	2.984	22	378.66		
N4'	22	5776	2.984	12	206.83		
N5	16	1550	1.578	22	53.81		
					D12		2766.5 KC
					D16		53.8 KC
					D22		585.7 KC
					D28		4180.4 KC
					D32		13939.1 KC
					STEEL PLATE t=16mm		36724.7 KC
					TOTAL		58250.2 KC

DETAIL OF COVERING

(SCALE 1:25)



NOTES

FOR STANDARD STRUCTURAL NOTES SEE DRAWING NO

PROJECT NAME DETAILED DESIGN OF THE CAN THO BRIDGE CONSTRUCTION PROJECT	IMPLEMENTATION AGENCY JICA JAPAN INTERNATIONAL COOPERATION AGENCY (JICA)	EXECUTING AGENCY SOCIALIST REPUBLIC OF VIET NAM MINISTRY OF TRANSPORT (MOT) MY THUAN PROJECT MANAGEMENT UNIT	JICA STUDY TEAM NIPPON KOEI CO.,LTD.	PREPARED BY NAME: S. Kiguchi SIGNATURE: <i>S. Kiguchi</i> DATE: 20/9/2000	CHECKED BY NAME: K. Matsumoto SIGNATURE: <i>K. Matsumoto</i> DATE: 29/9/2000	APPROVED BY NAME: K. Enomoto SIGNATURE: <i>K. Enomoto</i> DATE: 5/10/2000	DRAWING TITLE CABLE STAYED BRIDGE SUBSTRUCTURE PIER No.17 BORED CAST-IN-SITU PILE Ø2000mm, L=76.0m	DWG NO. P2/CS/4640
---	---	--	--	---	--	---	---	------------------------------