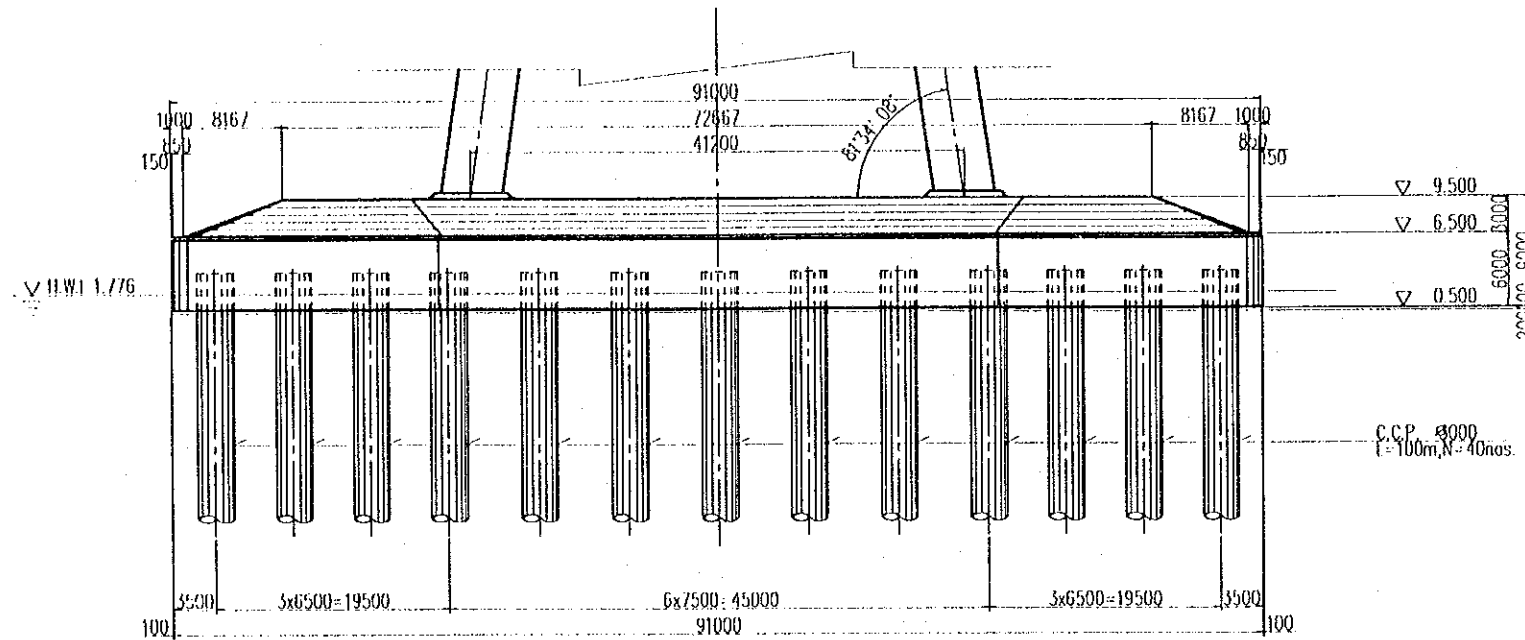


V. SUBSTRUCTURE

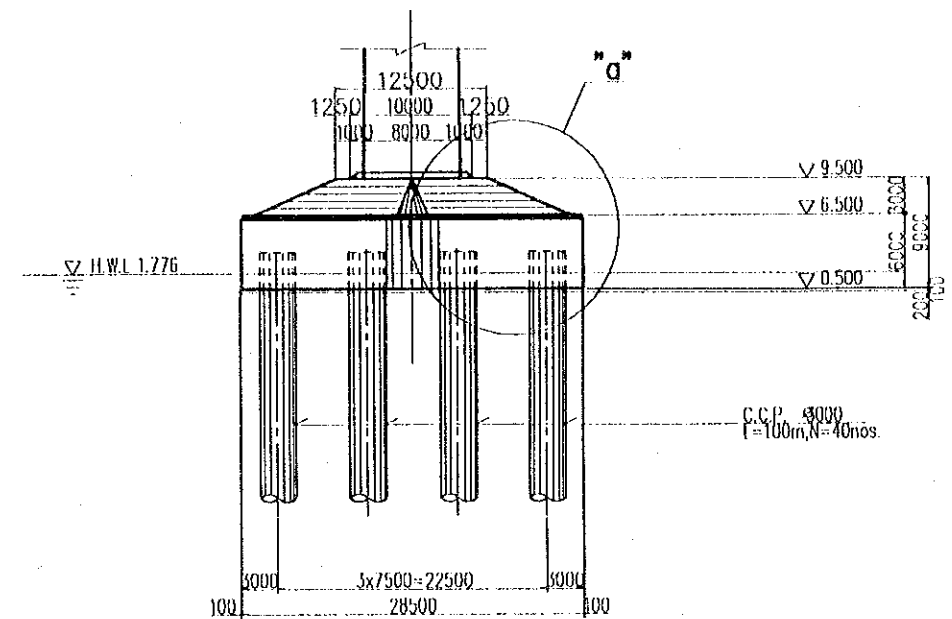
NORTHERN PYLON

SCALE 1:600

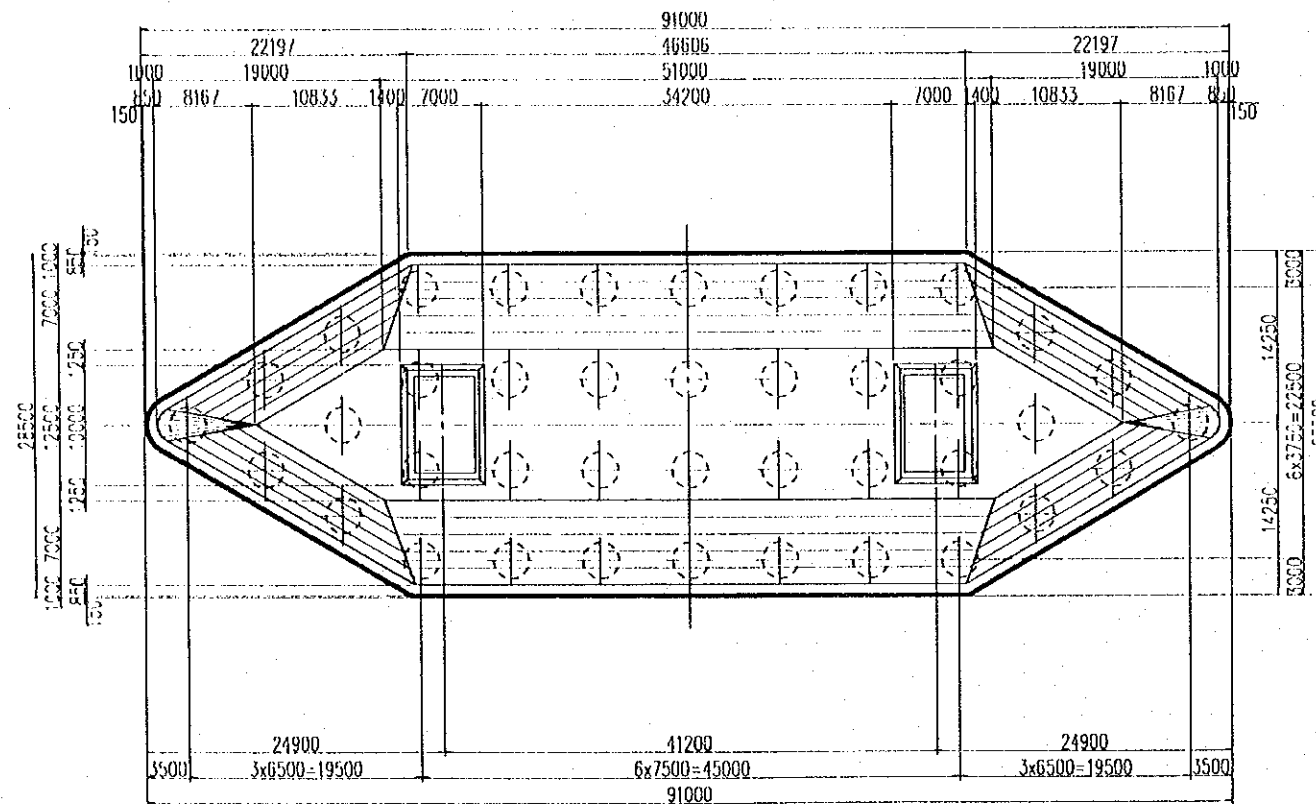
FRONT ELEVATION



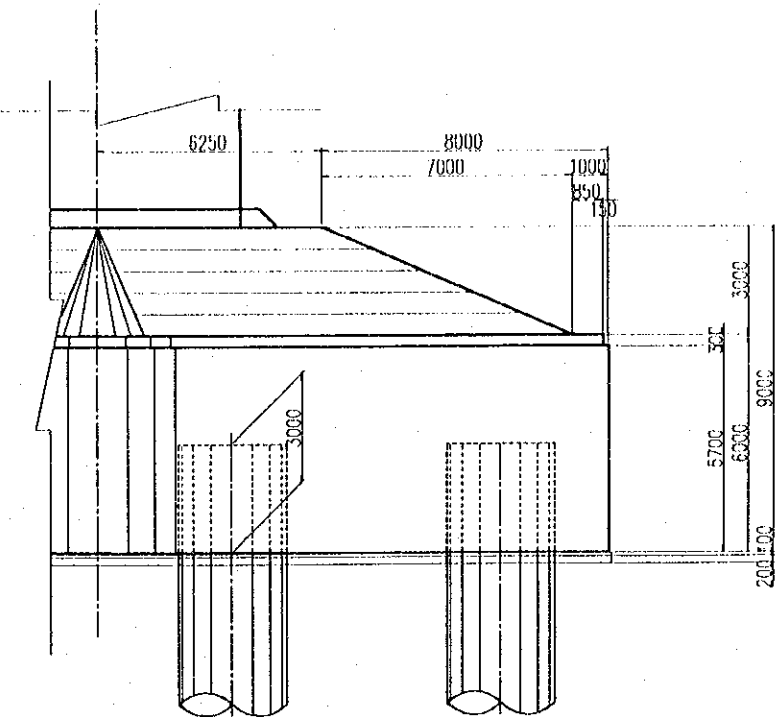
SIDE ELEVATION



PLAN



DETAIL "a" SCALE 1:200

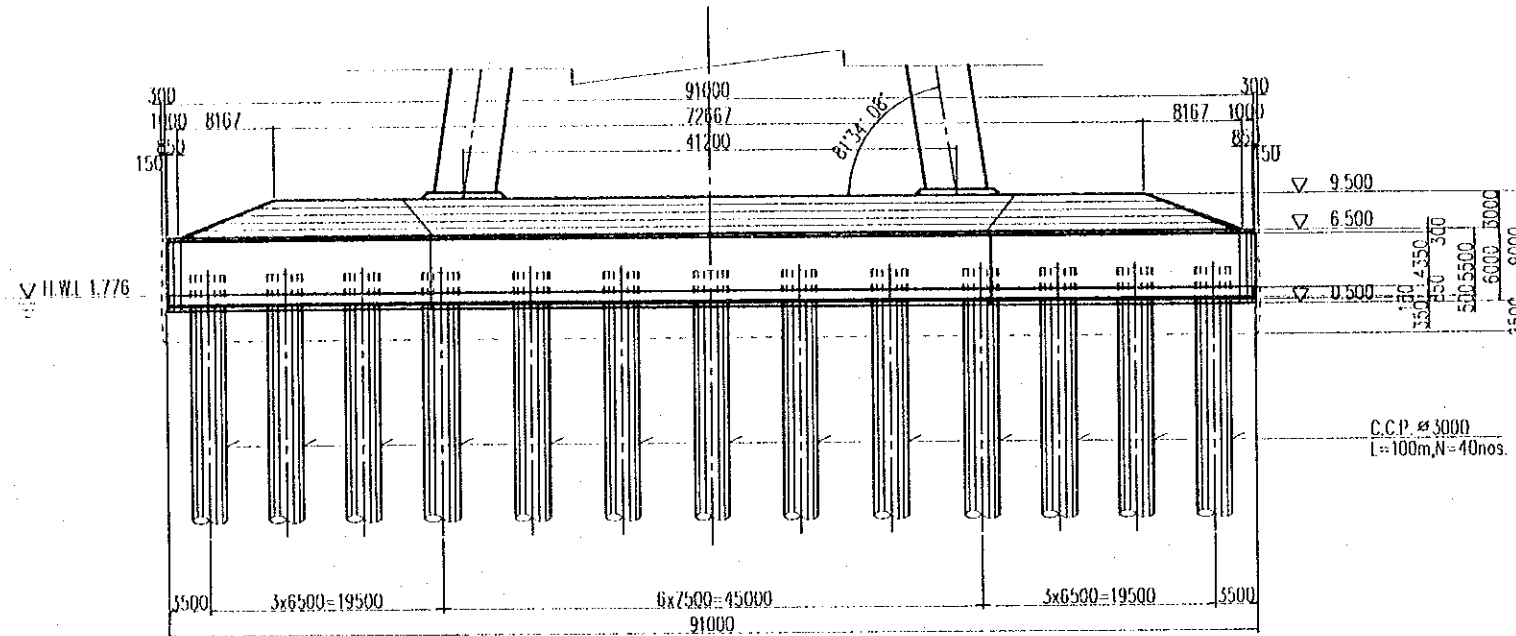


| PROJECT NAME | IMPLEMENTATION AGENCY | EXECUTING AGENCY | JICA STUDY TEAM | PREPARED BY | CHECKED BY | APPROVED BY | DRAWING TITLE | DWG NO. |
|--|---|---|-----------------------|---|---|---|--|------------|
| DETAILED DESIGN OF THE CAN THO BRIDGE CONSTRUCTION PROJECT | JICA JAPAN INTERNATIONAL COOPERATION AGENCY (JICA) | SOCIALIST REPUBLIC OF VIET NAM MINISTRY OF TRANSPORT (MOT) MY THUAN PROJECT MANAGEMENT UNIT | NIPPON KOEI CO., LTD. | NAME: S. Kiguchi SIGNATURE: <i>S. Kiguchi</i> DATE: 20/9/2000 | NAME: K. Matsumoto SIGNATURE: <i>K. Matsumoto</i> DATE: 29/9/2000 | NAME: K. Enomoto SIGNATURE: <i>K. Enomoto</i> DATE: 5/10/2000 | CABLE STAYED BRIDGE SUB STRUCTURE PILE CAP OF NORTHERN PYLON | P2/CS/4010 |

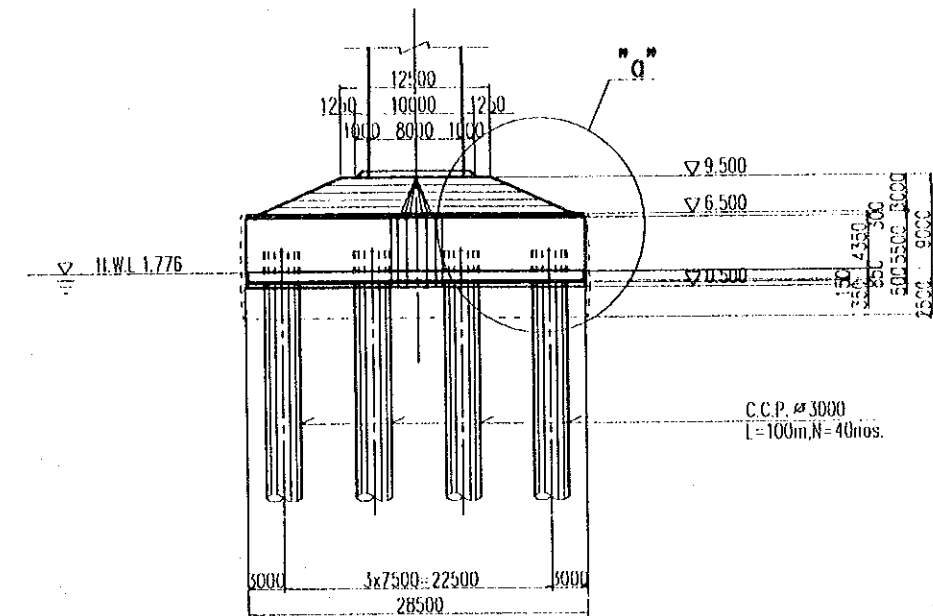
SOUTHERN PYLON (1)

SCALE 1:600

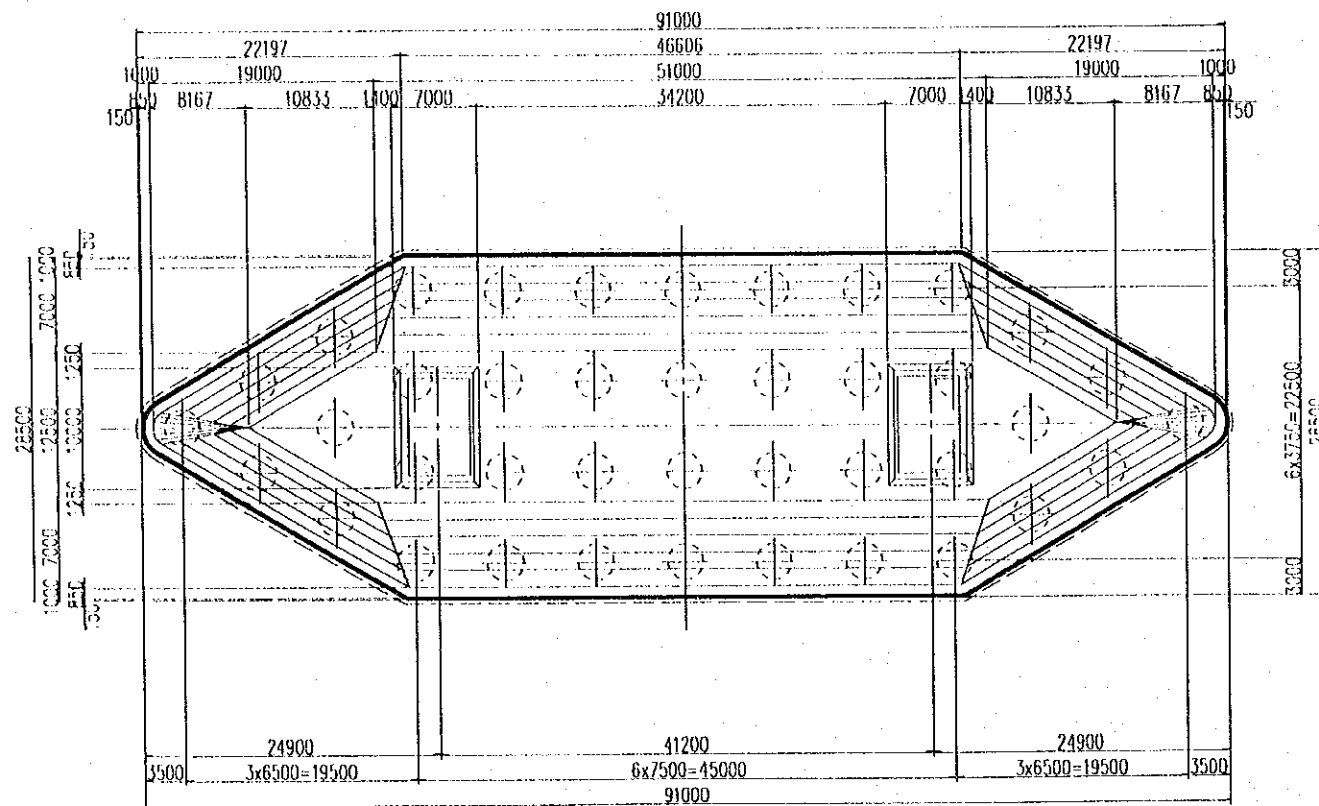
FRONT ELEVATION



SIDE ELEVATION

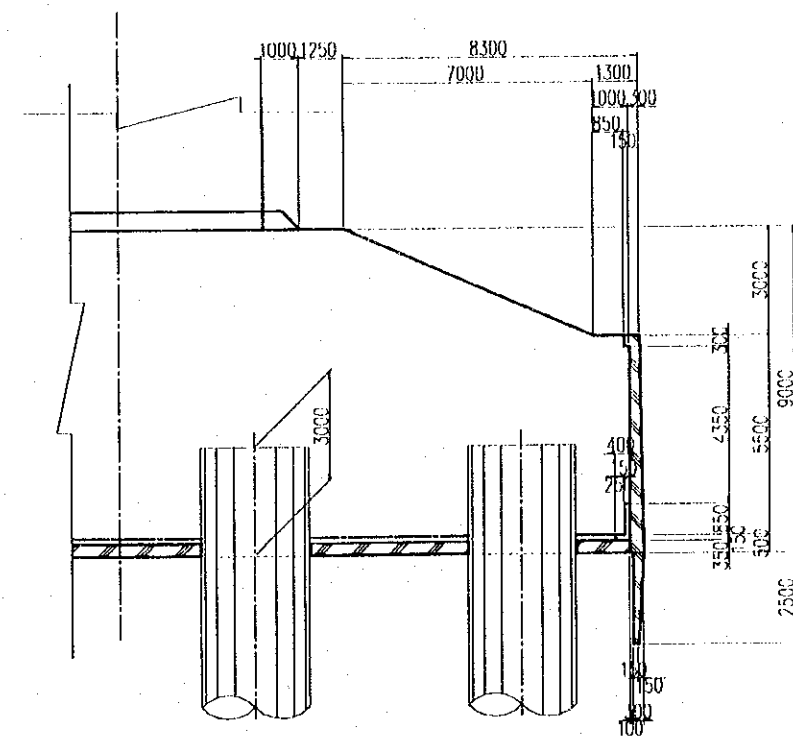


PLAN



DETAIL "a"

SCALE 1:200

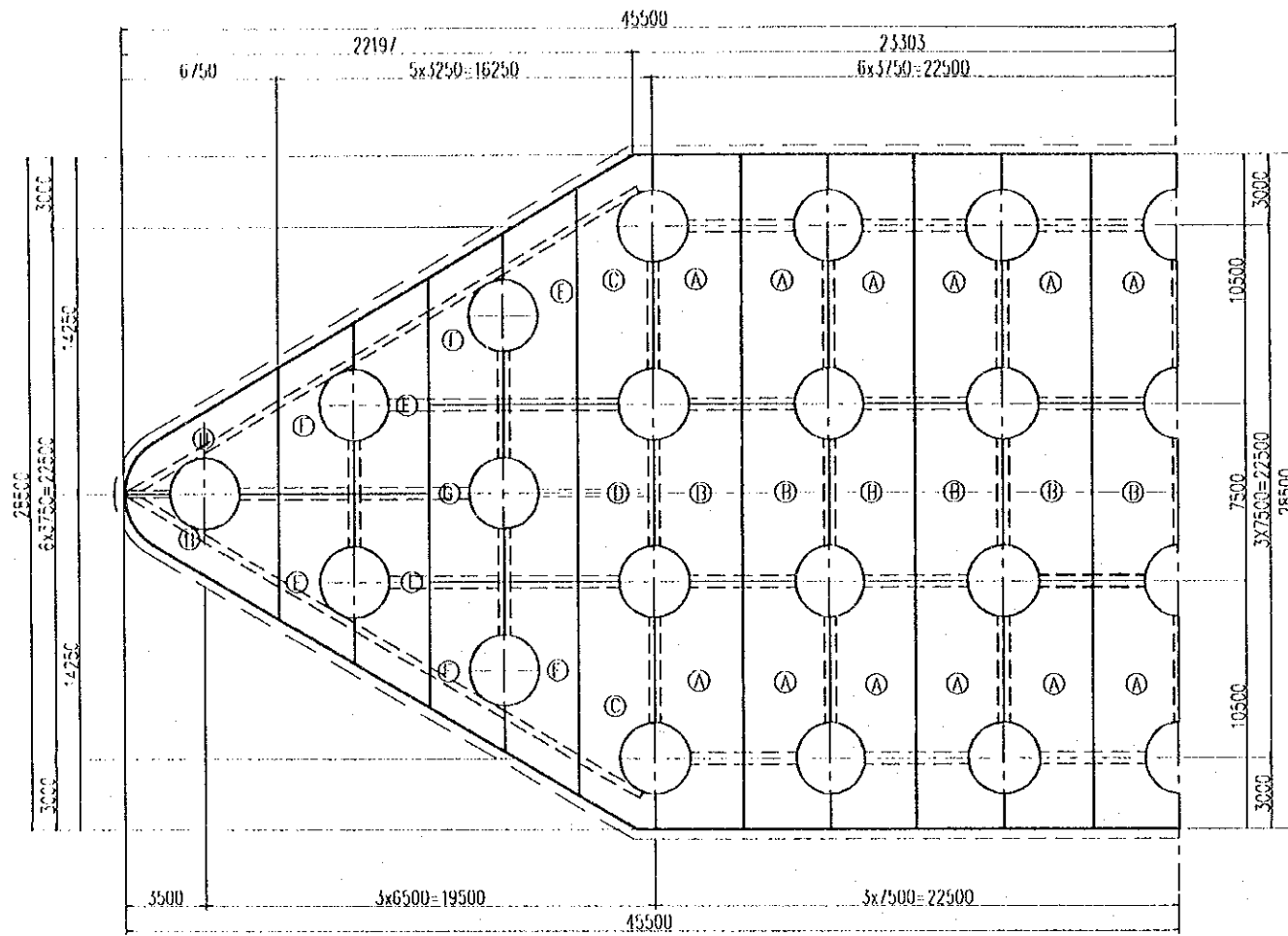


| | | | | | | | | | |
|---|---|---|--|------------------|-------------------|---------------------|-------------------|--|------------------------------|
| PROJECT NAME DETAILED DESIGN OF THE CAN THO BRIDGE CONSTRUCTION PROJECT | IMPLEMENTATION AGENCY JAPAN INTERNATIONAL COOPERATION AGENCY (JICA) | EXECUTING AGENCY SOCIALET REPUBLIC OF VIET NAM MINISTRY OF TRANSPORT (MOT) MY THUAN PROJECT MANAGEMENT UNIT | JICA STUDY TEAM NIPPON KOEI CO.,LTD. | NAME | S. Kiguchi | K. Matsumoto | K. Enomoto | DRAWING TITLE CABLE STAYED BRIDGE SUB STRUCTURE PILE CAP OF SOUTHERN PYLON (1) | DWG NO. P2/CS/4020 |
| | | | | SIGNATURE | <i>S. Kiguchi</i> | <i>K. Matsumoto</i> | <i>K. Enomoto</i> | | |
| | | | | DATE | 20/9/2000 | 29/9/2000 | 5/10/2000 | | |
| | | | | | | | | | |

SOUTHERN PYLON (2)

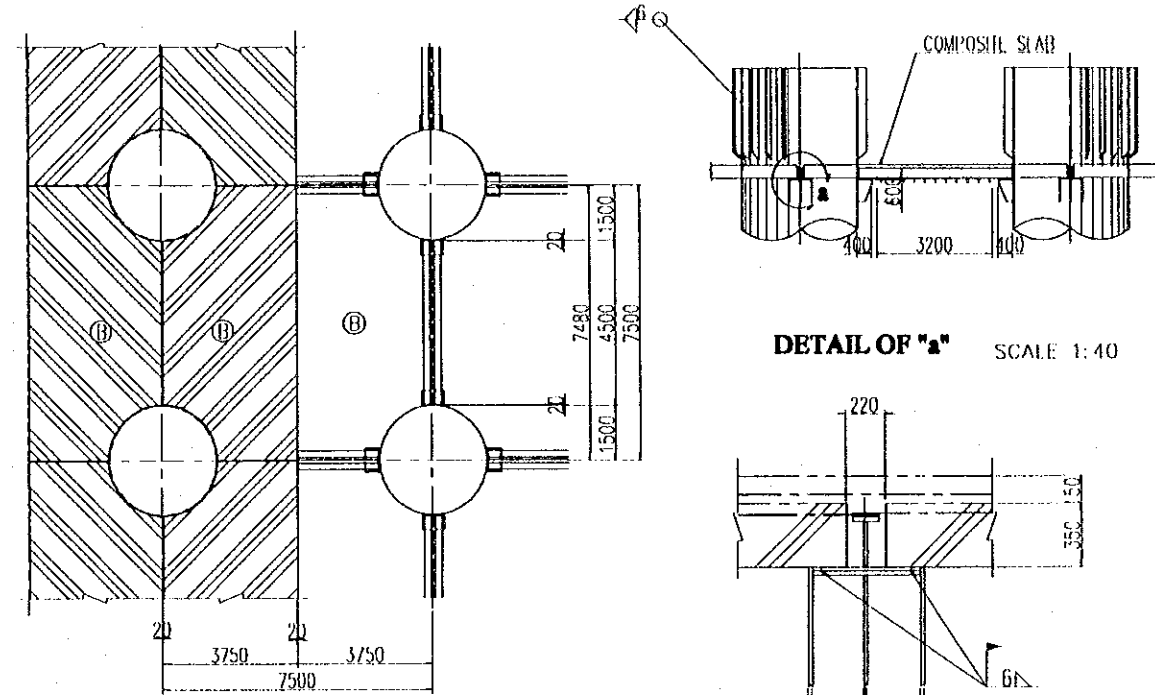
ARRANGEMENT OF PRECAST SLAB

SCALE 1:300



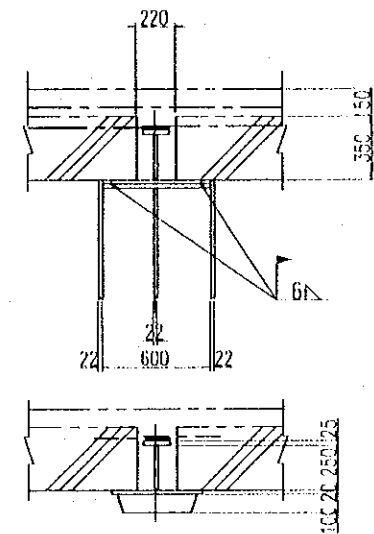
DETAIL OF SUPPORTING STRUCTURE

SCALE 1:200



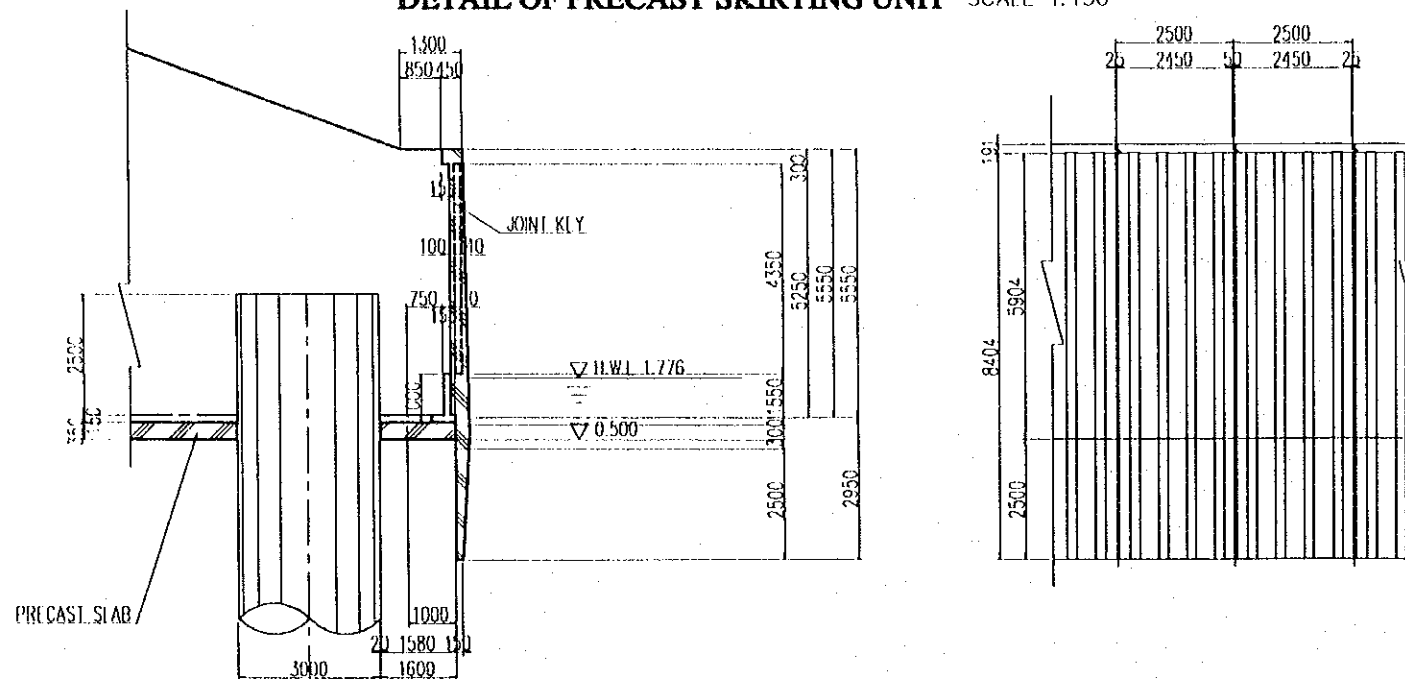
DETAIL OF "a"

SCALE 1:40



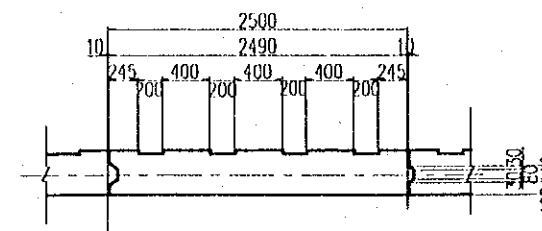
DETAIL OF PRECAST SKIRTING UNIT

SCALE 1:150



DETAIL OF SECTION

SCALE 1:60

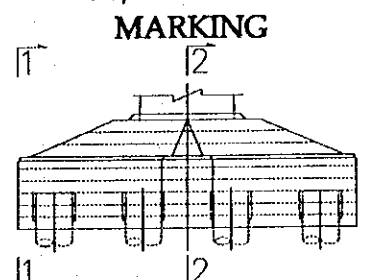
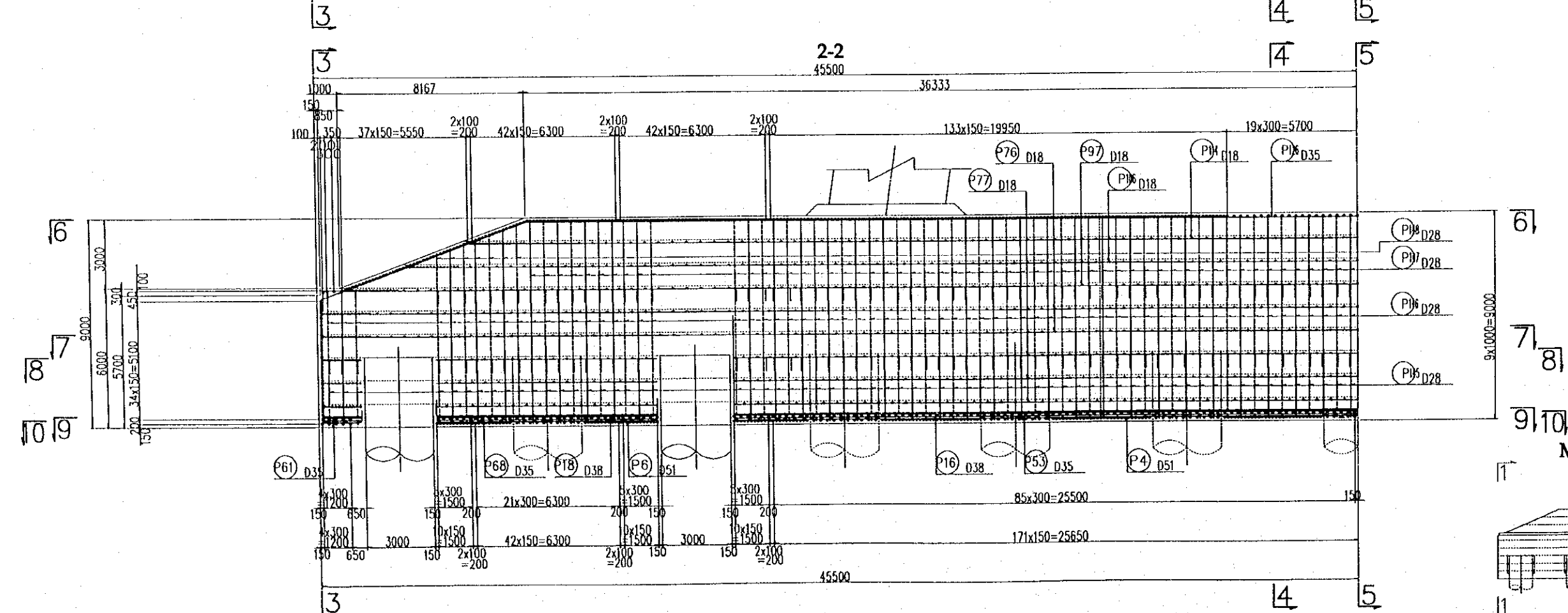
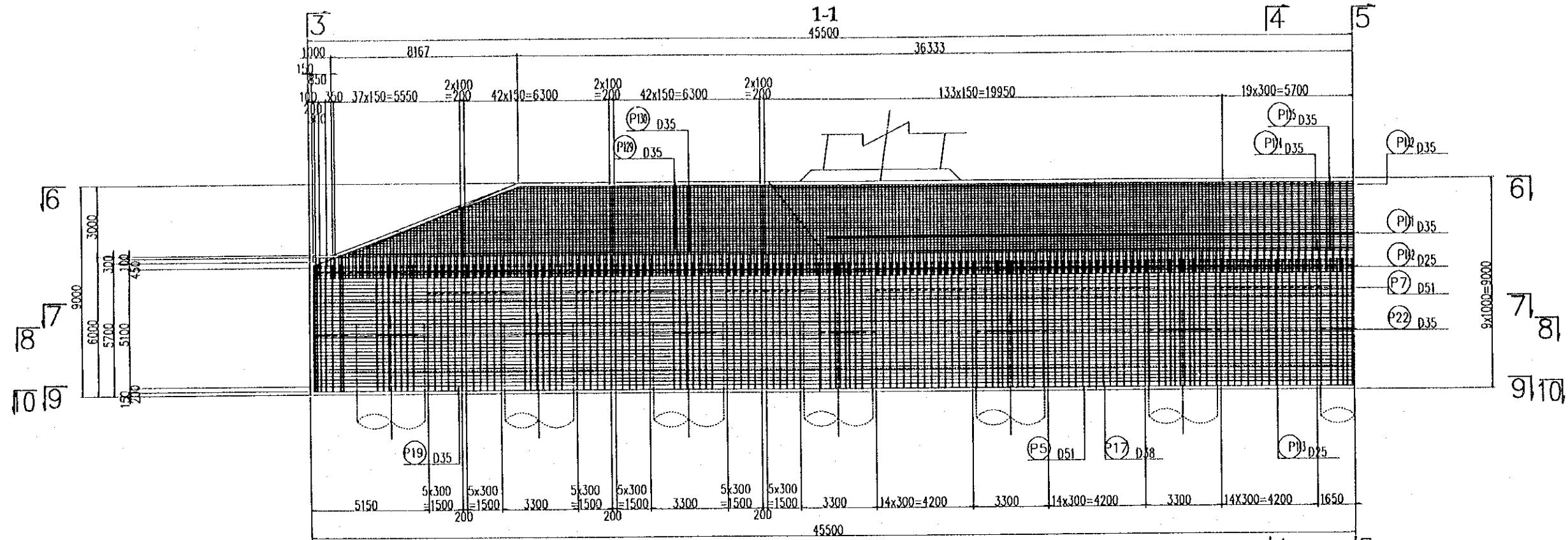


NOTE:

1. All materials of supporting steel shall be SS400 unless otherwise indicated.
2. Re-Bar arrangement of skirting unit shall be approved by the Engineer

| PROJECT NAME | IMPLEMENTATION AGENCY | EXECUTING AGENCY | JICA STUDY TEAM | PREPARED BY | CHECKED BY | APPROVED BY | DRAWING TITLE | DWG NO. |
|--|---|---|----------------------|---|---|---|--|------------|
| DETAILED DESIGN OF THE CAN THO BRIDGE CONSTRUCTION PROJECT | JICA JAPAN INTERNATIONAL COOPERATION AGENCY (JICA) | SOCIALIST REPUBLIC OF VIET NAM MINISTRY OF TRANSPORT (MOT) MY THUAN PROJECT MANAGEMENT UNIT | NIPPON KOEI CO.,LTD. | NAME: S. Kiguchi SIGNATURE: <i>S. Kiguchi</i> DATE: 20/9/2000 | NAME: K. Matsumoto SIGNATURE: <i>K. Matsumoto</i> DATE: 29/9/2000 | NAME: K. Enomoto SIGNATURE: <i>K. Enomoto</i> DATE: 5/10/2000 | CABLE STAYED BRIDGE SUB STRUCTURE PILE CAP OF SOUTHERN PYLON (2) | P2/CS/4030 |

NORTHERN PYLON SCALE 1:200

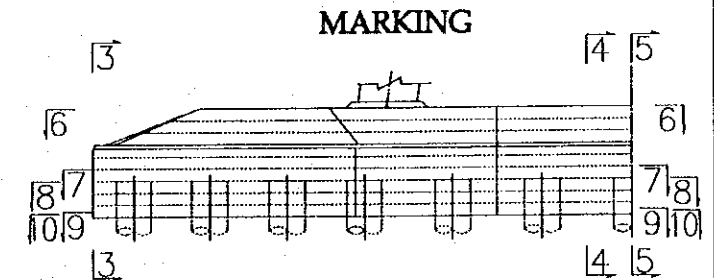
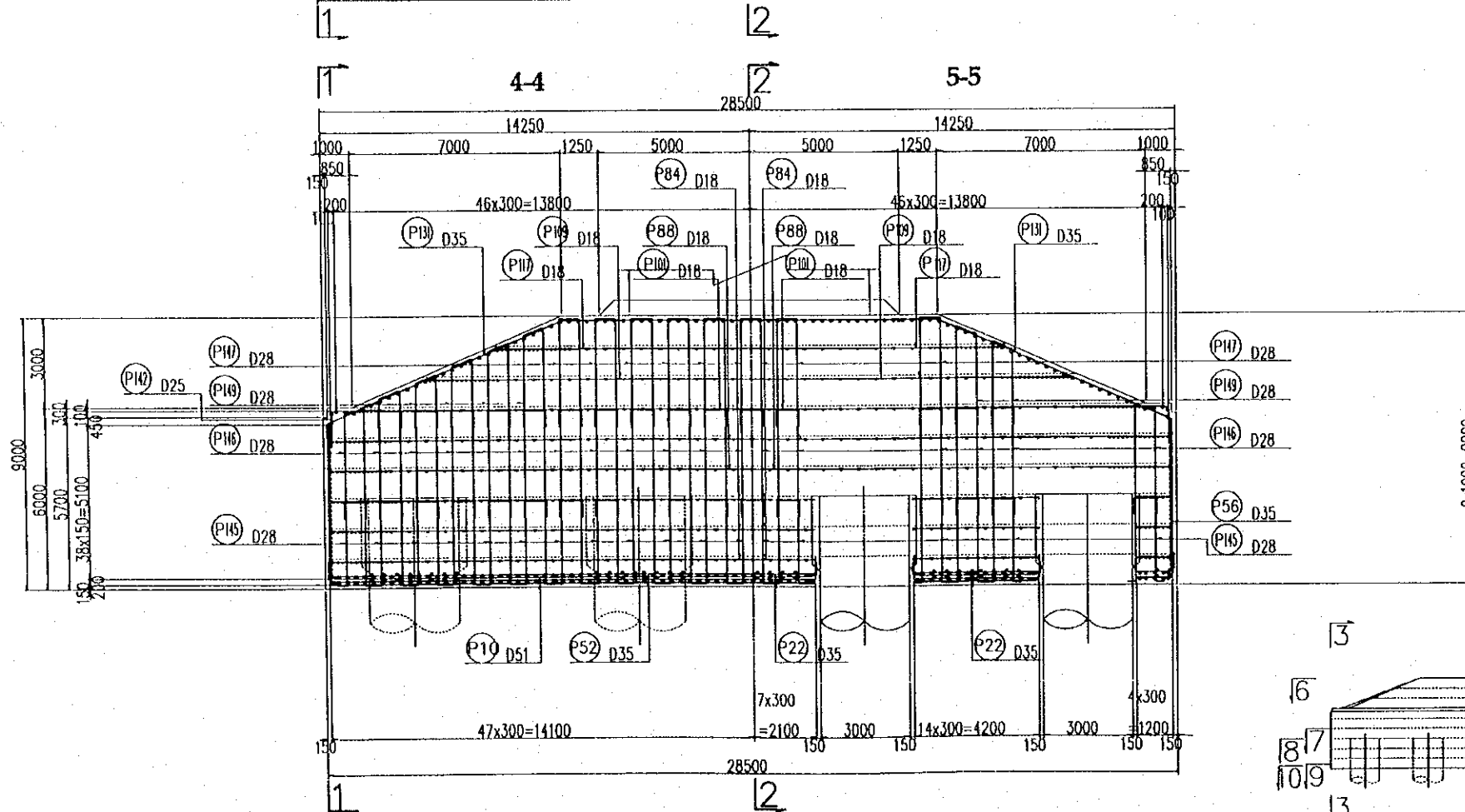
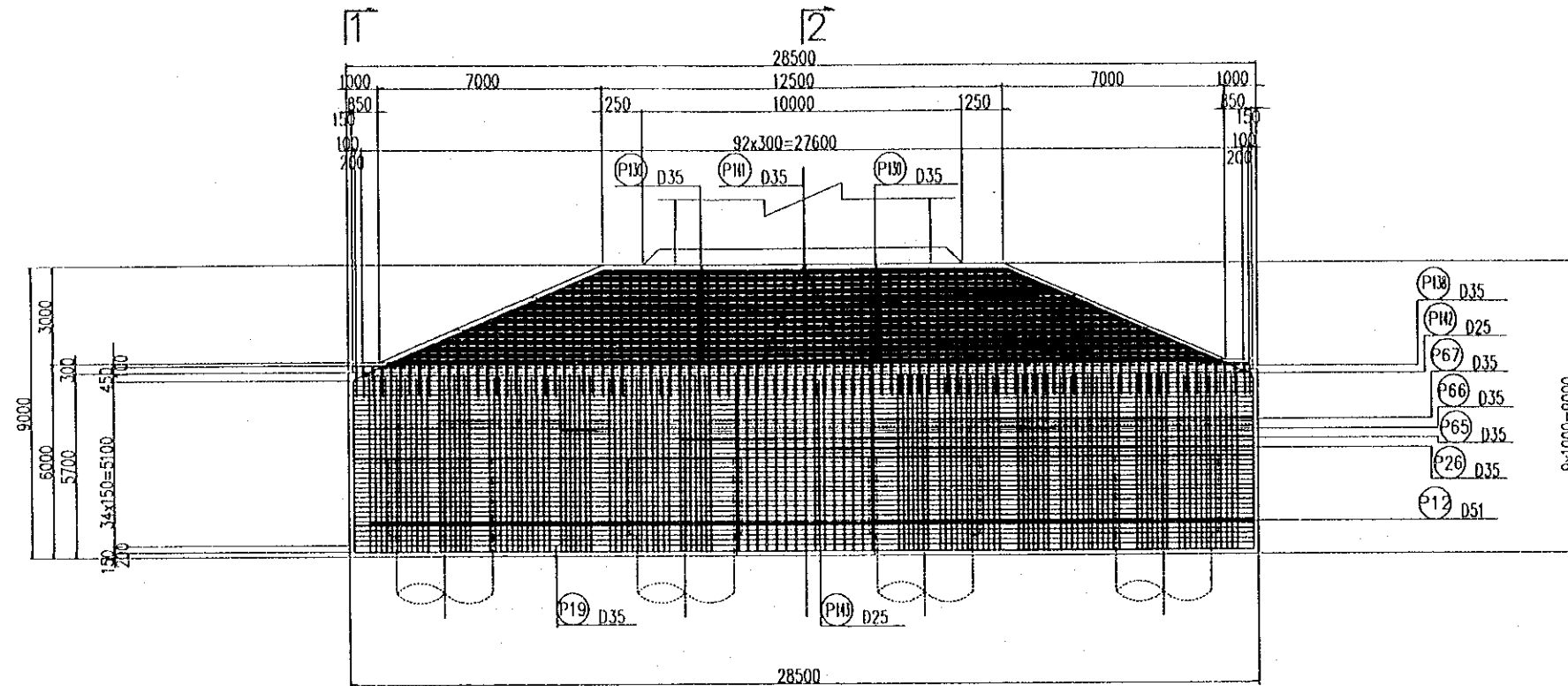


| | | | | | | | | |
|---|---|--|--|---|--|---|--|------------------------------|
| PROJECT NAME DETAILED DESIGN OF THE CAN THO BRIDGE CONSTRUCTION PROJECT | IMPLEMENTATION AGENCY JAPAN INTERNATIONAL COOPERATION AGENCY (JICA) | EXECUTING AGENCY SOCIALIST REPUBLIC OF VIET NAM MINISTRY OF TRANSPORT (MOT) MY THUAN PROJECT MANAGEMENT UNIT | JICA STUDY TEAM NIPPON KORI CO.,LTD. | PREPARED BY NAME: S. Kiguchi SIGNATURE: <i>S. Kiguchi</i> DATE: 20/9/2000 | CHECKED BY K. Matsumoto SIGNATURE: <i>K. Matsumoto</i> DATE: 29/9/2000 | APPROVED BY K. Enomoto SIGNATURE: <i>K. Enomoto</i> DATE: 5/10/2000 | DRAWING TITLE CABLE STAYED BRIDGE SUB STRUCTURE BAR ARRANGEMENT OF Pylon CAP (1) | DWG NO. P2/CS/4040 |
|---|---|--|--|---|--|---|--|------------------------------|

NORTHERN PYLON

SCALE 1:200

3-3



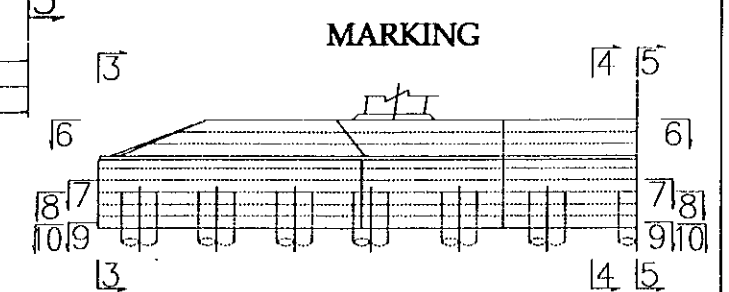
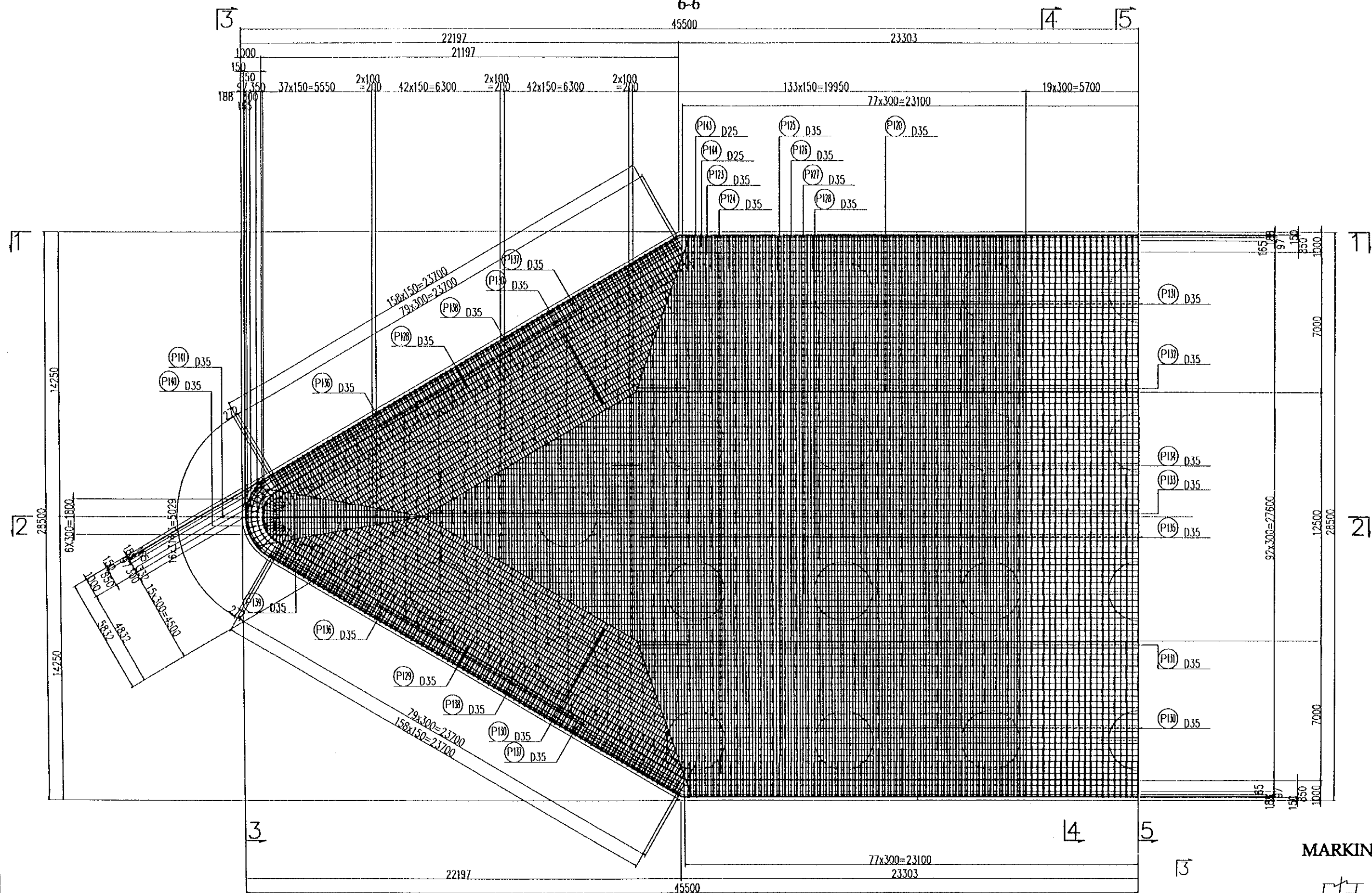
| PROJECT NAME | IMPLEMENTATION AGENCY | EXECUTING AGENCY | JICA STUDY TEAM | PREPARED BY | CHECKED BY | APPROVED BY | DRAWING TITLE | DWG NO. |
|--|---|---|-------------------------------|---|---|---|---|------------|
| DETAILED DESIGN OF THE CAN THO BRIDGE CONSTRUCTION PROJECT | JICA JAPAN INTERNATIONAL COOPERATION AGENCY (JICA) | SOCIALIST REPUBLIC OF VIET NAM MINISTRY OF TRANSPORT (MOT) MY THUAN PROJECT MANAGEMENT UNIT | (NK) NIPPON KOEI CO., LTD. | NAME S. Kiguchi SIGNATURE <i>S. Kiguchi</i> DATE 20/9/2000 | NAME K. Matsumoto SIGNATURE <i>K. Matsumoto</i> DATE 29/9/2000 | NAME K. Enomoto SIGNATURE <i>K. Enomoto</i> DATE 5/10/2000 | CABLE STAYED BRIDGE SUB STRUCTURE BAR ARRANGEMENT OF PILE CAP (2) | P2/CS/4050 |

NORTHERN PYLON

SCALE 1:200

6-6

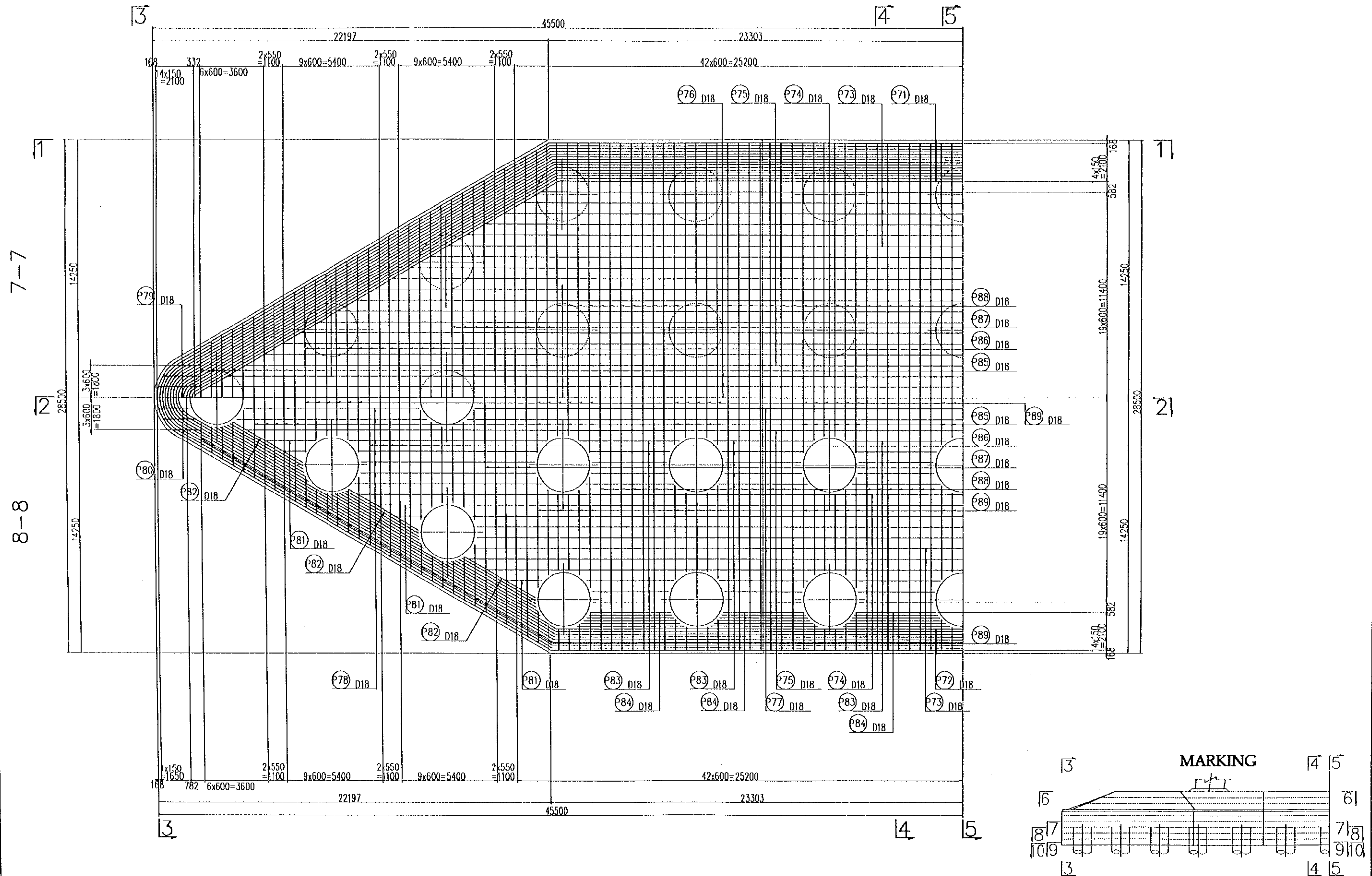
45500



| PROJECT NAME | IMPLEMENTATION AGENCY | EXECUTING AGENCY | JICA STUDY TEAM | PREPARED BY | CHECKED BY | APPROVED BY | DRAWING TITLE | DWG NO. |
|--|---|---|---------------------------|---|---|---|---|------------|
| DETAILED DESIGN OF THE CAN THO BRIDGE CONSTRUCTION PROJECT | JICA JAPAN INTERNATIONAL COOPERATION AGENCY (JICA) | SOCIALIST REPUBLIC OF VIET NAM MINISTRY OF TRANSPORT (MOT) MY THUAN PROJECT MANAGEMENT UNIT | (NK) NIPPON KOEI CO.,LTD. | NAME S. Kiguchi SIGNATURE <i>S. Kiguchi</i> DATE 20/9/2000 | NAME K. Matsumoto SIGNATURE <i>K. Matsumoto</i> DATE 29/9/2000 | NAME K. Enomoto SIGNATURE <i>K. Enomoto</i> DATE 5/10/2000 | CABLE STAYED BRIDGE SUB STRUCTURE BAR ARRANGEMENT OF PILE CAP (3) | P2/CS/4060 |

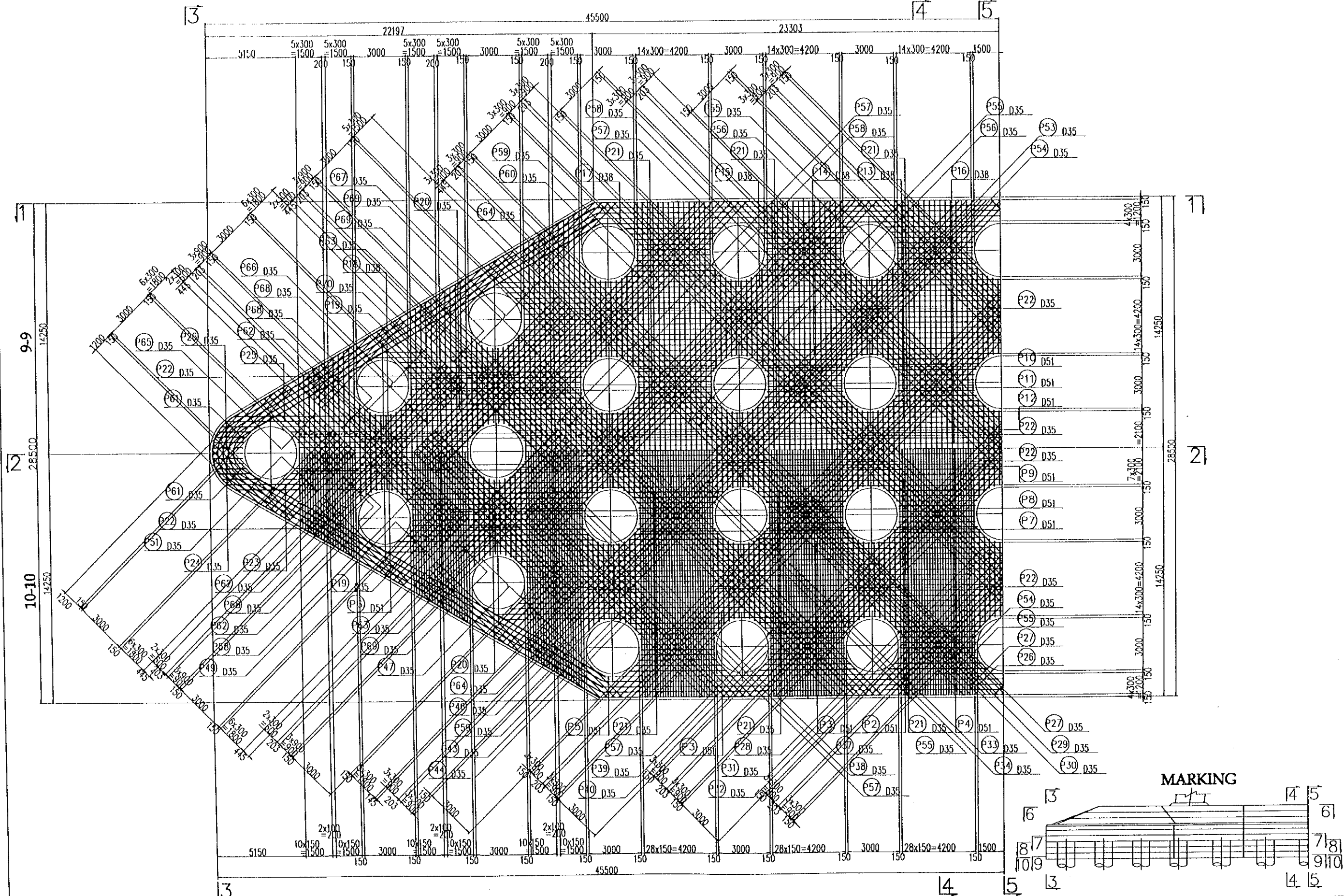
NORTHERN PYLON

SCALE 1:200



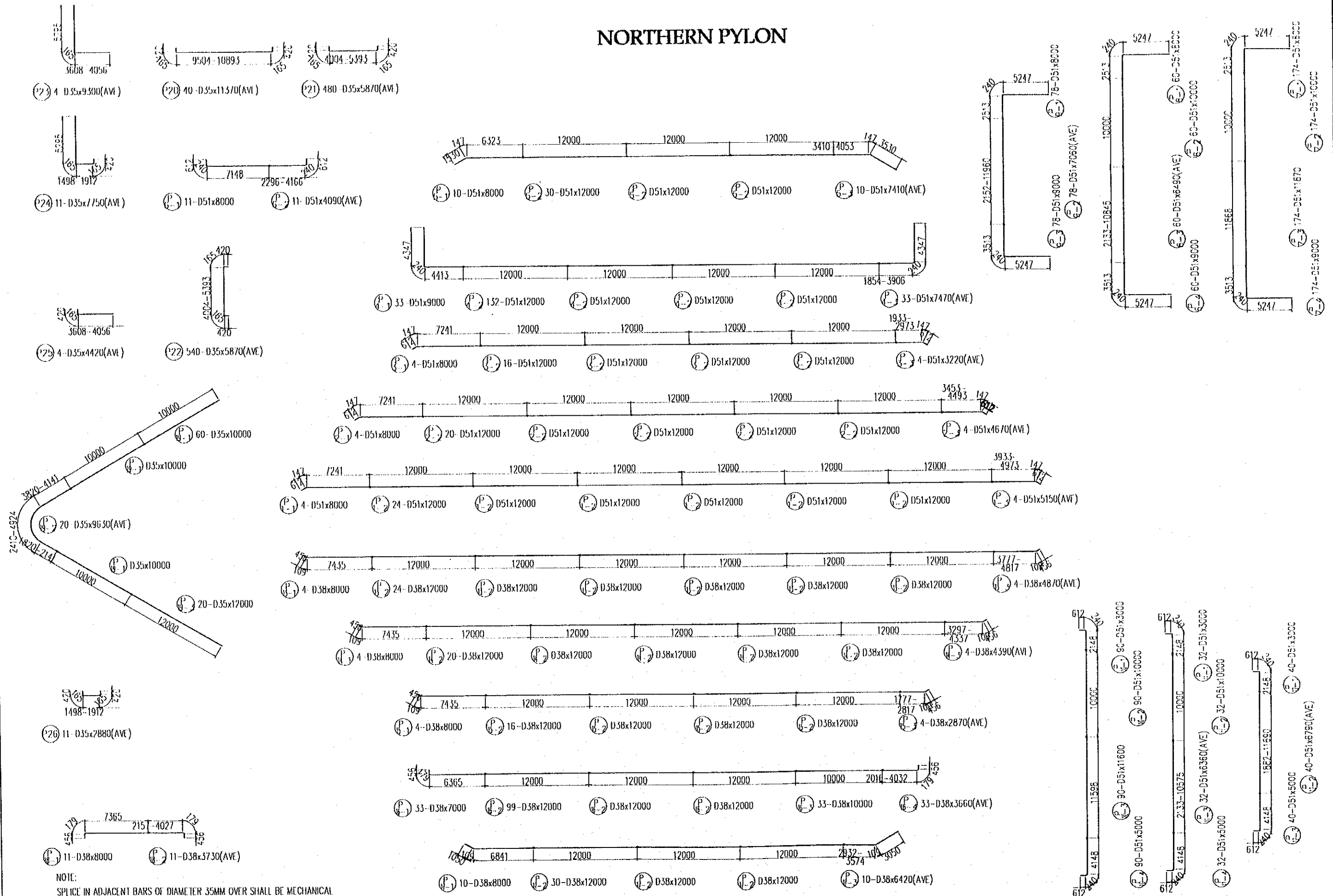
| PROJECT NAME | IMPLEMENTATION AGENCY | EXECUTING AGENCY | JICA STUDY TEAM | PREPARED BY | CHECKED BY | APPROVED BY | DRAWING TITLE | DWG NO. |
|--|---|---|---------------------------|---|---|---|---|------------|
| DETAILED DESIGN OF THE CAN THO BRIDGE CONSTRUCTION PROJECT | JICA JAPAN INTERNATIONAL COOPERATION AGENCY (JICA) | SOCIALIST REPUBLIC OF VIET NAM MINISTRY OF TRANSPORT (MOT) MY THUAN PROJECT MANAGEMENT UNIT | (NK) NIPPON KOEI CO.,LTD. | NAME: S. Kiguchi SIGNATURE: <i>S. Kiguchi</i> DATE: 20/9/2000 | NAME: K. Matsumoto SIGNATURE: <i>K. Matsumoto</i> DATE: 29/9/2000 | NAME: K. Enomoto SIGNATURE: <i>K. Enomoto</i> DATE: 5/10/2000 | CABLE STAYED BRIDGE SUB STRUCTURE BAR ARRANGEMENT OF PILE CAP (4) | P2/CS/4070 |

NORTHERN PYLON SCALE 1:200



| PROJECT NAME | IMPLEMENTATION AGENCY | EXECUTING AGENCY | JICA STUDY TEAM | PREPARED BY | CHECKED BY | APPROVED BY | DRAWING TITLE | DWG NO. |
|--|---|---|----------------------------|---|---|---|---|------------|
| DETAILED DESIGN OF THE CAN THO BRIDGE CONSTRUCTION PROJECT | JICA JAPAN INTERNATIONAL COOPERATION AGENCY (JICA) | SOCIALIST REPUBLIC OF VIET NAM MINISTRY OF TRANSPORT (MOT) MY THUAN PROJECT MANAGEMENT UNIT | (NK) NIPPON KOEI CO., LTD. | NAME: S. Kiguchi SIGNATURE: <i>S. Kiguchi</i> DATE: 20/9/2000 | NAME: K. Matsumoto SIGNATURE: <i>K. Matsumoto</i> DATE: 29/9/2000 | NAME: K. Enomoto SIGNATURE: <i>K. Enomoto</i> DATE: 3/10/2000 | CABLE STAYED BRIDGE SUB STRUCTURE BAR ARRANGEMENT OF PILE CAP (5) | P2/CS/4080 |

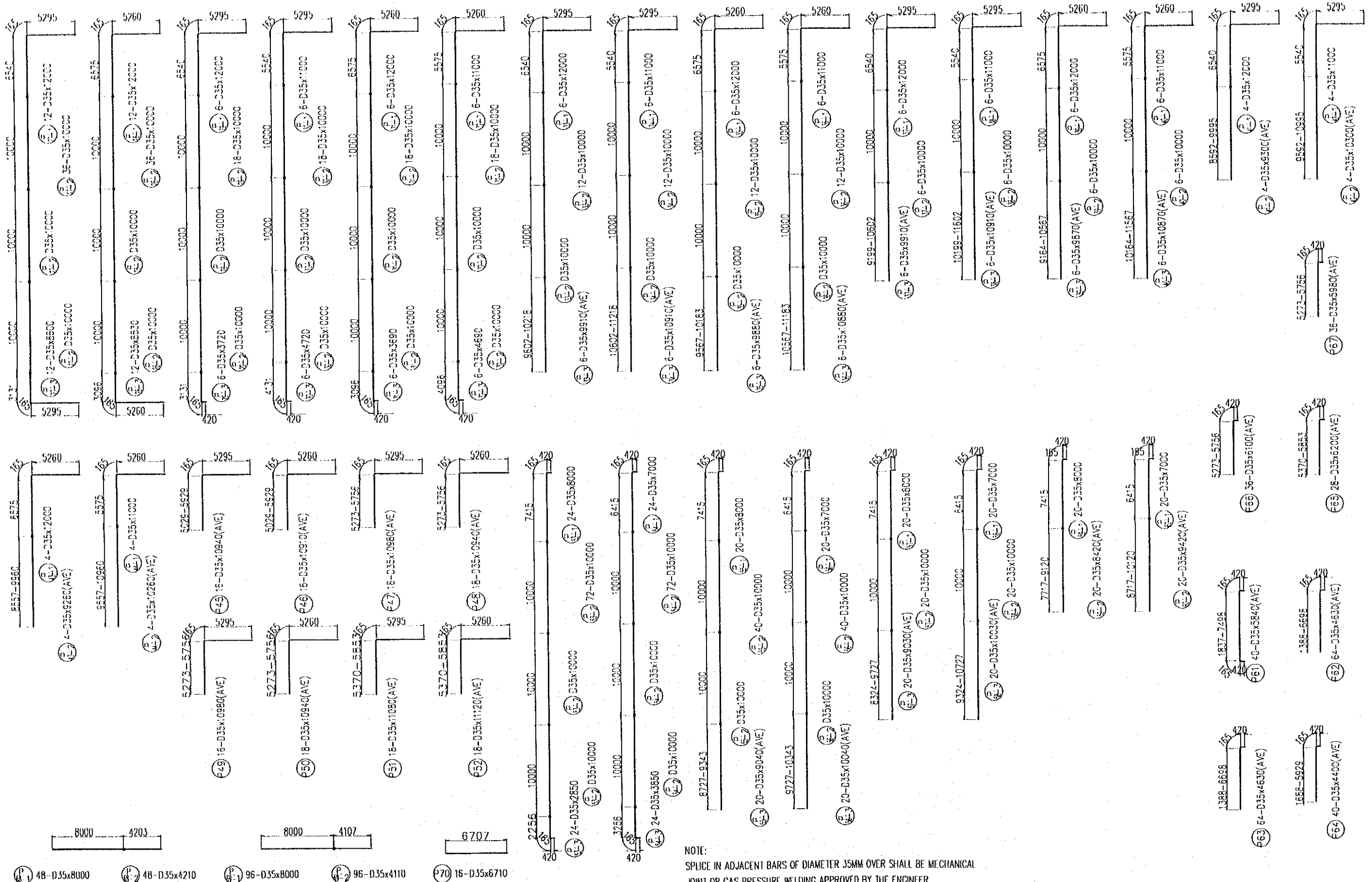
NORTHERN PYLON



NOTE:
 SPLICE IN ADJACENT BARS OF DIAMETER 35MM OVER SHALL BE MECHANICAL
 JOINT OR GAS PRESSURE WELDING APPROVED BY THE ENGINEER.

| PROJECT NAME | IMPLEMENTATION AGENCY | EXECUTING AGENCY | JICA STUDY TEAM | PREPARED BY | CHECKED BY | APPROVED BY | DRAWING TITLE | DWG NO. |
|--|--|---|----------------------------|-----------------------|-------------------------|-----------------------|---|------------|
| DETAILED DESIGN OF THE CAN THO BRIDGE CONSTRUCTION PROJECT | JICA JAPAN INTERNATIONAL COOPERATION AGENCY (JICA) | SOCIALIST REPUBLIC OF VIET NAM MINISTRY OF TRANSPORT (MOT) MY THUAN PROJECT MANAGEMENT UNIT | (NK) NIIPPON KOHI CO.,LTD. | S. Kiguchi | K. Matsumoto | K. Enomoto | CABLE STAYED BRIDGE SUB STRUCTURE BAR ARRANGEMENT OF PILE CAP (6) | P2/CS/4090 |
| | | | | SIGNATURE: S. Kiguchi | SIGNATURE: K. Matsumoto | SIGNATURE: K. Enomoto | | |
| | | | | DATE: 20/9/2000 | DATE: 29/9/2000 | DATE: 5/10/2000 | | |

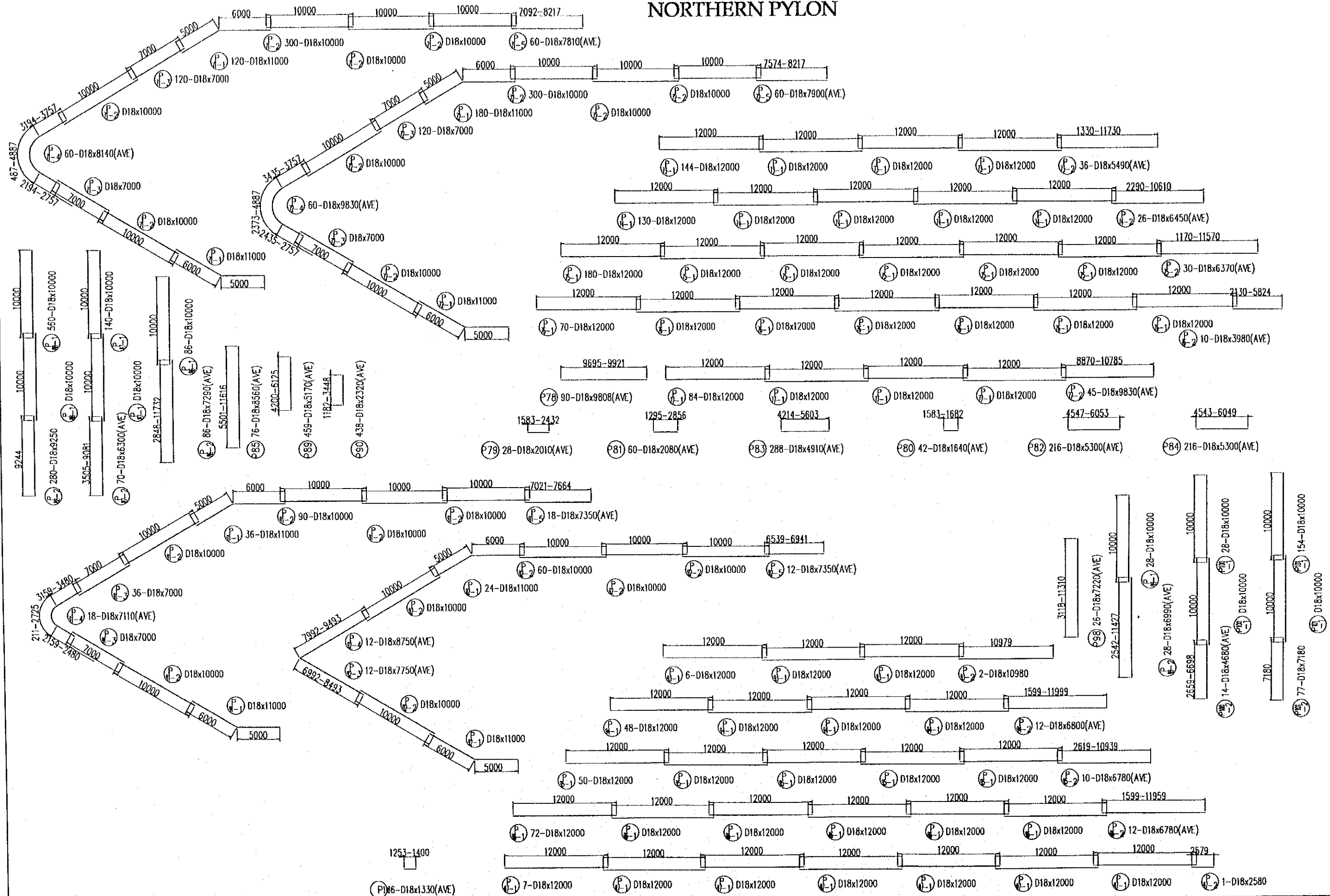
NORTHERN PYLON



NOTE:
 SPLICE IN ADJACENT BARS OF DIAMETER 35MM OVER SHALL BE MECHANICAL
 JOINT OR GAS PRESSURE WELDING APPROVED BY THE ENGINEER.

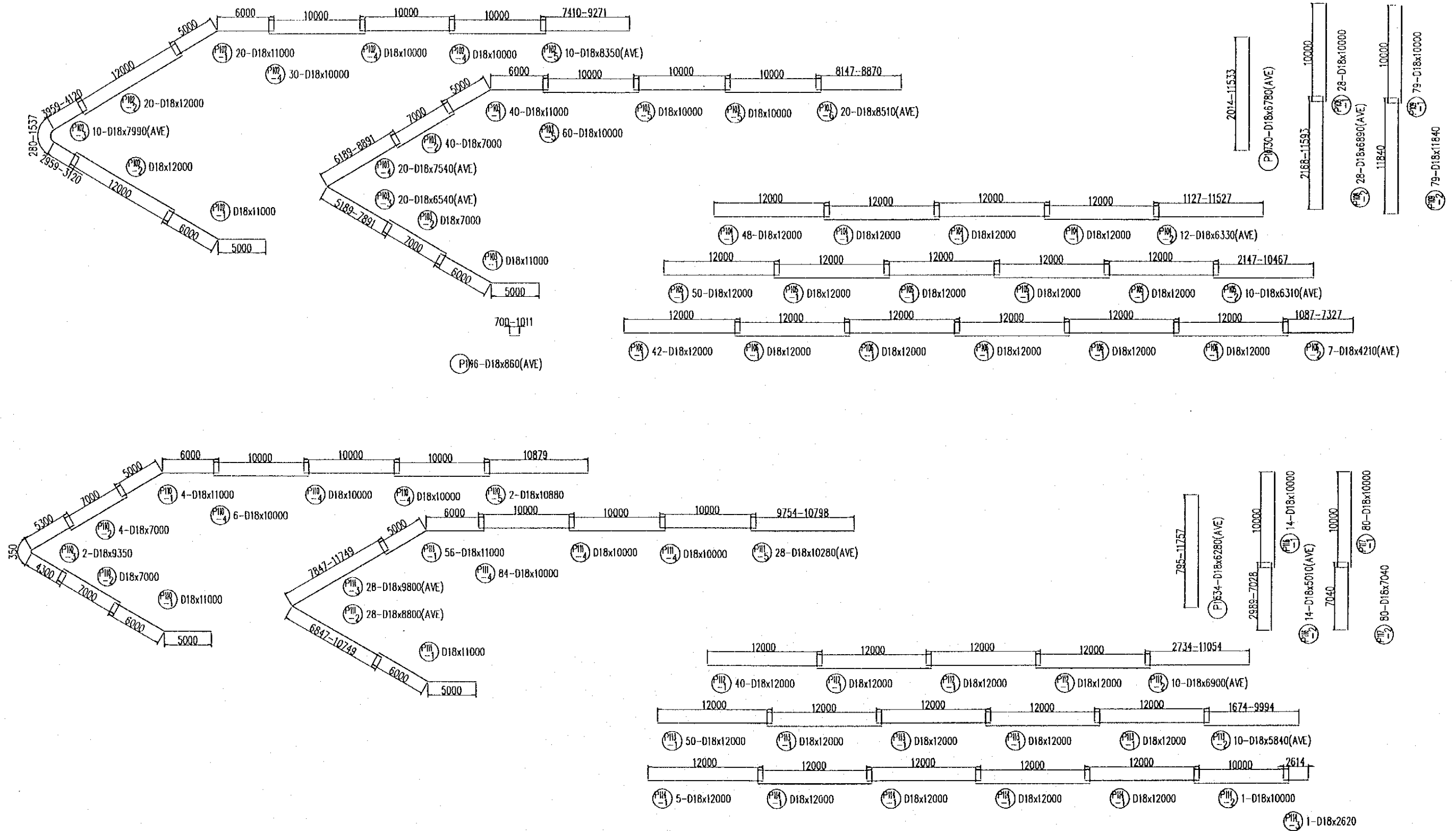
| | | | | | | | | |
|--|---|---|------------------------|--------------------|-------------------|--------------------|---|----------------|
| PROJECT NAME | IMPLEMENTATION AGENCY | EXECUTING AGENCY | JICA STUDY TEAM | PREPARED BY | CHECKED BY | APPROVED BY | DRAWING TITLE | DWG NO. |
| DETAILED DESIGN OF THE CAN THO BRIDGE CONSTRUCTION PROJECT | JICA JAPAN INTERNATIONAL COOPERATION AGENCY (JICA) | SOCIALIST REPUBLIC OF VIET NAM MINISTRY OF TRANSPORT (MOT) MY THUAN PROJECT MANAGEMENT UNIT | NIPPON KOEI CO.,LTD. | S. Kiguchi | K. Matsumoto | K. Enomoto | CABLE STAYED BRIDGE SUB STRUCTURE BAR ARRANGEMENT OF FILE CAP (7) | P2/CS/4100 |
| | | | | NAME | | | | |
| | | | | SIGNATURE | | | | |
| | | | | DATE | 20/9/2000 | 29/9/2000 | 5/10/2000 | |

NORTHERN PYLON



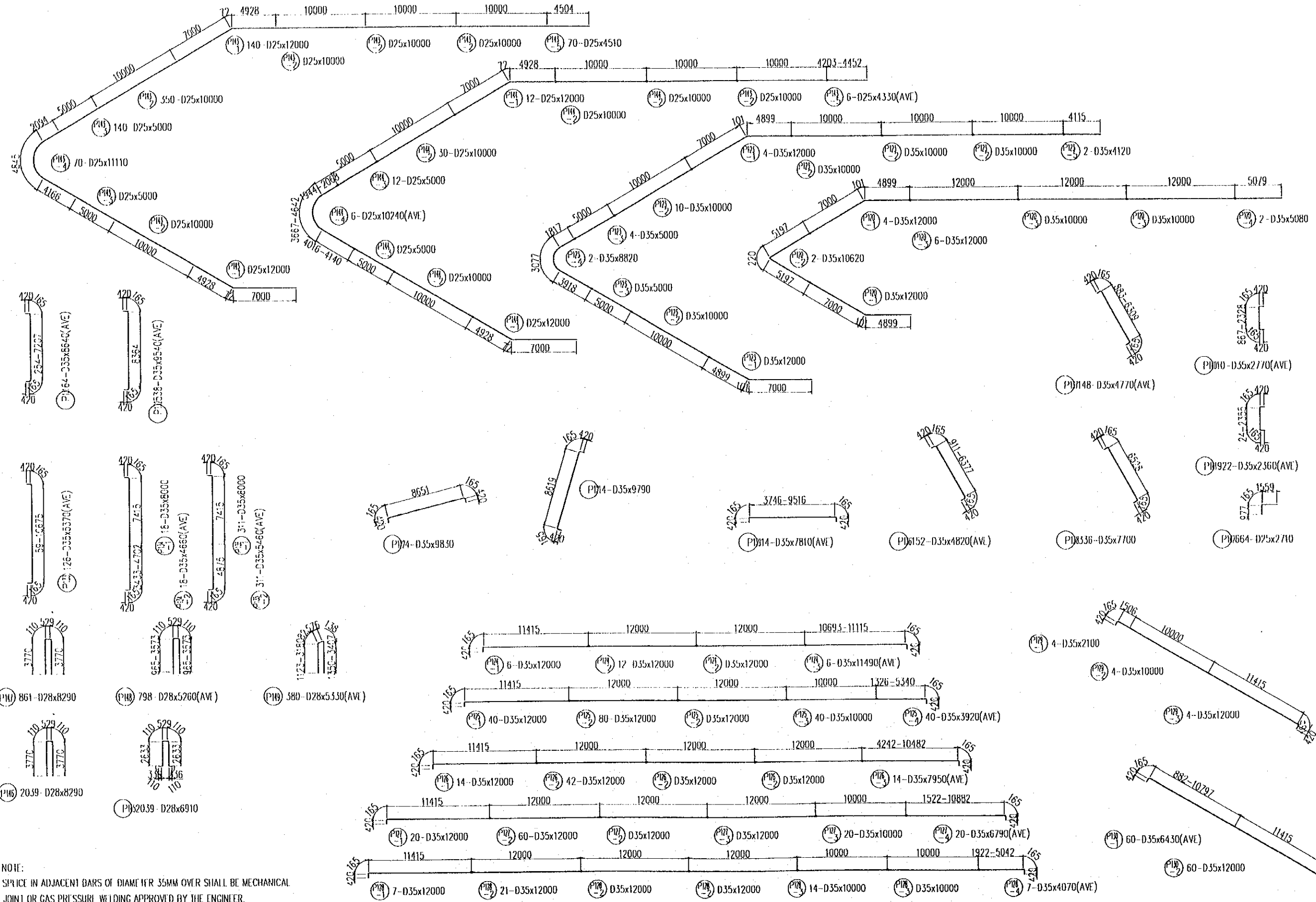
| | | | | | | | | |
|--|---|---|---------------------------|--|---------------------------|-------------------------|---|----------------|
| PROJECT NAME | IMPLEMENTATION AGENCY | EXECUTING AGENCY | JICA STUDY TEAM | PREPARED BY | CHECKED BY | APPROVED BY | DRAWING TITLE | DWG NO. |
| DETAILED DESIGN OF THE CAN THO BRIDGE CONSTRUCTION PROJECT | JICA JAPAN INTERNATIONAL COOPERATION AGENCY (JICA) | SOCIALIST REPUBLIC OF VIET NAM MINISTRY OF TRANSPORT (MOT) MY THUAN PROJECT MANAGEMENT UNIT | (NK) NIPPON KOEI CO.,LTD. | NAME S. Kiguchi SIGNATURE DATE 20/9/2000 | K. Matsumoto 29/9/2000 | K. Enomoto 5/10/2000 | CABLE STAYED BRIDGE SUB STRUCTURE BAR ARRANGEMENT OF FILE CAP (8) | P2/CS/4110 |

NORTHERN PYLON



| PROJECT NAME | IMPLEMENTATION AGENCY | EXECUTING AGENCY | JICA STUDY TEAM | PREPARED BY | CHECKED BY | APPROVED BY | DRAWING TITLE | DWG NO. |
|--|---|---|---------------------------|-----------------|-----------------|-----------------|---|------------|
| DETAILED DESIGN OF THE CAN THO BRIDGE CONSTRUCTION PROJECT | JICA JAPAN INTERNATIONAL COOPERATION AGENCY (JICA) | SOCIALIST REPUBLIC OF VIET NAM MINISTRY OF TRANSPORT (MOT) MY THUAN PROJECT MANAGEMENT UNIT | (NK) NIPPON KOEI CO.,LTD. | S. Kiguchi | K. Matsumoto | K. Enomoto | CABLE STAYED BRIDGE SUB STRUCTURE BAR ARRANGEMENT OF PILE CAP (9) | P2/CS/4120 |
| | | | | DATE: 20/9/2000 | DATE: 29/9/2000 | DATE: 5/10/2000 | | |

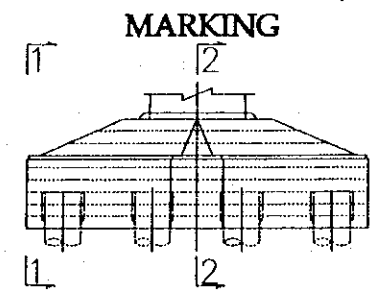
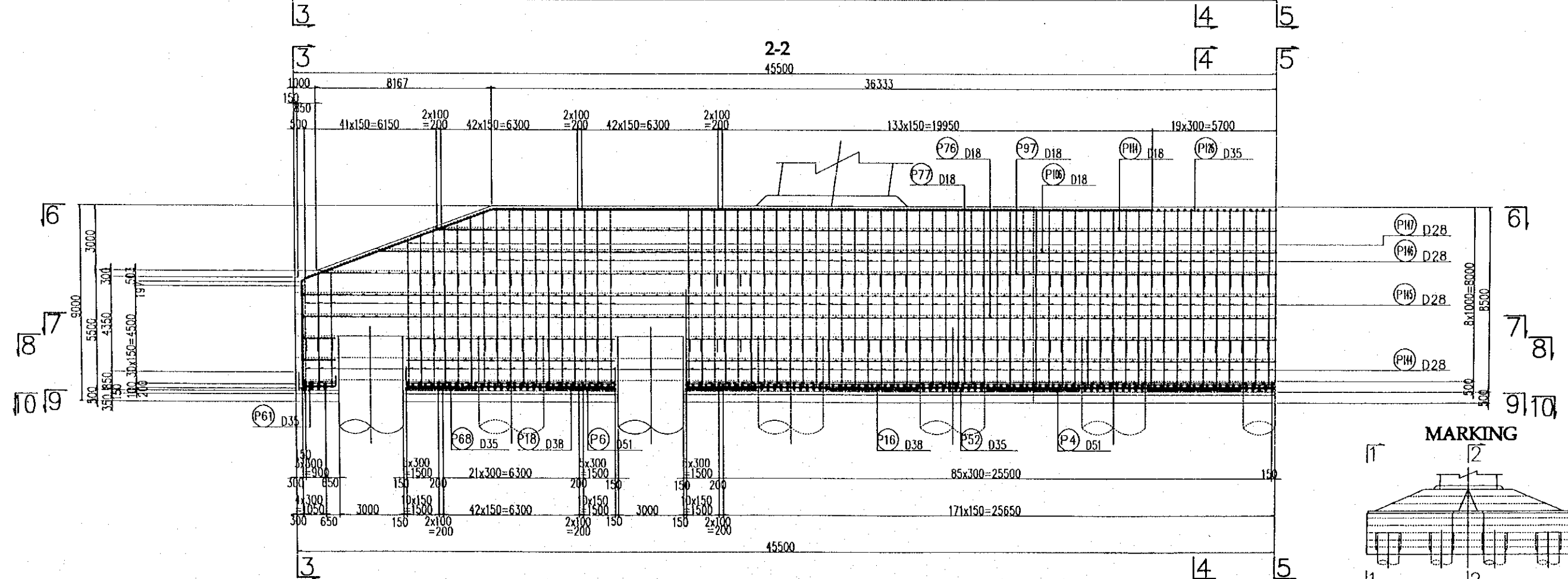
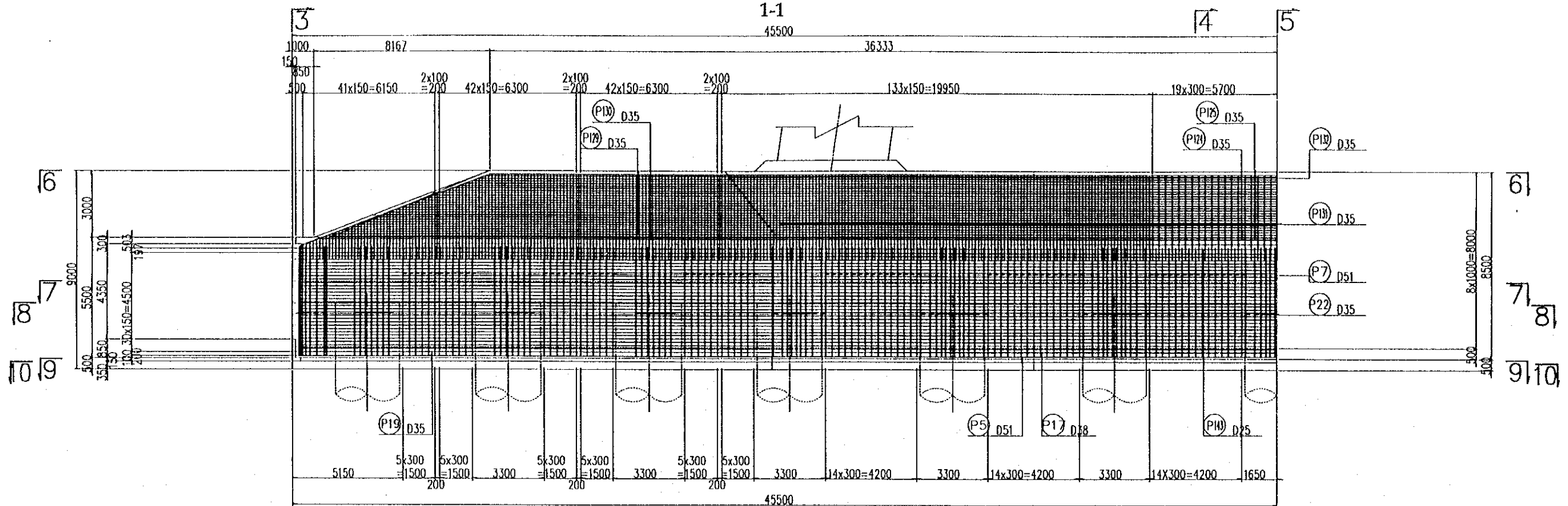
NORTHERN PYLON



NOTE:
 SPICE IN ADJACENT BARS OF DIAMETER 35MM OVER SHALL BE MECHANICAL
 JOINT OR GAS PRESSURE WELDING APPROVED BY THE ENGINEER.

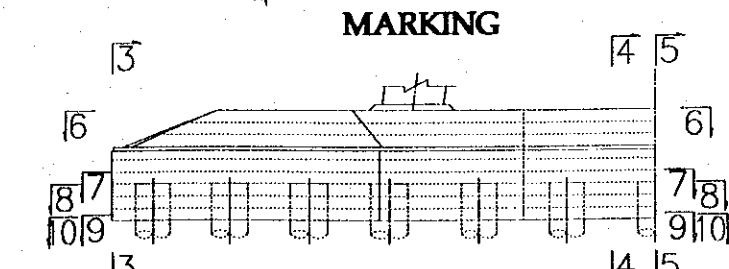
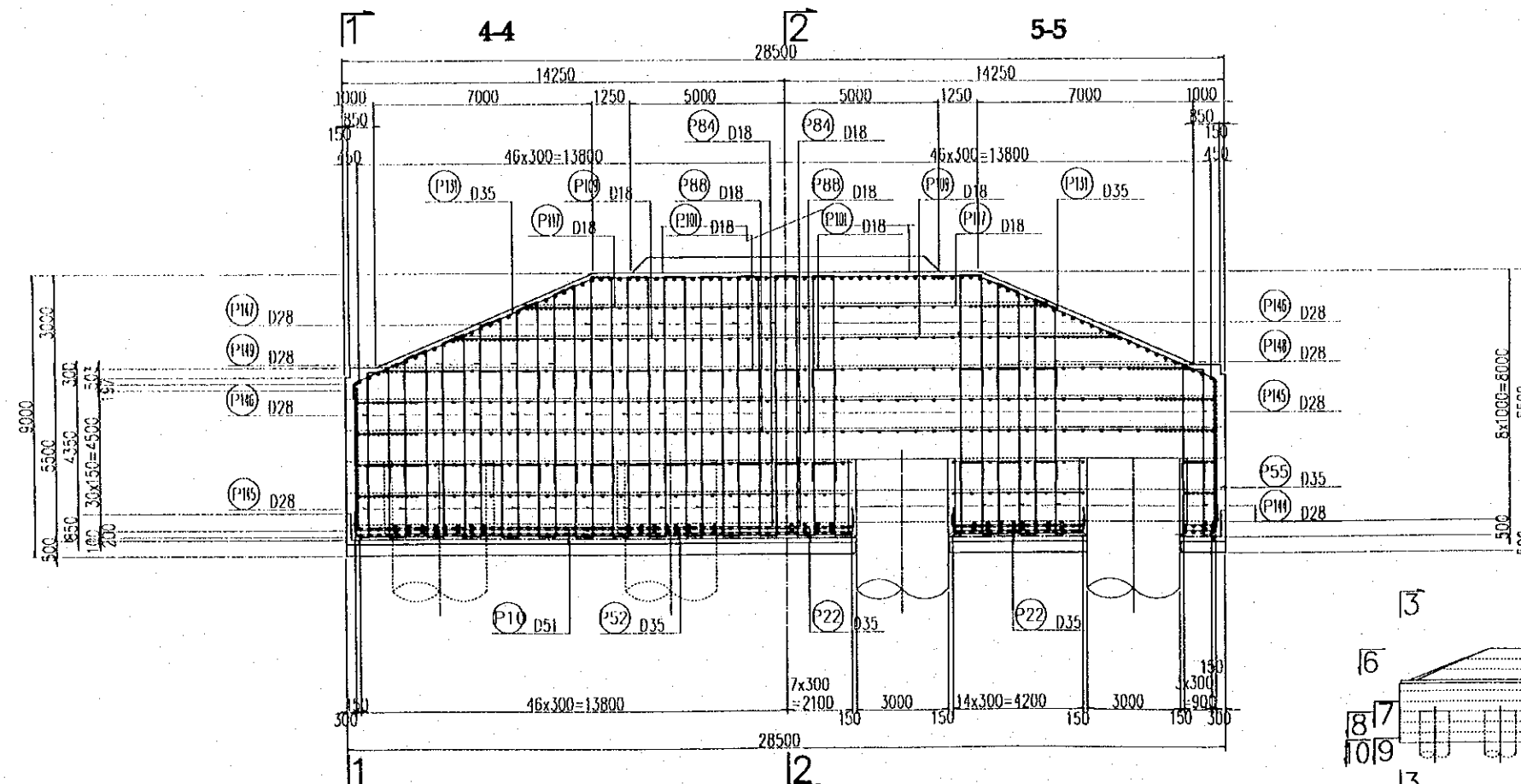
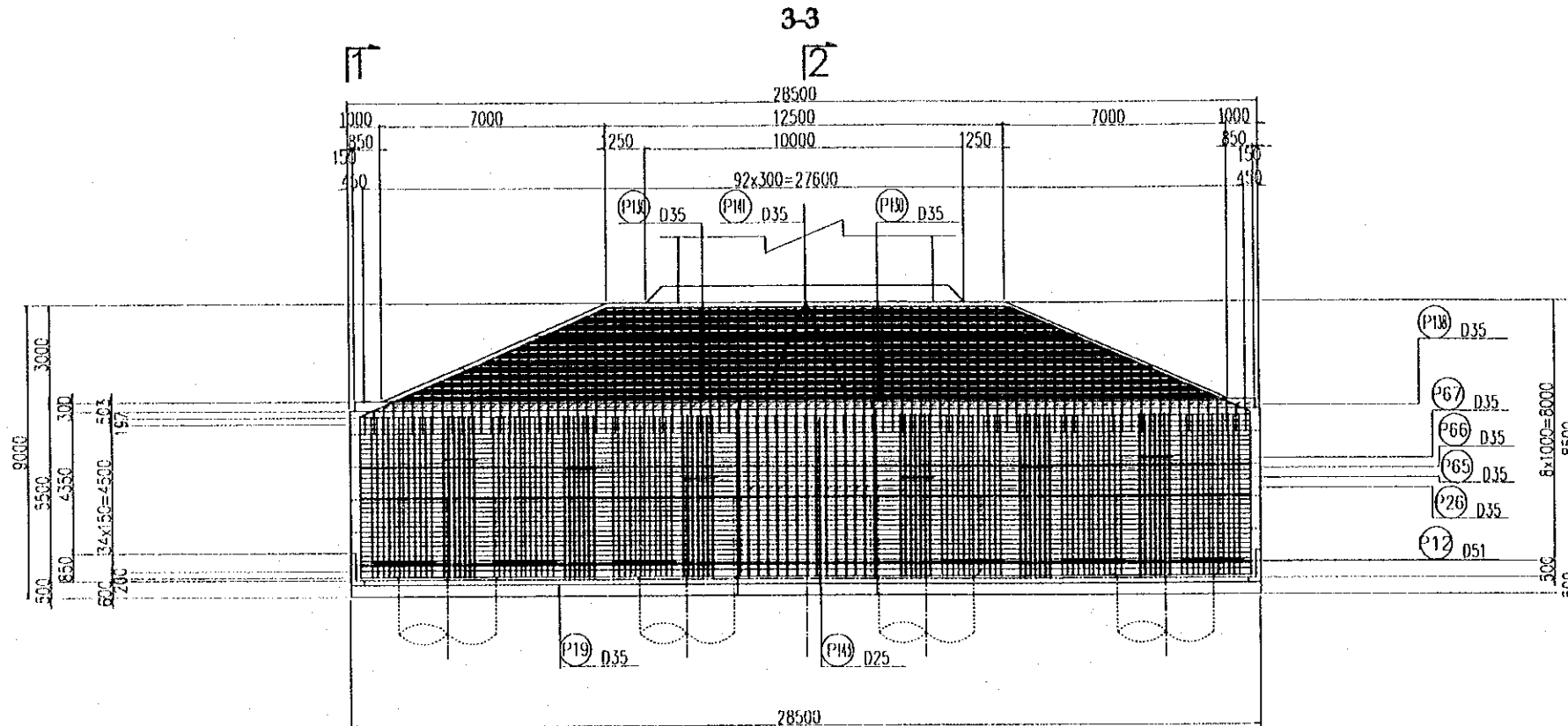
| PROJECT NAME | IMPLEMENTATION AGENCY | EXECUTING AGENCY | JICA STUDY TEAM | PREPARED BY | CHECKED BY | APPROVED BY | DRAWING TITLE | DWG NO. |
|--|--|--|------------------------------|-------------|-------------------|---------------------|---|-------------------|
| DETAILED DESIGN OF THE CAN THO BRIDGE CONSTRUCTION PROJECT | JAPAN INTERNATIONAL COOPERATION AGENCY (JICA) | SOCIALIST REPUBLIC OF VIET NAM MINISTRY OF TRANSPORT (MOT) MY THUAN PROJECT MANAGEMENT UNIT | NIPTON KOEI CO., LTD. | NAME | S. Kiguchi | K. Matsumoto | CABLE STAYED BRIDGE SUB STRUCTURE BAR ARRANGEMENT OF PILE CAP (10) | P2/CS/4130 |
| | | | | SIGNATURE | <i>S. Kiguchi</i> | <i>K. Matsumoto</i> | | |
| | | | | DATE | 20/9/2000 | 29/9/2000 | | |
| | | | | | | | APPROVED BY K. Enomoto 5/10/2000 | |

SOUTHERN PYLON SCALE 1:200



| PROJECT NAME | IMPLEMENTATION AGENCY | EXECUTING AGENCY | JICA STUDY TEAM | PREPARED BY | CHECKED BY | APPROVED BY | DRAWING TITLE | DWG NO. |
|--|--|---|---------------------------|---|---|---|--|------------|
| DETAILED DESIGN OF THE CAN THO BRIDGE CONSTRUCTION PROJECT | JICA JAPAN INTERNATIONAL COOPERATION AGENCY (JICA) | SOCIALIST REPUBLIC OF VIET NAM MINISTRY OF TRANSPORT (MOT) MY THUAN PROJECT MANAGEMENT UNIT | (NK) NIPPON KOEI CO.,LTD. | NAME: S. Kiguchi SIGNATURE: <i>S. Kiguchi</i> DATE: 20/9/2000 | NAME: K. Matsumoto SIGNATURE: <i>K. Matsumoto</i> DATE: 29/9/2000 | NAME: K. Enomoto SIGNATURE: <i>K. Enomoto</i> DATE: 5/10/2000 | CABLE STAYED BRIDGE SUB STRUCTURE BAR ARRANGEMENT OF PILE CAP (11) | P2/CS/4140 |

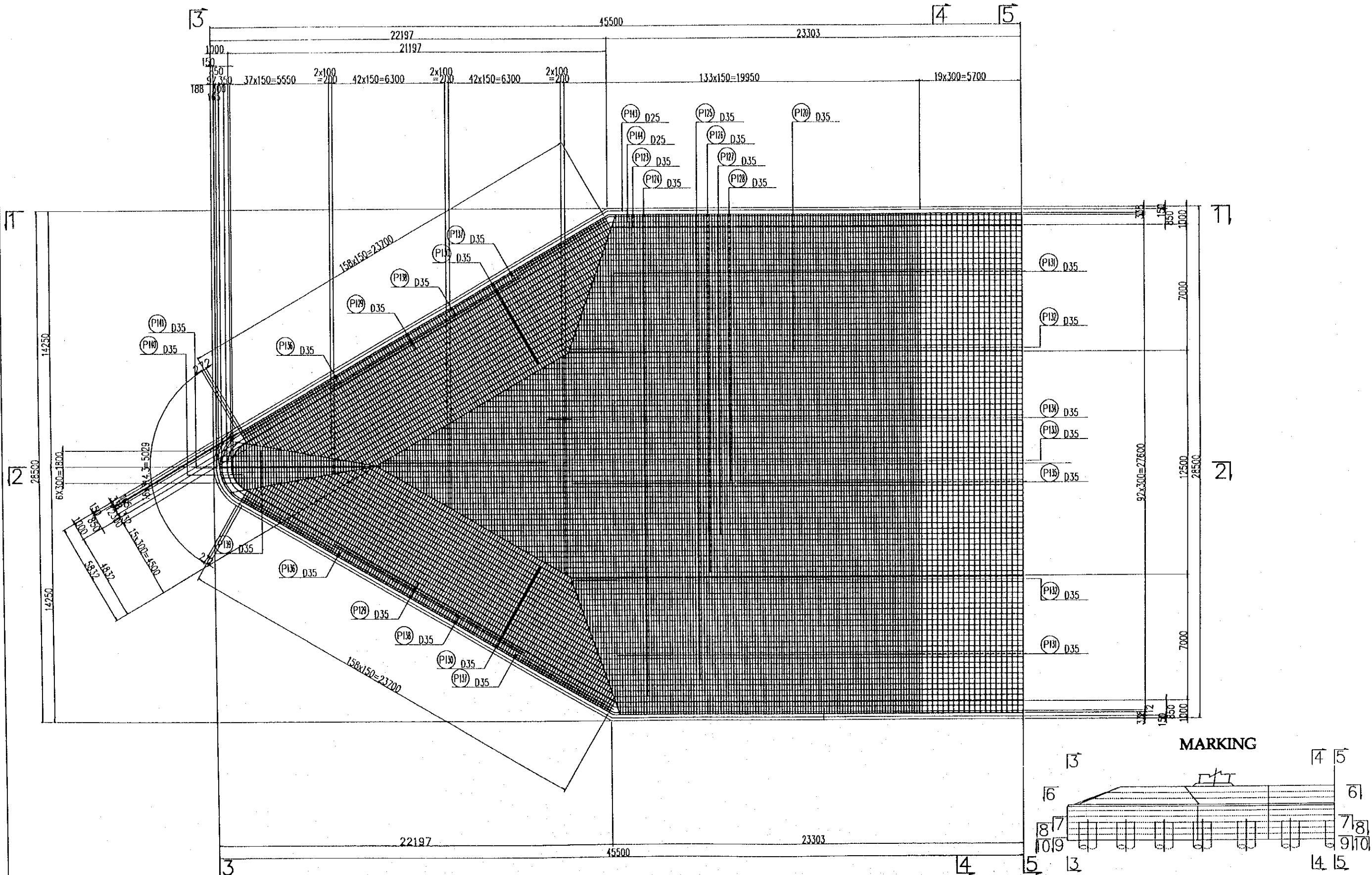
SOUTHERN PYLON SCALE 1:200



| | | | | | | | | |
|--|---|---|------------------------|---|---|---|---|----------------|
| PROJECT NAME | IMPLEMENTATION AGENCY | EXECUTING AGENCY | JICA STUDY TEAM | PREPARED BY | CHECKED BY | APPROVED BY | DRAWING TITLE | DWG NO. |
| DETAILED DESIGN OF THE CAN THO BRIDGE CONSTRUCTION PROJECT | JAPAN INTERNATIONAL COOPERATION AGENCY (JICA) | SOCIALIST REPUBLIC OF VIET NAM MINISTRY OF TRANSPORT (MOT) MY THUAN PROJECT MANAGEMENT UNIT | NIPPON KORI CO.,LTD. | NAME: S. Kiguchi SIGNATURE: <i>S. Kiguchi</i> DATE: 20/9/2000 | NAME: K. Matsumoto SIGNATURE: <i>K. Matsumoto</i> DATE: 29/9/2000 | NAME: K. Enomoto SIGNATURE: <i>K. Enomoto</i> DATE: 5/10/2000 | CABLE STAYED BRIDGE SUB STRUCTURE BAR ARRANGEMENT OF PILE CAP (12) | P2/CS/4150 |

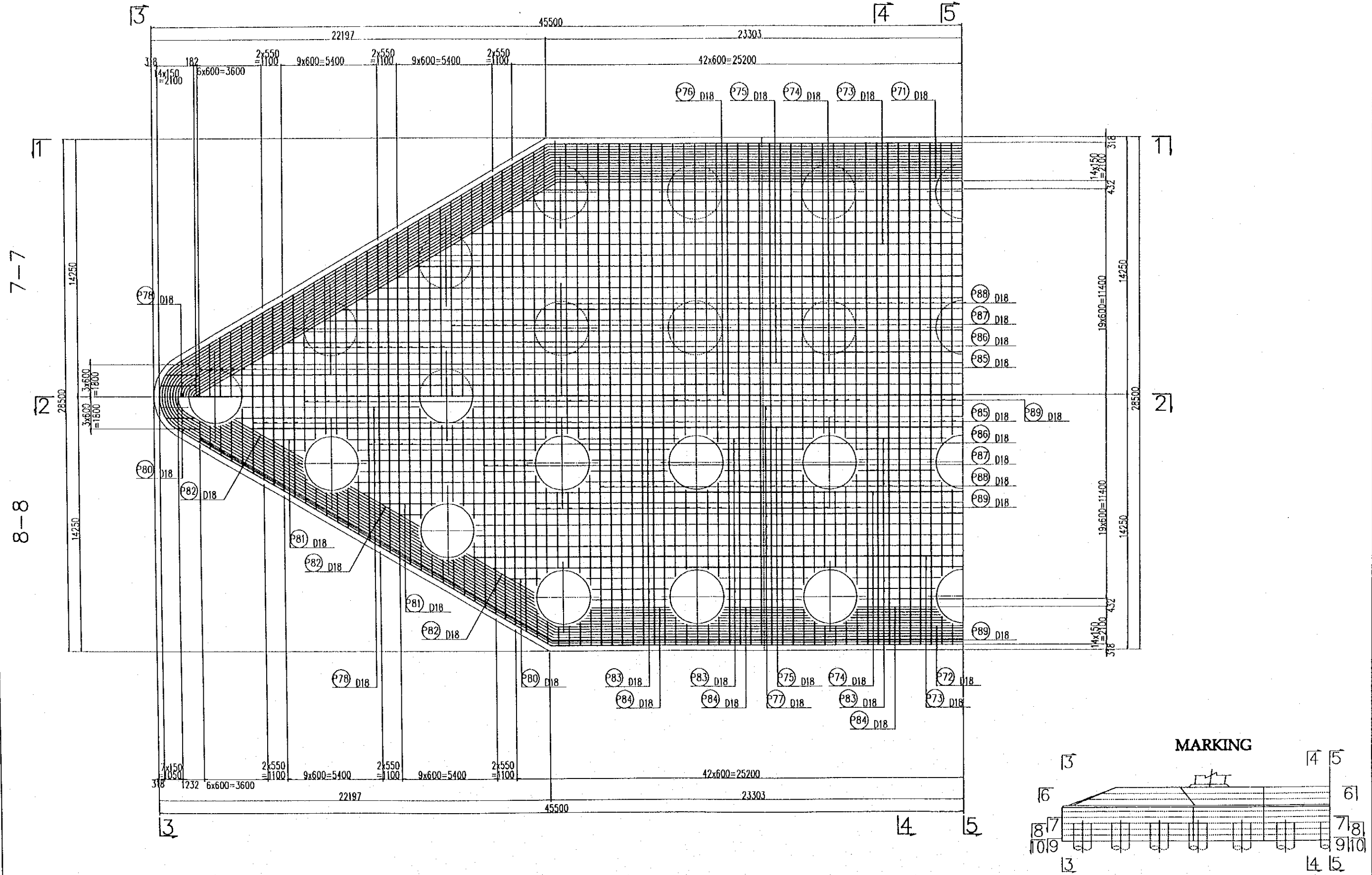
SOUTHERN PYLON SCALE 1:200

6-6



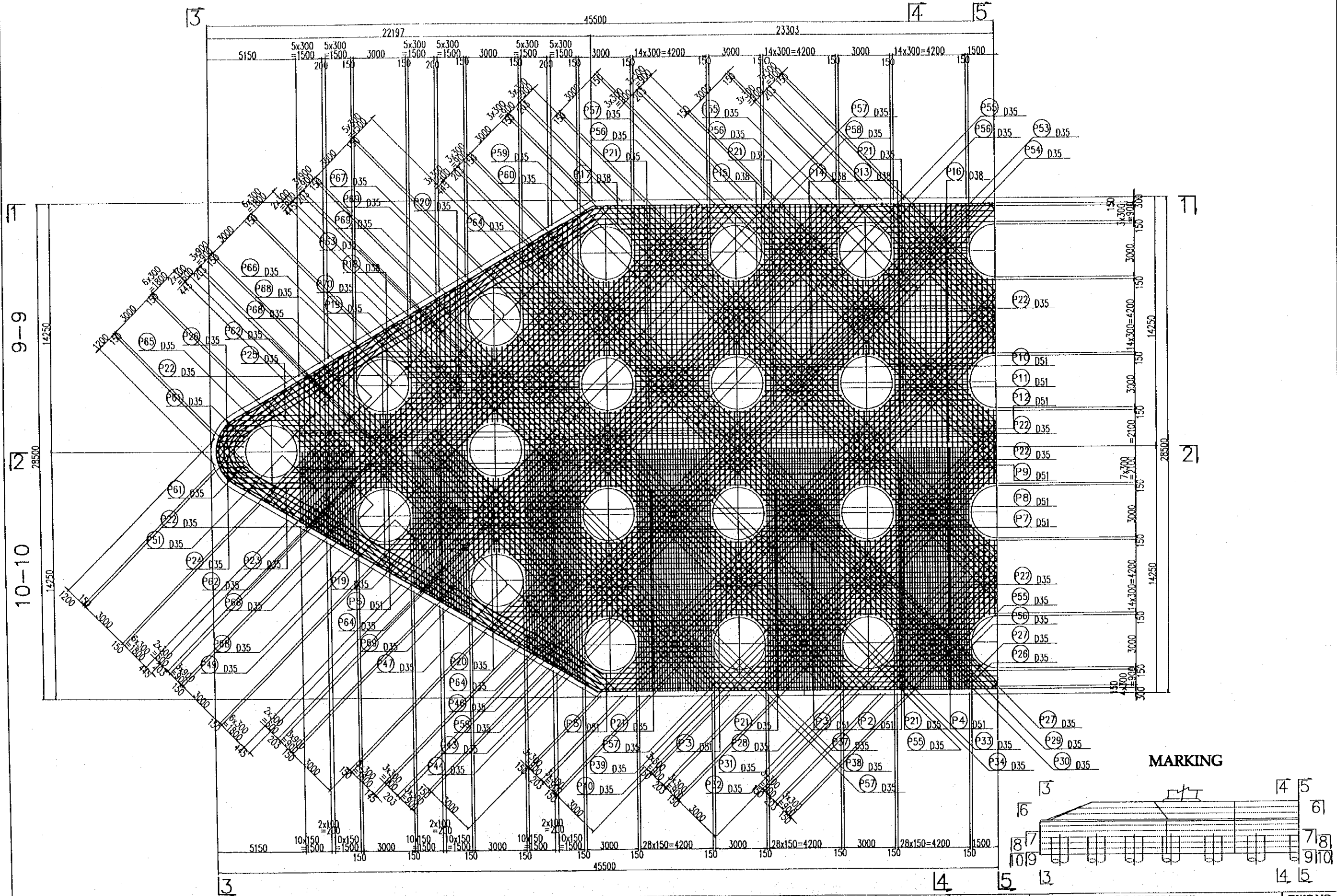
| PROJECT NAME | IMPLEMENTATION AGENCY | EXECUTING AGENCY | JICA STUDY TEAM | PREPARED BY | CHECKED BY | APPROVED BY | DRAWING TITLE | DWG NO. |
|--|---|---|---------------------------|---|---|---|--|------------|
| DETAILED DESIGN OF THE CAN THO BRIDGE CONSTRUCTION PROJECT | JICA JAPAN INTERNATIONAL COOPERATION AGENCY (JICA) | SOCIALIST REPUBLIC OF VIET NAM MINISTRY OF TRANSPORT (MOT) MY THUAN PROJECT MANAGEMENT UNIT | (NK) NIPPON KOBİ CO.,LTD. | NAME: S. Kiguchi SIGNATURE: <i>S. Kiguchi</i> DATE: 20/9/2000 | NAME: K. Matsumoto SIGNATURE: <i>K. Matsumoto</i> DATE: 29/9/2000 | NAME: K. Enomoto SIGNATURE: <i>K. Enomoto</i> DATE: 5/10/2000 | CABLE STAYED BRIDGE SUB STRUCTURE BAR ARRANGEMENT OF PILE CAP (13) | P2/CS/4160 |

SOUTHERN PYLON SCALE 1:200



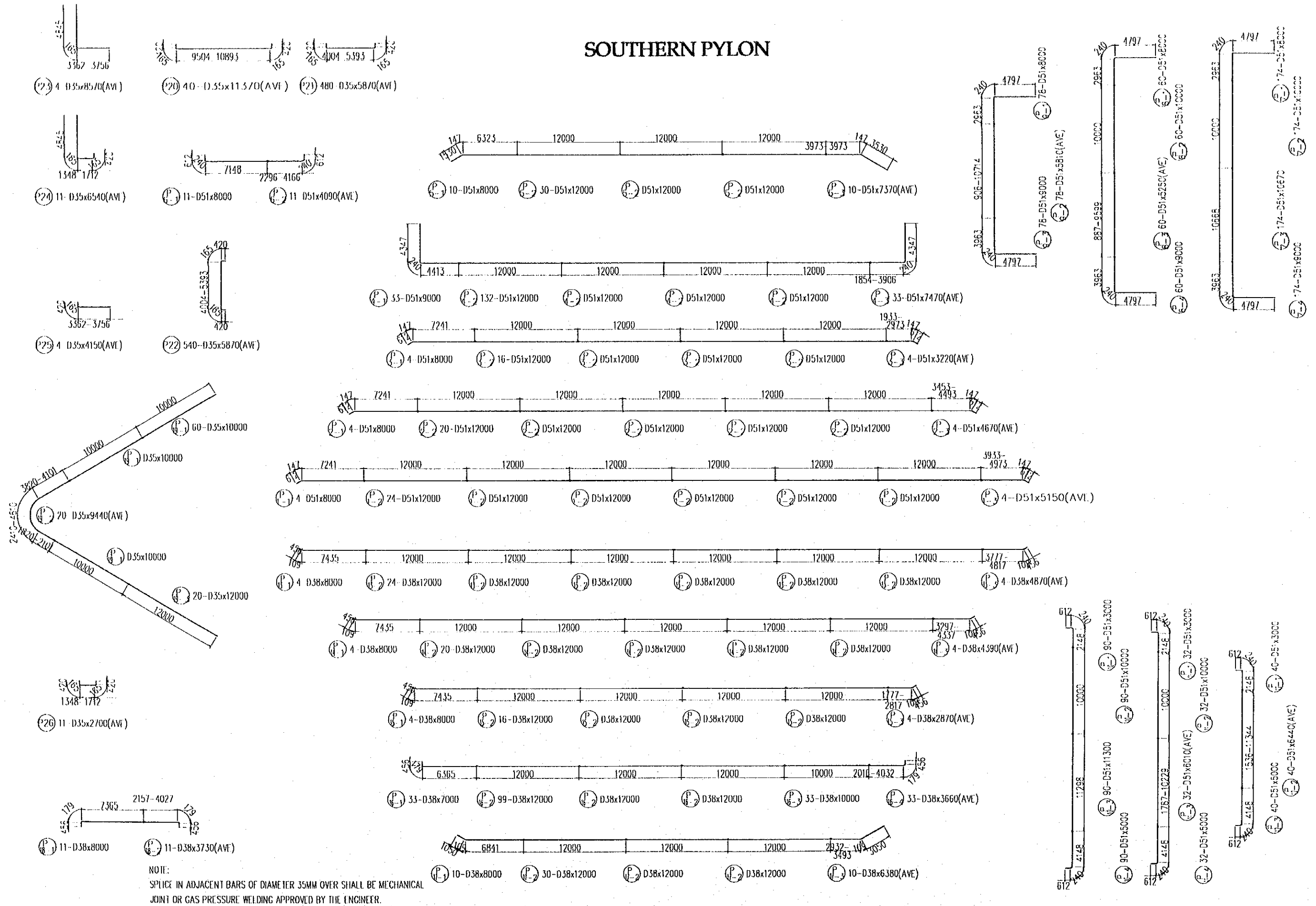
| PROJECT NAME | IMPLEMENTATION AGENCY | EXECUTING AGENCY | JICA STUDY TEAM | PREPARED BY | CHECKED BY | APPROVED BY | DRAWING TITLE | DWG NO. |
|--|--|---|----------------------------|----------------|----------------|----------------|--|------------|
| DETAILED DESIGN OF THE CAN THO BRIDGE CONSTRUCTION PROJECT | JICA JAPAN INTERNATIONAL COOPERATION AGENCY (JICA) | SOCIALIST REPUBLIC OF VIET NAM MINISTRY OF TRANSPORT (MOT) MY THUAN PROJECT MANAGEMENT UNIT | (NK) NIPPON KOEI CO., LTD. | S. Kiguchi | K. Matsumoto | K. Enomoto | CABLE STAYED BRIDGE SUB STRUCTURE BAR ARRANGEMENT OF PILE CAP (14) | P2/CS/4170 |
| | | | | DATE 20/9/2000 | DATE 29/9/2000 | DATE 5/10/2000 | | |

SOUTHERN PYLON SCALE 1:200



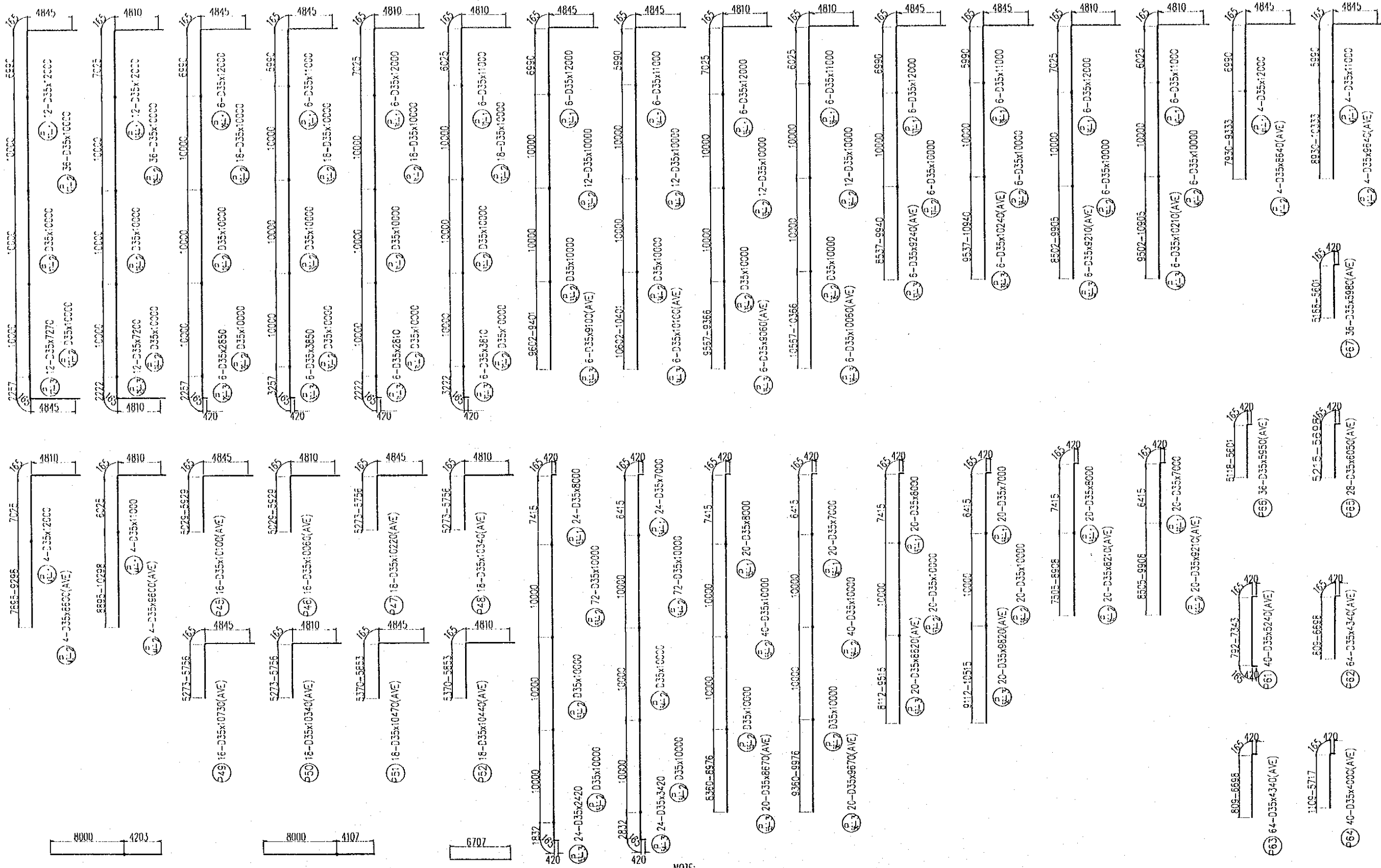
| PROJECT NAME | IMPLEMENTATION AGENCY | EXECUTING AGENCY | JICA STUDY TEAM | PREPARED BY | CHECKED BY | APPROVED BY | DRAWING TITLE | DWG NO. |
|--|---|---|----------------------------|-------------------------|---------------------------|-------------------------|--|------------|
| DETAILED DESIGN OF THE CAN THO BRIDGE CONSTRUCTION PROJECT | JICA JAPAN INTERNATIONAL COOPERATION AGENCY (JICA) | SOCIALIST REPUBLIC OF VIET NAM MINISTRY OF TRANSPORT (MOT) MY THUAN PROJECT MANAGEMENT UNIT | NK NIPPON KOEI CO.,LTD. | S. Kiguchi 20/9/2000 | K. Matsumoto 29/9/2000 | K. Enomoto 5/10/2000 | CABLE STAYED BRIDGE SUB STRUCTURE BAR ARRANGEMENT OF PYLE CAP (15) | P2/CS/4180 |

SOUTHERN PYLON



| PROJECT NAME | IMPLEMENTATION AGENCY | EXECUTING AGENCY | JICA STUDY TEAM | PREPARED BY | CHECKED BY | APPROVED BY | DRAWING TITLE | DWG NO. |
|--|--|---|----------------------------|-----------------|-----------------|-----------------|--|------------|
| DETAILED DESIGN OF THE CAN THO BRIDGE CONSTRUCTION PROJECT | JICA JAPAN INTERNATIONAL COOPERATION AGENCY (JICA) | SOCIALIST REPUBLIC OF VIET NAM MINISTRY OF TRANSPORT (MOT) MY THUAN PROJECT MANAGEMENT UNIT | (NK) NIPPON KOEI CO., LTD. | S. Kiguchi | K. Matsumoto | K. Enomoto | CABLE STAYED BRIDGE SUB STRUCTURE BAR ARRANGEMENT OF FILE CAP (16) | P2/CS/4190 |
| | | | | DATE: 20/9/2000 | DATE: 29/9/2000 | DATE: 3/10/2000 | | |

SOUTHERN PYLON

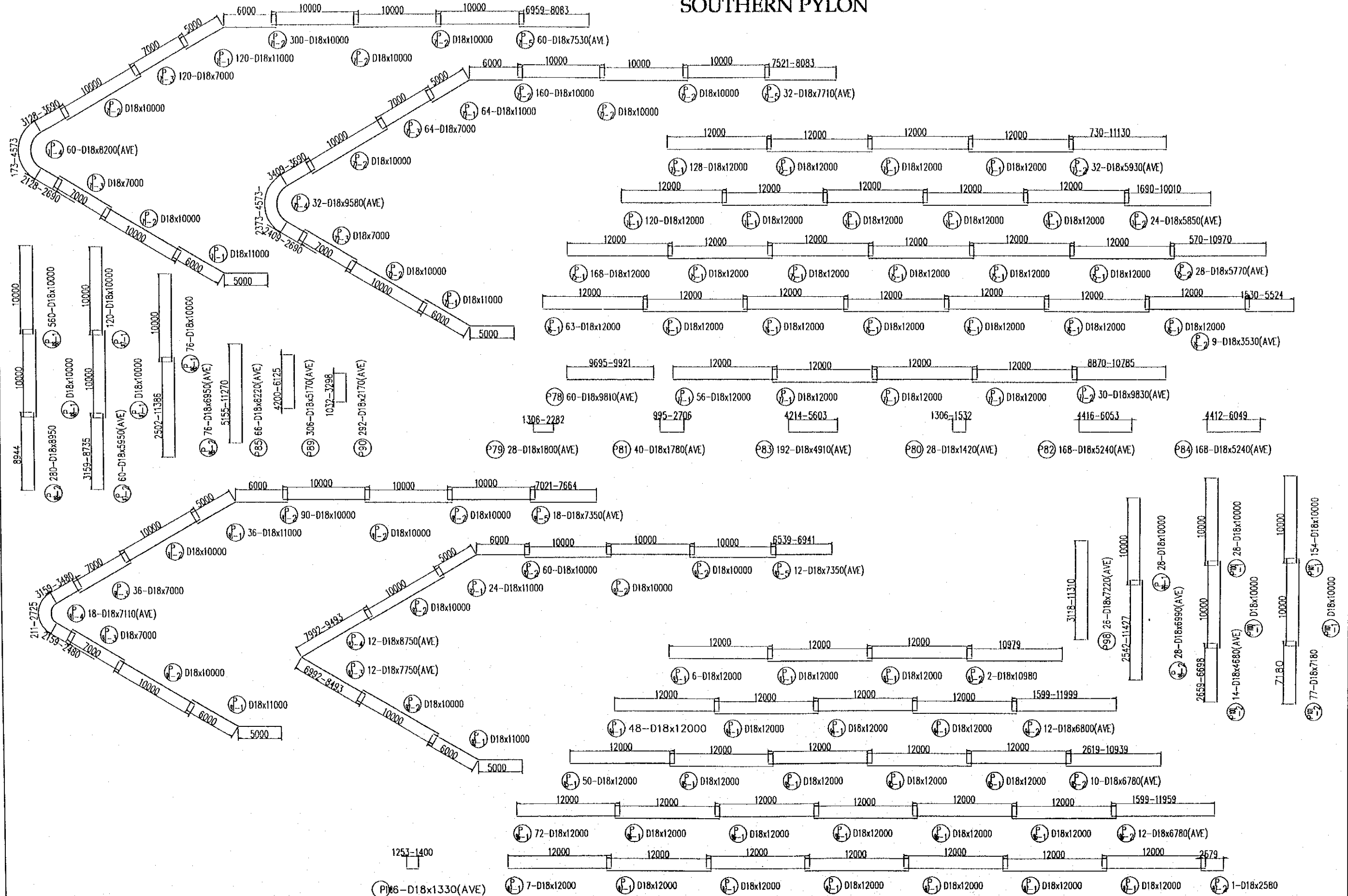


- P1 48-D35x8000
- P2 48-D35x4210
- P3 96-D35x8000
- P4 96-D35x4110
- P5 16-D35x6710

NOTE:
 SPLICE IN ADJACENT BARS OF DIAMETER 35MM OVER SHALL BE MECHANICAL
 JOINT OR GAS PRESSURE WELDING APPROVED BY THE ENGINEER.

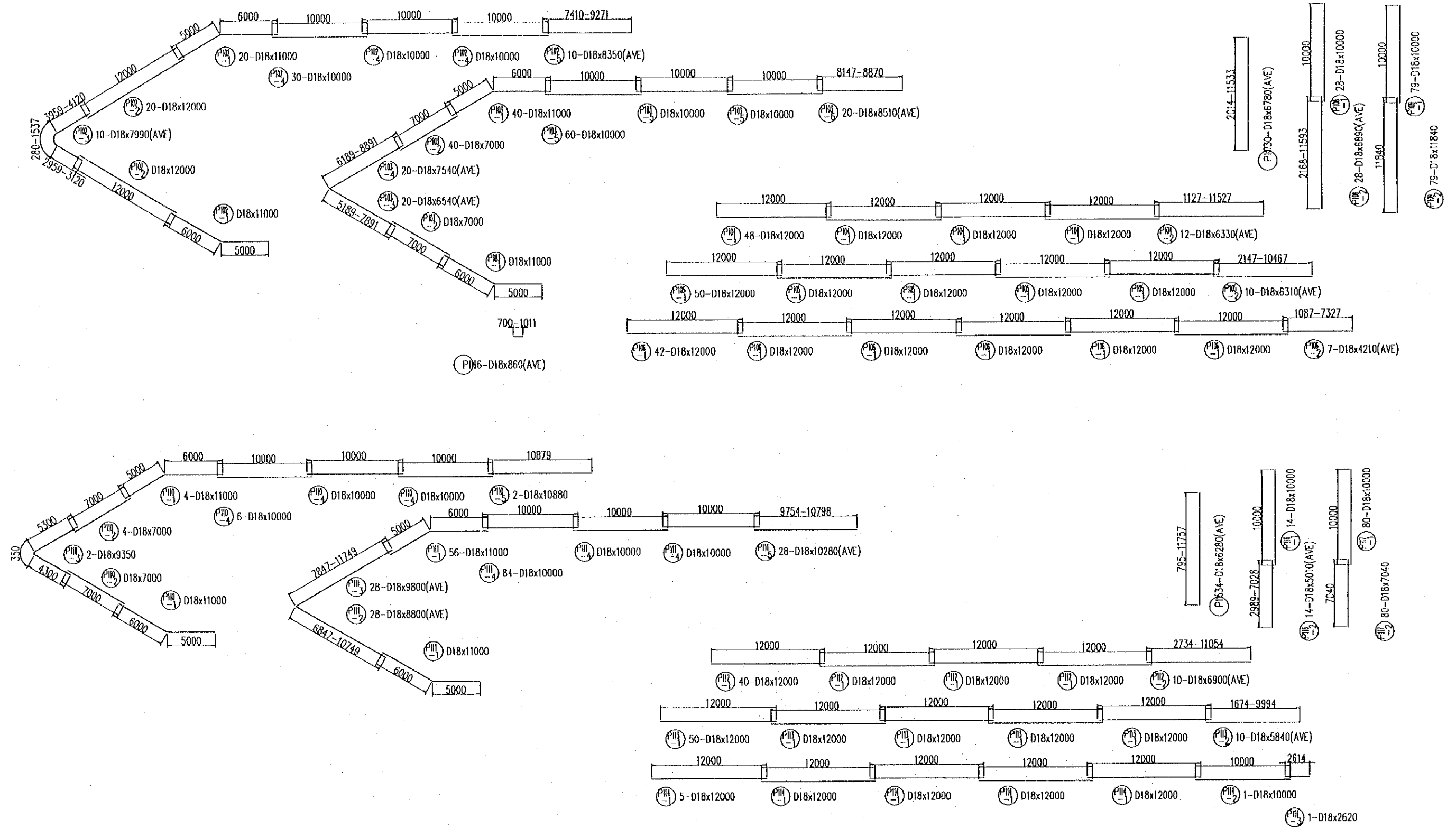
| | | | | | | | | | |
|---|---|--|--|--------------------|-------------------|--------------------|--|------------------------------|------------|
| PROJECT NAME DETAILED DESIGN OF THE CAN THO BRIDGE CONSTRUCTION PROJECT | IMPLEMENTATION AGENCY JAPAN INTERNATIONAL COOPERATION AGENCY (JICA) | EXECUTING AGENCY SOCIALIST REPUBLIC OF VIET NAM MINISTRY OF TRANSPORT (MOT) MY THUAN PROJECT MANAGEMENT UNIT | JICA STUDY TEAM NIPPON KOEI CO.,LTD. | PREPARED BY | CHECKED BY | APPROVED BY | DRAWING TITLE CABLE STAYED BRIDGE SUB STRUCTURE BAR ARRANGEMENT OF PILE CAP (17) | DWG NO. P2/CS/4200 | |
| | | | | NAME | S. Kiguchi | K. Matsumoto | | | K. Enomoto |
| | | | | SIGNATURE | | | | | |
| DATE | 20/9/2000 | 29/9/2000 | 5/10/2000 | | | | | | |

SOUTHERN PYLON



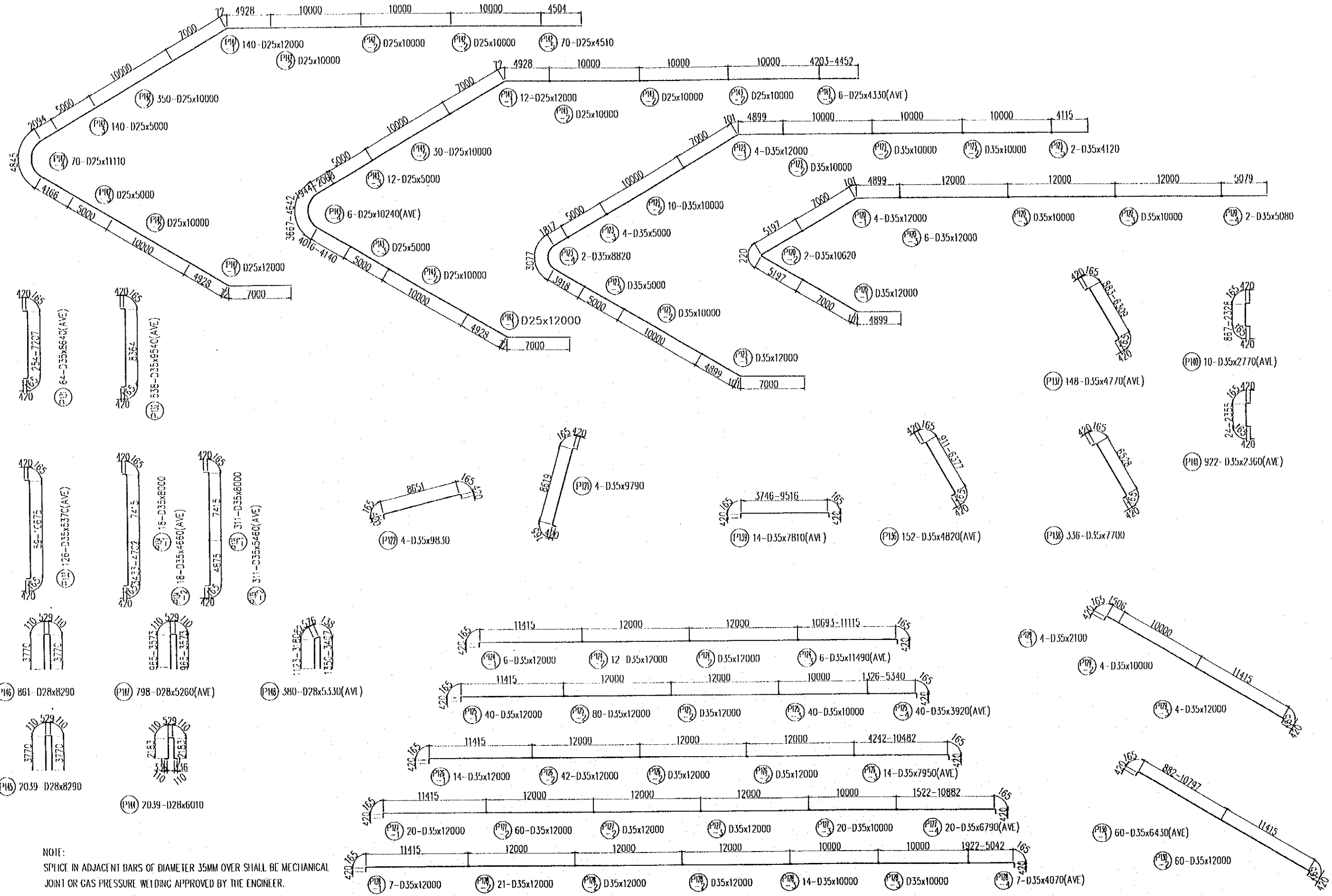
| PROJECT NAME | IMPLEMENTATION AGENCY | EXECUTING AGENCY | JICA STUDY TEAM | PREPARED BY | CHECKED BY | APPROVED BY | DRAWING TITLE | DWG NO. |
|--|---|---|-------------------------------|---|---|---|--|------------|
| DETAILED DESIGN OF THE CAN THO BRIDGE CONSTRUCTION PROJECT | JICA JAPAN INTERNATIONAL COOPERATION AGENCY (JICA) | SOCIALIST REPUBLIC OF VIET NAM MINISTRY OF TRANSPORT (MOT) MY THUAN PROJECT MANAGEMENT UNIT | (NK) NIPPON KOEI CO., LTD. | NAME: S. Kiguchi SIGNATURE: <i>S. Kiguchi</i> DATE: 20/9/2000 | NAME: K. Matsumoto SIGNATURE: <i>K. Matsumoto</i> DATE: 29/9/2000 | NAME: K. Enomoto SIGNATURE: <i>K. Enomoto</i> DATE: 5/10/2000 | CABLE STAYED BRIDGE SUB STRUCTURE BAR ARRANGEMENT OF FILE CAP (18) | PS/CS/4210 |

SOUTHERN PYLON



| PROJECT NAME | IMPLEMENTATION AGENCY | EXECUTING AGENCY | JICA STUDY TEAM | PREPARED BY | CHECKED BY | APPROVED BY | DRAWING TITLE | DWG NO. |
|--|--|--|------------------------------|-------------|-------------------|---------------------|---|-------------------|
| DETAILED DESIGN OF THE CAN THO BRIDGE CONSTRUCTION PROJECT | JAPAN INTERNATIONAL COOPERATION AGENCY (JICA) | SOCIALIST REPUBLIC OF VIET NAM MINISTRY OF TRANSPORT (MOT) MY THUAN PROJECT MANAGEMENT UNIT | NIPPON KOEI CO., LTD. | NAME | S. Kiguchi | K. Matsumoto | CABLE STAYED BRIDGE SUB STRUCTURE BAR ARRANGEMENT OF PILE CAP (19) | P2/CS/4220 |
| | | | | SIGNATURE | <i>S. Kiguchi</i> | <i>K. Matsumoto</i> | | |
| | | | | DATE | 20/9/2000 | 29/9/2000 | | |
| | | | | | | | APPROVED BY | |

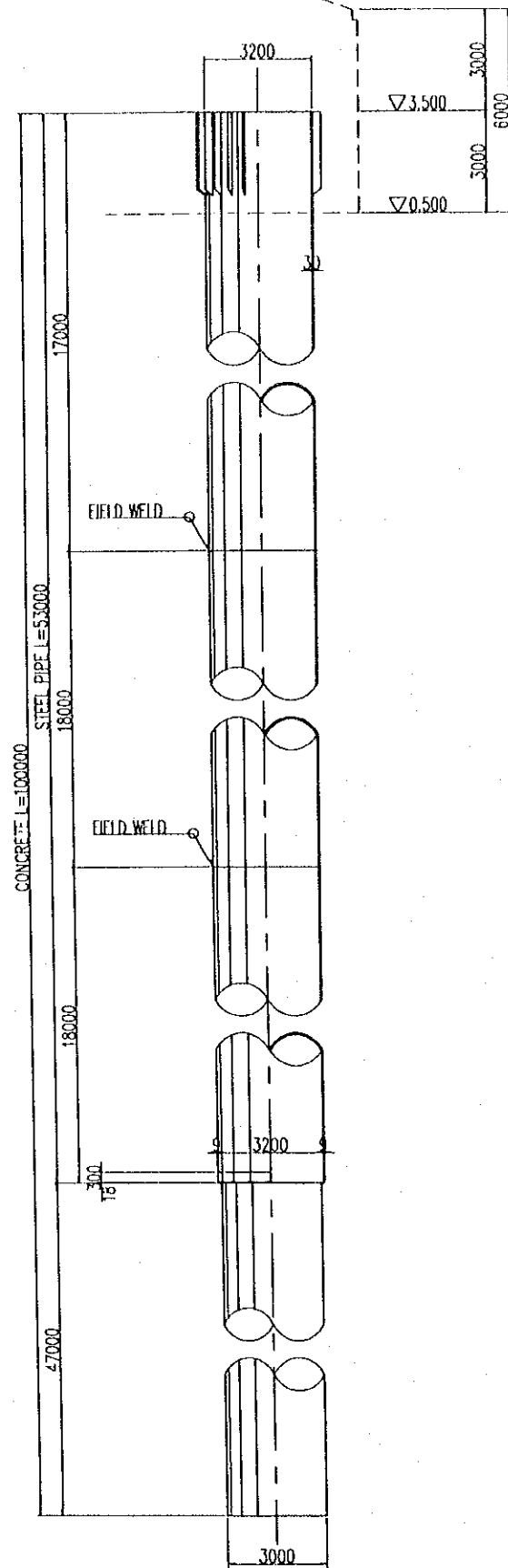
SOUTHERN PYLON



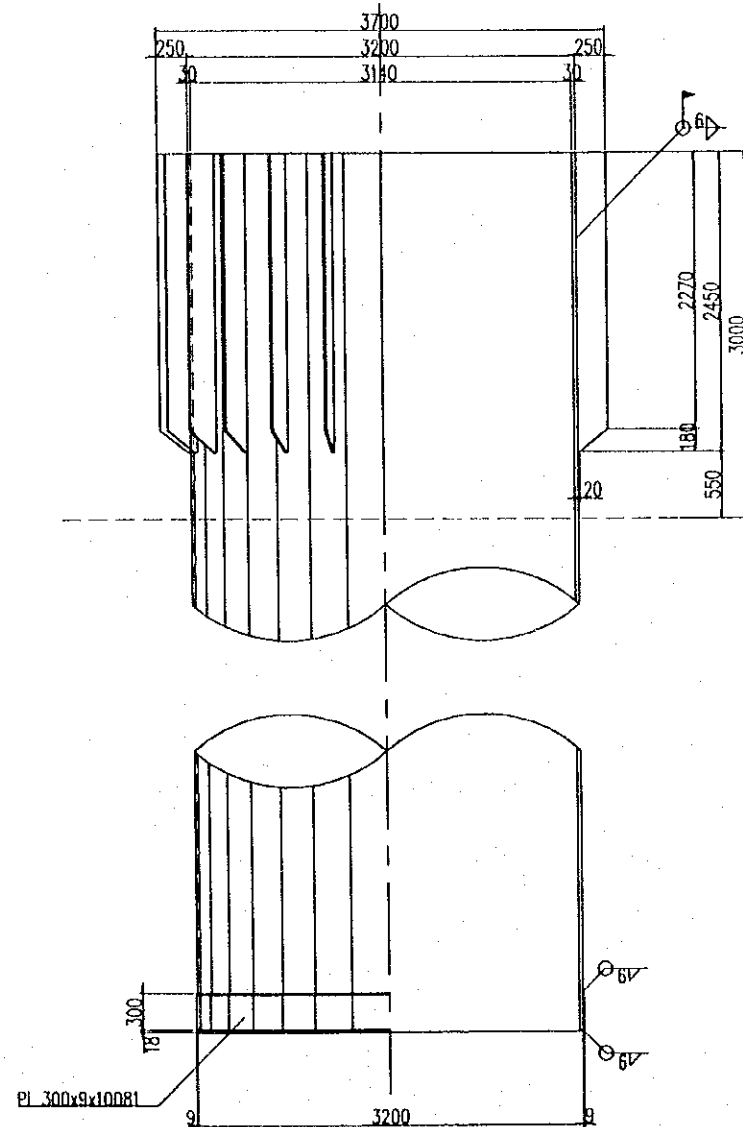
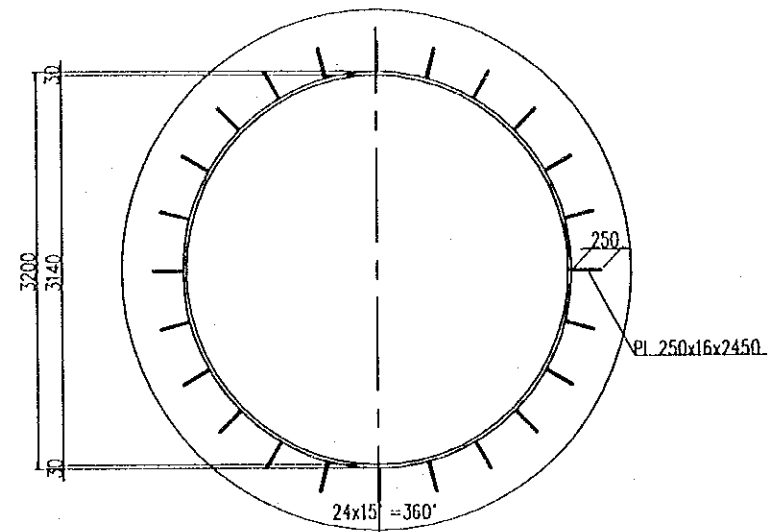
NOTE:
 SPlice IN ADJACENT BARS OF DIAMETER 35MM OVER SHALL BE MECHANICAL JOINT OR GAS PRESSURE WELDING APPROVED BY THE ENGINEER.

| PROJECT NAME | IMPLEMENTATION AGENCY | EXECUTING AGENCY | JICA STUDY TEAM | PREPARED BY | CHECKED BY | APPROVED BY | DRAWING TITLE | DWG NO. | |
|--|---|---|-----------------------|-------------|-------------------|---------------------|-------------------------|--|------------|
| DETAILED DESIGN OF THE CAN THO BRIDGE CONSTRUCTION PROJECT | JAPAN INTERNATIONAL COOPERATION AGENCY (JICA) | SOCIALIST REPUBLIC OF VIET NAM MINISTRY OF TRANSPORT (MOT) MY THUAN PROJECT MANAGEMENT UNIT | NIPPON KOEI CO., LTD. | NAME | S. Kiguchi | K. Matsumoto | K. Enomoto 5/10/2000 | CABLE STAYED BRIDGE SUB STRUCTURE BAR ARRANGEMENT OF PILE CAP (20) | P2/CS/4230 |
| | | | | SIGNATURE | <i>S. Kiguchi</i> | <i>K. Matsumoto</i> | | | |
| | | | | DATE | 20/9/2000 | 29/9/2000 | | | |

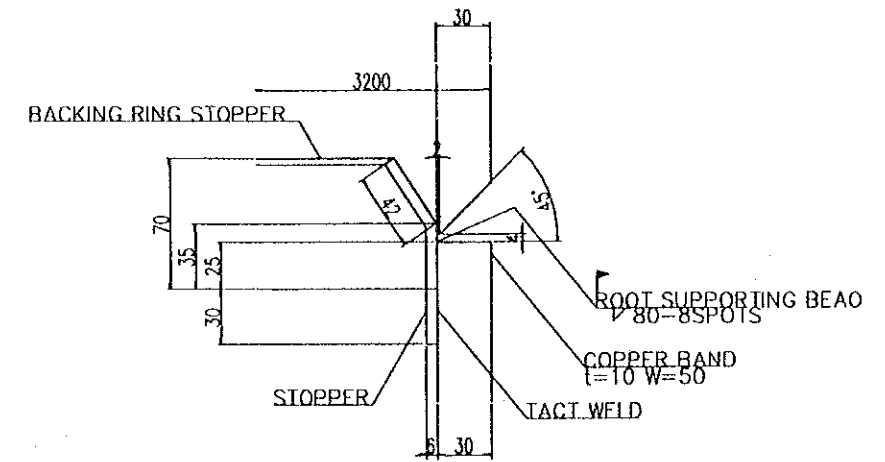
GENERAL DRAWING SCALE 1:400



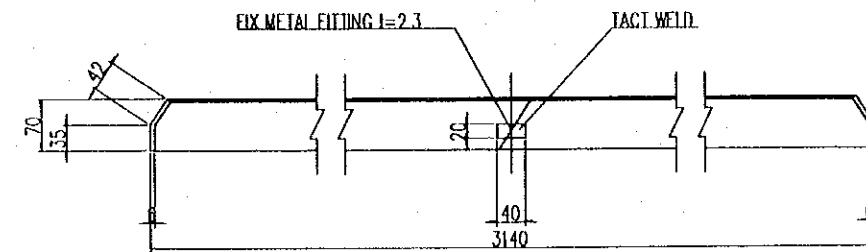
DETAIL OF PILE HEAD SCALE 1:60



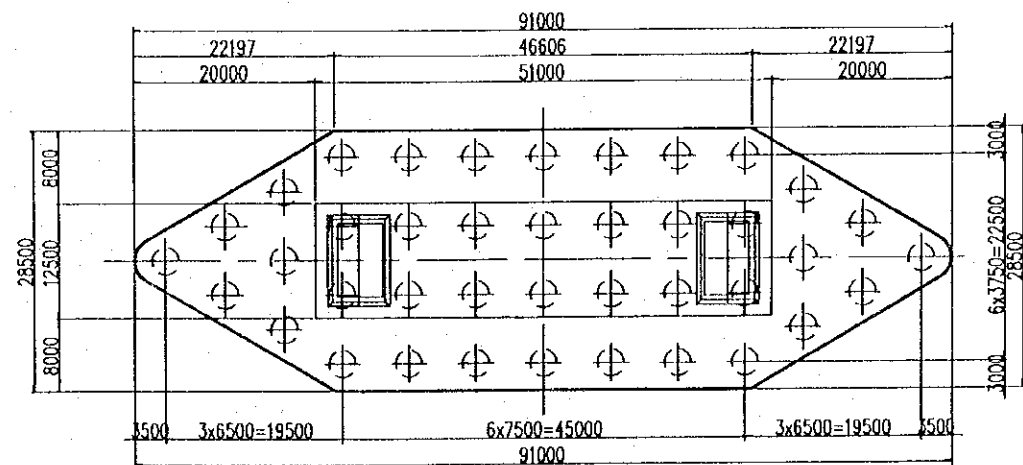
DETAIL OF FIELD JOINT SCALE 1:10



BACKING RING STOPPER



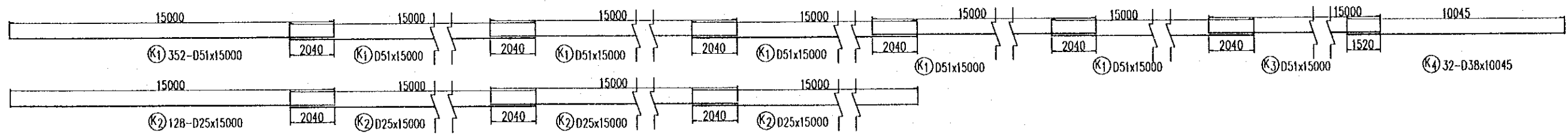
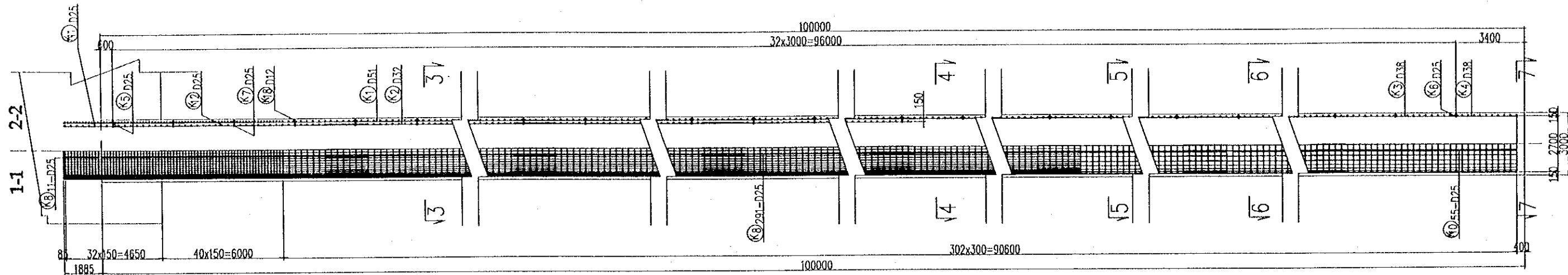
PILE CAP PLAN



| PROJECT NAME | IMPLEMENTATION AGENCY | EXECUTING AGENCY | JICA STUDY TEAM | PREPARED BY | CHECKED BY | APPROVED BY | DRAWING TITLE | DWG NO. |
|--|--|---|-----------------------|-------------|--------------|-------------|--|------------|
| DETAILED DESIGN OF THE CAN THO BRIDGE CONSTRUCTION PROJECT | JICA JAPAN INTERNATIONAL COOPERATION AGENCY (JICA) | SOCIALIST REPUBLIC OF VIET NAM MINISTRY OF TRANSPORT (MOT) MY THUAN PROJECT MANAGEMENT UNIT | NIPPON KOHI CO., LTD. | S. Kiguchi | K. Matsumoto | K. Enomoto | CABLE STAYED BRIDGE SUB STRUCTURE DETAIL OF PILE | P2/CS/4240 |
| | | | | SIGNATURE | SIGNATURE | SIGNATURE | | |
| | | | | DATE | DATE | DATE | | |
| | | | | 20/9/2000 | 29/9/2000 | 5/10/2000 | | |

BAR ARRANGEMENT OF PILE

SCALE 1:400

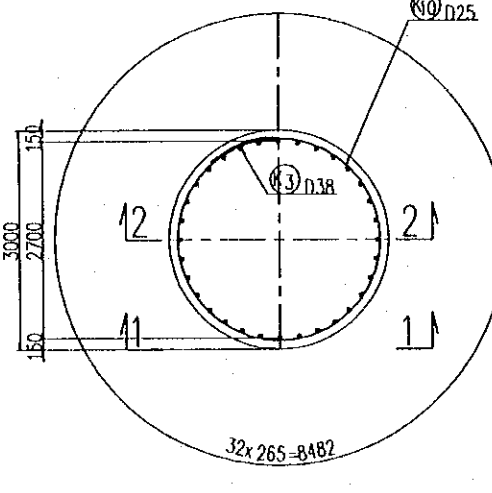
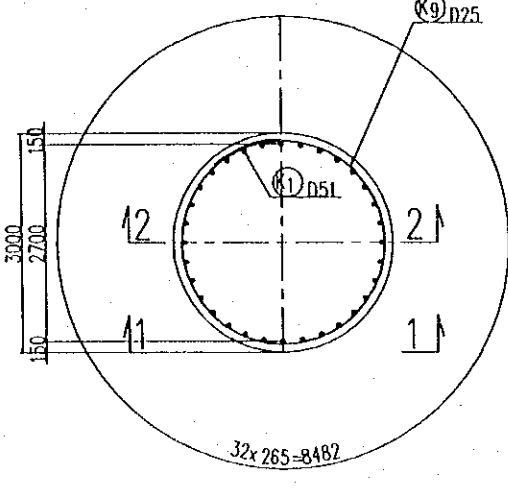
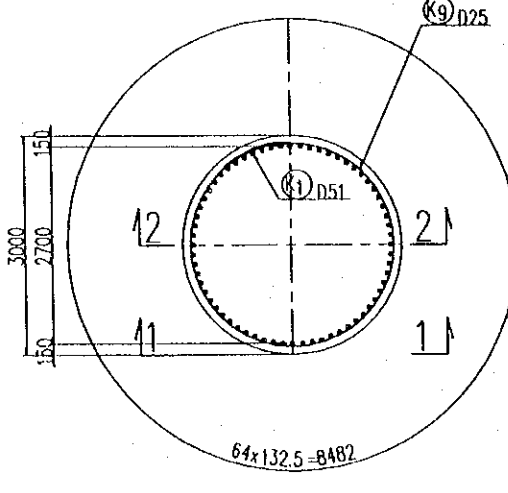
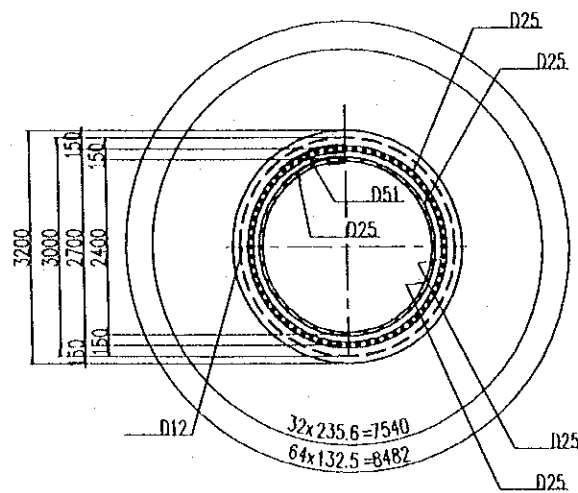


3-3 SCALE 1:200

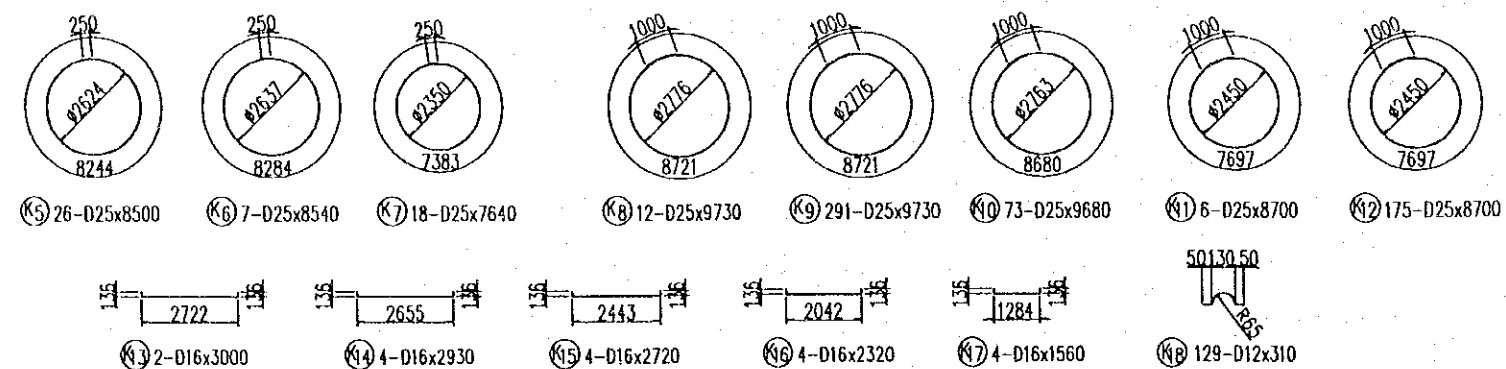
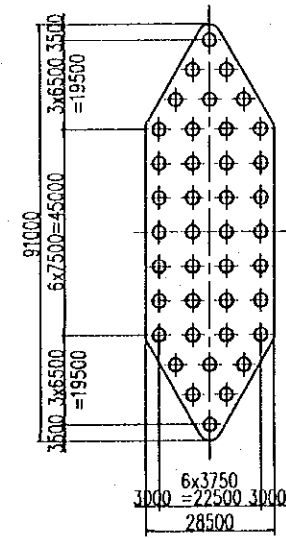
4-4 SCALE 1:200

5-5 SCALE 1:200

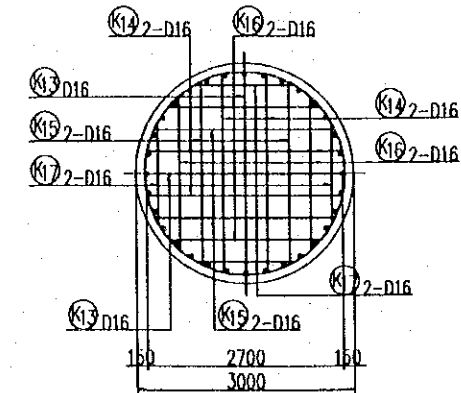
6-6 SCALE 1:200



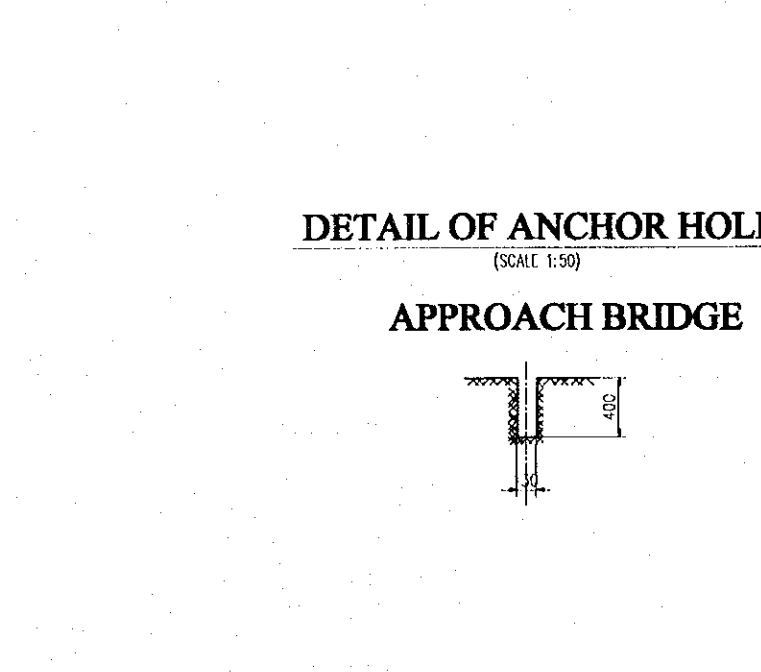
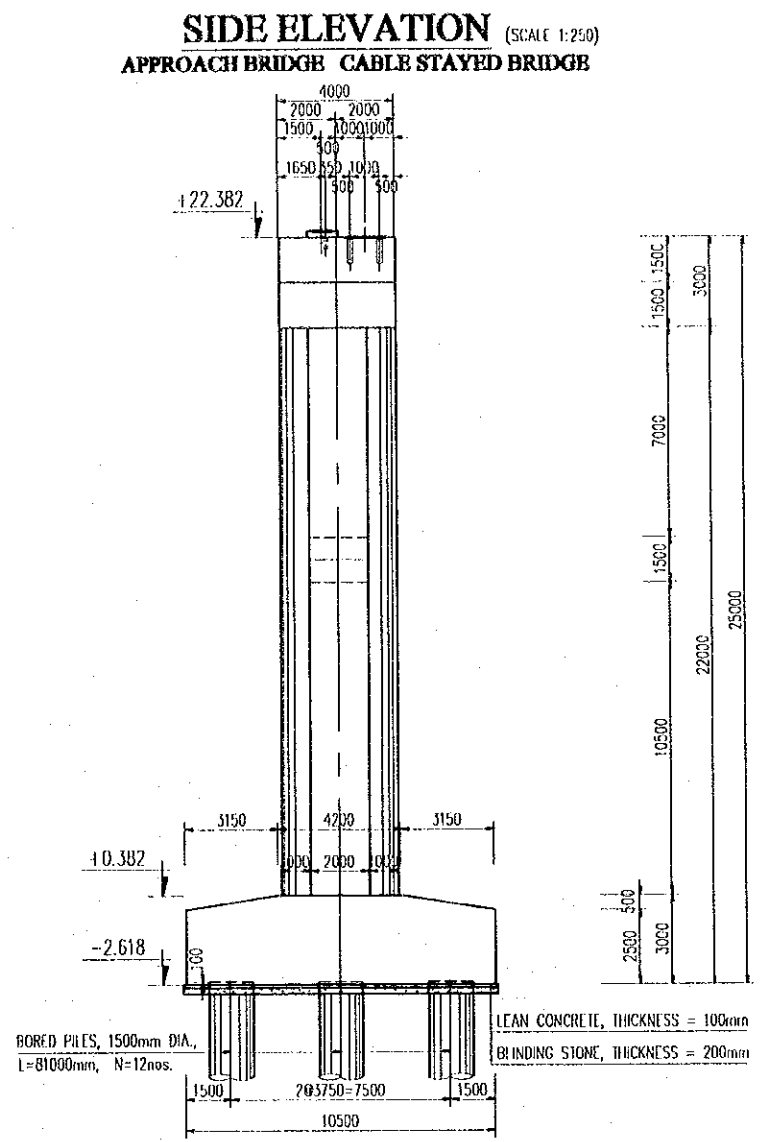
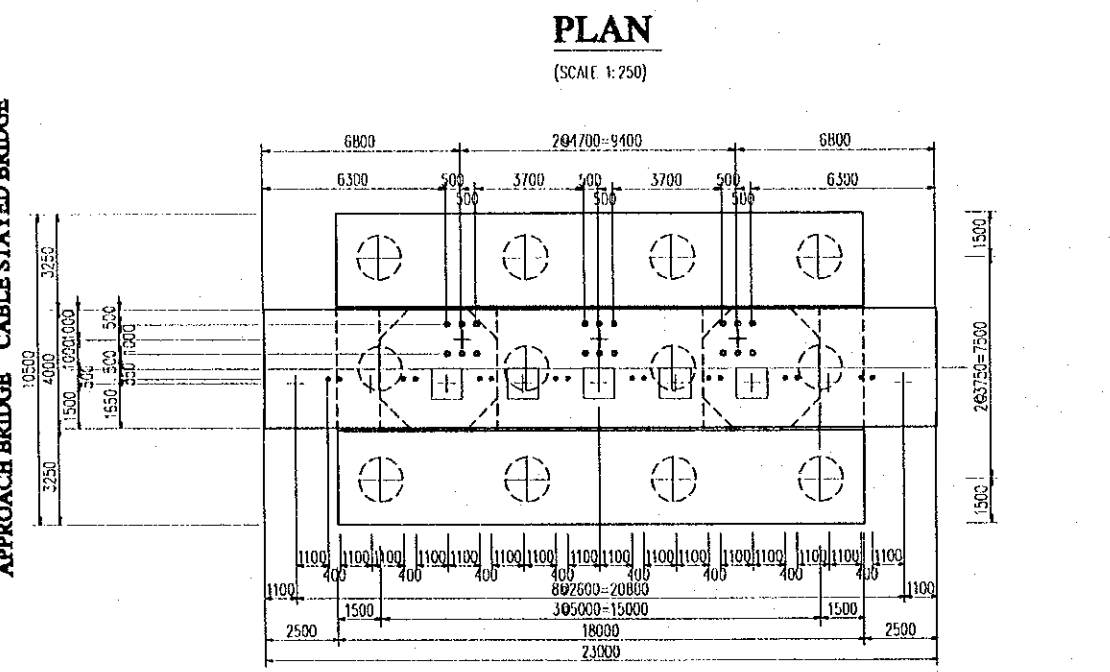
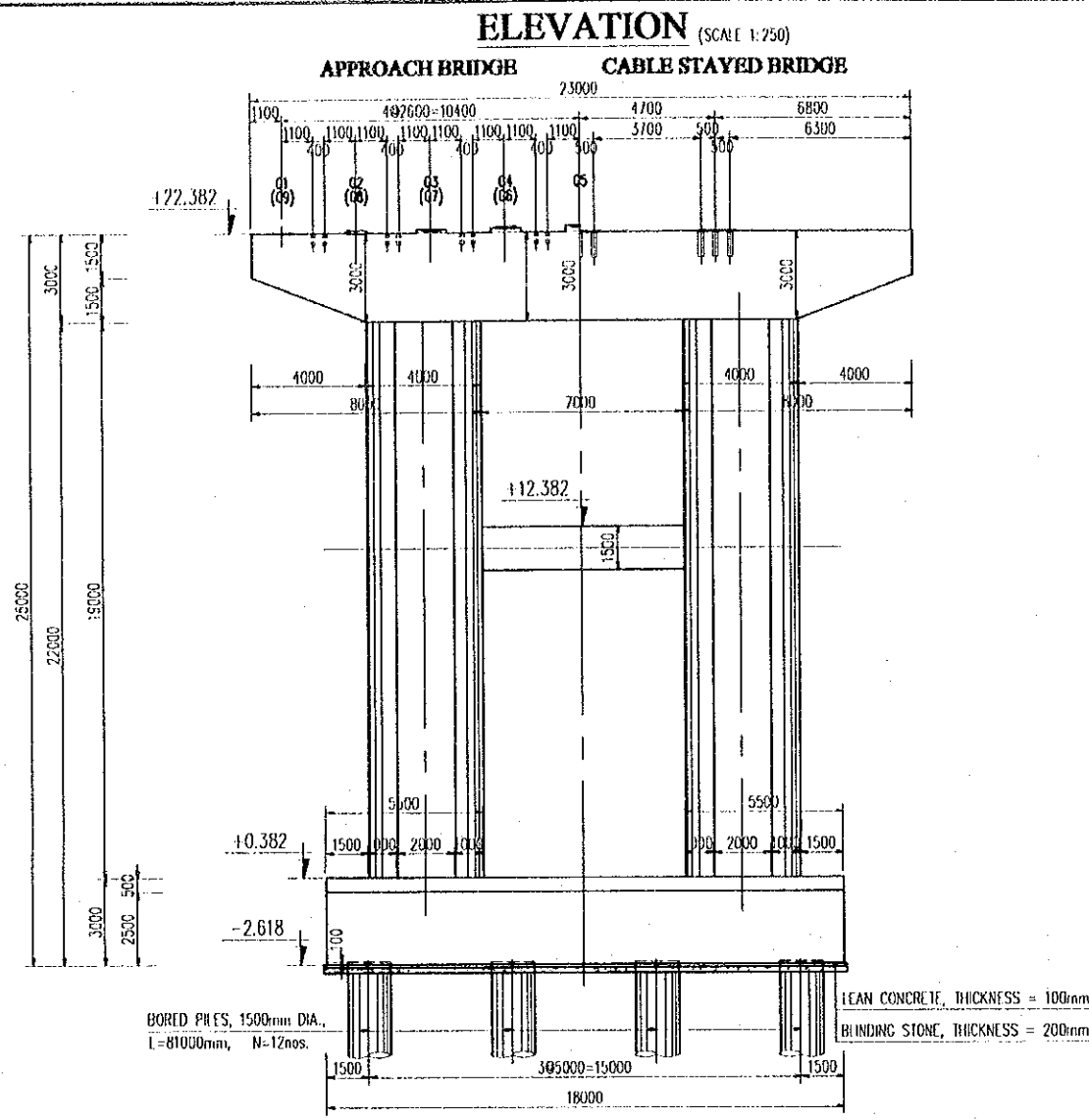
ARRANGEMENT OF PILE



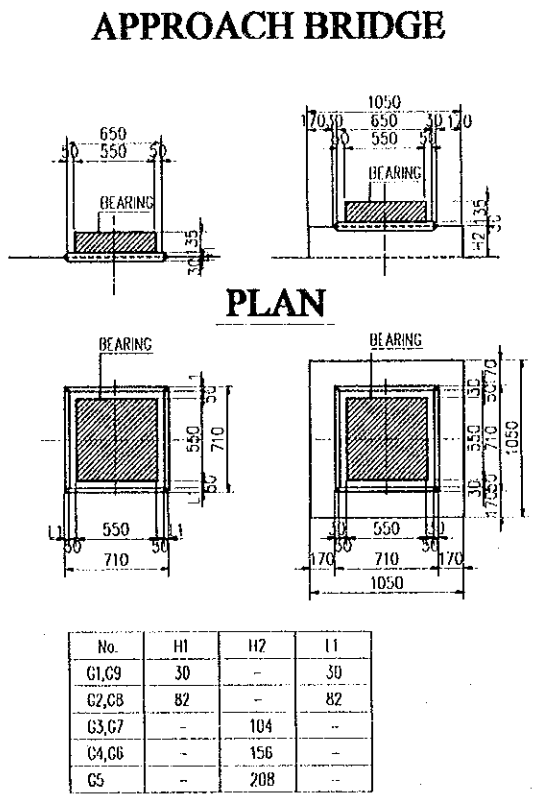
7-7 SCALE 1:200



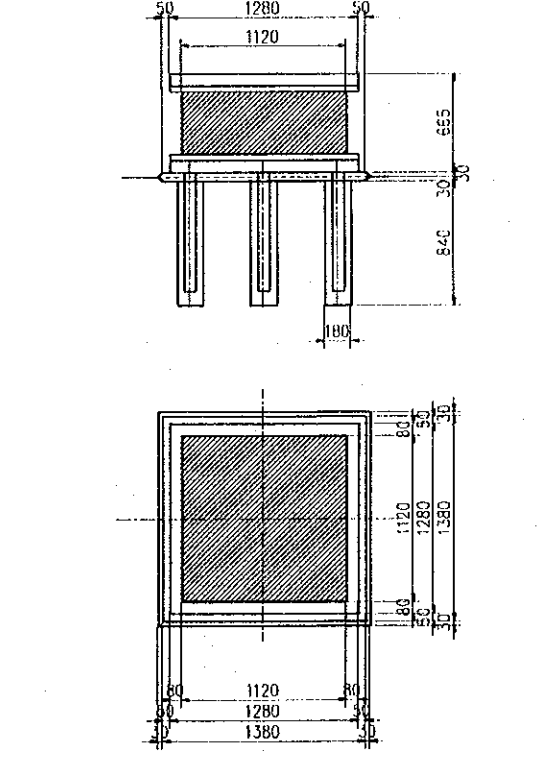
| PROJECT NAME | IMPLEMENTATION AGENCY | EXECUTING AGENCY | JICA STUDY TEAM | PREPARED BY | CHECKED BY | APPROVED BY | DRAWING TITLE | DWG NO. |
|--|---|---|---------------------------|--|--|--|---|------------|
| DETAILED DESIGN OF THE CAN THO BRIDGE CONSTRUCTION PROJECT | JICA JAPAN INTERNATIONAL COOPERATION AGENCY (JICA) | SOCIALIST REPUBLIC OF VIET NAM MINISTRY OF TRANSPORT (MOT) MY THUAN PROJECT MANAGEMENT UNIT | (NK) NIPPON KOEI CO.,LTD. | NAME: S. Kiguchi SIGNATURE: S. Kiguchi DATE: 20/9/2000 | NAME: K. Matsumoto SIGNATURE: K. Matsumoto DATE: 29/9/2000 | NAME: K. Enomoto SIGNATURE: K. Enomoto DATE: 5/10/2000 | CABLE STAYED BRIDGE SUB STRUCTURE BAR ARRANGEMENT OF PILE | P2/CS/4250 |



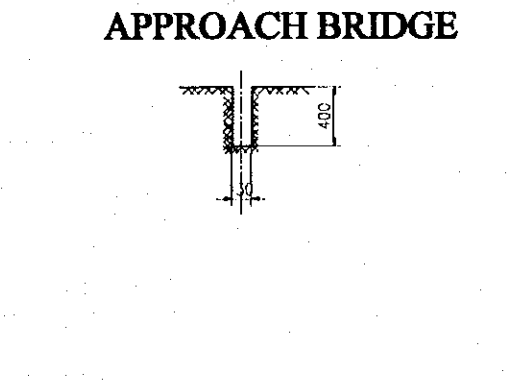
DETAIL OF BRIDGE SEAT
(SCALE 1:50)



CABLE STAYED BRIDGE



DETAIL OF ANCHOR HOLE
(SCALE 1:50)



NOTE:
ALL DIMENSIONS ARE IN MILLIMETERS, UNLESS OTHERWISE INDICATED.

| PROJECT NAME | IMPLEMENTATION AGENCY | EXECUTING AGENCY | JICA STUDY TEAM | PREPARED BY | CHECKED BY | APPROVED BY | DRAWING TITLE | DWG NO. |
|--|---|---|---------------------|-----------------|-----------------|-----------------|---|------------|
| DETAILED DESIGN OF THE CAN THO BRIDGE CONSTRUCTION PROJECT | JICA JAPAN INTERNATIONAL COOPERATION AGENCY (JICA) | SOCIALIST REPUBLIC OF VIET NAM MINISTRY OF TRANSPORT (MOT) MY THUAN PROJECT MANAGEMENT UNIT | NIPON KOEI CO.,LTD. | S. Kiguchi | K. Matsumoto | K. Enomoto | CABLE STAYED BRIDGE SUBSTRUCTURE GENERAL VIEW OF PIER No. 12 | P2/CS/4260 |
| | | | | DATE: 20/9/2000 | DATE: 29/9/2000 | DATE: 5/10/2000 | | |

HALF SECTION 1-1

SCALE 1:150

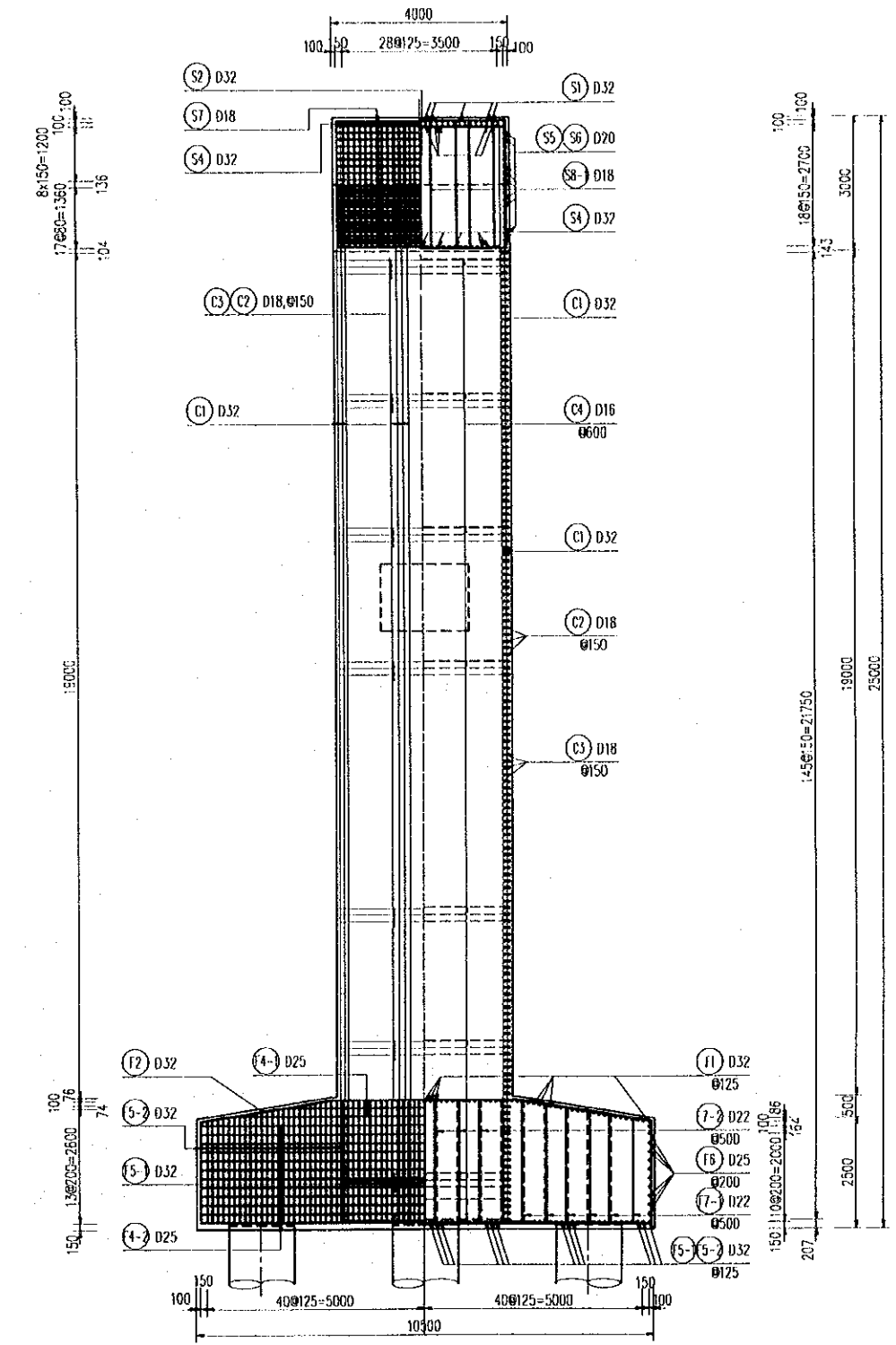
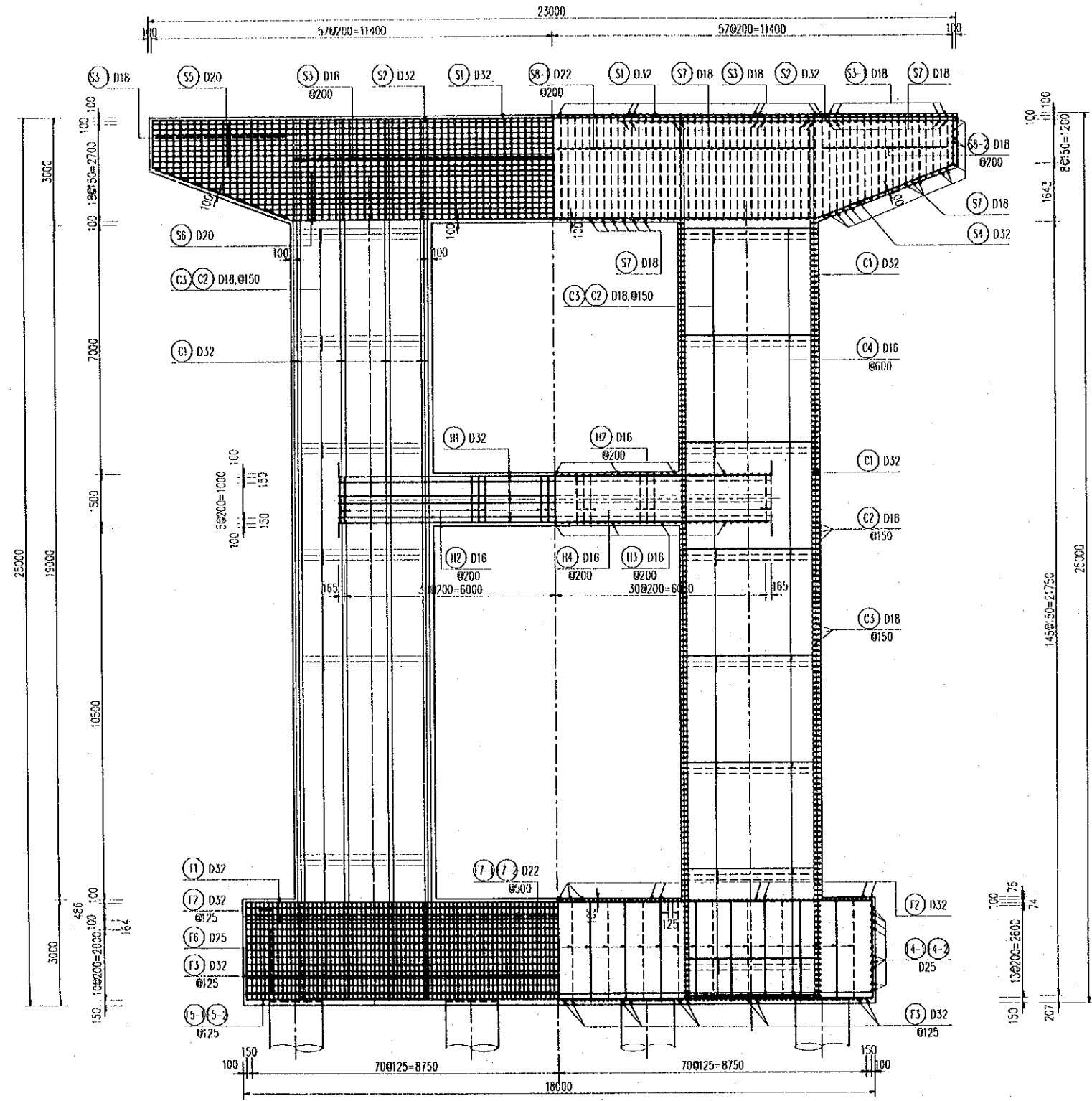
HALF SECTION 2-2

SCALE 1:150

HALF SECTION 3-3 HALF SECTION 4-4

SCALE 1:150

SCALE 1:150



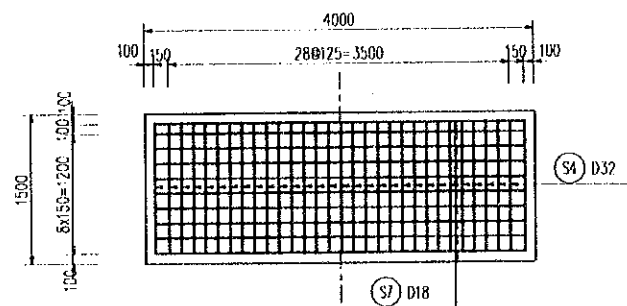
NOTE:

ALL DIMENSIONS ARE IN MILLIMETERS, UNLESS OTHERWISE INDICATED.

| PROJECT NAME | IMPLEMENTATION AGENCY | EXECUTING AGENCY | JICA STUDY TEAM | PREPARED BY | CHECKED BY | APPROVED BY | DRAWING TITLE | DWG NO. |
|--|---|---|-----------------------|---|---|---|--|------------|
| DETAILED DESIGN OF THE CAN THO BRIDGE CONSTRUCTION PROJECT | JICA JAPAN INTERNATIONAL COOPERATION AGENCY (JICA) | SOCIALIST REPUBLIC OF VIET NAM MINISTRY OF TRANSPORT (MOT) MY THUAN PROJECT MANAGEMENT UNIT | NIPPON KOEI CO., LTD. | NAME: S. Kiguchi SIGNATURE: <i>S. Kiguchi</i> DATE: 20/9/2000 | NAME: K. Matsumoto SIGNATURE: <i>K. Matsumoto</i> DATE: 29/9/2000 | NAME: K. Enomoto SIGNATURE: <i>K. Enomoto</i> DATE: 5/10/2000 | CABLE STAYED BRIDGE SUBSTRUCTURE REINFORCEMENT ARRANGEMENT OF PIER No.12 (SHEET 1/2) | P2-CS-4270 |

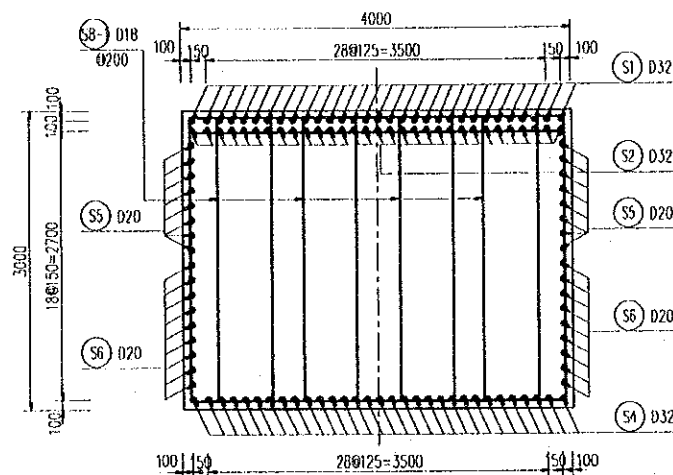
SECTION 5-5

SCALE 1:75



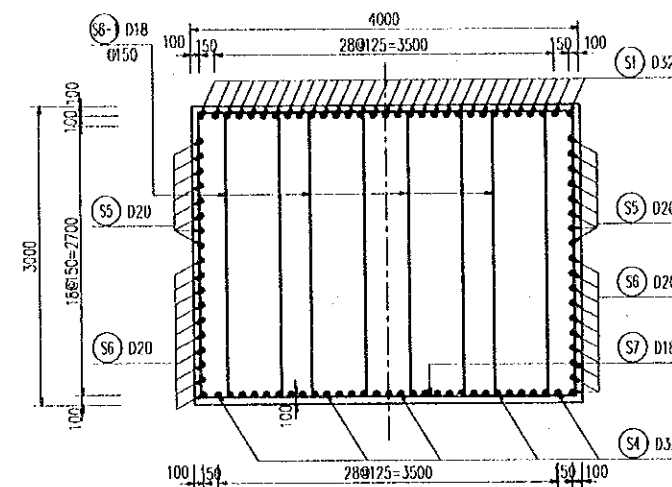
SECTION 6-6

SCALE 1:75



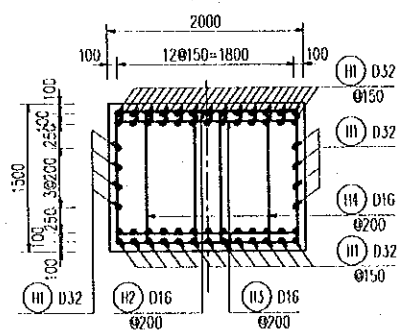
SECTION 7-7

SCALE 1:75



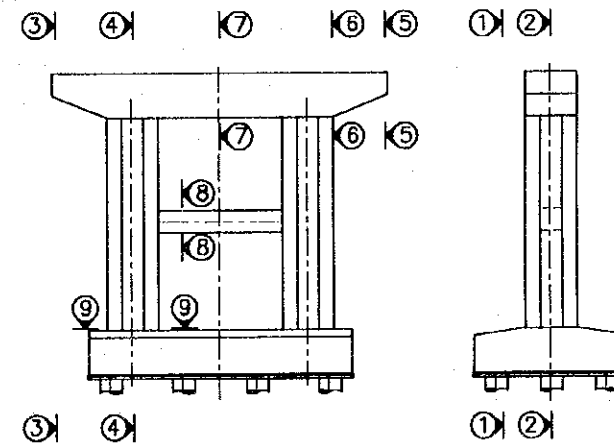
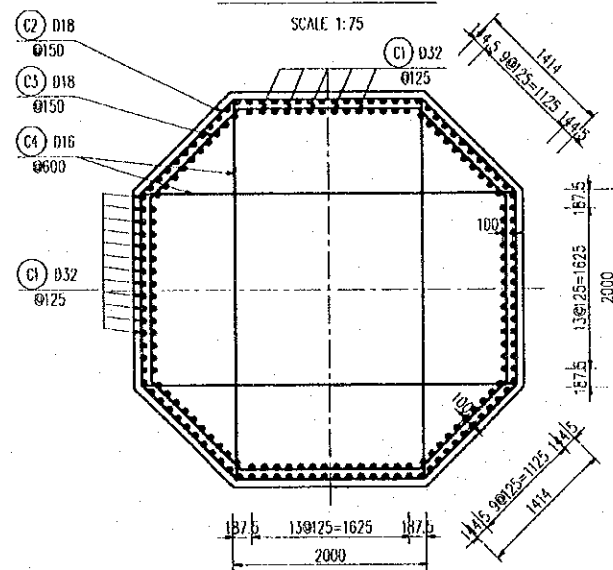
SECTION 8-8

SCALE 1:75



SECTION 9-9

SCALE 1:75



NOTE:

ALL DIMENSIONS ARE IN MILLIMETERS, UNLESS OTHERWISE INDICATED.

| PROJECT NAME | IMPLEMENTATION AGENCY | EXECUTING AGENCY | JICA STUDY TEAM | PREPARED BY | CHECKED BY | APPROVED BY | DRAWING TITLE | DWG NO. |
|--|--|---|---------------------|-----------------|-----------------|-----------------|--|------------|
| DETAILED DESIGN OF THE CAN THO BRIDGE CONSTRUCTION PROJECT | JICA JAPAN INTERNATIONAL COOPERATION AGENCY (JICA) | SOCIALIST REPUBLIC OF VIET NAM MINISTRY OF TRANSPORT (MOT) MY THUAN PROJECT MANAGEMENT UNIT | NIPON KOKI CO.,LTD. | S. Kiguchi | K. Matsumoto | K. Enomoto | CABLE STAYED BRIDGE SUBSTRUCTURE REINFORCEMENT ARRANGEMENT OF PIER No.12 (SHEET 2/2) | P2-CS-4280 |
| | | | | DATE: 20/9/2000 | DATE: 29/9/2000 | DATE: 5/10/2000 | | |