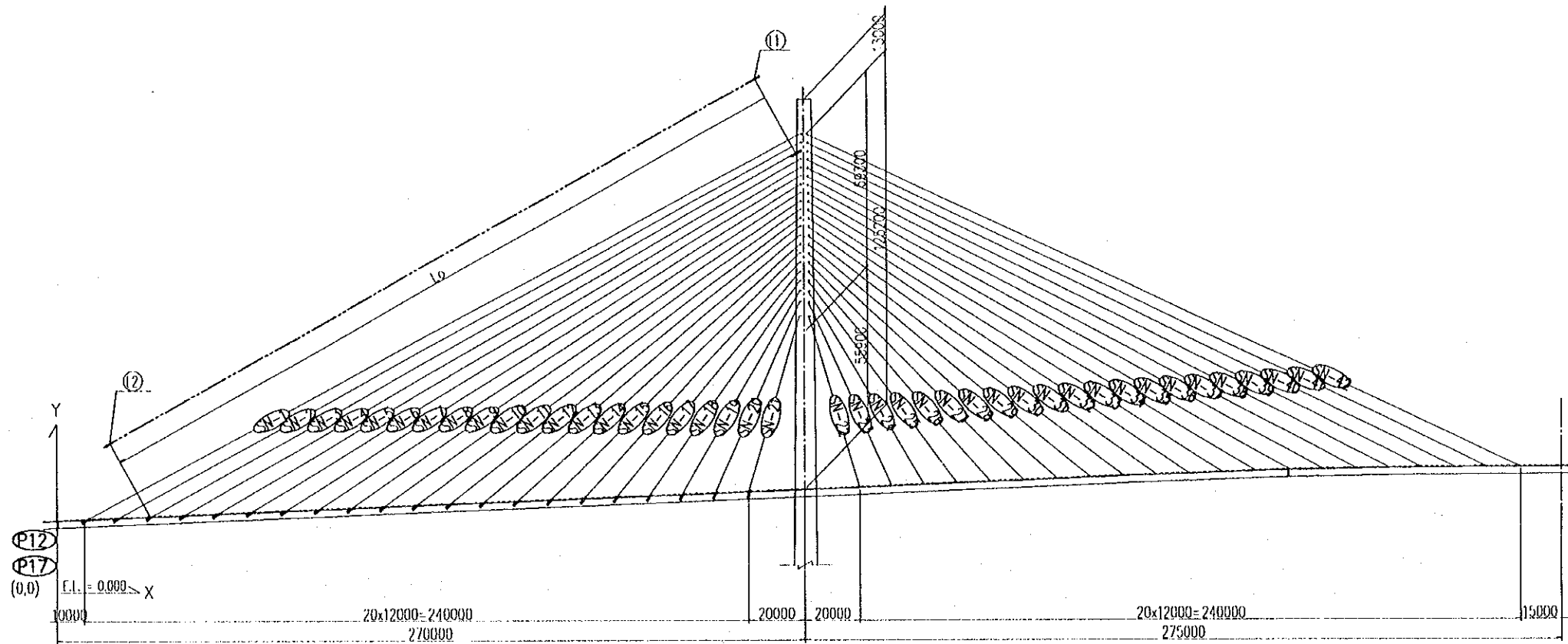
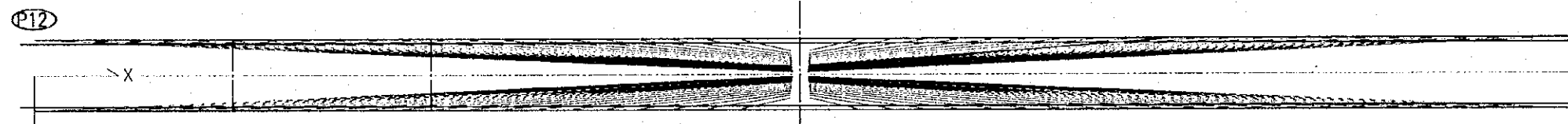


### **III. STAY CABLE**

# ARRANGEMENT OF STAY CABLE (1) SCALE 1:2000



**NORTHERN PYLON  
(SOUTHERN PYLON)**



SCALE: 1:2000

CABLE No.	Ngs of Strand	I1			I2			ANGLE Y-Z	LENGTH L <sub>0</sub> (m)
		X	Y	Z	X	Y	Z		
SN-1	60	267.382	161.800	0.752	10.000	25.886	12.000	87.4976	291.281
SN-2	60	267.355	158.800	0.926	22.000	26.366	12.000	87.4158	279.035
SN-3	60	267.328	155.800	1.100	34.000	26.846	12.000	87.3255	266.814
SN-4	55	267.300	152.800	1.275	46.000	27.326	12.000	87.2254	254.622
SN-5	55	267.273	149.800	1.449	58.000	27.806	12.000	87.1139	242.465
SN-6	55	267.246	146.800	1.624	70.000	28.286	12.000	86.9887	230.346
SN-7	55	267.219	143.800	1.798	82.000	28.766	12.000	86.8474	218.273
SN-8	50	267.191	140.800	1.973	94.000	29.246	12.000	86.6865	206.252
SN-9	50	267.164	137.800	2.147	106.000	29.726	12.000	86.5016	194.296
SN-10	50	267.137	134.800	2.321	118.000	30.206	12.000	86.2870	182.416
SN-11	50	267.110	131.800	2.473	130.000	30.686	12.000	86.0349	170.628
SN-12	55	267.083	128.800	2.916	142.000	31.166	12.000	85.8467	158.936
SN-13	60	267.053	125.500	3.360	154.000	31.646	12.000	85.6523	147.188
SN-14	50	267.023	122.200	3.804	166.000	32.126	12.000	85.4119	135.596
SN-15	45	266.993	118.900	4.247	178.000	32.606	12.000	85.1006	124.204
SN-16	45	266.962	115.500	4.691	190.000	33.086	12.000	84.7173	112.998
SN-17	37	266.930	112.000	5.134	202.000	33.566	12.000	84.1973	102.054
SN-18	37	266.897	108.300	5.578	214.000	34.046	12.000	83.4739	91.395
SN-19	37	266.860	104.300	6.022	226.000	34.526	12.000	82.3896	81.078
SN-20	37	266.817	99.500	6.465	238.000	35.006	12.000	80.6413	70.856
SN-21	37	266.753	92.500	6.909	250.000	35.486	12.000	77.5028	59.642

CABLE No.	Ngs of Strand	I1			I2			ANGLE Y-Z	LENGTH L <sub>0</sub> (m)
		X	Y	Z	X	Y	Z		
SN-22	37	273.247	92.500	6.909	290.000	37.086	12.000	87.4976	58.115
SN-23	37	273.183	99.500	6.465	302.000	37.566	12.000	87.4158	68.534
SN-24	37	273.140	104.300	6.022	314.000	38.046	12.000	87.3255	78.070
SN-25	45	273.103	108.300	5.578	326.000	38.526	12.000	87.2254	87.794
SN-26	50	273.070	112.000	5.134	338.000	39.006	12.000	87.1139	97.934
SN-27	50	273.038	115.500	4.691	350.000	39.486	12.000	86.9887	108.419
SN-28	55	273.007	118.900	4.247	362.000	39.966	12.000	86.8474	119.208
SN-29	55	272.977	122.200	3.804	374.000	40.446	12.000	86.6865	130.217
SN-30	60	272.947	125.500	3.360	386.000	40.926	12.000	86.5016	141.451
SN-31	60	272.917	128.800	2.916	398.000	41.385	12.000	86.2870	152.871
SN-32	70	272.890	131.800	2.473	410.000	41.809	12.000	86.0349	164.281
SN-33	70	272.863	134.800	2.321	422.000	42.196	12.000	85.8467	175.815
SN-34	70	272.836	137.800	2.147	434.000	42.547	12.000	85.6523	187.467
SN-35	37	272.809	140.800	1.973	446.000	42.862	12.000	85.4119	199.217
SN-36	30	272.781	143.800	1.798	458.000	43.141	12.000	85.1066	211.051
SN-37	30	270.754	146.800	1.624	470.000	43.384	12.000	84.7173	224.725
SN-38	30	272.727	149.800	1.449	482.000	43.591	12.000	84.1973	234.919
SN-39	37	272.700	152.800	1.275	494.000	43.762	12.000	83.4739	246.937
SN-40	37	272.672	155.800	1.100	506.000	43.897	12.000	82.3896	259.004
SN-41	45	272.645	158.800	0.926	518.000	43.996	12.000	80.6413	271.112
SN-42	50	272.618	161.800	0.752	530.000	44.059	12.000	77.5028	283.258

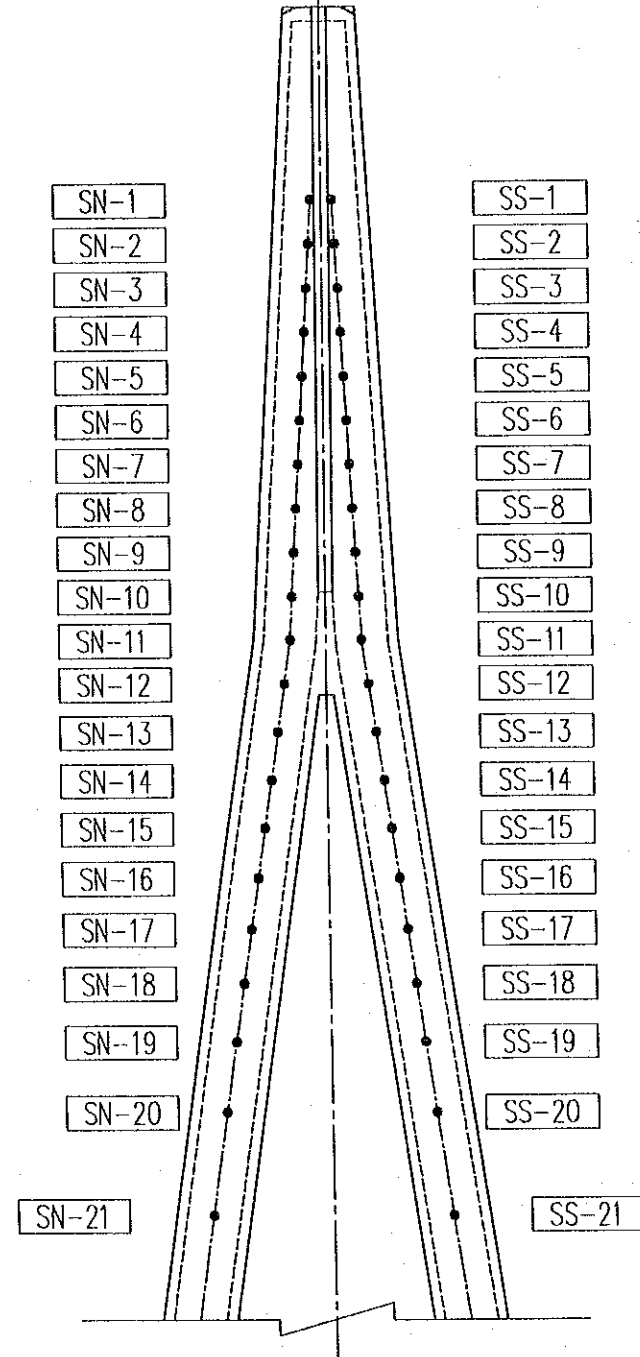
<b>PROJECT NAME</b> DETAILED DESIGN OF THE CAN THO BRIDGE CONSTRUCTION PROJECT	<b>IMPLEMENTATION AGENCY</b> JAPAN INTERNATIONAL COOPERATION AGENCY (JICA)	<b>EXECUTING AGENCY</b> SOCIALIST REPUBLIC OF VIET NAM MINISTRY OF TRANSPORT (MOT) MY THUAN PROJECT MANAGEMENT UNIT	<b>JICA STUDY TEAM</b> NIPPON KOEI CO.,LTD.	<b>PREPARED BY</b> NAME: S. Kiguchi SIGNATURE: <i>S. Kiguchi</i> DATE: 20/9/2000	<b>CHECKED BY</b> NAME: K. Matsumoto SIGNATURE: <i>K. Matsumoto</i> DATE: 29/9/2000	<b>APPROVED BY</b> NAME: K. Enomoto SIGNATURE: <i>K. Enomoto</i> DATE: 5/10/2000	<b>DRAWING TITLE</b> CABLE STAYED BRIDGE STAY CABLE ARRANGEMENT OF STAY CABLE (1)	<b>DWG NO.</b> P2/CS/2010
---	---	--	--	---	--	---	--	------------------------------

# ARRANGEMENT OF STAY CABLE (2)

## FRONT ELEVATION

SCALE: 1:500

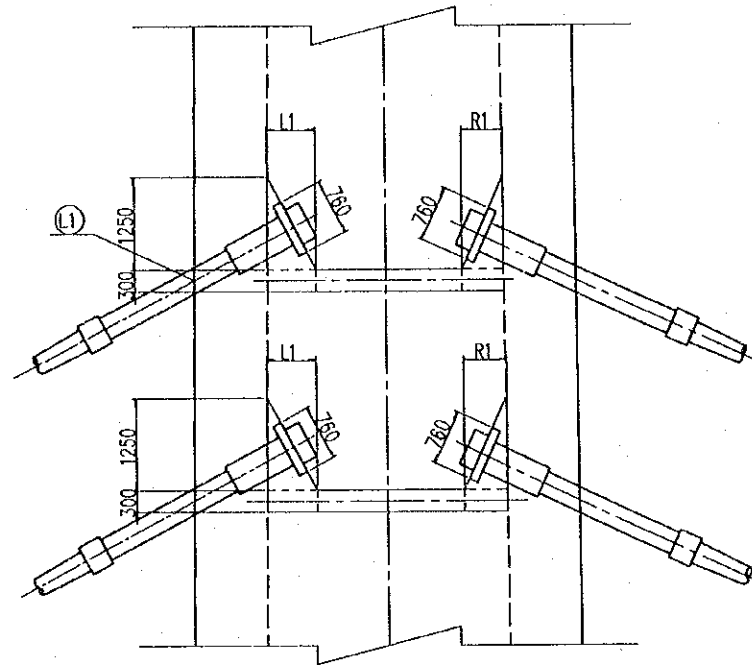
NORTHERN PYLON LEFT      SOUTHERN PYLON RIGHT



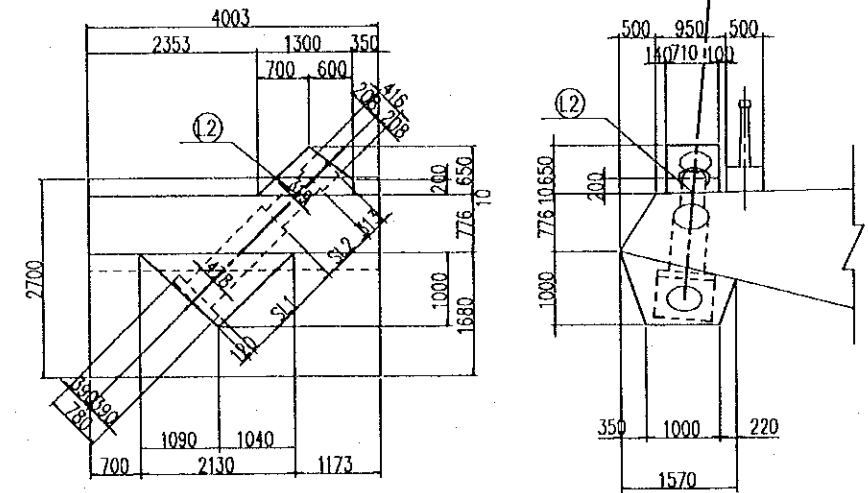
## ANCHORAGE LAYOUT

SCALE: 1:100

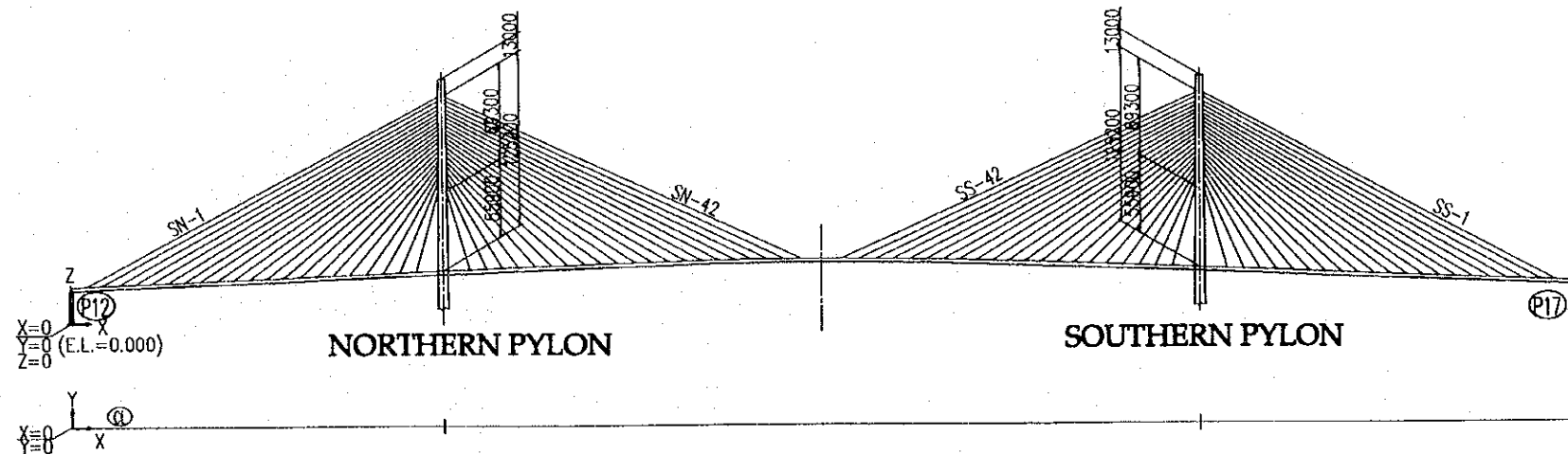
PYLON (FIXED END)



GIRDER (ADJUSTMENT END)



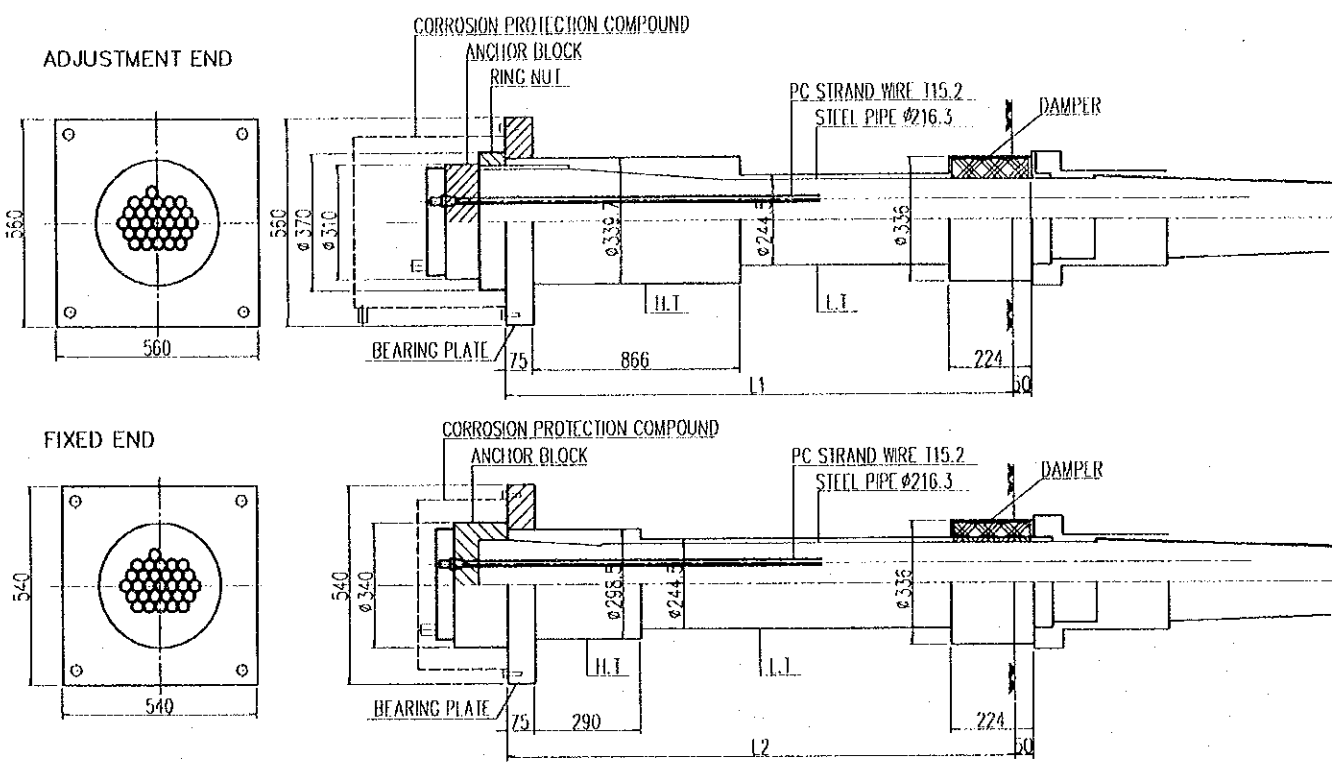
## MARK



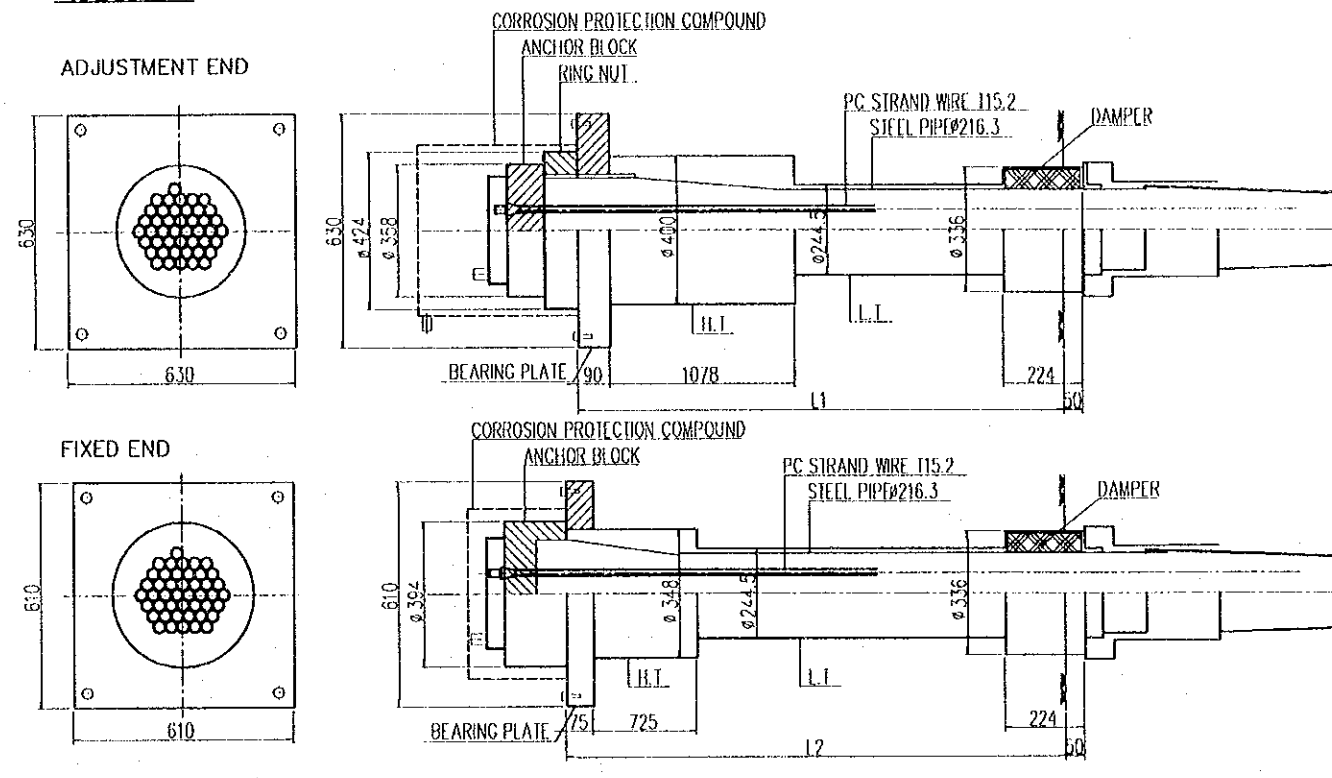
PROJECT NAME	IMPLEMENTATION AGENCY	EXECUTING AGENCY	JICA STUDY TEAM	PREPARED BY	CHECKED BY	APPROVED BY	DRAWING TITLE	DWG NO.
DETAILED DESIGN OF THE CAN THO BRIDGE CONSTRUCTION PROJECT	JICA JAPAN INTERNATIONAL COOPERATION AGENCY (JICA)	SOCIALIST REPUBLIC OF VIET NAM MINISTRY OF TRANSPORT (MOT) MY THUAN PROJECT MANAGEMENT UNIT	NIPPON KOEI CO.,LTD.	S. Kiguchi	K. Matsumoto	K. Enomoto	CABLE STAYED BRIDGE STAY CABLE ARRANGEMENT OF STAY CABLE (2)	P2/CS/2020
				DATE: 20/9/2000	DATE: 29/9/2000	DATE: 5/10/2000		

# ANCHORAGE OF STAY CABLE (1) SCALE 1:20

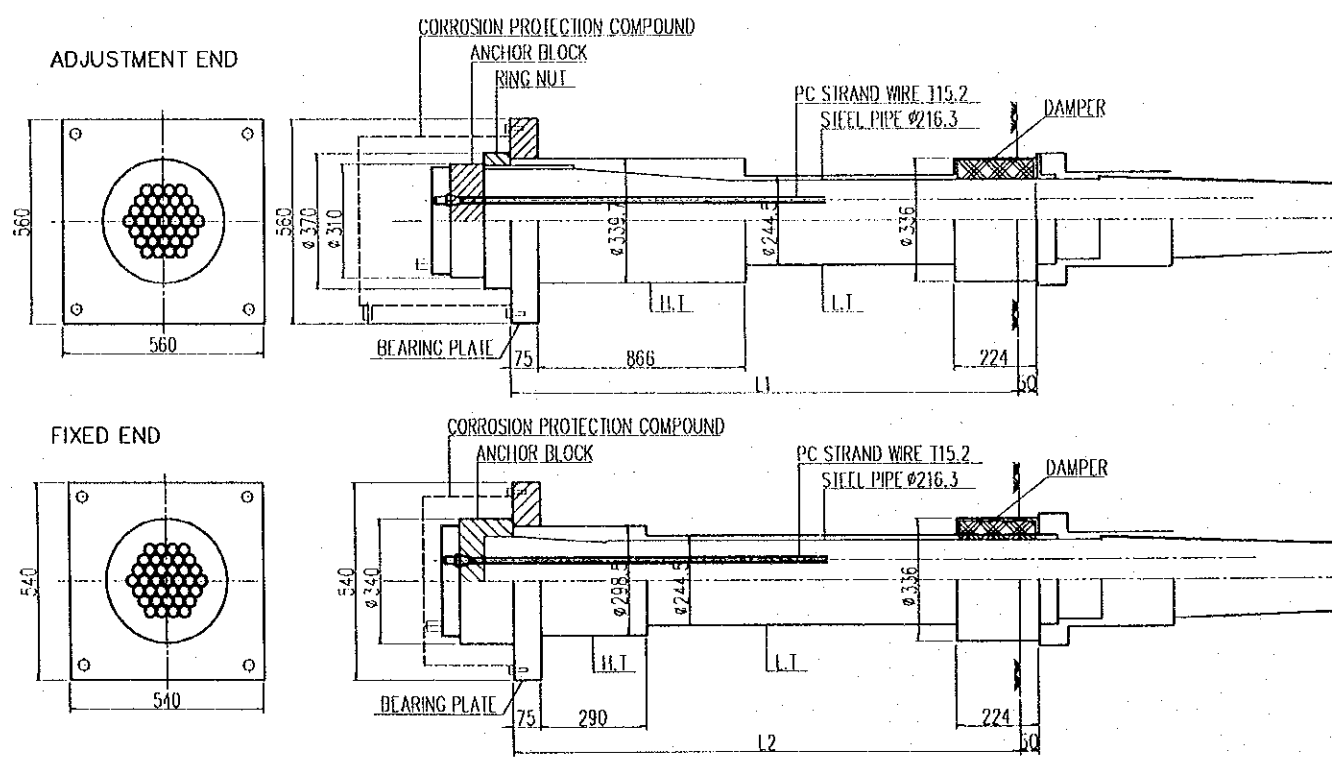
**30S15.2**



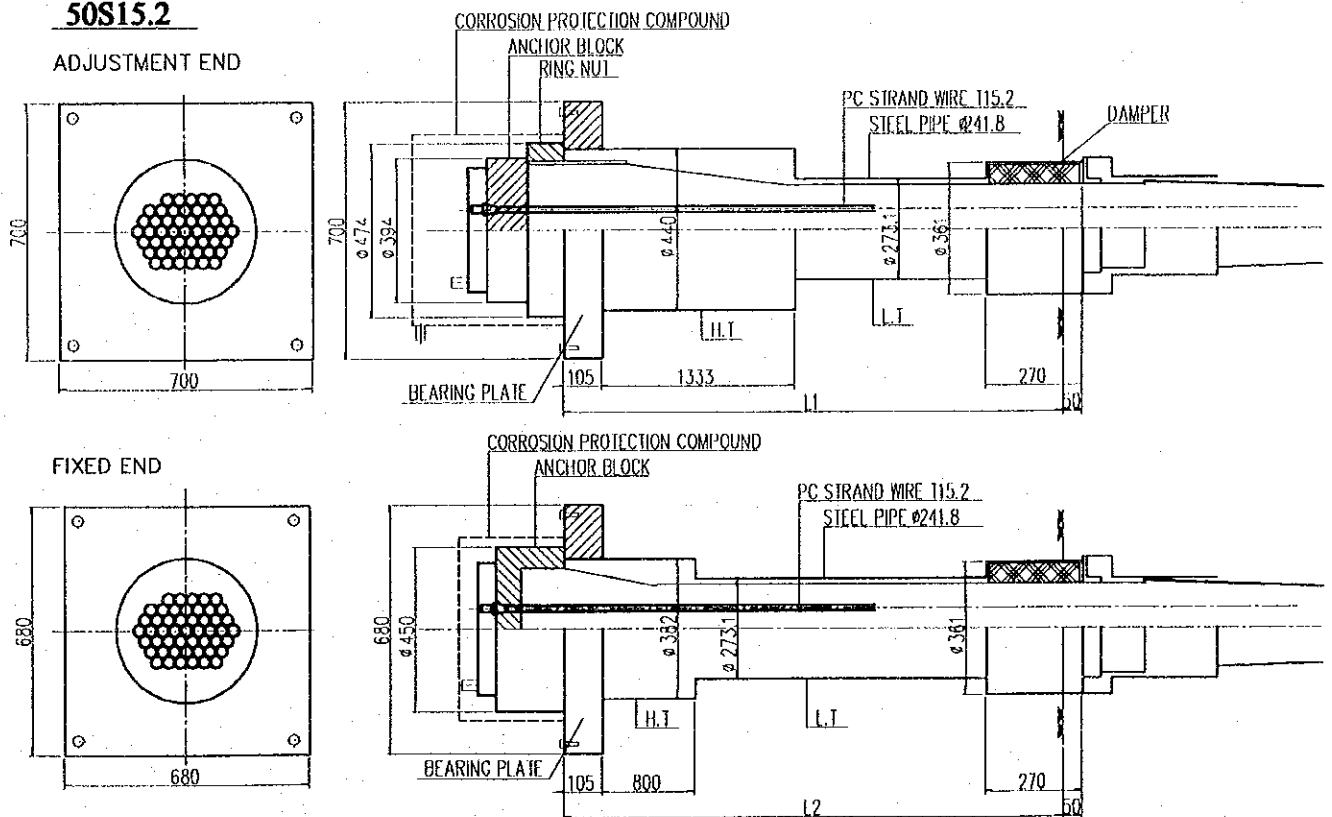
**45S15.2**



**37S15.2**



**50S15.2**

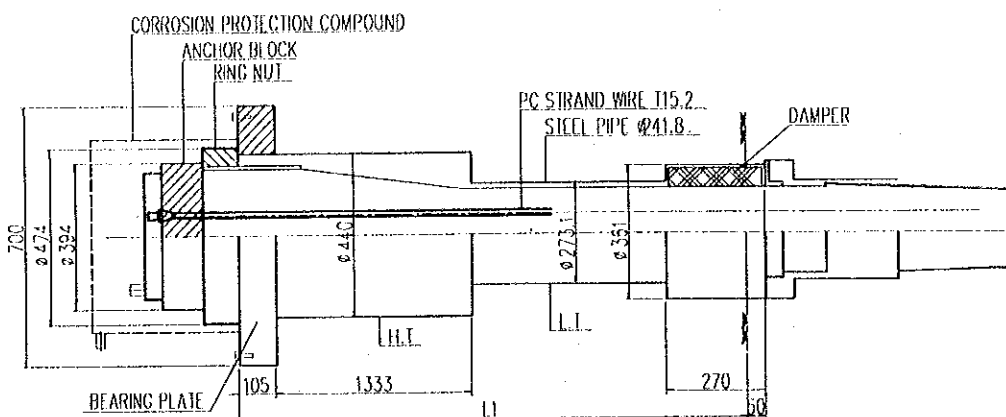
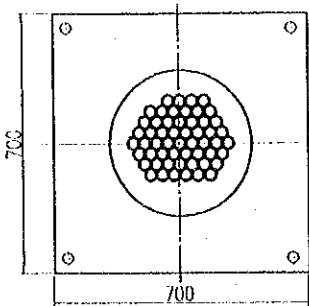


PROJECT NAME	IMPLEMENTATION AGENCY	EXECUTING AGENCY	JICA STUDY TEAM	PREPARED BY	CHECKED BY	APPROVED BY	DRAWING TITLE	DWG NO.
DETAILED DESIGN OF THE CAN THO BRIDGE CONSTRUCTION PROJECT	<b>JAPAN INTERNATIONAL COOPERATION AGENCY (JICA)</b>	<b>SOCIALIST REPUBLIC OF VIET NAM</b> <b>MINISTRY OF TRANSPORT (MOT)</b> <b>MY THUAN PROJECT MANAGEMENT UNIT</b>	<b>NIIPPON KOBEL CO.,LTD.</b>	NAME: S. Kiguchi	K. Matsumoto	K. Enomoto	<b>CABLE STAYED BRIDGE</b> <b>STAY CABLE</b> <b>ANCHORAGE OF STAY CABLE (1)</b>	P2/CS/2000
				SIGNATURE: <i>S. Kiguchi</i>	<i>K. Matsumoto</i>	<i>K. Enomoto</i>		
				DATE: 20/9/2000	29/9/2000	5/10/2000		

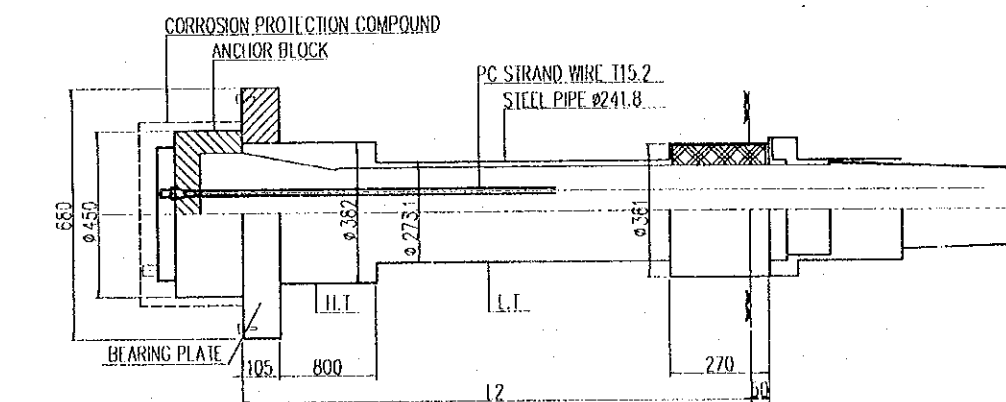
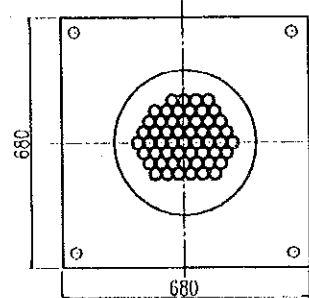
# ANCHORAGE OF STAY CABLE (2) SCALE 1:20

## 55S15.2

ADJUSTMENT END

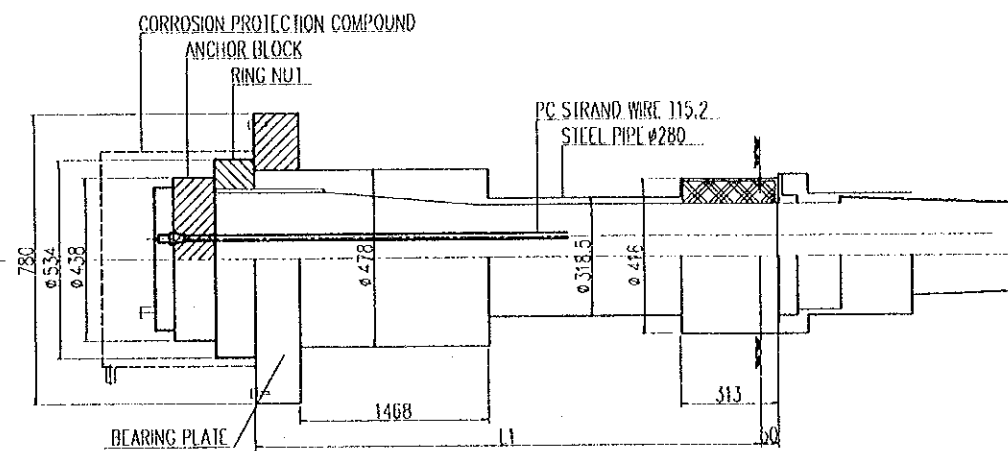
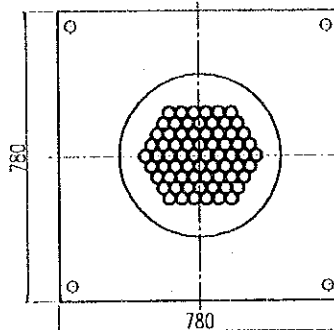


FIXED END

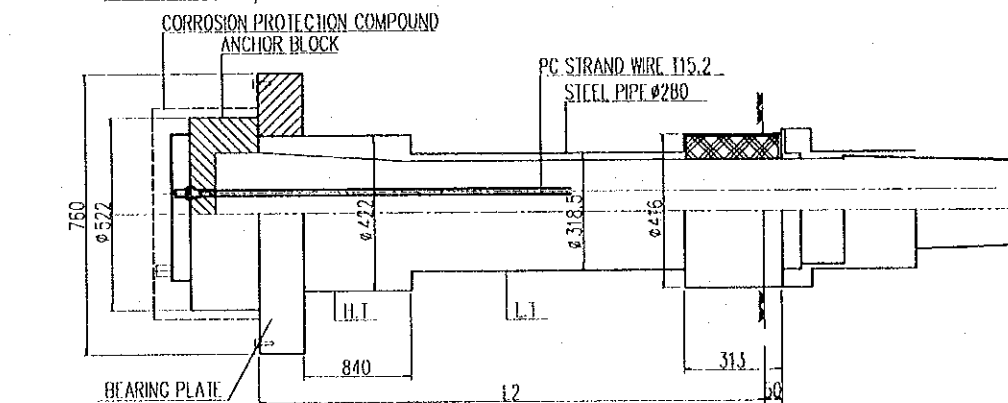
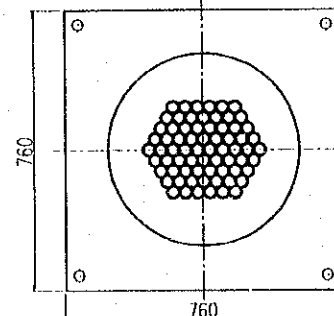


## 70S15.2

ADJUSTMENT END

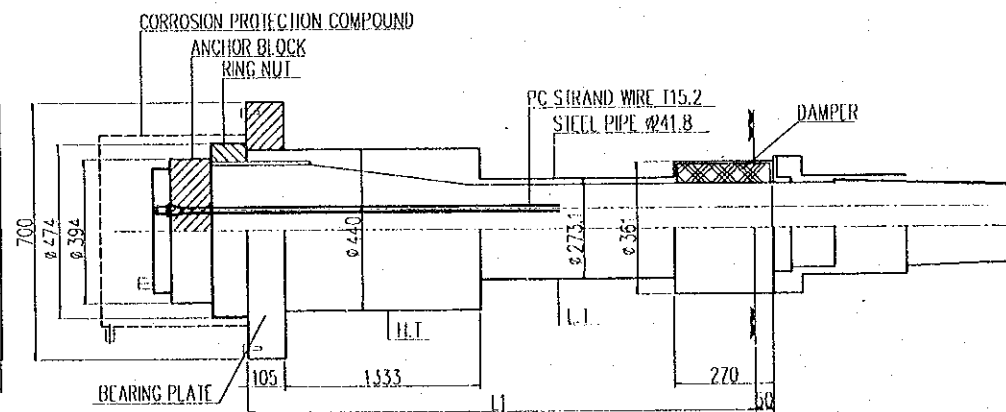
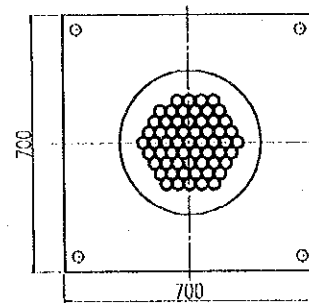


FIXED END

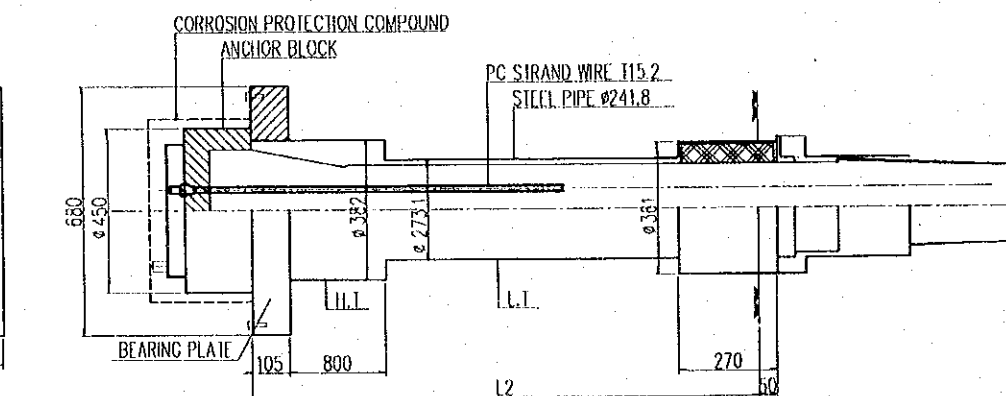
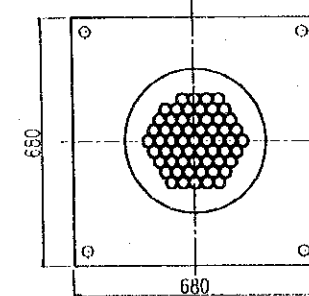


## 60S15.2

ADJUSTMENT END



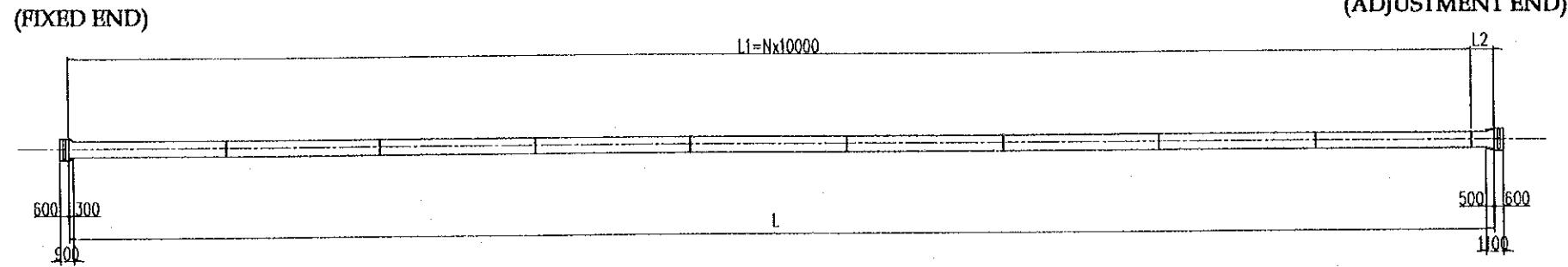
FIXED END



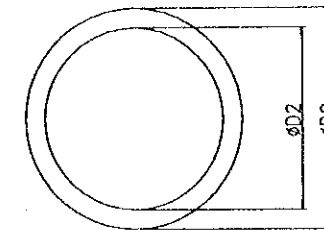
PROJECT NAME	IMPLEMENTATION AGENCY	EXECUTING AGENCY	JICA STUDY TEAM	PREPARED BY	CHECKED BY	APPROVED BY	DRAWING TITLE	DWG NO.
				NAME	NAME	NAME		
DETAILED DESIGN OF THE CAN THO BRIDGE CONSTRUCTION PROJECT	<b>JAPAN INTERNATIONAL COOPERATION AGENCY (JICA)</b>	<b>SOCIALIST REPUBLIC OF VIET NAM</b> <b>MINISTRY OF TRANSPORT (MOT)</b> <b>MY THUAN PROJECT MANAGEMENT UNIT</b>	<b>NIPPON KOKI CO.,LTD.</b>	S. Kiguchi	K. Matsumoto	K. Enomoto	<b>CABLE STAYED BRIDGE</b> <b>STAY CABLE</b> <b>ANCHORAGE OF STAY CABLE (2)</b>	P2/CS/2040
				<i>S. Kiguchi</i>	<i>K. Matsumoto</i>	<i>K. Enomoto</i>		
				20/9/2000	29/9/2000	5/10/2000		

# DETAIL OF P.E. PIPE

## ELEVATION



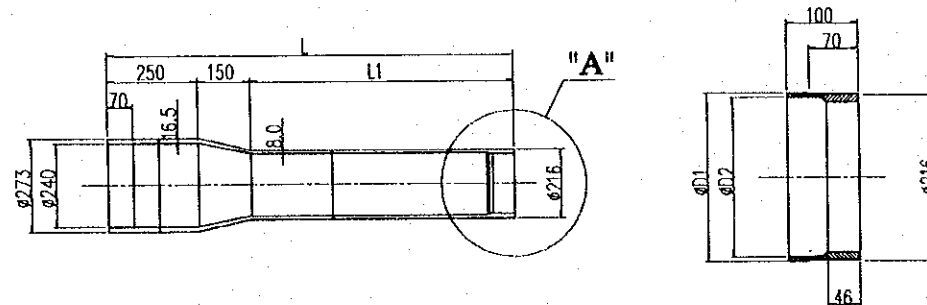
## SECTION



NO	L(m)	L1 (m)	L2(m)	Remarks	NO	L(m)	L1 (m)	L2(m)	Remarks
1	291.281	29x10.000=290.000	1.281	60S15.2	22	58.115	5x10.000=50.000	8.115	37S15.2
2	279.035	27x10.000=270.000	9.035	60S15.2	23	68.534	6x10.000=60.000	8.534	37S15.2
3	266.814	26x10.000=260.000	6.814	60S15.2	24	78.070	7x10.000=70.000	8.070	37S15.2
4	254.622	25x10.000=250.000	4.622	55S15.2	25	87.794	8x10.000=80.000	7.794	45S15.2
5	242.465	24x10.000=240.000	2.465	55S15.2	26	97.934	9x10.000=90.000	7.934	50S15.2
6	230.346	23x10.000=230.000	0.346	55S15.2	27	108.419	10x10.000=100.000	8.419	50S15.2
7	218.273	21x10.000=210.000	8.273	55S15.2	28	119.208	11x10.000=110.000	9.208	55S15.2
8	206.252	20x10.000=200.000	6.252	50S15.2	29	130.217	13x10.000=130.000	0.217	55S15.2
9	194.296	19x10.000=190.000	4.296	50S15.2	30	141.451	14x10.000=140.000	1.451	60S15.2
10	182.416	18x10.000=180.000	2.416	50S15.2	31	152.871	15x10.000=150.000	2.871	60S15.2
11	170.628	17x10.000=170.000	0.628	50S15.2	32	164.281	16x10.000=160.000	4.281	70S15.2
12	158.936	15x10.000=150.000	8.936	55S15.2	33	175.815	17x10.000=170.000	5.815	70S15.2
13	147.188	14x10.000=140.000	7.188	60S15.2	34	187.487	18x10.000=180.000	7.487	70S15.2
14	135.596	13x10.000=130.000	5.596	50S15.2	35	199.217	19x10.000=190.000	9.217	37S15.2
15	124.204	12x10.000=120.000	4.204	45S15.2	36	211.051	21x10.000=210.000	1.051	30S15.2
16	112.998	11x10.000=110.000	2.998	45S15.2	37	224.725	22x10.000=220.000	4.725	30S15.2
17	102.054	10x10.000=100.000	2.054	37S15.2	38	234.919	23x10.000=230.000	4.919	30S15.2
18	91.395	9x10.000=90.000	1.395	37S15.2	39	246.937	24x10.000=240.000	6.937	37S15.2
19	81.078	8x10.000=80.000	1.078	37S15.2	40	259.004	25x10.000=250.000	9.004	37S15.2
20	70.856	7x10.000=70.000	0.856	37S15.2	41	271.112	27x10.000=270.000	1.112	45S15.2
21	59.642	5x10.000=50.000	9.642	37S15.2	42	283.258	28x10.000=280.000	3.258	50S15.2

	D1	D2
30S15.2	165	150
37S15.2		
45S15.2	200	184
50S15.2		
55S15.2		
60S15.2	216	200
70S15.2		

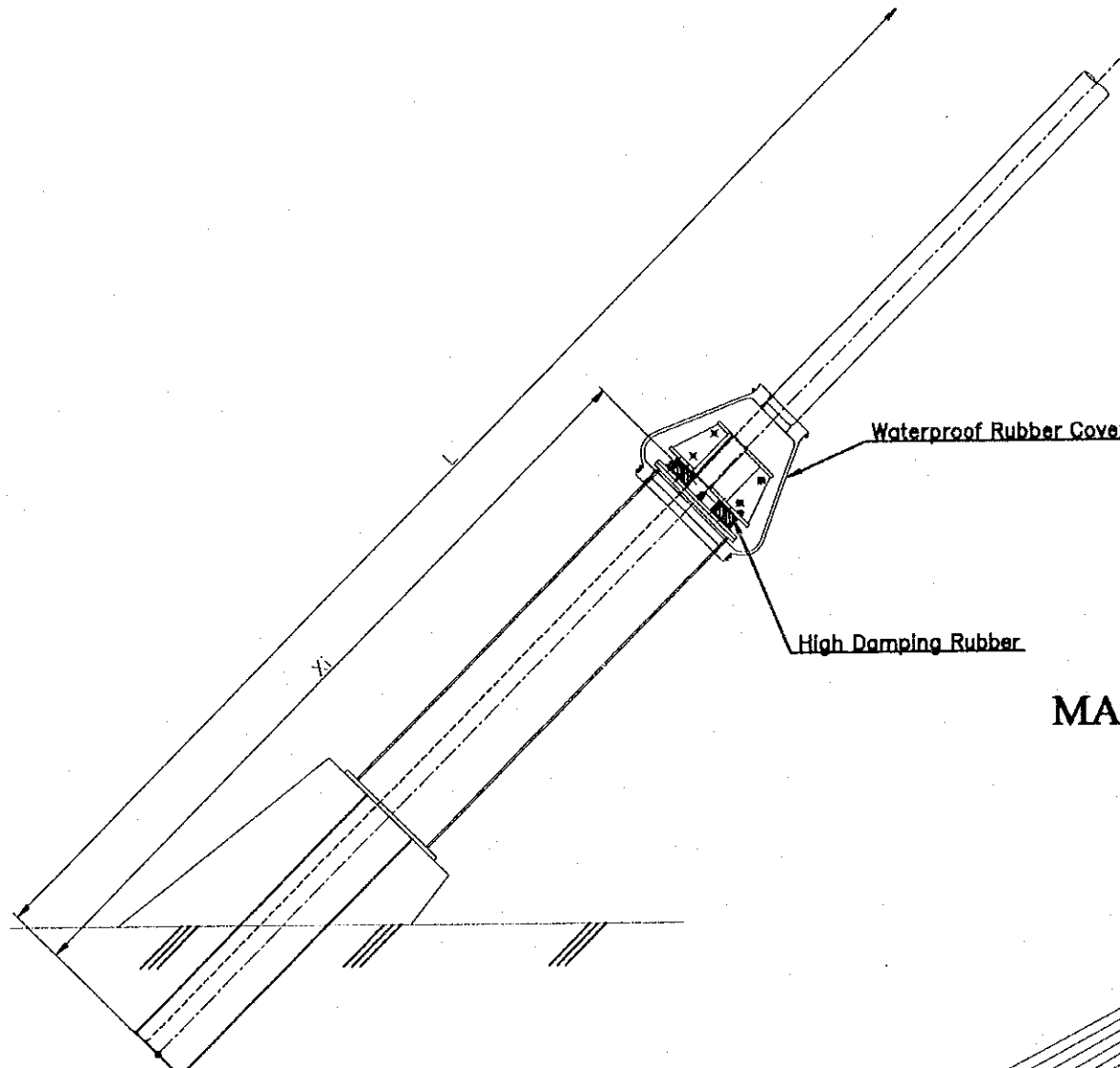
## DETAIL OF "A"



PROJECT NAME	IMPLEMENTATION AGENCY	EXECUTING AGENCY	JICA STUDY TEAM	PREPARED BY	CHECKED BY	APPROVED BY	DRAWING TITLE	DWG NO.
DETAILED DESIGN OF THE CAN THO BRIDGE CONSTRUCTION PROJECT	JICA JAPAN INTERNATIONAL COOPERATION AGENCY (JICA)	SOCIALIST REPUBLIC OF VIET NAM MINISTRY OF TRANSPORT (MOT) MY THUAN PROJECT MANAGEMENT UNIT	NIPPON KOEI CO.,LTD.	S. Kiguchi	K. Matsumoto	K. Enomoto	CABLE STAYED BRIDGE STAY CABLE DETAIL OF P.E. PIPE	P2/CS/2050
				DATE: 20/9/2000	DATE: 29/9/2000	DATE: 5/10/2000		

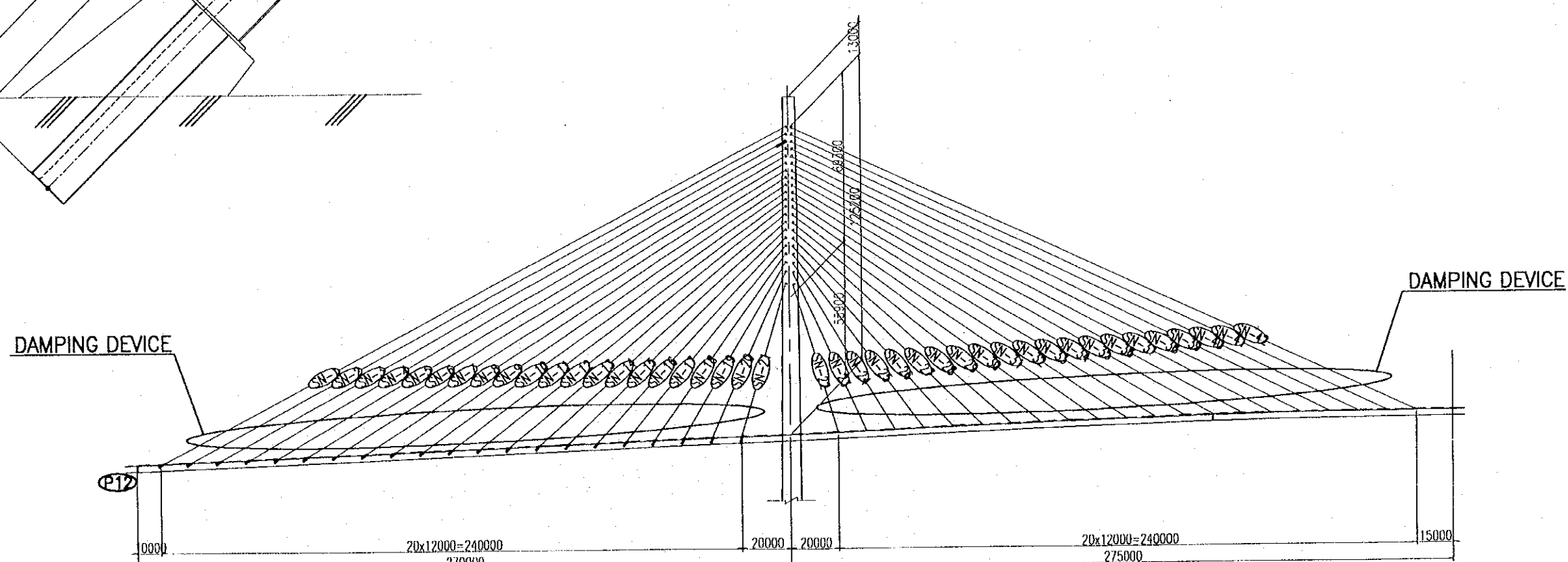
# ARRANGEMENT OF DAMPING DEVICE

Cable No	Xi m
SN(SS)-1	13.930
SN(SS)-2	13.695
SN(SS)-3	13.449
SN(SS)-4	13.190
SN(SS)-5	10.951
SN(SS)-6	10.690
SN(SS)-7	10.436
SN(SS)-8	10.169
SN(SS)-9	9.888
SN(SS)-10	8.720
SN(SS)-11	8.437
SN(SS)-12	8.139
SN(SS)-13	6.273
SN(SS)-14	6.022
SN(SS)-15	5.757
SN(SS)-16	5.484
SN(SS)-17	5.205
SN(SS)-18	4.923
SN(SS)-19	4.648
SN(SS)-20	4.395
SN(SS)-21	4.184
SN(SS)-22	4.195
SN(SS)-23	4.426
SN(SS)-24	4.713
SN(SS)-25	5.033
SN(SS)-26	5.367
SN(SS)-27	5.705
SN(SS)-28	6.041
SN(SS)-29	6.371
SN(SS)-30	6.690
SN(SS)-31	7.870
SN(SS)-32	8.215
SN(SS)-33	8.544
SN(SS)-34	8.856
SN(SS)-35	9.154
SN(SS)-36	13.628
SN(SS)-37	14.013
SN(SS)-38	14.377
SN(SS)-39	14.720
SN(SS)-40	15.045
SN(SS)-41	11.808
SN(SS)-42	12.029



## MARKING DIAGRAM

SCALE 1:2000

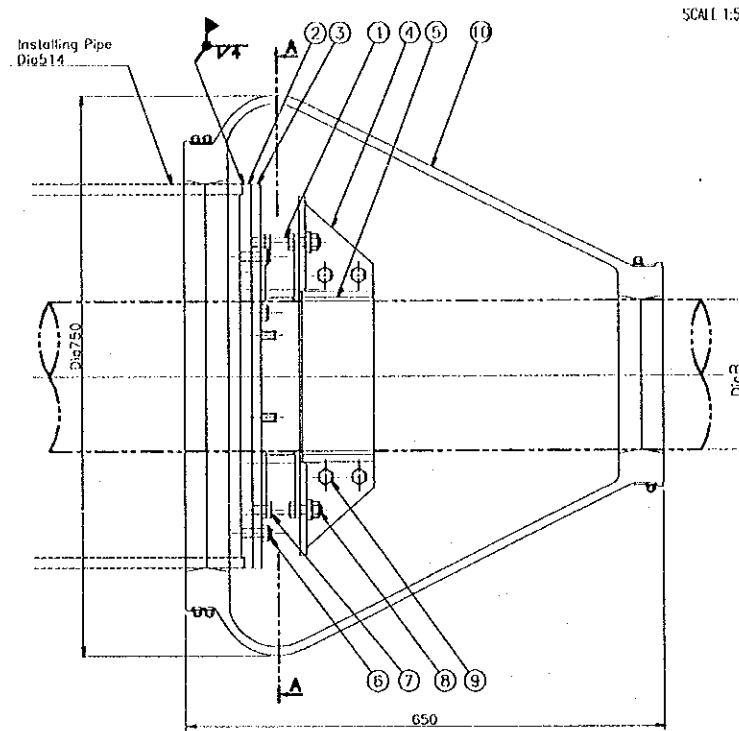


NORTHERN PYLON  
(SOUTHERN PYLON)

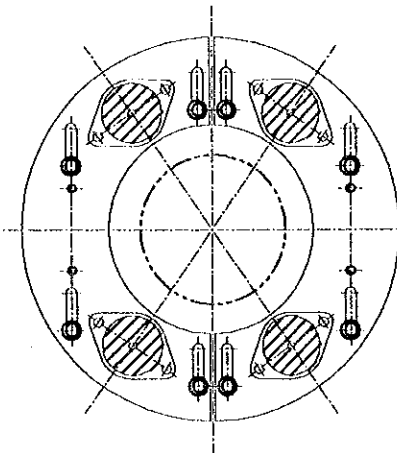
PROJECT NAME	IMPLEMENTATION AGENCY	EXECUTING AGENCY	JICA STUDY TEAM	PREPARED BY	CHECKED BY	APPROVED BY	DRAWING TITLE	DWG NO.
DETAILED DESIGN OF THE CAN THO BRIDGE CONSTRUCTION PROJECT	JICA JAPAN INTERNATIONAL COOPERATION AGENCY (JICA)	SOCIALIST REPUBLIC OF VIET NAM MINISTRY OF TRANSPORT (MOT) MY THUAN PROJECT MANAGEMENT UNIT	NIPPON KOEI CO.,LTD.	NAME: S. Kiguchi SIGNATURE: <i>S. Kiguchi</i> DATE: 20/9/2000	NAME: K. Matsumoto SIGNATURE: <i>K. Matsumoto</i> DATE: 29/9/2000	NAME: K. Enomoto SIGNATURE: <i>K. Enomoto</i> DATE: 5/10/2000	CABLE STAYED BRIDGE STAY CABLE ARRANGEMENT OF DAMPING DEVICE	P2/CS/2060

# DETAIL OF DAMPING DEVICE

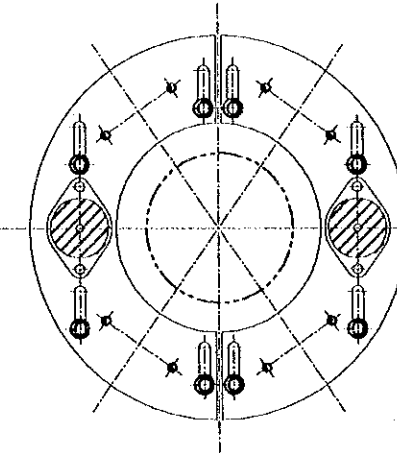
## General Assembly Drawing



SCALE 1:5



Section AA  
← Rubber Damper: 4 pieces →

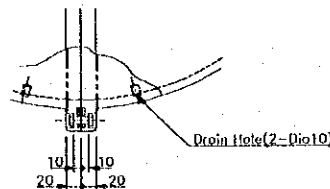
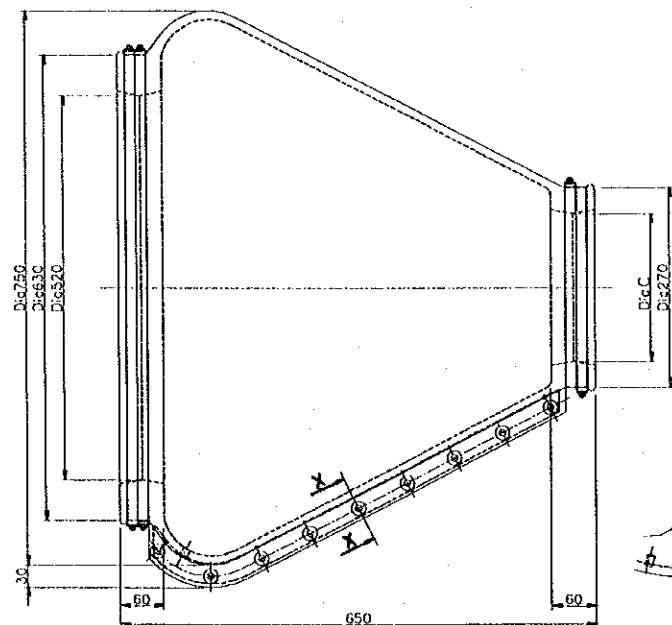


Section AA  
← Rubber Damper: 2 pieces →

Cable No.	Damper Size	Damper Quantity	B	C
SN(SS)-1	80-10-40	2	200	200
SN(SS)-2	80-10-40	2	200	200
SN(SS)-3	80-10-40	2	200	200
SN(SS)-4	80-10-40	2	200	200
SN(SS)-5	80-10-40	2	200	200
SN(SS)-6	80-10-40	2	200	200
SN(SS)-7	80-10-40	2	200	200
SN(SS)-8	80-10-40	2	200	200
SN(SS)-9	80-10-40	2	200	200
SN(SS)-10	80-10-40	2	200	200
SN(SS)-11	80-10-40	2	200	200
SN(SS)-12	80-10-40	2	200	200
SN(SS)-13	80-10-40	4	200	200
SN(SS)-14	80-10-40	4	200	200
SN(SS)-15	80-10-40	4	200	200
SN(SS)-16	80-10-40	4	200	200
SN(SS)-17	80-10-40	4	200	200
SN(SS)-18	80-10-40	4	200	200
SN(SS)-19	80-10-40	4	200	200
SN(SS)-20	80-10-40	4	200	200
SN(SS)-21	80-10-40	4	200	200
SN(SS)-22	80-10-40	4	200	200
SN(SS)-23	80-10-40	4	200	200
SN(SS)-24	80-10-40	4	200	200
SN(SS)-25	80-10-40	4	200	200
SN(SS)-26	80-10-40	4	200	200
SN(SS)-27	80-10-40	4	200	200
SN(SS)-28	80-10-40	4	200	200
SN(SS)-29	80-10-40	4	200	200
SN(SS)-30	80-10-40	4	200	200
SN(SS)-31	80-10-40	4	200	200
SN(SS)-32	80-10-40	4	200	200
SN(SS)-33	80-10-40	4	240	240
SN(SS)-34	80-10-40	4	240	240
SN(SS)-35	80-10-40	2	165	170
SN(SS)-36	80-40-40	2	165	170
SN(SS)-37	80-40-40	2	165	170
SN(SS)-38	80-40-40	2	165	170
SN(SS)-39	80-40-40	2	165	170
SN(SS)-40	80-40-40	2	200	200
SN(SS)-41	80-10-40	2	200	200
SN(SS)-42	80-10-40	2	200	200

## ⑩ Waterproof Rubber Cover

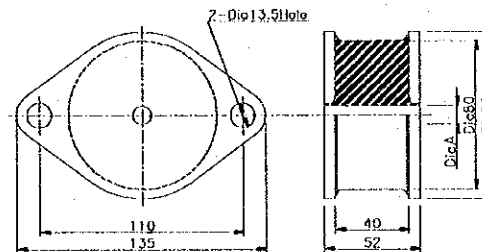
SCALE 1:5



Section XX

## ① High Damping Rubber Damper

SCALE 1:2



Size	Spring Constant K(kgf/cm)	Loss Factor tanδ	A
80-10-40	190±38	> 0.5	10
80-40-40	135±27	> 0.5	40

## ① High Damping Rubber Damper S=1/2

No.	PART NAME	MATERIAL	REMARKS	SIZE	QUANTITY
①	High Damping Rubber Damper	High Damping Rubber		80-10-40	4 2
②	Fixing Flange	SS400(JIS G 3101) Flange of Copper Resin 200mm			1Set 1Set
③	Adjustable Flange	SS400(JIS G 3101), HDZ35(JIS H 8641)			1Set 1Set
④	Cable Flange	SS400(JIS G 3101), HDZ35(JIS H 8641)			1Set 1Set
⑤	Rubber Pad	Weather Resistance Rubber		65.0	2 2
⑥	Nut	SS400(JIS G 3101), HDZ35(JIS H 8641)	Plain Washer: 2 pieces	M12	8 8
⑦	Nut	SS400(JIS G 3101), HDZ35(JIS H 8641)	U-Nut	M12	8 4
⑧	Bolt + Nut	SS400(JIS G 3101), HDZ35(JIS H 8641)	Plain Washer	M12-30	8 4
⑨	Bolt + Nut	SS400(JIS G 3101), HDZ35(JIS H 8641)	U-Nut	M12-40	4 4
⑩	Waterproof Rubber Cover	Weather Resistance Rubber	Surface Treatment: Acrylic Urethane Painting Colour: Light Gray	600type	1Set 1Set

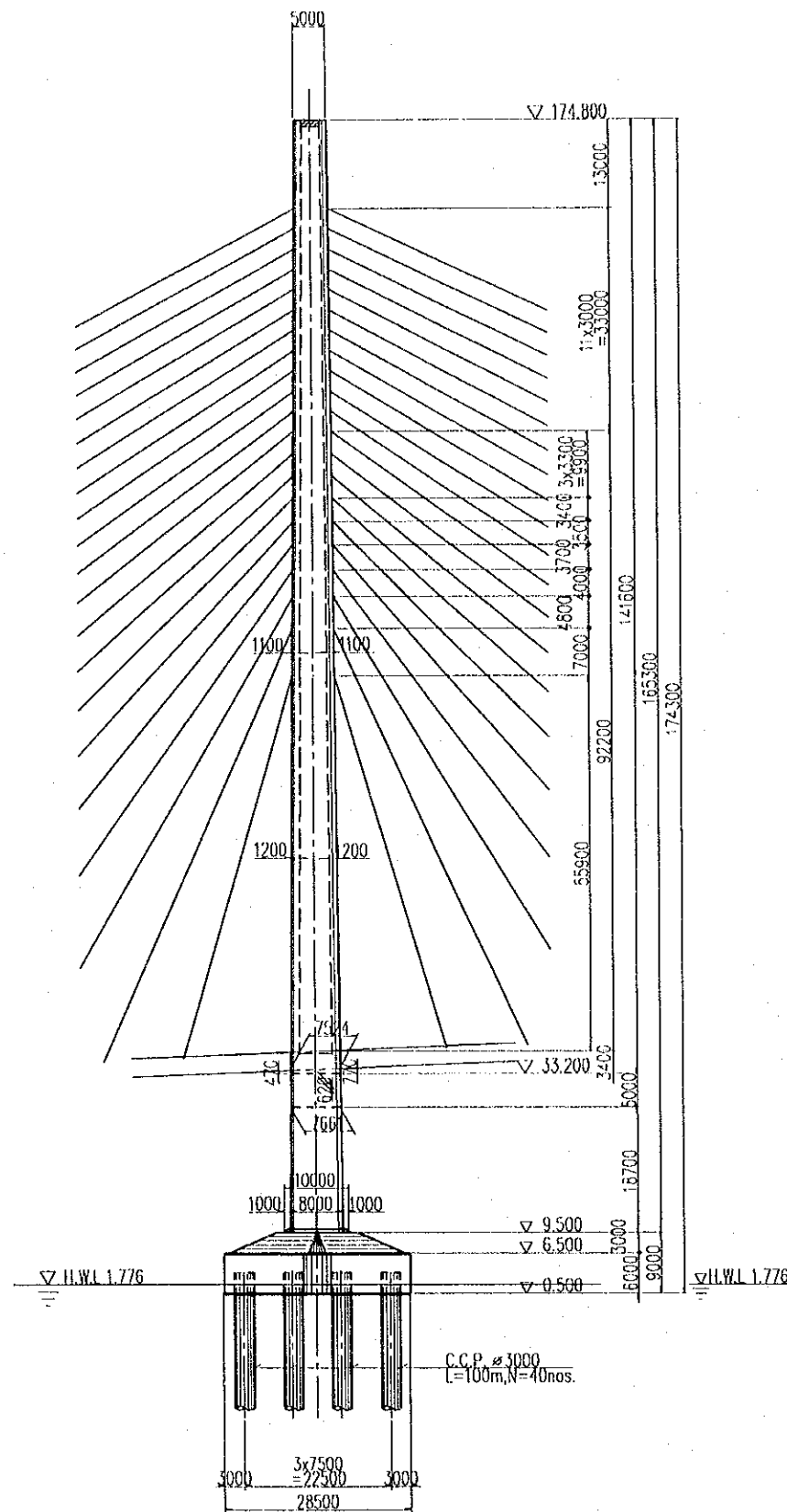
PROJECT NAME	IMPLEMENTATION AGENCY	EXECUTING AGENCY	JICA STUDY TEAM	PREPARED BY	CHECKED BY	APPROVED BY	DRAWING TITLE	DWG NO.
DETAILED DESIGN OF THE CAN THO BRIDGE CONSTRUCTION PROJECT	JICA JAPAN INTERNATIONAL COOPERATION AGENCY (JICA)	SOCIALIST REPUBLIC OF VIET NAM MINISTRY OF TRANSPORT (MOT) MY THUAN PROJECT MANAGEMENT UNIT	NIPPON KOEI CO., LTD.	S. Kiguchi	K. Matsumoto	K. Enomoto	CABLE STAYED BRIDGE STAY CABLE DETAIL OF DAMPING DEVICE	P2/CS/2070
				DATE: 20/9/2000	DATE: 29/9/2000	DATE: 5/10/2000		



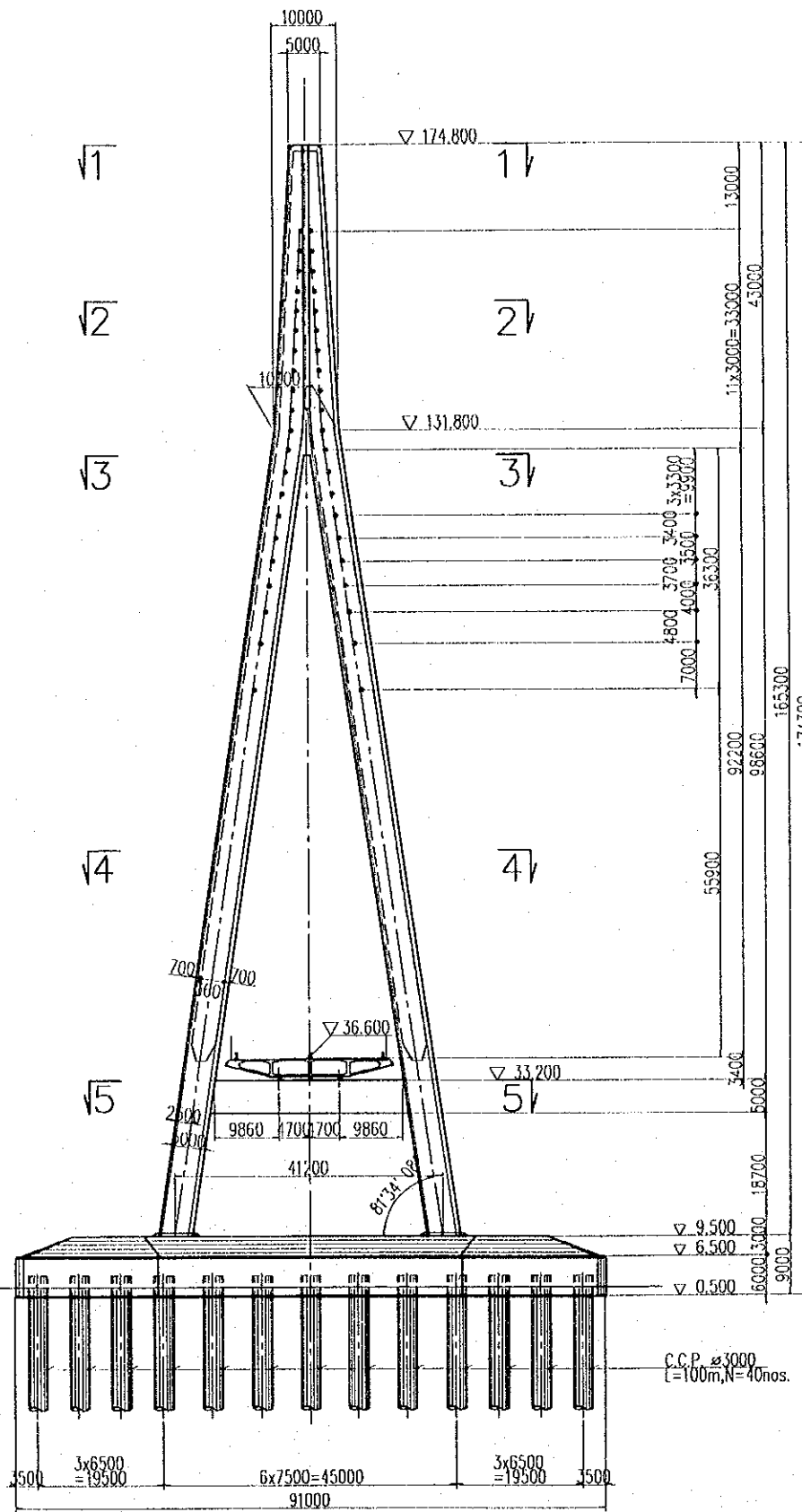
## IV. PYLON

# NORTHERN PYLON

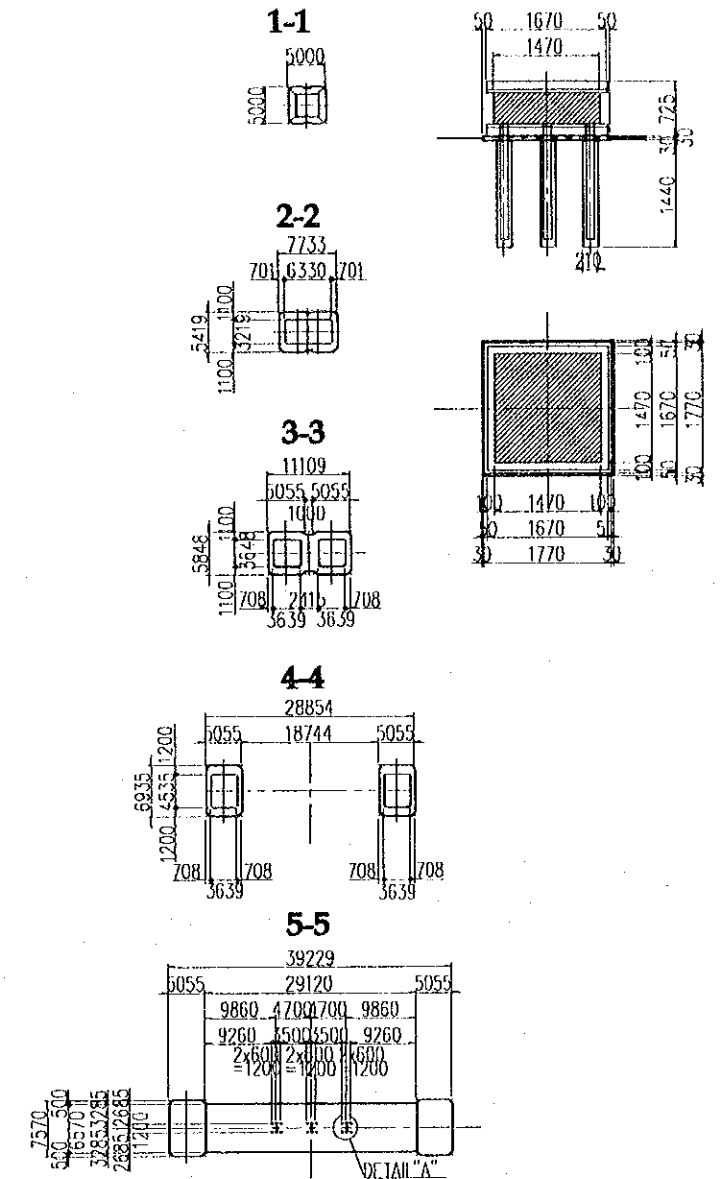
SIDE ELEVATION



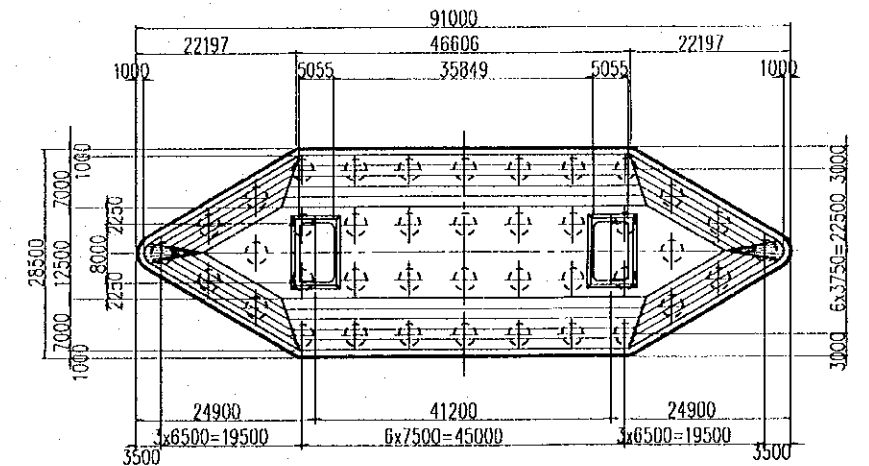
FRONT ELEVATION



DETAIL "A"



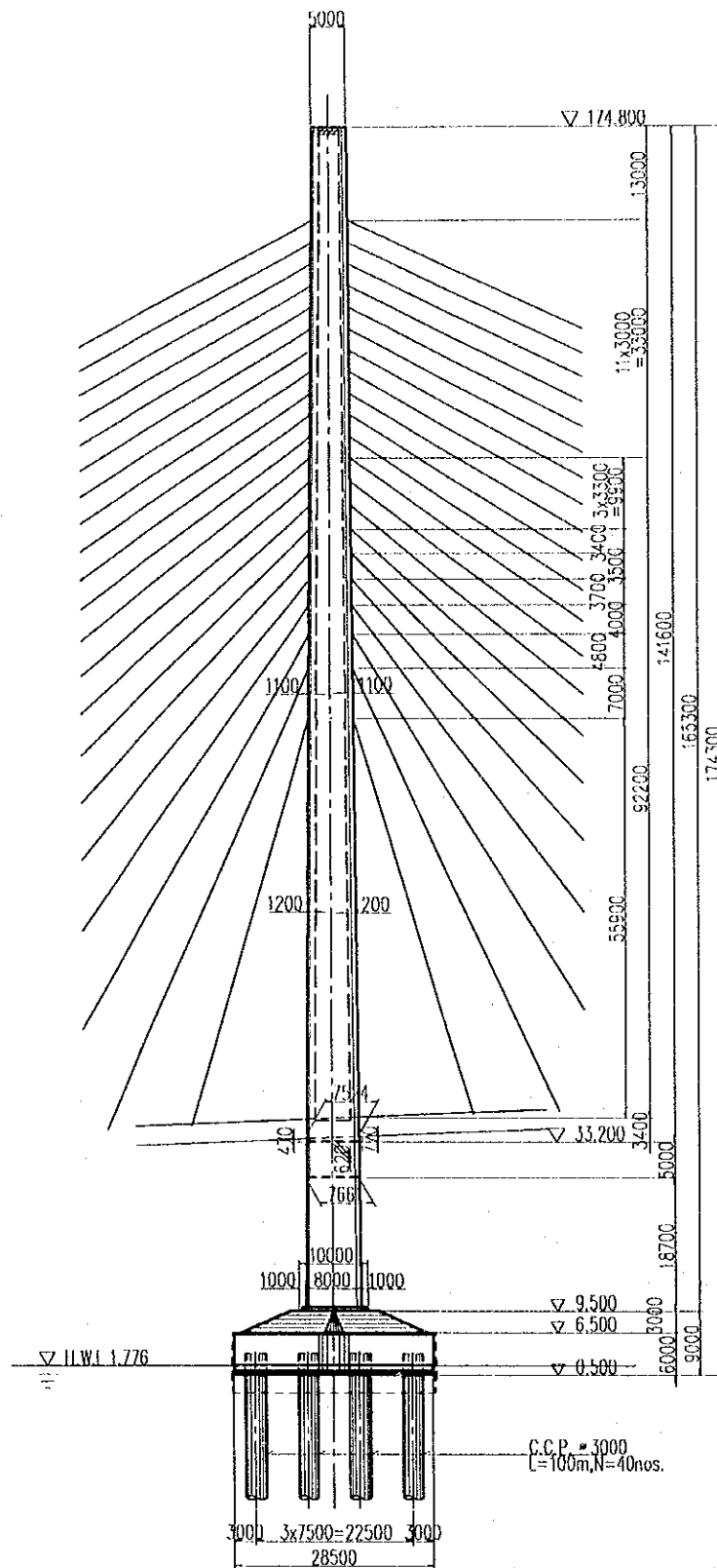
PLAN



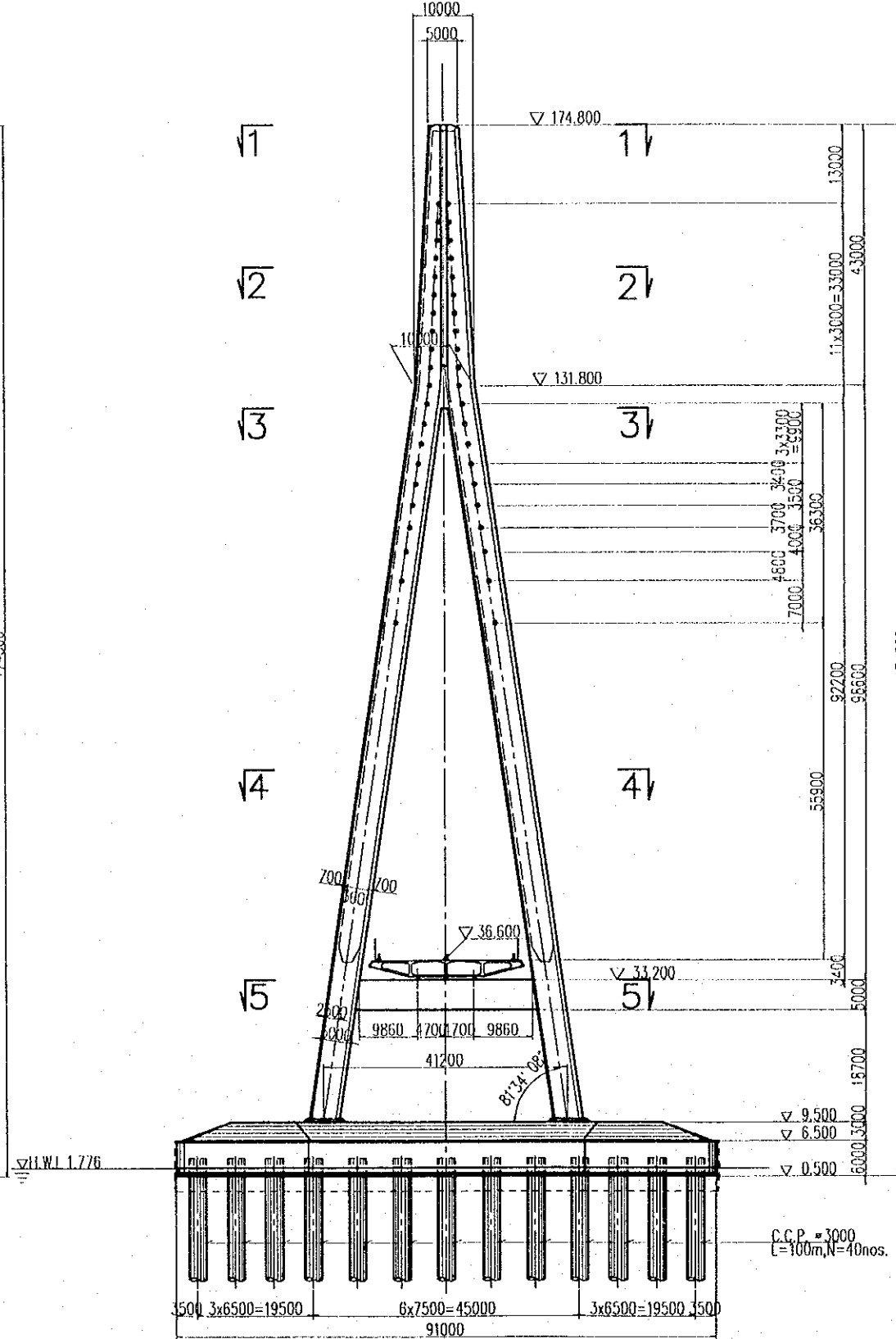
PROJECT NAME	IMPLEMENTATION AGENCY	EXECUTING AGENCY	JICA STUDY TEAM	PREPARED BY	CHECKED BY	APPROVED BY	DRAWING TITLE	DWG NO.
DETAILED DESIGN OF THE CAN THO BRIDGE CONSTRUCTION PROJECT	JICA JAPAN INTERNATIONAL COOPERATION AGENCY (JICA)	SOCIALIST REPUBLIC OF VIET NAM MINISTRY OF TRANSPORT (MOT) MY THUAN PROJECT MANAGEMENT UNIT	NIPPON KOEI CO.,LTD.	S. Kiguchi	K. Matsumoto	K. Enomoto	CABLE STAYED BRIDGE PYLON GENERAL ARRANGEMENT OF PYLON (1)	P2/CS/3010
				NAME: S. Kiguchi	NAME: K. Matsumoto	NAME: K. Enomoto		
				SIGNATURE: S. Kiguchi	SIGNATURE: K. Matsumoto	SIGNATURE: K. Enomoto		
				DATE: 20/9/2000	DATE: 29/9/2000	DATE: 5/10/2000		

# SOUTHERN PYLON

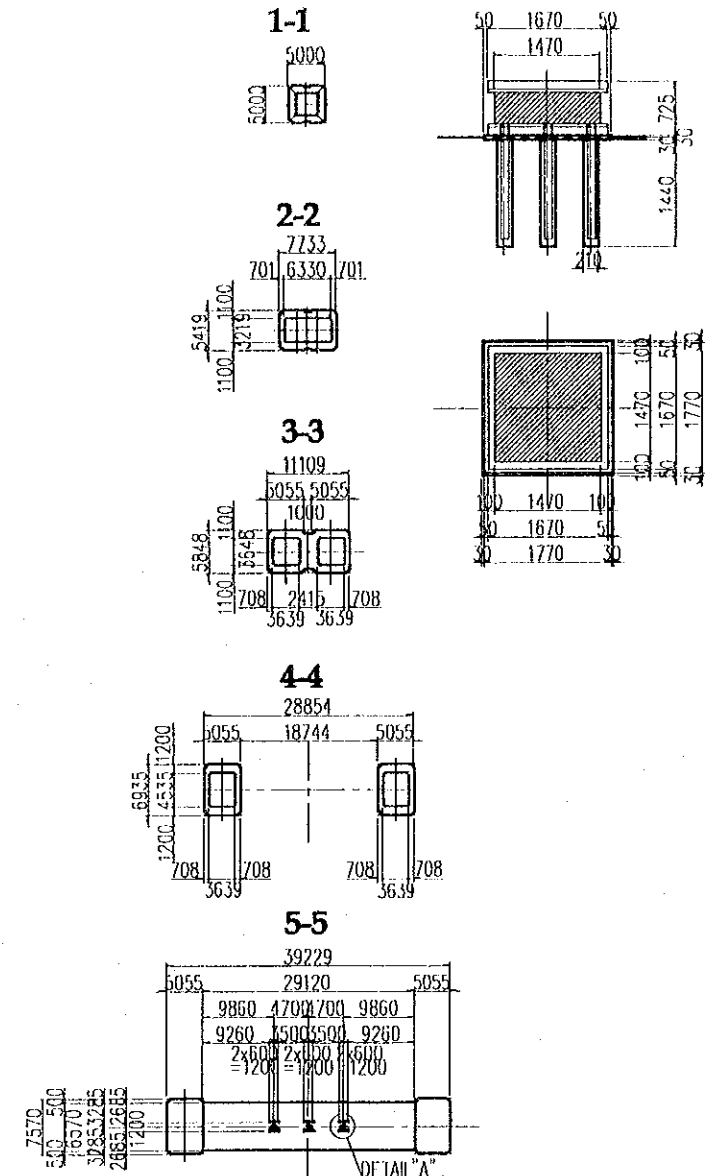
**SIDE ELEVATION**



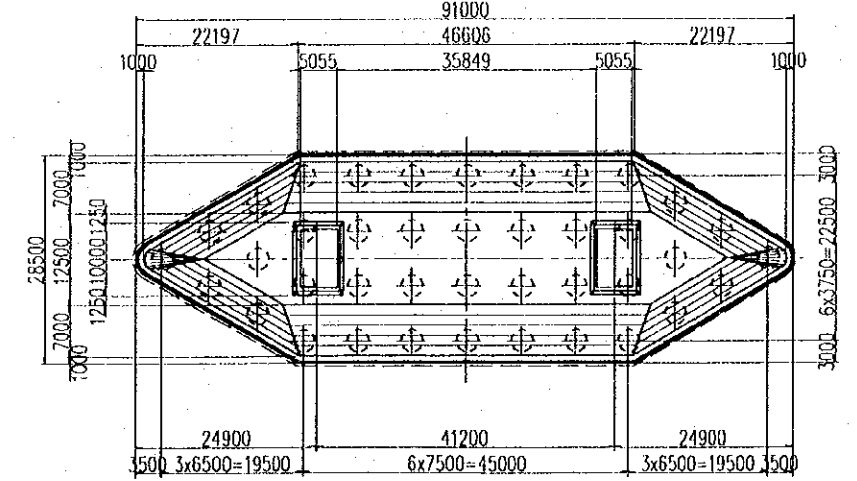
**FRONT ELEVATION**



**DETAIL "A"**



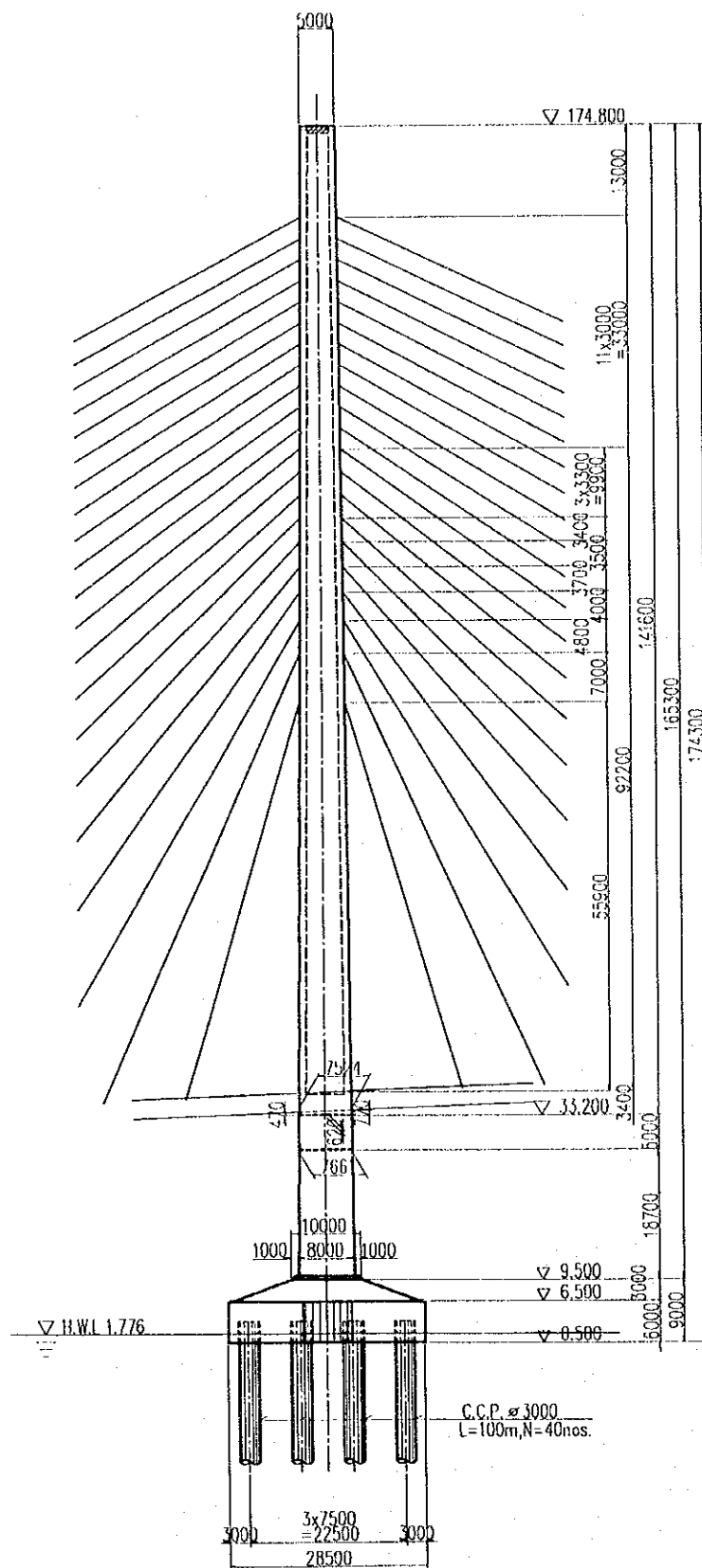
**PLAN**



PROJECT NAME	IMPLEMENTATION AGENCY	EXECUTING AGENCY	JICA STUDY TEAM	PREPARED BY	CHECKED BY	APPROVED BY	DRAWING TITLE	DWG NO.
DETAILED DESIGN OF THE CAN THO BRIDGE CONSTRUCTION PROJECT	JICA JAPAN INTERNATIONAL COOPERATION AGENCY (JICA)	SOCIALIST REPUBLIC OF VIET NAM MINISTRY OF TRANSPORT (MOT) MY THUAN PROJECT MANAGEMENT UNIT	NIPPON KOEI CO.,LTD.	S. Kiguchi	K. Matsumoto	K. Enomoto	CABLE STAYED BRIDGE PYLON GENERAL ARRANGEMENT OF PYLON (2)	P2/CS/3020
				SIGNATURE	SIGNATURE	SIGNATURE		
				DATE	DATE	DATE		

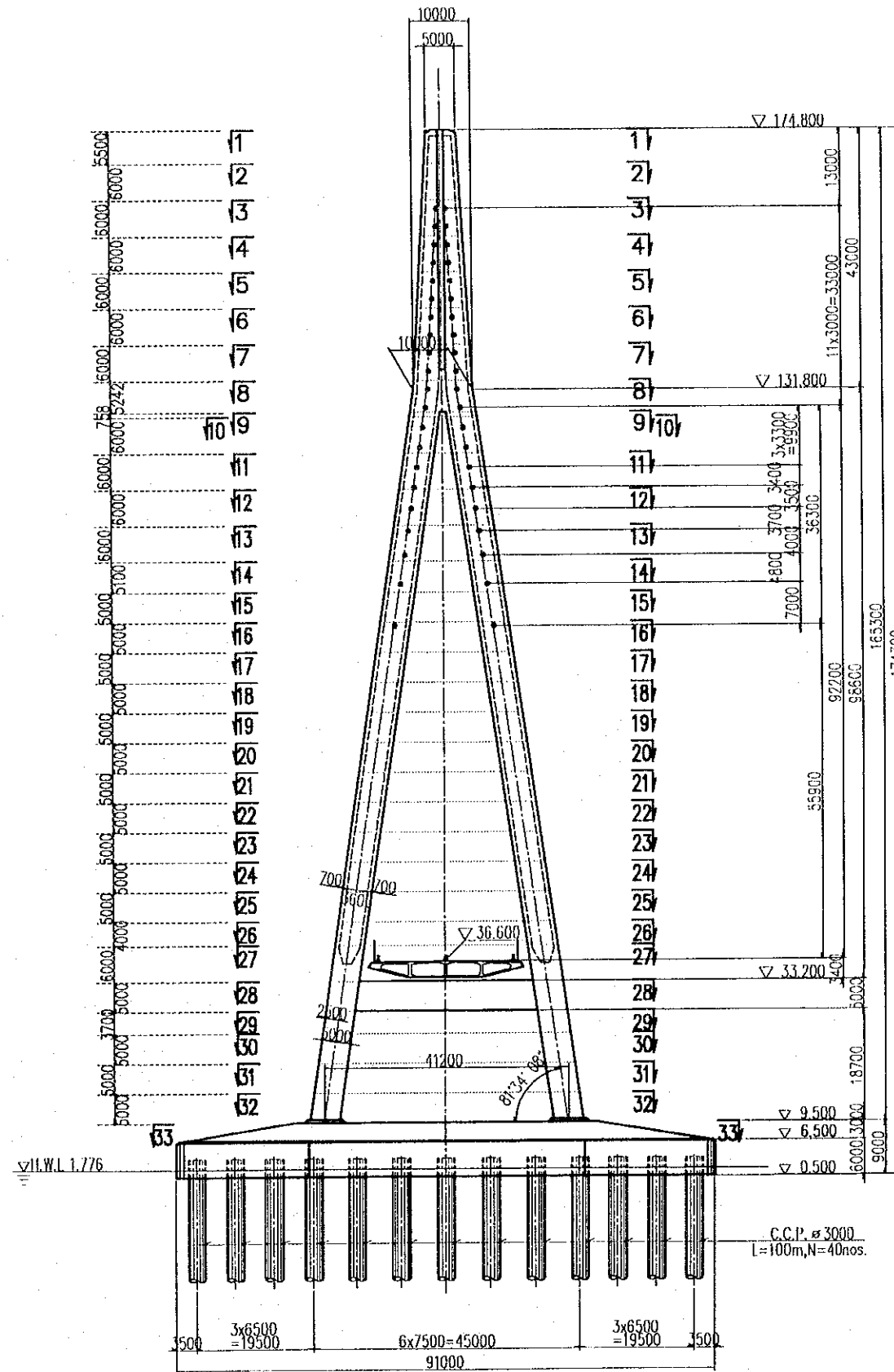
**SIDE ELEVATION**

SCALE 1:1000



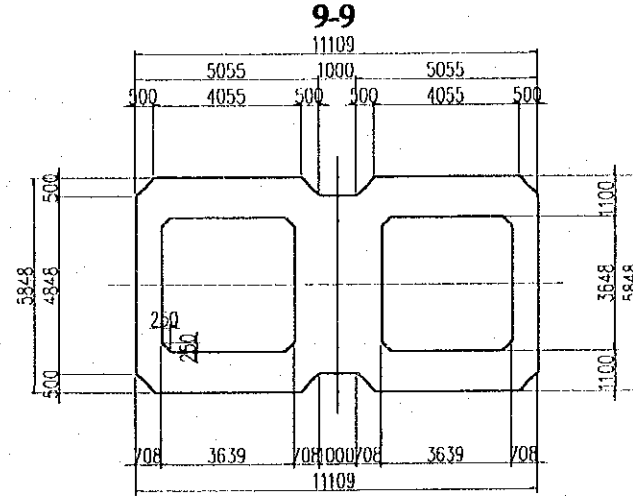
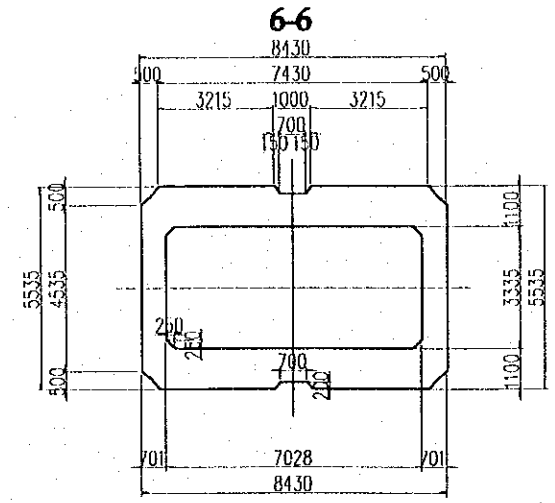
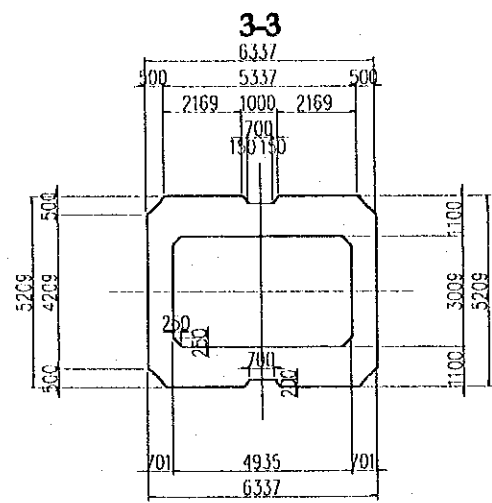
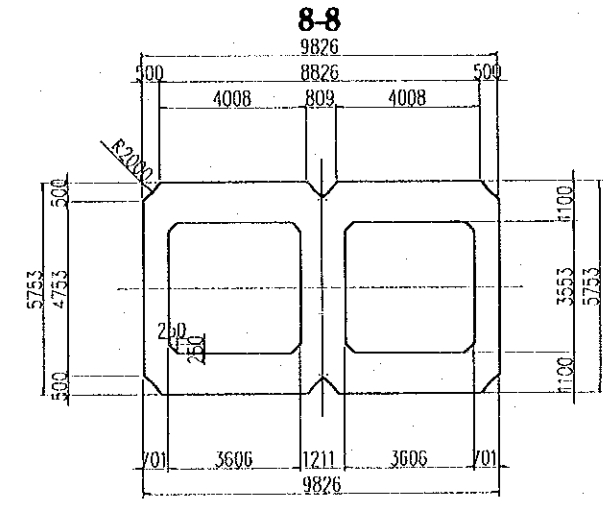
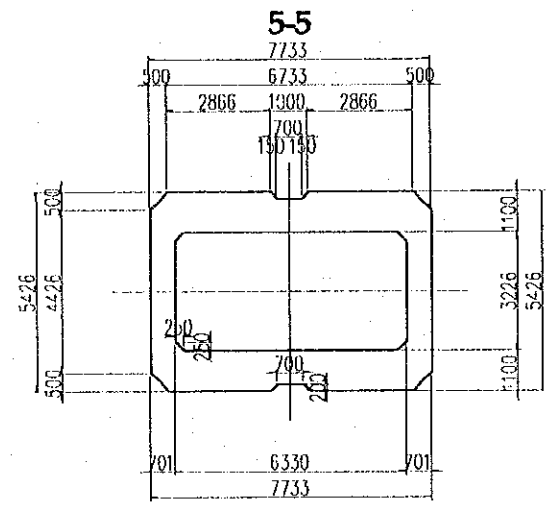
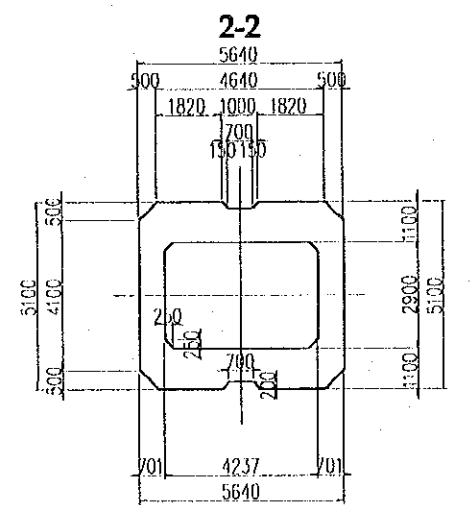
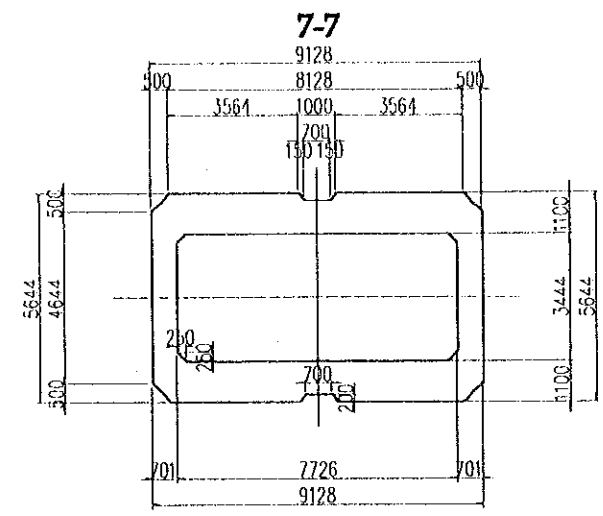
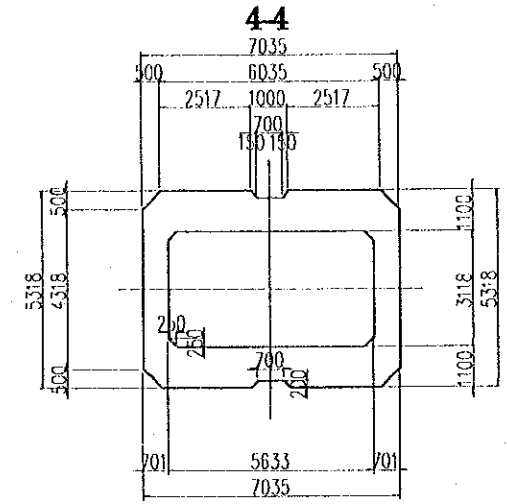
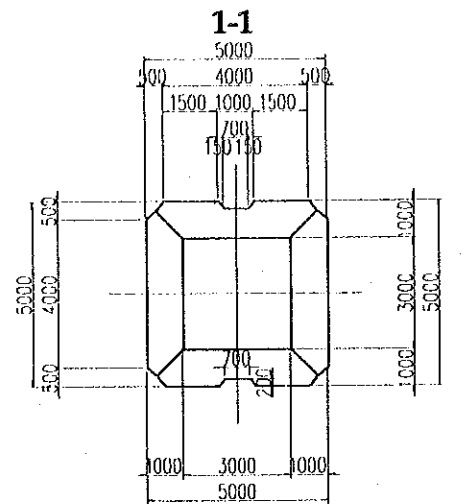
**FRONT ELEVATION**

SCALE 1:1000



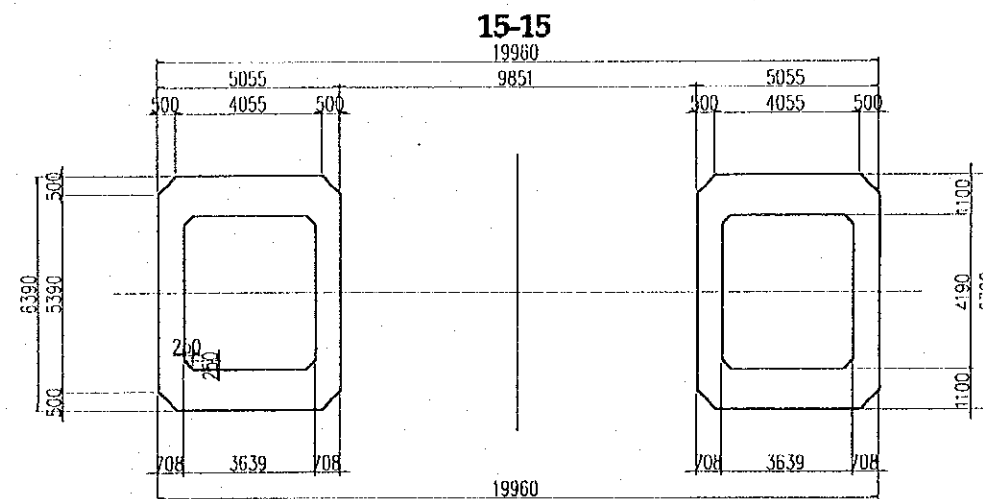
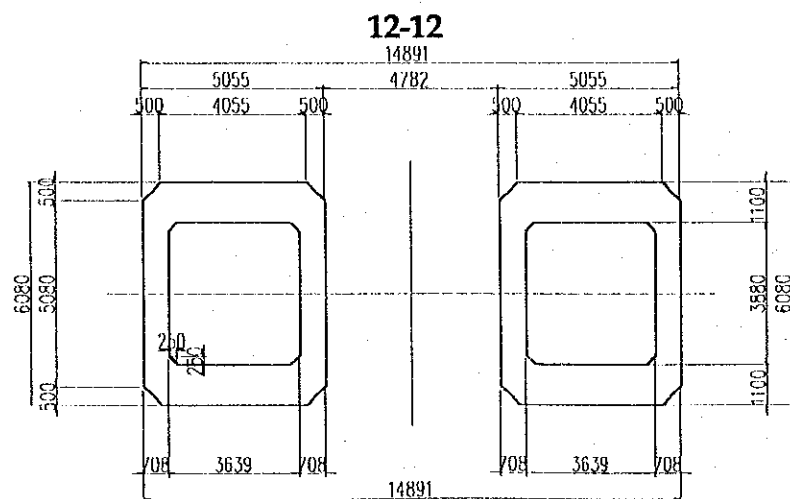
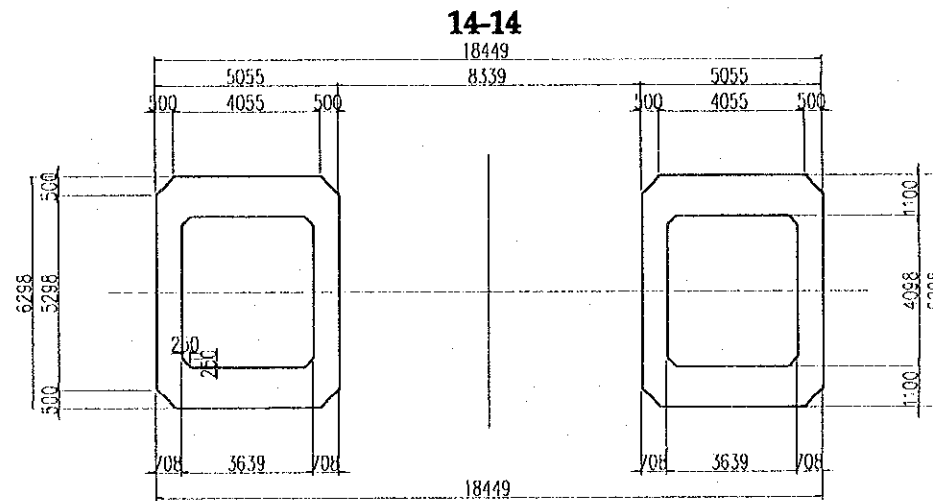
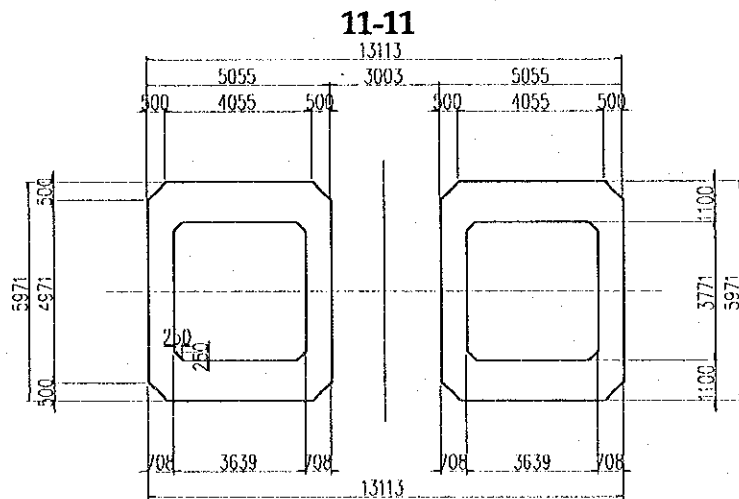
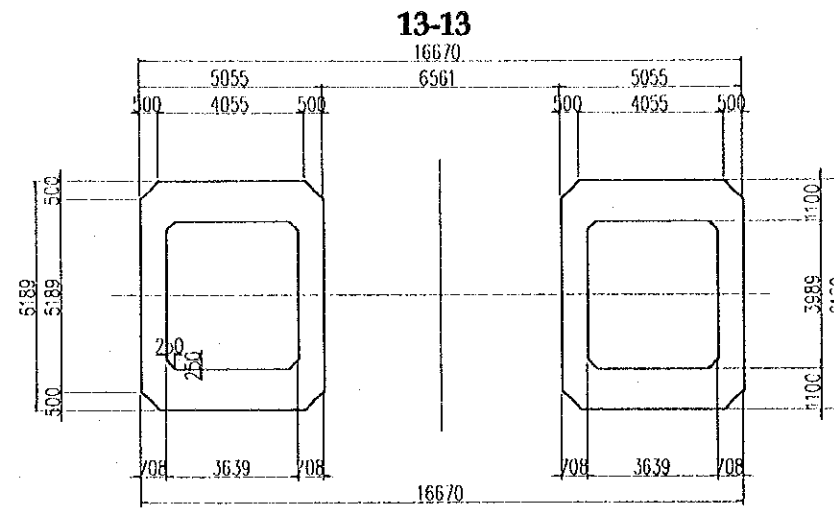
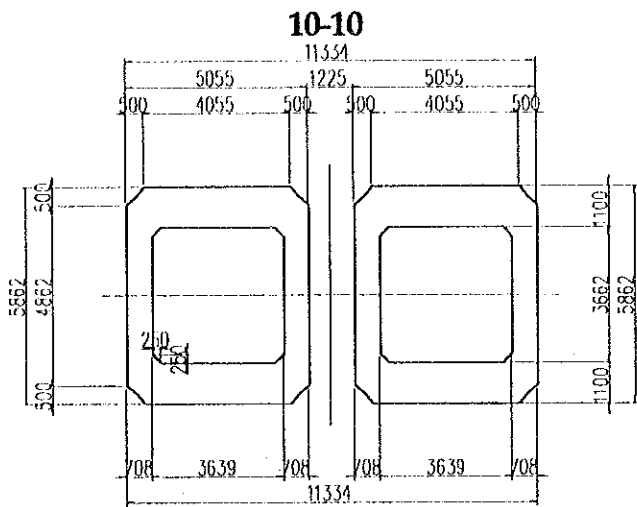
PROJECT NAME	IMPLEMENTATION AGENCY	EXECUTING AGENCY	JICA STUDY TEAM	PREPARED BY	CHECKED BY	APPROVED BY	DRAWING TITLE	DWG NO.
DETAILED DESIGN OF THE CAN THO BRIDGE CONSTRUCTION PROJECT	JICA JAPAN INTERNATIONAL COOPERATION AGENCY (JICA)	SOCIALIST REPUBLIC OF VIET NAM MINISTRY OF TRANSPORT (MOT) MY THUAN PROJECT MANAGEMENT UNIT	NIPPON KOEI CO., LTD.	NAME: S. Kiguchi SIGNATURE: <i>S. Kiguchi</i> DATE: 20/9/2000	NAME: K. Matsumoto SIGNATURE: <i>K. Matsumoto</i> DATE: 29/9/2000	NAME: K. Enomoto SIGNATURE: <i>K. Enomoto</i> DATE: 5/10/2000	CABLE STAYED BRIDGE PYLON GENERAL ARRANGEMENT OF PYLON (3)	P2/CS/3030

PLAN SCALE 1:200



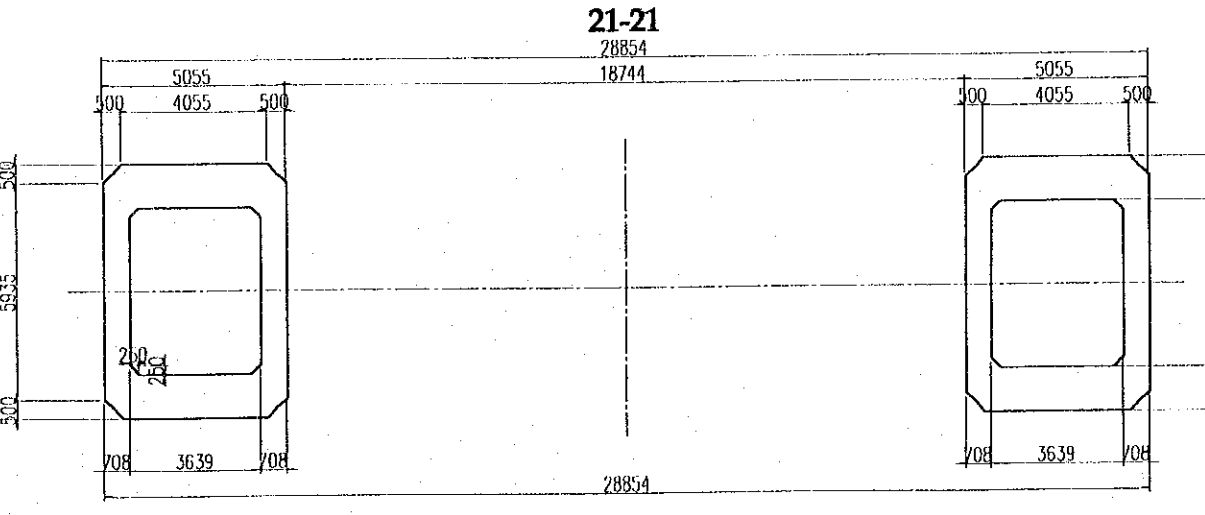
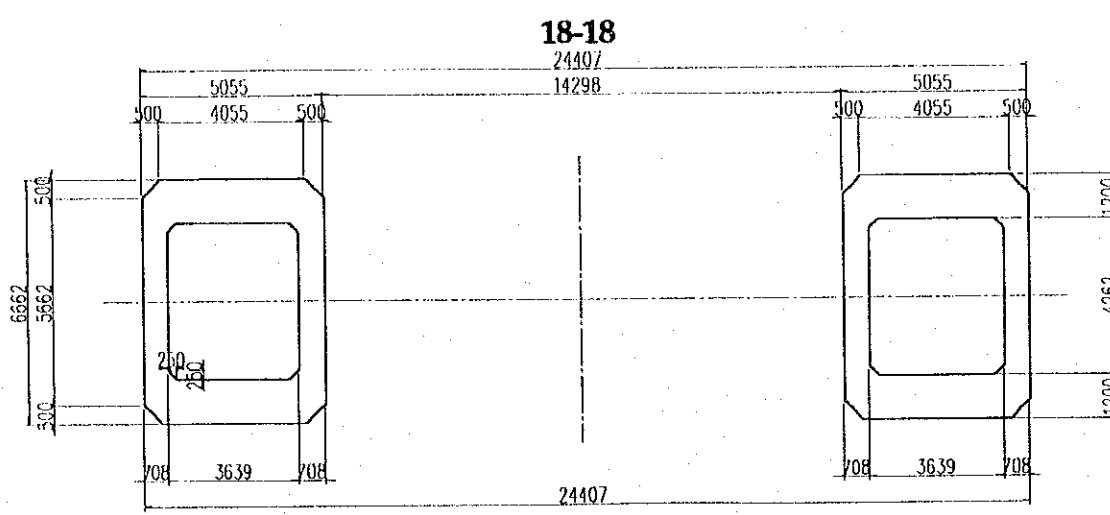
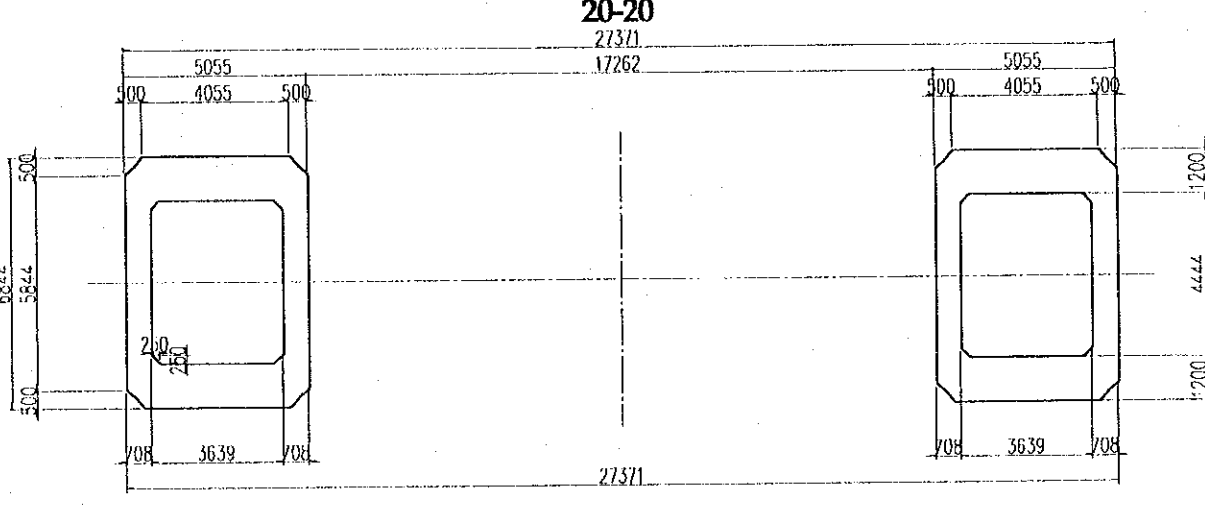
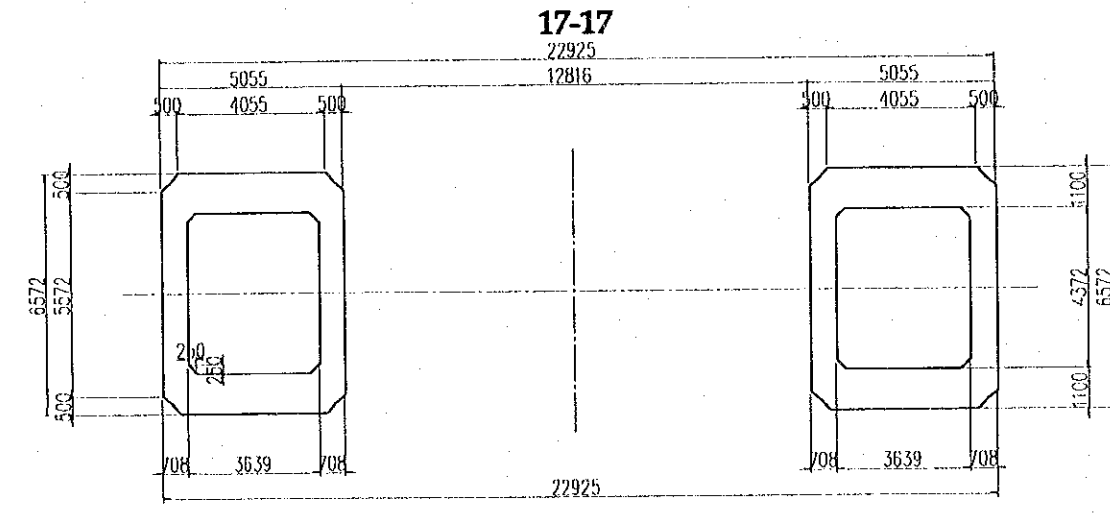
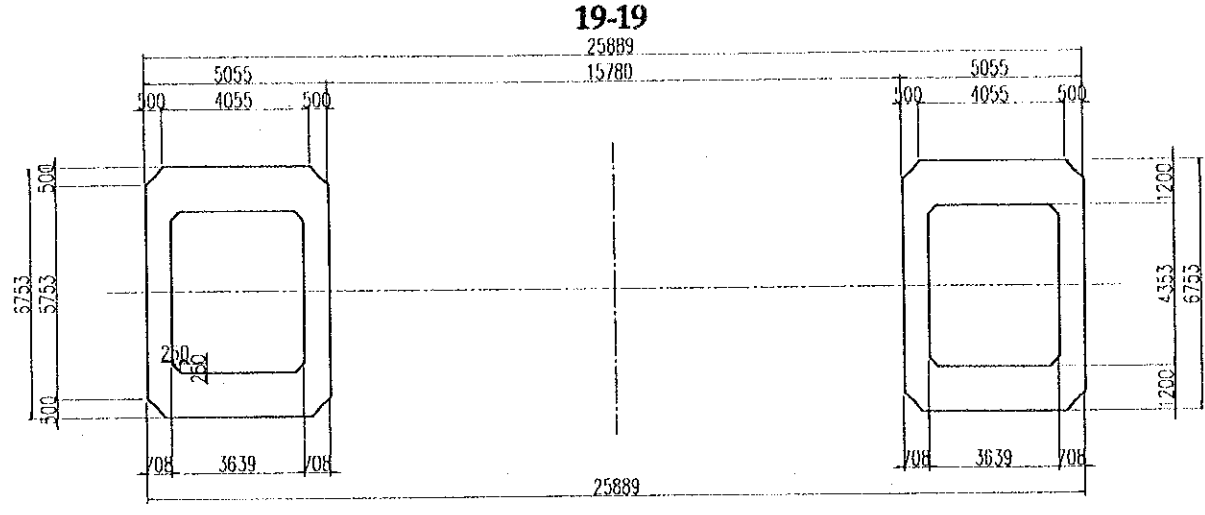
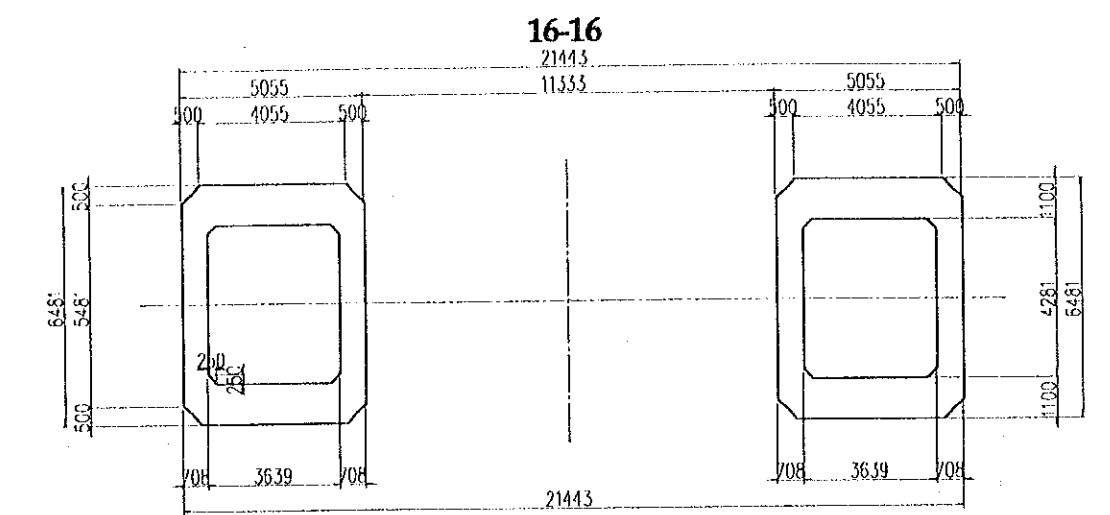
PROJECT NAME	IMPLEMENTATION AGENCY	EXECUTING AGENCY	JICA STUDY TEAM	PREPARED BY	CHECKED BY	APPROVED BY	DRAWING TITLE	DWG NO.
DETAILED DESIGN OF THE CAN THO BRIDGE CONSTRUCTION PROJECT	JICA JAPAN INTERNATIONAL COOPERATION AGENCY (JICA)	SOCIALIST REPUBLIC OF VIET NAM MINISTRY OF TRANSPORT (MOT) MY THUAN PROJECT MANAGEMENT UNIT	NIPPON KOEI CO., LTD.	S. Kiguchi	K. Matsumoto	K. Enomoto	CABLE STAYED BRIDGE PYLON GENERAL ARRANGEMENT OF PYLON (4)	P2/CS/3040
				NAME				
				SIGNATURE				
				DATE	20/9/2000	29/9/2000	5/10/2000	

PLAN SCALE 1:200



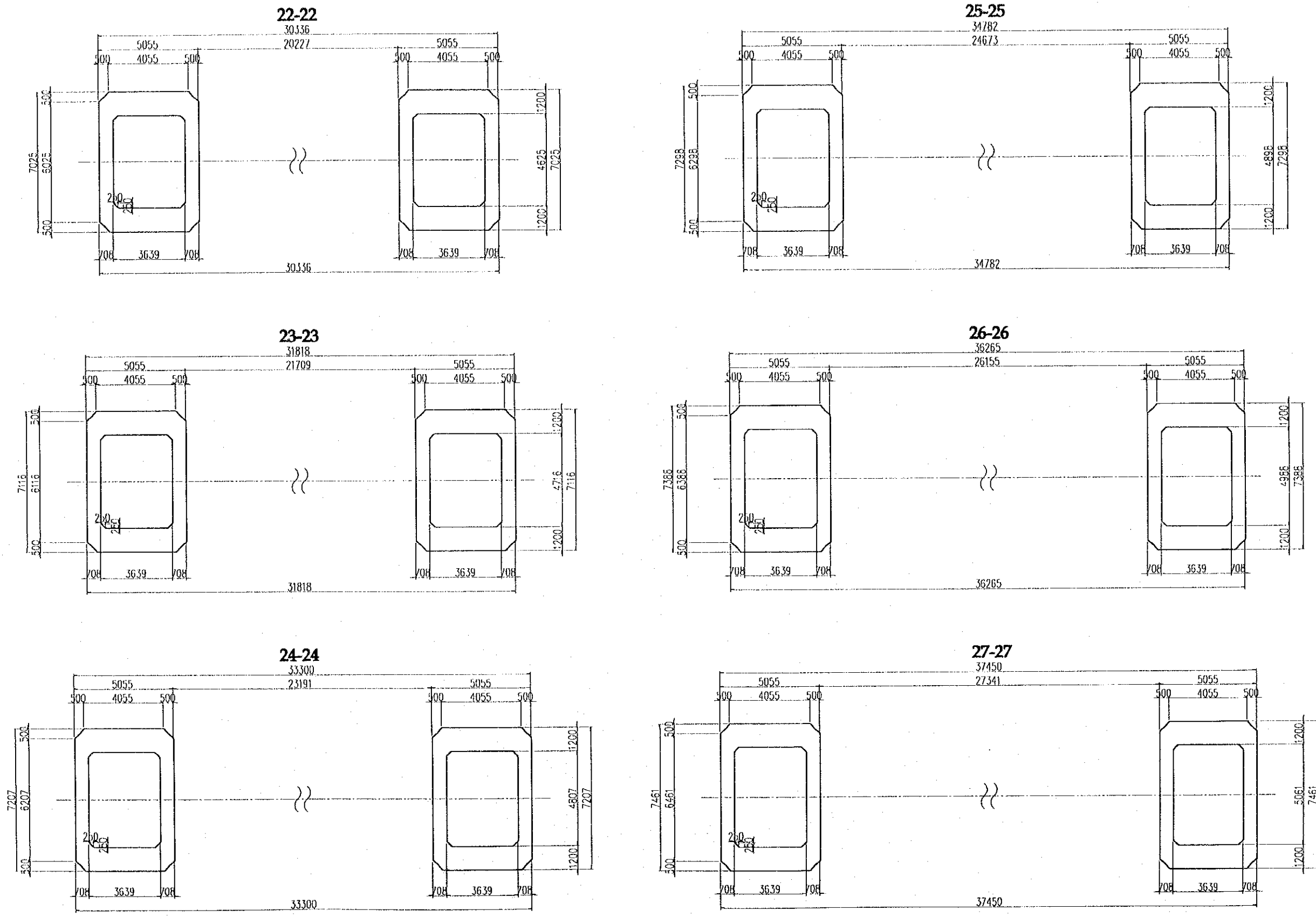
PROJECT NAME	IMPLEMENTATION AGENCY	EXECUTING AGENCY	JICA STUDY TEAM	PREPARED BY	CHECKED BY	APPROVED BY	DRAWING TITLE	DWG NO.
DETAILED DESIGN OF THE CAN THO BRIDGE CONSTRUCTION PROJECT	JICA JAPAN INTERNATIONAL COOPERATION AGENCY (JICA)	SOCIALIST REPUBLIC OF VIET NAM MINISTRY OF TRANSPORT (MOT) MY THUAN PROJECT MANAGEMENT UNIT	NIPPON KOEI CO.,LTD.	S. Kiguchi	K. Matsumoto	K. Enomoto	CABLE STAYED BRIDGE PYLON GENERAL ARRANGEMENT OF PYLON (5)	F2/CS/3050
				SIGNATURE: <i>S. Kiguchi</i>	SIGNATURE: <i>K. Matsumoto</i>	SIGNATURE: <i>K. Enomoto</i>		
				DATE: 20/9/2000	DATE: 29/9/2000	DATE: 5/10/2000		

PLAN SCALE 1:200



PROJECT NAME	IMPLEMENTATION AGENCY	EXECUTING AGENCY	JICA STUDY TEAM	PREPARED BY	CHECKED BY	APPROVED BY	DRAWING TITLE	DWG NO.
				NAME	NAME	NAME		
DETAILED DESIGN OF THE CAN THO BRIDGE CONSTRUCTION PROJECT	JAPAN INTERNATIONAL COOPERATION AGENCY (JICA)	SOCIALIST REPUBLIC OF VIET NAM MINISTRY OF TRANSPORT (MOT) MY THUAN PROJECT MANAGEMENT UNIT	NIPPON KOEI CO.,LTD.	S. Kiguchi	K. Matsumoto	K. Enomoto	CABLE STAYED BRIDGE PYLON GENERAL ARRANGEMENT OF PYLON (6)	P2/CS/3060
				<i>S. Kiguchi</i>	<i>K. Matsumoto</i>	<i>K. Enomoto</i>		
				20/9/2000	29/9/2000	5/10/2000		

PLAN SCALE 1:200

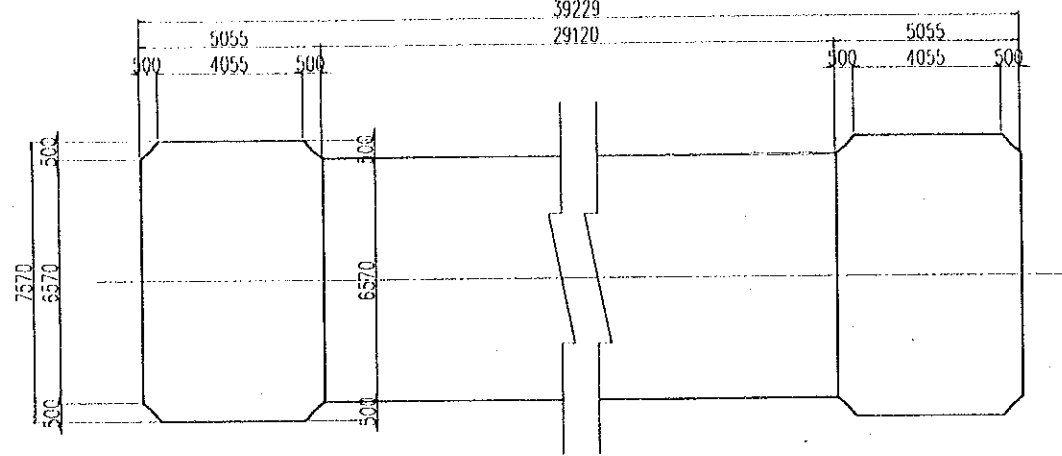


PROJECT NAME DETAILED DESIGN OF THE CAN THO BRIDGE CONSTRUCTION PROJECT	IMPLEMENTATION AGENCY <b>JICA</b> JAPAN INTERNATIONAL COOPERATION AGENCY (JICA)	EXECUTING AGENCY SOCIALIST REPUBLIC OF VIET NAM MINISTRY OF TRANSPORT (MOT) MY THUAN PROJECT MANAGEMENT UNIT	JICA STUDY TEAM NIPPON KOEI CO., LTD.	PREPARED BY NAME S. Kiguchi	CHECKED BY K. Matsumoto	APPROVED BY K. Enomoto	DRAWING TITLE CABLE STAYED BRIDGE PYLON GENERAL ARRANGEMENT OF PYLON (7)	DWG NO. P2/CS/3070
				SIGNATURE <i>S. Kiguchi</i>	<i>K. Matsumoto</i>	<i>K. Enomoto</i>		
				DATE 20/9/2000	29/9/2000	5/10/2000		

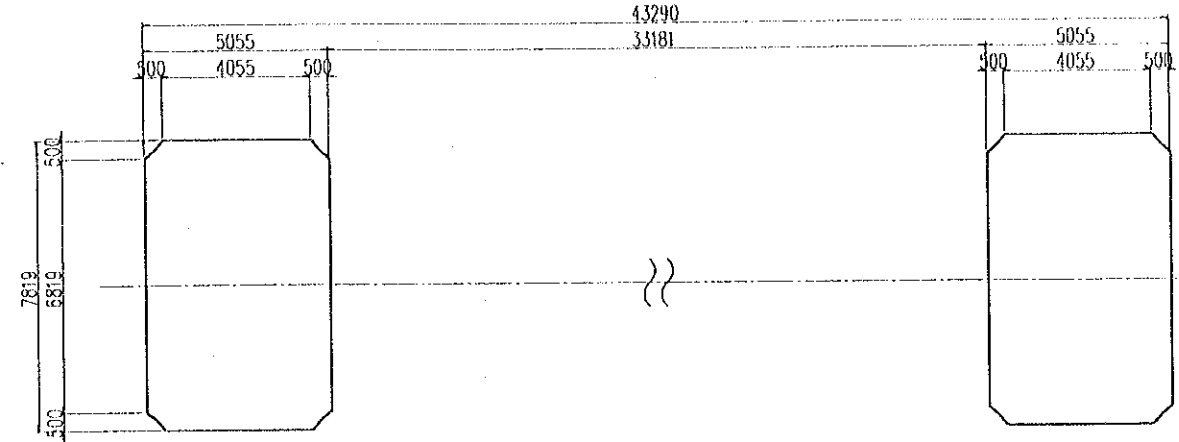


PLAN SCALE 1:200

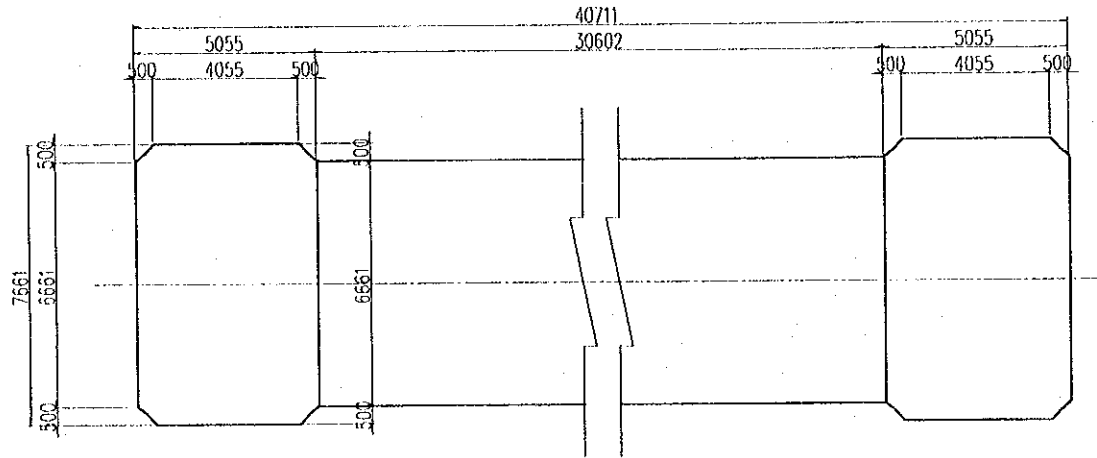
28-28



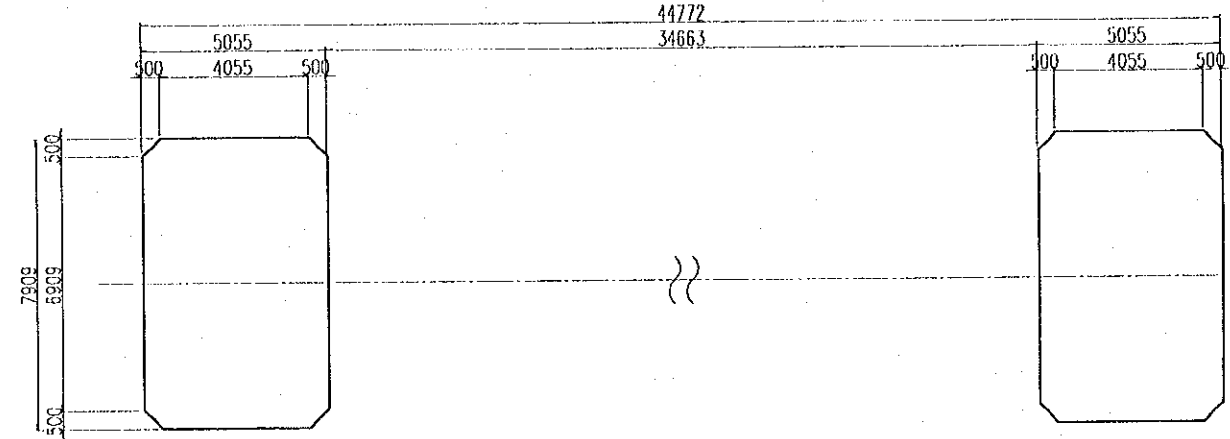
31-31



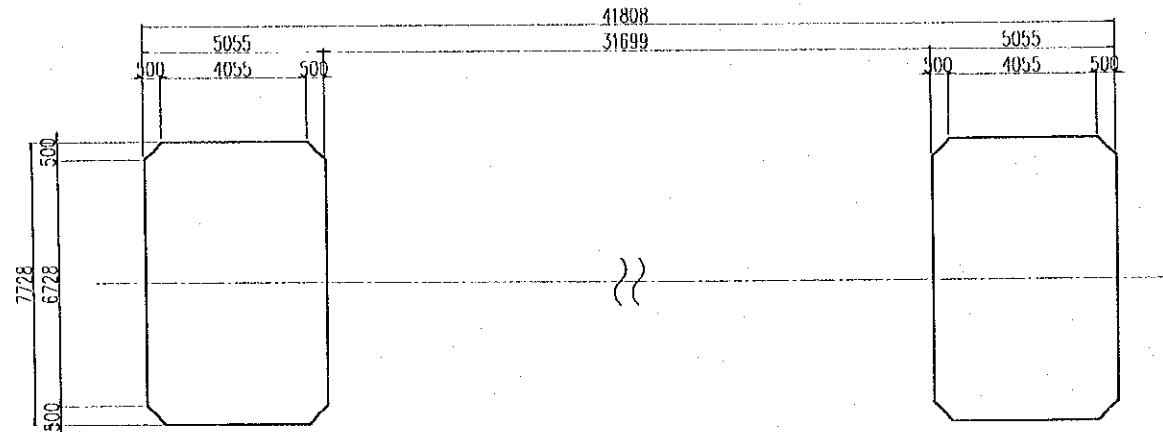
29-29



32-32



30-30

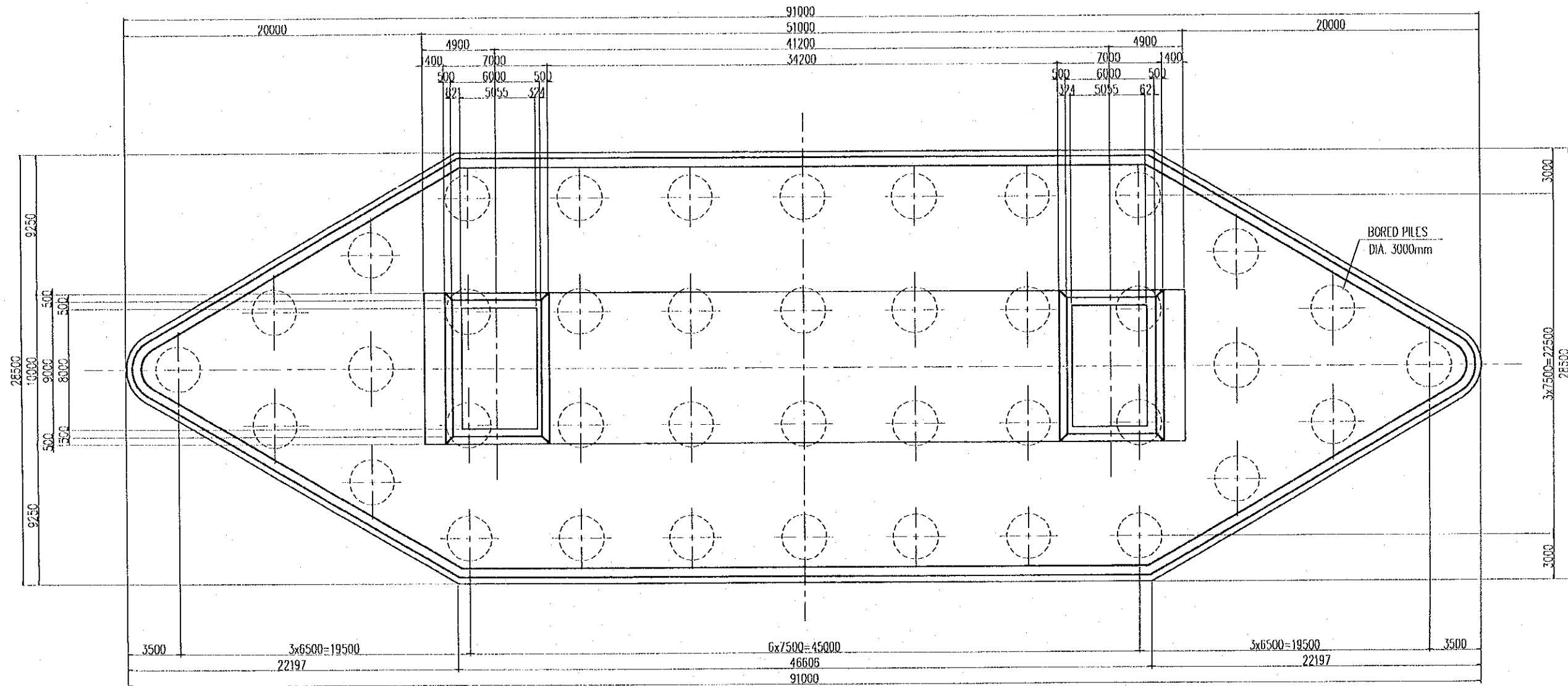


PROJECT NAME	IMPLEMENTATION AGENCY	EXECUTING AGENCY	JICA STUDY TEAM	PREPARED BY	CHECKED BY	APPROVED BY	DRAWING TITLE	DWG NO.
DETAILED DESIGN OF THE CAN THO BRIDGE CONSTRUCTION PROJECT	JICA JAPAN INTERNATIONAL COOPERATION AGENCY (JICA)	SOCIALIST REPUBLIC OF VIET NAM MINISTRY OF TRANSPORT (MOT) MY THUAN PROJECT MANAGEMENT UNIT	NIPPON KOEI CO.,LTD.	S. Kiguchi	K. Matsumoto	K. Enomoto	CABLE STAYED BRIDGE PYLON GENERAL ARRANGEMENT OF PYLON (8)	P2/CS/3000
				DATE: 20/9/2000	DATE: 29/9/2000	DATE: 5/10/2000		

# PLAN

SCALE 1:300

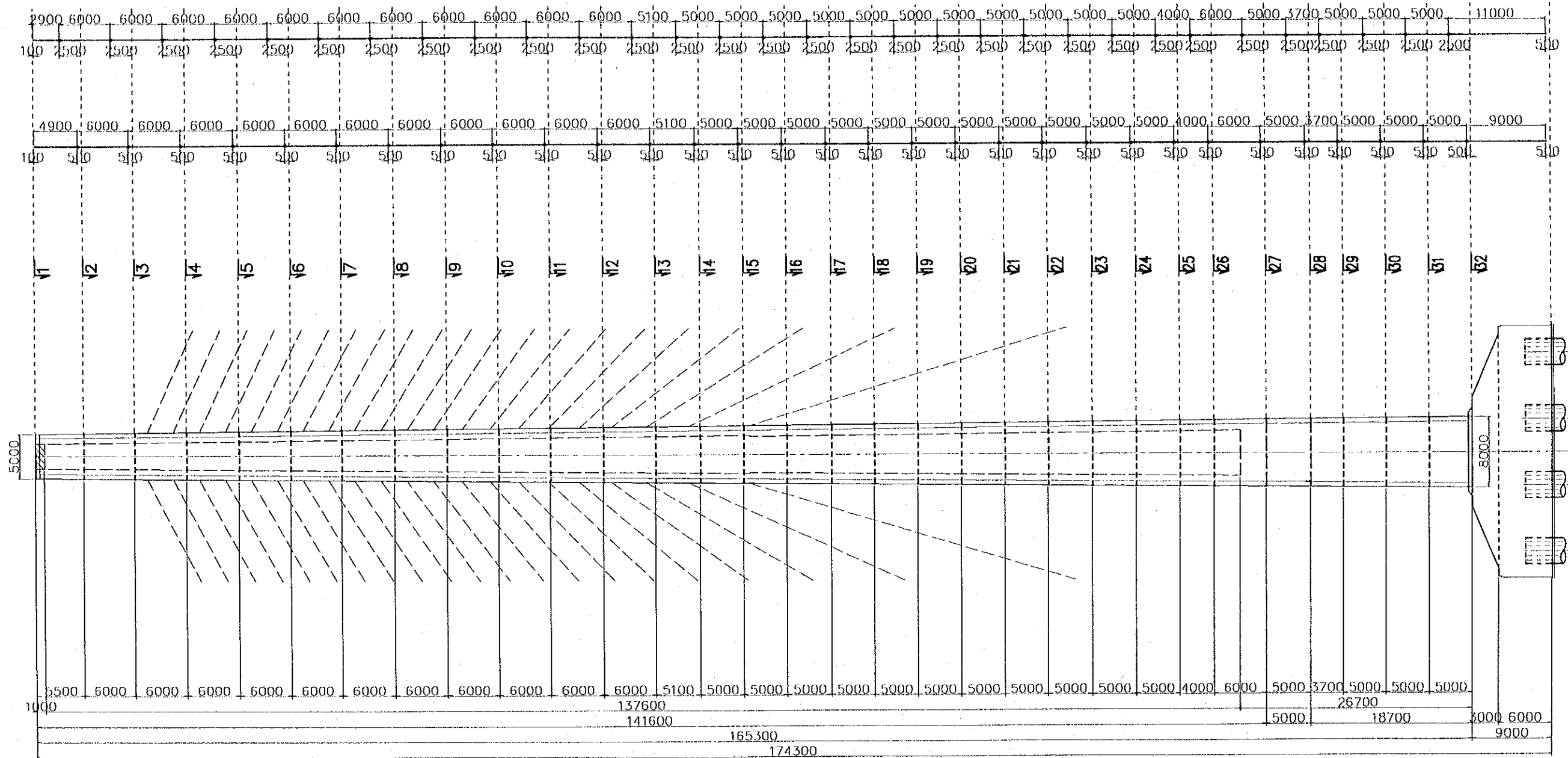
33-33



PROJECT NAME	IMPLEMENTATION AGENCY	EXECUTING AGENCY	JICA STUDY TEAM	PREPARED BY	CHECKED BY	APPROVED BY	DRAWING TITLE	DWG NO.
DETAILED DESIGN OF THE CAN THO BRIDGE CONSTRUCTION PROJECT	JICA JAPAN INTERNATIONAL COOPERATION AGENCY (JICA)	SOCIALIST REPUBLIC OF VIET NAM MINISTRY OF TRANSPORT (MOT) MY THUAN PROJECT MANAGEMENT UNIT	NIPPON KOEI CO.,LTD.	S. Kiguchi	K. Matsumoto	K. Enomoto	CABLE STAYED BRIDGE PYLON GENERAL ARRANGEMENT OF PYLON (9)	P2/CS/3090
				DATE: 20/9/2000	DATE: 29/9/2000	DATE: 5/10/2000		

# BAR ARRANGEMENT OF PYLON (1)

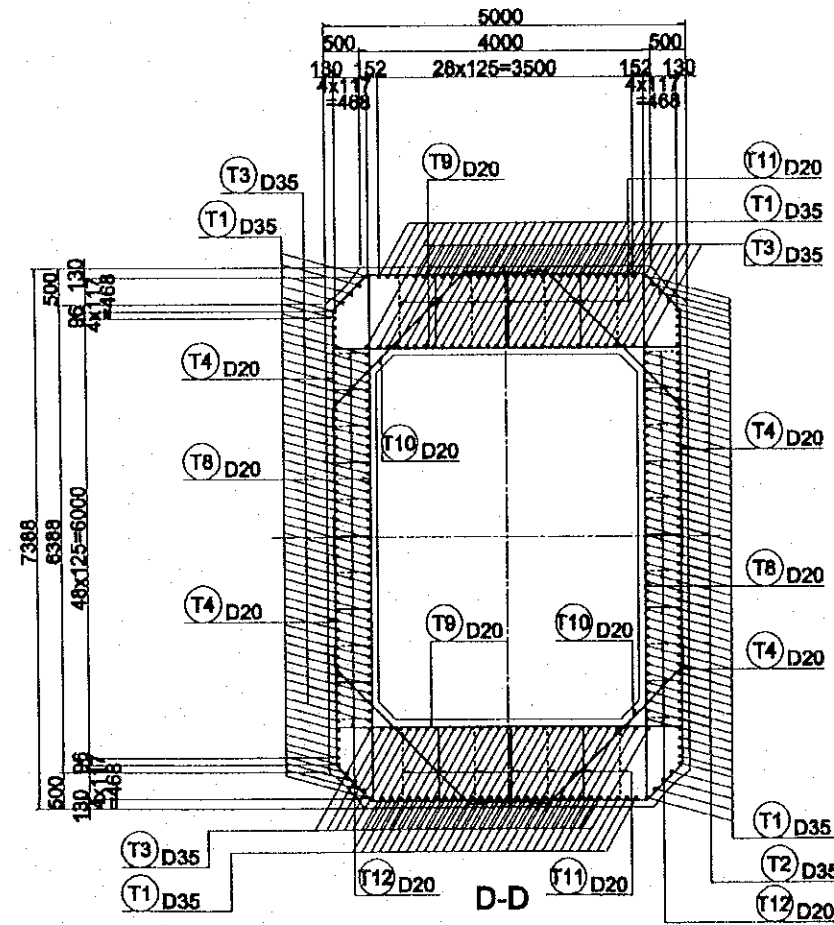
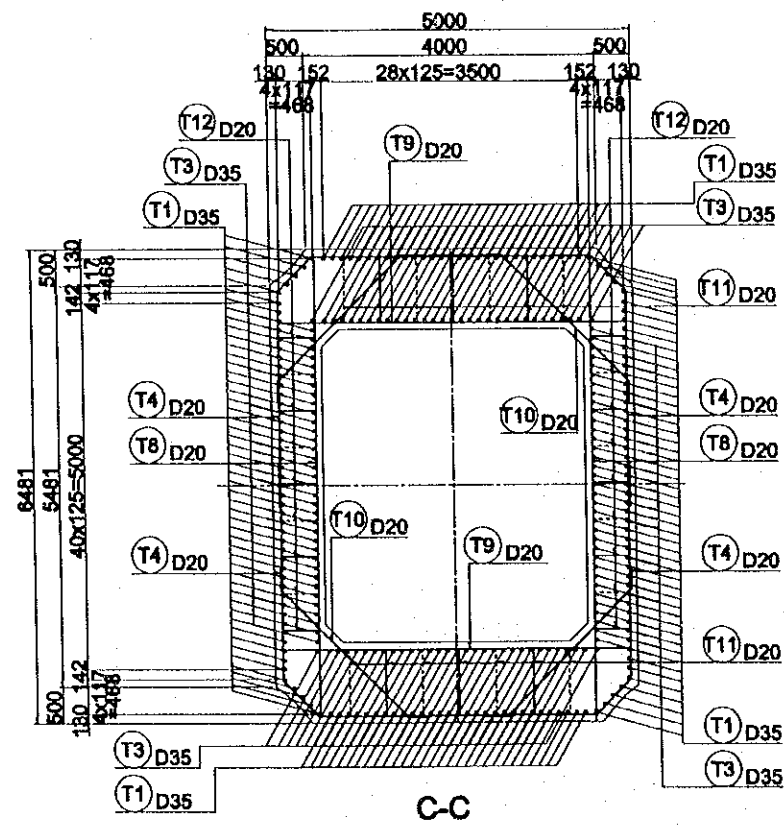
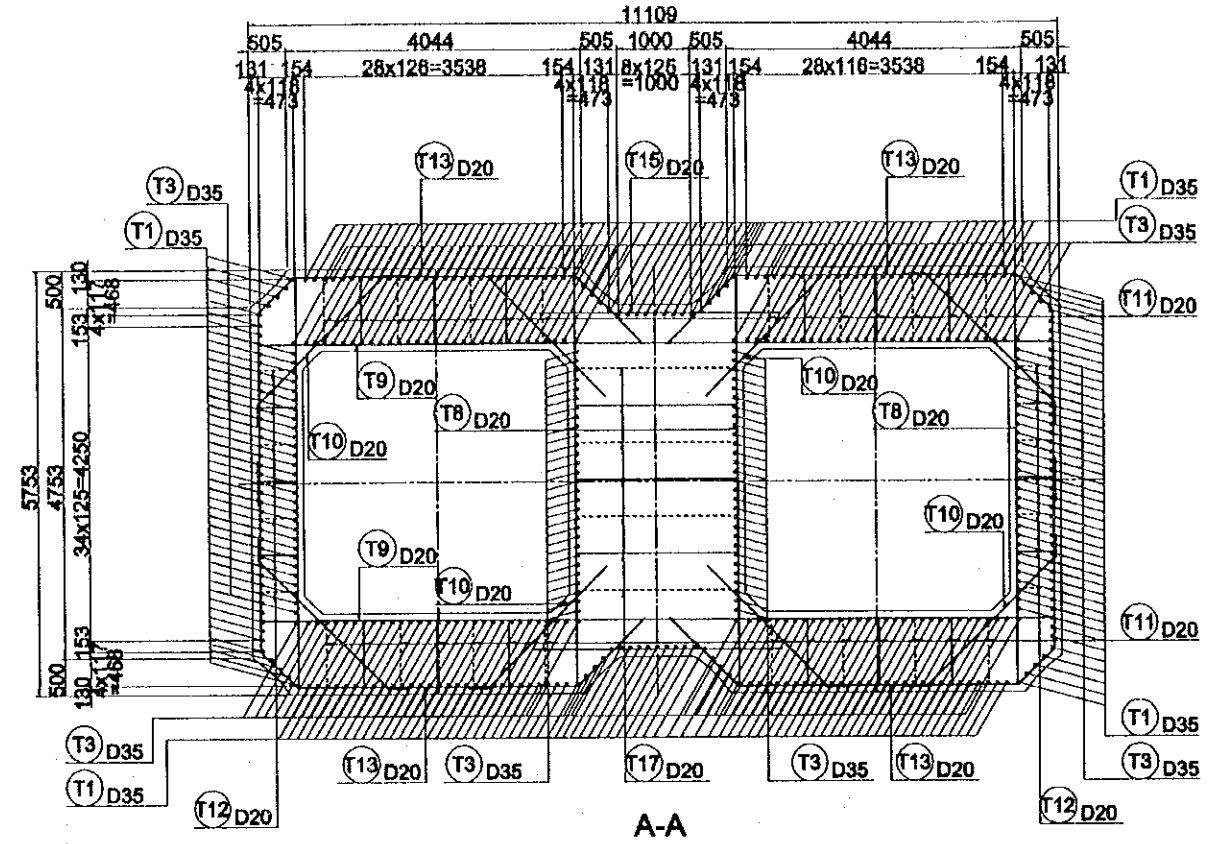
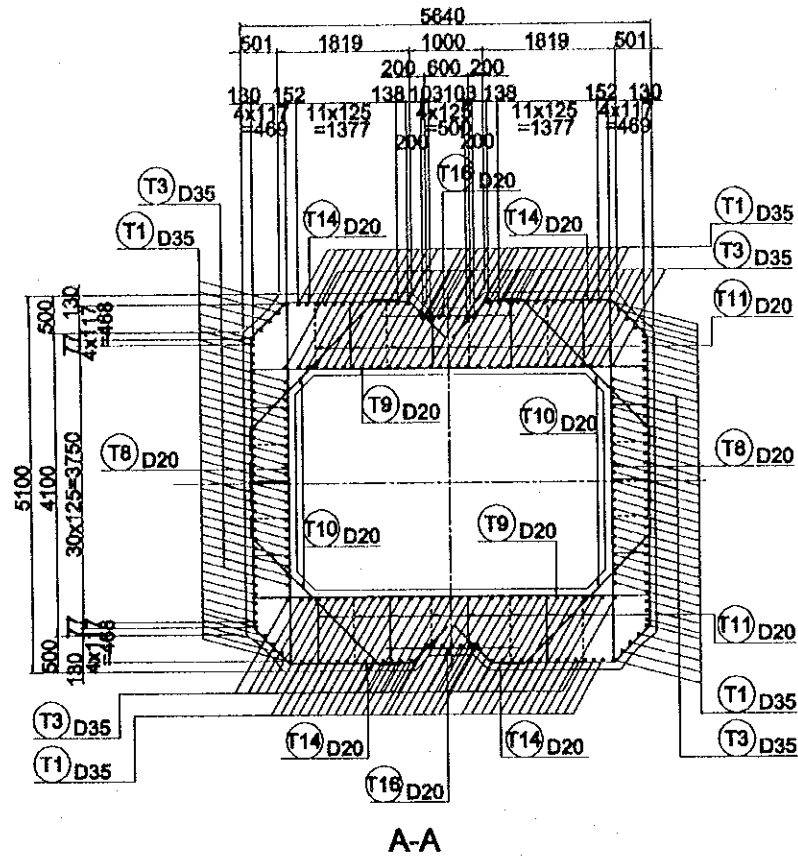
SCALE 1:500



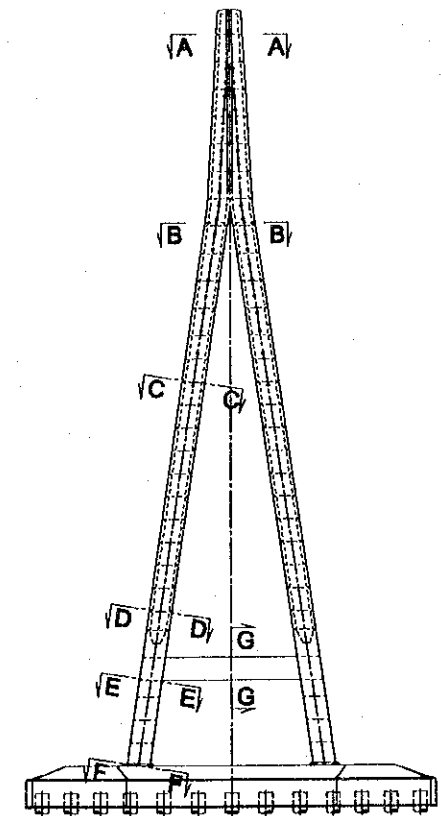
NOTE:  
SPLICE IN ADJACENT SHALL BE MECHANICAL JOINT  
AS APPROVAL BY THE ENGINEER.

PROJECT NAME	IMPLEMENTATION AGENCY	EXECUTING AGENCY	JICA STUDY TEAM	PREPARED BY	CHECKED BY	APPROVED BY	DRAWING TITLE	DWG NO.
DETAILED DESIGN OF THE CAN THO BRIDGE CONSTRUCTION PROJECT	JICA JAPAN INTERNATIONAL COOPERATION AGENCY (JICA)	SOCIALIST REPUBLIC OF VIET NAM MINISTRY OF TRANSPORT (MOT) MY THUAN PROJECT MANAGEMENT UNIT	NIPPON KOEI CO.,LTD.	S. Kiguchi	K. Matsumoto	K. Enomoto	CABLE STAYED BRIDGE PYLON BAR ARRANGEMENT OF PYLON (1)	P2/CS/3100
				DATE 20/9/2000	DATE 29/9/2000	DATE 5/10/2000		

# BAR ARRANGEMENT OF PYLON (2) SCALE 1:100

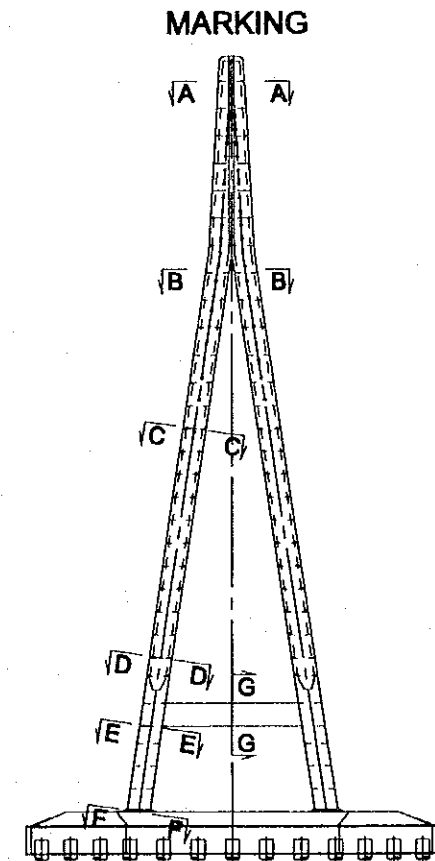
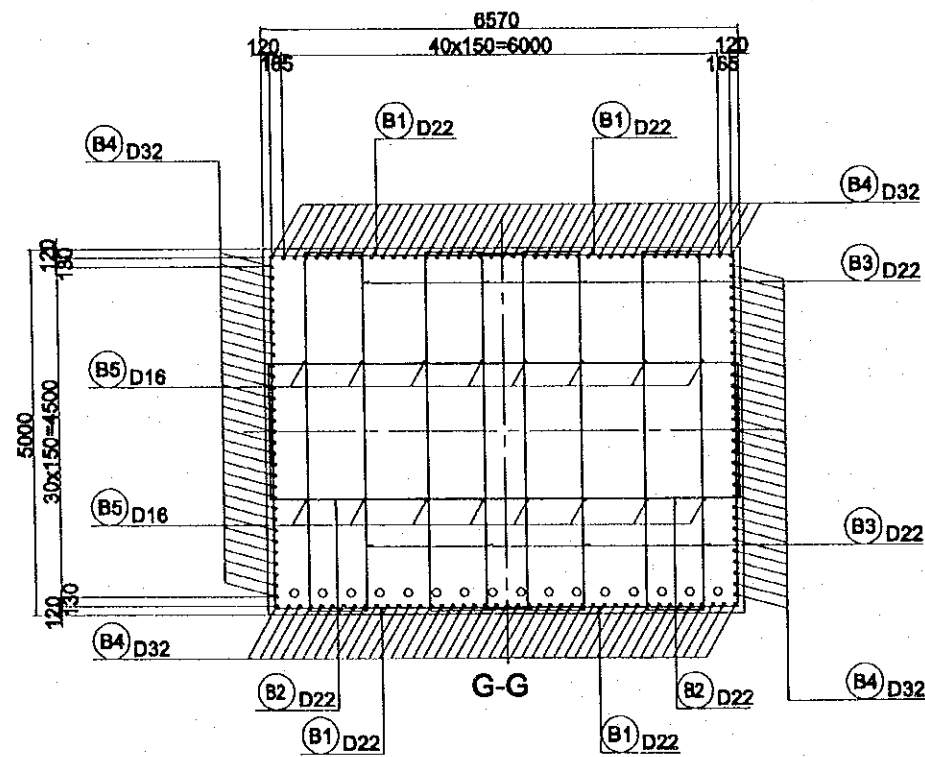
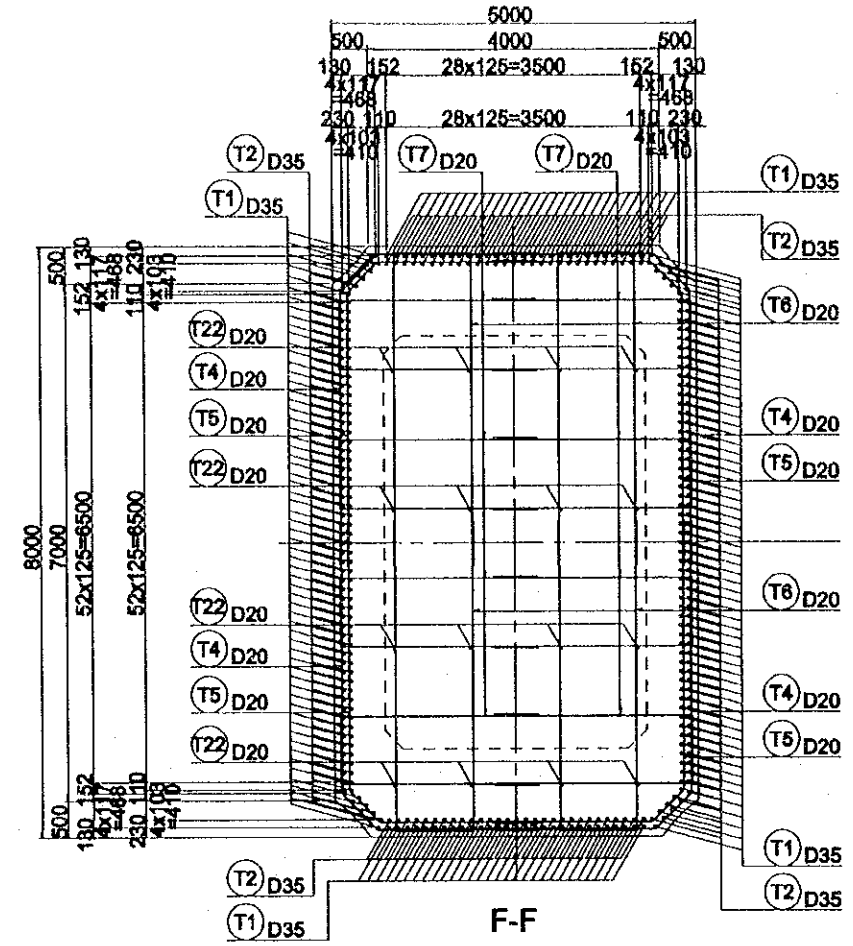
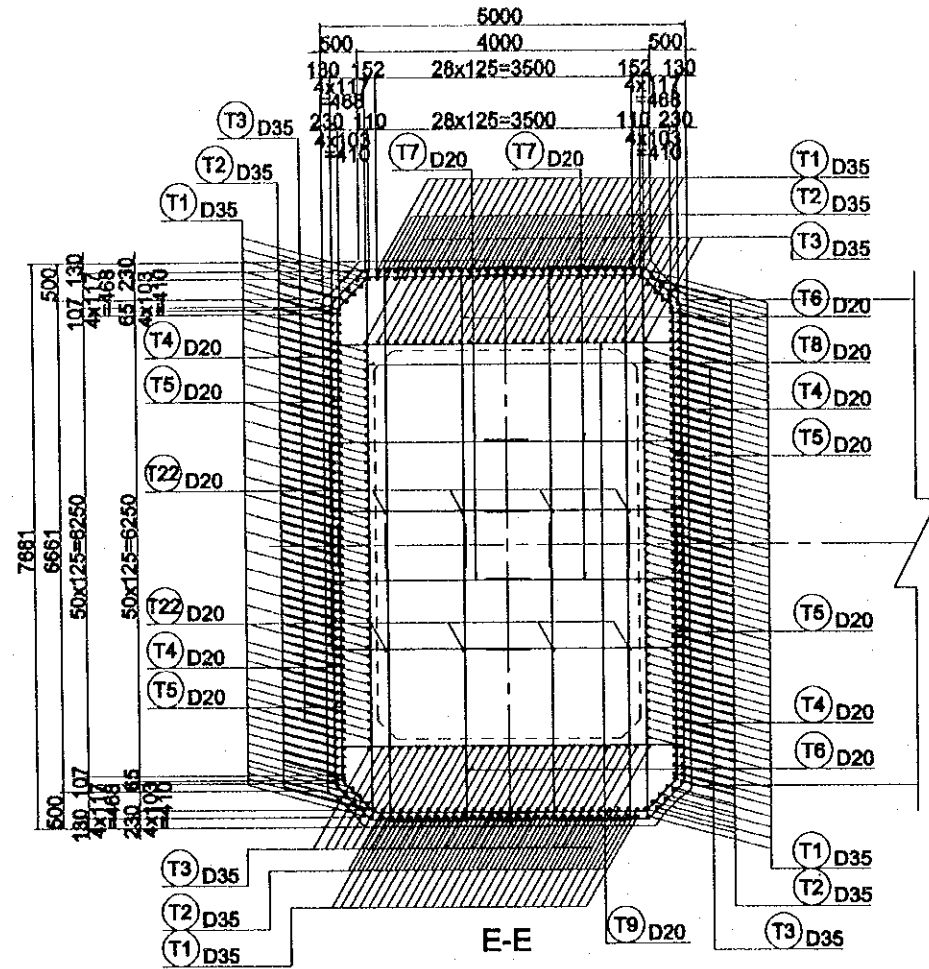


## MARKING



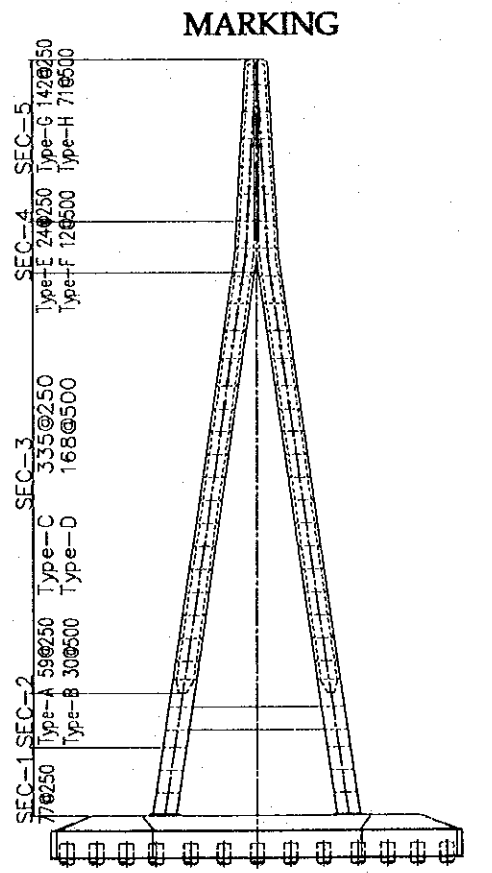
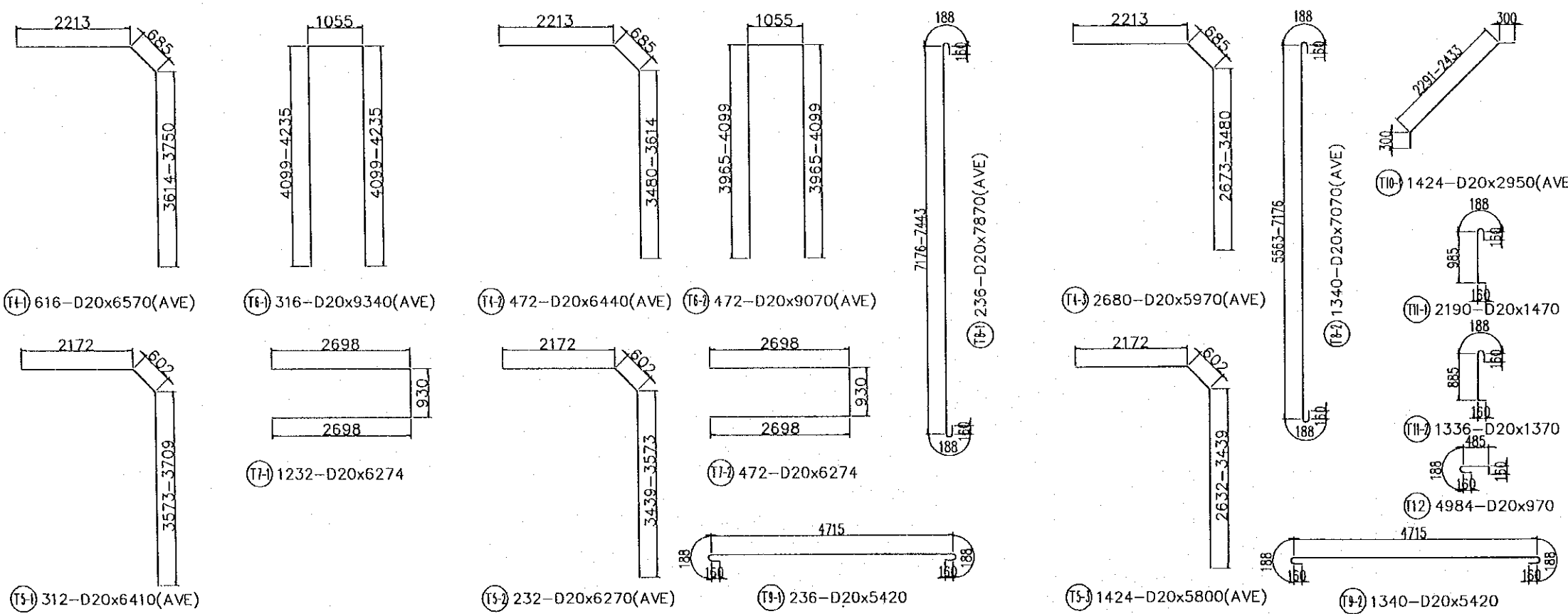
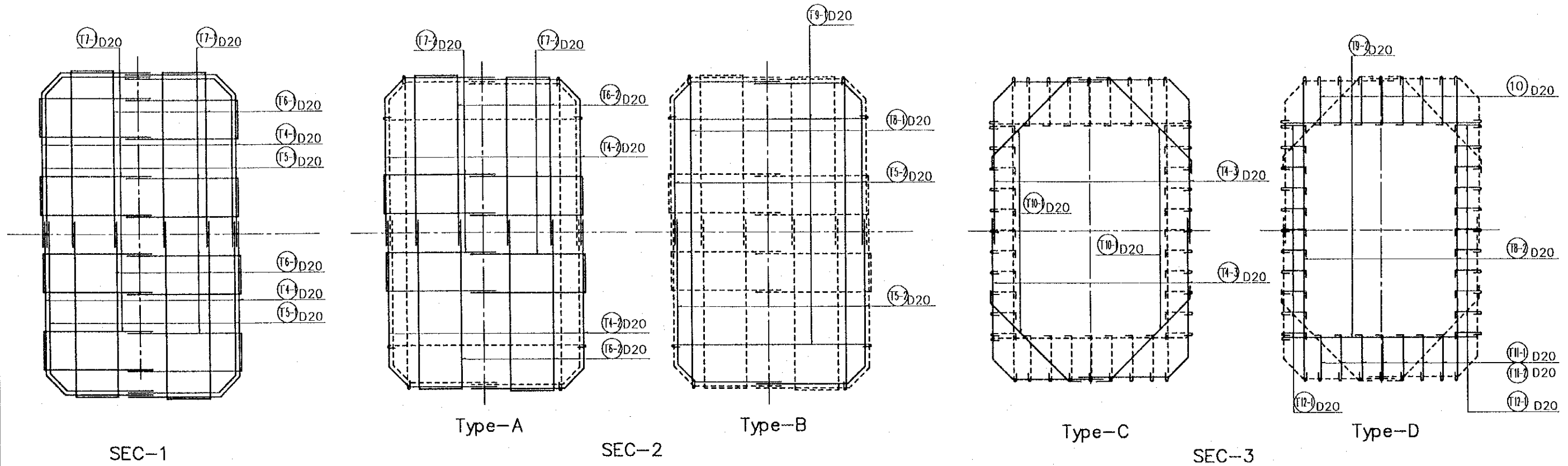
PROJECT NAME	IMPLEMENTATION AGENCY	EXECUTING AGENCY	JICA STUDY TEAM	PREPARED BY	CHECKED BY	APPROVED BY	DRAWING TITLE	DWG NO.
DETAILED DESIGN OF THE CAN THO BRIDGE CONSTRUCTION PROJECT	 JAPAN INTERNATIONAL COOPERATION AGENCY (JICA)	SOCIALIST REPUBLIC OF VIET NAM MINISTRY OF TRANSPORT (MOT) MY THUAN PROJECT MANAGEMENT UNIT	 NIPPON KOEI CO.,LTD.	NAME: S. Kiguchi SIGNATURE: <i>S. Kiguchi</i> DATE: 20/9/2000	NAME: K. Matsumoto SIGNATURE: <i>K. Matsumoto</i> DATE: 29/9/2000	NAME: K. Enomoto SIGNATURE: <i>K. Enomoto</i> DATE: 5/10/2000	CABLE STAYED BRIDGE PYLON BAR ARRANGEMENT OF PYLON (2)	P2/CS/3110

# BAR ARRANGEMENT OF PYLON (3) SCALE 1:100



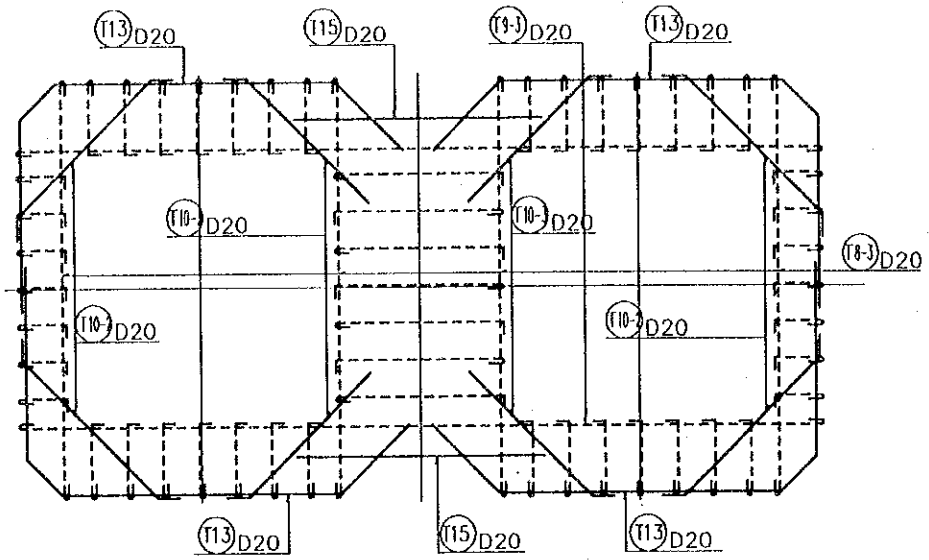
PROJECT NAME	IMPLEMENTATION AGENCY	EXECUTING AGENCY	JICA STUDY TEAM	PREPARED BY	CHECKED BY	APPROVED BY	DRAWING TITLE	DWG NO.
DETAILED DESIGN OF THE CAN THO BRIDGE CONSTRUCTION PROJECT	JAPAN INTERNATIONAL COOPERATION AGENCY (JICA)	SOCIALIST REPUBLIC OF VIET NAM MINISTRY OF TRANSPORT (MOT) MY THUAN PROJECT MANAGEMENT UNIT	NIPPON KOEI CO.,LTD.	NAME: S. Kiguchi SIGNATURE: <i>S. Kiguchi</i> DATE: 20/9/2000	NAME: K. Matsumoto SIGNATURE: <i>K. Matsumoto</i> DATE: 29/9/2000	NAME: K. Enomoto SIGNATURE: <i>K. Enomoto</i> DATE: 5/10/2000	CABLE STAYED BRIDGE PYLON BAR ARRANGEMENT OF PYLON (3)	P2/CS/3120

# BAR ARRANGEMENT OF PYLON (4)

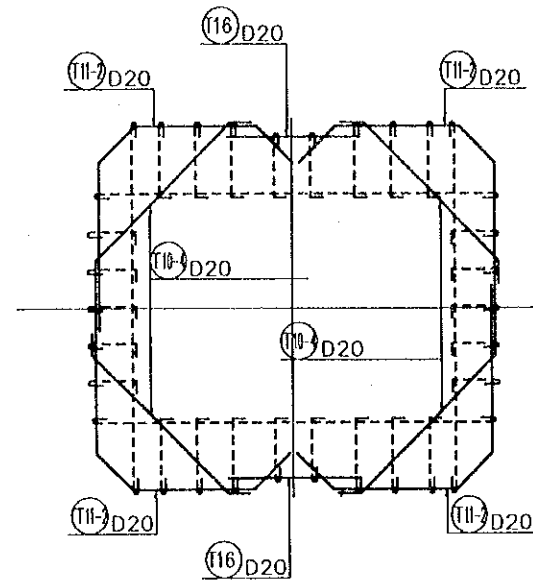


PROJECT NAME DETAILED DESIGN OF THE CAN THO BRIDGE CONSTRUCTION PROJECT	IMPLEMENTATION AGENCY JAPAN INTERNATIONAL COOPERATION AGENCY (JICA)	EXECUTING AGENCY SOCIALIST REPUBLIC OF VIET NAM MINISTRY OF TRANSPORT (MOT) MY THUAN PROJECT MANAGEMENT UNIT	JICA STUDY TEAM NIPPON KOEI CO.,LTD.	PREPARED BY NAME S. Kiguchi	CHECKED BY K. Matsumoto	APPROVED BY K. Enomoto	DRAWING TITLE CABLE STAYED BRIDGE PYLON BAR ARRANGEMENT OF PYLON (4)	DWG NO. P2/CS/3130
				SIGNATURE S. Kiguchi	K. Matsumoto			
				DATE 20/9/2000	29/9/2000	5/10/2000		

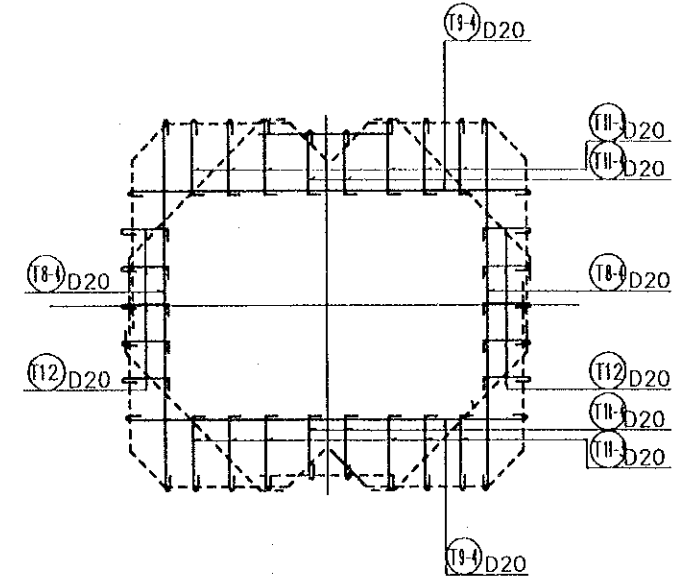
# BAR ARRANGEMENT OF PYLON (5)



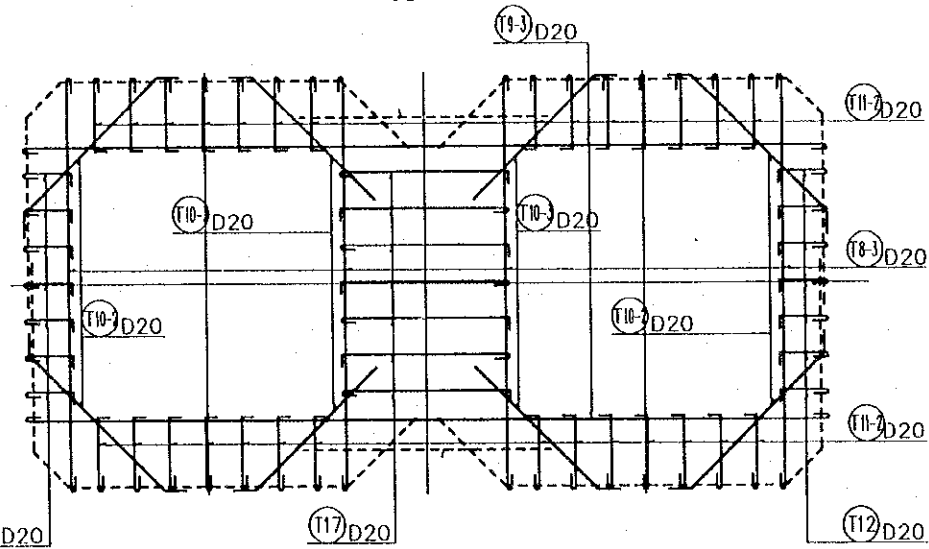
Type-B



Type-G

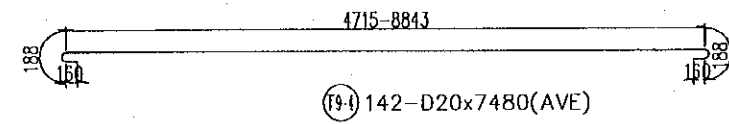
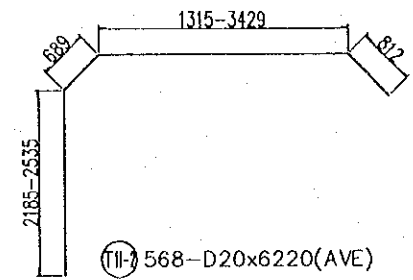


Type-H

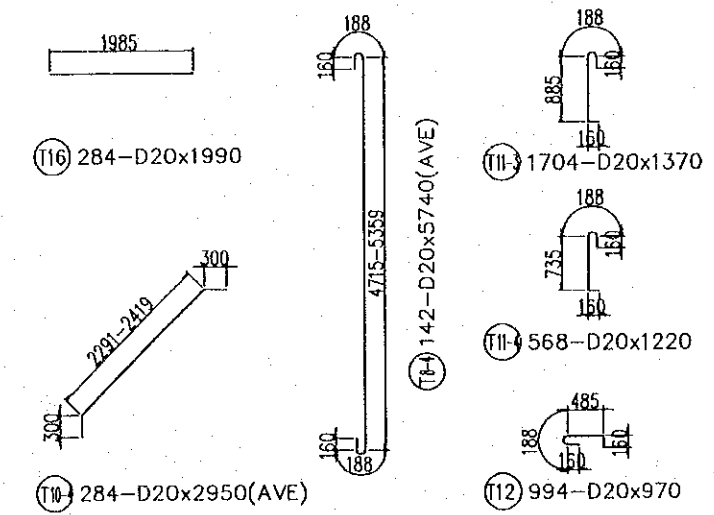
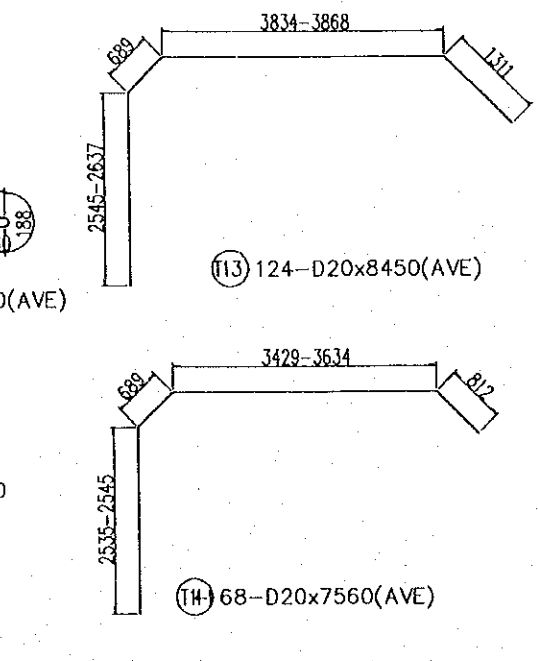
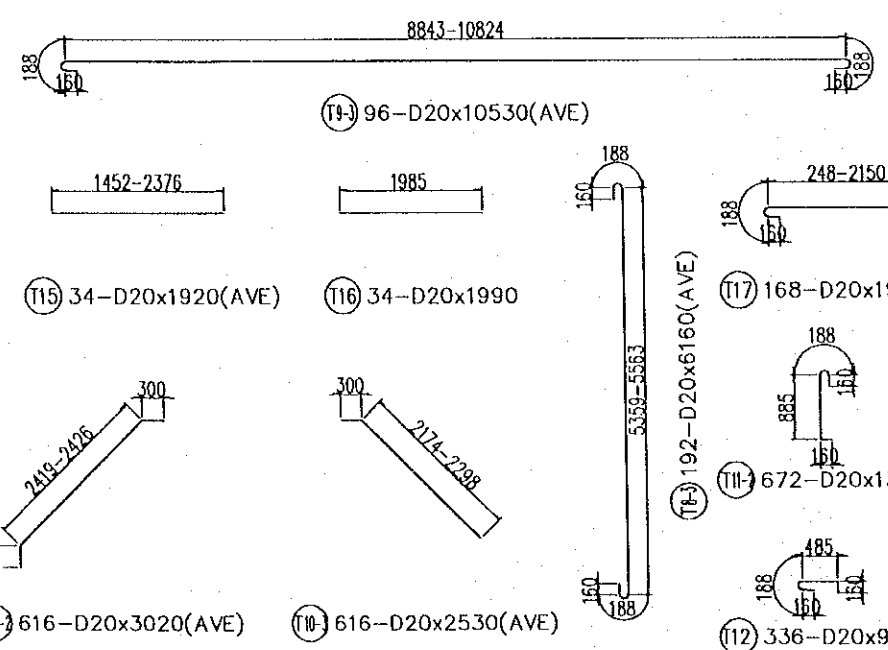
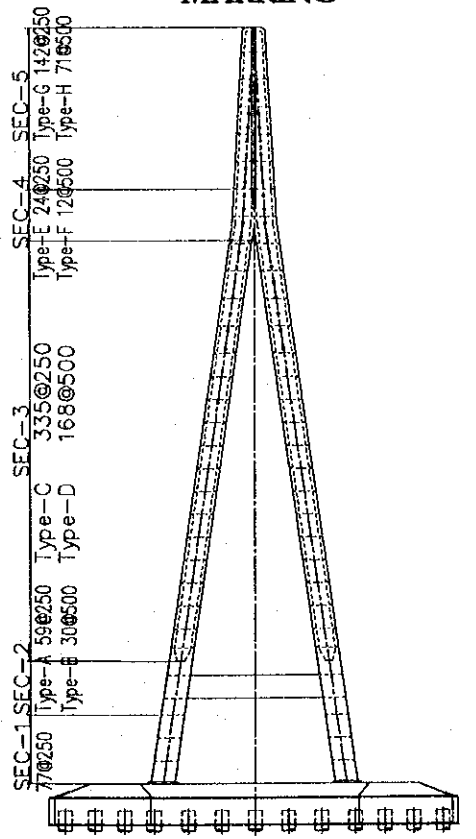


Type-F  
SEC-4

SEC-5

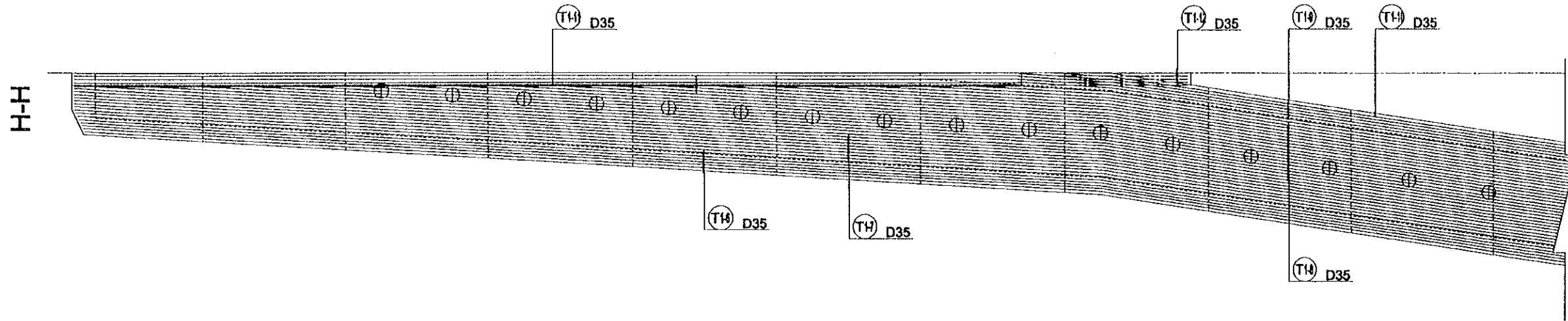


## MARKING

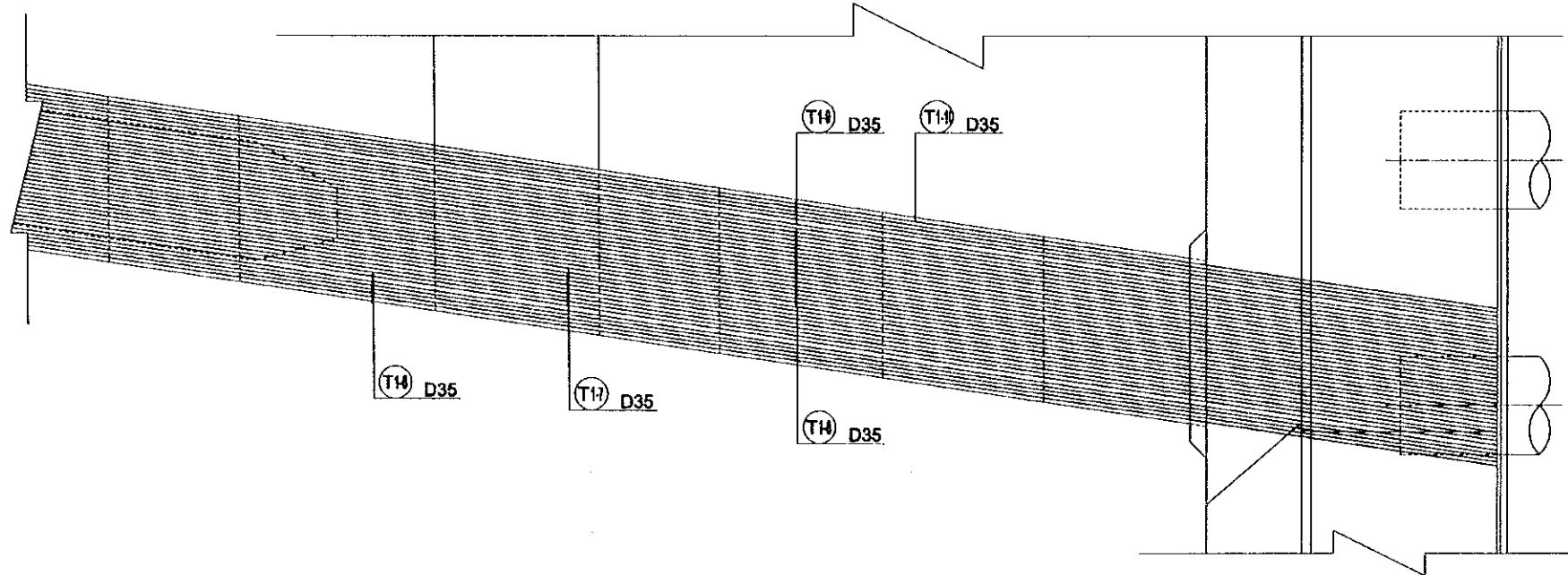
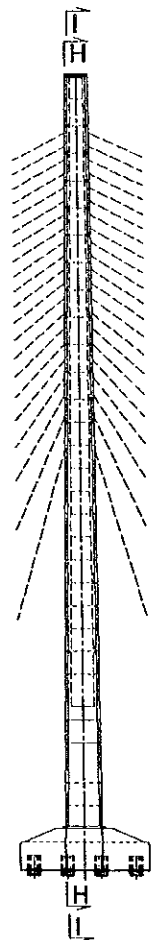


PROJECT NAME	IMPLEMENTATION AGENCY	EXECUTING AGENCY	JICA STUDY TEAM	PREPARED BY	CHECKED BY	APPROVED BY	DRAWING TITLE	DWG NO.
DETAILED DESIGN OF THE CAN THO BRIDGE CONSTRUCTION PROJECT	JICA JAPAN INTERNATIONAL COOPERATION AGENCY (JICA)	SOCIALIST REPUBLIC OF VIET NAM MINISTRY OF TRANSPORT (MOT) MY THUAN PROJECT MANAGEMENT UNIT	(NK) NIPPON KOEI CO.,LTD.	NAME: S. Kiguchi SIGNATURE: <i>S. Kiguchi</i> DATE: 20/9/2000	NAME: K. Matsumoto SIGNATURE: <i>K. Matsumoto</i> DATE: 29/9/2000	NAME: K. Enomoto SIGNATURE: <i>K. Enomoto</i> DATE: 5/10/2000	CABLE STAYED BRIDGE PYLON BAR ARRANGEMENT OF PYLON (5)	F2/CS/3140

BAR ARRANGEMENT OF PYLON (6) SCALE 1:200



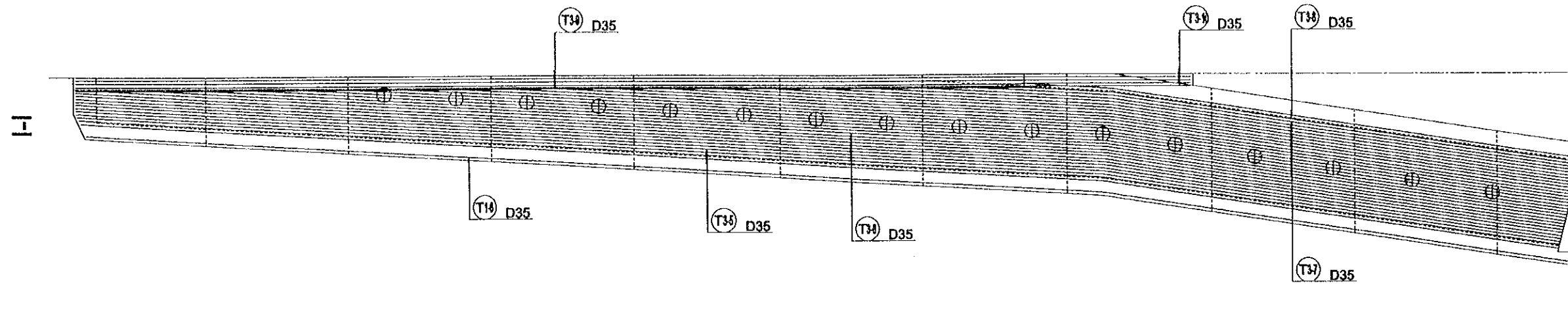
MARKING



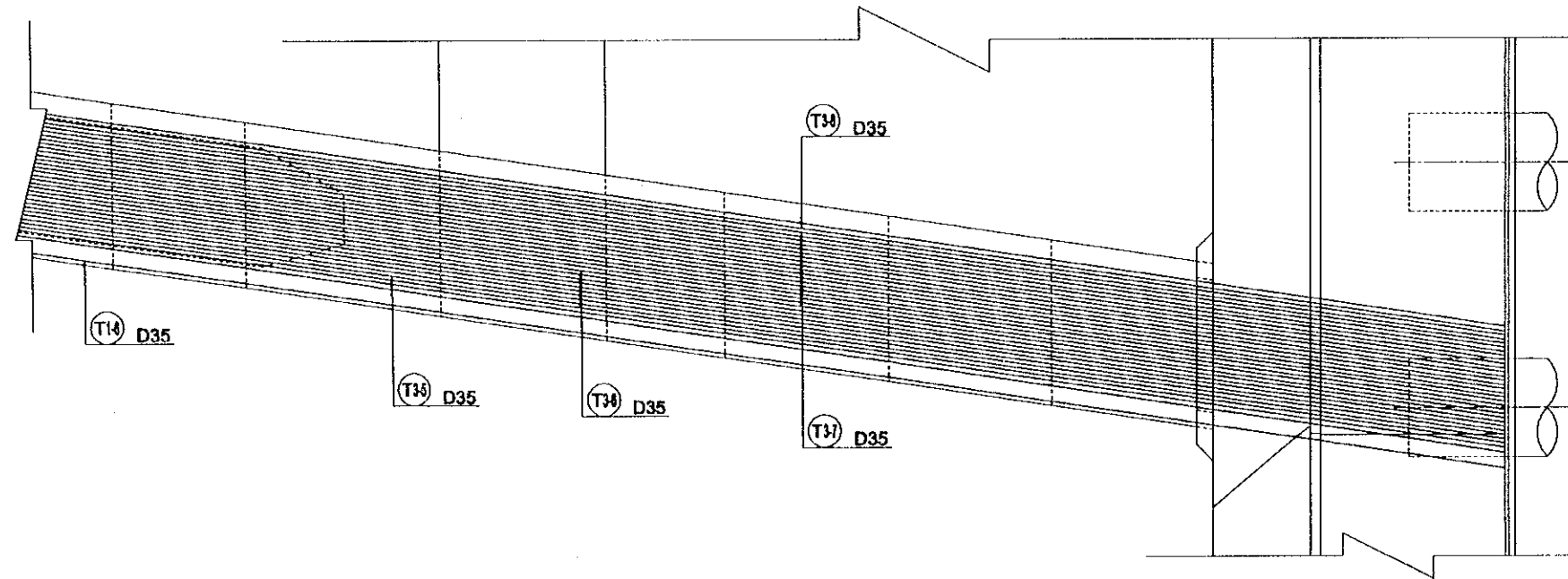
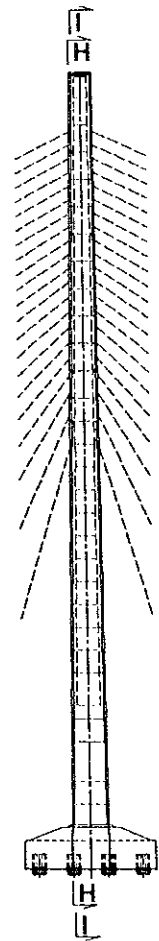
PROJECT NAME	IMPLEMENTATION AGENCY	EXECUTING AGENCY	JICA STUDY TEAM	PREPARED BY	CHECKED BY	APPROVED BY	DRAWING TITLE	DWG NO.
DETAILED DESIGN OF THE CAN THO BRIDGE CONSTRUCTION PROJECT	JICA JAPAN INTERNATIONAL COOPERATION AGENCY (JICA)	SOCIALIST REPUBLIC OF VIET NAM MINISTRY OF TRANSPORT (MOT) MY THUAN PROJECT MANAGEMENT UNIT	(NK) NIPPON KOEI CO.,LTD.	NAME: S. Kiguchi SIGNATURE: <i>S. Kiguchi</i> DATE: 20/9/2000	NAME: K. Matsumoto SIGNATURE: <i>K. Matsumoto</i> DATE: 29/9/2000	NAME: K. Enomoto SIGNATURE: <i>K. Enomoto</i> DATE: 5/10/2000	CABLE STAYED BRIDGE PYLON BAR ARRANGEMENT OF PYLON (6)	P2/CS/3150



# BAR ARRANGEMENT OF PYLON (7) SCALE 1:200

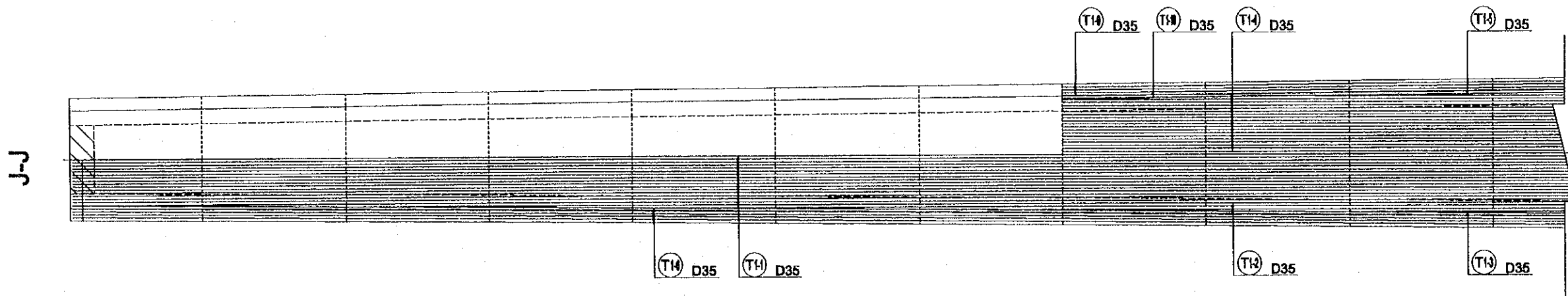


## MARKING

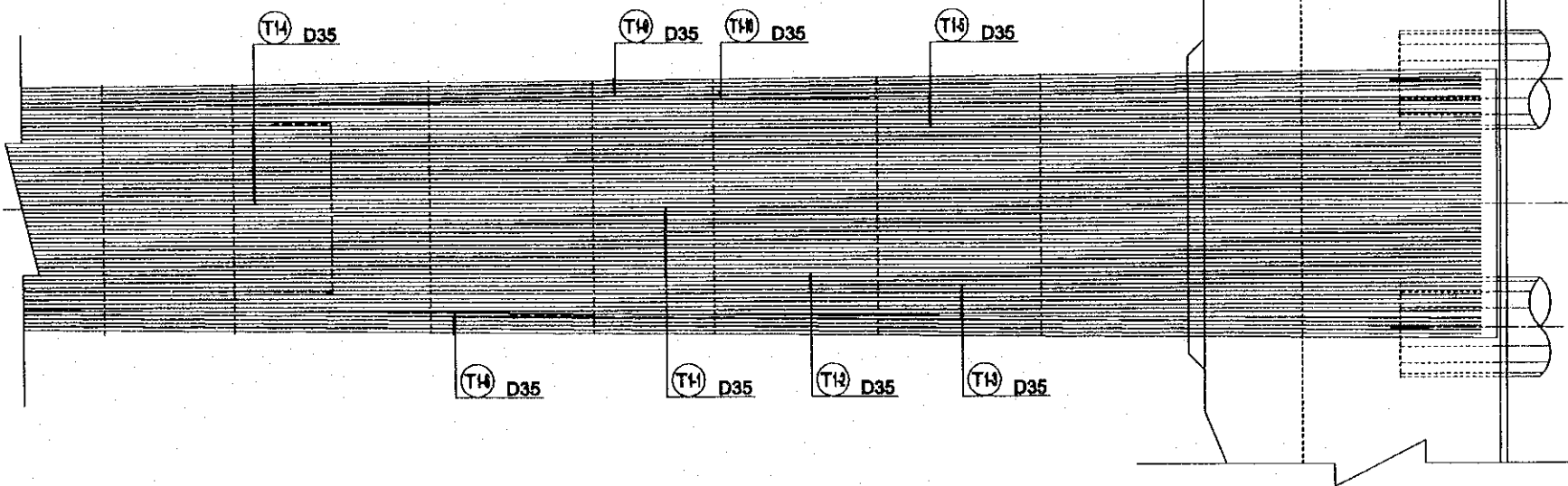
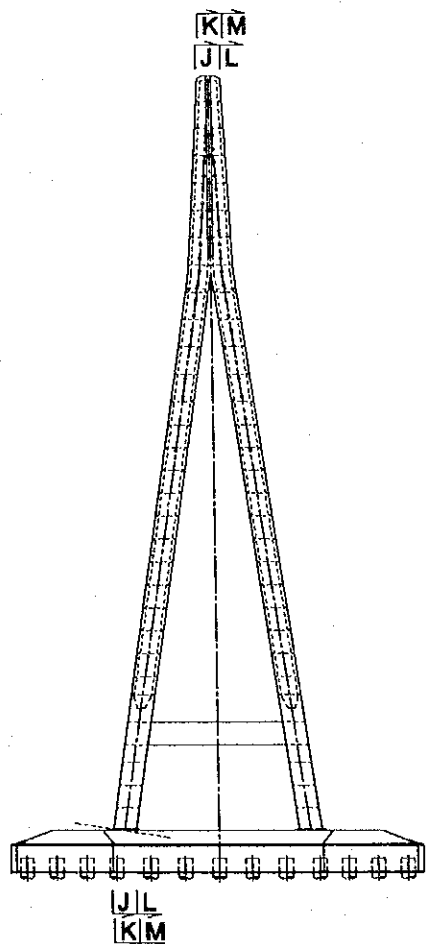


PROJECT NAME	IMPLEMENTATION AGENCY	EXECUTING AGENCY	JICA STUDY TEAM		PREPARED BY	CHECKED BY	APPROVED BY	DRAWING TITLE	DWG NO.
DETAILED DESIGN OF THE CAN THO BRIDGE CONSTRUCTION PROJECT	JAPAN INTERNATIONAL COOPERATION AGENCY (JICA)	SOCIALIST REPUBLIC OF VIET NAM MINISTRY OF TRANSPORT (MOT) MY THUAN PROJECT MANAGEMENT UNIT	NIPPON KOEI CO.,LTD.	NAME	S. Kiguchi	K. Matsumoto	K. Enomoto	CABLE STAYED BRIDGE PYLON BAR ARRANGEMENT OF PYLON (7)	P2/CS/3160
				SIGNATURE	<i>S. Kiguchi</i>	<i>K. Matsumoto</i>	<i>K. Enomoto</i>		
				DATE	20/9/2000	29/9/2000	5/10/2000		

BAR ARRANGEMENT OF PYLON (8) SCALE 1:200

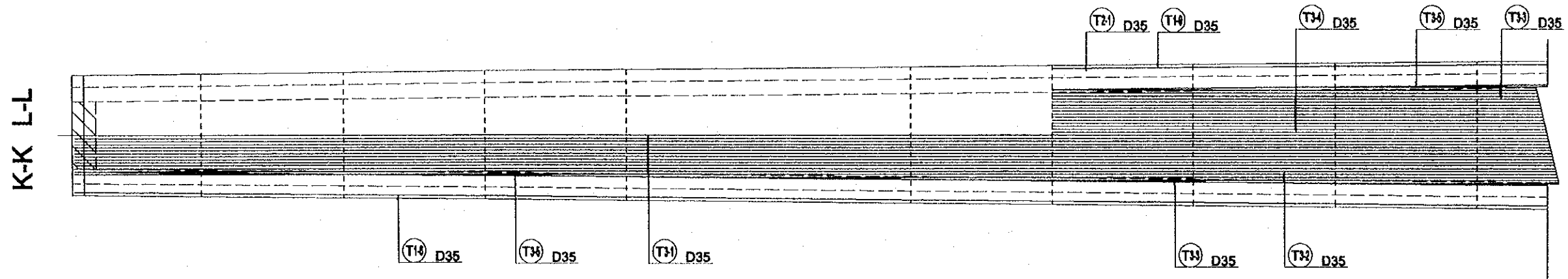


MARKING

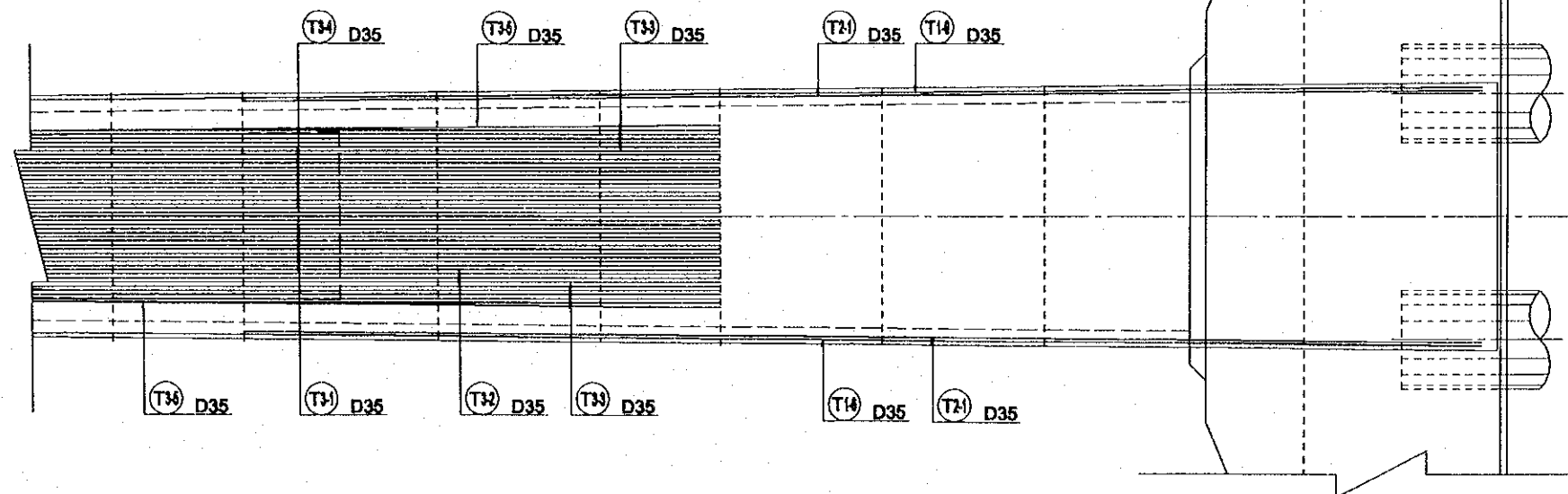
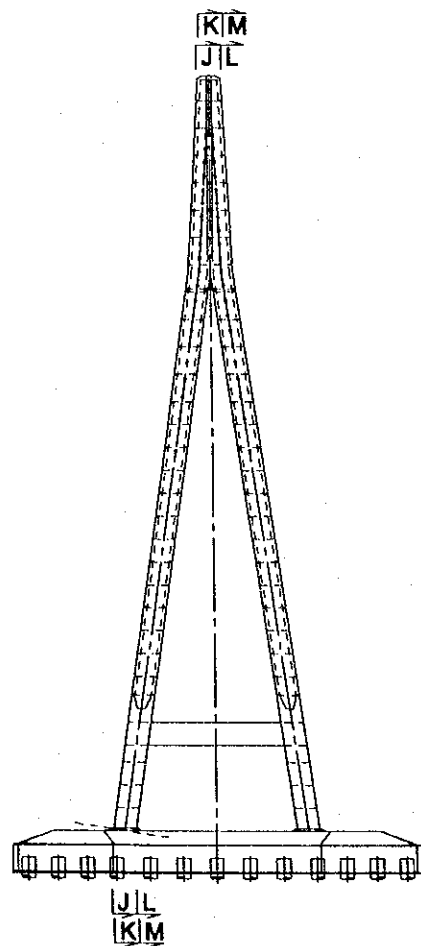


PROJECT NAME	IMPLEMENTATION AGENCY	EXECUTING AGENCY	JICA STUDY TEAM	PREPARED BY	CHECKED BY	APPROVED BY	DRAWING TITLE	DWG NO.
DETAILED DESIGN OF THE CAN THO BRIDGE CONSTRUCTION PROJECT	JICA JAPAN INTERNATIONAL COOPERATION AGENCY (JICA)	SOCIALIST REPUBLIC OF VIET NAM MINISTRY OF TRANSPORT (MOT) MY THUAN PROJECT MANAGEMENT UNIT	NIPPON KOBİ CO.,LTD.	S. Kiguchi	K. Matsumoto	K. Enomoto	CABLE STAYED BRIDGE PYLON BAR ARRANGEMENT OF PYLON (8)	P2/CS/3170
				DATE 20/9/2000	DATE 29/9/2000	DATE 5/10/2000		

# BAR ARRANGEMENT OF PYLON (9) SCALE 1:200



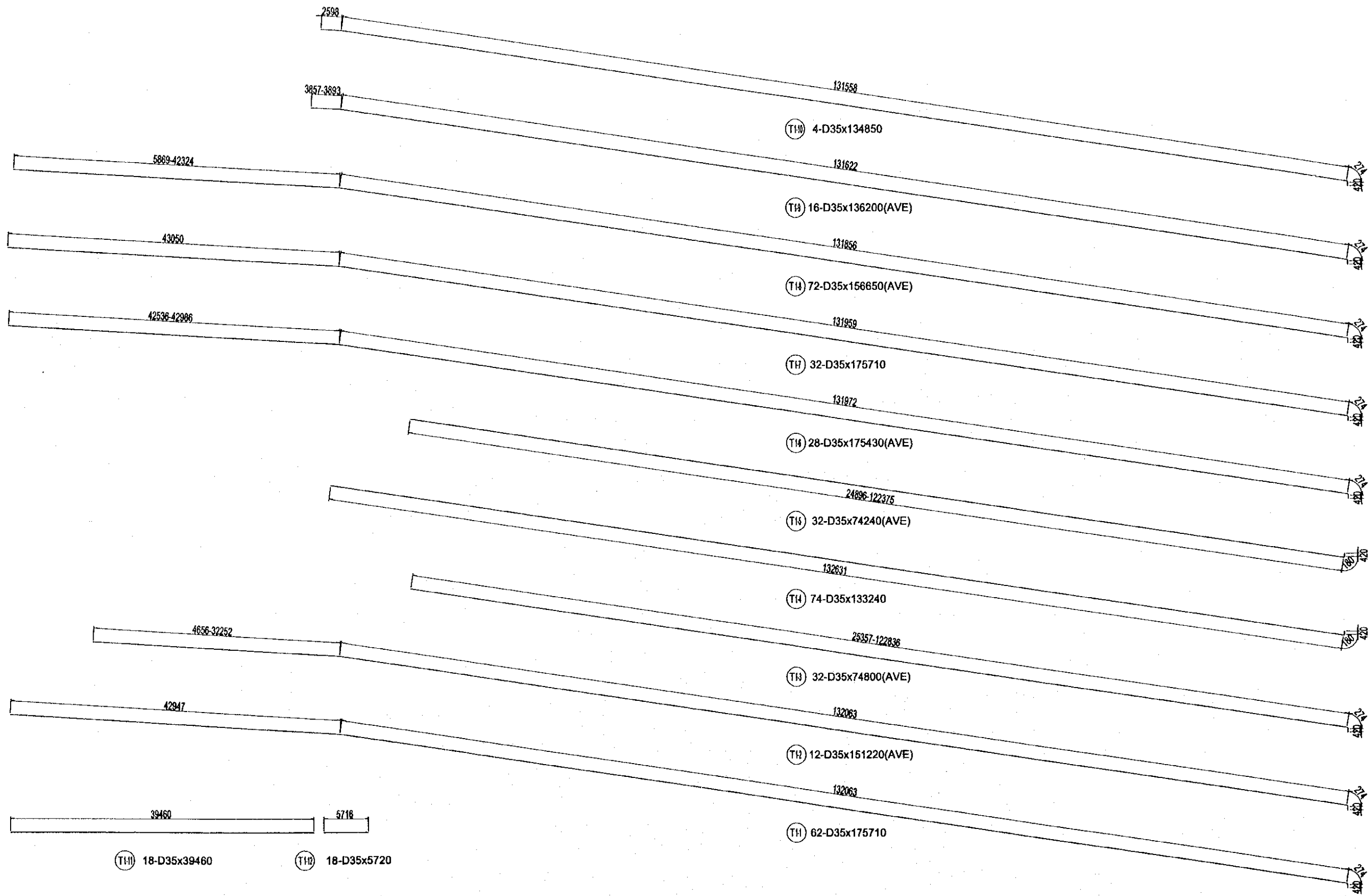
## MARKING



PROJECT NAME	IMPLEMENTATION AGENCY	EXECUTING AGENCY	JICA STUDY TEAM	PREPARED BY	CHECKED BY	APPROVED BY	DRAWING TITLE	DWG NO.
DETAILED DESIGN OF THE CAN THO BRIDGE CONSTRUCTION PROJECT	JAPAN INTERNATIONAL COOPERATION AGENCY (JICA)	SOCIALIST REPUBLIC OF VIET NAM MINISTRY OF TRANSPORT (MOT) MY THUAN PROJECT MANAGEMENT UNIT	NIPPON KORI CO.,LTD.	NAME: S. Kiguchi SIGNATURE: <i>S. Kiguchi</i> DATE: 20/9/2000	K. Matsumoto <i>K. Matsumoto</i> 29/9/2000	K. Enomoto <i>K. Enomoto</i> 5/10/2000	CABLE STAYED BRIDGE PYLON BAR ARRANGEMENT OF PYLON (9)	P2/CS/3180

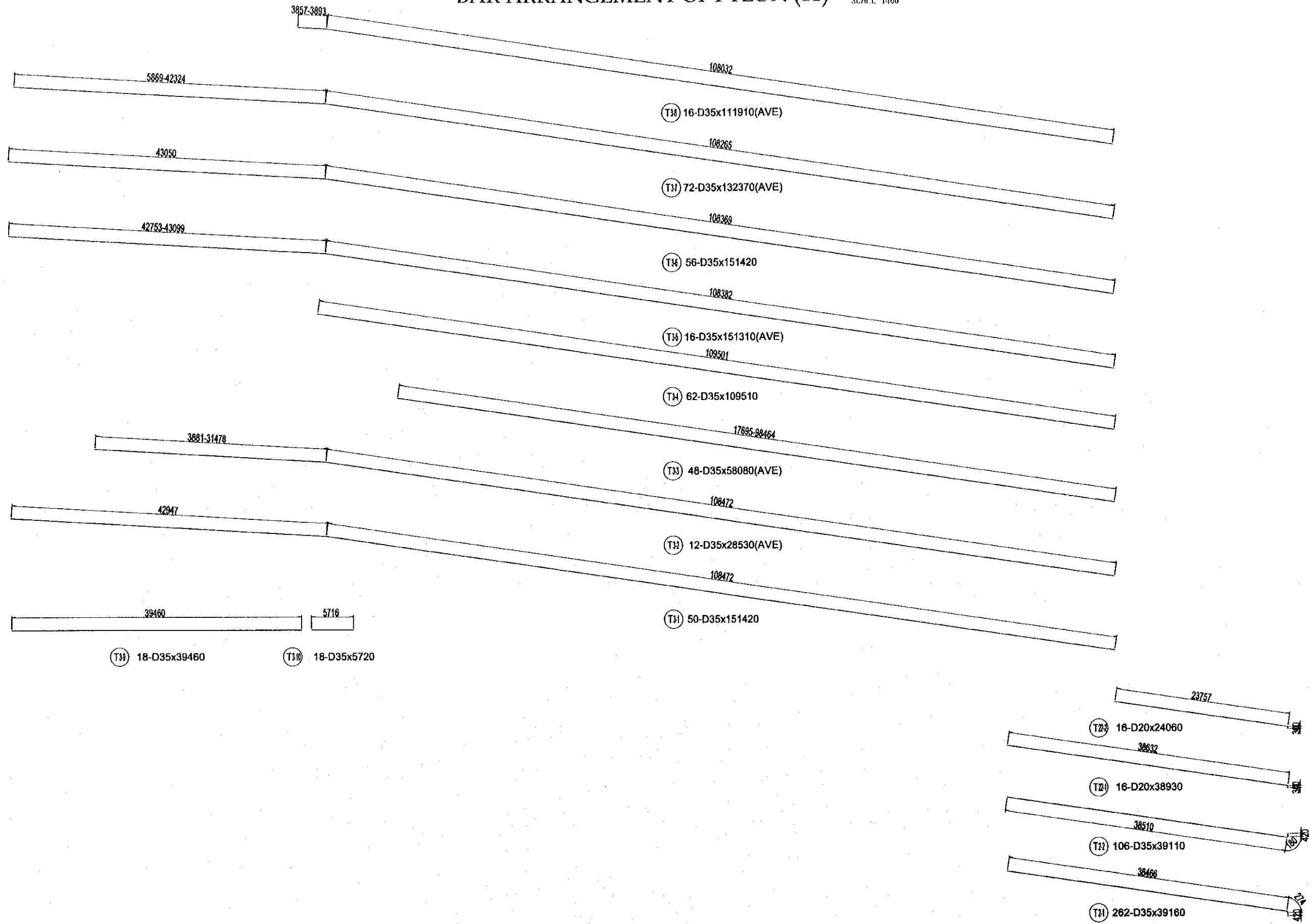
# BAR ARRANGEMENT OF PYLON (10)

SCALE 1:100



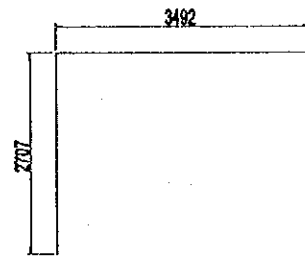
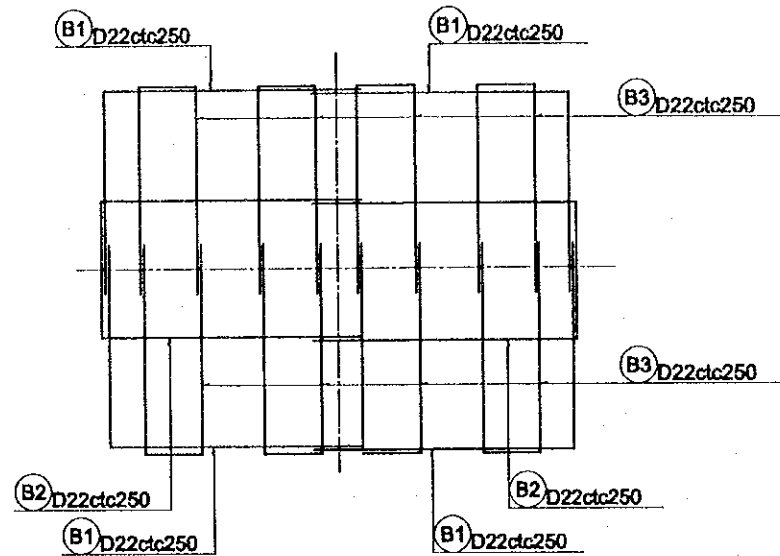
PROJECT NAME	IMPLEMENTATION AGENCY	EXECUTING AGENCY	JICA STUDY TEAM	PREPARED BY	CHECKED BY	APPROVED BY	DRAWING TITLE	DWG NO.
DETAILED DESIGN OF THE CAN THO BRIDGE CONSTRUCTION PROJECT	JICA JAPAN INTERNATIONAL COOPERATION AGENCY (JICA)	SOCIALIST REPUBLIC OF VIET NAM MINISTRY OF TRANSPORT (MOT) MY THUAN PROJECT MANAGEMENT UNIT	(NK) NIPPON KOBI CO.,LTD.	NAME: S. Kiguchi SIGNATURE: <i>S. Kiguchi</i> DATE: 20/9/2000	NAME: K. Matsumoto SIGNATURE: <i>K. Matsumoto</i> DATE: 29/9/2000	NAME: K. Enomoto SIGNATURE: <i>K. Enomoto</i> DATE: 5/10/2000	CABLE STAYED BRIDGE PYLON BAR ARRANGEMENT OF PYLON (10)	P2/CS/3190

# BAR ARRANGEMENT OF PYLON (11) SCALE 1:100

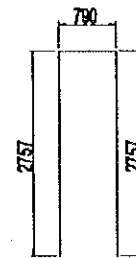


PROJECT NAME	IMPLEMENTATION AGENCY	EXECUTING AGENCY	JICA STUDY TEAM	PREPARED BY	CHECKED BY	APPROVED BY	DRAWING TITLE	DWG NO.	
DETAILED DESIGN OF THE CAN THO BRIDGE CONSTRUCTION PROJECT	JAPAN INTERNATIONAL COOPERATION AGENCY (JICA)	SOCIALIST REPUBLIC OF VIET NAM MINISTRY OF TRANSPORT (MOT) MY THUAN PROJECT MANAGEMENT UNIT	NIPPON KOEI CO., LTD.	NAME	S. Kiguchi	K. Matsumoto	 K. Enomoto	CABLE STAYED BRIDGE PYLON BAR ARRANGEMENT OF PYLON (11)	P2/CS/3200
				SIGNATURE	<i>S. Kiguchi</i>	<i>K. Matsumoto</i>			
				DATE	20/9/2000	29/9/2000			

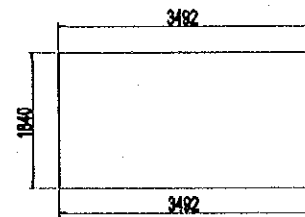
# BAR ARRANGEMENT OF PYLON (12) SCALE 1:100



(B1) 476-D22x6171

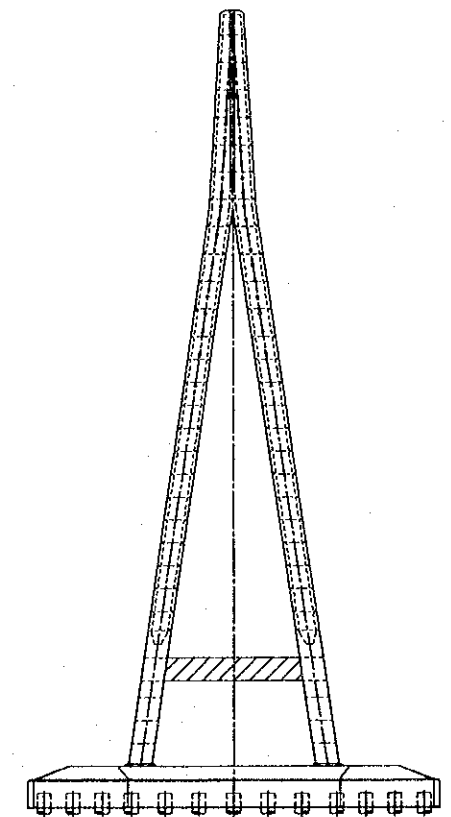
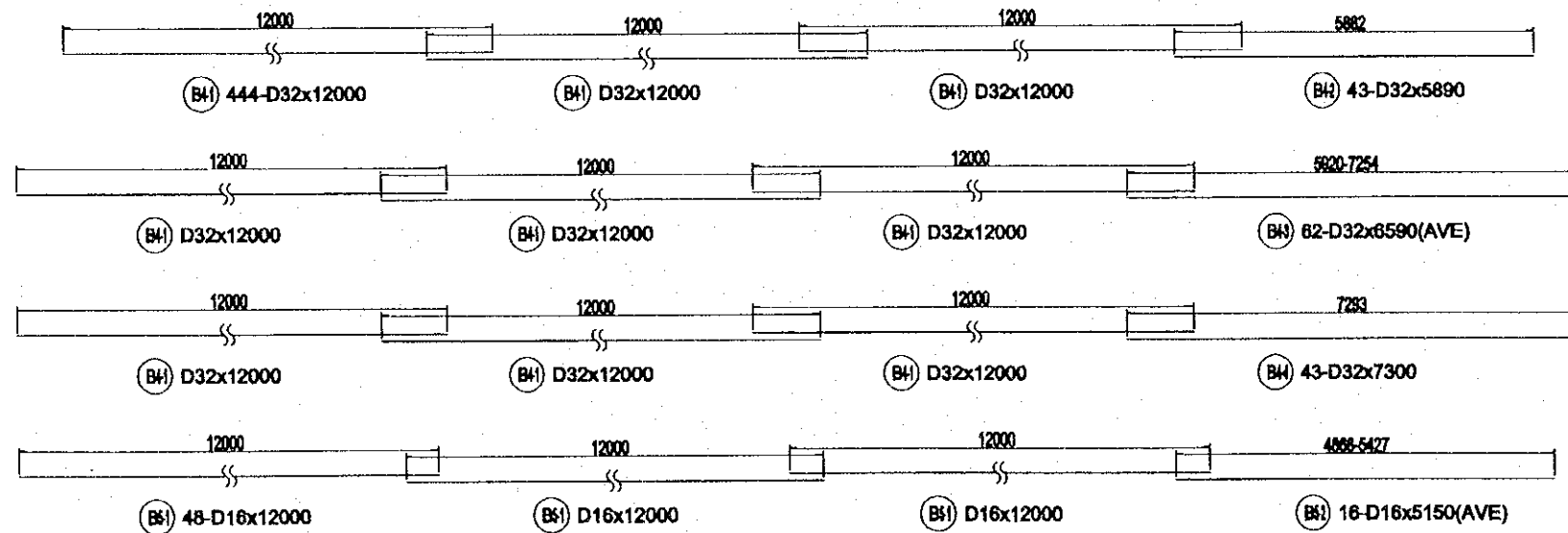


(B3) 952-D22x6250



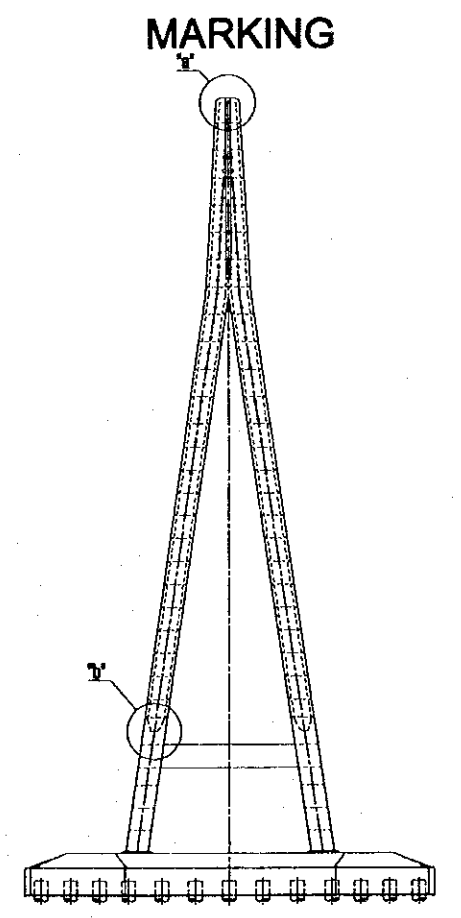
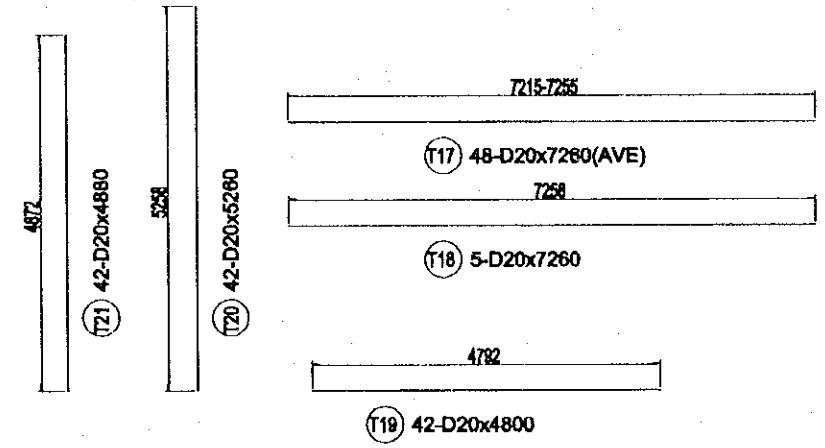
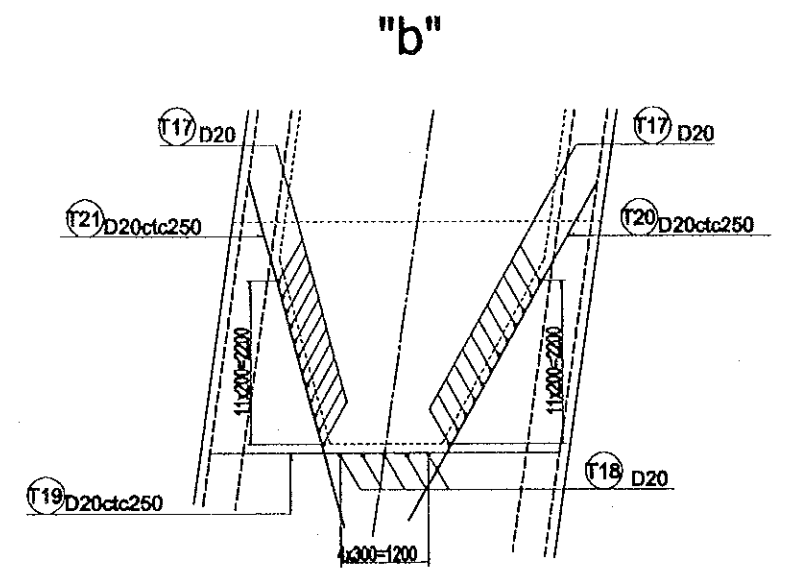
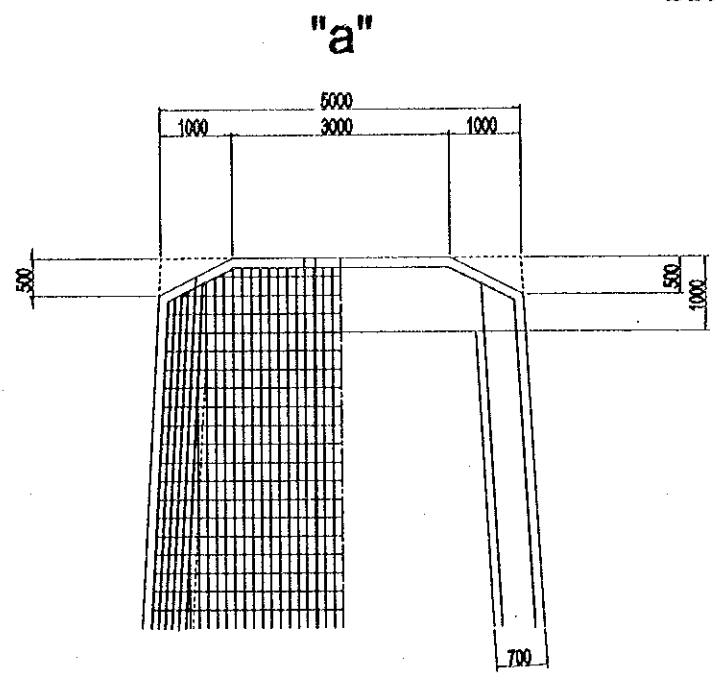
(B2) 238-D22x8770

## MARKING



PROJECT NAME	IMPLEMENTATION AGENCY	EXECUTING AGENCY	JICA STUDY TEAM	PREPARED BY	CHECKED BY	APPROVED BY	DRAWING TITLE	DWG NO.
DETAILED DESIGN OF THE CAN THO BRIDGE CONSTRUCTION PROJECT	JICA JAPAN INTERNATIONAL COOPERATION AGENCY (JICA)	SOCIALIST REPUBLIC OF VIET NAM MINISTRY OF TRANSPORT (MOT) MY THUAN PROJECT MANAGEMENT UNIT	(NK) NIPPON KORI CO., LTD.	NAME: S. Kiguchi SIGNATURE: <i>S. Kiguchi</i> DATE: 20/9/2000	NAME: K. Matsumoto SIGNATURE: <i>K. Matsumoto</i> DATE: 29/9/2000	NAME: K. Enomoto SIGNATURE: <i>K. Enomoto</i> DATE: 5/10/2000	CABLE STAYED BRIDGE PYLON BAR ARRANGEMENT OF PYLON (12)	P2/CS/3210

BAR ARRANGEMENT OF PYLON (13) SCALE 1:200



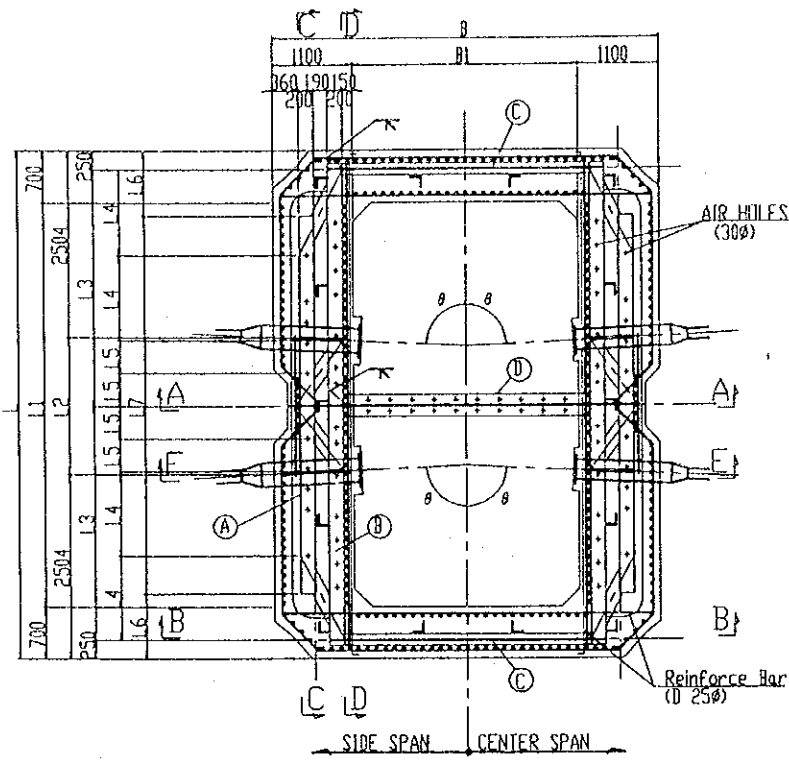
PROJECT NAME DETAILED DESIGN OF THE CAN THO BRIDGE CONSTRUCTION PROJECT	IMPLEMENTATION AGENCY JICA JAPAN INTERNATIONAL COOPERATION AGENCY (JICA)	EXECUTING AGENCY SOCIALIST REPUBLIC OF VIET NAM MINISTRY OF TRANSPORT (MOT) MY THUAN PROJECT MANAGEMENT UNIT	JICA STUDY TEAM NIPON KOEI CO.,LTD.	PREPARED BY	CHECKED BY	APPROVED BY	DRAWING TITLE CABLE STAYED BRIDGE PYLON BAR ARRANGEMENT OF PYLON (13)	DWG NO. P2/CS/3220	
				NAME	S. Kiguchi	K. Matsumoto			K. Enomoto
				SIGNATURE	<i>S. Kiguchi</i>	<i>K. Matsumoto</i>			<i>K. Enomoto</i>
				DATE	20/9/2000	29/9/2000	5/10/2000		





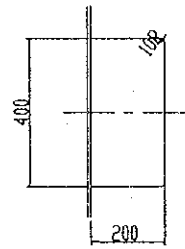
STRUCTURE STEEL OF PYLON (1) S=1:50

PLAN

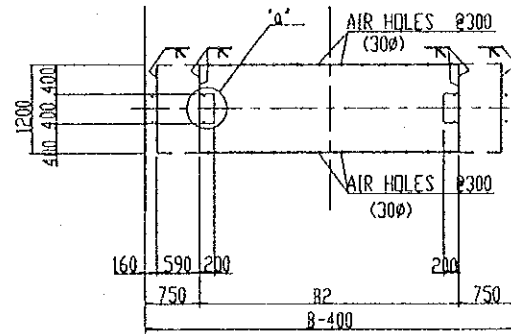


NO.1-NO.3

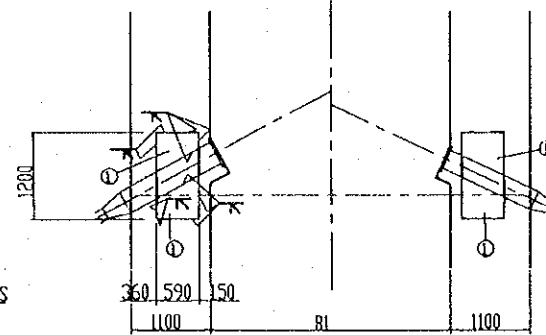
Detail of "a"  
S=1:10



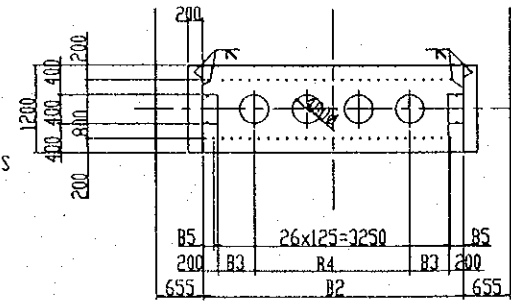
A - A



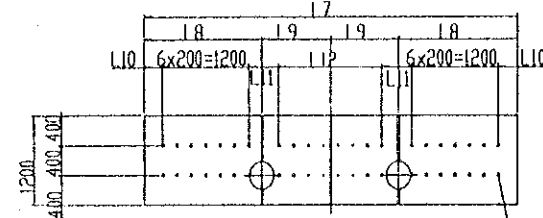
E - E



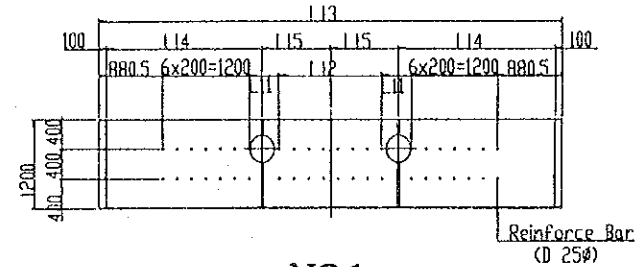
B - B



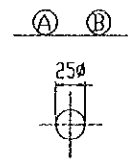
C - C



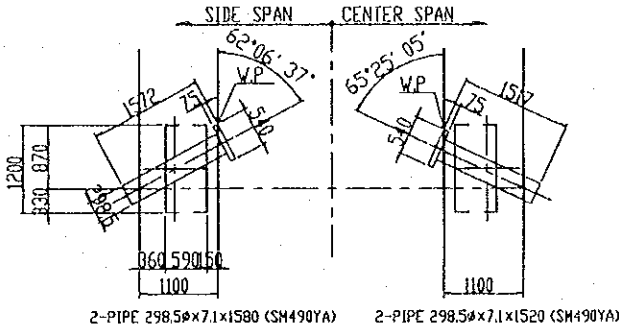
D - D



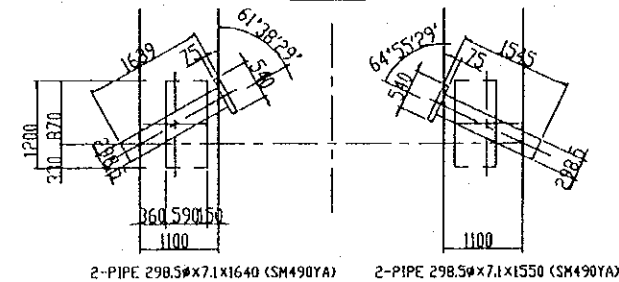
Detail of Hole"  
(For Reinforce Bar)  
S=1:10



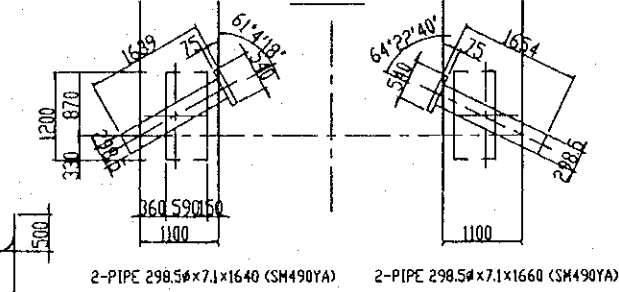
NO.1



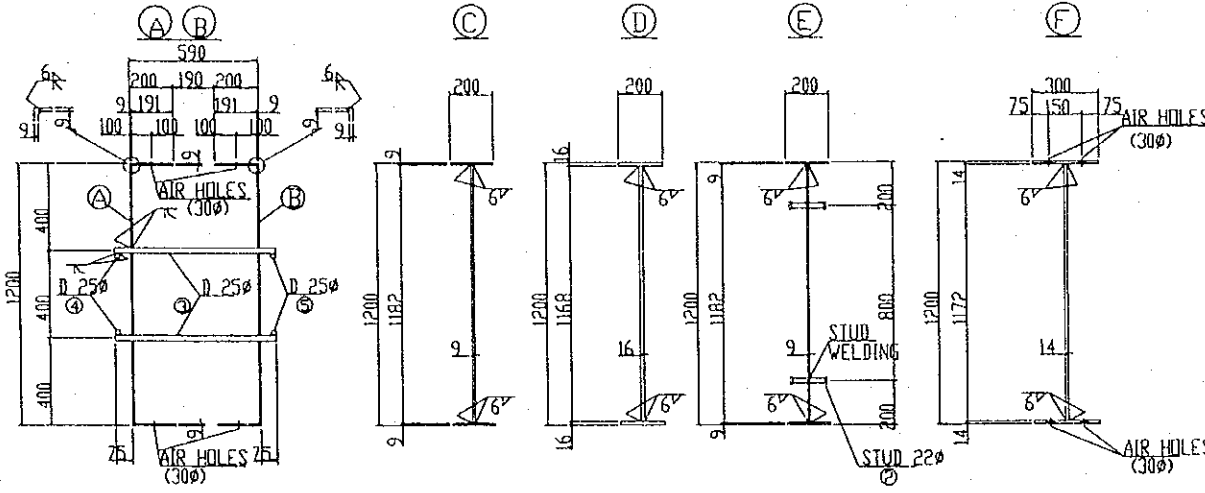
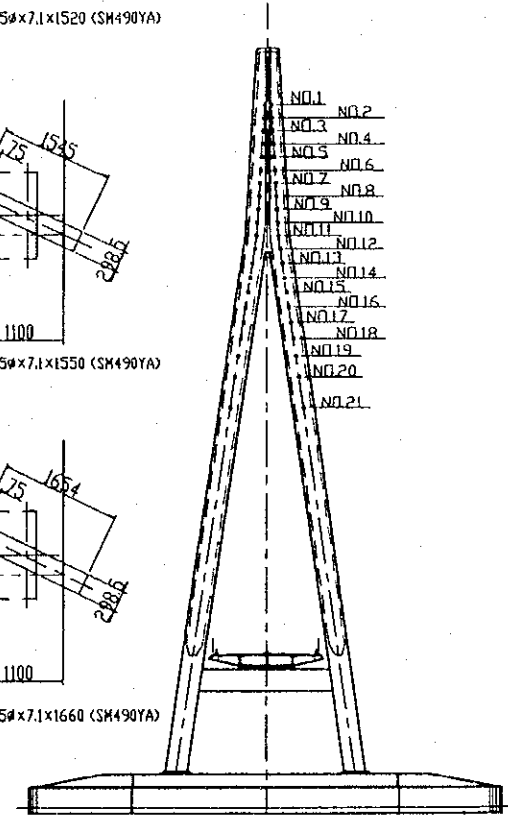
NO.2



NO.3



KEY ELEV.



- ① 8-DIA PL 732 x 30 x LL8(SM490YB)
- ② 224-STUD 22 #80(SS400)
- ③ NI-D25x 740(SS345)
- ④ 4-D25xLL9(SS345)
- ⑤ 4-D25xLL10(SS345)
- ⑥ 4-FLG PL 191 x 9 x LL1 (SM490YA)
- ⑦ 2-VEB PL 1200 x 9 x LL1 (SM490YA)
- ⑧ 4-FLG PL 191 x 9 x LL2 (SM490YA)
- ⑨ 2-VEB PL 1200 x 9 x LL2 (SM490YA)
- ⑩ 4-PL 191 x 9 x 1182 (SM490YA)
- ⑪ 8-FLG PL 200 x 9 x LL3 (SM490YA)
- ⑫ 4-VEB PL 1182 x 9 x LL4 (SM490YA)
- ⑬ 8-FLG PL 200 x 16 x LL5 (SM490YA)
- ⑭ 4-VEB PL 1182 x 16 x LL5 (SM490YA)
- ⑮ 4-FLG PL 200 x 9 x LL7 (SM490YA)
- ⑯ 2-VEB PL 1182 x 9 x LL7 (SM490YA)
- ⑰ 2-FLG PL 300 x 14 x LL7 (SM490YA)
- ⑱ 1-VEB PL 1172 x 14 x LL7 (SM490YA)

	l	l1	l2	l3	l4	l5	l6	l7	l8	l9	l10	l11	l12	l13	l14	l15	l16	l17	
NO.1	87'29'51"	6512	5112	1504	2906.0	1096.1	356.9	876.0	4760	1633.5	746.5	254.5	425.5	5x200= 1000	6012	2192.2	713.8	5612	6412
NO.2	87'24'57"	6861	5461	1853	3080.5	1096.7	443.5	875.5	5110	1634.1	920.9	255.0	400.0	7x200= 1400	6361	2193.5	887.0	5961	6761
NO.3	87'13'32"	7209	5809	2201	3254.5	1098.2	529.0	874.5	5460	1635.6	1094.4	256.0	474.0	8x200= 1600	6709	2196.4	1058.1	6309	7109

	B	B1	B2	B3	B4	B5
No.1	5236	3036	3336	387.2	3x720.5=2161.6	43.0
No.2	5290	3090	3390	398.0	3x731.3=2194.0	70.0
No.3	5345	3145	3445	409.0	3x742.3=2227.0	97.5

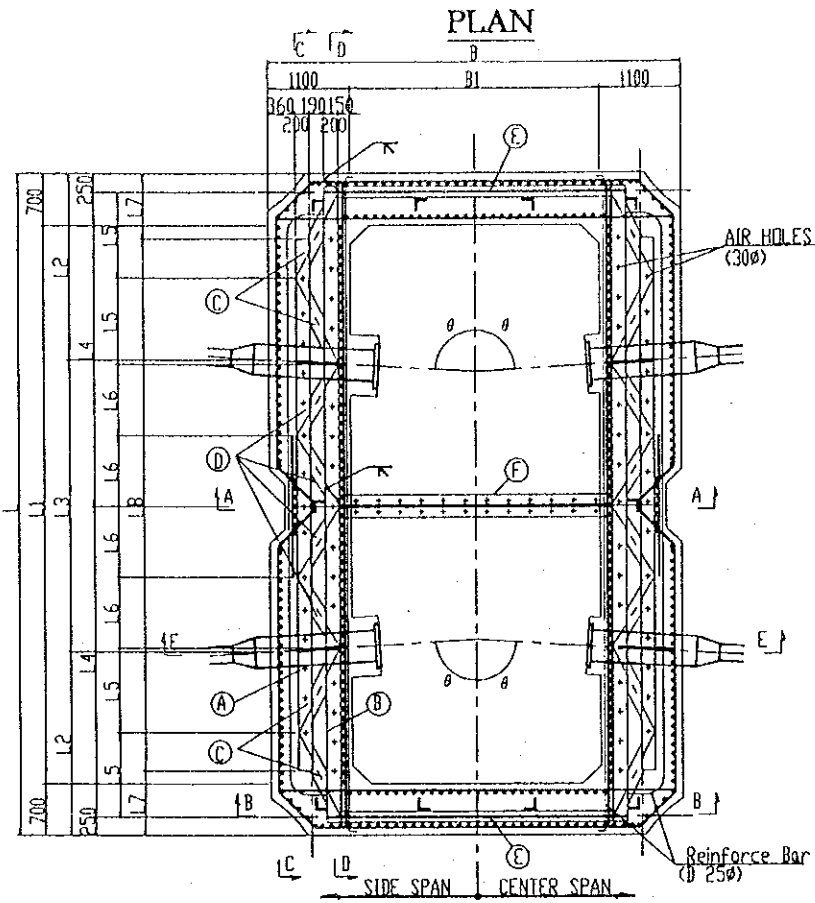
	LL1	LL2	LL3	LL4	LL5	LL6	LL7	LL8	LL9	LL10	NI
No.1	4760	6012	416	1252	321	968	3336	438	6400	6610	80
No.2	5110	6361	416	1252	321	968	3390	430	6750	6960	88
No.3	5460	6709	416	1252	321	968	3445	430	7090	7310	92

PROJECT NAME	IMPLEMENTATION AGENCY	EXECUTING AGENCY	JICA STUDY TEAM	PREPARED BY	CHECKED BY	APPROVED BY	DRAWING TITLE	DWG NO.
DETAILED DESIGN OF THE CAN THO BRIDGE CONSTRUCTION PROJECT	JICA JAPAN INTERNATIONAL COOPERATION AGENCY (JICA)	SOCIALIST REPUBLIC OF VIET NAM MINISTRY OF TRANSPORT (MOT) MY THUAN PROJECT MANAGEMENT UNIT	(NKK) NIPPON KOEI CO.,LTD.	S. Kiguchi	K. Matsumoto	K. Enomoto	CABLE STAYED BRIDGE PYLON STRUCTURE STEEL OF PYLON (1)	P2/CS/3240
				SIGNATURE: S. Kiguchi	SIGNATURE: K. Matsumoto	SIGNATURE: K. Enomoto		
				DATE: 20/9/2000	DATE: 29/9/2000	DATE: 5/10/2000		

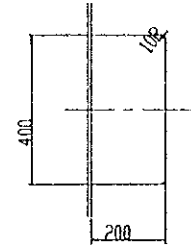
# STRUCTRE STEEL OF PYLON (2)

NO.4-NO.12(1/2)

S=1:50

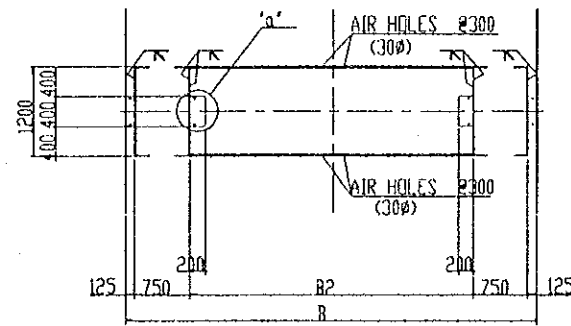


Detail of "a" (S=1:10)

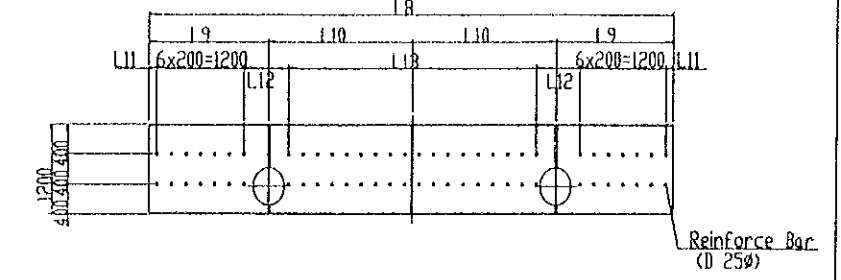


- Ⓐ 4-FLG PL 181 x 9 x LL1 (SM490YA)
- Ⓑ 2-VEB PL 1200 x 9 x LL1 (SM490YA)
- Ⓒ 4-FLG PL 186 x 9 x LL2 (SM490YA)
- Ⓓ 2-VEB PL 1200 x 9 x LL2 (SM490YA)
- Ⓔ 4-PL 186 x 9 x LL2 (SM490YA)
- Ⓚ 16-FLG PL 200 x 9 x LL3 (SM490YA)
- Ⓛ 8-VEB PL 1182 x 9 x LL4 (SM490YA)
- Ⓜ 16-FLG PL 200 x 16 x LL5 (SM490YA)
- Ⓨ 8-VEB PL 1168 x 16 x LL (SM490YA)
- ⓐ 4-FLG PL 200 x 9 x LL7 (SM490YA)
- ⓑ 2-VEB PL 1182 x 9 x LL7 (SM490YA)
- ⓓ 2-FLG PL 300 x 14 x LL7 (SM490YA)
- ⓔ 1-VEB PL 1172 x 14 x LL7 (SM490YA)
- ⓕ 8-DIA PL 557 x 30 x LL8 (SM490YB)
- ⓖ N1-STUD 22 #80SS400
- ⓗ N2-D25x 740(SD345)
- ⓓ 4-D25xLL9(SD345)
- ⓔ 4-D25xLL10(SD345)

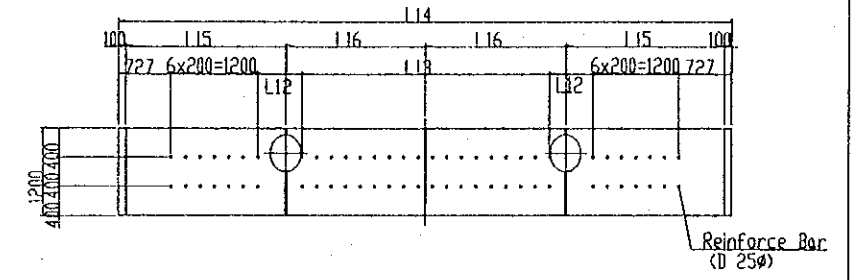
A - A



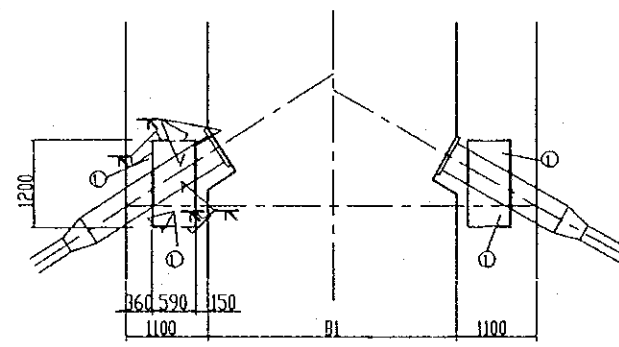
C - C



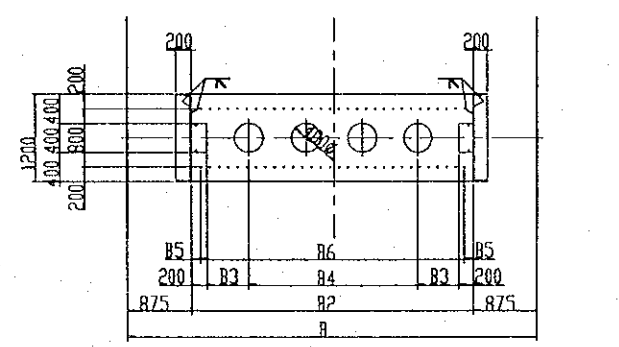
D - D



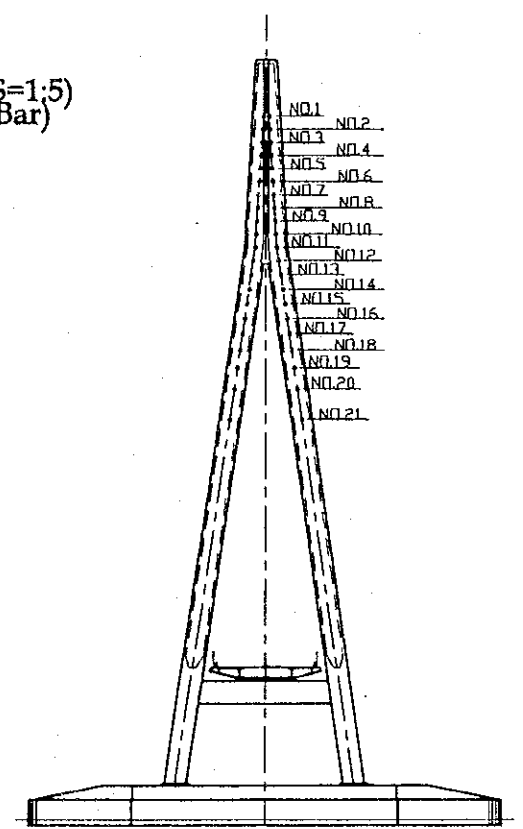
E - E



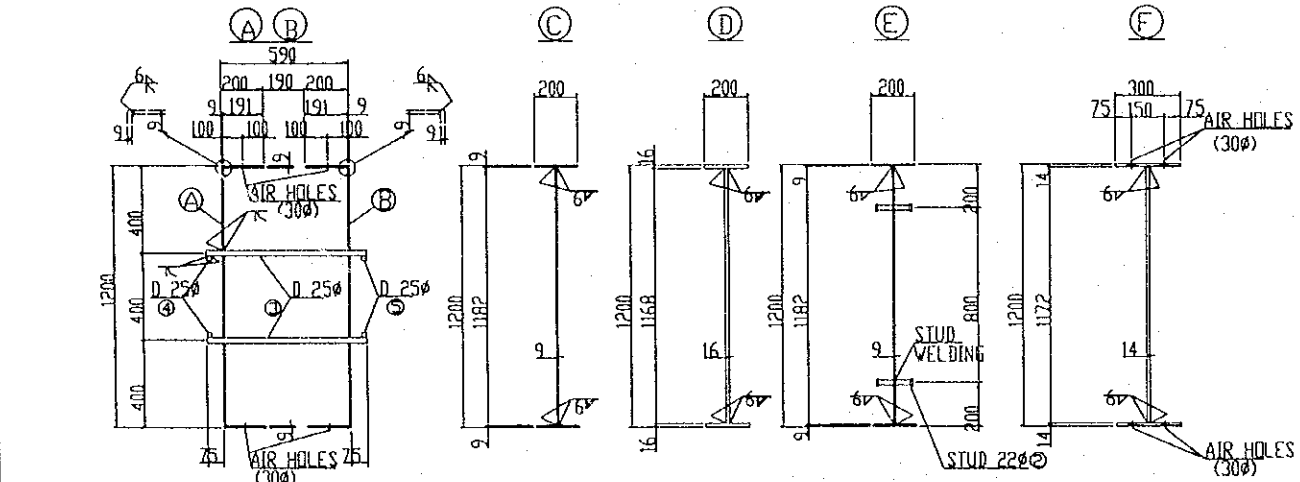
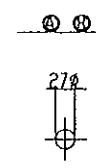
B - B



KEY ELEV.



Detail of Hole" (S=1:5)  
(For Reinforce Bar)



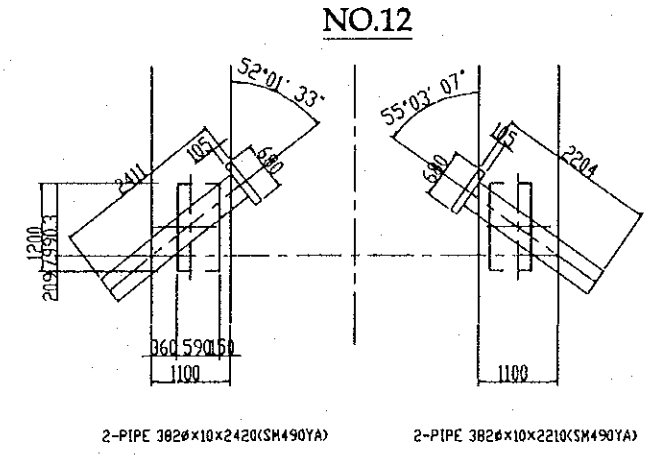
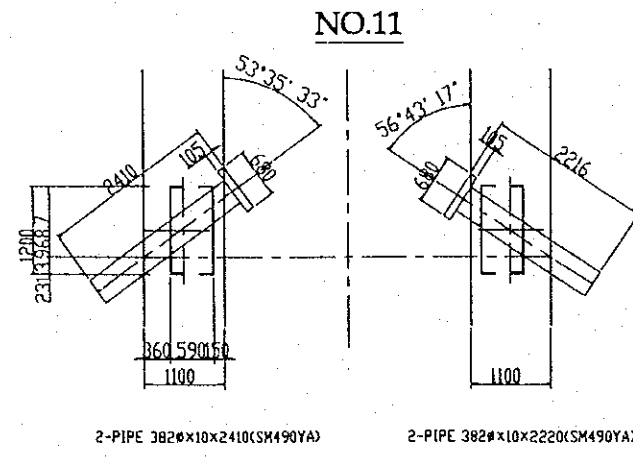
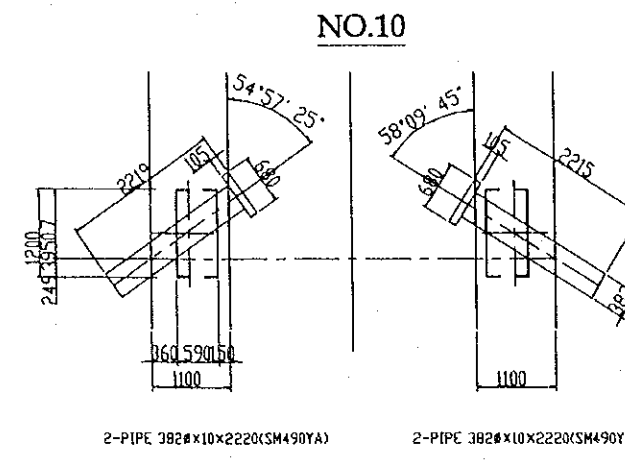
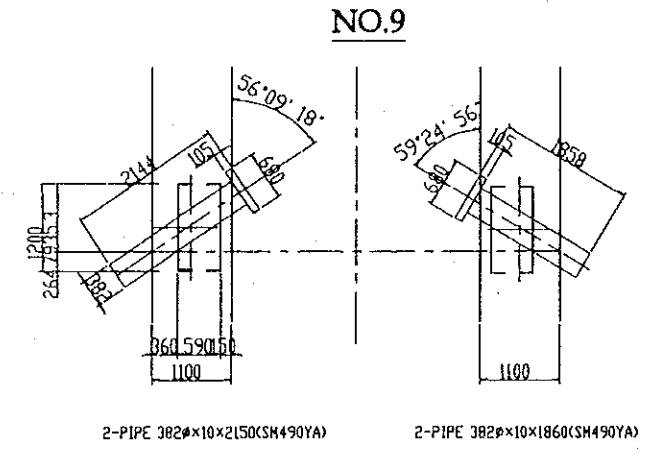
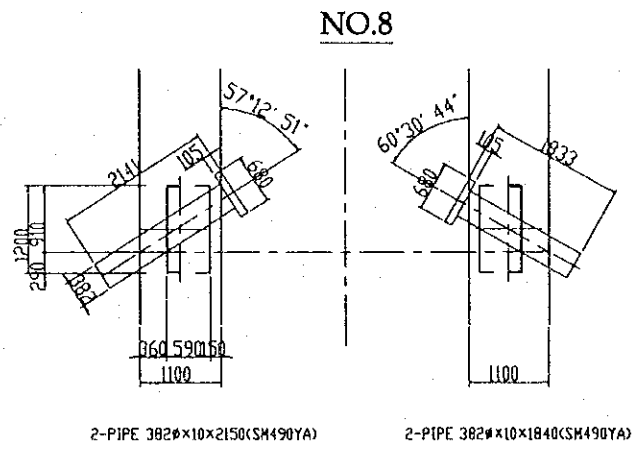
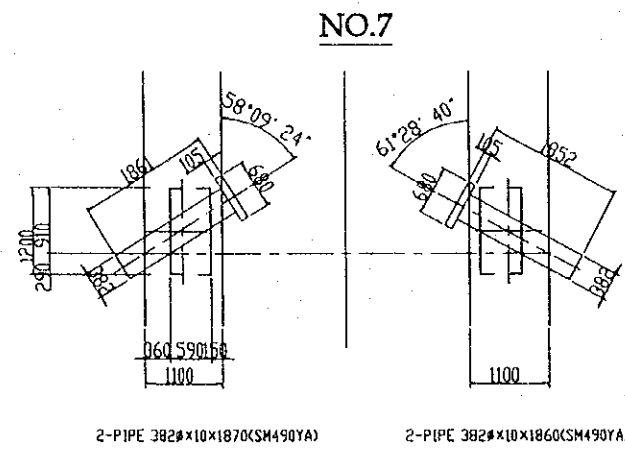
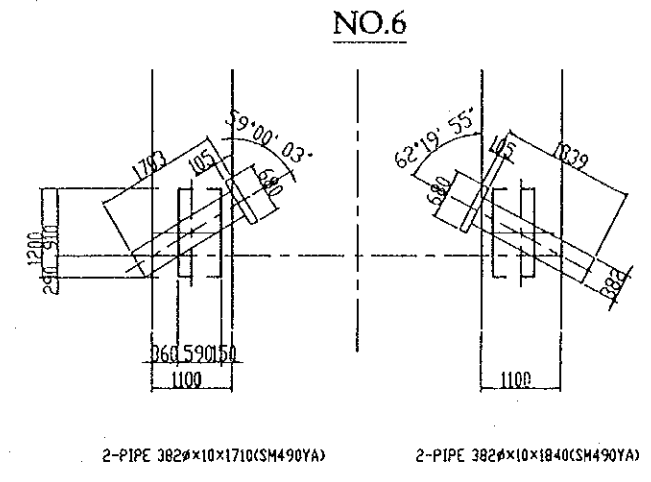
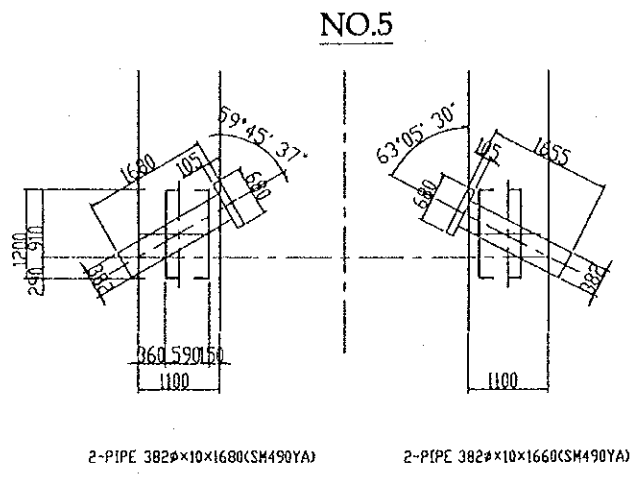
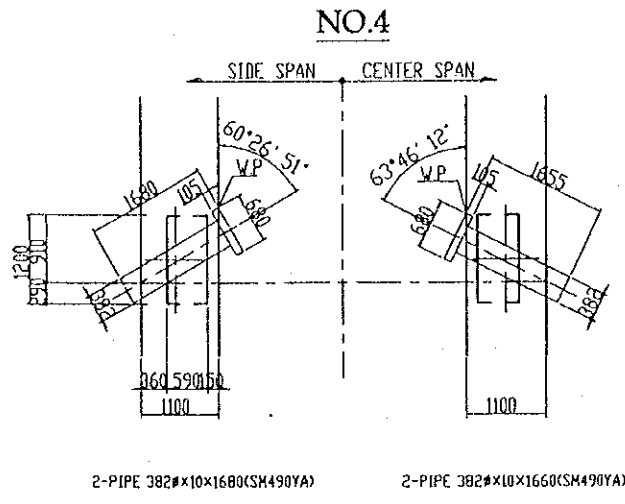
No.	L	L1	L2	L3	L4	L5	L6	L7	L8	L9	L10	L11	L12	L13	L14	L15	L16	L17	L18	
NO.4	87'13'32"	7558	6158	2504	2550	3429.0	098.2	616.3	879.0	5800	1631.1	1268.9	98.0	602.0	10x200=2000	7058	2196.4	232.6	6658	7458
NO.5	87'06'50"	7907	6507	2504	2899	3603.5	099.0	702.7	878.5	6150	1631.8	1443.2	98.5	676.5	11x200=2200	7407	2198.1	405.4	7007	7807
NO.6	86'59'19"	8256	6856	2504	3248	3778.0	100.0	789.0	878.0	6500	1632.6	1617.4	99.0	651.0	13x200=2600	7756	2200.0	578.0	7356	8156
NO.7	86'50'51"	8605	7205	2504	3597	3952.5	101.1	875.1	877.5	6850	1633.4	1791.6	99.5	625.5	15x200=3000	8105	2202.2	750.3	7705	8505
NO.8	86'41'11"	8954	7554	2504	3746	4127.0	102.3	961.1	877.0	7200	1634.2	1965.8	100.0	600.0	17x200=3400	8454	2204.7	922.3	8054	8854
NO.9	86'30'05"	9302	7902	2504	4294	4301.0	103.7	1046.7	880.0	7542	1631.6	2139.4	97.0	674.0	18x200=3600	8802	2207.5	2093.5	8402	9202
NO.10	86'17'13"	9651	8251	2504	4643	4475.5	105.4	1132.3	879.5	7892	1632.6	2313.4	97.5	648.5	20x200=4000	9151	2210.8	2264.7	8751	9551
NO.11	86'02'06"	10000	8600	2504	4992	4650.0	107.3	1217.7	880.0	8240	1632.7	2497.3	97.0	623.0	22x200=4400	9500	2214.6	2435.4	9100	9900
NO.12	85'50'48"	10889	9489	2527	5835	5094.5	120.2	1427.0	879.5	9130	1656.6	2998.4	97.5	667.5	26x200=5200	10389	2240.5	2854.0	9989	10789

No.	B	B1	B2	B3	B4	B5	B6	LL1	LL2	LL3	LL4	LL5	LL6	LL7	LL8	LL9	LL10	N1	N2	
No.4	5399	3199	3499	3198	3x686.5=2059.4	124.5	27x125=3375	No.4	5800	7058	427	1288	767	1126	3499	387	2020	6860	224	100
No.5	5454	3254	3554	3308	3x697.5=2092.4	89.5	27x125=3375	No.5	6150	7407	427	1288	767	1126	3554	386	2190	7210	232	104
No.6	5508	3308	3608	3416	3x708.3=2124.8	116.5	27x125=3375	No.6	6500	7756	427	1288	767	1126	3608	385	2360	7560	240	112
No.7	5563	3363	3663	3526	3x719.3=2157.8	81.5	28x125=3500	No.7	6850	8105	427	1288	767	1126	3663	375	2540	7910	240	120
No.8	5617	3417	3717	3634	3x730.1=2190.2	108.5	28x125=3500	No.8	7200	8454	427	1288	767	1126	3717	381	2710	8250	240	128
No.9	5672	3472	3772	3744	3x741.1=2223.2	73.5	29x125=3625	No.9	7542	8802	427	1288	767	1126	3772	378	2880	8600	248	132
No.10	5726	3526	3826	3852	3x751.9=2255.6	100.5	29x125=3625	No.10	7892	9151	427	1288	767	1126	3826	376	3050	8950	248	140
No.11	5780	3580	3880	3960	3x762.7=2288.0	65.0	30x125=3750	No.11	8240	9500	427	1288	767	1126	3880	375	3220	9300	256	148
No.12	5835	3635	3935	4070	3x773.7=2321.0	92.5	30x125=3750	No.12	9130	10389	427	1288	767	1126	3935	367	3640	10190	256	160

PROJECT NAME	IMPLEMENTATION AGENCY	EXECUTING AGENCY	JICA STUDY TEAM	PREPARED BY	CHECKED BY	APPROVED BY	DRAWING TITLE	DWG NO.
DETAILED DESIGN OF THE CAN THO BRIDGE CONSTRUCTION PROJECT	JICA JAPAN INTERNATIONAL COOPERATION AGENCY (JICA)	SOCIALIST REPUBLIC OF VIET NAM MINISTRY OF TRANSPORT ( MOT ) MY THUAN PROJECT MANAGEMENT UNIT	NIPPON KOEI CO.,LTD.	S. Kiguchi	K. Matsumoto	K. Enomoto	CABLE STAYED BRIDGE PYLON STRUCTRE STEEL OF PYLON (2)	P2/CS/3250

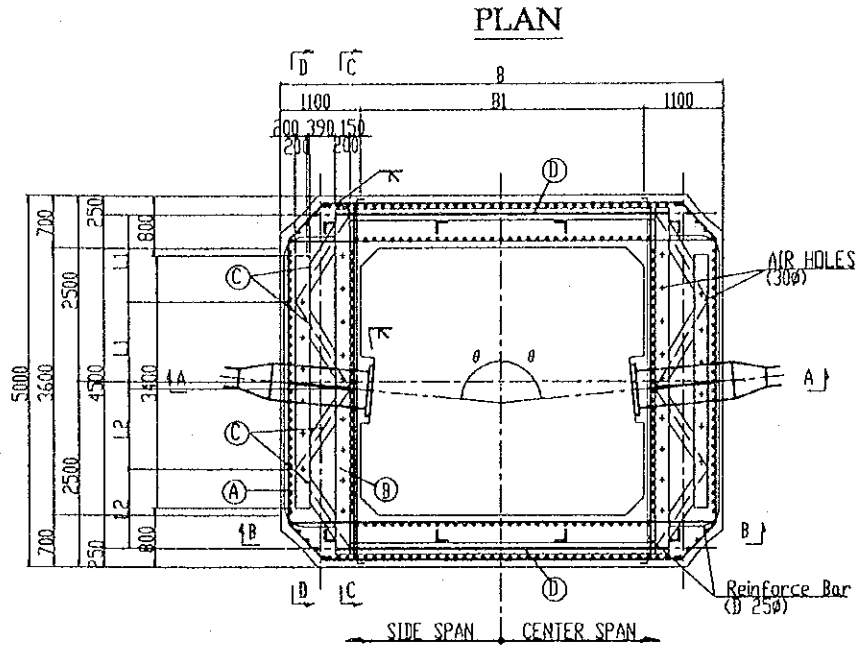
# STRUCTRE STEEL OF PYLON (3)

NO.4-NO.12(2/2) S=1:50

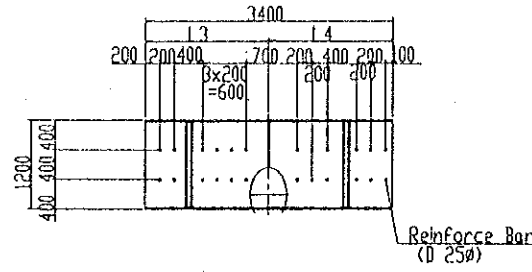


PROJECT NAME	IMPLEMENTATION AGENCY	EXECUTING AGENCY	JICA STUDY TEAM	PREPARED BY	CHECKED BY	APPROVED BY	DRAWING TITLE	DWG NO.
DETAILED DESIGN OF THE CAN THO BRIDGE CONSTRUCTION PROJECT	JAPAN INTERNATIONAL COOPERATION AGENCY (JICA)	SOCIALIST REPUBLIC OF VIET NAM MINISTRY OF TRANSPORT (MOT) MY THUAN PROJECT MANAGEMENT UNIT	NIPPON KOEI CO.,LTD.	NAME	S. Kiguchi	K. Matsumoto	CABLE STAYED BRIDGE PYLON STRUCTRE STEEL OF PYLON (3)	P2/CS/3260
				SIGNATURE	<i>S. Kiguchi</i>	<i>K. Matsumoto</i>		
				DATE	20/9/2000	29/9/2000		
				APPROVED BY				

# STRUCTRE STEEL OF PYLON (4)

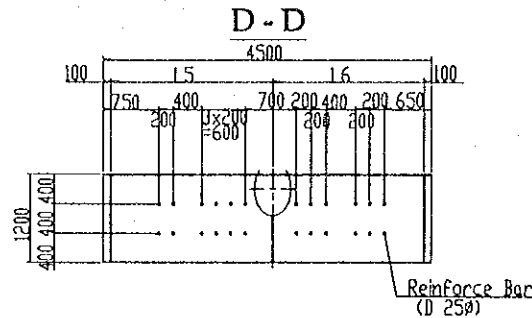
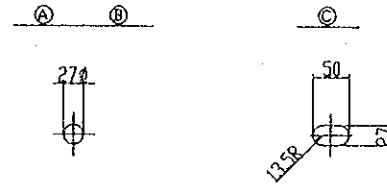


NO.12-NO.21(1/2) S=1:50  
C-C



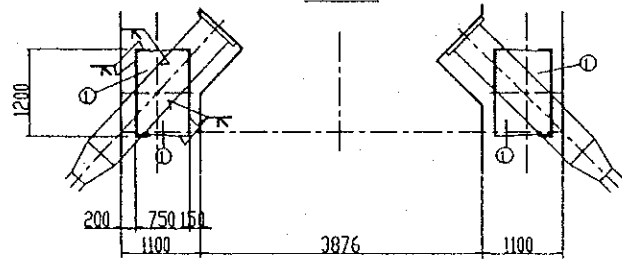
- Ⓐ 4-FLG PL 175x25x3400(SM490YB)
- 2-VEB PL 1200x25x3400(SM490YB)
- Ⓑ 4-FLG PL 188x12x4500(SM490YB)
- 2-VEB PL 1200x12x4500(SM490YB)
- 4-PL 188x 9x1760(SM490YA)
- Ⓒ 8-FLG PL 200x15x LL1(SM490YA)
- 4-VEB PL 1178x15x LL2(SM490YA)
- 8-FLG PL 200x15x LL3(SM490YA)
- 4-VEB PL 1178x15x LL4(SM490YA)
- Ⓓ 4-FLG PL 200x11x LL5(SM490YA)
- 2-VEB PL 1178x11x LL5(SM490YA)

Detail of Hole"(S=1.5)  
(For Reinforce Bar)

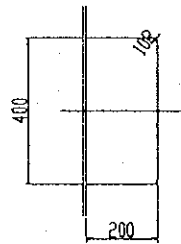


- ⓪ 4-DIA PL 700x30x LL6(SM490YB)
- ⓫ NI-STUD 22#x80(SS400)
- ⓬ 4B-D25x800(SD345)
- ⓭ 4-D25x489(SD345)
- ⓮ 4-D25x5100(SD345)

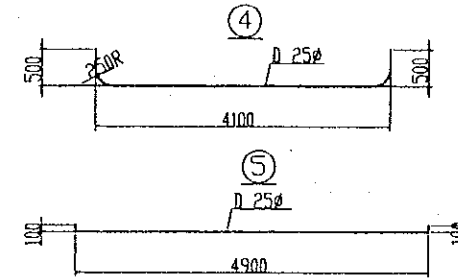
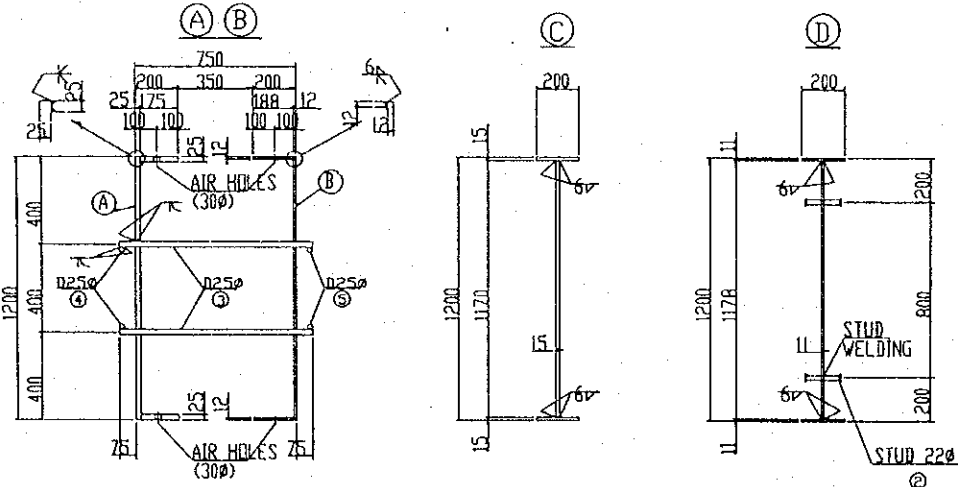
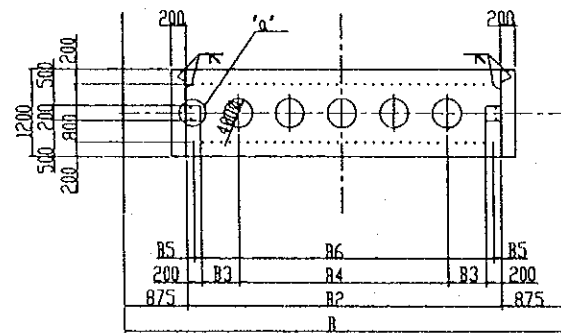
A-A



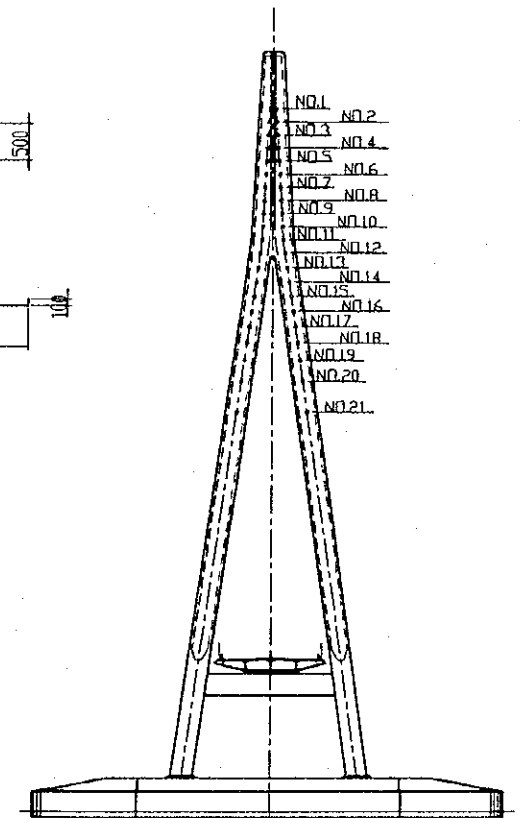
Detail of "a"(S=1:10)



B-B



KEY ELEV.



	B	B1	B2	B3	B4	B5	B6
No.13	5895	3695	3995	480.8	3x877.8=2633.4	60.0	31x125=3875
No.14	5955	3755	4055	490.8	3x891.1=2673.4	90.0	31x125=3875
No.15	6015	3815	4115	500.8	3x904.5=2713.4	120.0	31x125=3875
No.16	6076	3876	4176	521.0	3x911.3=2734.0	88.0	32x125=4000
No.17	6140	3940	4240	521.6	3x932.3=2796.8	120.0	32x125=4000
No.18	6207	4007	4307	532.8	3x947.1=2841.4	91.0	33x125=4125
No.19	6280	4080	4380	545.0	3x963.3=2890.0	127.5	33x125=4125
No.20	6367	4167	4467	559.5	3x982.7=2948.0	108.5	34x125=4250
No.21	6494	4294	4594	580.6	3x1010.9=3032.8	109.5	35x125=4375

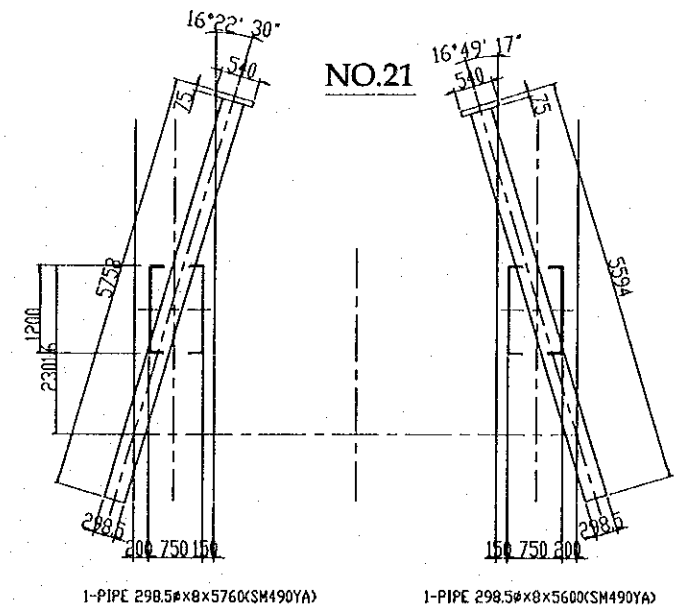
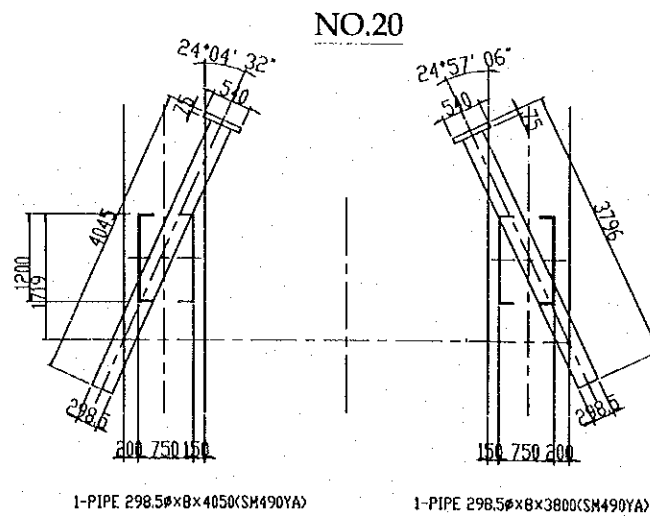
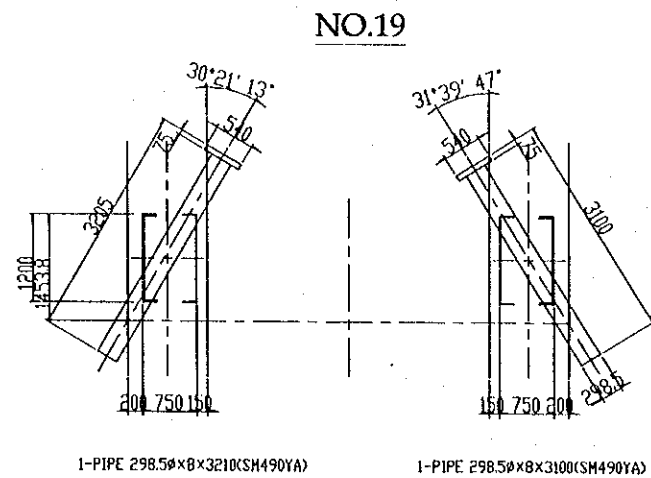
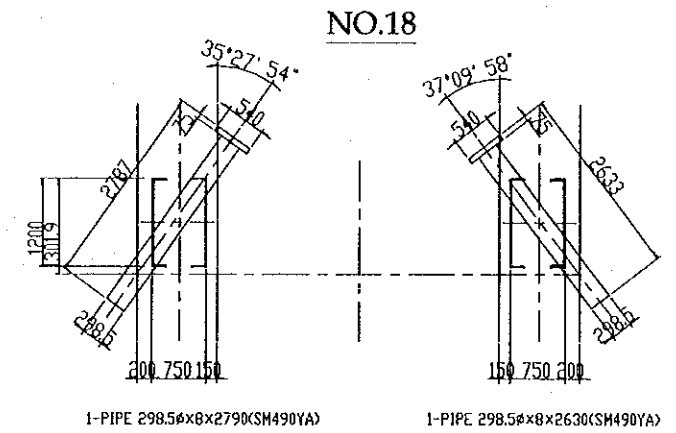
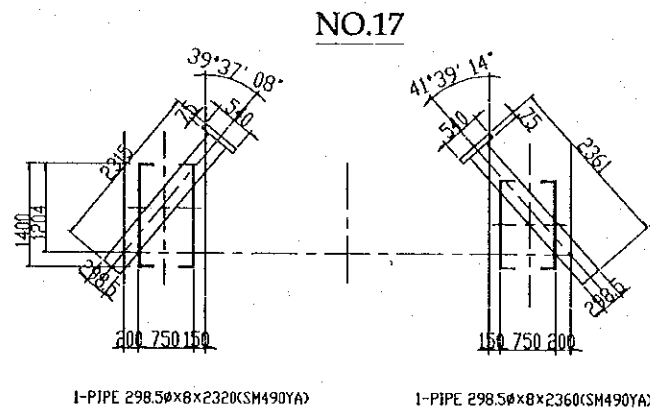
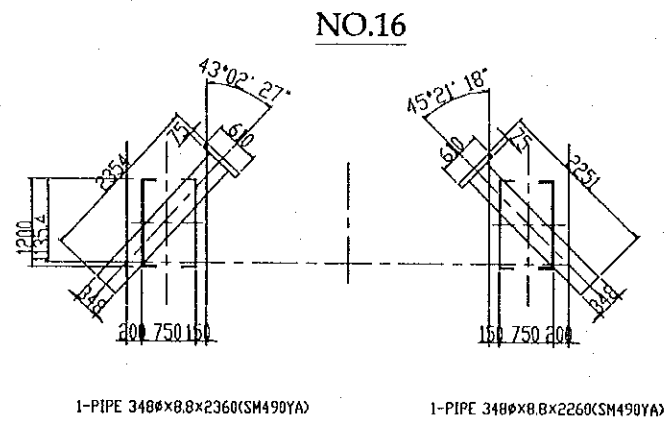
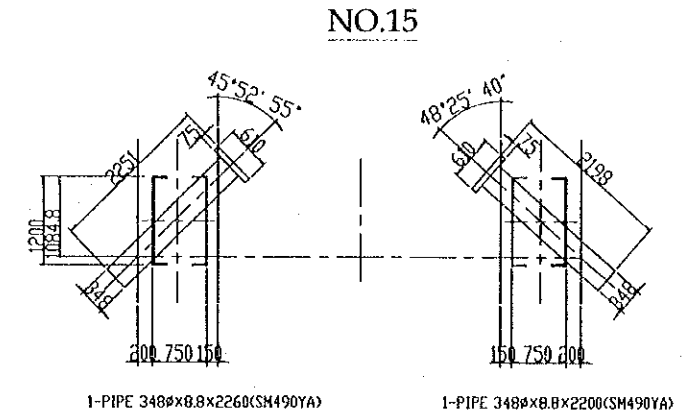
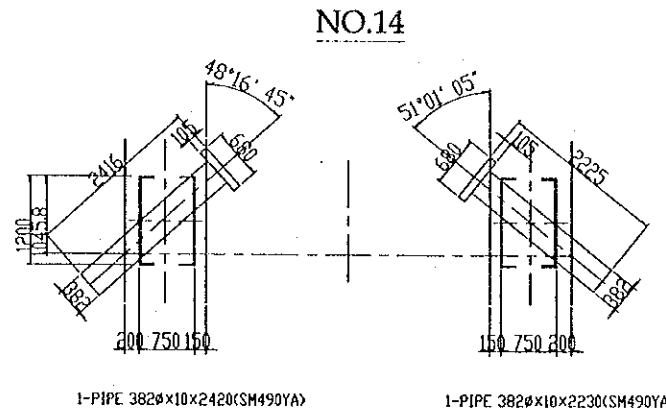
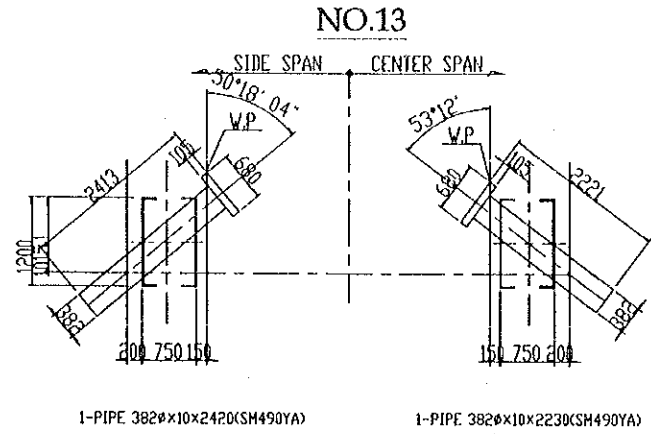
	θ	L1	L2	L3	L4	L5	L6
NO.13	85°39'08"	1108.3	1041.8	1709.5	1690.5	2216.5	2083.5
NO.14	85°24'43"	1110.1	1039.9	1710.0	1690.0	2220.2	2079.8
NO.15	85°06'24"	1112.5	1037.6	1710.7	1689.3	2224.9	2075.1
NO.16	84°43'02"	1115.5	1034.6	1711.6	1688.4	2230.9	2069.1
NO.17	84°11'50"	1119.5	1030.6	1712.7	1687.3	2238.9	2061.1
NO.18	83°28'26"	1125.1	1025.0	1714.3	1685.7	2250.1	2049.9
NO.19	82°23'23"	1133.5	1016.6	1716.7	1683.3	2266.9	2033.1
NO.20	80°38'29"	1147.1	1002.9	1720.6	1679.4	2294.2	2005.8
NO.21	77°30'10"	1172.0	978.1	1727.7	1672.3	2343.9	1956.1

	LL1	LL2	LL3	LL4	LL5	LL6	NI
No.13	614	1316	653	1384	3995	703	264
No.14	614	1316	653	1384	4055	722	264
No.15	614	1316	653	1384	4115	700	272
No.16	614	1316	653	1384	4176	802	272
No.17	614	1316	653	1384	4240	1083	280
No.18	614	1316	653	1384	4307	946	280
No.19	614	1316	653	1384	4380	1040	288
No.20	614	1316	653	1384	4467	1150	288
No.21	614	1316	653	1384	4594	1150	288

PROJECT NAME	IMPLEMENTATION AGENCY	EXECUTING AGENCY	JICA STUDY TEAM	PREPARED BY	CHECKED BY	APPROVED BY	DRAWING TITLE	DWG NO.
DETAILED DESIGN OF THE CAN THO BRIDGE CONSTRUCTION PROJECT	JICA JAPAN INTERNATIONAL COOPERATION AGENCY (JICA)	SOCIALIST REPUBLIC OF VIET NAM MINISTRY OF TRANSPORT (MOT) MY THUAN PROJECT MANAGEMENT UNIT	(NK) NIPPON KOEI CO., LTD.	NAME S. Kiguchi SIGNATURE DATE 20/9/2000	NAME K. Matsumoto SIGNATURE DATE 29/9/2000	NAME K. Enomoto SIGNATURE DATE 5/10/2000	CABLE STAYED BRIDGE PYLON STRUCTRE STEEL OF PYLON (4)	P2/CS/3270

# STRUCTRE STEEL OF PYLON (5)

NO.13-NO.21(2/2) S=1:50



PROJECT NAME DETAILED DESIGN OF THE CAN THO BRIDGE CONSTRUCTION PROJECT	IMPLEMENTATION AGENCY <b>JICA</b> JAPAN INTERNATIONAL COOPERATION AGENCY (JICA)	EXECUTING AGENCY SOCIALIST REPUBLIC OF VIET NAM MINISTRY OF TRANSPORT (MOT) MY THUAN PROJECT MANAGEMENT UNIT	JICA STUDY TEAM NIPPON KOEI CO.,LTD.	PREPARED BY	CHECKED BY	APPROVED BY	DRAWING TITLE CABLE STAYED BRIDGE PYLON STRUCTRE STEEL OF PYLON (5)	DWG NO. P2/CS/3280	
				NAME	S. Kiguchi	K. Matsumoto			K. Enomoto
				SIGNATURE	<i>S. Kiguchi</i>	<i>K. Matsumoto</i>			<i>K. Enomoto</i>
				DATE	20/9/2000	29/9/2000			5/10/2000