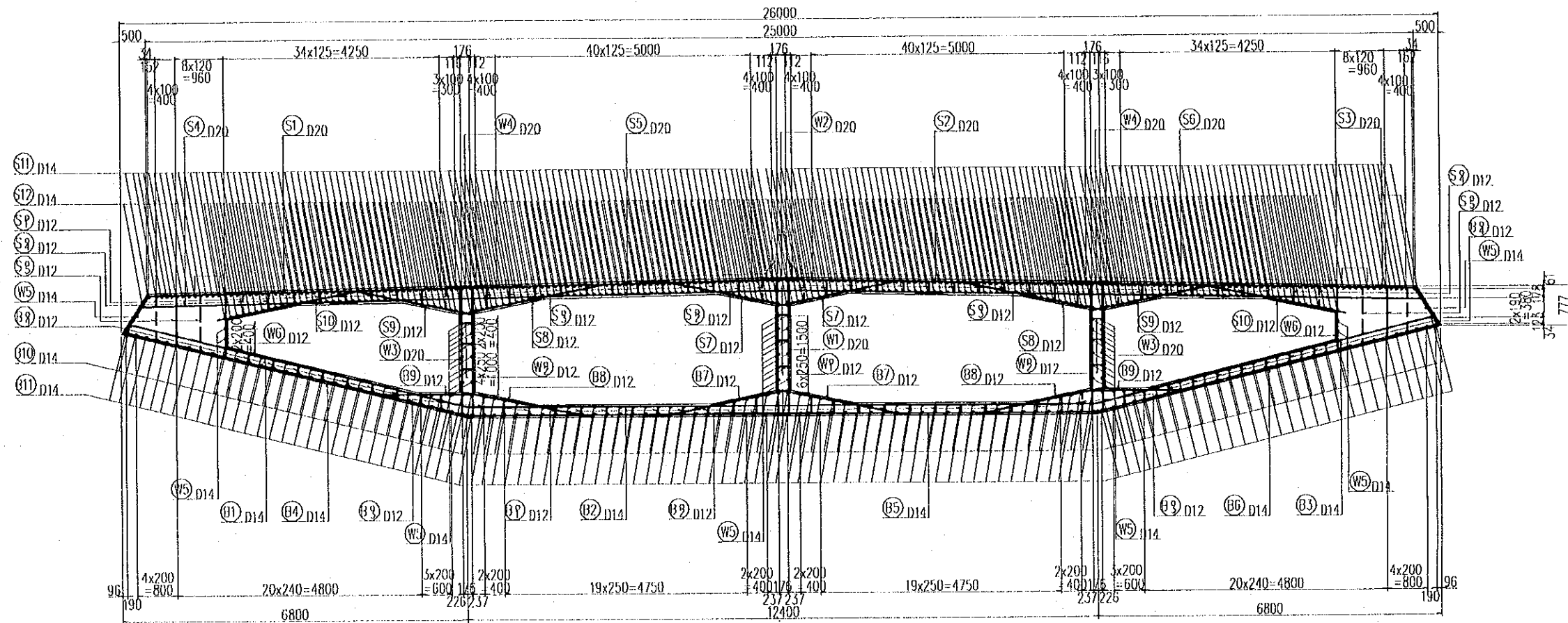
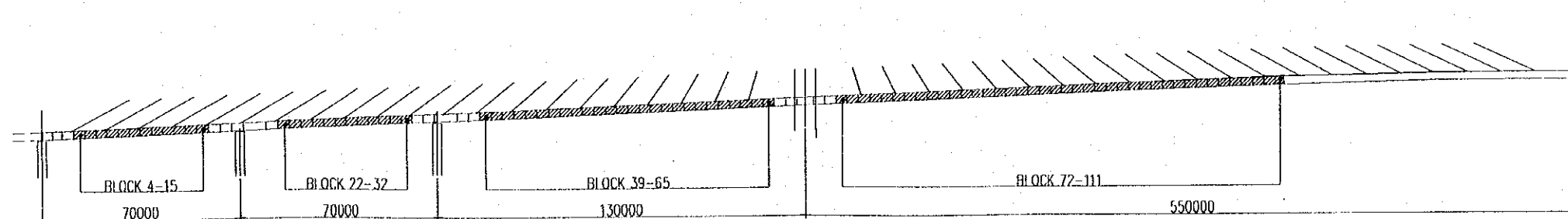


BAR ARRANGEMENT OF SEGMENT SCALE 1:100

TYPE-4 (1)



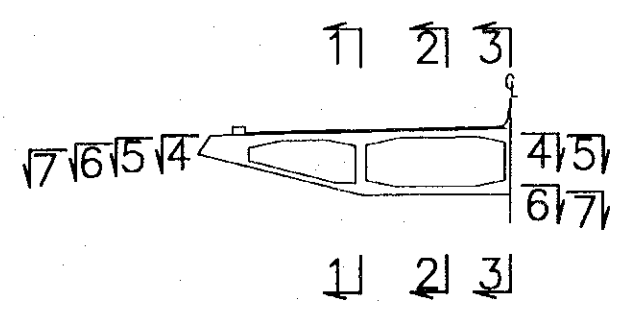
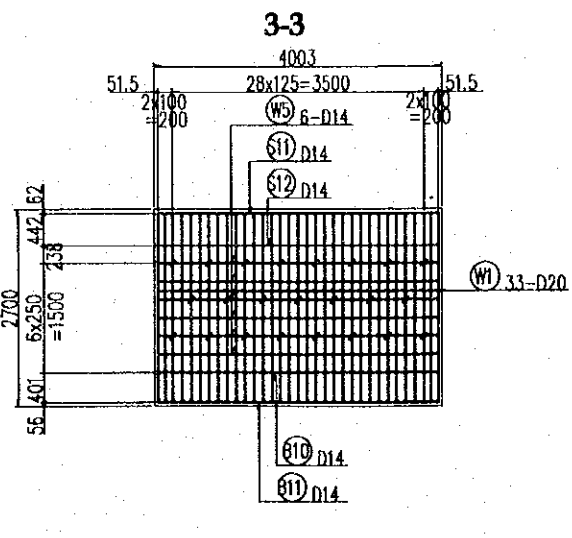
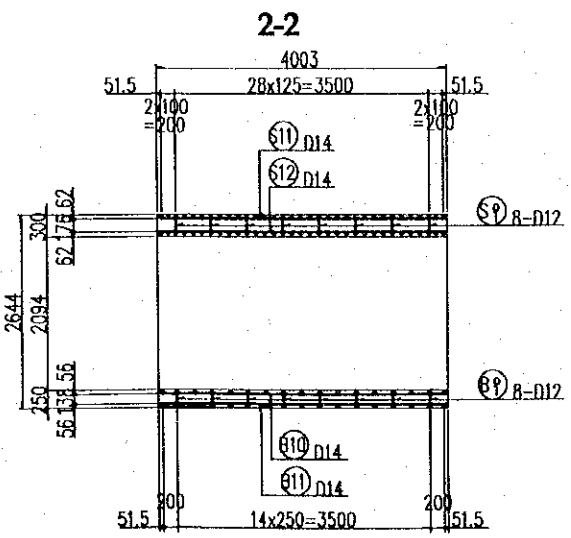
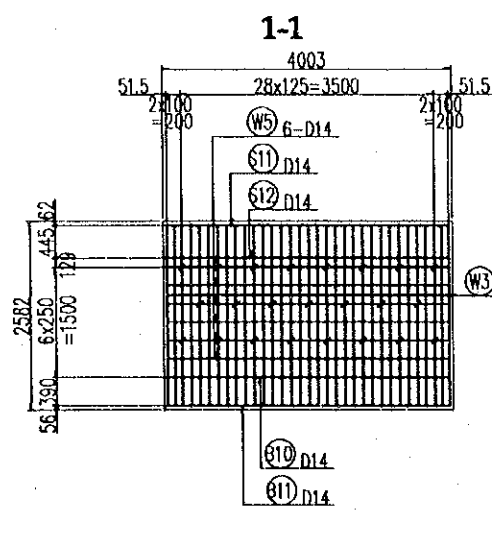
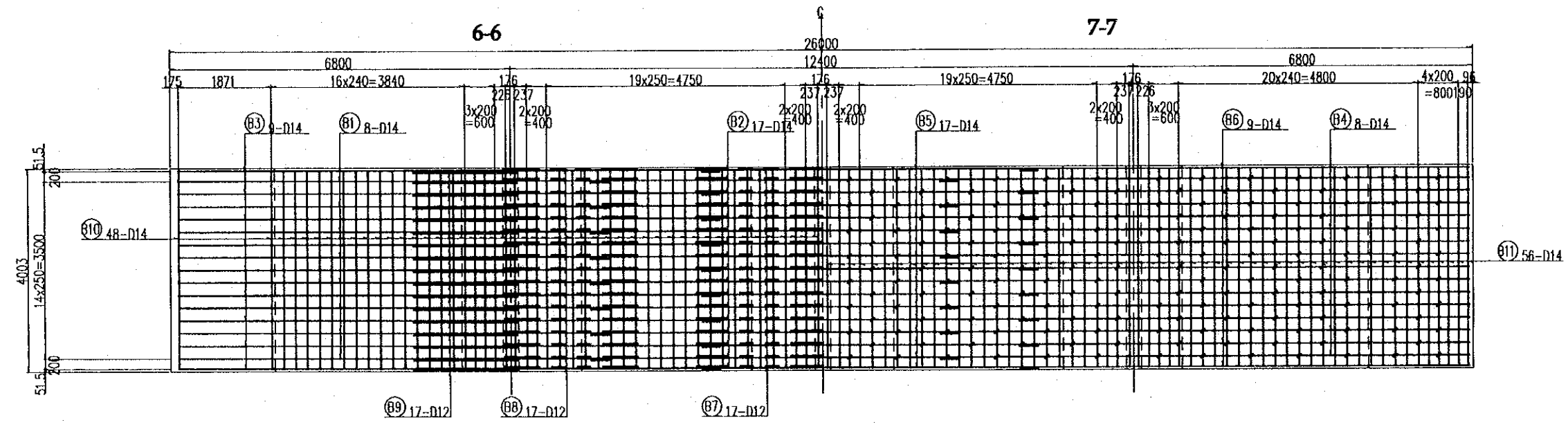
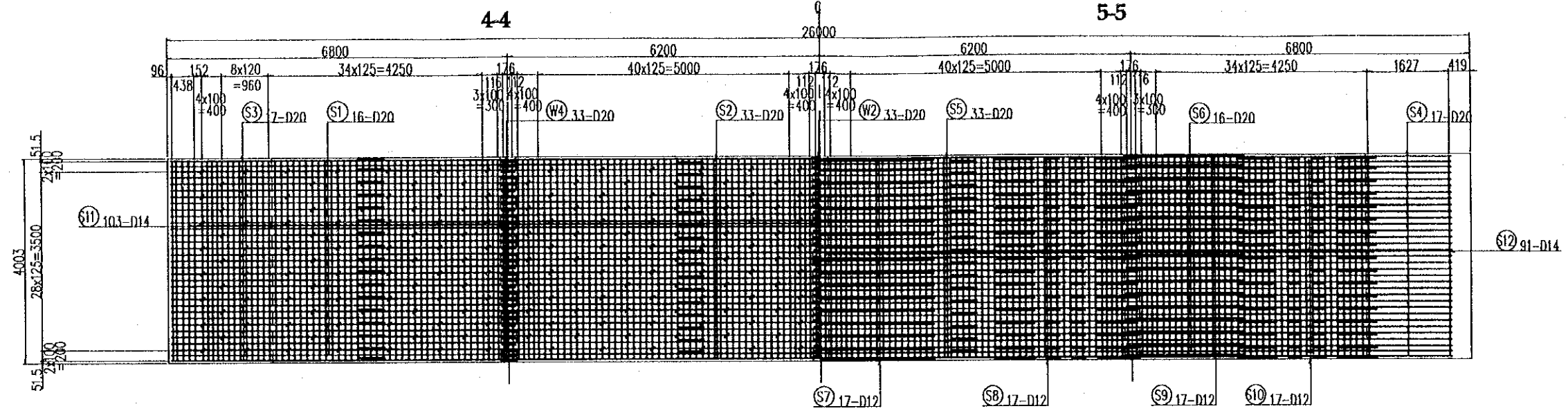
MARK



PROJECT NAME	IMPLEMENTATION AGENCY	EXECUTING AGENCY	JICA STUDY TEAM	PREPARED BY	CHECKED BY	APPROVED BY	DRAWING TITLE	DWG NO.
DETAILED DESIGN OF THE CAN THO BRIDGE CONSTRUCTION PROJECT	JICA JAPAN INTERNATIONAL COOPERATION AGENCY (JICA)	SOCIALIST REPUBLIC OF VIET NAM MINISTRY OF TRANSPORT (MOT) MY THUAN PROJECT MANAGEMENT UNIT	NIPPON KOEI CO.,LTD.	NAME: S. Kiguchi SIGNATURE: <i>S. Kiguchi</i> DATE: 20/9/2000	NAME: K. Matsumoto SIGNATURE: <i>K. Matsumoto</i> DATE: 29/9/2000	NAME: K. Enomoto SIGNATURE: <i>K. Enomoto</i> DATE: 5/10/2000	CABLE STAYED BRIDGE SUPER STRUCTURE BAR ARRANGEMENT OF SEGMENT TYPE-4 (1)	P2/CS/0400

BAR ARRANGEMENT OF SEGMENT SCALE 1:100

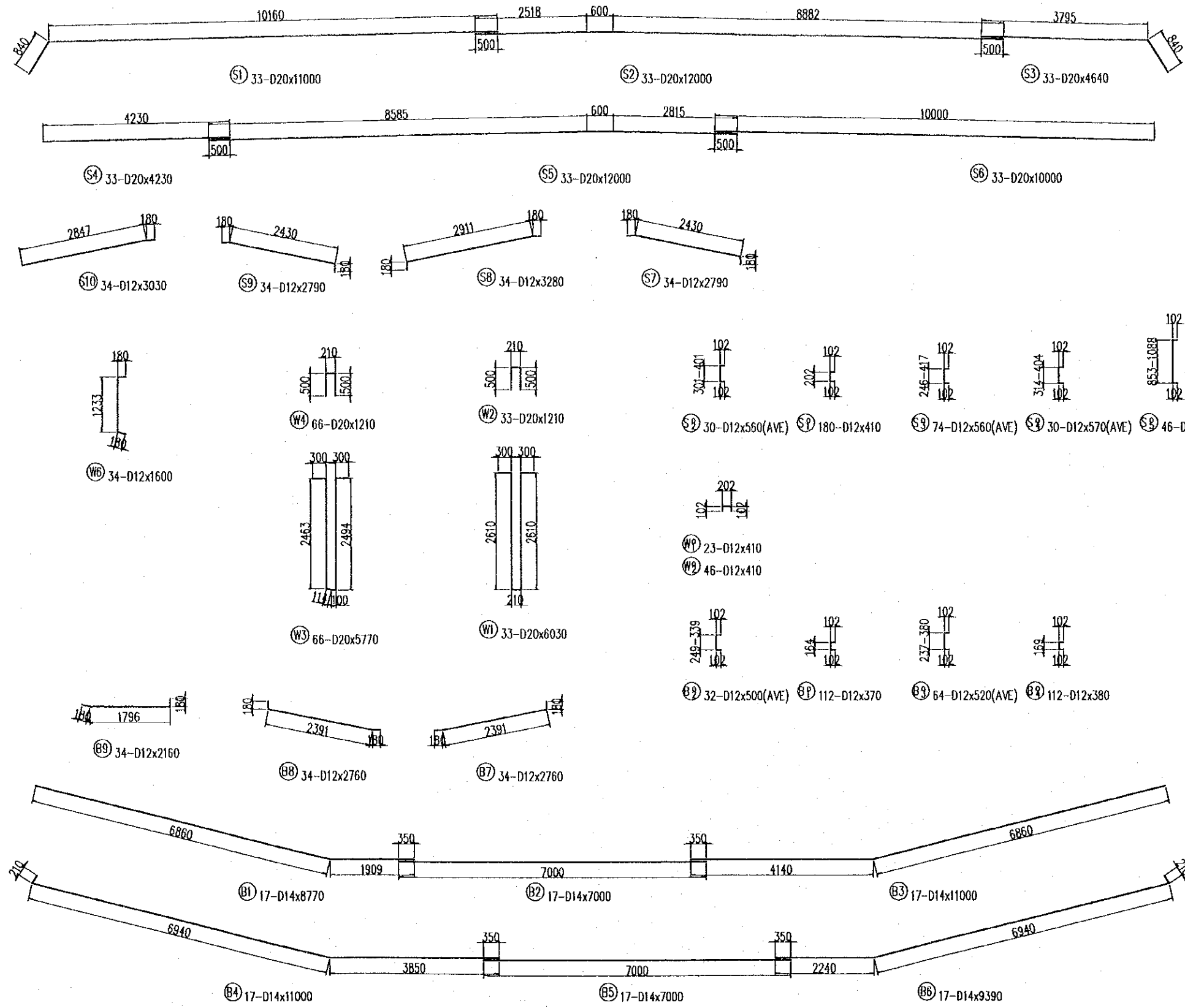
TYPE-4 (2)



PROJECT NAME	IMPLEMENTATION AGENCY	EXECUTING AGENCY	JICA STUDY TEAM	PREPARED BY	CHECKED BY	APPROVED BY	DRAWING TITLE	DWG NO.
DETAILED DESIGN OF THE CAN THO BRIDGE CONSTRUCTION PROJECT	JICA JAPAN INTERNATIONAL COOPERATION AGENCY (JICA)	SOCIALIST REPUBLIC OF VIET NAM MINISTRY OF TRANSPORT (MOT) MY THUAN PROJECT MANAGEMENT UNIT	NIPON KOEI CO.,LTD.	S. Kiguchi	K. Matsumoto	K. Enomoto	CABLE STAYED BRIDGE SUPER STRUCTURE BAR ARRANGEMENT OF SEGMENT TYPE-4 (2)	F2/CS/0410
				DATE: 20/9/2000	DATE: 29/9/2000	DATE: 5/10/2000		

BAR ARRANGEMENT OF SEGMENT SCALE 1:100

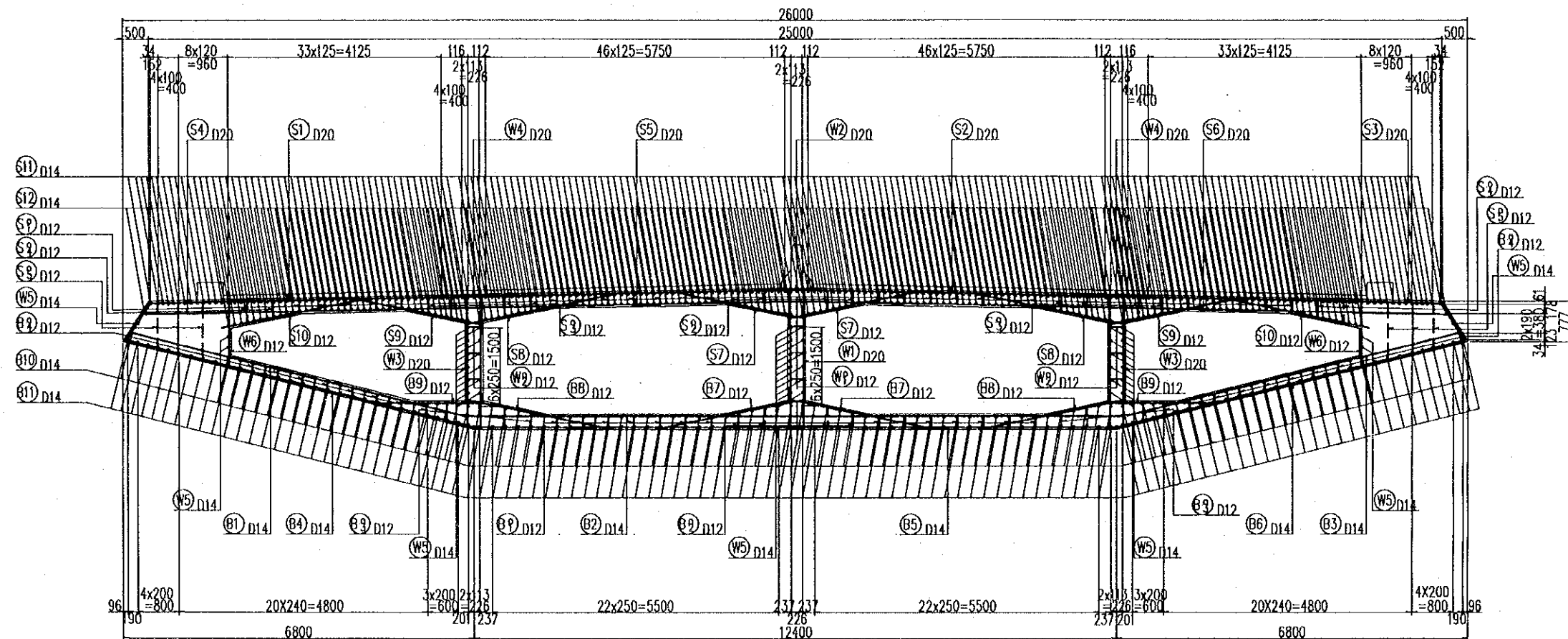
TYPE-4 (3)



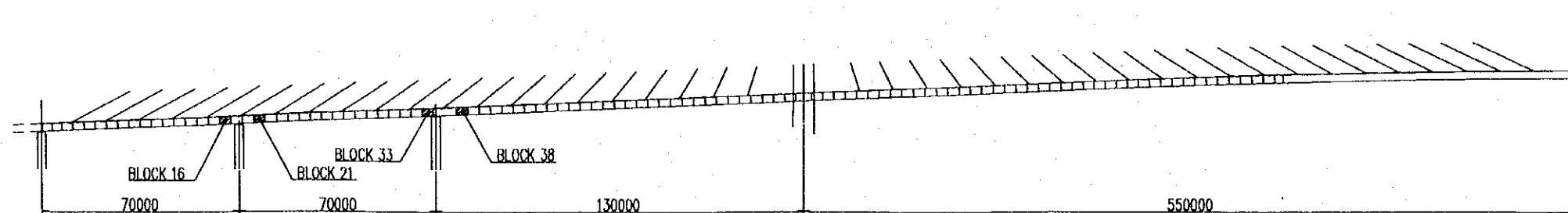
- 3900
- Ⓢ11 206-D14x3900
- Ⓢ12 182-D14x3900
- Ⓢ10 96-D14x3900
- Ⓢ11 112-D14x3900
- Ⓢ5 42-D14x3900

PROJECT NAME	IMPLEMENTATION AGENCY	EXECUTING AGENCY	JICA STUDY TEAM	PREPARED BY	CHECKED BY	APPROVED BY	DRAWING TITLE	DWG NO.
DETAILED DESIGN OF THE CAN THO BRIDGE CONSTRUCTION PROJECT	JICA JAPAN INTERNATIONAL COOPERATION AGENCY (JICA)	SOCIALIST REPUBLIC OF VIET NAM MINISTRY OF TRANSPORT (MOT) MY THUAN PROJECT MANAGEMENT UNIT	NIPON KOEI CO., LTD.	S. Kiguchi	K. Matsumoto	K. Enomoto	CABLE STAYED BRIDGE SUPER STRUCTURE BAR ARRANGEMENT OF SEGMENT TYPE-4 (3)	P2/CS/0420
				DATE: 20/9/2000	DATE: 29/9/2000	DATE: 5/10/2000		

BAR ARRANGEMENT OF SEGMENT SCALE 1:100
TYPE-5 (1)



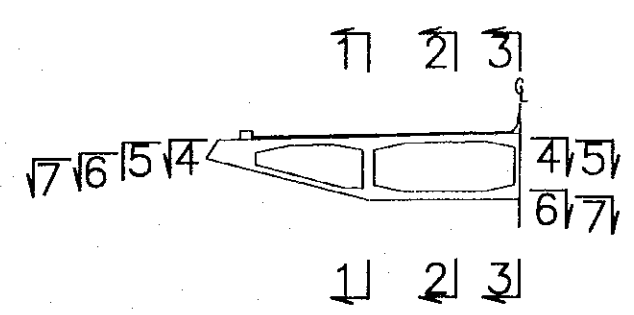
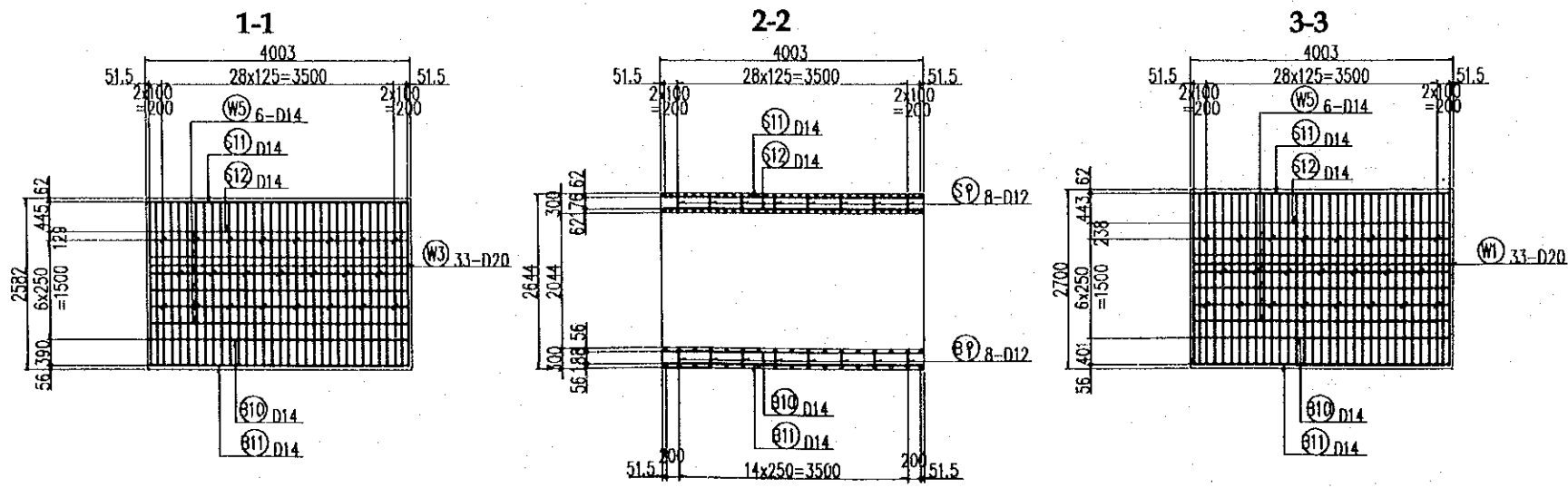
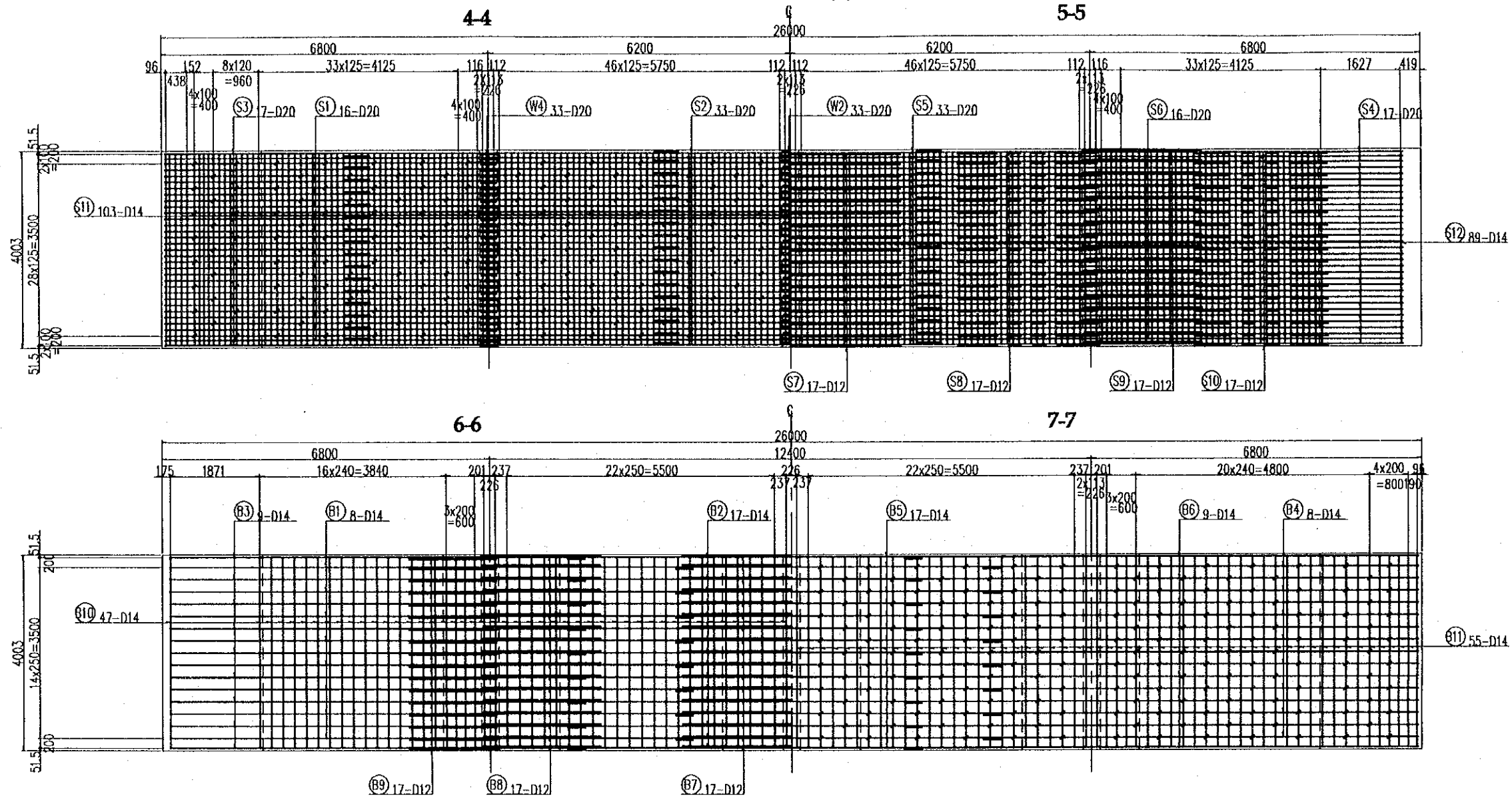
MARK



PROJECT NAME	IMPLEMENTATION AGENCY	EXECUTING AGENCY	JICA STUDY TEAM	PREPARED BY	CHECKED BY	APPROVED BY	DRAWING TITLE	DWG NO.
DETAILED DESIGN OF THE CAN THO BRIDGE CONSTRUCTION PROJECT	JAPAN INTERNATIONAL COOPERATION AGENCY (JICA)	SOCIALIST REPUBLIC OF VIET NAM MINISTRY OF TRANSPORT (MOT) MY THUAN PROJECT MANAGEMENT UNIT	NIPPON KOKI CO.,LTD.	NAME	S. Kiguchi	K. Matsumoto	CABLE STAYED BRIDGE SUPER STRUCTURE BAR ARRANGEMENT OF SEGMENT TYPE-5 (1)	P2/CS/0430
				SIGNATURE	<i>S. Kiguchi</i>	<i>K. Matsumoto</i>		
				DATE	20/9/2000	29/9/2000		
						K. Enomoto		

BAR ARRANGEMENT OF SEGMENT SCALE 1:100

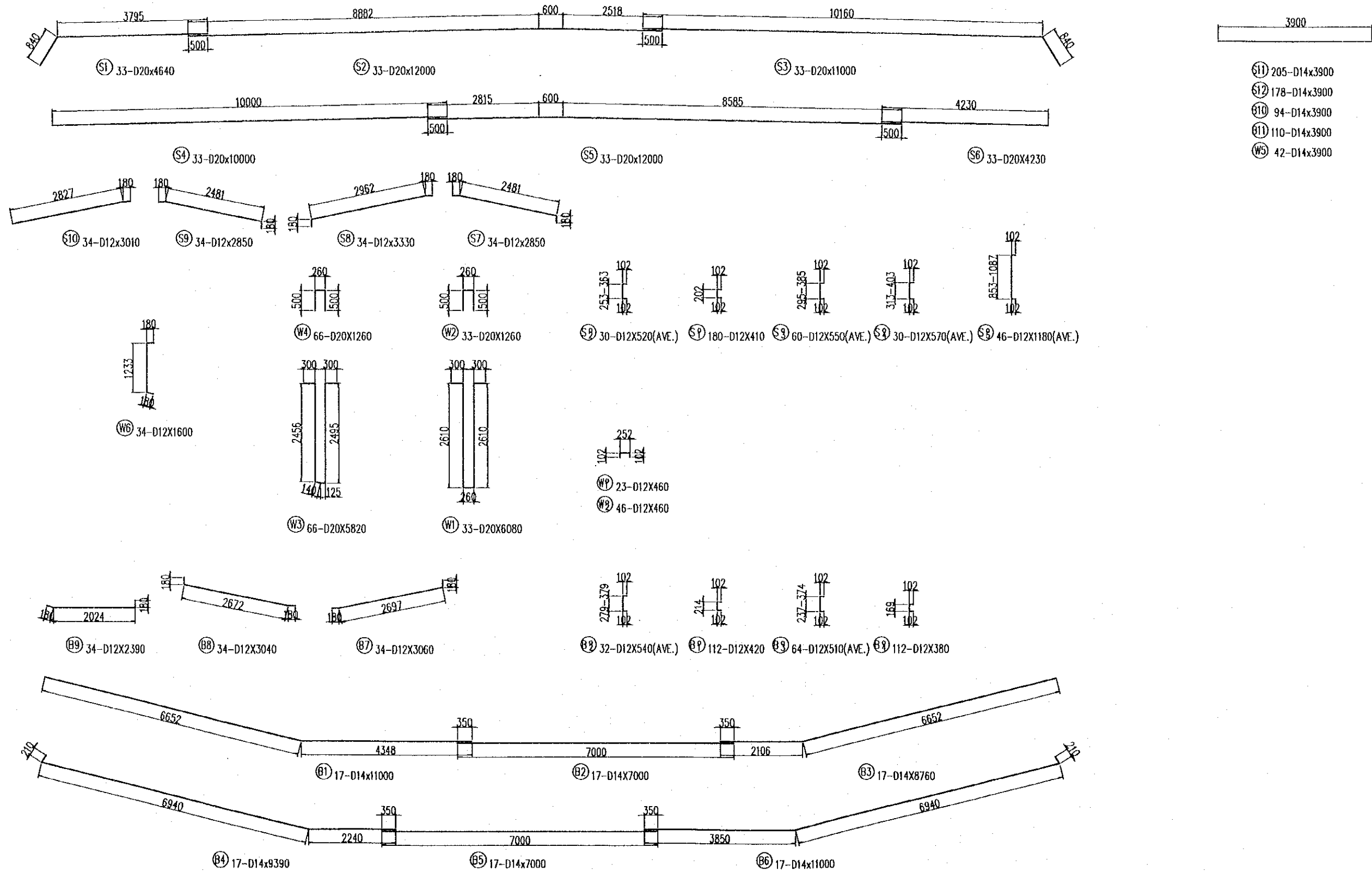
TYPE-5 (2)



PROJECT NAME	IMPLEMENTATION AGENCY	EXECUTING AGENCY	JICA STUDY TEAM	PREPARED BY	CHECKED BY	APPROVED BY	DRAWING TITLE	DWG NO.
DETAILED DESIGN OF THE CAN THO BRIDGE CONSTRUCTION PROJECT	JICA JAPAN INTERNATIONAL COOPERATION AGENCY (JICA)	SOCIALIST REPUBLIC OF VIET NAM MINISTRY OF TRANSPORT (MOT) MY THUAN PROJECT MANAGEMENT UNIT	NIPPON KOEI CO., LTD.	S. Kiguchi	K. Matsumoto	K. Enomoto	CABLE STAYED BRIDGE SUPER STRUCTURE BAR ARRANGEMENT OF SEGMENT TYPE-5 (2)	P2/CS/0440
				NAME SIGNATURE DATE	NAME SIGNATURE DATE	NAME SIGNATURE DATE		

BAR ARRANGEMENT OF SEGMENT SCALE 1:100

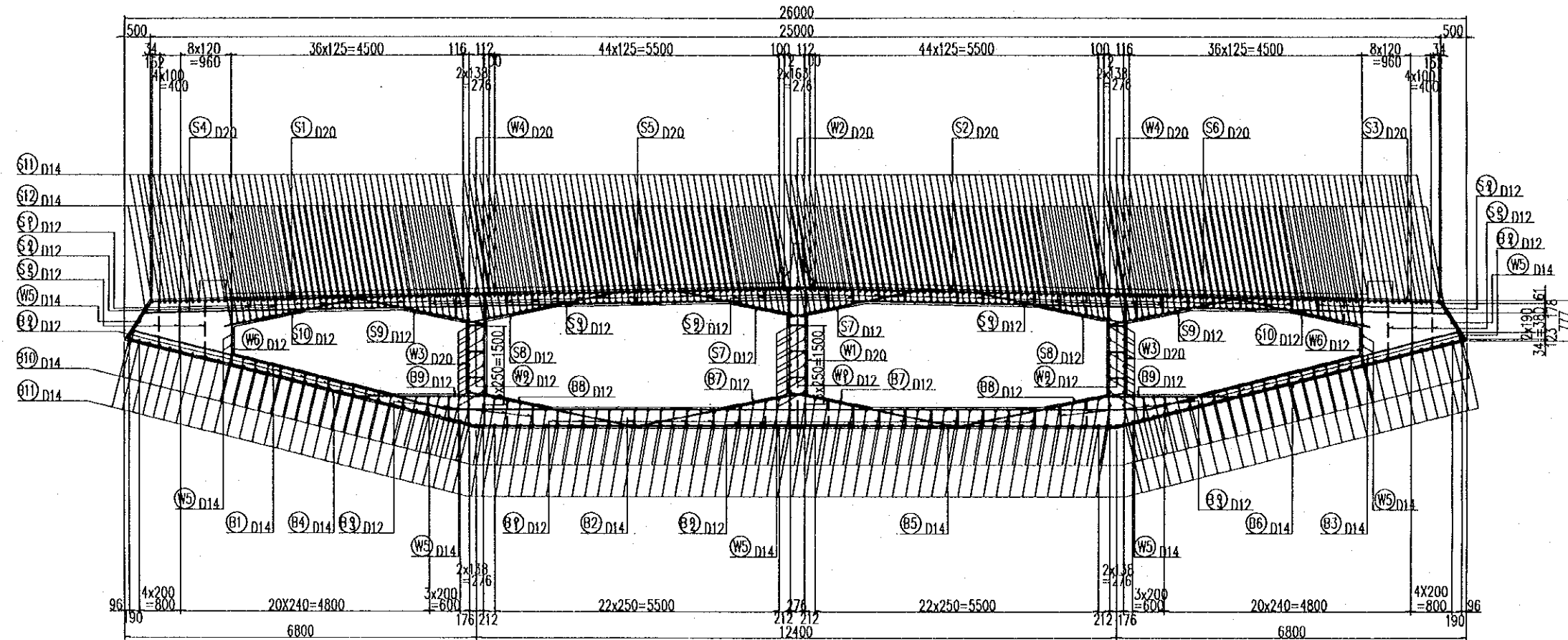
TYPE-5 (3)



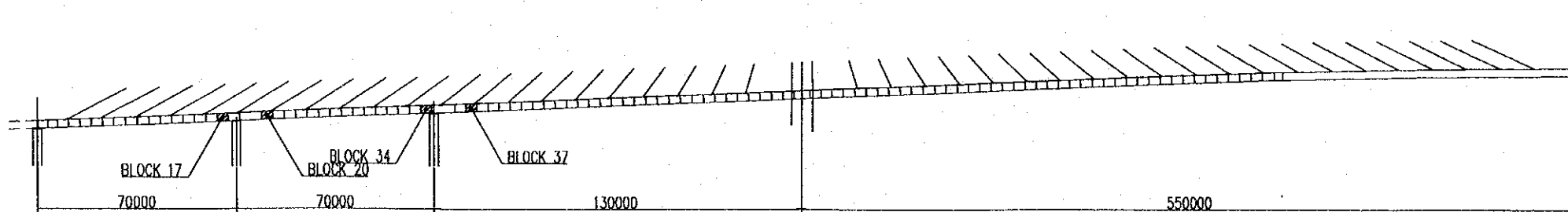
PROJECT NAME	IMPLEMENTATION AGENCY	EXCUTING AGENCY	JICA STUDY TEAM	PREPARED BY	CHECKED BY	APPROVED BY	DRAWING TITLE	DWG NO.
DETAILED DESIGN OF THE CAN THO BRIDGE CONSTRUCTION PROJECT	JICA JAPAN INTERNATIONAL COOPERATION AGENCY (JICA)	SOCIALIST REPUBLIC OF VIET NAM MINISTRY OF TRANSPORT (MOT) MY THUAN PROJECT MANAGEMENT UNIT	NIPPON KOEI CO.,LTD.	S. Kiguchi	K. Matsumoto	K. Enomoto	CABLE STAYED BRIDGE SUPER STRUCTURE BAR ARRANGEMENT OF SBGMNT TYPE-5 (3)	P2/CS/0450
				NAME: S. Kiguchi SIGNATURE: <i>S. Kiguchi</i> DATE: 20/9/2000	NAME: K. Matsumoto SIGNATURE: <i>K. Matsumoto</i> DATE: 29/9/2000	NAME: K. Enomoto SIGNATURE: <i>K. Enomoto</i> DATE: 5/10/2000		

BAR ARRANGEMENT OF SEGMENT SCALE 1:100

TYPE-6 (1)



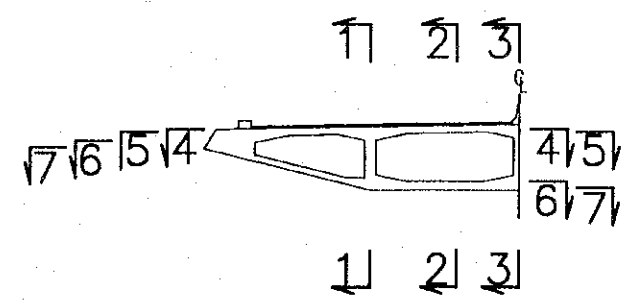
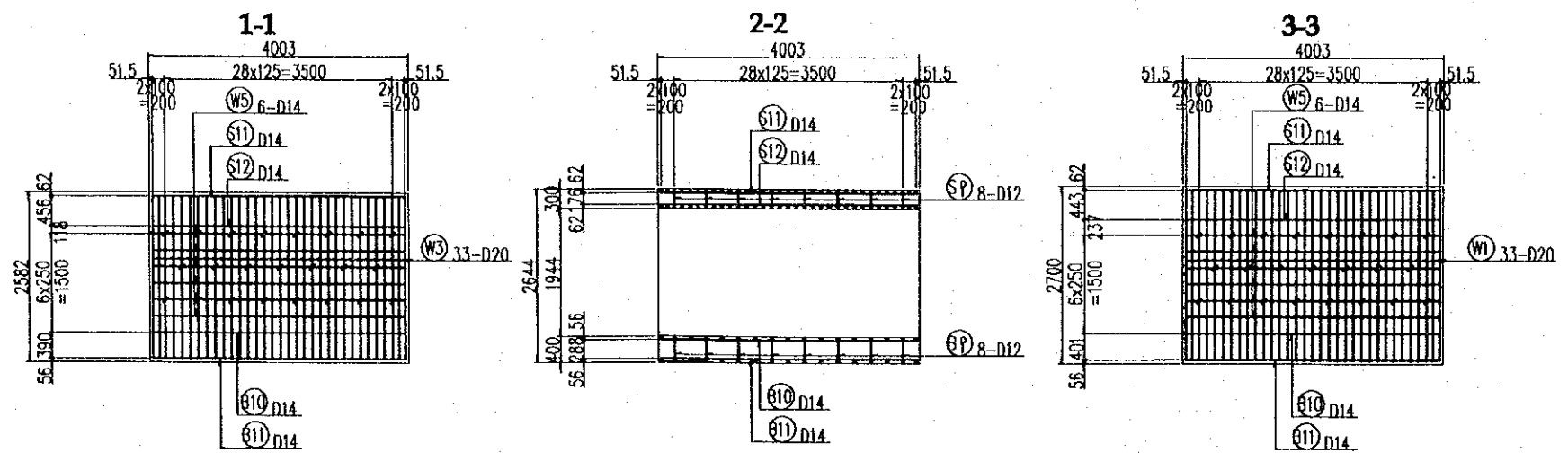
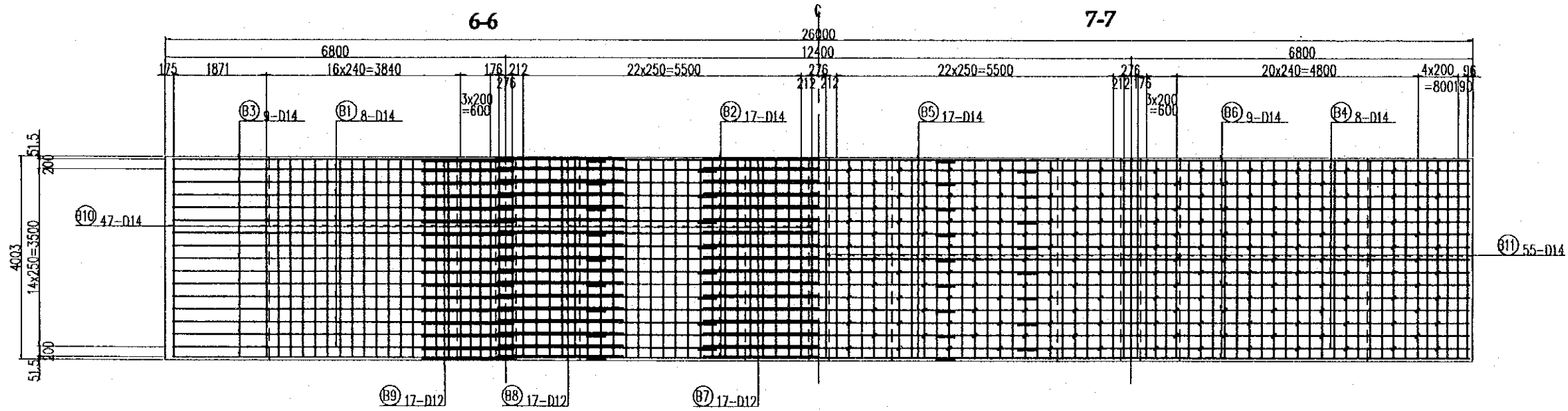
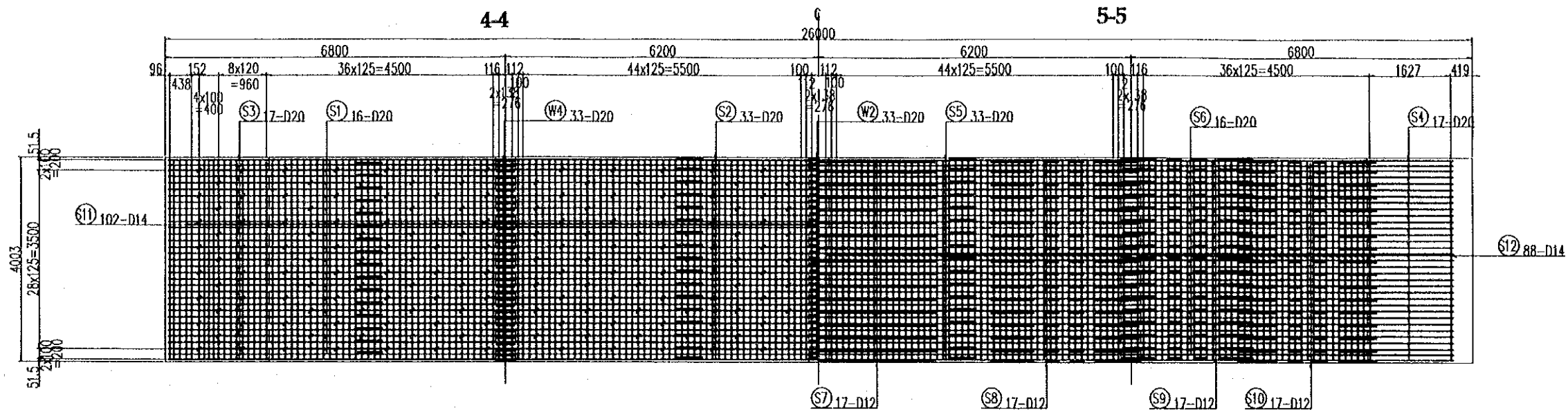
MARK



PROJECT NAME	IMPLEMENTATION AGENCY	EXECUTING AGENCY	JICA STUDY TEAM	PREPARED BY	CHECKED BY	APPROVED BY	DRAWING TITLE	DWG NO.
DETAILED DESIGN OF THE CAN THO BRIDGE CONSTRUCTION PROJECT	JAPAN INTERNATIONAL COOPERATION AGENCY (JICA)	SOCIALIST REPUBLIC OF VIET NAM MINISTRY OF TRANSPORT (MOT) MY THUAN PROJECT MANAGEMENT UNIT	NIPPON KOEI CO., LTD.	NAME: S. Kiguchi SIGNATURE: <i>S. Kiguchi</i> DATE: 20/9/2000	NAME: K. Matsumoto SIGNATURE: <i>K. Matsumoto</i> DATE: 29/9/2000	NAME: K. Enomoto SIGNATURE: <i>K. Enomoto</i> DATE: 5/10/2000	CABLE STAYED BRIDGE SUPER STRUCTURE BAR ARRANGEMENT OF SEGMENT TYPE-6 (1)	P2/CS/0460

BAR ARRANGEMENT OF SEGMENT SCALE 1:100

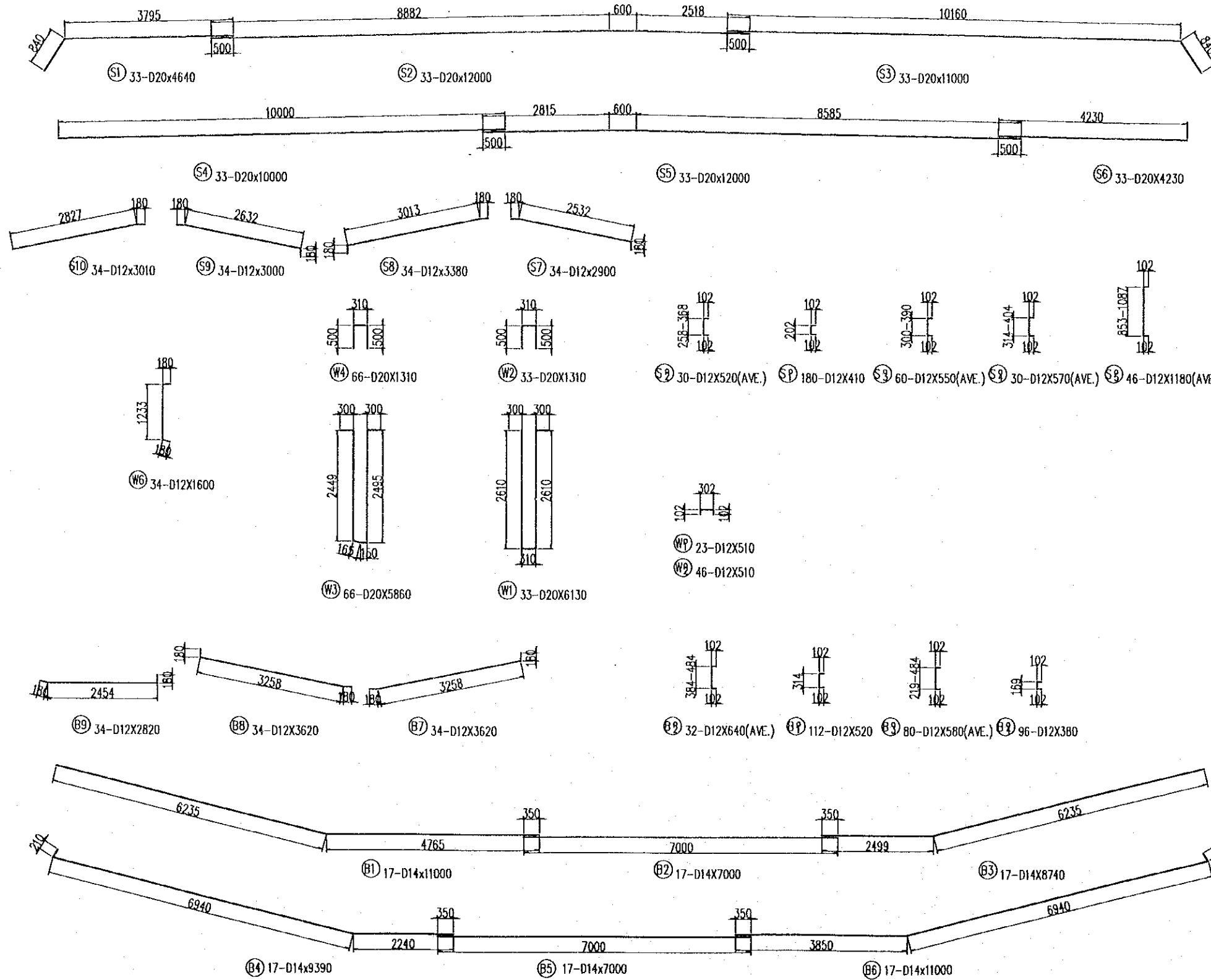
TYPE-6 (2)



PROJECT NAME	IMPLEMENTATION AGENCY	EXECUTING AGENCY	JICA STUDY TEAM	PREPARED BY	CHECKED BY	APPROVED BY	DRAWING TITLE	DWG NO.
DETAILED DESIGN OF THE CAN THO BRIDGE CONSTRUCTION PROJECT	JICA JAPAN INTERNATIONAL COOPERATION AGENCY (JICA)	SOCIALIST REPUBLIC OF VIET NAM MINISTRY OF TRANSPORT (MOT) MY THUAN PROJECT MANAGEMENT UNIT	NIPPON KOEI CO.,LTD.	S. Kiguchi	K. Matsumoto	K. Enomoto	CABLE STAYED BRIDGE SUPER STRUCTURE BAR ARRANGEMENT OF SEGMENT TYPE-6 (2)	P2/CS/0470
				NAME				
				SIGNATURE				
				DATE	20/9/2000	29/9/2000	5/10/2000	

BAR ARRANGEMENT OF SEGMENT SCALE 1:100

TYPE-6 (3)

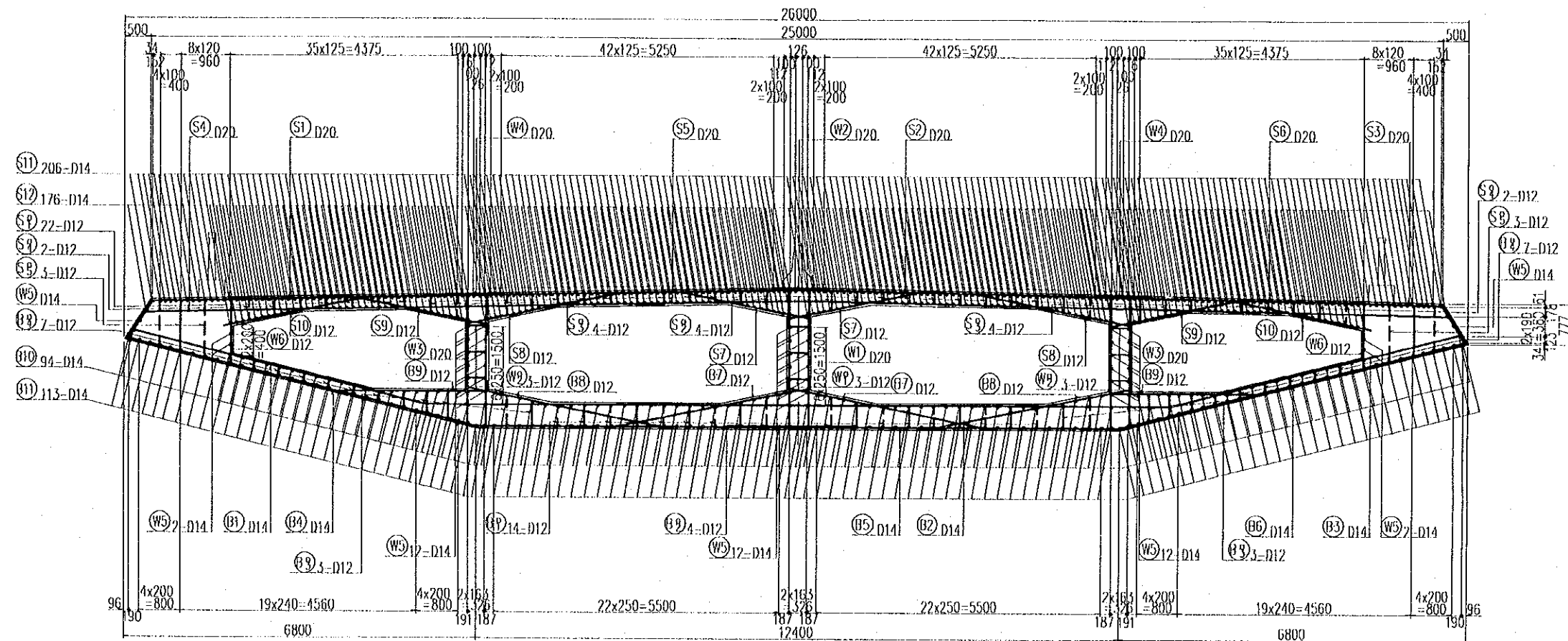


- S11 203-D14x3900
- S12 176-D14x3900
- S10 94-D14x3900
- S11 110-D14x3900
- W5 42-D14x3900

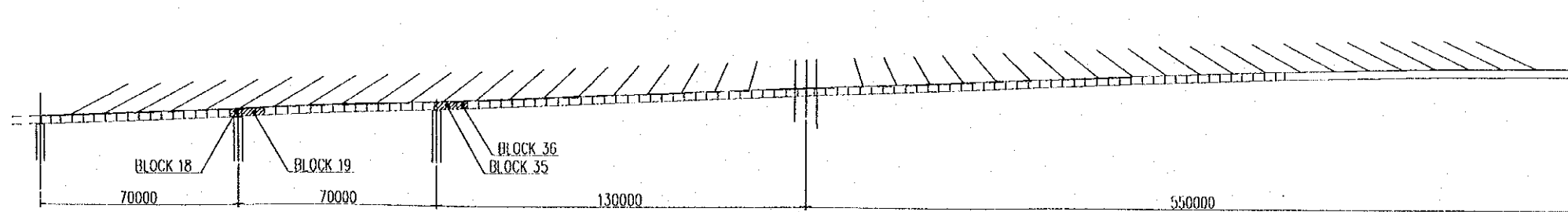
PROJECT NAME	IMPLEMENTATION AGENCY	EXECUTING AGENCY	JICA STUDY TEAM	PREPARED BY	CHECKED BY	APPROVED BY	DRAWING TITLE	DWG NO.
DETAILED DESIGN OF THE CAN THO BRIDGE CONSTRUCTION PROJECT	JICA JAPAN INTERNATIONAL COOPERATION AGENCY (JICA)	SOCIALIST REPUBLIC OF VIET NAM MINISTRY OF TRANSPORT (MOT) MY THUAN PROJECT MANAGEMENT UNIT	NIPPON KOEI CO.,LTD.	S. Kiguchi	K. Matsumoto	K. Enomoto	CABLE STAYED BRIDGE SUPER STRUCTURE BAR ARRANGEMENT OF SEGMENT TYPE-6 (3)	P2/CS/0480
				SIGNATURE	SIGNATURE	SIGNATURE		
				DATE	DATE	DATE		

BAR ARRANGEMENT OF SEGMENT SCALE 1:100

TYPE-7 (1)



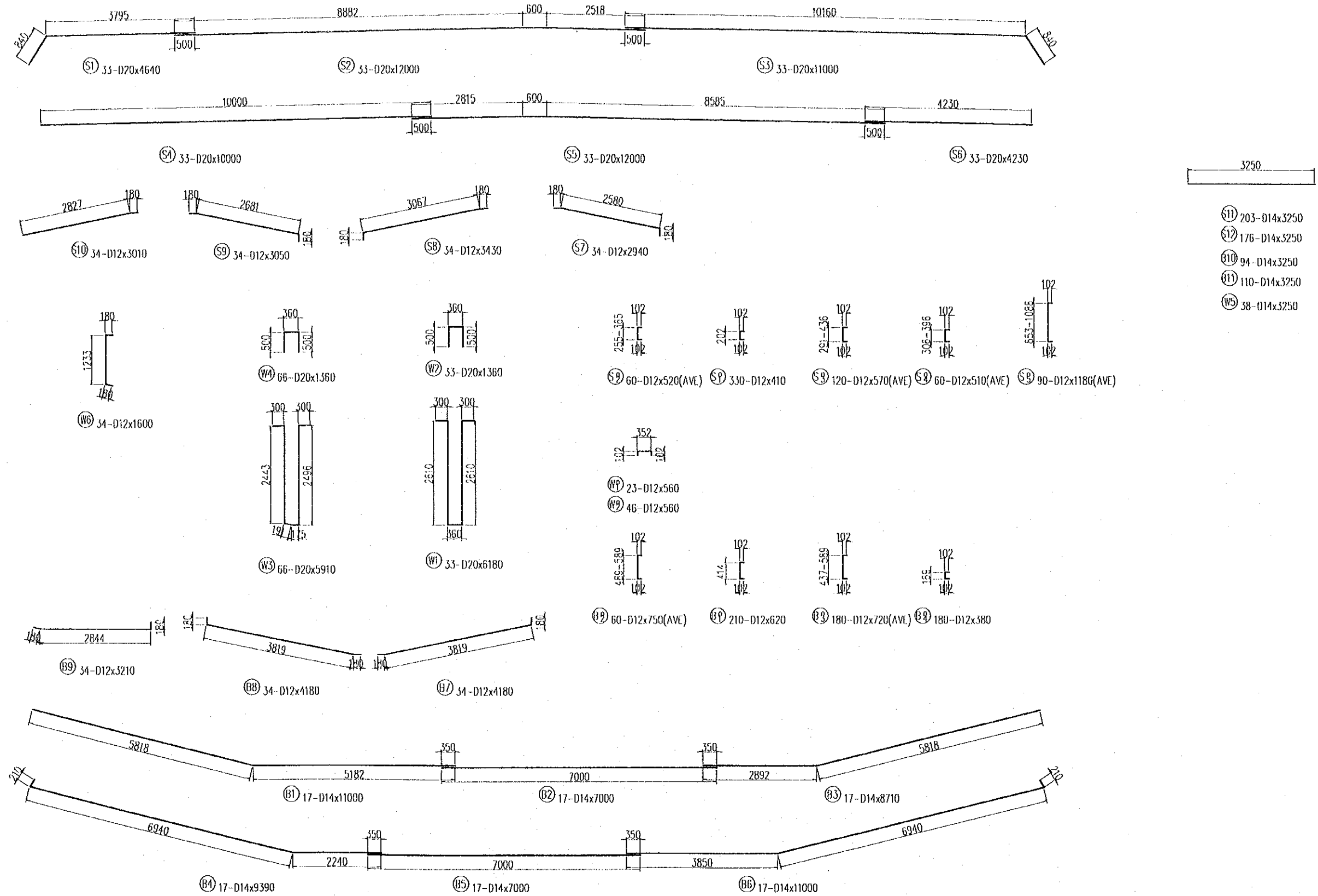
MARK



PROJECT NAME	IMPLEMENTATION AGENCY	EXECUTING AGENCY	JICA STUDY TEAM	PREPARED BY	CHECKED BY	APPROVED BY	DRAWING TITLE	DWG NO.
DETAILED DESIGN OF THE CAN THO BRIDGE CONSTRUCTION PROJECT	JICA JAPAN INTERNATIONAL COOPERATION AGENCY (JICA)	SOCIALIST REPUBLIC OF VIET NAM MINISTRY OF TRANSPORT (MOT) MY THUAN PROJECT MANAGEMENT UNIT	NIPPON KOEI CO.,LTD.	NAME: S. Kiguchi SIGNATURE: <i>S. Kiguchi</i> DATE: 20/9/2000	NAME: K. Matsumoto SIGNATURE: <i>K. Matsumoto</i> DATE: 29/9/2000	NAME: K. Enomoto SIGNATURE: <i>K. Enomoto</i> DATE: 5/10/2000	CABLE STAYED BRIDGE SUPER STRUCTURE BAR ARRANGEMENT OF SEGMENT TYPE-7 (1)	P2/CS/0490

BAR ARRANGEMENT OF SEGMENT SCALE 1:100

TYPE-7 (3)



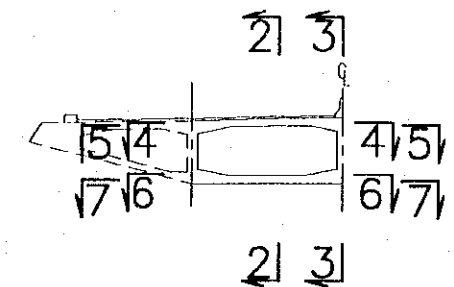
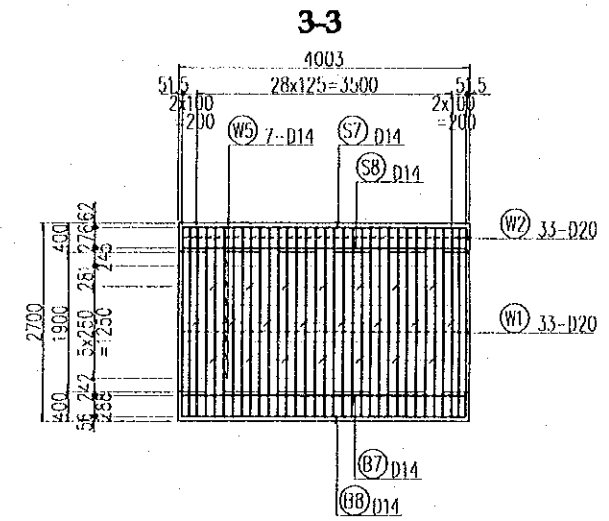
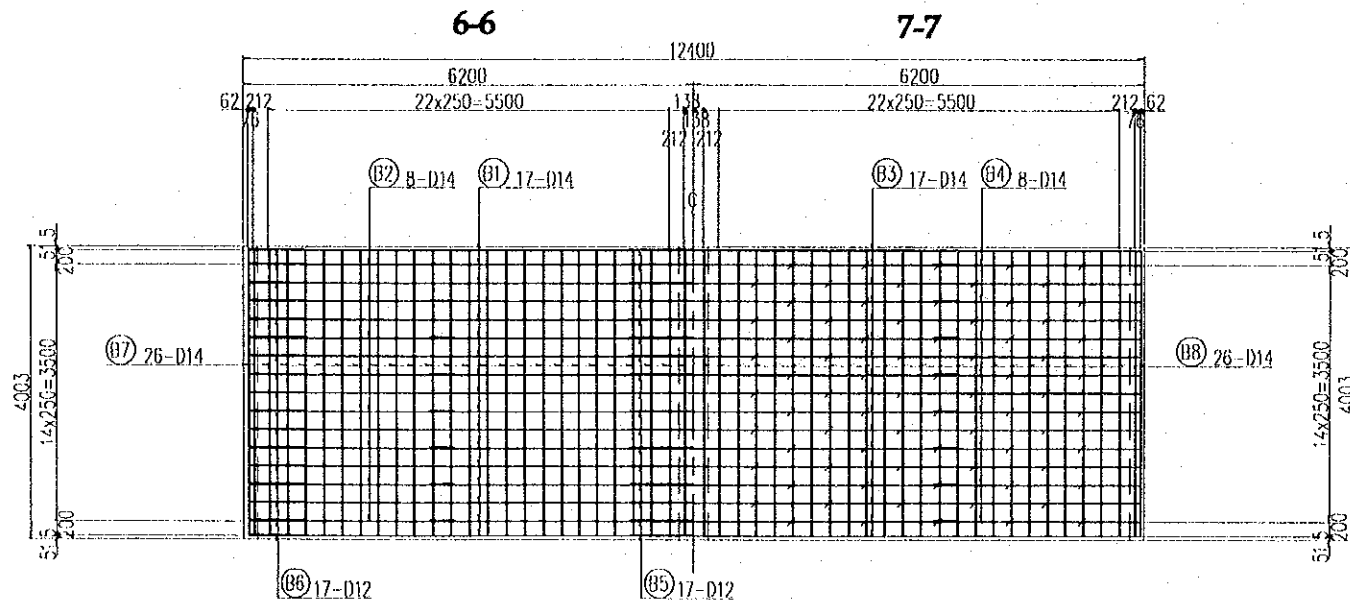
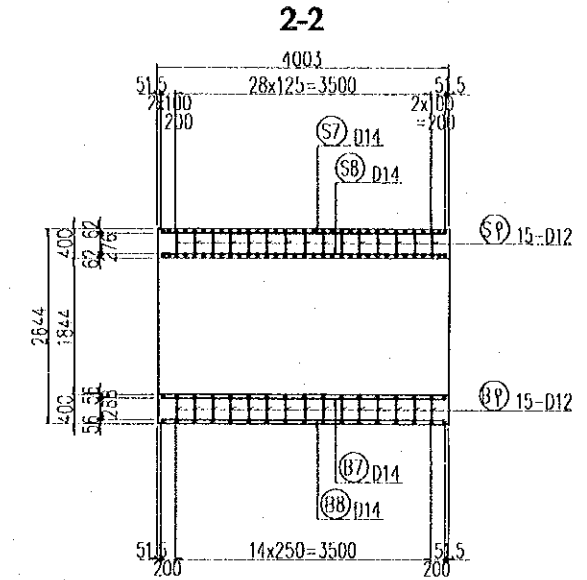
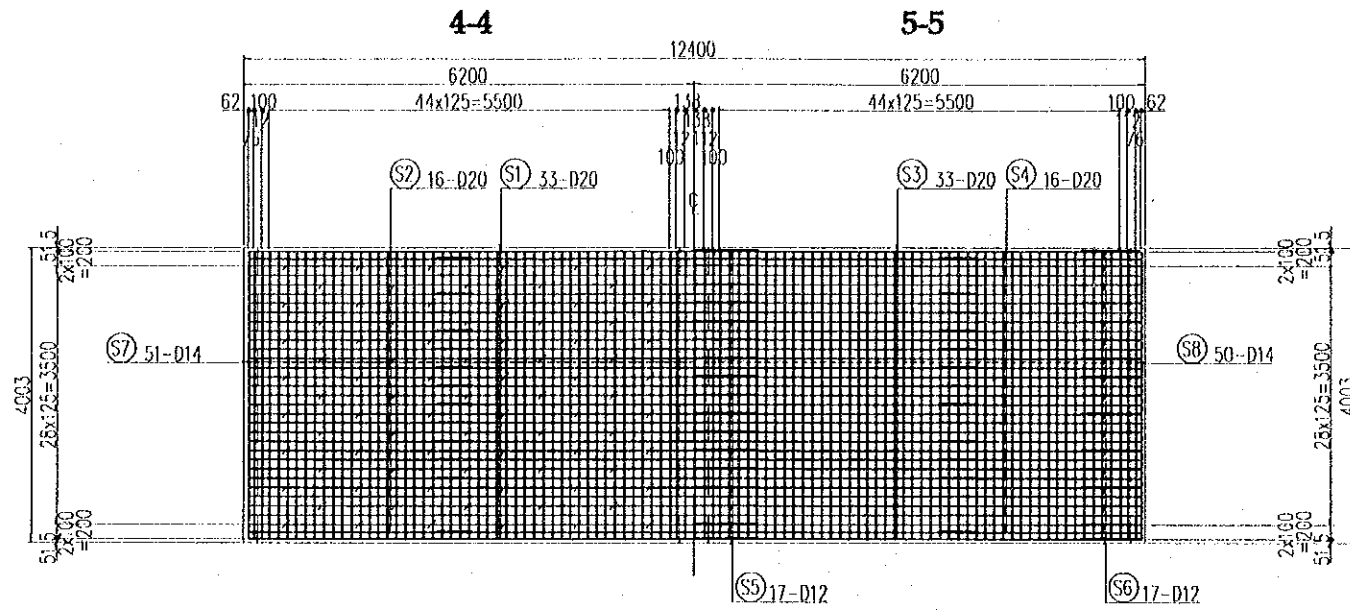
- Ⓜ11 203-D14x3250
- Ⓜ12 176-D14x3250
- Ⓜ10 94-D14x3250
- Ⓜ11 110-D14x3250
- Ⓜ5 38-D14x3250

PROJECT NAME	IMPLEMENTATION AGENCY	EXECUTING AGENCY	JICA STUDY TEAM	PREPARED BY	CHECKED BY	APPROVED BY	DRAWING TITLE	DWG NO.
DETAILED DESIGN OF THE CAN THO BRIDGE CONSTRUCTION PROJECT	JAPAN INTERNATIONAL COOPERATION AGENCY (JICA)	SOCIALIST REPUBLIC OF VIET NAM MINISTRY OF TRANSPORT (MOT) MY THUAN PROJECT MANAGEMENT UNIT	NIPPON KOEI CO., LTD.	NAME: S. Kiguchi SIGNATURE: <i>S. Kiguchi</i> DATE: 20/9/2000	NAME: K. Matsumoto SIGNATURE: <i>K. Matsumoto</i> DATE: 29/9/2000	NAME: K. Enomoto SIGNATURE: <i>K. Enomoto</i> DATE: 5/10/2000	CABLE STAYED BRIDGE SUPER STRUCTURE BAR ARRANGEMENT OF SEGMENT TYPE-7 (3)	P2/CS/0510

BAR ARRANGEMENT OF SEGMENT

SCALE 1:100

TYPE-8 (2)

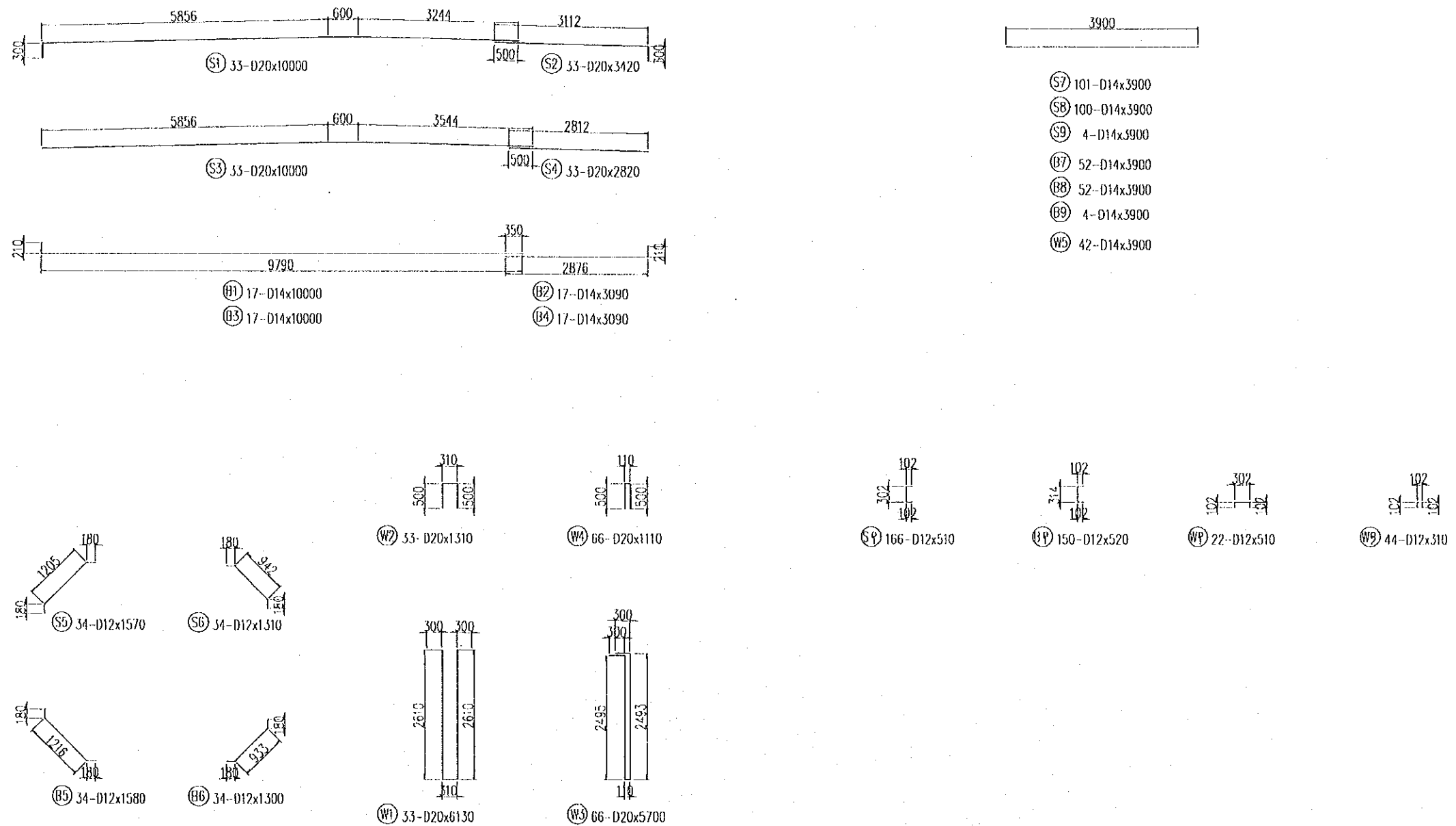


PROJECT NAME	IMPLEMENTATION AGENCY	EXECUTING AGENCY	JICA STUDY TEAM	PREPARED BY	CHECKED BY	APPROVED BY	DRAWING TITLE	DWG NO.	
DETAILED DESIGN OF THE CAN THO BRIDGE CONSTRUCTION PROJECT	JAPAN INTERNATIONAL COOPERATION AGENCY (JICA)	SOCIALIST REPUBLIC OF VIET NAM MINISTRY OF TRANSPORT (MOT) MY THUAN PROJECT MANAGEMENT UNIT	NIPPON KOEI CO.,LTD.	NAME	S. Kiguchi	K. Matsumoto		CABLE STAYED BRIDGE SUPER STRUCTURE BAR ARRANGEMENT OF SEGMENT TYPE-8 (2)	P2/CS/0530
				SIGNATURE	<i>S. Kiguchi</i>	<i>K. Matsumoto</i>			
				DATE	20/9/2000	29/9/2000			

BAR ARRANGEMENT OF SEGMENT

SCALE 1:100

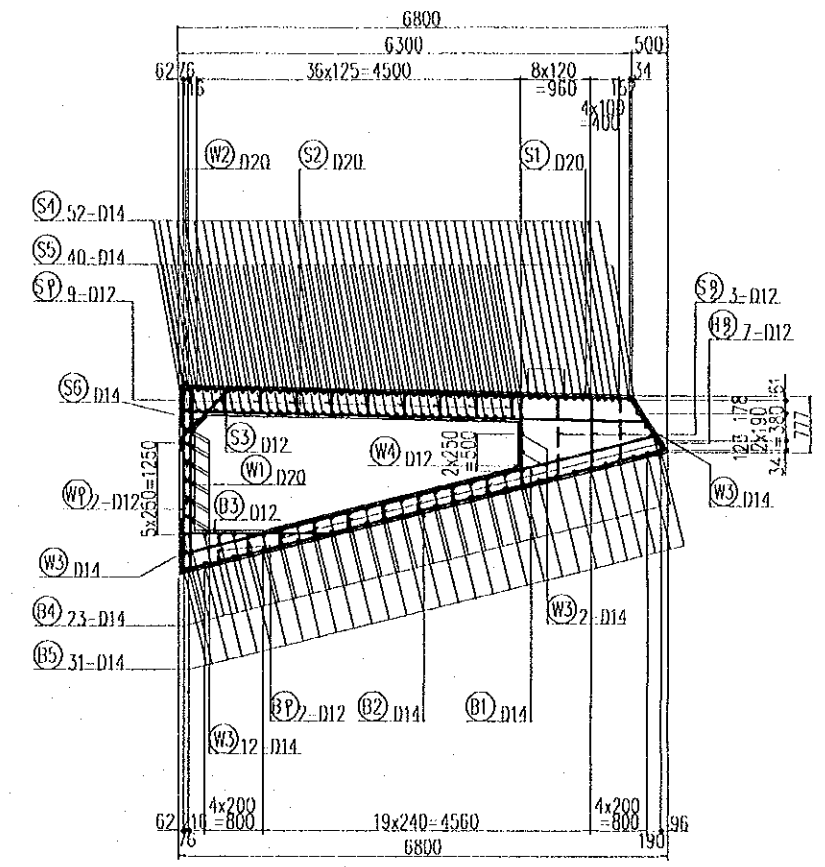
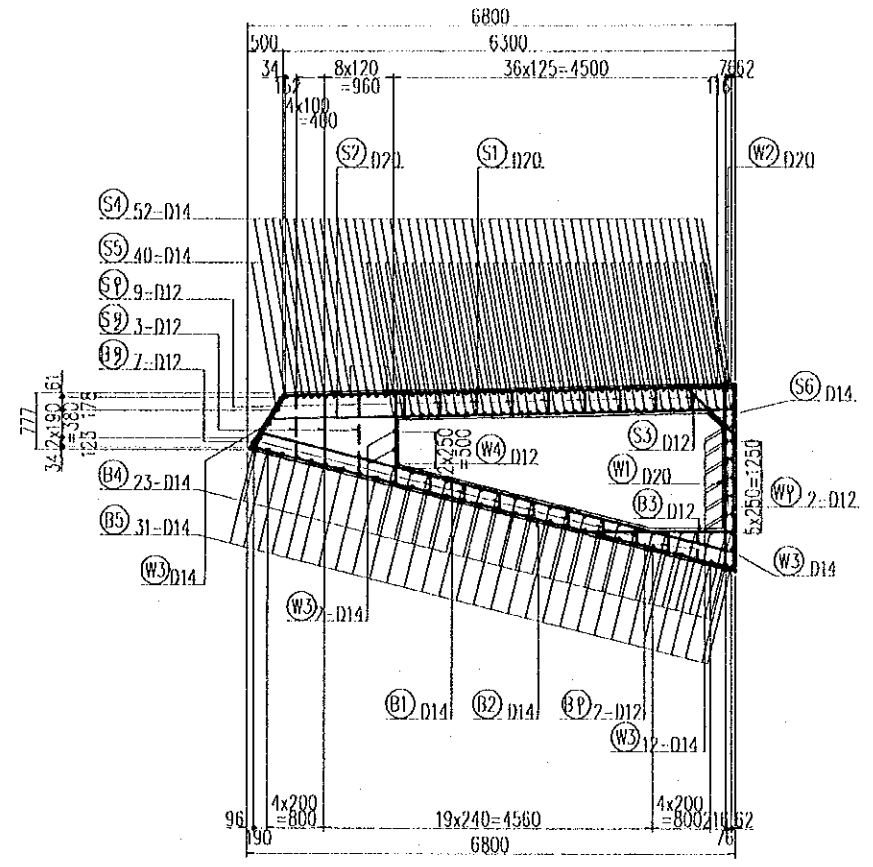
TYPE-8 (3)



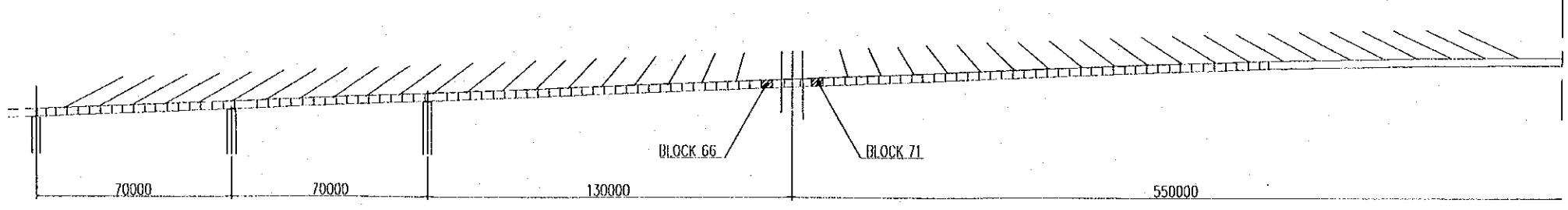
PROJECT NAME	IMPLEMENTATION AGENCY	EXECUTING AGENCY	JICA STUDY TEAM	PREPARED BY	CHECKED BY	APPROVED BY	DRAWING TITLE	DWG NO.
DETAILED DESIGN OF THE CAN THO BRIDGE CONSTRUCTION PROJECT	JAPAN INTERNATIONAL COOPERATION AGENCY (JICA)	SOCIALIST REPUBLIC OF VIET NAM MINISTRY OF TRANSPORT (MOT) MY THUAN PROJECT MANAGEMENT UNIT	NIPPON KOHI CO.,LTD.	NAME: S. Kiguchi SIGNATURE: <i>S. Kiguchi</i> DATE: 20/9/2000	NAME: K. Matsumoto SIGNATURE: <i>K. Matsumoto</i> DATE: 29/9/2000	NAME: K. Enomoto SIGNATURE: <i>K. Enomoto</i> DATE: 5/10/2000	CABLE STAYED BRIDGE SUPER STRUCTURE BAR ARRANGEMENT OF SEGMENT TYPE-8 (3)	P2/CS/0540

BAR ARRANGEMENT OF SEGMENT SCALE 1:100

TYPE-9 (1)



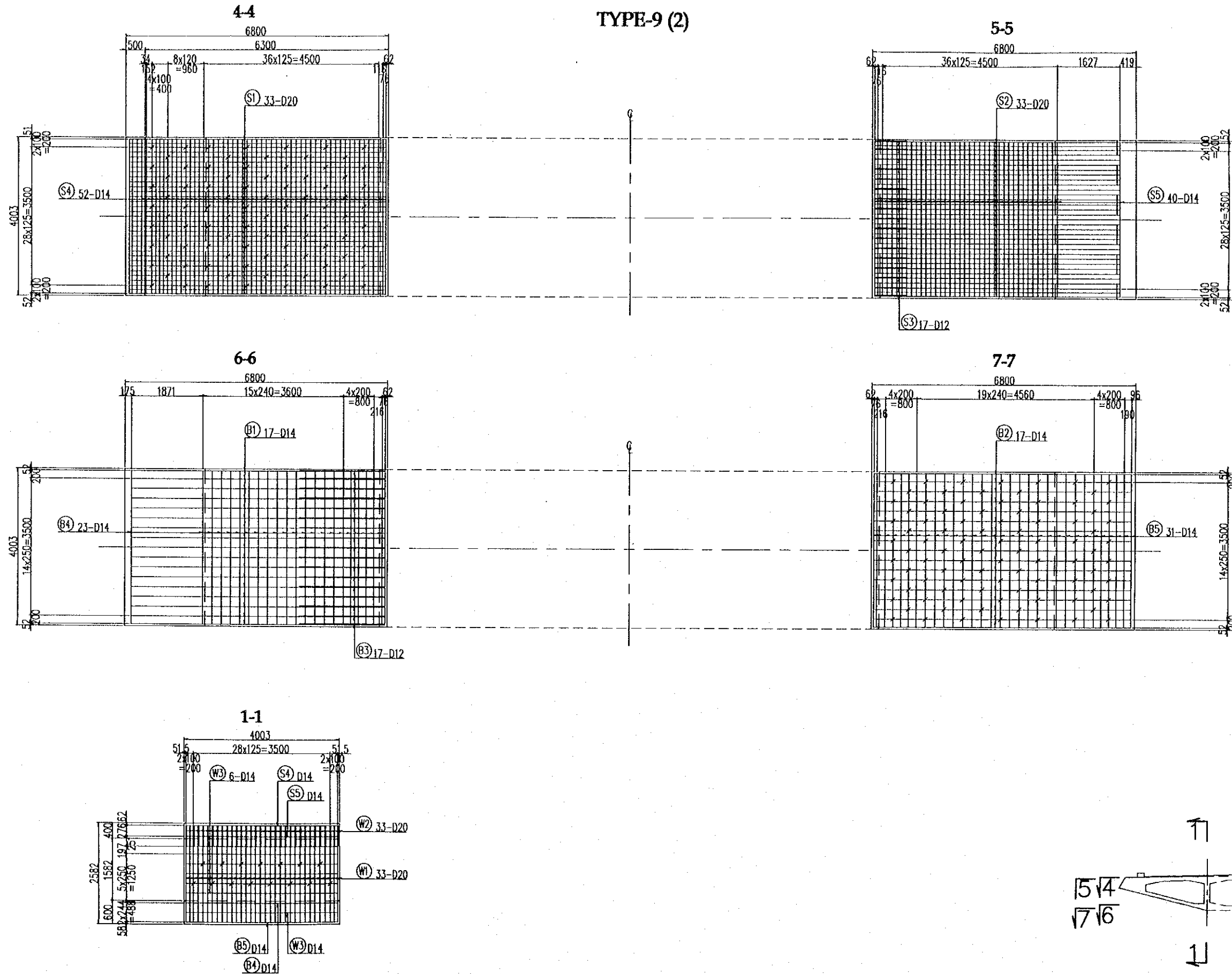
MARK



PROJECT NAME	IMPLEMENTATION AGENCY	EXECUTING AGENCY	JICA STUDY TEAM	PREPARED BY	CHECKED BY	APPROVED BY	DRAWING TITLE	DWG NO.
DETAILED DESIGN OF THE CAN THO BRIDGE CONSTRUCTION PROJECT	JICA JAPAN INTERNATIONAL COOPERATION AGENCY (JICA)	SOCIALIST REPUBLIC OF VIET NAM MINISTRY OF TRANSPORT (MOT) MY THUAN PROJECT MANAGEMENT UNIT	NIPPON KOEI CO.,LTD.	S. Kiguchi	K. Matsumoto	K. Enomoto	CABLE STAYED BRIDGE SUPER STRUCTURE BAR ARRANGEMENT OF SEGMENT TYPE-9 (1)	P2/CS/0550
				NAME: S. Kiguchi	NAME: K. Matsumoto	NAME: K. Enomoto		
				SIGNATURE: S. Kiguchi	SIGNATURE: K. Matsumoto	SIGNATURE: K. Enomoto		
				DATE: 20/9/2000	DATE: 29/9/2000	DATE: 5/10/2000		

BAR ARRANGEMENT OF SEGMENT SCALE 1:100

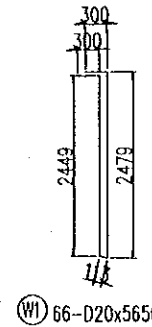
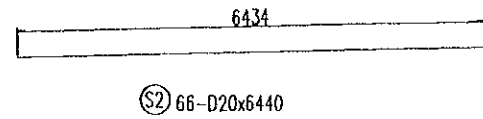
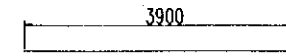
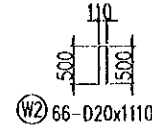
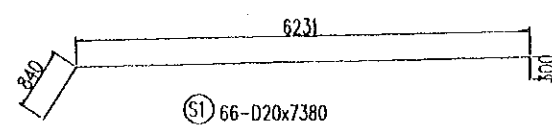
TYPE-9 (2)



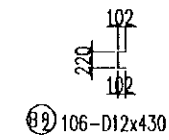
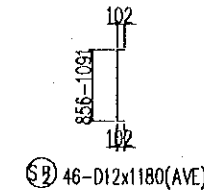
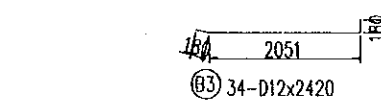
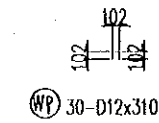
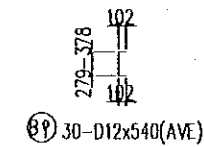
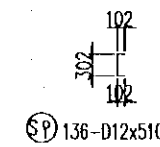
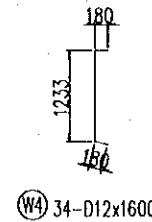
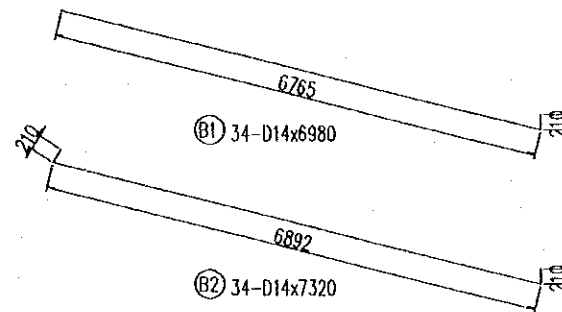
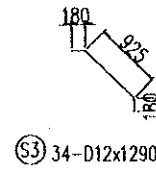
PROJECT NAME	IMPLEMENTATION AGENCY	EXECUTING AGENCY	JICA STUDY TEAM	PREPARED BY	CHECKED BY	APPROVED BY	DRAWING TITLE	DWG NO.
DETAILED DESIGN OF THE CAN THO BRIDGE CONSTRUCTION PROJECT	JAPAN INTERNATIONAL COOPERATION AGENCY (JICA)	SOCIALIST REPUBLIC OF VIET NAM MINISTRY OF TRANSPORT (MOT) MY THUAN PROJECT MANAGEMENT UNIT	NIPPON KOEI CO.,LTD.	NAME: S. Kiguchi SIGNATURE: <i>S. Kiguchi</i> DATE: 20/9/2000	NAME: K. Matsumoto SIGNATURE: <i>K. Matsumoto</i> DATE: 29/9/2000	NAME: K. Enomoto SIGNATURE: <i>K. Enomoto</i> DATE: 5/10/2000	CABLE STAYED BRIDGE SUPER STRUCTURE	P2/CS/0560

BAR ARRANGEMENT OF SEGMENT SCALE 1:100

TYPE-9 (3)



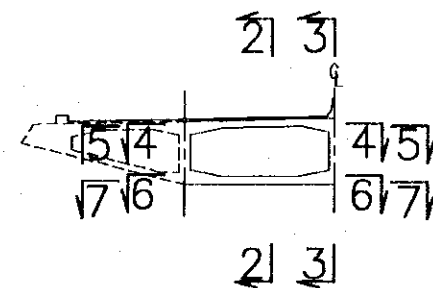
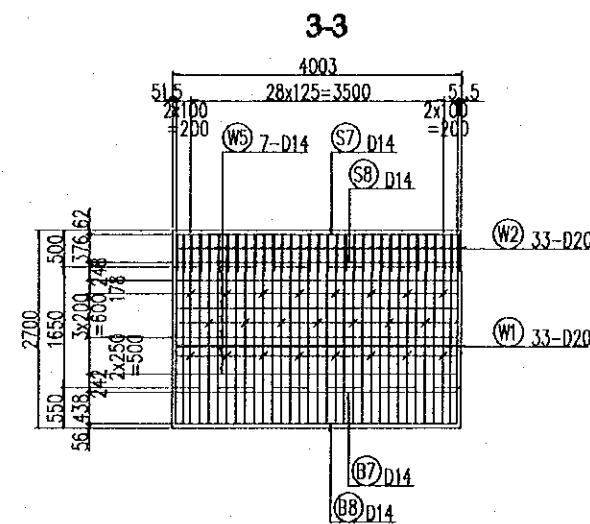
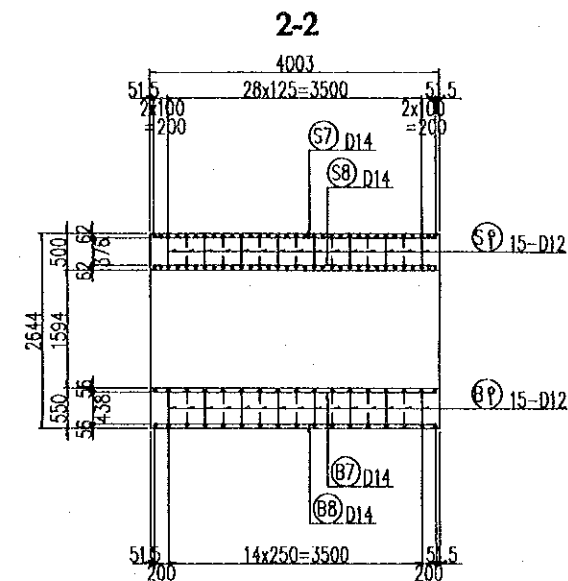
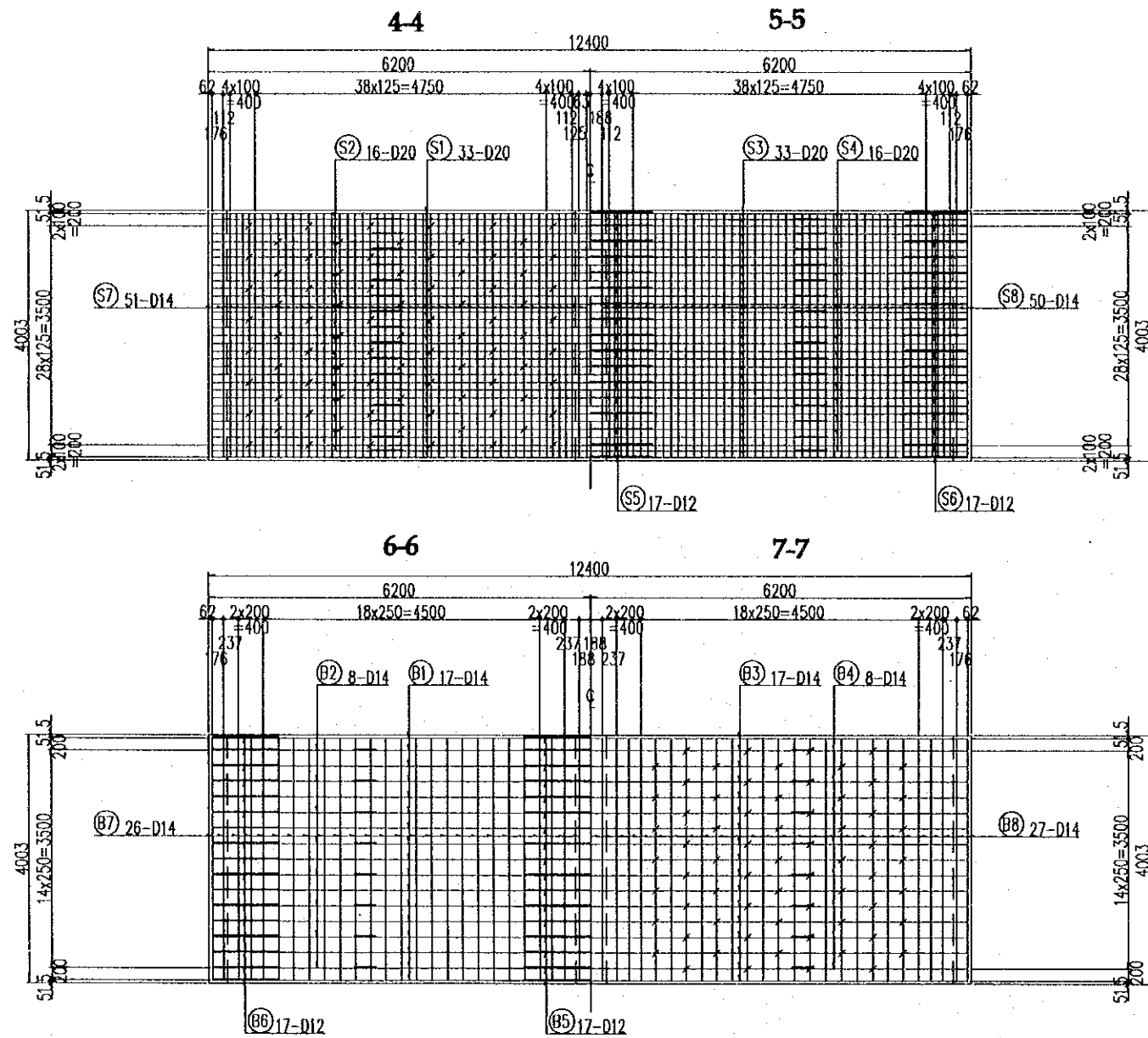
- S4 104-D14x3900
- S5 80-D14x3900
- S6 2-D14x3900
- B4 46-D14x3900
- B5 62-D14x3900
- W3 32-D14x3900



PROJECT NAME	IMPLEMENTATION AGENCY	EXECUTING AGENCY	JICA STUDY TEAM	PREPARED BY	CHECKED BY	APPROVED BY	DRAWING TITLE	DWG NO.
DETAILED DESIGN OF THE CAN THO BRIDGE CONSTRUCTION PROJECT	JICA JAPAN INTERNATIONAL COOPERATION AGENCY (JICA)	SOCIALIST REPUBLIC OF VIET NAM MINISTRY OF TRANSPORT (MOT) MY THUAN PROJECT MANAGEMENT UNIT	NIPON KOEI CO.,LTD.	S. Kiguchi	K. Matsumoto	K. Enomoto	CABLE STAYED BRIDGE SUPER STRUCTURE BAR ARRANGEMENT OF SEGMENT TYPE-9 (3)	P2/CS/0570
				SIGNATURE: <i>S. Kiguchi</i>	SIGNATURE: <i>K. Matsumoto</i>	SIGNATURE: <i>K. Enomoto</i>		
				DATE: 20/9/2000	DATE: 29/9/2000	DATE: 5/10/2000		

BAR ARRANGEMENT OF SEGMENT SCALE 1:100

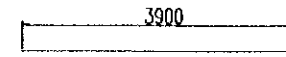
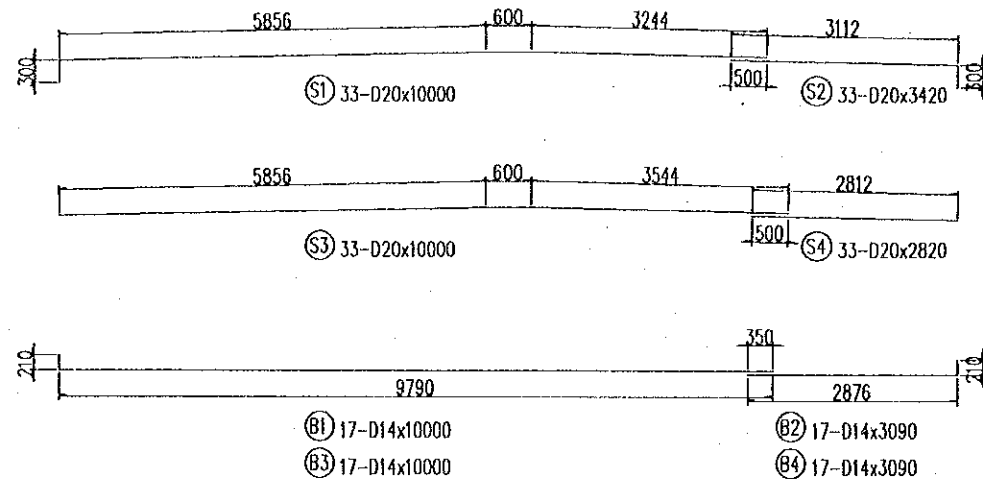
TYPE-10 (2)



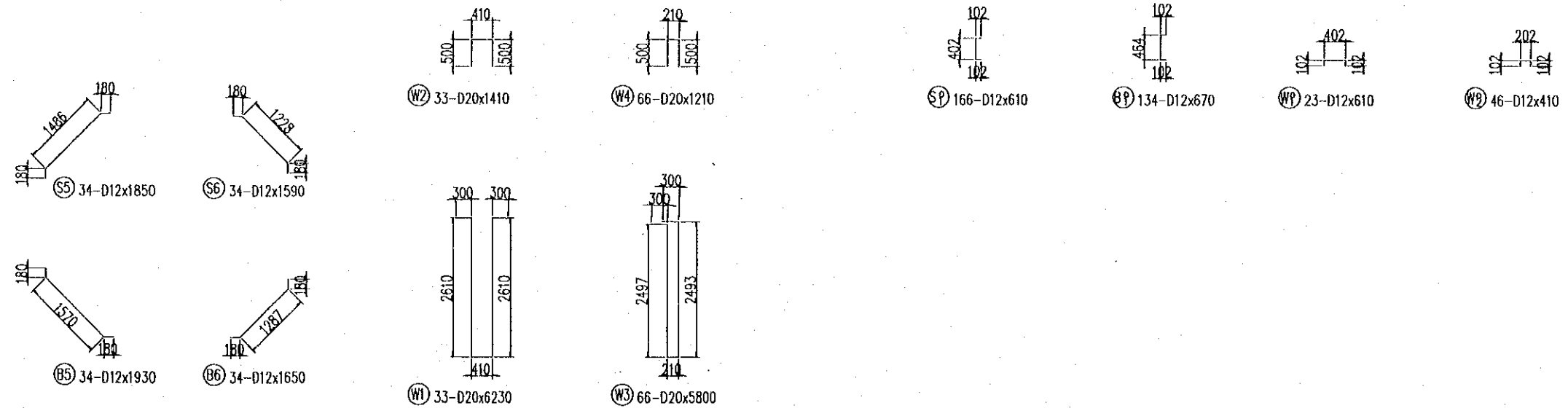
PROJECT NAME	IMPLEMENTATION AGENCY	EXECUTING AGENCY	JICA STUDY TEAM	PREPARED BY	CHECKED BY	APPROVED BY	DRAWING TITLE	DWG NO.
DETAILED DESIGN OF THE CAN THO BRIDGE CONSTRUCTION PROJECT	JICA JAPAN INTERNATIONAL COOPERATION AGENCY (JICA)	SOCIALIST REPUBLIC OF VIET NAM MINISTRY OF TRANSPORT (MOT) MY THUAN PROJECT MANAGEMENT UNIT	NIPON KOEI CO., LTD.	S. Kiguchi	K. Matsumoto	K. Enomoto	CABLE STAYED BRIDGE SUPER STRUCTURE BAR ARRANGEMENT OF SEGMENT TYPE-10 (2)	P2/CS/0590
				DATE: 20/9/2000	DATE: 29/9/2000	DATE: 5/10/2000		

BAR ARRANGEMENT OF SEGMENT SCALE 1:100

TYPE-10 (3)



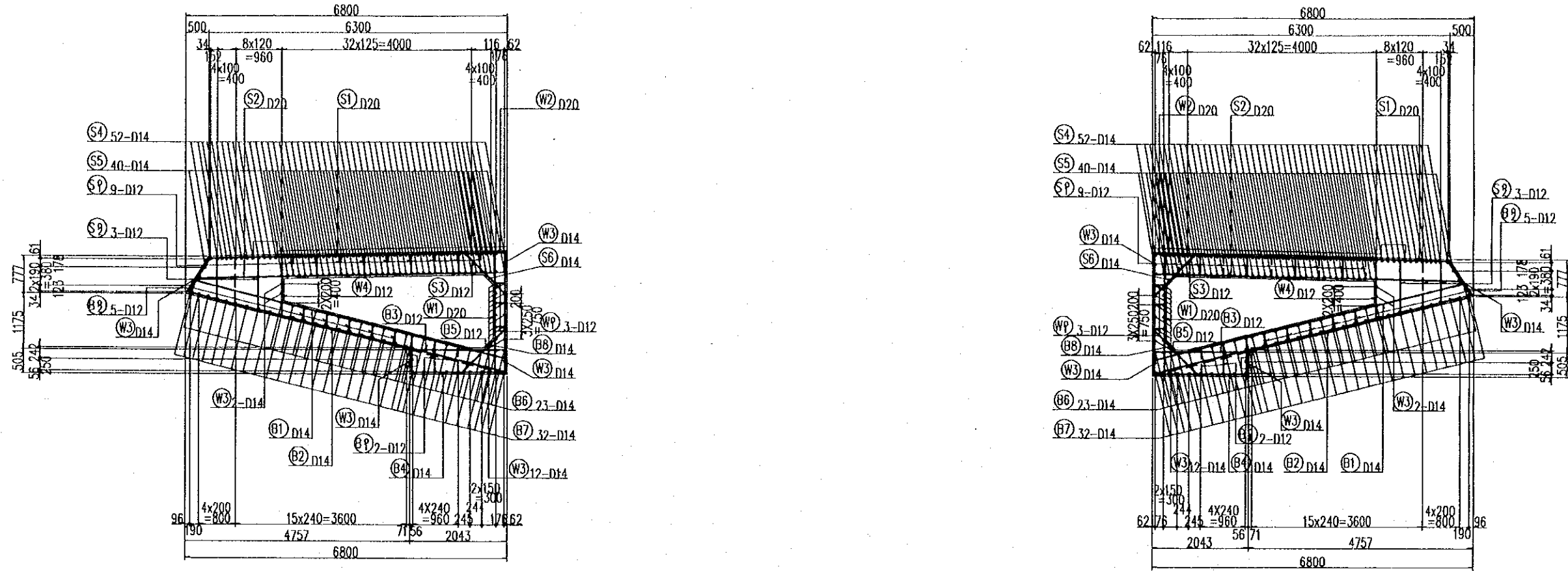
- Ⓢ7 102-D14x3900
- Ⓢ8 100-D14x3900
- Ⓢ9 4-D14x3900
- Ⓢ7 52-D14x3900
- Ⓢ8 53-D14x3900
- Ⓢ9 4-D14x3900
- Ⓢ5 42-D14x3900



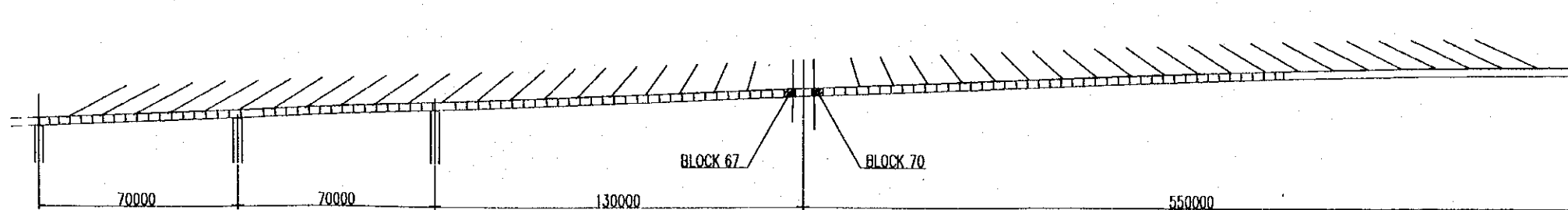
PROJECT NAME	IMPLEMENTATION AGENCY	EXECUTING AGENCY	JICA STUDY TEAM	PREPARED BY	CHECKED BY	APPROVED BY	DRAWING TITLE	DWG NO.
DETAILED DESIGN OF THE CAN THO BRIDGE CONSTRUCTION PROJECT	JICA JAPAN INTERNATIONAL COOPERATION AGENCY (JICA)	SOCIALIST REPUBLIC OF VIET NAM MINISTRY OF TRANSPORT (MOT) MY THUAN PROJECT MANAGEMENT UNIT	NIPPON KOEI CO., LTD.	S. Kiguchi	K. Matsumoto	K. Enomoto	CABLE STAYED BRIDGE SUPER STRUCTURE BAR ARRANGEMENT OF SEGMENT TYPE-10 (3)	P2/CS/0600
				NAME SIGNATURE DATE	S. Kiguchi K. Matsumoto 20/9/2000	K. Enomoto 5/10/2000		

BAR ARRANGEMENT OF SEGMENT SCALE 1:100

TYPE-11 (1)



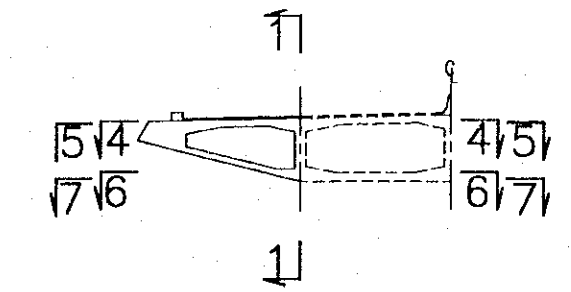
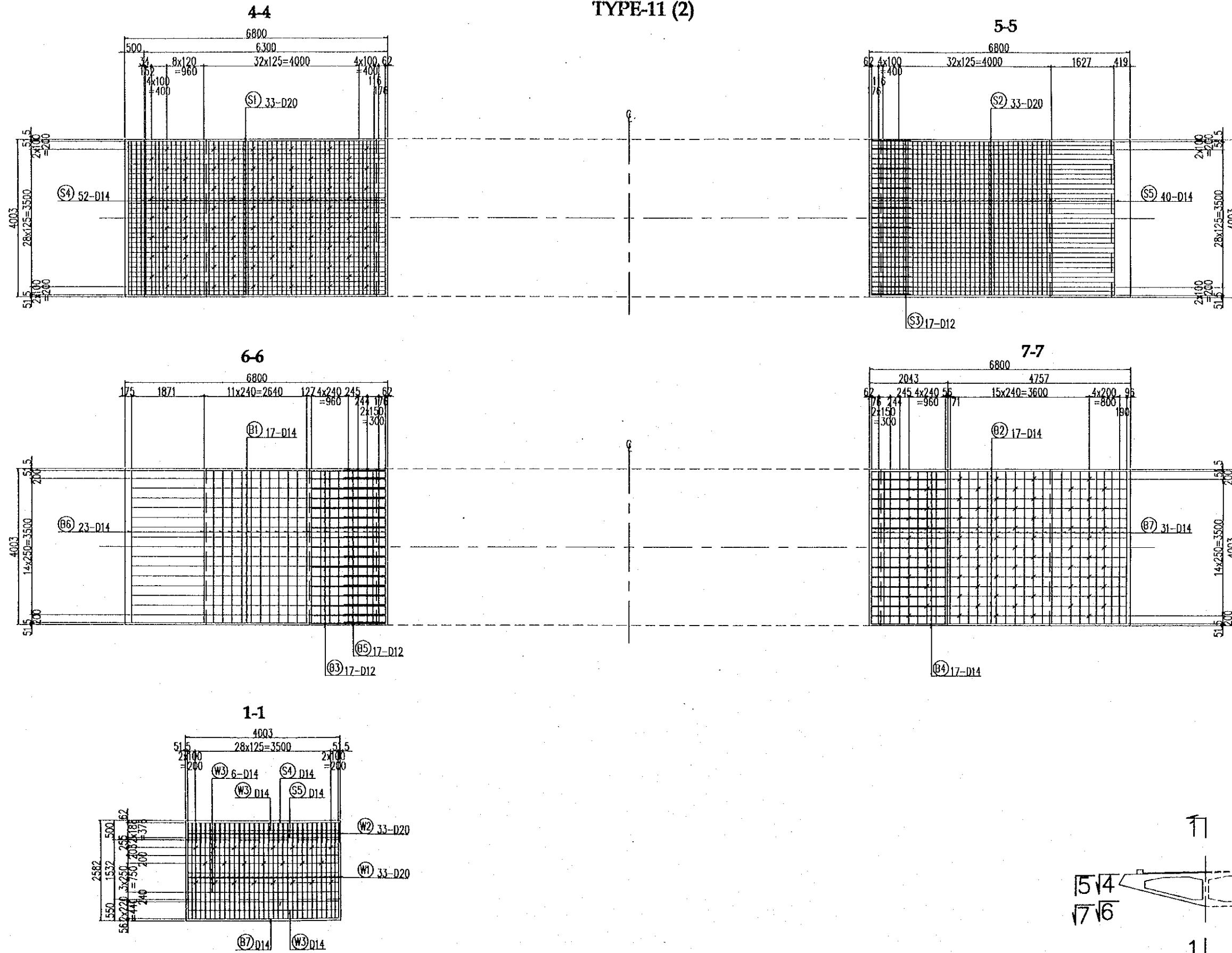
MARK



PROJECT NAME DETAILED DESIGN OF THE CAN THO BRIDGE CONSTRUCTION PROJECT	IMPLEMENTATION AGENCY JICA JAPAN INTERNATIONAL COOPERATION AGENCY (JICA)	EXECUTING AGENCY SOCIALIST REPUBLIC OF VIET NAM MINISTRY OF TRANSPORT (MOT) MY THUAN PROJECT MANAGEMENT UNIT	JICA STUDY TEAM NIPPON KOEI CO.,LTD.	PREPARED BY NAME S. Kiguchi	CHECKED BY NAME K. Matsumoto	APPROVED BY NAME K. Enomoto	DRAWING TITLE CABLE STAYED BRIDGE SUPER STRUCTURE BAR ARRANGEMENT OF SEGMENT TYPE-11 (1)	DWG NO. P2/CS/0610
				SIGNATURE <i>S. Kiguchi</i>	SIGNATURE <i>K. Matsumoto</i>	SIGNATURE <i>K. Enomoto</i>		
				DATE 20/9/2000	DATE 29/9/2000	DATE 5/10/2000		

BAR ARRANGEMENT OF SEGMENT SCALE 1:100

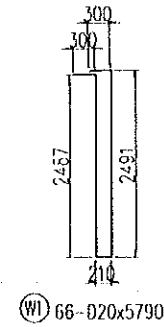
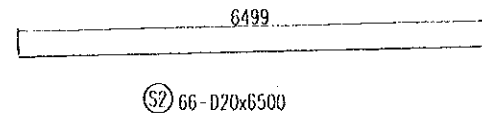
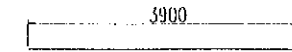
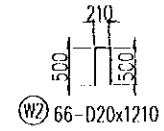
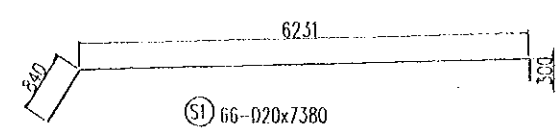
TYPE-11 (2)



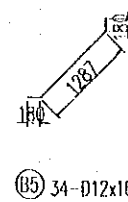
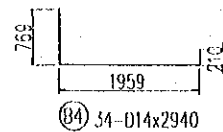
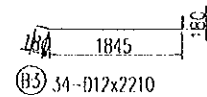
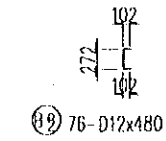
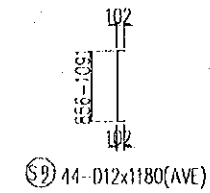
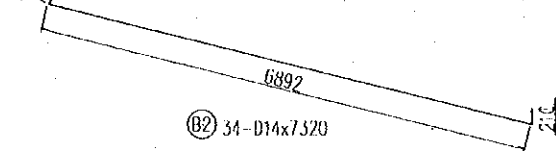
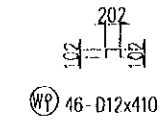
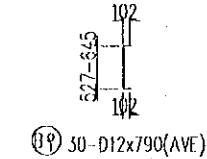
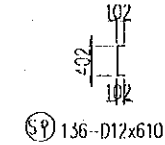
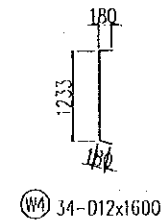
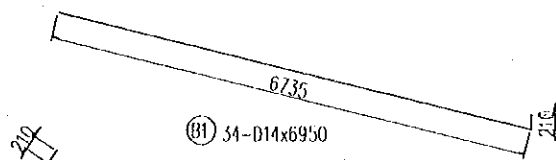
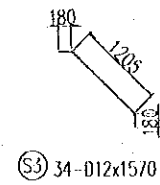
PROJECT NAME	IMPLEMENTATION AGENCY	EXECUTING AGENCY	JICA STUDY TEAM	PREPARED BY	CHECKED BY	APPROVED BY	DRAWING TITLE	DWG NO.
DETAILED DESIGN OF THE CAN THO BRIDGE CONSTRUCTION PROJECT	JICA JAPAN INTERNATIONAL COOPERATION AGENCY (JICA)	SOCIALIST REPUBLIC OF VIET NAM MINISTRY OF TRANSPORT (MOT) MY THUAN PROJECT MANAGEMENT UNIT	NIPON KOEI CO., LTD.	S. Kiguchi	K. Matsumoto	K. Enomoto	CABLE STAYED BRIDGE SUPER STRUCTURE BAR ARRANGEMENT OF SEGMENT TYPE-11 (1)	P2/CS/0620
				SIGNATURE: <i>S. Kiguchi</i>	SIGNATURE: <i>K. Matsumoto</i>	SIGNATURE: <i>K. Enomoto</i>		
				DATE: 20/9/2000	DATE: 29/9/2000	DATE: 5/10/2000		

BAR ARRANGEMENT OF SEGMENT SCALE 1:100

TYPE-11 (3)



- (S4) 104-D14x3900
- (S5) 80-D14x3900
- (S6) 2-D14x3900
- (B6) 46-D14x3900
- (B7) 64-D14x3900
- (B8) 2-D14x3900
- (W3) 36-D14x3900

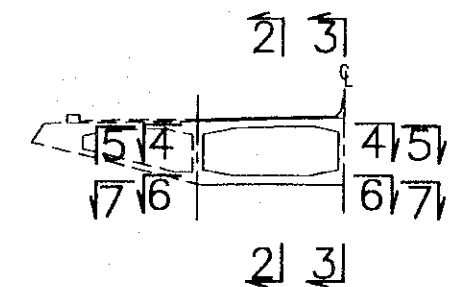
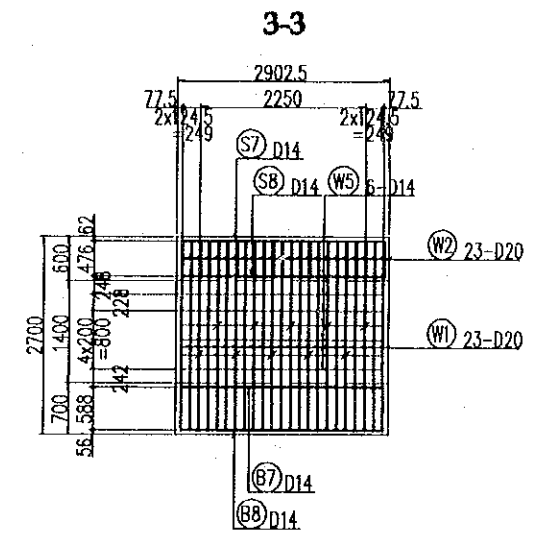
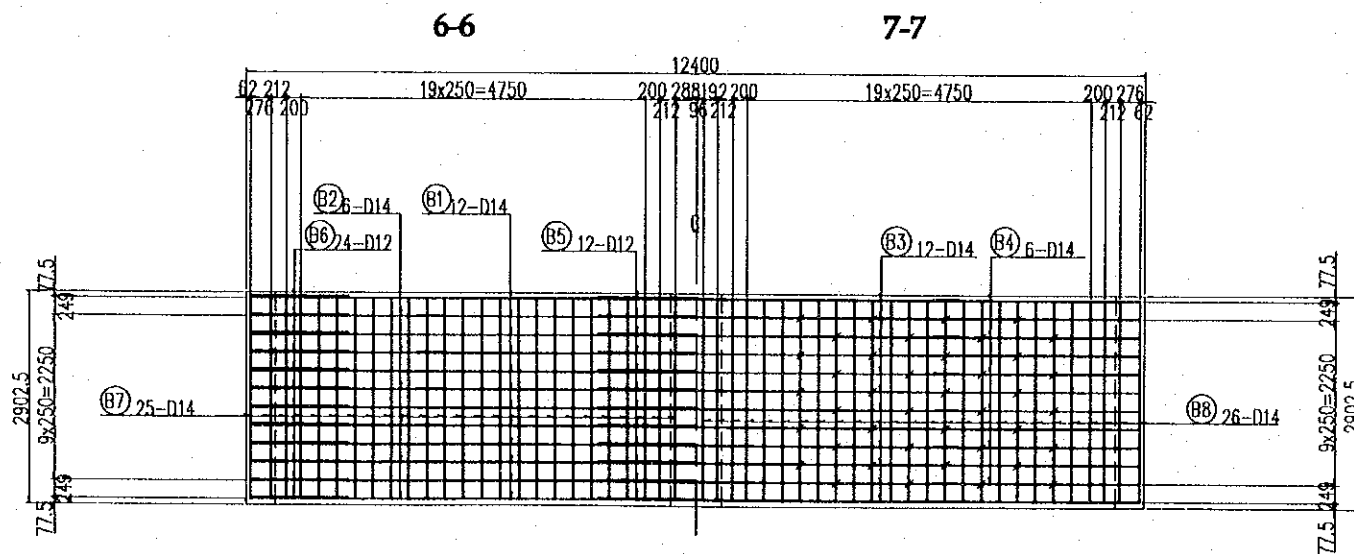
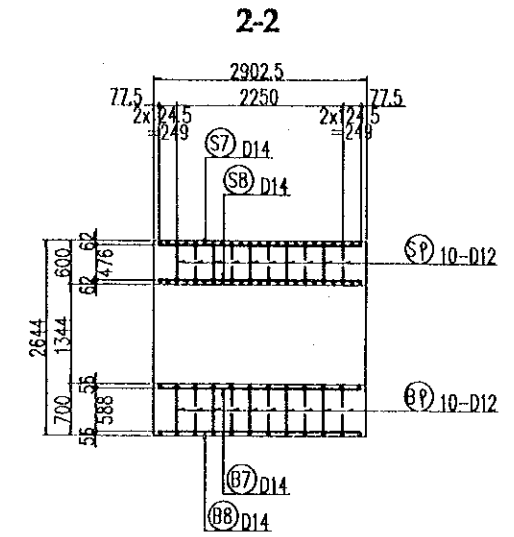
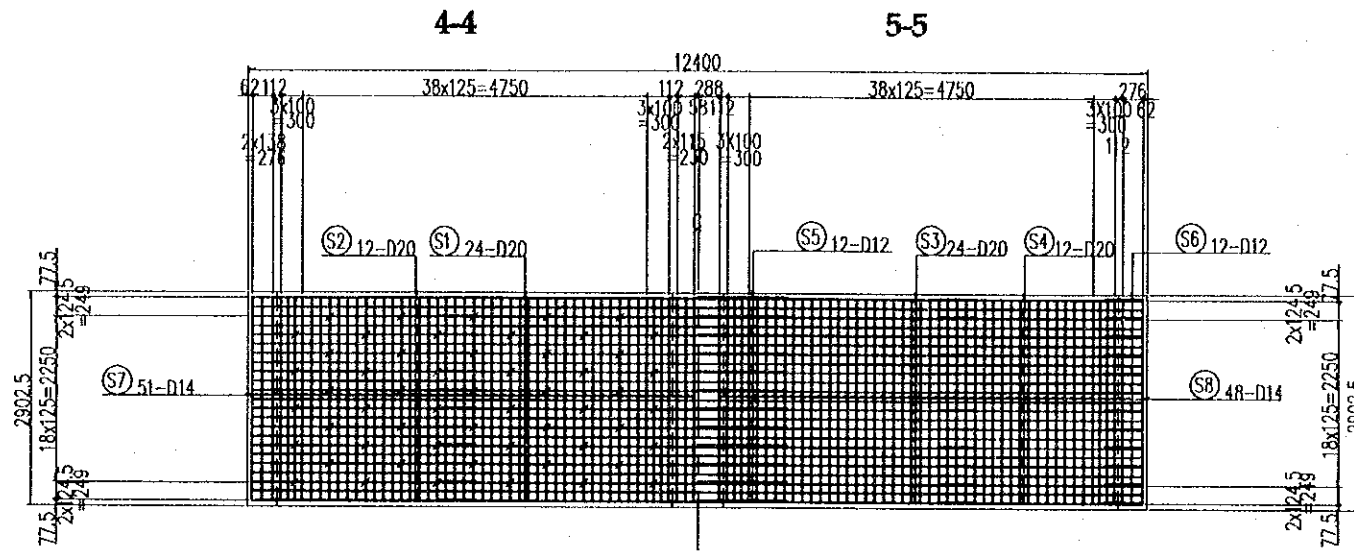


PROJECT NAME	IMPLEMENTATION AGENCY	EXECUTING AGENCY	JICA STUDY TEAM	PREPARED BY	CHECKED BY	APPROVED BY	DRAWING TITLE	DWG NO.
DETAILED DESIGN OF THE CAN THO BRIDGE CONSTRUCTION PROJECT	JICA JAPAN INTERNATIONAL COOPERATION AGENCY (JICA)	SOCIALIST REPUBLIC OF VIET NAM MINISTRY OF TRANSPORT (MOT) MY THUAN PROJECT MANAGEMENT UNIT	NIPPON KOEI CO., LTD.	S. Kiguchi	K. Matsumoto	K. Enomoto	CABLE STAYED BRIDGE SUPER STRUCTURE BAR ARRANGEMENT OF SEGMENT TYPE-11 (3)	P2/CS/0630
				DATE: 20/9/2000	DATE: 29/9/2000	DATE: 5/10/2000		

BAR ARRANGEMENT OF SEGMENT

SCALE 1:100

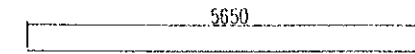
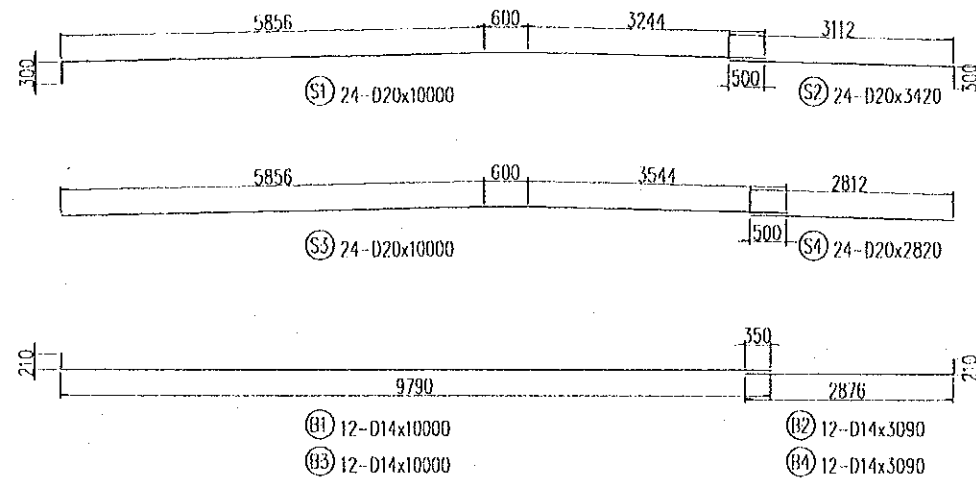
TYPE-12 (2)



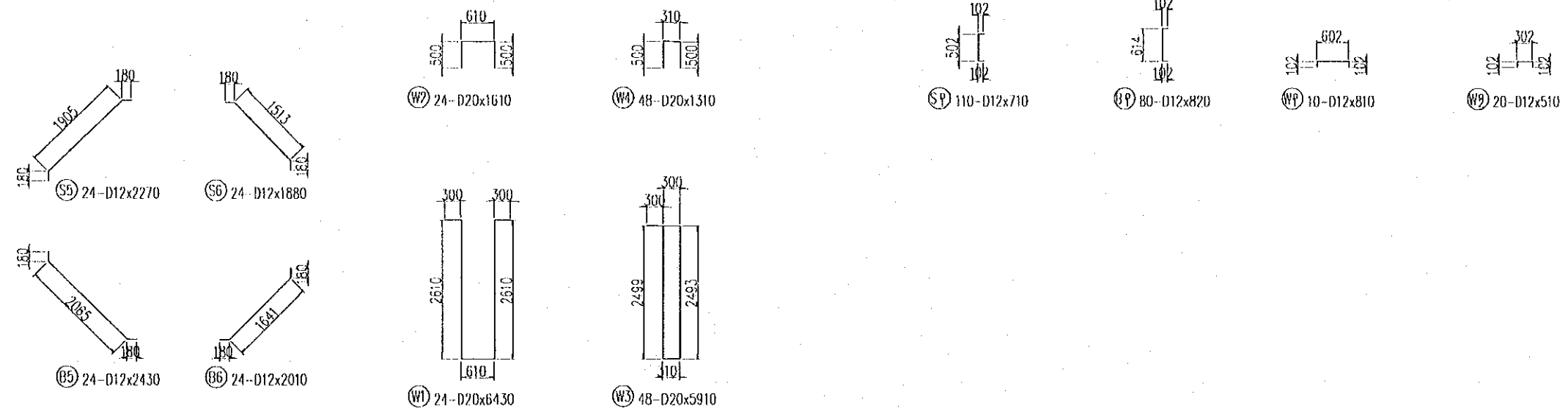
PROJECT NAME	IMPLEMENTATION AGENCY	EXECUTING AGENCY	JICA STUDY TEAM	PREPARED BY	CHECKED BY	APPROVED BY	DRAWING TITLE	DWG NO.
DETAILED DESIGN OF THE CAN THO BRIDGE CONSTRUCTION PROJECT	JICA JAPAN INTERNATIONAL COOPERATION AGENCY (JICA)	SOCIALIST REPUBLIC OF VIET NAM MINISTRY OF TRANSPORT (MOT) MY THUAN PROJECT MANAGEMENT UNIT	NIPPON KOEI CO.,LTD.	NAME: S. Kiguchi SIGNATURE: <i>S. Kiguchi</i> DATE: 20/9/2000	NAME: K. Matsumoto SIGNATURE: <i>K. Matsumoto</i> DATE: 29/9/2000	NAME: K. Enomoto SIGNATURE: <i>K. Enomoto</i> DATE: 5/10/2000	CABLE STAYED BRIDGE SUPER STRUCTURE BAR ARRANGEMENT OF SEGMENT TYPE-12 (2)	P2/CS/0650

BAR ARRANGEMENT OF SEGMENT SCALE 1:100

TYPE-12 (3)



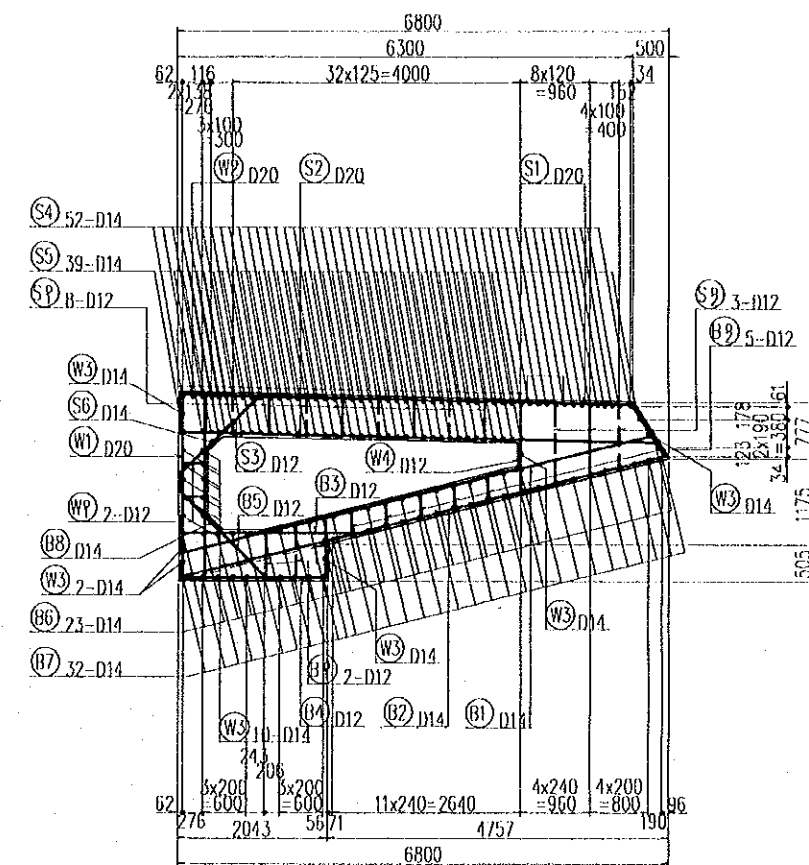
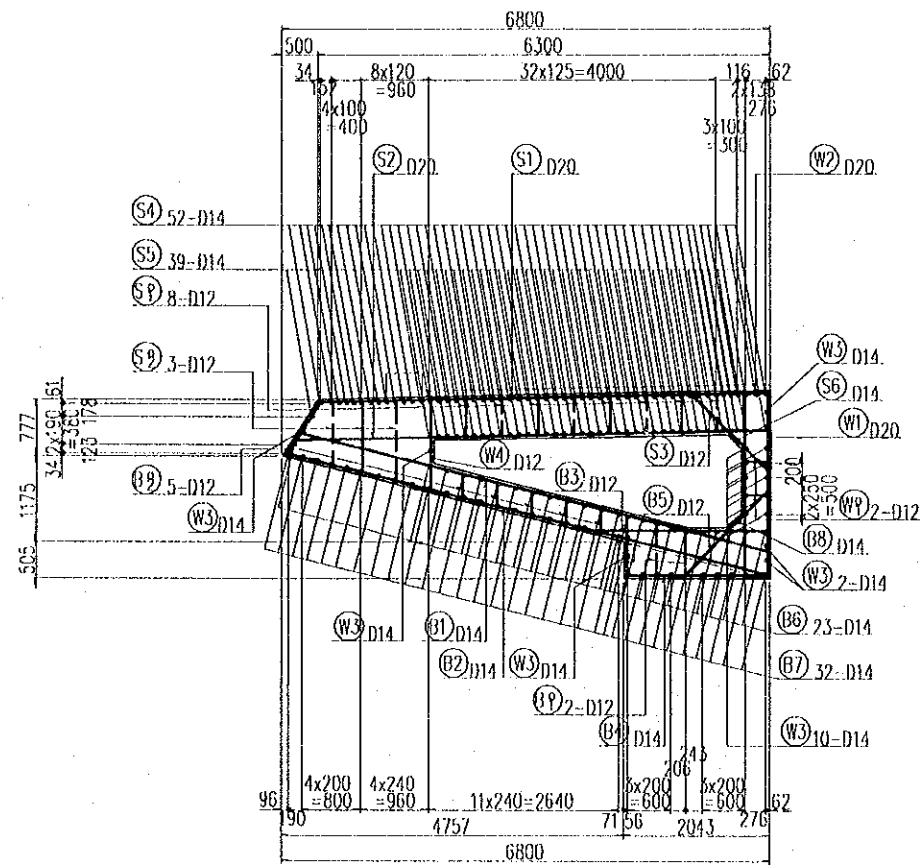
- Ⓢ7 102-D14x2750
- Ⓢ8 96-D14x2750
- Ⓢ9 4-D14x2750
- Ⓢ7 50-D14x2750
- Ⓢ8 52-D14x2750
- Ⓢ9 4-D14x2750
- Ⓢ5 38-D14x2750



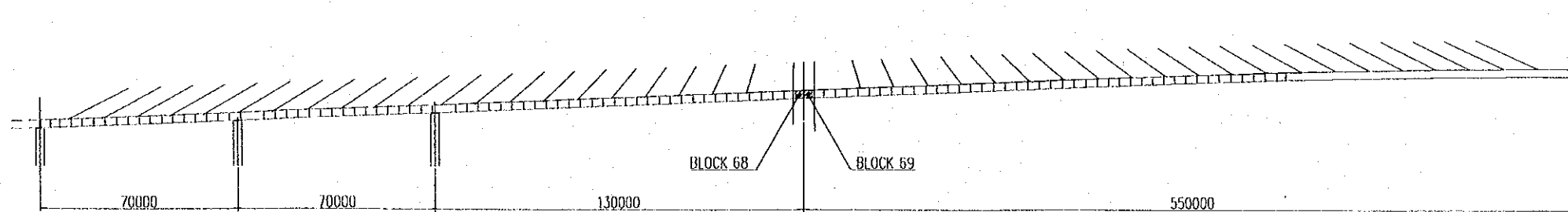
PROJECT NAME	IMPLEMENTATION AGENCY	EXECUTING AGENCY	JICA STUDY TEAM	PREPARED BY	CHECKED BY	APPROVED BY	DRAWING TITLE	DWG NO.
DETAILED DESIGN OF THE CAN THO BRIDGE CONSTRUCTION PROJECT	JICA JAPAN INTERNATIONAL COOPERATION AGENCY (JICA)	SOCIALIST REPUBLIC OF VIET NAM MINISTRY OF TRANSPORT (MOT) MY THUAN PROJECT MANAGEMENT UNIT	NIPPON KOEI CO.,LTD.	S. Kiguchi	K. Matsumoto	K. Enomoto	CABLE STAYED BRIDGE SUPER STRUCTURE BAR ARRANGEMENT OF SEGMENT TYPE-12 (3)	P2/CS/0660
				DATE: 20/9/2000	DATE: 29/9/2000	DATE: 5/10/2000		

BAR ARRANGEMENT OF SEGMENT SCALE 1:100

TYPE-13 (1)



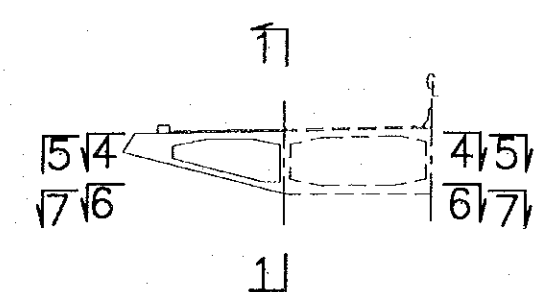
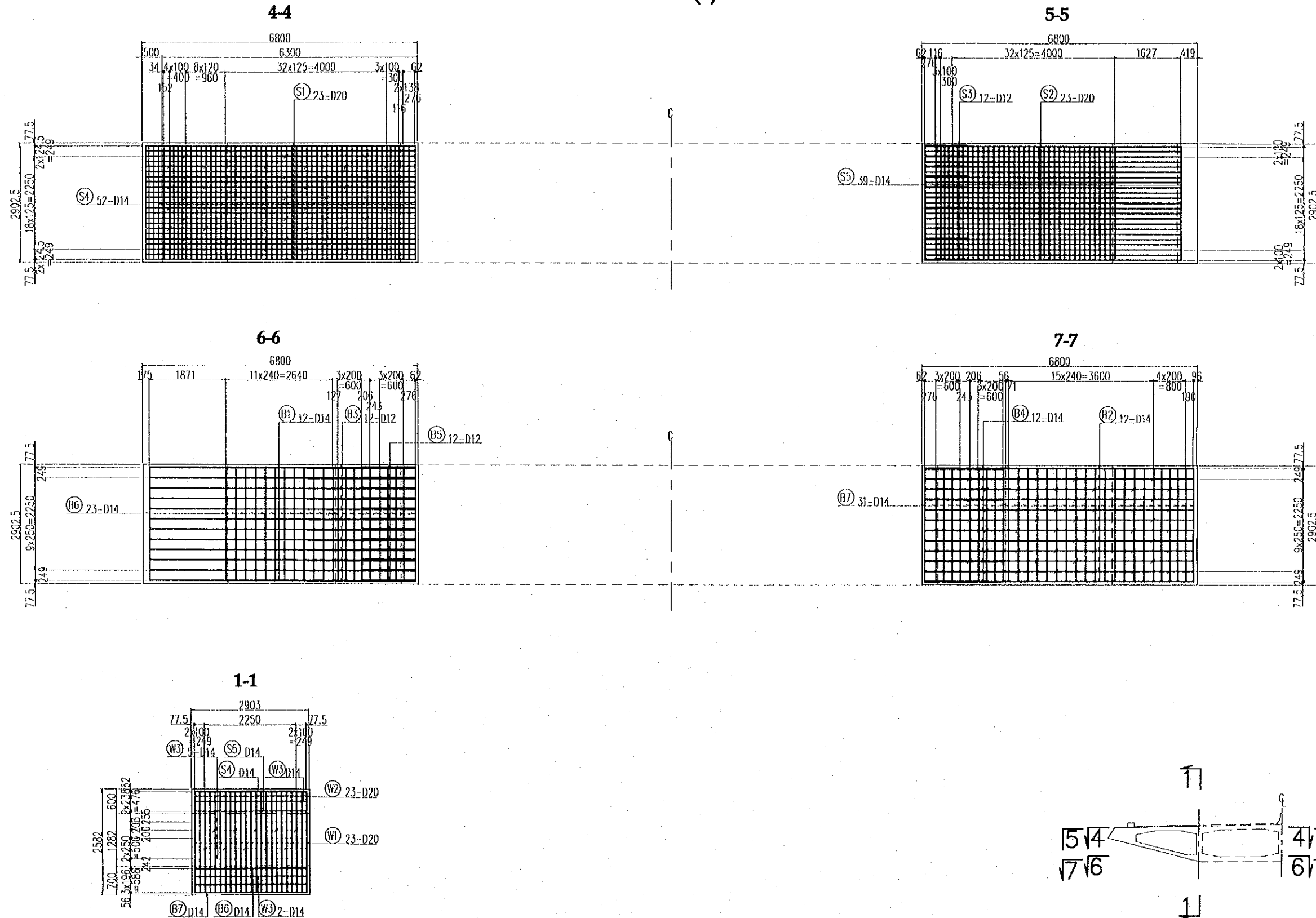
MARK



PROJECT NAME	IMPLEMENTATION AGENCY	EXECUTING AGENCY	JICA STUDY TEAM	PREPARED BY	CHECKED BY	APPROVED BY	DRAWING TITLE	DWG NO.
DETAILED DESIGN OF THE CAN THO BRIDGE CONSTRUCTION PROJECT	JICA JAPAN INTERNATIONAL COOPERATION AGENCY (JICA)	SOCIALIST REPUBLIC OF VIET NAM MINISTRY OF TRANSPORT (MOT) MY THUAN PROJECT MANAGEMENT UNIT	NIPPON KOEI CO.,LTD.	S. Kiguchi	K. Matsumoto	K. Enomoto	CABLE STAYED BRIDGE SUPER STRUCTURE BAR ARRANGEMENT OF SEGMENT TYPE-13 (1)	P2/CS/0670
				DATE: 20/9/2000	DATE: 29/9/2000	DATE: 5/10/2000		

BAR ARRANGEMENT OF SEGMENT SCALE 1:100

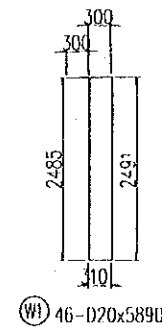
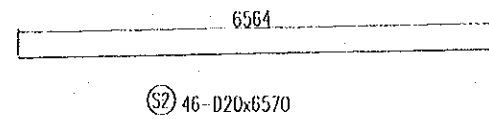
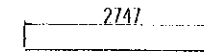
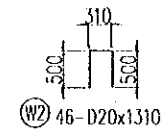
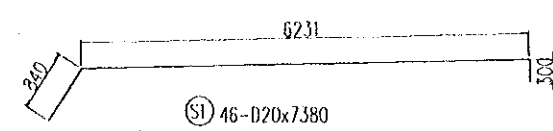
TYPE-13 (2)



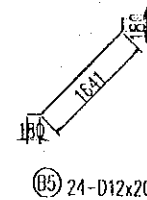
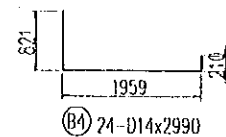
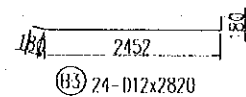
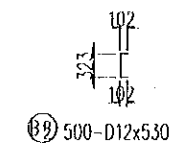
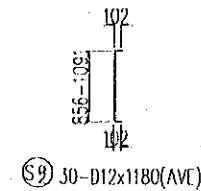
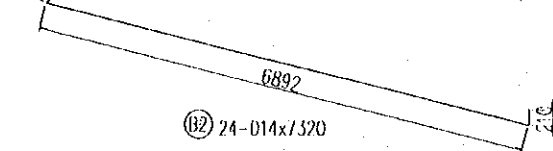
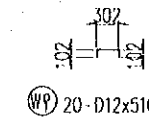
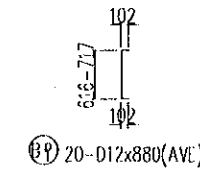
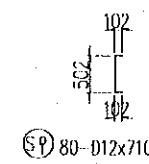
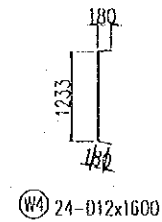
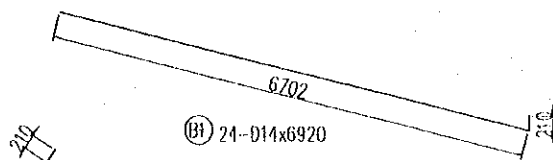
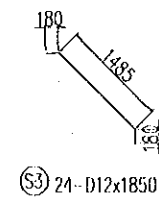
PROJECT NAME	IMPLEMENTATION AGENCY	EXECUTING AGENCY	JICA STUDY TEAM	PREPARED BY	CHECKED BY	APPROVED BY	DRAWING TITLE	DWG NO.
DETAILED DESIGN OF THE CAN THO BRIDGE CONSTRUCTION PROJECT	JAPAN INTERNATIONAL COOPERATION AGENCY (JICA)	SOCIALIST REPUBLIC OF VIET NAM MINISTRY OF TRANSPORT (MOT) MY THUAN PROJECT MANAGEMENT UNIT	NIPPON KOEI CO.,LTD.	NAME: S. Kiguchi SIGNATURE: <i>S. Kiguchi</i> DATE: 20/9/2000	NAME: K. Matsumoto SIGNATURE: <i>K. Matsumoto</i> DATE: 29/9/2000	NAME: K. Enomoto SIGNATURE: <i>K. Enomoto</i> DATE: 5/10/2000	CABLE STAYED BRIDGE SUPER STRUCTURE BAR ARRANGEMENT OF SEGMENT TYPE-13 (2)	P2/CS/0680

BAR ARRANGEMENT OF SEGMENT SCALE 1:100

TYPE-13 (3)

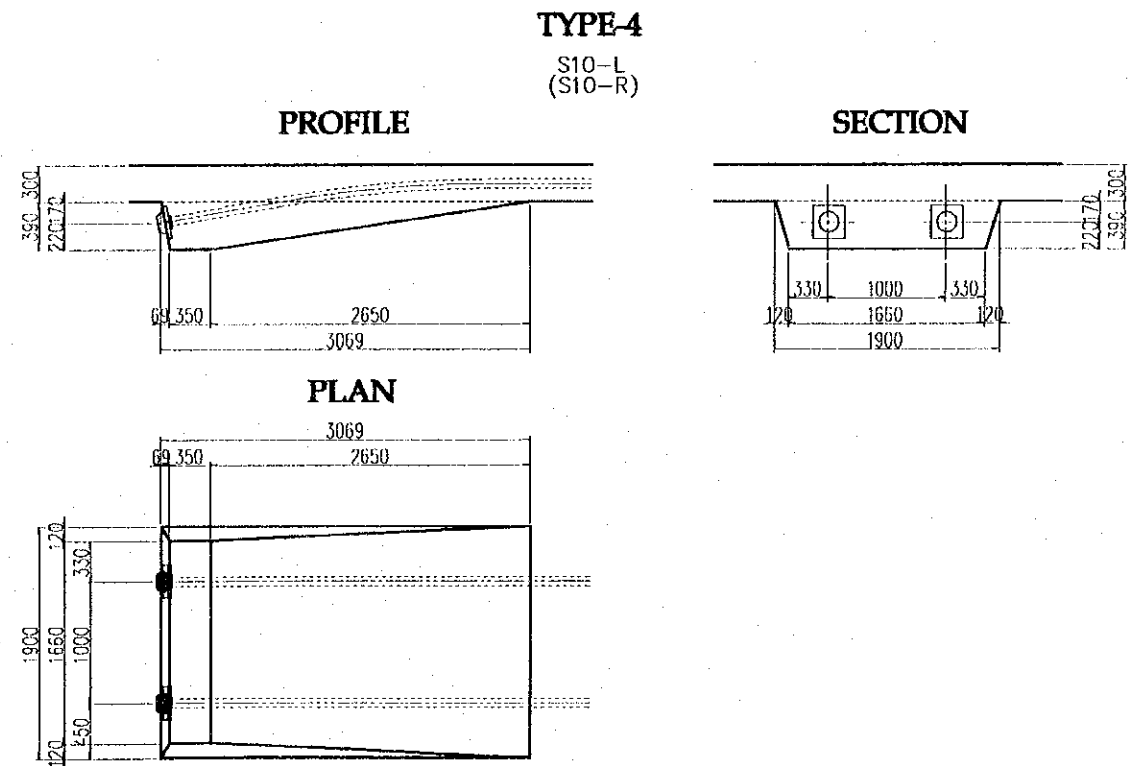
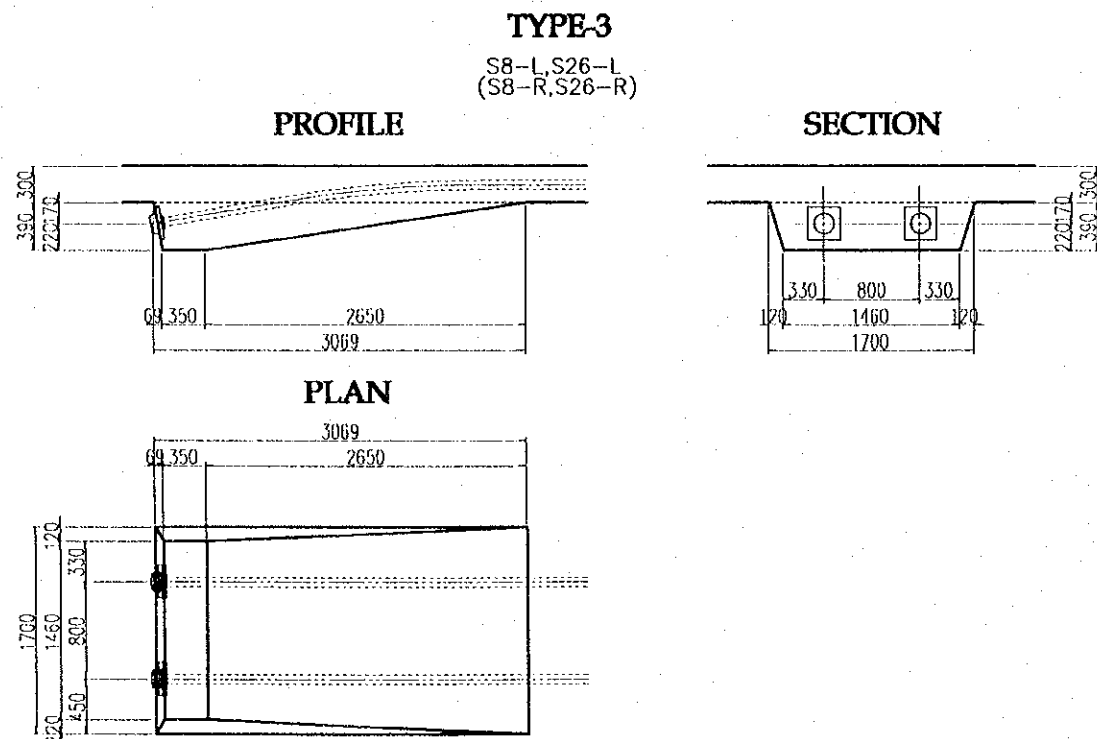
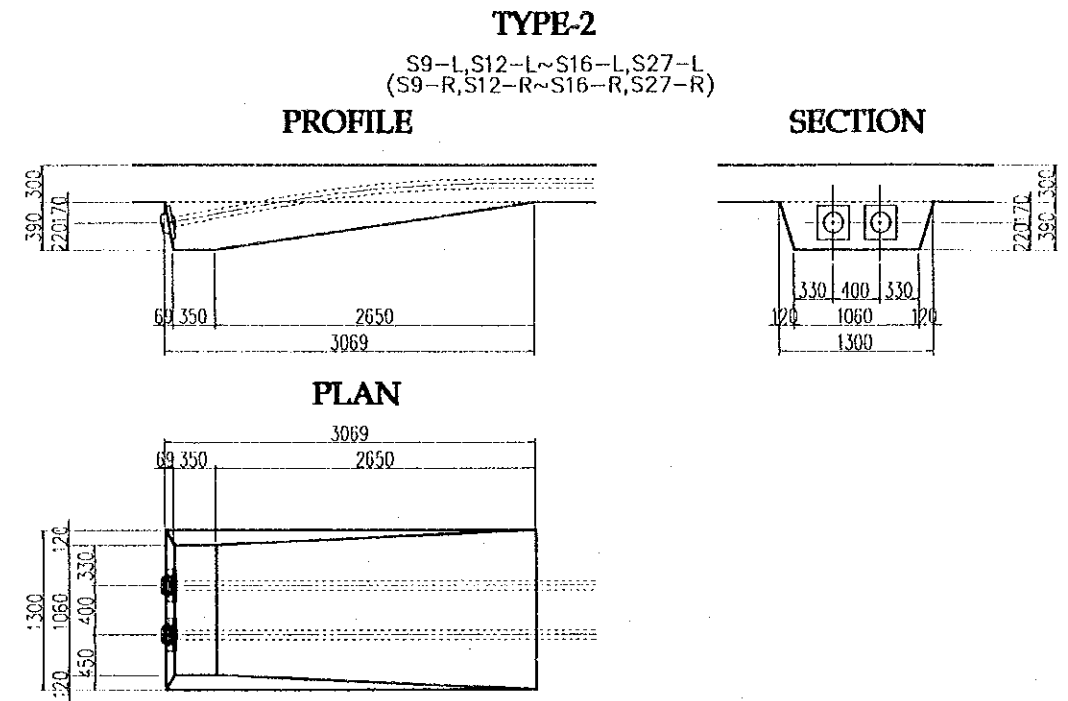
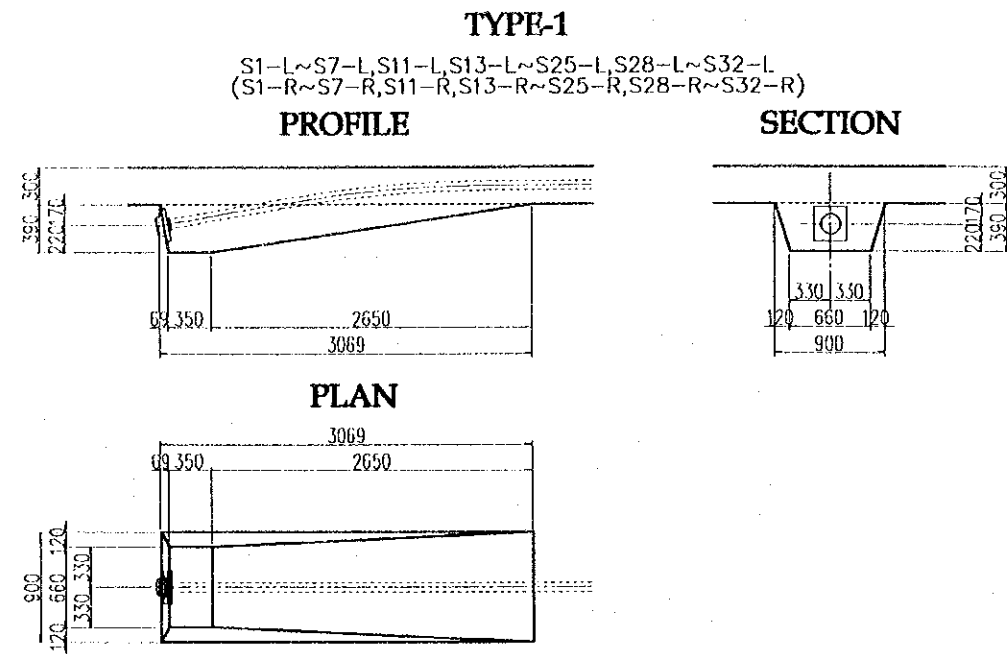


- ⑤ 78-D14x2750
- ⑥ 2-D14x2750
- ⑧ 46-D14x2750
- ⑦ 64-D14x2750
- ⑧ 2-D14x2750
- ③ 32-D14x2750



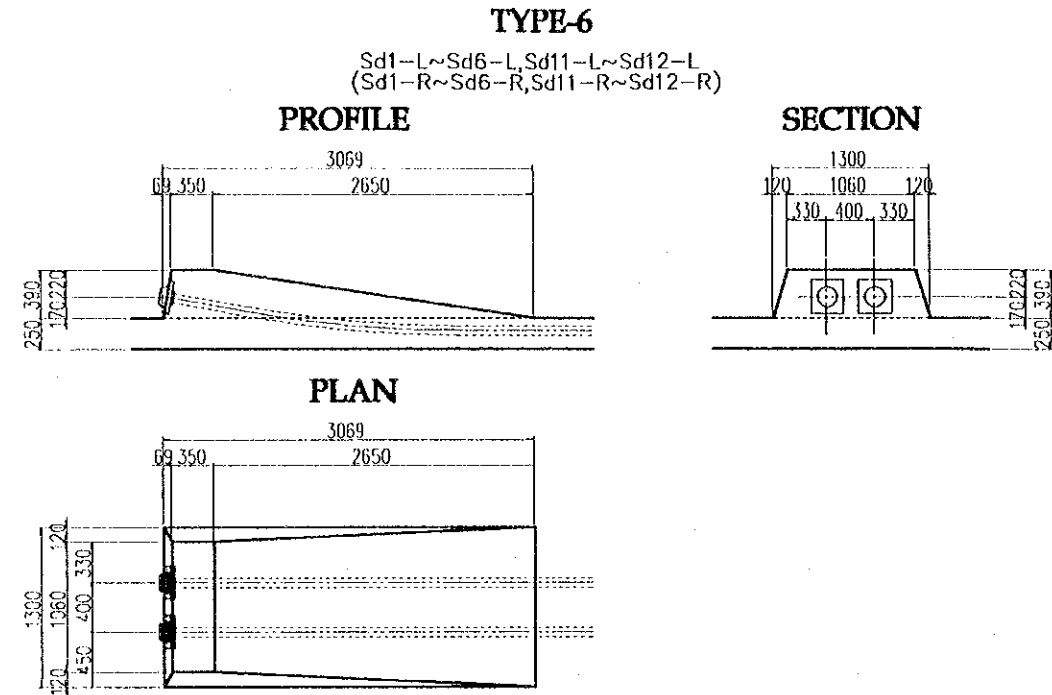
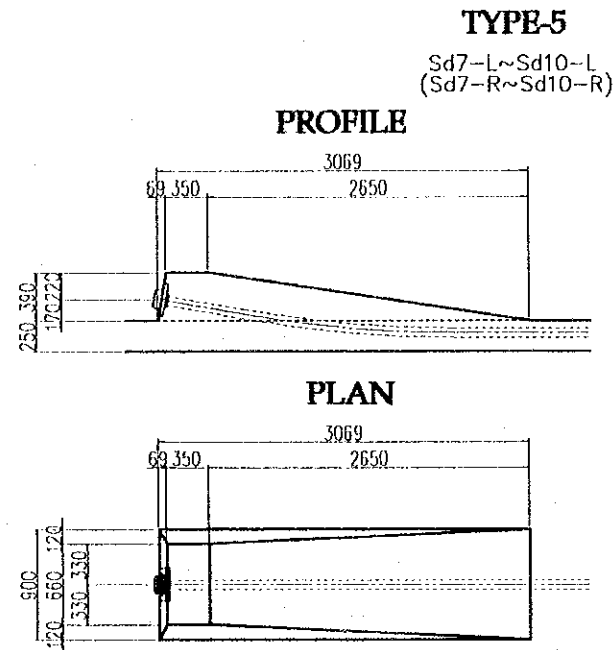
PROJECT NAME	IMPLEMENTATION AGENCY	EXECUTING AGENCY	JICA STUDY TEAM	PREPARED BY	CHECKED BY	APPROVED BY	DRAWING TITLE	DWG NO.
DETAILED DESIGN OF THE CAN THO BRIDGE CONSTRUCTION PROJECT	JICA JAPAN INTERNATIONAL COOPERATION AGENCY (JICA)	SOCIALIST REPUBLIC OF VIET NAM MINISTRY OF TRANSPORT (MOT) MY THUAN PROJECT MANAGEMENT UNIT	NIPPON KOEI CO.,LTD.	S. Kiguchi 20/9/2000	K. Matsumoto 29/9/2000	K. Enomoto 5/10/2000	CABLE STAYED BRIDGE SUPER STRUCTURE BAR ARRANGEMENT OF SEGMENT TYPE-13 (3)	P2/CS/0690

DETEIL OF ANCHORAGE FOR GIRDER (1) SCALE 1:60



PROJECT NAME	IMPLEMENTATION AGENCY	EXECUTING AGENCY	JICA STUDY TEAM		PREPARED BY	CHECKED BY	APPROVED BY	DRAWING TITLE	DWG NO.
DETAILED DESIGN OF THE CAN THO BRIDGE CONSTRUCTION PROJECT	JAPAN INTERNATIONAL COOPERATION AGENCY (JICA)	SOCIALIST REPUBLIC OF VIET NAM MINISTRY OF TRANSPORT (MOT) MY THUAN PROJECT MANAGEMENT UNIT	NIPPON KOEI CO., LTD.	NAME	S. Kiguchi	K. Matsumoto	K. Enomoto	CABLE STAYED BRIDGE SUPER STRUCTURE DETEIL OF ANCHORAGE FOR GIRDER (1)	P2/CS/0700
				SIGNATURE	<i>S. Kiguchi</i>	<i>K. Matsumoto</i>	<i>K. Enomoto</i>		
				DATE	20/9/2000	29/9/2000	5/10/2000		

DETEIL OF ANCHORAGE FOR GIRDER (2) SCALE 1:60



CABLE No.	TYPE-1	TYPE-2	TYPE-3	TYPE-4	CABLE No.	TYPE-1	TYPE-2	TYPE-3	TYPE-4
S1-L(S1-R)	16	-	-	-	S17-L(S17-R)	32	-	-	-
S2-L(S2-R)	32	-	-	-	S18-L(S18-R)	32	-	-	-
S3-L(S3-R)	32	-	-	-	S19-L(S19-R)	32	-	-	-
S4-L(S4-R)	32	-	-	-	S20-L(S20-R)	32	-	-	-
S5-L(S5-R)	16	-	-	-	S21-L(S21-R)	32	-	-	-
S6-L(S6-R)	32	-	-	-	S22-L(S22-R)	32	-	-	-
S7-L(S7-R)	32	-	-	-	S23-L(S23-R)	16	-	-	-
S8-L(S8-R)	-	-	16	-	S24-L(S24-R)	32	-	-	-
S9-L(S9-R)	-	16	-	-	S25-L(S25-R)	32	-	-	-
S10-L(S10-R)	-	-	-	16	S26-L(S26-R)	-	-	16	-
S11-L(S11-R)	32	-	-	-	S27-L(S27-R)	-	16	-	-
S12-L(S12-R)	-	16	-	-	S28-L(S28-R)	32	-	-	-
S13-L(S13-R)	16	16	-	-	S29-L(S29-R)	32	-	-	-
S14-L(S14-R)	16	16	-	-	S30-L(S30-R)	16	-	-	-
S15-L(S15-R)	16	16	-	-	S31-L(S31-R)	32	-	-	-
S16-L(S16-R)	16	16	-	-	S32-L(S32-R)	16	-	-	-

CABLE No.	TYPE-5	TYPE-6
Sd1-L(Sd1-R)	-	8
Sd2-L(Sd2-R)	-	16
Sd3-L(Sd3-R)	-	16
Sd4-L(Sd4-R)	-	16
Sd5-L(Sd5-R)	-	16
Sd6-L(Sd6-R)	-	16
Sd7-L(Sd7-R)	16	-
Sd8-L(Sd8-R)	16	-
Sd9-L(Sd9-R)	16	-
Sd10-L(Sd10-R)	16	-
Sd11-L(Sd11-R)	-	16
Sd12-L(Sd12-R)	-	16

PROJECT NAME DETAILED DESIGN OF THE CAN THO BRIDGE CONSTRUCTION PROJECT	IMPLEMENTATION AGENCY JAPAN INTERNATIONAL COOPERATION AGENCY (JICA)	EXECUTING AGENCY SOCIALIST REPUBLIC OF VIET NAM MINISTRY OF TRANSPORT (MOT) MY THUAN PROJECT MANAGEMENT UNIT	JICA STUDY TEAM NIPPON KOEI CO., LTD.	NAME	S. Kiguchi	CHECKED BY	K. Matsumoto	APPROVED BY	DRAWING TITLE CABLE STAYED BRIDGE SUPER STRUCTURE DETEIL OF ANCHORAGE FOR GIRDER (2)	DWG NO. P2/CS/0710
				SIGNATURE	<i>S. Kiguchi</i>	<i>K. Matsumoto</i>	<i>K. Enomoto</i>			
				DATE	20/9/2000	29/9/2000	5/10/2000			

TYPE-1

BAR ARRANGEMENT OF ANCHORAGE FOR GIRDER (1)

TYPE-2

S1-L~S7-L, S11-L, S13-L~S25-L, S28-L~S32-L
(S1-R~S7-R, S11-R, S13-R~S25-R, S28-R~S32-R)

SCALE 1:60

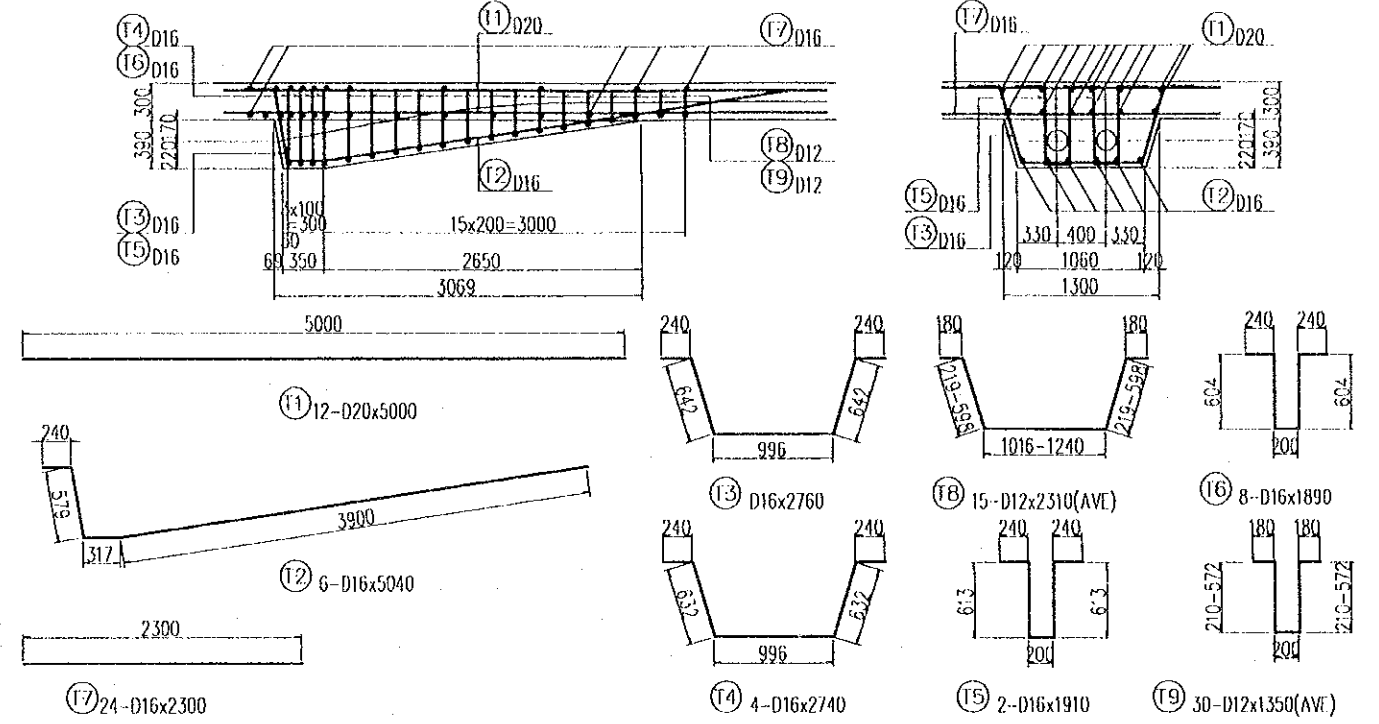
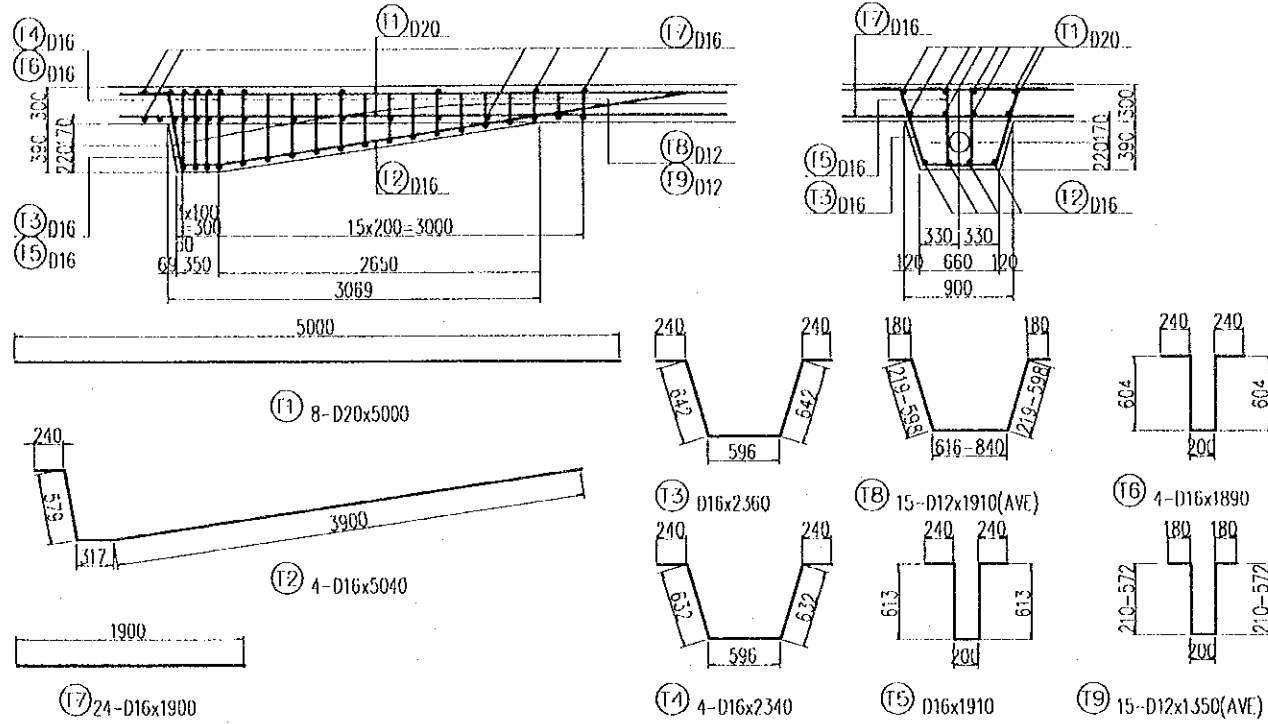
S9-L, S12-L~S16-L, S27-L
(S9-R, S12-R~S16-R, S27-R)

PROFILE

SECTION

PROFILE

SECTION



TYPE-3

S8-L, S26-L (S8-R, S26-R)

TYPE-4

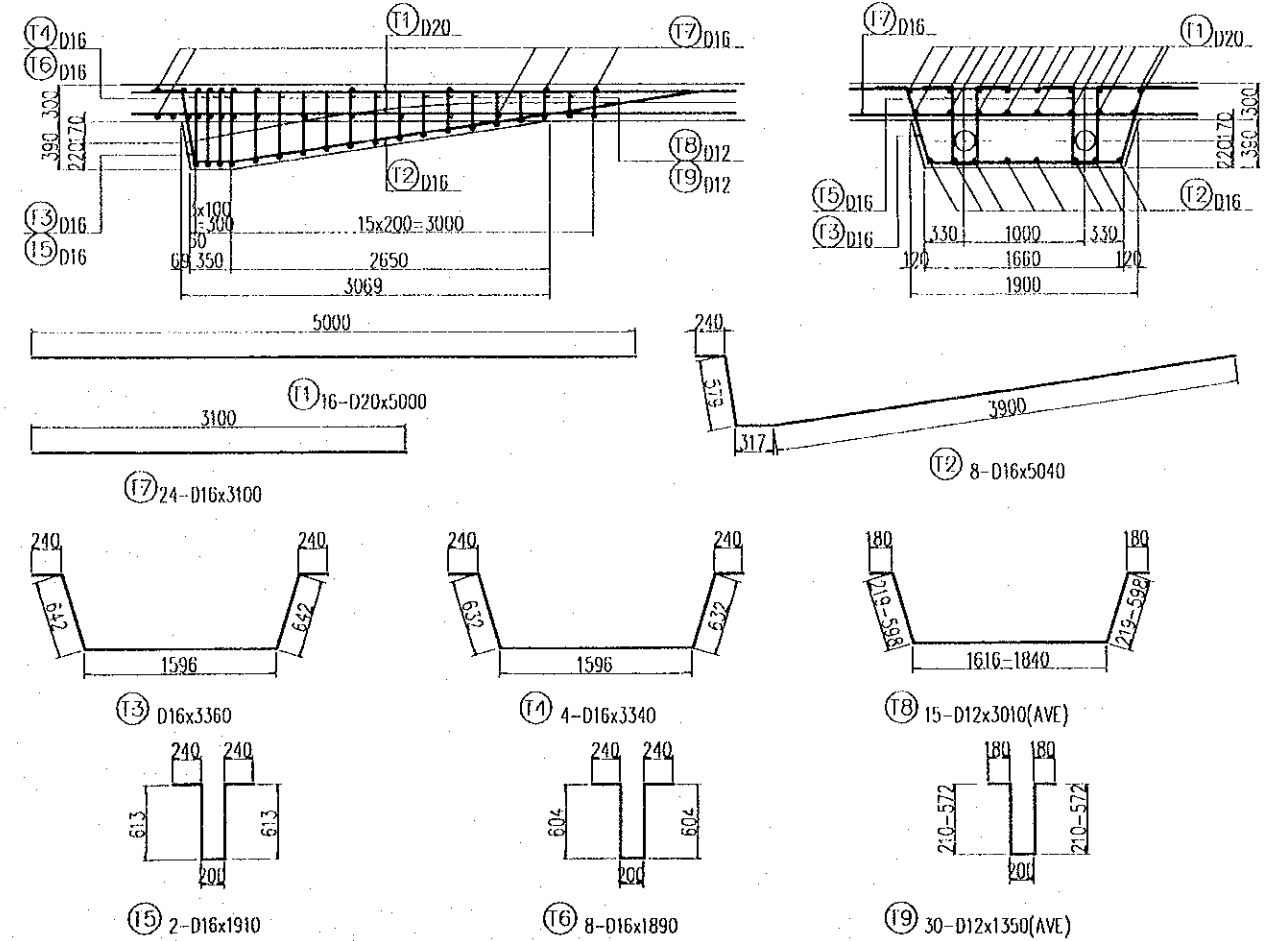
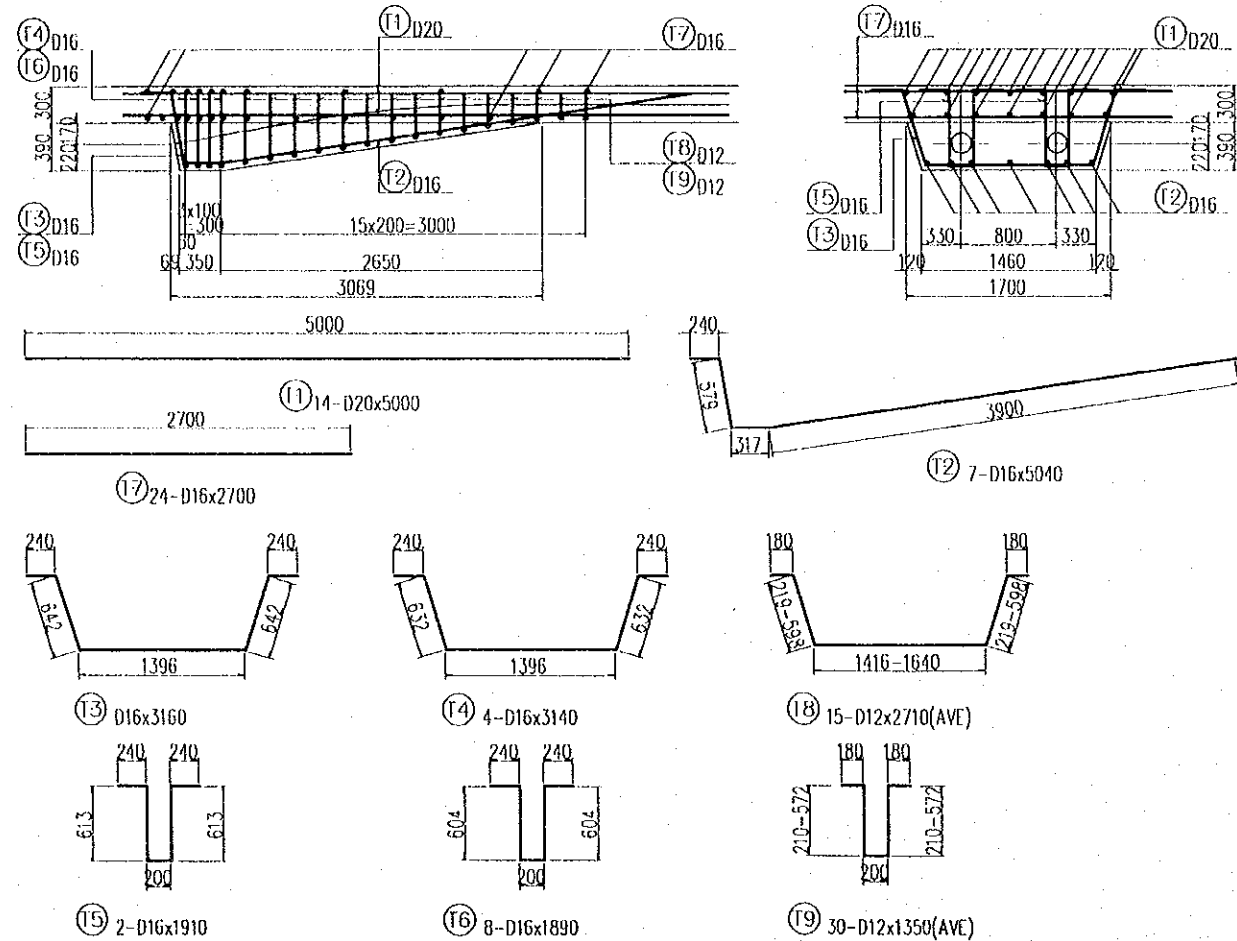
S10-L (S10-R)

PROFILE

SECTION

PROFILE

SECTION



PROJECT NAME DETAILED DESIGN OF THE CAN THO BRIDGE CONSTRUCTION PROJECT	IMPLEMENTATION AGENCY JICA JAPAN INTERNATIONAL COOPERATION AGENCY (JICA)	EXECUTING AGENCY SOCIALIST REPUBLIC OF VIET NAM MINISTRY OF TRANSPORT (MOT) MY THUAN PROJECT MANAGEMENT UNIT	JICA STUDY TEAM NIPPON KOEI CO.,LTD.	PREPARED BY	CHECKED BY	APPROVED BY	DRAWING TITLE CABLE STAYED BRIDGE SUPER STRUCTURE BAR ARRANGEMENT OF ANCHORAGE FOR GIRDER (1)	DWG NO. P2/CS/0720	
				NAME	S. Kiguchi	K. Matsumoto			K. Enomoto
				SIGNATURE	<i>S. Kiguchi</i>	<i>K. Matsumoto</i>			<i>K. Enomoto</i>
DATE	20/9/2000	29/9/2000	5/10/2000						

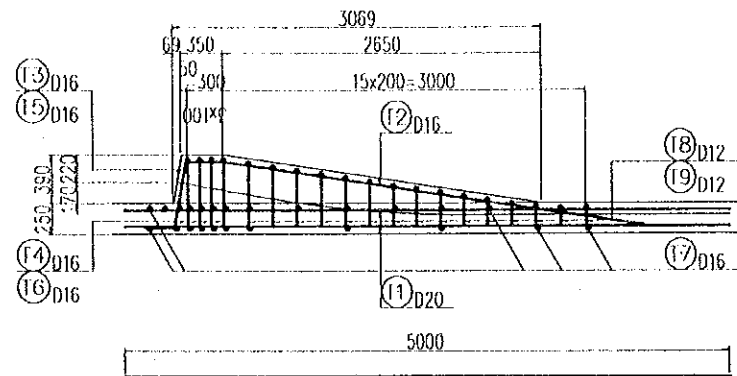
BAR ARRANGEMENT OF ANCHORAGE FOR GIRDER (2)

SCALE 1:60

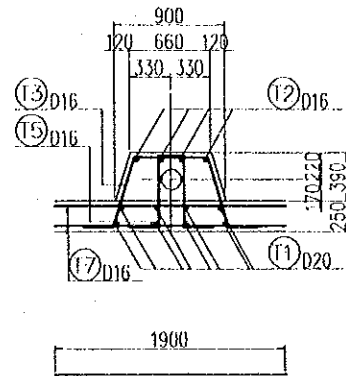
TYPE-5

Sd7-L~Sd10-L
(Sd7-R~Sd10-R)

PROFILE

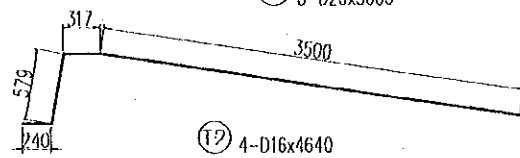


SECTION

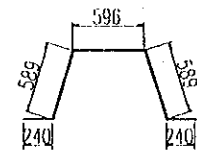


(1) 8-D20x5000

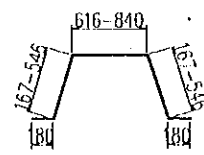
(7) 24-D16x1900



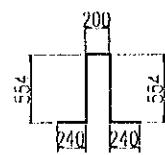
(2) 4-D16x4640



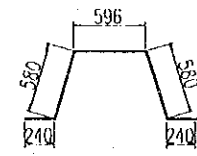
(13) D16x2260



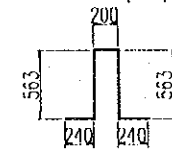
(18) 15-D12x1810(AVC)



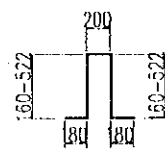
(16) 4-D16x1790



(14) 4-D16x2240



(15) D16x1810

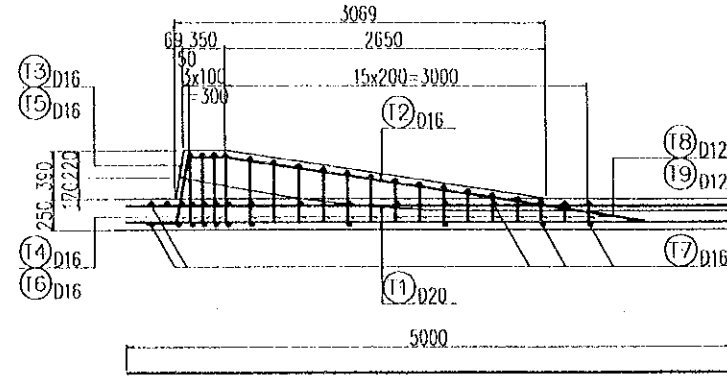


(19) 15-D12x1250(AVC)

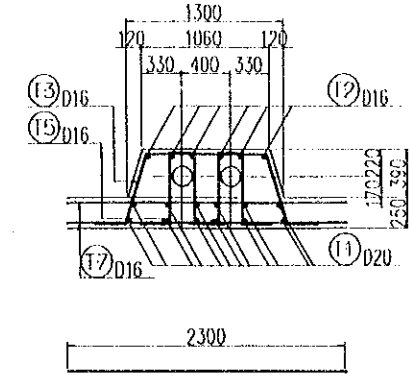
TYPE-6

Sd1-L~Sd6-L, Sd11-L~Sd12-L
(Sd1-R~Sd6-R, Sd11-R~Sd12-R)

PROFILE

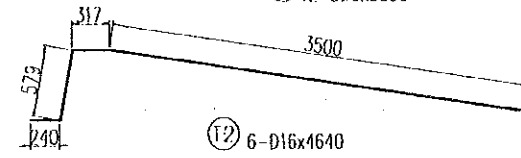


SECTION

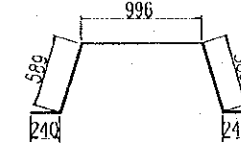


(1) 12-D20x5000

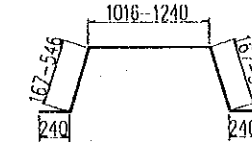
(7) 24-D16x2300



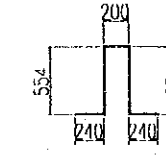
(2) 6-D16x4640



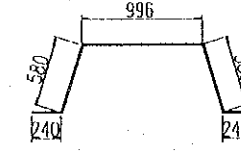
(13) D16x2660



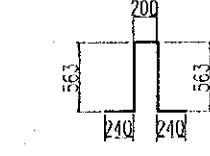
(18) 15-D12x2210(AVC)



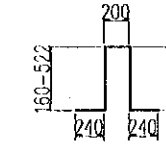
(16) 4-D16x1790



(14) 4-D16x2640



(15) D16x1810



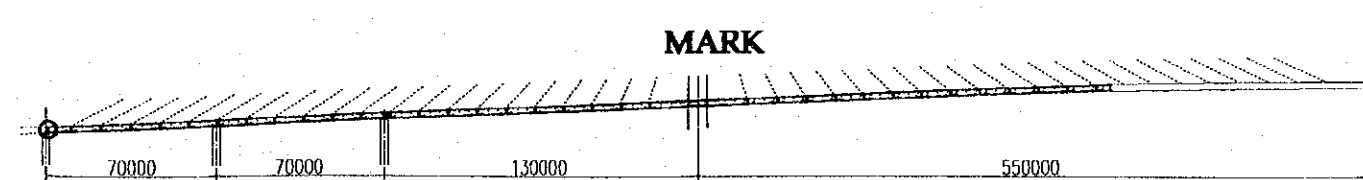
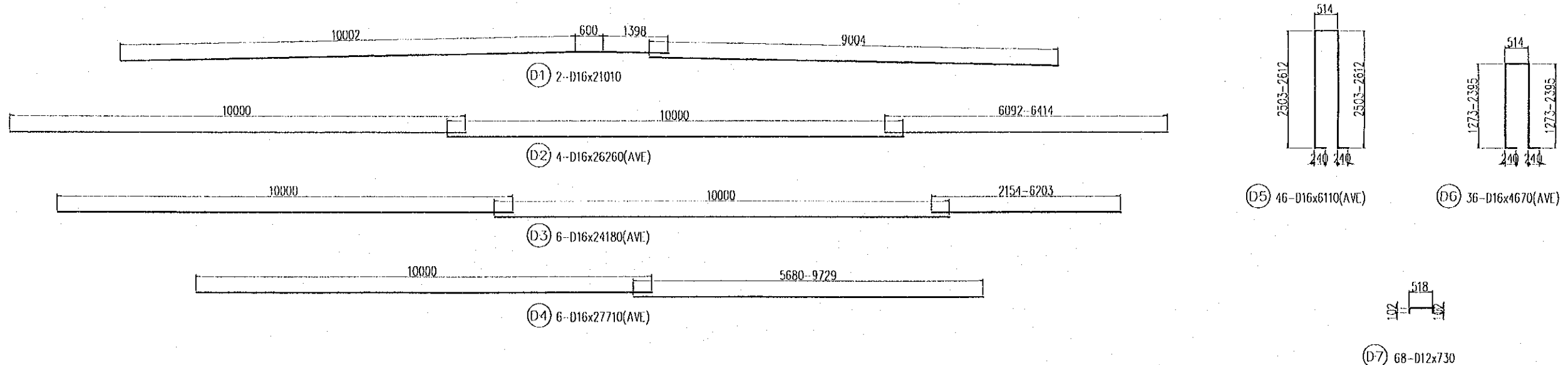
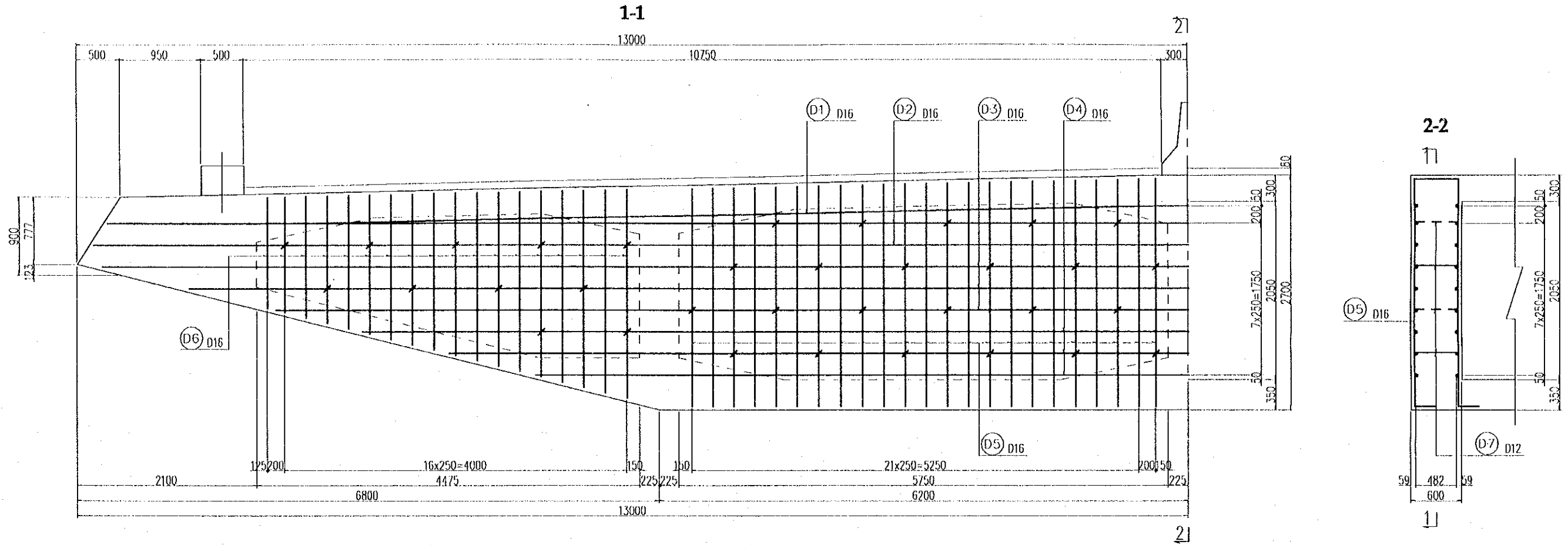
(19) 15-D12x1250(AVC)

CABLE No.	TYPE-1	TYPE-2	TYPE-3	TYPE-4	CABLE No.	TYPE-1	TYPE-2	TYPE-3	TYPE-4
S1-L(S1-R)	16	-	-	-	S17-L(S17-R)	32	-	-	-
S2-L(S2-R)	32	-	-	-	S18-L(S18-R)	32	-	-	-
S3-L(S3-R)	32	-	-	-	S19-L(S19-R)	32	-	-	-
S4-L(S4-R)	32	-	-	-	S20-L(S20-R)	32	-	-	-
S5-L(S5-R)	16	-	-	-	S21-L(S21-R)	32	-	-	-
S6-L(S6-R)	32	-	-	-	S22-L(S22-R)	32	-	-	-
S7-L(S7-R)	32	-	-	-	S23-L(S23-R)	16	-	-	-
S8-L(S8-R)	-	-	16	-	S24-L(S24-R)	32	-	-	-
S9-L(S9-R)	-	16	-	-	S25-L(S25-R)	32	-	-	-
S10-L(S10-R)	-	-	-	16	S26-L(S26-R)	-	-	16	-
S11-L(S11-R)	32	-	-	-	S27-L(S27-R)	-	16	-	-
S12-L(S12-R)	-	16	-	-	S28-L(S28-R)	32	-	-	-
S13-L(S13-R)	16	16	-	-	S29-L(S29-R)	32	-	-	-
S14-L(S14-R)	16	16	-	-	S30-L(S30-R)	16	-	-	-
S15-L(S15-R)	16	16	-	-	S31-L(S31-R)	32	-	-	-
S16-L(S16-R)	16	16	-	-	S32-L(S32-R)	16	-	-	-

CABLE No.	TYPE-5	TYPE-6
Sd1-L(Sd1-R)	-	8
Sd2-L(Sd2-R)	-	16
Sd3-L(Sd3-R)	-	16
Sd4-L(Sd4-R)	-	16
Sd5-L(Sd5-R)	-	16
Sd6-L(Sd6-R)	-	16
Sd7-L(Sd7-R)	16	-
Sd8-L(Sd8-R)	16	-
Sd9-L(Sd9-R)	16	-
Sd10-L(Sd10-R)	16	-
Sd11-L(Sd11-R)	-	16
Sd12-L(Sd12-R)	-	16

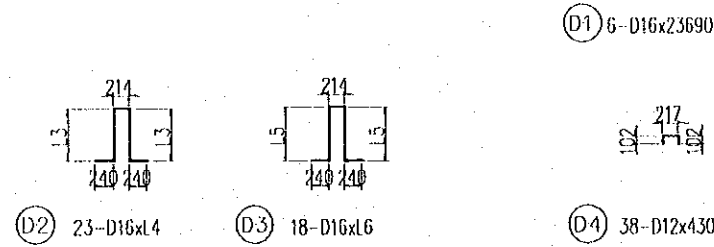
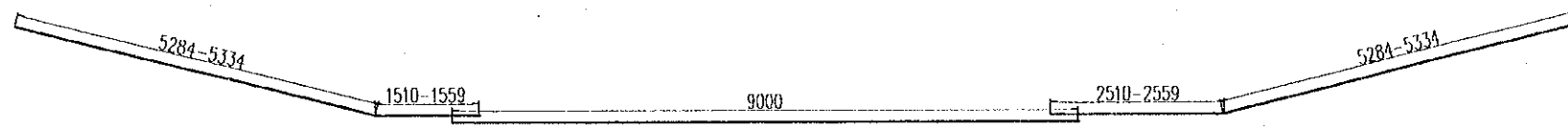
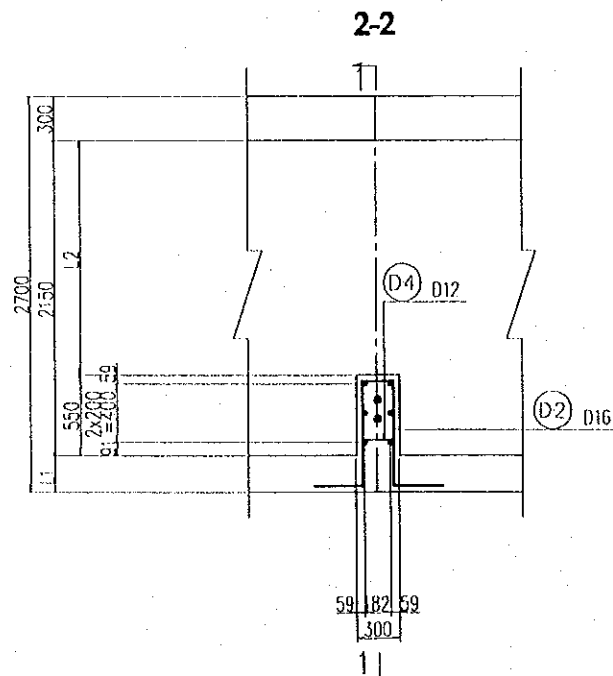
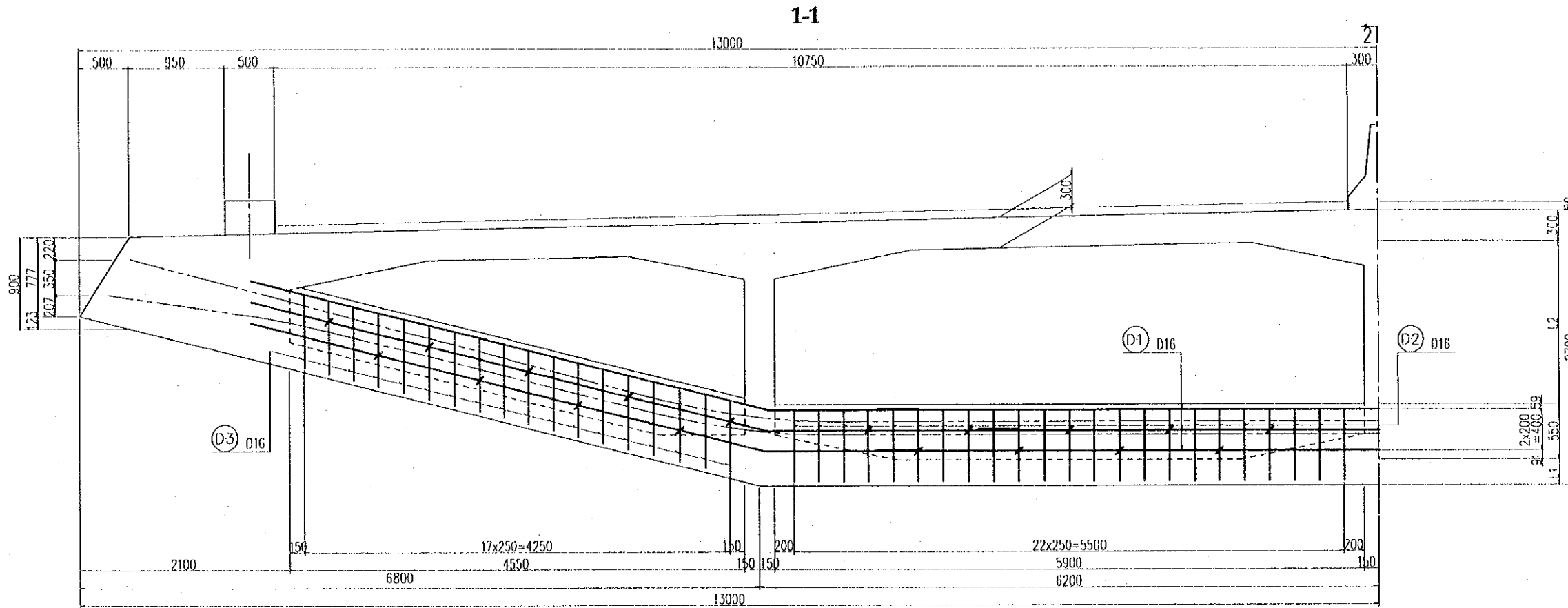
PROJECT NAME	IMPLEMENTATION AGENCY	EXECUTING AGENCY	JICA STUDY TEAM	PREPARED BY	CHECKED BY	APPROVED BY	DRAWING TITLE	DWG NO.
DETAILED DESIGN OF THE CAN THO BRIDGE CONSTRUCTION PROJECT	JICA JAPAN INTERNATIONAL COOPERATION AGENCY (JICA)	SOCIALIST REPUBLIC OF VIET NAM MINISTRY OF TRANSPORT (MOT) MY THUAN PROJECT MANAGEMENT UNIT	NIPPON KOEI CO.,LTD.	S. Kiguchi	K. Matsumoto	K. Enomoto	CABLE STAYED BRIDGE SUPER STRUCTURE BAR ARRANGEMENT OF ANCHORAGE FOR GIRDER (2)	P2/CS/0730
				DATE: 20/9/2000	DATE: 29/9/2000	DATE: 5/10/2000		

BAR ARRANGEMENT OF DIAPHRAGM(1) SCALE 1:50

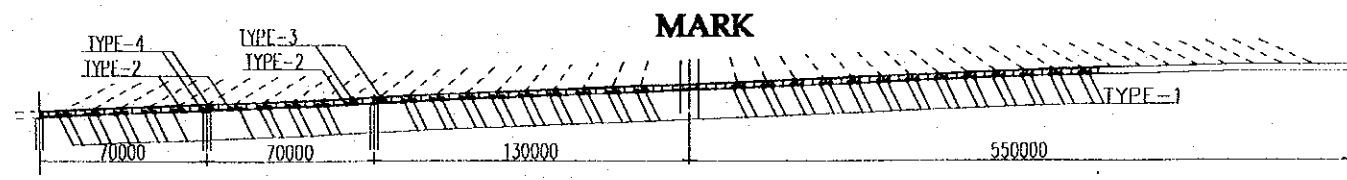


PROJECT NAME DETAILED DESIGN OF THE CAN THO BRIDGE CONSTRUCTION PROJECT	IMPLEMENTATION AGENCY JICA JAPAN INTERNATIONAL COOPERATION AGENCY (JICA)	EXECUTING AGENCY SOCIALIST REPUBLIC OF VIET NAM MINISTRY OF TRANSPORT (MOT) MY THUAN PROJECT MANAGEMENT UNIT	JICA STUDY TEAM NIPPON KOEI CO.,LTD.	PREPARED BY	CHECKED BY	APPROVED BY	DRAWING TITLE CABLE STAYED BRIDGE SUPER STRUCTURE BAR ARRANGEMENT OF DIAPHRAGM(1)	DWG NO. P2/CS/0740	
				NAME	S. Kiguchi	K. Matsumoto			K. Enomoto
				SIGNATURE	<i>S. Kiguchi</i>	<i>K. Matsumoto</i>			<i>K. Enomoto</i>
DATE	20/9/2000	29/9/2000	5/10/2000						

BAR ARRANGEMENT OF DIAPHRAGM(4) SCALE 1:50



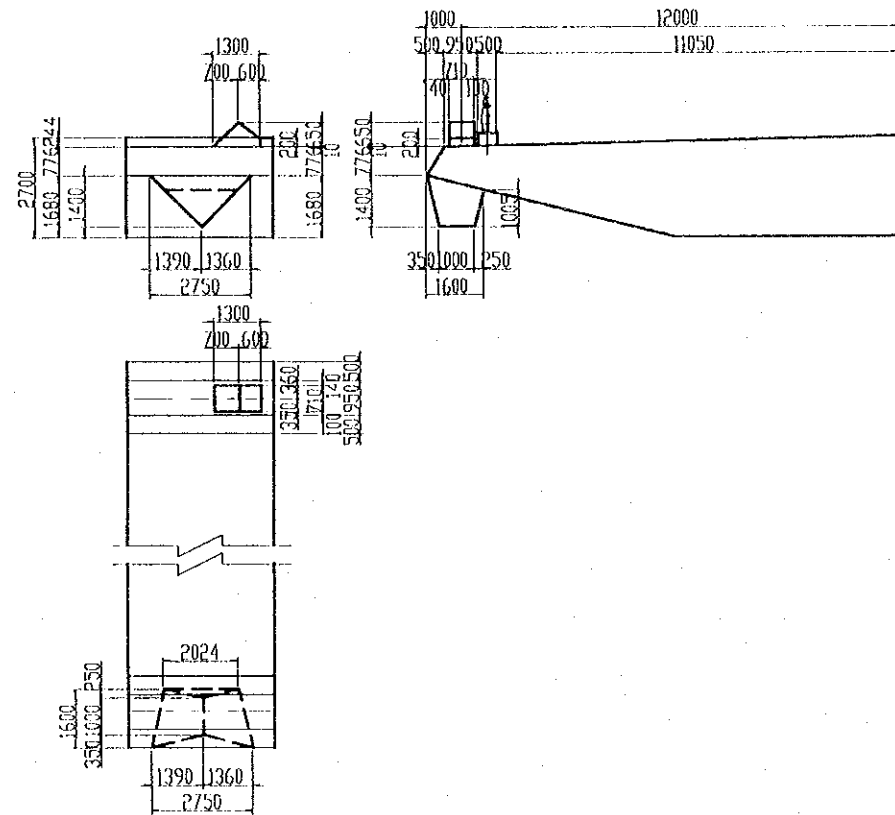
TYPE	L1	L2	L3	L4	L5	L6
TYPE-1	250	1600	714	2130	735	2170
TYPE-2	300	1550	764	2230	785	2270
TYPE-3	400	1450	864	2430	885	2470
TYPE-4	500	1350	964	2630	985	2670



PROJECT NAME	IMPLEMENTATION AGENCY	EXECUTING AGENCY	JICA STUDY TEAM	PREPARED BY	CHECKED BY	APPROVED BY	DRAWING TITLE	DWG NO.
DETAILED DESIGN OF THE CAN THO BRIDGE CONSTRUCTION PROJECT	JICA JAPAN INTERNATIONAL COOPERATION AGENCY (JICA)	SOCIALIST REPUBLIC OF VIET NAM MINISTRY OF TRANSPORT (MOT) MY THUAN PROJECT MANAGEMENT UNIT	NIPPON KOEI CO., LTD.	S. Kiguchi	K. Matsumoto	K. Enomoto	CABLE STAYED BRIDGE SUPER STRUCTURE BAR ARRANGEMENT OF DIAPHRAGM(4)	P2/CS/0770
				NAME				
				SIGNATURE				
				DATE	20/9/2000	29/9/2000	5/10/2000	

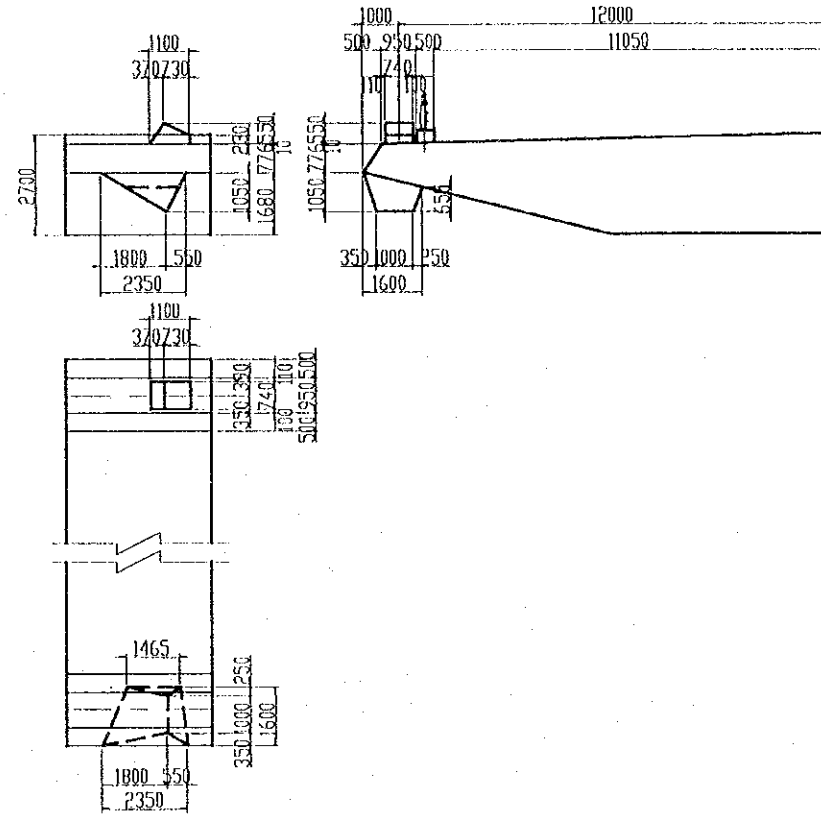
TYPE-4
SN 16-19, SS 16-19

SCALE 1:200



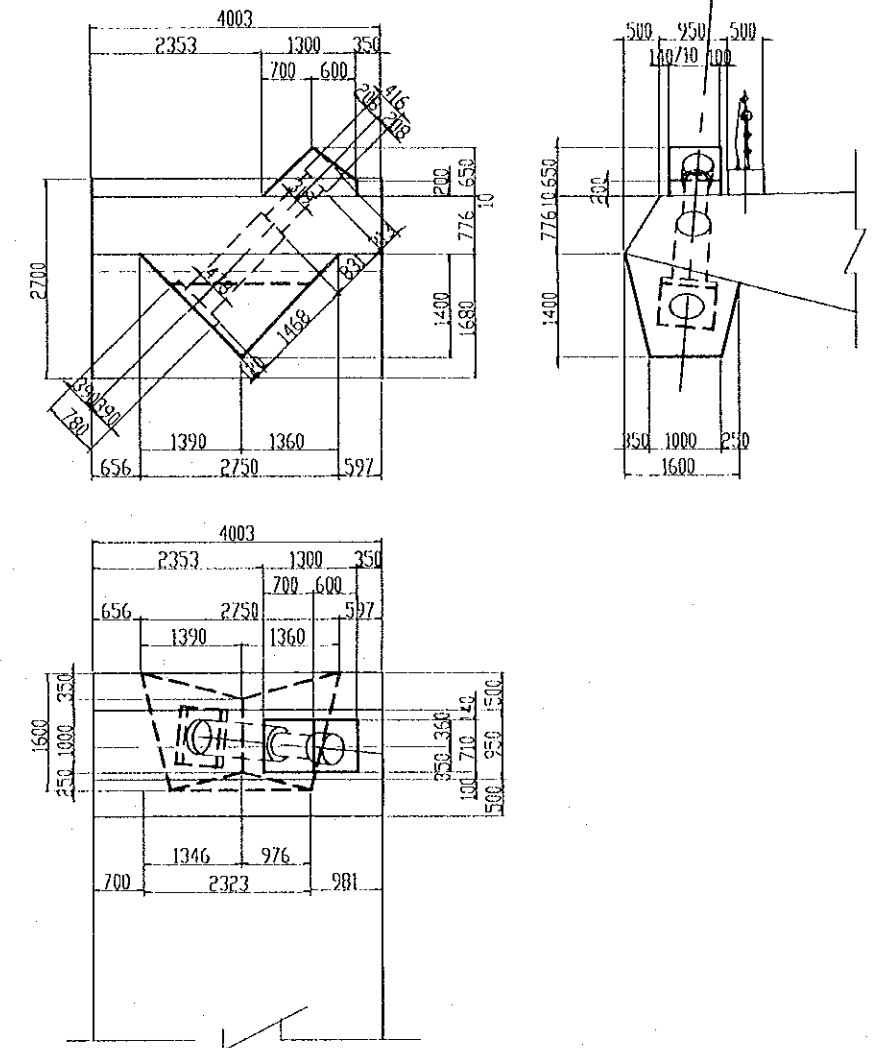
TYPE-5
SN 20-21, SS 20-21

SCALE 1:200



SN 16, SS 16

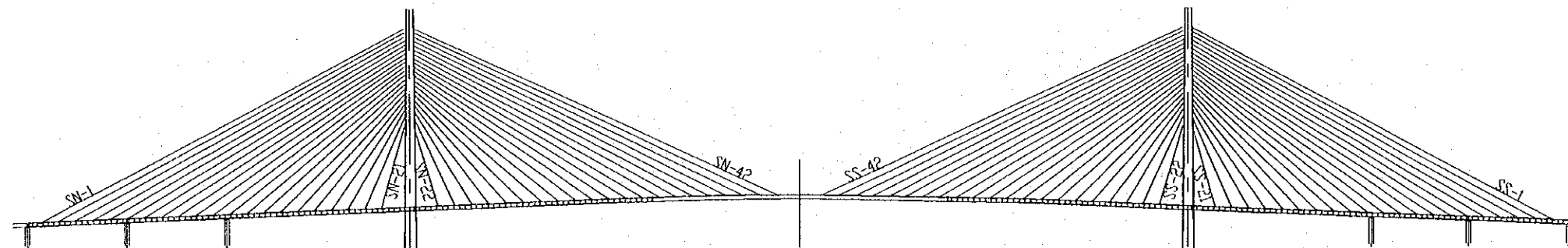
SCALE 1:100



MARK

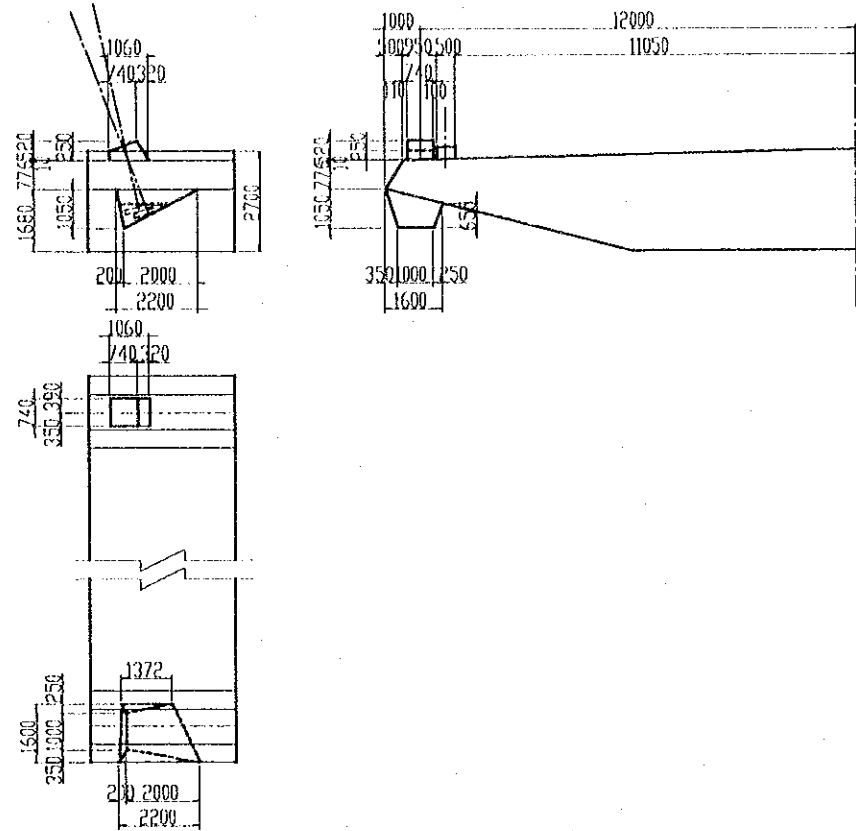
NORTHERN PYLON

SOUTHERN PYLON

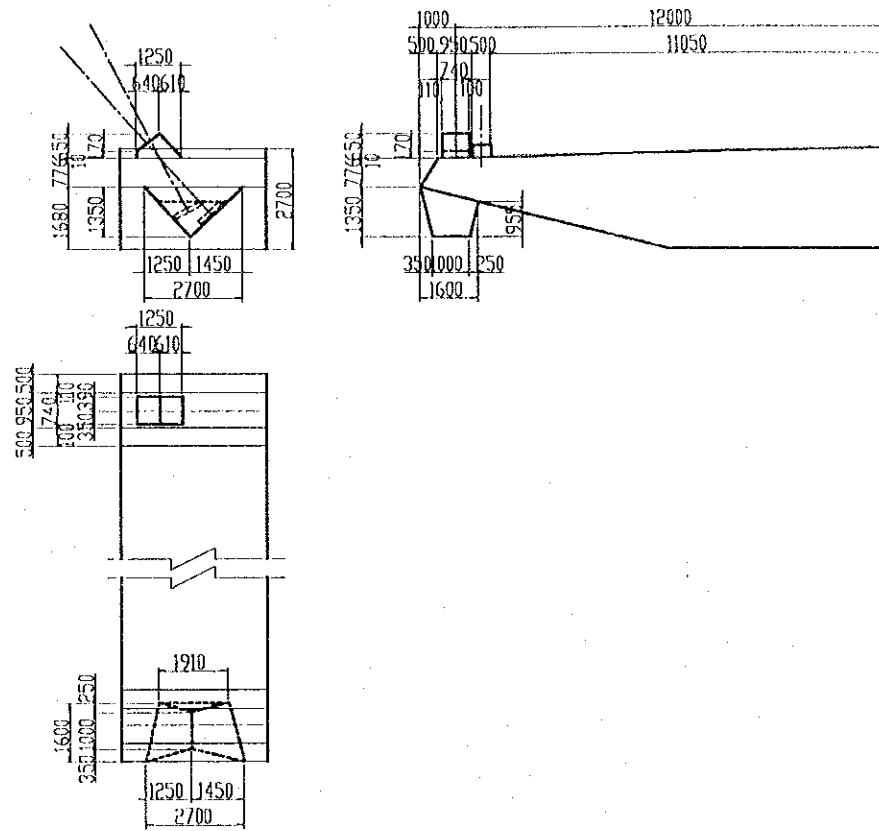


PROJECT NAME	IMPLEMENTATION AGENCY	EXECUTING AGENCY	JICA STUDY TEAM	PREPARED BY	CHECKED BY	APPROVED BY	DRAWING TITLE	DWG NO.
DETAILED DESIGN OF THE CAN THO BRIDGE CONSTRUCTION PROJECT	JICA JAPAN INTERNATIONAL COOPERATION AGENCY (JICA)	SOCIALIST REPUBLIC OF VIET NAM MINISTRY OF TRANSPORT (MOT) MY THUAN PROJECT MANAGEMENT UNIT	NIPPON KOHI CO.,LTD.	S. Kiguchi	K. Matsumoto	K. Enomoto	CABLE STAYED BRIDGE SUPER STRUCTURE ANCHORAGE FOR STAY CABLE ON GIRDER (2)	P2/CS/0790
				NAME				
				SIGNATURE				
				DATE	20/9/2000	29/9/2000	5/10/2000	

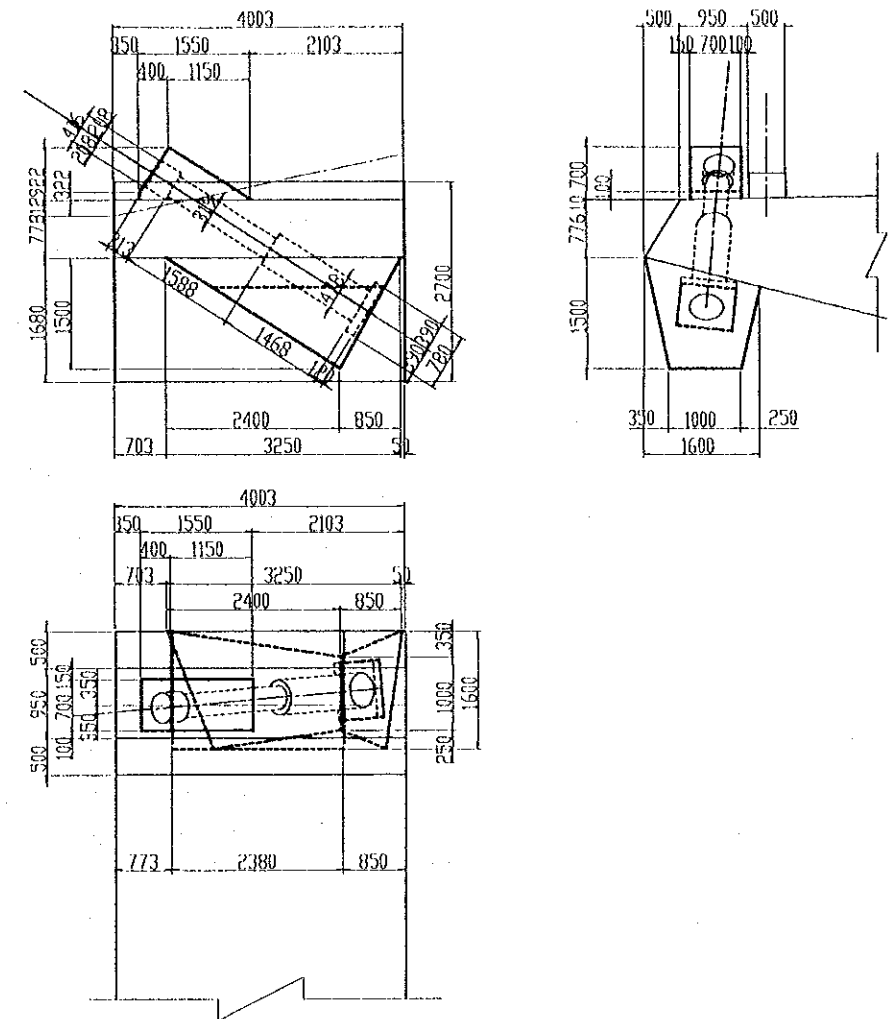
TYPE-6
SN 22-23, SS 22-23
SCALE 1:200



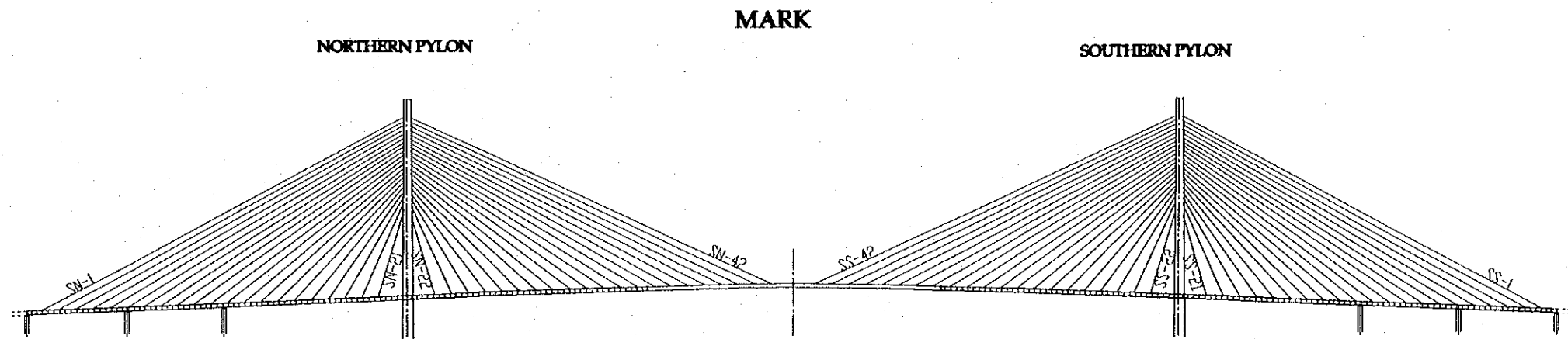
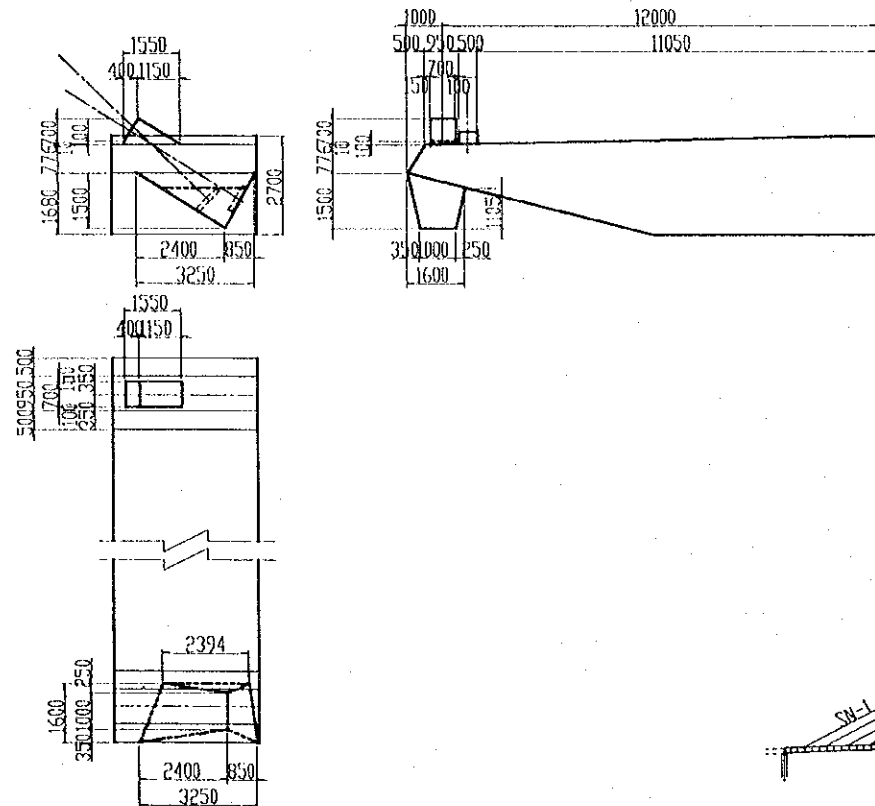
TYPE-7
SN 24-27, SS 24-27
SCALE 1:200



SN 28, SS 28
SCALE 1:100



TYPE-8
SN 28-34, SS 28-34



PROJECT NAME	IMPLEMENTATION AGENCY	EXECUTING AGENCY	JICA STUDY TEAM	PREPARED BY	CHECKED BY	APPROVED BY	DRAWING TITLE	DWG NO.
				NAME	NAME	NAME		
DETAILED DESIGN OF THE CAN THO BRIDGE CONSTRUCTION PROJECT	JAPAN INTERNATIONAL COOPERATION AGENCY (JICA)	SOCIALIST REPUBLIC OF VIET NAM MINISTRY OF TRANSPORT (MOT) MY THUAN PROJECT MANAGEMENT UNIT	NIPPON KOEI CO., LTD.	S. Kiguchi	K. Matsumoto	K. Enomoto	CABLE STAYED BRIDGE SUPER STRUCTURE ANCHORAGE FOR STAY CABLE ON GIRDER (3)	P2/CS/0000
				<i>S. Kiguchi</i>	<i>K. Matsumoto</i>	<i>K. Enomoto</i>		
				20/9/2000	29/9/2000	5/10/2000		

