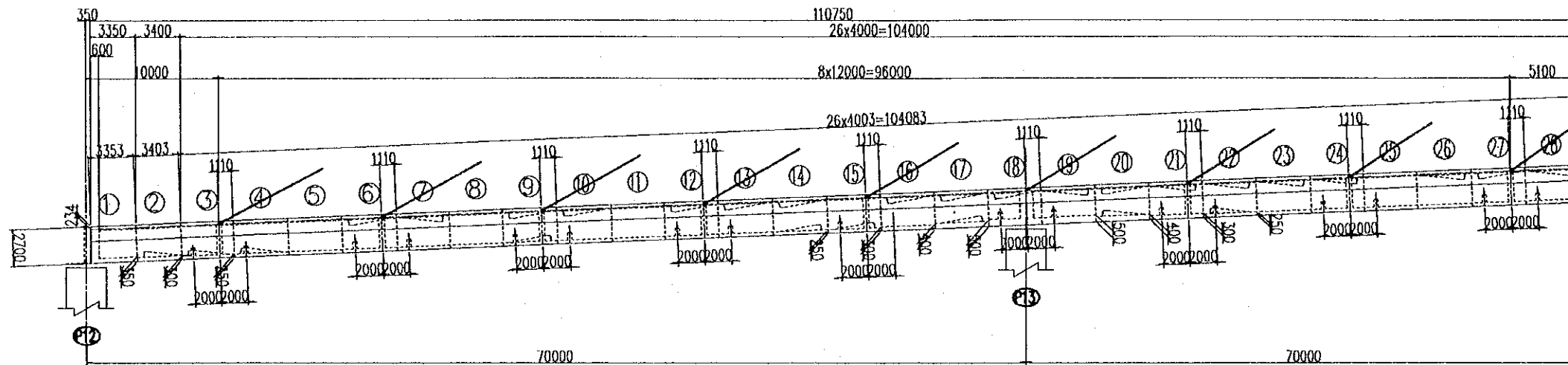
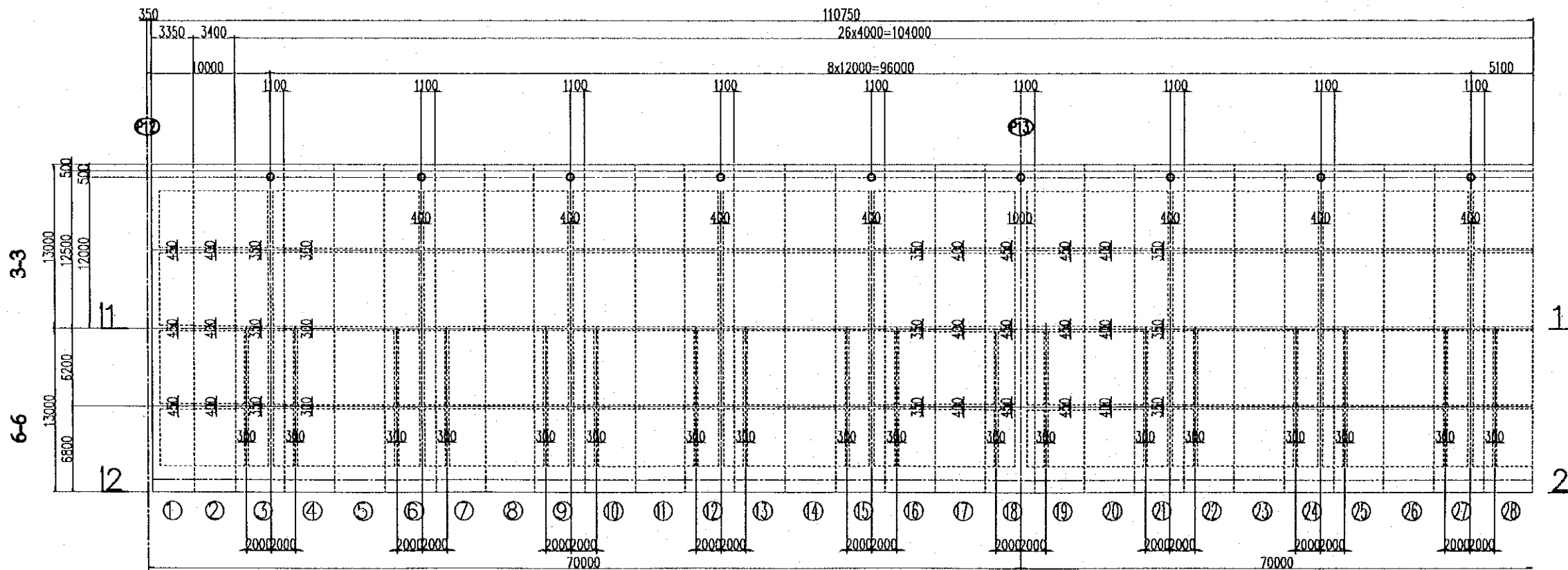


SIDE ELEVATION SCALE 1:400

2-2



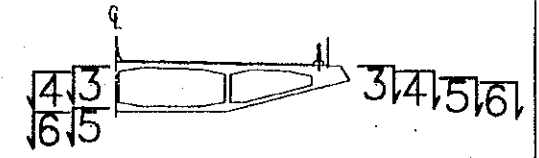
PLAN SCALE 1:400



MARK

PC GIRDER L=439650

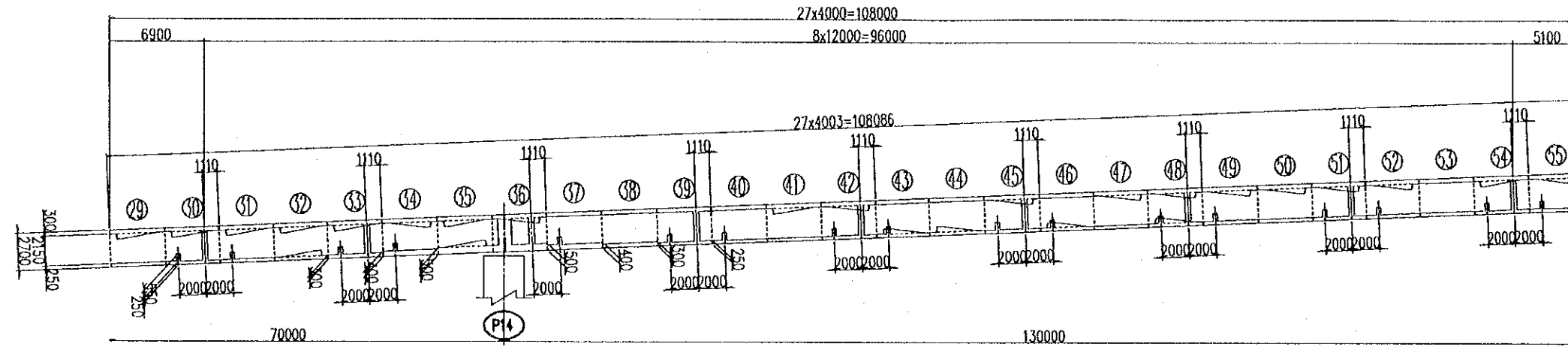
STEEL GIRDER L=105000



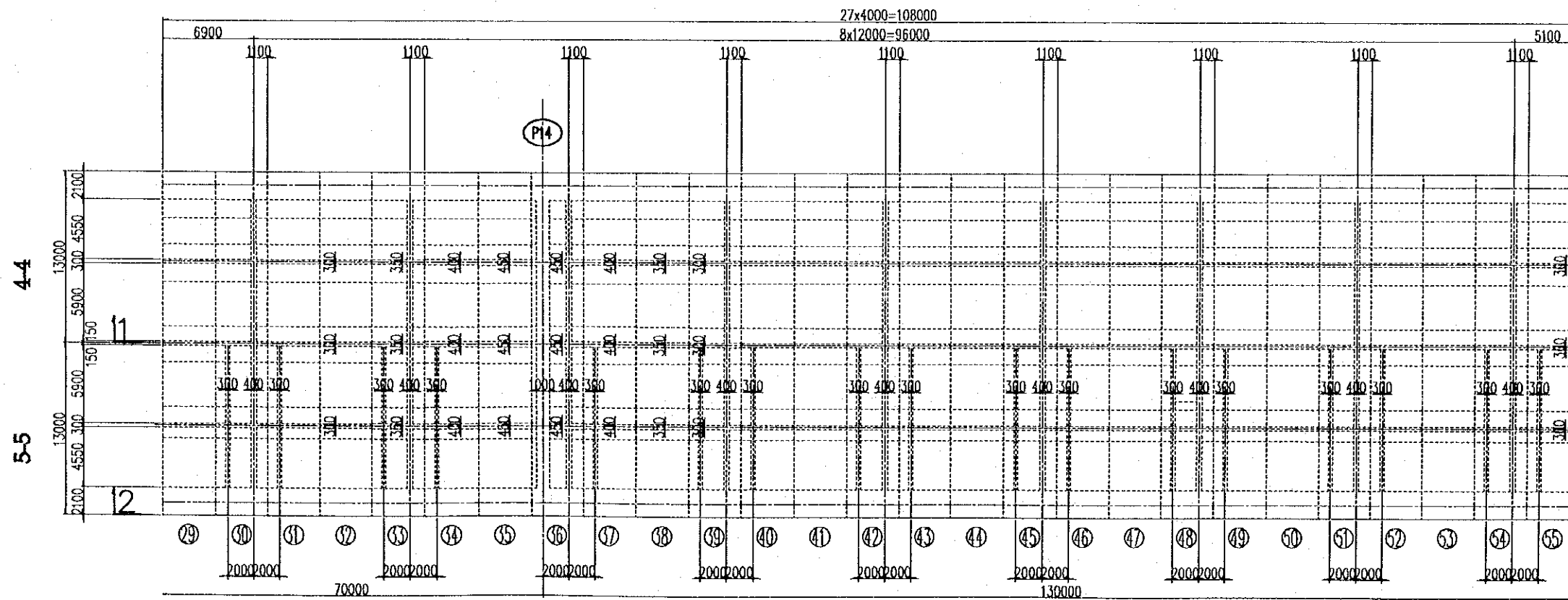
PROJECT NAME	IMPLEMENTATION AGENCY	EXECUTING AGENCY	JICA STUDY TEAM	PREPARED BY	CHECKED BY	APPROVED BY	DRAWING TITLE	DWG NO.
DETAILED DESIGN OF THE CAN THO BRIDGE CONSTRUCTION PROJECT	JICA JAPAN INTERNATIONAL COOPERATION AGENCY (JICA)	SOCIALIST REPUBLIC OF VIET NAM MINISTRY OF TRANSPORT (MOT) MY THUAN PROJECT MANAGEMENT UNIT	NIPPON KOEI CO.,LTD.	S. Kiguchi	K. Matsumoto	K. Enomoto	CABLE STAYED BRIDGE SUPER STRUCTURE GENERAL ARRANGEMENT OF SEGMENT (2)	P2/CS/0030
				NAME: S. Kiguchi	NAME: K. Matsumoto	NAME: K. Enomoto		
				SIGNATURE: S. Kiguchi	SIGNATURE: K. Matsumoto	SIGNATURE: K. Enomoto		
				DATE: 20/9/2000	DATE: 29/9/2000	DATE: 5/10/2000		

SIDE ELEVATION SCALE 1:400

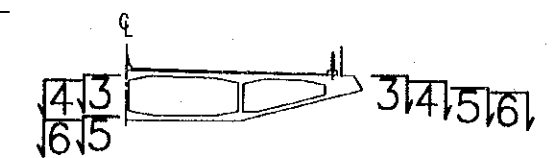
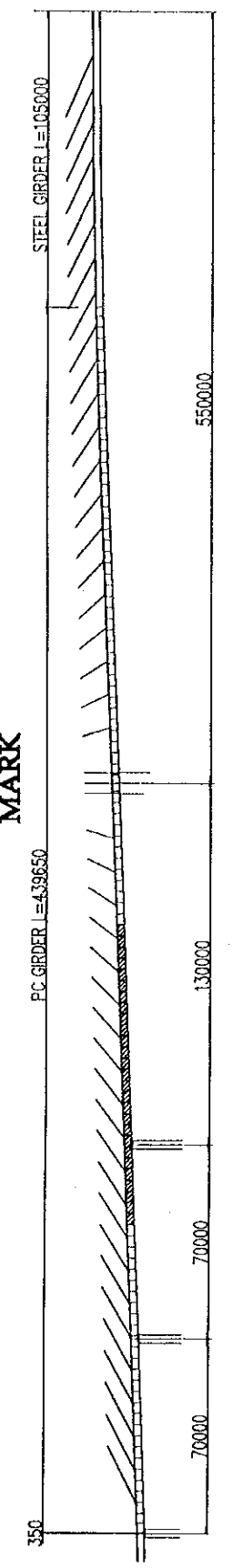
1-1



PLAN SCALE 1:400



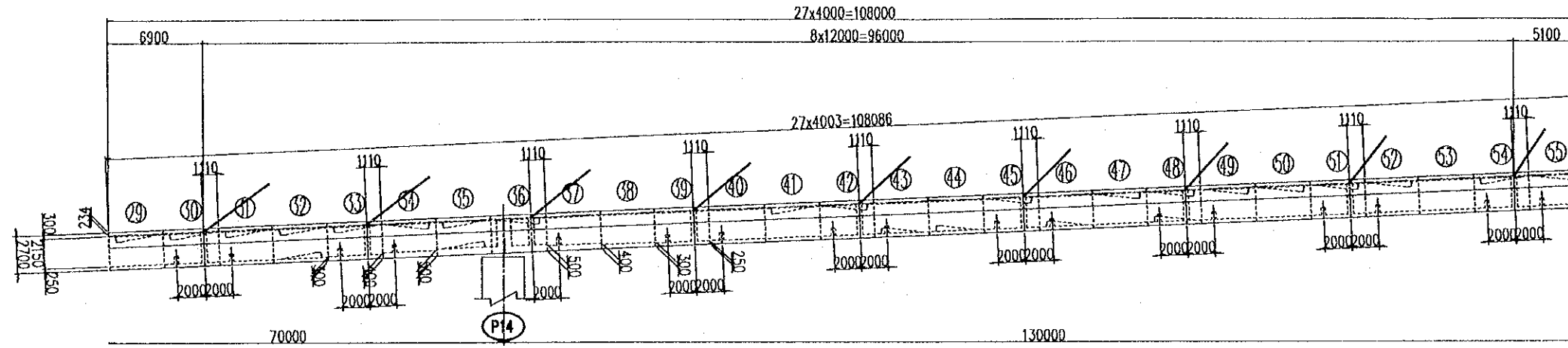
MARK



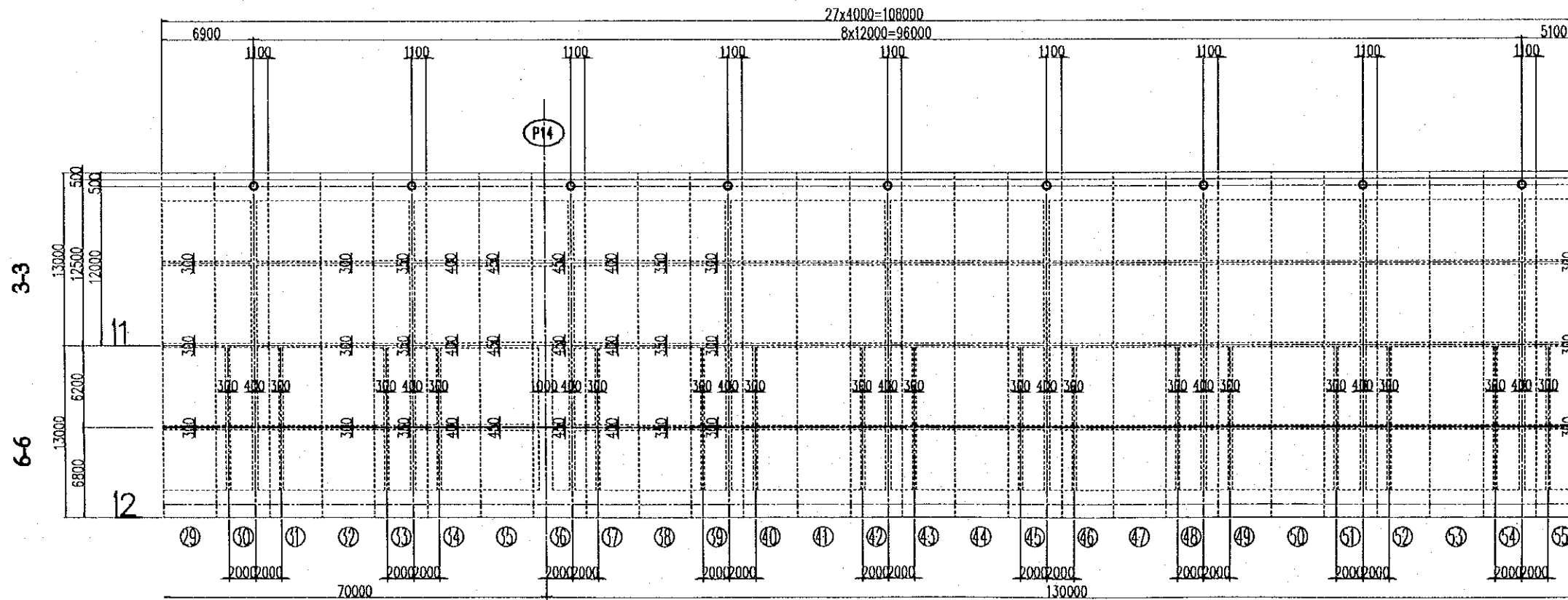
PROJECT NAME DETAILED DESIGN OF THE CAN THO BRIDGE CONSTRUCTION PROJECT	IMPLEMENTATION AGENCY JICA JAPAN INTERNATIONAL COOPERATION AGENCY (JICA)	EXECUTING AGENCY SOCIALIST REPUBLIC OF VIET NAM MINISTRY OF TRANSPORT (MOT) MY THUAN PROJECT MANAGEMENT UNIT	JICA STUDY TEAM NIPPON KOEI CO., LTD.	PREPARED BY	CHECKED BY	APPROVED BY	DRAWING TITLE CABLE STAYED BRIDGE SUPER STRUCTURE GENERAL ARRANGEMENT OF SEGMENT (3)	DWG NO. P2/CS/0040	
				NAME	S. Kiguchi	K. Matsumoto			K. Enomoto
				SIGNATURE	<i>S. Kiguchi</i>	<i>K. Matsumoto</i>			<i>K. Enomoto</i>
DATE	20/9/2000	29/9/2000	5/10/2000						

SIDE ELEVATION SCALE 1:400

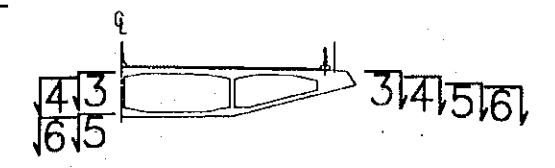
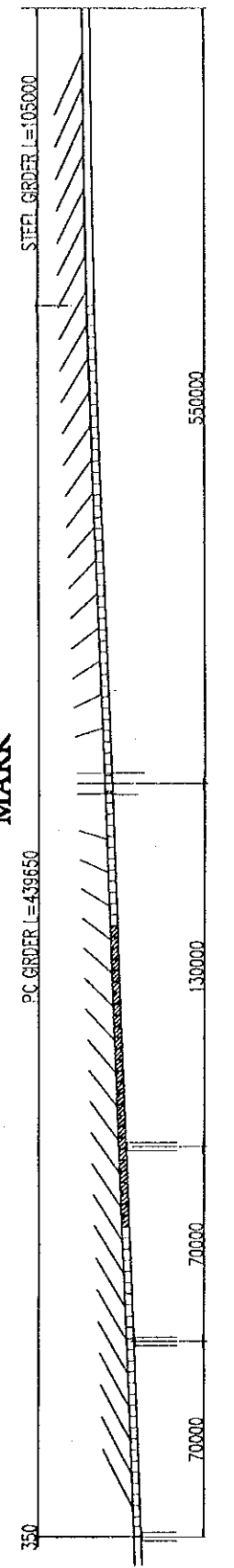
2-2



PLAN SCALE 1:400



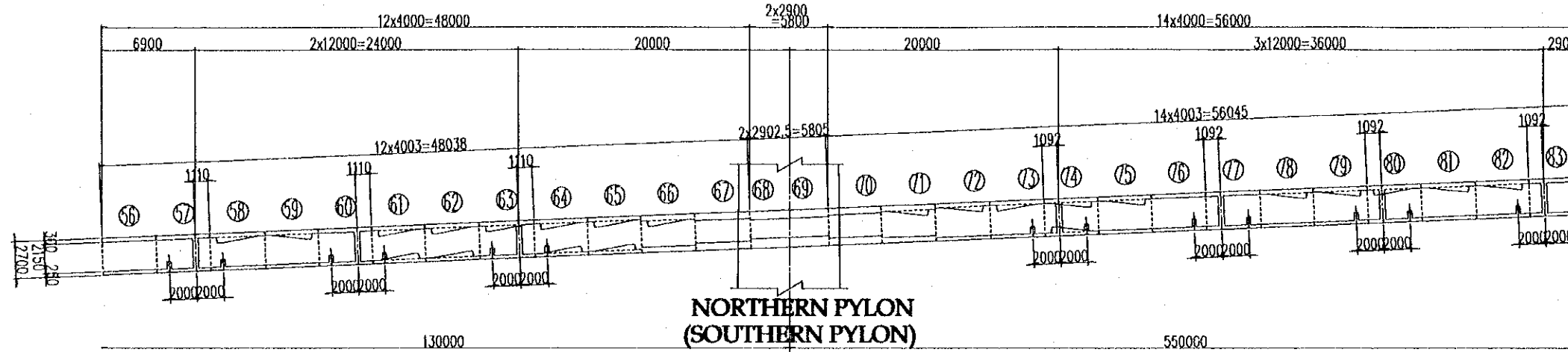
MARK



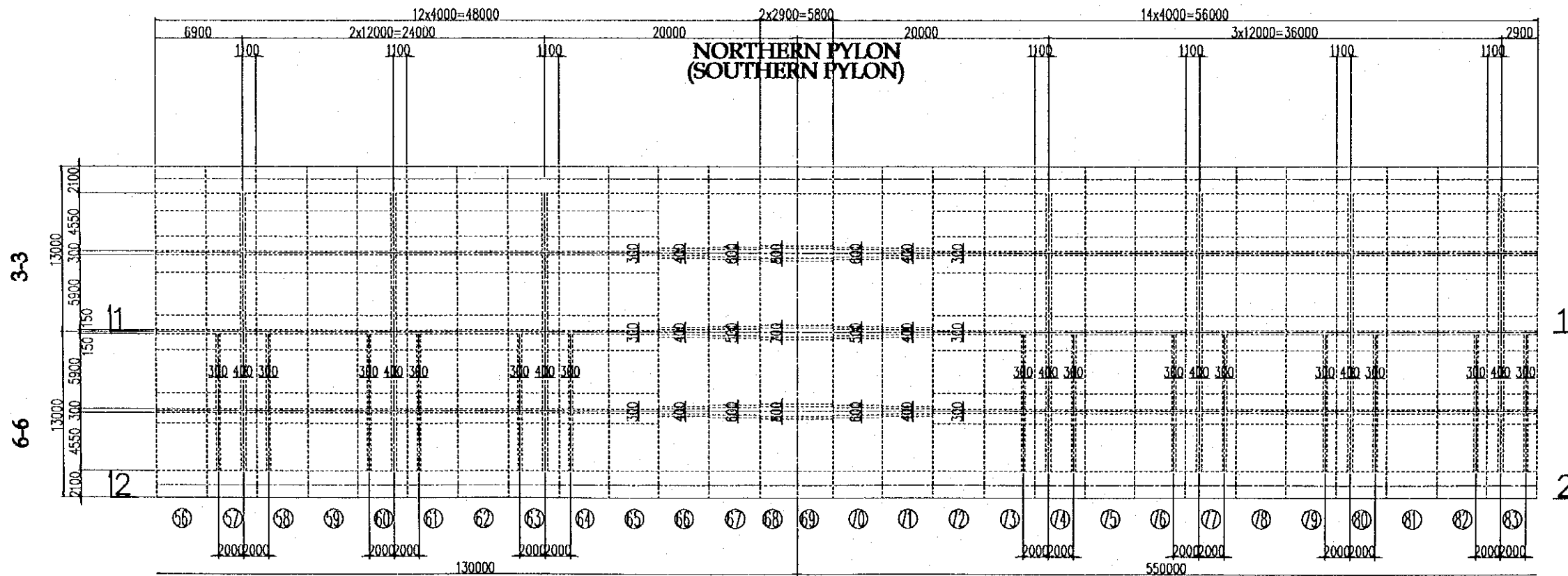
PROJECT NAME	IMPLEMENTATION AGENCY	EXECUTING AGENCY	JICA STUDY TEAM	PREPARED BY	CHECKED BY	APPROVED BY	DRAWING TITLE	DWG NO.
DETAILED DESIGN OF THE CAN THO BRIDGE CONSTRUCTION PROJECT	JICA JAPAN INTERNATIONAL COOPERATION AGENCY (JICA)	SOCIALIST REPUBLIC OF VIET NAM MINISTRY OF TRANSPORT (MOT) MY THUAN PROJECT MANAGEMENT UNIT	NIPPON KOEI CO.,LTD.	S. Kiguchi	K. Matsumoto	K. Enomoto	CABLE STAYED BRIDGE SUPER STRUCTURE GENERAL ARRANGEMENT OF SEGMENT (4)	P2/CS/0050
				DATE: 20/9/2000	DATE: 29/9/2000	DATE: 5/10/2000		

SIDE ELEVATION SCALE 1:400

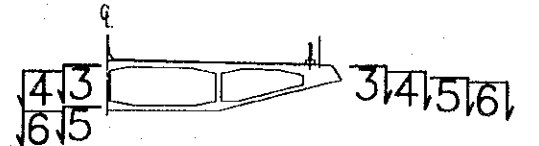
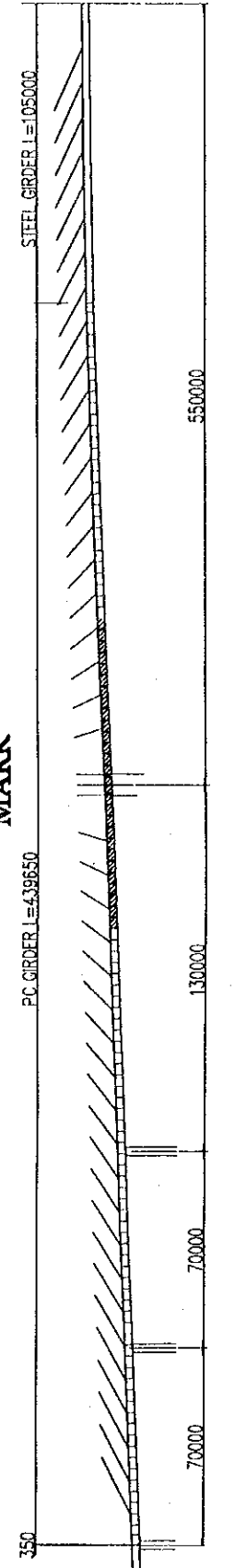
1-1



PLAN SCALE 1:400



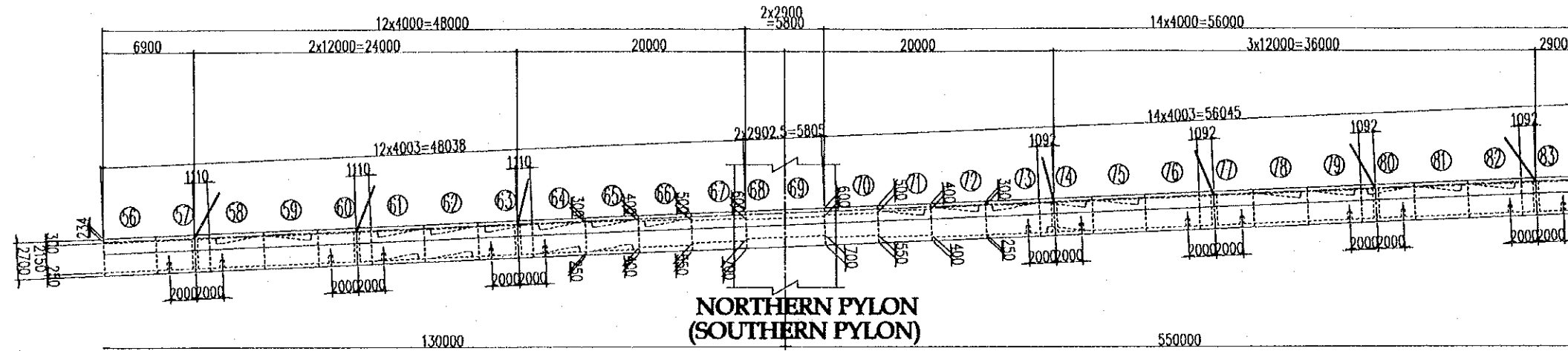
MARK



PROJECT NAME	IMPLEMENTATION AGENCY	EXECUTING AGENCY	JICA STUDY TEAM	PREPARED BY	CHECKED BY	APPROVED BY	DRAWING TITLE	DWG NO.
DETAILED DESIGN OF THE CAN THO BRIDGE CONSTRUCTION PROJECT	JICA JAPAN INTERNATIONAL COOPERATION AGENCY (JICA)	SOCIALIST REPUBLIC OF VIET NAM MINISTRY OF TRANSPORT (MOT) MY THUAN PROJECT MANAGEMENT UNIT	NIPPON KOKI CO.,LTD.	S. Kiguchi	K. Matsumoto	K. Enomoto	CABLE STAYED BRIDGE SUPER STRUCTURE GENERAL ARRANGEMENT OF SEGMENT (5)	P2/CS/0060
				SIGNATURE S. Kiguchi	K. Matsumoto	K. Enomoto		
				DATE 20/9/2000	29/9/2000	5/10/2000		

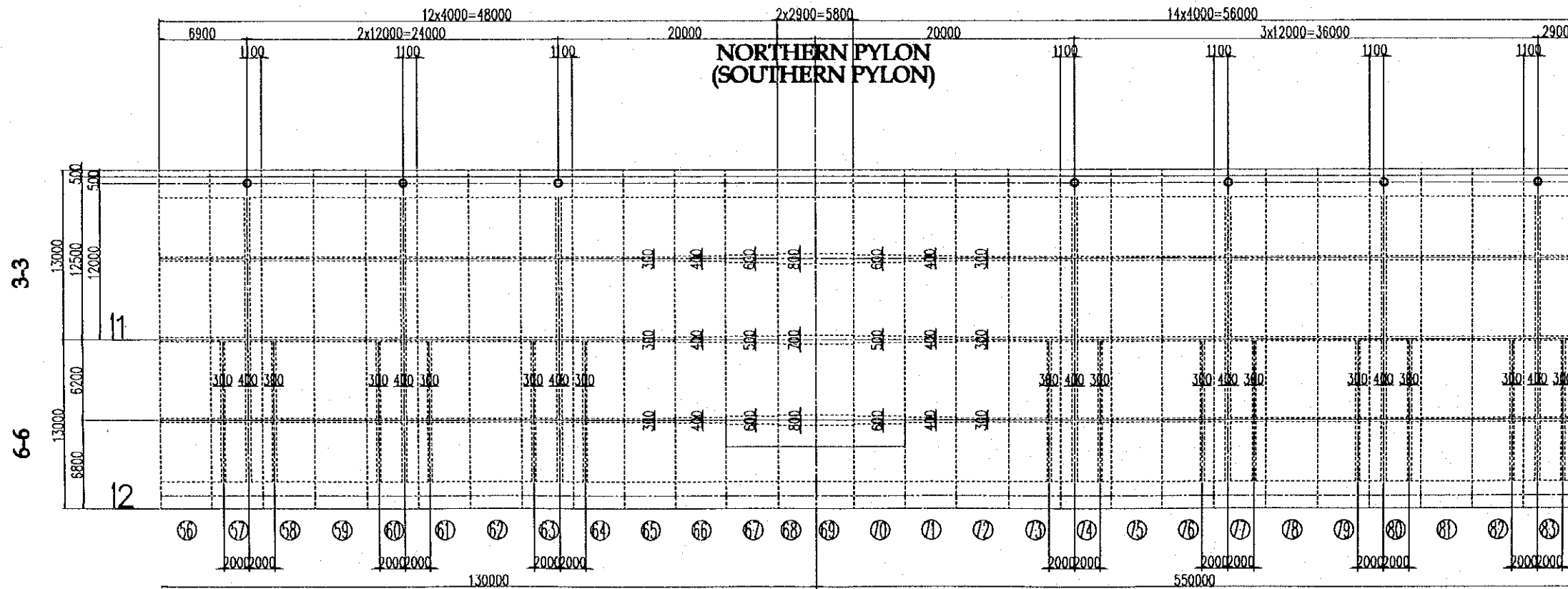
SIDE ELEVATION SCALE 1:400

2-2



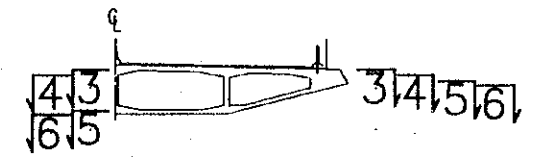
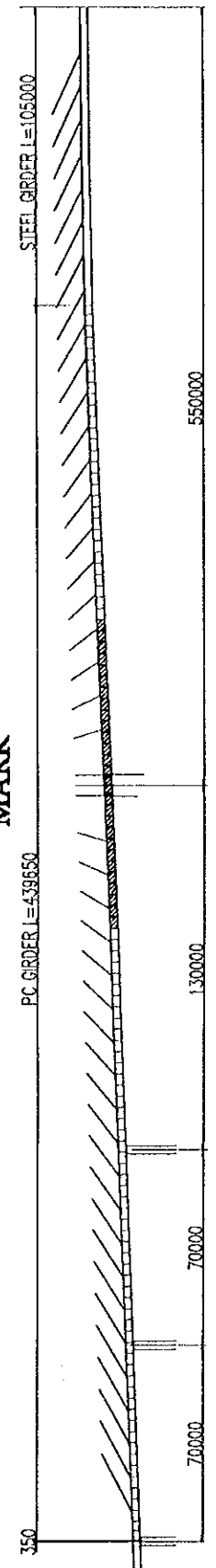
NORTHERN PYLON
(SOUTHERN PYLON)

PLAN SCALE 1:400



NORTHERN PYLON
(SOUTHERN PYLON)

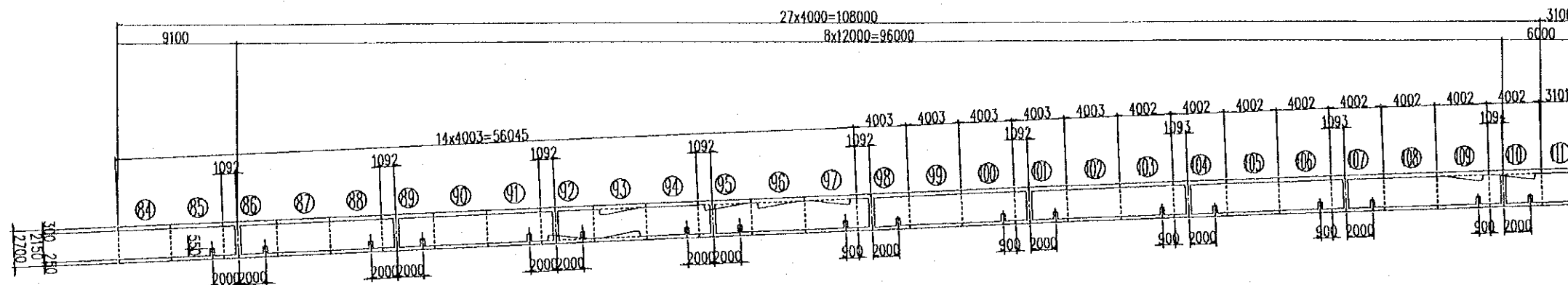
MARK



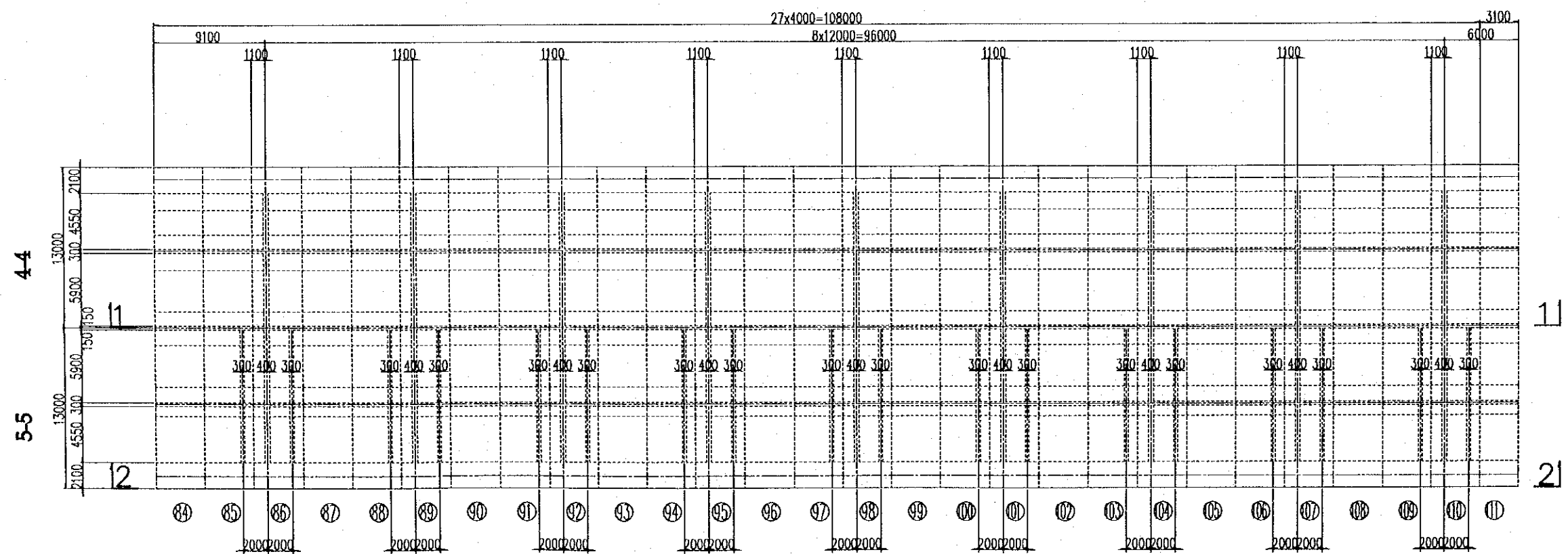
PROJECT NAME	IMPLEMENTATION AGENCY	EXECUTING AGENCY	JICA STUDY TEAM	PREPARED BY	CHECKED BY	APPROVED BY	DRAWING TITLE	DWG NO.
DETAILED DESIGN OF THE CAN THO BRIDGE CONSTRUCTION PROJECT	JICA JAPAN INTERNATIONAL COOPERATION AGENCY (JICA)	SOCIALIST REPUBLIC OF VIET NAM MINISTRY OF TRANSPORT (MOT) MY THUAN PROJECT MANAGEMENT UNIT	NIPPON KOEI CO., LTD.	NAME: S. Kiguchi SIGNATURE: <i>S. Kiguchi</i> DATE: 20/9/2000	NAME: K. Matsumoto SIGNATURE: <i>K. Matsumoto</i> DATE: 29/9/2000	NAME: K. Enomoto SIGNATURE: <i>K. Enomoto</i> DATE: 5/10/2000	CABLE STAYED BRIDGE SUPER STRUCTURE GENERAL ARRANGEMENT OF SEGMENT (6)	P2/CS/0070

SIDE ELEVATION SCALE 1:400

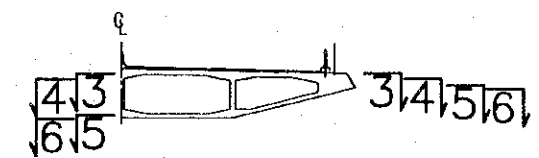
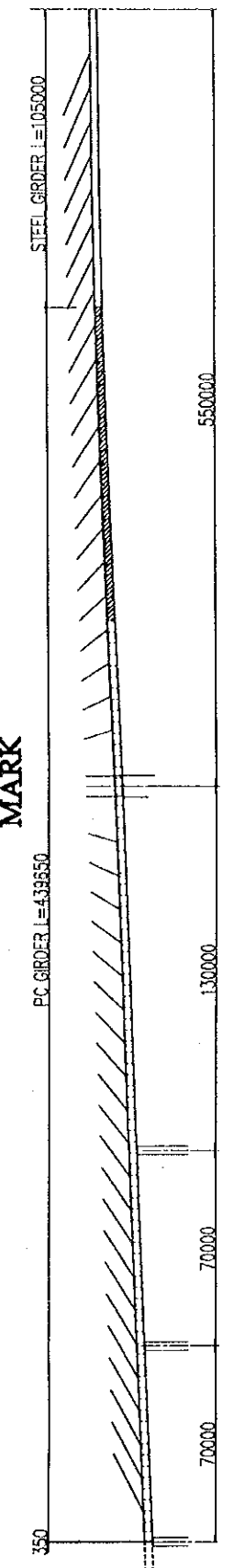
1-1



PLAN SCALE 1:400



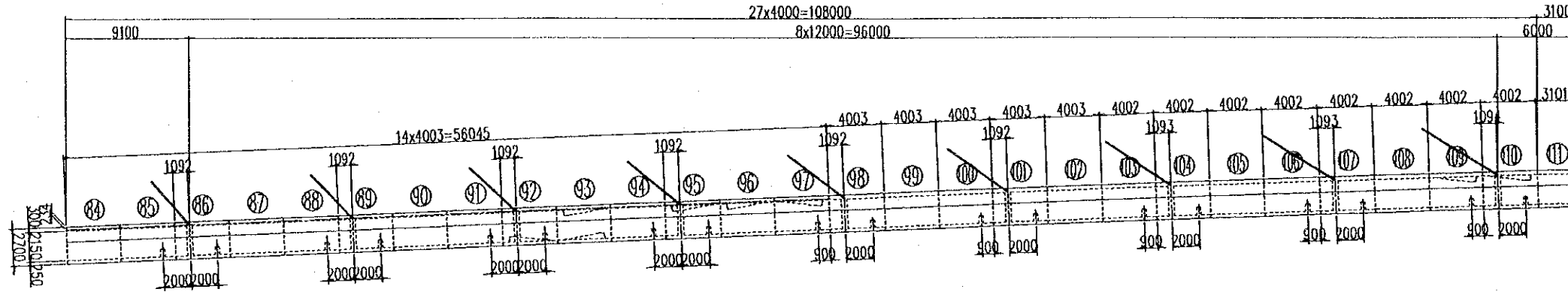
MARK



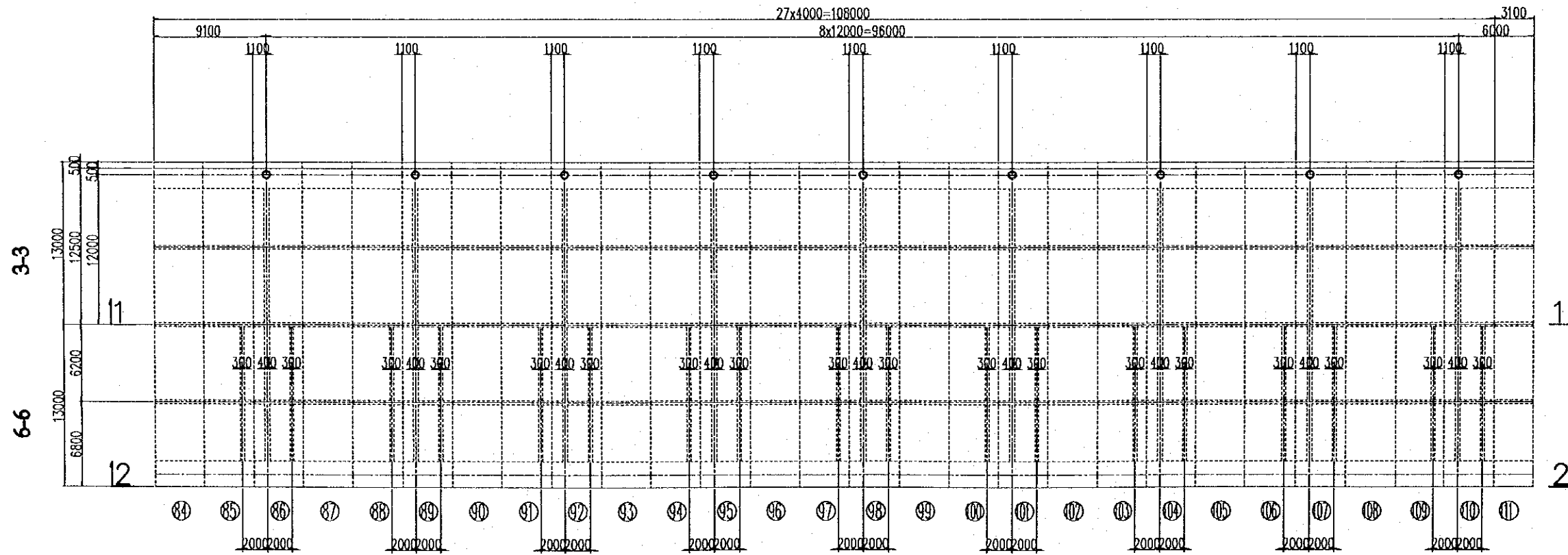
PROJECT NAME DETAILED DESIGN OF THE CAN THO BRIDGE CONSTRUCTION PROJECT	IMPLEMENTATION AGENCY JICA JAPAN INTERNATIONAL COOPERATION AGENCY (JICA)	EXECUTING AGENCY SOCIALIST REPUBLIC OF VIET NAM MINISTRY OF TRANSPORT (MOT) MY THUAN PROJECT MANAGEMENT UNIT	JICA STUDY TEAM NIPPON KORI CO.,LTD.	PREPARED BY NAME S. Kiguchi	CHECKED BY K. Matsumoto	APPROVED BY K. Enomoto	DRAWING TITLE CABLE STAYED BRIDGE SUPER STRUCTURE GENERAL ARRANGEMENT OF SBGMET (7)	DWG NO. P2/CS/0080
				SIGNATURE S. Kiguchi	K. Matsumoto	K. Enomoto		
				DATE 20/9/2000	29/9/2000	5/10/2000		

SIDE ELEVATION SCALE 1:400

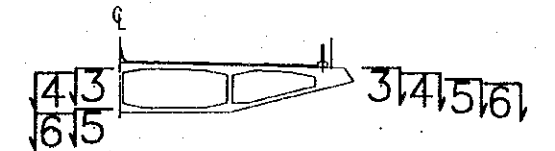
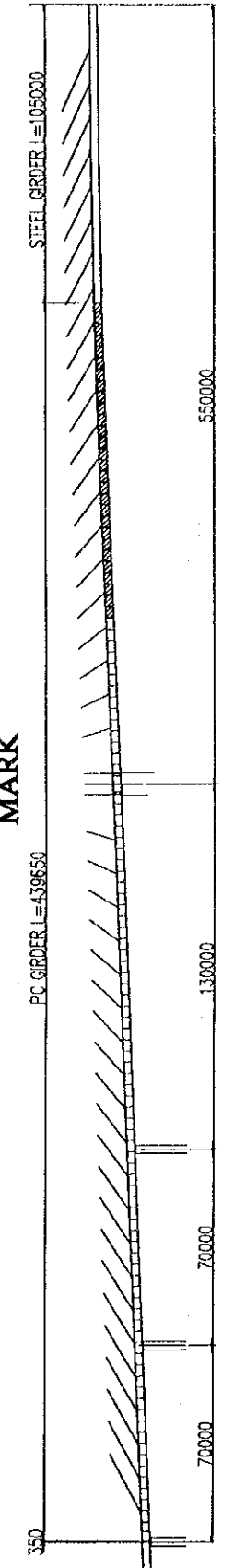
2-2



PLAN SCALE 1:400

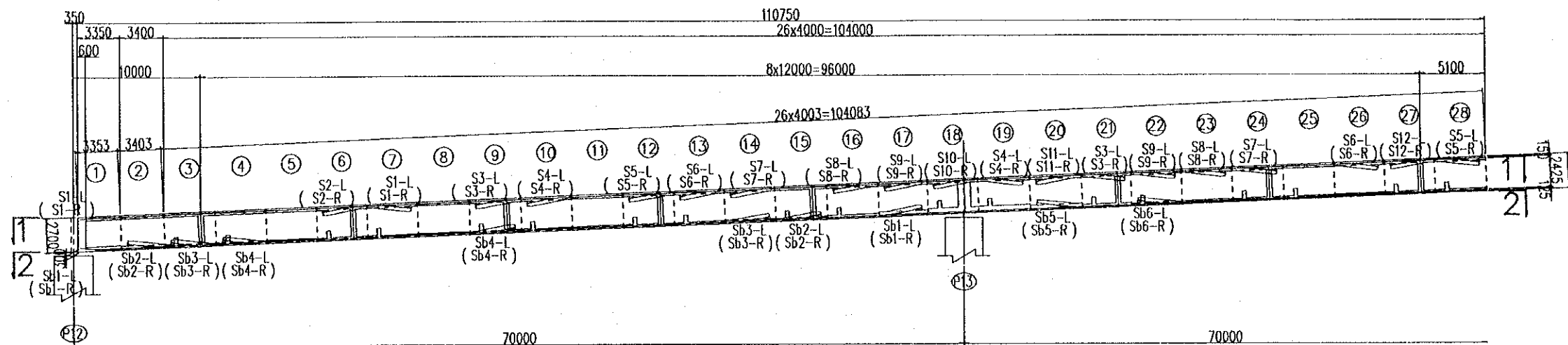


MARK

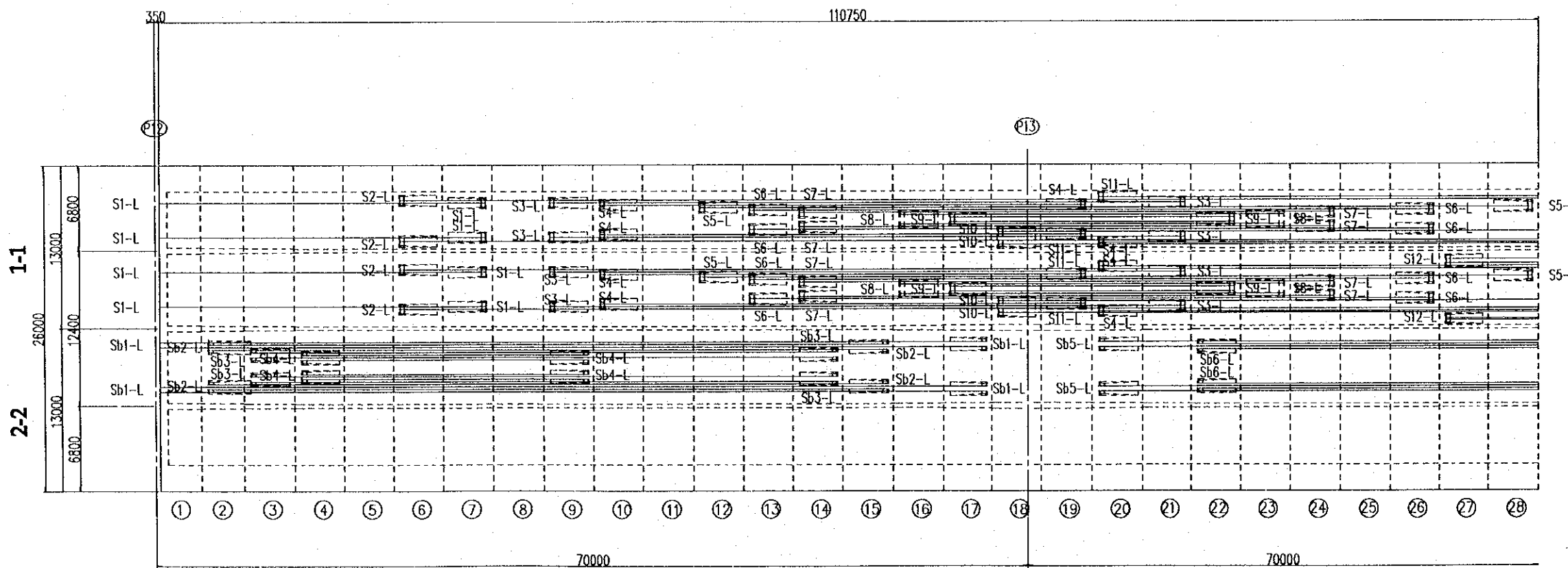


PROJECT NAME	IMPLEMENTATION AGENCY	EXECUTING AGENCY	JICA STUDY TEAM	PREPARED BY	CHECKED BY	APPROVED BY	DRAWING TITLE	DWG NO.
DETAILED DESIGN OF THE CAN THO BRIDGE CONSTRUCTION PROJECT	JICA JAPAN INTERNATIONAL COOPERATION AGENCY (JICA)	SOCIALIST REPUBLIC OF VIET NAM MINISTRY OF TRANSPORT (MOT) MY THUAN PROJECT MANAGEMENT UNIT	NIPPON KOEI CO., LTD.	S. Kiguchi	K. Matsumoto	K. Enomoto	CABLE STAYED BRIDGE SUPER STRUCTURE GENERAL ARRANGEMENT OF SEGMENT (8)	P2/CS/0090
				SIGNATURE S. Kiguchi	K. Matsumoto	K. Enomoto		
				DATE 20/9/2000	29/9/2000	5/10/2000		

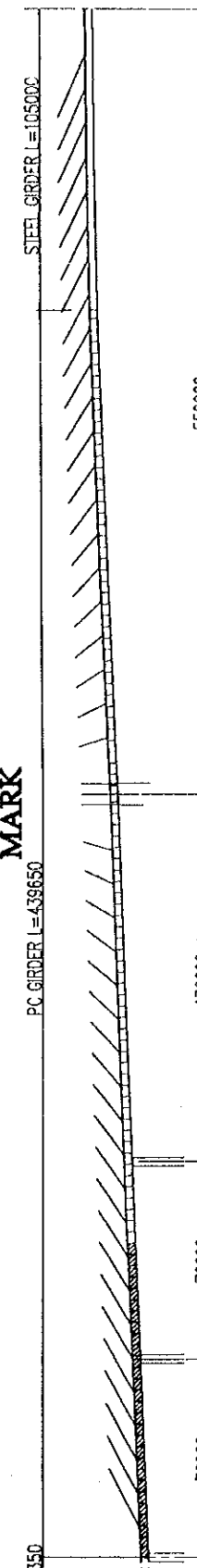
SIDE ELEVATION SCALE 1:400



PLAN SCALE 1:400

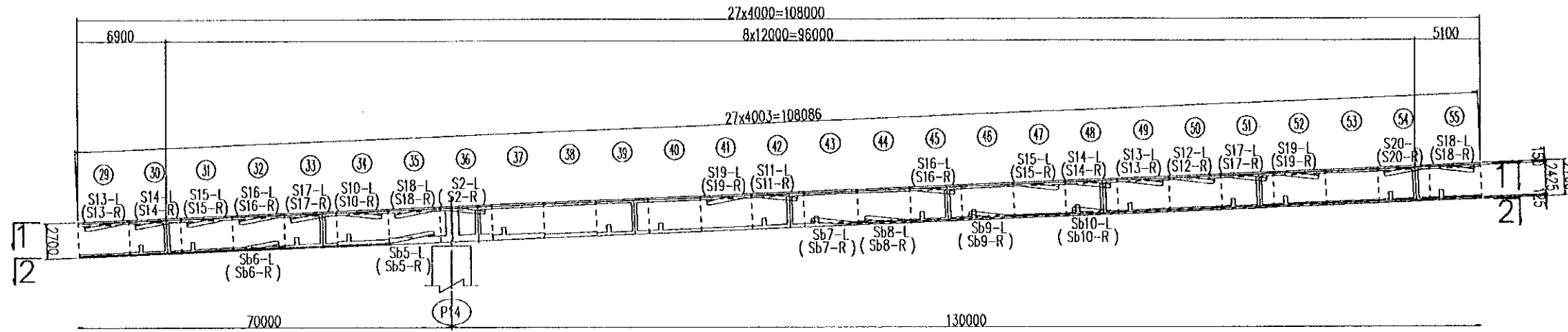


MARK

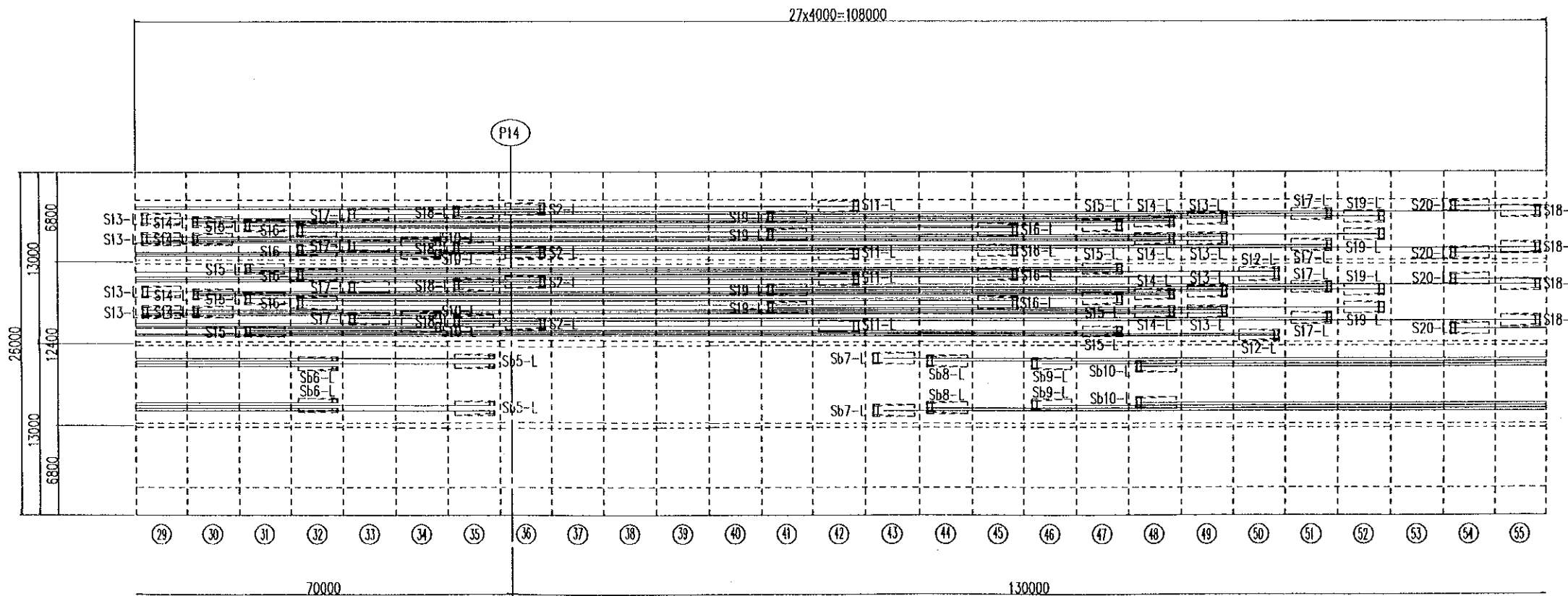


PROJECT NAME	IMPLEMENTATION AGENCY	EXECUTING AGENCY	JICA STUDY TEAM	PREPARED BY	CHECKED BY	APPROVED BY	DRAWING TITLE	DWG NO.
DETAILED DESIGN OF THE CAN THO BRIDGE CONSTRUCTION PROJECT	JICA JAPAN INTERNATIONAL COOPERATION AGENCY (JICA)	SOCIALIST REPUBLIC OF VIET NAM MINISTRY OF TRANSPORT (MOT) MY THUAN PROJECT MANAGEMENT UNIT	NIPPON KOEI CO.,LTD.	S. Kiguchi	K. Matsumoto	K. Enomoto	CABLE STAYED BRIDGE SUPER STRUCTURE PC TENDON ARRANGEMENT OF GIRDER (1)	P2/CS/0100
				NAME				
				SIGNATURE				
				DATE	20/9/2000	29/9/2000	5/10/2000	

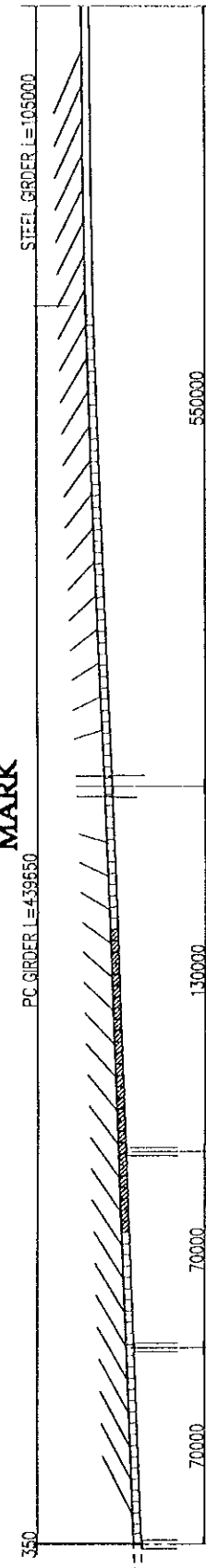
SIDE ELEVATION SCALE 1:400



PLAN SCALE 1:400

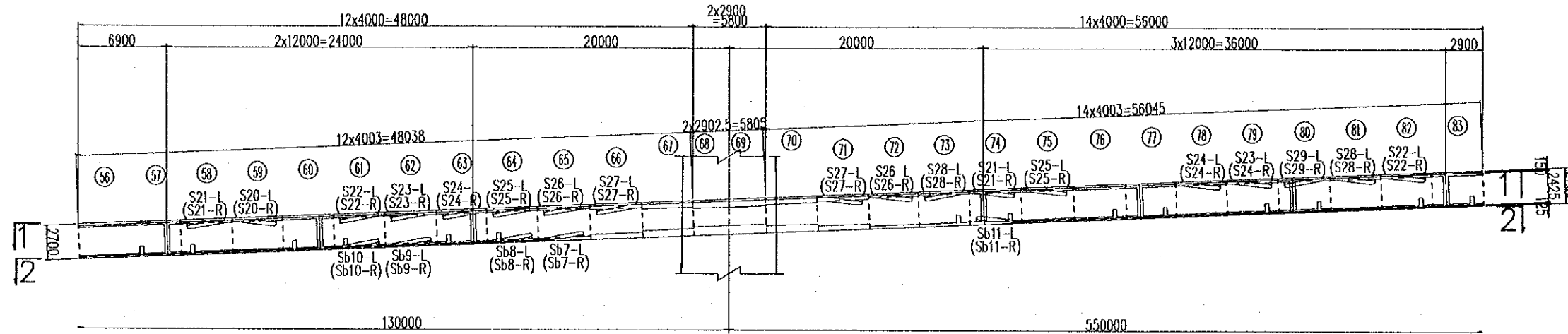


MARK
PC GIRDER L=439650
STEEL GIRDER L=105000



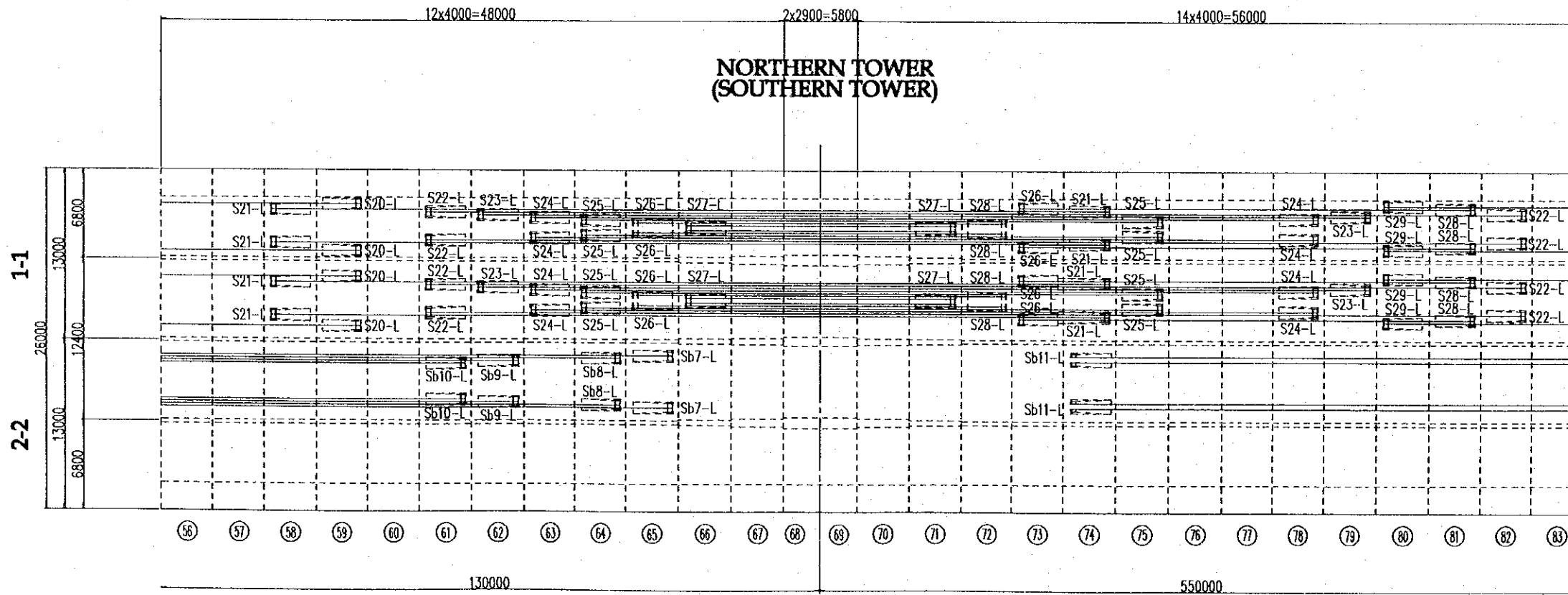
PROJECT NAME	IMPLEMENTATION AGENCY	EXECUTING AGENCY	JICA STUDY TEAM	PREPARED BY	CHECKED BY	APPROVED BY	DRAWING TITLE	DWG NO.
DETAILED DESIGN OF THE CAN THO BRIDGE CONSTRUCTION PROJECT	JICA JAPAN INTERNATIONAL COOPERATION AGENCY (JICA)	SOCIALIST REPUBLIC OF VIET NAM MINISTRY OF TRANSPORT (MOT) MY THUAN PROJECT MANAGEMENT UNIT	NIPPON KOEI CO., LTD.	S. Kiguchi	K. Matsumoto	K. Enomoto	CABLE STAYED BRIDGE SUPER STRUCTURE PC TENDON ARRANGEMENT OF GIRDER (2)	P2/CS/0110
				NAME SIGNATURE DATE	S. Kiguchi K. Matsumoto 20/9/2000	K. Enomoto 5/10/2000		

SIDE ELEVATION SCALE 1:400



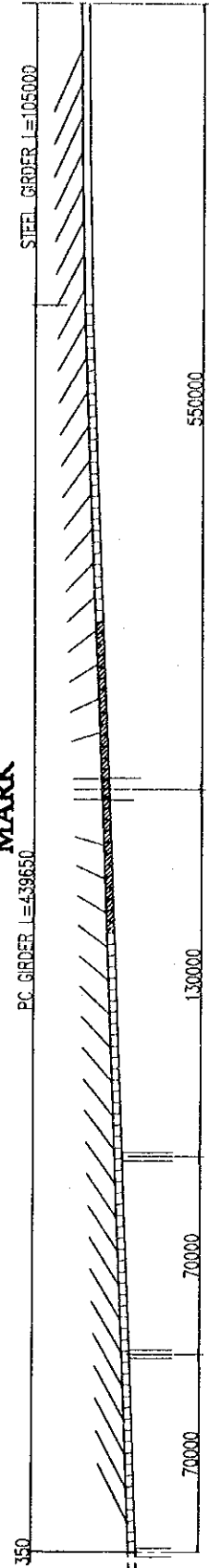
**NORTHERN TOWER
(SOUTHERN TOWER)**

PLAN SCALE 1:400



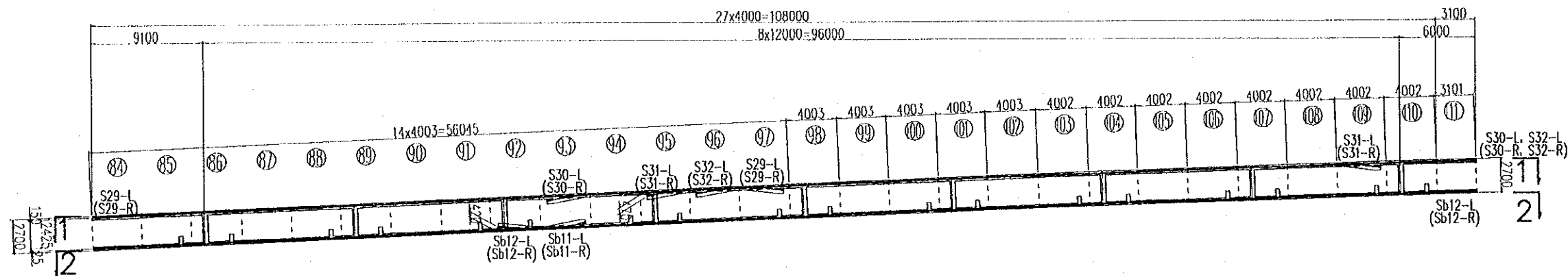
**NORTHERN TOWER
(SOUTHERN TOWER)**

MARK

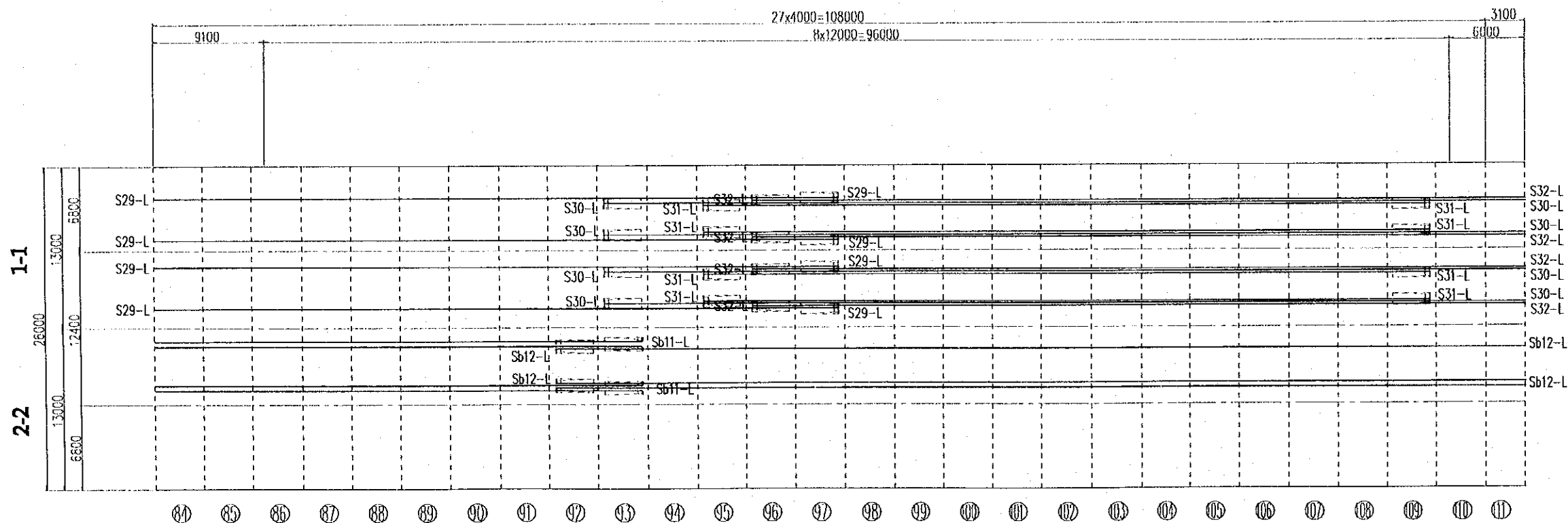


PROJECT NAME	IMPLEMENTATION AGENCY	EXCUTING AGENCY	JICA STUDY TEAM	PREPARED BY	CHECKED BY	APPROVED BY	DRAWING TITLE	DWG NO.
DETAILED DESIGN OF THE CAN THO BRIDGE CONSTRUCTION PROJECT	JICA JAPAN INTERNATIONAL COOPERATION AGENCY (JICA)	SOCIALIST REPUBLIC OF VIET NAM MINISTRY OF TRANSPORT (MOT) MY THUAN PROJECT MANAGEMENT UNIT	NIPON KOEI CO.,LTD.	S. Kiguchi	K. Matsumoto	K. Enomoto	CABLE STAYED BRIDGE SUPER STRUCTURE PC TENDON ARRANGEMENT OF GIRDER (3)	F2/CS/0120
				NAME				
				SIGNATURE				
				DATE	20/9/2000	29/9/2000	5/10/2000	

SIDE ELEVATION SCALE 1:400



PLAN SCALE 1:400



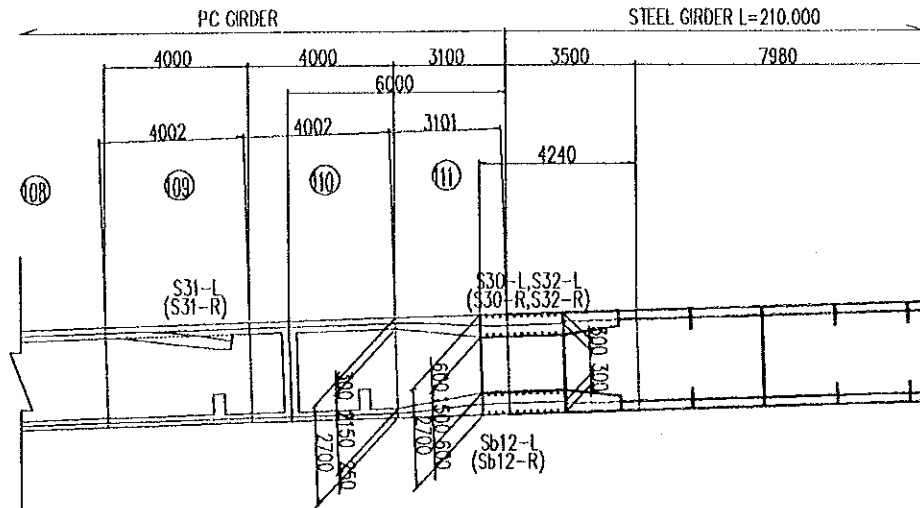
MARK

STEEL GIRDER L=105000

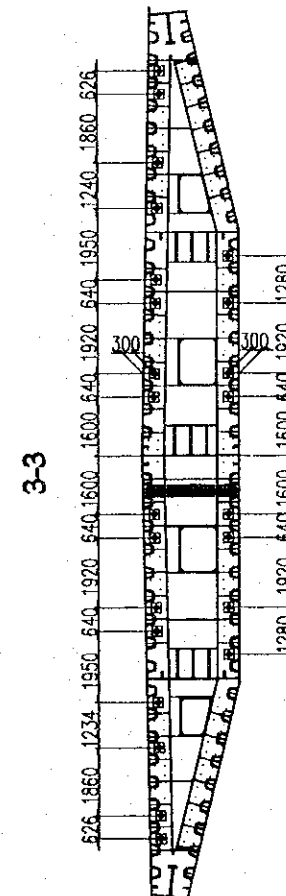
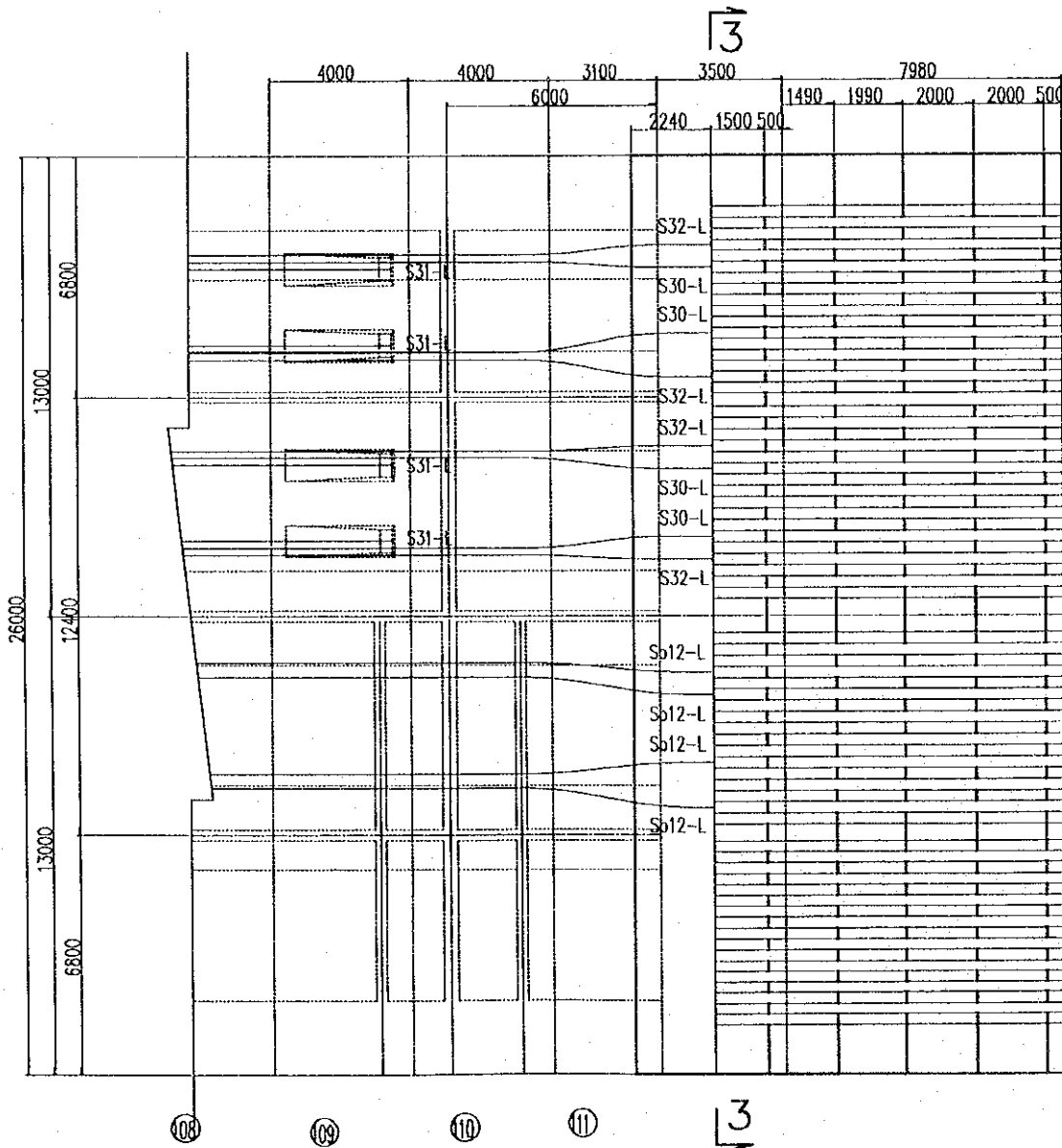
PC GIRDER L=43550

PROJECT NAME	IMPLEMENTATION AGENCY	EXECUTING AGENCY	JICA STUDY TEAM	PREPARED BY	CHECKED BY	APPROVED BY	DRAWING TITLE	DWG NO.
DETAILED DESIGN OF THE CAN THO BRIDGE CONSTRUCTION PROJECT	JICA JAPAN INTERNATIONAL COOPERATION AGENCY (JICA)	SOCIALIST REPUBLIC OF VIET NAM MINISTRY OF TRANSPORT (MOT) MY THUAN PROJECT MANAGEMENT UNIT	NIPPON KORI CO.,LTD.	S. Kiguchi	K. Matsumoto	K. Enomoto	CABLE STAYED BRIDGE SUPER STRUCTURE PC TENDON ARRANGEMENT OF GIRDER (4)	F2/CS/0130
				SIGNATURE	S. Kiguchi	K. Matsumoto		
				DATE	20/9/2000	29/9/2000	5/10/2000	

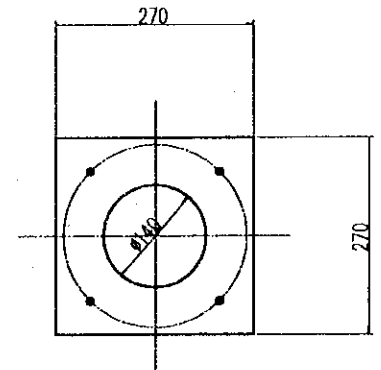
SIDE ELEVATION SCALE 1:200



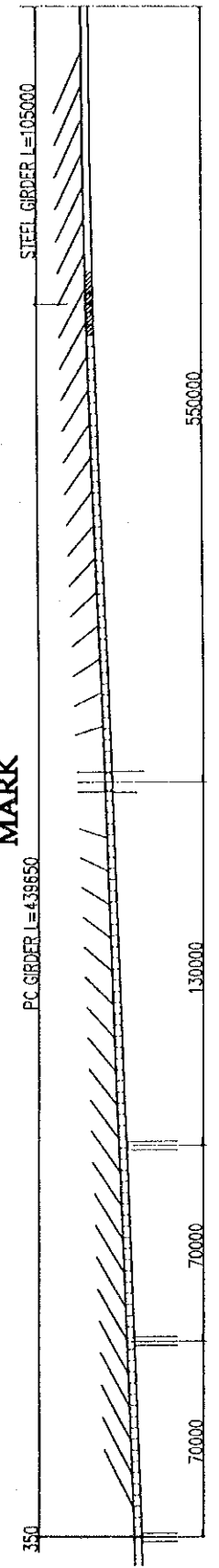
PLAN SCALE 1:200



ANCHOR PLATE SCALE 1:10

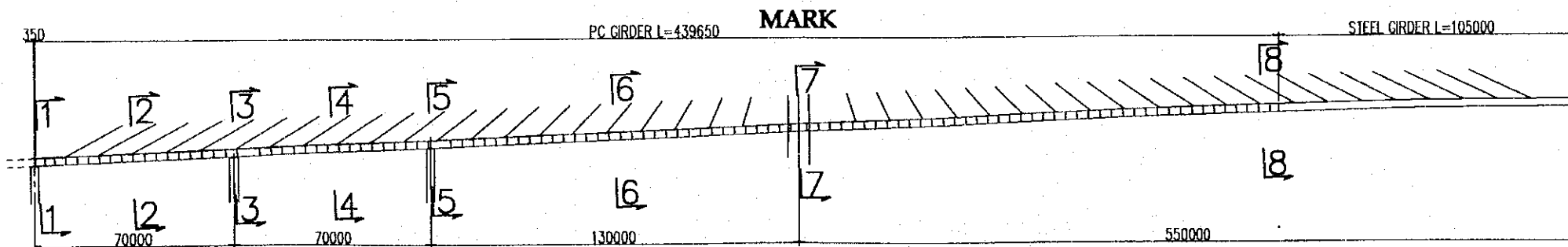
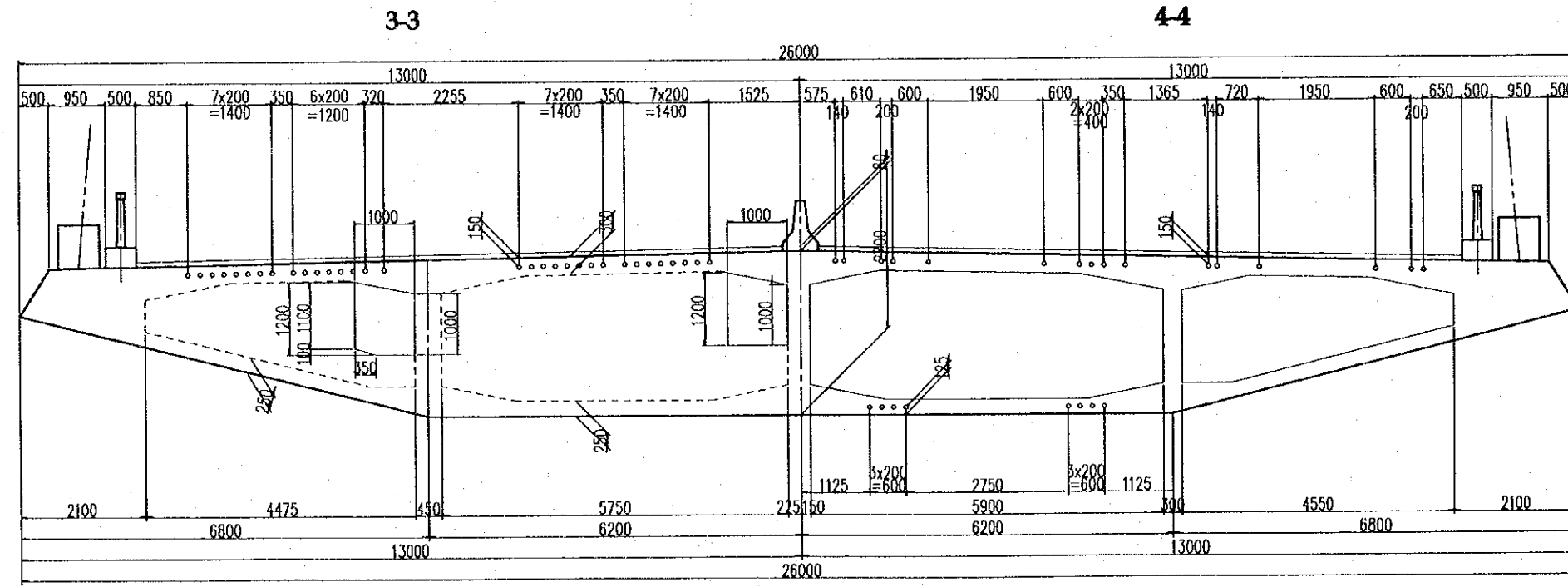
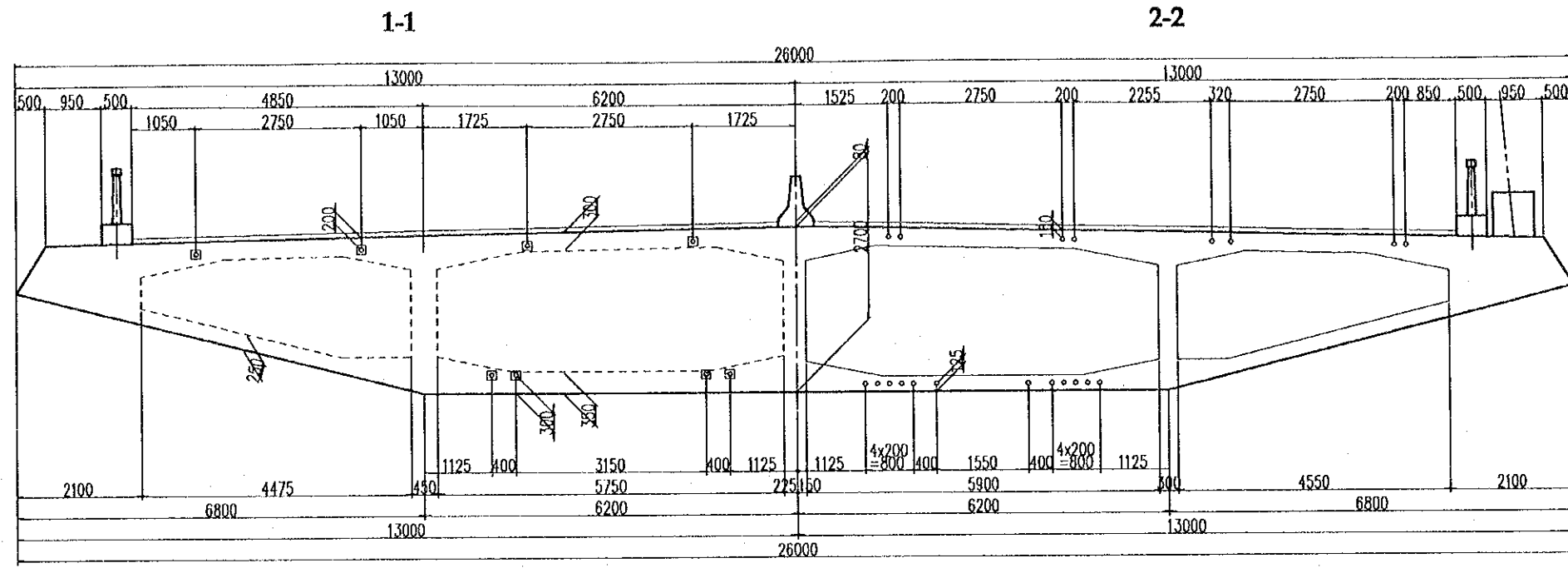


MARK



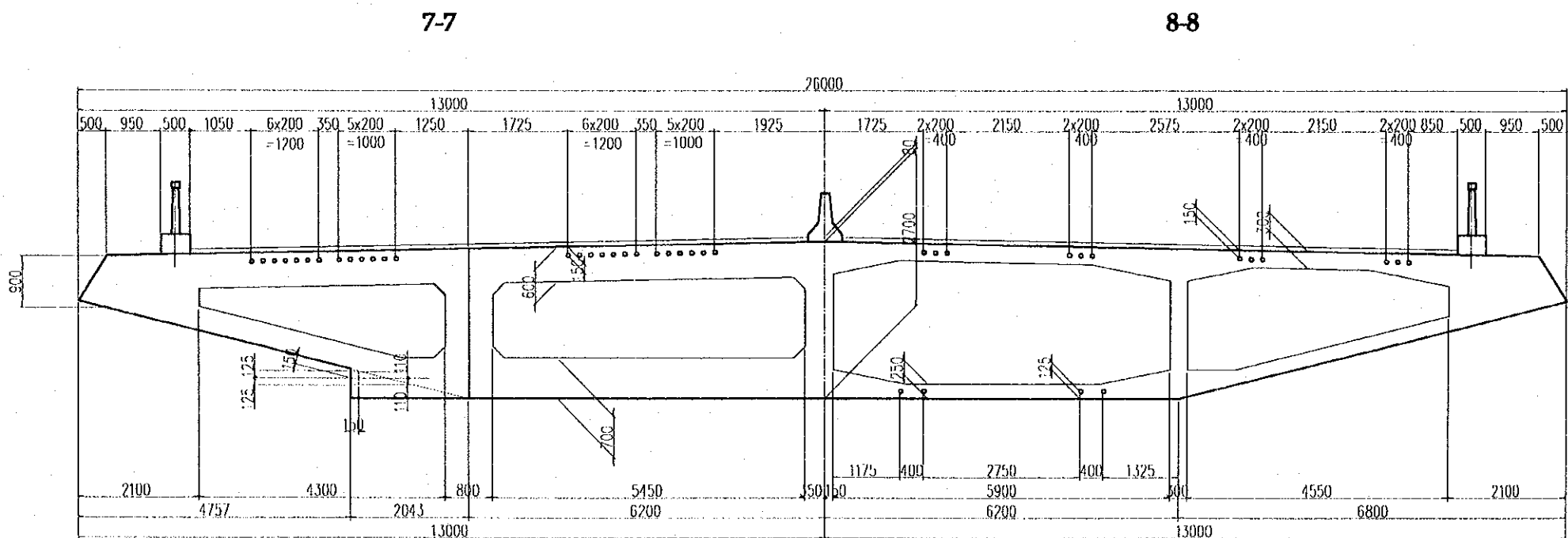
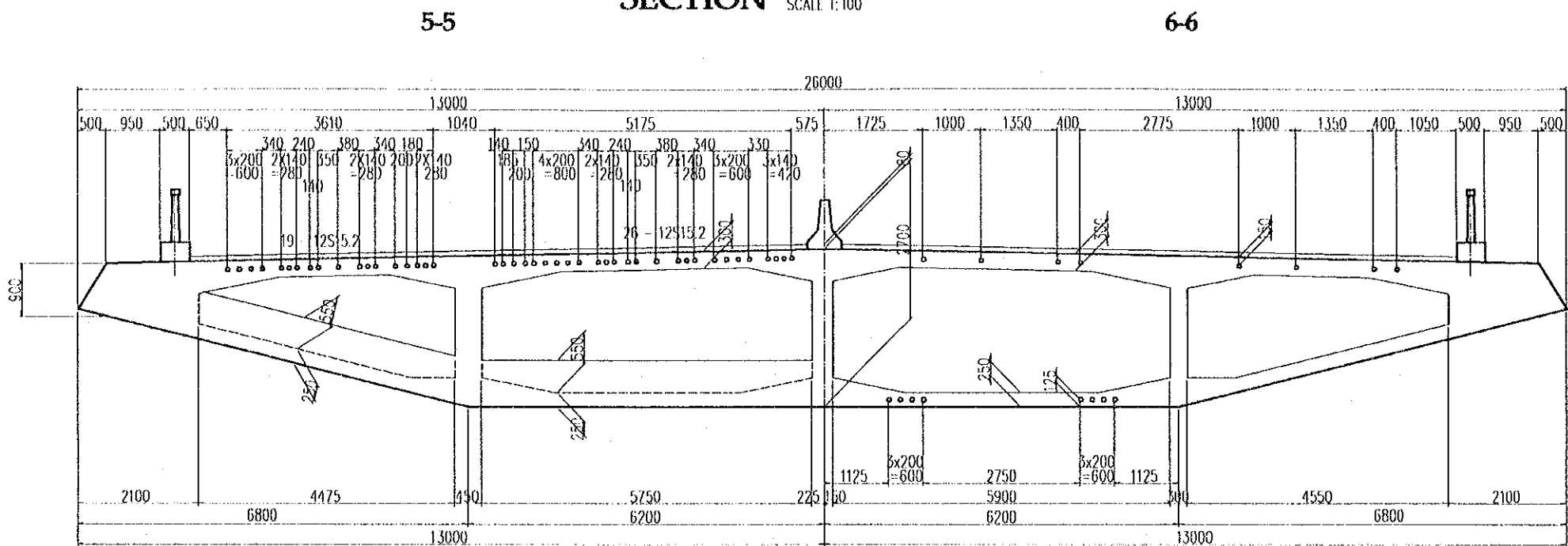
PROJECT NAME	IMPLEMENTATION AGENCY	EXECUTING AGENCY	JICA STUDY TEAM	PREPARED BY	CHECKED BY	APPROVED BY	DRAWING TITLE	DWG NO.
DETAILED DESIGN OF THE CAN THO BRIDGE CONSTRUCTION PROJECT	JICA JAPAN INTERNATIONAL COOPERATION AGENCY (JICA)	SOCIALIST REPUBLIC OF VIET NAM MINISTRY OF TRANSPORT (MOT) MY THUAN PROJECT MANAGEMENT UNIT	(NKK) NIPPON KOEI CO.,LTD.	S. Kiguchi	K. Matsumoto	K. Enomoto	CABLE STAYED BRIDGE SUPER STRUCTURE PC TENDON ARRANGEMENT OF GIRDER (5)	P2/CS/0140
				DATE: 20/9/2000	DATE: 29/9/2000	DATE: 5/10/2000		

SECTION SCALE 1:100

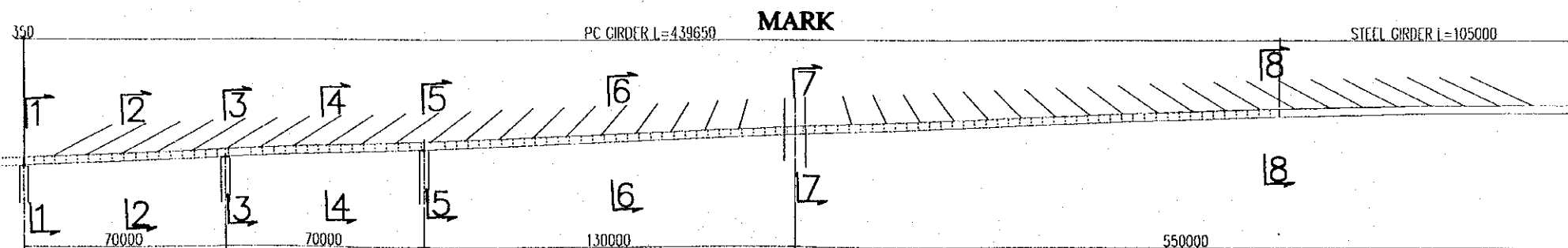


PROJECT NAME DETAILED DESIGN OF THE CAN THO BRIDGE CONSTRUCTION PROJECT	IMPLEMENTATION AGENCY JICA JAPAN INTERNATIONAL COOPERATION AGENCY (JICA)	EXECUTING AGENCY SOCIALIST REPUBLIC OF VIET NAM MINISTRY OF TRANSPORT (MOT) MY THUAN PROJECT MANAGEMENT UNIT	JICA STUDY TEAM NIPON KOEI CO.,LTD.	PREPARED BY	CHECKED BY	APPROVED BY	DRAWING TITLE CABLE STAYED BRIDGE SUPER STRUCTURE PC TENDON ARRANGEMENT OF GIRDER (6)	DWG NO. P2/CS/0150	
				NAME	S. Kiguchi	K. Matsumoto			K. Enomoto
				SIGNATURE	<i>S. Kiguchi</i>	<i>K. Matsumoto</i>			<i>K. Enomoto</i>
DATE	20/9/2000	29/9/2000	5/10/2000						

SECTION SCALE 1:100

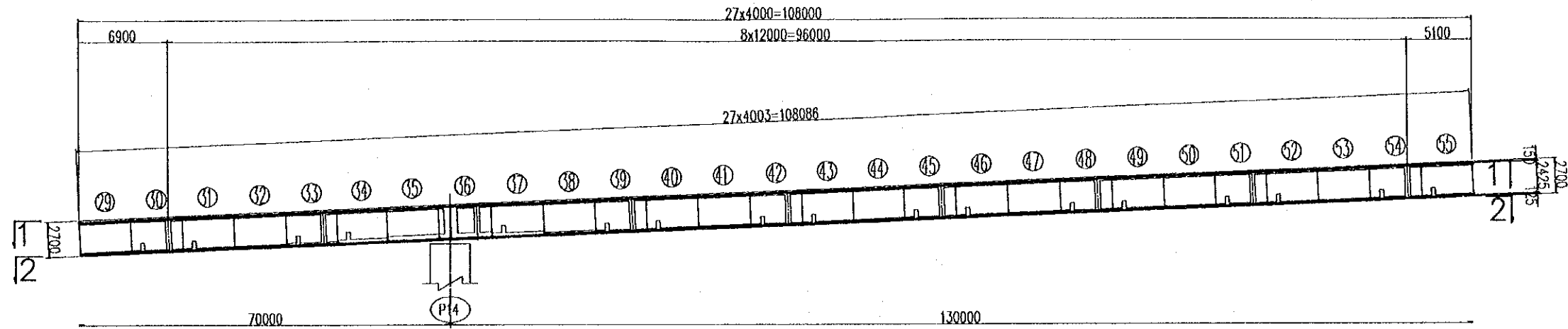


SCALE: 1:100

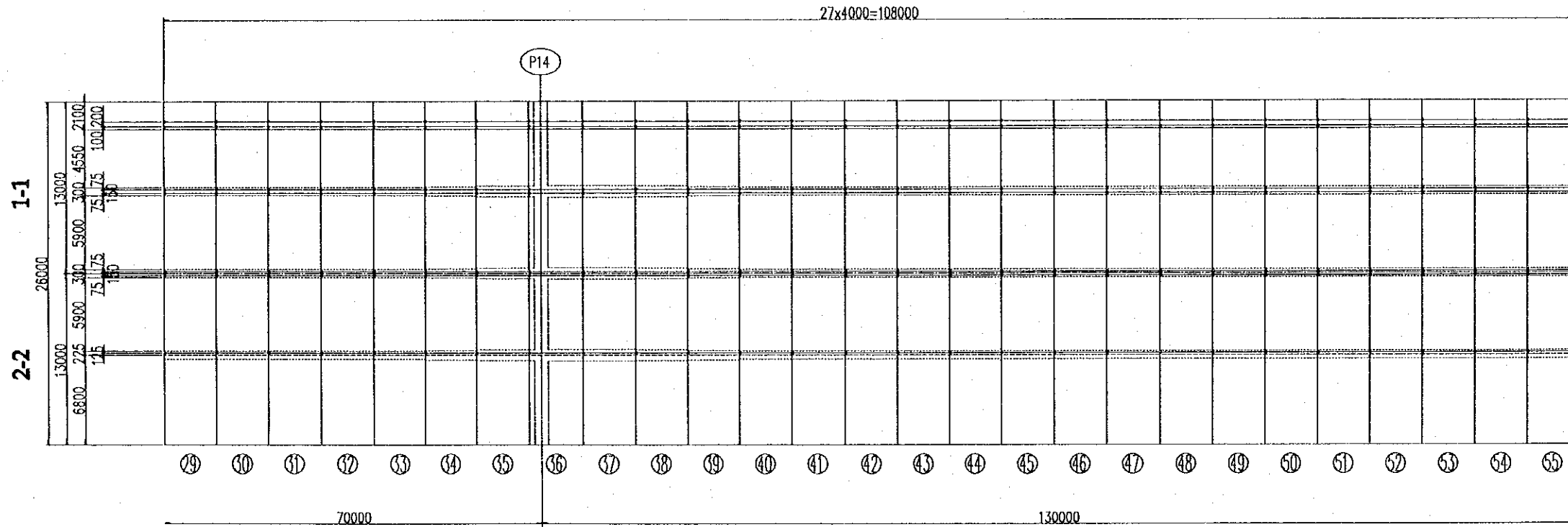


PROJECT NAME	IMPLEMENTATION AGENCY	EXECUTING AGENCY	JICA STUDY TEAM	PREPARED BY	CHECKED BY	APPROVED BY	DRAWING TITLE	DWG NO.
DETAILED DESIGN OF THE CAN THO BRIDGE CONSTRUCTION PROJECT	JICA JAPAN INTERNATIONAL COOPERATION AGENCY (JICA)	SOVIET REPUBLIC OF VIET NAM MINISTRY OF TRANSPORT (MOT) MY THUAN PROJECT MANAGEMENT UNIT	(NK) NIPPON KOEI CO., LTD.	NAME: S. Kiguchi SIGNATURE: <i>S. Kiguchi</i> DATE: 20/9/2000	NAME: K. Matsumoto SIGNATURE: <i>K. Matsumoto</i> DATE: 29/9/2000	NAME: K. Enomoto SIGNATURE: <i>K. Enomoto</i> DATE: 5/10/2000	CABLE STAYED BRIDGE SUPER STRUCTURE PC TENDON ARRANGEMENT OF GIRDER (7)	P2/CS/0160

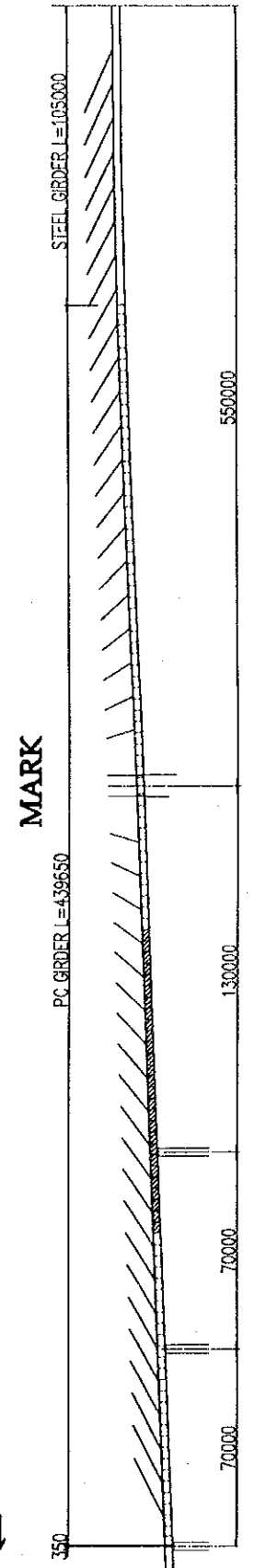
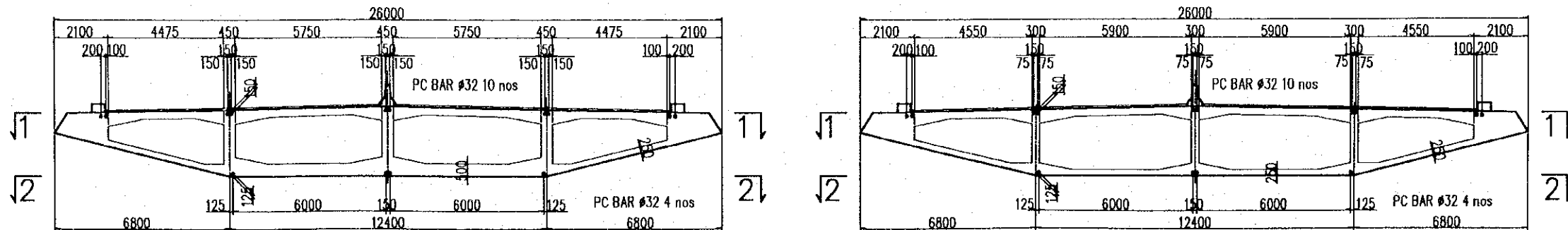
SIDE ELEVATION SCALE 1:400



PLAN SCALE 1:400

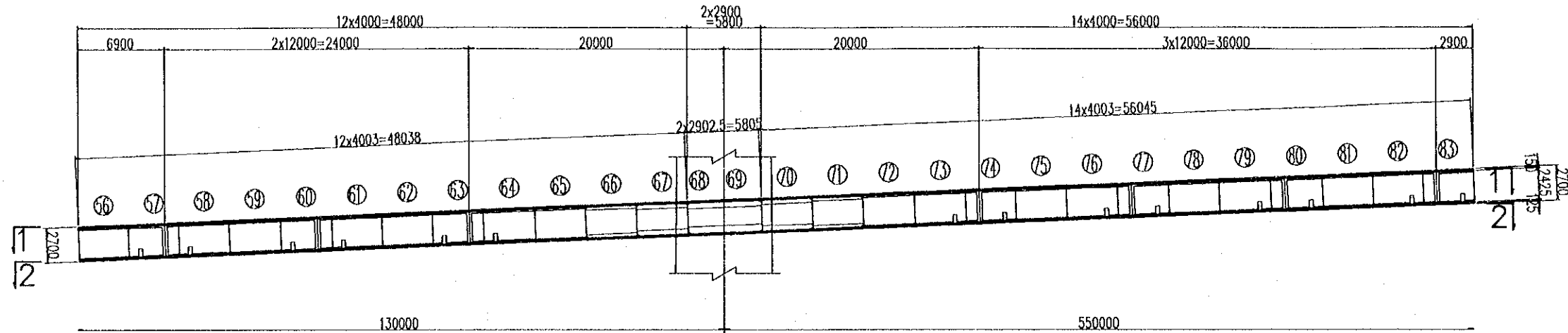


TYPICAL SECTION SCALE 1:200



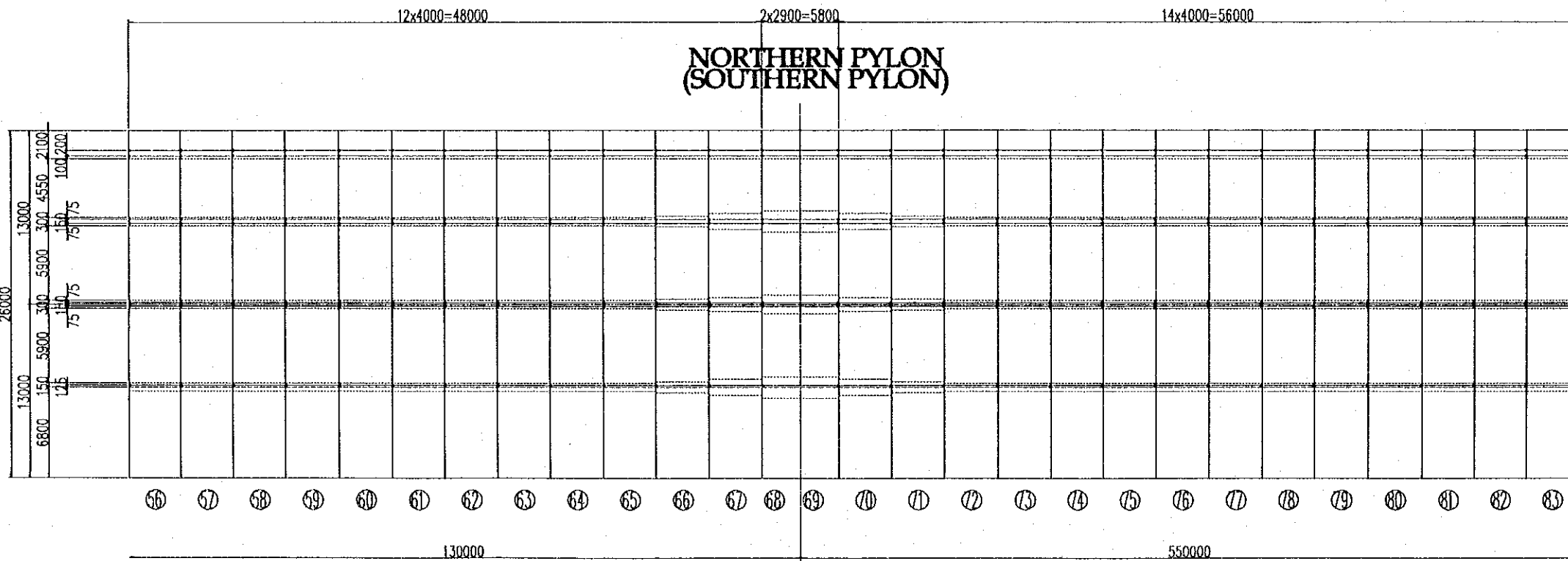
PROJECT NAME DETAILED DESIGN OF THE CAN THO BRIDGE CONSTRUCTION PROJECT	IMPLEMENTATION AGENCY JICA JAPAN INTERNATIONAL COOPERATION AGENCY (JICA)	EXECUTING AGENCY SOCIALIST REPUBLIC OF VIET NAM MINISTRY OF TRANSPORT (MOT) MY THUAN PROJECT MANAGEMENT UNIT	JICA STUDY TEAM NIPPON KOEI CO.,LTD.	PREPARED BY NAME: S. Kiguchi SIGNATURE: <i>S. Kiguchi</i> DATE: 20/9/2000	CHECKED BY K. Matsumoto SIGNATURE: <i>K. Matsumoto</i> DATE: 29/9/2000	APPROVED BY K. Enomoto SIGNATURE: <i>K. Enomoto</i> DATE: 5/10/2000	DRAWING TITLE CABLE STAYED BRIDGE SUPER STRUCTURE PC BAR ARRANGEMENT OF GIRDER (2)	DWG NO. P2/CS/0180
---	---	--	--	---	--	---	--	------------------------------

SIDE ELEVATION SCALE 1:400



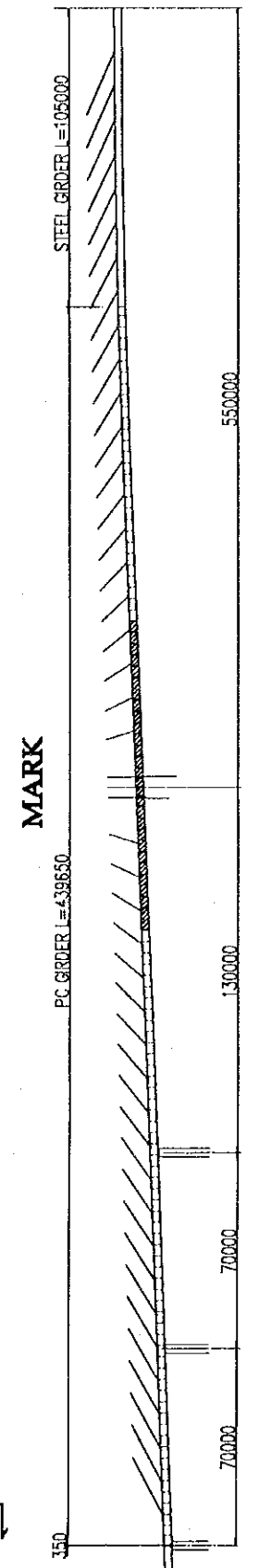
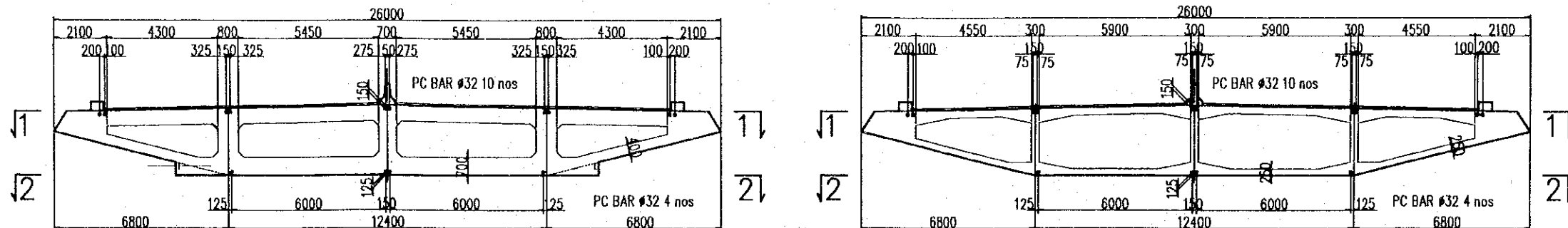
**NORTHERN PYLON
(SOUTHERN PYLON)**

PLAN SCALE 1:400



**NORTHERN PYLON
(SOUTHERN PYLON)**

TYPICAL SECTION SCALE 1:200



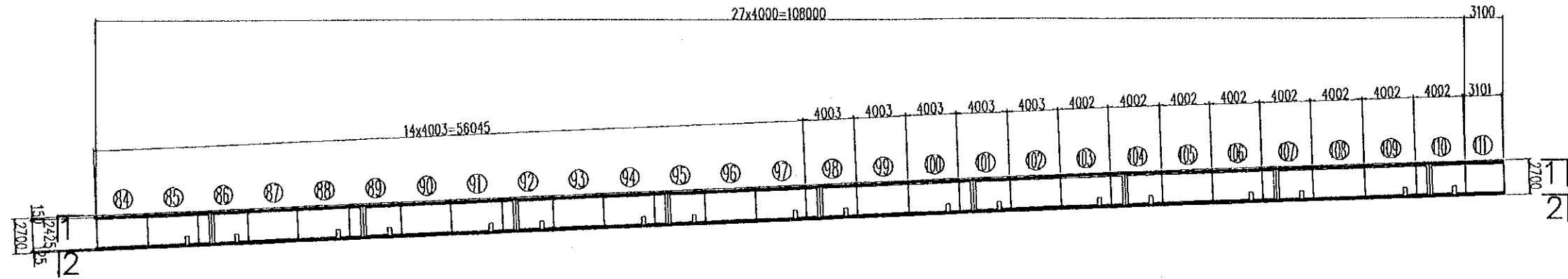
MARK

PC GIRDER L=439650

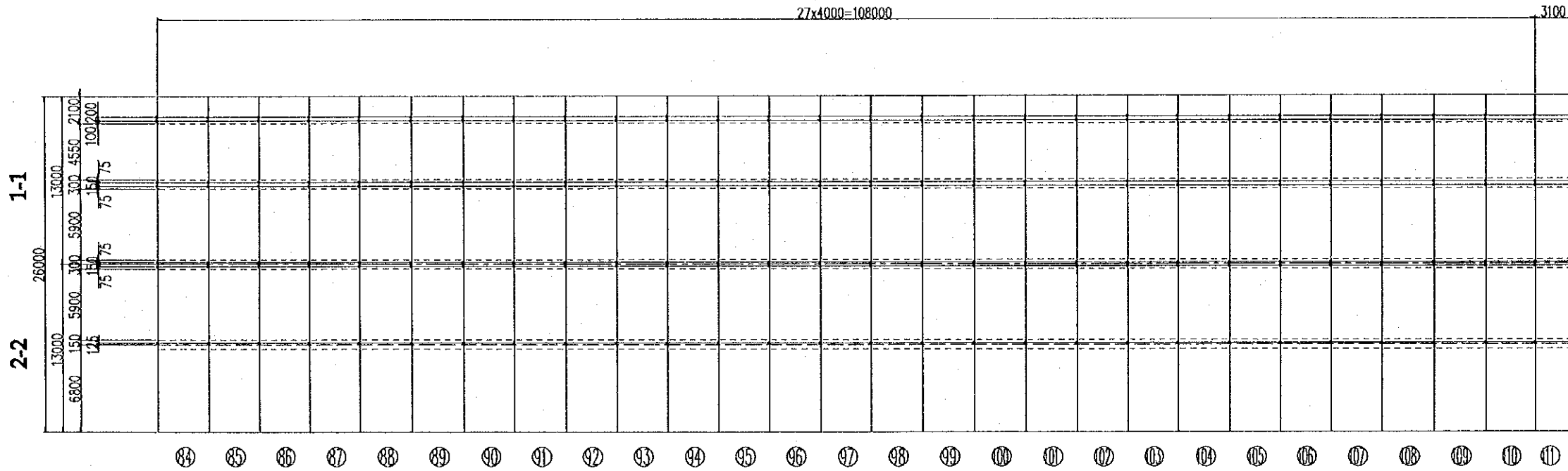
STEEL GIRDER L=105000

PROJECT NAME	IMPLEMENTATION AGENCY	EXECUTING AGENCY	JICA STUDY TEAM	PREPARED BY	CHECKED BY	APPROVED BY	DRAWING TITLE	DWG NO.
DETAILED DESIGN OF THE CAN THO BRIDGE CONSTRUCTION PROJECT	JICA JAPAN INTERNATIONAL COOPERATION AGENCY (JICA)	SOCIALIST REPUBLIC OF VIET NAM MINISTRY OF TRANSPORT (MOT) MY THUAN PROJECT MANAGEMENT UNIT	NIPPON KOEI CO., LTD.	S. Kiguchi	K. Matsumoto	K. Enomoto	CABLE STAYED BRIDGE SUPER STRUCTURE PC BAR ARRANGEMENT OF GIRDER (3)	P2/CS/0190
				DATE: 20/9/2000	DATE: 29/9/2000	DATE: 5/10/2000		

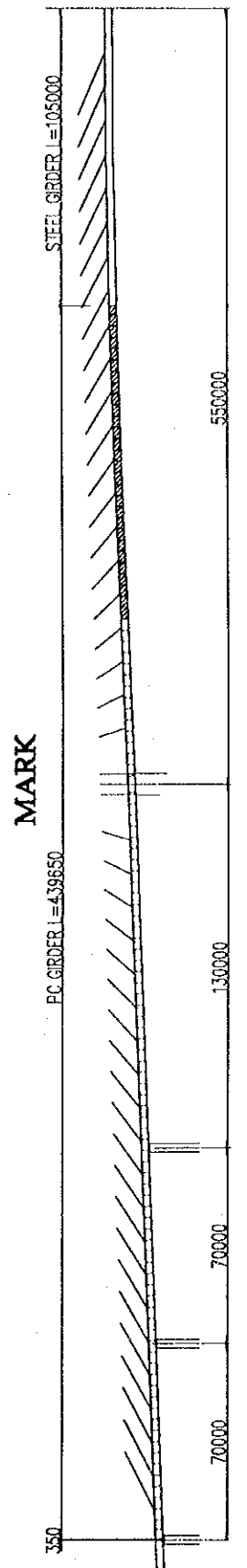
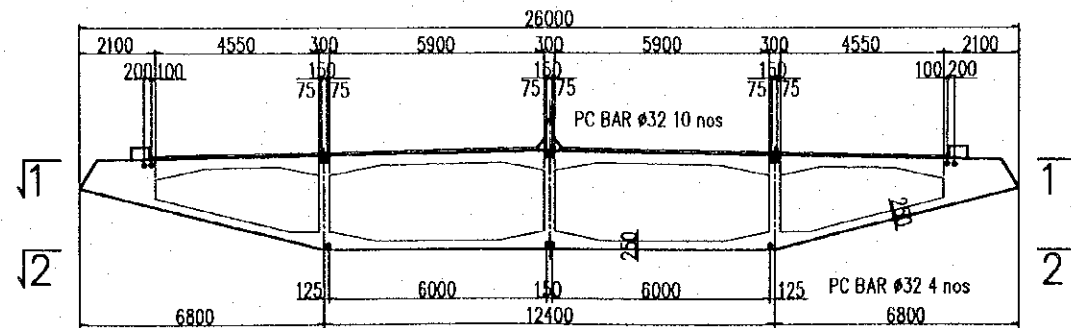
SIDE ELEVATION SCALE 1:400



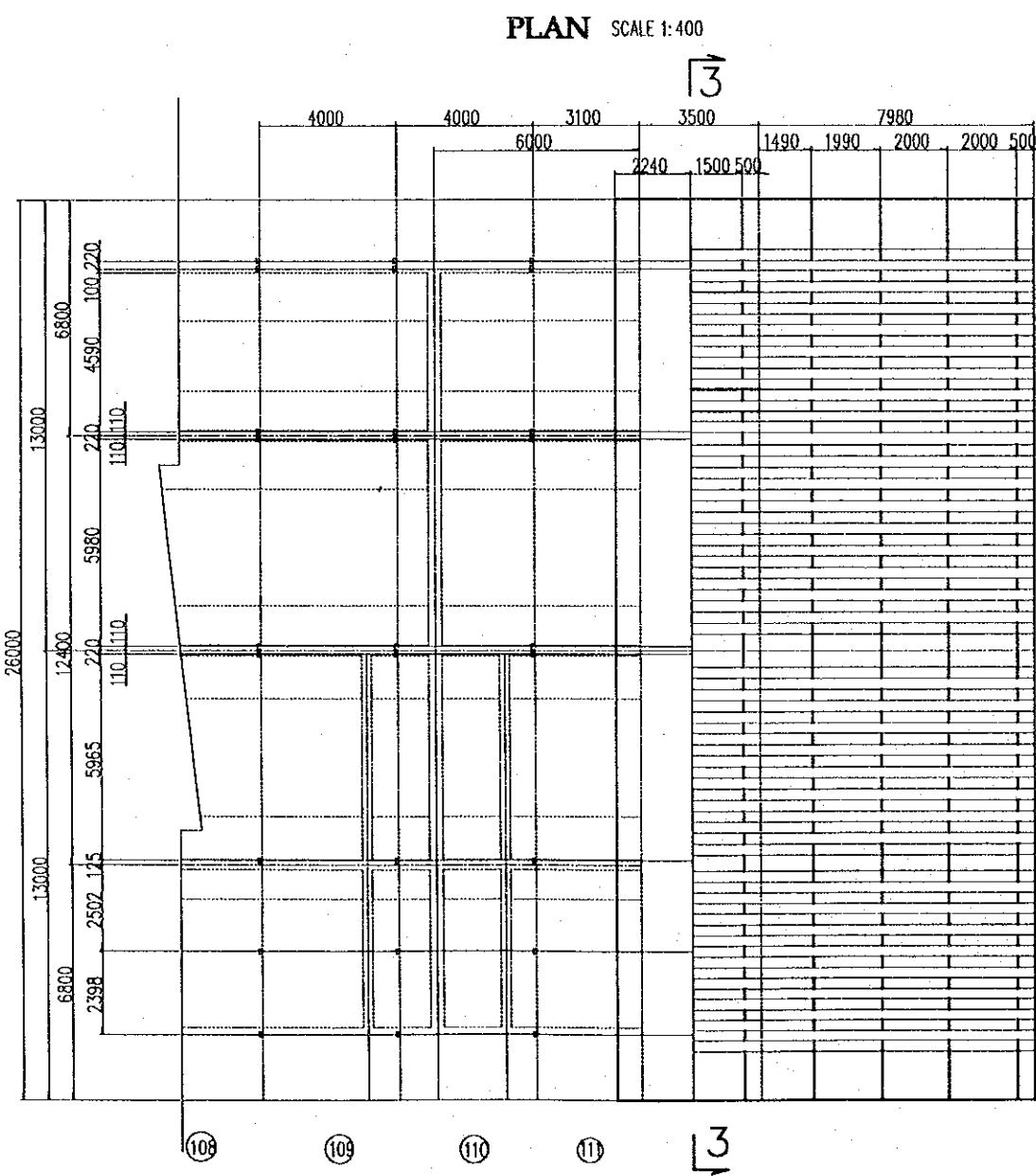
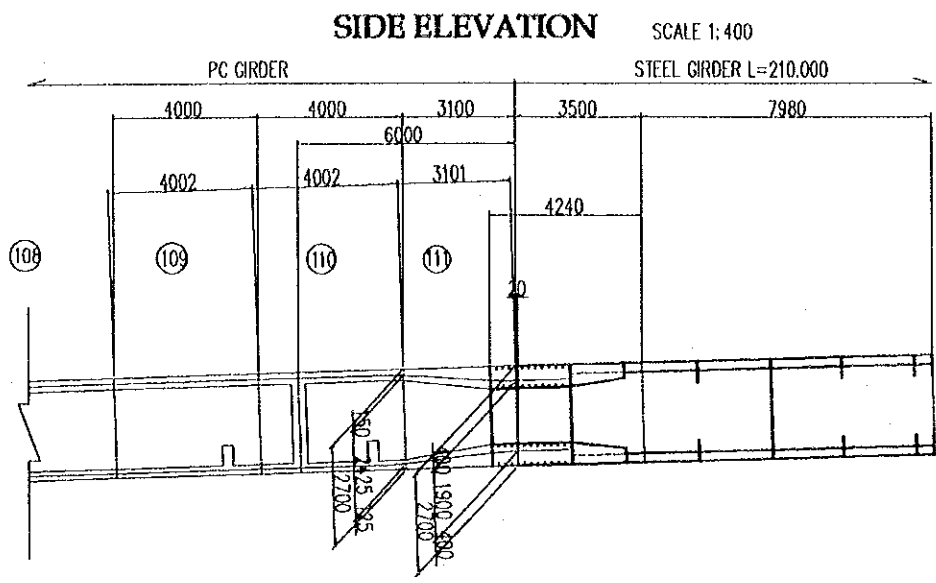
PLAN SCALE 1:400



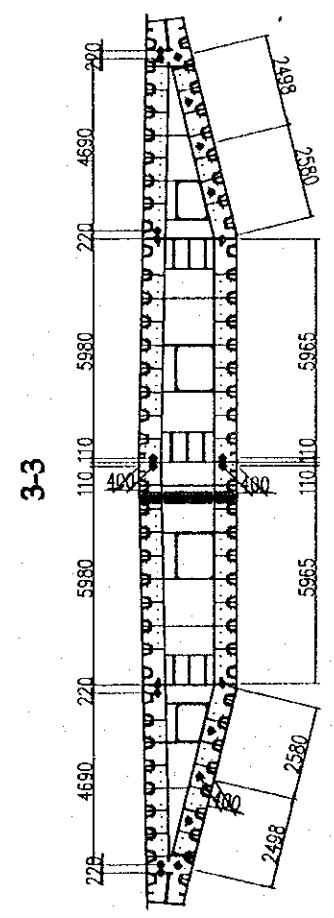
TYPICAL SECTION SCALE 1:400



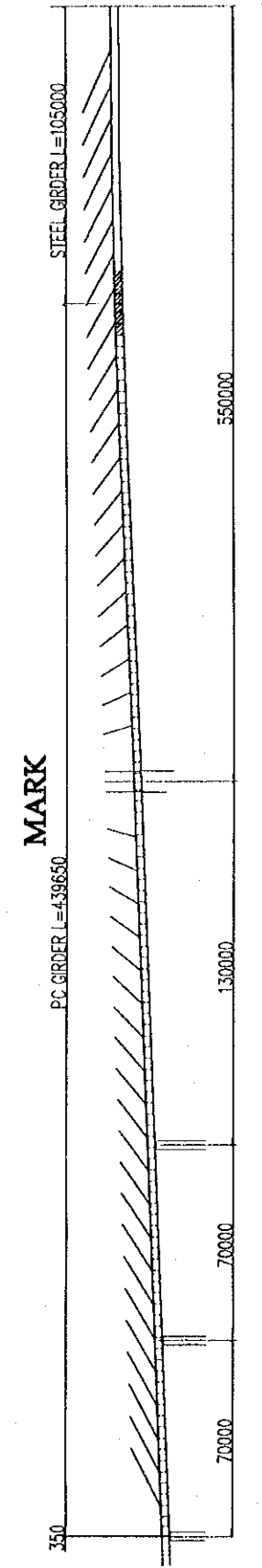
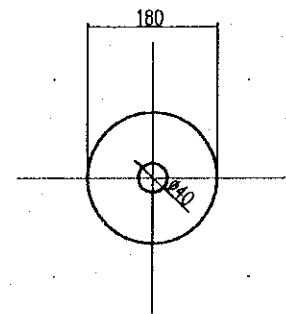
PROJECT NAME DETAILED DESIGN OF THE CAN THO BRIDGE CONSTRUCTION PROJECT	IMPLEMENTATION AGENCY JICA JAPAN INTERNATIONAL COOPERATION AGENCY (JICA)	EXECUTING AGENCY SOCIALIST REPUBLIC OF VIET NAM MINISTRY OF TRANSPORT (MOT) MY THUAN PROJECT MANAGEMENT UNIT	JICA STUDY TEAM ONK NIPPON KORI CO.,LTD.	PREPARED BY	CHECKED BY	APPROVED BY	DRAWING TITLE CABLE STAYED BRIDGE SUPER STRUCTURE PC BAR ARRANGEMENT OF GIRDER (4)	DWG NO. P2/CS/0200	
				NAME	S. Kiguchi	K. Matsumoto			K. Enomoto
				SIGNATURE	<i>S. Kiguchi</i>	<i>K. Matsumoto</i>			<i>K. Enomoto</i>
DATE	20/9/2000	29/9/2000	5/10/2000						



1-1
2-2

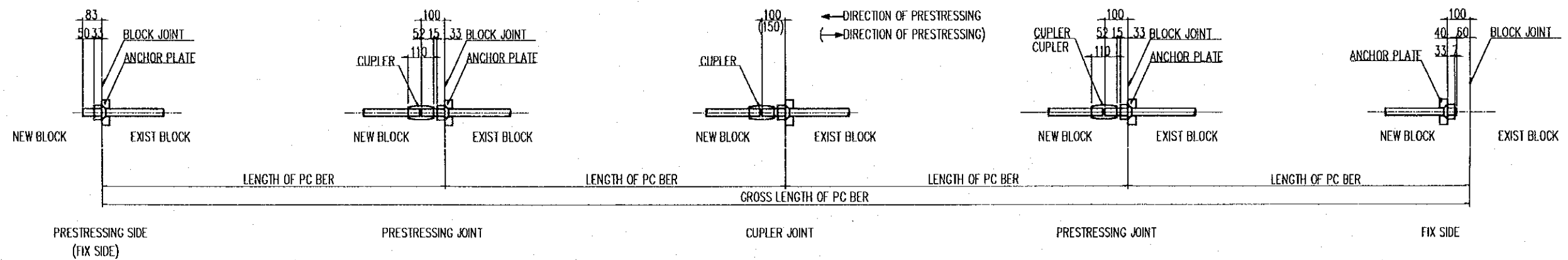
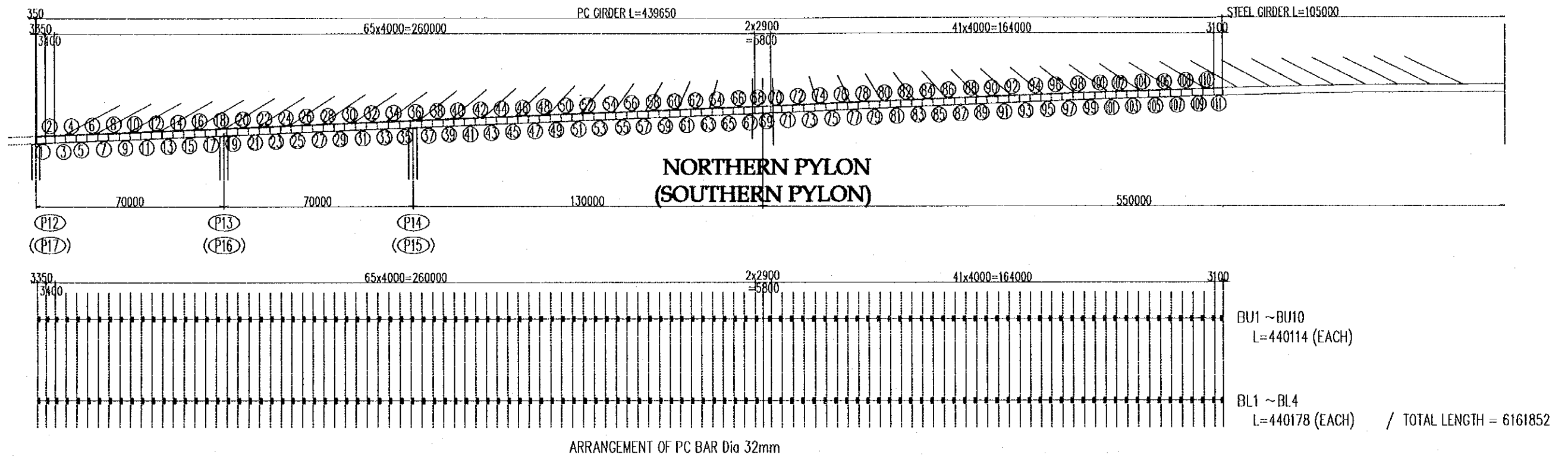


ANCHOR PLATE
SCALE 1:10

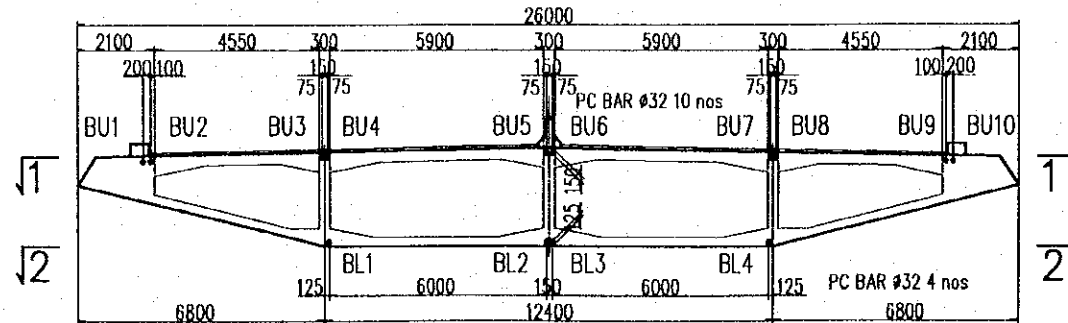


PROJECT NAME	IMPLEMENTATION AGENCY	EXECUTING AGENCY	JICA STUDY TEAM	PREPARED BY	CHECKED BY	APPROVED BY	DRAWING TITLE	DWG NO.
DETAILED DESIGN OF THE CAN THO BRIDGE CONSTRUCTION PROJECT	JAPAN INTERNATIONAL COOPERATION AGENCY (JICA)	SOCCIALIST REPUBLIC OF VIET NAM MINISTRY OF TRANSPORT (MOT) MY THUAN PROJECT MANAGEMENT UNIT	NIPPON KOKI CO.,LTD.	NAME: S. Kiguchi SIGNATURE: <i>S. Kiguchi</i> DATE: 20/9/2000	NAME: K. Matsumoto SIGNATURE: <i>K. Matsumoto</i> DATE: 29/9/2000	NAME: K. Enomoto SIGNATURE: <i>K. Enomoto</i> DATE: 5/10/2000	CABLE STAYED BRIDGE SUPER STRUCTURE PC BAR ARRANGEMENT OF GIRDER (5)	P2/CS/0210

SIDE ELEVATION SCALE 1:1600

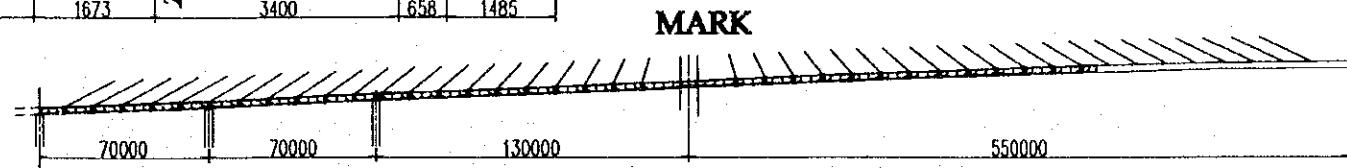
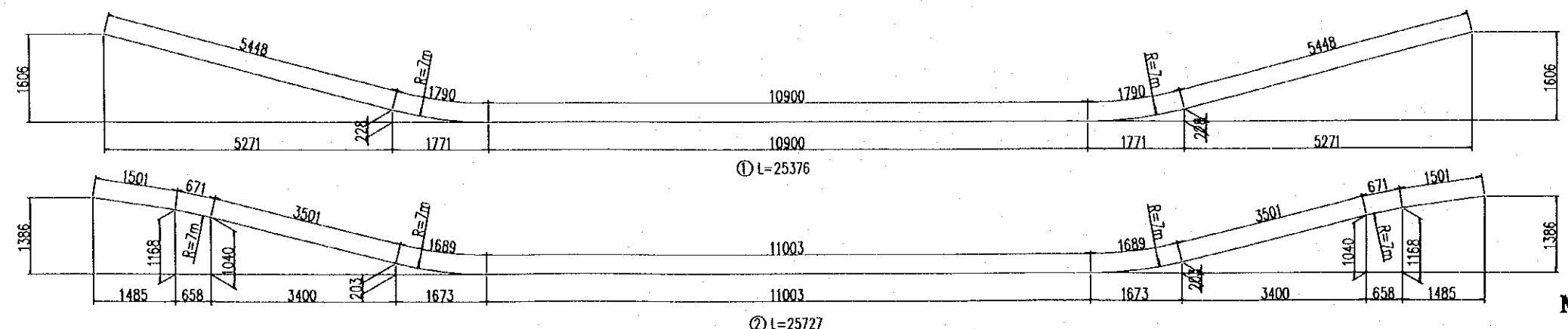
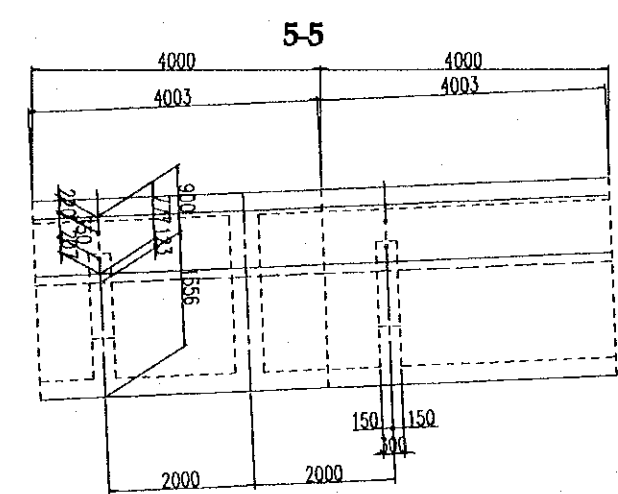
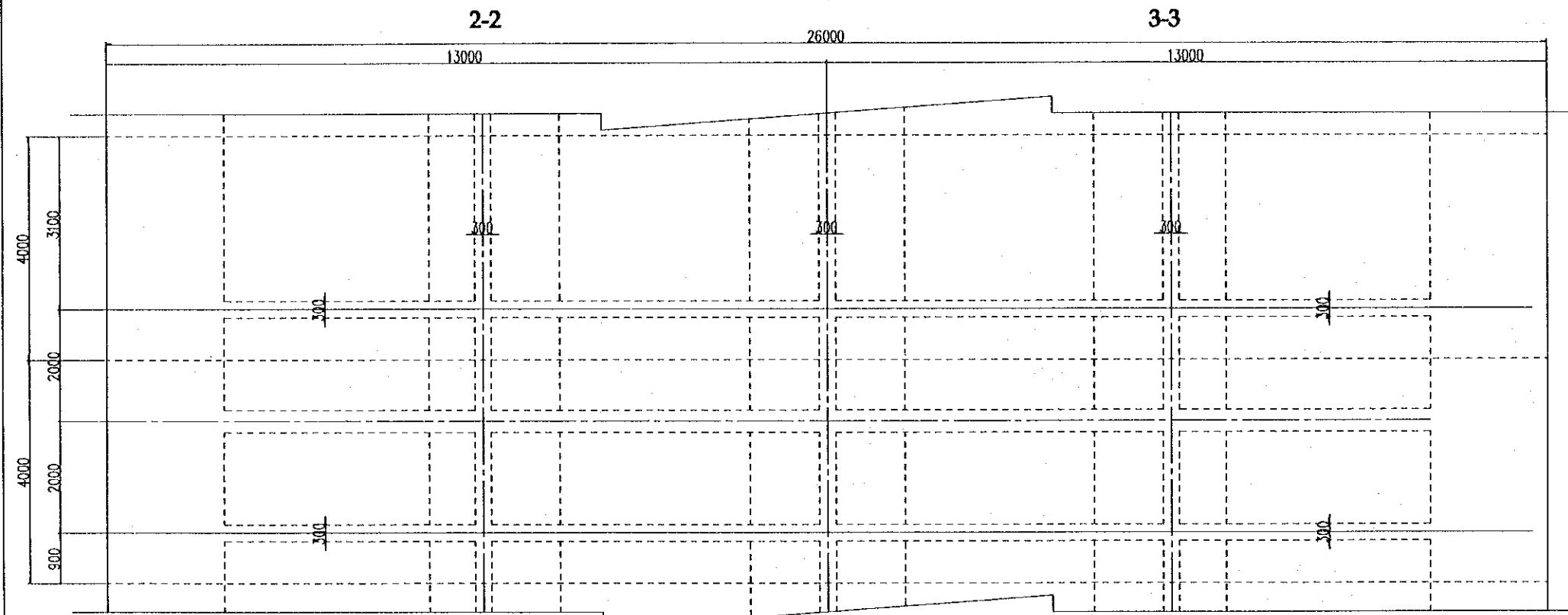
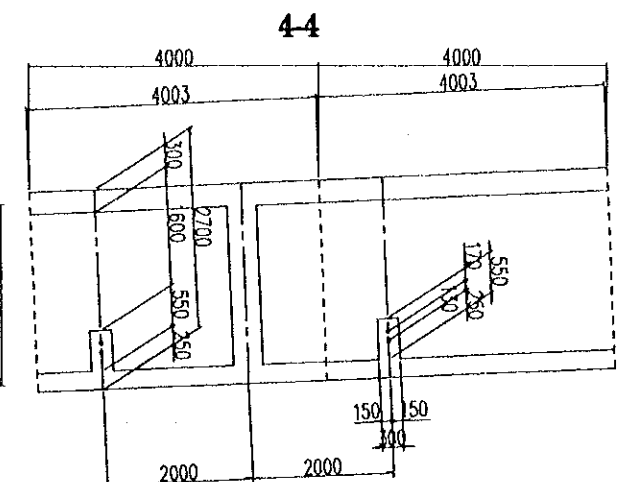
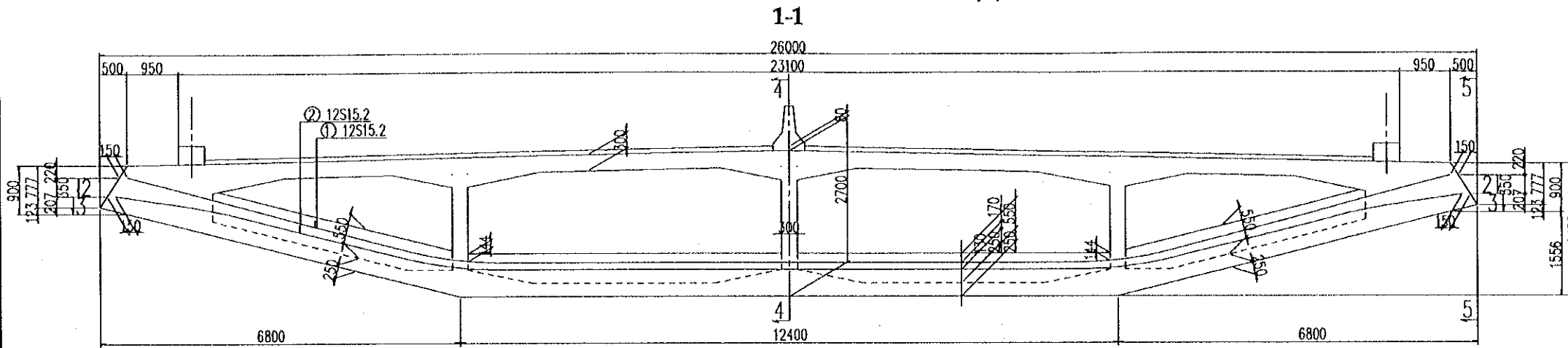


SECTION SCALE 1:200



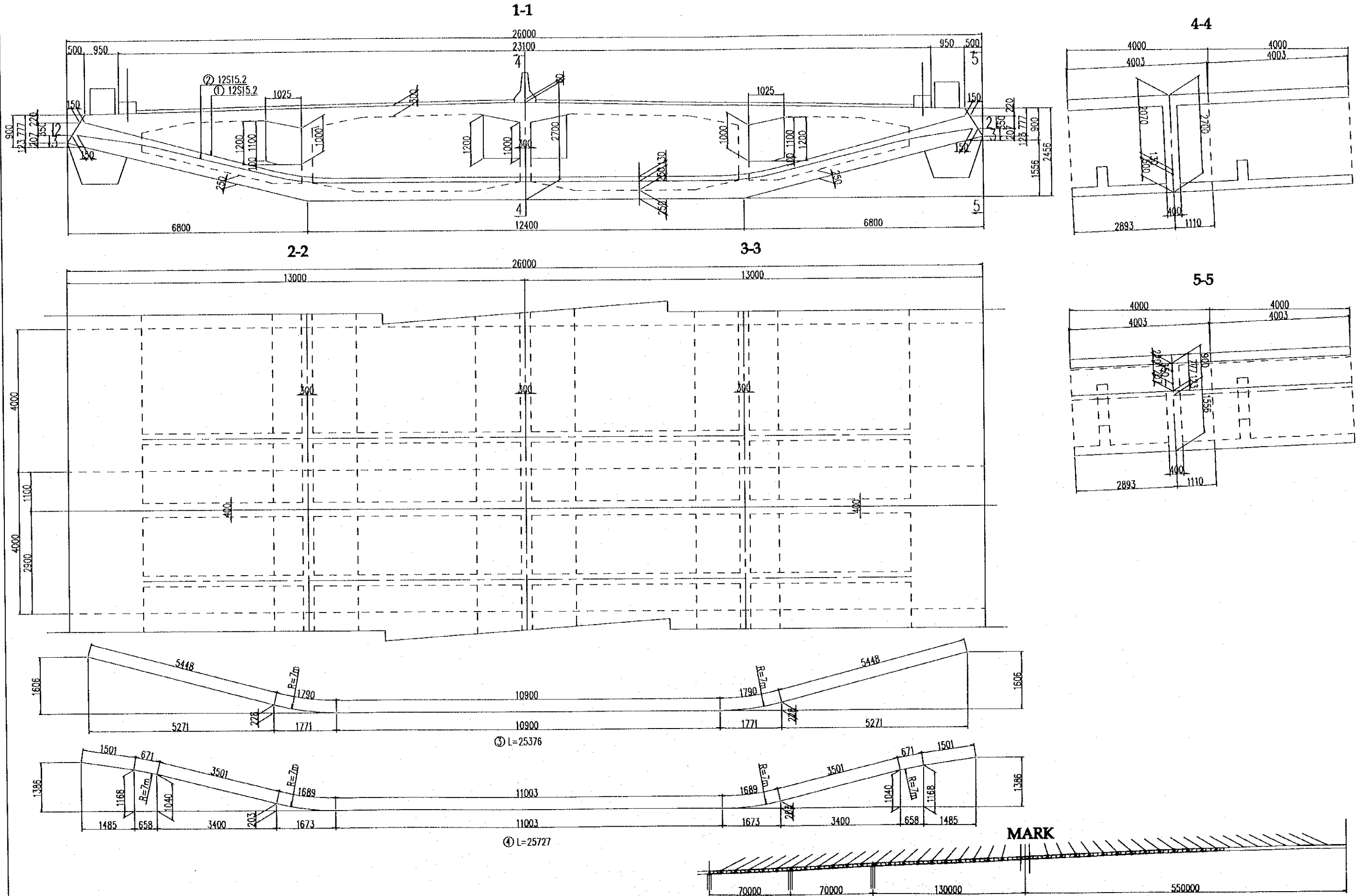
PROJECT NAME	IMPLEMENTATION AGENCY	EXECUTING AGENCY	JICA STUDY TEAM	PREPARED BY	CHECKED BY	APPROVED BY	DRAWING TITLE	DWG NO.
				NAME	NAME	NAME		
DETAILED DESIGN OF THE CAN THO BRIDGE CONSTRUCTION PROJECT	JAPAN INTERNATIONAL COOPERATION AGENCY (JICA)	SOCIALIST REPUBLIC OF VIET NAM MINISTRY OF TRANSPORT (MOT) MY THUAN PROJECT MANAGEMENT UNIT	NIPPON KOEI CO.,LTD.	S. Kiguchi	K. Matsumoto	K. Enomoto	CABLE STAYED BRIDGE SUPER STRUCTURE PC BAR ARRANGEMENT OF GIRDER (6)	P2/CS/0220
				<i>S. Kiguchi</i>	<i>K. Matsumoto</i>	<i>K. Enomoto</i>		
				20/9/2000	29/9/2000	5/10/2000		

TRANSVERSE PRESTRESSING (1) SCALE 1:100



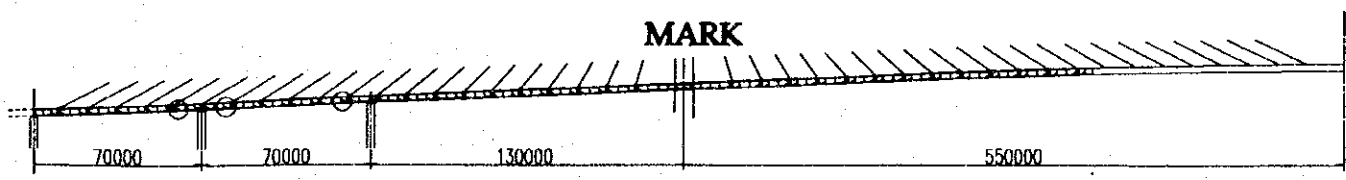
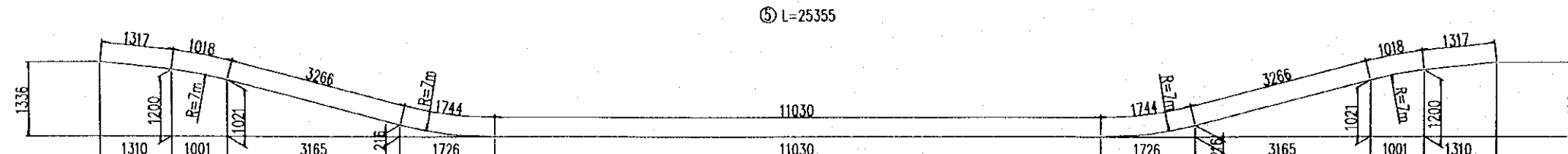
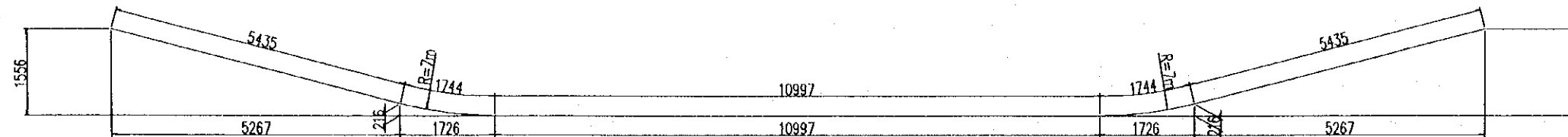
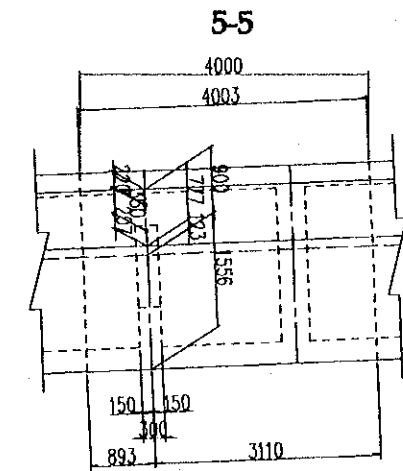
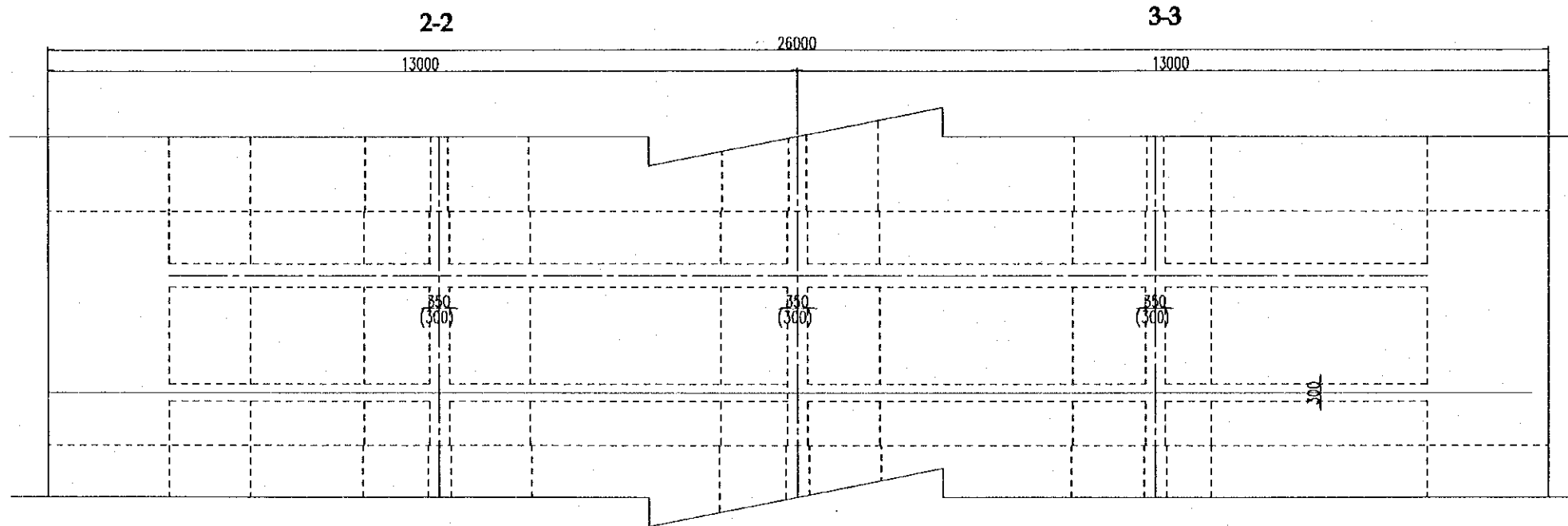
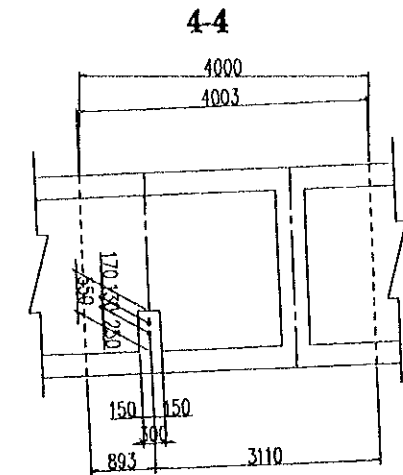
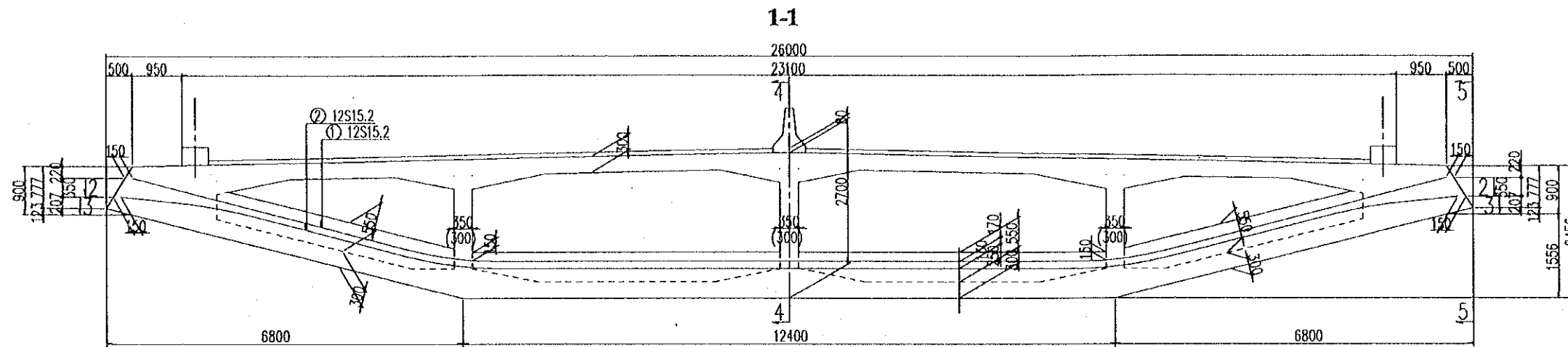
PROJECT NAME DETAILED DESIGN OF THE CAN THO BRIDGE CONSTRUCTION PROJECT	IMPLEMENTATION AGENCY JICA JAPAN INTERNATIONAL COOPERATION AGENCY (JICA)	EXECUTING AGENCY SOCIALIST REPUBLIC OF VIET NAM MINISTRY OF TRANSPORT (MOT) MY THUAN PROJECT MANAGEMENT UNIT	JICA STUDY TEAM NIPPON KORI CO., LTD.	PREPARED BY NAME: S. Kiguchi	CHECKED BY NAME: K. Matsumoto	APPROVED BY NAME: K. Enomoto	DRAWING TITLE CABLE STAYED BRIDGE SUPER STRUCTURE TRANSVERSE PRESTRESSING (1)	DWG NO. P2/CS/0230
				SIGNATURE: <i>S. Kiguchi</i>	SIGNATURE: <i>K. Matsumoto</i>	SIGNATURE: <i>K. Enomoto</i>		
				DATE: 20/9/2000	DATE: 29/9/2000	DATE: 5/10/2000		

TRANSVERSE PRESTRESSING (2) SCALE 1:100



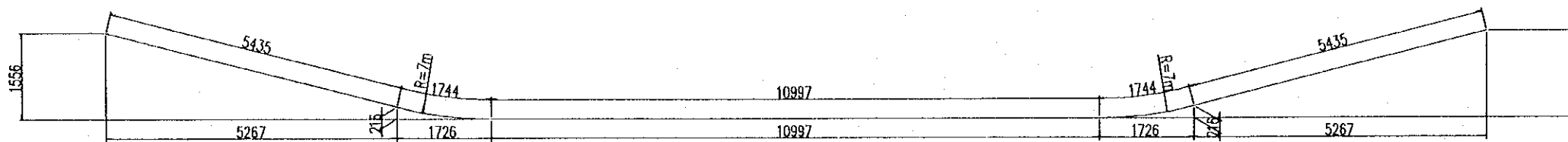
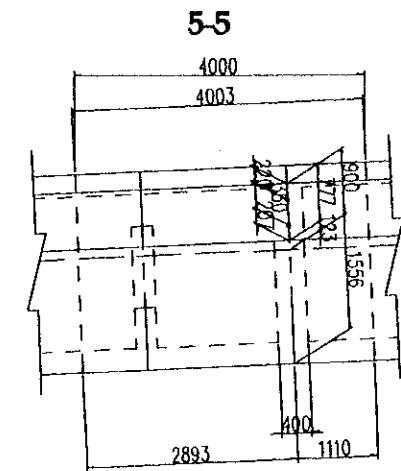
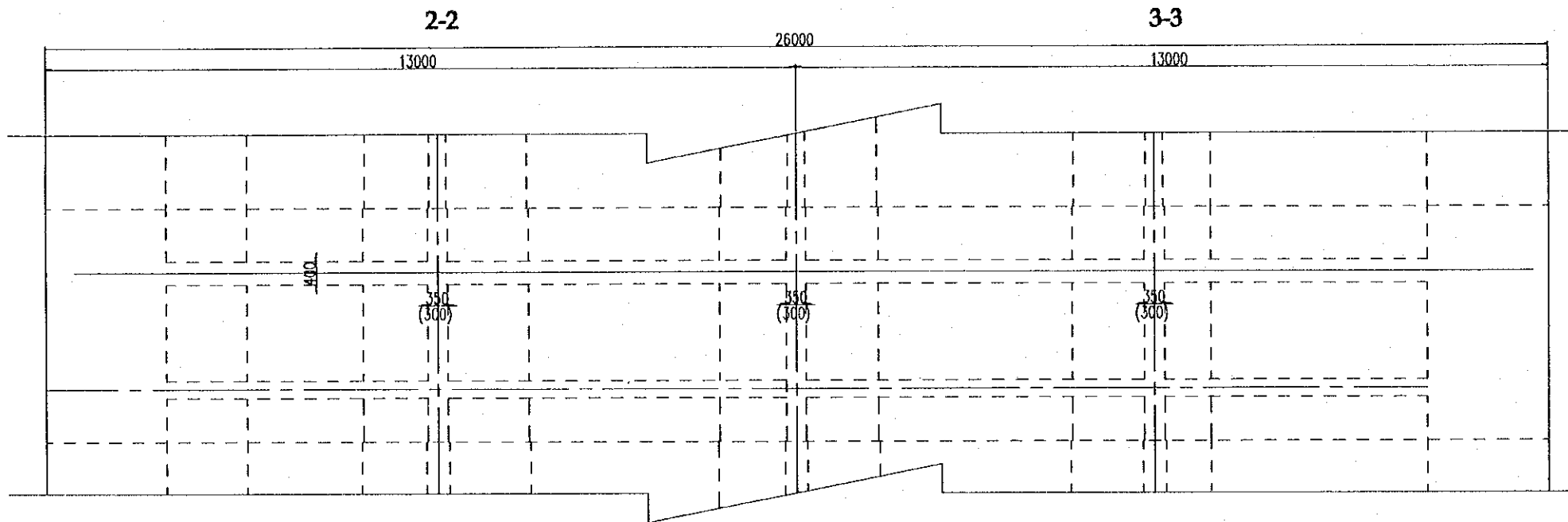
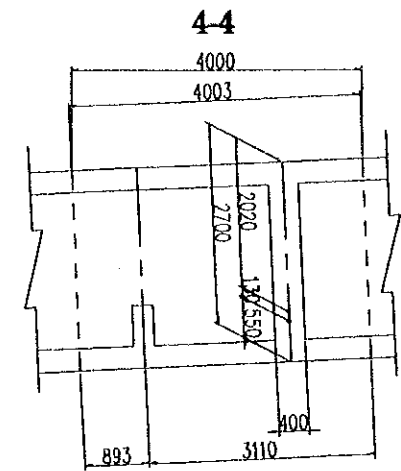
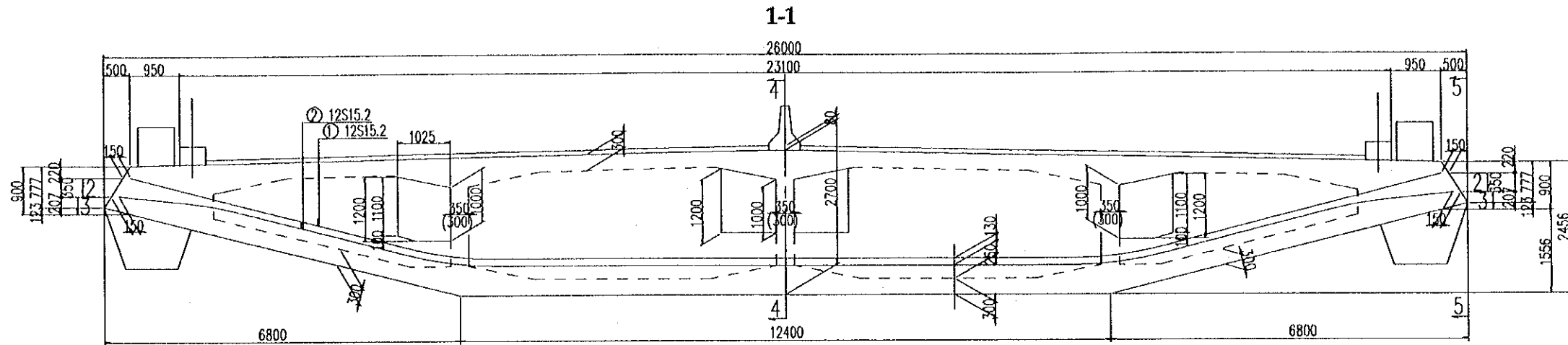
PROJECT NAME	IMPLEMENTATION AGENCY	EXECUTING AGENCY	JICA STUDY TEAM	PREPARED BY	CHECKED BY	APPROVED BY	DRAWING TITLE	DWG NO.
DETAILED DESIGN OF THE CAN THO BRIDGE CONSTRUCTION PROJECT	JICA JAPAN INTERNATIONAL COOPERATION AGENCY (JICA)	SOCIALIST REPUBLIC OF VIET NAM MINISTRY OF TRANSPORT (MOT) MY THUAN PROJECT MANAGEMENT UNIT	NIPPON KOEI CO.,LTD.	NAME: S. Kiguchi SIGNATURE: <i>S. Kiguchi</i> DATE: 20/9/2000	NAME: K. Matsumoto SIGNATURE: <i>K. Matsumoto</i> DATE: 29/9/2000	NAME: K. Enomoto SIGNATURE: <i>K. Enomoto</i> DATE: 5/10/2000	CABLE STAYED BRIDGE SUPER STRUCTURE TRANSVERSE PRESTRESSING (2)	P2/CS/0240

TRANSVERSE PRESTRESSING (3) SCALE 1:100

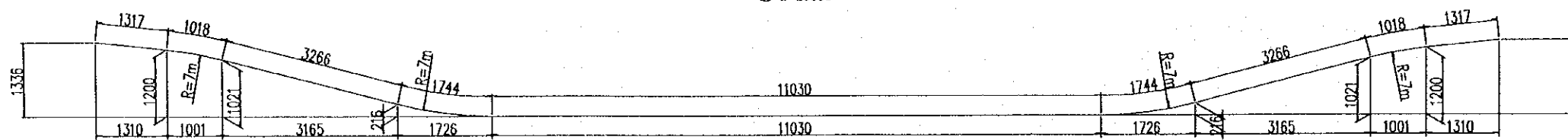


PROJECT NAME	IMPLEMENTATION AGENCY	EXECUTING AGENCY	JICA STUDY TEAM	PREPARED BY	CHECKED BY	APPROVED BY	DRAWING TITLE	DWG NO.
DETAILED DESIGN OF THE CAN THO BRIDGE CONSTRUCTION PROJECT	JAPAN INTERNATIONAL COOPERATION AGENCY (JICA)	SOCIALET REPUBLIC OF VIET NAM MINISTRY OF TRANSPORT (MOT) MY THUAN PROJECT MANAGEMENT UNIT	NIPPON KOHI CO.,LTD.	NAME: S. Kiguchi SIGNATURE: <i>S. Kiguchi</i> DATE: 20/9/2000	NAME: K. Matsumoto SIGNATURE: <i>K. Matsumoto</i> DATE: 29/9/2000	NAME: K. Enomoto SIGNATURE: <i>K. Enomoto</i> DATE: 5/10/2000	CABLE STAYED BRIDGE SUPER STRUCTURE TRANSVERSE PRESTRESSING (3)	P2/CS/0250

TRANSVERSE PRESTRESSING (4) SCALE 1:100



① L=25355

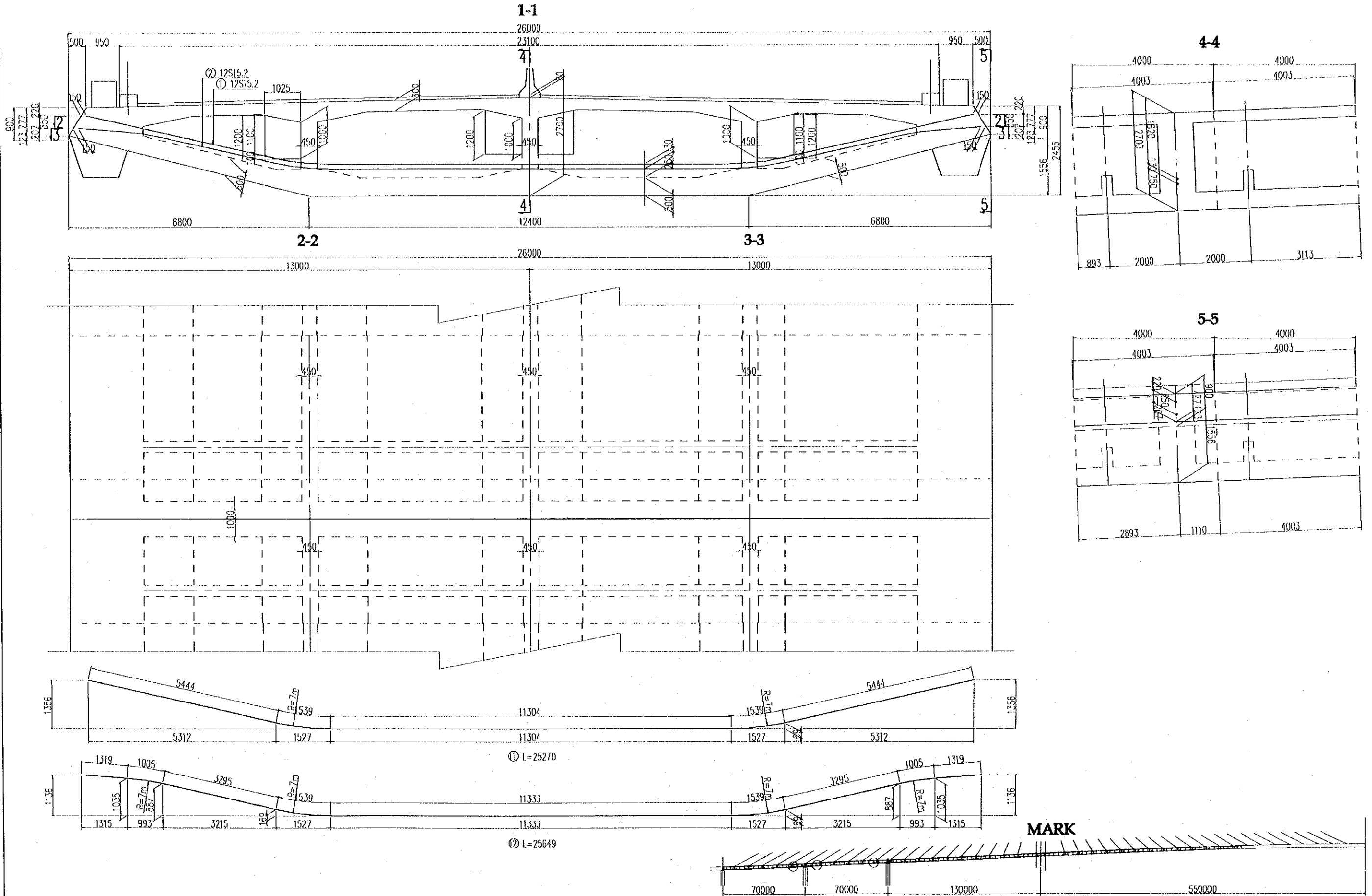


② L=25719



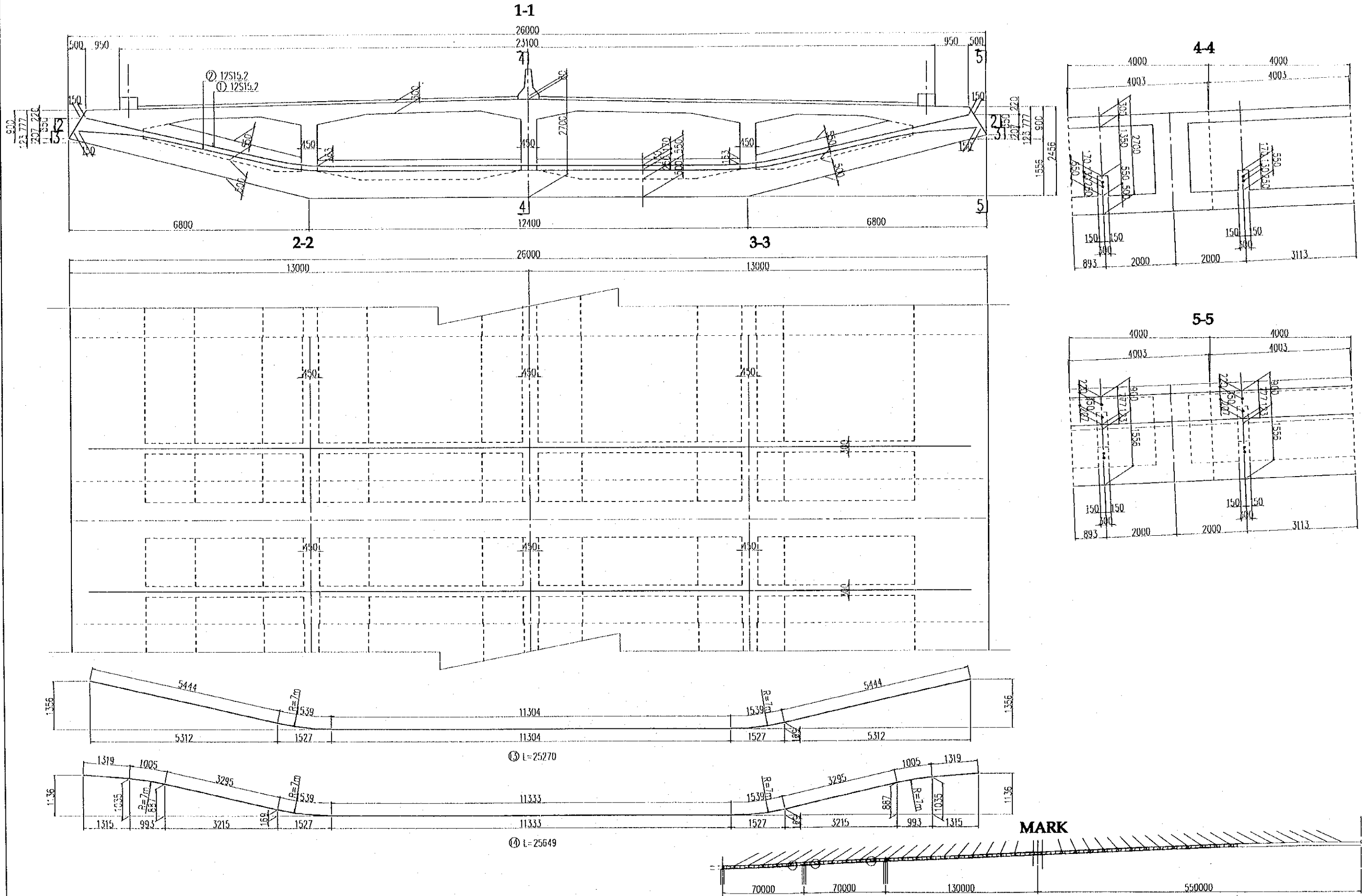
PROJECT NAME	IMPLEMENTATION AGENCY	EXECUTING AGENCY	JICA STUDY TEAM	PREPARED BY	CHECKED BY	APPROVED BY	DRAWING TITLE	DWG NO.	
				NAME	S. Kiguchi	K. Matsumoto			K. Enomoto
				SIGNATURE	<i>S. Kiguchi</i>	<i>K. Matsumoto</i>			<i>K. Enomoto</i>
DETAILED DESIGN OF THE CAN THO BRIDGE CONSTRUCTION PROJECT	JICA JAPAN INTERNATIONAL COOPERATION AGENCY (JICA)	SOCIALIST REPUBLIC OF VIET NAM MINISTRY OF TRANSPORT (MOT) MY THUAN PROJECT MANAGEMENT UNIT	INIK NIPPON KOEI CO., LTD.	DATE	20/9/2000	29/9/2000	5/10/2000	CABLE STAYED BRIDGE SUPER STRUCTURE TRANSVERSE PRESTRESSING (4)	P2/CS/0260

TRANSVERSE PRESTRESSING (6) SCALE 1:100



PROJECT NAME	IMPLEMENTATION AGENCY	EXECUTING AGENCY	JICA STUDY TEAM	PREPARED BY	CHECKED BY	APPROVED BY	DRAWING TITLE	DWG NO.
DETAILED DESIGN OF THE CAN THO BRIDGE CONSTRUCTION PROJECT	JAPAN INTERNATIONAL COOPERATION AGENCY (JICA)	SOCIALIST REPUBLIC OF VIET NAM MINISTRY OF TRANSPORT (MOT) MY THUAN PROJECT MANAGEMENT UNIT	NIPPON KOEI CO.,LTD.	NAME	S. Kiguchi	K. Matsumoto	CABLE STAYED BRIDGE SUPER STRUCTURE TRANSVERSE PRESTRESSING (6)	P2/CS/0280
				SIGNATURE	<i>S. Kiguchi</i>	<i>K. Matsumoto</i>		
				DATE	20/9/2000	29/9/2000		
							APPROVED BY 5/10/2000	

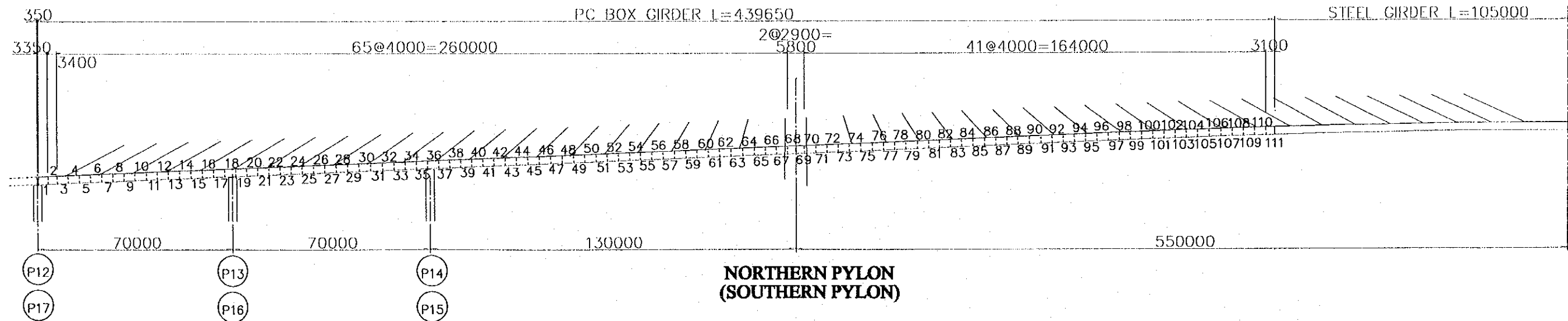
TRANSVERSE PRESTRESSING (7) SCALE 1:100



PROJECT NAME	IMPLEMENTATION AGENCY	EXECUTING AGENCY	JICA STUDY TEAM	PREPARED BY	CHECKED BY	APPROVED BY	DRAWING TITLE	DWG NO.
DETAILED DESIGN OF THE CAN THO BRIDGE CONSTRUCTION PROJECT	JICA JAPAN INTERNATIONAL COOPERATION AGENCY (JICA)	SOCIALIST REPUBLIC OF VIET NAM MINISTRY OF TRANSPORT (MOT) MY THUAN PROJECT MANAGEMENT UNIT	NIPPON KOEI CO., LTD.	NAME: S. Kiguchi SIGNATURE: <i>S. Kiguchi</i> DATE: 20/9/2000	NAME: K. Matsumoto SIGNATURE: <i>K. Matsumoto</i> DATE: 29/9/2000	NAME: K. Enomoto SIGNATURE: <i>K. Enomoto</i> DATE: 5/10/2000	CABLE STAYED BRIDGE SUPER STRUCTURE TRANSVERSE PRESTRESSING (7)	P2/CS/0290

BAR ARRANGEMENT SCHEDULE OF SEGMENT

TYPE	SEGMENT NUMBER	REMARKS
1	1	
2	2	
3	3	
4	4 to 15, 22 to 32, 39 to 65, 72 to 111	
5	16, 21, 33, 38	
6	17, 20, 34, 37	
7	18, 19, 35, 36	
8	66, 71	
9	66, 71	
10	67, 70	
11	67, 70	
12	68, 69	
13	68, 69	

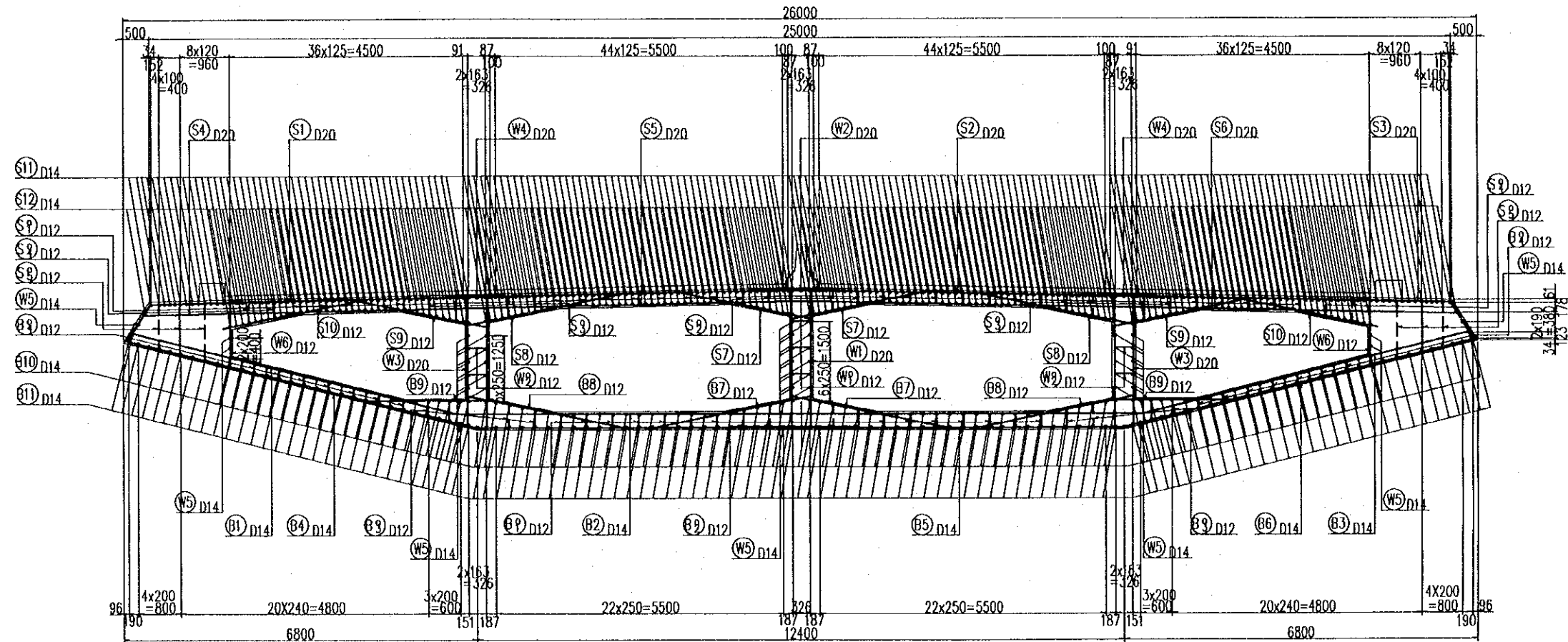


PROJECT NAME	IMPLEMENTATION AGENCY	EXECUTING AGENCY	JICA STUDY TEAM	PREPARED BY	CHECKED BY	APPROVED BY	DRAWING TITLE	DWG NO.																
DETAILED DESIGN OF THE CAN THO BRIDGE CONSTRUCTION PROJECT	JAPAN INTERNATIONAL COOPERATION AGENCY (JICA)	SOCIALIST REPUBLIC OF VIET NAM MINISTRY OF TRANSPORT (MOT) MY THUAN PROJECT MANAGEMENT UNIT	NIPPON KOEI CO.,LTD.	<table border="1" style="width: 100%; border-collapse: collapse;"> <tr> <td style="font-size: small;">NAME</td> <td style="text-align: center;">S. Kiguchi</td> <td style="font-size: small;">CHECKED BY</td> <td style="text-align: center;">K. Matsumoto</td> <td style="font-size: small;">APPROVED BY</td> <td style="text-align: center;">K. Enomoto</td> </tr> <tr> <td style="font-size: small;">SIGNATURE</td> <td style="text-align: center;"><i>S. Kiguchi</i></td> <td style="font-size: small;">SIGNATURE</td> <td style="text-align: center;"><i>K. Matsumoto</i></td> <td style="font-size: small;">SIGNATURE</td> <td style="text-align: center;"><i>K. Enomoto</i></td> </tr> <tr> <td style="font-size: small;">DATE</td> <td style="text-align: center;">20/9/2000</td> <td style="font-size: small;">DATE</td> <td style="text-align: center;">29/9/2000</td> <td style="font-size: small;">DATE</td> <td style="text-align: center;">5/10/2000</td> </tr> </table>	NAME	S. Kiguchi	CHECKED BY	K. Matsumoto	APPROVED BY	K. Enomoto	SIGNATURE	<i>S. Kiguchi</i>	SIGNATURE	<i>K. Matsumoto</i>	SIGNATURE	<i>K. Enomoto</i>	DATE	20/9/2000	DATE	29/9/2000	DATE	5/10/2000	CABLE STAYED BRIDGE SUPER STRUCTURE BAR ARRANGEMENT SCHEDULE OF SEGMENT	P2/CS/0300
NAME	S. Kiguchi	CHECKED BY	K. Matsumoto	APPROVED BY	K. Enomoto																			
SIGNATURE	<i>S. Kiguchi</i>	SIGNATURE	<i>K. Matsumoto</i>	SIGNATURE	<i>K. Enomoto</i>																			
DATE	20/9/2000	DATE	29/9/2000	DATE	5/10/2000																			

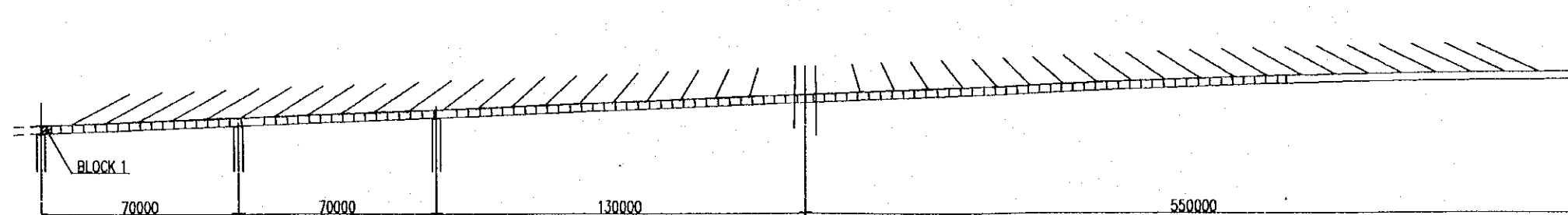
BAR ARRANGEMENT OF SEGMENT

SCALE 1:100

TYPE-1 (1)



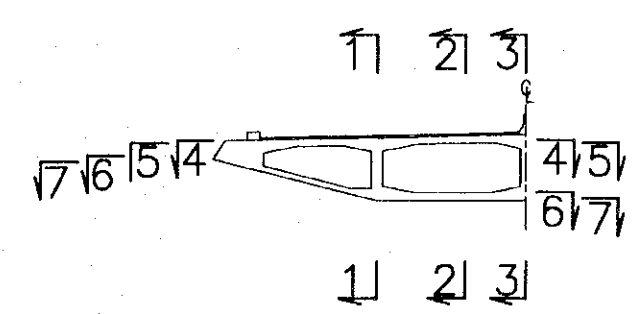
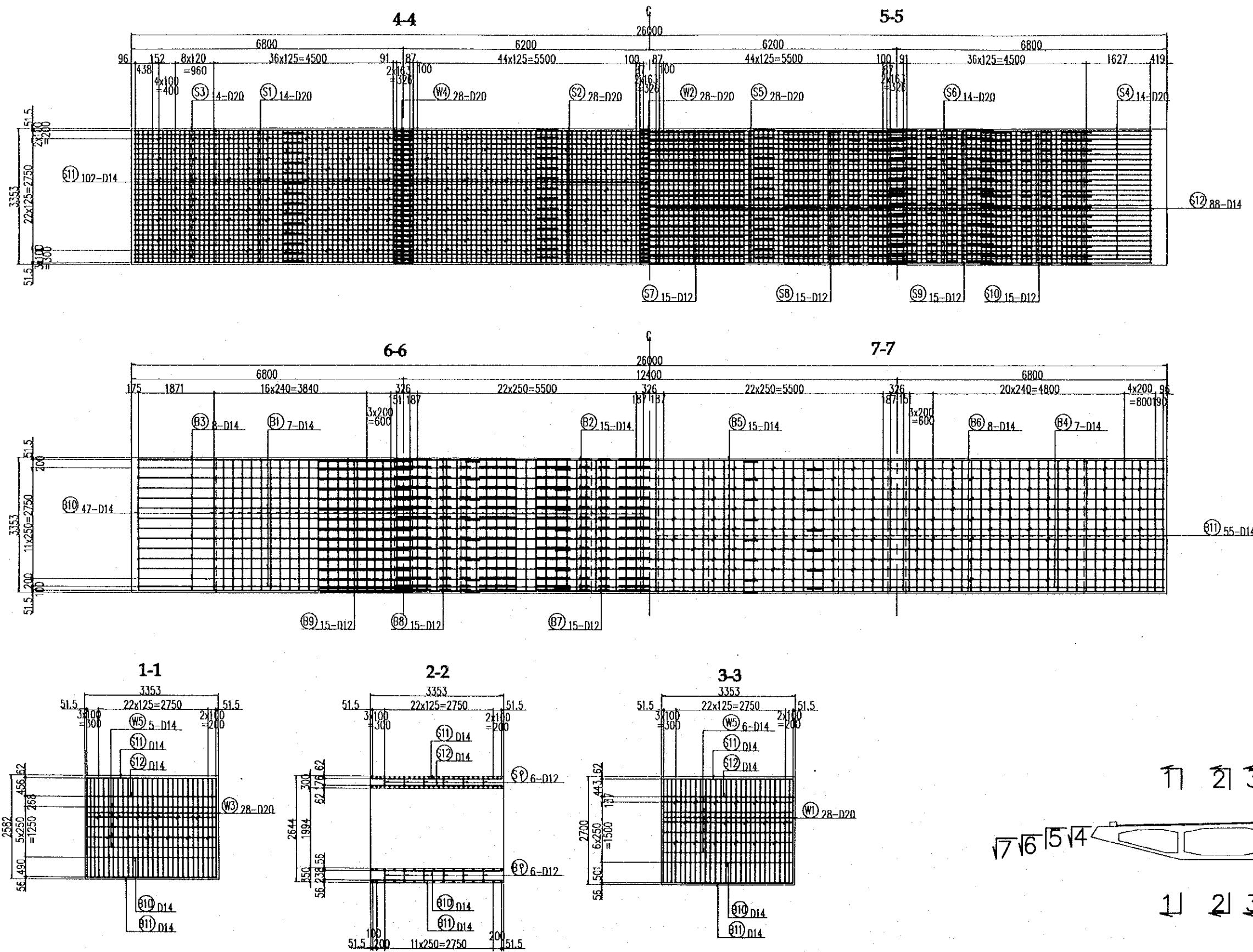
MARK



PROJECT NAME	IMPLEMENTATION AGENCY	EXECUTING AGENCY	JICA STUDY TEAM	PREPARED BY	CHECKED BY	APPROVED BY	DRAWING TITLE	DWG NO.
DETAILED DESIGN OF THE CAN THO BRIDGE CONSTRUCTION PROJECT	JAPAN INTERNATIONAL COOPERATION AGENCY (JICA)	SOCIALIST REPUBLIC OF VIET NAM MINISTRY OF TRANSPORT (MOT) MY THUAN PROJECT MANAGEMENT UNIT	NIPPON KOEI CO.,LTD.	NAME	S. Kiguchi	K. Matsumoto	CABLE STAYED BRIDGE SUPER STRUCTURE BAR ARRANGEMENT OF SEGMENT TYPE-1 (1)	P2/CS/0310
				SIGNATURE	<i>S. Kiguchi</i>	<i>K. Matsumoto</i>		
				DATE	20/9/2000	29/9/2000		
				APPROVED BY				
				DATE	5/10/2000			

BAR ARRANGEMENT OF SEGMENT TYPE-1 (2)

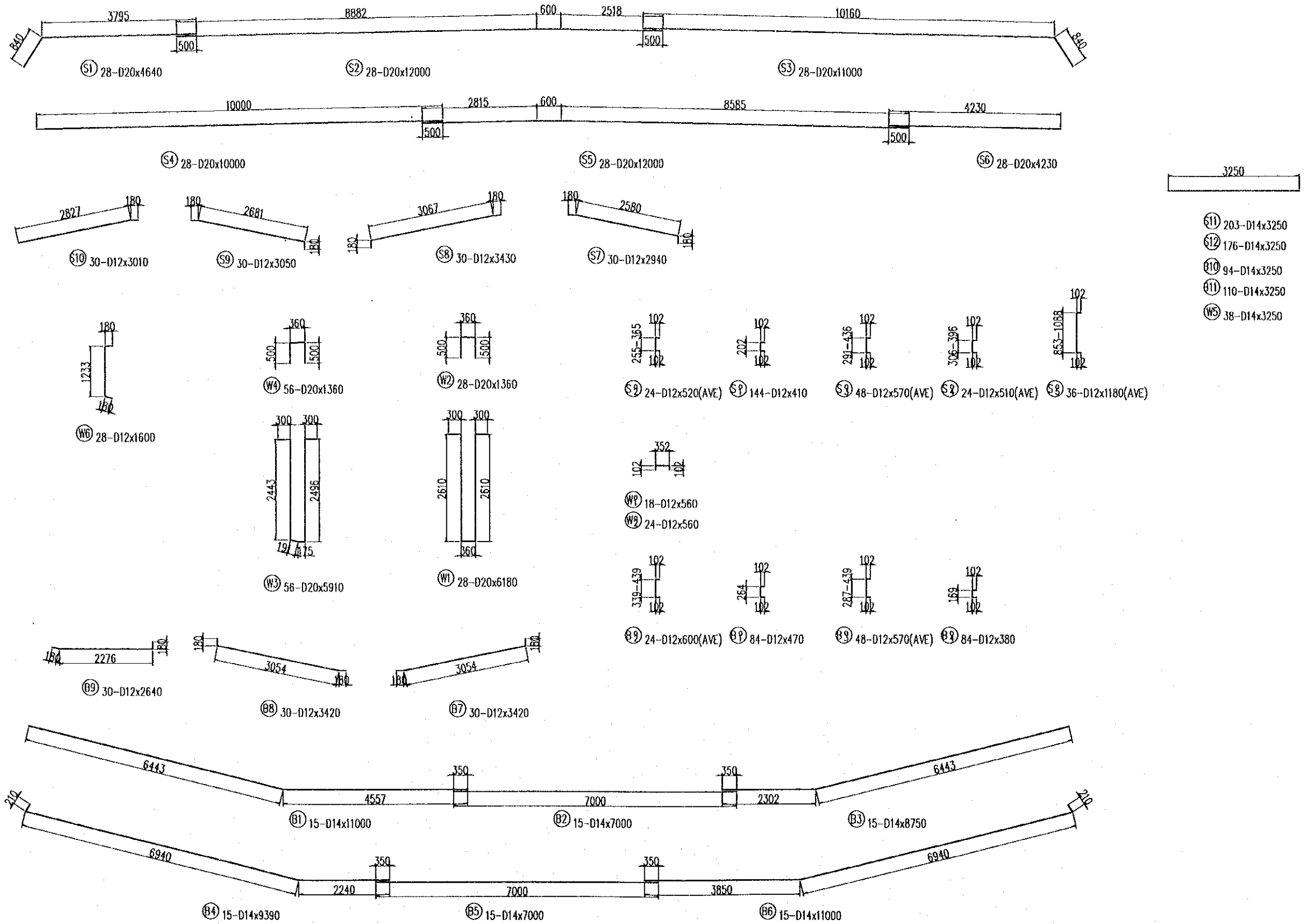
SCALE 1:100



PROJECT NAME	IMPLEMENTATION AGENCY	EXECUTING AGENCY	JICA STUDY TEAM	PREPARED BY	CHECKED BY	APPROVED BY	DRAWING TITLE	DWG NO.
DETAILED DESIGN OF THE CAN THO BRIDGE CONSTRUCTION PROJECT	JICA JAPAN INTERNATIONAL COOPERATION AGENCY (JICA)	SOCIALIST REPUBLIC OF VIET NAM MINISTRY OF TRANSPORT (MOT) MY THUAN PROJECT MANAGEMENT UNIT	NIPPON KOEI CO., LTD.	S. Kiguchi	K. Matsumoto	K. Enomoto	CABLE STAYED BRIDGE SUPER STRUCTURE BAR ARRANGEMENT OF SEGMENT TYPE-1 (2)	P2/CS/0320
				NAME: S. Kiguchi	NAME: K. Matsumoto	NAME: K. Enomoto		
				SIGNATURE: S. Kiguchi	SIGNATURE: K. Matsumoto	SIGNATURE: K. Enomoto		
				DATE: 20/9/2000	DATE: 29/9/2000	DATE: 3/10/2000		

BAR ARRANGEMENT OF SEGMENT SCALE 1:100

TYPE-1 (3)



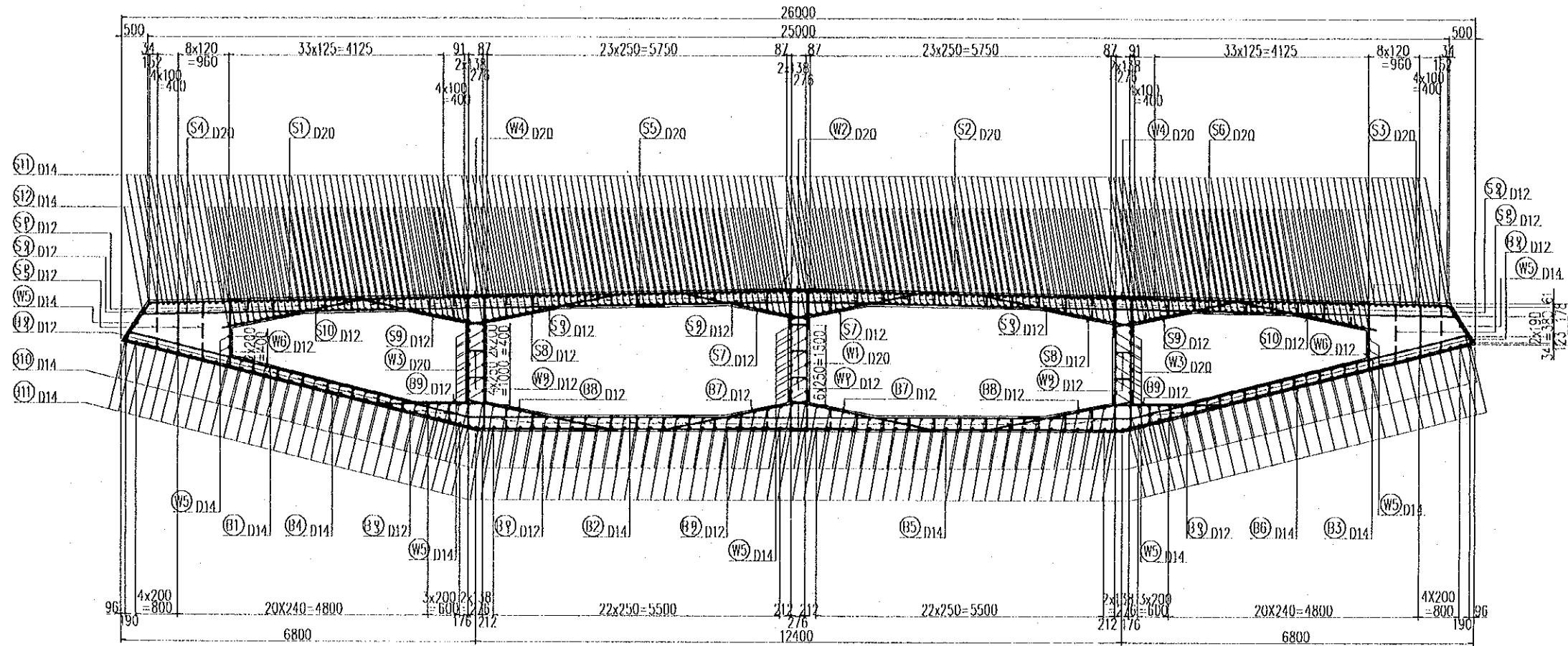
- ⓪11 203-D14x3250
- ⓪12 176-D14x3250
- ⓪10 94-D14x3250
- ⓪11 110-D14x3250
- ⓪5 38-D14x3250

PROJECT NAME	IMPLEMENTATION AGENCY	EXECUTING AGENCY	JICA STUDY TEAM	PREPARED BY	CHECKED BY	APPROVED BY	DRAWING TITLE	DWG NO.
DETAILED DESIGN OF THE CAN THO BRIDGE CONSTRUCTION PROJECT	JICA JAPAN INTERNATIONAL COOPERATION AGENCY (JICA)	SOCIALIST REPUBLIC OF VIET NAM MINISTRY OF TRANSPORT (MOT) MY THUAN PROJECT MANAGEMENT UNIT	NIPPON KOEI CO., LTD.	S. Kiguchi	K. Matsumoto	K. Enomoto	CABLE STAYED BRIDGE SUPER STRUCTURE BAR ARRANGEMENT OF SEGMENT TYPE-1 (3)	P2/CS/0330
				NAME: S. Kiguchi	NAME: K. Matsumoto	NAME: K. Enomoto		
				SIGNATURE: <i>S. Kiguchi</i>	SIGNATURE: <i>K. Matsumoto</i>	SIGNATURE: <i>K. Enomoto</i>		
				DATE: 20/9/2000	DATE: 29/9/2000	DATE: 5/10/2000		

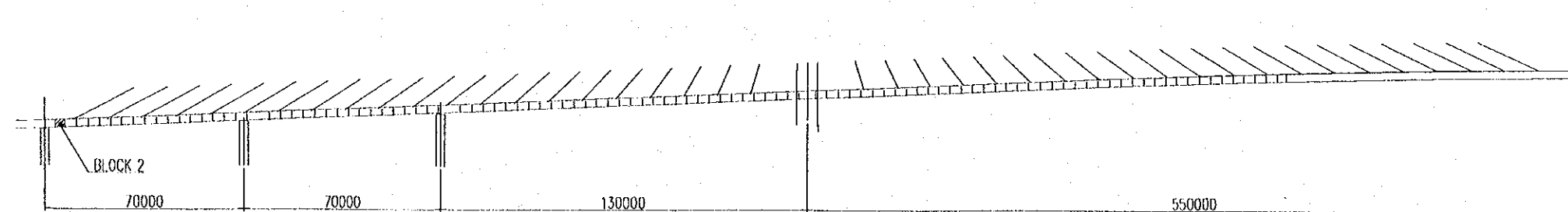
BAR ARRANGEMENT OF SEGMENT SCALE 1:100

TYPE -2 (1)

SCALE 1:100



MARK

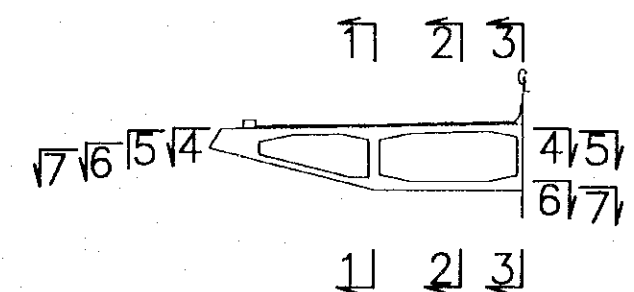
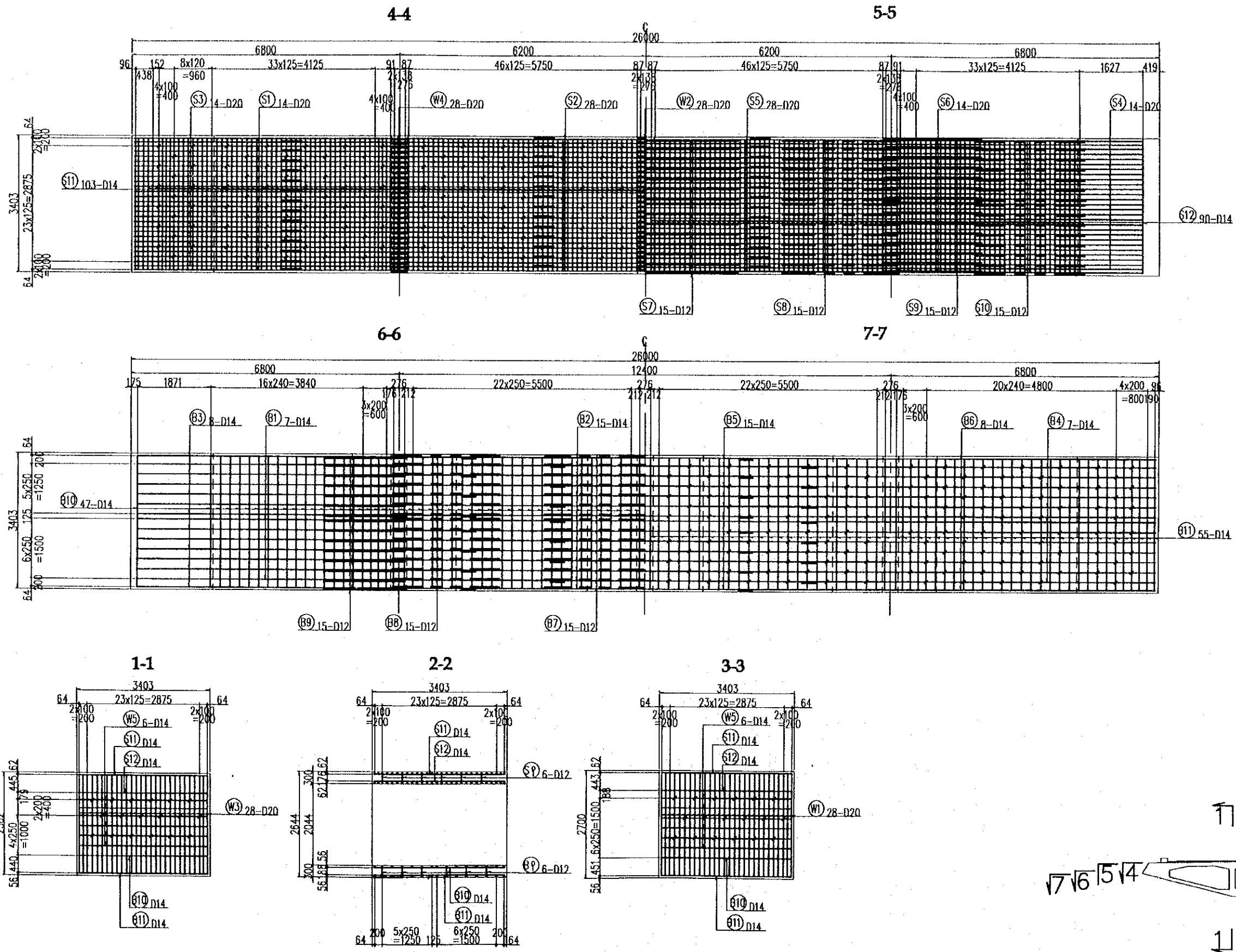


PROJECT NAME	IMPLEMENTATION AGENCY	EXECUTING AGENCY	JICA STUDY TEAM	PREPARED BY	CHECKED BY	APPROVED BY	DRAWING TITLE	DWG NO.
DETAILED DESIGN OF THE CAN THO BRIDGE CONSTRUCTION PROJECT	JICA JAPAN INTERNATIONAL COOPERATION AGENCY (JICA)	SOCIALIST REPUBLIC OF VIET NAM MINISTRY OF TRANSPORT (MOT) MY THUAN PROJECT MANAGEMENT UNIT	NIPPON KOEI CO.,LTD.	NAME: S. Kiguchi SIGNATURE: <i>S. Kiguchi</i> DATE: 20/9/2000	NAME: K. Matsumoto SIGNATURE: <i>K. Matsumoto</i> DATE: 29/9/2000	NAME: K. Enomoto SIGNATURE: <i>K. Enomoto</i> DATE: 5/10/2000	CABLE STAYED BRIDGE SUPER STRUCTURE BAR ARRANGEMENT OF SEGMENT TYPE-2 (1)	P2/CS/0340

BAR ARRANGEMENT OF SEGMENT

SCALE 1:100

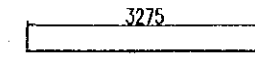
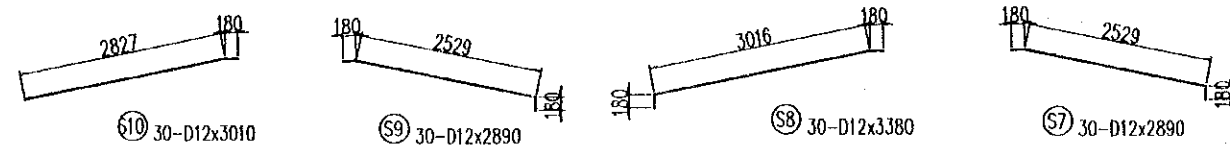
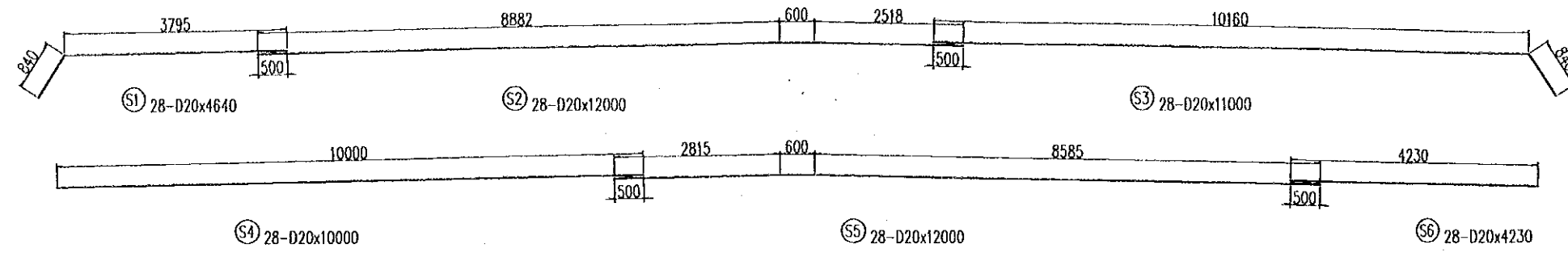
TYPE-2 (2)



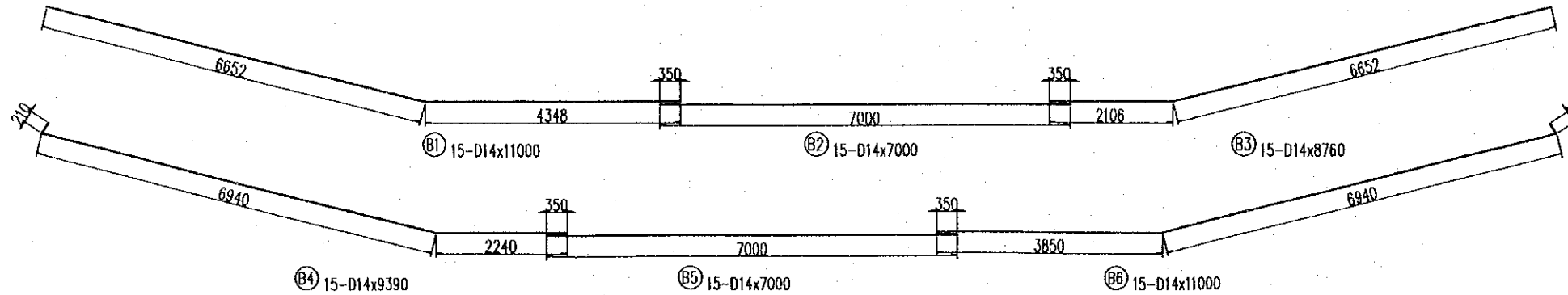
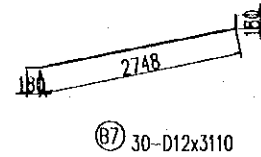
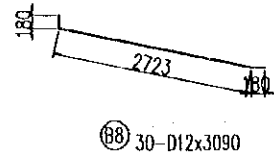
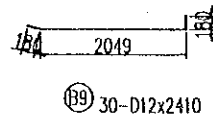
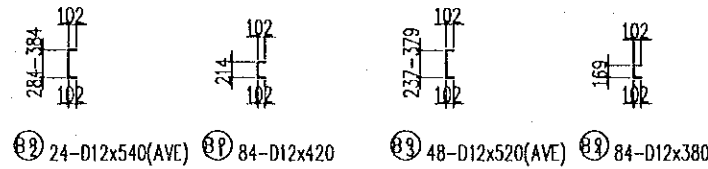
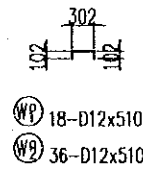
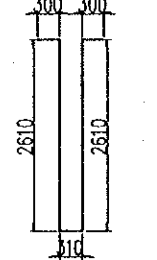
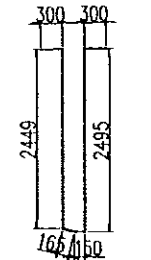
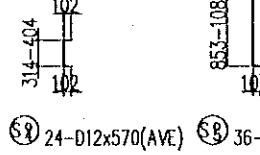
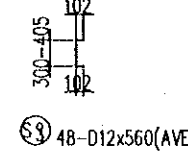
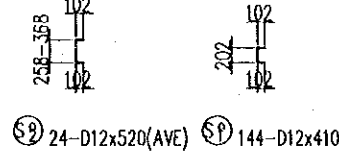
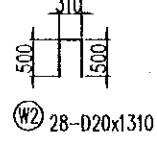
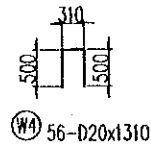
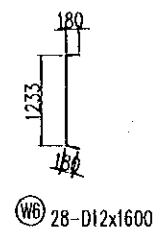
PROJECT NAME	IMPLEMENTATION AGENCY	EXECUTING AGENCY	JICA STUDY TEAM	PREPARED BY	CHECKED BY	APPROVED BY	DRAWING TITLE	DWG NO.
DETAILED DESIGN OF THE CAN THO BRIDGE CONSTRUCTION PROJECT	JAPAN INTERNATIONAL COOPERATION AGENCY (JICA)	SOCIALIST REPUBLIC OF VIET NAM MINISTRY OF TRANSPORT (MOT) MY THUAN PROJECT MANAGEMENT UNIT	NIPPON KOEI CO.,LTD.	NAME: S. Kiguchi SIGNATURE: <i>S. Kiguchi</i> DATE: 20/9/2000	NAME: K. Matsumoto SIGNATURE: <i>K. Matsumoto</i> DATE: 29/9/2000	NAME: K. Enomoto SIGNATURE: <i>K. Enomoto</i> DATE: 5/10/2000	CABLE STAYED BRIDGE SUPER STRUCTURE BAR ARRANGEMENT OF SEGMENT TYPE-2 (2)	P2/CS/0350

BAR ARRANGEMENT OF SEGMENT SCALE 1:100

TYPE-2 (3)

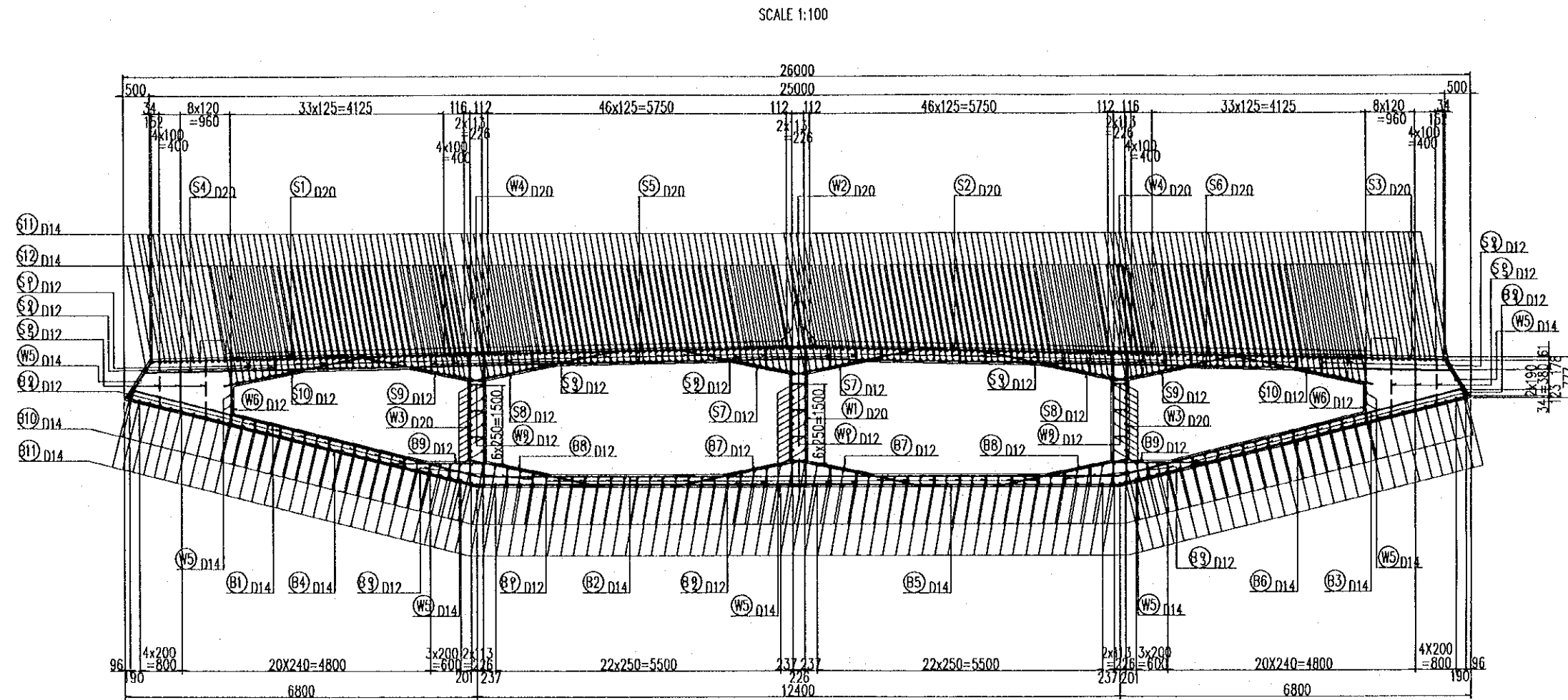


- Ⓜ11 205-D14x3275
- Ⓜ12 180-D14x3275
- Ⓜ10 94-D14x3275
- Ⓜ11 110-D14x3275
- Ⓜ5 42-D14x3275

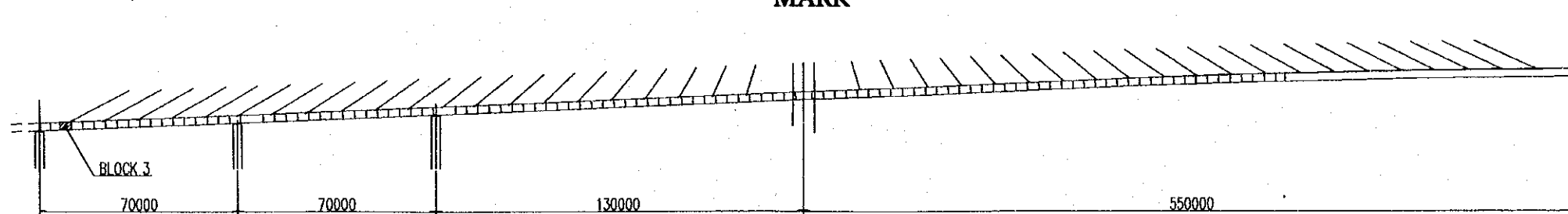


PROJECT NAME	IMPLEMENTATION AGENCY	EXECUTING AGENCY	JICA STUDY TEAM	PREPARED BY	CHECKED BY	APPROVED BY	DRAWING TITLE	DWG NO.
DETAILED DESIGN OF THE CAN THO BRIDGE CONSTRUCTION PROJECT	JICA JAPAN INTERNATIONAL COOPERATION AGENCY (JICA)	SOCIALIST REPUBLIC OF VIET NAM MINISTRY OF TRANSPORT (MOT) MY THUAN PROJECT MANAGEMENT UNIT	NIPPON KOEI CO., LTD.	S. Kiguchi	K. Matsumoto	K. Enomoto	CABLE STAYED BRIDGE SUPER STRUCTURE BAR ARRANGEMENT OF SEGMENT TYPE-2 (3)	P2/CS/0360
				NAME				
				SIGNATURE				
				DATE	20/9/2000	29/9/2000	5/10/2000	

BAR ARRANGEMENT OF SEGMENT SCALE 1:100
TYPE-3 (1)



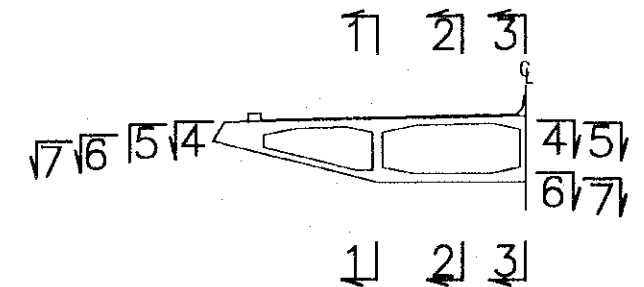
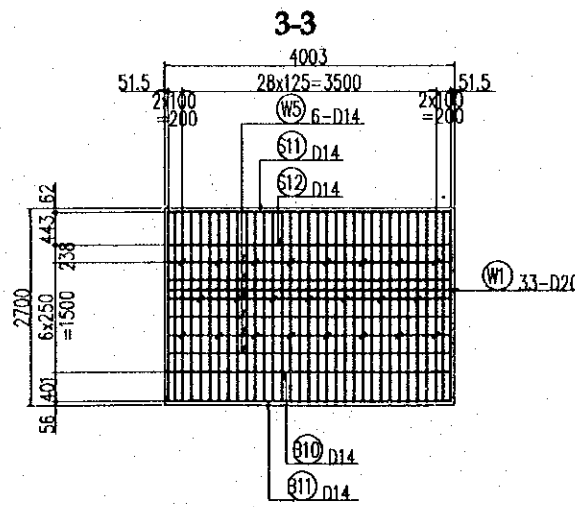
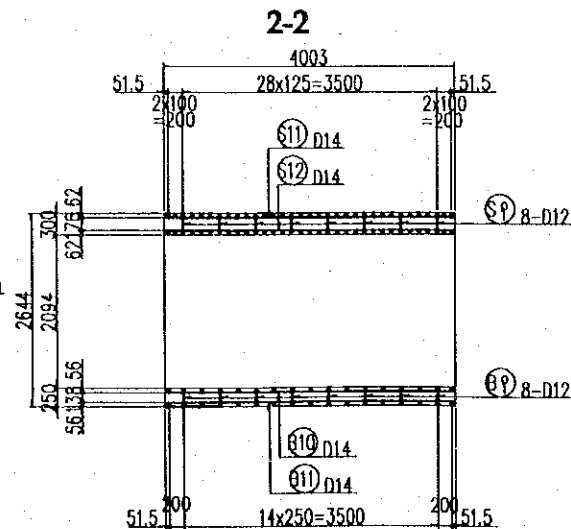
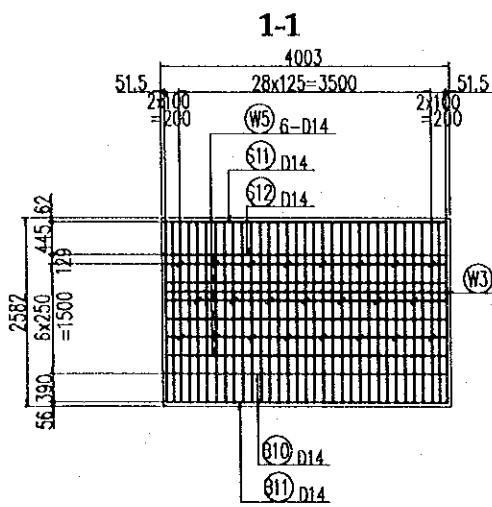
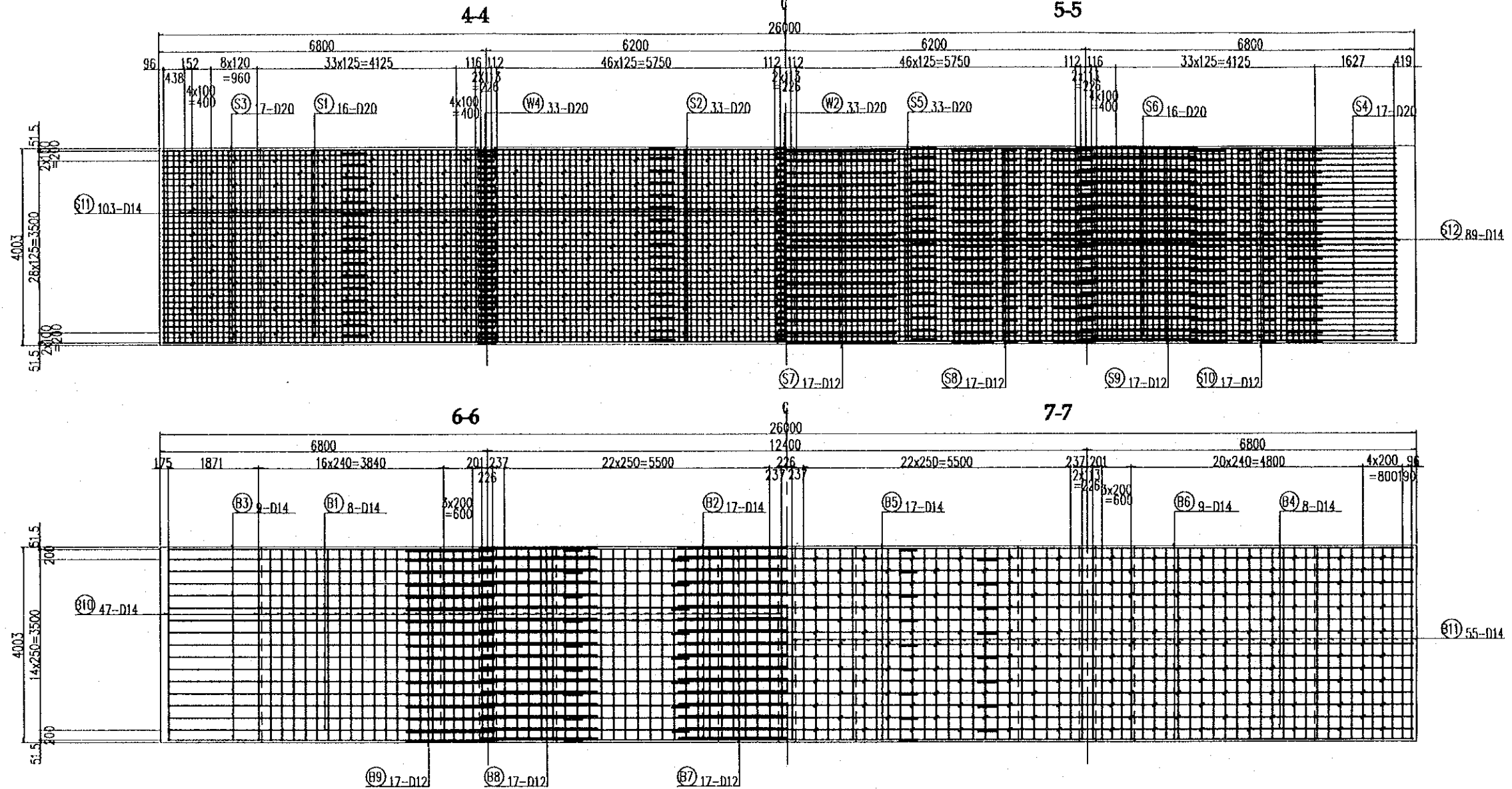
MARK



PROJECT NAME	IMPLEMENTATION AGENCY	EXECUTING AGENCY	JICA STUDY TEAM	PREPARED BY	CHECKED BY	APPROVED BY	DRAWING TITLE	DWG NO.
DETAILED DESIGN OF THE CAN THO BRIDGE CONSTRUCTION PROJECT	JICA JAPAN INTERNATIONAL COOPERATION AGENCY (JICA)	SOCIALIST REPUBLIC OF VIET NAM MINISTRY OF TRANSPORT (MOT) MY THUAN PROJECT MANAGEMENT UNIT	NIPPON KOEI CO.,LTD.	NAME: S. Kiguchi SIGNATURE: <i>S. Kiguchi</i> DATE: 20/9/2000	NAME: K. Matsumoto SIGNATURE: <i>K. Matsumoto</i> DATE: 29/9/2000	NAME: K. Enomoto SIGNATURE: <i>K. Enomoto</i> DATE: 5/10/2000	CABLE STAYED BRIDGE SUPER STRUCTURE BAR ARRANGEMENT OF SEGMENT TYPE-3 (1)	P2/CS/0370

BAR ARRANGEMENT OF SEGMENT SCALE 1:100

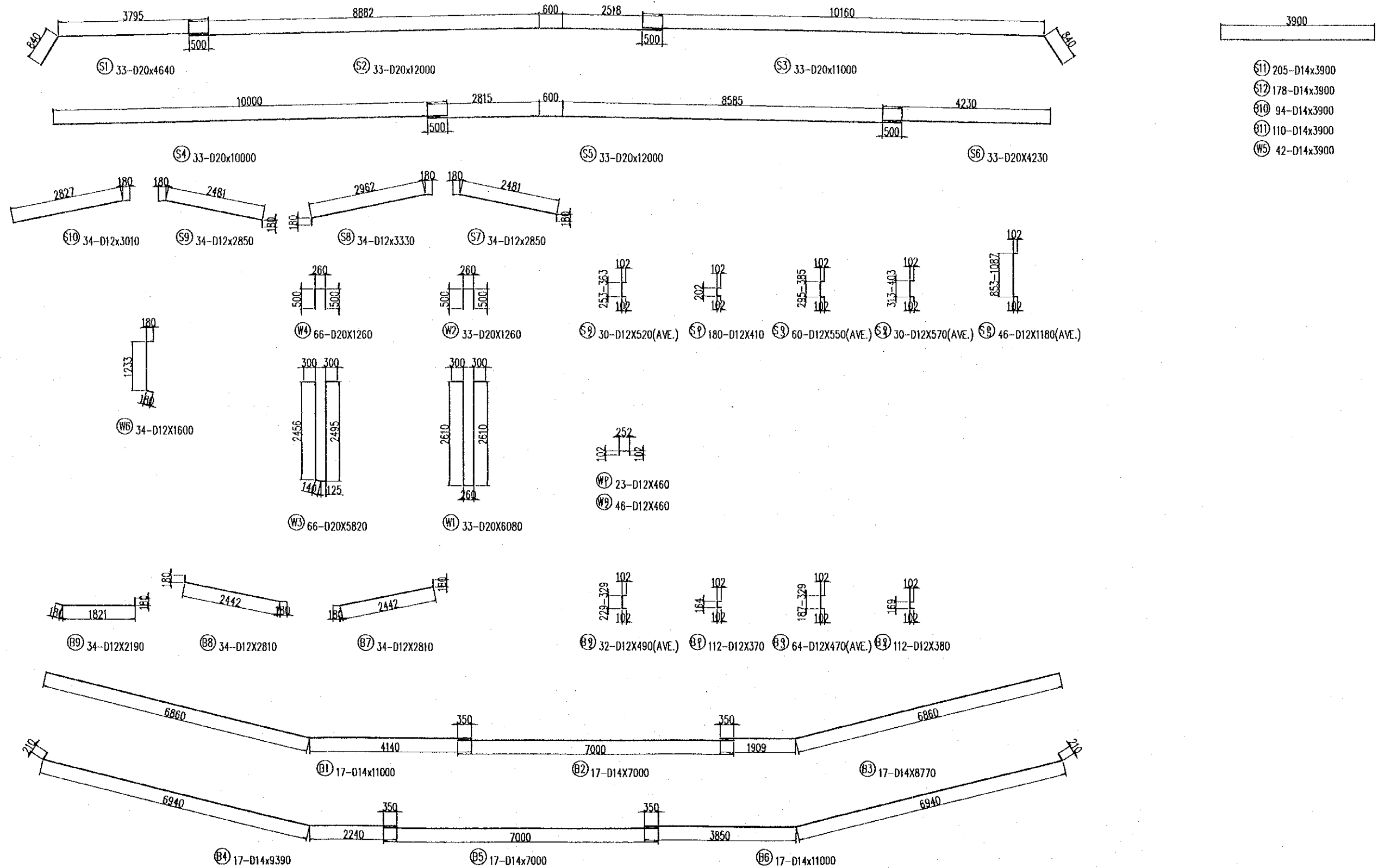
TYPE-3 (2)



PROJECT NAME	IMPLEMENTATION AGENCY	EXECUTING AGENCY	JICA STUDY TEAM	PREPARED BY	CHECKED BY	APPROVED BY	DRAWING TITLE	DWG NO.
DETAILED DESIGN OF THE CAN THO BRIDGE CONSTRUCTION PROJECT	JICA JAPAN INTERNATIONAL COOPERATION AGENCY (JICA)	SOCIALIST REPUBLIC OF VIET NAM MINISTRY OF TRANSPORT (MOT) MY THUAN PROJECT MANAGEMENT UNIT	NIPON KOEI CO.,LTD.	S. Kiguchi	K. Matsumoto	K. Enomoto	CABLE STAYED BRIDGE SUPER STRUCTURE BAR ARRANGEMENT OF SEGMENT TYPE-3 (2)	P2/CS/0380
				NAME				
				SIGNATURE				
				DATE	20/9/2000	29/9/2000	5/10/2000	

BAR ARRANGEMENT OF SEGMENT SCALE 1:100

TYPE-3 (3)



PROJECT NAME	IMPLEMENTATION AGENCY	EXECUTING AGENCY	JICA STUDY TEAM	PREPARED BY	CHECKED BY	APPROVED BY	DRAWING TITLE	DWG NO.
DETAILED DESIGN OF THE CAN THO BRIDGE CONSTRUCTION PROJECT	JICA JAPAN INTERNATIONAL COOPERATION AGENCY (JICA)	SOCIALIST REPUBLIC OF VIET NAM MINISTRY OF TRANSPORT (MOT) MY THUAN PROJECT MANAGEMENT UNIT	NIPPON KOEI CO.,LTD.	NAME: S. Kiguchi SIGNATURE: <i>S. Kiguchi</i> DATE: 20/9/2000	NAME: K. Matsumoto SIGNATURE: <i>K. Matsumoto</i> DATE: 29/9/2000	NAME: K. Enomoto SIGNATURE: <i>K. Enomoto</i> DATE: 5/10/2000	CABLE STAYED BRIDGE SUPER STRUCTURE BAR ARRANGEMENT OF SEGMENT TYPE-3 (3)	P2/CS/0390