

P1/LS LIGHTING SYSTEM

22KV XLPE/SWA/PVC 185sq-3C	GIP(6")
SPARE	GIP(6")

⑤A ⑥A	FOR FUTRE	GIP(3")x2
	SPARE	GIP(3")x3

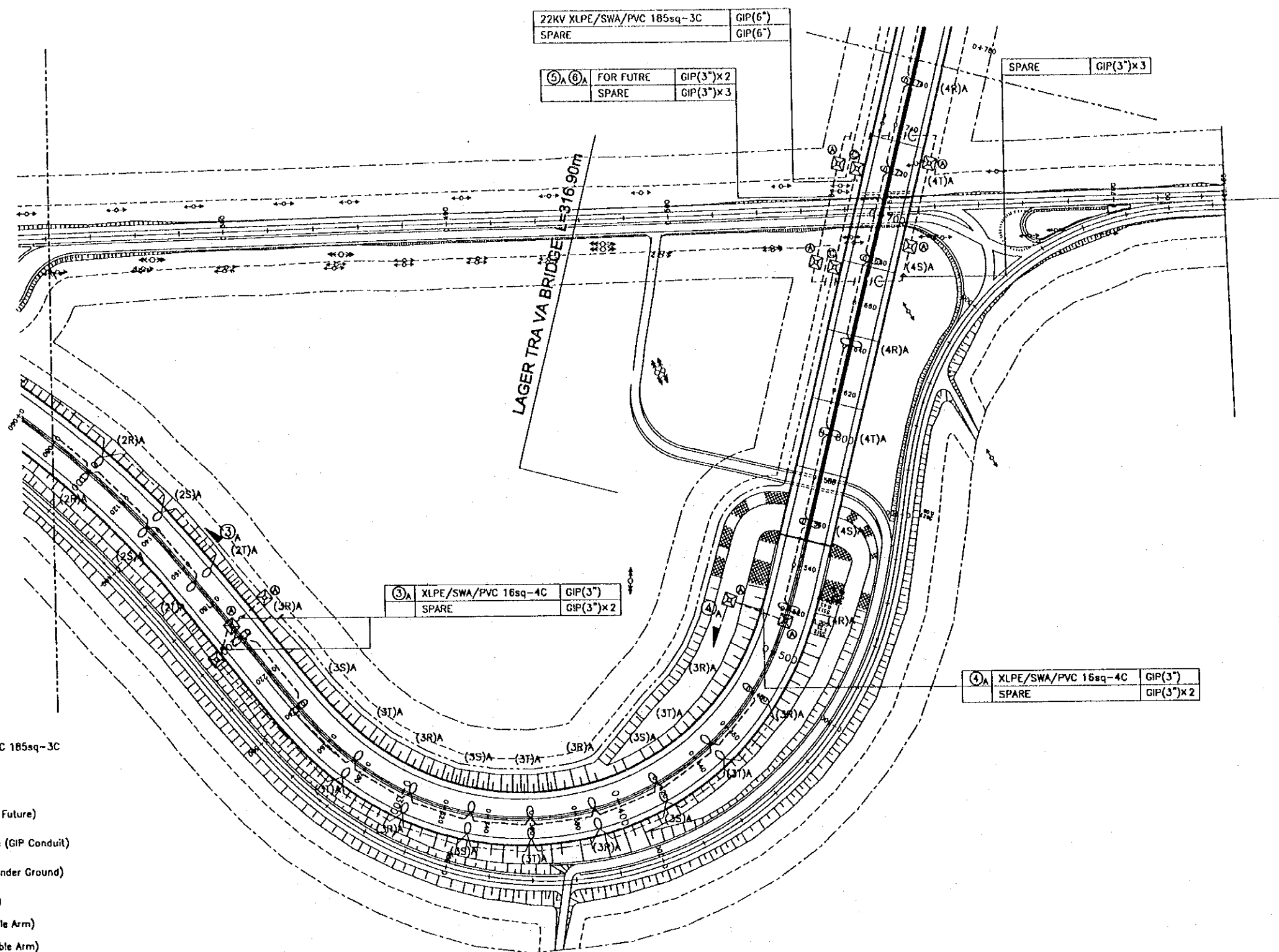
SPARE	GIP(3")x3
-------	-----------

③A	XLPE/SWA/PVC 16sq-4C	GIP(3")
	SPARE	GIP(3")x2

④A	XLPE/SWA/PVC 16sq-4C	GIP(3")
	SPARE	GIP(3")x2

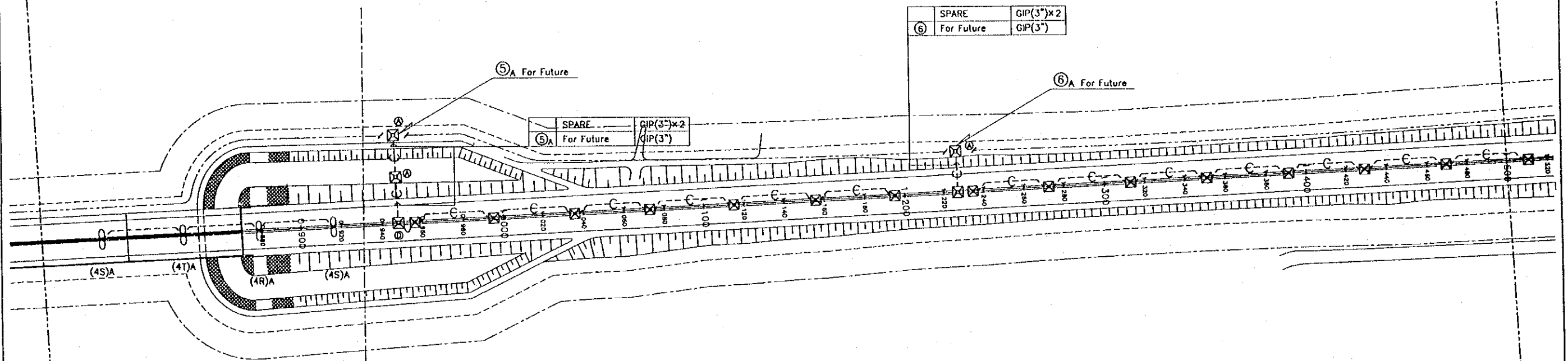
Note:

- 22KV XLPE/SWA/PVC 185sq-3C
- Under Ground Cable
- GIP Conduit Pipe
- SPARE Conduit (For Future)
- ○ ○ Un Armoured Cable (GIP Conduit)
- ○ ○ Armoured Cable (Under Ground)
- Cable Rack (w/sep)
- Road Lighting (Single Arm)
- ○ Road Lighting (Double Arm)
- △ Flood Lighting
- Ceiling Lighting
- ⊗ Foundation (For Future)
- ⊗ MAN HOLE 1500x1500x1500^D
- ⊗ MAN HOLE 2500x1500x1500^D
- ⊗ MAN HOLE 2500x2500x1500^D
- ⊗ MAN HOLE 1000x1000x1000^D



S=1:2000

PROJECT NAME	IMPLEMENTATION AGENCY	EXECUTING AGENCY	JICA STUDY TEAM	PREPARED BY	CHECKED BY	APPROVED BY	DRAWING TITLE	DWG NO.
DETAILED DESIGN OF THE CAN THO BRIDGE CONSTRUCTION PROJECT	JICA JAPAN INTERNATIONAL COOPERATION AGENCY (JICA)	SOCIALIST REPUBLIC OF VIET NAM MINISTRY OF TRANSPORT (MOT) MY THUAN PROJECT MANAGEMENT UNIT	NK NIPPON KOEI CO.,LTD.	NAME: K. Nemoto SIGNATURE: <i>K. Nemoto</i> DATE: 20/9/2000	NAME: K. Nakai SIGNATURE: <i>K. Nakai</i> DATE: 29/9/2000	NAME: K. Enomoto SIGNATURE: <i>K. Enomoto</i> DATE: 5/10/2000	ROAD LIGHTING LAYOUT PLAN (02)	P1/LS/0020



Note:

- 22KV XLPE/SWA/PVC 185sq-3C
- Under Ground Cable
- GIP Conduit Pipe
- C--- SPARE Conduit (For Future)
- Un Armoured Cable (GIP Conduit)
- Armoured Cable (Under Ground)
- ▭ Cable Rack (w/sep)
- Road Lighting (Single Arm)
- ∞ Road Lighting (Double Arm)
- △ Flood Lighting
- Ceiling Lighting
- ⊗ Foundation (For Future)
- ⊗ MAN HOLE 1500x1500x1500^φ
- ⊗ MAN HOLE 2500x1500x1500^φ
- ⊗ MAN HOLE 2500x2500x1500^φ
- ⊗ MAN HOLE 1000x1000x1000^φ

NO LIGHTING AREA
(FOR FUTURE)

S=1:2000

PROJECT NAME	IMPLEMENTATION AGENCY	EXECUTING AGENCY	JICA STUDY TEAM	PREPARED BY	CHECKED BY	APPROVED BY	DRAWING TITLE	DWG NO.	
				NAME	NAME	NAME			
DETAILED DESIGN OF THE CAN THO BRIDGE CONSTRUCTION PROJECT	JAPAN INTERNATIONAL COOPERATION AGENCY (JICA)	SOCIALIST REPUBLIC OF VIET NAM MINISTRY OF TRANSPORT (MOT) MY THUAN PROJECT MANAGEMENT UNIT	NIPPON KOEI CO.,LTD.	K. Nemoto	K. Nakai	K. Enomoto	ROAD LIGHTING LAYOUT PLAN (03)	P1/LS/0030	
				SIGNATURE	<i>K. Nemoto</i>	<i>K. Nakai</i>			<i>K. Enomoto</i>
				DATE	20/9/2000	29/9/2000			5/10/2000

Note:

- 22KV XLPE/SWA/PVC 185sq-3C
- Under Ground Cable
- GIP Conduit Pipe
- SPARE Conduit (For Future)
- ○ ○ Un Armoured Cable (GIP Conduit)
- ○ ○ Armoured Cable (Under Ground)
- Cable Rack (w/sep)
- Road Lighting (Single Arm)
- ○ Road Lighting (Double Arm)
- △ Flood Lighting
- Ceiling Lighting
- ⊗ Foundation (For Future)
- ⊗ MAN HOLE 1500x1500x1500^D
- ⊗ MAN HOLE 2500x1500x1500^D
- ⊗ MAN HOLE 2500x2500x1500^D
- ⊗ MAN HOLE 1000x1000x1000^D

③ _B For Future	GIP(3")
Spore	GIP(3")x2

② _A For Future	GIP(3")
Spore	GIP(3")x2

REFLECTOR TYPE	FL40W-2 x 6
----------------	-------------



REFLECTOR TYPE	FL40W-2 x 4
----------------	-------------

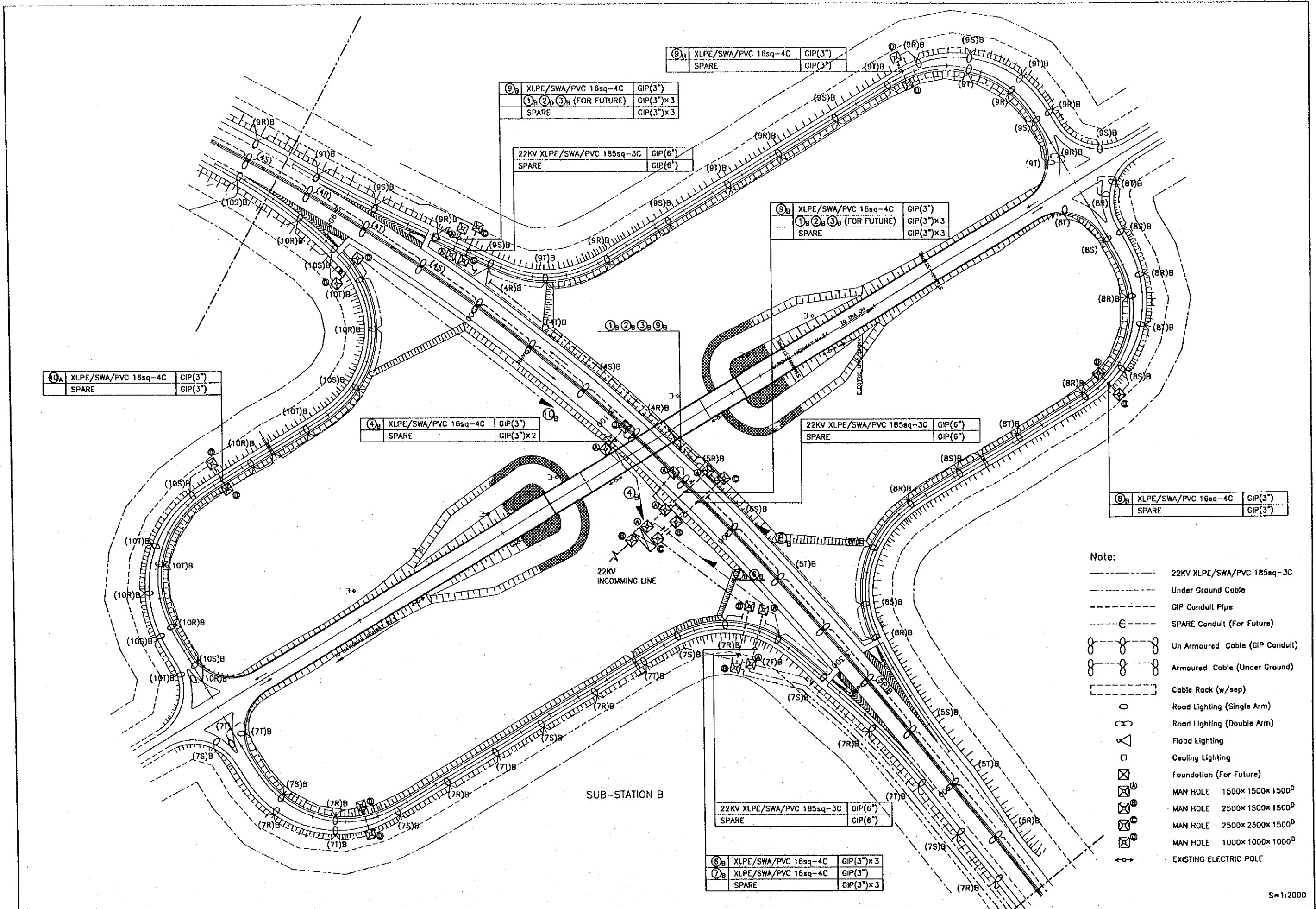
S/S B

NO.	PANEL NAME
①	INCOMING PANEL NO.1
②	RECEIVING PANEL NO.1
③	INCOMING PANEL NO.2
④	RECEIVING PANEL NO.2
⑤	FEEDER PANEL (TO S/S A)
⑥	FEEDER PANEL (TO S/S Tr.)
⑦	FEEDER PANEL (TO S/S C)
⑧	FEEDER PANEL (SPARE)
⑨	LOW VOLTAGE SWGR
⑩	GROUNDING TERMINAL BOX
⑪	SEQUENCE CONTROLLER

S/S B LAYOUT PLAN SCALE 1:100

S=1:2000

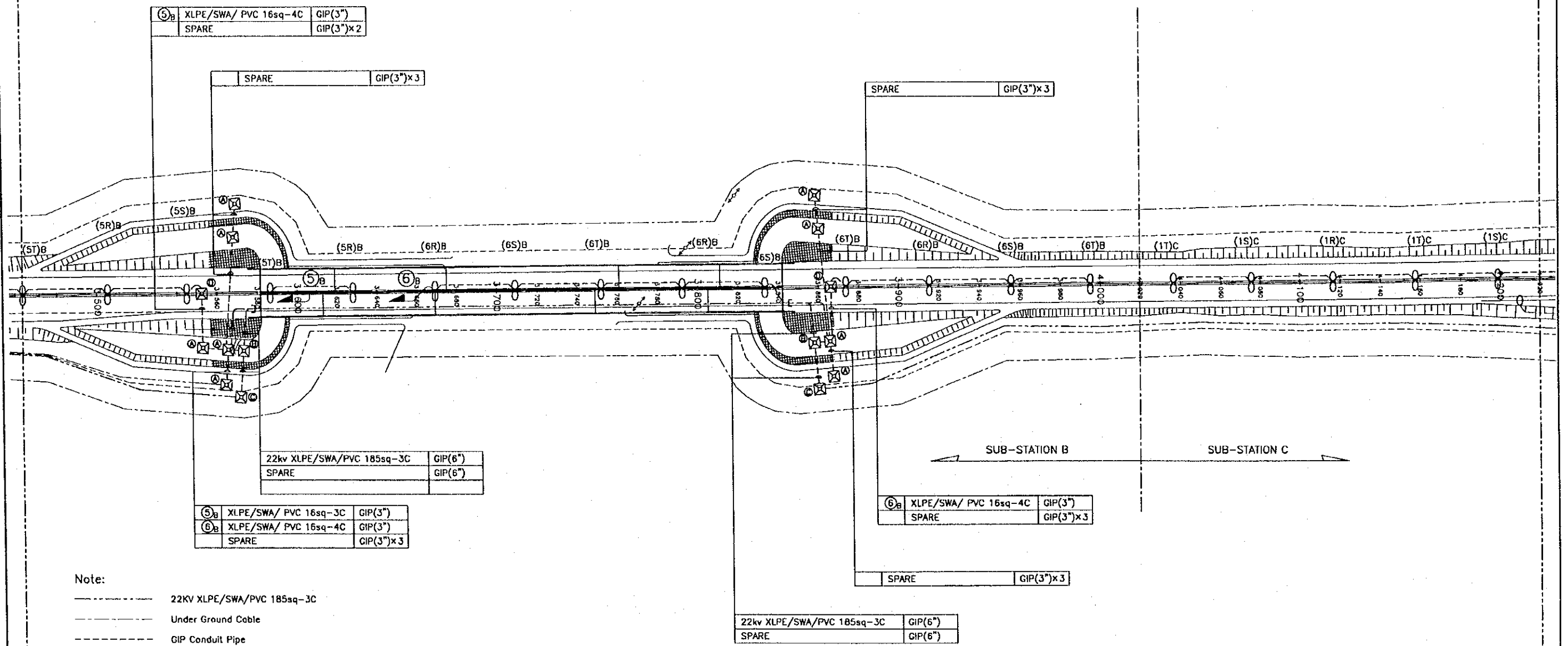
PROJECT NAME	IMPLEMENTATION AGENCY	EXECUTING AGENCY	JICA STUDY TEAM	PREPARED BY	CHECKED BY	APPROVED BY	DRAWING TITLE	DWG NO.
DETAILED DESIGN OF THE CAN THO BRIDGE CONSTRUCTION PROJECT	 JAPAN INTERNATIONAL COOPERATION AGENCY (JICA)	SOCIALIST REPUBLIC OF VIET NAM MINISTRY OF TRANSPORT (MOT) MY THUAN PROJECT MANAGEMENT UNIT	 NIPPON KOEI CO.,LTD.	NAME	K. Nemoto	K. Nakai	ROAD LIGHTING LAYOUT PLAN (05)	P1/LS/0050
				SIGNATURE	<i>K. Nemoto</i>	<i>K. Nakai</i>		
				DATE	20/9/2000	29/9/2000		
APPROVED BY								
							K. Enomoto	
							5/10/2000	



- Note:
- 22KV XLPE/SWA/PVC 185sq-3C
 - Under Ground Cable
 - GIP Conduit Pipe
 - SPARE Conduit (For Future)
 - ○ ○ Un Armoured Cable (GIP Conduit)
 - ○ ○ Armoured Cable (Under Ground)
 - Cable Rack (w/sep)
 - Road Lighting (Single Arm)
 - ○ Road Lighting (Double Arm)
 - △ Flood Lighting
 - Ceiling Lighting
 - ⊠ Foundation (For Future)
 - ⊠ MAN HOLE 1500x 1500x 1500^D
 - ⊠ MAN HOLE 2500x 1500x 1500^D
 - ⊠ MAN HOLE 2500x 2500x 1500^D
 - ⊠ MAN HOLE 1000x 1000x 1000^D
 - ⊠ EXISTING ELECTRIC POLE

S=1:2000

PROJECT NAME	IMPLEMENTATION AGENCY	EXECUTING AGENCY	JICA STUDY TEAM	PREPARED BY	CHECKED BY	APPROVED BY	DRAWING TITLE	DWG NO.
DETAILED DESIGN OF THE CAN THO BRIDGE CONSTRUCTION PROJECT	JICA JAPAN INTERNATIONAL COOPERATION AGENCY (JICA)	SOCIALIST REPUBLIC OF VIET NAM MINISTRY OF TRANSPORT (MOT) MY THUAN PROJECT MANAGEMENT UNIT	NK NIPPON KOEI CO.,LTD.	NAME: K. Nemoto SIGNATURE: <i>K. Nemoto</i> DATE: 20/9/2000	NAME: K. Nakai SIGNATURE: <i>K. Nakai</i> DATE: 29/9/2000	NAME: K. Enomoto SIGNATURE: <i>K. Enomoto</i> DATE: 5/10/2000	ROAD LIGHTING LAYOUT PLAN (06)	P1/LS/0060

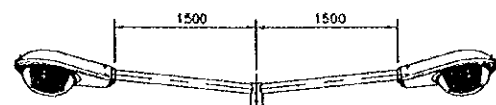


- Note:
- 22KV XLPE/SWA/PVC 185sq-3C
 - Under Ground Cable
 - GIP Conduit Pipe
 - SPARE Conduit (For Future)
 - ⊗ Un Armoured Cable (GIP Conduit)
 - ⊗ Armoured Cable (Under Ground)
 - Cable Rack (w/sep)
 - Road Lighting (Single Arm)
 - ⊗ Road Lighting (Double Arm)
 - △ Flood Lighting
 - Ceiling Lighting
 - ⊗ Foundation (For Future)
 - ⊗ MAN HOLE 1500x1500x1500^D
 - ⊗ MAN HOLE 2500x1500x1500^D
 - ⊗ MAN HOLE 2500x2500x1500^D
 - ⊗ MAN HOLE 1000x1000x1000^D

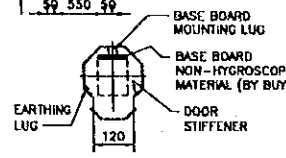
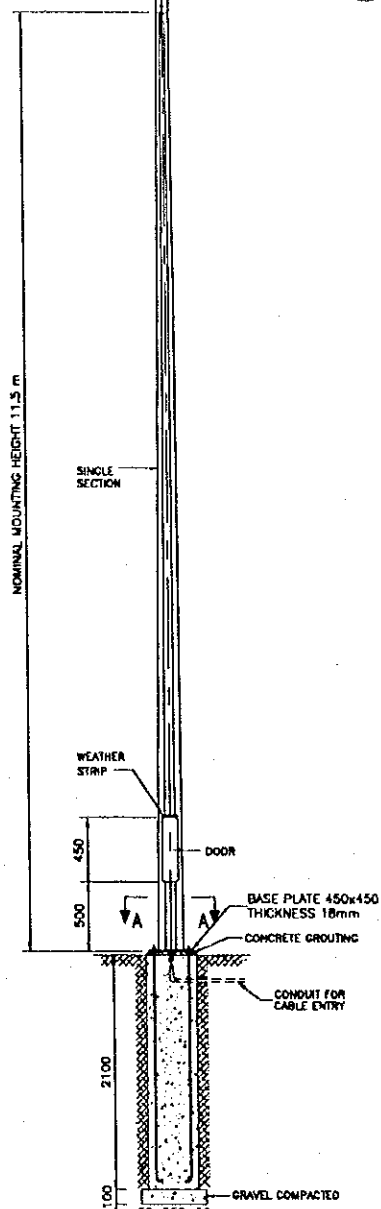
LOAD LIST OF SUB-STATION B							
CIR NO	QTY OF ∞	QTY OF ○	QTY OF △	QTY OF □	QTY OF ⊗	CABLE SIZE	GIP CONDUIT
① _B					10	-	3"
② _B					9	-	3"
③ _B					10	XLPE(SWA/PVC)16sq-4C	3"
④ _B	11					XLPE(SWA/PVC)16sq-4C	3"
⑤ _B	13					XLPE(SWA/PVC)16sq-4C	3"
⑥ _B	9					XLPE(SWA/PVC)16sq-4C	3"
⑦ _B		21				XLPE(SWA/PVC)16sq-4C	3"
⑧ _B		16				XLPE(SWA/PVC)16sq-4C	3"
⑨ _B		23				XLPE(SWA/PVC)16sq-4C	3"
⑩ _B		18				XLPE(SWA/PVC)16sq-4C	3"

S=1:2000

PROJECT NAME	IMPLEMENTATION AGENCY	EXECUTING AGENCY	JICA STUDY TEAM	PREPARED BY	CHECKED BY	APPROVED BY	DRAWING TITLE	DWG NO.
DETAILED DESIGN OF THE CAN THO BRIDGE CONSTRUCTION PROJECT	JICA JAPAN INTERNATIONAL COOPERATION AGENCY (JICA)	SOCIALIST REPUBLIC OF VIET NAM MINISTRY OF TRANSPORT (MOT) MY THUAN PROJECT MANAGEMENT UNIT	(NK) NIPPON KOEI CO.,LTD.	NAME: K. Nemoto SIGNATURE: <i>K. Nemoto</i> DATE: 20/9/2000	NAME: K. Nakai SIGNATURE: <i>K. Nakai</i> DATE: 29/9/2000	NAME: K. Enomoto SIGNATURE: <i>K. Enomoto</i> DATE: 5/10/2000	ROAD LIGHTING LAYOUT PLAN (07)	P1/LS/0070



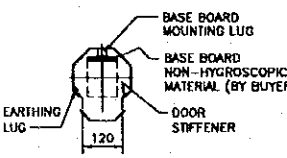
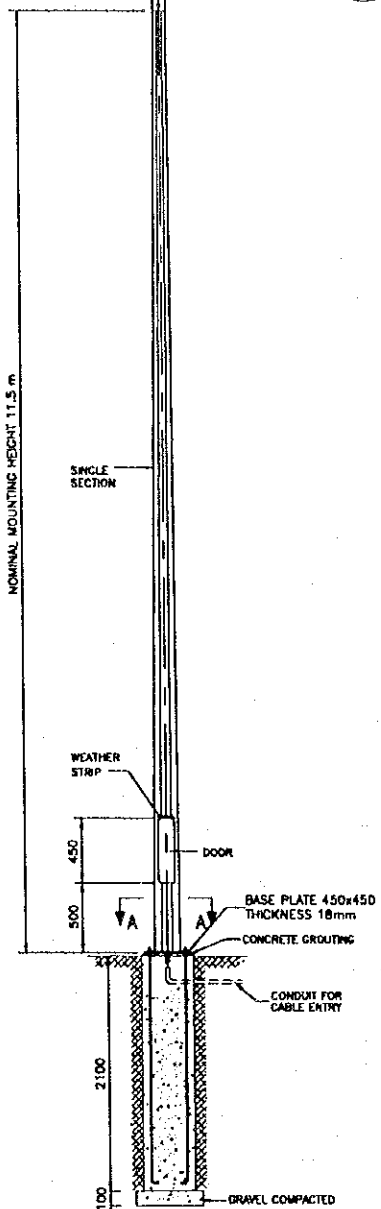
NOMINAL MOUNTING HEIGHT 11.5 m



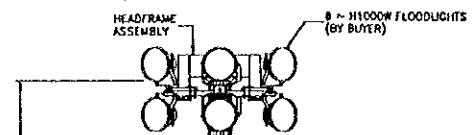
SECT B-B



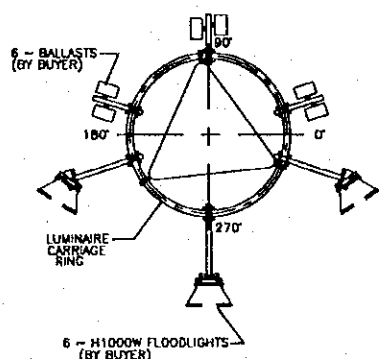
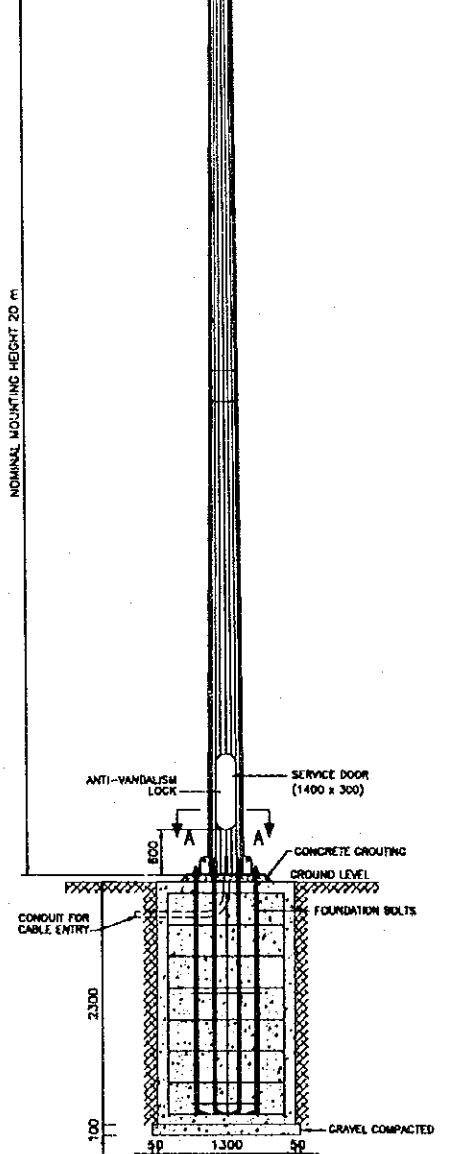
NOMINAL MOUNTING HEIGHT 11.5 m



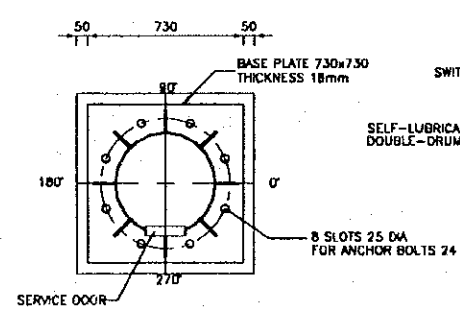
SECT B-B



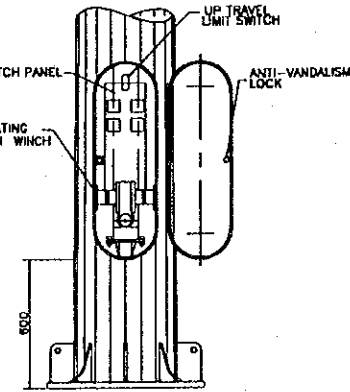
NOMINAL MOUNTING HEIGHT 20 m



TYPICAL ARRANGEMENT OF LUMINAIRES

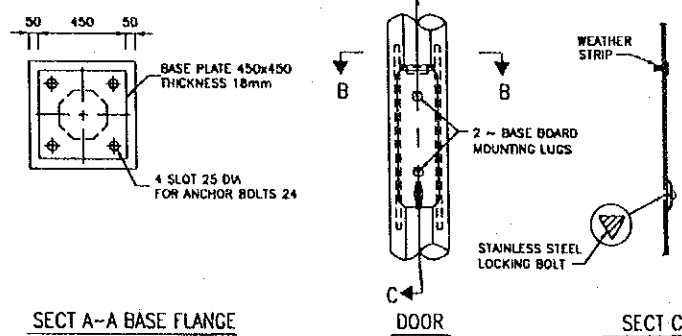


SECT A-A BASE FLANGE ARRANGEMENT OF LUMINAIRES



DOOR DETAIL

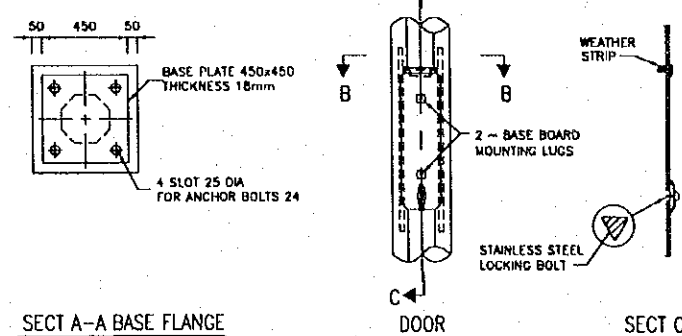
SYMBOL	DESCRIPTION	TYPE OF LAMP
○	A 251W, A 252W	NH 250W
▽	B 101W	H 1000W
□	C 151W	NH 150W



SECT A-A BASE FLANGE

DOOR

SECT C-C

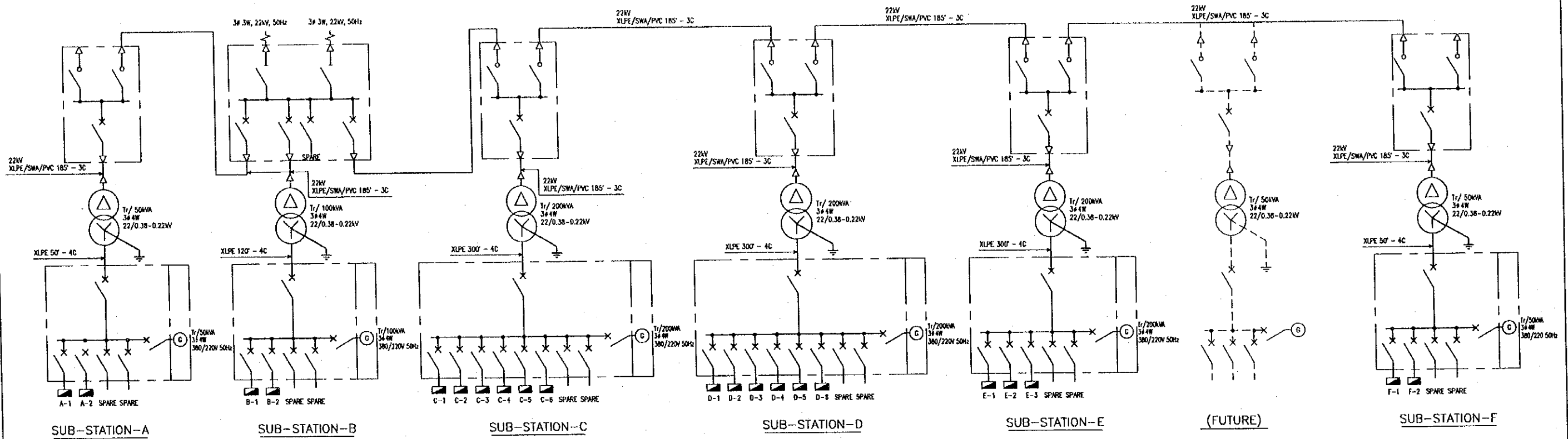


SECT A-A BASE FLANGE

DOOR

SECT C-C

PROJECT NAME	IMPLEMENTATION AGENCY	EXECUTING AGENCY	JICA STUDY TEAM	PREPARED BY	CHECKED BY	APPROVED BY	DRAWING TITLE	DWG NO.
DETAILED DESIGN OF THE CAN THO BRIDGE CONSTRUCTION PROJECT	JICA JAPAN INTERNATIONAL COOPERATION AGENCY (JICA)	SOCIALIST REPUBLIC OF VIET NAM MINISTRY OF TRANSPORT (MOT) MY THUAN PROJECT MANAGEMENT UNIT	NK NIPPON KOEI CO.,LTD.	K. Nemoto	K. Nakai	K. Enomoto	LIGHTING FIXTURE FIGURE	P1/LS/0090

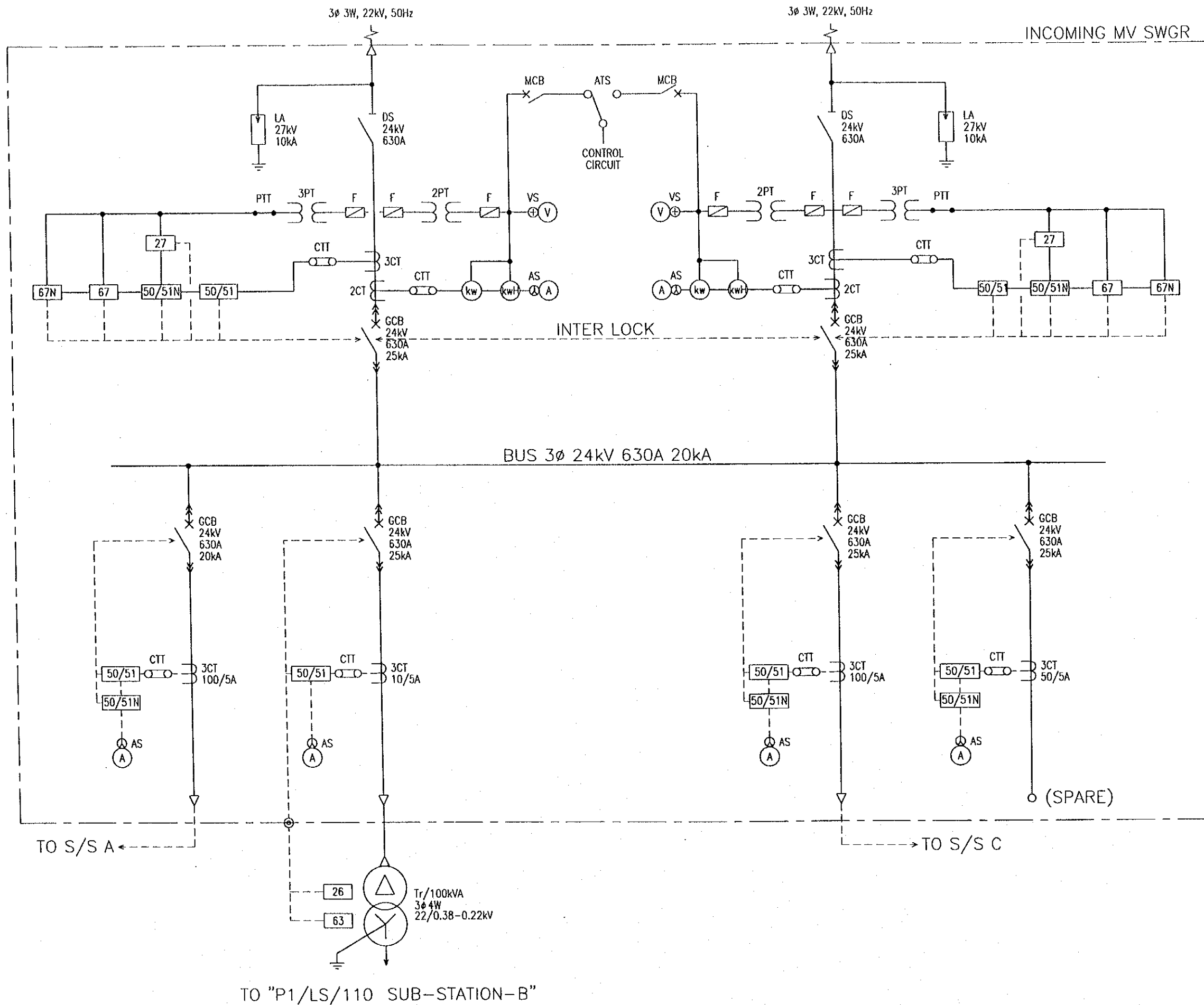


LEGEND :

- CIRCUIT BREAKER
- CABLE CONNECTION
- OIL TRANSFORMER
- DISCONNECTING SWITCH
- AC LOAD BREAK SWITCH
- GENERATOR
- DISTRIBUTION BOARD
- PHOTO SWITCH
- TIMER (24HOUR)
- UNDER VOLTAGE RELAY
- MOTOR OPERATION UNIT(W/UNDER VOLTAGE)
- GROUND OVER CURRENT RELAY
- THERMAL RELAY
- PRESSURE OF VACUUM RELAY
- OVER CURRENT RELAY

S=NONE

PROJECT NAME	IMPLEMENTATION AGENCY	EXECUTING AGENCY	JICA STUDY TEAM	PREPARED BY	CHECKED BY	APPROVED BY	DRAWING TITLE	DWG NO.	
				NAME	NAME	NAME			
DETAILED DESIGN OF THE CAN THO BRIDGE CONSTRUCTION PROJECT	JAPAN INTERNATIONAL COOPERATION AGENCY (JICA)	SOCIALIST REPUBLIC OF VIET NAM MINISTRY OF TRANSPORT (MOT) MY THUAN PROJECT MANAGEMENT UNIT	NIPPON KOEI CO.,LTD.	K. Nemoto	K. Nakai	K. Enomoto	POWER RECEIVING SYSTEM SINGLE LINE DIAGRAM	P1/L/S/0100	
				SIGNATURE	<i>K. Nemoto</i>	<i>K. Nakai</i>			<i>K. Enomoto</i>
				DATE	20/9/2000	29/9/2000			5/10/2000



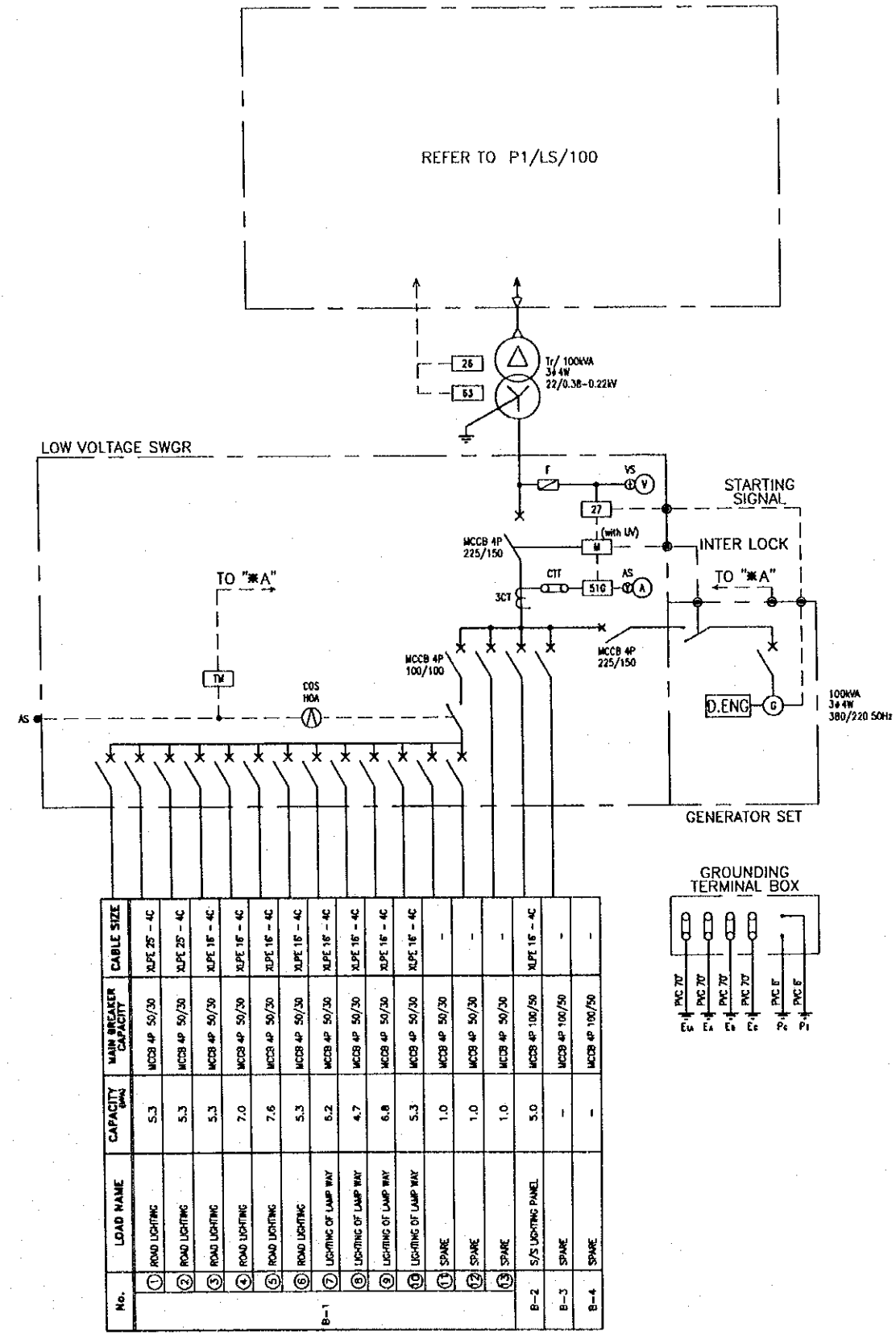
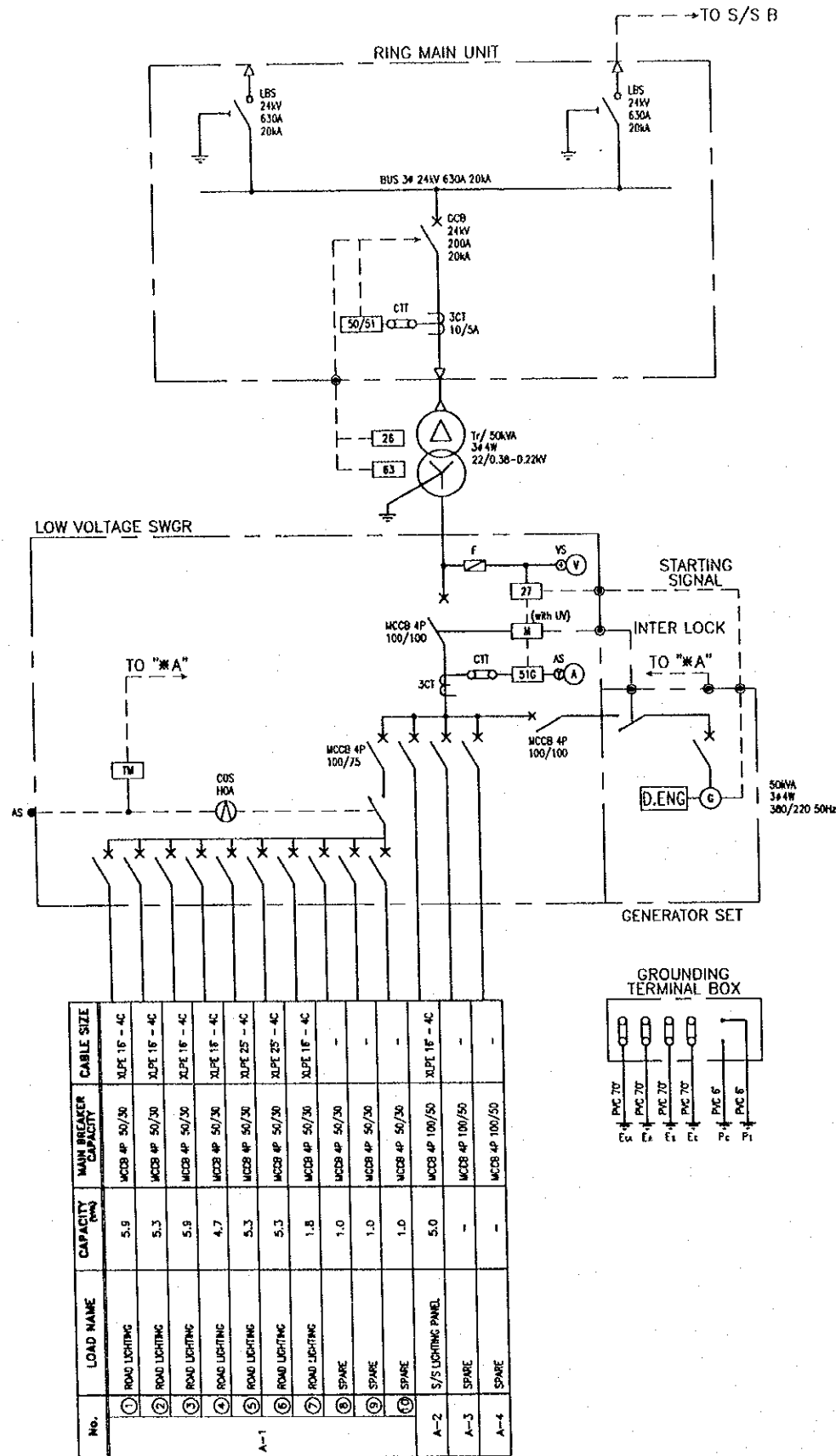
TO "P1/LS/110 SUB-STATION-B"

S=NONE

PROJECT NAME	IMPLEMENTATION AGENCY	EXECUTING AGENCY	JICA STUDY TEAM	PREPARED BY	CHECKED BY	APPROVED BY	DRAWING TITLE	DWG NO.	
				NAME	NAME	NAME			
DETAILED DESIGN OF THE CAN THO BRIDGE CONSTRUCTION PROJECT	JAPAN INTERNATIONAL COOPERATION AGENCY (JICA)	SOCIALIST REPUBLIC OF VIET NAM MINISTRY OF TRANSPORT (MOT) MY THUAN PROJECT MANAGEMENT UNIT	NIPPON KOEI CO.,LTD.	NAME	K. Nemoto	K. Nakai	K. Enomoto	DETAIL OF POWER RECEIVING SYSTEM (SUB-STATION-B)	P1/LS/0110
				SIGNATURE	<i>K. Nemoto</i>	<i>K. Nakai</i>	<i>K. Enomoto</i>		
				DATE	20/9/2000	29/9/2000	5/10/2000		

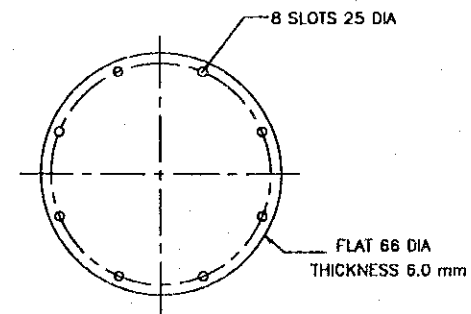
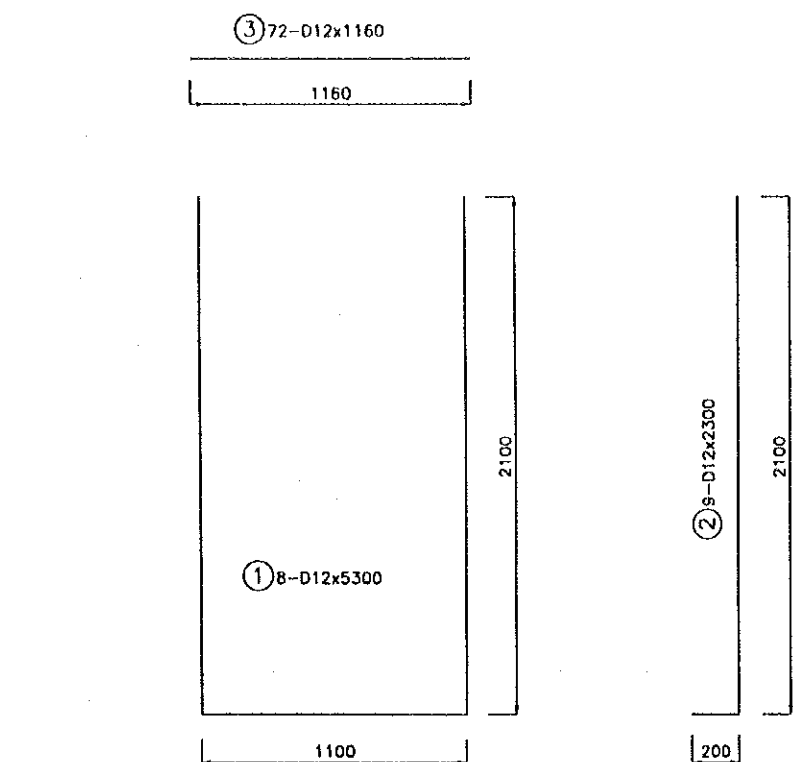
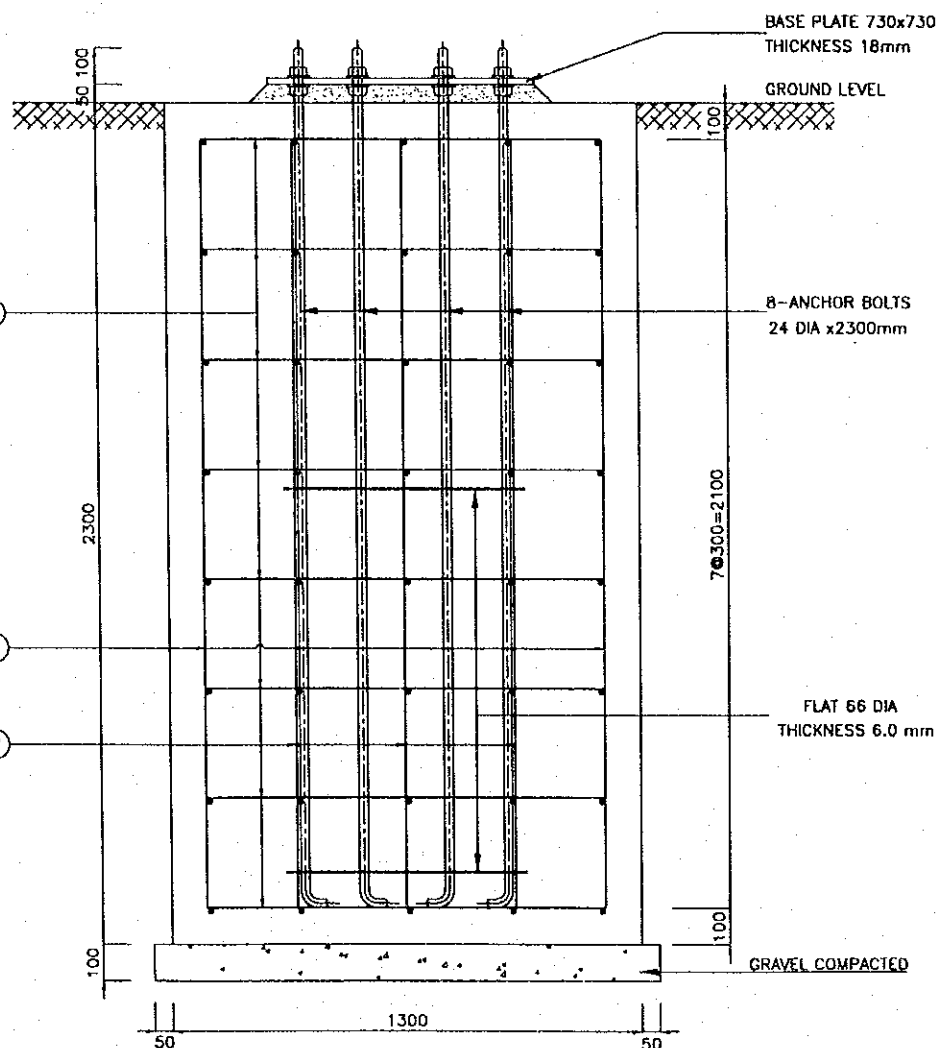
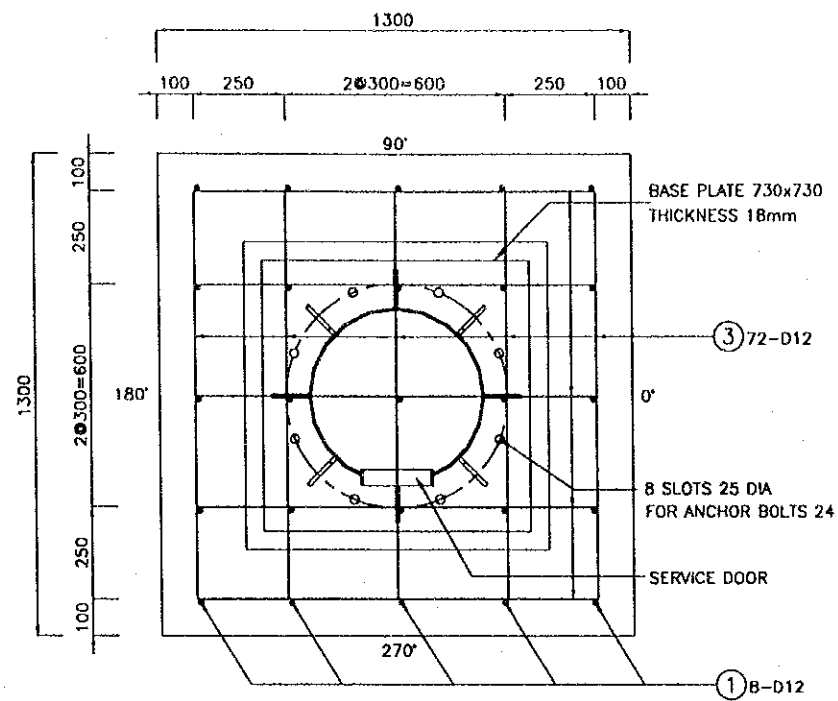
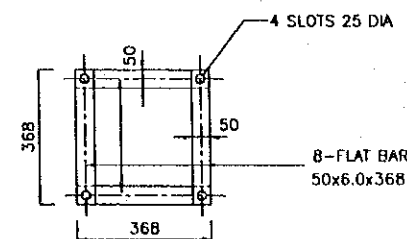
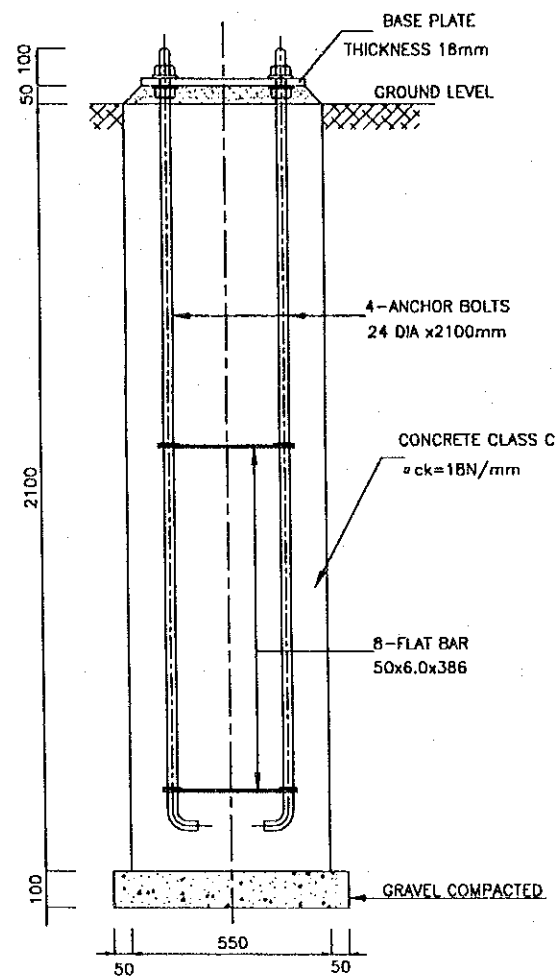
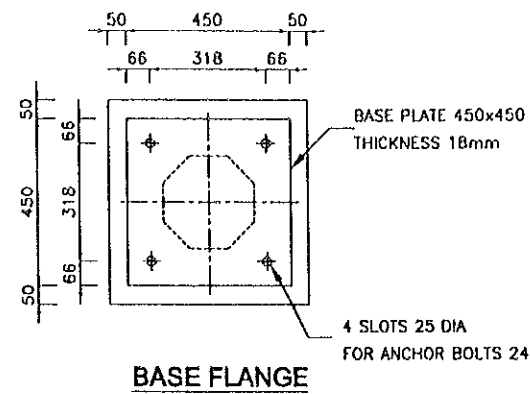
SUB-STATION-A

SUB-STATION-B



S=NONE

PROJECT NAME	IMPLEMENTATION AGENCY	EXECUTING AGENCY	JICA STUDY TEAM	PREPARED BY	CHECKED BY	APPROVED BY	DRAWING TITLE	DWG NO.
DETAILED DESIGN OF THE CAN THO BRIDGE CONSTRUCTION PROJECT	JICA JAPAN INTERNATIONAL COOPERATION AGENCY (JICA)	SOCIALIST REPUBLIC OF VIET NAM MINISTRY OF TRANSPORT (MOT) MY THUAN PROJECT MANAGEMENT UNIT	(NK) NIPPON KOEI CO.,LTD.	NAME: K. Nemoto SIGNATURE: <i>K. Nemoto</i> DATE: 20/9/2000	NAME: K. Nakai SIGNATURE: <i>K. Nakai</i> DATE: 24/9/2000	NAME: K. Enomoto SIGNATURE: <i>K. Enomoto</i> DATE: 5/10/2000	DETAIL OF POWER RECEIVING SYSTEM (DISTRIBUTION PANEL DIAGRAM No.1)	P1/LS/0120



LIST OF REINFORCEMENT

TYPE	DIA.	LENGTH	NUMBER	WEIGHT/m	WEIGHT/no.	WEIGHT	REMARKS
1	D12	5,300	8	0.888	4.71	38	U
2	D12	2,300	9	0.888	2.04	19	L
3	D12	1,160	72	0.888	1.03	75	-
						D12	132 kgf
						TOTAL	132 kgf

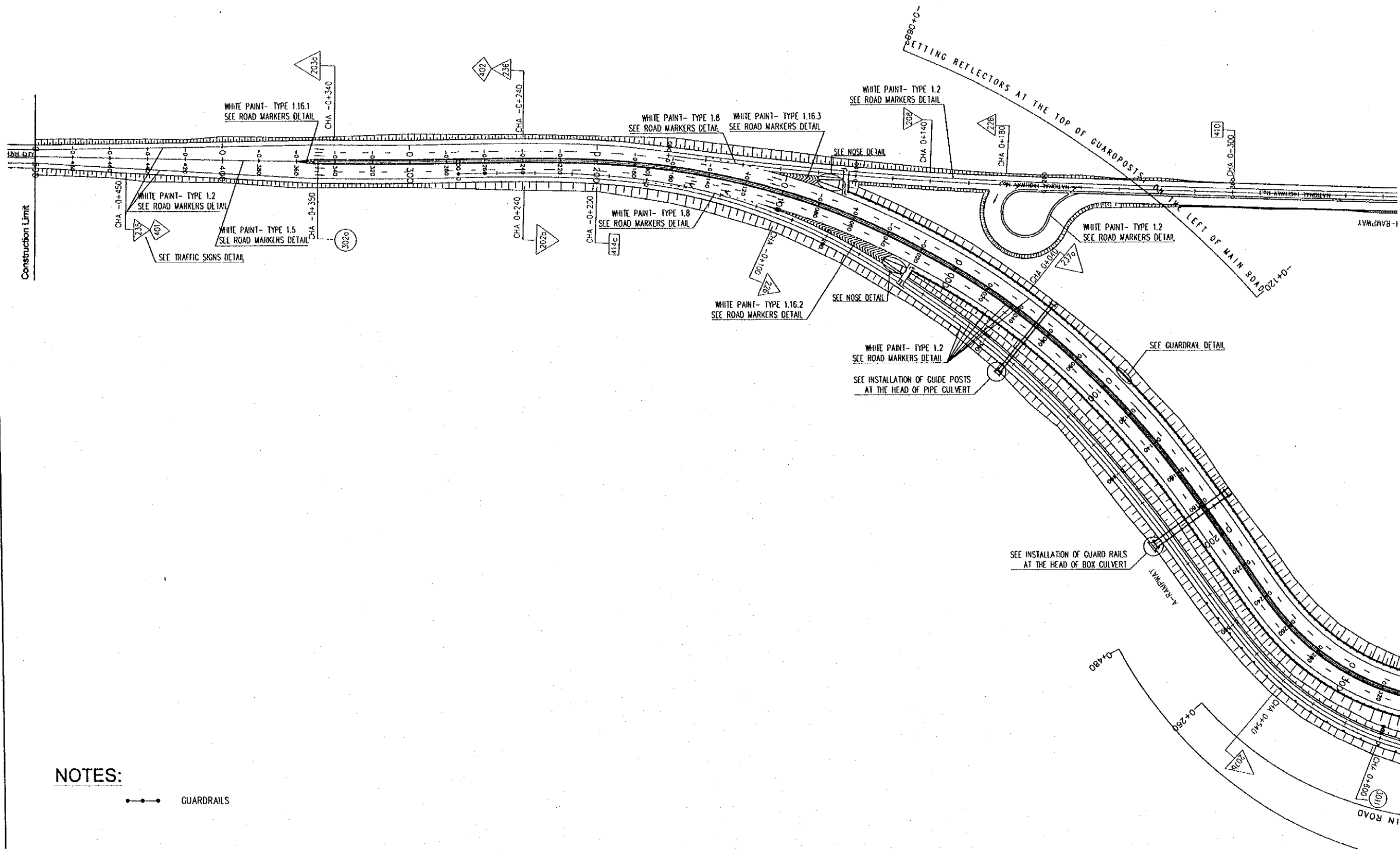
BASE CONCRETE FOR 11.5m POLE

BASE CONCRETE FOR 20.0m POLE

S=1:20

PROJECT NAME	IMPLEMENTATION AGENCY	EXECUTING AGENCY	JICA STUDY TEAM	PREPARED BY	CHECKED BY	APPROVED BY	DRAWING TITLE	DWG NO.
DETAILED DESIGN OF THE CAN THO BRIDGE CONSTRUCTION PROJECT	JICA JAPAN INTERNATIONAL COOPERATION AGENCY (JICA)	SOCIALIST REPUBLIC OF VIET NAM MINISTRY OF TRANSPORT (MOT) MY THUAN PROJECT MANAGEMENT UNIT	(NK) NIPPON KOEI CO.,LTD.	NAME: K. Nemoto SIGNATURE: <i>K. Nemoto</i> DATE: 20/9/2000	NAME: K. Nakai SIGNATURE: <i>K. Nakai</i> DATE: 29/9/2000	NAME: K. Enomoto SIGNATURE: <i>K. Enomoto</i> DATE: 5/10/2000	DETAIL OF LIGHTING POLE HOLE	P1/LS/0140

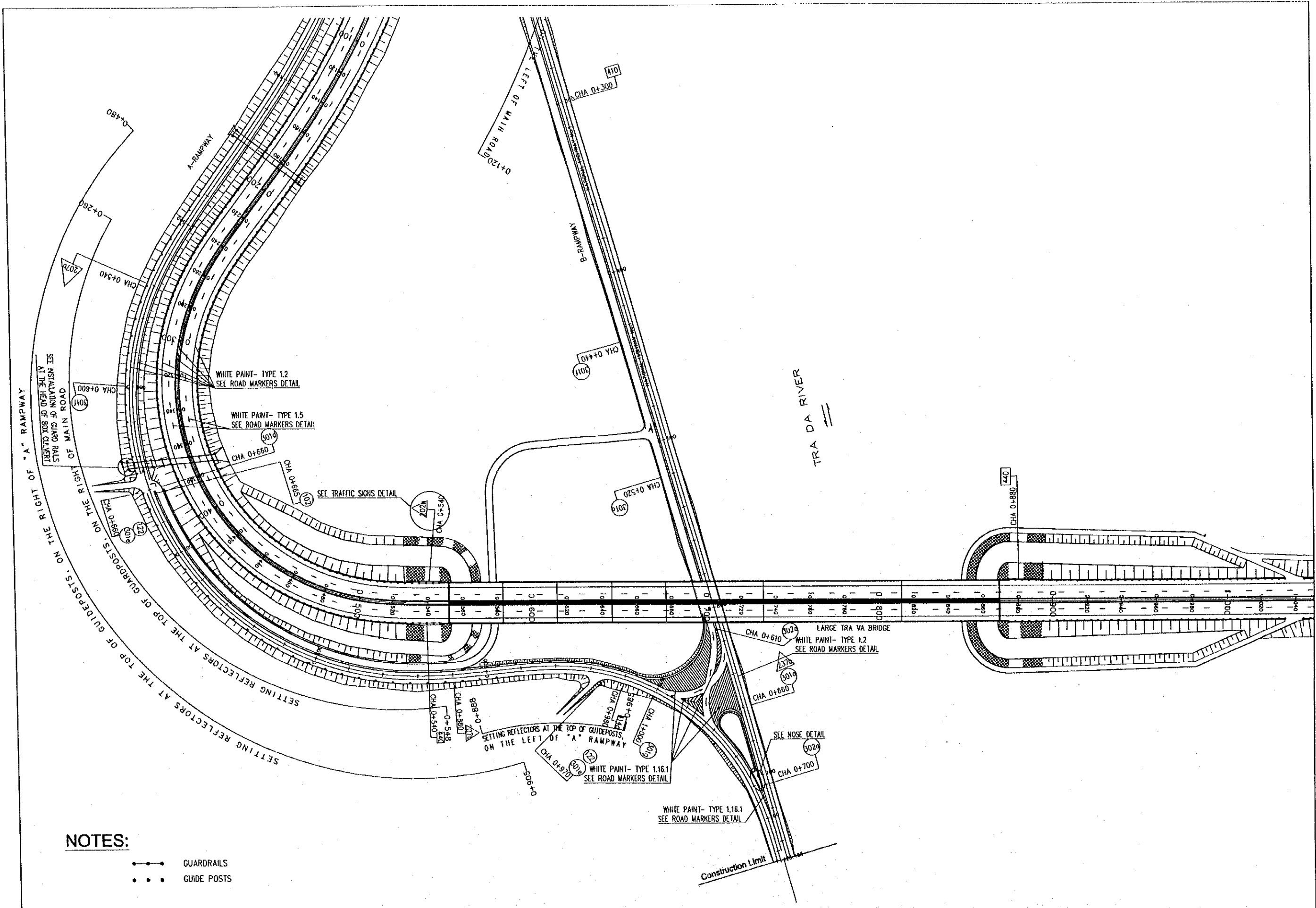
P1/MS MISCELLANEOUS



NOTES:



—•—•— GUARDRAILS

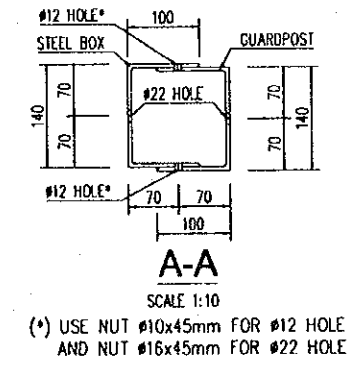
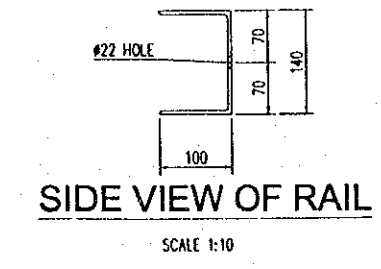
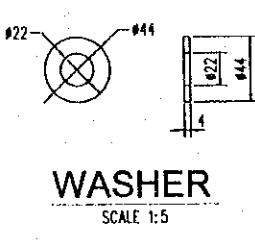
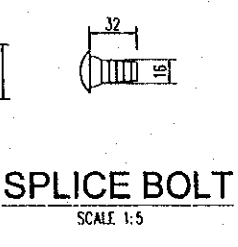
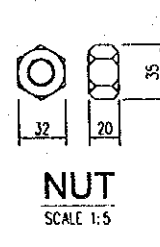
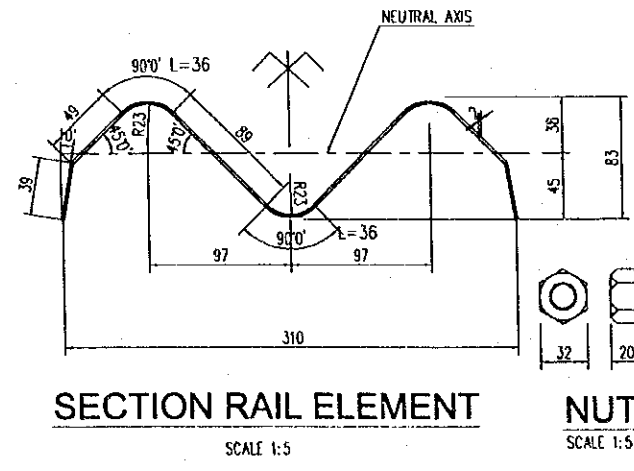
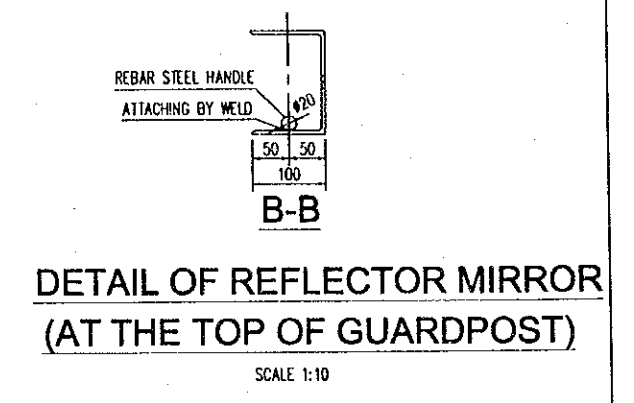
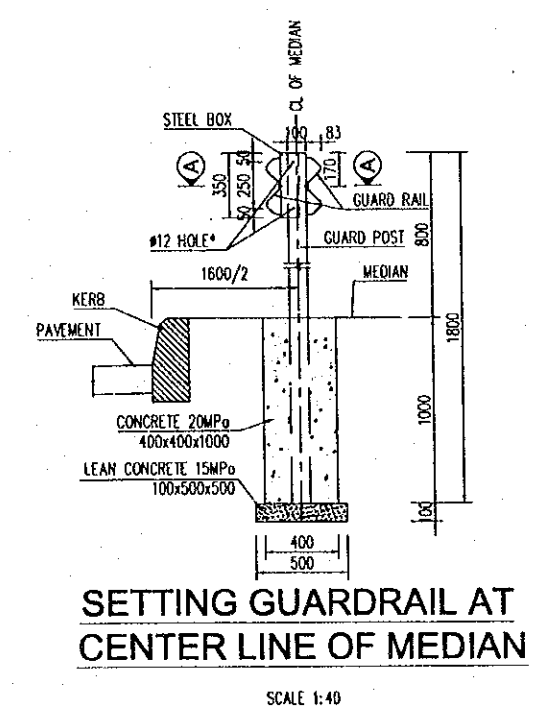
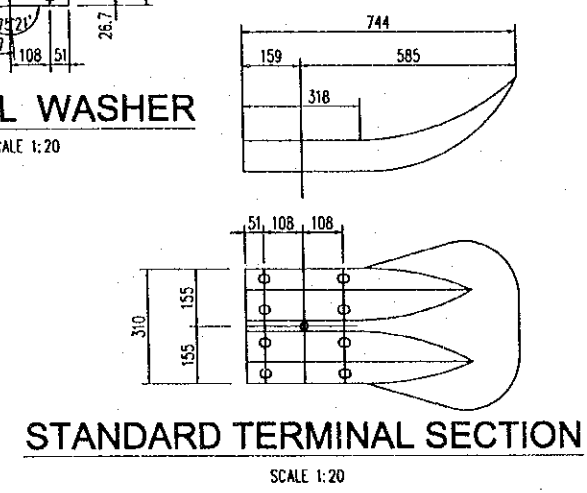
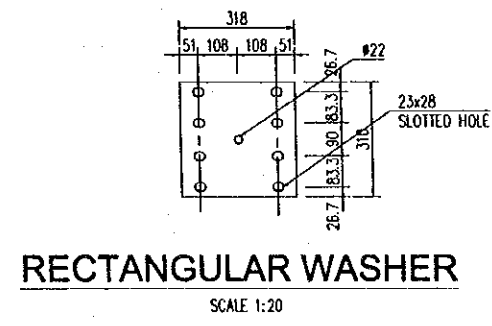
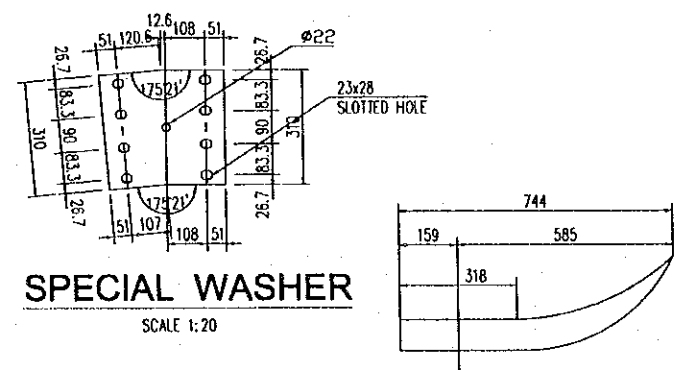
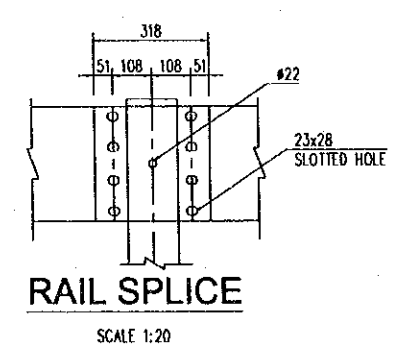
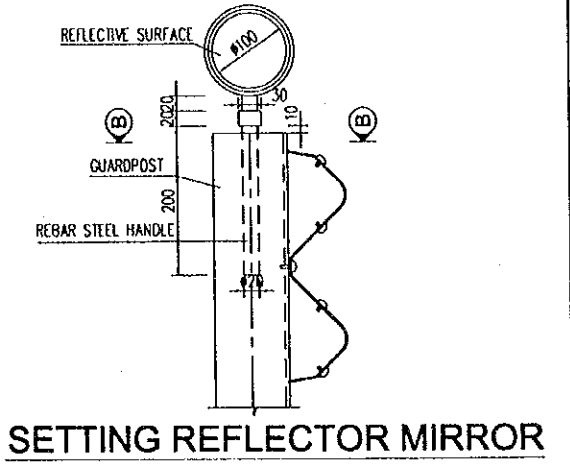
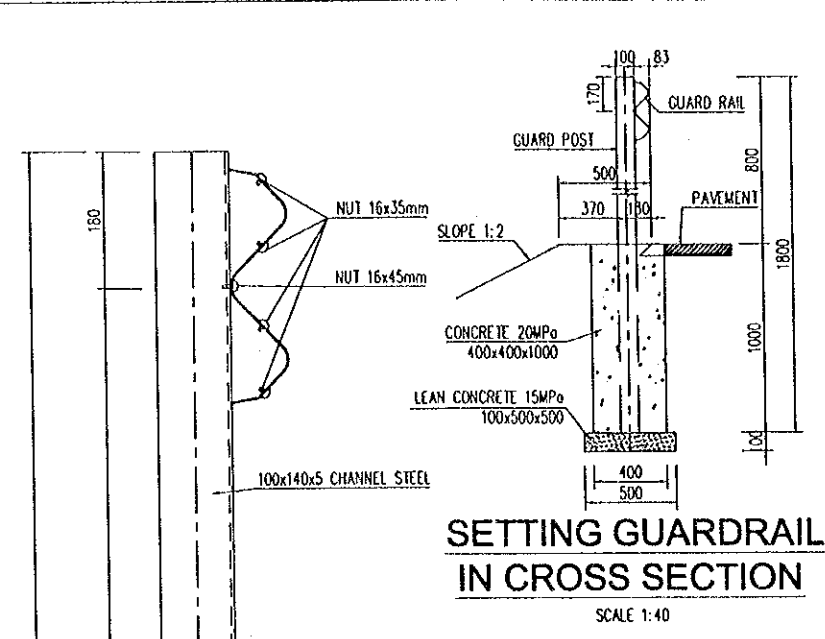
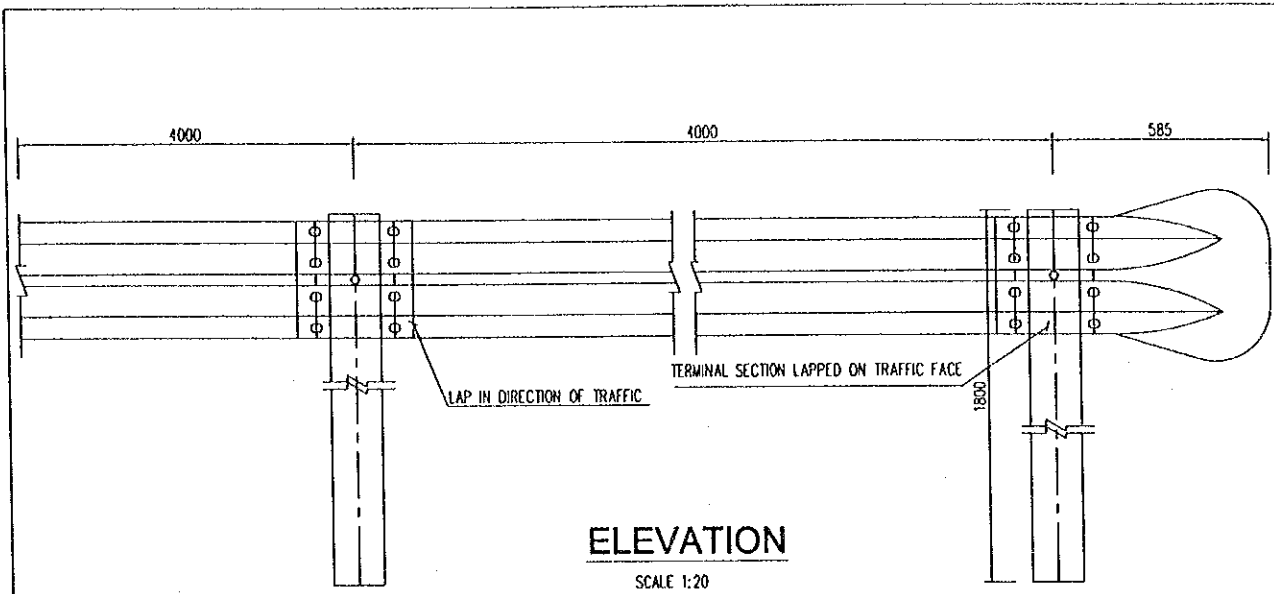
PROJECT NAME	IMPLEMENTATION AGENCY	EXECUTING AGENCY	JICA STUDY TEAM	PREPARED BY	CHECKED BY	APPROVED BY	DRAWING TITLE	DWG NO.
DETAILED DESIGN OF THE CAN THO BRIDGE CONSTRUCTION PROJECT	JICA JAPAN INTERNATIONAL COOPERATION AGENCY (JICA)	SOCIALIST REPUBLIC OF VIET NAM MINISTRY OF TRANSPORT (MOT) MY THUAN PROJECT MANAGEMENT UNIT	NIPPON KOEI CO.,LTD.	NAME: K. Nemoto SIGNATURE: <i>K. Nemoto</i> DATE: 20/9/2000	NAME: K. Nakai SIGNATURE: <i>K. Nakai</i> DATE: 29/9/2000	NAME: K. Enomoto SIGNATURE: <i>K. Enomoto</i> DATE: 5/10/2000	PLAN OF LAYOUT TRAFFIC SIGNS GUARD RAILS AND GUARD POSTS (1/5)	P1/MS/0010



NOTES:

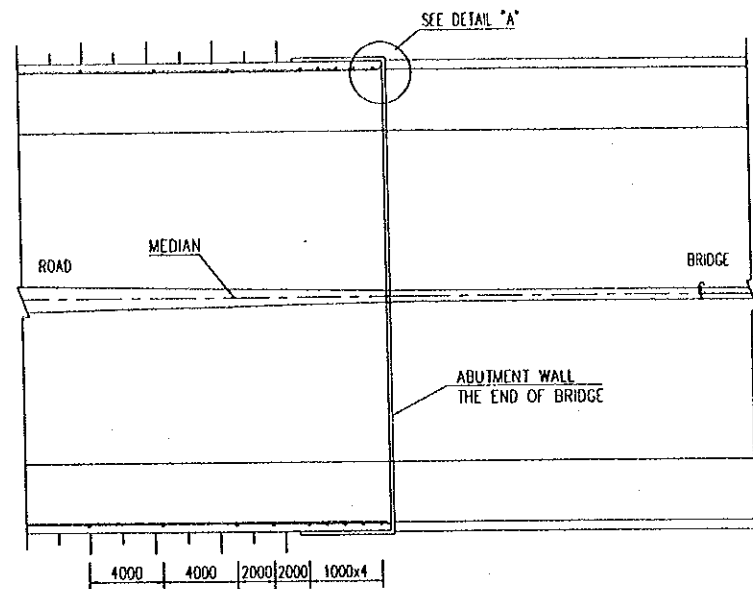
- GUARDRAILS
- GUIDE POSTS

PROJECT NAME	IMPLEMENTATION AGENCY	EXECUTING AGENCY	JICA STUDY TEAM	PREPARED BY	CHECKED BY	APPROVED BY	DRAWING TITLE	DWG NO.
DETAILED DESIGN OF THE CAN THO BRIDGE CONSTRUCTION PROJECT	 JAPAN INTERNATIONAL COOPERATION AGENCY (JICA)	SOCIALIST REPUBLIC OF VIET NAM MINISTRY OF TRANSPORT (MOT) MY THUAN PROJECT MANAGEMENT UNIT	 NIPPON KOEI CO.,LTD.	NAME: K. Nemoto SIGNATURE: <i>K. Nemoto</i> DATE: 20/9/2000	NAME: K. Nakai SIGNATURE: <i>K. Nakai</i> DATE: 29/9/2000	NAME: K. Enomoto SIGNATURE: <i>K. Enomoto</i> DATE: 5/10/2000	PLAN OF LAYOUT TRAFFIC SIGNS GUARD RAILS AND GUARD POSTS (2/5)	P1/MS/0020



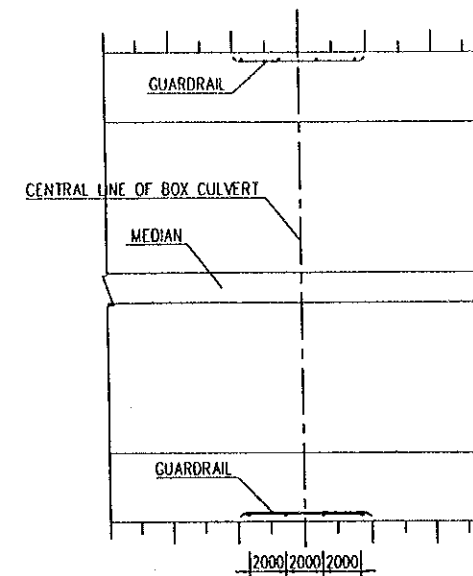
(*) USE NUT #10x45mm FOR #12 HOLE AND NUT #16x45mm FOR #22 HOLE

PROJECT NAME	IMPLEMENTATION AGENCY	EXECUTING AGENCY	JICA STUDY TEAM	PREPARED BY	CHECKED BY	APPROVED BY	DRAWING TITLE	DWG NO.
DETAILED DESIGN OF THE CAN THO BRIDGE CONSTRUCTION PROJECT	JICA JAPAN INTERNATIONAL COOPERATION AGENCY (JICA)	SOCIALIST REPUBLIC OF VIET NAM MINISTRY OF TRANSPORT (MOT) MY THUAN PROJECT MANAGEMENT UNIT	(NK) NIPPON KOEI CO.,LTD.	NAME: K. Nemoto SIGNATURE: <i>K. Nemoto</i> DATE: 20/9/2000	NAME: K. Nakai SIGNATURE: <i>K. Nakai</i> DATE: 29/9/2000	NAME: K. Enomoto SIGNATURE: <i>K. Enomoto</i> DATE: 5/10/2000	DETAIL OF GUARDRAIL AND GUARDPOST (1/2)	P1/MS/0060



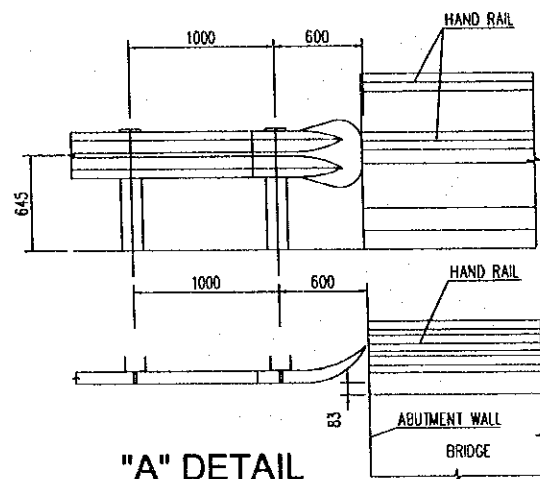
PLAN INSTALLATION OF GUARDRAIL ON BRIDGE'S APPROACH ROAD

SCALE 1:400



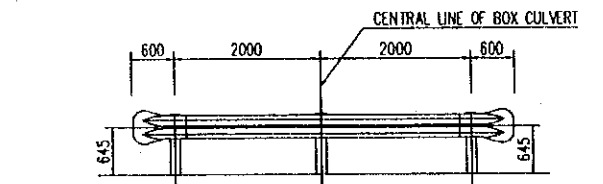
PLAN INSTALLATION OF GUARDRAIL AT BOX CULVERT'S HEAD

SCALE 1:400

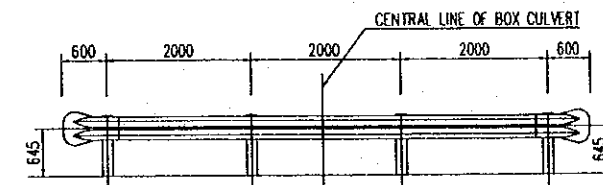


"A" DETAIL

SCALE 1:50



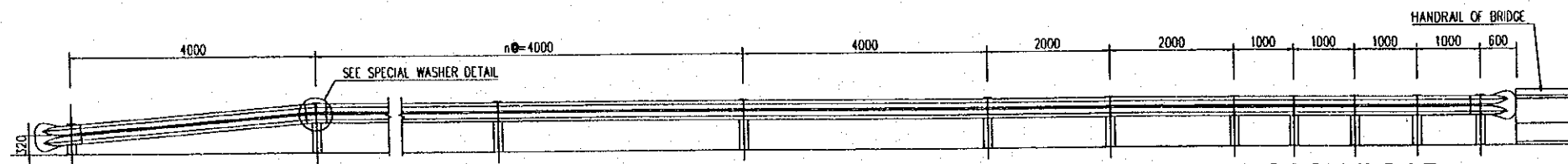
TYPE 1: SINGLE BOX CULVERT



TYPE 2: DOUBLE BOX CULVERT

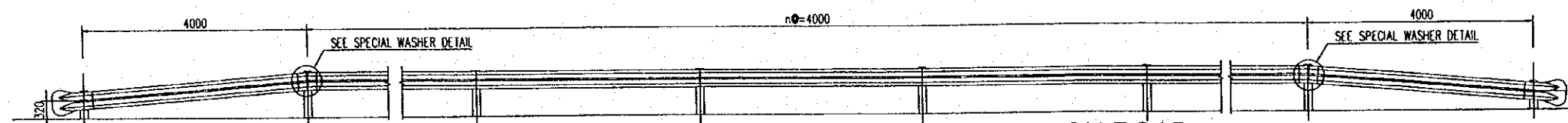
SIDE VIEW OF INSTALLATION OF GUARD RAIL AT BOX CULVERT'S HEAD

SCALE 1:100



SIDE VIEW OF INSTALLATION OF GUARD RAIL ON BRIDGE'S APPROACH ROAD

SCALE 1:100



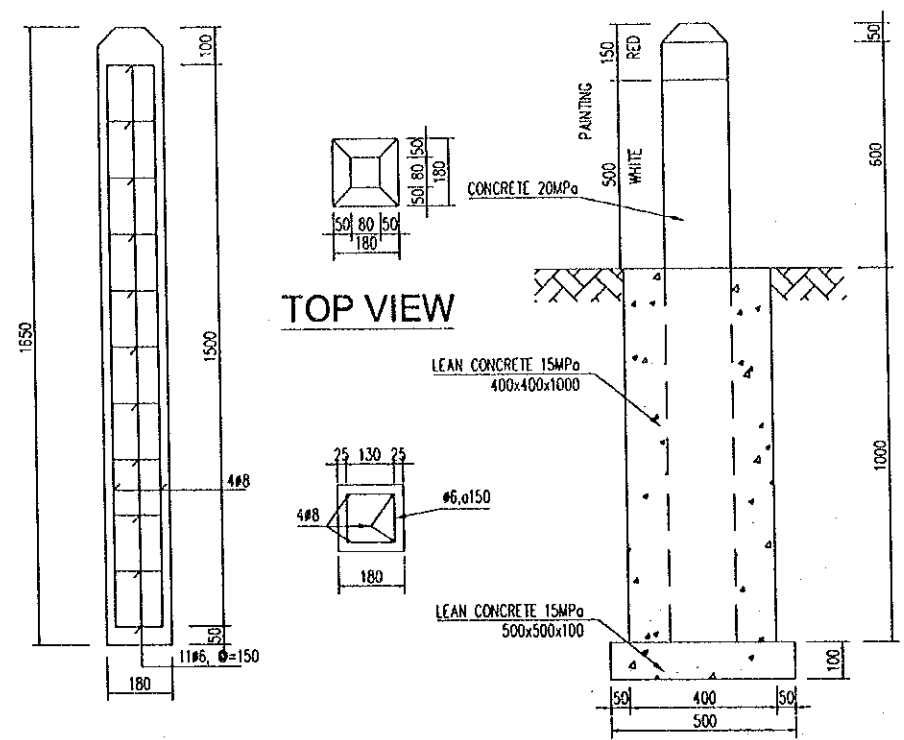
SIDE VIEW OF INSTALLATION OF GUARD RAIL ON ROAD

SCALE 1:100

NOTE: IF EMBANKMENT HEIGH IS LESS THAN 2.0m

DO NOT INSTALL GUARDRAILS (VIETNAM SPECIFICATIONS OF ROAD SIGNS)

PROJECT NAME	IMPLEMENTATION AGENCY	EXECUTING AGENCY	JICA STUDY TEAM	PREPARED BY	CHECKED BY	APPROVED BY	DRAWING TITLE	DWG NO.
DETAILED DESIGN OF THE CAN THO BRIDGE CONSTRUCTION PROJECT	JAPAN INTERNATIONAL COOPERATION AGENCY (JICA)	SOCIALIST REPUBLIC OF VIET NAM MINISTRY OF TRANSPORT (MOT) MY THUAN PROJECT MANAGEMENT UNIT	NIPPON KOEI CO.,LTD.	NAME	K. Nemoto	K. Nakai	INSTALLING OF GUARD RAIL (2/2)	P1/MS/0070
				SIGNATURE	<i>K. Nemoto</i>	<i>K. Nakai</i>		
				DATE	20/9/2000	29/9/2000		
						K. Enomoto		



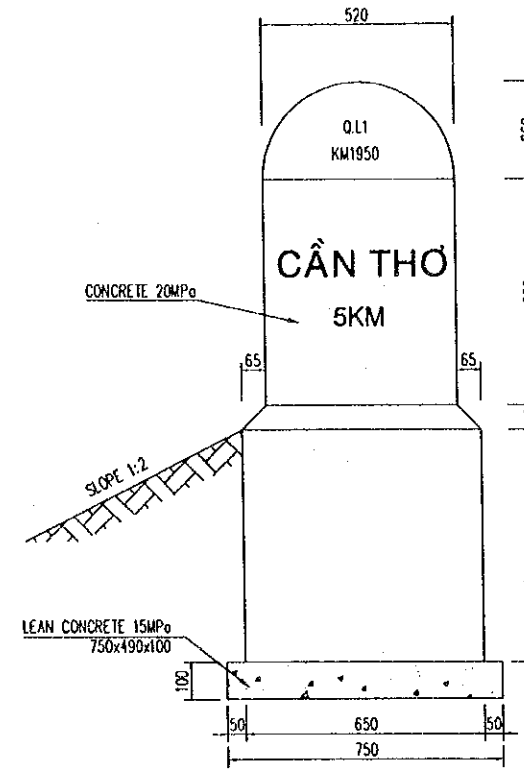
TOP VIEW

FRONT VIEW

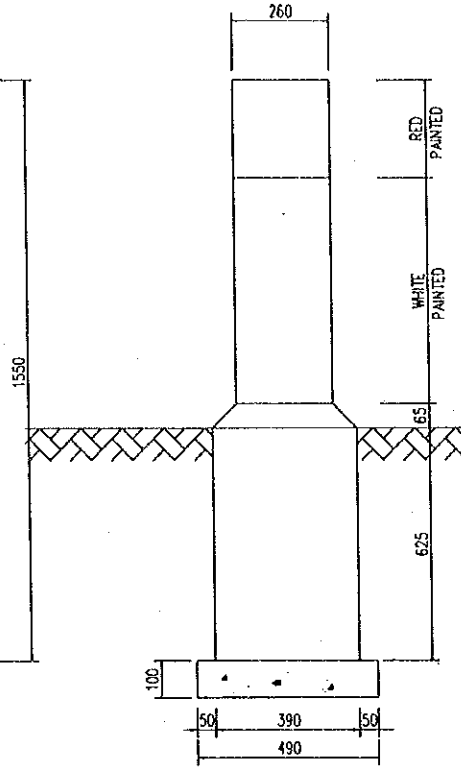
REINFORCEMENT DETAIL

GUIDE POST

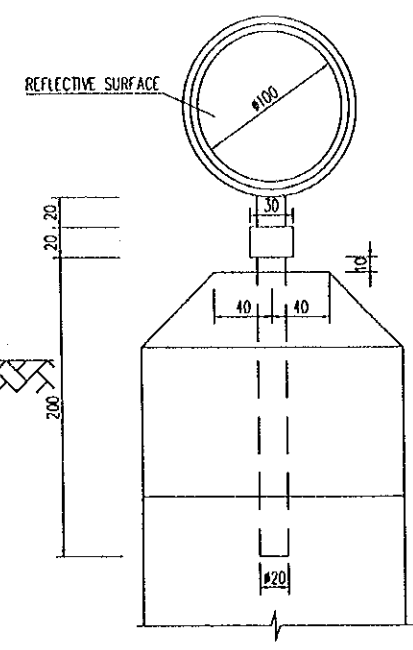
SCALE 1:20



FRONT VIEW

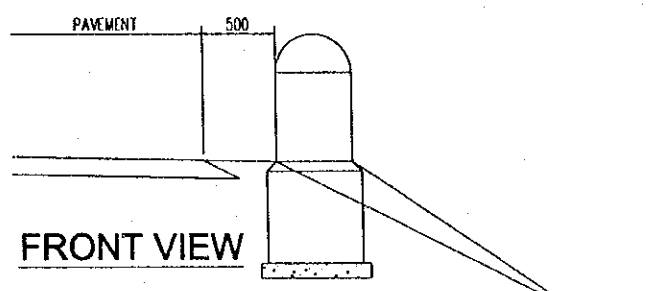


SIDE VIEW

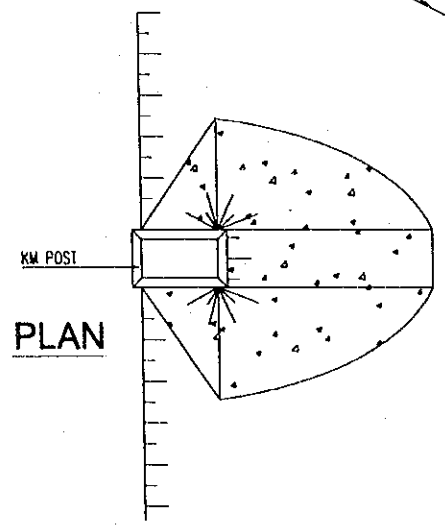


SETTING REFLECTOR AT THE TOP OF GUIDE POST

SCALE 1:5



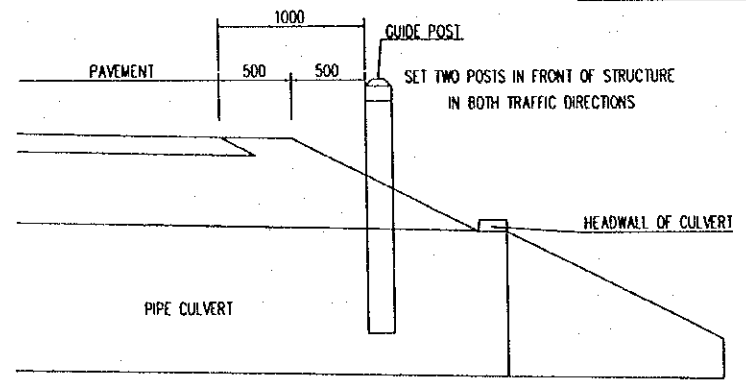
FRONT VIEW



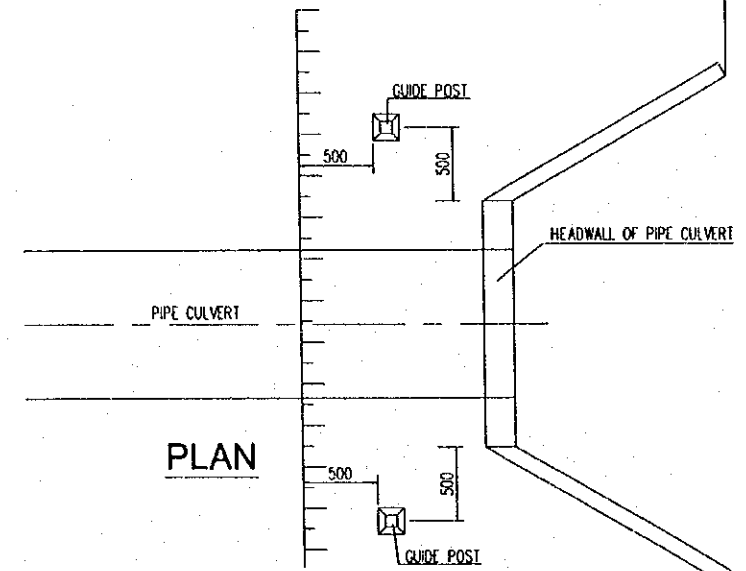
PLAN

INSTALLING KM POST

SCALE 1:50



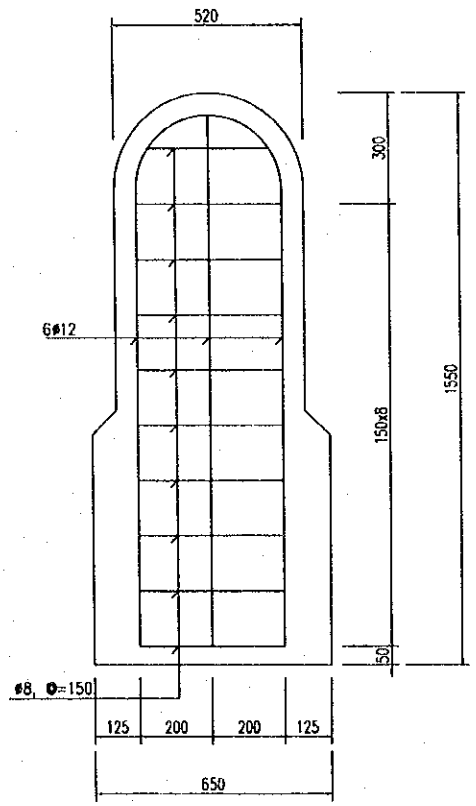
FRONT VIEW



PLAN

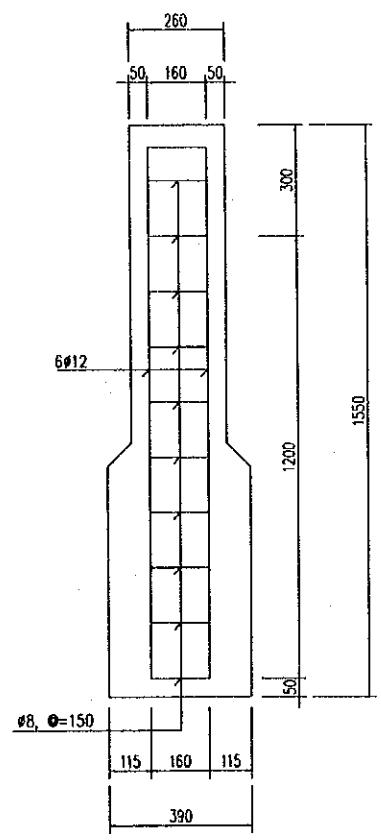
INSTALLING GUIDE POST

SCALE 1:50

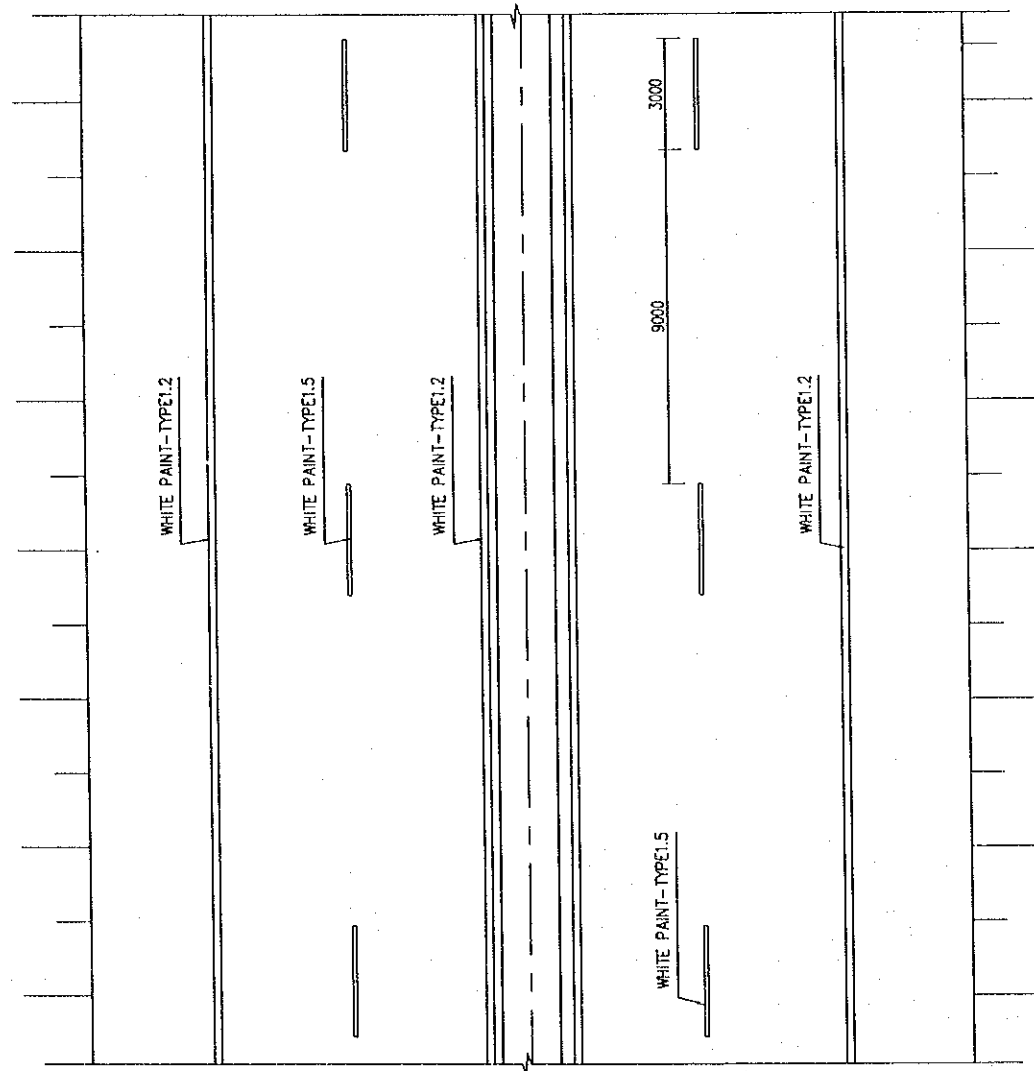
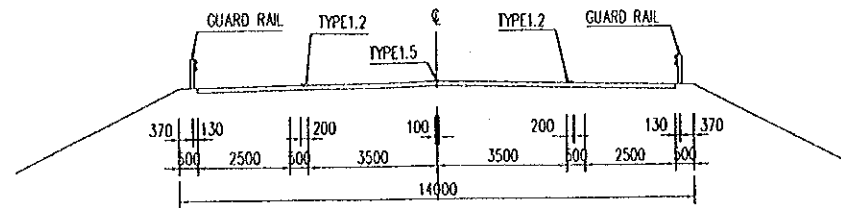
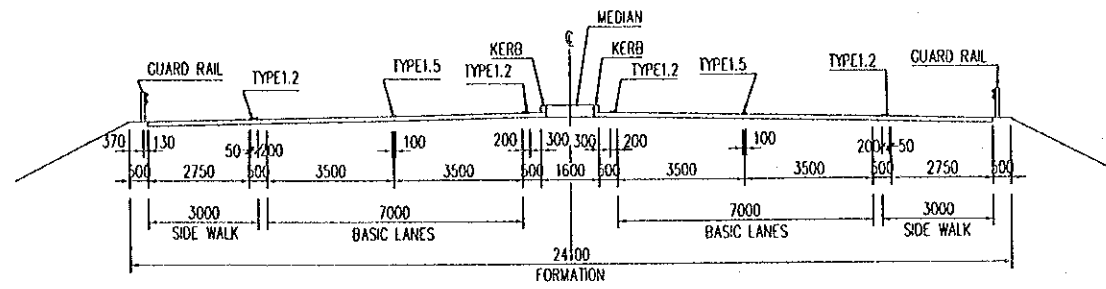


KM POST DETAIL

SCALE 1:20

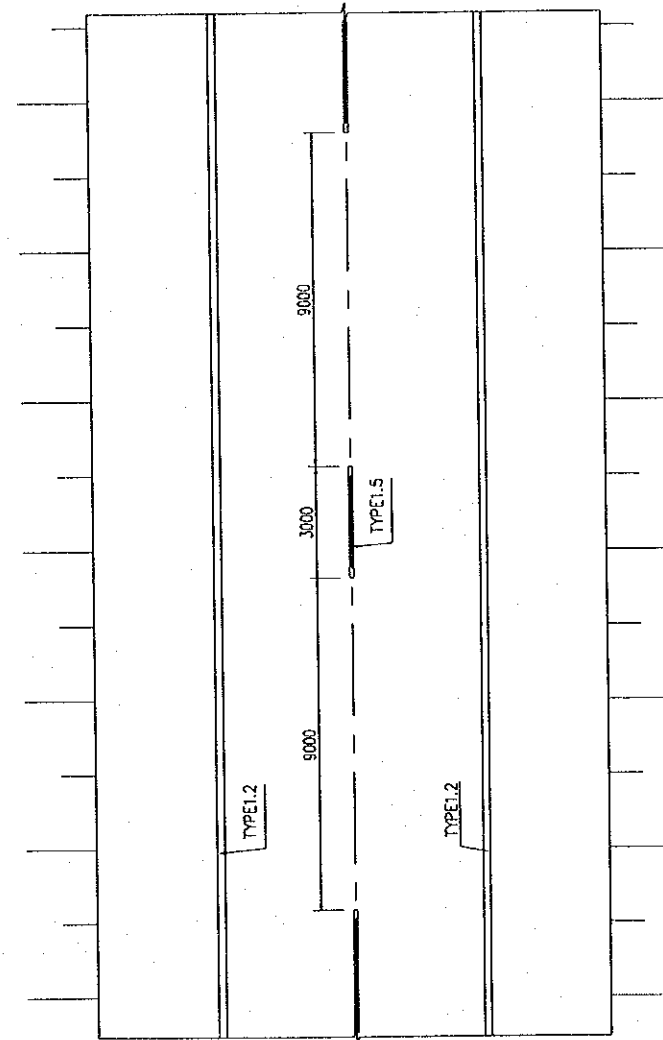


PROJECT NAME	IMPLEMENTATION AGENCY	EXECUTING AGENCY	JICA STUDY TEAM	PREPARED BY	CHECKED BY	APPROVED BY	DRAWING TITLE	DWG NO.
DETAILED DESIGN OF THE CAN THO BRIDGE CONSTRUCTION PROJECT	JICA JAPAN INTERNATIONAL COOPERATION AGENCY (JICA)	SOCIALIST REPUBLIC OF VIET NAM MINISTRY OF TRANSPORT (MOT) MY THUAN PROJECT MANAGEMENT UNIT	(NK) NIPPON KOEI CO.,LTD.	NAME K. Nemoto SIGNATURE <i>K. Nemoto</i> DATE 20/9/2000	NAME K. Nakai SIGNATURE <i>K. Nakai</i> DATE 29/9/2000	NAME K. Enomoto SIGNATURE <i>K. Enomoto</i> DATE 5/10/2000	DETAIL OF GUIDE POST AND KM POST	P1/MS/0080

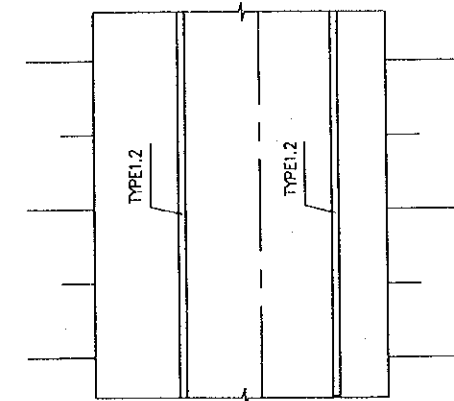
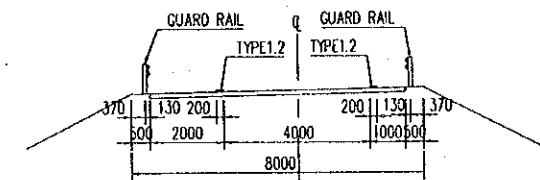


SETTING ROAD MARKERS ON MAIN ROAD

SCALE 1:200



1 DIRECTION, 2 LANES

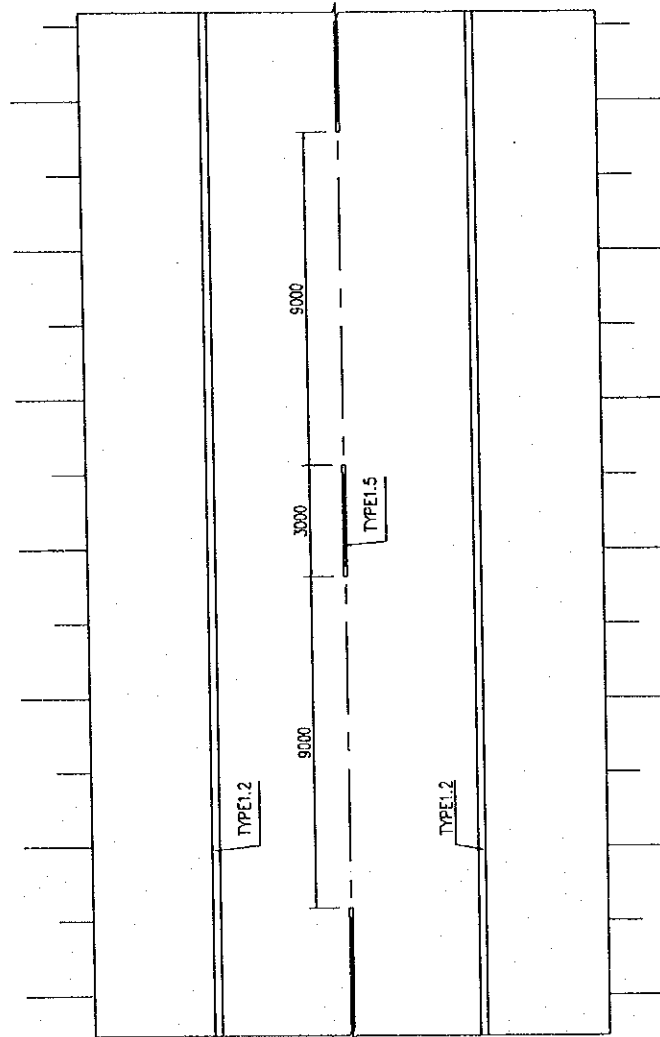
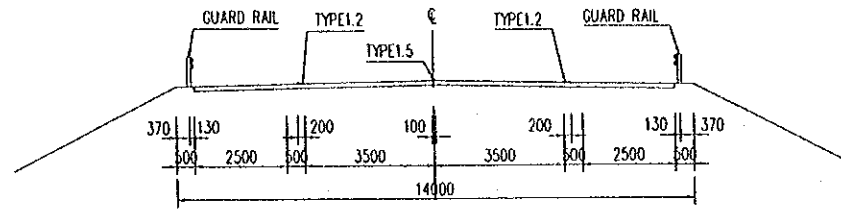


1 DIRECTION, 1 LANE

SETTING ROAD MARKERS ON RAMPWAY

SCALE 1:200

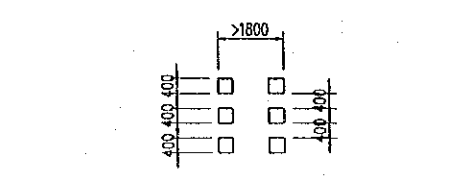
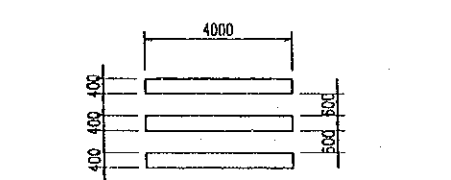
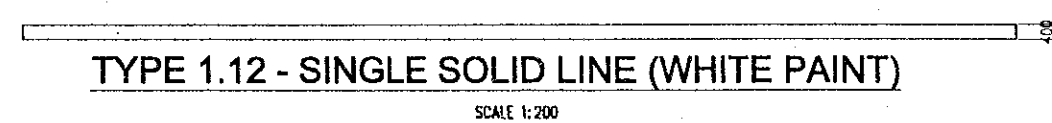
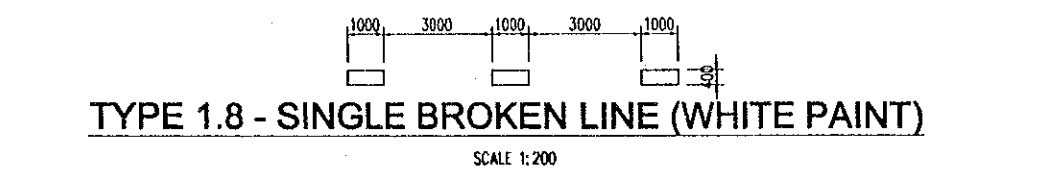
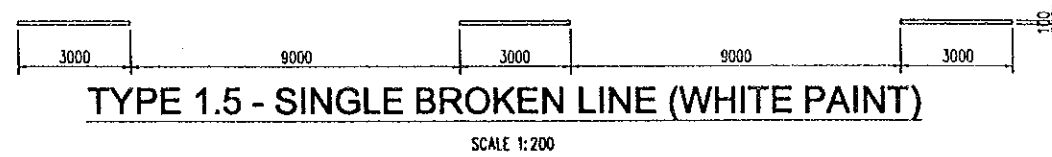
PROJECT NAME	IMPLEMENTATION AGENCY	EXECUTING AGENCY	JICA STUDY TEAM	PREPARED BY	CHECKED BY	APPROVED BY	DRAWING TITLE	DWG NO.
DETAILED DESIGN OF THE CAN THO BRIDGE CONSTRUCTION PROJECT	JICA JAPAN INTERNATIONAL COOPERATION AGENCY (JICA)	SOCIALIST REPUBLIC OF VIET NAM MINISTRY OF TRANSPORT (MOT) MY THUAN PROJECT MANAGEMENT UNIT	(NK) NIPPON KOEI CO.,LTD.	NAME: K. Nemoto SIGNATURE: <i>K. Nemoto</i> DATE: 20/9/2000	NAME: K. Nakai SIGNATURE: <i>K. Nakai</i> DATE: 29/9/2000	NAME: K. Enomoto SIGNATURE: <i>K. Enomoto</i> DATE: 5/10/2000	LAYOUT ROAD MARKINGS (1/2)	P1/MS/0090



SETTING ROAD MARKERS ON No.54 N.H INTERCHANGE

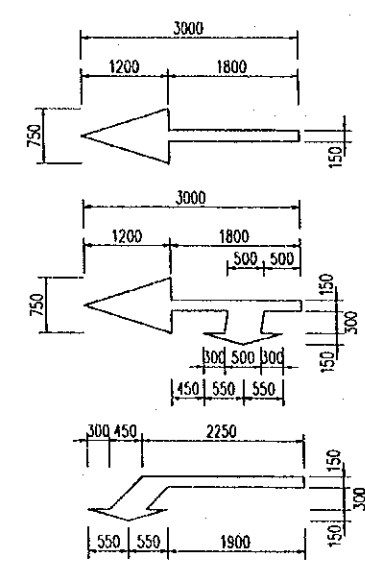
SCALE 1:200

PROJECT NAME	IMPLEMENTATION AGENCY	EXECUTING AGENCY	JICA STUDY TEAM	PREPARED BY	CHECKED BY	APPROVED BY	DRAWING TITLE	DWG NO.
DETAILED DESIGN OF THE CAN THO BRIDGE CONSTRUCTION PROJECT	JICA JAPAN INTERNATIONAL COOPERATION AGENCY (JICA)	SOCIALIST REPUBLIC OF VIET NAM MINISTRY OF TRANSPORT (MOT) MY THUAN PROJECT MANAGEMENT UNIT	(NK) NIPPON KOEI CO.,LTD.	NAME K. Nemoto SIGNATURE <i>K. Nemoto</i> DATE 20/9/2000	NAME K. Nakai SIGNATURE <i>K. Nakai</i> DATE 29/9/2000	NAME K. Enomoto SIGNATURE <i>K. Enomoto</i> DATE 5/10/2000	LAYOUT ROAD MARKINGS (2/2)	P1/MS/0100

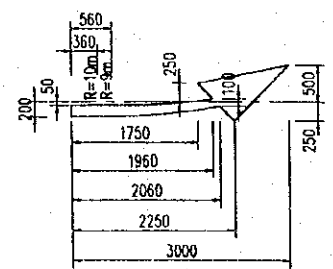


TYPE 1.14 - PEDESTRIAN CROSSING (WHITE PAINT)
SCALE 1:200

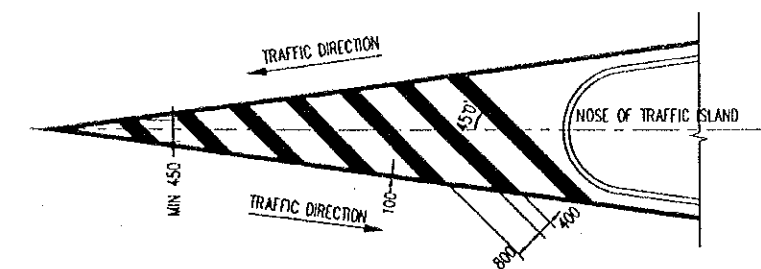
TYPE 1.15 - BICYCLE CROSSING (WHITE PAINT)
SCALE 1:200



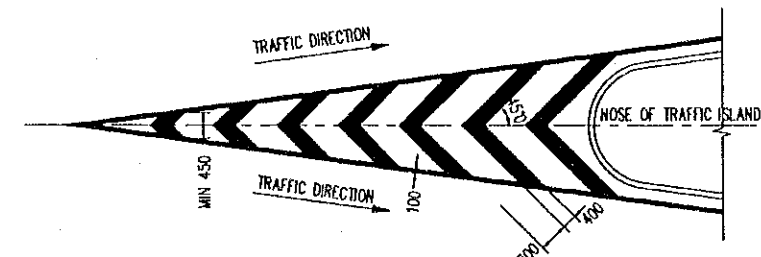
TYPE 1.18 - SPECIAL ROAD MARKING (WHITE PAINT)
SCALE 1:100



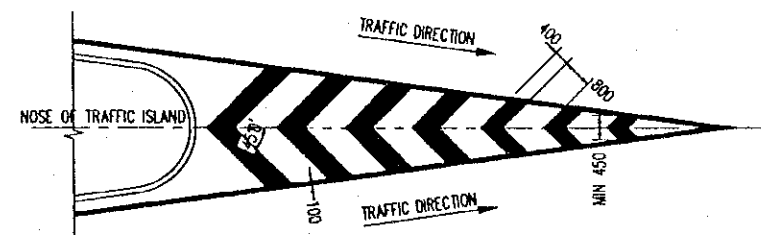
TYPE 1.19 - FOR LANE SHIFT (WHITE PAINT)
SCALE 1:100



TYPE 1.16.1- FOR TWO OPPOSITE LANES

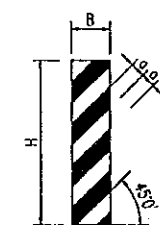


TYPE 1.16.2- FOR TWO DIVERGING LANES

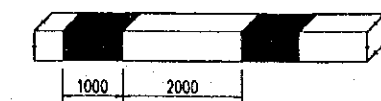


TYPE 1.16.3- FOR TWO MERGING LANES

TYPE 1.16 - CHEVRON HATCHING MARKING (WHITE PAINT)
SCALE 1:200

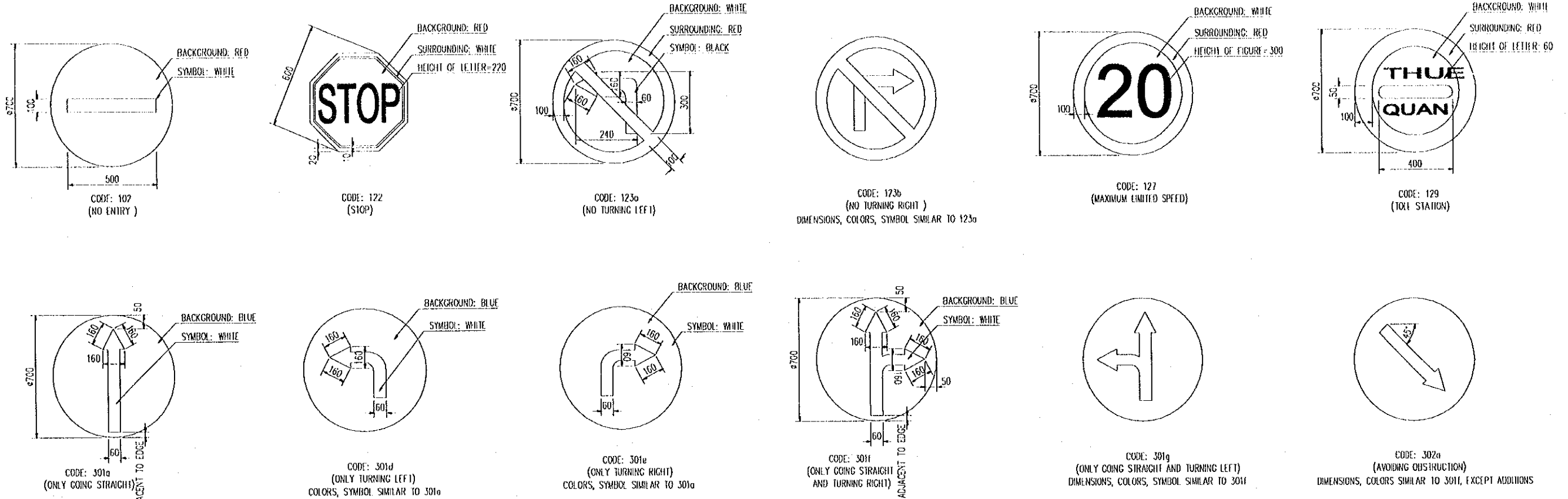


TYPE 2.1- FOR PIERS OF FLYOVER BRIDGE



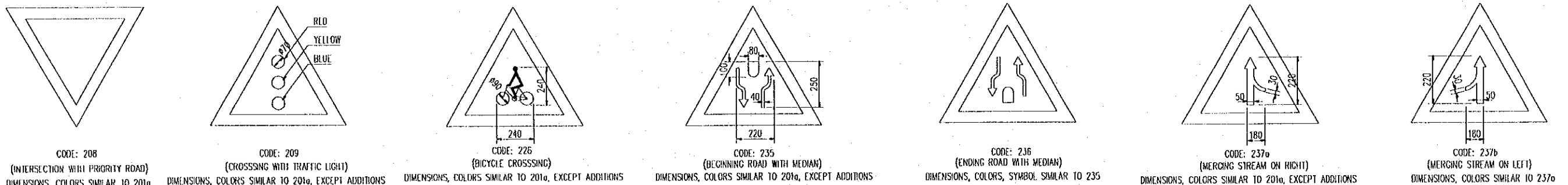
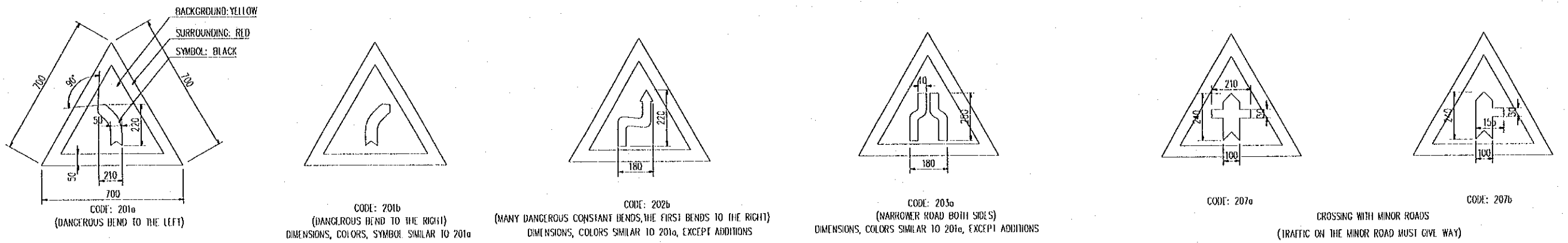
TYPE 2.7- FOR KERBS OF NOSES

PROJECT NAME	IMPLEMENTATION AGENCY	EXECUTING AGENCY	JICA STUDY TEAM	PREPARED BY	CHECKED BY	APPROVED BY	DRAWING TITLE	DWG NO.
DETAILED DESIGN OF THE CAN THO BRIDGE CONSTRUCTION PROJECT	JICA JAPAN INTERNATIONAL COOPERATION AGENCY (JICA)	SOCIALIST REPUBLIC OF VIET NAM MINISTRY OF TRANSPORT (MOT) MY THUAN PROJECT MANAGEMENT UNIT	(NK) NIPPON KOEI CO.,LTD.	K. Nemoto	K. Nakai	K. Enomoto	DETAIL OF ROAD MARKINGS	P1/MS/0110
				DATE: 20/9/2000	DATE: 29/9/2000	DATE: 5/10/2000		



REGULATORY SIGNS (TYPE 1)

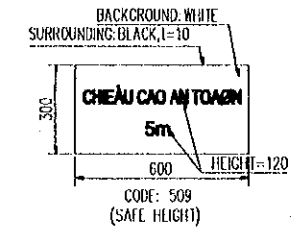
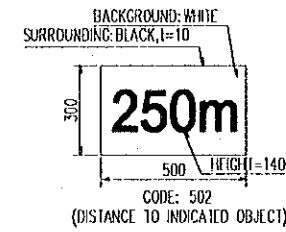
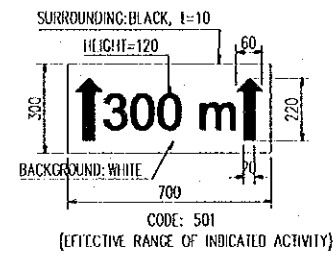
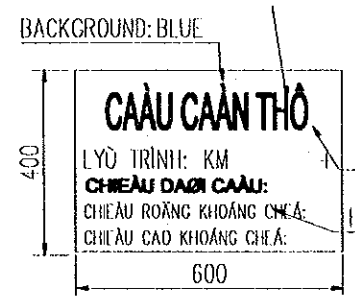
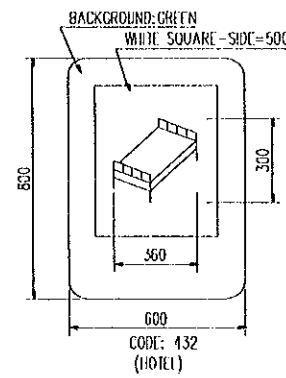
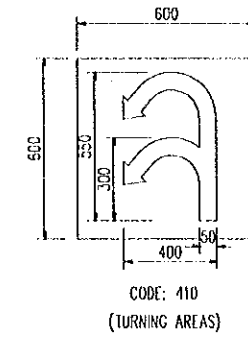
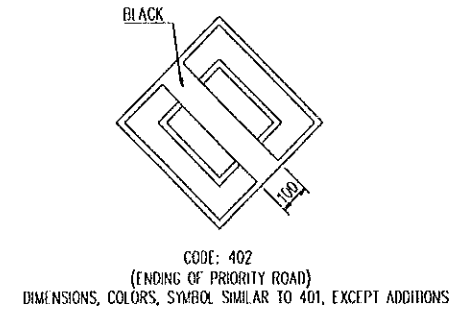
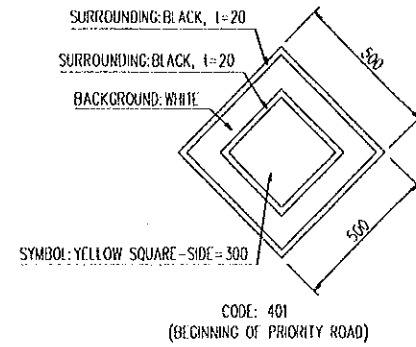
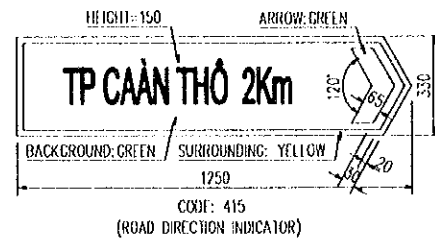
SCALE 1:25



WARNING SIGNS (TYPE 2)

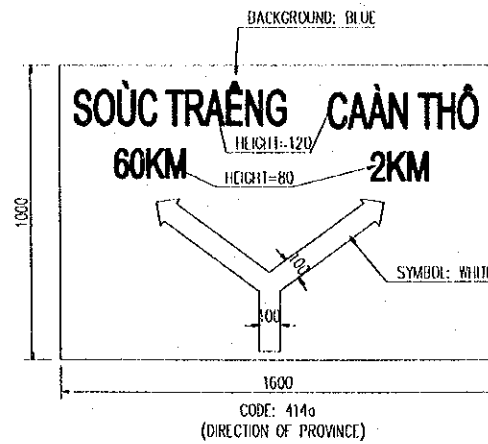
SCALE 1:25

PROJECT NAME	IMPLEMENTATION AGENCY	EXECUTING AGENCY	JICA STUDY TEAM	PREPARED BY	CHECKED BY	APPROVED BY	DRAWING TITLE	DWG NO.
DETAILED DESIGN OF THE CAN THO BRIDGE CONSTRUCTION PROJECT	JICA JAPAN INTERNATIONAL COOPERATION AGENCY (JICA)	SOCIALIST REPUBLIC OF VIET NAM MINISTRY OF TRANSPORT (MOT) MY THUAN PROJECT MANAGEMENT UNIT	(NK) NIPPON KOEI CO.,LTD.	NAME: K. Nemoto SIGNATURE: <i>K. Nemoto</i> DATE: 20/9/2000	NAME: K. Nakai SIGNATURE: <i>K. Nakai</i> DATE: 29/9/2000	NAME: K. Enomoto SIGNATURE: <i>K. Enomoto</i> DATE: 5/10/2000	DETAIL OF SIGNBOARD (1/2)	P1/MS/0120



GUIDANCE SIGNS (TYPE 3)

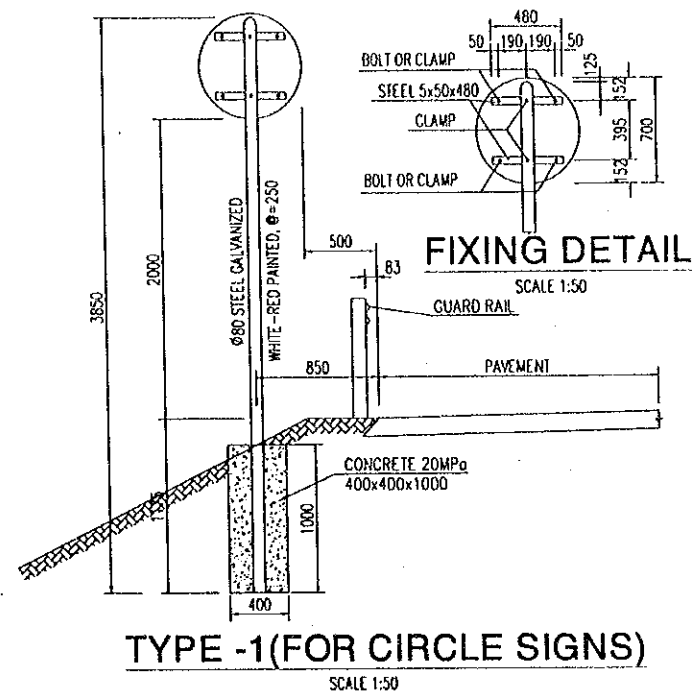
SCALE 1:25



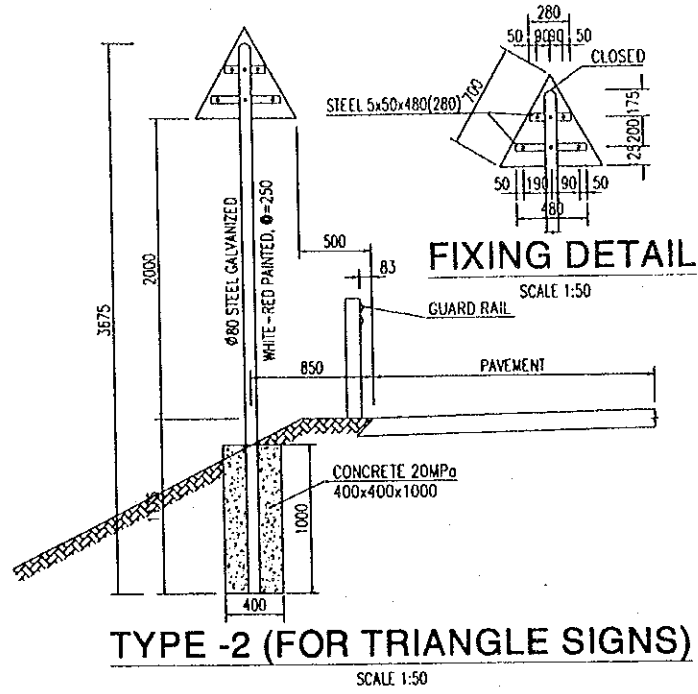
GUIDANCE SIGNS (TYPE 4)

SCALE 1:25

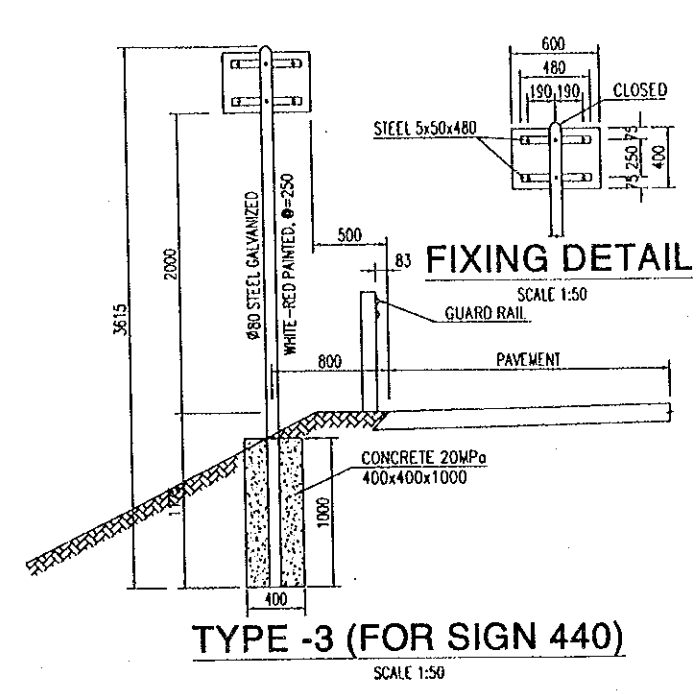
PROJECT NAME	IMPLEMENTATION AGENCY	EXECUTING AGENCY	JICA STUDY TEAM	PREPARED BY	CHECKED BY	APPROVED BY	DRAWING TITLE	DWG NO.
DETAILED DESIGN OF THE CAN THO BRIDGE CONSTRUCTION PROJECT	JICA JAPAN INTERNATIONAL COOPERATION AGENCY (JICA)	SOCIALIST REPUBLIC OF VIET NAM MINISTRY OF TRANSPORT (MOT) MY THUAN PROJECT MANAGEMENT UNIT	NIPPON KOEI CO.,LTD.	K. Nemoto	K. Nakai	K. Enomoto	DETAIL OF SIGNBOARD (2/2)	P1/MS/0130
				NAME: K. Nemoto	SIGNATURE: [Signature]	DATE: 20/9/2000		
					NAME: K. Nakai	SIGNATURE: [Signature]		
					NAME: K. Enomoto	SIGNATURE: [Signature]		



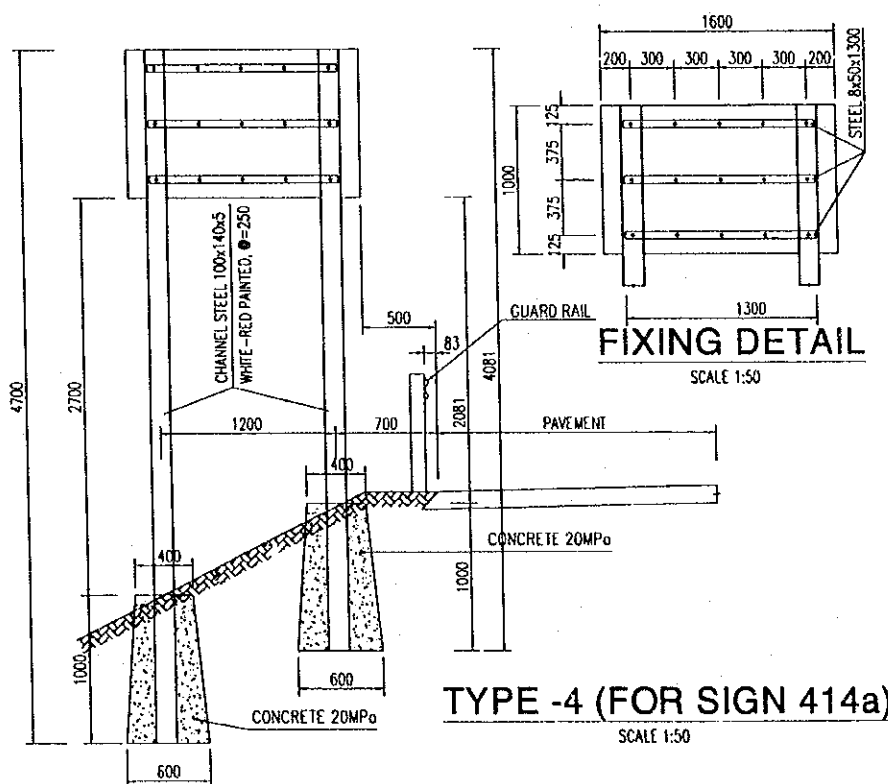
TYPE -1 (FOR CIRCLE SIGNS)
SCALE 1:50



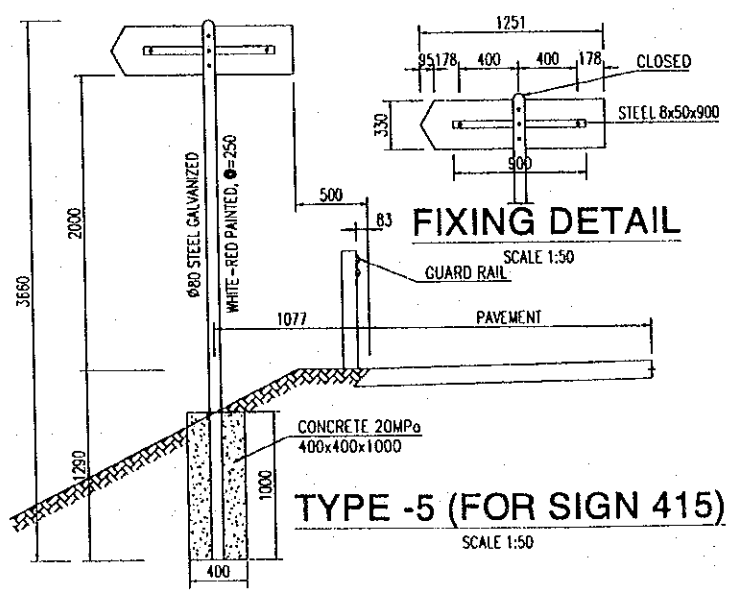
TYPE -2 (FOR TRIANGLE SIGNS)
SCALE 1:50



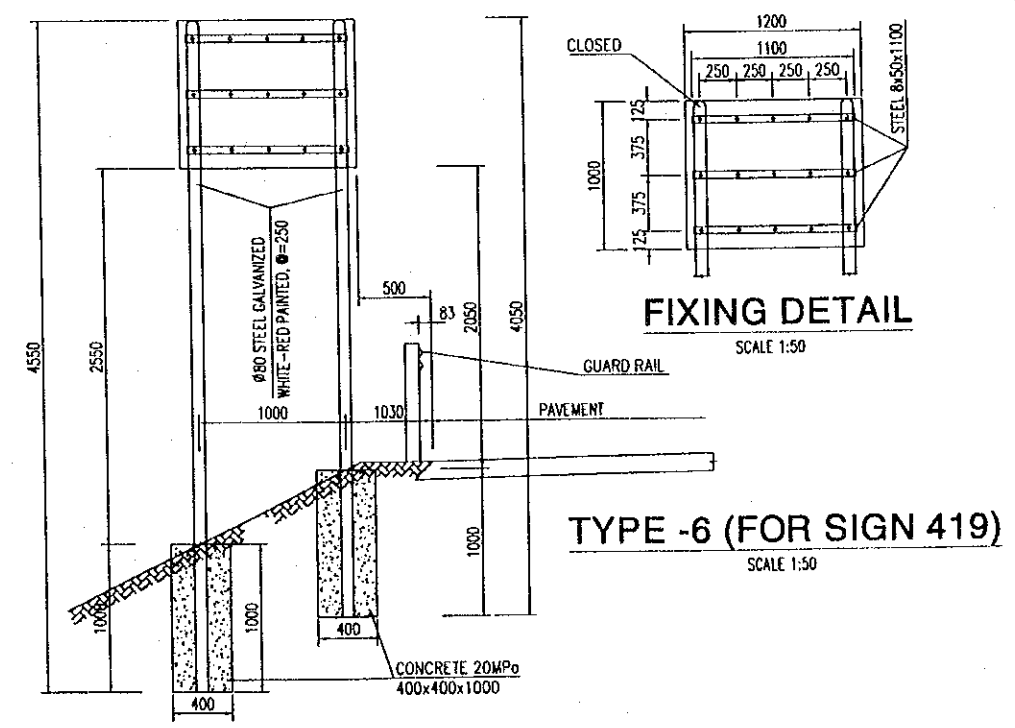
TYPE -3 (FOR SIGN 440)
SCALE 1:50



TYPE -4 (FOR SIGN 414a)
SCALE 1:50

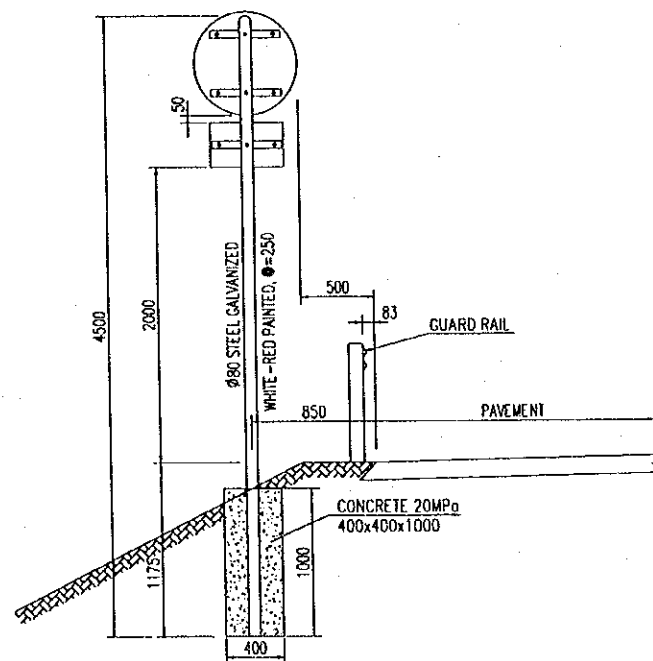


TYPE -5 (FOR SIGN 415)
SCALE 1:50

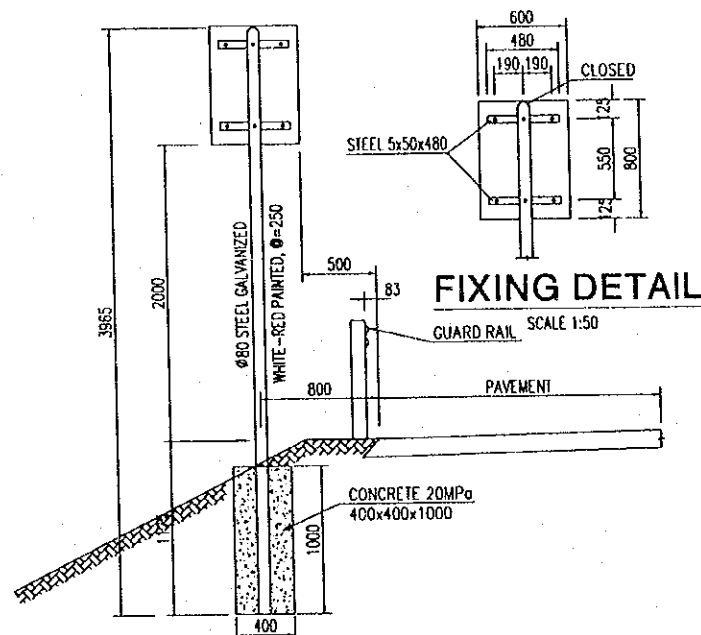


TYPE -6 (FOR SIGN 419)
SCALE 1:50

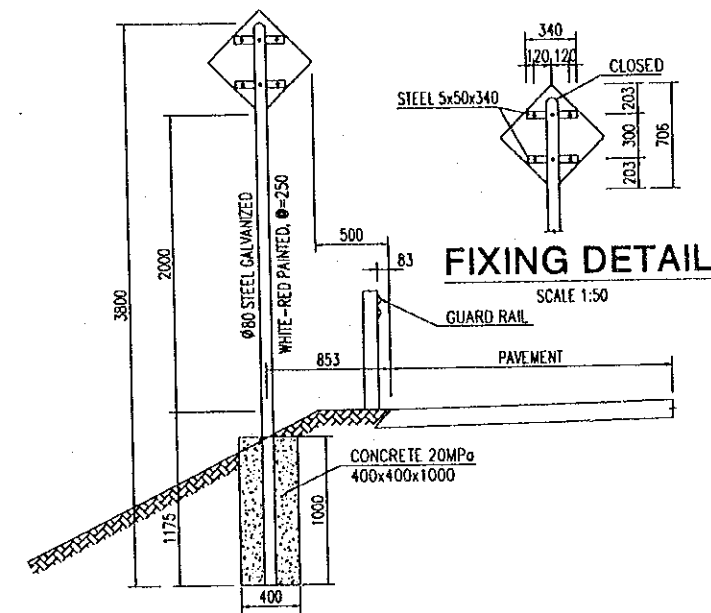
PROJECT NAME	IMPLEMENTATION AGENCY	EXECUTING AGENCY	JICA STUDY TEAM	PREPARED BY	CHECKED BY	APPROVED BY	DRAWING TITLE	DWG NO.
DETAILED DESIGN OF THE CAN THO BRIDGE CONSTRUCTION PROJECT	JICA JAPAN INTERNATIONAL COOPERATION AGENCY (JICA)	SOCIALIST REPUBLIC OF VIET NAM MINISTRY OF TRANSPORT (MOT) MY THUAN PROJECT MANAGEMENT UNIT	(NK) NIPPON KOEI CO.,LTD.	NAME K. Nemoto SIGNATURE <i>K. Nemoto</i> DATE 20/9/2000	K. Nakai <i>K. Nakai</i> 29/9/2000	K. Enomoto <i>K. Enomoto</i> 5/10/2000	DETAIL OF SIGNPOST (1/2)	P1/MS/0140



TYPE -7 (FOR MANY SIGNS ON ONE POST)
SCALE 1:50



TYPE -8 (FOR SIGN 432)
SCALE 1:50

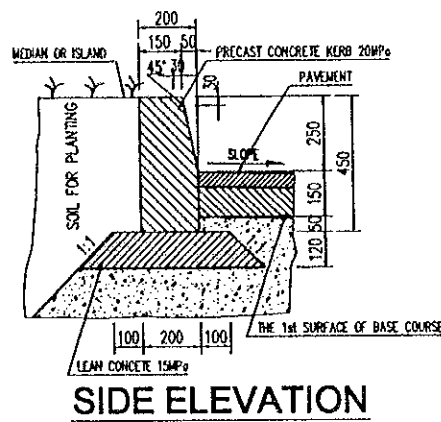


TYPE -9 (FOR SIGN 401)
SCALE 1:50

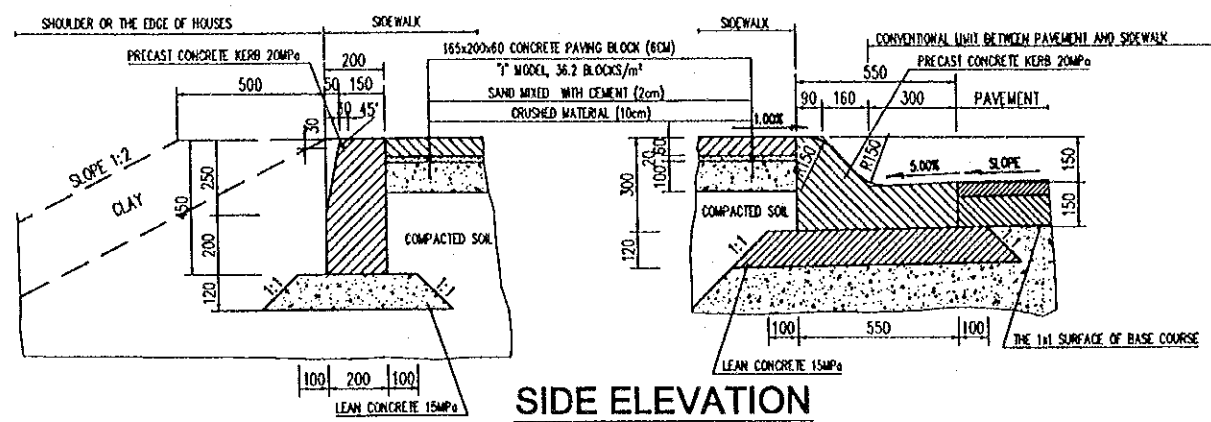
NOTES:

ALL SIGN BOARDS ARE PAINTED WITH REFLECTOR
AND MADE OF ALUMINUM.

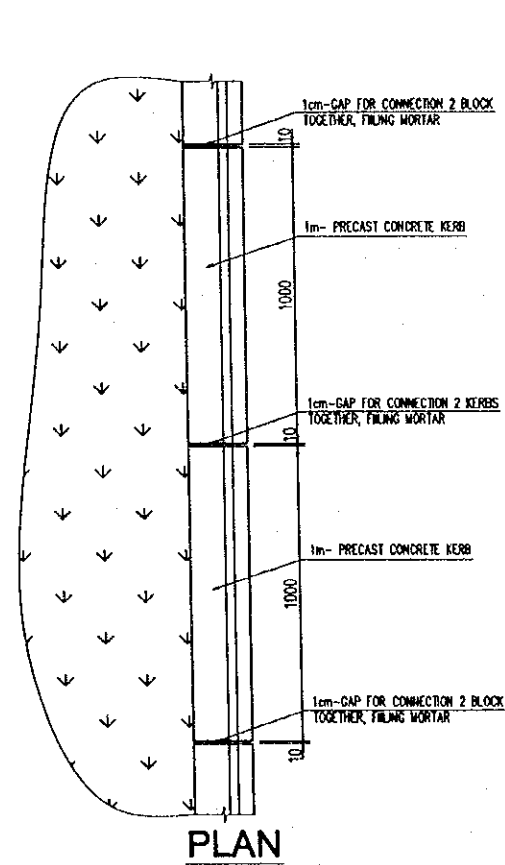
PROJECT NAME	IMPLEMENTATION AGENCY	EXECUTING AGENCY	JICA STUDY TEAM	PREPARED BY	CHECKED BY	APPROVED BY	DRAWING TITLE	DWG NO.
DETAILED DESIGN OF THE CAN THO BRIDGE CONSTRUCTION PROJECT	JAPAN INTERNATIONAL COOPERATION AGENCY (JICA)	SOCIALIST REPUBLIC OF VIET NAM MINISTRY OF TRANSPORT (MOT) MY THUAN PROJECT MANAGEMENT UNIT	NIPPON KOEI CO.,LTD.	NAME K. Nemoto SIGNATURE <i>K. Nemoto</i> DATE 20/9/2000	NAME K. Nakai SIGNATURE <i>K. Nakai</i> DATE 29/9/2000	NAME K. Enomoto SIGNATURE <i>K. Enomoto</i> DATE 5/10/2000	DETAIL OF SIGNPOST (2/2)	P1/MS/0150



SIDE ELEVATION



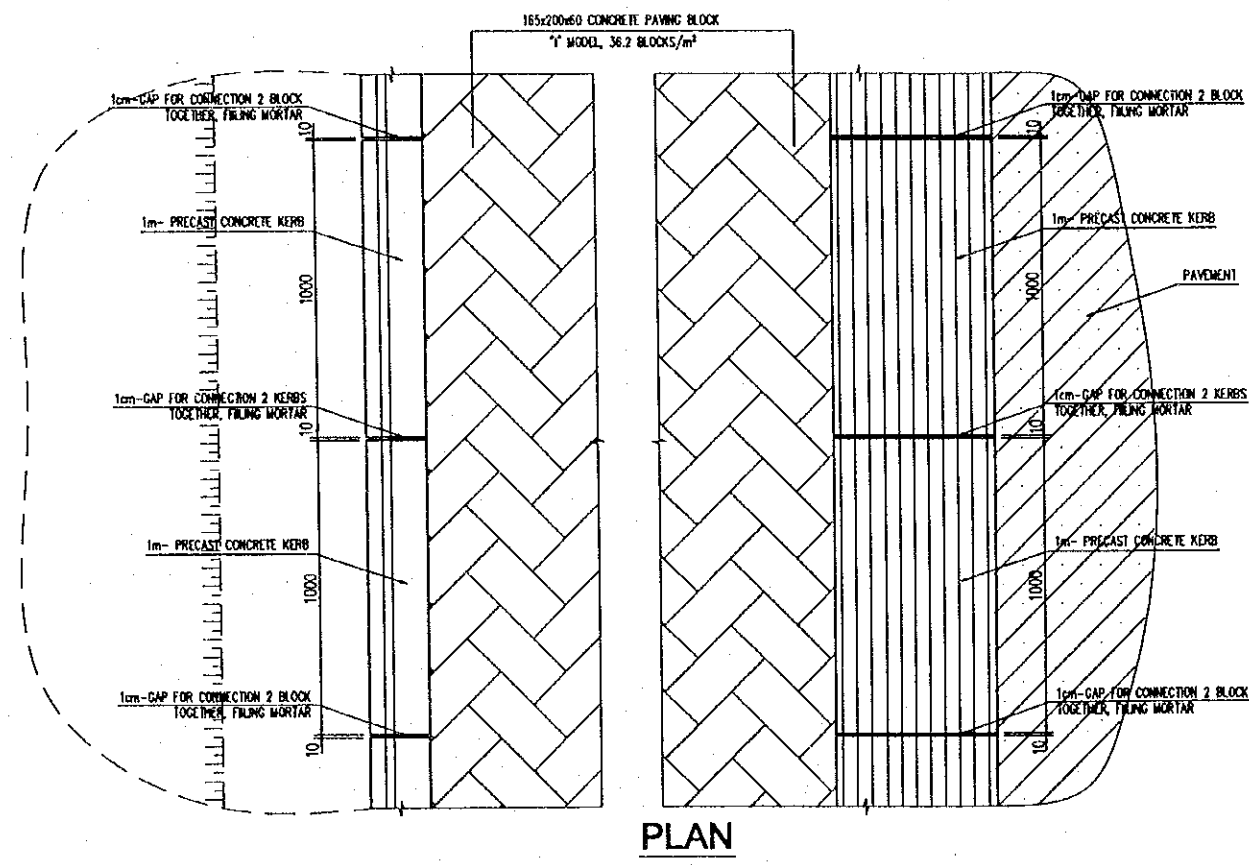
SIDE ELEVATION



PLAN

DETAIL OF KERB (TYPE "A")



SCALE 1:25

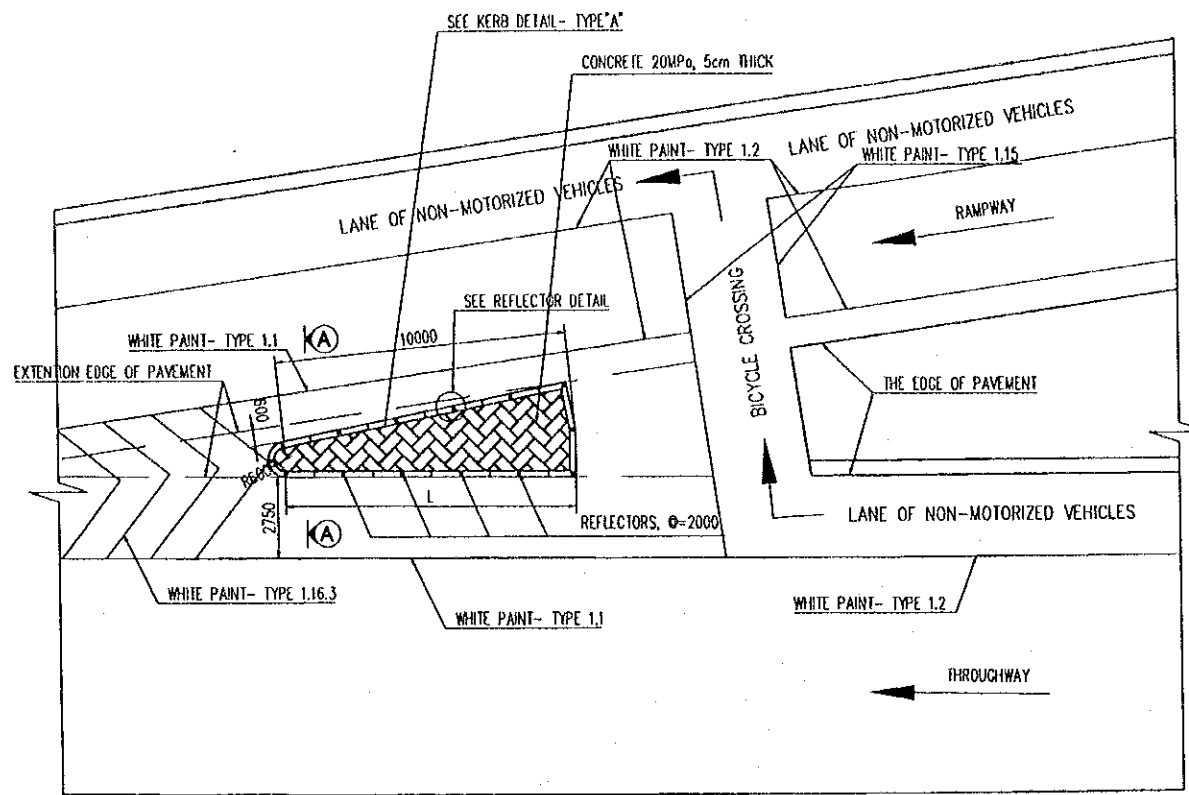


PLAN

DETAIL OF KERB (TYPE "B") AND SIDEWALK

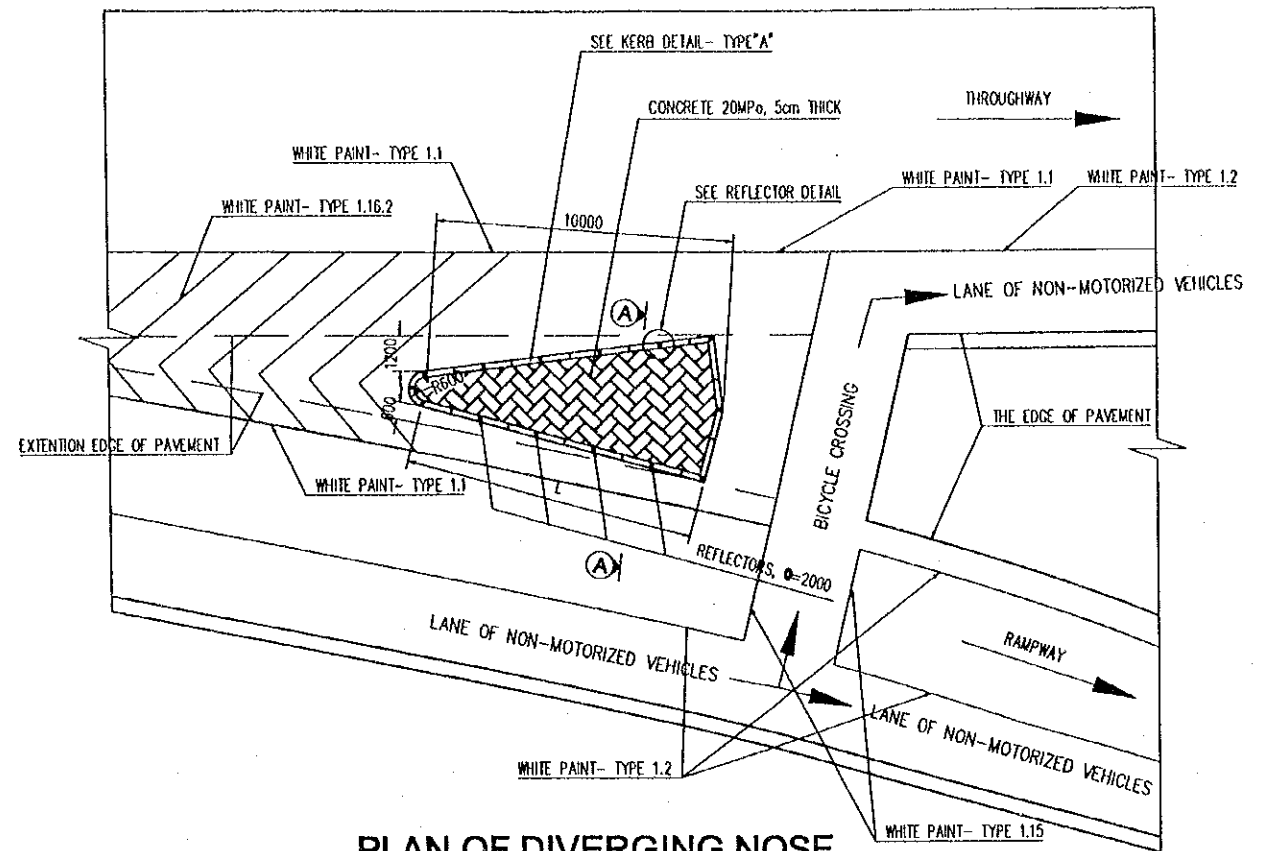
SCALE 1:25

PROJECT NAME	IMPLEMENTATION AGENCY	EXECUTING AGENCY	JICA STUDY TEAM	PREPARED BY	CHECKED BY	APPROVED BY	DRAWING TITLE	DWG NO.	
DETAILED DESIGN OF THE CAN THO BRIDGE CONSTRUCTION PROJECT	 JAPAN INTERNATIONAL COOPERATION AGENCY (JICA)	SOCIALIST REPUBLIC OF VIET NAM MINISTRY OF TRANSPORT (MOT) MY THUAN PROJECT MANAGEMENT UNIT	 NIPPON KOEI CO.,LTD.	NAME	K. Nemoto	K. Nakai	K. Enomoto	DETAILS OF CONCRETE KERB AND SIDE WALK	P1/MS/0160
				SIGNATURE	<i>K. Nemoto</i>	<i>K. Nakai</i>			
				DATE	20/9/2000	24/9/2000			



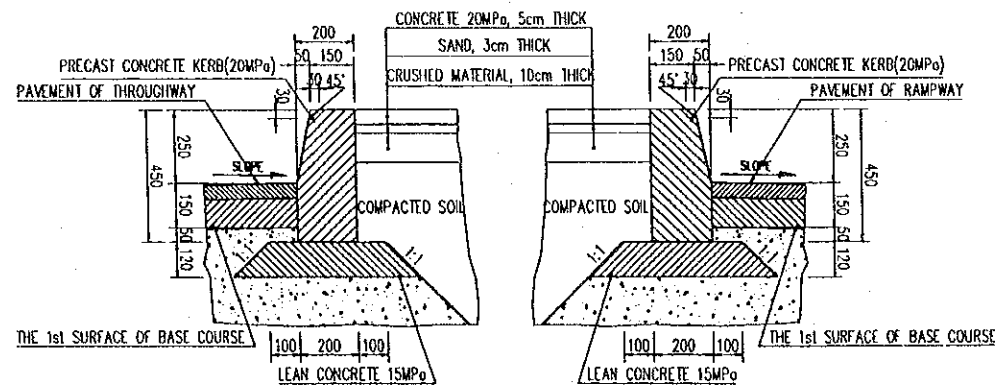
PLAN OF MERGING NOSE

SCALE 1:250



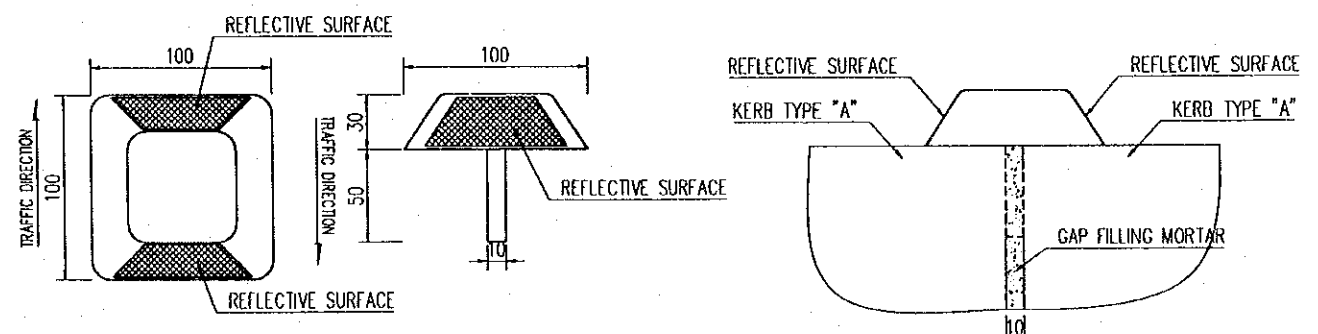
PLAN OF DIVERGING NOSE

SCALE 1:250



A-A (KERB - TYPE "A")

SCALE 1:25



PLAN

SIDE ELEVATION

**SIDE ELEVATION OF
INSTALLING REFLECTORS**

REFLECTOR DETAIL

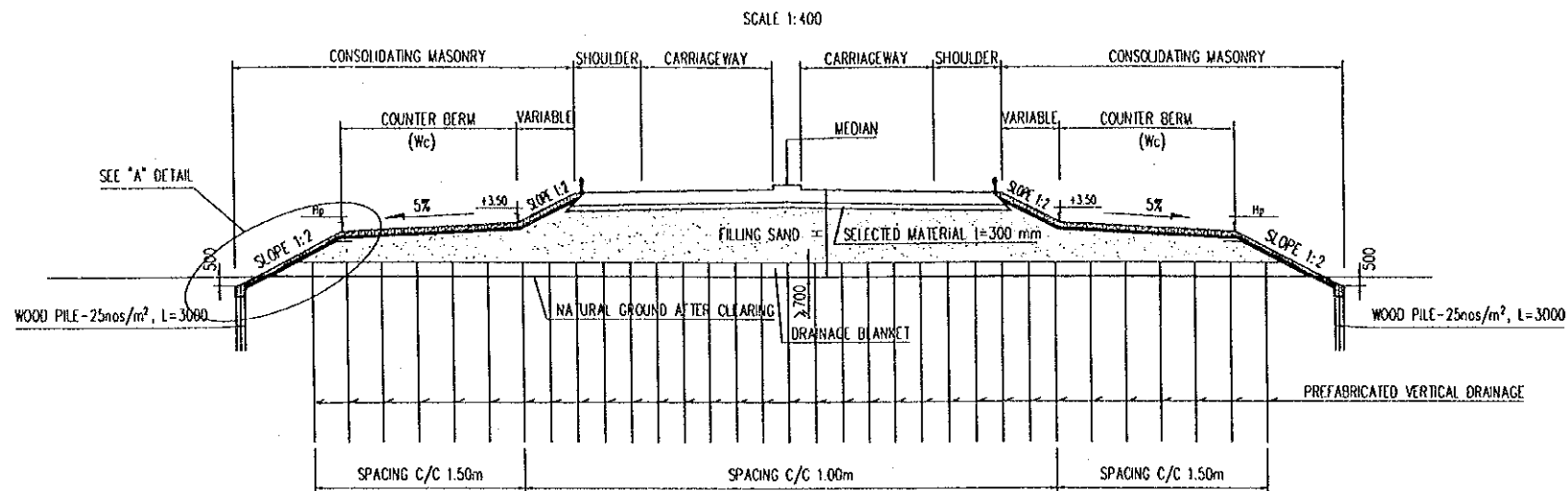
SCALE 1:4

NOTES:

- PAINING WHITE PAINT TYPE 2.7 ALONG THE KERB OF NOSE
- SET REFLECTOR INTO THE GAP BETWEEN TWO KERBS, THEN FILLING MORTAR

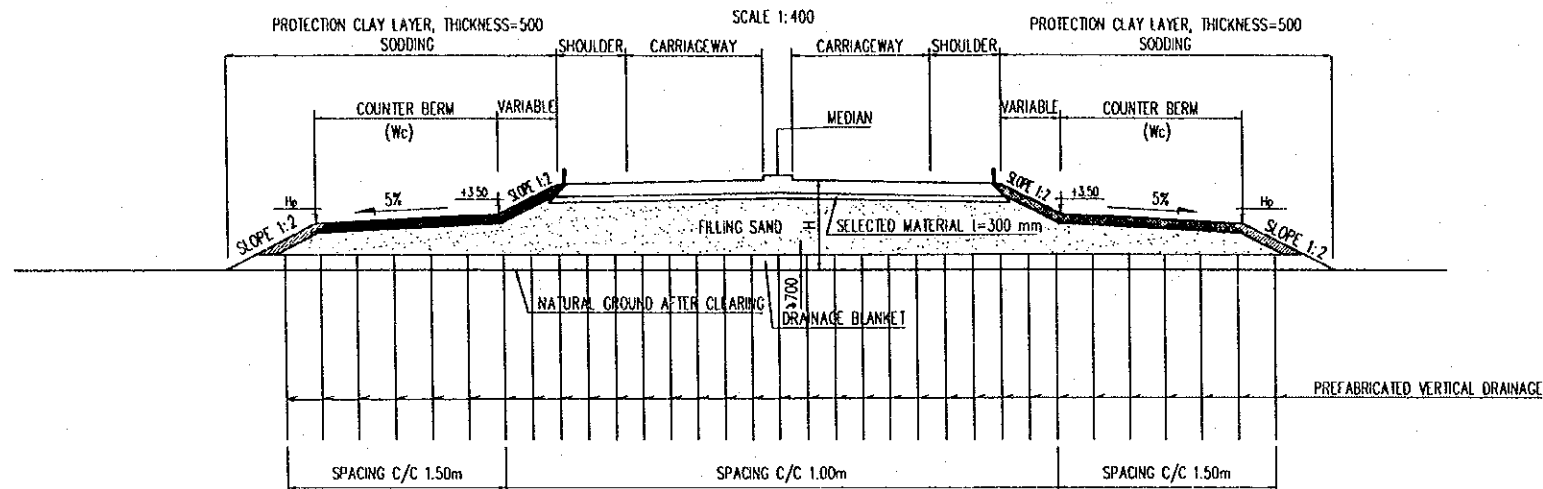
PROJECT NAME	IMPLEMENTATION AGENCY	EXECUTING AGENCY	JICA STUDY TEAM	PREPARED BY	CHECKED BY	APPROVED BY	DRAWING TITLE	DWG NO.
DETAILED DESIGN OF THE CAN THO BRIDGE CONSTRUCTION PROJECT	JICA JAPAN INTERNATIONAL COOPERATION AGENCY (JICA)	SOCIALIST REPUBLIC OF VIET NAM MINISTRY OF TRANSPORT (MOT) MY THUAN PROJECT MANAGEMENT UNIT	(NK) NIPPON KOBİ CO.,LTD.	NAME: K. Nemoto SIGNATURE: <i>K. Nemoto</i> DATE: 20/9/2000	NAME: K. Nakai SIGNATURE: <i>K. Nakai</i> DATE: 22/9/2000	NAME: K. Enomoto SIGNATURE: <i>K. Enomoto</i> DATE: 5/10/2000	DETAIL OF NOSE AT RAMPWAY TERMINALS	P1/MS/0170

TYPE 1: CROSS-SECTION INSIDE 25m-DISTANT FROM ABUTMENT

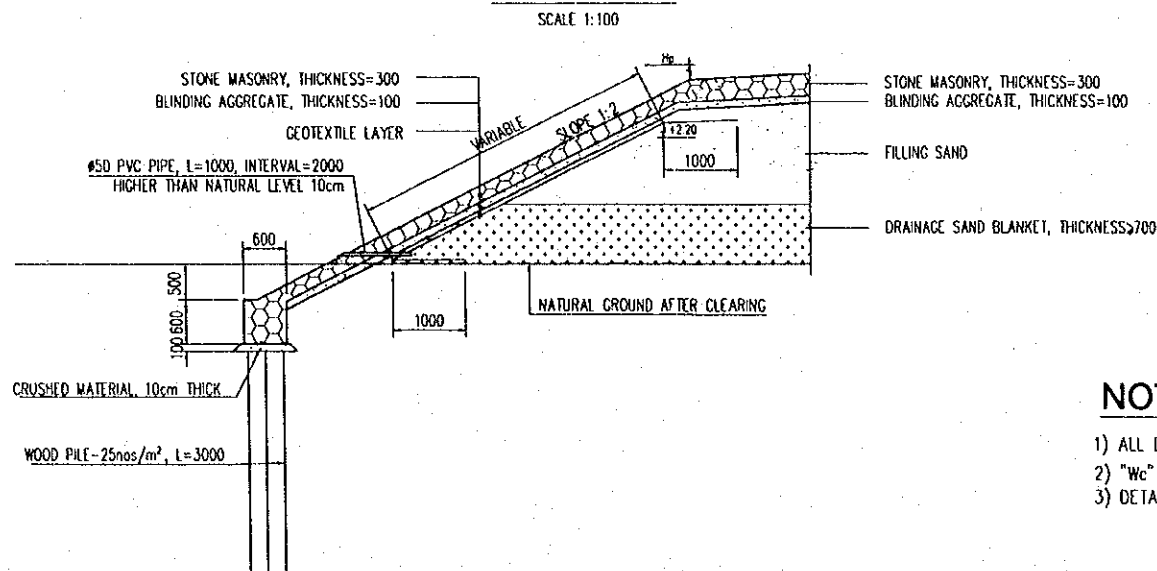


H	5m < H < 6m	H > 6m
Wc	10m	12m
Hp	+ 3.00	+ 2.90

TYPE 2: CROSS-SECTION OUTSIDE 25m-DISTANT FROM ABUTMENT



"A" DETAIL



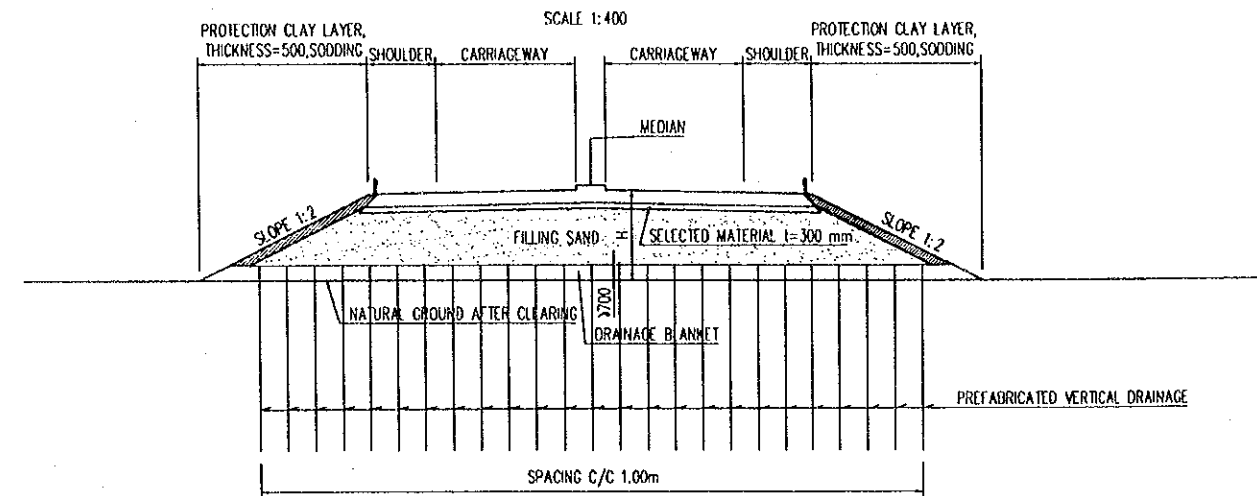
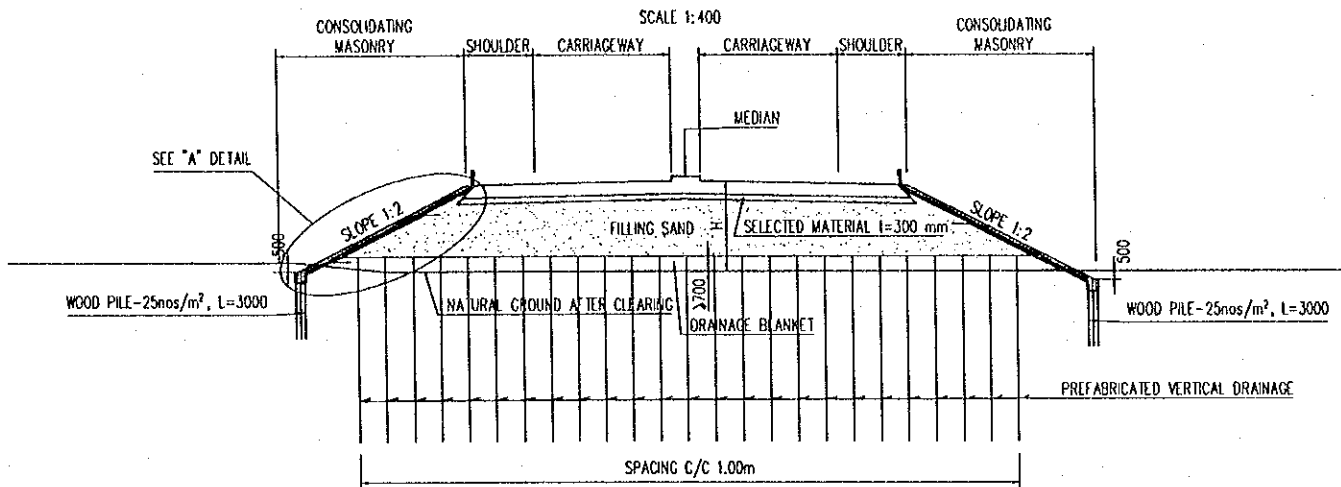
NOTES:

- 1) ALL DIMENSIONS ARE IN MILLIMETER, UNLESS OTHERWISE INDICATED.
- 2) "Wc" AND "Hp" ARE THE WIDTH AND THE ELEVATION OF COUNTER BERM
- 3) DETAILS OF SLOPE PROTECTION SEE BRIDGE DRAWINGS.

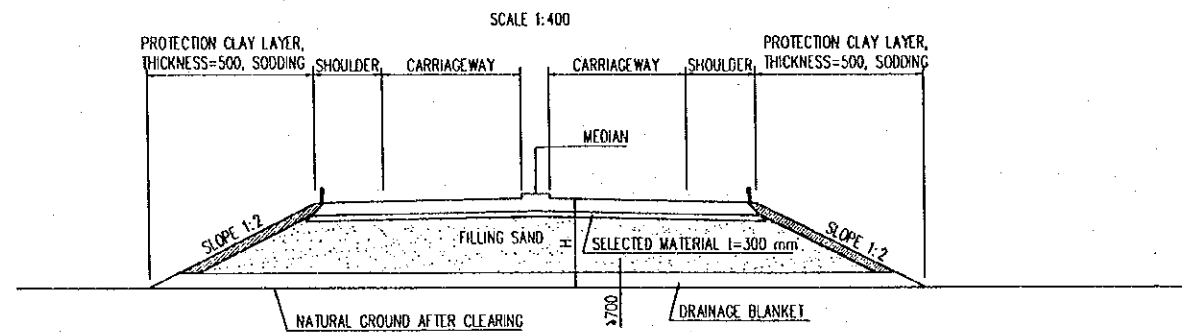
PROJECT NAME	IMPLEMENTATION AGENCY	EXECUTING AGENCY	JICA STUDY TEAM	PREPARED BY	CHECKED BY	APPROVED BY	DRAWING TITLE	DWG NO.
DETAILED DESIGN OF THE CAN THO BRIDGE CONSTRUCTION PROJECT	JICA JAPAN INTERNATIONAL COOPERATION AGENCY (JICA)	SOCIALIST REPUBLIC OF VIET NAM MINISTRY OF TRANSPORT (MOT) MY THUAN PROJECT MANAGEMENT UNIT	(NK) NIPPON KOEI CO.,LTD.	NAME: K. Nemoto SIGNATURE: <i>K. Nemoto</i> DATE: 20/9/2000	NAME: K. Nakai SIGNATURE: <i>K. Nakai</i> DATE: 29/9/2000	NAME: K. Enomoto SIGNATURE: <i>K. Enomoto</i> DATE: 5/10/2000	SLOPE PROTECTION (1/2)	PI/MS/0180

TYPE 3: CROSS-SECTION INSIDE 25m-DISTANT FROM ABUTMENT
($3m \leq H < 5m$)

TYPE 4: CROSS-SECTION OUTSIDE 25m-DISTANT FROM ABUTMENT
($3m \leq H < 5m$)



TYPE 5: CROSS-SECTION OUTSIDE 25m-DISTANT FROM ABUTMENT
($H < 3m$)



NOTES:

1) ALL DIMENSIONS ARE IN MILLIMETER, UNLESS OTHERWISE INDICATED.

PROJECT NAME	IMPLEMENTATION AGENCY	EXECUTING AGENCY	JICA STUDY TEAM	PREPARED BY	CHECKED BY	APPROVED BY	DRAWING TITLE	DWG NO.
DETAILED DESIGN OF THE CAN THO BRIDGE CONSTRUCTION PROJECT	JAPAN INTERNATIONAL COOPERATION AGENCY (JICA)	SOCIALIST REPUBLIC OF VIET NAM MINISTRY OF TRANSPORT (MOT) MY THUAN PROJECT MANAGEMENT UNIT	NIPPON KOEI CO.,LTD.	NAME	K. Nemoto	K. Nakai	SLOPE PROTECTION (2/2)	P1/MS/0190
				SIGNATURE	<i>K. Nemoto</i>	<i>K. Nakai</i>		
				DATE	20/9/2000	24/9/2000		
					K. Enomoto	5/10/2000		

PLAN LAYOUT FOR DRAINAGE AT INTERCHANGE 1

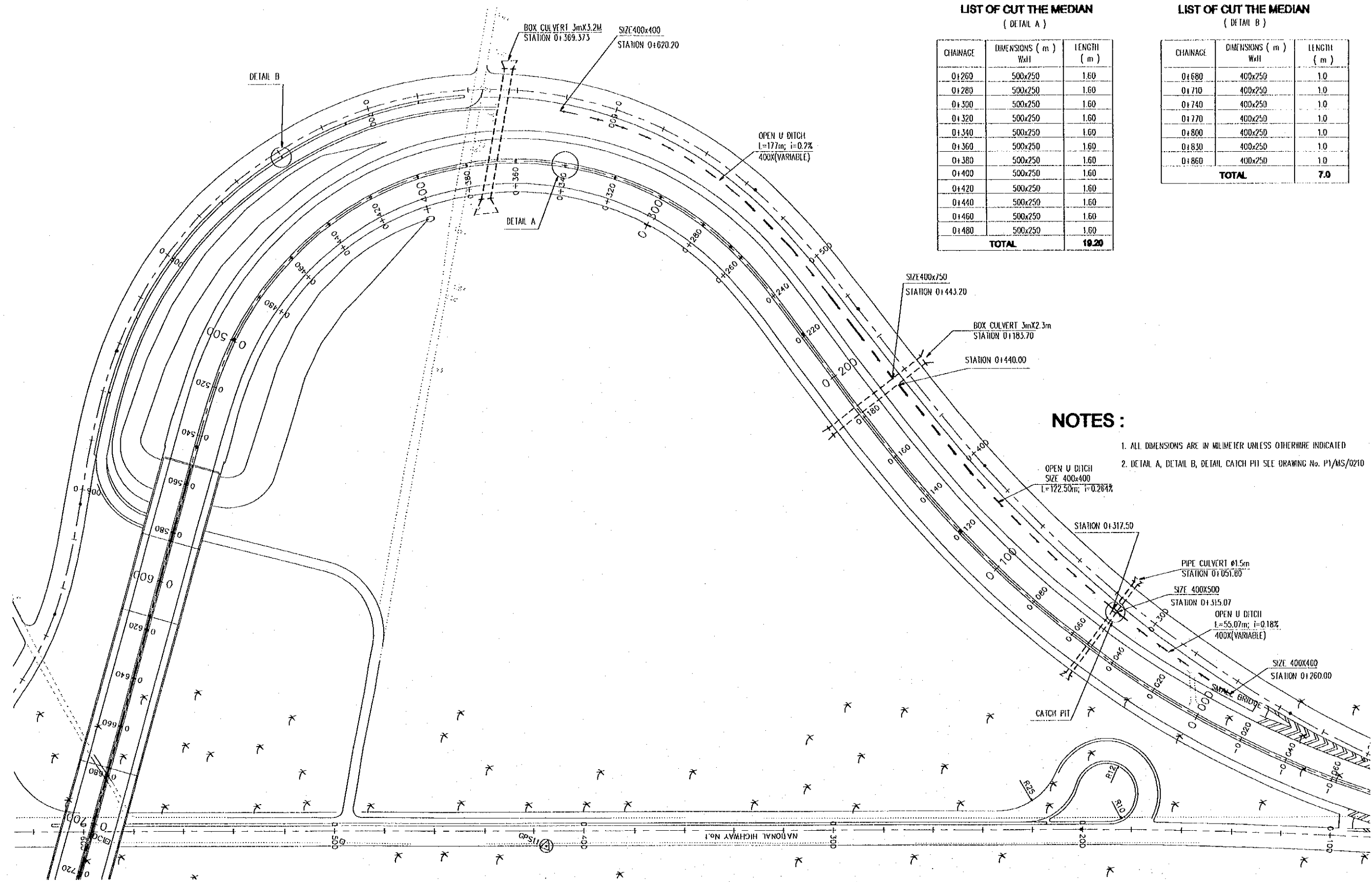
SCALE 1:1500

LIST OF CUT THE MEDIAN (DETAIL A)

CHAINAGE	DIMENSIONS (m) Wall	LENGTH (m)
0+260	500x250	1.60
0+280	500x250	1.60
0+300	500x250	1.60
0+320	500x250	1.60
0+340	500x250	1.60
0+360	500x250	1.60
0+380	500x250	1.60
0+400	500x250	1.60
0+420	500x250	1.60
0+440	500x250	1.60
0+460	500x250	1.60
0+480	500x250	1.60
TOTAL		19.20

LIST OF CUT THE MEDIAN (DETAIL B)

CHAINAGE	DIMENSIONS (m) Wall	LENGTH (m)
0+680	400x250	1.0
0+710	400x250	1.0
0+740	400x250	1.0
0+770	400x250	1.0
0+800	400x250	1.0
0+830	400x250	1.0
0+860	400x250	1.0
TOTAL		7.0



NOTES:

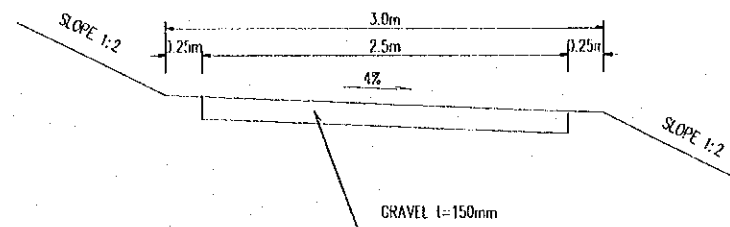
1. ALL DIMENSIONS ARE IN MILLIMETER UNLESS OTHERWISE INDICATED
2. DETAIL A, DETAIL B, DETAIL CATCH PIT SEE DRAWING No. P1/MS/0210

PROJECT NAME DETAILED DESIGN OF THE CAN THO BRIDGE CONSTRUCTION PROJECT	IMPLEMENTATION AGENCY JICA JAPAN INTERNATIONAL COOPERATION AGENCY (JICA)	EXECUTING AGENCY SOCIALIST REPUBLIC OF VIET NAM MINISTRY OF TRANSPORT (MOT) MY THUAN PROJECT MANAGEMENT UNIT	JICA STUDY TEAM NIPPON KOEI CO., LTD.	PREPARED BY NAME: K. Nemoto SIGNATURE: <i>K. Nemoto</i> DATE: 20/9/2000	CHECKED BY NAME: K. Nakai SIGNATURE: <i>K. Nakai</i> DATE: 29/9/2000	APPROVED BY NAME: K. Enomoto SIGNATURE: <i>K. Enomoto</i> DATE: 5/10/2000	DRAWING TITLE PLAN LAYOUT FOR DRAINAGE AT INTERCHANGE 1	DWG NO. P1/MS/0200
---	--	--	---	---	--	---	---	------------------------------

SCHEDULE OF SERVICE ROAD

No	CHAINAGE		LOCATION	LENGTH (m)	WIDTH (m)	GROUND ELEVATION (m)	DESIGN ELEVATION (m)	
	FROM	TO					FROM	TO
1	0+377.00	0+668.00	LEFT+RIGHT	430.00	2.50 / 3.00	1.00	1.74	1.74
2	0+849.00	0+981.79	LEFT+RIGHT	330.00	2.50 / 3.00	0.43	1.74	1.74
3	0+981.79	1+040.00	LEFT+RIGHT	125.00	2.50 / 3.00	0.52	1.74	5.65
4	1+040.00	1+129.00	LEFT	88.00	2.50 / 3.00	0.58	1.74	1.74
5	1+175.00	1+818.27	LEFT+RIGHT	139.00	2.50 / 3.00	0.82	1.74	3.95
6	1+818.27	1+887.00	LEFT+RIGHT	191.00	2.50 / 3.00	0.76	1.74	1.74
7	1+936.00	2+001.67	LEFT+RIGHT	187.00	2.50 / 3.00	0.93	4.98	1.74
8	2+001.67	2+065.00	LEFT+RIGHT	136.00	2.50 / 3.00	0.87	1.74	3.72
9	3+472.00	3+516.90	LEFT+RIGHT	82.00	2.50 / 3.00	0.93	1.74	4.47
10	3+516.90	3+678.00	LEFT+RIGHT	338.00	2.50 / 3.00	0.87	1.74	1.74
11	3+761.00	3+902.00	LEFT+RIGHT	285.00	2.50 / 3.00	1.22	1.74	1.74
12	3+902.00	3+958.00	LEFT+RIGHT	120.00	2.50 / 3.00	1.22	1.74	4.25
TOTAL				2451.00				

TYPICAL CROSS SECTION



PROJECT NAME	IMPLEMENTATION AGENCY	EXECUTING AGENCY	JICA STUDY TEAM	PREPARED BY	CHECKED BY	APPROVED BY	DRAWING TITLE	DWG NO.
DETAILED DESIGN OF THE CAN THO BRIDGE CONSTRUCTION PROJECT	JAPAN INTERNATIONAL COOPERATION AGENCY (JICA)	SOCIALIST REPUBLIC OF VIET NAM MINISTRY OF TRANSPORT (MOT) MY THUAN PROJECT MANAGEMENT UNIT	NIPPON KORI CO.,LTD.	NAME: K. Nemoto SIGNATURE: <i>K. Nemoto</i> DATE: 20/9/2000	NAME: K. Nakai SIGNATURE: <i>K. Nakai</i> DATE: 29/9/2000	NAME: K. Enomoto SIGNATURE: <i>K. Enomoto</i> DATE: 5/10/2000	APPROACH ROAD OF CAN THO BRIDGE SCHEDULE OF SERVICE ROAD	F1/MS/0220

JICA

