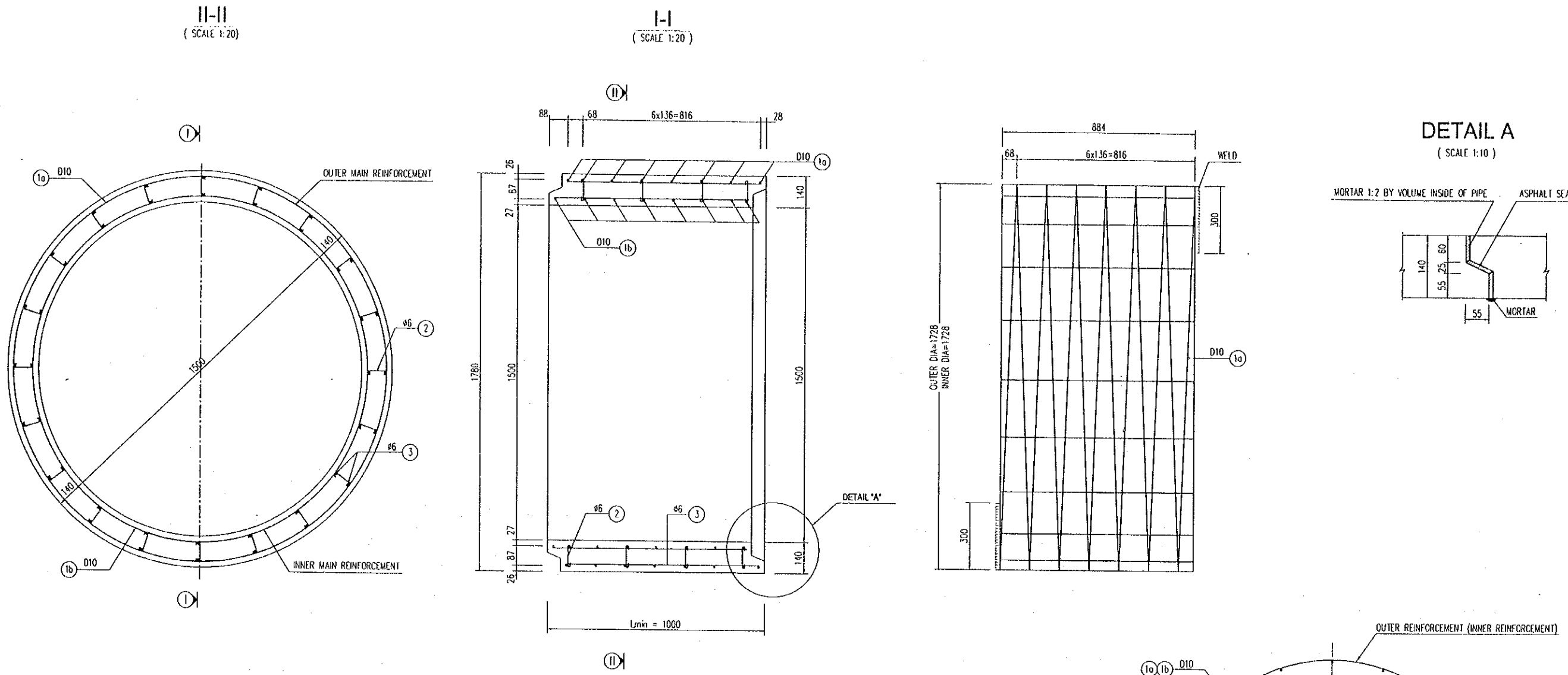
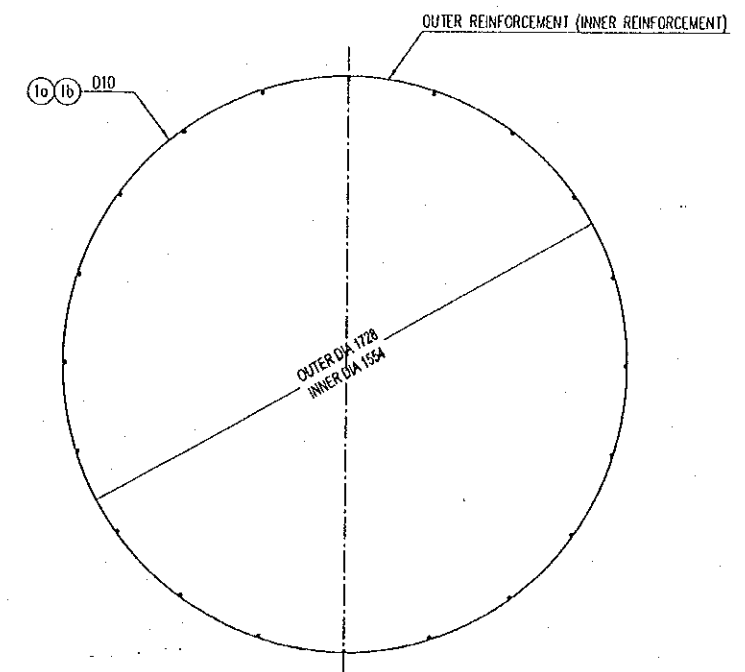
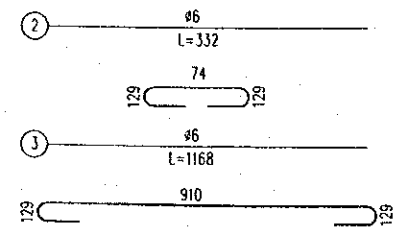


# REINFORCEMENT DETAILS OF PIPE CULVERT (R.C.P.C) 1.50m DIAMETER



QUANTITY TABLE OF 1 SEGMENT

SYMBOL OF BAR	UNIT LENGTH (MM)	DIAMETER (MM)	NUMBER OF BAR	UNIT WEIGHT (KG/M)	TOTAL LENGTH (M)	TOTAL WEIGHT (KG)
1a	46800	10	1	0.617	46.80	28.85
1b	42100	10	1	0.617	42.10	25.96
2	332	6	80	0.222	26.56	5.90
3	1168	6	40	0.222	46.72	10.37
TOTAL	CONCRETE : 0.68 M3		REINFORCEMENT :			71.10 KG



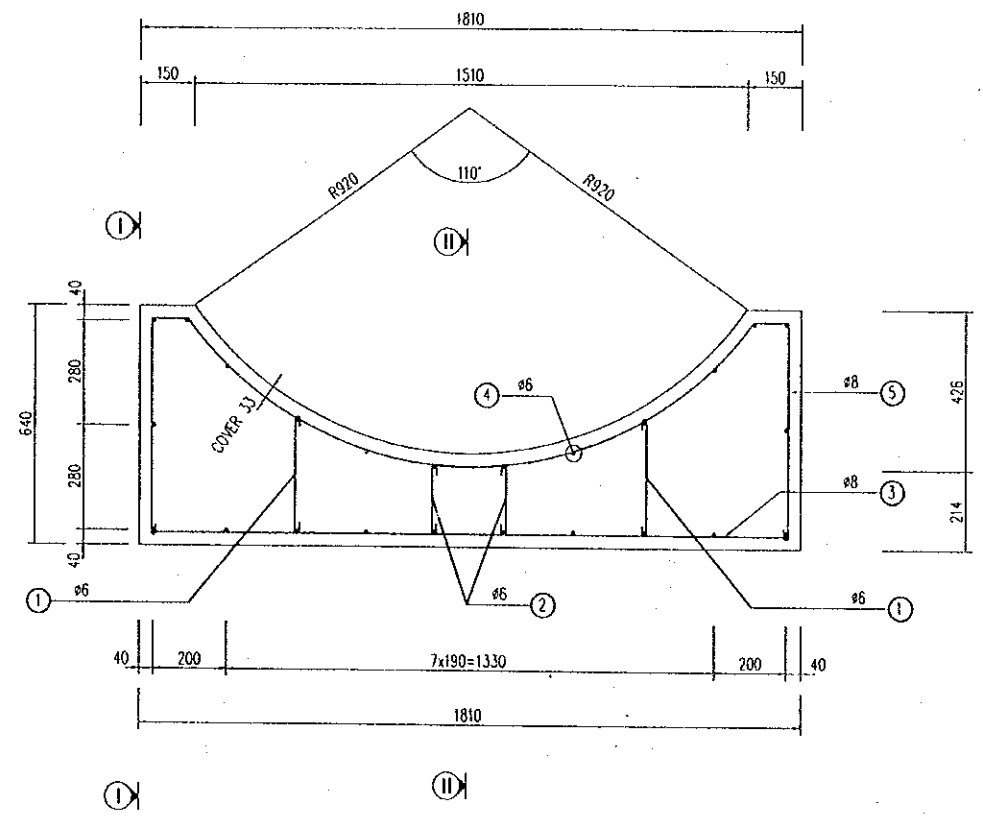
D:\project\CANTHO 2-9-2000\PI-DRAINAGE SYSTEM\PI-BC-0090.dwg Thu Aug 31 08:27:10 2000 TRAN TRONG AN

PROJECT NAME	IMPLEMENTATION AGENCY	EXECUTING AGENCY	JICA STUDY TEAM	PREPARED BY	CHECKED BY	APPROVED BY	DRAWING TITLE	DWG NO.
DETAILED DESIGN OF THE CAN THO BRIDGE CONSTRUCTION PROJECT	JICA JAPAN INTERNATIONAL COOPERATION AGENCY (JICA)	SOCIALIST REPUBLIC OF VIET NAM MINISTRY OF TRANSPORT (MOT) MY THUAN PROJECT MANAGEMENT UNIT	(NK) NIPPON KOEI CO.,LTD.	NAME: K. Nemoto SIGNATURE: <i>K. Nemoto</i> DATE: 20/9/2000	NAME: K. Nakai SIGNATURE: <i>K. Nakai</i> DATE: 29/9/2000	NAME: K. Enomoto SIGNATURE: <i>K. Enomoto</i> DATE: 5/10/2000	REINFORCEMENT OF PIPE SEGMENT - 1.50M DIAMETER STATION 0+51.8	P1/BC/0090

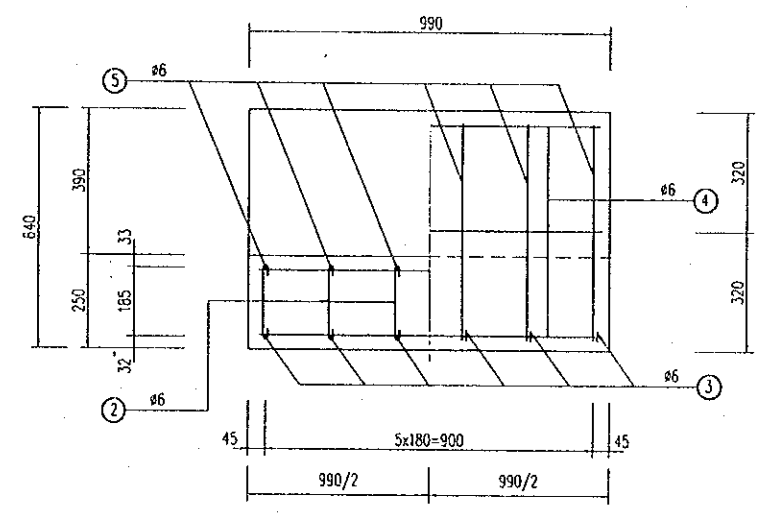
D:\project\CANTHO 2-9-2000\PI-DRAINAGE SYSTEM\PI-BC-0100.dwg Thu Aug 31 08:28:07 2000 TRAN TRONG AN

## REINFORCEMENT DETAILS OF CRADLE R.C.P.C 1.50m DIAMETER

**CROSS SECTION**  
(SCALE 1:20)

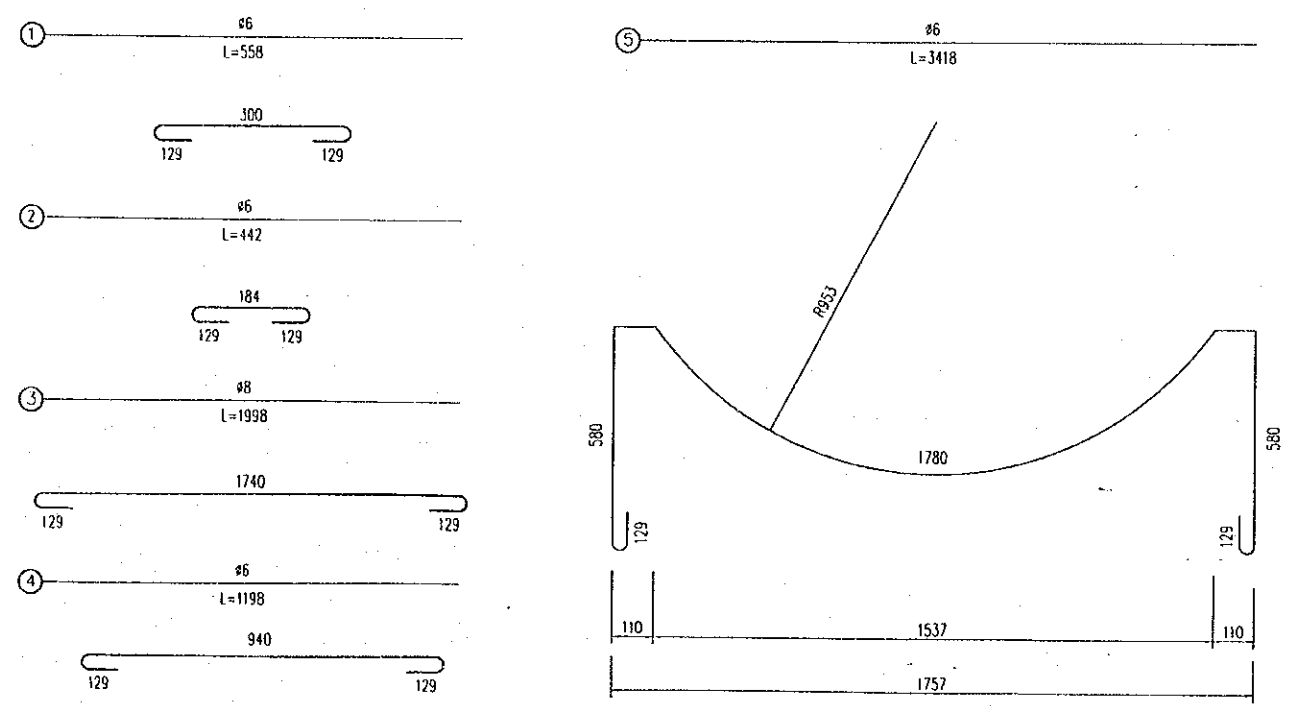


**HALF SECTION II-II      HALF SECTION I-I**  
(SCALE 1:20)                      (SCALE 1:20)



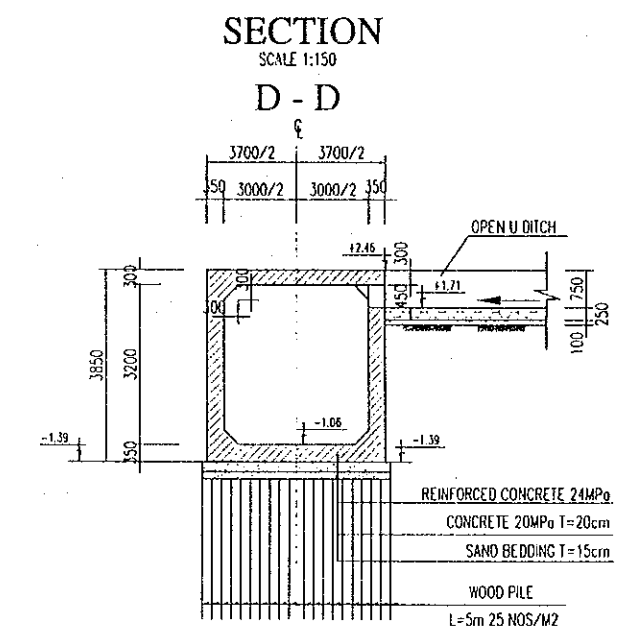
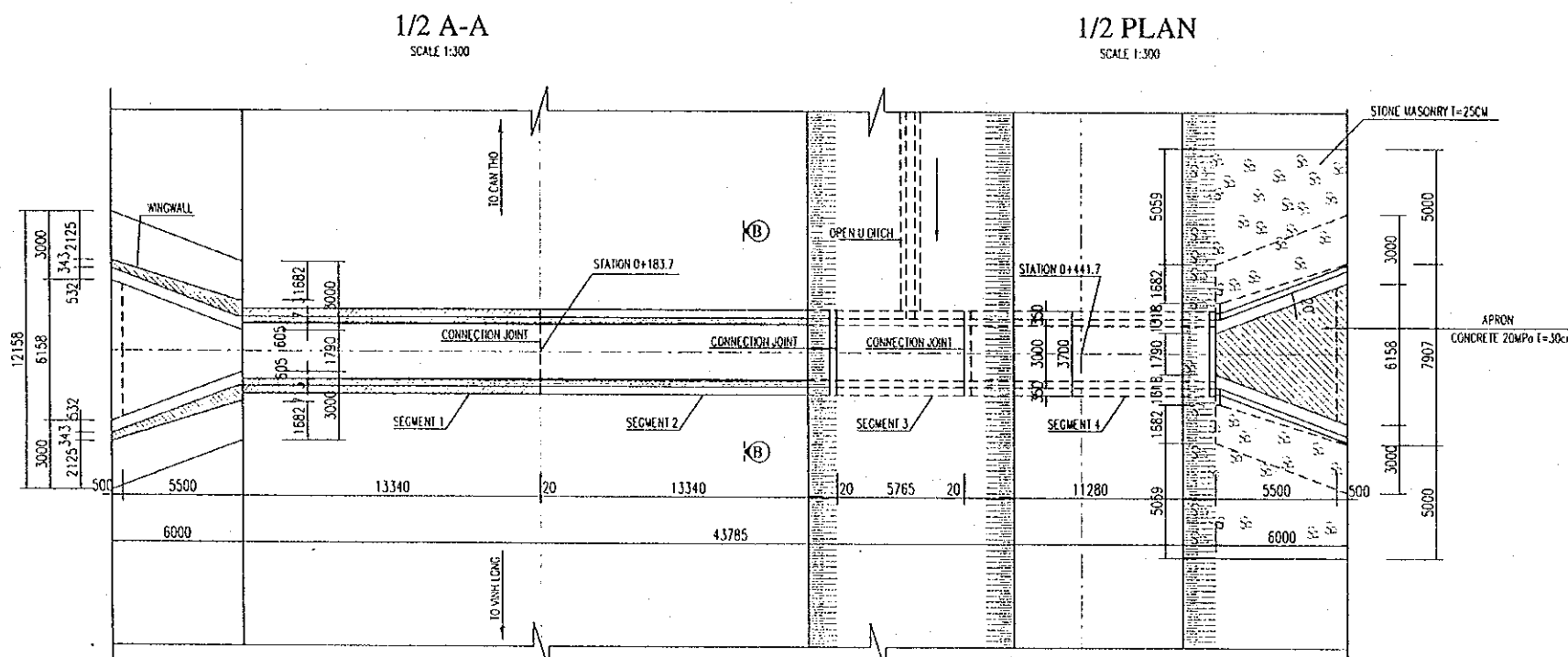
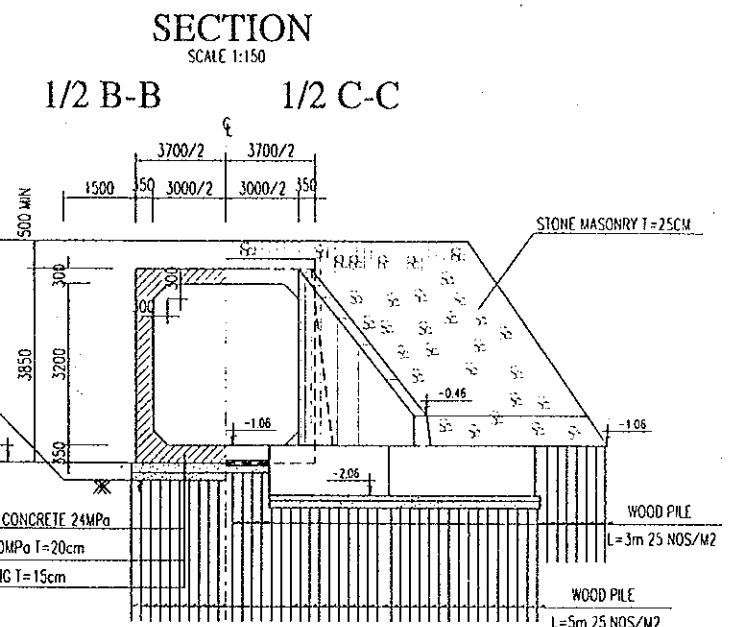
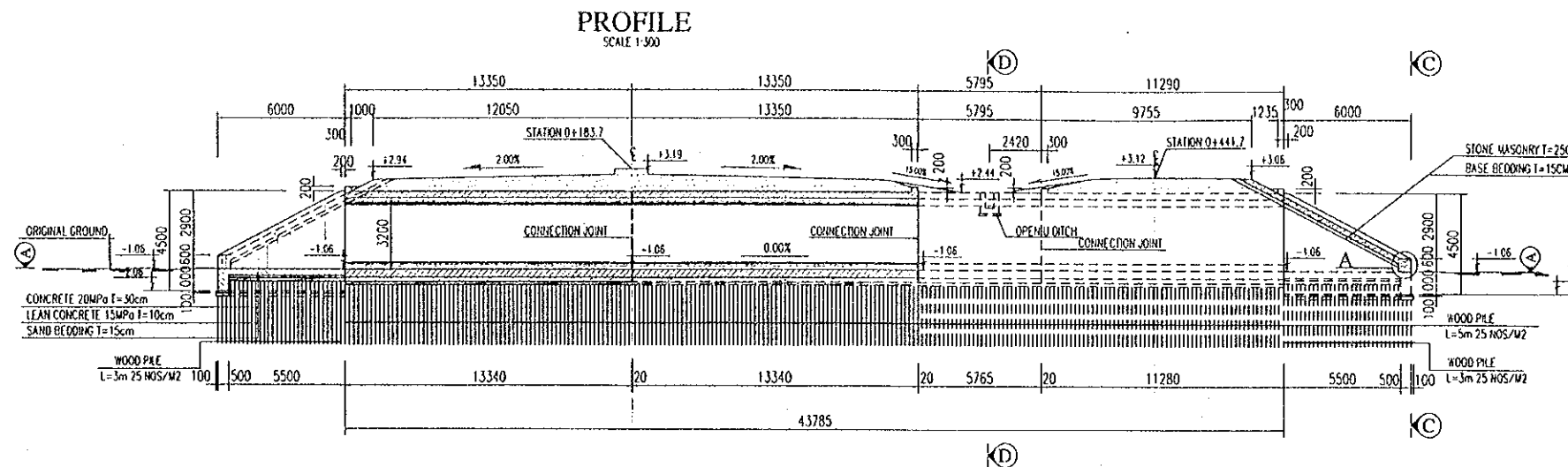
**QUANTITY TABLE OF CRADLE**

SYMBOL OF BAR	UNIT LENGTH (MM)	DIAMETER (MM)	NUMBER OF BAR	UNIT WEIGHT (KG/M)	TOTAL LENGTH (M)	TOTAL WEIGHT (KG)
1	558	6	12	0.222	6.70	1.49
2	442	6	6	0.222	2.65	0.59
4	1198	6	22	0.222	26.36	5.85
SUM #6			40		35.70	7.92
3	1998	8	6	0.395	11.99	4.73
5	3418	8	6	0.395	20.51	8.09
SUM #8			12		32.50	12.82
CONCRETE : 0.75 M3				REINFORCEMENT : 17.70 KG		

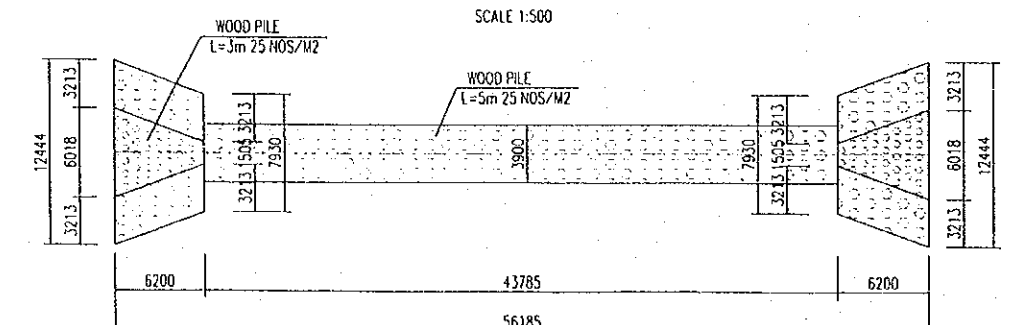


PROJECT NAME	IMPLEMENTATION AGENCY	EXECUTING AGENCY	JICA STUDY TEAM	PREPARED BY	CHECKED BY	APPROVED BY	DRAWING TITLE	DWG NO.
DETAILED DESIGN OF THE CAN THO BRIDGE CONSTRUCTION PROJECT	JICA JAPAN INTERNATIONAL COOPERATION AGENCY (JICA)	SOCIALIST REPUBLIC OF VIET NAM MINISTRY OF TRANSPORT (MOT) MY THUAN PROJECT MANAGEMENT UNIT	NK NIPPON KOEI CO.,LTD.	NAME: K. Nemoto SIGNATURE: <i>K. Nemoto</i> DATE: 20/9/2000	NAME: K. Nakai SIGNATURE: <i>K. Nakai</i> DATE: 29/9/2000	NAME: K. Enomoto SIGNATURE: <i>K. Enomoto</i> DATE: 5/10/2000	REINFORCEMENT OF CRADLE - R.C.P.C 1.50M DIAMETER STATION 0+51.8	P1/BC/0100

# BOX CULVERT FOR DRAINAGE (STATION 0+183.7)

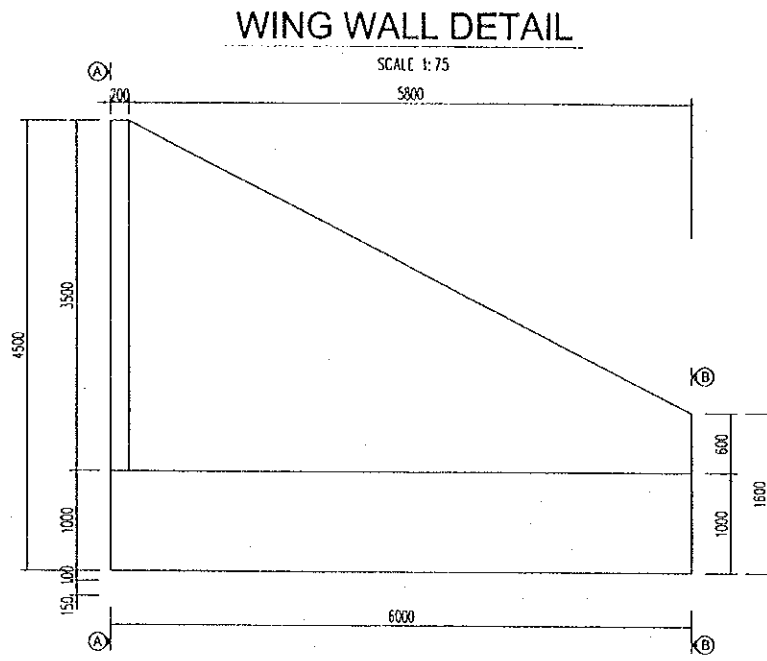


## PLAN LAYOUT OF WOOD PILE

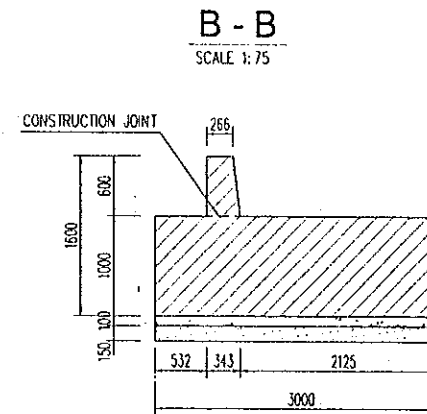
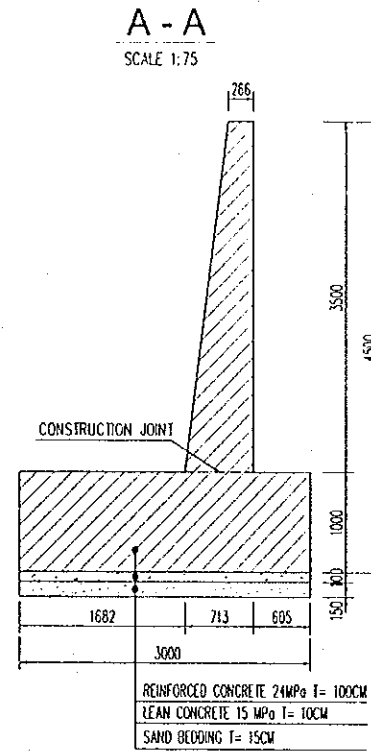
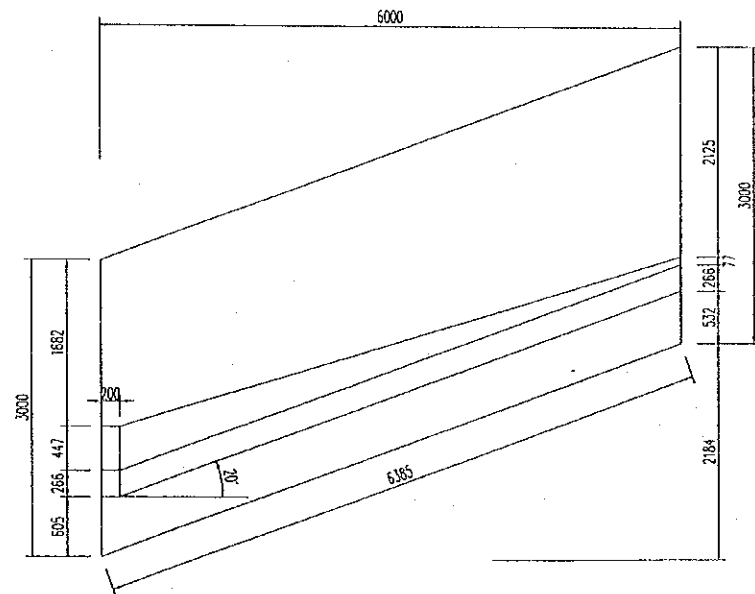


- NOTES:
- 1- ALL DIMENSIONS ARE IN MILLIMETER UNLESS OTHERWISE INDICATED.
  - 2- ELEVATIONS ARE IN METERS IN REFERENCE TO THE NATIONAL DATUM LEVEL.
  - 3- DETAIL A IS SHOWN IN THE DOCUMENT OF APPROACH ROAD - DRAWING No P1/MS/0180.
  - 4- DETAIL OPEN IS SHOWN IN THE DOCUMENT OF APPROACH ROAD.

PROJECT NAME	IMPLEMENTATION AGENCY	EXECUTING AGENCY	JICA STUDY TEAM	PREPARED BY	CHECKED BY	APPROVED BY	DRAWING TITLE	DWG NO.
DETAILED DESIGN OF THE CAN THO BRIDGE CONSTRUCTION PROJECT	JICA JAPAN INTERNATIONAL COOPERATION AGENCY (JICA)	SOCIALIST REPUBLIC OF VIET NAM MINISTRY OF TRANSPORT (MOT) MY THUAN PROJECT MANAGEMENT UNIT	NIPPON KOEI CO., LTD.	NAME K. Nemoto SIGNATURE <i>K. Nemoto</i> DATE 20/9/2000	NAME K. Nakai SIGNATURE <i>K. Nakai</i> DATE 29/9/2000	NAME K. Enomoto SIGNATURE <i>K. Enomoto</i> DATE 5/10/2000	GENERAL VIEW OF BOX CULVERT STATION 0+183.70	P1/BC/0110



**PLAN**  
SCALE 1:75



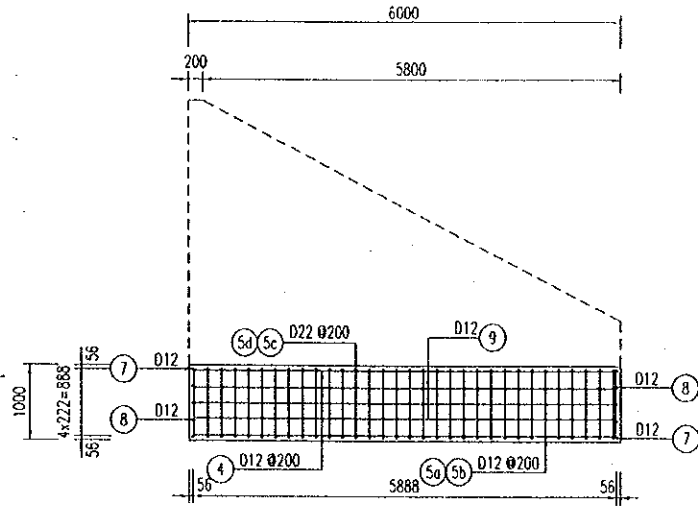
**NOTES :**

1- ALL DIMENSIONS ARE IN MILLIMETER UNLESS OTHERWISE INDICATED.

PROJECT NAME	IMPLEMENTATION AGENCY	EXECUTING AGENCY	JICA STUDY TEAM	PREPARED BY	CHECKED BY	APPROVED BY	DRAWING TITLE	DWG NO.
DETAILED DESIGN OF THE CAN THO BRIDGE CONSTRUCTION PROJECT	JICA JAPAN INTERNATIONAL COOPERATION AGENCY (JICA)	SOCIALIST REPUBLIC OF VIET NAM MINISTRY OF TRANSPORT (MOT) MY THUAN PROJECT MANAGEMENT UNIT	(NK) NIPPON KOEI CO.,LTD.	NAME: K. Nemoto SIGNATURE: <i>K. Nemoto</i> DATE: 20/9/2000	NAME: K. Nakai SIGNATURE: <i>K. Nakai</i> DATE: 29/9/2000	NAME: K. Enomoto SIGNATURE: <i>K. Enomoto</i> DATE: 5/10/2000	GENERAL VIEW OF WING WALL STATION 0+183.70	P1/BC/0120

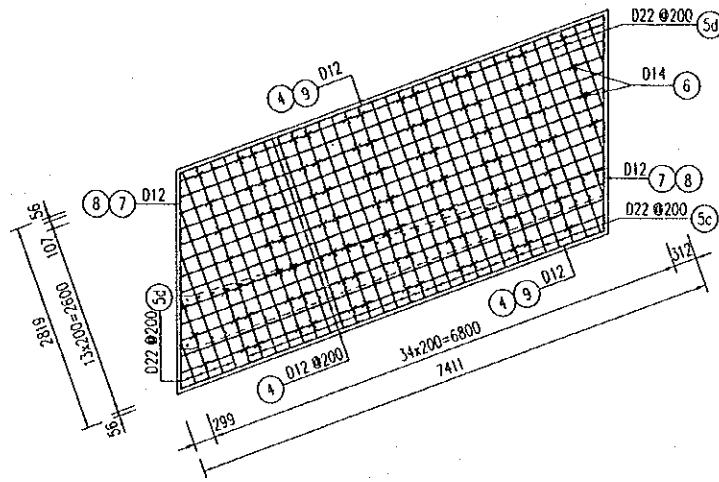
### REINFORCEMENT OF FOOTING

SCALE 1:100



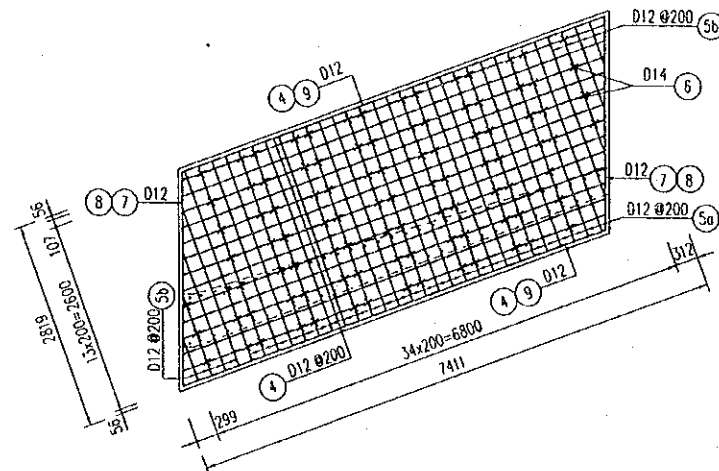
### TOP REINFORCEMENT

SCALE 1:100



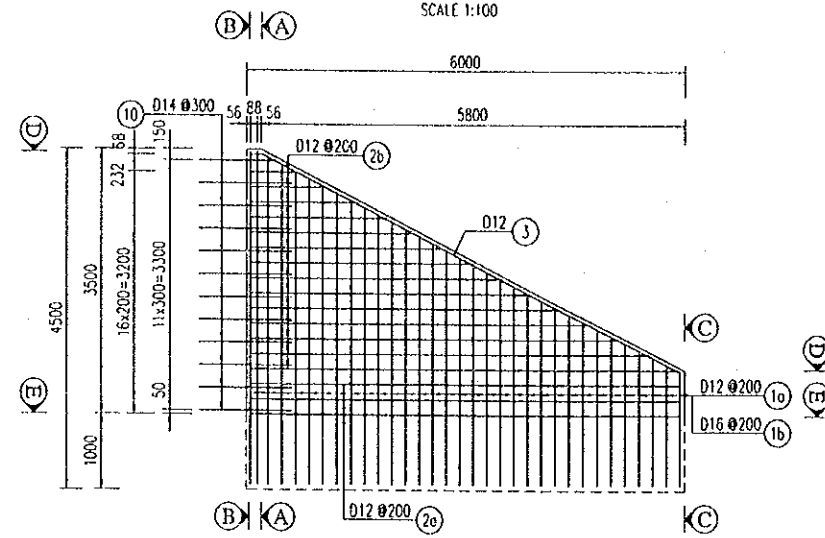
### BOTTOM REINFORCEMENT

SCALE 1:100



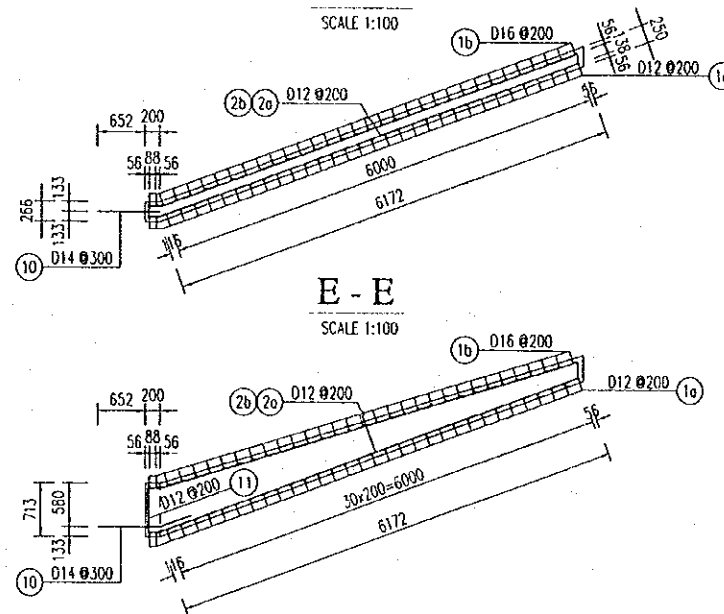
### REINFORCEMENT OF WING WALL

SCALE 1:100



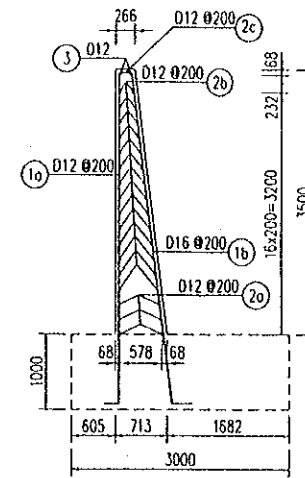
### D - D

SCALE 1:100



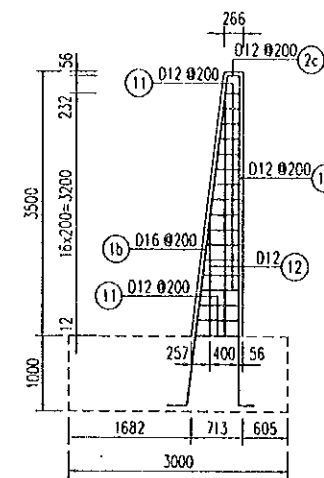
### A - A

SCALE 1:100



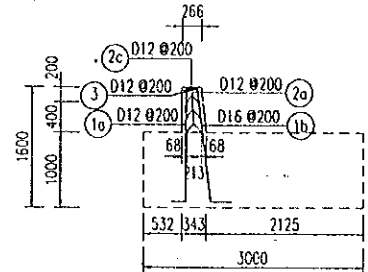
### B - B

SCALE 1:100



### C - C

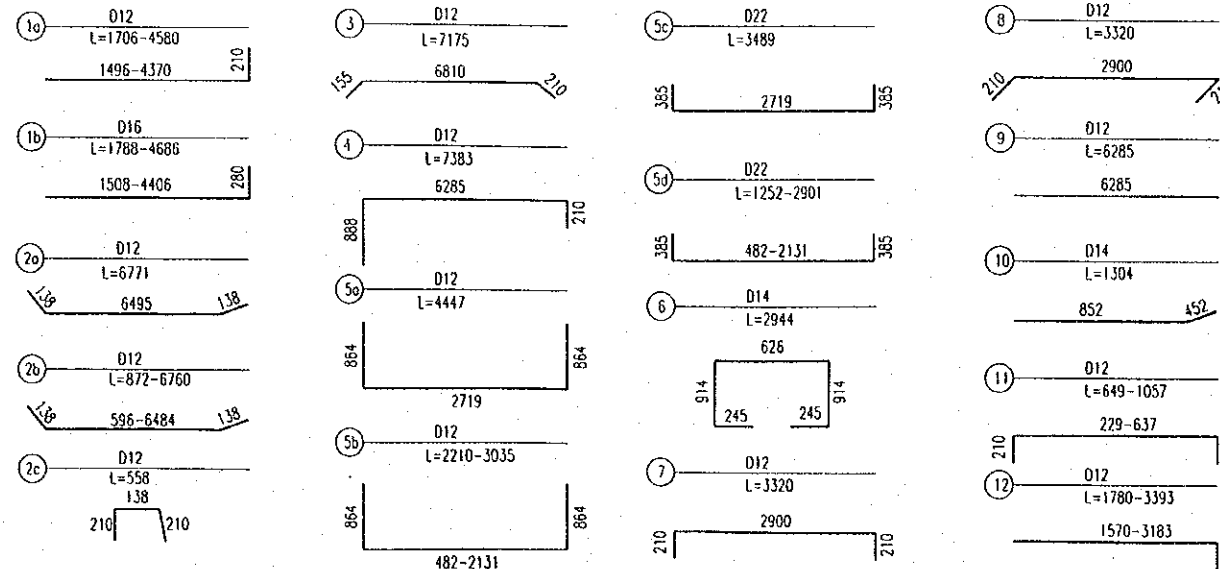
SCALE 1:100



### QUANTITIES TABLE

BAR MARK	UNIT LENGTH (MM)	DIAMETER (MM)	NUMBER OF BAR	UNIT WEIGHT (KG/M)	TOTAL LENGTH (M)	TOTAL WEIGHT (KG)
1a	3143	12	33	0.888	103.7	92.1
1b	3237	16	33	1.578	106.8	168.6
2a	6771	12	6	0.888	40.6	36.1
2b	3816	12	28	0.888	106.8	94.9
2c	558	12	33	0.888	18.4	16.3
3	7175	12	2	0.888	14.4	12.7
4	7383	12	50	0.888	221.5	196.6
5a	4447	12	27	0.888	120.1	106.6
5b	3035	12	9	0.888	27.3	24.2
5c	3489	22	27	2.984	94.2	281.1
5d	2077	22	9	2.984	18.7	55.8
6	2944	14	49	1.208	144.3	174.3
7	3320	12	4	0.888	13.3	11.8
8	3320	12	6	0.888	19.9	17.7
9	6285	12	6	0.888	37.7	33.5
10	1304	14	12	1.208	15.6	18.9
11	653	12	17	0.888	14.5	12.9
12	2587	12	2	0.888	5.2	4.6
REINFORCEMENT					D<=14	853.2
REINFORCEMENT					14<D<=25	505.5
CONCRETE					22.91 M3	TOTAL REINFORCEMENT 1358.7

NOTES:  
1- ALL DIMENSIONS ARE IN MILLIMETER UNLESS OTHERWISE INDICATED.

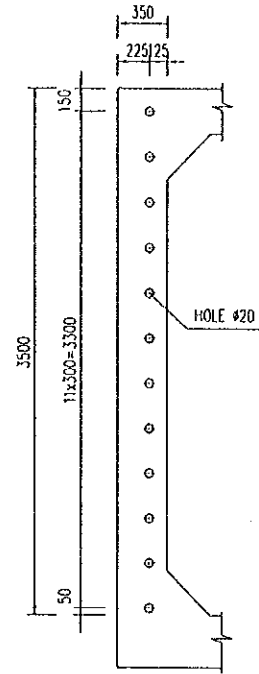


PROJECT NAME	IMPLEMENTATION AGENCY	EXECUTING AGENCY	JICA STUDY TEAM	PREPARED BY	CHECKED BY	APPROVED BY	DRAWING TITLE	DWG NO.
DETAILED DESIGN OF THE CAN THO BRIDGE CONSTRUCTION PROJECT	JICA JAPAN INTERNATIONAL COOPERATION AGENCY (JICA)	SOCIALIST REPUBLIC OF VIET NAM MINISTRY OF TRANSPORT (MOT) MY THUAN PROJECT MANAGEMENT UNIT	NIPPON KOEI CO.,LTD.	K. Nemoto	K. Nakai	K. Enomoto	REINFORCEMENT OF WING WALL STATION 0 + 183.7	P1/BC/0130
				SIGNATURE	SIGNATURE	SIGNATURE		
				DATE	DATE	DATE		
				20/9/2000	29/9/2000	5/10/2000		

D:\project\CANTHO 2-9-2000\P1-DRAINAGE SYSTEM\P1-BC-0140.dwg Thu Aug 31 08:30:41 2000 TRAN TRONG AN

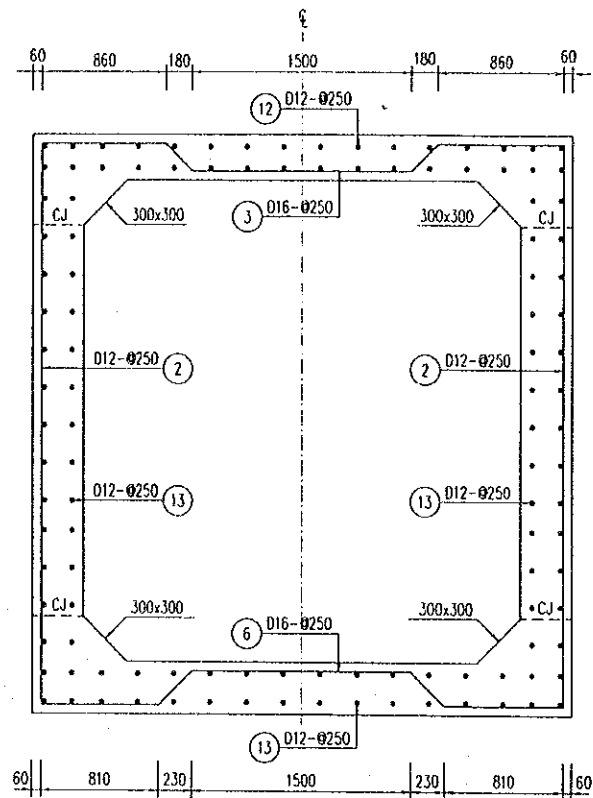
**POSITION OF HOLE**

(SCALE 1:50)



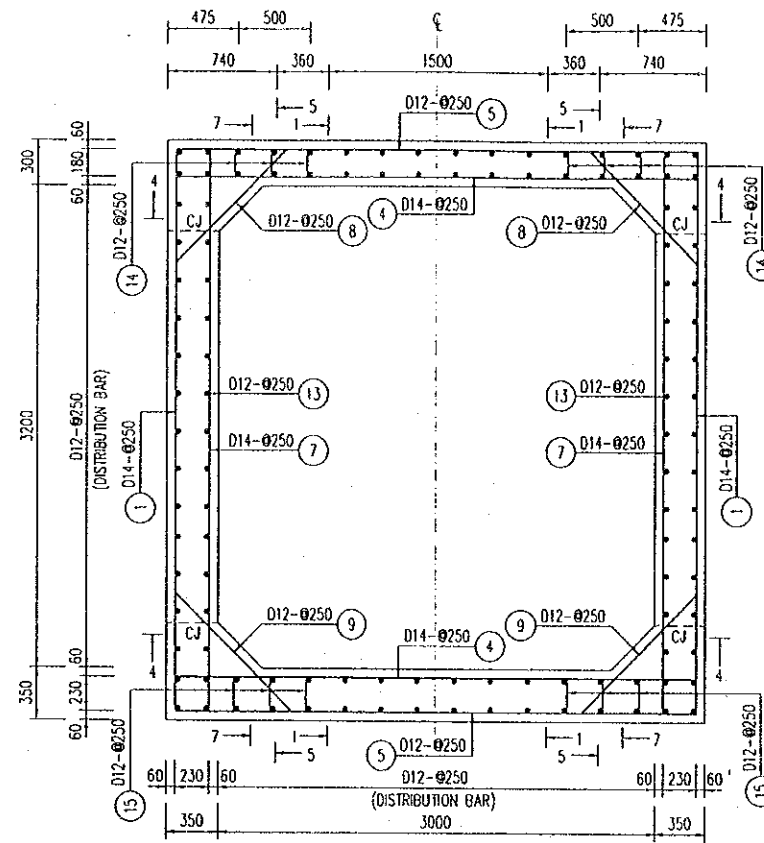
**SECTION B - B**

(SCALE 1:50)



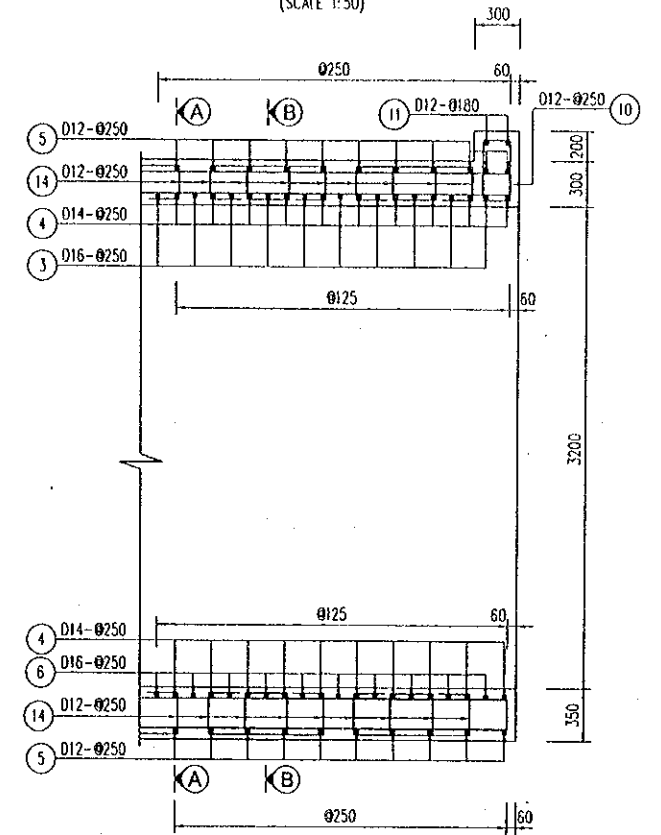
**SECTION A - A**

(SCALE 1:50)



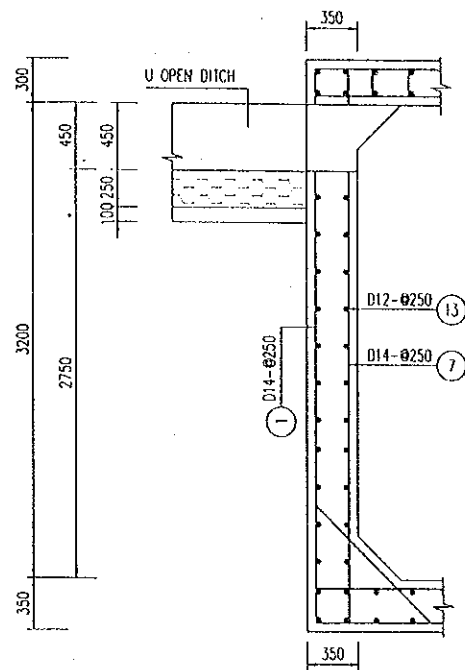
**THE END OF BARREL**

(SCALE 1:50)



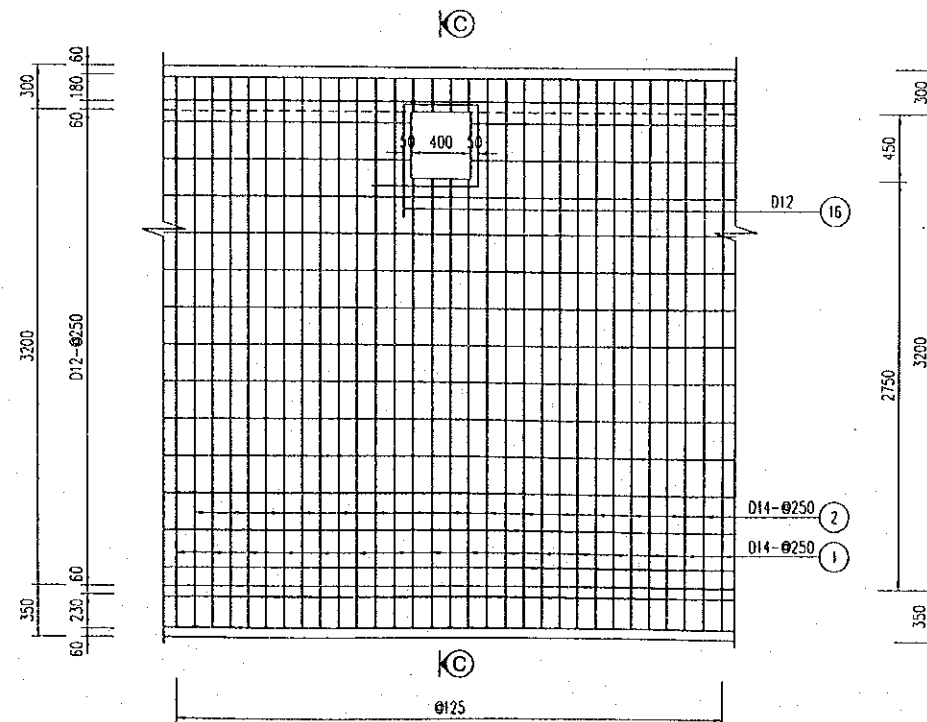
**C - C**

(SCALE 1:50)



**DETAIL OF CONNECTION WITH OPEN DITCH**

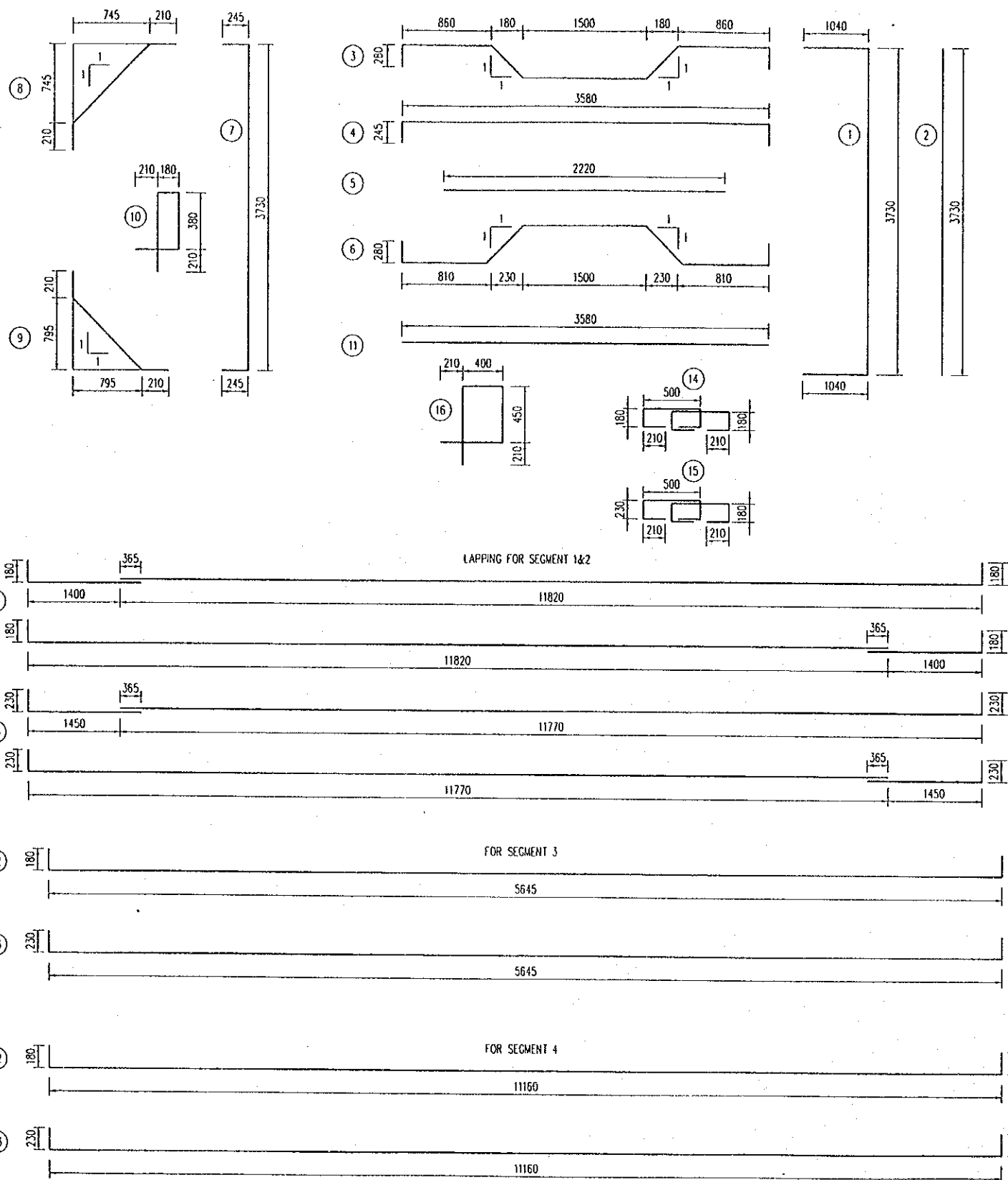
(SCALE 1:50)



**NOTES:**

- 1- ALL DIMENSIONS ARE IN MILLIMETER UNLESS OTHERWISE INDICATED.
- 2- DIRECTION OF CULVERT AND LENGTH OF SEGMENTS SEE GENERAL VIEW DRAWING.
- 3- POSITION OF U OPEN DITCH SEE GENERAL VIEW DRAWING.

PROJECT NAME	IMPLEMENTATION AGENCY	EXECUTING AGENCY	JICA STUDY TEAM	PREPARED BY	CHECKED BY	APPROVED BY	DRAWING TITLE	DWG NO.
DETAILED DESIGN OF THE CAN THO BRIDGE CONSTRUCTION PROJECT	JICA JAPAN INTERNATIONAL COOPERATION AGENCY (JICA)	SOCIALIST REPUBLIC OF VIET NAM MINISTRY OF TRANSPORT (MOT) MY THUAN PROJECT MANAGEMENT UNIT	NIPPON KOEI CO.,LTD.	NAME: K. Nemoto SIGNATURE: <i>K. Nemoto</i> DATE: 20/9/2000	NAME: K. Nakai SIGNATURE: <i>K. Nakai</i> DATE: 24/9/2000	NAME: K. Enomoto SIGNATURE: <i>K. Enomoto</i> DATE: 5/10/2000	REINFORCEMENT OF CULVERT STATION 0+183.7 - SHEET 1	P1/BC/0140



### QUANTITIES TABLE

SEGMENT 1 (OR 2)							
SYMBOL OF BAR	UNIT LENGTH (mm)	SPACE (mm)	DIAMETER (mm)	NUMBER OF BAR	UNIT WEIGHT (kg/m)	TOTAL LENGTH (m)	TOTAL WEIGHT (kg)
1	5810	250	14	108	1.208	627.48	758.3
2	3730	250	12	106	0.888	395.38	351.0
3	4289	250	16	53	1.578	227.32	358.8
4	4070	250	14	108	1.208	439.56	531.2
5	2220	250	12	108	0.888	239.76	212.9
6	4331	250	16	53	1.578	229.54	362.3
7	4220	250	14	108	1.208	455.76	550.7
8	1474	250	12	108	0.888	159.15	141.3
9	1544	250	12	108	0.888	166.78	148.1
10	1540	250	12	16	0.888	24.64	21.9
11	3580	180	12	2	0.888	7.16	6.4
12	13945	250	12	32	0.888	446.24	396.2
13	14045	250	12	84	0.888	1179.78	1047.4
14	1280	250	12	160	0.888	204.80	181.82
15	1380	250	12	160	0.888	220.80	196.03
TOTAL FOR SEGMENT 1 (OR 2)				CONCRETE :	64.59 M <sup>3</sup>	REINFORCEMENT : 5264.2 kg	
SEGMENT 3							
SYMBOL OF BAR	UNIT LENGTH (mm)	SPACE (mm)	DIAMETER (mm)	NUMBER OF BAR	UNIT WEIGHT (kg/m)	TOTAL LENGTH (m)	TOTAL WEIGHT (kg)
1	5810	250	14	48	1.208	278.88	337.0
2	3730	250	12	46	0.888	171.58	152.3
3	4289	250	16	23	1.578	98.65	155.7
4	4070	250	14	48	1.208	195.36	236.1
5	2220	250	12	48	0.888	106.56	94.6
6	4331	250	16	23	1.578	99.61	157.2
7	4220	250	14	48	1.208	202.56	244.8
8	1474	250	12	48	0.888	70.73	62.8
9	1544	250	12	48	0.888	74.13	65.8
10	1540	250	12	16	0.888	24.64	21.9
11	3580	180	12	2	0.888	7.16	6.4
12	6005	250	12	32	0.888	192.16	170.6
13	6105	250	12	84	0.888	512.82	455.3
14	1280	250	12	69	0.888	88.32	78.4
15	1380	250	12	69	0.888	95.22	84.5
16	2120	250	12	2	0.888	4.24	3.8
TOTAL FOR SEGMENT 3				CONCRETE :	28.04 M <sup>3</sup>	REINFORCEMENT : 2327.2 kg	
SEGMENT 4							
SYMBOL OF BAR	UNIT LENGTH (mm)	SPACE (mm)	DIAMETER (mm)	NUMBER OF BAR	UNIT WEIGHT (kg/m)	TOTAL LENGTH (m)	TOTAL WEIGHT (kg)
1	5810	250	14	92	1.208	534.52	645.9
2	3730	250	12	90	0.888	335.70	298.0
3	4289	250	16	45	1.578	193.01	304.6
4	4070	250	14	92	1.208	374.44	452.5
5	2220	250	12	92	0.888	204.24	181.3
6	4331	250	16	45	1.578	194.90	307.6
7	4220	250	14	92	1.208	388.24	469.2
8	1474	250	12	92	0.888	135.57	120.4
9	1544	250	12	92	0.888	142.08	126.1
10	1540	250	12	16	0.888	24.64	21.9
11	3580	180	12	2	0.888	7.16	6.4
12	11520	250	12	32	0.888	368.64	327.3
13	11620	250	12	84	0.888	976.08	866.6
14	1280	250	12	38	0.888	48.64	43.2
15	1380	250	12	135	0.888	186.30	165.4
TOTAL FOR SEGMENT 4				CONCRETE :	54.65 M <sup>3</sup>	REINFORCEMENT : 4336.3 kg	
TOTAL FOR THE WHOLE OF CULVERT				CONCRETE :	211.86 M <sup>3</sup>	REINFORCEMENT : 17191.9 kg	

### NOTES :

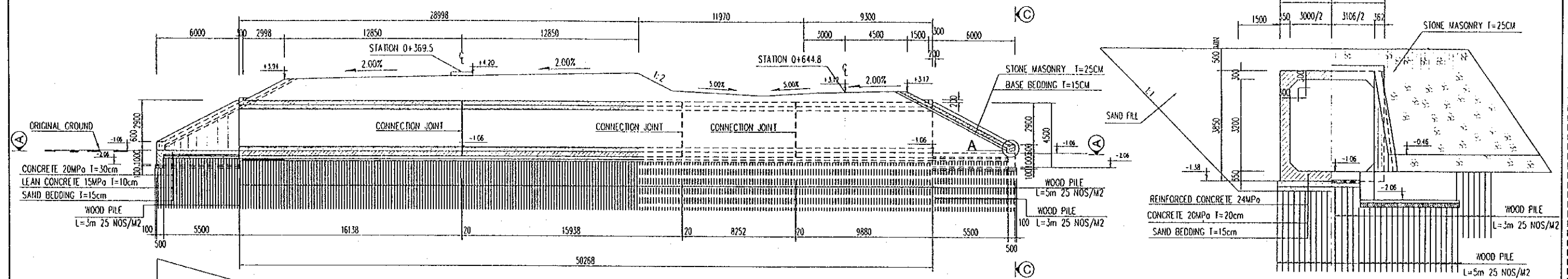
- 1- ALL DIMENSIONS ARE IN MILLIMETER UNLESS OTHERWISE INDICATED.
- 2- DIRECTION OF CULVERT AND LENGTH OF SEGMENTS SEE GENERAL VIEW DRAWING.

PROJECT NAME DETAILED DESIGN OF THE CAN THO BRIDGE CONSTRUCTION PROJECT	IMPLEMENTATION AGENCY JICA JAPAN INTERNATIONAL COOPERATION AGENCY (JICA)	EXECUTING AGENCY SOCIALIST REPUBLIC OF VIET NAM MINISTRY OF TRANSPORT (MOT) MY THUAN PROJECT MANAGEMENT UNIT	JICA STUDY TEAM NIPPON KOEI CO.,LTD.	PREPARED BY NAME: K. Nemoto SIGNATURE: <i>K. Nemoto</i> DATE: 20/9/2000	CHECKED BY NAME: K. Nakai SIGNATURE: <i>K. Nakai</i> DATE: 29/9/2000	APPROVED BY NAME: K. Enomoto SIGNATURE: <i>K. Enomoto</i> DATE: 5/10/2000	DRAWING TITLE REINFORCEMENT OF CULVERT STATION 0+183.7 - SHEET 2	DWG NO. P1/BC/0150
--	--	---	---	--	---	--	--	-----------------------

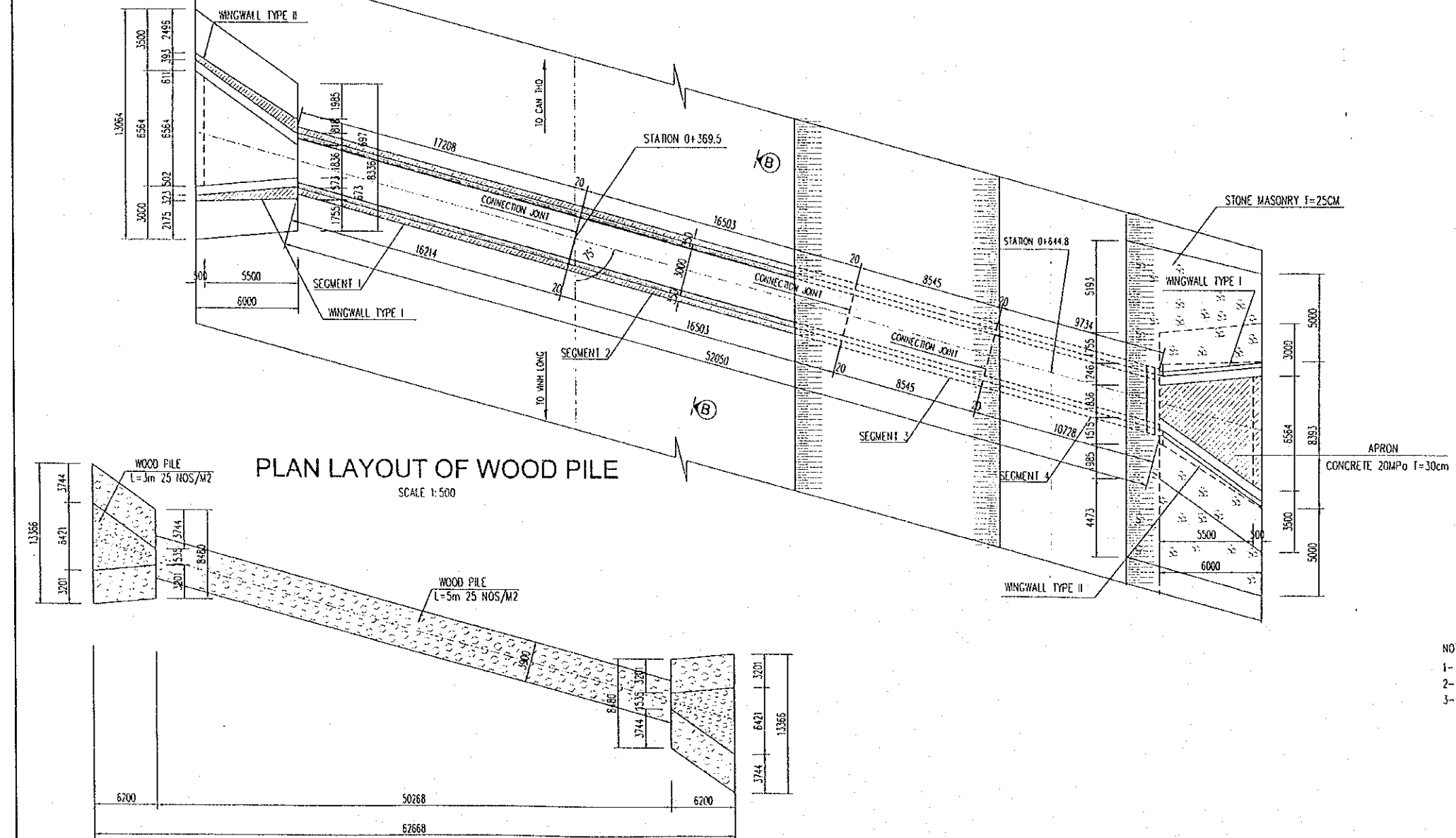
**BOX CULVERT FOR DRAINAGE  
(STATION 0+369.50)**

**SECTION  
SCALE 1:150**

**PROFILE  
SCALE 1:300**



**PLAN LAYOUT OF WOOD PILE  
SCALE 1:500**



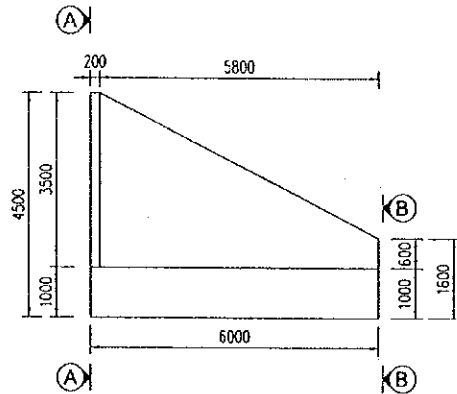
- NOTES:**
- 1- ALL DIMENSIONS ARE IN MILLIMETER UNLESS OTHERWISE INDICATED.
  - 2- ELEVATIONS ARE IN METERS IN REFERENCE TO THE NATIONAL DATUM LEVEL.
  - 3- DETAIL A IS SHOWN IN THE DOCUMENT OF APPROACH ROAD - DRAWING No P1/MS/0180.

PROJECT NAME	IMPLEMENTATION AGENCY	EXECUTING AGENCY	JICA STUDY TEAM	PREPARED BY	CHECKED BY	APPROVED BY	DRAWING TITLE	DWG NO.
DETAILED DESIGN OF THE CAN THO BRIDGE CONSTRUCTION PROJECT	JICA JAPAN INTERNATIONAL COOPERATION AGENCY (JICA)	SOCIALIST REPUBLIC OF VIET NAM MINISTRY OF TRANSPORT (MOT) MY THUAN PROJECT MANAGEMENT UNIT	NIPPON KOEI CO., LTD.	NAME: K. Nemoto SIGNATURE: <i>K. Nemoto</i> DATE: 20/9/2000	NAME: K. Nakai SIGNATURE: <i>K. Nakai</i> DATE: 29/9/2000	NAME: K. Enomoto SIGNATURE: <i>K. Enomoto</i> DATE: 5/10/2000	GENERAL VIEW OF BOX CULVERT STATION 0 + 369.50	P1/BC/0160



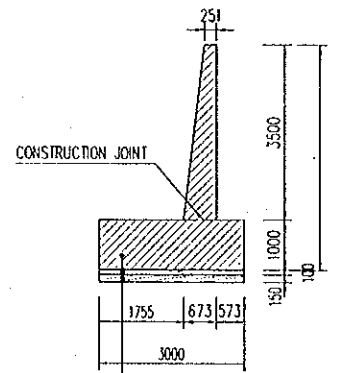
**WING WALL TYPE I**

SCALE 1:150



**A - A**

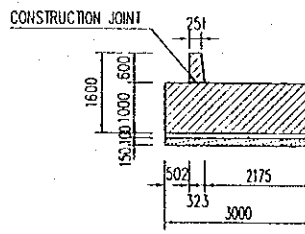
SCALE 1:150



REINFORCED CONCRETE 24MPa I=100CM  
LEAN CONCRETE 15MPa I=10CM  
SAD BEDDING I=15CM

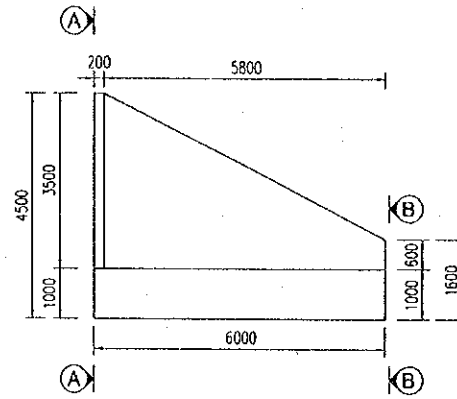
**B - B**

SCALE 1:150



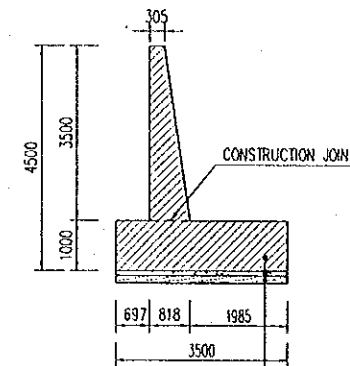
**WING WALL TYPE II**

SCALE 1:150



**A - A**

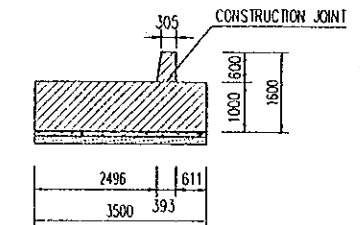
SCALE 1:150



REINFORCED CONCRETE 24MPa I=100CM  
LEAN CONCRETE 15MPa I=10CM  
SAD BEDDING I=15CM

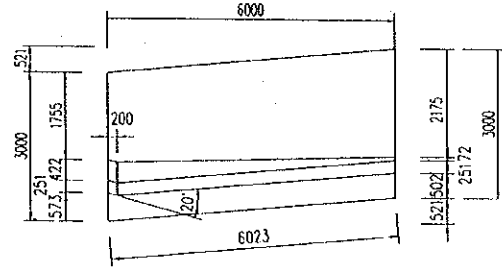
**B - B**

SCALE 1:150



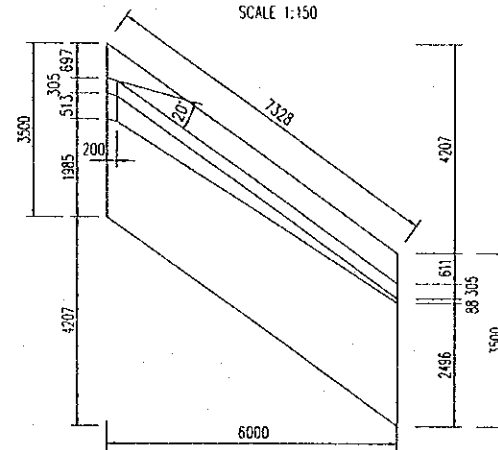
**PLAN**

SCALE 1:150



**PLAN**

SCALE 1:150



**NOTES:**

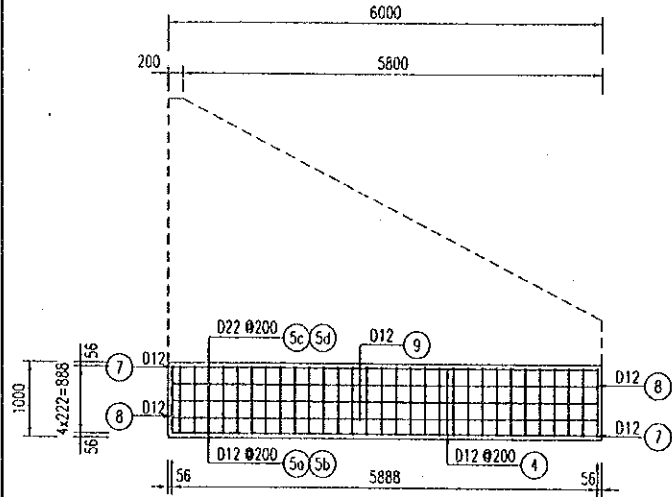
- 1- ALL DIMENSIONS ARE IN MILLIMETER UNLESS OTHERWISE INDICATED.
- 2- POSITION OF WING WALL SEE GENERAL VIEW DRAWING.

PROJECT NAME	IMPLEMENTATION AGENCY	EXECUTING AGENCY	JICA STUDY TEAM	PREPARED BY	CHECKED BY	APPROVED BY	DRAWING TITLE	DWG NO.
DETAILED DESIGN OF THE CAN THO BRIDGE CONSTRUCTION PROJECT	JICA JAPAN INTERNATIONAL COOPERATION AGENCY (JICA)	SOCIALIST REPUBLIC OF VIET NAM MINISTRY OF TRANSPORT (MOT) MY THUAN PROJECT MANAGEMENT UNIT	NIPPON KOEI CO.,LTD.	NAME: K. Nemoto SIGNATURE: <i>K. Nemoto</i> DATE: 20/9/2000	NAME: K. Nakai SIGNATURE: <i>K. Nakai</i> DATE: 29/9/2000	NAME: K. Enomoto SIGNATURE: <i>K. Enomoto</i> DATE: 5/10/2000	GENERAL VIEW OF WING WALL STATION 0+369.50	P1/BC/0170

I:\an\cantho 9-200\Drawings\PI-Vinh\_long side\PI-BC-0180.dwg Fri Sep 01 14:25:37 2000 DRAWN BY ANH DUNG

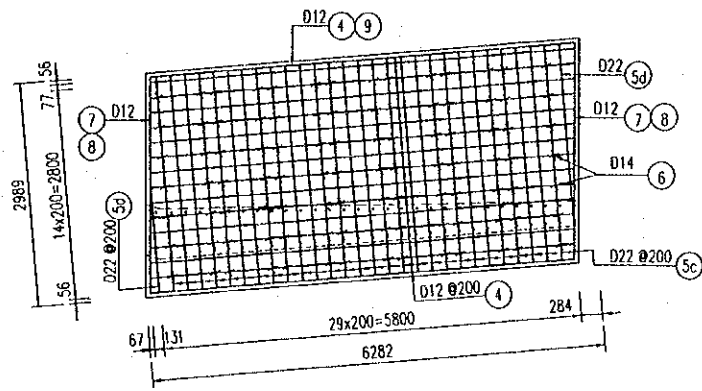
### REINFORCEMENT OF FOOTING

SCALE 1:100



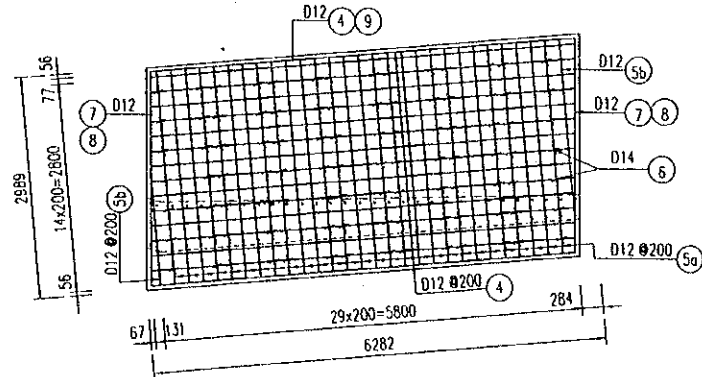
### TOP REINFORCEMENT

SCALE 1:100



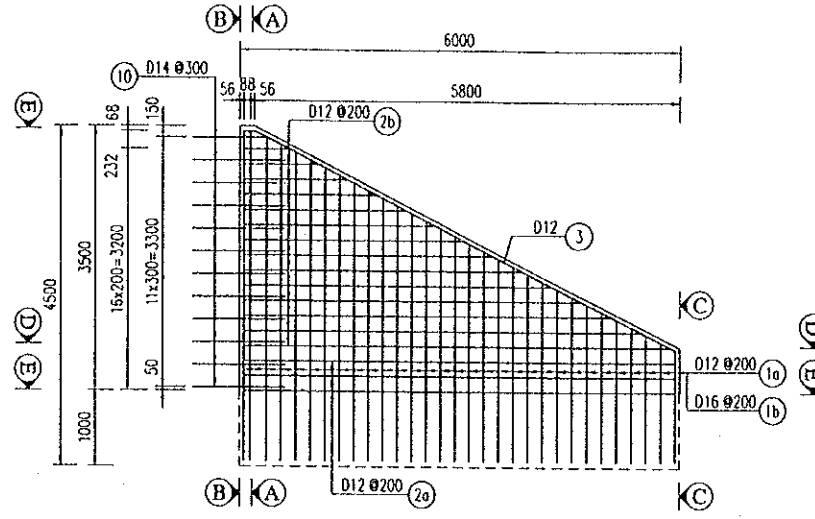
### BOTTOM REINFORCEMENT

SCALE 1:100



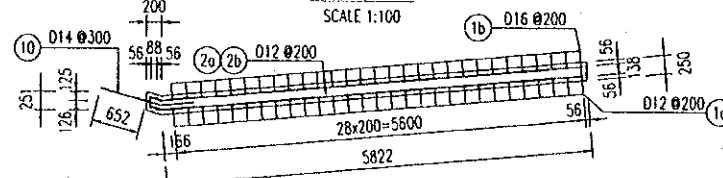
### REINFORCEMENT OF WING WALL TYPE I

SCALE 1:100



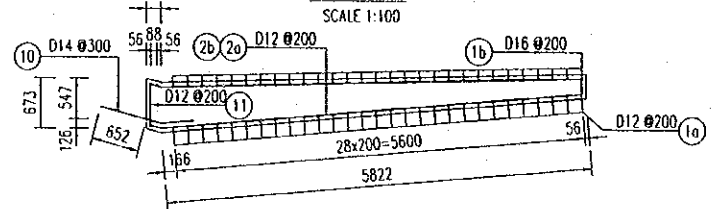
### D - D

SCALE 1:100



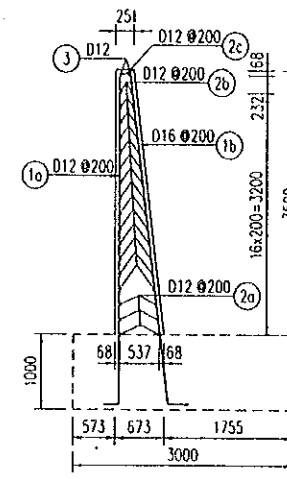
### E - E

SCALE 1:100



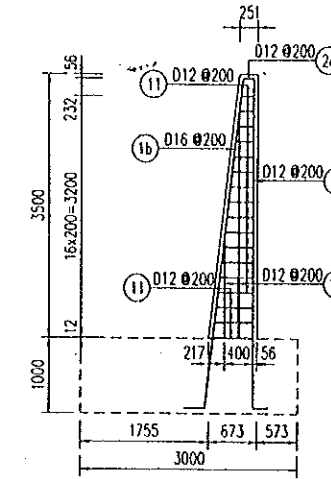
### A - A

SCALE 1:100



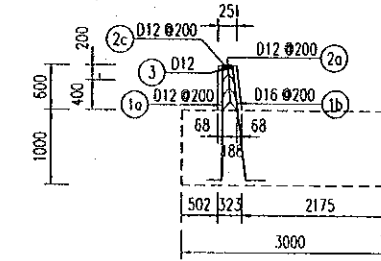
### B - B

SCALE 1:100



### C - C

SCALE 1:100



### QUANTITIES TABLE

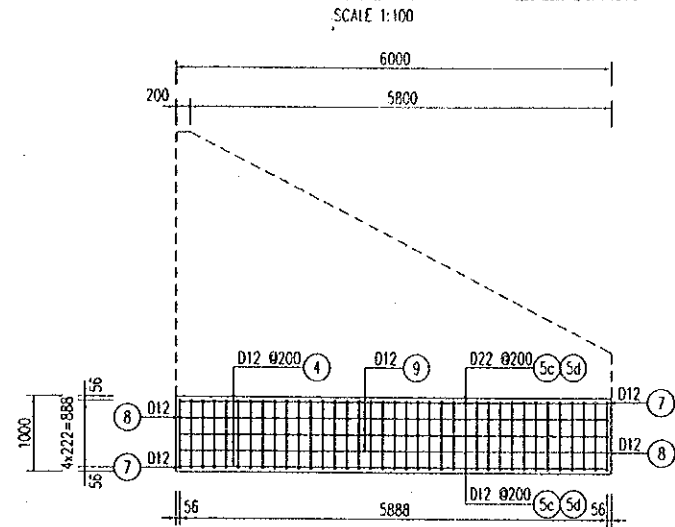
BAR MARK	UNIT LENGTH (MM)	DIAMETER (MM)	NUMBER OF BAR	UNIT WEIGHT (KG/M)	TOTAL LENGTH (M)	TOTAL WEIGHT (KG)
1a	3148	12	31	0.888	97.6	86.6
1b	3240	16	31	1.578	100.4	158.5
2a	6181	12	6	0.888	37.1	32.9
2b	3507	12	28	0.888	98.2	87.7
2c	558	12	31	0.888	17.3	15.4
3	6794	12	2	0.888	13.6	12.1
4	7008	12	32	0.888	224.3	199.1
5a	4617	12	28	0.888	129.3	114.8
5b	3703	12	2	0.888	7.4	6.6
5c	3659	22	28	2.984	102.5	305.7
5d	2745	22	2	2.984	5.5	16.4
6	2944	14	49	1.208	144.3	174.3
7	3320	12	4	0.888	13.3	11.8
8	3320	12	6	0.888	19.9	17.7
9	5888	12	6	0.888	35.3	31.4
10	1304	14	12	1.208	15.6	18.9
11	787	12	17	0.888	13.4	11.9
12	2361	12	2	0.888	4.7	4.2
					REINFORCEMENT D<14	824.7
					REINFORCEMENT 14<D<25	480.6
CONCRETE					22.53 M3	TOTAL REINFORCEMENT 1305.4

NOTES:  
1 - ALL DIMENSIONS ARE IN MILLIMETER UNLESS OTHERWISE INDICATED.

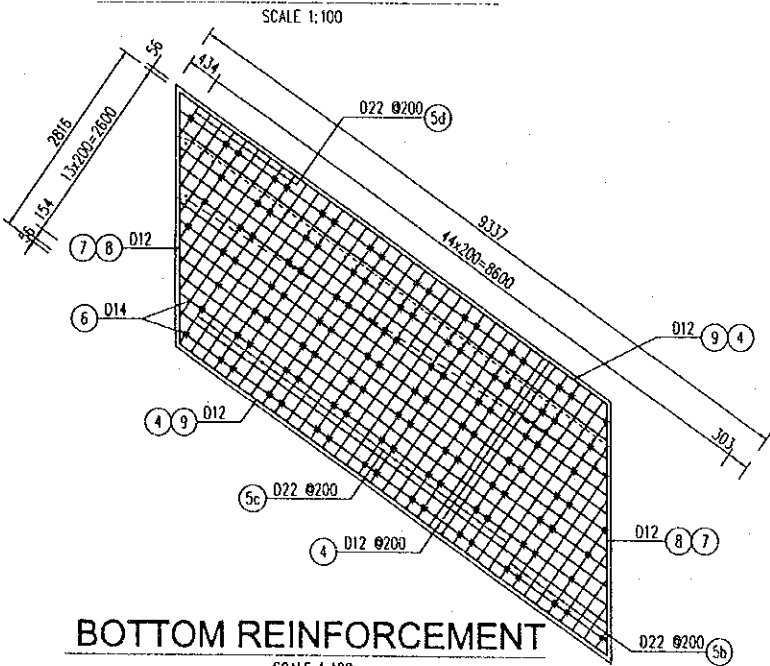
PROJECT NAME DETAILED DESIGN OF THE CAN THO BRIDGE CONSTRUCTION PROJECT	IMPLEMENTATION AGENCY JICA JAPAN INTERNATIONAL COOPERATION AGENCY (JICA)	EXECUTING AGENCY SOCIALIST REPUBLIC OF VIET NAM MINISTRY OF TRANSPORT (MOT) MY THUAN PROJECT MANAGEMENT UNIT	JICA STUDY TEAM NIPPON KOEI CO.,LTD.	PREPARED BY NAME: K. Nemoto SIGNATURE: <i>K. Nemoto</i> DATE: 20/9/2000	CHECKED BY NAME: K. Nakai SIGNATURE: <i>K. Nakai</i> DATE: 29/9/2000	APPROVED BY NAME: K. Enomoto SIGNATURE: <i>K. Enomoto</i> DATE: 5/10/2000	DRAWING TITLE REINFORCEMENT OF WING WALL TYPE I STATION 0 + 369.5	DWG NO. PI/BC/0180
--	--	---	---	--	---	--	---	-----------------------

\\an\cantho 9-200\Drawings4\P1-Vinh long side\P1-BC-0190.dwg Fri Sep 01 14:29:08 2000 DRAWN BY ANH DUNG

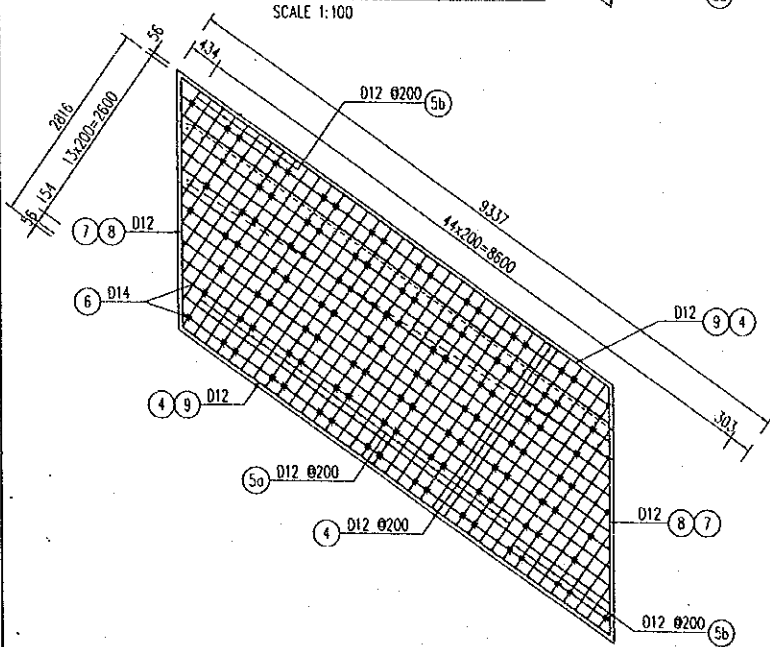
### REINFORCEMENT OF FOOTING



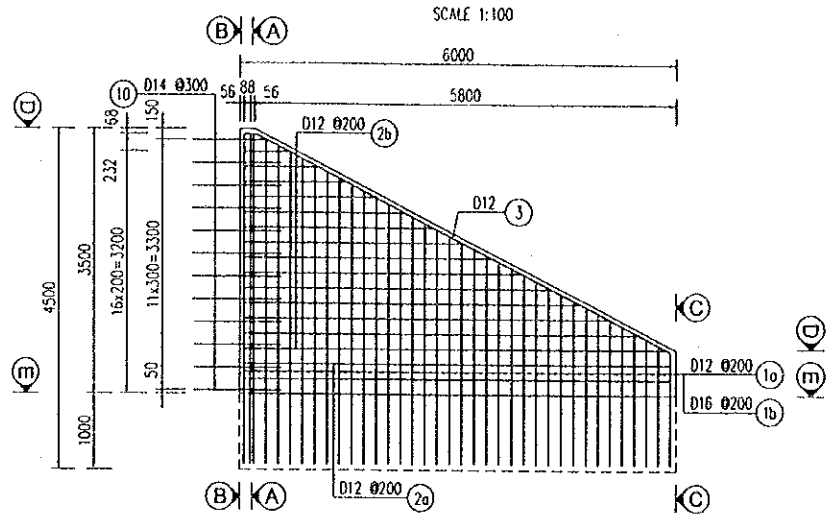
### TOP REINFORCEMENT



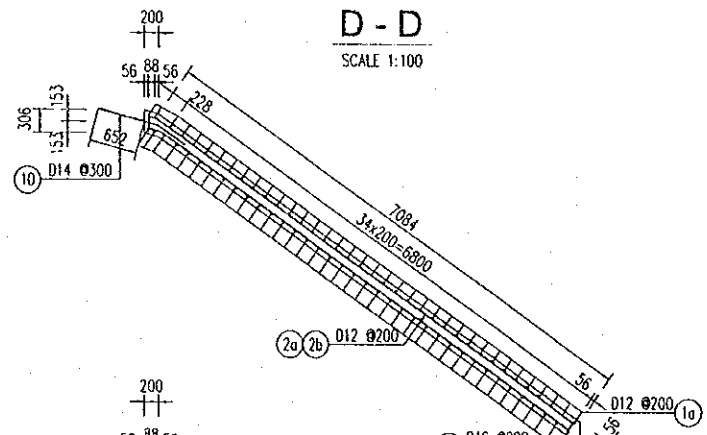
### BOTTOM REINFORCEMENT



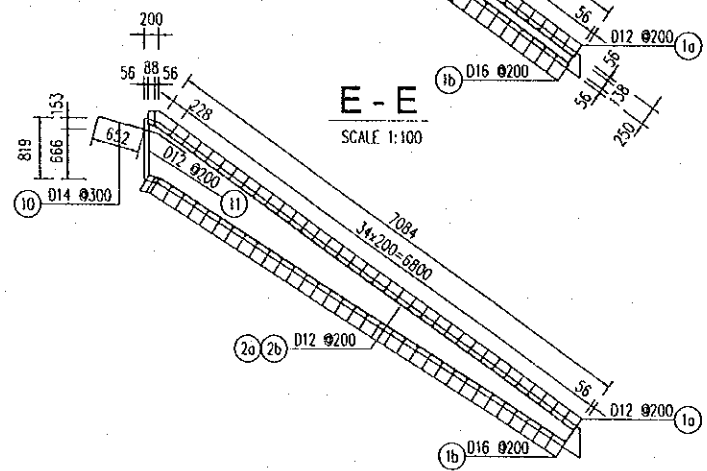
### REINFORCEMENT OF WING WALL TYPE II



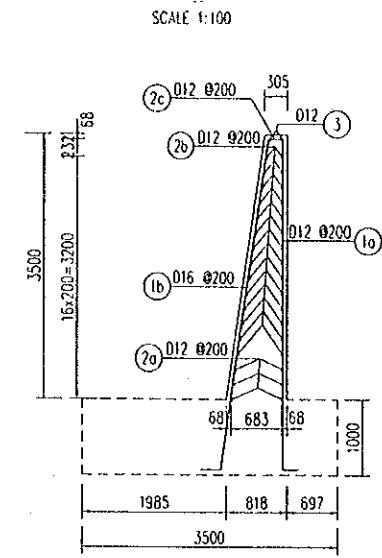
### D - D



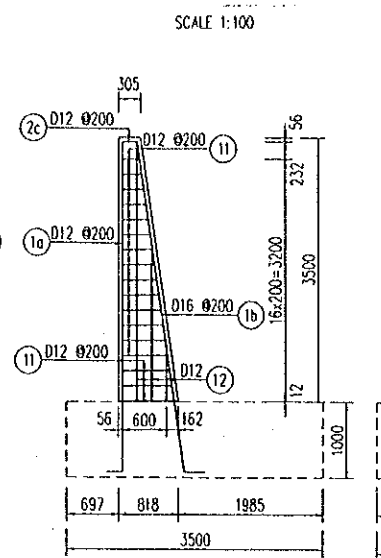
### E - E



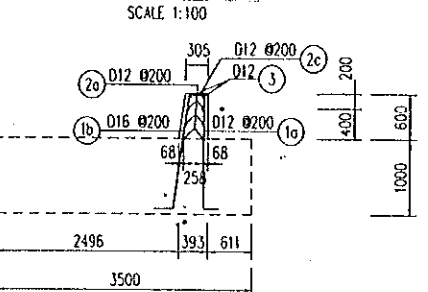
### A - A



### B - B



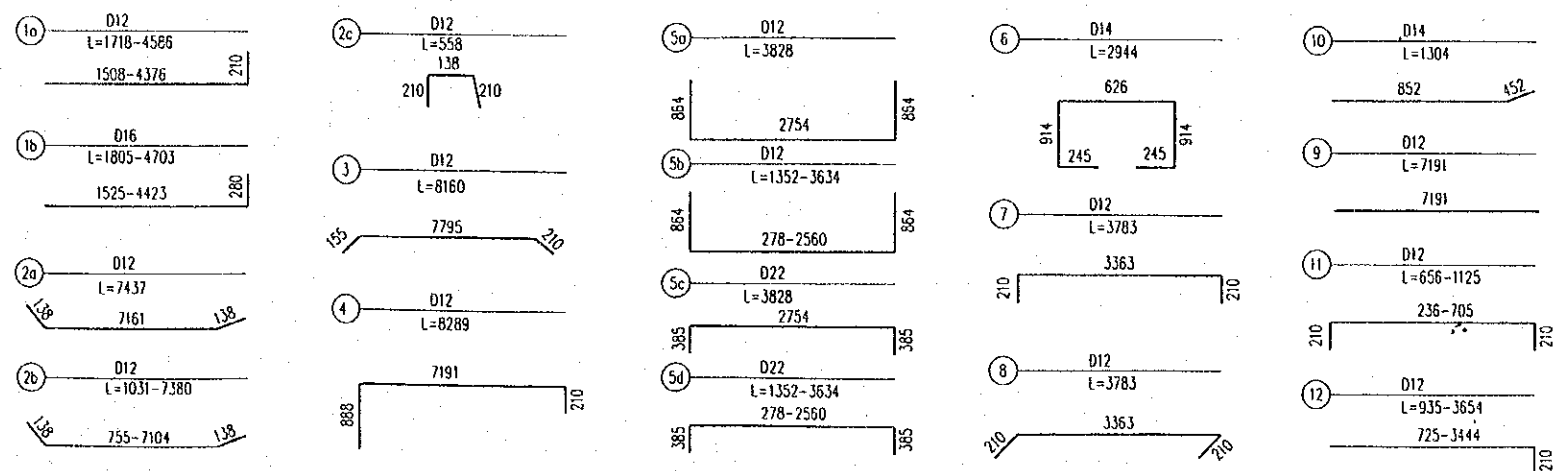
### C - C



### QUANTITIES TABLE

BAR MARK	UNIT LENGTH (MM)	DIAMETER (MM)	NUMBER OF BAR	UNIT WEIGHT (KG/M)	TOTAL LENGTH (M)	TOTAL WEIGHT (KG)		
1a	3152	12	36	0.888	113.5	100.7		
1b	3254	16	36	1.578	117.1	184.9		
2a	7437	12	6	0.888	44.6	39.6		
2b	4206	12	26	0.888	109.3	97.1		
2c	558	12	36	0.888	20.1	17.8		
3	8160	12	2	0.888	16.3	14.5		
4	8289	12	30	0.888	248.7	220.8		
5a	4482	12	27	0.888	121.0	107.4		
5b	3147	12	17	0.888	53.5	47.5		
5c	3524	22	27	2.984	95.1	283.9		
5d	2189	22	17	2.984	37.2	111.0		
6	2944	14	59	1.208	173.7	209.9		
7	3783	12	4	0.888	15.1	13.4		
8	3783	12	6	0.888	22.7	20.2		
9	7191	12	6	0.888	43.1	38.3		
10	1304	14	12	1.208	15.6	18.9		
11	891	12	17	0.888	15.1	13.4		
12	2295	12	3	0.888	6.9	6.1		
					REINFORCEMENT	D<14	965.7	
					REINFORCEMENT	14<D<=25	579.9	
CONCRETE					26.63	M3	TOTAL REINFORCEMENT	1545.6

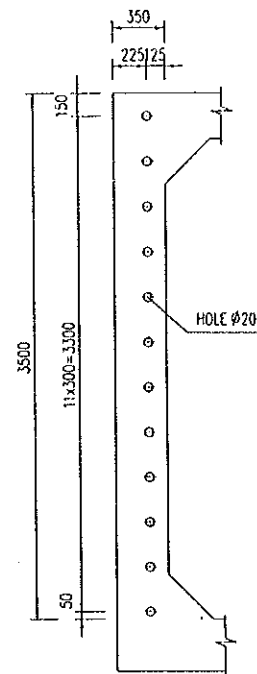
NOTES:  
1- ALL DIMENSIONS ARE IN MILLIMETER UNLESS OTHERWISE INDICATED.



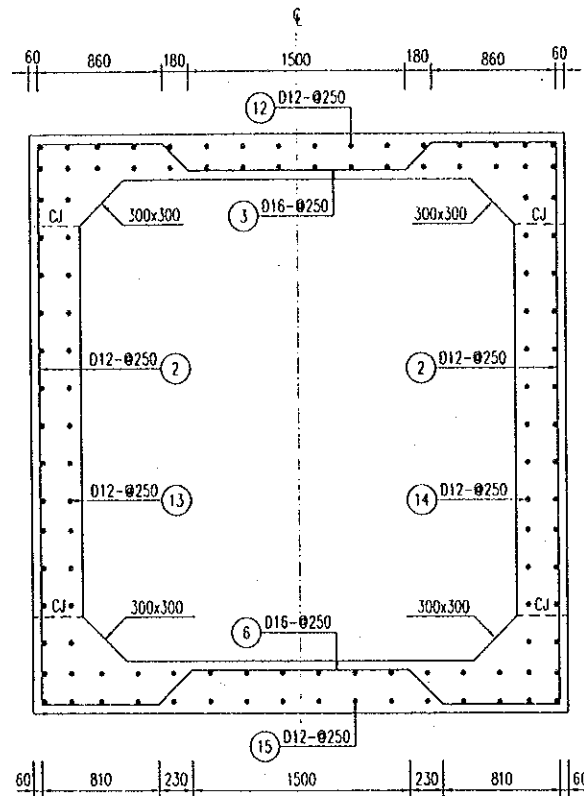
PROJECT NAME DETAILED DESIGN OF THE CAN THO BRIDGE CONSTRUCTION PROJECT	IMPLEMENTATION AGENCY JICA JAPAN INTERNATIONAL COOPERATION AGENCY (JICA)	EXECUTING AGENCY SOCIALIST REPUBLIC OF VIET NAM MINISTRY OF TRANSPORT (MOT) MY THUAN PROJECT MANAGEMENT UNIT	JICA STUDY TEAM NIPPON KOEI CO.,LTD.	PREPARED BY K. Nemoto	CHECKED BY K. Nakai	APPROVED BY K. Enomoto	DRAWING TITLE REINFORCEMENT OF WING WALL TYPE II STATION 0 + 369.5	DWG NO. PI/BC/0190
--	---	---	---	--------------------------	------------------------	---------------------------	---	-----------------------

D:\project\CANTHO 2-9-2000\P1-DRAINAGE SYSTEM\P1-BC-0200.dwg Thu Aug 31 08:34:57 2000 TRAN TRONG AN

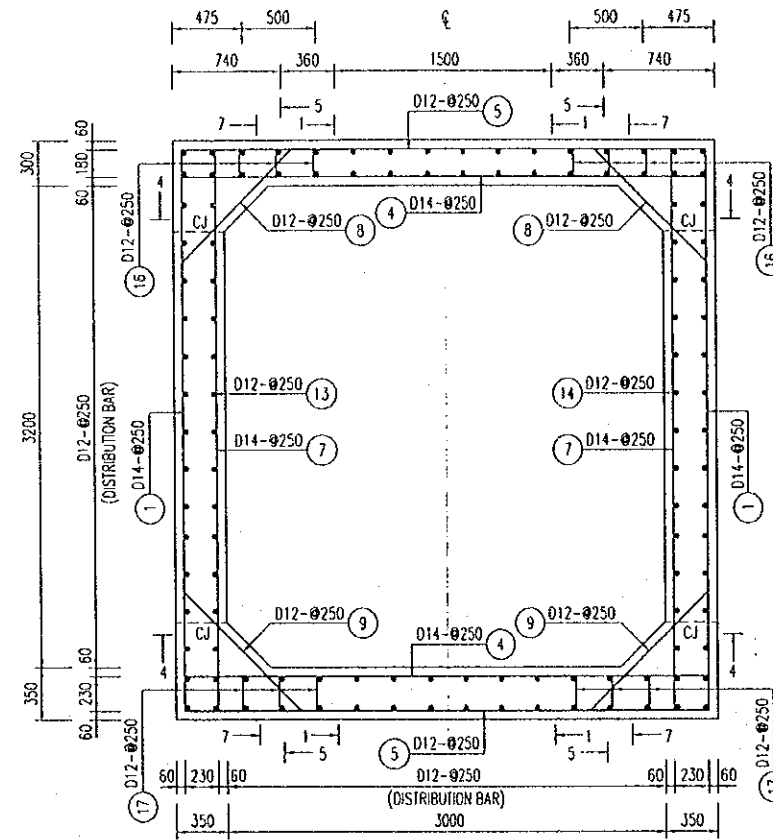
**POSITION OF HOLE**  
(SCALE 1:50)



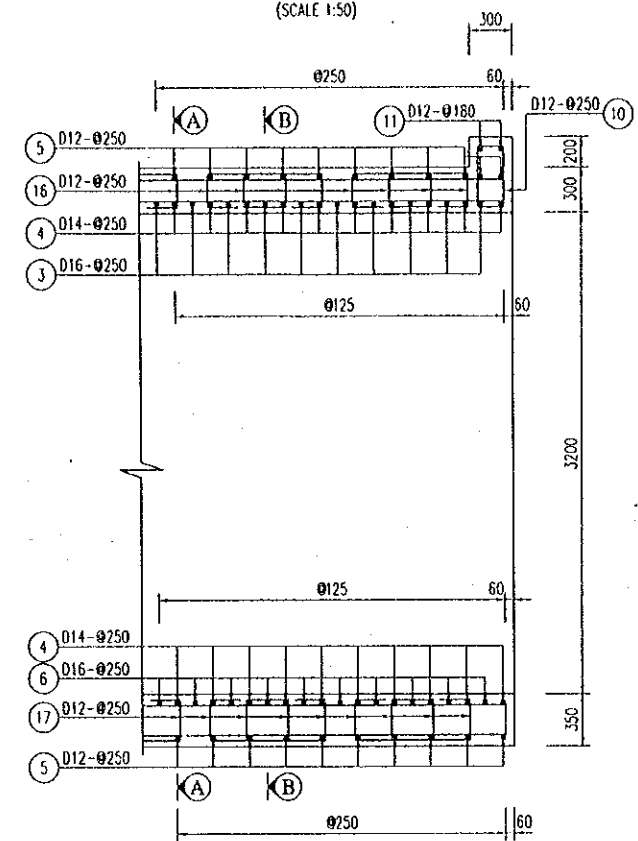
**SECTION B - B**  
(SCALE 1:50)



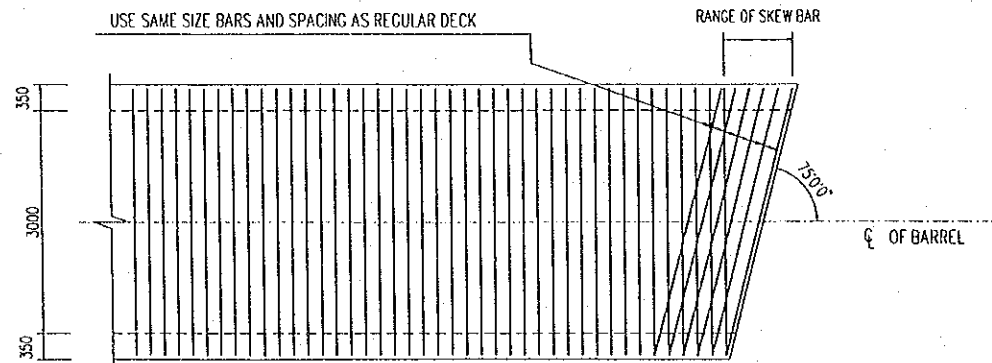
**SECTION A - A**  
(SCALE 1:50)



**THE END OF BARREL**  
(SCALE 1:50)



**PART PLAN**  
(NOT TO SCALE)



**NOTES:**

- 1- ALL DIMENSIONS ARE IN MILLIMETER UNLESS OTHERWISE INDICATED.
- 2- DIRECTION OF CULVERT AND LENGTH OF SEGMENTS SEE GENERAL VIEW DRAWING.

PROJECT NAME	IMPLEMENTATION AGENCY	EXECUTING AGENCY	JICA STUDY TEAM	PREPARED BY	CHECKED BY	APPROVED BY	DRAWING TITLE	DWG NO.
DETAILED DESIGN OF THE CAN THO BRIDGE CONSTRUCTION PROJECT	JICA JAPAN INTERNATIONAL COOPERATION AGENCY (JICA)	SOCIALIST REPUBLIC OF VIET NAM MINISTRY OF TRANSPORT (MOT) MY THUAN PROJECT MANAGEMENT UNIT	(NK) NIPPON KOEI CO.,LTD.	NAME K. Nemoto SIGNATURE <i>K. Nemoto</i> DATE 20/9/2000	NAME K. Nakai SIGNATURE <i>K. Nakai</i> DATE 29/9/2000	NAME K. Enomoto SIGNATURE <i>K. Enomoto</i> DATE 5/10/2000	REINFORCEMENT OF CULVERT STATION 0+369.5 - SHEET 1	P1/BC/0200

QUANTITIES TABLE

SEGMENT 1&4

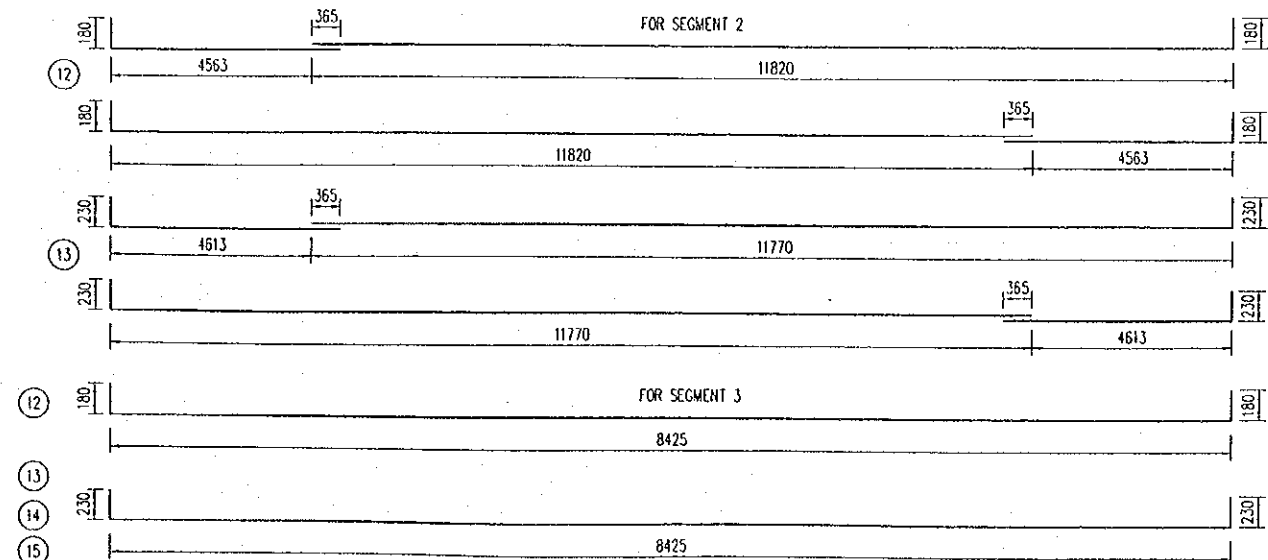
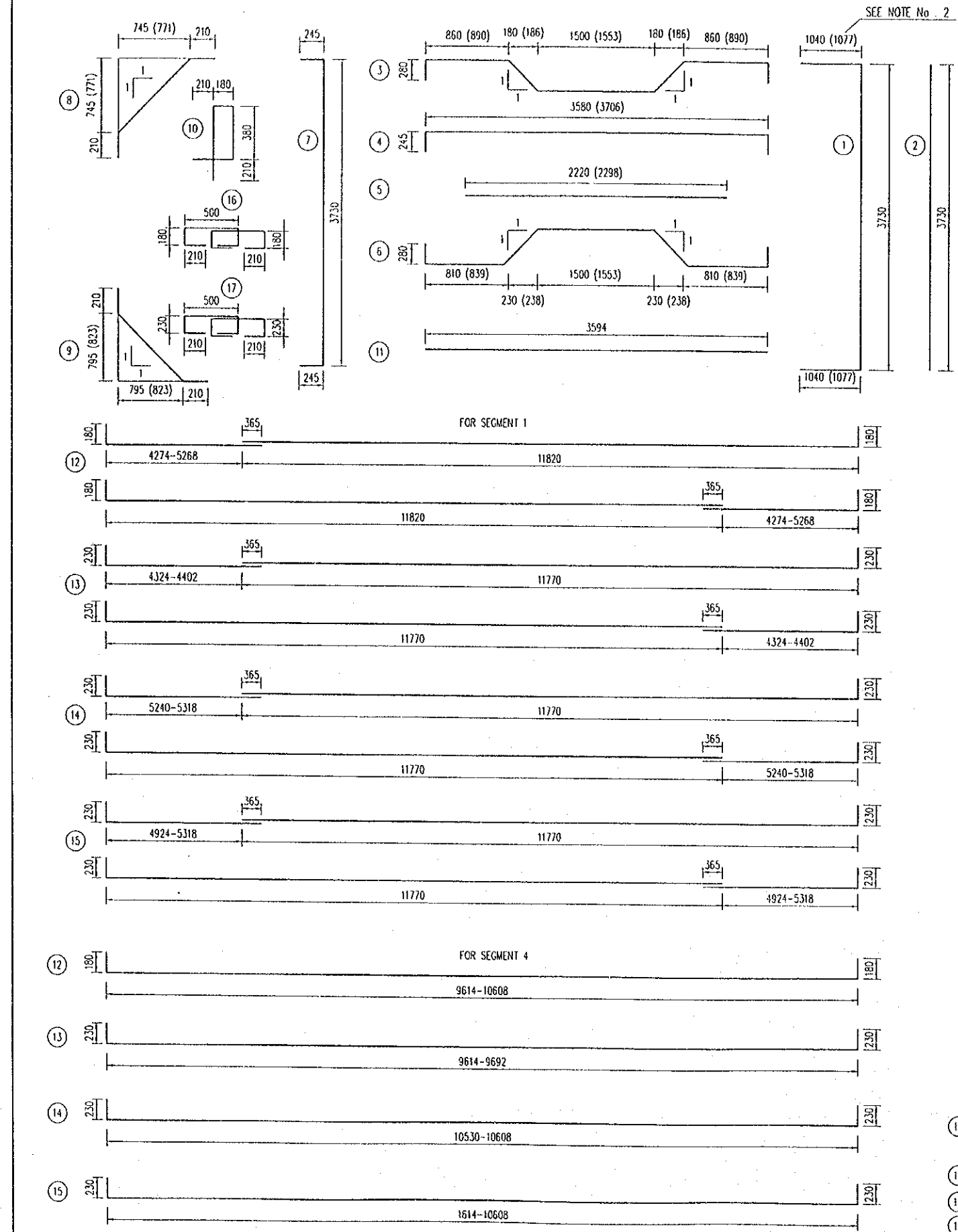
SYMBOL OF BAR	UNIT LENGTH		SPACE	DIAMETER	NUMBER OF BAR		UNIT WEIGHT (kg/m)	TOTAL LENGTH		TOTAL WEIGHT	
	SEGMENT 1	SEGMENT 4			SEGMENT 1	SEGMENT 4		SEGMENT 1	SEGMENT 4	SEGMENT 1	SEGMENT 4
	(mm)	(mm)			(m)	(m)		(kg)	(kg)		
1	a	5810	250	14	130	78	1.208	755.30	453.18	912.7	547.6
	b	5883	250	14	5	5	1.208	29.42	29.42	35.5	35.5
2	a	3730	250	12	128	76	0.888	477.44	283.48	423.9	251.7
	b	4289	250	16	64	38	1.578	274.50	162.99	433.3	257.2
3	a	4402	250	16	4	4	1.578	12.61	12.61	27.8	27.8
	b	4070	250	14	130	78	1.208	529.10	317.46	639.4	383.6
4	a	4196	250	14	5	5	1.208	20.98	20.98	25.4	25.4
	b	2220	250	12	130	78	0.888	288.60	173.16	256.2	153.7
5	a	2298	250	12	10	10	0.888	22.98	22.98	20.4	20.4
	b	4331	250	16	64	38	1.578	277.15	164.56	437.4	259.7
6	a	4442	250	16	4	4	1.578	12.77	12.77	28.0	28.0
	b	4220	250	14	135	83	1.208	569.70	350.26	688.4	423.3
7	a	1474	250	12	130	78	0.888	191.59	114.96	170.1	102.1
	b	1510	250	12	5	5	0.888	7.55	7.55	6.7	6.7
8	a	1545	250	12	130	78	0.888	200.79	120.47	178.3	107.0
	b	1584	250	12	5	5	0.888	7.92	7.92	7.0	7.0
9	a	1540	250	12	16	16	0.888	24.64	24.64	21.9	21.9
	b	3706	250	12	2	2	0.888	7.41	7.41	6.6	6.6
10	a	16951	10471	250	12	32	0.888	542.43	335.07	481.6	297.5
11	a	16593	10113	250	12	26	0.888	431.42	262.94	383.0	233.4
12	a	17509	11029	250	12	26	0.888	455.23	286.75	404.2	254.6
13	a	17051	10571	250	12	32	0.888	545.63	338.27	484.4	300.3
14	a	1280	1280	250	12	201	0.888	257.28	157.44	228.4	139.8
15	a	1380	1380	250	12	201	0.888	277.38	169.74	246.3	150.7
TOTAL FOR SEGMENT 1				CONCRETE : 80.86 M3				REINFORCEMENT : 6546.9 KG			
TOTAL FOR SEGMENT 4				CONCRETE : 49.59 M3				REINFORCEMENT : 4041.5 KG			

SEGMENT 2&3

SYMBOL OF BAR	UNIT LENGTH		SPACE	DIAMETER	NUMBER OF BAR		UNIT WEIGHT (kg/m)	TOTAL LENGTH		TOTAL WEIGHT	
	SEGMENT 2	SEGMENT 3			SEGMENT 2	SEGMENT 3		SEGMENT 2	SEGMENT 3	SEGMENT 2	SEGMENT 3
	(mm)	(mm)			(m)	(m)		(kg)	(kg)		
1	5810	5810	250	14	134	70	1.208	778.54	406.70	940.8	491.5
2	3730	3730	250	12	132	68	0.888	492.36	253.64	437.1	225.2
3	4289	4289	250	16	66	34	1.578	283.07	145.83	446.8	230.2
4	4070	4070	250	14	134	70	1.208	545.38	284.90	659.0	344.3
5	2220	2220	250	12	134	70	0.888	297.48	155.40	264.1	138.0
6	4331	4331	250	16	66	34	1.578	285.85	147.25	451.2	232.4
7	4220	4220	250	14	134	70	1.208	565.48	295.40	683.3	357.0
8	1474	1474	250	12	134	70	0.888	197.46	103.15	175.3	91.6
9	1544	1544	250	12	134	70	0.888	206.94	108.10	183.7	96.0
12	17108	8785	250	12	32	32	0.888	547.46	281.12	486.0	249.6
13	17208	8885	250	12	26	26	0.888	447.41	231.01	397.2	205.1
14	17208	8885	250	12	26	26	0.888	447.41	231.01	397.2	205.1
15	17208	8885	250	12	32	32	0.888	550.66	284.32	488.9	252.4
16	1280	1280	250	12	198	103	0.888	253.44	131.84	225.0	117.0
17	1380	1380	250	12	198	103	0.888	273.24	142.14	242.6	126.2
TOTAL FOR SEGMENT 2				CONCRETE : 79.63 M3				REINFORCEMENT : 6478.3 KG			
TOTAL FOR SEGMENT 3				CONCRETE : 41.23 M3				REINFORCEMENT : 3361.4 KG			
TOTAL FOR THE WHOLE OF CULVERT				CONCRETE : 251.31 M3				REINFORCEMENT : 20428.2 KG			

NOTES :

- 1- ALL DIMENSIONS ARE IN MILLIMETER UNLESS OTHERWISE INDICATED.
- 2- THE VALUE IN PARENTHESIS ARE USED FOR SKEW BARS AT THE ENDS OF CULVERT.
- 3- THE SKEW BARS ARE NOTATED BY CHARACTER "b" IN THE QUANTITIES TABLE.
- 4- DIRECTION OF CULVERT AND LENGTH OF SEGMENT SEE GENERAL VIEW DRAWING.

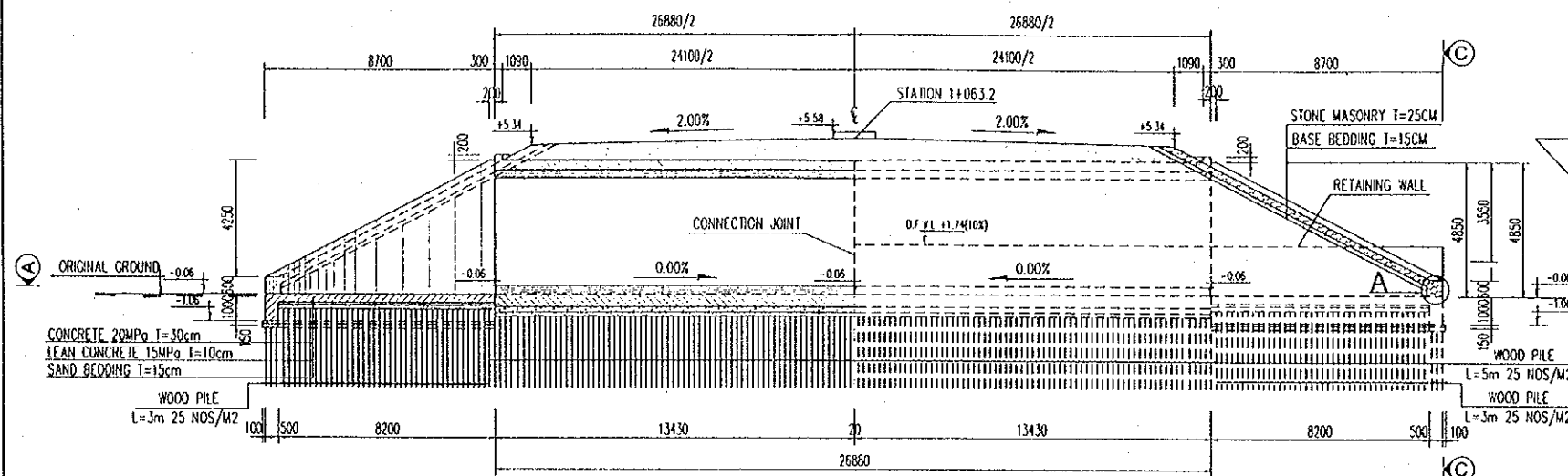


PROJECT NAME		IMPLEMENTATION AGENCY		EXECUTING AGENCY		JICA STUDY TEAM		PREPARED BY		CHECKED BY		APPROVED BY		DRAWING TITLE		DWG NO.	
DETAILED DESIGN OF THE CAN THO BRIDGE CONSTRUCTION PROJECT		JICA JAPAN INTERNATIONAL COOPERATION AGENCY (JICA)		SOCIALIST REPUBLIC OF VIET NAM MINISTRY OF TRANSPORT (MOT) MY THUAN PROJECT MANAGEMENT UNIT		NIPON KOEI CO.,LTD.		K. Nemoto		K. Nakai		K. Enomoto		REINFORCEMENT OF CULVERT STATION 0+369.5 - SHEET 2		PI/BC/0210	
								20/9/2000		29/9/2000		5/10/2000					

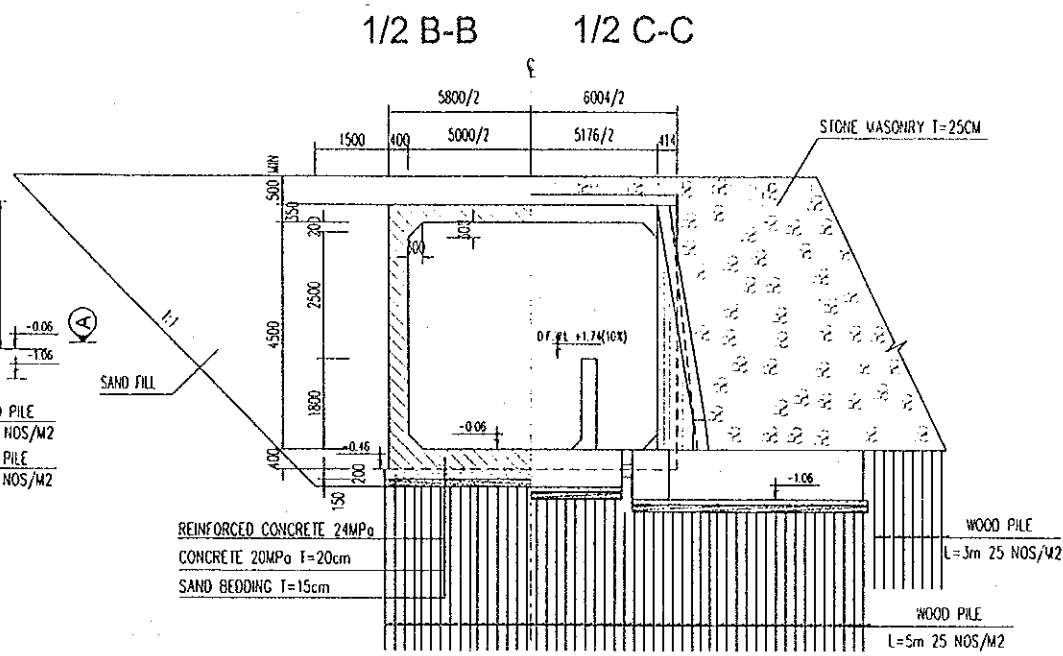
D:\project\CANTHO 2-9-2000\P1-DRAINAGE SYSTEM\P1-BC-0220.dwg Thu Aug 31 09:41:41 2000 TRAN TRONG AN

### BOX CULVERT FOR PATH & DRAINAGE (STATION 1+063.2)

**PROFILE**  
SCALE 1:250

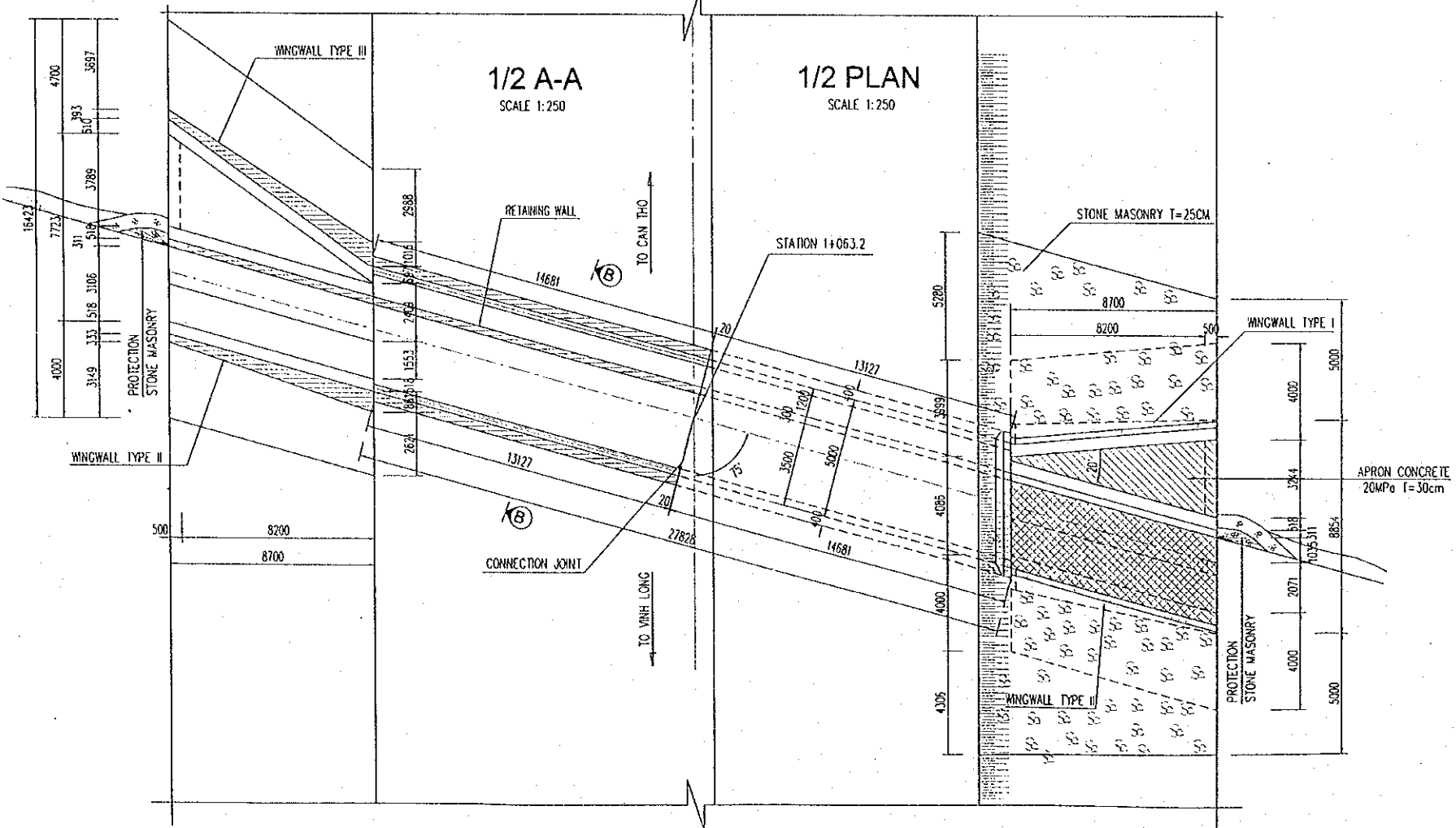


**SECTION**  
SCALE 1:150

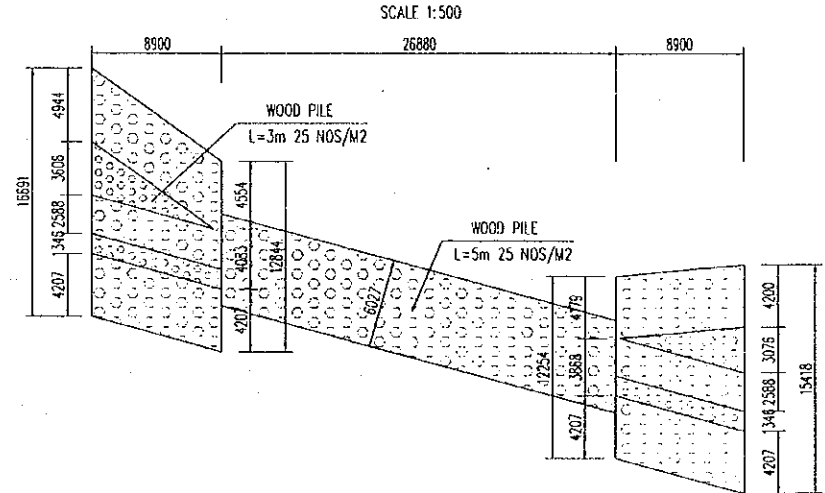


**1/2 A-A**  
SCALE 1:250

**1/2 PLAN**  
SCALE 1:250

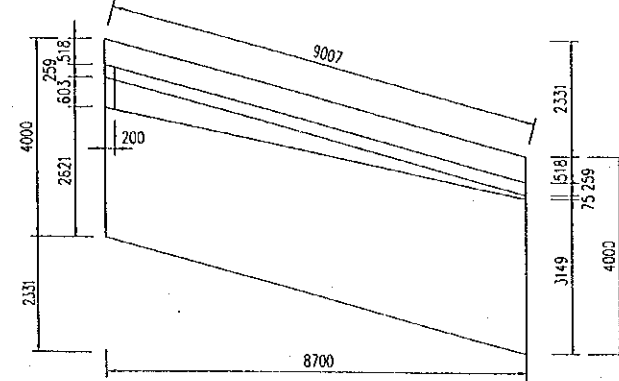
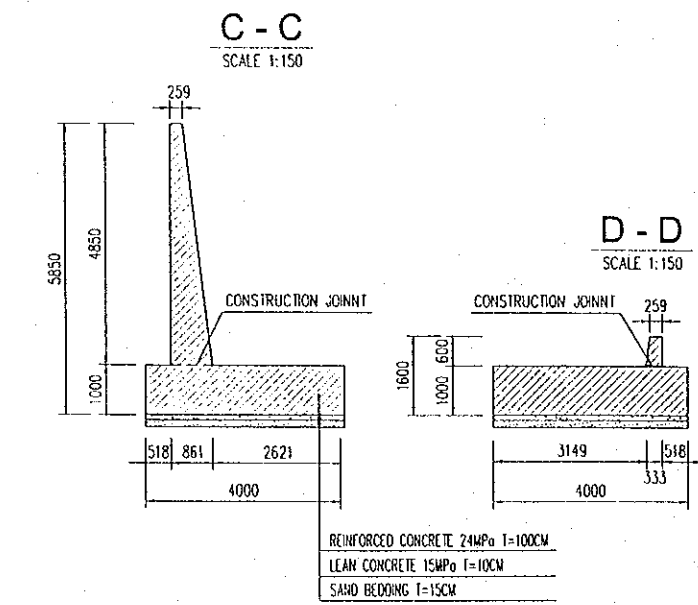
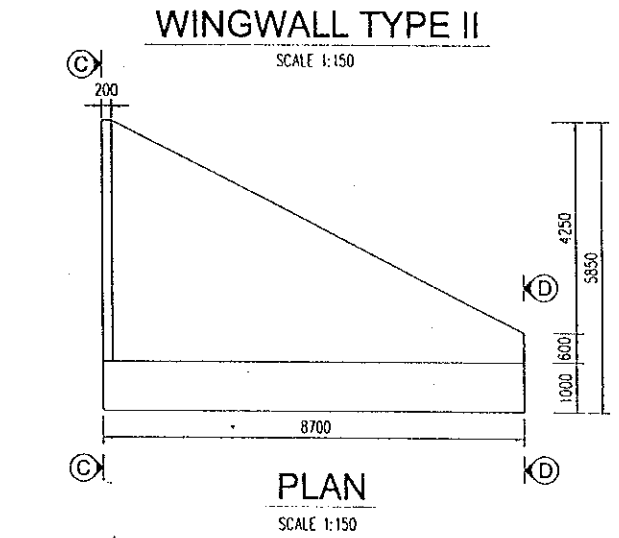
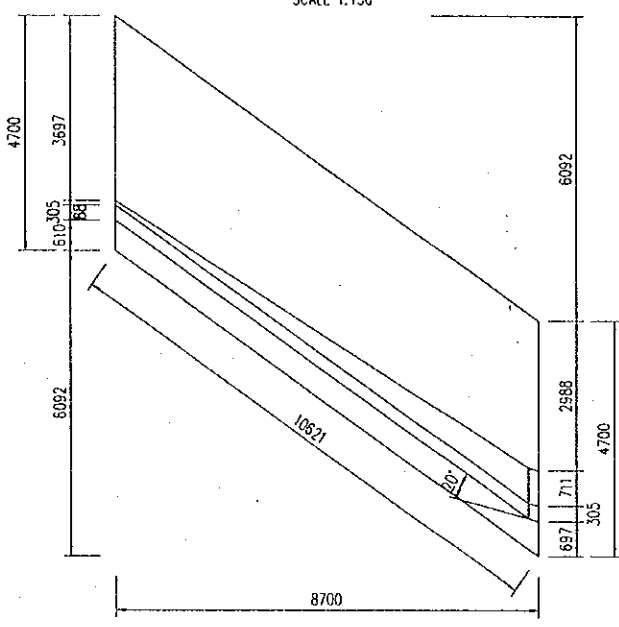
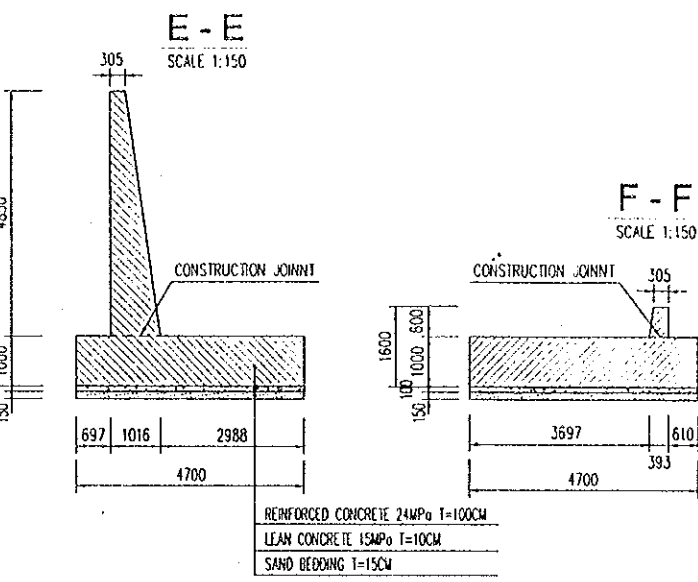
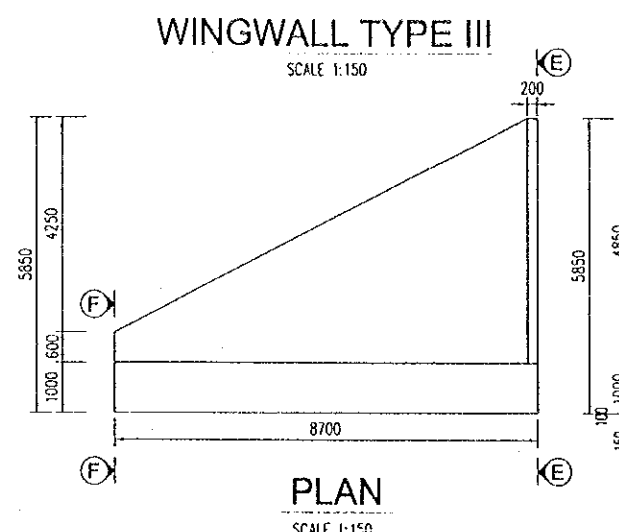
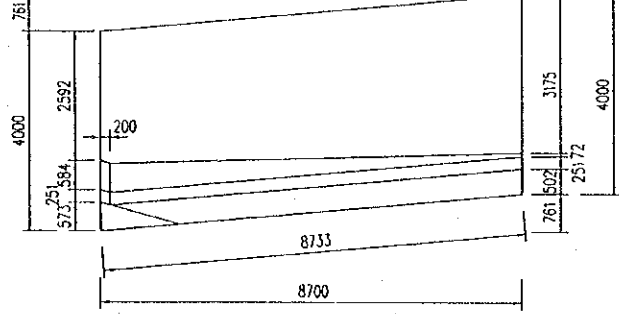
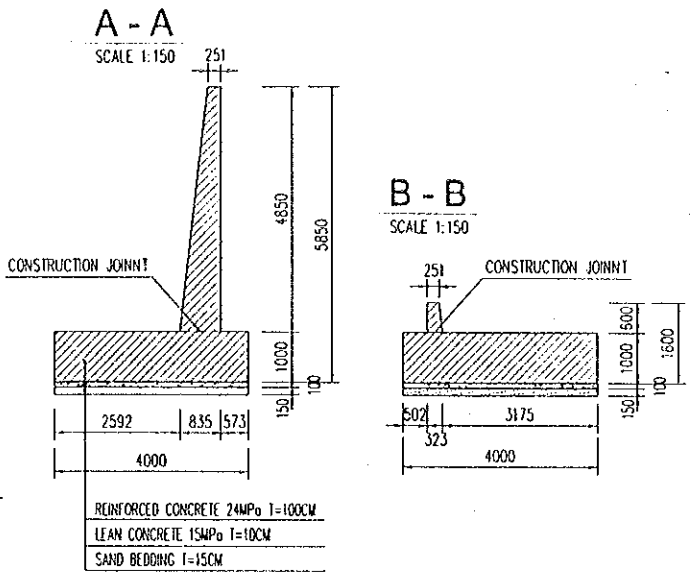
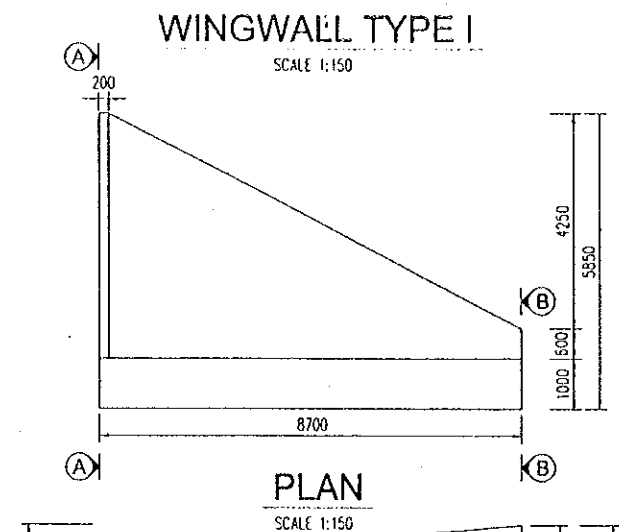


**PLAN LAYOUT OF WOOD PILE**  
SCALE 1:500



- NOTES:
- 1- ALL DIMENSIONS ARE IN MILLIMETER UNLESS OTHERWISE INDICATED.
  - 2- ELEVATIONS ARE IN METERS IN REFERENCE TO THE NATIONAL DATUM LEVEL.
  - 3- DETAIL A IS SHOWN IN THE DOCUMENT OF APPROACH ROAD - DRAWING No P1/MS/0180.

<b>PROJECT NAME</b> DETAILED DESIGN OF THE CAN THO BRIDGE CONSTRUCTION PROJECT	<b>IMPLEMENTATION AGENCY</b> JICA JAPAN INTERNATIONAL COOPERATION AGENCY (JICA)	<b>EXECUTING AGENCY</b> SOCIALIST REPUBLIC OF VIET NAM MINISTRY OF TRANSPORT (MOT) MY THUAN PROJECT MANAGEMENT UNIT	<b>JICA STUDY TEAM</b> NIPPON KOEI CO.,LTD.	<b>PREPARED BY</b> NAME: K. Nemoto SIGNATURE: <i>K. Nemoto</i> DATE: 20/9/2000	<b>CHECKED BY</b> K. Nakai 29/9/2000	<b>APPROVED BY</b> K. Enomoto 5/10/2000	<b>DRAWING TITLE</b> GENERAL VIEW OF BOX CULVERT STATION 1 + 063.20	<b>DWG NO.</b> P1/BC/0220
---	---	--	--	---	--	---	---	------------------------------



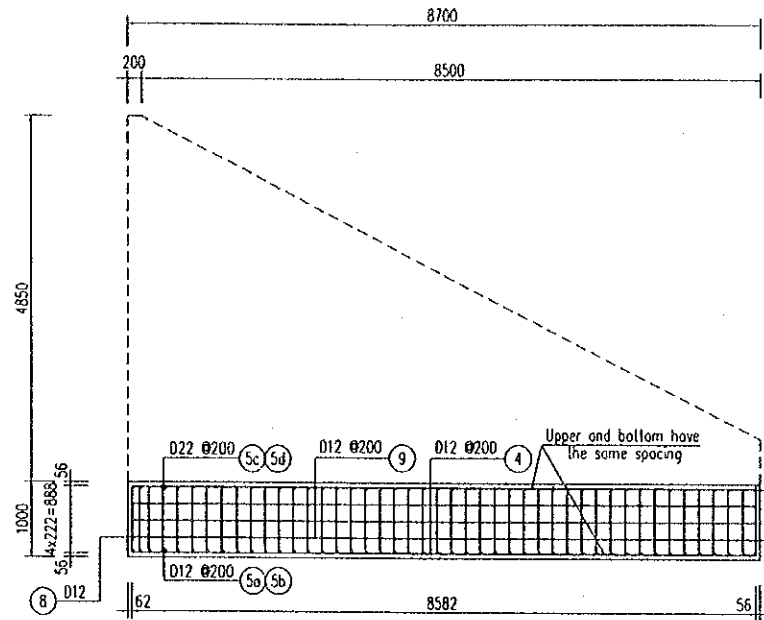
**NOTE:**  
1- ALL DIMENSIONS ARE IN MILLIMETER UNLESS OTHERWISE INDICATED.  
2- POSITION OF WING WALL SEE GENERAL VIEW DRAWING.

PROJECT NAME DETAILED DESIGN OF THE CAN THO BRIDGE CONSTRUCTION PROJECT	IMPLEMENTATION AGENCY <b>JICA</b> JAPAN INTERNATIONAL COOPERATION AGENCY (JICA)	EXECUTING AGENCY SOCIALIST REPUBLIC OF VIET NAM MINISTRY OF TRANSPORT (MOT) MY THUAN PROJECT MANAGEMENT UNIT	JICA STUDY TEAM NIPPON KOEI CO.,LTD.	PREPARED BY NAME SIGNATURE DATE	CHECKED BY K. Nakai DATE 29/9/2000	APPROVED BY K. Enomoto DATE 5/10/2000	DRAWING TITLE GENERAL VIEW OF WING WALL STATION I+063.20	DWG NO. P1/BC/0230
--	---	---	---	--	---	--	---	-----------------------

\\an\cantho\_9-200\Drawings4\P1-Vinh long side\P1-BC-0240.dwg Fri Sep 01 14:32:52.2000 DRAWN BY ANH DUNG

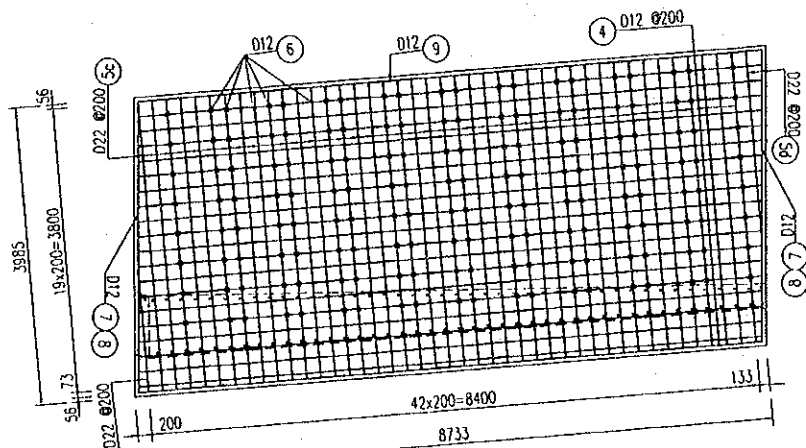
### REINFORCEMENT OF FOOTING

SCALE 1:100



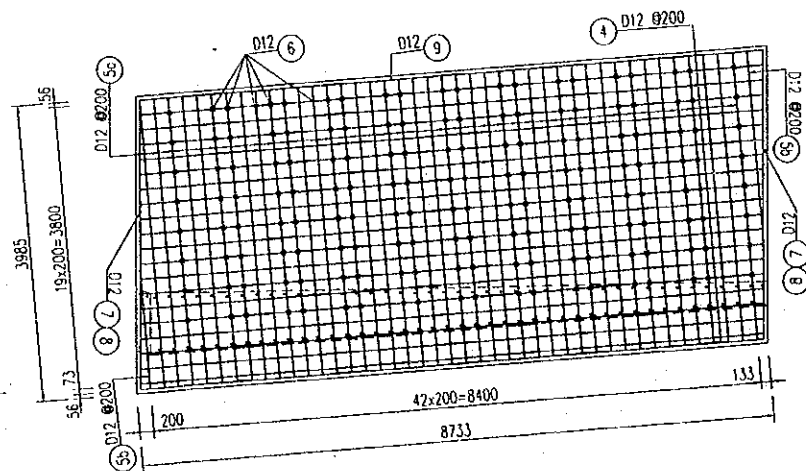
### TOP REINFORCEMENT

SCALE 1:100



### BOTTOM REINFORCEMENT

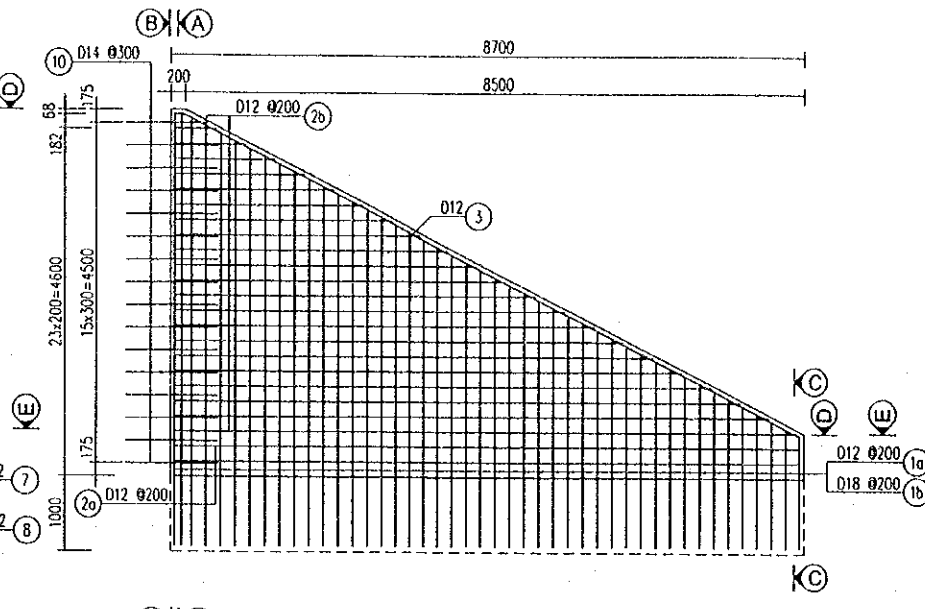
SCALE 1:100



NOTES:  
 1- ALL DIMENSIONS ARE IN MILLIMETER UNLESS OTHERWISE INDICATED.  
 2- THIS QUANTITIES TABLE IS ONLY CALCULATED FOR ONE WING WALL.

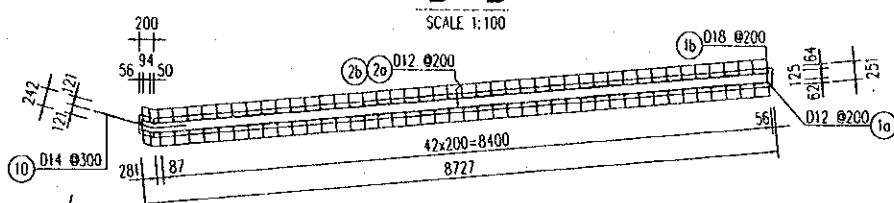
### REINFORCEMENT OF WINGWALL TYPE I

SCALE 1:100



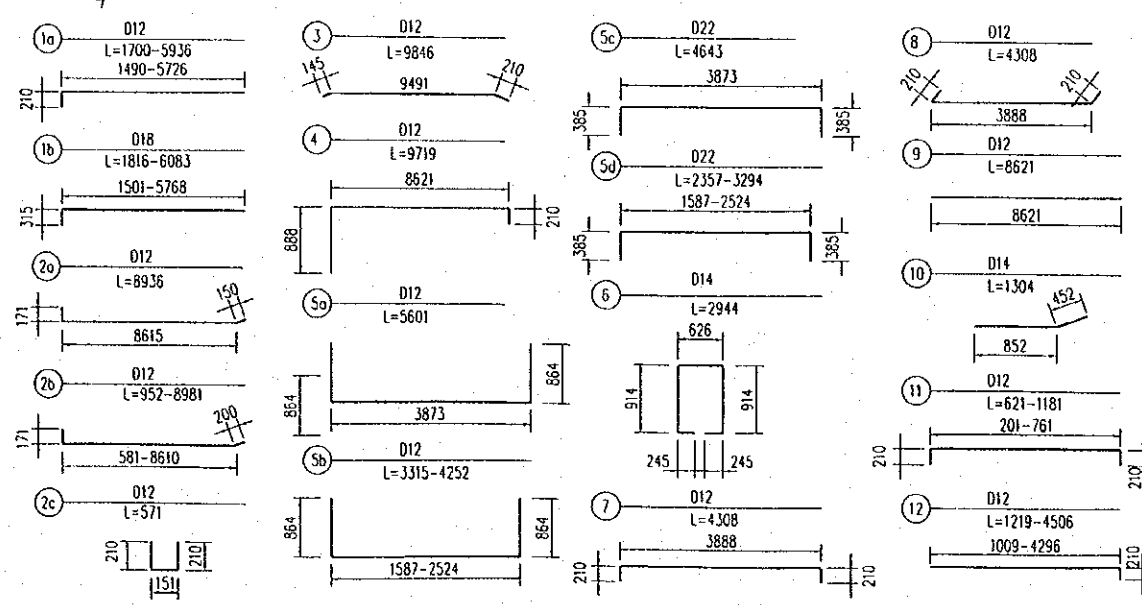
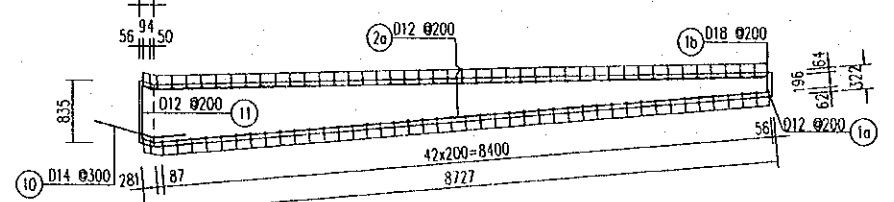
### D - D

SCALE 1:100



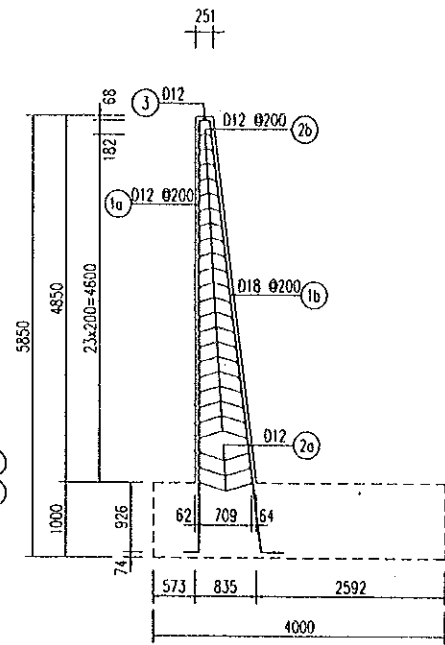
### E - E

SCALE 1:100



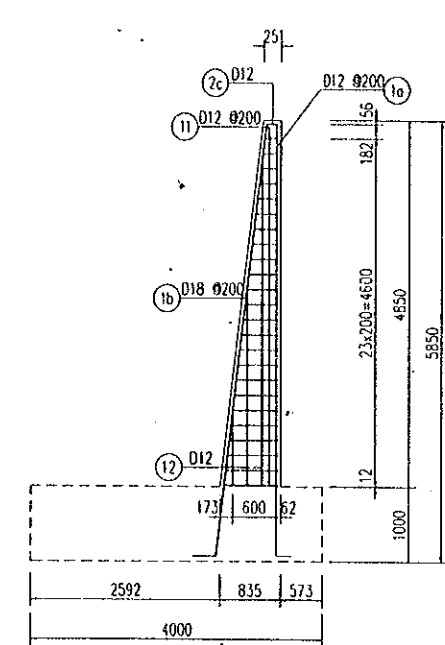
### A - A

SCALE 1:100



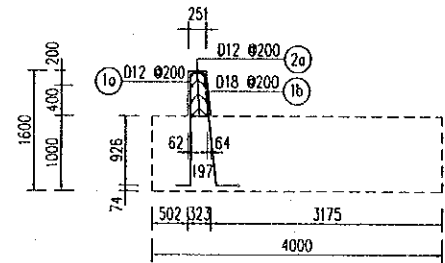
### B - B

SCALE 1:100



### C - C

SCALE 1:100



### QUANTITIES TABLE

BAR MARK	UNIT LENGTH (MM)	DIAMETER (MM)	NUMBER OF BAR	UNIT WEIGHT (KG/M)	TOTAL LENGTH (M)	TOTAL WEIGHT (KG)
1a	3818	12	45	0.888	171.8	152.5
1b	3950	18	45	1.998	177.7	355.0
2a	8936	12	6	0.888	53.6	47.6
2b	4967	12	42	0.888	208.6	185.2
2c	571	12	45	0.888	25.7	22.8
3	9846	12	2	0.888	19.7	17.5
4	9719	12	42	0.888	408.2	362.4
5a	5601	12	42	0.888	235.2	208.9
5b	3784	12	2	0.888	7.6	6.7
5c	4643	22	42	2.984	195.0	581.9
5d	2826	22	2	2.984	5.7	16.9
6	2944	14	90	1.208	265.0	320.2
7	4308	12	4	0.888	17.2	15.3
8	4308	12	6	0.888	25.8	22.9
9	8621	12	6	0.888	51.7	45.9
10	1304	14	16	1.208	20.9	25.2
11	901	12	24	0.888	21.6	19.2
12	2853	12	3	0.888	8.6	7.6
CONCRETE				44.89 M3		
REINFORCEMENT				D<=14	1460.0 KG	
REINFORCEMENT				14< D<=25	953.8 KG	
TOTAL REINFORCEMENT					2413.8 KG	

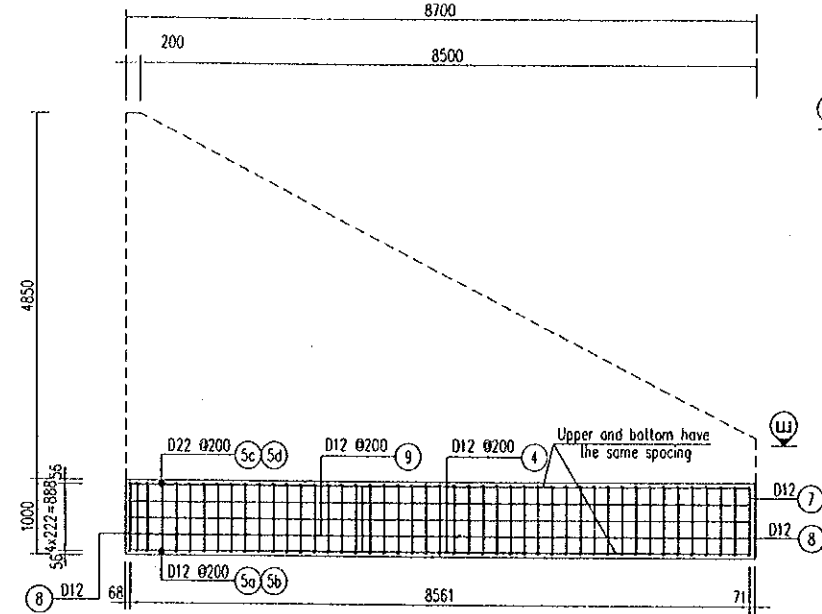
PROJECT NAME DETAILED DESIGN OF THE CAN THO BRIDGE CONSTRUCTION PROJECT	IMPLEMENTATION AGENCY JICA JAPAN INTERNATIONAL COOPERATION AGENCY (JICA)	EXECUTING AGENCY SOCIALIST REPUBLIC OF VIET NAM MINISTRY OF TRANSPORT (MOT) MY THUAN PROJECT MANAGEMENT UNIT	JICA STUDY TEAM NIPPON KOEI CO.,LTD.	PREPARED BY K. Nemoto	CHECKED BY K. Nakai	APPROVED BY K. Enomoto	DRAWING TITLE REINFORCEMENT OF WING WALL TYPE I STATION 1+063.20	DWG NO. P1/BC/0240
				NAME K. Nemoto	NAME K. Nakai	NAME K. Enomoto		
				SIGNATURE [Signature]	SIGNATURE [Signature]	SIGNATURE [Signature]		
				DATE 20/9/2000	DATE 29/9/2000	DATE 5/10/2000		



\\an\canto 9-200\Drawings4\P1-Vinh long side\P1-BC-0250.dwg Fri Sep 01 14:36:56 2000 DRAWN BY ANH DUNG

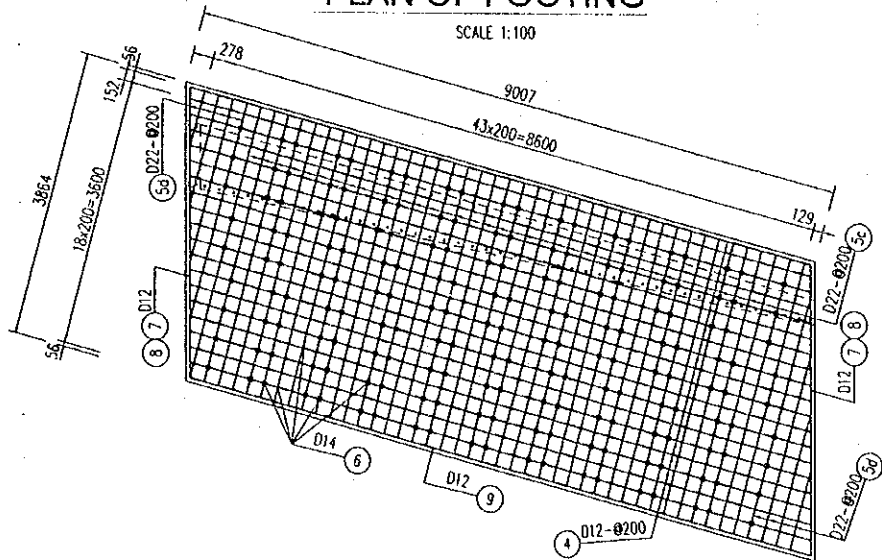
### RIENFORCEMENT OF FOOTING

SCALE 1:100



PLAN OF FOOTING

SCALE 1:100

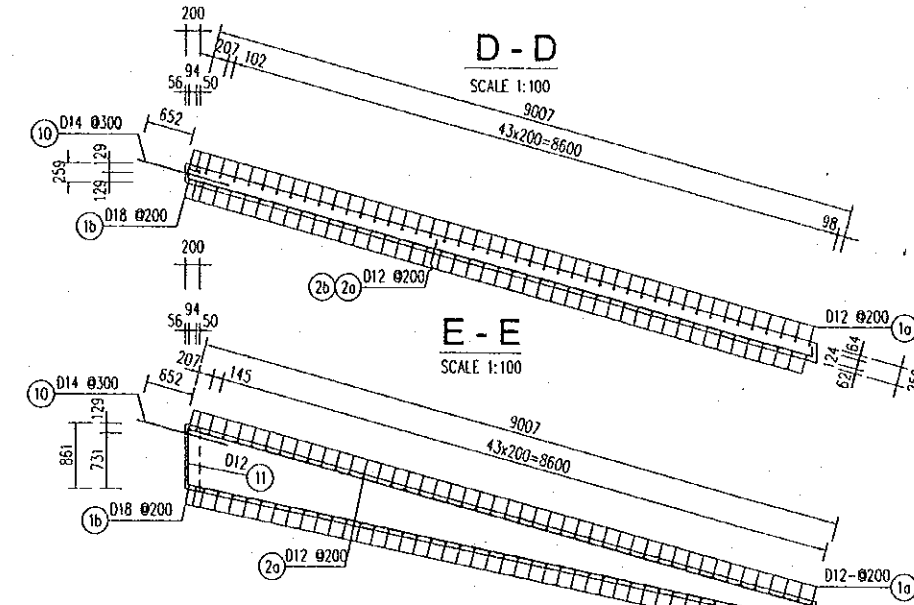
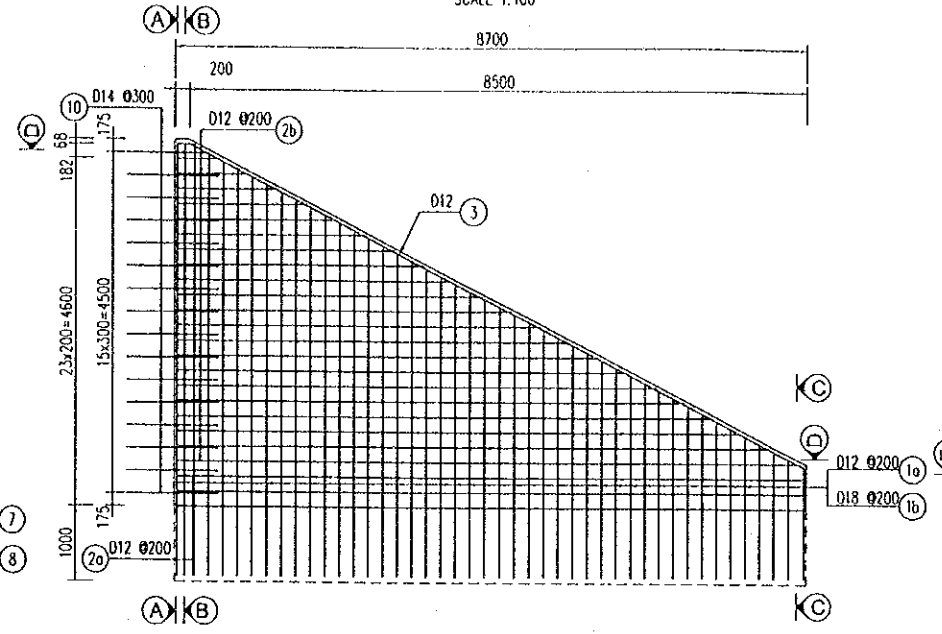


PLAN OF FOOTING

SCALE 1:100

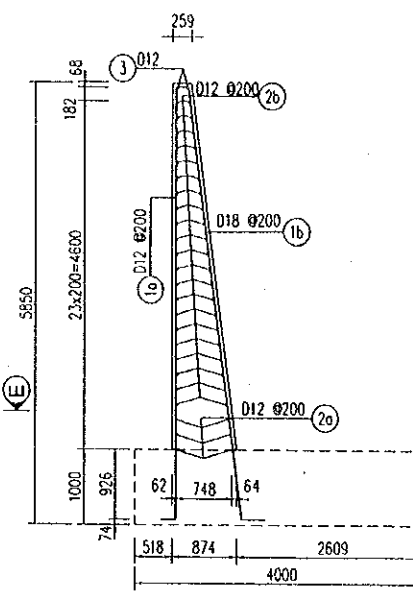
### RIENFORCEMENT OF WINGWALL TYPE II

SCALE 1:100



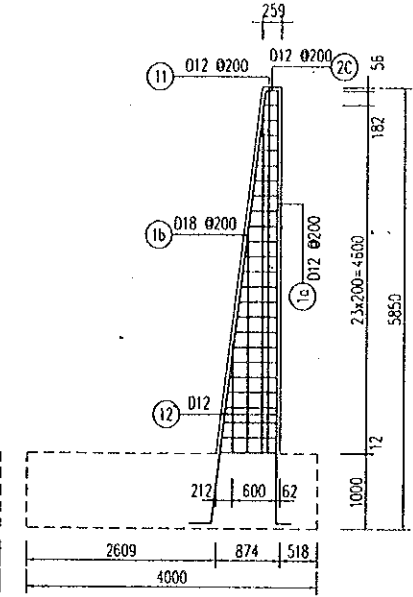
### A - A

SCALE 1:100



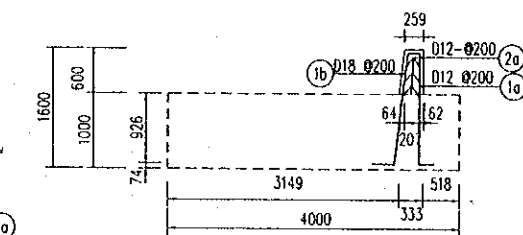
### B - B

SCALE 1:100



C - C

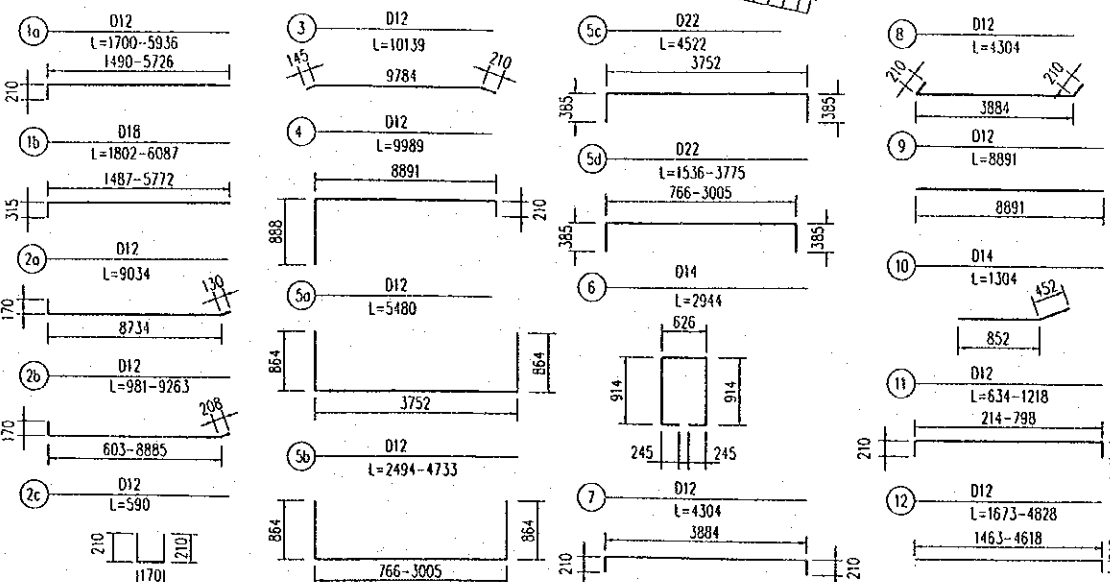
SCALE 1:100



### QUANTITIES TABLE

BAR MARK	UNIT LENGTH (MM)	DIAMETER (MM)	NUMBER OF BAR	UNIT WEIGHT (KG/M)	TOTAL LENGTH (M)	TOTAL WEIGHT (KG)
1a	3818	12	46	0.888	175.6	155.9
1b	3945	18	46	1.998	181.4	362.5
2a	9034	12	6	0.888	54.2	48.1
2b	5122	12	42	0.888	215.1	191.0
2c	590	12	46	0.888	27.1	24.1
3	10139	12	2	0.888	20.3	18.0
4	9989	12	40	0.888	399.6	354.7
5a	5480	12	40	0.888	219.2	194.6
5b	3614	12	8	0.888	28.9	25.7
5c	4522	22	40	2.984	180.9	539.8
5d	2656	22	8	2.984	21.2	63.4
6	2944	14	90	1.208	265.0	320.2
7	4304	12	4	0.888	17.2	15.3
8	4304	12	6	0.888	25.8	22.9
9	8891	12	6	0.888	53.3	47.4
10	1304	14	16	1.208	20.9	25.2
11	926	12	24	0.888	22.2	19.7
12	3251	12	3	0.888	9.8	8.7
CONCRETE	44.85					
			REINFORCEMENT	D<=14	14715.5	14715.5
			REINFORCEMENT	14< D<=25	965.6	965.6
			TOTAL REINFORCEMENT :		24371.1	24371.1

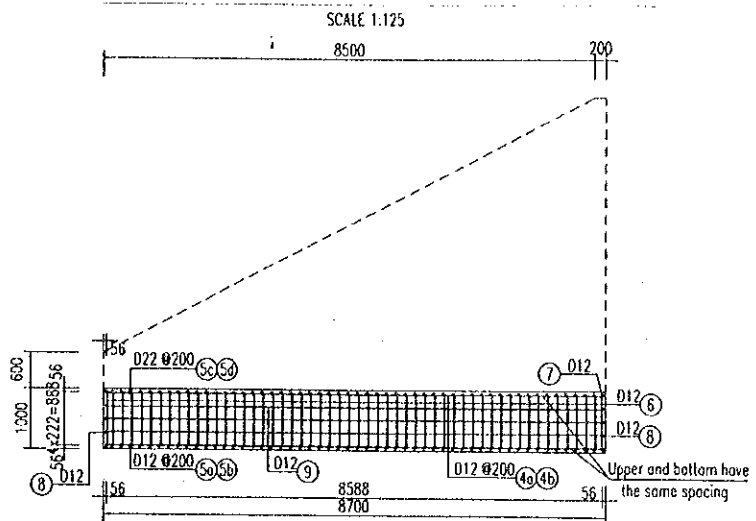
NOTES:  
1- ALL DIMENSIONS ARE IN MILLIMETER UNLESS OTHERWISE INDICATED.  
2- THIS QUANTITIES TABLE IS ONLY CALCULATED FOR ONE WING WALL.



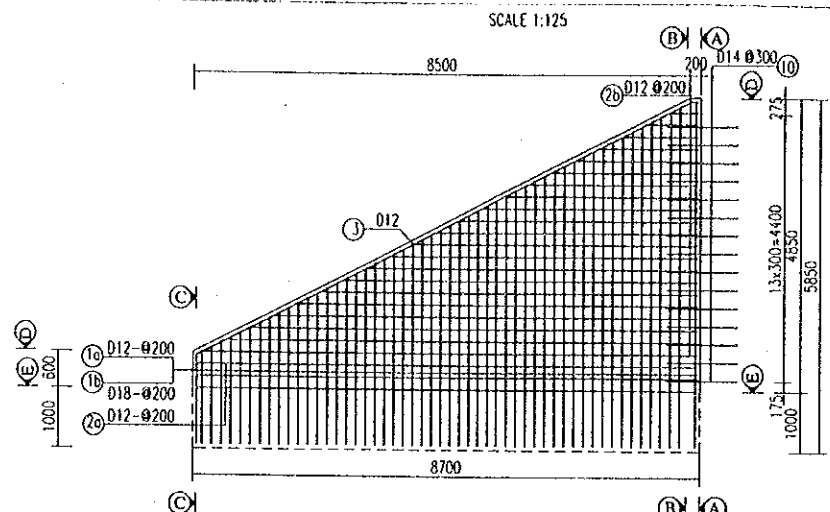
PROJECT NAME	IMPLEMENTATION AGENCY	EXECUTING AGENCY	JICA STUDY TEAM	PREPARED BY	CHECKED BY	APPROVED BY	DRAWING TITLE	DWG NO.
DETAILED DESIGN OF THE CAN THO BRIDGE CONSTRUCTION PROJECT	JICA JAPAN INTERNATIONAL COOPERATION AGENCY (JICA)	SOCIALIST REPUBLIC OF VIET NAM MINISTRY OF TRANSPORT (MOT) MY THUAN PROJECT MANAGEMENT UNIT	(NK) NIPPON KOEI CO., LTD.	K. Nemoto	K. Nakai	K. Enomoto	REINFORCEMENT OF WING WALL TYPE II STATION I+063.20	P1/BC/0250
				DATE: 20/9/2000	DATE: 29/9/2000	DATE: 5/10/2000		

\\An\cantho 9-200\Drawings4\P1-Vinh long side\P1-BC-0260.dwg Fri Sep 01 14:40:37 2000 DRAWN BY ANH DUNG

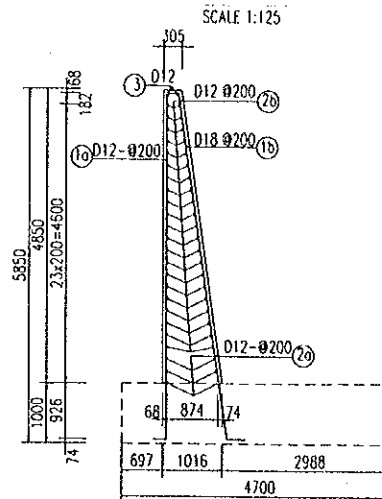
### REINFORCEMENT OF FOOTING



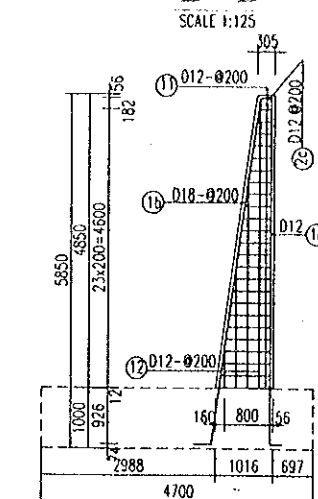
### REINFORCEMENT OF WING WALL TYPE III



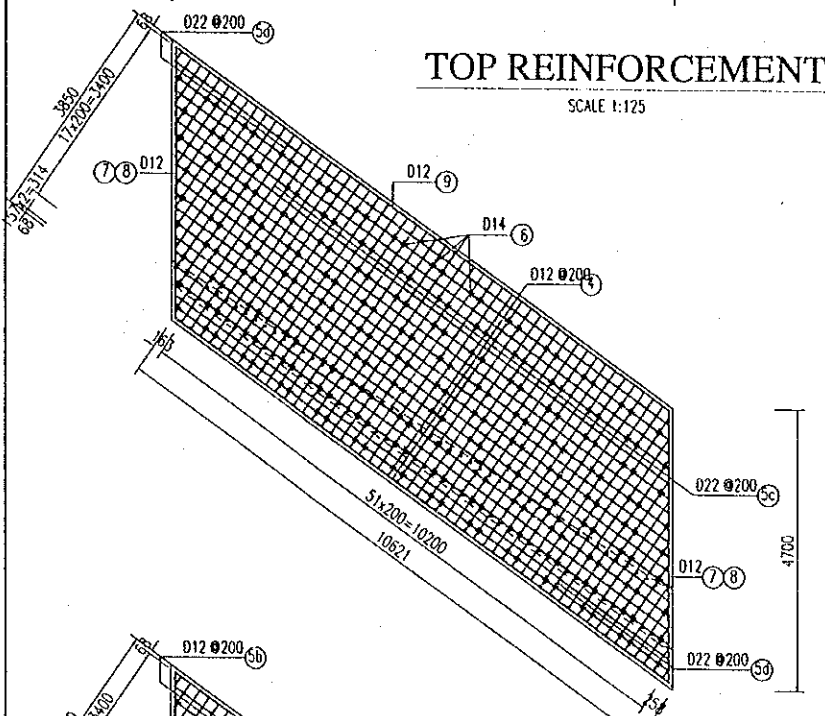
#### A - A



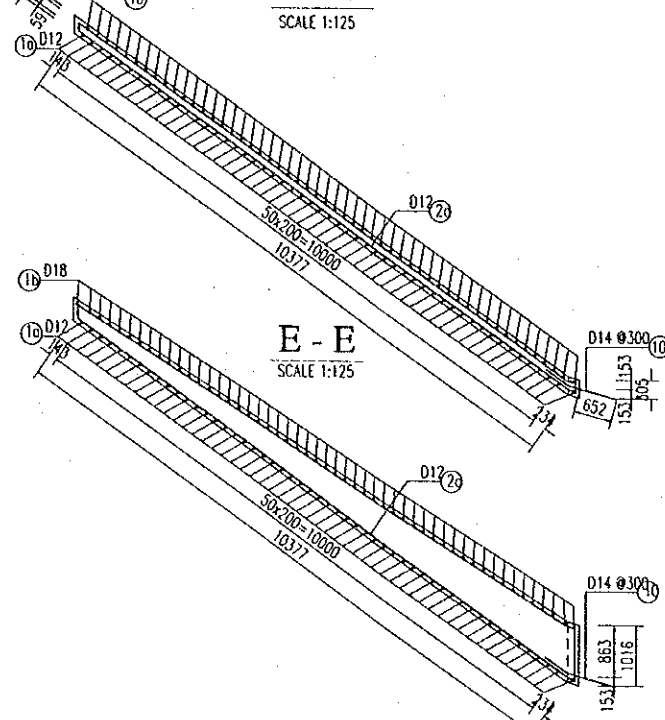
#### B - B



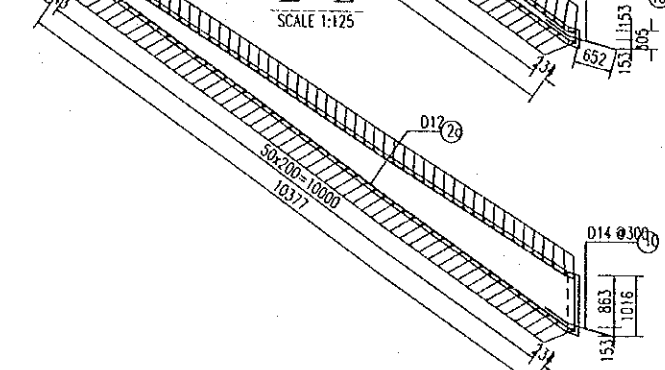
### TOP REINFORCEMENT



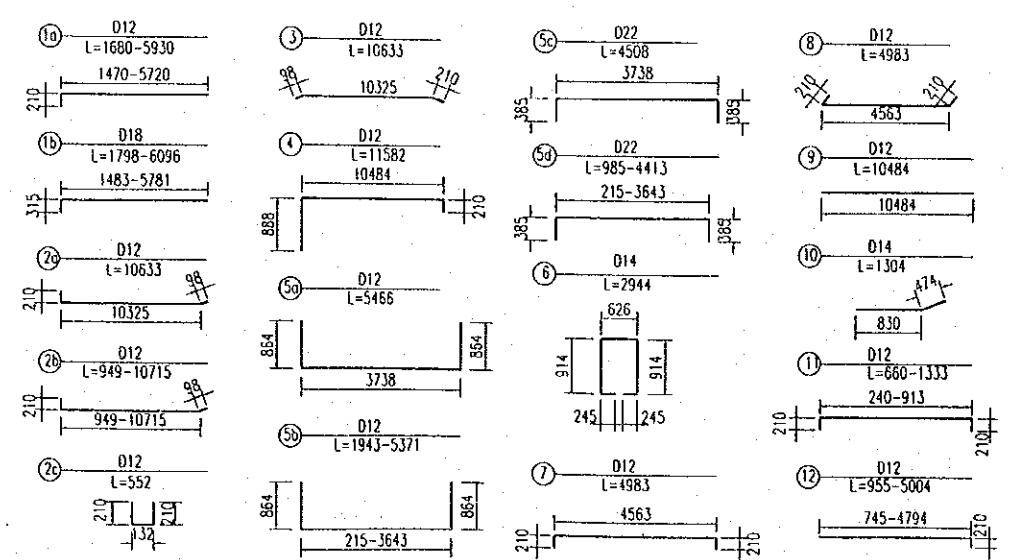
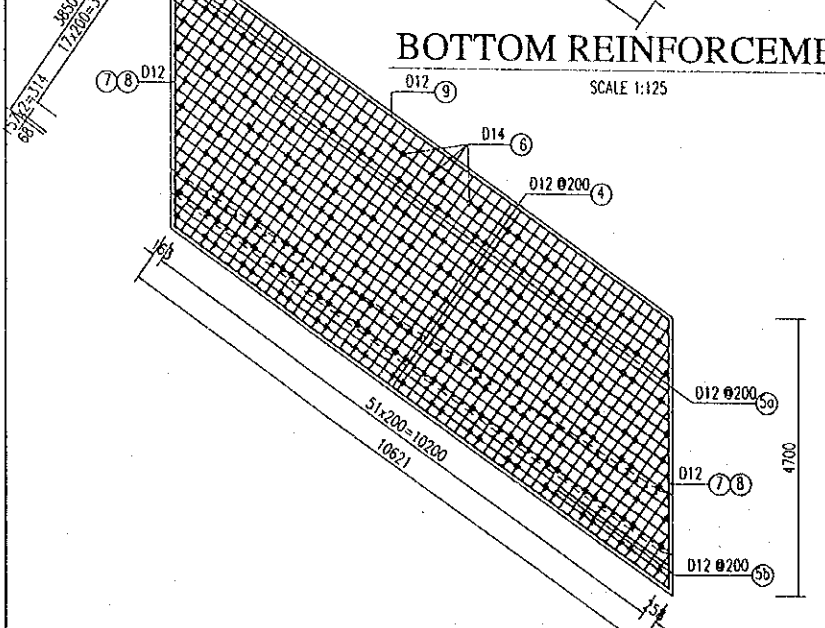
#### D - D



#### E - E



### BOTTOM REINFORCEMENT



### QUANTITIES TABLE

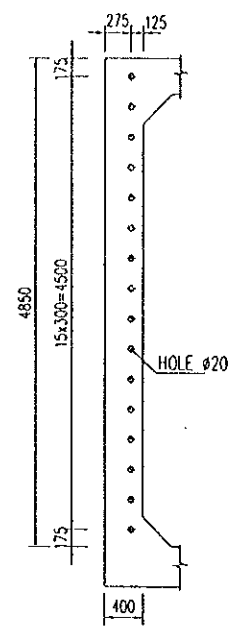
BAR MARK	UNIT LENGTH (MM)	DIAMETER (MM)	NUMBER OF BAR	UNIT WEIGHT (KG/M)	TOTAL LENGTH (M)	TOTAL WEIGHT (KG)
1a	3805	12	52	0.888	197.9	175.7
1b	3947	18	52	1.998	205.2	410.0
2a	10633	12	6	0.888	63.8	56.6
2b	5832	12	42	0.888	244.9	217.5
2c	552	12	52	0.888	28.7	25.5
3	10633	12	2	0.888	21.3	18.9
4	11582	12	40	0.888	463.3	411.3
5a	5466	12	39	0.888	213.2	189.3
5b	3657	12	26	0.888	95.1	84.4
5c	4508	22	39	2.984	175.8	524.6
5d	2699	22	26	2.984	70.2	209.4
6	2944	14	117	1.208	344.4	416.2
7	4983	12	4	0.888	19.9	17.7
8	4983	12	6	0.888	29.9	26.5
9	10484	12	6	0.888	62.9	55.8
10	1304	14	15	1.208	19.6	23.6
11	997	12	24	0.888	23.9	21.2
12	2980	12	4	0.888	11.9	10.6
CONCRETE	REINFORCEMENT			D < 14	1750.9 KG	
	REINFORCEMENT			14 < D < 25	1144.0 KG	
	TOTAL REINFORCEMENT :				2894.9 KG	

NOTES:  
 1- ALL DIMENSIONS ARE IN MILLIMETER UNLESS OTHERWISE INDICATED.  
 2- THIS DRAWING IS USED FOR ALL WING WALL OF THIS CULVERT.

PROJECT NAME	IMPLEMENTATION AGENCY	EXECUTING AGENCY	JICA STUDY TEAM	PREPARED BY	CHECKED BY	APPROVED BY	DRAWING TITLE	DWG NO.
DETAILED DESIGN OF THE CAN THO BRIDGE CONSTRUCTION PROJECT	JICA JAPAN INTERNATIONAL COOPERATION AGENCY (JICA)	SOCIALIST REPUBLIC OF VIET NAM MINISTRY OF TRANSPORT (MOT) MY THUAN PROJECT MANAGEMENT UNIT	(NK) NIPPON KOEI CO., LTD.	K. Nemoto	K. Nakai	K. Enomoto	REINFORCEMENT OF WING WALL TYPE III STATION I+063.20	P1/BC/0260
				DATE	DATE	DATE		
				20/9/2000	29/9/2000	5/10/2000		

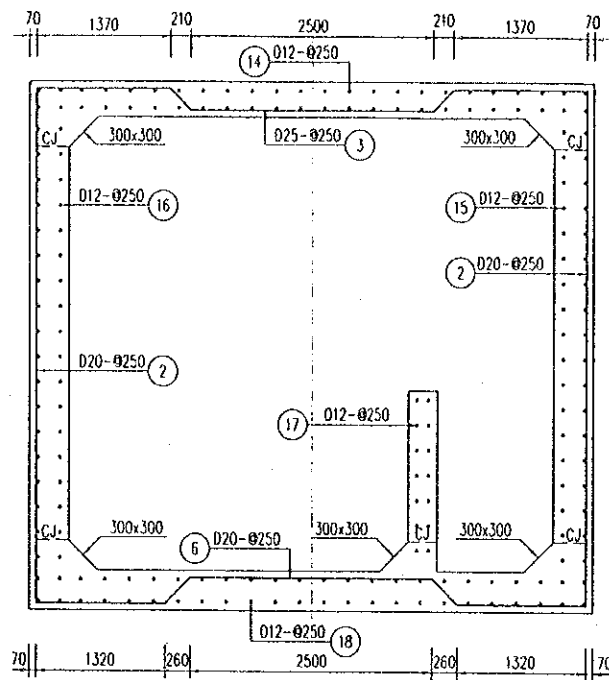
### POSITION OF HOLE

(SCALE 1:75)



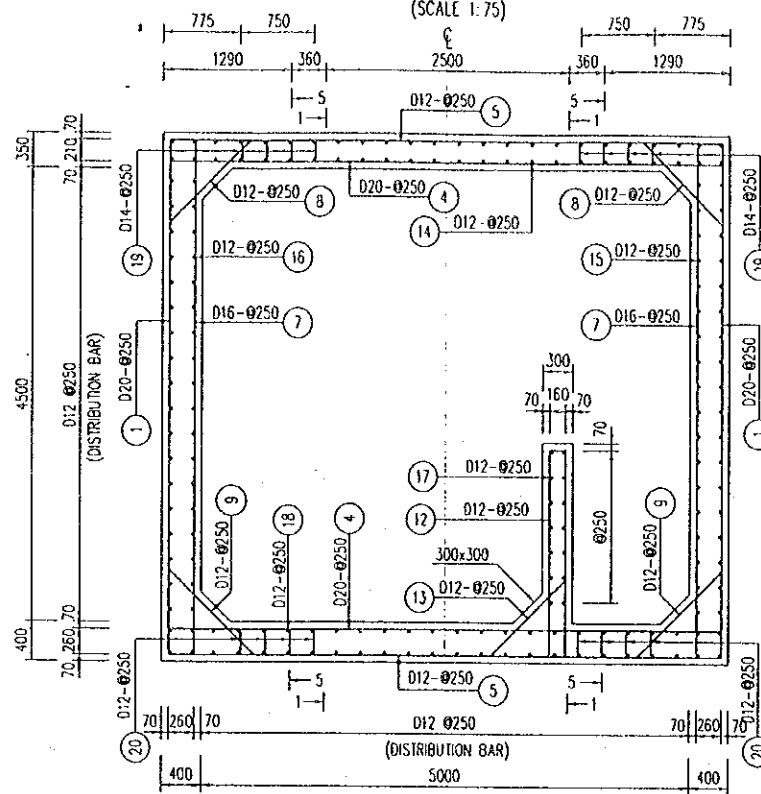
### SECTION B - B

(SCALE 1:75)



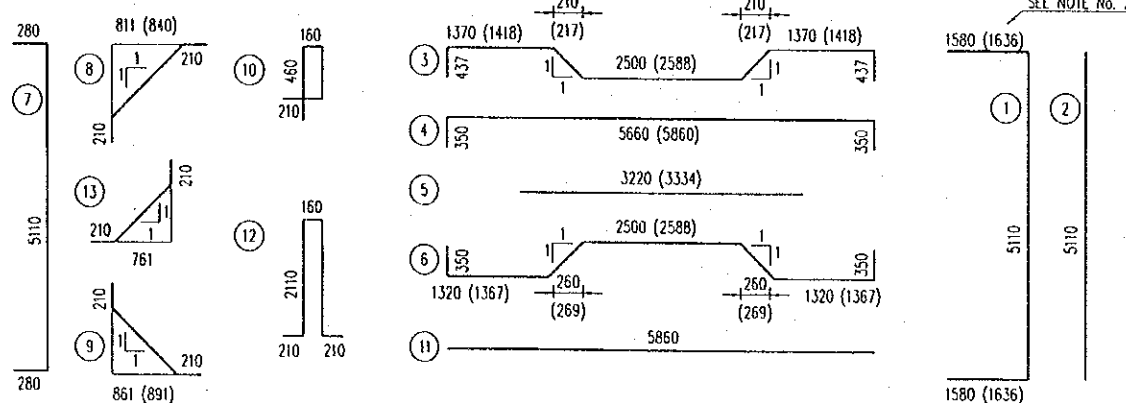
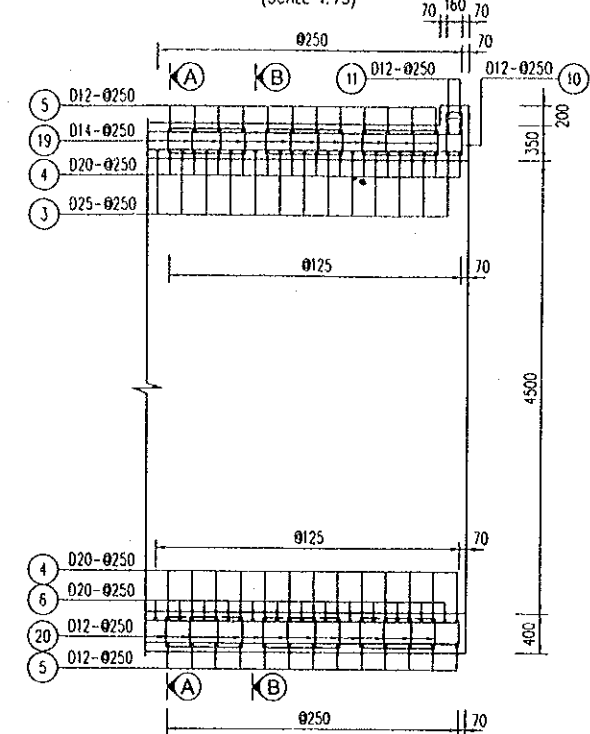
### SECTION A - A

(SCALE 1:75)



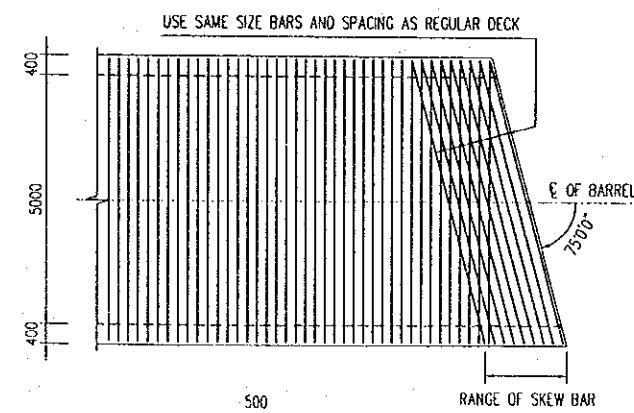
### THE END OF BARREL

(SCALE 1:75)



### PART PLAN

(NOT TO SCALE)



### QUANTITIES TABLE

SYMBOL OF BAR	UNIT LENGTH (mm)	SPACE (mm)	DIAMETER (mm)	NUMBER OF BAR	UNIT WEIGHT (kg/m)	TOTAL LENGTH (m)	TOTAL WEIGHT (kg)
1	a	8270	250	106	2.466	676.62	2161.9
	b	8361	250	7	2.466	58.67	144.7
2	a	5110	250	104	2.466	531.44	1310.6
	b	6708	250	52	3.853	348.81	1344.1
3	a	6892	250	6	3.853	41.35	159.3
	b	6360	250	106	2.466	674.16	1662.6
4	a	6560	250	7	2.466	45.92	113.2
	b	3220	250	12	0.888	341.32	303.0
5	a	3334	250	14	0.888	46.68	41.4
	b	6575	250	52	2.466	341.92	843.2
6	a	6757	250	6	2.466	40.54	100.0
	b	5670	250	113	1.578	640.71	1011.3
7	a	1567	250	12	0.888	166.10	147.5
	b	1608	250	7	0.888	11.26	10.0
8	a	1638	250	106	0.888	173.59	154.1
	b	1680	250	7	0.888	11.76	10.4
9	a	1560	250	24	0.888	37.44	33.2
	b	5860	250	2	0.888	11.72	10.4
10	a	4700	250	55	0.888	258.50	229.5
	b	1496	250	55	0.888	82.29	73.1
11	a	14549	250	48	0.888	698.35	620.0
	b	13916	250	36	0.888	500.98	444.8
12	a	15382	250	36	0.888	553.75	491.6
	b	14141	250	14	0.888	197.97	175.8
13	a	14649	250	48	0.888	703.15	624.3
	b	1410	250	14	2.222	313.02	378.3
14	a	1440	250	222	0.888	319.68	283.8
	b	1440	250	222	0.888	319.68	283.8
TOTAL FOR SEGMENT I					CONCRETE :	121.52 M <sup>3</sup>	REINFORCEMENT : 12882.1 kg
TOTAL FOR THE WHOLE OF CULVERT					CONCRETE :	243.04 M <sup>3</sup>	REINFORCEMENT : 25764.2 kg

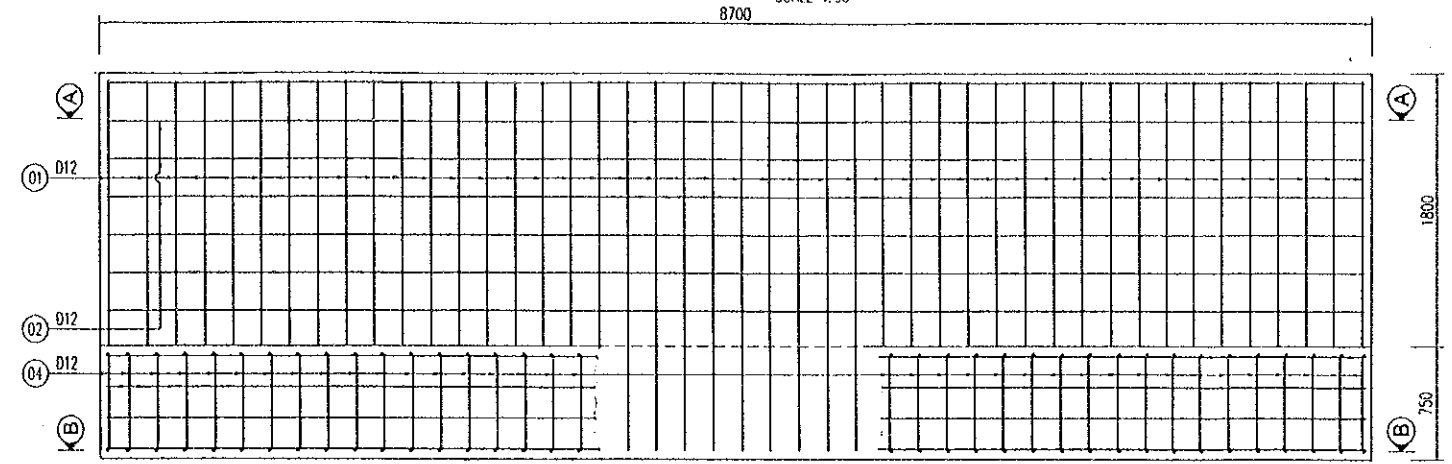
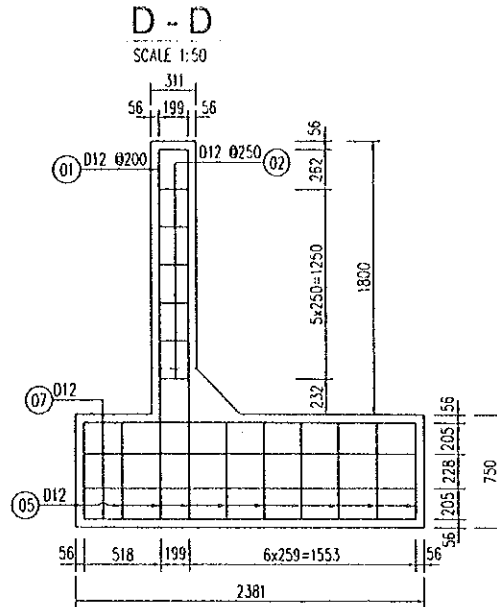
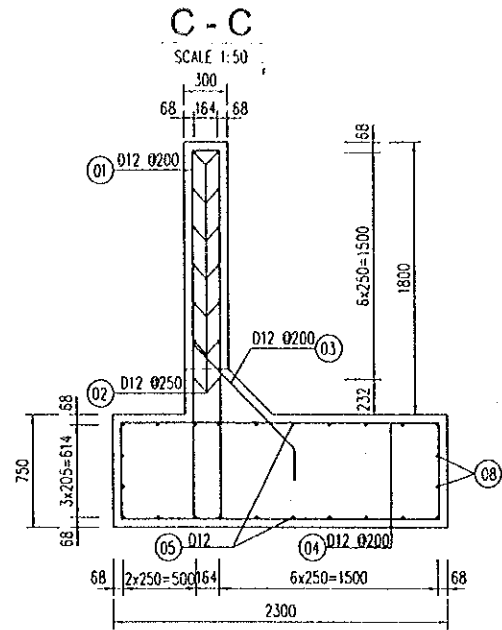
### NOTES :

- 1- ALL DIMENSIONS ARE IN MILLIMETER UNLESS OTHERWISE INDICATED.
- 2- THE VALUE IN PARENTHESIS ARE USED FOR SKEW BARS AT THE ENDS OF CULVERT.
- 3- THE SKEW BARS ARE NOTATED BY CHARACTER "b" IN THE QUANTITIES TABLE.
- 4- DIRECTION OF CULVERT AND LENGTH OF SEGMENT SEE GENERAL VIEW DRAWING.

PROJECT NAME	IMPLEMENTATION AGENCY	EXECUTING AGENCY	JICA STUDY TEAM	PREPARED BY	CHECKED BY	APPROVED BY	DRAWING TITLE	DWG NO.
DETAILED DESIGN OF THE CAN THO BRIDGE CONSTRUCTION PROJECT	JICA JAPAN INTERNATIONAL COOPERATION AGENCY (JICA)	SOCIALIST REPUBLIC OF VIET NAM MINISTRY OF TRANSPORT (MOT) MY THUAN PROJECT MANAGEMENT UNIT	NIPPON KOEI CO.,LTD.	K. Nemoto	K. Nakai	K. Enomoto	REINFORCEMENT OF CULVERT STATION I+063.2	P1/BC/0270
				DATE	DATE	DATE		
				20/9/2000	29/9/2000	5/10/2000		

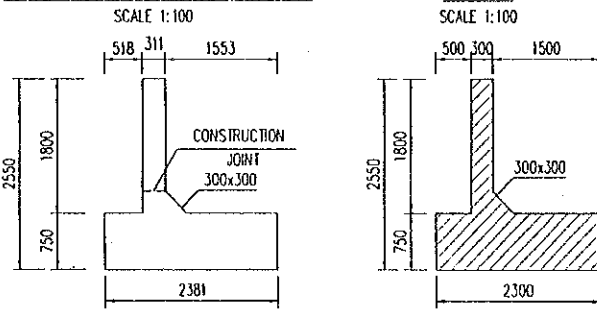
D:\project\CANTHO 2-9-2000\P1-DRAINAGE SYSTEM\P1-BC-0280.dwg Thu Aug 31 09:06:12 2000 TRAN TRONG AN

# REINFORCEMENT OF RETAINING WALL

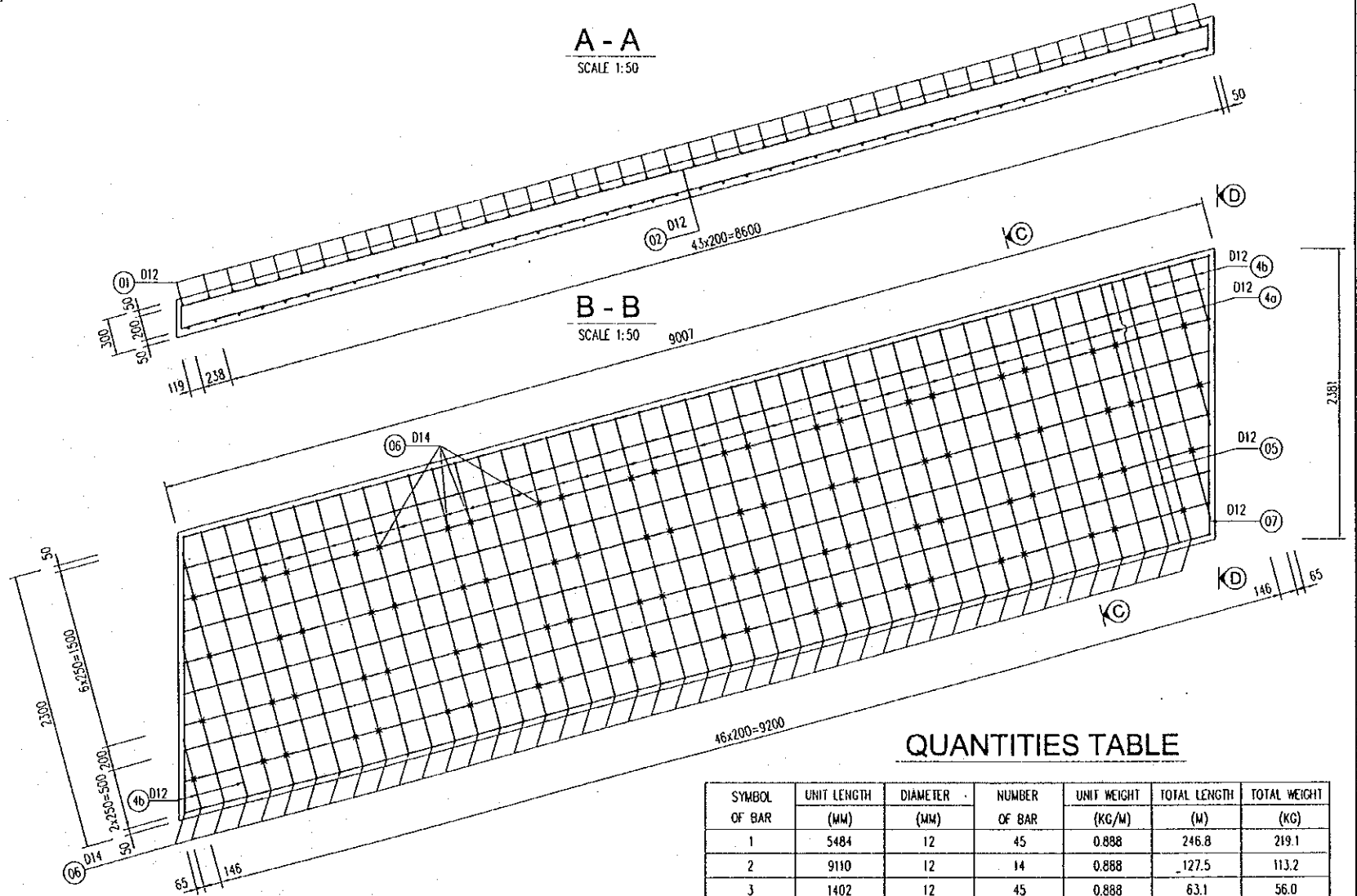
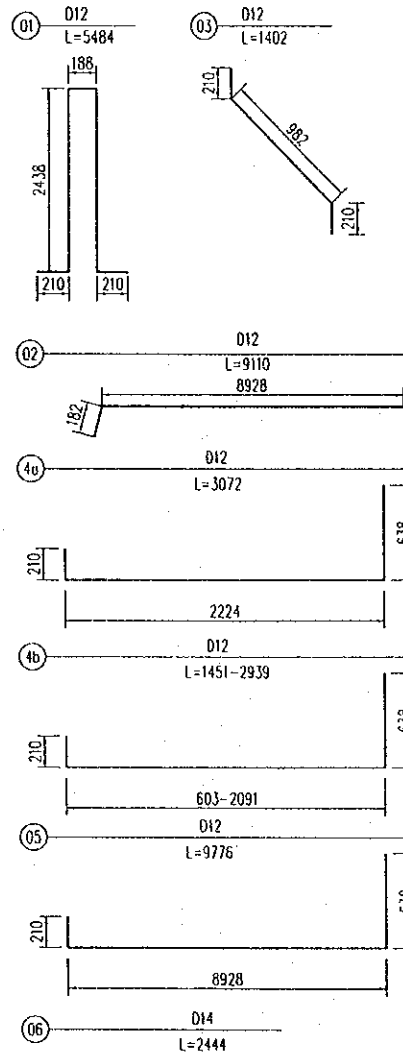
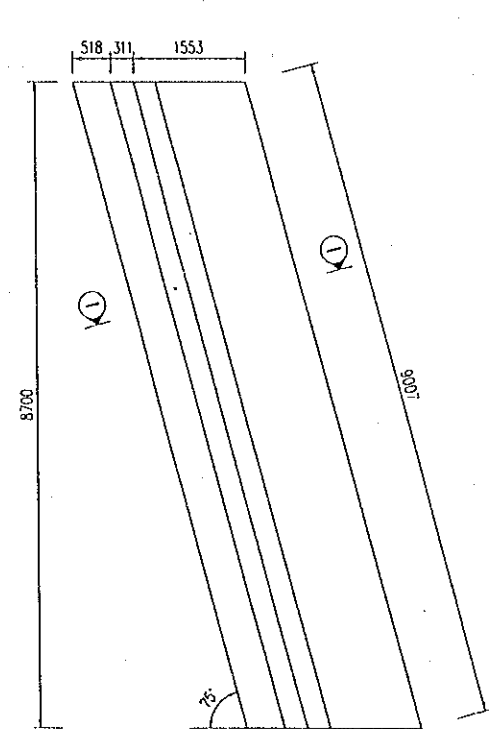


A - A  
SCALE 1:50

## RETAINING WALL



## PLAN



B - B  
SCALE 1:50

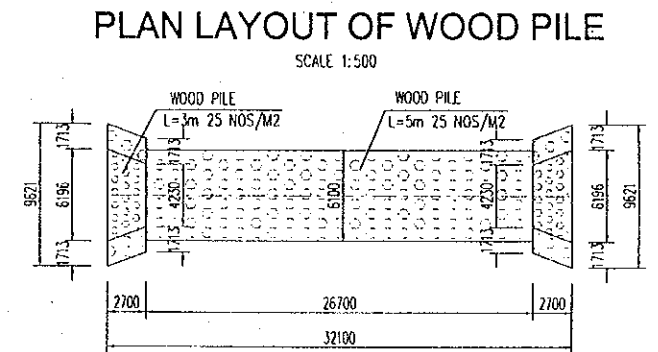
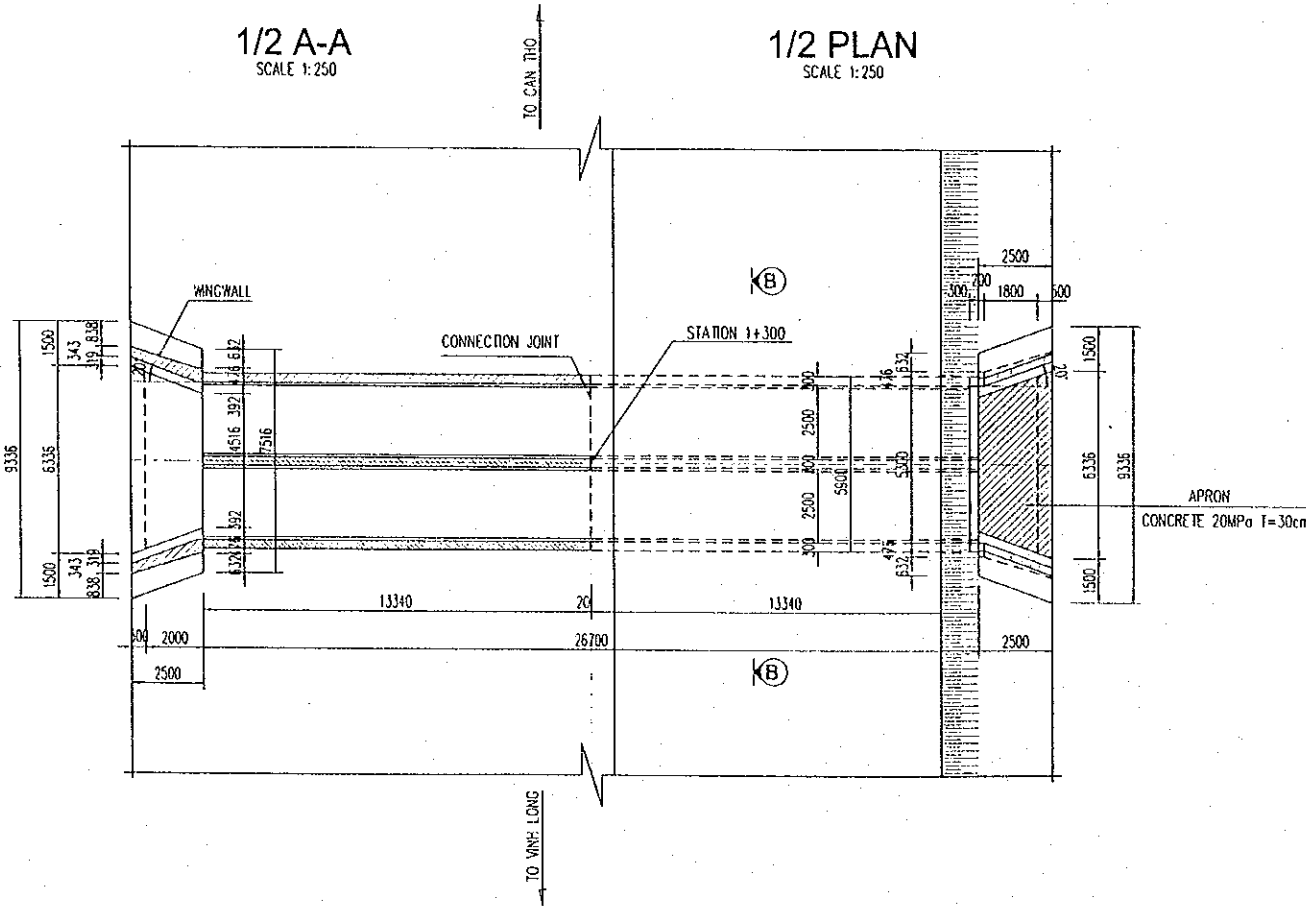
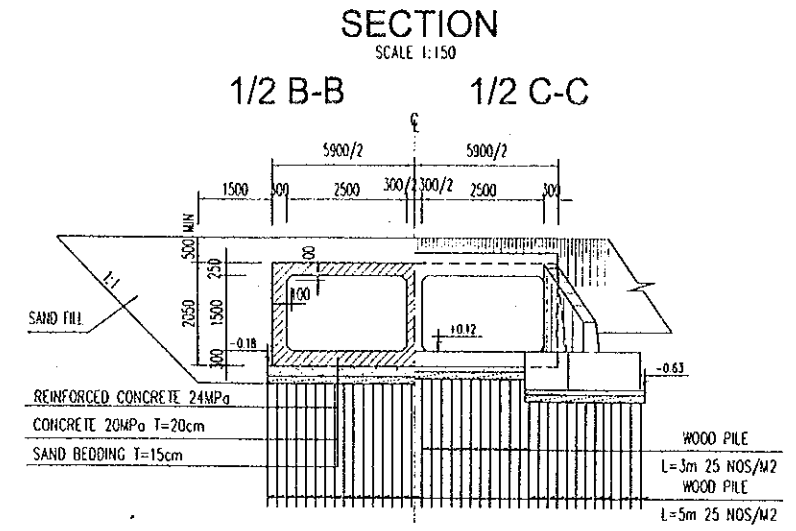
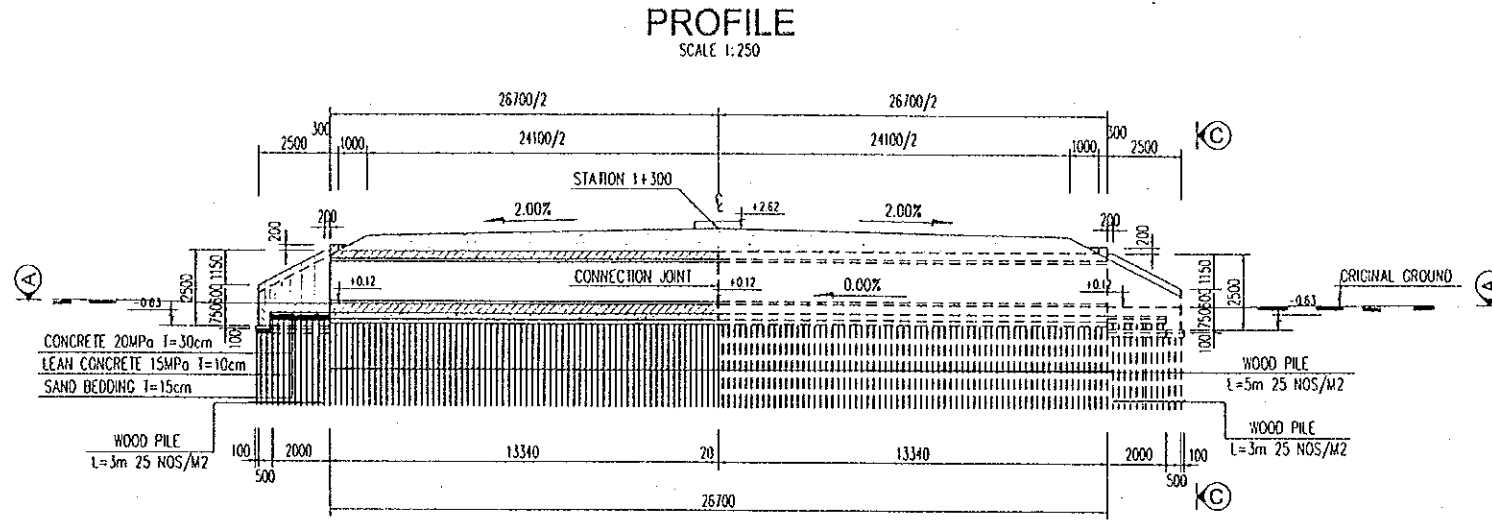
## QUANTITIES TABLE

SYMBOL OF BAR	UNIT LENGTH (MM)	DIAMETER (MM)	NUMBER OF BAR	UNIT WEIGHT (KG/M)	TOTAL LENGTH (M)	TOTAL WEIGHT (KG)
1	5484	12	45	0.888	246.8	219.1
2	9110	12	14	0.888	127.5	113.2
3	1402	12	45	0.888	63.1	56.0
4A	3072	12	82	0.888	251.9	223.6
4B	2195	12	12	0.888	26.3	23.4
5	9776	12	20	0.888	195.5	173.6
6	2444	14	44	1.208	107.5	129.9
7	2302	12	8	0.888	18.4	16.3
8	8928	12	4	0.888	35.7	31.7
CONCRETE : 20.81 M <sup>3</sup>				REINFORCEMENT : D<=14 987.0 KG		
				REINFORCEMENT : 14< D <=25 0.0 KG		
				TOTAL REINFORCEMENT : 987.0 KG		

PROJECT NAME DETAILED DESIGN OF THE CAN THO BRIDGE CONSTRUCTION PROJECT	IMPLEMENTATION AGENCY JICA JAPAN INTERNATIONAL COOPERATION AGENCY (JICA)	EXECUTING AGENCY SOCIALIST REPUBLIC OF VIET NAM MINISTRY OF TRANSPORT (MOT) MY THUAN PROJECT MANAGEMENT UNIT	JICA STUDY TEAM NIPPON KOEI CO.,LTD.	PREPARED BY NAME: K. Nemoto SIGNATURE: <i>K. Nemoto</i> DATE: 20/9/2000	CHECKED BY NAME: K. Nakai SIGNATURE: <i>K. Nakai</i> DATE: 24/9/2000	APPROVED BY NAME: K. Enomoto SIGNATURE: <i>K. Enomoto</i> DATE: 5/10/2000	DRAWING TITLE BOX CULVERT STATION I+063.2 REINFORCEMENT OF RETAINING WALL DETAIL	DWG NO. P1/BC/0280
--	--	---	---	--	---	--	--	-----------------------

D:\project\CANTHO 2-9-2000\PI-DRAINAGE SYSTEM\PI-BC-0290.dwg Thu Aug 31 09:06:38 2000 TRAN TRUNG AN

## BOX CULVERT FOR DRAINAGE (STATION 1+300)

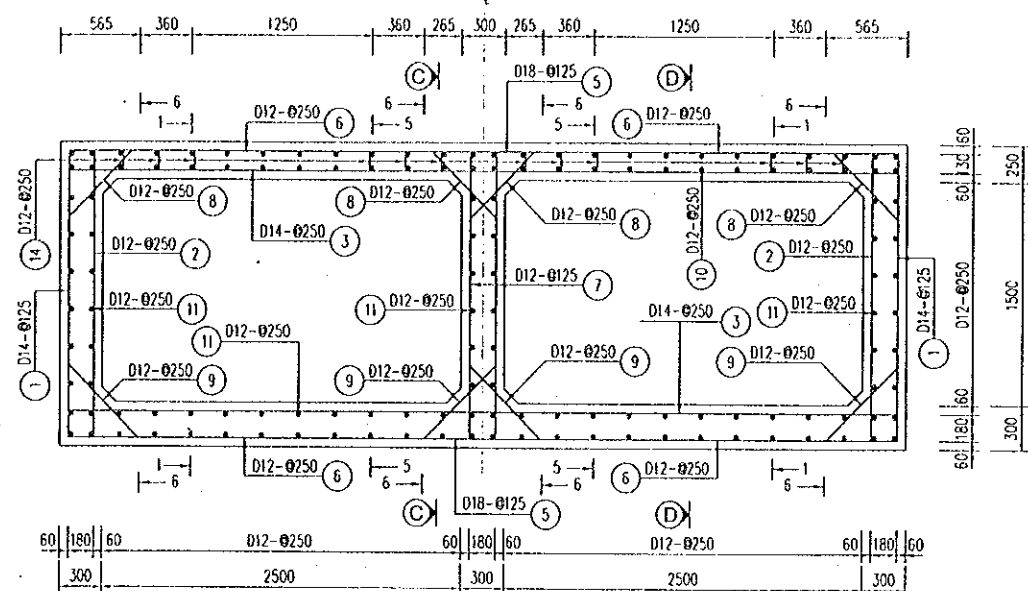


- NOTES:
- 1- ALL DIMENSIONS ARE IN MILLIMETER UNLESS OTHERWISE INDICATED.
  - 2- ELEVATIONS ARE IN METERS IN REFERENCE TO THE NATIONAL DATUM LEVEL.
  - 3- WINGWALL IS SIMILAR TO BOX CULVERT AT STATION 0+051.80 - DRAWING No B1/BC/0060.

PROJECT NAME	IMPLEMENTATION AGENCY	EXECUTING AGENCY	JICA STUDY TEAM	PREPARED BY	CHECKED BY	APPROVED BY	DRAWING TITLE	DWG NO.
DETAILED DESIGN OF THE CAN THO BRIDGE CONSTRUCTION PROJECT	JICA JAPAN INTERNATIONAL COOPERATION AGENCY (JICA)	SOCIALIST REPUBLIC OF VIET NAM MINISTRY OF TRANSPORT (MOT) MY THUAN PROJECT MANAGEMENT UNIT	(NK) NIPPON KOEI CO.,LTD.	NAME: K. Nemoto SIGNATURE: <i>K. Nemoto</i> DATE: 20/9/2000	NAME: K. Nakai SIGNATURE: <i>K. Nakai</i> DATE: 24/9/2000	NAME: K. Enomoto SIGNATURE: <i>K. Enomoto</i> DATE: 5/10/2000	GENERAL VIEW OF BOX CULVERT STATION 1 + 300.0	P1/BC/0290

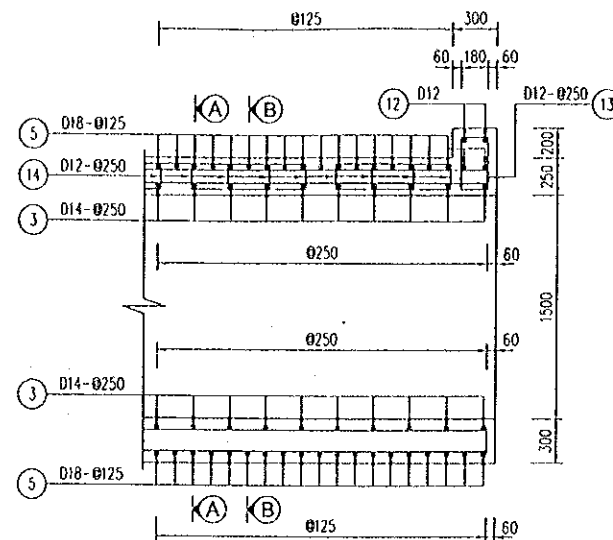
SECTION A - A

SCALE 1:50



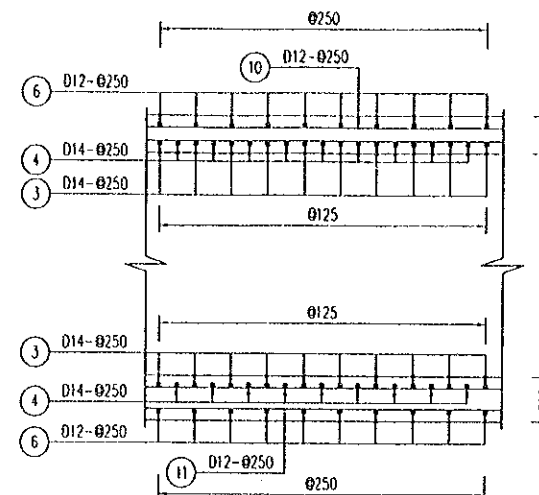
SECTION C - C

SCALE 1:50



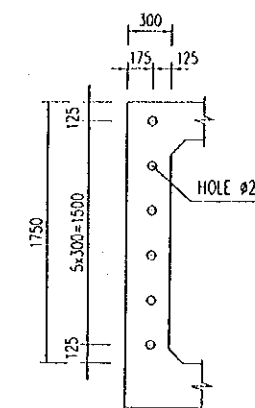
SECTION D - D

SCALE 1:50



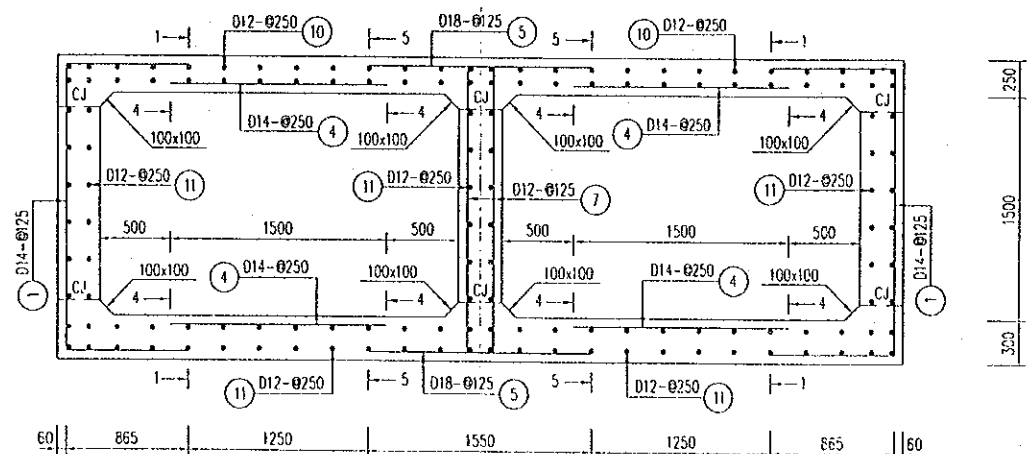
POSITION OF HOLE

(SCALE 1:50)



SECTION B - B

SCALE 1:50

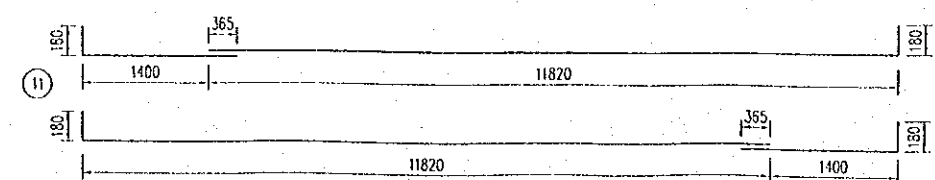
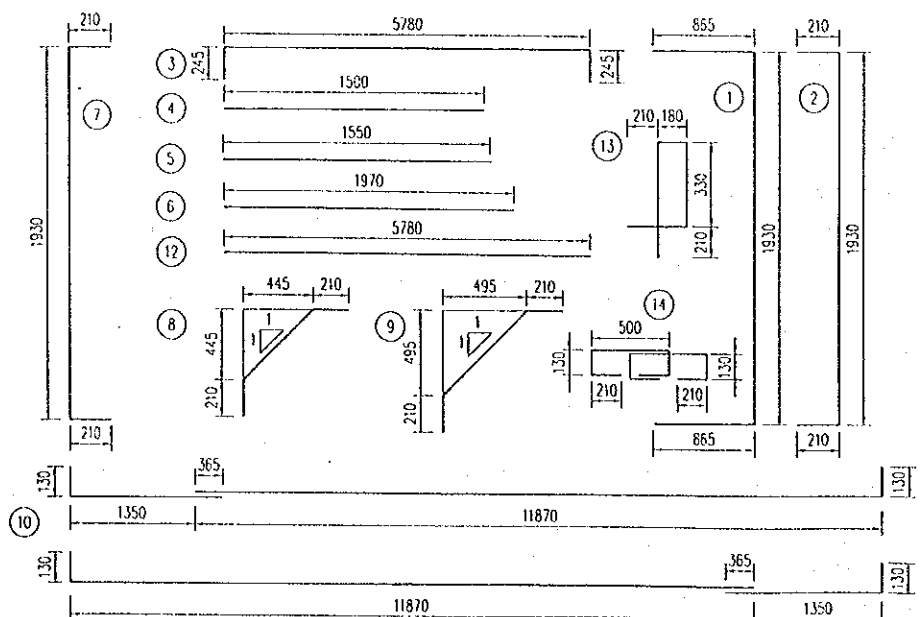


QUANTITIES TABLE

SYMBOL OF BAR	UNIT LENGTH (mm)	SPACE (mm)	DIAMETER (mm)	NUMBER OF BAR	UNIT WEIGHT (kg/m)	TOTAL LENGTH (m)	TOTAL WEIGHT (kg)
1	3660	125	14	214	1.208	783.24	946.5
2	2350	250	12	108	0.888	253.80	225.3
3	6270	250	14	108	1.208	677.16	818.3
4	1500	250	14	212	1.208	318.00	384.3
5	1550	125	18	214	1.998	331.70	662.6
6	1970	250	12	216	0.888	425.52	377.8
7	2350	125	12	214	0.888	502.90	446.5
8	1049	250	12	216	0.888	226.58	201.2
9	1120	250	12	216	0.888	241.92	214.8
10	13845	250	12	52	0.888	719.94	639.2
11	13945	250	12	88	0.888	1227.16	1089.5
12	5780	250	12	2	0.888	11.56	10.3
13	1440	250	12	26	0.888	37.44	33.2
14	1180	250	12	320	0.888	377.79	335.4
TOTAL FOR 1 SEGMENT			CONCRETE : 62.18 M <sup>3</sup>	REINFORCEMENT : 6384.7 KG			
TOTAL FOR THE WHOLE OF CULVERT			CONCRETE : 124.36 M <sup>3</sup>	REINFORCEMENT : 12769.5 KG			

NOTES:

- 1- ALL DIMENSIONS ARE IN MILLIMETER UNLESS OTHERWISE INDICATED.
- 2- LENGTH OF SEGMENT SEE GENERAL VIEW DRAWING.

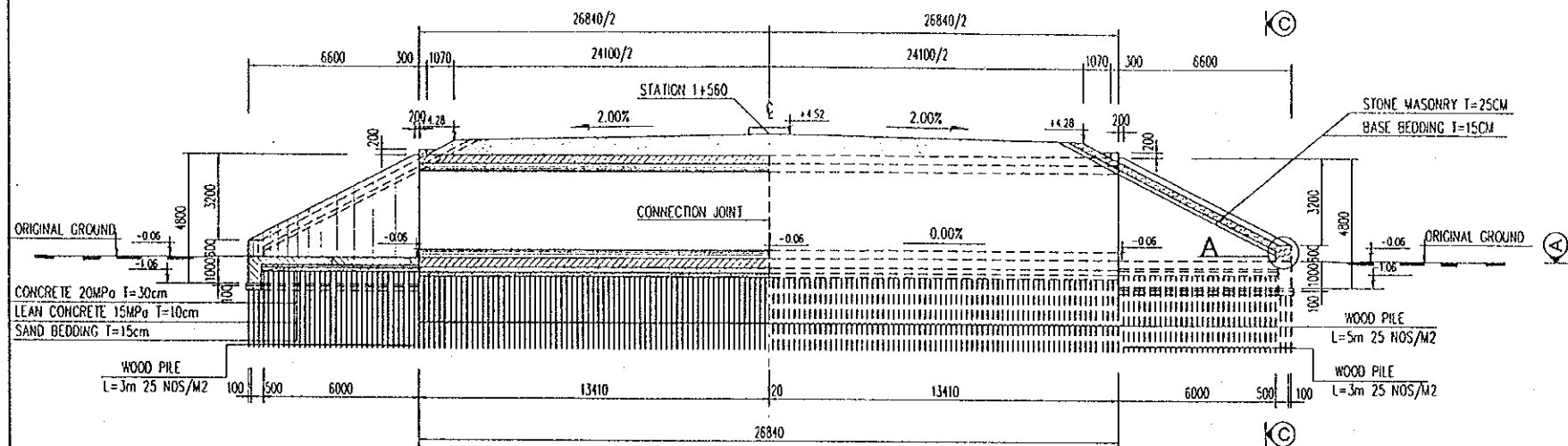


PROJECT NAME	IMPLEMENTATION AGENCY	EXECUTING AGENCY	JICA STUDY TEAM	PREPARED BY	CHECKED BY	APPROVED BY	DRAWING TITLE	DWG NO.
DETAILED DESIGN OF THE CAN THO BRIDGE CONSTRUCTION PROJECT	JICA JAPAN INTERNATIONAL COOPERATION AGENCY (JICA)	SOCIALIST REPUBLIC OF VIET NAM MINISTRY OF TRANSPORT (MOT) MY THIUAN PROJECT MANAGEMENT UNIT	(NK) NIPPON KOEI CO.,LTD.	K. Nemoto	K. Nakai	K. Enomoto	REINFORCEMENT OF CULVERT STATION I+300	P1/BC/0300
				DATE: 20/9/2000	DATE: 29/9/2000	DATE: 5/10/2000		

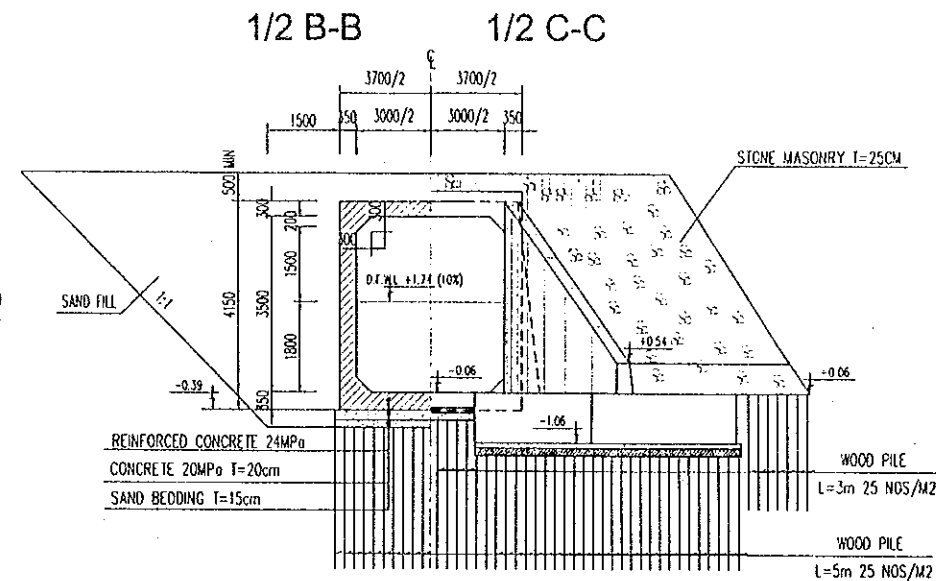
D:\project\CANTHO 2-9-2000\P1-DRAINAGE SYSTEM\P1-BC-0310.dwg Thu Aug 31 09:08:06 2000 TRAN TRONG AN

## BOX CULVERT FOR DRAINAGE (STATION 1+560)

**PROFILE**  
SCALE 1:250

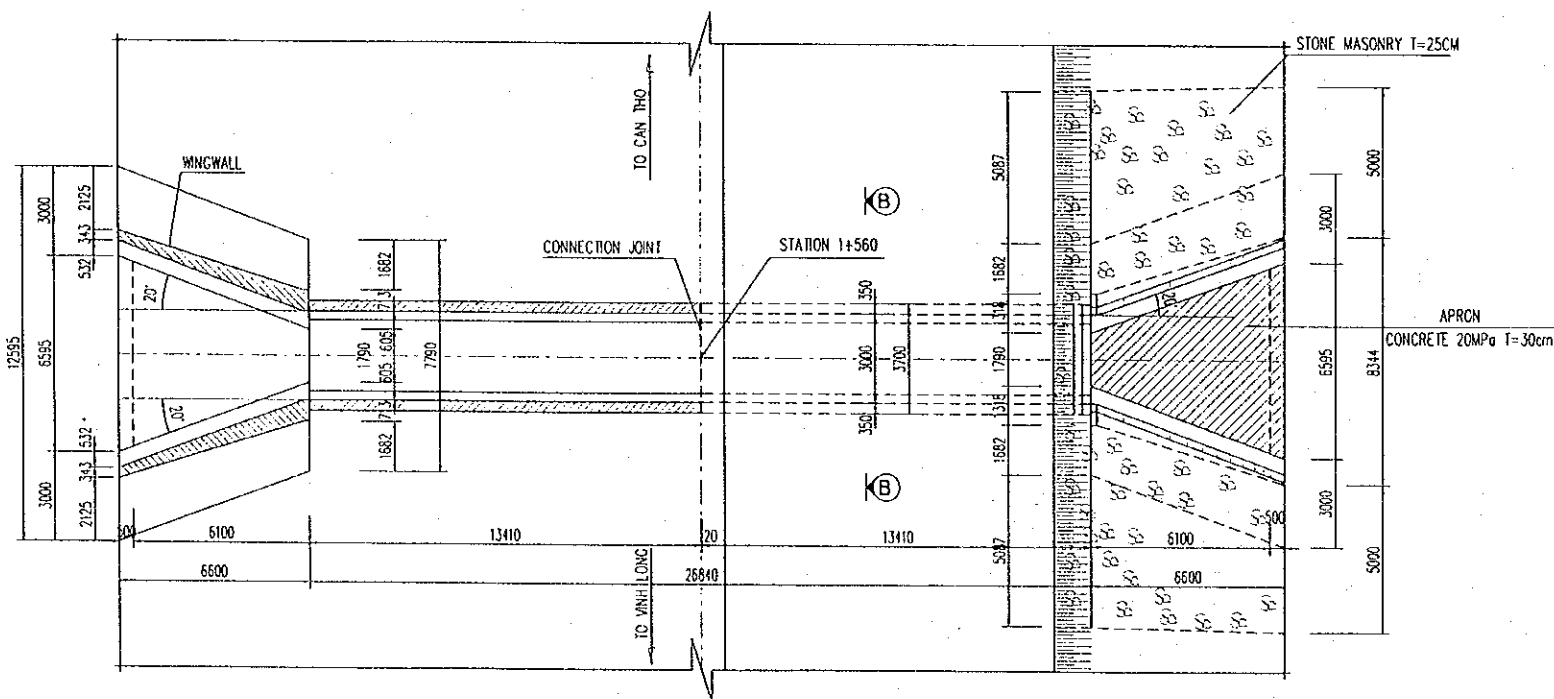


**SECTION**  
SCALE 1:150

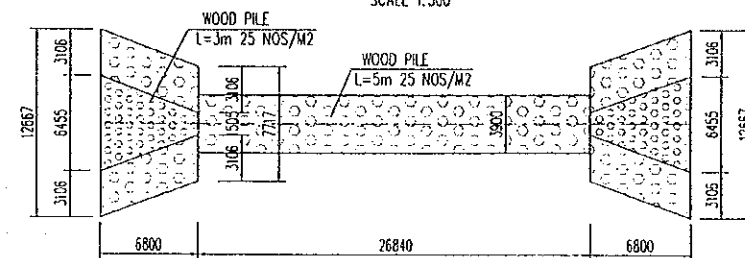


**1/2 A-A**  
SCALE 1:250

**1/2 PLAN**  
SCALE 1:250



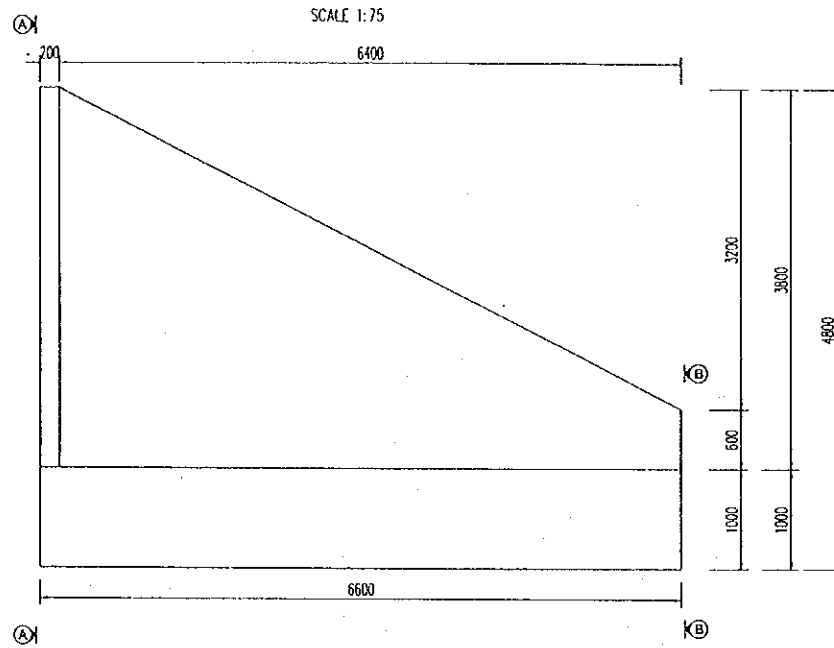
**PLAN LAYOUT OF WOOD PILE**  
SCALE 1:500



- NOTES :**
- 1- ALL DIMENSIONS ARE IN MILLIMETER UNLESS OTHERWISE INDICATED.
  - 2- ELEVATIONS ARE IN METERS IN REFERENCE TO THE NATIONAL DATUM LEVEL.
  - 3- DETAIL A IS SHOWN IN THE DOCUMENT OF APPROACH ROAD - DRAWING No P1/MS/0180.

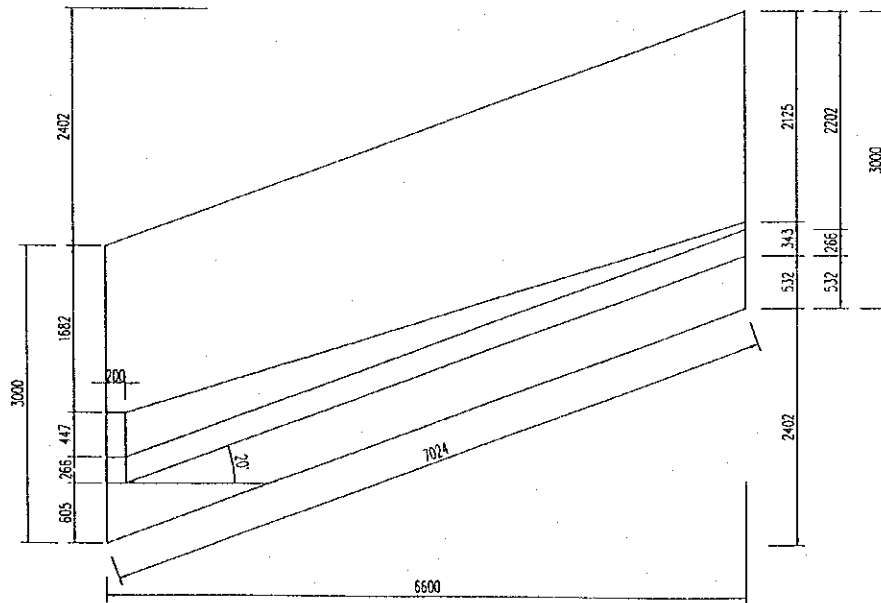
PROJECT NAME	IMPLEMENTATION AGENCY	EXECUTING AGENCY	JICA STUDY TEAM	PREPARED BY	CHECKED BY	APPROVED BY	DRAWING TITLE	DWG NO.
DETAILED DESIGN OF THE CAN THO BRIDGE CONSTRUCTION PROJECT	JAPAN INTERNATIONAL COOPERATION AGENCY (JICA)	SOCIALIST REPUBLIC OF VIET NAM MINISTRY OF TRANSPORT (MOT) MY THUAN PROJECT MANAGEMENT UNIT	NIPPON KOEI CO.,LTD.	NAME K. Nemoto SIGNATURE <i>K. Nemoto</i> DATE 20/9/2000	NAME K. Nakai SIGNATURE <i>K. Nakai</i> DATE 29/9/2000	NAME K. Enomoto SIGNATURE <i>K. Enomoto</i> DATE 5/10/2000	GENERAL VIEW OF BOX CULVERT STATION 1+560	P1/BC/0310

**WING WALL DETAIL**



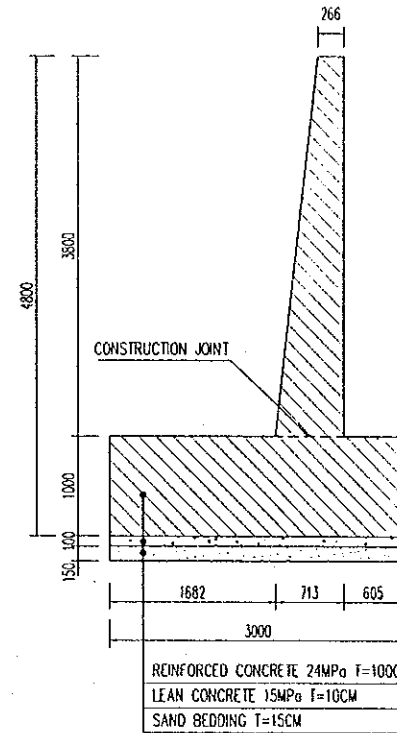
**PLAN**

SCALE 1:75



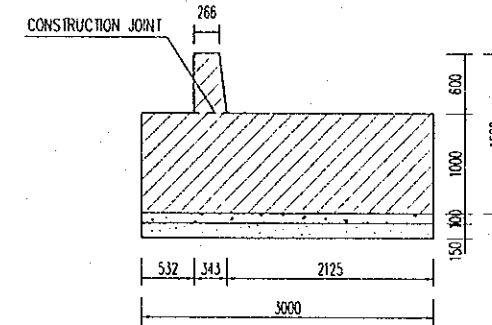
**A - A**

SCALE 1:75



**B - B**

SCALE 1:75



**NOTES :**

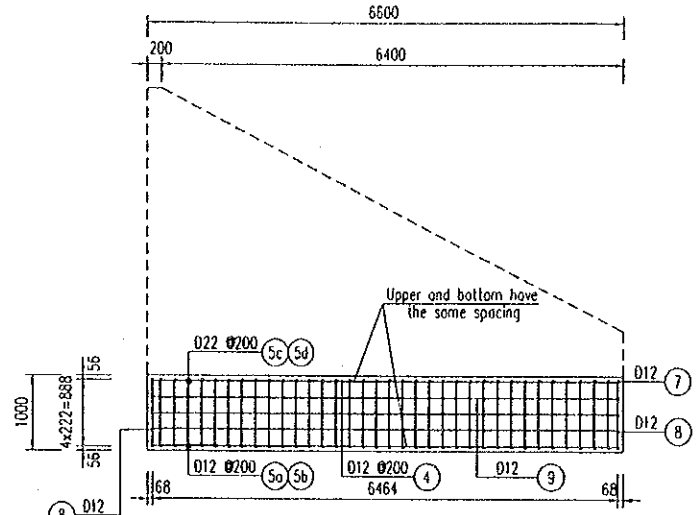
- 1- ALL DIMENSIONS ARE IN MILLIMETER UNLESS OTHERWISE INDICATED.
- 2- THIS DRAWING IS USED FOR ALL WING WALLS OF THIS CULVERT.

PROJECT NAME	IMPLEMENTATION AGENCY	EXECUTING AGENCY	JICA STUDY TEAM	PREPARED BY	CHECKED BY	APPROVED BY	DRAWING TITLE	DWG NO.
DETAILED DESIGN OF THE CAN THO BRIDGE CONSTRUCTION PROJECT	JAPAN INTERNATIONAL COOPERATION AGENCY (JICA)	SOCIALIST REPUBLIC OF VIET NAM MINISTRY OF TRANSPORT (MOT) MY THUAN PROJECT MANAGEMENT UNIT	NIPPON KOEI CO.,LTD.	NAME: K. Nemoto SIGNATURE: <i>K. Nemoto</i> DATE: 20/9/2000	NAME: K. Nakai SIGNATURE: <i>K. Nakai</i> DATE: 29/9/2000	NAME: K. Enomoto SIGNATURE: <i>K. Enomoto</i> DATE: 5/10/2000	GENERAL VIEW OF WING WALL STATION 1+560	P1/BC/0320



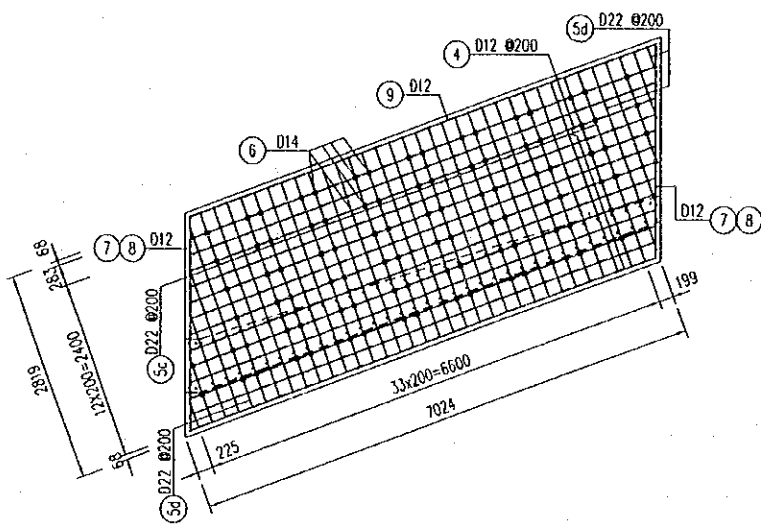
### REINFORCEMENT OF FOOTING

SCALE 1:100



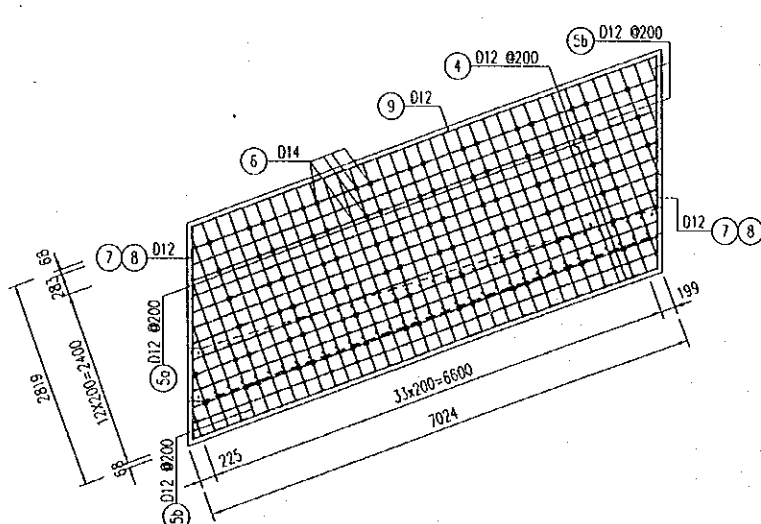
### TOP REINFORCEMENT

SCALE 1:100



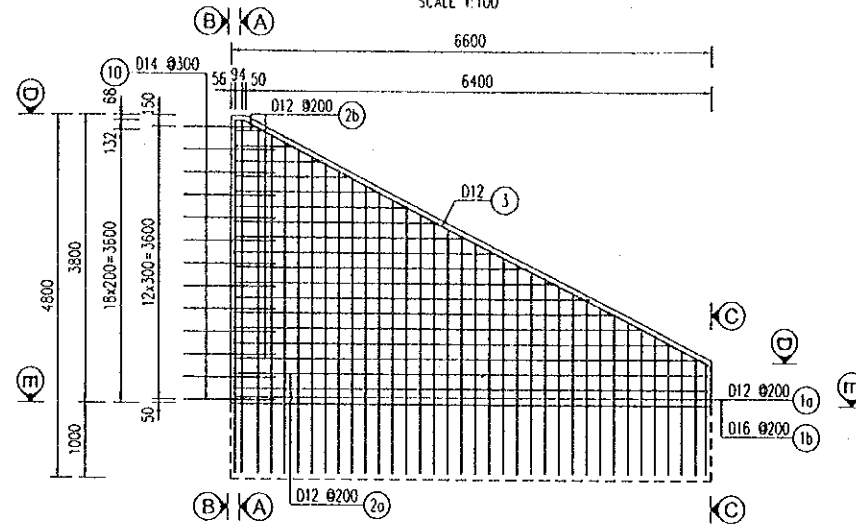
### BOTTOM REINFORCEMENT

SCALE 1:100



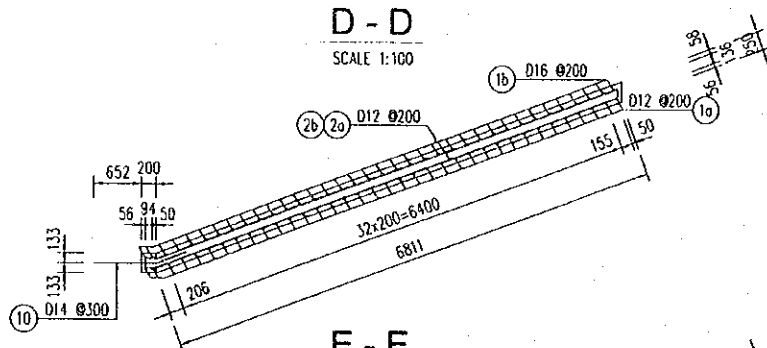
### REINFORCEMENT OF WING WALL

SCALE 1:100



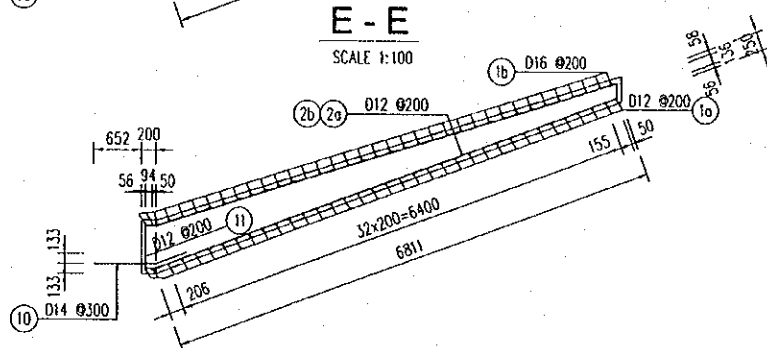
### D - D

SCALE 1:100



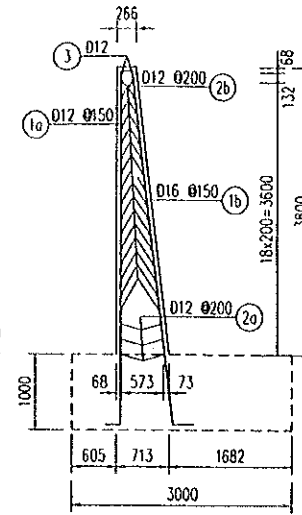
### E - E

SCALE 1:100



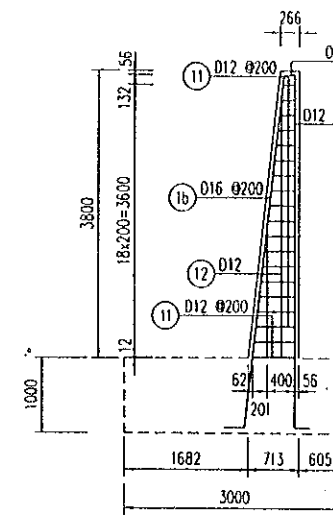
### A - A

SCALE 1:100



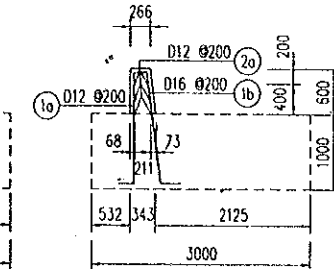
### B - B

SCALE 1:100



### C - C

SCALE 1:100

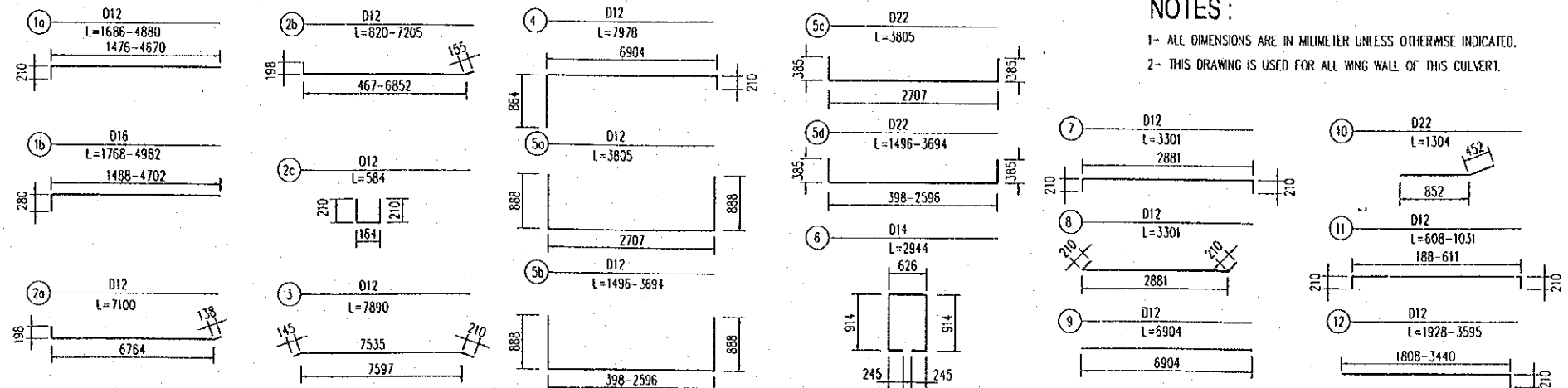


### QUANTITIES TABLE

BAR MARK	UNIT LENGTH (MM)	DIAMETER (MM)	NUMBER OF BAR	UNIT WEIGHT (KG/M)	TOTAL LENGTH (M)	TOTAL WEIGHT (KG)
1a	3283	12	36	0.888	118.2	104.9
1b	3375	16	36	1.578	121.5	191.8
2a	7100	12	6	0.888	42.6	37.8
2b	4013	12	32	0.888	128.4	114.0
2c	584	12	36	0.888	21.0	18.7
3	7952	12	2	0.888	15.9	14.1
4	7978	12	28	0.888	223.4	198.3
5a	4483	12	29	0.888	130.0	115.4
5b	3273	12	10	0.888	32.7	29.1
5c	3477	22	29	2.984	100.8	300.9
5d	2267	22	10	2.984	22.7	67.6
6	2454	14	48	1.208	117.8	142.3
7	3301	12	4	0.888	13.2	11.7
8	3301	12	6	0.888	19.8	17.6
9	6904	12	6	0.888	41.4	36.8
10	1304	14	13	1.208	17.0	20.5
11	820	12	19	0.888	15.6	13.8
12	3044	12	2	0.888	6.1	5.4
CONCRETE : 25.58 m <sup>3</sup>				REINFORCEMENT : D<14		880.5 KG
				REINFORCEMENT : 14< D<=25		560.3 KG
				TOTAL REINFORCEMENT :		1440.8 KG

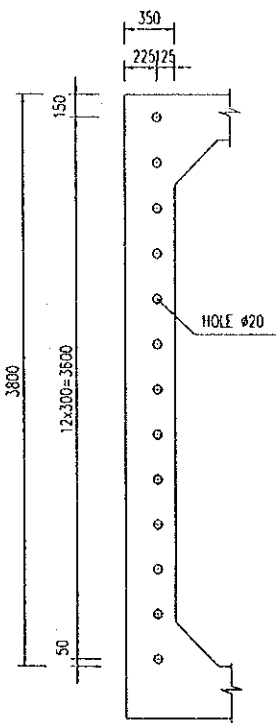
### NOTES :

- ALL DIMENSIONS ARE IN MILLIMETER UNLESS OTHERWISE INDICATED.
- THIS DRAWING IS USED FOR ALL WING WALL OF THIS CULVERT.

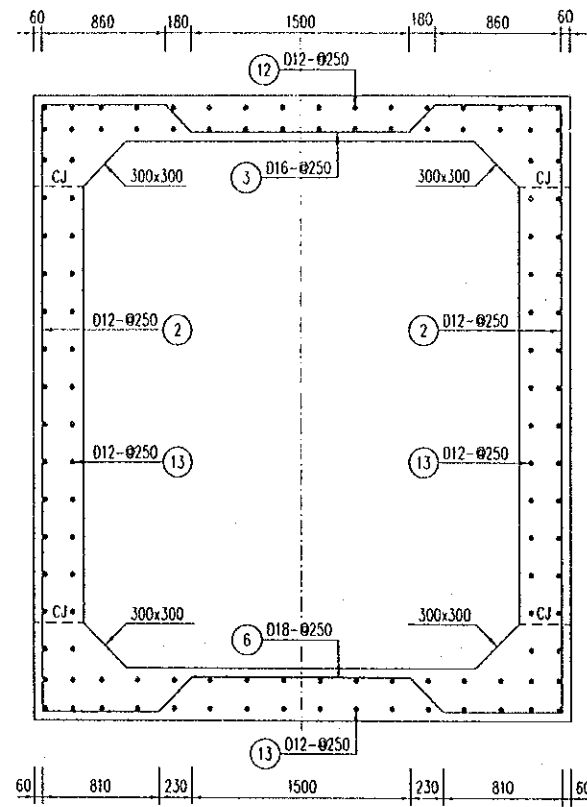


PROJECT NAME	IMPLEMENTATION AGENCY	EXECUTING AGENCY	JICA STUDY TEAM	PREPARED BY	CHECKED BY	APPROVED BY	DRAWING TITLE	DWG NO.
DETAILED DESIGN OF THE CAN THO BRIDGE CONSTRUCTION PROJECT	JICA JAPAN INTERNATIONAL COOPERATION AGENCY (JICA)	SOCIALIST REPUBLIC OF VIET NAM MINISTRY OF TRANSPORT (MOT) MY THUAN PROJECT MANAGEMENT UNIT	(NK) NIPPON KOEI CO.,LTD.	K. Nemoto	K. Nakai	K. Enomoto	REINFORCEMENT OF WING WALL STATION 1 + 560	P1/BC/0330
				DATE: 20/9/2000	DATE: 24/9/2000	DATE: 5/10/2000		

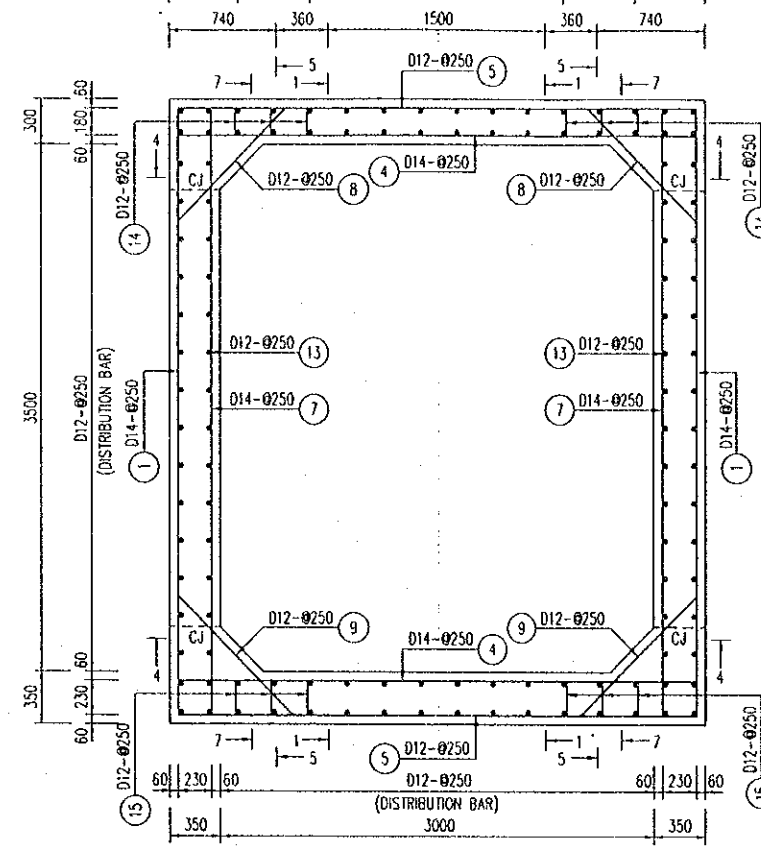
**POSITION OF HOLE**  
(SCALE 1:50)



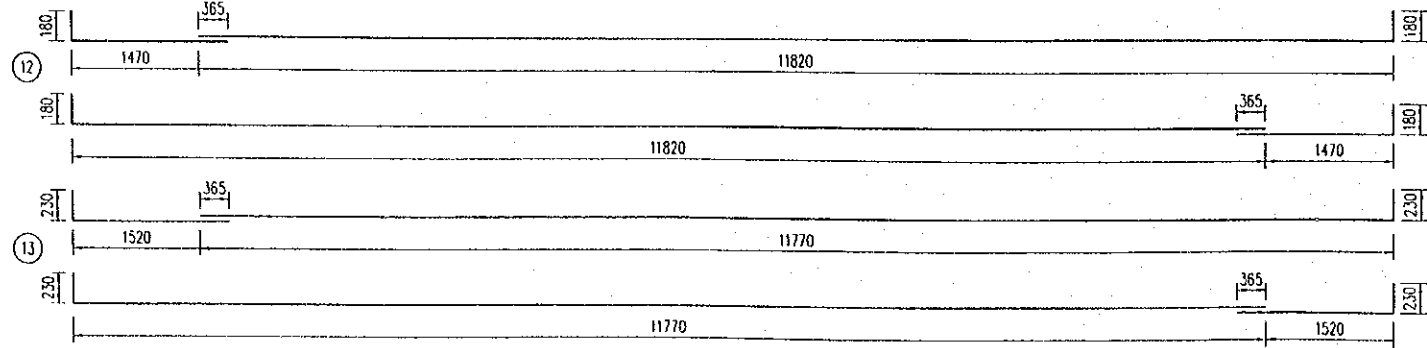
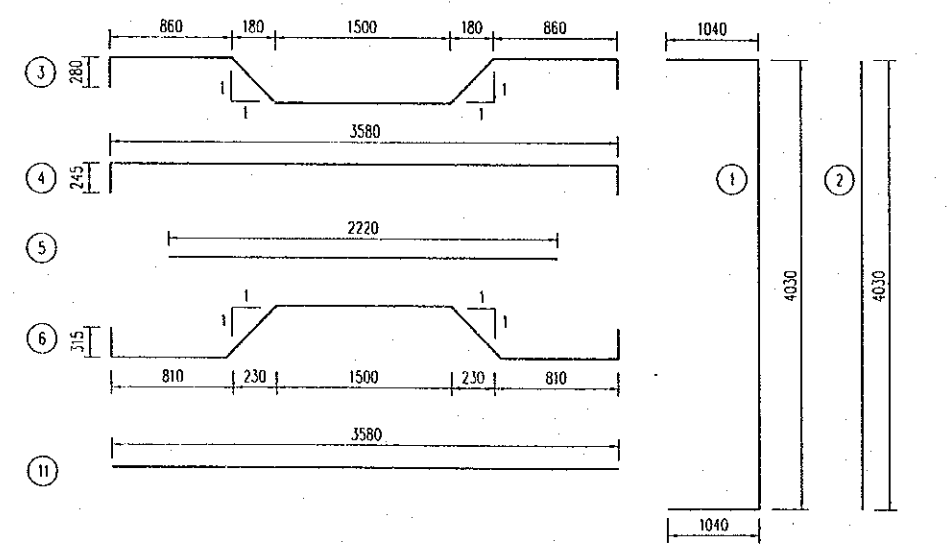
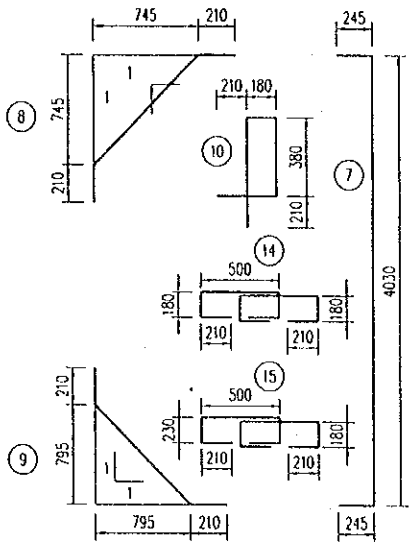
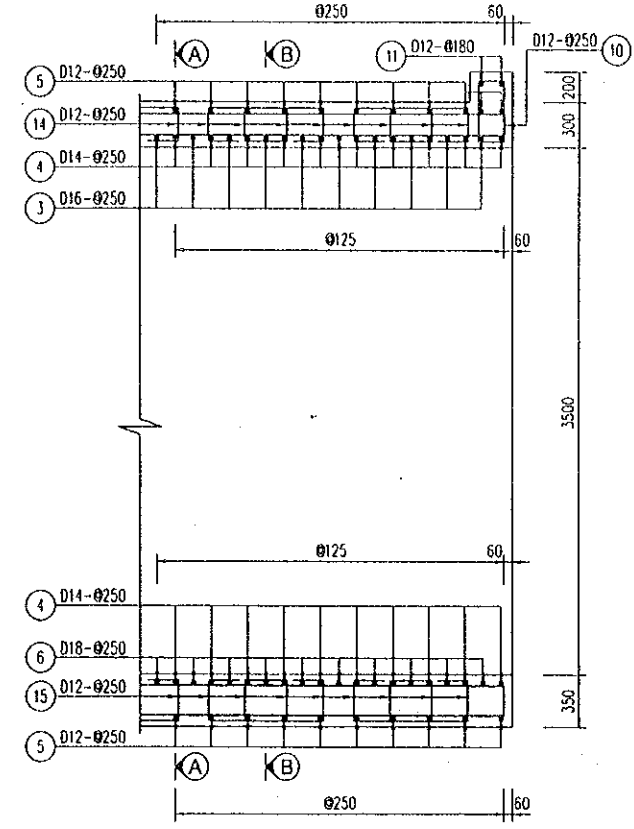
**SECTION B - B**  
(SCALE 1:50)



**SECTION A - A**  
(SCALE 1:50)



**THE END OF BARREL**  
(SCALE 1:50)



**QUANTITIES TABLE**

SYMBOL OF BAR	UNIT LENGTH	SPACE (mm)	DIAMETER (mm)	NUMBER OF BAR	UNIT WEIGHT	TOTAL LENGTH (m)	TOTAL WEIGHT (kg)
	(mm)				(kg/m)		
1	6110	250	14	108	1.208	659.88	797.4
2	4030	250	12	106	0.888	427.18	379.3
3	4289	250	16	53	1.578	227.32	358.8
4	4070	250	14	108	1.208	439.56	531.2
5	2220	250	12	108	0.888	239.76	212.9
6	4401	250	18	53	1.998	233.25	465.9
7	4520	250	14	108	1.208	468.16	589.9
8	1474	250	12	108	0.888	159.15	141.3
9	1544	250	12	108	0.888	165.78	148.1
10	1540	250	12	16	0.888	24.64	21.9
11	3580	180	12	2	0.888	7.16	6.4
12	14015	250	12	32	0.888	448.48	398.2
13	14115	250	12	88	0.888	1242.12	1102.8
14	1280	250	12	161	0.888	206.08	183.0
15	1380	250	12	161	0.888	222.18	197.3
TOTAL FOR 1 SEGMENT				CONCRETE :	67.74 M <sup>3</sup>	REINFORCEMENT :	5534.1 kg
TOTAL FOR THE WHOLE OF CULVERT				CONCRETE :	135.48 M <sup>3</sup>	REINFORCEMENT :	11068.1 kg

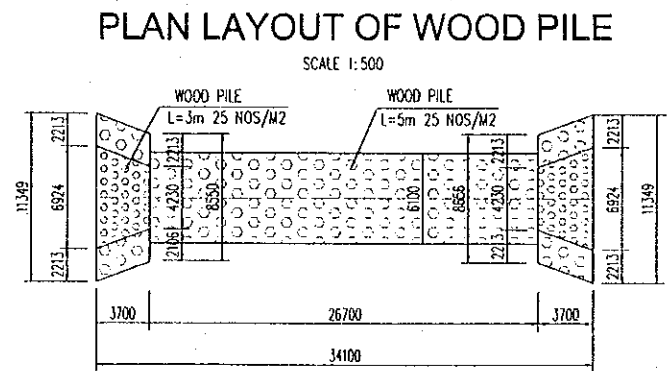
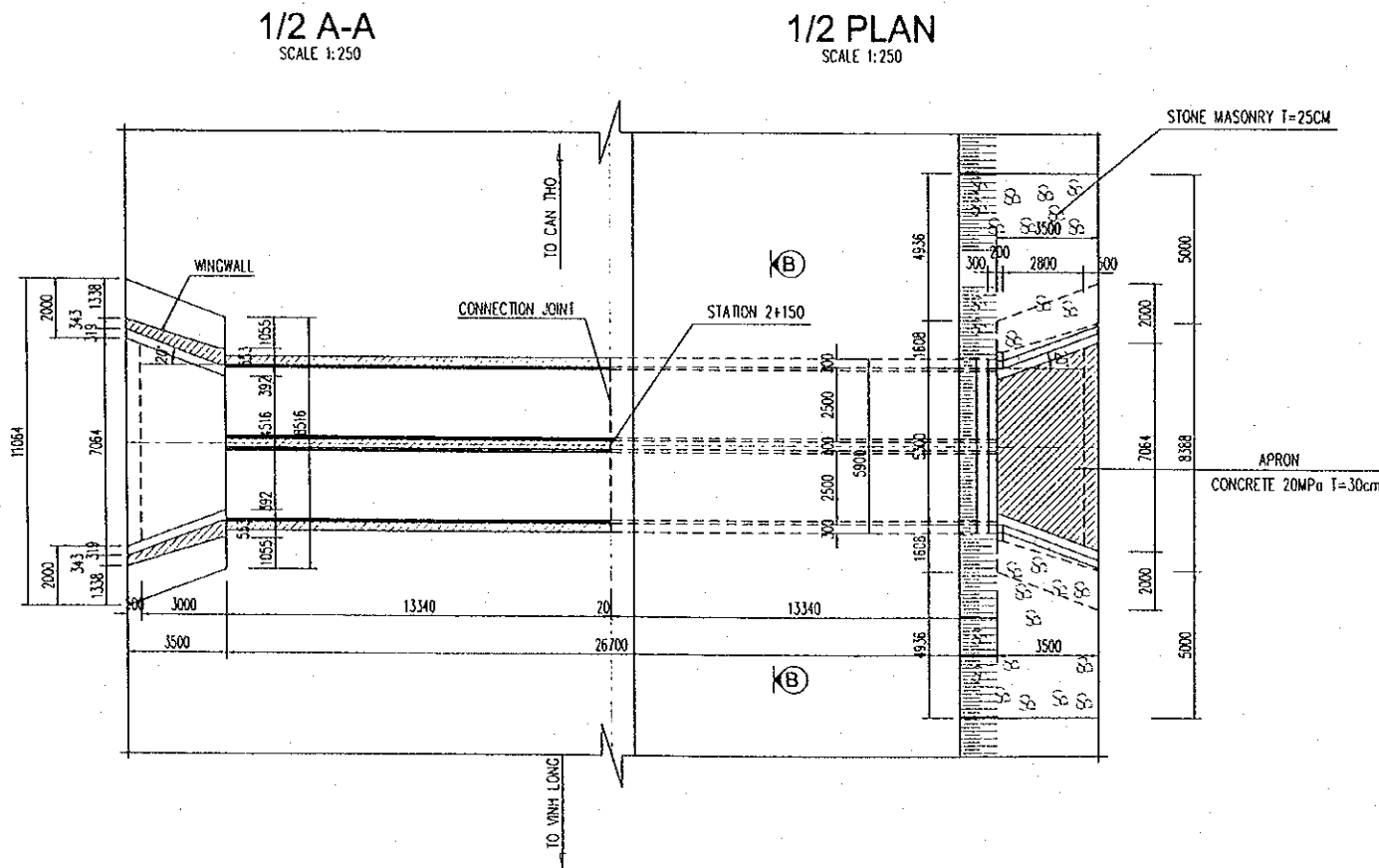
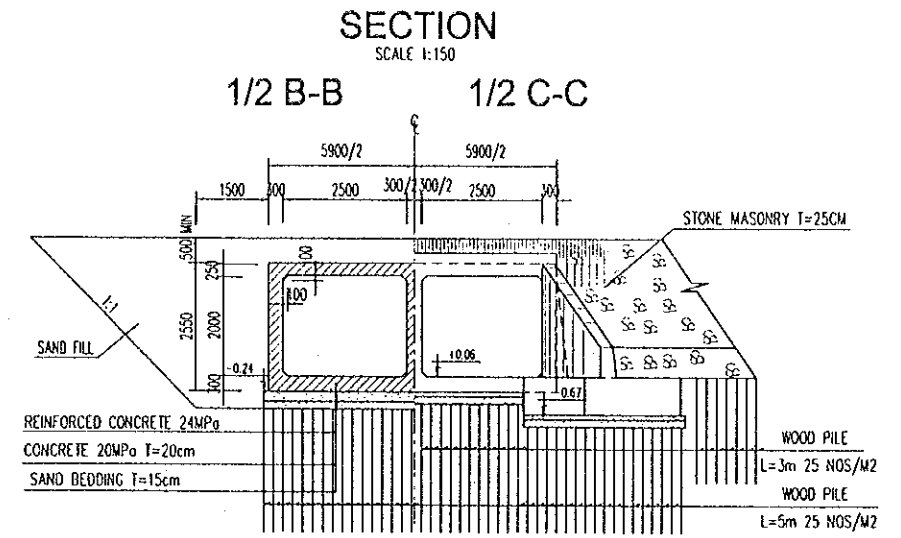
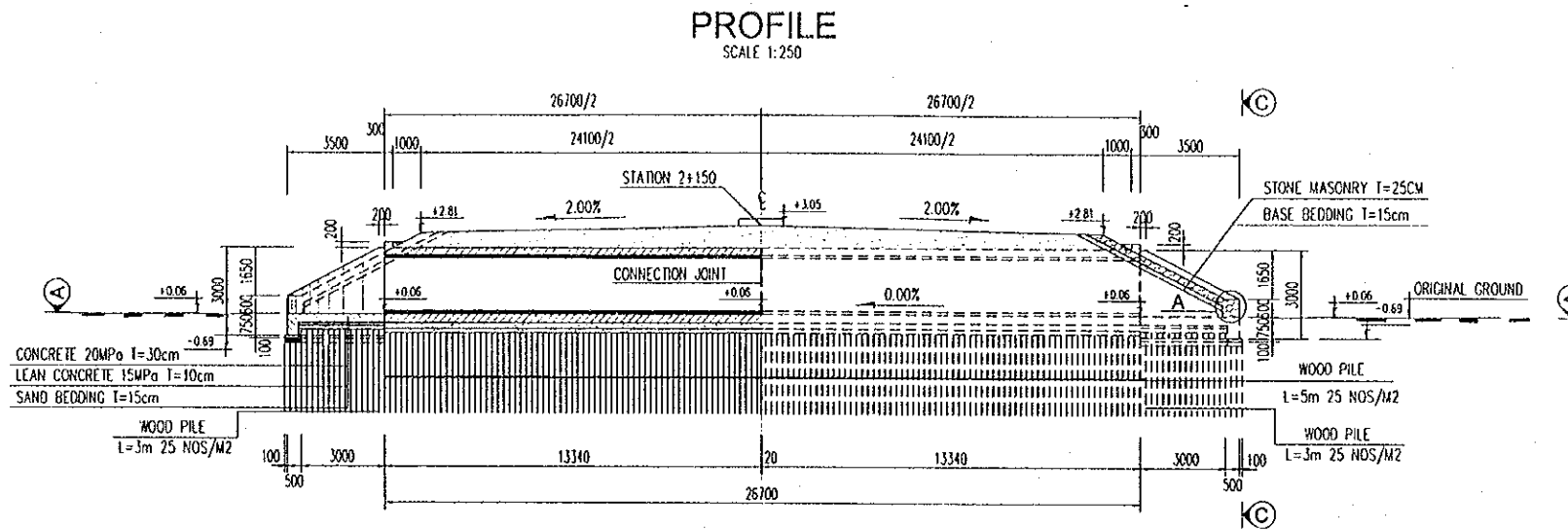
**NOTES :**

- 1- ALL DIMENSIONS ARE IN MILLIMETER UNLESS OTHERWISE INDICATED.
- 2- DIRECTION OF CULVERT AND LENGTH OF SEGMENT SEE GENERAL VIEW DRAWING.

<b>PROJECT NAME</b> DETAILED DESIGN OF THE CAN THO BRIDGE CONSTRUCTION PROJECT	<b>IMPLEMENTATION AGENCY</b> JICA JAPAN INTERNATIONAL COOPERATION AGENCY (JICA)	<b>EXECUTING AGENCY</b> SOCIALIST REPUBLIC OF VIET NAM MINISTRY OF TRANSPORT (MOT) MY THUAN PROJECT MANAGEMENT UNIT	<b>JICA STUDY TEAM</b> (NK) NIPPON KOEI CO.,LTD.	<b>PREPARED BY</b> NAME: K. Nemoto SIGNATURE: <i>K. Nemoto</i> DATE: 20/9/2000	<b>CHECKED BY</b> K. Nakai DATE: 29/9/2000	<b>APPROVED BY</b> K. Enomoto DATE: 5/10/2000	<b>DRAWING TITLE</b> REINFORCEMENT OF CULVERT STATION I+560	<b>DWG NO.</b> P1/BC/0340
---	---	--	---	---	--	---	---	------------------------------

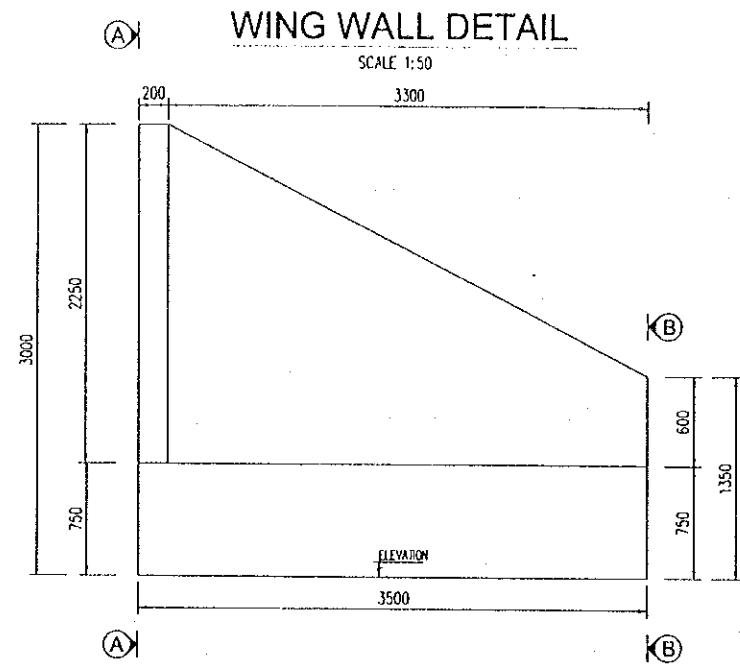
D:\project\CANTHO 2-9-2000\PI-DRAINAGE SYSTEM\PI-BC-0350.dwg Thu Aug 31 09:10:38 2000 TRAN TRONG AN

## BOX CULVERT FOR DRAINAGE (STATION 2+150)

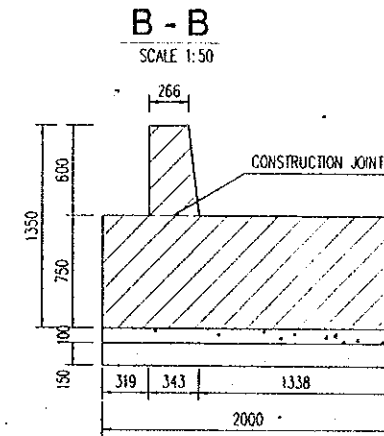
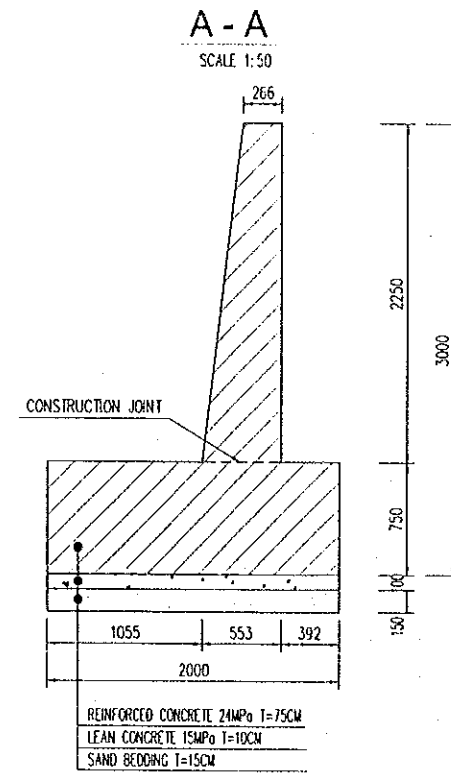
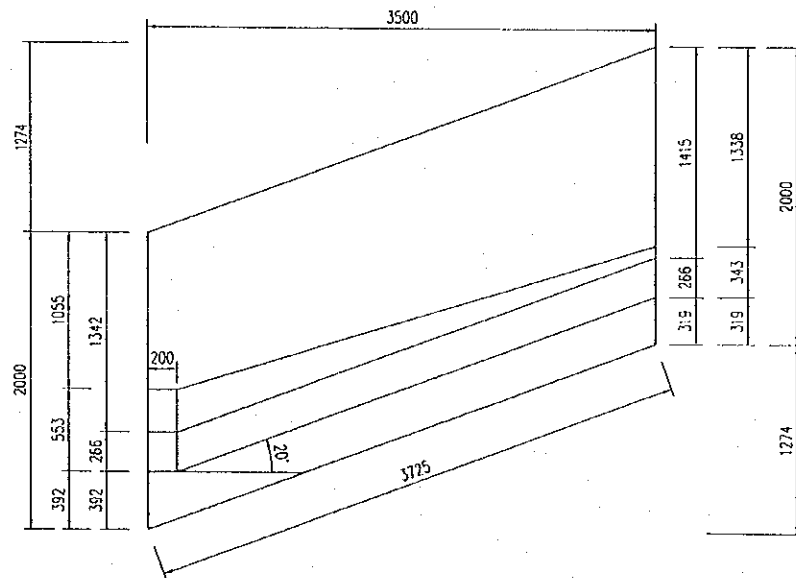


- NOTES :
- 1- ALL DIMENSIONS ARE IN MILLIMETER UNLESS OTHERWISE INDICATED.
  - 2- ELEVATIONS ARE IN METERS IN REFERENCE TO THE NATIONAL DATUM LEVEL.
  - 3- DETAIL A IS SHOWN IN THE DOCUMENT OF APPROACH ROAD - DRAWING No P1/MS/0180.

PROJECT NAME	IMPLEMENTATION AGENCY	EXECUTING AGENCY	JICA STUDY TEAM	PREPARED BY	CHECKED BY	APPROVED BY	DRAWING TITLE	DWG NO.
DETAILED DESIGN OF THE CAN THO BRIDGE CONSTRUCTION PROJECT	JAPAN INTERNATIONAL COOPERATION AGENCY (JICA)	SOCIALIST REPUBLIC OF VIET NAM MINISTRY OF TRANSPORT (MOT) MY THUAN PROJECT MANAGEMENT UNIT	NIPPON KOEI CO.,LTD.	NAME K. Nemoto SIGNATURE <i>K. Nemoto</i> DATE 20/9/2000	NAME K. Nakai SIGNATURE <i>K. Nakai</i> DATE 24/9/2000	NAME K. Enomoto SIGNATURE <i>K. Enomoto</i> DATE 5/10/2000	GENERAL VIEW OF BOX CULVERT STATION 2 + 150	P1/BC/0350



**PLAN**  
SCALE 1:50



**NOTES:**

- 1- ALL DIMENSIONS ARE IN MILLIMETER UNLESS OTHERWISE INDICATED.
- 2- THIS WING WALL IS USED FOR CULVERTS AT STATIONS IN THE TABLE.

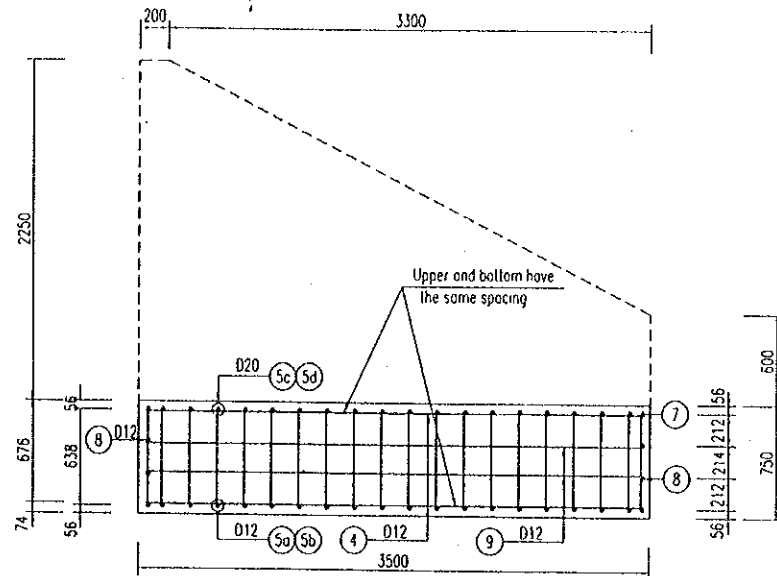
No	STATION	ELEVATION
01	02+150	-0.69
02	02+835	-0.61

PROJECT NAME	IMPLEMENTATION AGENCY	EXECUTING AGENCY	JICA STUDY TEAM	PREPARED BY	CHECKED BY	APPROVED BY	DRAWING TITLE	DWG NO.
DETAILED DESIGN OF THE CAN THO BRIDGE CONSTRUCTION PROJECT	JAPAN INTERNATIONAL COOPERATION AGENCY (JICA)	SOCIALIST REPUBLIC OF VIET NAM MINISTRY OF TRANSPORT (MOT) MY THUAN PROJECT MANAGEMENT UNIT	NIPPON KOEI CO.,LTD.	NAME: K. Nemoto SIGNATURE: <i>K. Nemoto</i> DATE: 20/9/2000	NAME: K. Nakai SIGNATURE: <i>K. Nakai</i> DATE: 29/9/2000	NAME: K. Enomoto SIGNATURE: <i>K. Enomoto</i> DATE: 5/10/2000	GENERAL VIEW OF WINGWALL STATION 2+150	P1/BC/0360

D:\Cantho 9-2000\Drawings4\PI-Vinh long side\PI-BC-0370.dwg Fri Sep 01 14:37:28 2000 TRAN TRONG AN

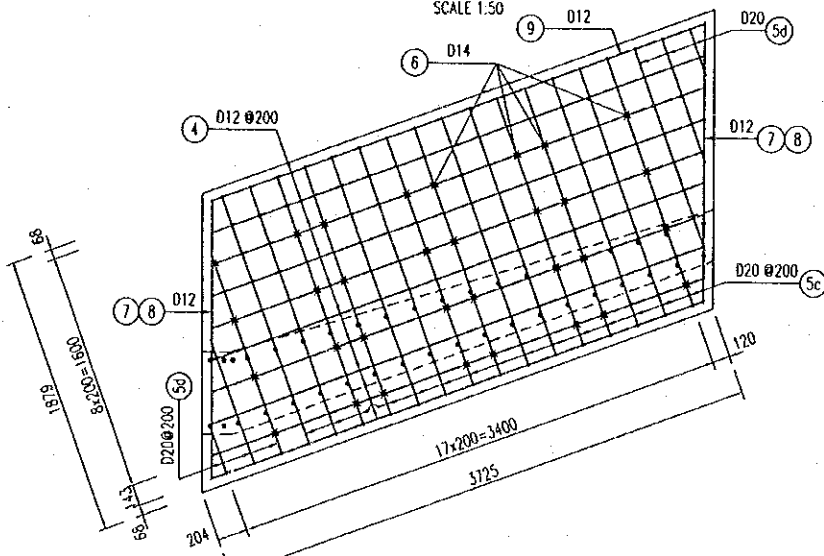
### REINFORCEMENT OF FOOTING

SCALE 1:50



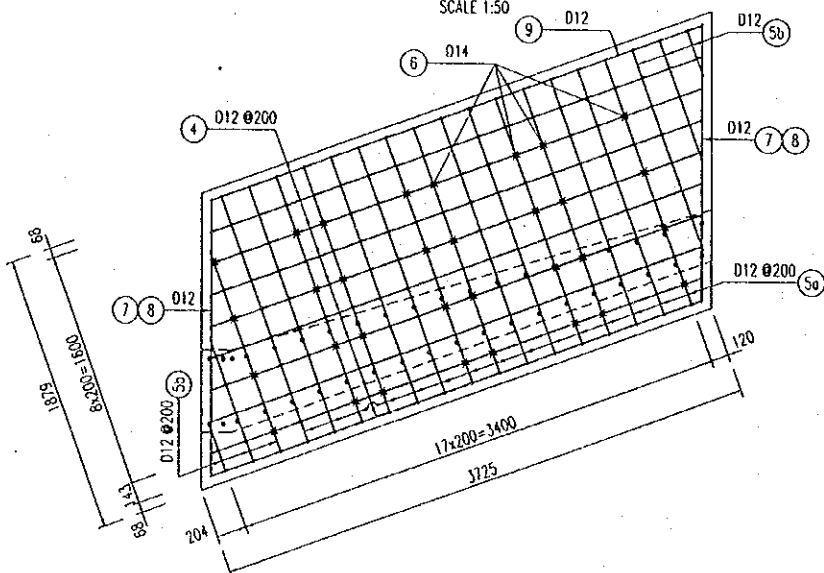
### TOP REINFORCEMENT

SCALE 1:50



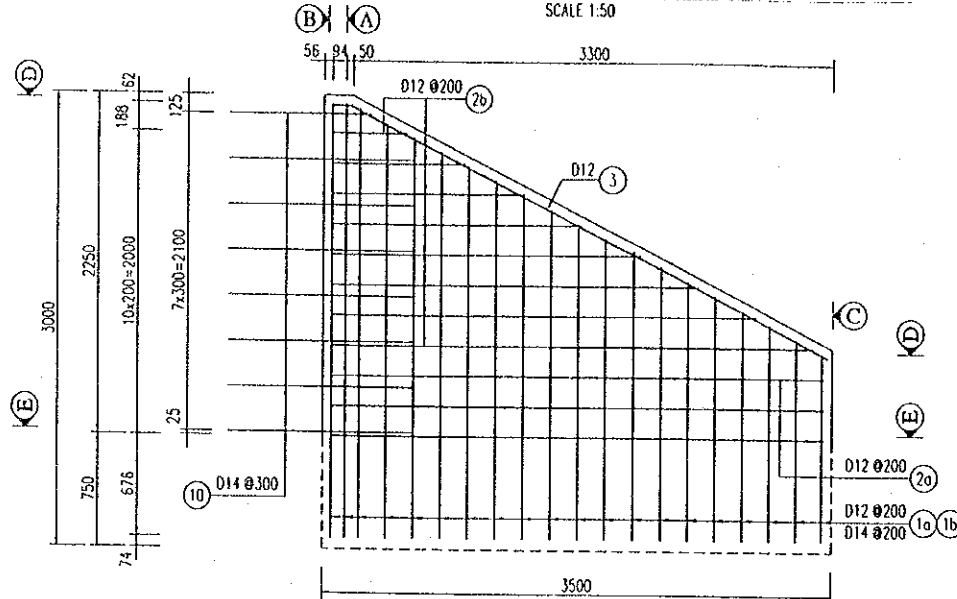
### BOTTOM REINFORCEMENT

SCALE 1:50



### REINFORCEMENT OF WING WALL

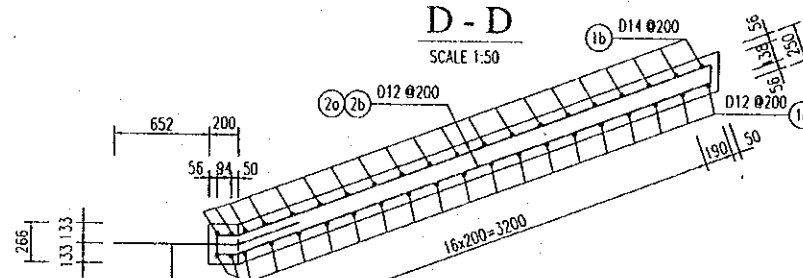
SCALE 1:50



B-A

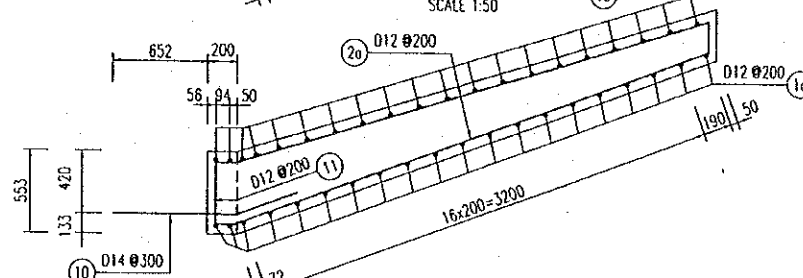
### D-D

SCALE 1:50



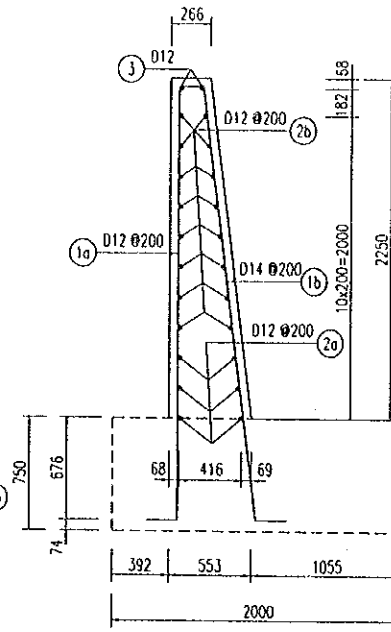
### E-E

SCALE 1:50



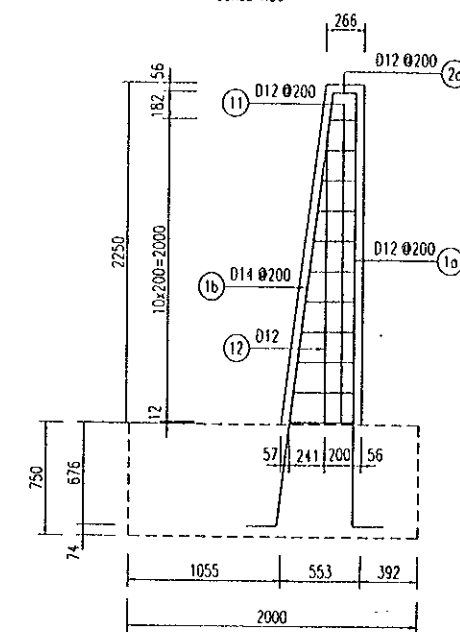
### A-A

SCALE 1:50



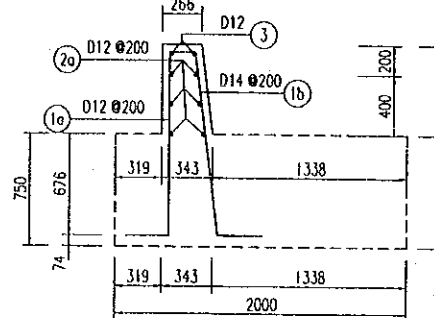
### B-B

SCALE 1:50



### C-C

SCALE 1:50



No	STATION
01	02+150
02	02+835

### QUANTITIES TABLE

BAR MARK	UNIT LENGTH (MM)	DIAMETER (MM)	NUMBER OF BAR	UNIT WEIGHT (KG/M)	TOTAL LENGTH (M)	TOTAL WEIGHT (KG)
1a	2258	12	20	0.888	45.2	40.1
1b	2310	14	20	1.208	46.2	55.8
2a	3723	12	6	0.888	22.3	19.8
2b	2100	12	16	0.888	33.6	29.8
2c	582	12	20	0.888	11.6	10.3
3	4254	12	2	0.888	8.5	7.6
4	4429	12	20	0.888	88.6	78.6
5a	3043	12	15	0.888	45.6	40.5
5b	2150	12	6	0.888	12.9	11.5
5c	2467	20	15	2.466	37.0	91.3
5d	1574	20	6	2.466	9.4	23.3
6	2444	14	16	1.208	39.1	47.3
7	2301	12	4	0.888	9.2	8.2
8	2301	12	4	0.888	9.2	8.2
9	3605	12	4	0.888	14.4	12.8
10	1304	14	8	1.208	10.4	12.6
11	744	12	11	0.888	8.2	7.3
12	2143	12	1	0.888	2.1	1.9
CONCRETE : 7.02 M <sup>3</sup>				REINFORCEMENT : D<14 392.2 KG		
				REINFORCEMENT : 14<D<=25 114.6 KG		
				TOTAL REINFORCEMENT : 506.8 KG		

### NOTES:

- ALL DIMENSIONS ARE IN MILLIMETER UNLESS OTHERWISE INDICATED.
- THE QUANTITIES TABLE IS ONLY CALCULATED FOR ONE WING WALL.
- THIS WING WALL IS USED FOR BOX CULVERTS AT STATIONS IN THE ABOVE TABLE.

PROJECT NAME	IMPLEMENTATION AGENCY	EXECUTING AGENCY	JICA STUDY TEAM	PREPARED BY	CHECKED BY	APPROVED BY	DRAWING TITLE	DWG NO.
DETAILED DESIGN OF THE CAN THO BRIDGE CONSTRUCTION PROJECT	JICA JAPAN INTERNATIONAL COOPERATION AGENCY (JICA)	SOCIALIST REPUBLIC OF VIET NAM MINISTRY OF TRANSPORT (MOT) MY THUAN PROJECT MANAGEMENT UNIT	NK NIPPON KOEI CO.,LTD.	K. Nemoto	K. Nakai	K. Enomoto	REINFORCEMENT OF WING WALL STATION 2+150	PI/BC/0370
				DATE: 20/9/2000	DATE: 29/9/2000	DATE: 5/10/2000		