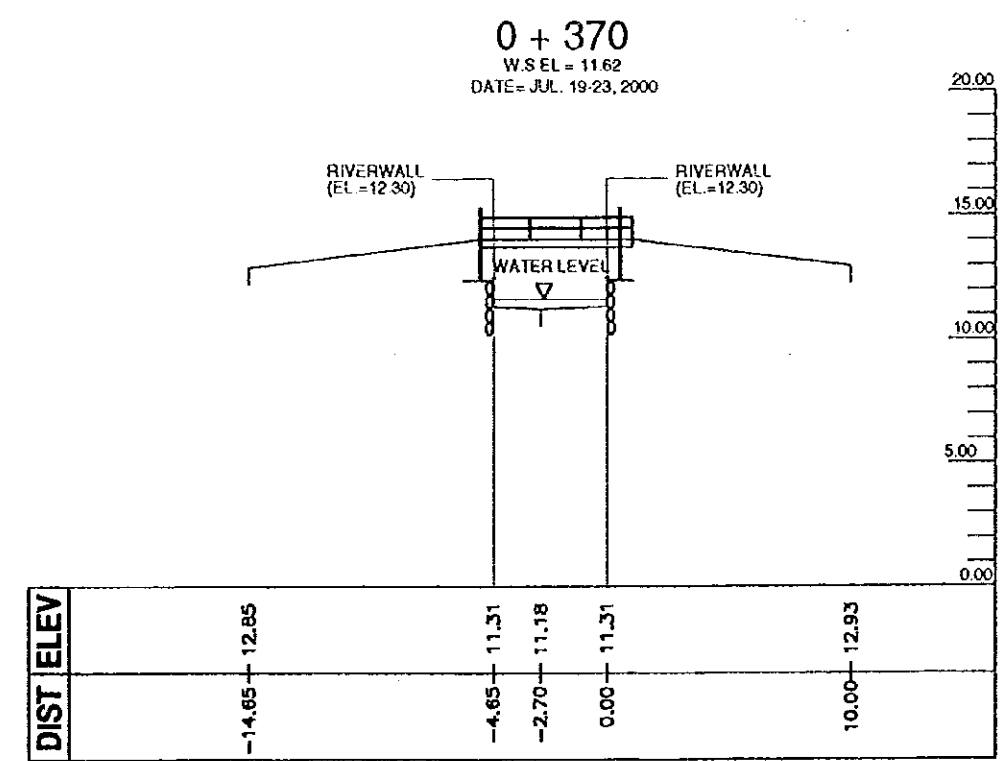
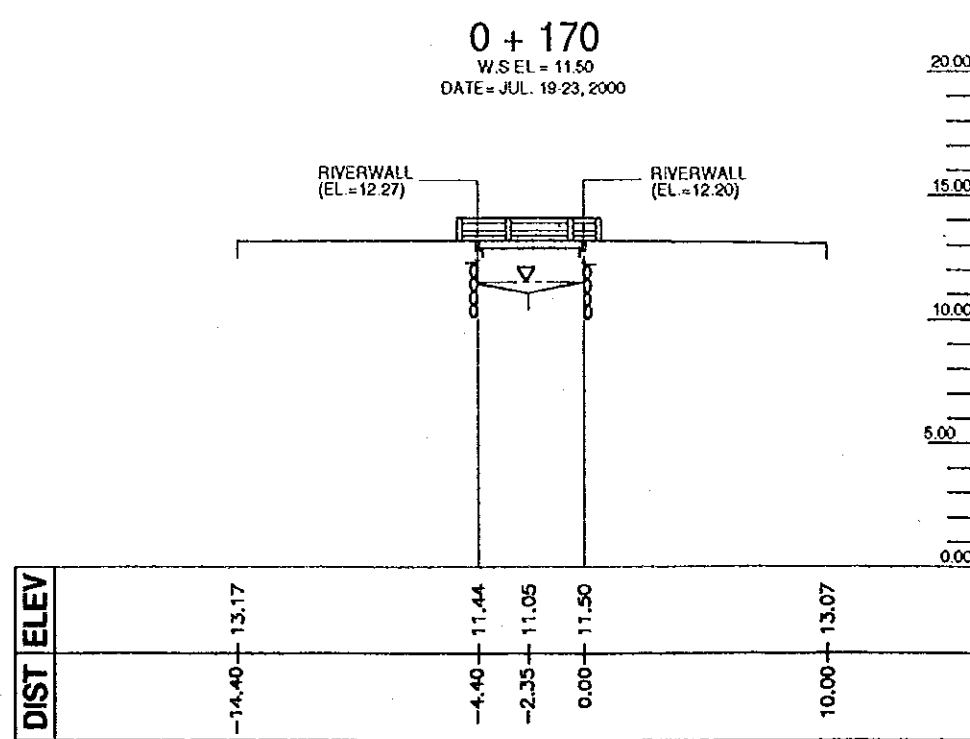
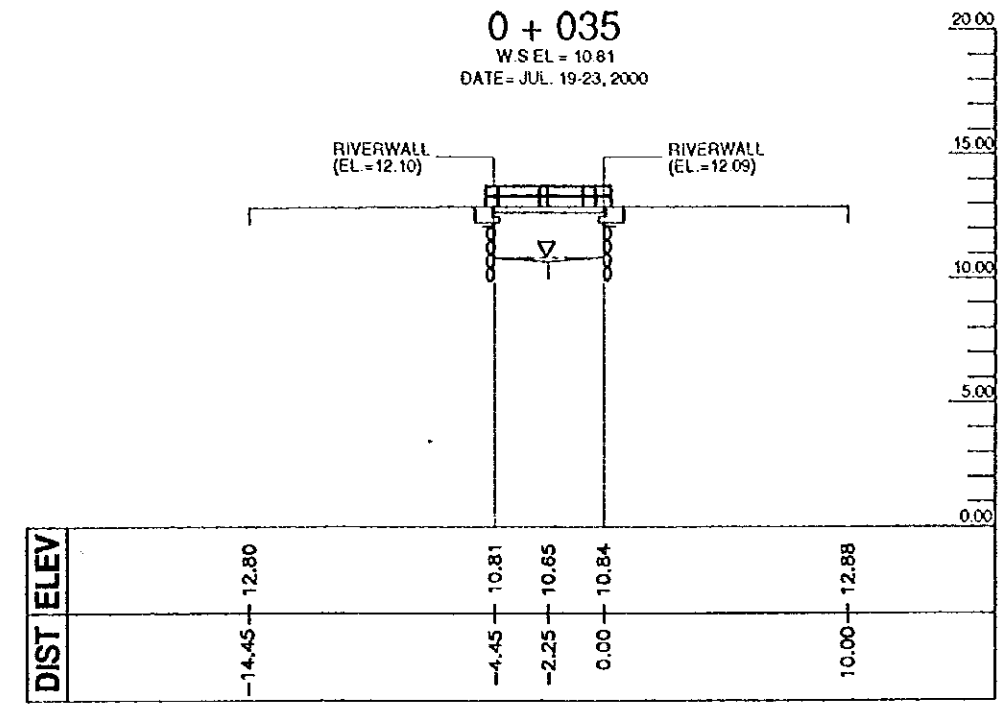
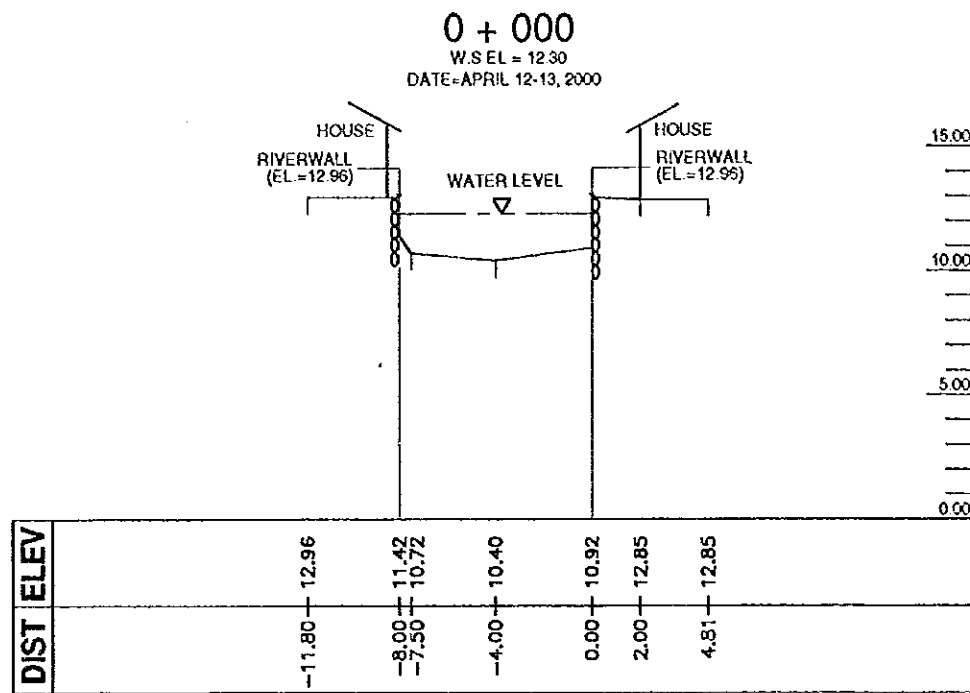
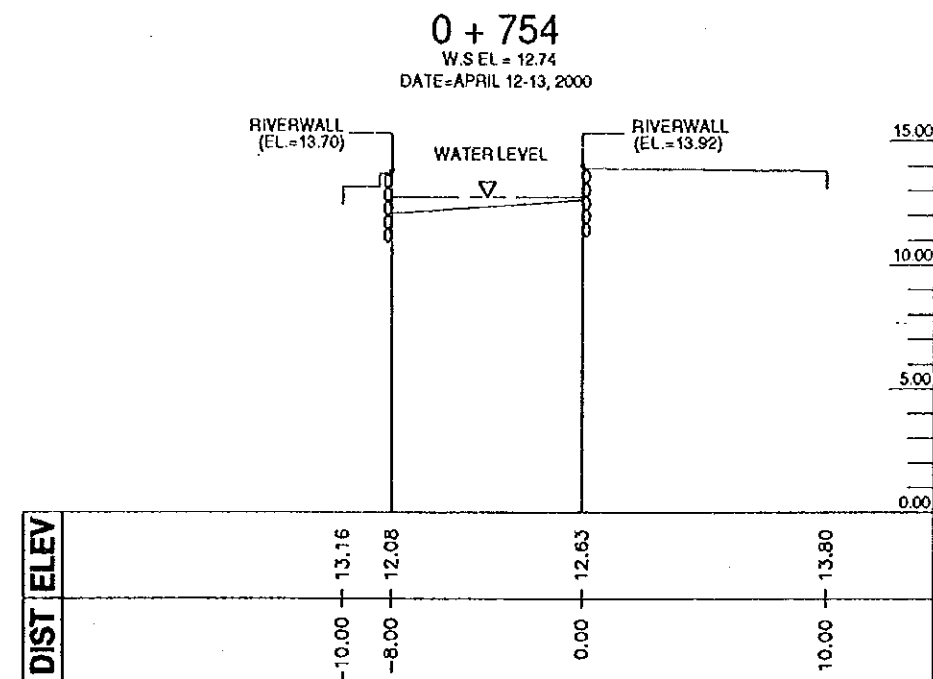
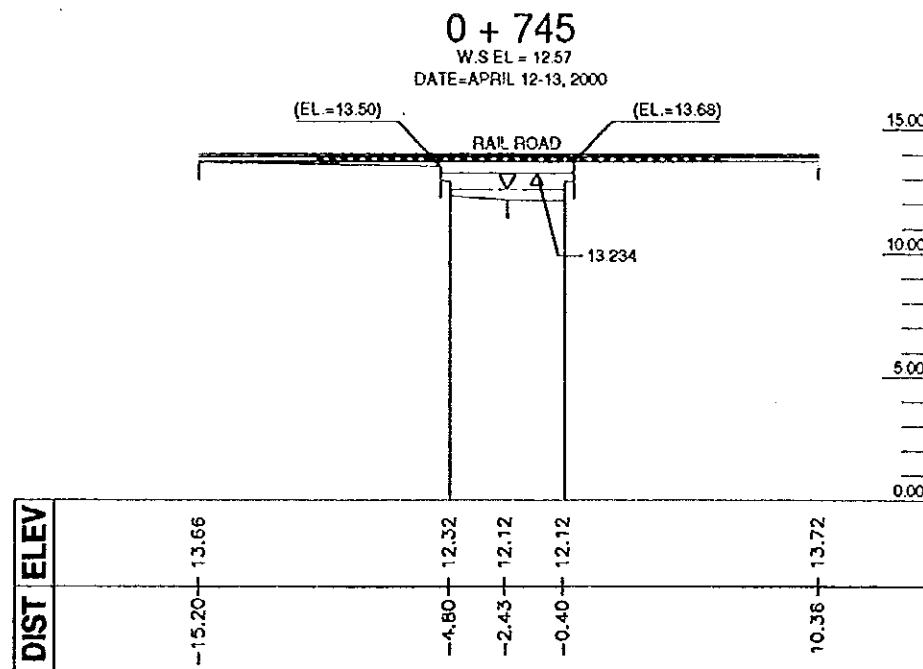
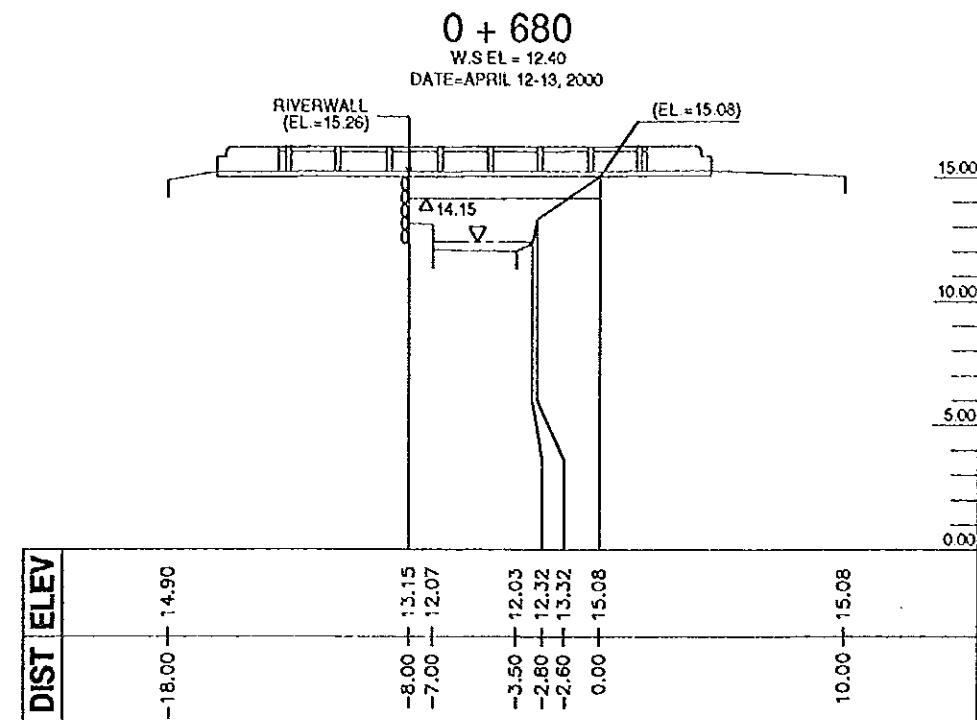
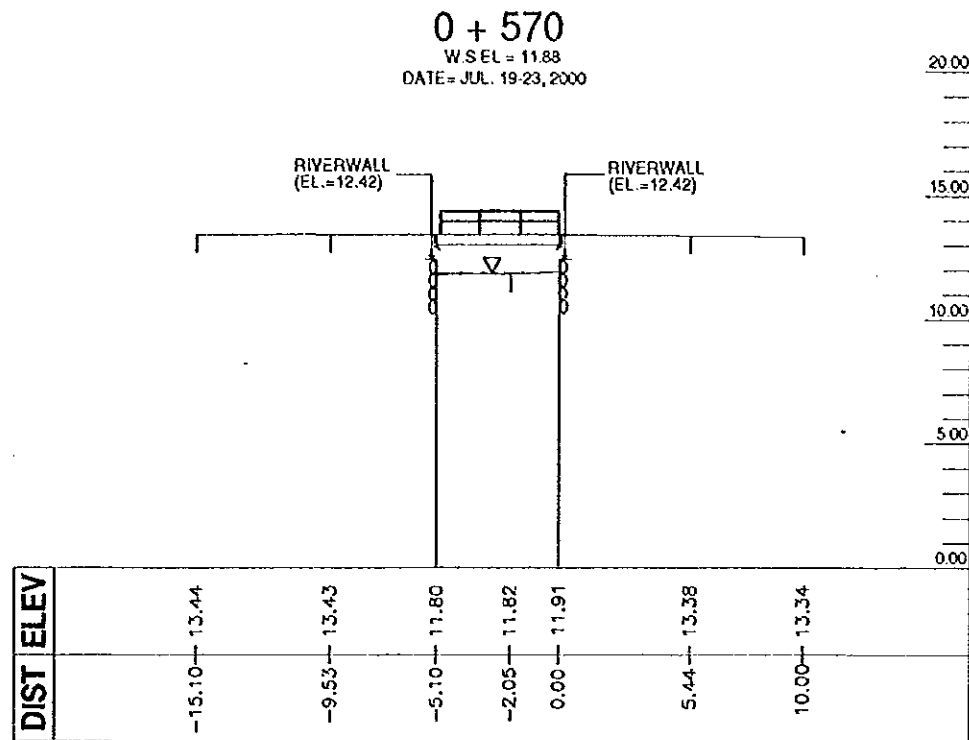


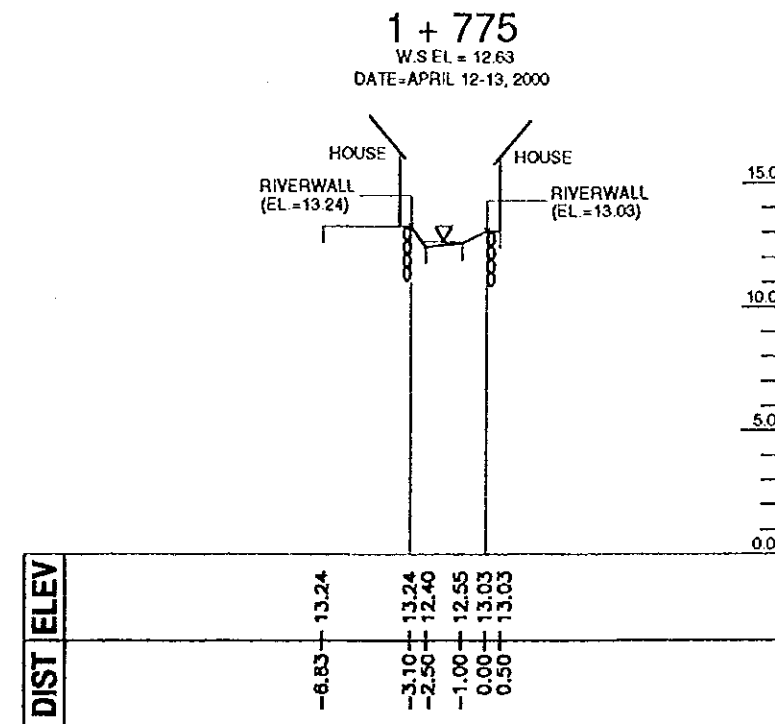
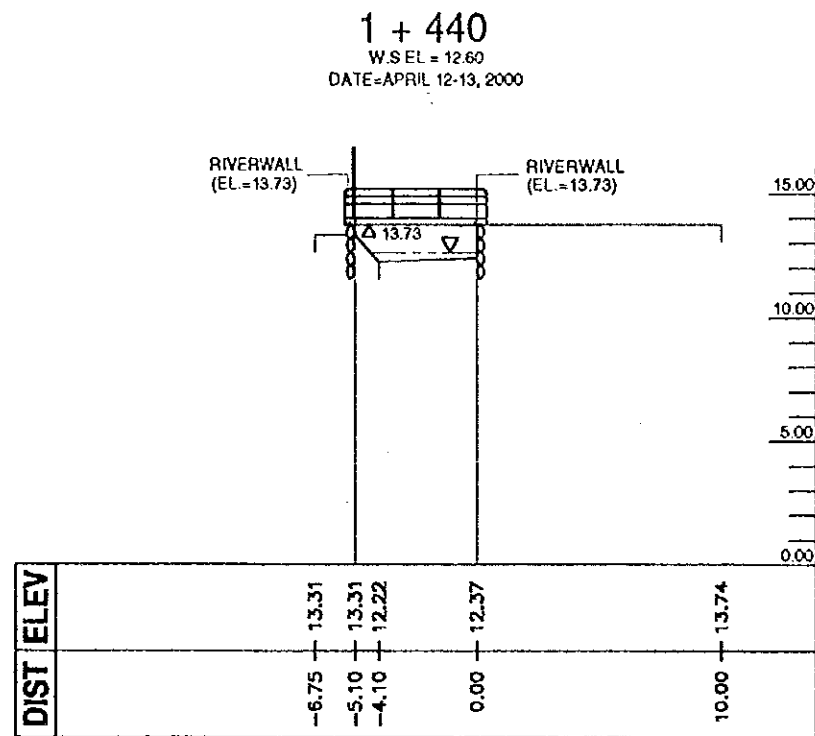
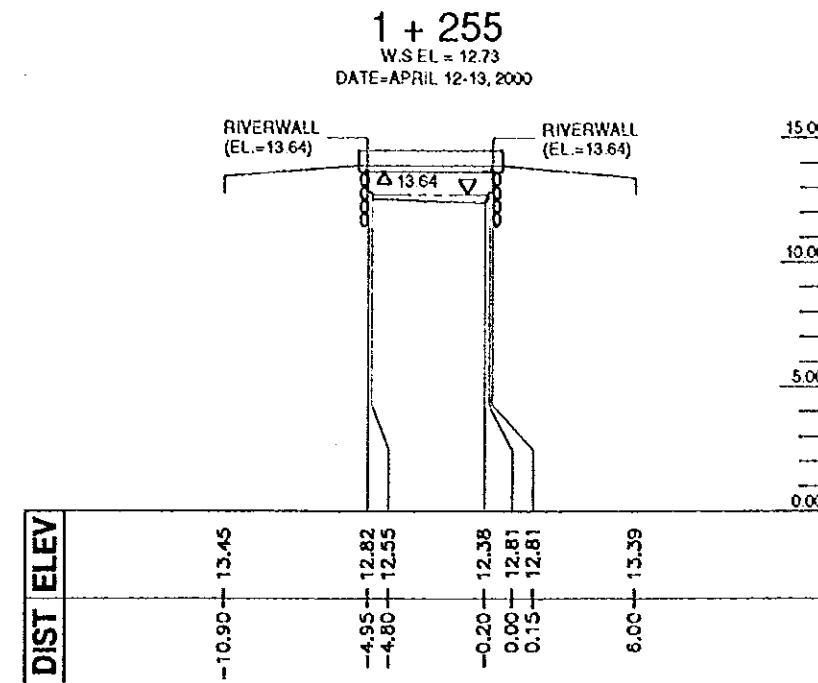
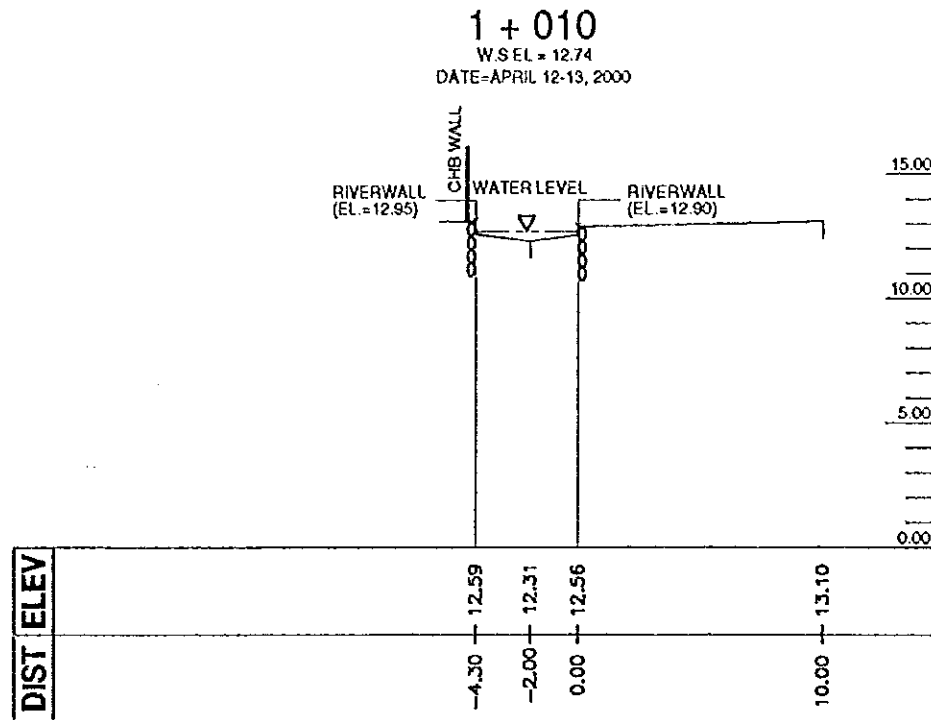
# **CALATAGAN CREEK**




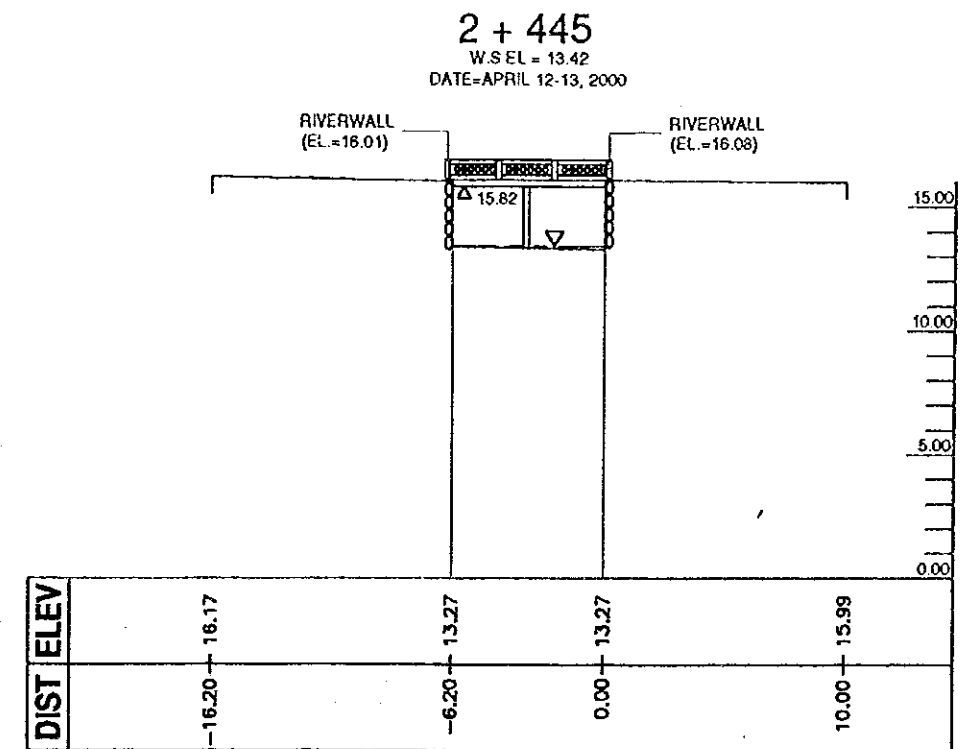
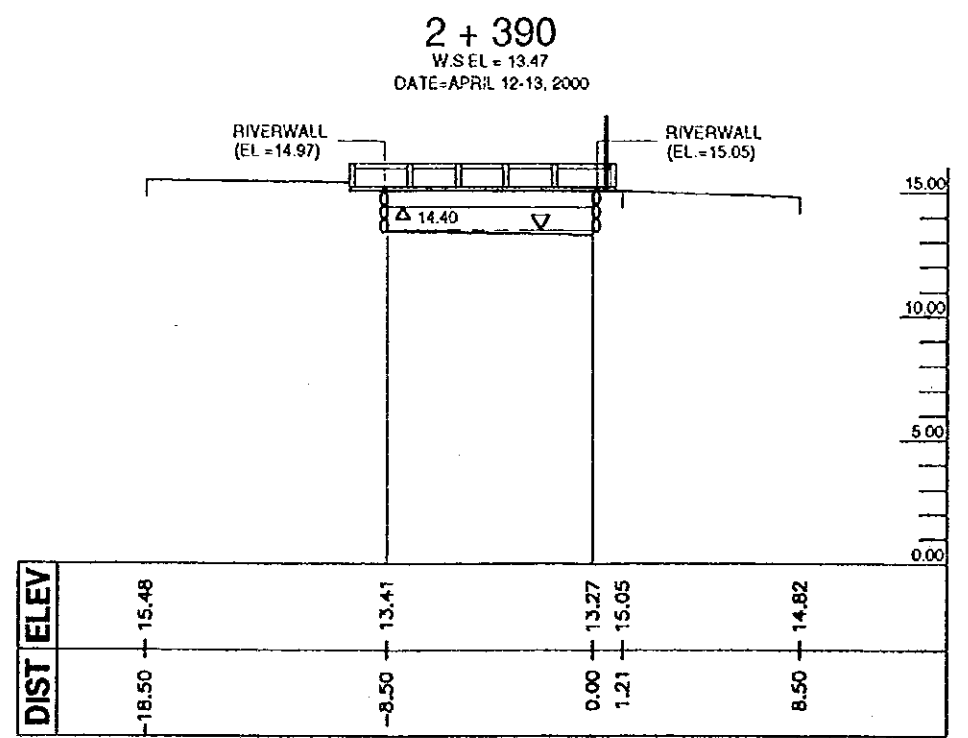
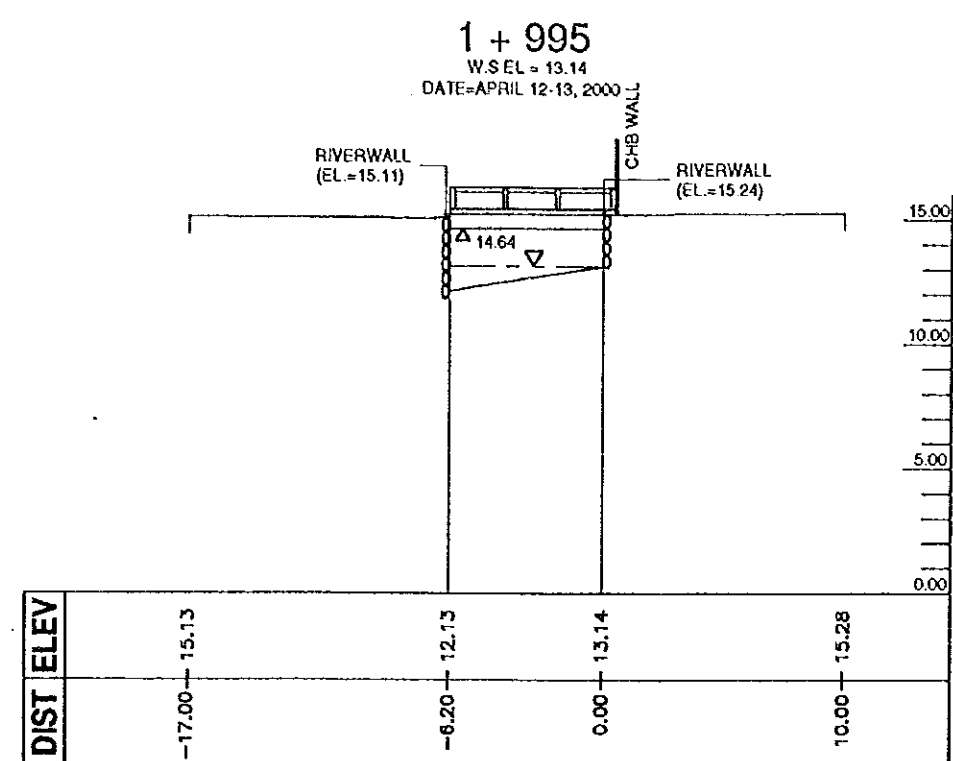
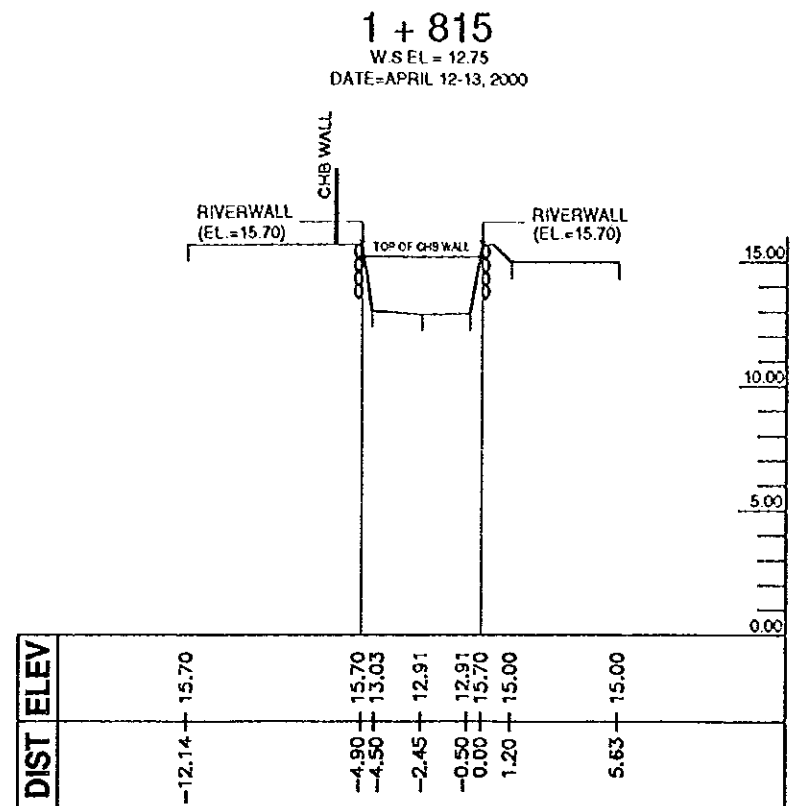
CONSULTANTS WOODFIELDS CONSULTANTS, INC. 2001 MARKET ST. BASIC TECHNOLOGY AND MANAGEMENT CORPORATION CTI Engineering International Co., Ltd. 12783	DESIGN: _____	SUBMITTED _____	DEPARTMENT OF PUBLIC WORKS AND HIGHWAYS PROJECT MANAGEMENT OFFICE FOR MAJOR FLOOD CONTROL PROJECTS	RECOMMENDING APPROVAL:			APPROVED: _____	PROJECT & LOCATION	SHT. CONTENTS	SET NO.	SHT. NO.	
	DRAWN: _____	PROJ. MANAGER _____		PROJECT DIRECTOR _____	REGIONAL DIRECTOR _____	DIRECTOR BOB _____	UNDERSECRETARY _____	SECRETARY _____	STUDY ON THE EXISTING DRAINAGE LATERALS IN METRO MANILA	CALATAGAN CREEK STA. 0 + 000, 0 + 035, 0 + 170, 0 + 370 SCALE: H=1:300 V=1:300		
	CHECKED: _____			DATE: _____	DATE: _____	DATE: _____	DATE: _____	DATE: _____				



CONSULTANT: WOODFIELDS CONSULTANTS, INC. BASIC TECHNOLOGY AND MANAGEMENT CORPORATION CTE Engineering International Co., Ltd.	DESIGN: _____	SUBMITTED: _____	DEPARTMENT OF PUBLIC WORKS AND HIGHWAYS PROJECT MANAGEMENT OFFICE FOR MAJOR FLOOD CONTROL PROJECTS	RECOMMENDING APPROVAL:			APPROVED:	PROJECT & LOCATION	SHT. CONTENTS	SET NO.	SHT. NO.
	DRAWN: _____	PROJ. MANAGER: _____		PROJECT DIRECTOR DATE: _____	REGIONAL DIRECTOR DATE: _____	DIRECTOR BOD DATE: _____	SEE COVER PAGE FOR THE SIGNATURE OF UNDERSECRETARY DATE: _____	SEE COVER PAGE FOR THE SIGNATURE AND APPROVAL OF THE SECRETARY DATE: _____	STUDY ON THE EXISTING DRAINAGE LATERALS IN METRO MANILA	CALATAGAN CREEK STA. 0 + 570, 0 + 680, 0 + 745, 0 + 754 SCALE: H=1:300 V=1:300	

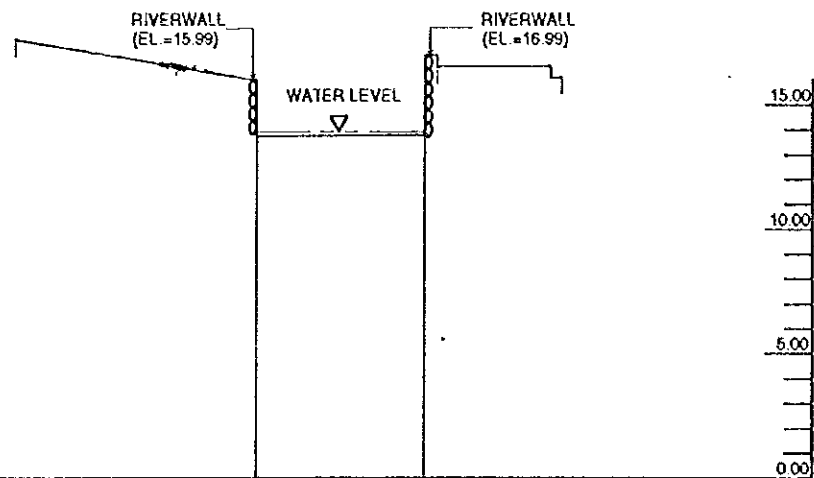


CONSULTANTS WOODFIELDS CONSULTANTS, INC. <small>IN 2001 MERGED WITH</small> BASIC TECHNOLOGY AND MANAGEMENT CORPORATION CTI Engineering International Co., Ltd. <small>ADVISOR</small>	DESIGN: _____	SUBMITTED: _____	 DEPARTMENT OF PUBLIC WORKS AND HIGHWAYS PROJECT MANAGEMENT OFFICE FOR MAJOR FLOOD CONTROL PROJECTS	RECOMMENDING APPROVAL:			APPROVED:	PROJECT & LOCATION	SH. CONTENTS	BET. NO.	SH. NO.
	DRAWN: _____	PROJ. MANAGER: _____		PROJECT DIRECTOR DATE: _____	REGIONAL DIRECTOR DATE: _____	DIRECTOR BOO DATE: _____	SEE COVER PAGE FOR THE SIGNATURE OF UNDERSECRETARY DATE: _____	SEE COVER PAGE FOR THE SIGNATURE AND APPROVAL OF THE SECRETARY DATE: _____	STUDY ON THE EXISTING DRAINAGE LATERALS IN METRO MANILA	CALATAGAN CREEK STA. 1 + 010, 1 + 255, 1 + 440, 1 + 775 SCALE: H=1:300 V=1:300	



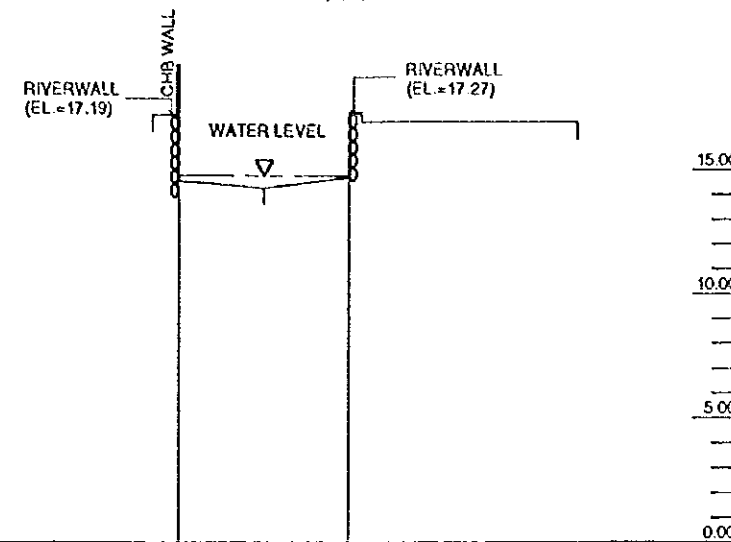
CONSULTANTS WOODFIELDS CONSULTANTS, INC. BASIC TECHNOLOGY AND MANAGEMENT CORPORATION CTI Engineering International Co., Ltd.	DESIGN: _____	SUBMITTED _____	DEPARTMENT OF PUBLIC WORKS AND HIGHWAYS PROJECT MANAGEMENT OFFICE FOR MAJOR FLOOD CONTROL PROJECTS	RECOMMENDING APPROVAL:			APPROVED: _____	PROJECT & LOCATION	SHT. CONTENTS	SET NO.	SHT. NO.
	DRAWN: _____	PROJ. MANAGER _____		PROJECT DIRECTOR _____	REGIONAL DIRECTOR _____	DIRECTOR BOO _____	UNDERSECRETARY _____	SECRETARY _____	STUDY ON THE EXISTING DRAINAGE LATERALS IN METRO MANILA	CALATAGAN CREEK STA. 1 + 815, 1 + 995, 2 + 390, 2 + 445 SCALE: H=1:300 V=1:300	

2 + 695  
W.S EL = 13.93  
DATE=APRIL 12-13, 2000



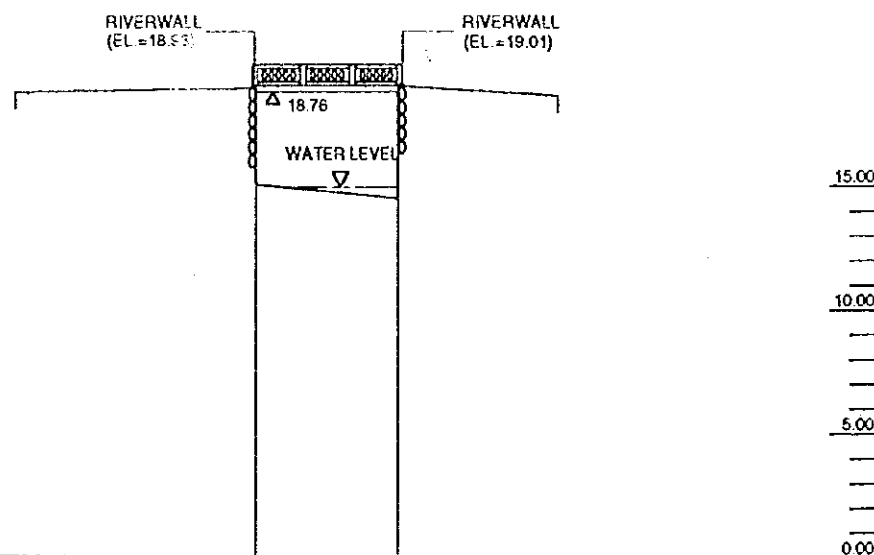
DIST	ELEV
-17.00	17.65
-7.00	13.75
0.00	13.78
0.50	16.54
5.84	16.09

2 + 840  
W.S EL = 14.76  
DATE=APRIL 12-13, 2000



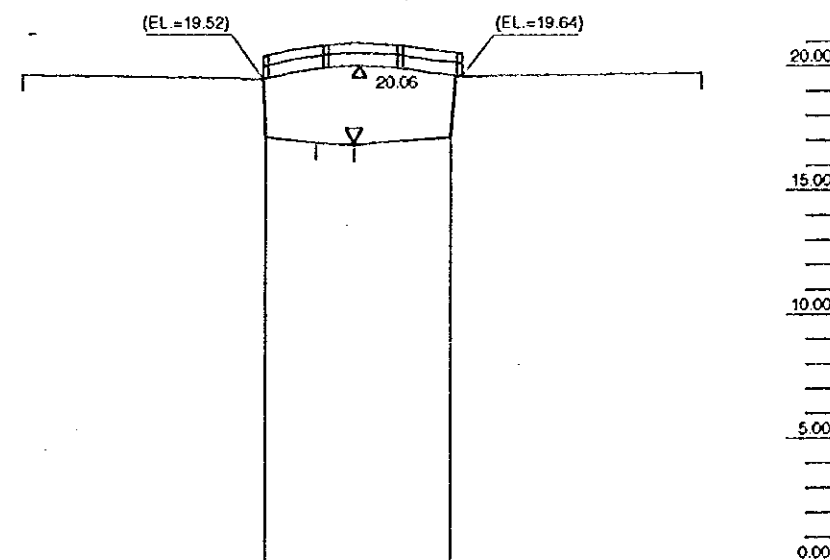
DIST	ELEV
-8.10	17.19
-7.00	14.54
-3.50	14.27
0.00	14.76
9.30	16.92

3 + 140  
W.S EL = 14.92  
DATE=APRIL 12-13, 2000



DIST	ELEV
-16.00	18.75
-6.00	15.02
0.00	14.47
6.50	18.60

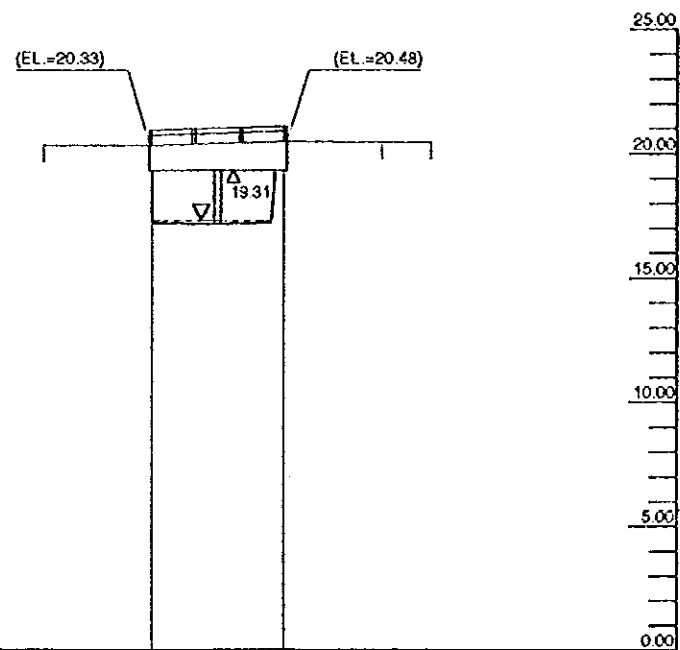
3 + 600  
W.S EL = 16.94  
DATE=JUNE 14, 2000



DIST	ELEV
-13.75	19.89
-3.65	17.19
-1.60	16.95
0.00	16.86
4.00	17.17
14.20	19.74

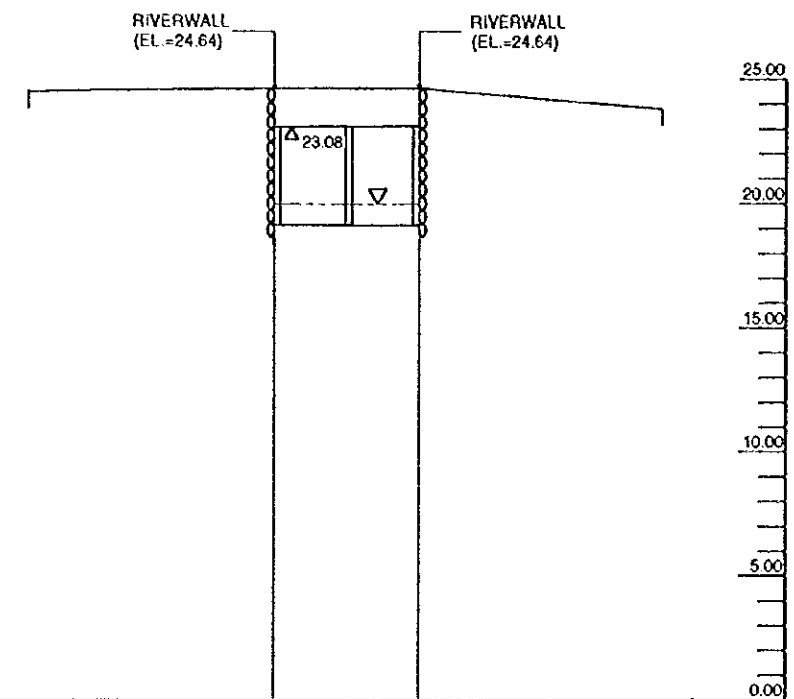
CONSULTANTS WOODFIELDS CONSULTANTS, INC. & ASSOCIATES, INC. BASIC TECHNOLOGY AND MANAGEMENT CORPORATION CTI Engineering International Co., Ltd.	DESIGN:	SUBMITTED:	DEPARTMENT OF PUBLIC WORKS AND HIGHWAYS PROJECT MANAGEMENT OFFICE FOR MAJOR FLOOD CONTROL PROJECTS	RECOMMENDING APPROVAL:			APPROVED:	PROJECT & LOCATION	SHT. CONTENTS	BET NO.	SHT. NO.
	DRAWN:	PROJ. MANAGER		PROJECT DIRECTOR DATE:	REGIONAL DIRECTOR DATE:	DIRECTOR BOD DATE:	SEE COVER PAGE FOR THE SIGNATURE AND APPROVAL OF THE UNDERSECRETARY DATE:	SEE COVER PAGE FOR THE SIGNATURE AND APPROVAL OF THE SECRETARY DATE:	STUDY ON THE EXISTING DRAINAGE LATERALS IN METRO MANILA	CALATAGAN CREEK STA. 2 + 695, 2 + 840, 3 + 140, 3 + 600 SCALE: H=1:300 V=1:300	

3 + 810  
 W.S EL = 17.30  
 DATE=JUNE 14, 2000





DIST	ELEV
-10.00	20.59
-5.55	17.18
2.90	17.18
0.50	17.20
0.00	19.59
4.00	20.45
6.00	20.45

4 + 320  
 W.S EL = 19.99  
 DATE=APRIL 12-13, 2000

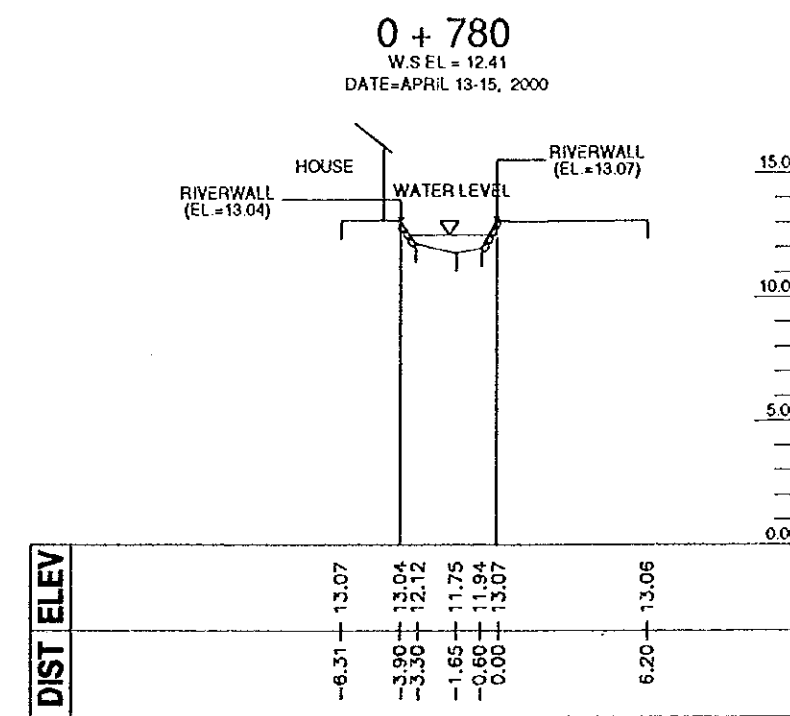
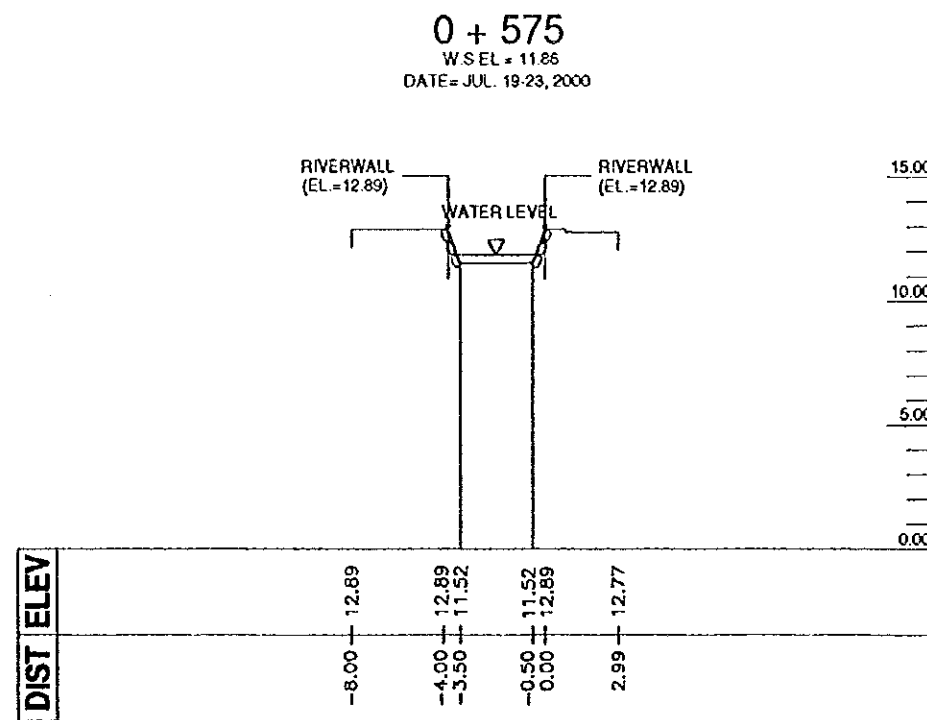
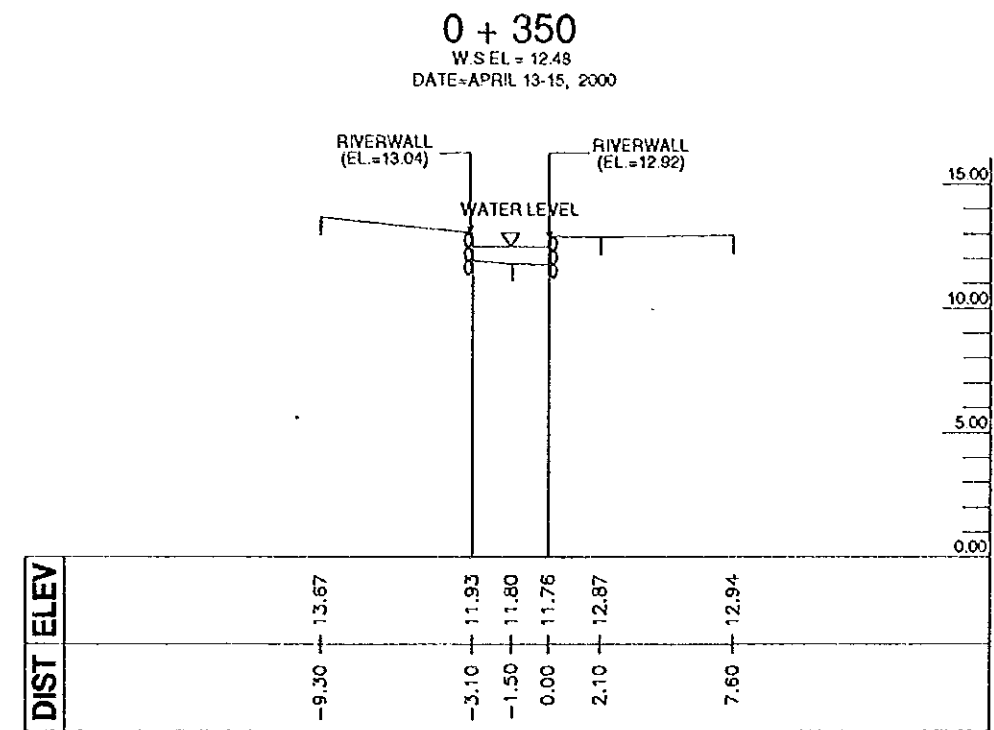
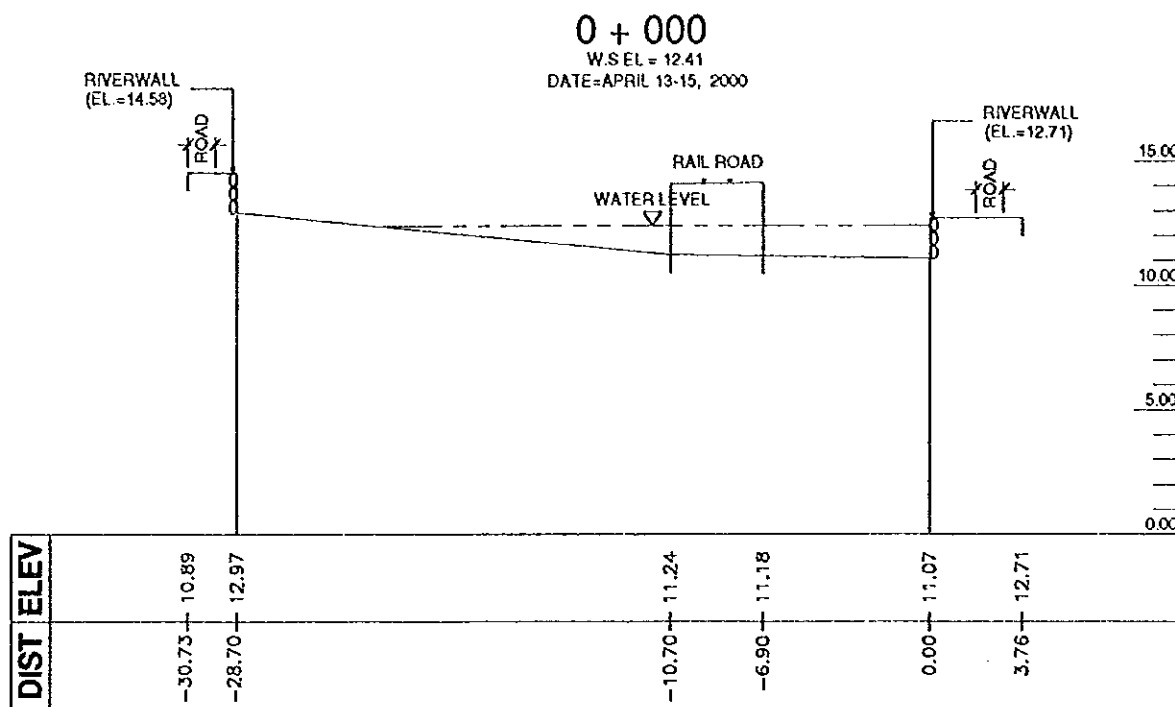



DIST	ELEV
-16.00	24.49
-6.00	19.14
0.00	19.14
10.00	23.82

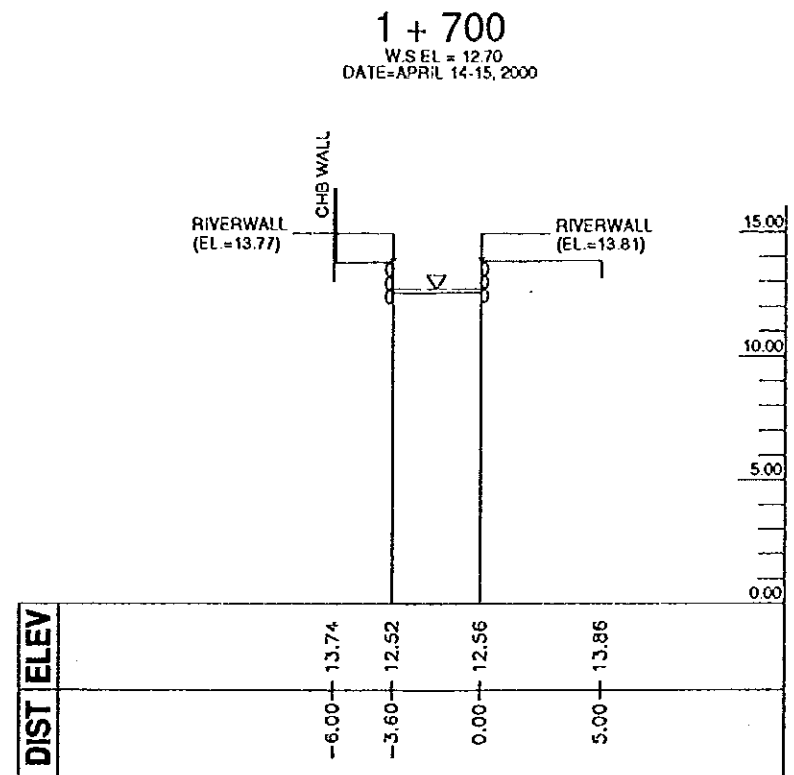
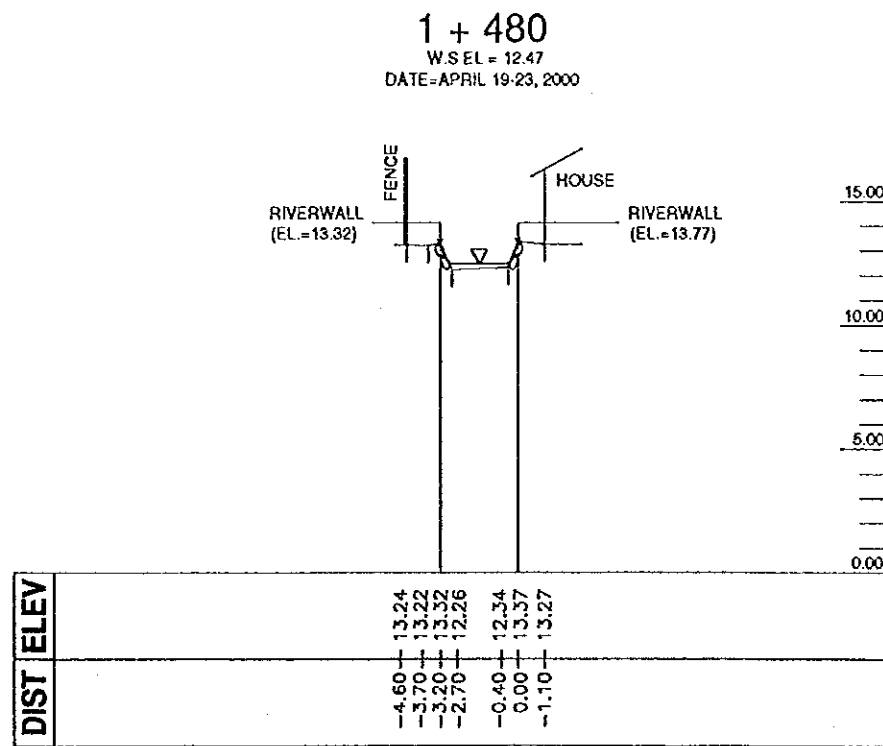
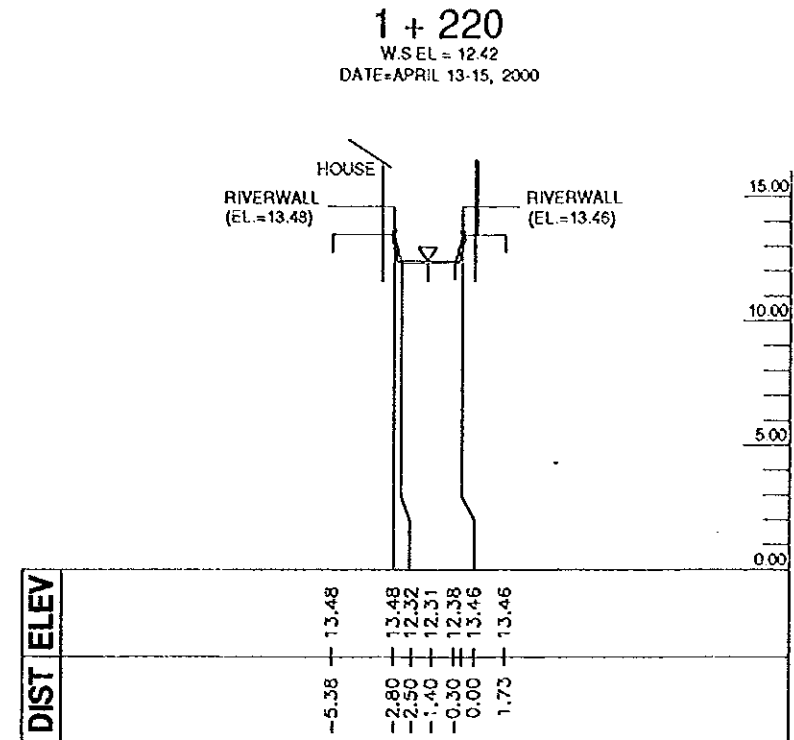
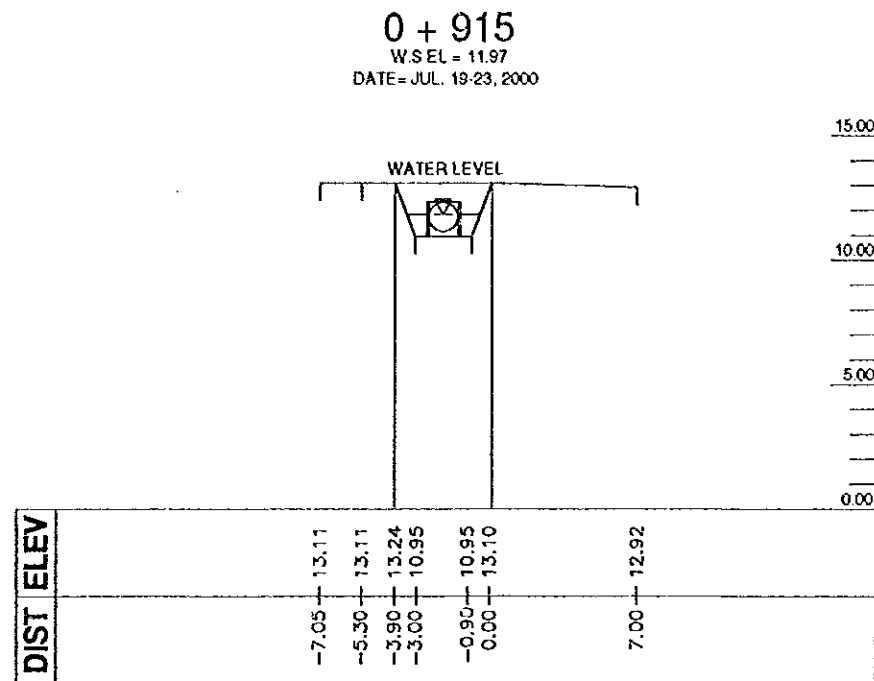
CONSULTANTS WOODFIELDS CONSULTANTS, INC. IN JOINT VENTURE WITH BASIC TECHNOLOGY AND MANAGEMENT CORPORATION CTE Engineering International Co., Ltd. ADVISOR	DESIGN:	SUBMITTED:	 DEPARTMENT OF PUBLIC WORKS AND HIGHWAYS PROJECT MANAGEMENT OFFICE FOR MAJOR FLOOD CONTROL PROJECTS	RECOMMENDING APPROVAL:			APPROVED:	PROJECT & LOCATION	BIT. CONTENTS	SET NO.	BIT. NO.
	DRAWN:	PROJ. MANAGER		PROJECT DIRECTOR DATE:	REGIONAL DIRECTOR DATE:	DIRECTOR BOB DATE:	SEE COVER PAGE FOR THE SIGNATURE OF UNDERSECRETARY DATE:	SEE COVER PAGE FOR THE SIGNATURE AND APPROVAL OF THE SECRETARY DATE:	STUDY ON THE EXISTING DRAINAGE LATERALS IN METRO MANILA	CALATAGAN CREEK STA. 3 + 810, 4 + 320 SCALE: H=1:300 V=1:300	
	CHECKED:										



**PNR OPEN CANAL**



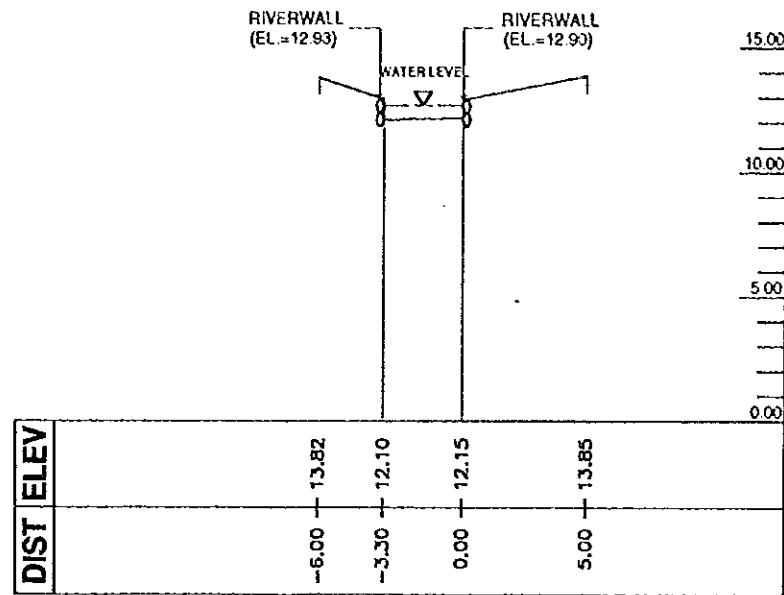


CONSULTANTS <b>WOODFIELDS CONSULTANTS, INC.</b> <small>IN PARTNERSHIP WITH:</small> <b>BASIC TECHNOLOGY AND MANAGEMENT CORPORATION</b> <small>CTI Engineering International Co., Ltd. ADVISOR</small>	DESIGN: _____	SUBMITTED: _____	 <b>DEPARTMENT OF PUBLIC WORKS AND HIGHWAYS</b> PROJECT MANAGEMENT OFFICE FOR MAJOR FLOOD CONTROL PROJECTS	RECOMMENDING APPROVAL:			APPROVED:		PROJECT & LOCATION STUDY ON THE EXISTING DRAINAGE LATERALS IN METRO MANILA	SHIT. CONTENTS PNR OPEN CANAL STA. 0 + 000, 0 + 350, 0 + 575, 0 + 780 SCALE: H=1:300 V=1:300	SET NO. _____ SHIT. NO. _____
	DRAWN: _____	PROJ. MANAGER: _____		PROJECT DIRECTOR DATE: _____	REGIONAL DIRECTOR DATE: _____	DIRECTOR BOB DATE: _____	SEE COVER PAGE FOR THE SIGNATURE OF UNDERSECRETARY DATE: _____	SEE COVER PAGE FOR THE SIGNATURE AND APPROVAL OF THE SECRETARY DATE: _____			

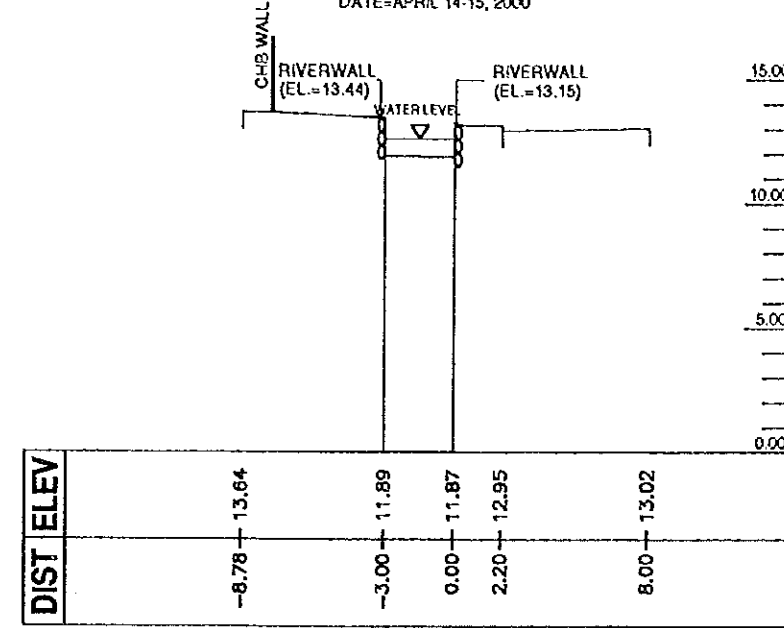


CONSULTANTS <b>WOODFIELDS CONSULTANTS, INC.</b> <small>INCORPORATED IN PHILIPPINES</small> <b>BASIC TECHNOLOGY AND MANAGEMENT CORPORATION</b> <b>CTI Engineering International Co., Ltd.</b> <small>ASIA, INC.</small>	DESIGN: _____	SUBMITTED: _____	 <b>DEPARTMENT OF PUBLIC WORKS AND HIGHWAYS</b> PROJECT MANAGEMENT OFFICE FOR MAJOR FLOOD CONTROL PROJECTS	RECOMMENDING APPROVAL:			APPROVED:		PROJECT & LOCATION	SHT. CONTENTS	SET NO.	SHT. NO.
	DRAWN: _____	PROJ. MANAGER: _____		PROJECT DIRECTOR DATE: _____	REGIONAL DIRECTOR DATE: _____	DIRECTOR BOD DATE: _____	SEE COVER PAGE FOR THE SIGNATURE OF UNDERSECRETARY DATE: _____	SEE COVER PAGE FOR THE SIGNATURE AND APPROVAL OF THE SECRETARY DATE: _____				
STUDY ON THE EXISTING DRAINAGE LATERALS IN METRO MANILA										PNR OPEN CANAL STA. 0 + 915, 1 + 220, 1 + 480, 1 + 700 SCALE: H=1:300 V=1:300		

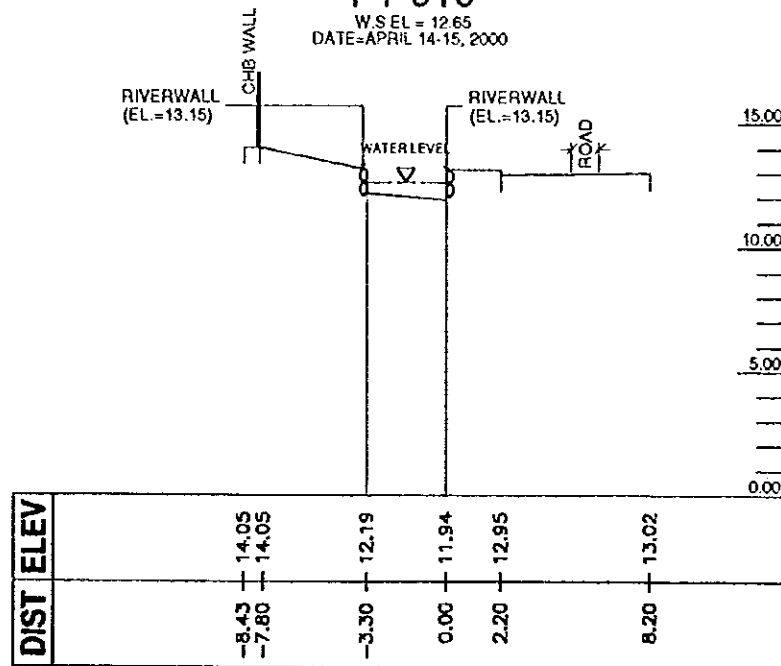
1 + 710  
 W.S EL = 12.68  
 DATE=APRIL 14-15, 2000



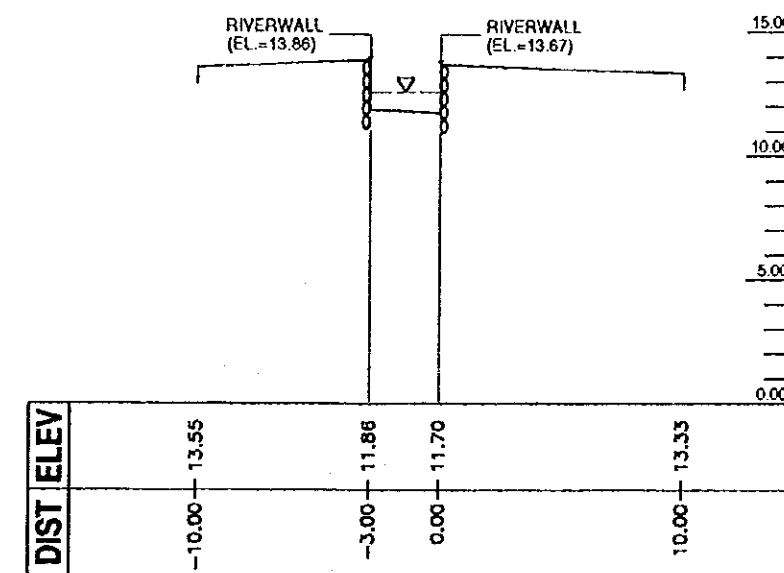
1 + 810  
 W.S EL = 12.60  
 DATE=APRIL 14-15, 2000



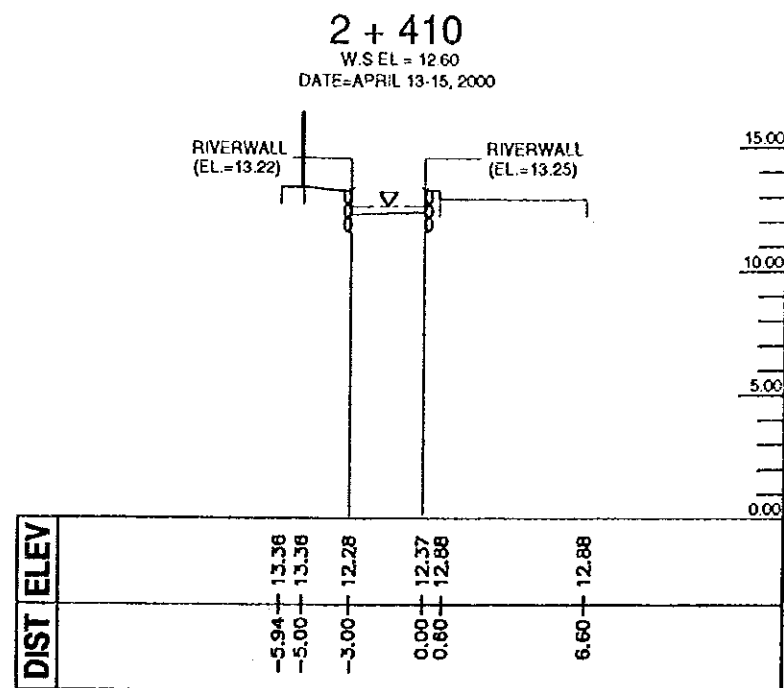
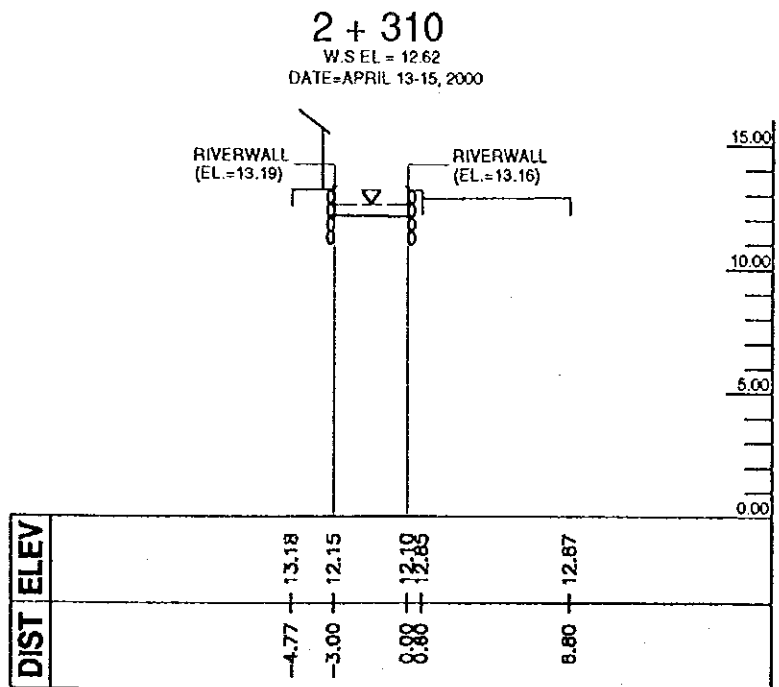
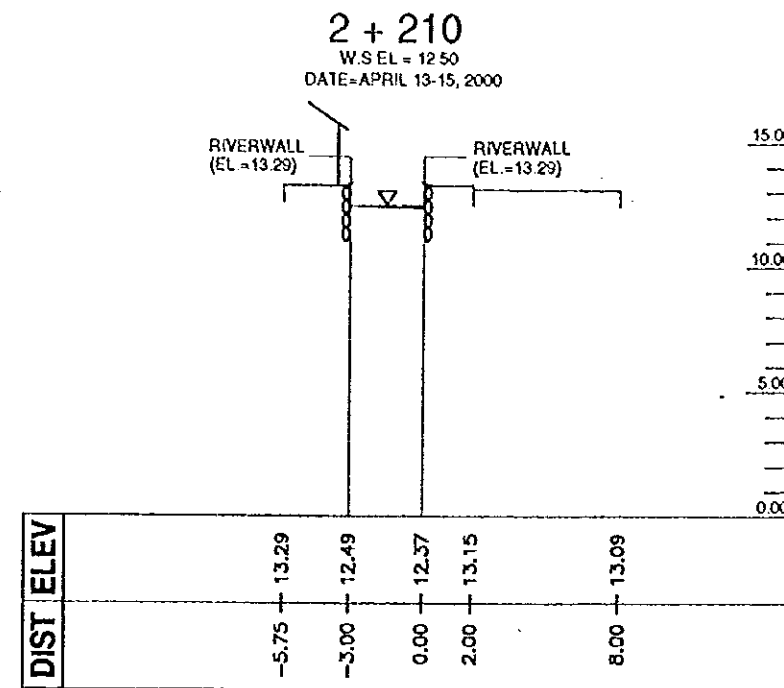
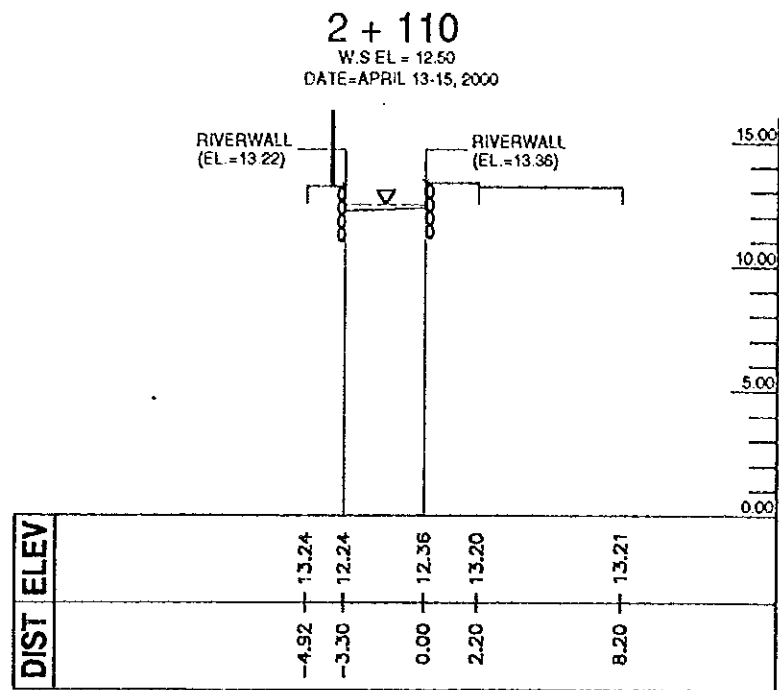
1 + 910  
 W.S EL = 12.65  
 DATE=APRIL 14-15, 2000



2 + 030  
 W.S EL = 12.58  
 DATE=APRIL 13-15, 2000

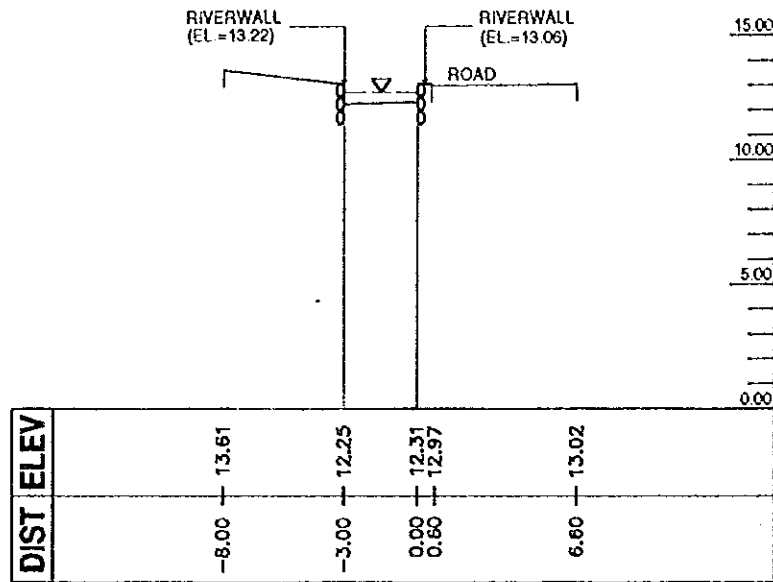


CONSULTANTS WOODFIELDS CONSULTANTS, INC. <small>IN JOINT VENTURE WITH</small> BASIC TECHNOLOGY AND MANAGEMENT CORPORATION CTI Engineering International Co., Ltd. <small>ADVISOR</small>	DESIGN:	SUBMITTED:	DEPARTMENT OF PUBLIC WORKS AND HIGHWAYS PROJECT MANAGEMENT OFFICE FOR MAJOR FLOOD CONTROL PROJECTS	RECOMMENDING APPROVAL:			APPROVED:	PROJECT & LOCATION	SH.T. CONTENTS	SET NO.	SH.T. NO.
	DRAWN:	PROJ. MANAGER		PROJECT DIRECTOR DATE:	REGIONAL DIRECTOR DATE:	DIRECTOR BOO DATE:	SEE COVER PAGE FOR THE SIGNATURE OF UNDERSECRETARY DATE: SEE COVER PAGE FOR THE SIGNATURE AND APPROVAL OF THE SECRETARY DATE:	STUDY ON THE EXISTING DRAINAGE LATERALS IN METRO MANILA	PNR OPEN CANAL STA. 1 + 710, 1 + 810, 1 + 910, 2 + 030 SCALE: H=1:300 V=1:300		

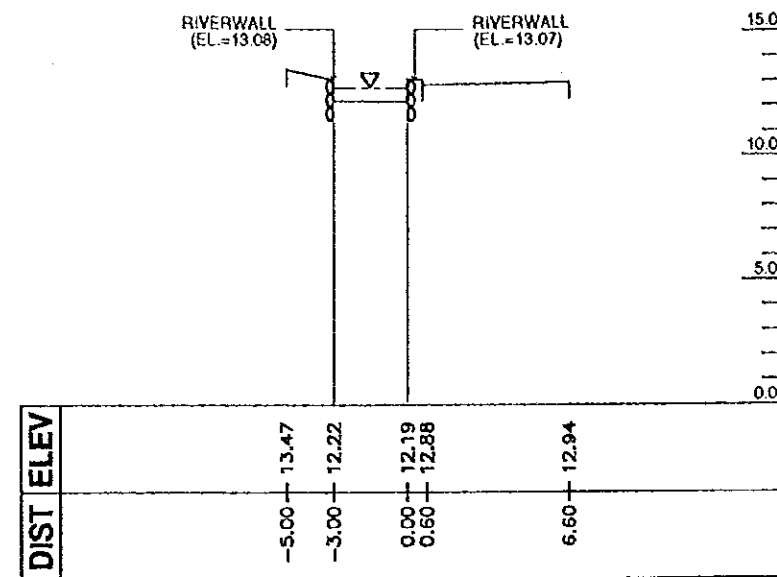


CONSULTANTS WOODFIELDS CONSULTANTS, INC. <small>IN JOINT VENTURE WITH</small> BASIC TECHNOLOGY AND MANAGEMENT CORPORATION CTE Engineering International Co., Ltd.	DESIGN:	SUBMITTED	DEPARTMENT OF PUBLIC WORKS AND HIGHWAYS PROJECT MANAGEMENT OFFICE FOR MAJOR FLOOD CONTROL PROJECTS	RECOMMENDING APPROVAL:			APPROVED:	PROJECT & LOCATION	SHT. CONTENTS	SET NO.	SHT. NO.
	DRAWN:	PRGJ. MANAGER		PROJECT DIRECTOR DATE:	REGIONAL DIRECTOR DATE:	DIRECTOR BOB DATE:	SEE COVER PAGE FOR THE SIGNATURE AND APPROVAL OF THE UNDERSECRETARY DATE: UNDERSECRETARY	SEE COVER PAGE FOR THE SIGNATURE AND APPROVAL OF THE SECRETARY DATE: SECRETARY	STUDY ON THE EXISTING DRAINAGE LATERALS IN METRO MANILA	PNR OPEN CANAL STA. 2 + 110, 2 + 210, 2 + 310, 2 + 410 SCALE: H=1:300 V=1:300	

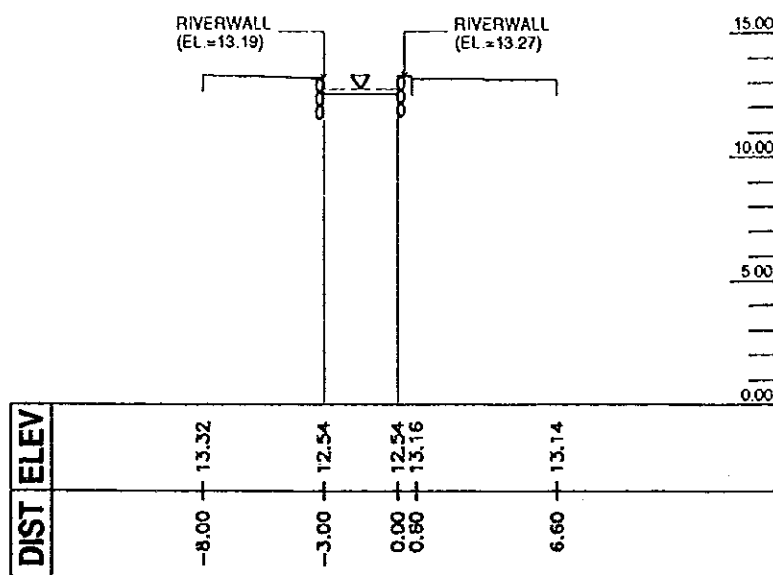
2 + 510  
 W.S EL = 12.71  
 DATE=APRIL 13-15, 2000



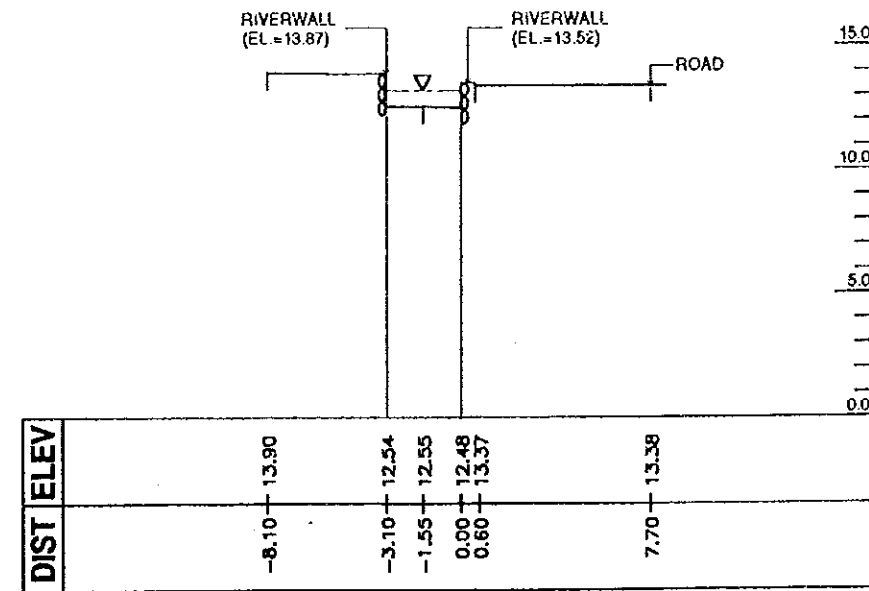
2 + 610  
 W.S EL = 12.76  
 DATE=APRIL 13-15, 2000



2 + 710  
 W.S EL = 12.75  
 DATE=APRIL 13-15, 2000

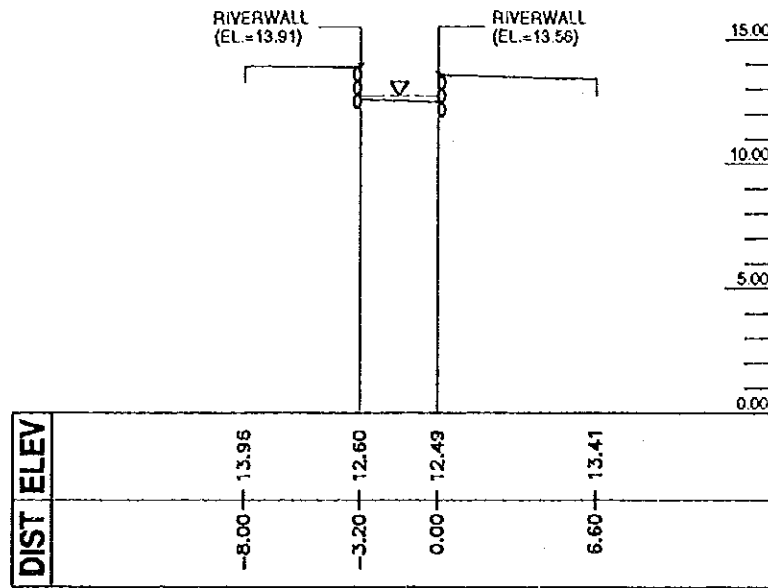


2 + 819  
 W.S EL = 13.20  
 DATE= JUL. 19-23, 2000

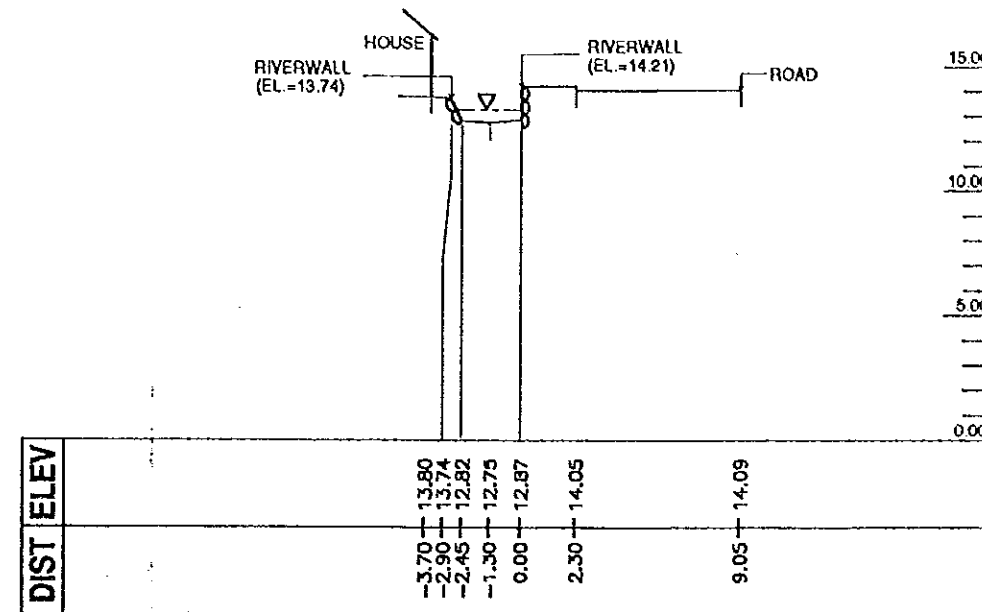


CONSULTANTS WOODFIELDS CONSULTANTS, INC. IN JOINT VENTURE WITH BASIC TECHNOLOGY AND MANAGEMENT CORPORATION CTI Engineering International Co., Ltd.	DESIGN:	SUBMITTED:	DEPARTMENT OF PUBLIC WORKS AND HIGHWAYS PROJECT MANAGEMENT OFFICE FOR MAJOR FLOOD CONTROL PROJECTS	RECOMMENDING APPROVAL:			APPROVED:		PROJECT & LOCATION STUDY ON THE EXISTING DRAINAGE LATERALS IN METRO MAMLA	SHEET CONTENTS PNR OPEN CHANNEL STA. 2 + 510, 2 + 610, 2 + 710, 2 + 819 SCALE: H=1:300 V=1:300	SET NO.	SHEET NO. PNR 05   06
	DRAWN:	PROJ. MANAGER		PROJECT DIRECTOR DATE:	REGIONAL DIRECTOR DATE:	DIRECTOR BOB DATE:	SEE COVER PAGE FOR THE SIGNATURE OF UNDERSECRETARY DATE:	SEE COVER PAGE FOR THE SIGNATURE AND APPROVAL OF THE SECRETARY DATE:				

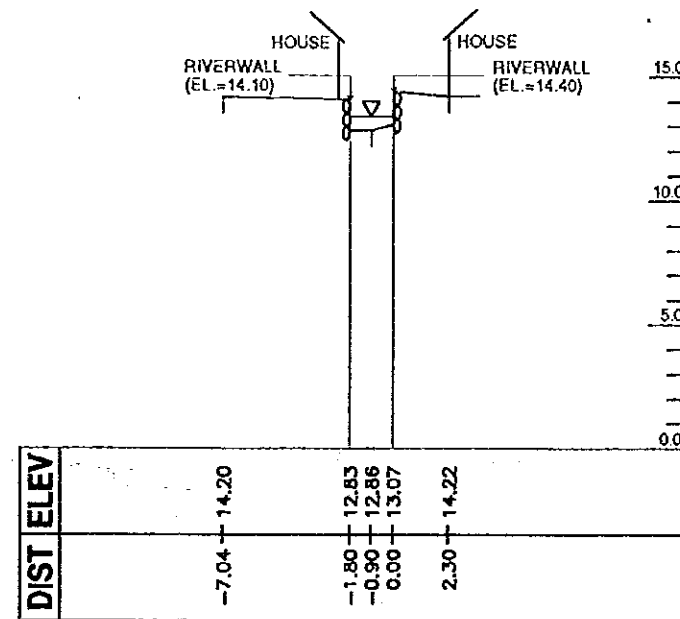
2 + 825  
 W.S. EL = 12.75  
 DATE = MAR. 28-31, 2000



3 + 045  
 W.S. EL = 13.29  
 DATE = JUL. 19-23, 2000



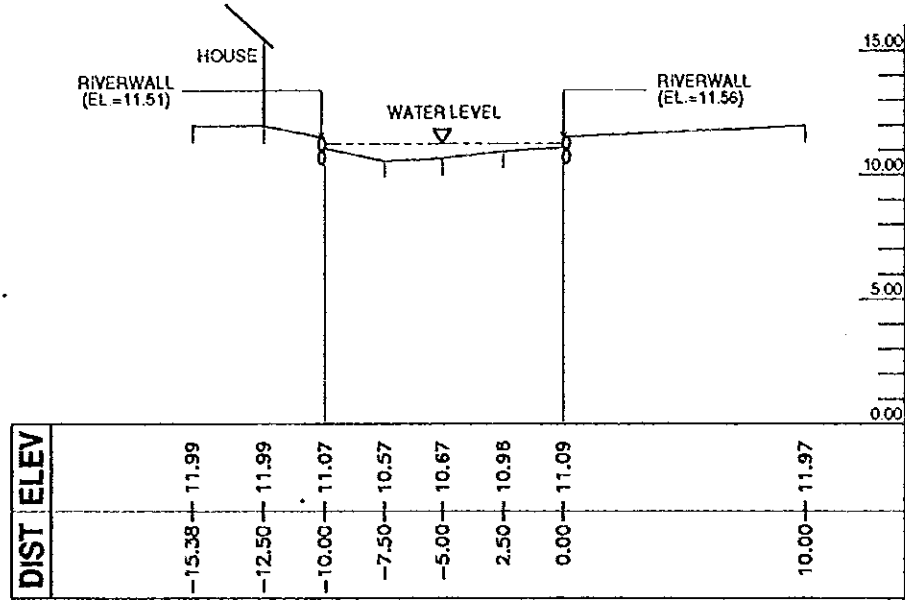
3 + 245  
 W.S. EL = 13.42  
 DATE = JUL. 19-23, 2000



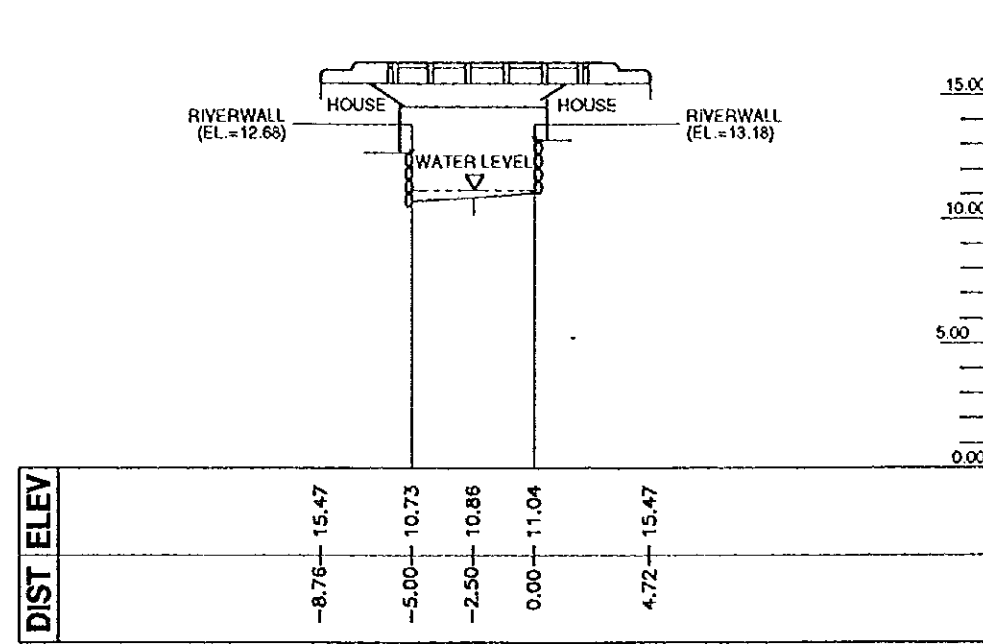
CONSULTANTS WOODFIELDS CONSULTANTS, INC. BASIC TECHNOLOGY AND MANAGEMENT CORPORATION CTE Engineering International Co., Ltd.	DESIGN:	SUBMITTED	DEPARTMENT OF PUBLIC WORKS AND HIGHWAYS PROJECT MANAGEMENT OFFICE FOR MAJOR FLOOD CONTROL PROJECTS	RECOMMENDING APPROVAL:			APPROVED:	PROJECT & LOCATION	SHT. CONTENTS PNR OPEN CHANNEL STA. 2 + 825, 3 + 045, 3 + 245 SCALE: H=1:300 V=1:300	SET NO.	SHT. NO.
	OWNER:	PROJ. MANAGER		PROJECT DIRECTOR DATE:	REGIONAL DIRECTOR DATE:	DIRECTOR BOB DATE:	SEE COVER PAGE FOR THE SIGNATURE OF UNDERSECRETARY DATE:	SEE COVER PAGE FOR THE SIGNATURE AND APPROVAL OF THE SECRETARY DATE:		STUDY ON THE EXISTING DRAINAGE LATERALS IN METRO MANILA	06

**MAKATI DIVERSION  
CHANNEL I**

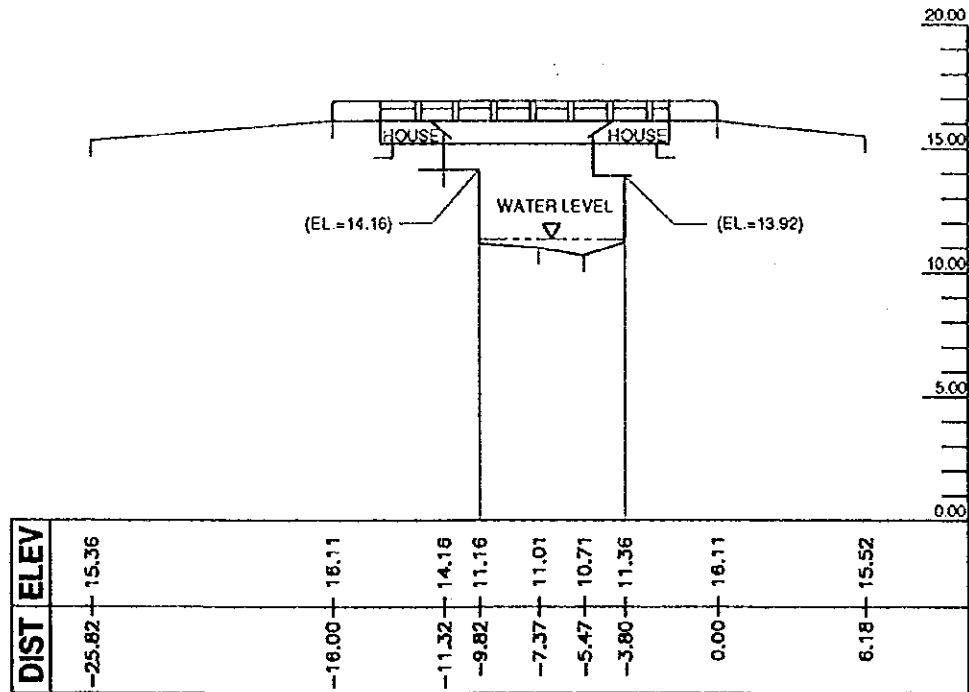
0 + 000  
W.S.E.L = 11.27  
DATE=APRIL 13-15, 2000



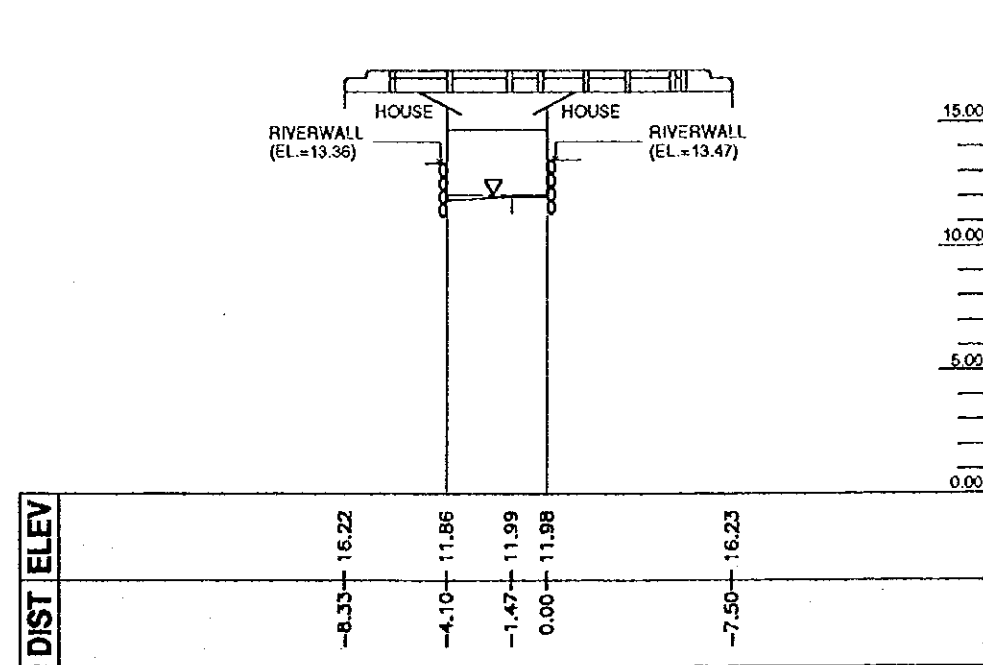
0 + 085  
W.S.E.L = 11.18  
DATE= JUL. 19-23, 2000



0 + 200  
W.S.E.L = 11.36  
DATE= JUL. 19-23, 2000



0 + 440  
W.S.E.L = 12.06  
DATE= JUL. 19-23, 2000

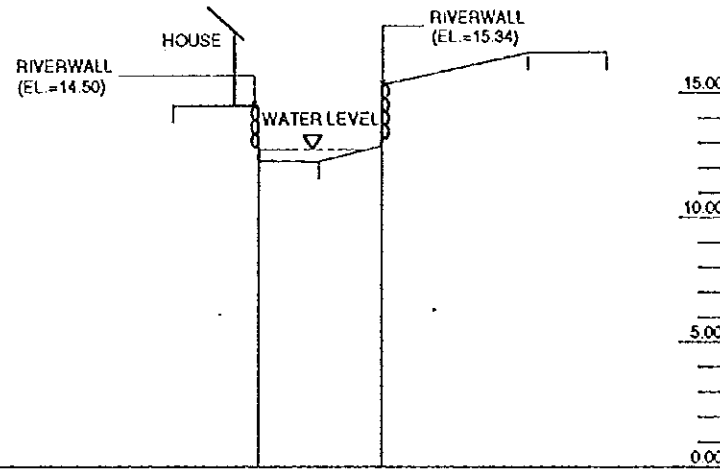


CONSULTANTS WOODFIELDS CONSULTANTS, INC. 2011 BUREAU ST. BASIC TECHNOLOGY AND MANAGEMENT CORPORATION CTI Engineering International Co., Ltd. ADVISOR	DESIGN:	SUBMITTED:	DEPARTMENT OF PUBLIC WORKS AND HIGHWAYS PROJECT MANAGEMENT OFFICE FOR MAJOR FLOOD CONTROL PROJECTS	RECOMMENDING APPROVAL:			APPROVED:	PROJECT & LOCATION	BIT. CONTENTS	SET NO.	BIT. NO.	
	DRAWN:						SEE COVER PAGE FOR THE SIGNATURE AND APPROVAL OF THE UNDERSECRETARY	SEE COVER PAGE FOR THE SIGNATURE AND APPROVAL OF THE SECRETARY	STUDY ON THE EXISTING DRAINAGE LATERALS IN METRO MANILA	MAKATI DIVERSION CHANNEL I STA. 0 + 000, 0 + 085, 0 + 200, 0 + 440 SCALE: H=1:300 V=1:300		
	CHECKED:	PROJ. MANAGER		PROJECT DIRECTOR DATE:	REGIONAL DIRECTOR DATE:	DIRECTOR BOD DATE:	UNDERSECRETARY DATE:	SECRETARY DATE:				



0 + 520

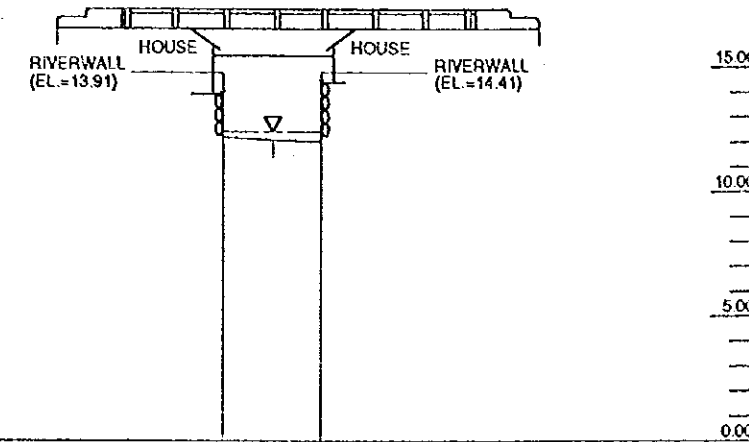
W.S EL = 12.74  
DATE=APRIL 13-15, 2000



DIST	-8.56	-5.00	-2.50	0.00	6.00	9.24
ELEV	14.49	12.28	12.24	12.87	16.63	15.63

0 + 560

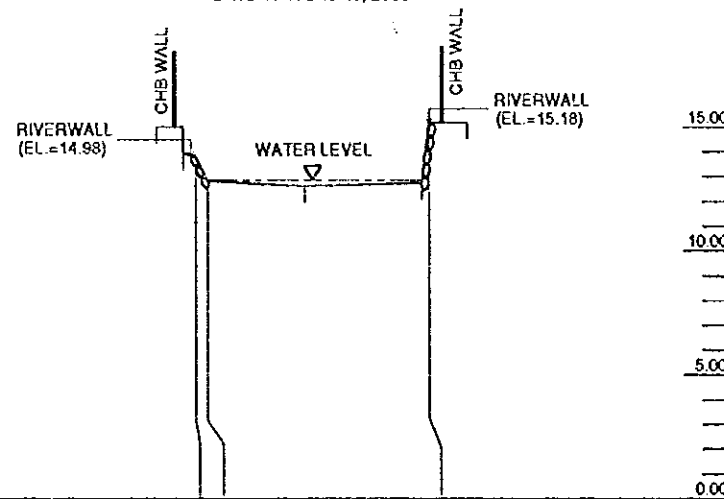
W.S EL = 12.41  
DATE= JUL. 19-23, 2000



DIST	-10.97	-4.13	-2.50	0.00	8.91
ELEV	16.55	12.20	12.06	12.04	16.55

0 + 720

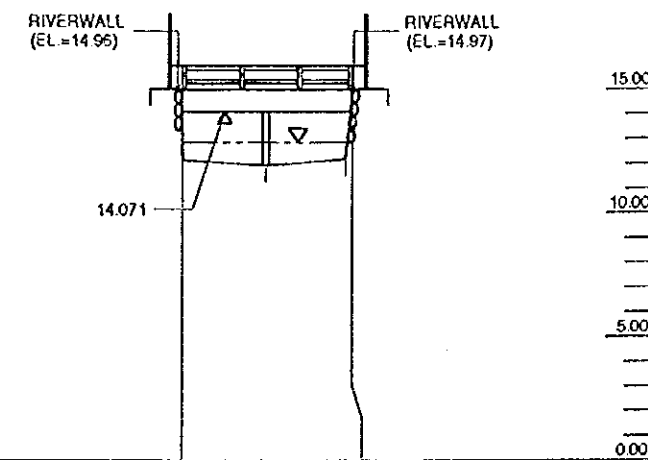
W.S EL = 12.84  
DATE=APRIL 13-15, 2000



DIST	-11.10	-10.00	-9.50	-9.00	-5.00	-0.30	0.00	1.59
ELEV	14.98	13.91	13.82	12.80	12.61	12.74	15.18	15.18

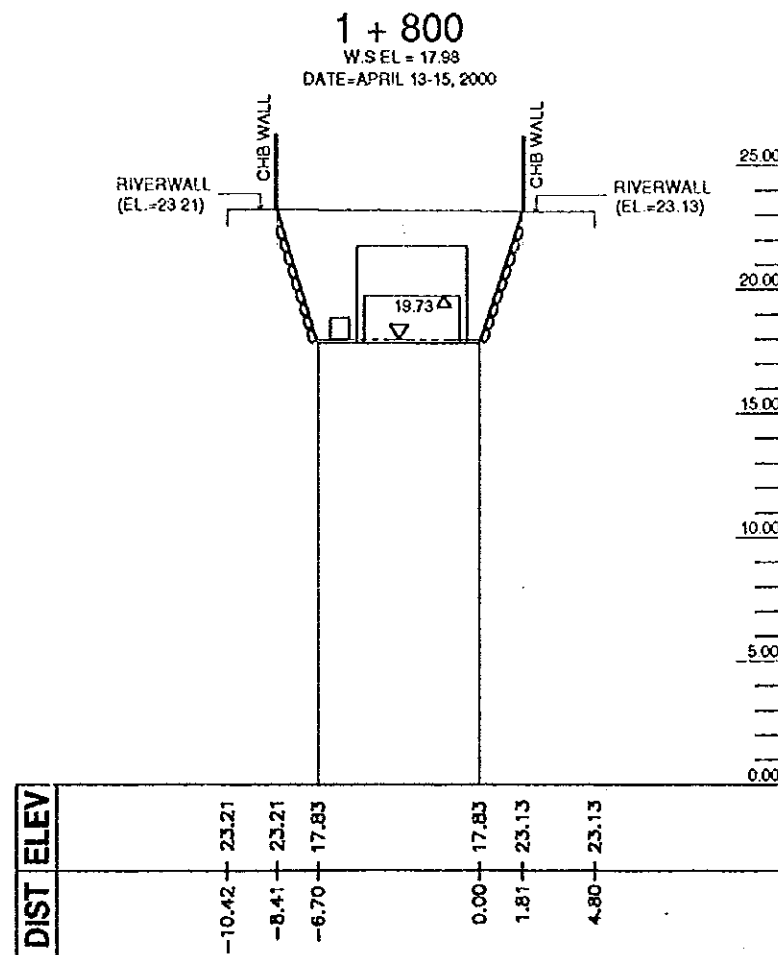
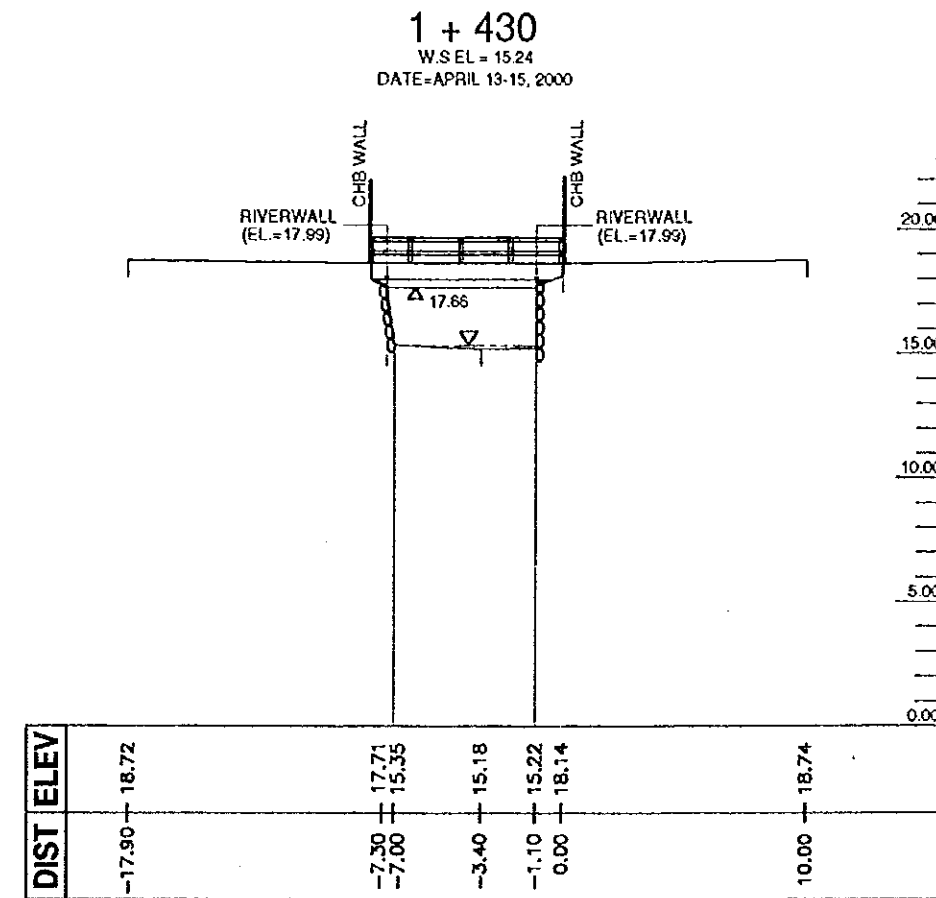
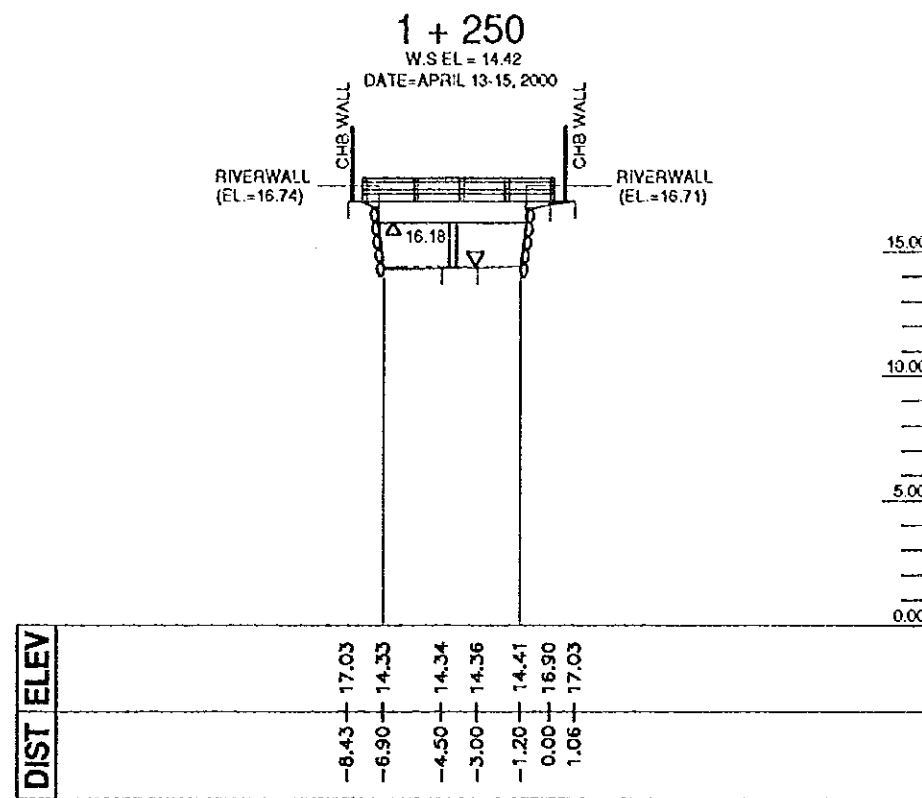
0 + 900

W.S EL = 12.85  
DATE=APRIL 13-15, 2000



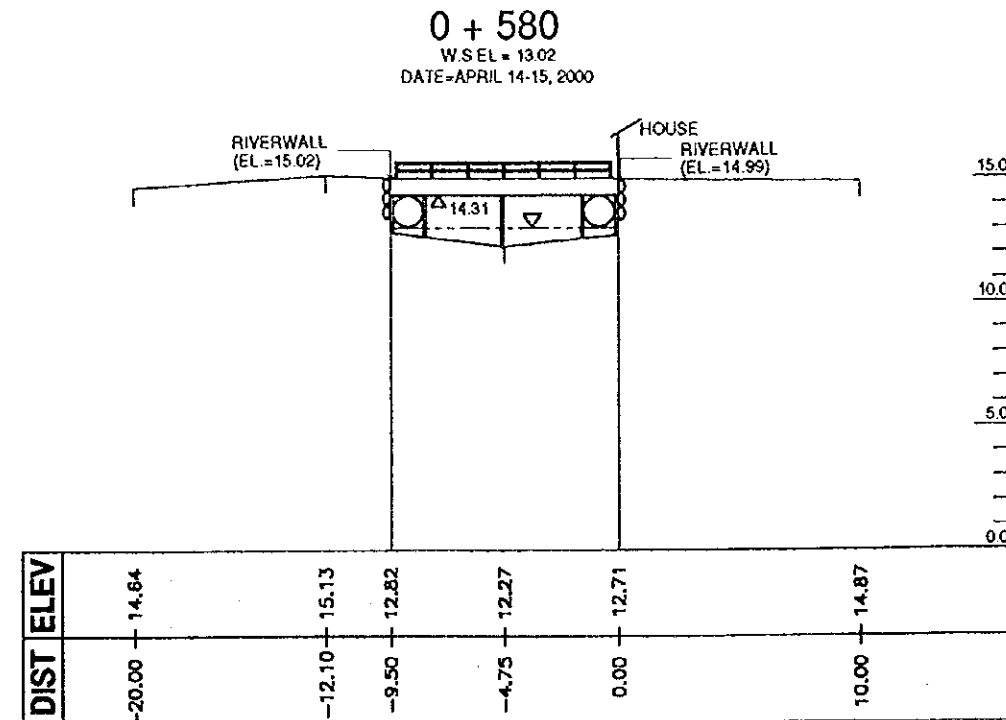
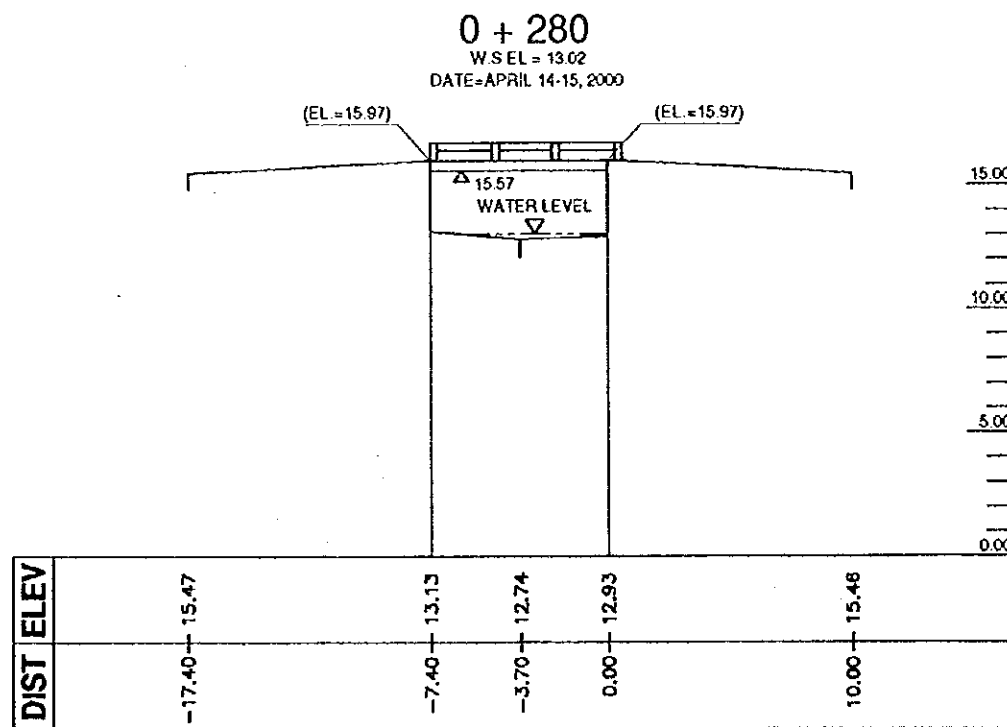
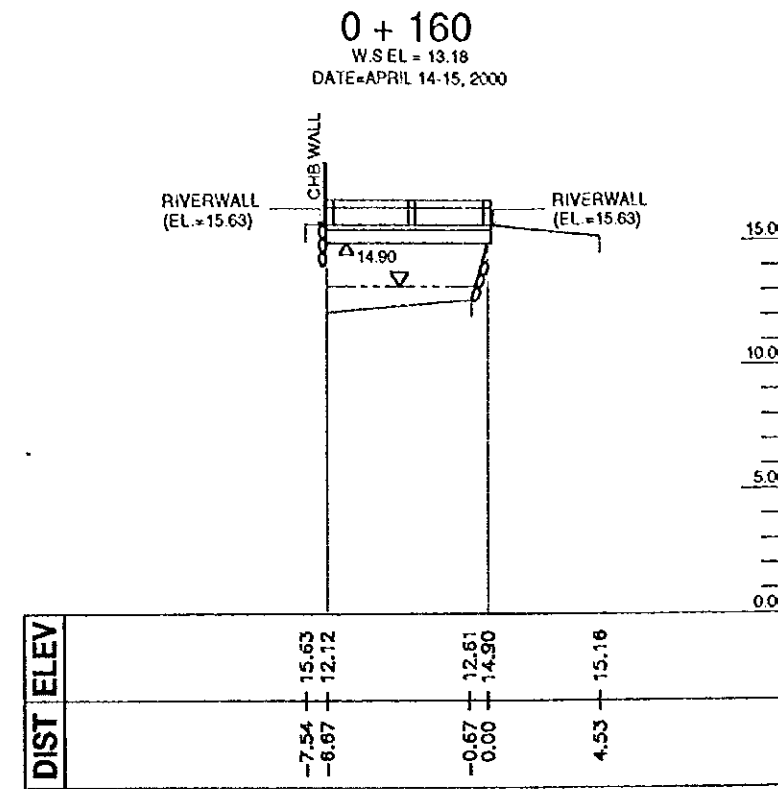
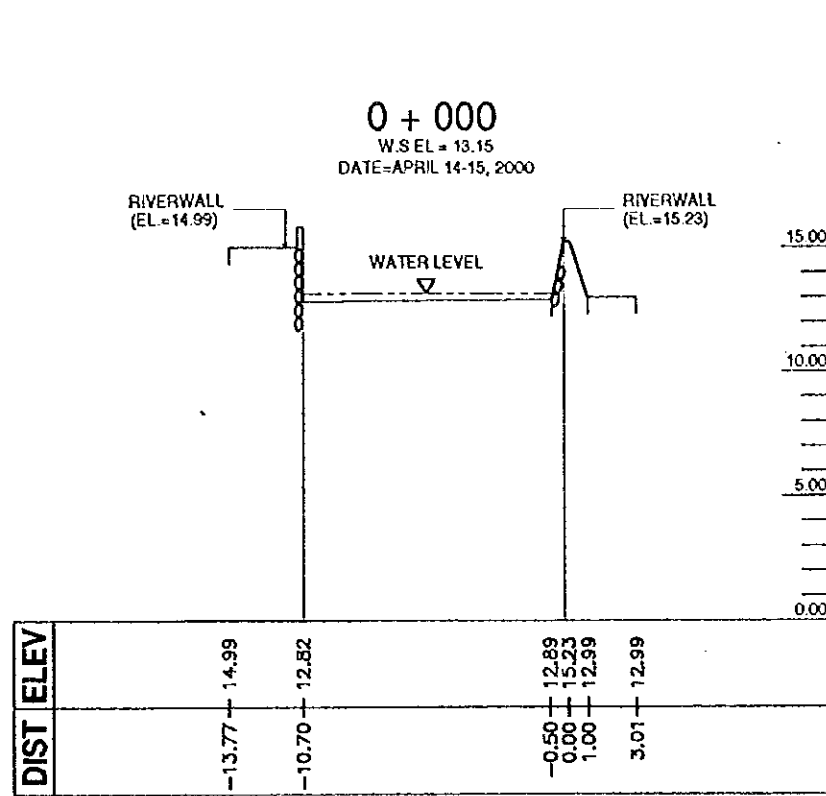
DIST	-8.37	-7.00	-3.50	-0.30	0.00	1.47
ELEV	14.99	12.14	11.92	12.17	14.97	14.99

CONSULTANT: WOODFIELDS CONSULTANTS, INC. A UNIT OF BASIC TECHNOLOGY AND MANAGEMENT CORPORATION CTI Engineering International Co., Ltd.	DESIGN:	SUBMITTED:	DEPARTMENT OF PUBLIC WORKS AND HIGHWAYS PROJECT MANAGEMENT OFFICE FOR MAJOR FLOOD CONTROL PROJECTS	RECOMMENDING APPROVAL:			APPROVED:	PROJECT & LOCATION:	BRIEF CONTENTS:	SET NO.	SHIT. NO.
	DRAWN:	PROJ. MANAGER:		PROJECT DIRECTOR DATE:	REGIONAL DIRECTOR DATE:	DIRECTOR BOD DATE:	SEE COVER PAGE FOR THE SIGNATURE OF UNDERSECRETARY DATE:	SEE COVER PAGE FOR THE SIGNATURE AND APPROVAL OF THE SECRETARY DATE:	STUDY ON THE EXISTING DRAINAGE LATERALS IN METRO MANILA	MAKATI DIVERSION CHANNEL I STA. 0 + 520, 0 + 560, 0 + 720, 0 + 900 SCALE: H=1:300 V=1:300	



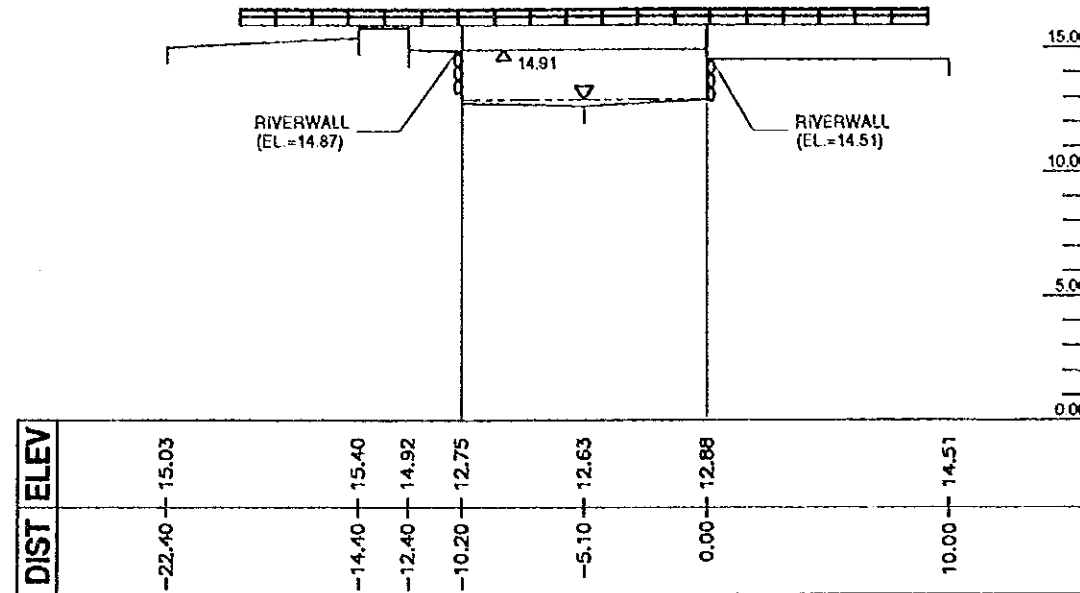
<small>CONSULTANTS</small> 	DESIGN:	SUBMITTED	 DEPARTMENT OF PUBLIC WORKS AND HIGHWAYS PROJECT MANAGEMENT OFFICE FOR MAJOR FLOOD CONTROL PROJECTS	RECOMMENDING APPROVAL:			APPROVED:		PROJECT & LOCATION	BHT. CONTENTS	SET NO.	SHT. NO.
	DRAWN:	PROJ. MANAGER		PROJECT DIRECTOR DATE:	REGIONAL DIRECTOR DATE:	DIRECTOR BOB DATE:	SEE COVER PAGE FOR THE SIGNATURE OF UNDERSECRETARY DATE:	SEE COVER PAGE FOR THE SIGNATURE AND APPROVAL OF THE SECRETARY DATE:	STUDY ON THE EXISTING DRAINAGE LATERALS IN METRO MANILA	MAKATI DIVERSION CHANNEL I STA. 1 + 250, 1 + 430, 1 + 800 SCALE: H=1:300 V=1:300		MKTH 03   03

**MAKATI DIVERSION  
CHANNEL II**

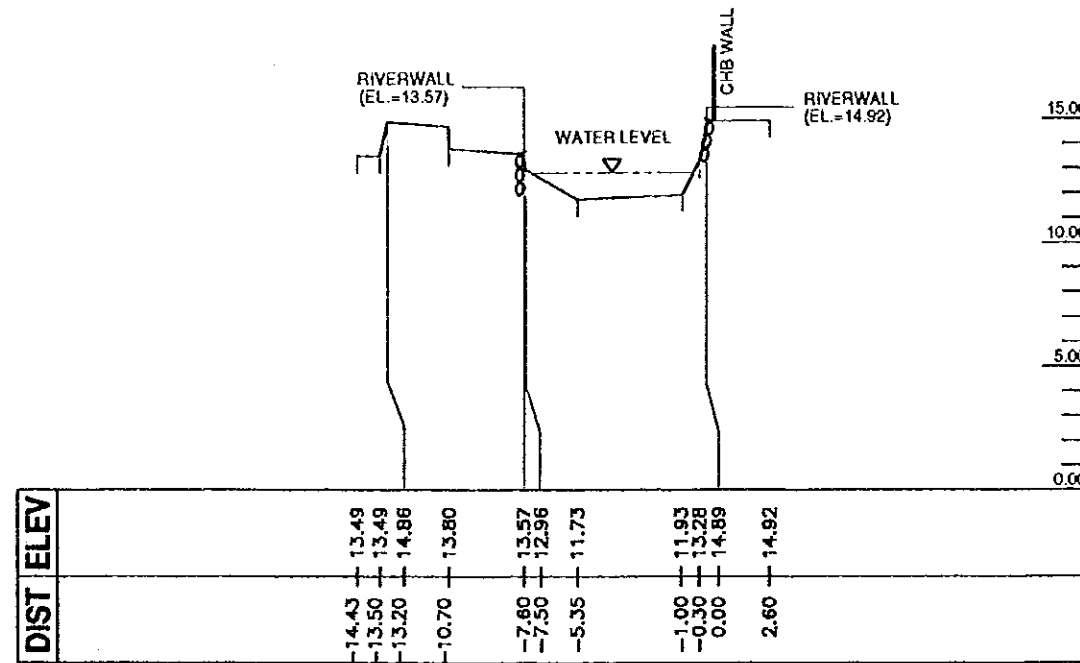


CONSULTANTS WOODFIELDS CONSULTANTS, INC. BASIC TECHNOLOGY AND MANAGEMENT CORPORATION CTI Engineering International Co., Ltd.	DESIGN: _____	SUBMITTED _____	DEPARTMENT OF PUBLIC WORKS AND HIGHWAYS PROJECT MANAGEMENT OFFICE FOR MAJOR FLOOD CONTROL PROJECTS	RECOMMENDING APPROVAL:			APPROVED:	PROJECT & LOCATION	B.P. CONTENTS	SET NO.	SHT. NO.
	DRAWN: _____	PROJ. MANAGER _____		PROJECT DIRECTOR _____	REVISION DIRECTOR _____	DIRECTOR BOB _____	UNDERSECRETARY _____	STUDY ON THE EXISTING DRAINAGE LATERALS IN METRO MANILA	MAKATI DIVERSION CHANNEL II STA. 0 + 000, 0 + 160, 0 + 280, 0 + 580 SCALE: H=1:300 V=1:300		MKT-8 01 02
	CHECKED: _____			DATE: _____	DATE: _____	DATE: _____	DATE: _____				

1 + 450  
W.S. EL = 12.92  
DATE=APRIL 14-15, 2000



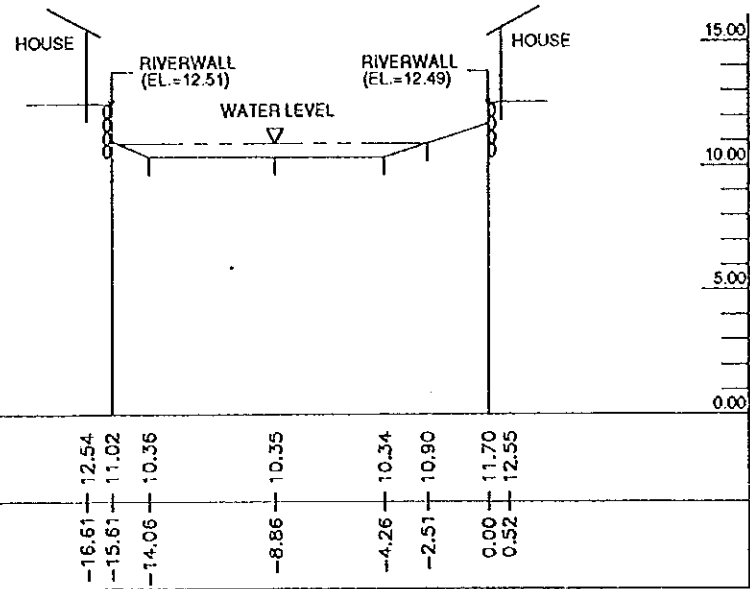
2 + 230  
W.S. EL = 12.83  
DATE=APRIL 14-15, 2000



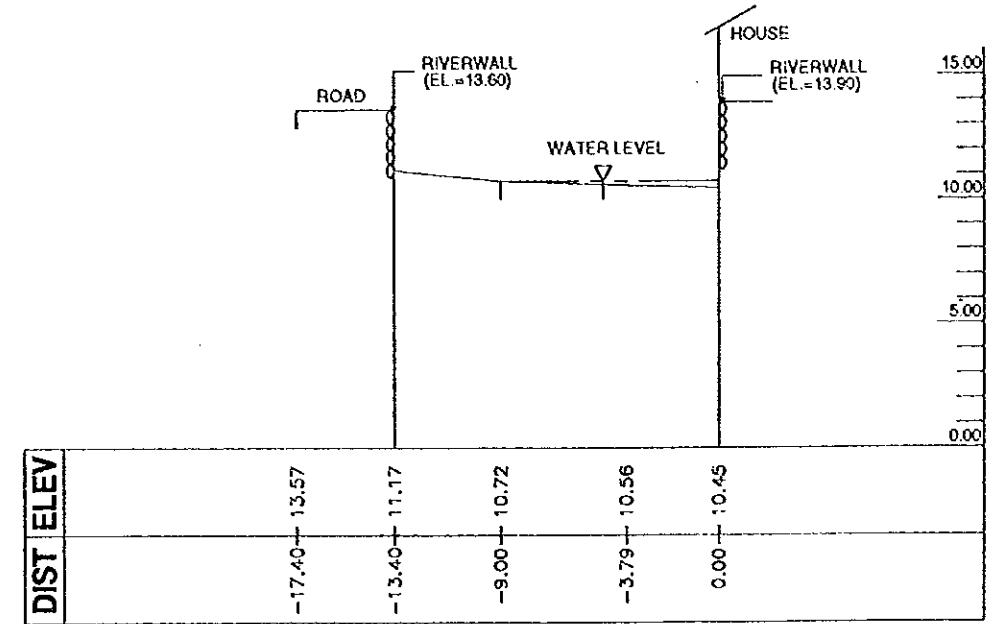
CONSULTANTS WOODFIELDS CONSULTANTS, INC. IN JOINT VENTURE WITH BASIC TECHNOLOGY AND MANAGEMENT CORPORATION CTI Engineering International Co., Ltd.	DESIGN:	SUBMITTED:	DEPARTMENT OF PUBLIC WORKS AND HIGHWAYS PROJECT MANAGEMENT OFFICE FOR MAJOR FLOOD CONTROL PROJECTS	RECOMMENDING APPROVAL:			APPROVED:	PROJECT & LOCATION	SHT. CONTENTS	BET. NO.	SHT. NO.
	DRAWN:	PROJ. MANAGER		PROJECT DIRECTOR DATE:	REGIONAL DIRECTOR DATE:	DIRECTOR BOO DATE:	SEE COVER PAGE FOR THE SIGNATURE OF UNDERSECRETARY DATE:	SEE COVER PAGE FOR THE SIGNATURE AND APPROVAL OF THE SECRETARY DATE:	STUDY ON THE EXISTING DRAINAGE LATERALS IN METRO MANILA	MAKATI DIVERSION CHANNEL II STA. 1 + 450, 2 + 230 SCALE: H=1:300 V=1:300	

# **MARICABAN CREEK I**

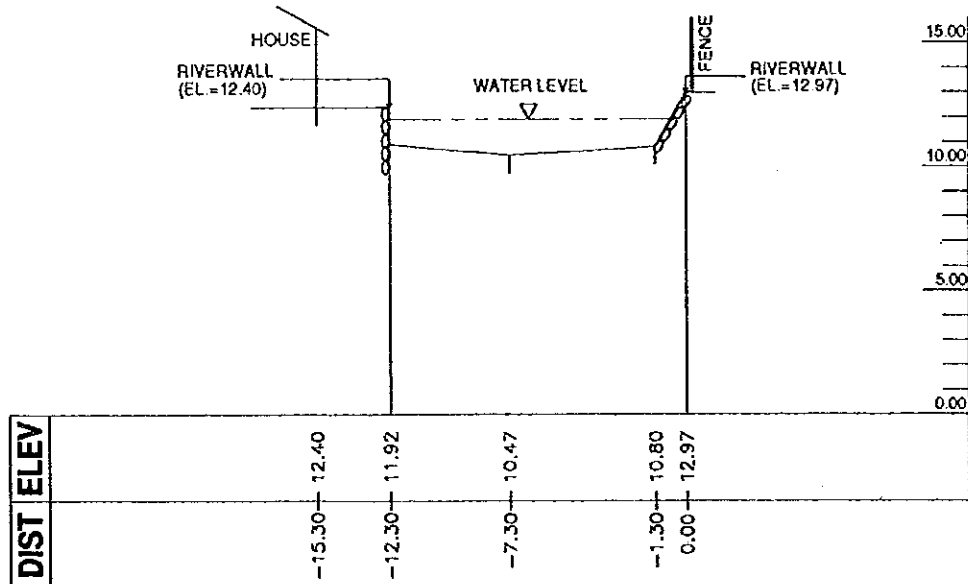
0 + 000  
W.S EL = 10.90  
DATE = JUL. 19-23, 2000



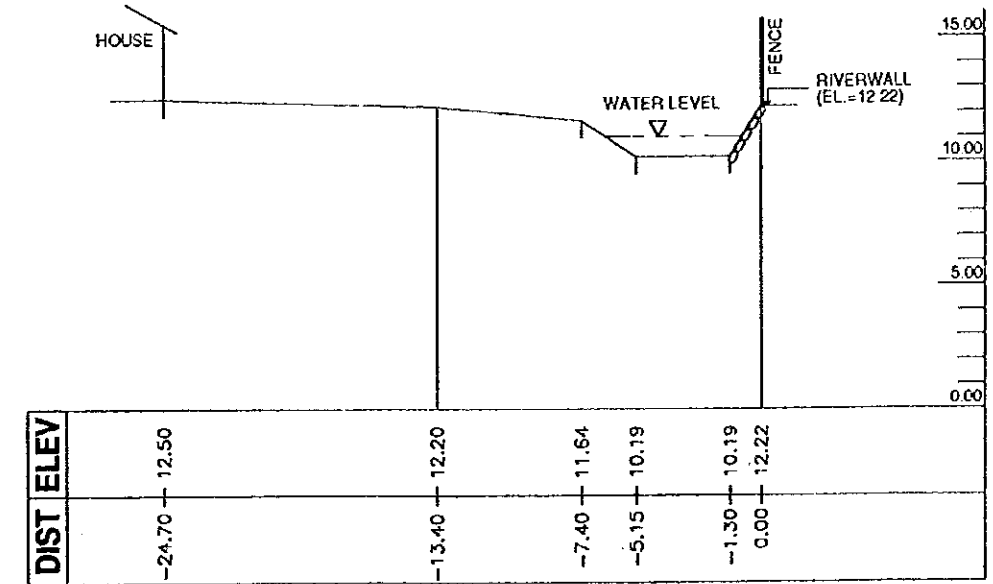
0 + 200  
W.S EL = 10.72  
DATE = JUL. 19-23, 2000



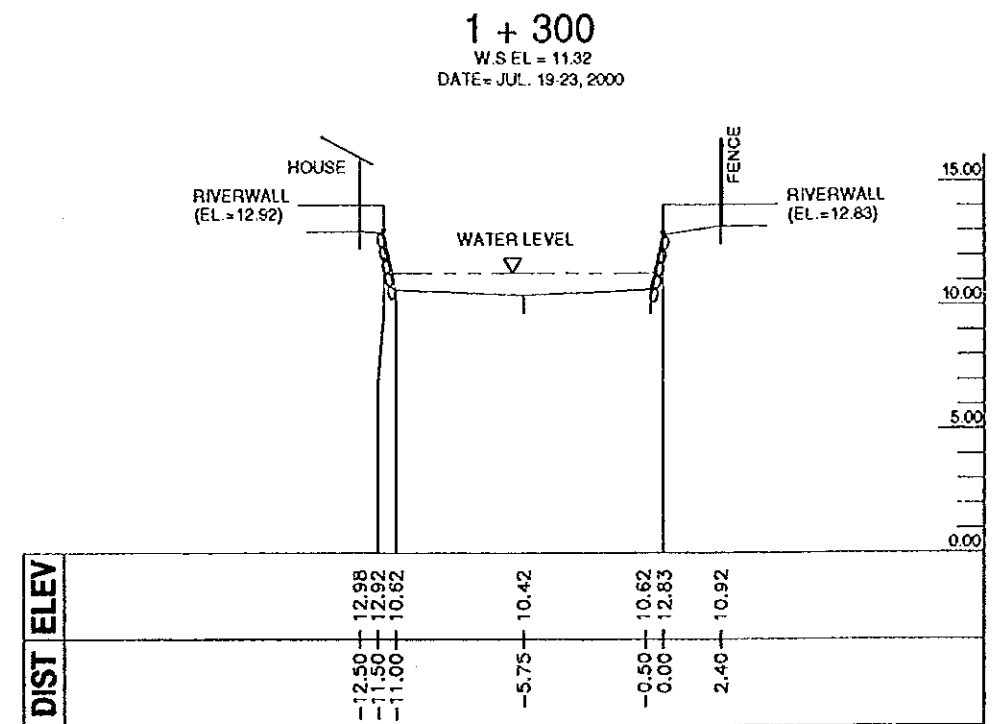
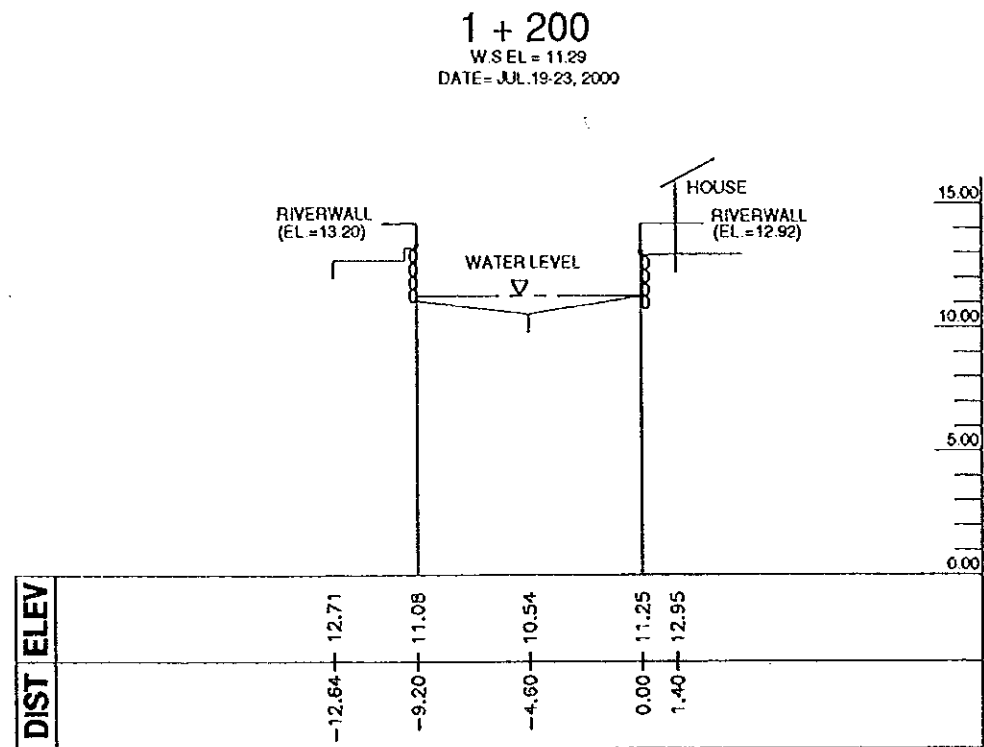
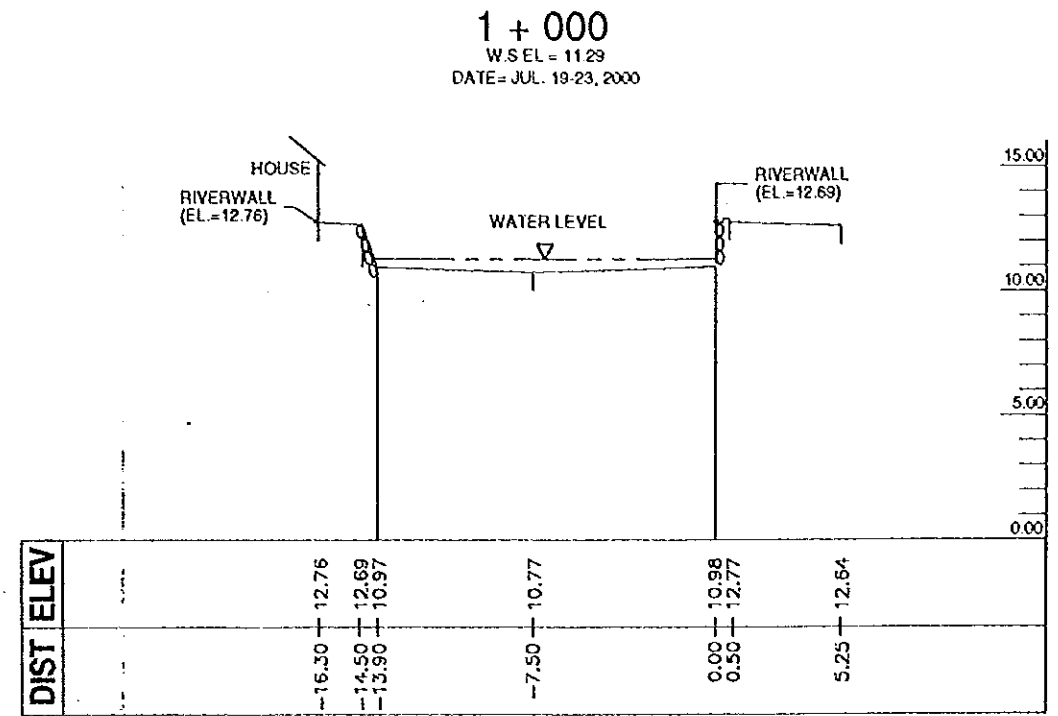
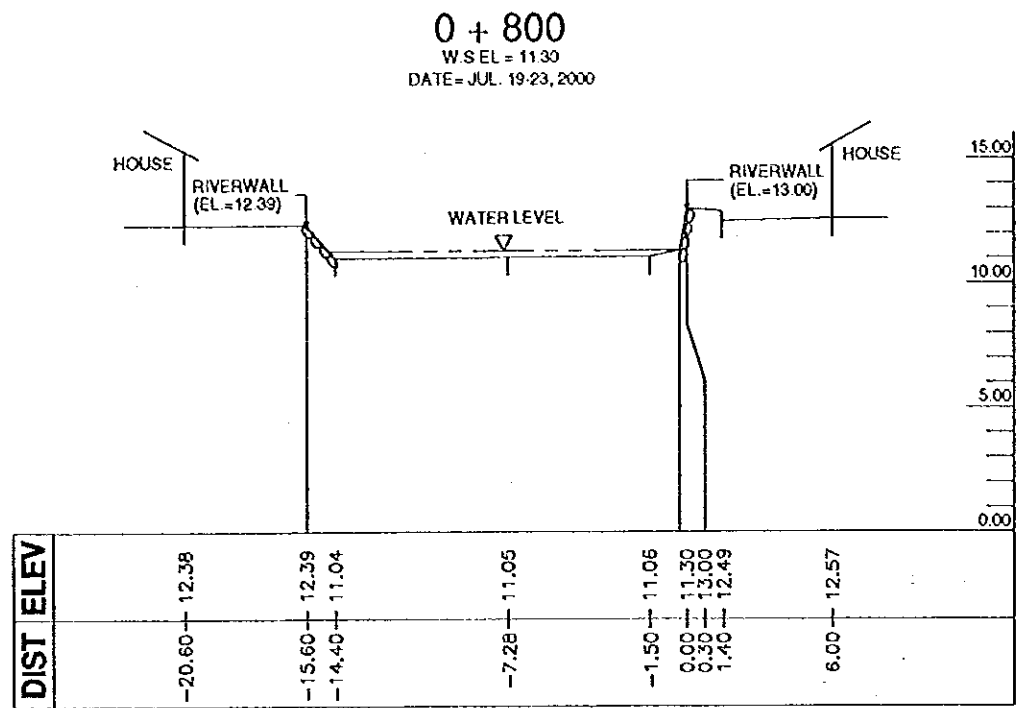
0 + 400  
W.S EL = 11.91  
DATE = JUL. 19-23, 2000



0 + 600  
W.S EL = 11.00  
DATE = JUL. 19-23, 2000



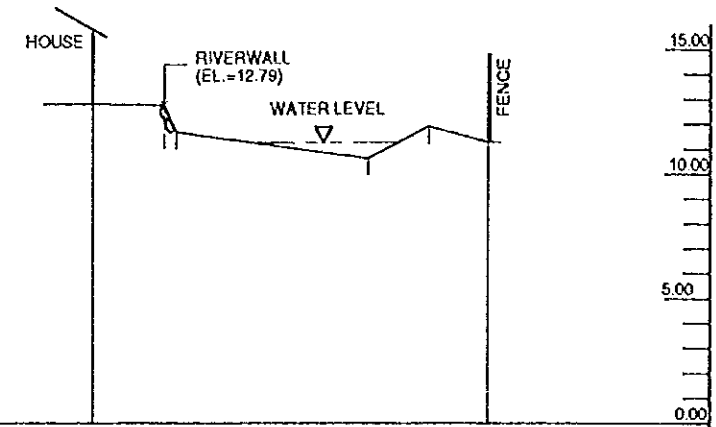
CONSULTANTS WOODFIELDS CONSULTANTS, INC. 1101 AVENUE 11 BASIC TECHNOLOGY AND MANAGEMENT CORPORATION CTI Engineering International Co., Ltd.	DESIGN:	SUBMITTED:	DEPARTMENT OF PUBLIC WORKS AND HIGHWAYS PROJECT MANAGEMENT OFFICE FOR MAJOR FLOOD CONTROL PROJECTS	RECOMMENDING APPROVAL:			APPROVED:		PROJECT & LOCATION STUDY ON THE EXISTING DRAINAGE LATERALS IN METRO MANILA	SHT. CONTENTS MARCABAN CREEK 1 STA. 0+000, 0+200, 0+400, 0+600 SCALE: H=1:300 V=1:300	SET NO. 01	SHT. NO. 05
	DRAWN:	PROJ. MANAGER		PROJECT DIRECTOR DATE:	REGIONAL DIRECTOR DATE:	DIRECTOR BOO DATE:	SEE COVER PAGE FOR THE SIGNATURE OF UNDERSECRETARY DATE:	SEE COVER PAGE FOR THE SIGNATURE AND APPROVAL OF THE SECRETARY DATE:				



CONSULTANTS WOODFIELDS CONSULTANTS, INC. BASIC TECHNOLOGY AND MANAGEMENT CORPORATION CTI Engineering International Co., Ltd. <small>ADVISOR</small>	DESIGN: _____	SUBMITTED _____	DEPARTMENT OF PUBLIC WORKS AND HIGHWAYS PROJECT MANAGEMENT OFFICE FOR MAJOR FLOOD CONTROL PROJECTS	RECOMMENDING APPROVAL:			APPROVED:	PROJECT & LOCATION	SHT. CONTENTS	SET NO.	SHT. NO.	
	DRAWN: _____	PROJ. MANAGER _____		PROJECT DIRECTOR _____	REGIONAL DIRECTOR _____	DIRECTOR BOB _____	SEE COVER PAGE FOR THE SIGNATURE OF UNDERSECRETARY _____	SEE COVER PAGE FOR THE SIGNATURE AND APPROVAL OF THE SECRETARY _____	STUDY ON THE EXISTING DRAINAGE LATERALS IN METRO MANILA	MARICABAN CREEK 1 STA. 0 + 800, 1 + 000, 1 + 200, 1 + 300 SCALE: H=1:300 V=1:300		
	CHECKED: _____			DATE: _____	DATE: _____	DATE: _____	UNDERSECRETARY _____	SECRETARY _____				

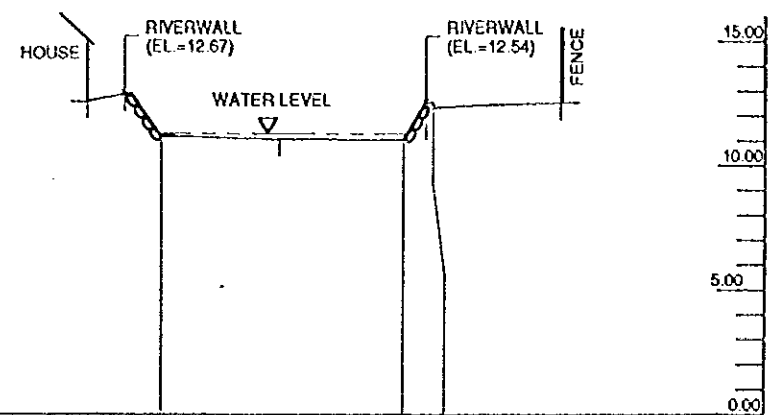


1 + 575  
 W.S. EL = 11.30  
 DATE = JUL. 19-23, 2000



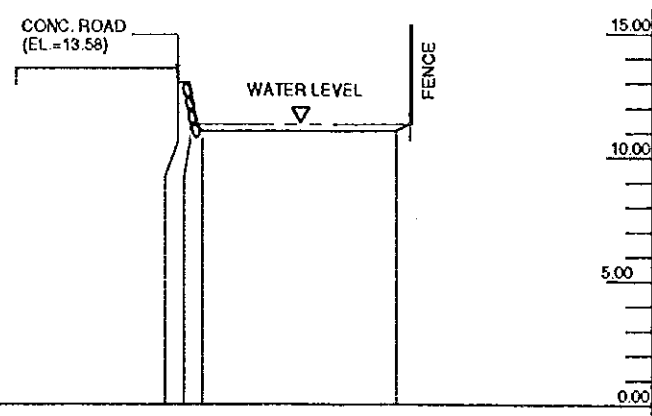
DIST	ELEV
-16.50	12.85
-13.50	12.79
-13.00	11.69
-5.00	10.64
-2.50	11.93
0.00	11.30

1 + 815  
 W.S. EL = 11.30  
 DATE = JUL. 19-23, 2000



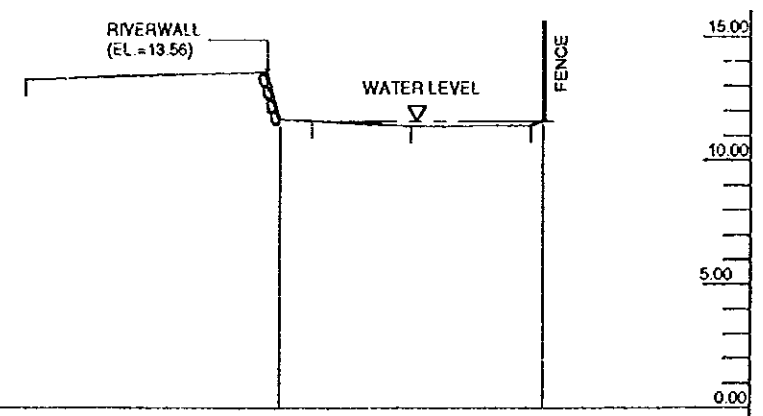
DIST	ELEV
-13.85	12.57
-12.50	12.67
-10.80	11.16
-6.00	11.07
-1.20	11.04
-0.50	12.54
0.00	12.33
5.55	12.54

2 + 030  
 W.S. EL = 11.32  
 DATE = JUL. 19-23, 2000



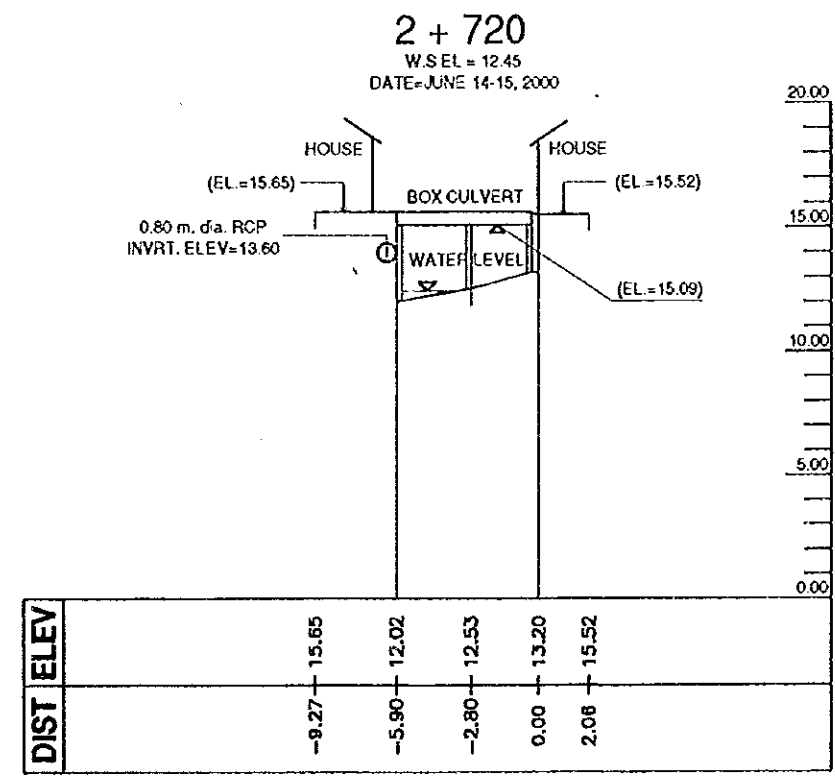
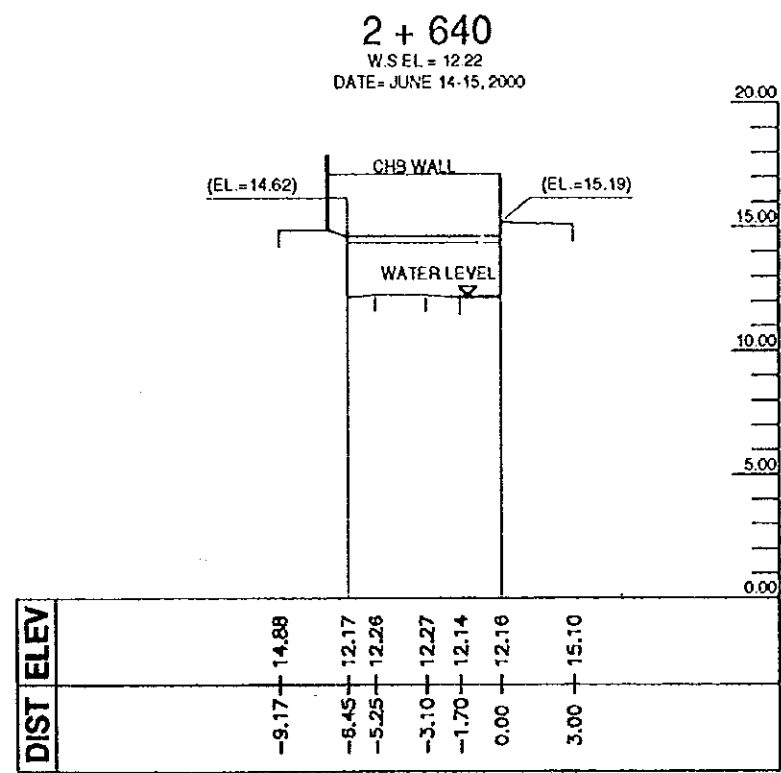
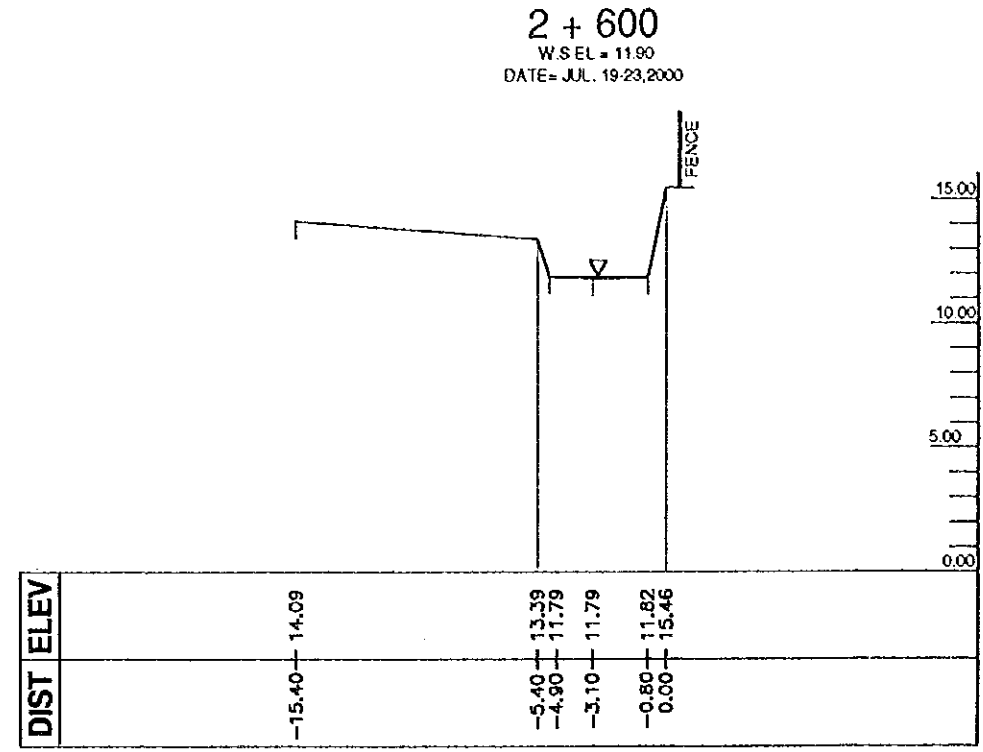
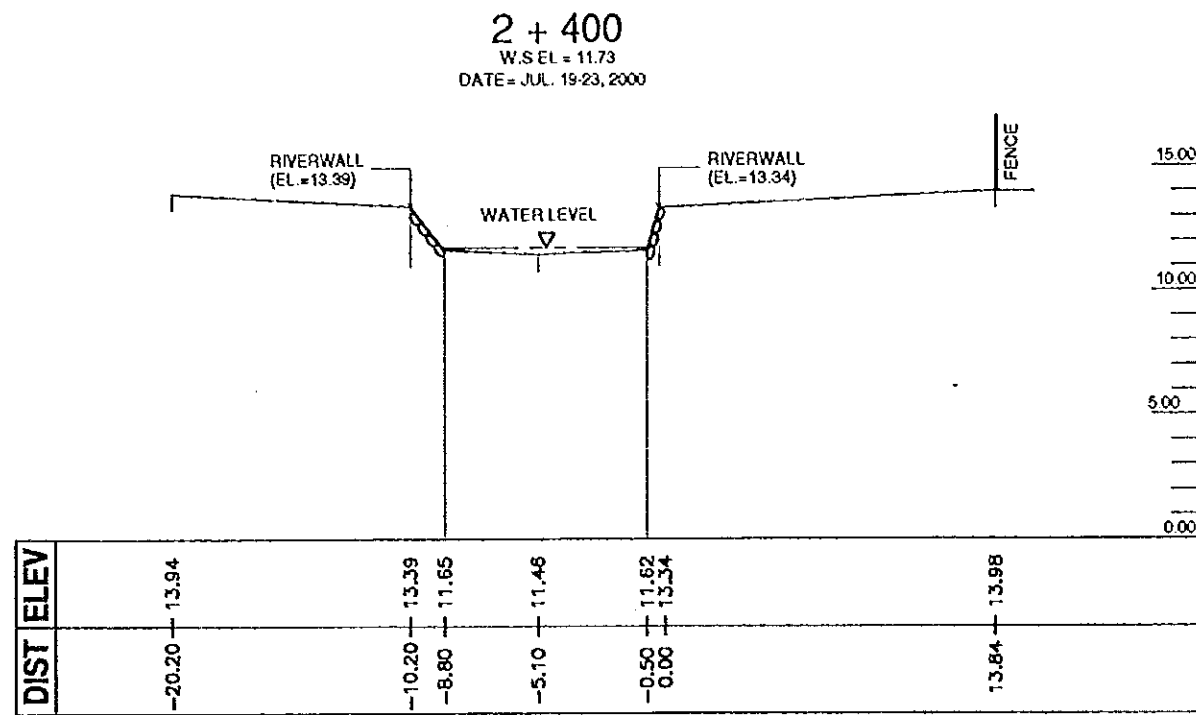
DIST	ELEV
-16.50	13.57
-9.70	13.02
-9.20	13.01
-8.70	11.05
-0.60	11.05
0.00	11.32

2 + 200  
 W.S. EL = 11.59  
 DATE = JUL. 19-23, 2000

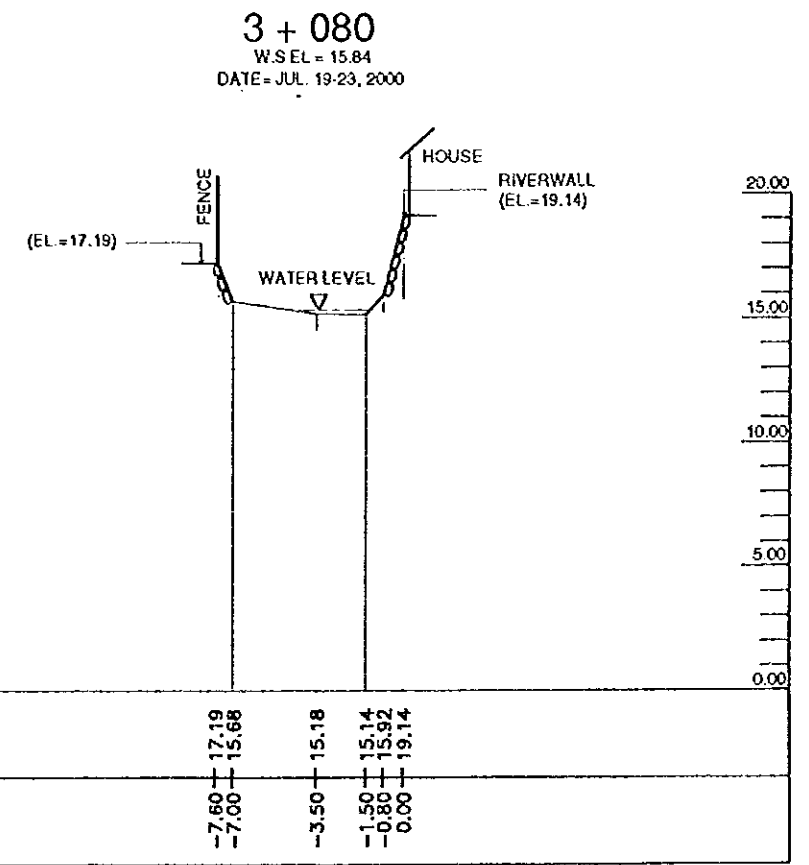
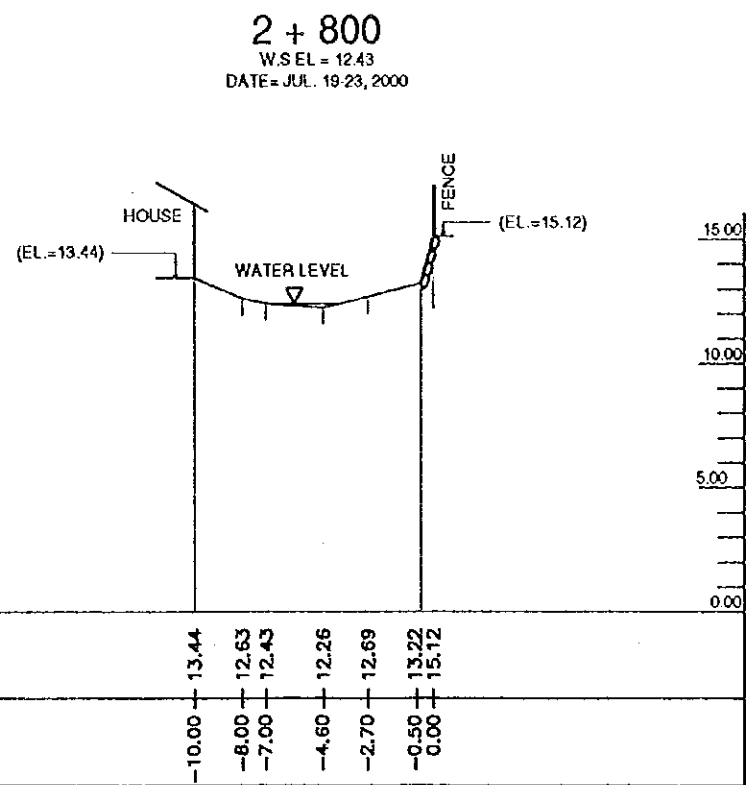


DIST	ELEV
-21.30	13.27
-11.30	13.56
-10.80	11.56
-9.48	11.59
-5.40	11.38
-0.50	11.40
0.00	11.59

CONSULTANTS WOODFIELDS CONSULTANTS, INC. BASIC TECHNOLOGY AND MANAGEMENT CORPORATION CTI Engineering International Co., Ltd.	DESIGN: _____	SUBMITTED  PROJ. MANAGER	DEPARTMENT OF PUBLIC WORKS AND HIGHWAYS PROJECT MANAGEMENT OFFICE FOR MAJOR FLOOD CONTROL PROJECTS	RECOMMENDING APPROVAL:			APPROVED:	PROJECT & LOCATION	BIT. CONTENTS	SET NO.	SHEET NO.
	DRAWN: _____			PROJECT DIRECTOR DATE: _____ REGIONAL DIRECTOR DATE: _____ DIRECTOR BOO DATE: _____	SEE COVER PAGE FOR THE SIGNATURE OF UNDERSECRETARY DATE: _____ SEE COVER PAGE FOR THE SIGNATURE AND APPROVAL OF THE SECRETARY DATE: _____	STUDY ON THE EXISTING DRAINAGE LATERALS IN METRO MANILA	MARICABAN CREEK 1 STA. 1 + 575, 1 + 815, 2 + 030, 2 + 200 SCALE: H=1:300 V=1:300		MARI-CABAN 1 03   05		



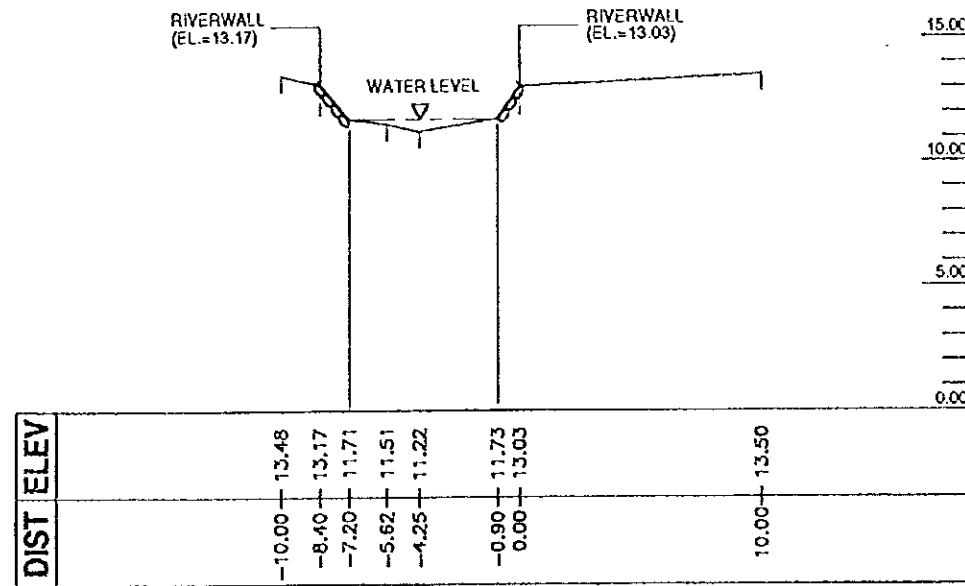
CONSULTANT: WOODFIELDS CONSULTANTS, INC. 1001 SOUTH AVENUE, SUITE 100 BASKING RIDGE, NJ 07017 BASIC TECHNOLOGY AND MANAGEMENT CORPORATION CTI Engineering International Co., Ltd. ADVISOR	DESIGN: _____	SUBMITTED: _____	DEPARTMENT OF PUBLIC WORKS AND HIGHWAYS PROJECT MANAGEMENT OFFICE FOR MAJOR FLOOD CONTROL PROJECTS	RECOMMENDING APPROVAL:			APPROVED:	PROJECT & LOCATION	SH. CONTENTS	SET NO.	SH. NO.
	DRAWN: _____	PROJ. MANAGER: _____		PROJECT DIRECTOR: _____	REGIONAL DIRECTOR: _____	DIRECTOR BOB: _____	SEE COVER PAGE FOR THE SIGNATURE OF UNDERSECRETARY UNDERSECRETARY DATE: _____	SEE COVER PAGE FOR THE SIGNATURE AND APPROVAL OF THE SECRETARY SECRETARY DATE: _____	STUDY ON THE EXISTING DRAINAGE LATERALS IN METRO MANILA	MARICABAN CREEK 1 STA. 2 + 400, 2 + 600, 2 + 640, 2 + 720 SCALE: H=1:300 V=1:300	



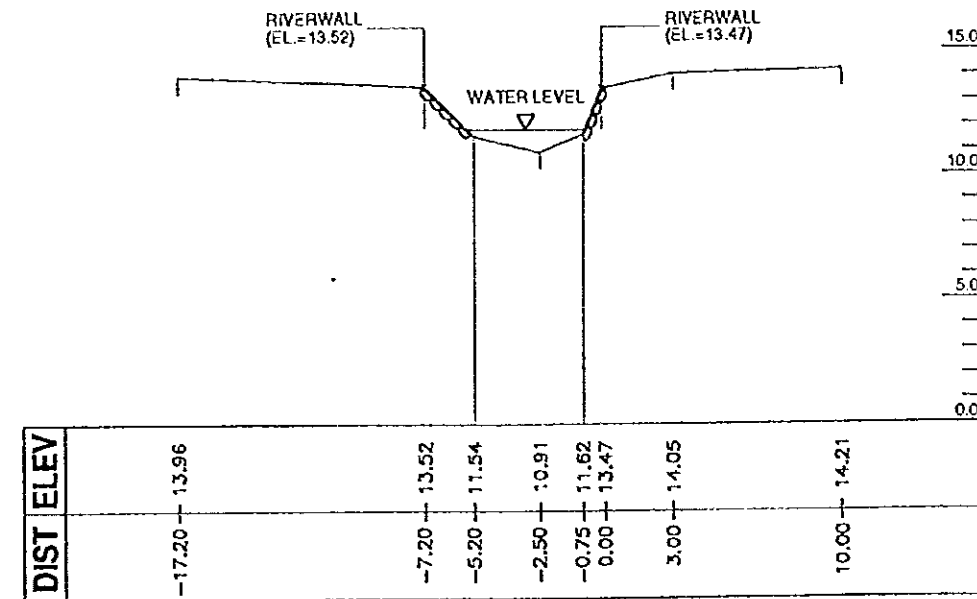
<small>CONSULTANTS</small> WOODFIELDS CONSULTANTS, INC. <small>INCORPORATED IN THE PHILIPPINES</small> BASIC TECHNOLOGY AND MANAGEMENT CORPORATION CTI Engineering International Co., Ltd. <small>ADVISOR</small>	<small>DESIGN:</small> <small>DRAWN:</small> <small>CHECKED:</small>	<small>SUBMITTED</small>  <small>PROJ. MANAGER</small>	 <b>DEPARTMENT OF PUBLIC WORKS AND HIGHWAYS</b> <small>PROJECT MANAGEMENT OFFICE FOR MAJOR FLOOD CONTROL PROJECTS</small>	<small>RECOMMENDING APPROVAL:</small> <table style="width: 100%; border-collapse: collapse;"> <tr> <td style="width: 33%; border: 1px solid black;">PROJECT DIRECTOR DATE:</td> <td style="width: 33%; border: 1px solid black;">REGIONAL DIRECTOR DATE:</td> <td style="width: 33%; border: 1px solid black;">DIRECTOR BOD DATE:</td> </tr> </table>			PROJECT DIRECTOR DATE:	REGIONAL DIRECTOR DATE:	DIRECTOR BOD DATE:	<small>APPROVED:</small> <table style="width: 100%; border-collapse: collapse;"> <tr> <td style="width: 50%; border: 1px solid black; text-align: center;">SEE COVER PAGE FOR THE SIGNATURE OF UNDERSECRETARY DATE:</td> <td style="width: 50%; border: 1px solid black; text-align: center;">SEE COVER PAGE FOR THE SIGNATURE AND APPROVAL OF THE SECRETARY DATE:</td> </tr> </table>	SEE COVER PAGE FOR THE SIGNATURE OF UNDERSECRETARY DATE:	SEE COVER PAGE FOR THE SIGNATURE AND APPROVAL OF THE SECRETARY DATE:	<small>PROJECT &amp; LOCATION</small> STUDY ON THE EXISTING DRAINAGE LATERALS IN METRO MANILA	<small>REF. CONTENTS</small> MARICABAN CREEK 1 STA. 2 + 800, 3 + 080 SCALE: H=1:300 V=1:300	<small>SET NO.</small>	<small>SHT. NO.</small> <div style="border: 1px solid black; border-radius: 50%; width: 20px; height: 20px; display: flex; align-items: center; justify-content: center; margin: 0 auto;">             MARICABAN 1              06 05           </div>
PROJECT DIRECTOR DATE:	REGIONAL DIRECTOR DATE:	DIRECTOR BOD DATE:														
SEE COVER PAGE FOR THE SIGNATURE OF UNDERSECRETARY DATE:	SEE COVER PAGE FOR THE SIGNATURE AND APPROVAL OF THE SECRETARY DATE:															

# **MARICABAN CREEK II**

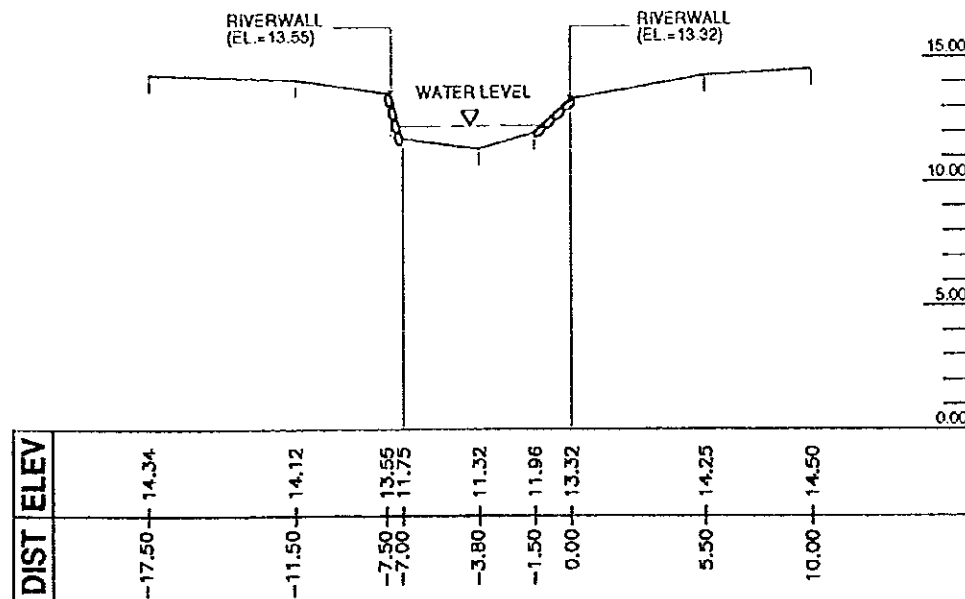
0 + 000  
W.S EL = 11.72  
DATE = JUL. 19-23, 2000



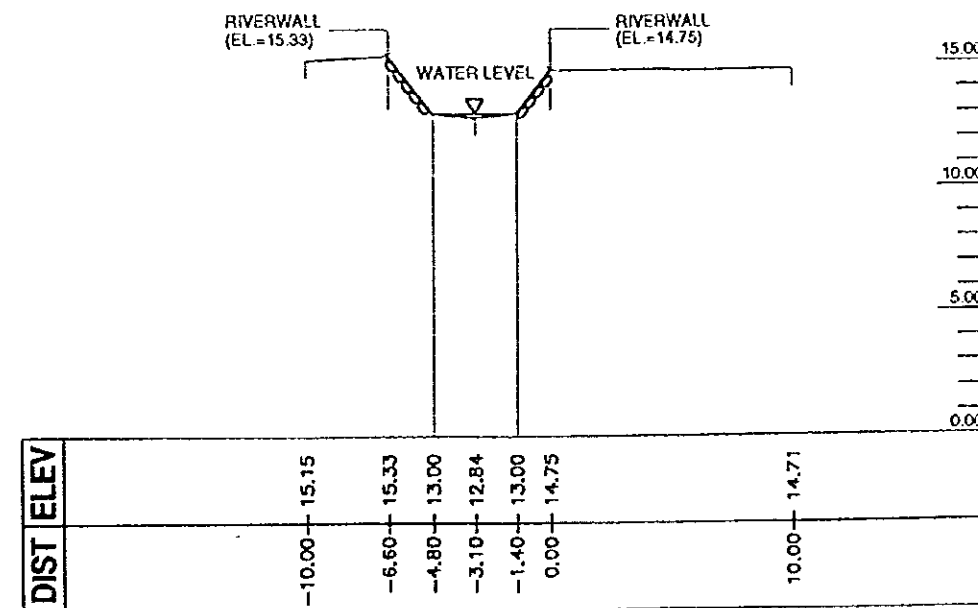
0 + 200  
W.S EL = 11.82  
DATE = JUL. 19-23, 2000




0 + 400  
W.S EL = 12.24  
DATE = JUL. 19-23, 2000

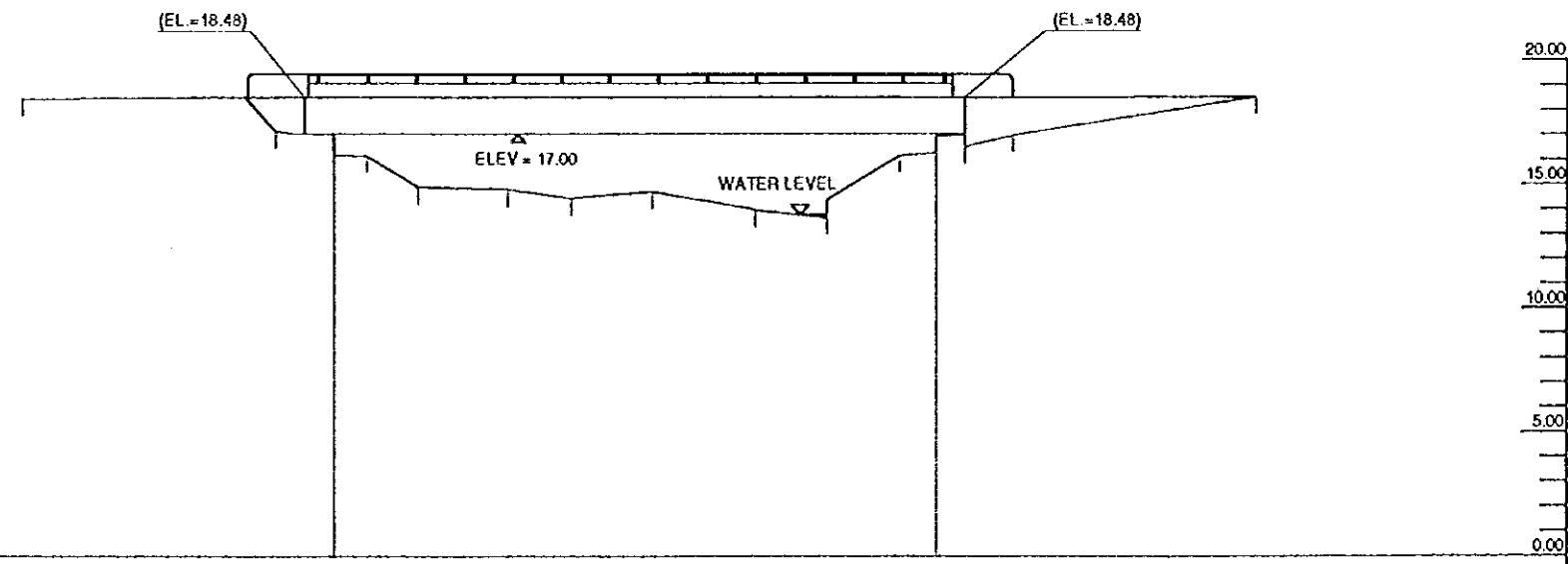


0 + 600  
W.S EL = 13.00  
DATE = JUL 19-23, 2000



CONSULTANTS <b>WOODFIELDS CONSULTANTS, INC.</b> A UNIT OF <b>BASIC TECHNOLOGY AND MANAGEMENT CORPORATION</b> CTE Engineering International Co., Ltd. <small>12-7922</small>	DESIGN: _____	SUBMITTED: _____	RECOMMENDING APPROVAL:			APPROVED: _____	PROJECT & LOCATION STUDY ON THE EXISTING DRAINAGE LATERALS IN METRO MANILA	SHT. CONTENTS MARICABAN CREEK 2 STA. 0 + 000, 0 + 200, 0 + 400, 0 + 600 SCALE: H=1:300 V=1:300	SET NO.	SHT. NO. 01 02
	DRAWN: _____	CHECKED: _____	PROJ. MANAGER	 DEPARTMENT OF PUBLIC WORKS AND HIGHWAYS PROJECT MANAGEMENT OFFICE FOR MAJOR FLOOD CONTROL PROJECTS	PROJECT DIRECTOR DATE: _____	REGIONAL DIRECTOR DATE: _____				

0 + 710  
 WSEL = 13.78  
 DATE = JUNE 14-15, 2000



DIST	ELEV
-38.70	18.44
-28.30	17.11
-25.90	16.15
-24.60	16.13
-22.50	14.87
-18.80	14.77
-16.15	14.42
-12.80	14.67
-8.60	13.93
-5.70	13.63
-2.70	16.13
-1.20	16.26
0.00	16.50
2.00	16.96
12.00	18.52

CONSULTANTS WOODFIELDS CONSULTANTS, INC. BASIC TECHNOLOGY AND MANAGEMENT CORPORATION CTE Engineering International Co., Ltd.	DESIGN: _____	DEPARTMENT OF PUBLIC WORKS AND HIGHWAYS PROJECT MANAGEMENT OFFICE FOR MAJOR FLOOD CONTROL PROJECTS	RECOMMENDING APPROVAL:			APPROVED:		PROJECT & LOCATION STUDY ON THE EXISTING DRAINAGE LATERALS IN METRO MANILA	SHT. CONTENTS MARICABAN CREEK 2 STA 0 + 710 SCALE: H=1:300 V=1:300	SET NO. 02	SHT. NO. 02
	DRAWN: _____		PROJECT DIRECTOR DATE: _____	REGIONAL DIRECTOR DATE: _____	DIRECTOR BOO DATE: _____	SEE COVER PAGE FOR THE SIGNATURE OF UNDERSECRETARY DATE: _____	SEE COVER PAGE FOR THE SIGNATURE AND APPROVAL OF THE SECRETARY DATE: _____				
	CHECKED: _____		PROJ. MANAGER								

1

2

3

4

5

6

7

