

Sasa Hydropower	
P	280 KW
CA	22.0 km ²
Q _{max}	0.66 m ³ /s
H _g	62.5 m

-----	geological boundary
---	fault
- - -	assumed fault
+	fold axis
---	photolineament
40	bedding dip
50	foliation, cleavage dip
60	fault plain dip
70	joint plain dip
○	older collapse

Geological Age	Geological Name	colour	symbol	Lithology	Geological Structure
Recent	Alluvium		Qa	alluvial deposits: gravel, sand, mud	4.5 km long from coast
ditto	Terrace Deposits		Qat	terrace deposits	low height
? Pleistocene	? Honiara Beds		Qpr	reef Limestone: partly brecciated recrystallised limestone with coral/shell	discrete altitudes, small
? U. Mio-Pleistocene	Gallego Volcanics Group		Tm-Qap	Pyroclastics or volcaniclastic Wackes: ill-sorted breccia or conglomerate	gentle dip toward N, faults
ditto			Tm-Qal	Lavas: typically finely porphyritic andesites	ditto

Legend	
□	Intake Weir
▷	Intake and Sand Trap
▬	Tunnel
▬	Headrace and Penstock
○	Head Tank
□	Powerhouse
▬	Existing Road
▬	Access Road

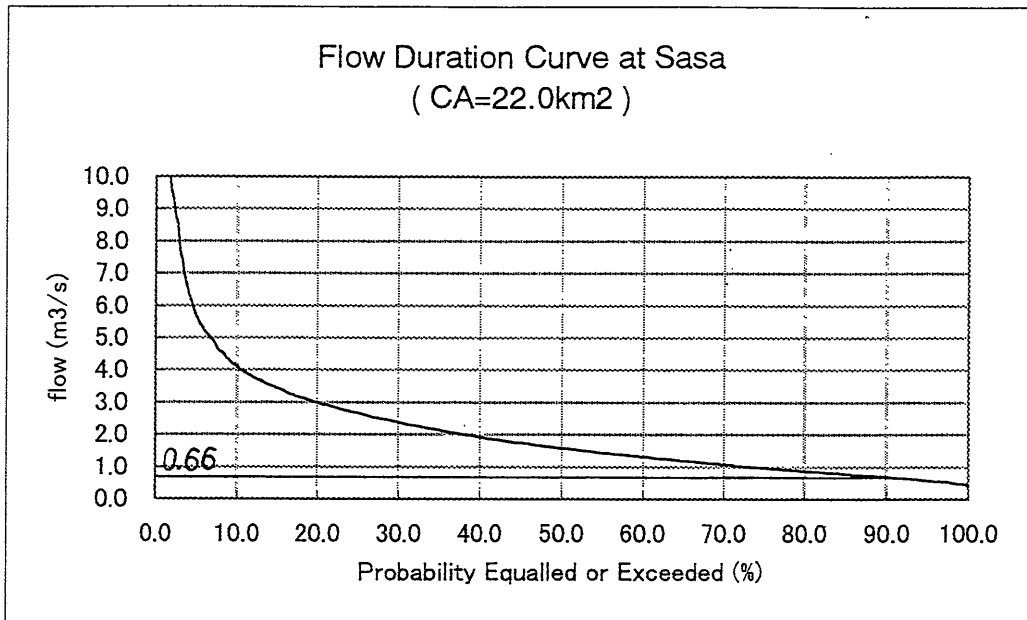
MINISTRY OF NATURAL RESOURCES
 SOLOMON ISLANDS
 SOLOMON ISLANDS ELECTRICITY AUTHORITY
 MASTER PLAN STUDY OF POWER DEVELOPMENT
 IN SOLOMON ISLANDS

JAPAN INTERNATIONAL COOPERATION AGENCY

Fig. 5 - 7 - 11
 Sasa Hydropower Project
 Geological Map

DRG. NO.
 SH. NO.
 DATE

Scale 500m



Station: Lungga Bridge, Guadalcanal, CA=377km²
 Data: 1966-'68, '71, '77-'79, '86-'89, '96
 Maximum discharge=0.66m³/s, FUF=0.96
 Sources: Ministry of Natural Resouces

Fig.5-7-12. Flow Duration Curve at Sasa

85

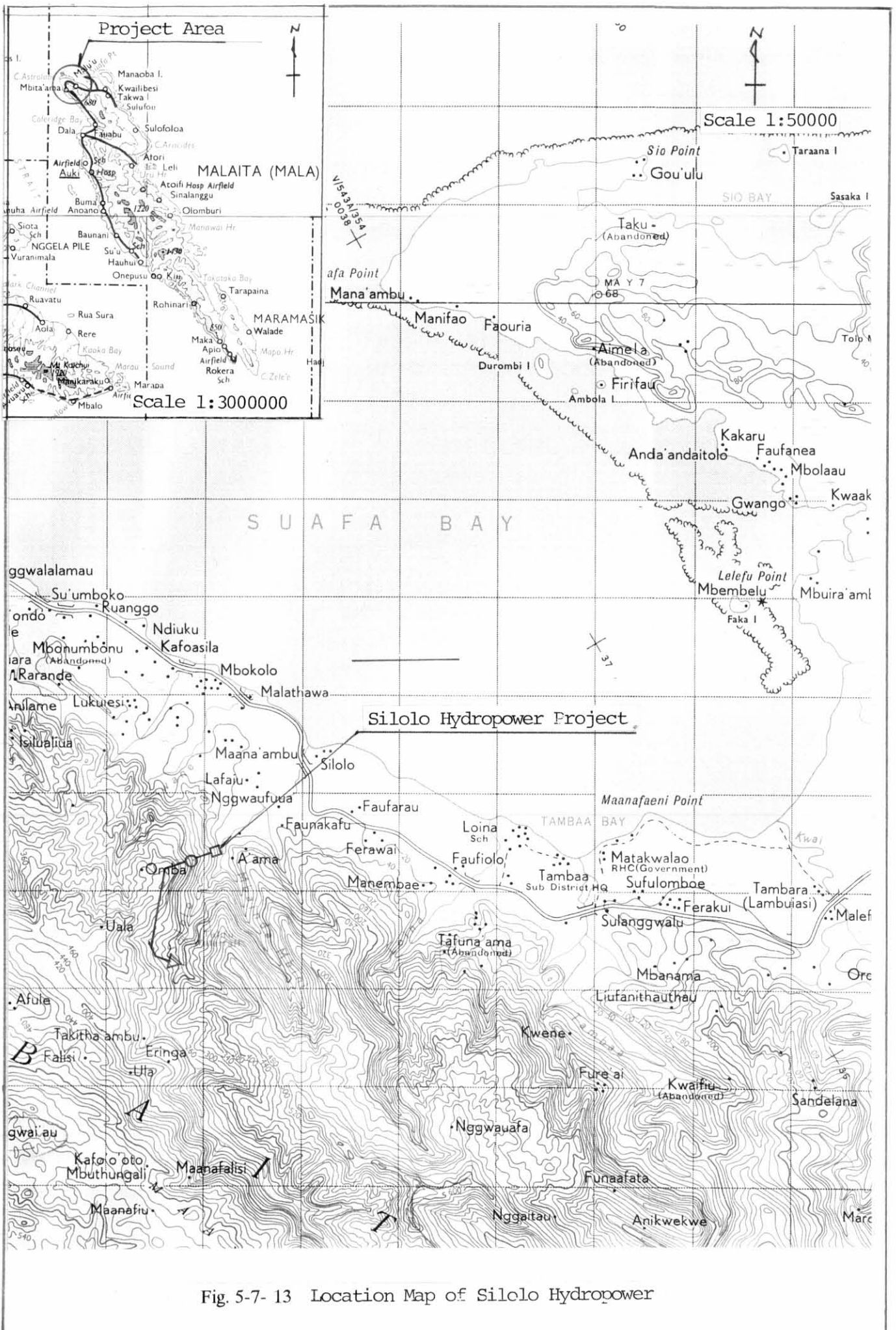
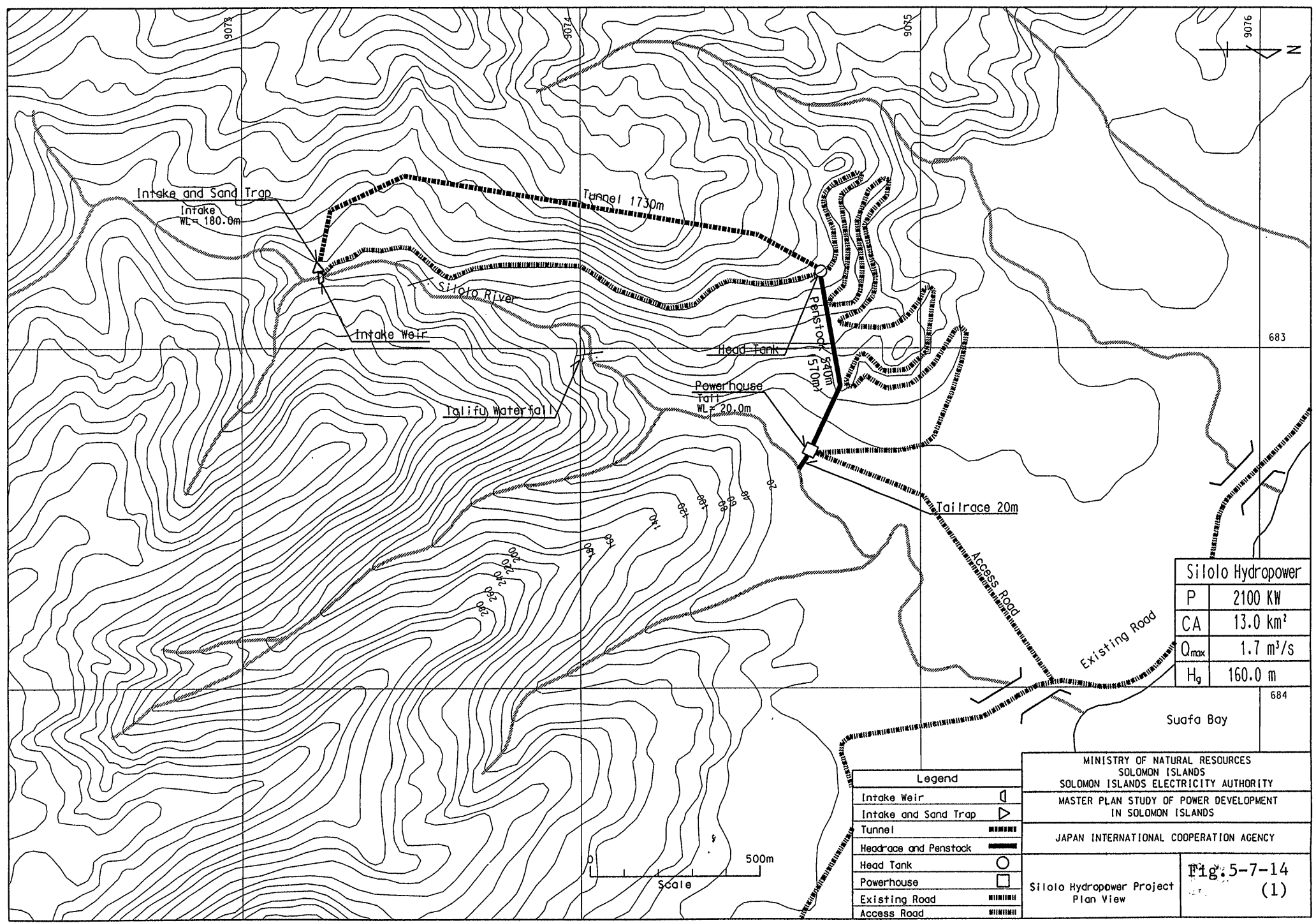


Fig. 5-7- 13 Location Map of Silolo Hydropower



Siloto Hydropower	
P	2100 KW
CA	13.0 km ²
Q _{max}	1.7 m ³ /s
H _g	160.0 m

Legend	
Intake Weir	▤
Intake and Sand Trap	▴
Tunnel	▬▬▬▬▬▬
Headrace and Penstock	▬▬▬▬▬▬
Head Tank	○
Powerhouse	□
Existing Road	▬▬▬▬▬▬
Access Road	▬▬▬▬▬▬

MINISTRY OF NATURAL RESOURCES
SOLOMON ISLANDS
SOLOMON ISLANDS ELECTRICITY AUTHORITY
MASTER PLAN STUDY OF POWER DEVELOPMENT
IN SOLOMON ISLANDS
JAPAN INTERNATIONAL COOPERATION AGENCY

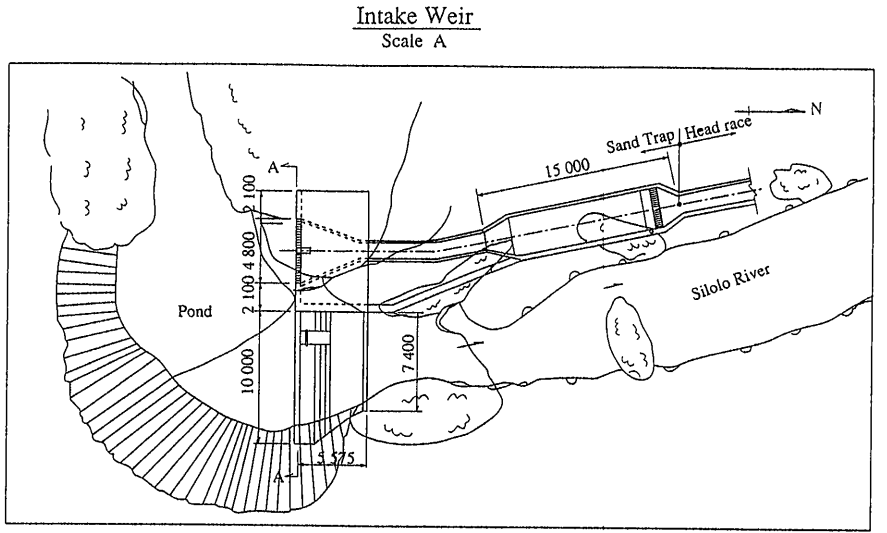
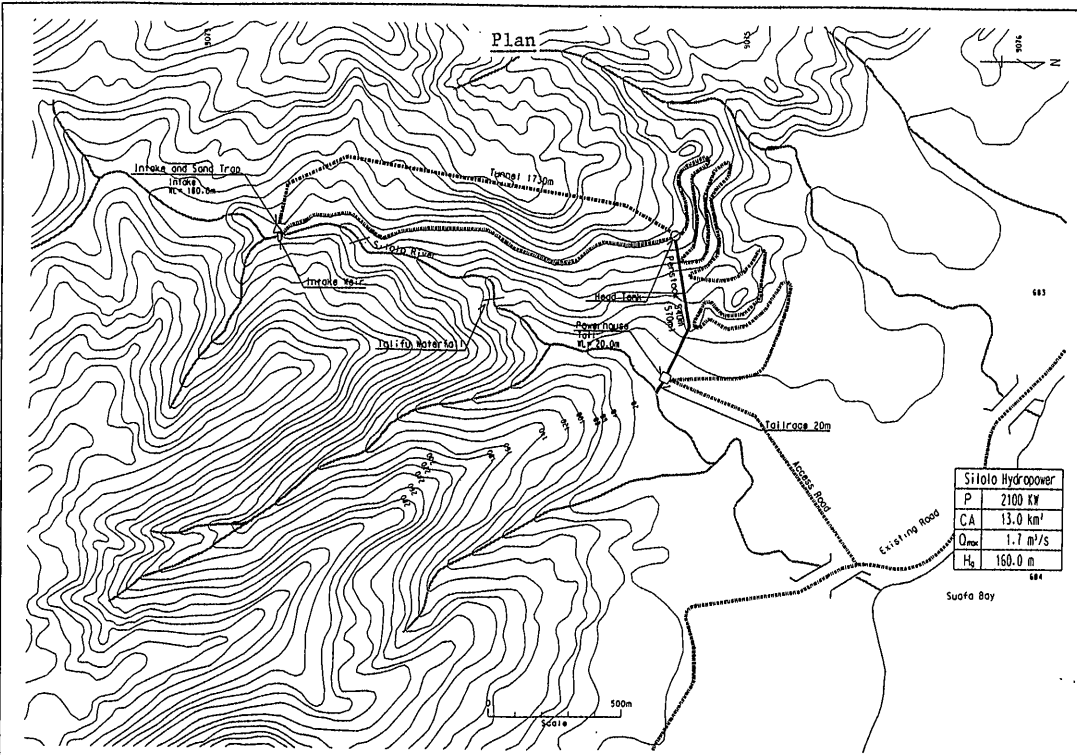
Suafa Bay

Siloto Hydropower Project
Plan View

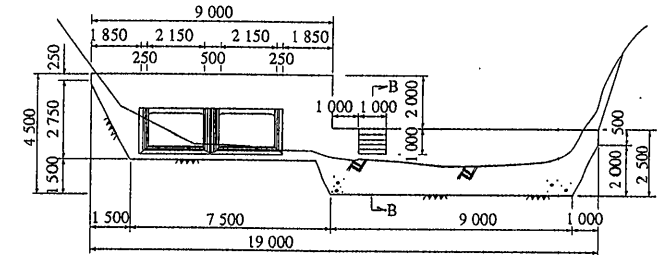
Fig. 5-7-14
(1)

683

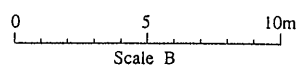
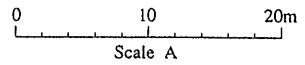
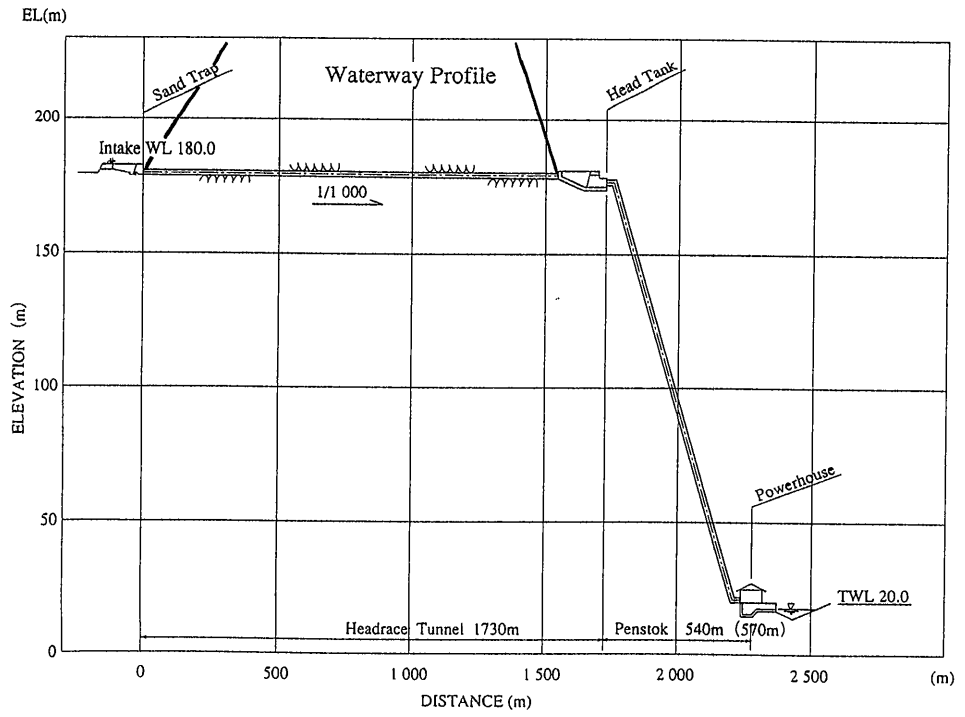
684



Section A-A
Scale B

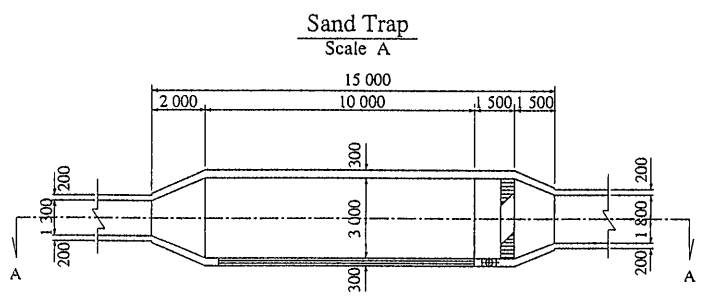


Section B-B
Scale B

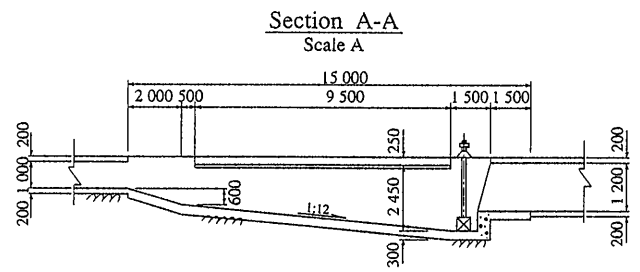


Note
 1. Elevation indicated is approximate only.
 2. Figure in "()" shows slope distance.

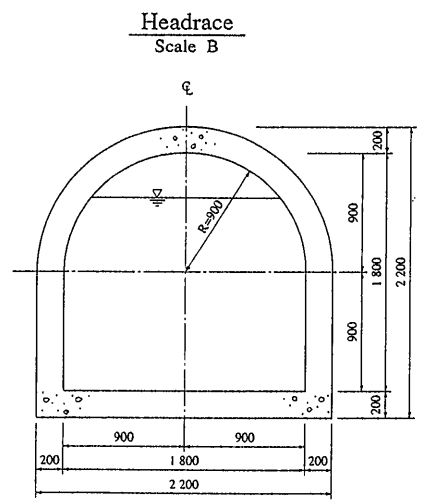
MINISTRY OF NATURAL RESOURCES SOLOMON ISLANDS SOLOMON ISLANDS ELECTRICITY AUTHORITY MASTER PLAN STUDY OF POWER DEVELOPMENT SOLOMON ISLANDS	
JAPAN INTERNATIONAL COOPERATION AGENCY	
Silolo Hydropower Project Plan View, Intake	Fig.5-7-14 (2)



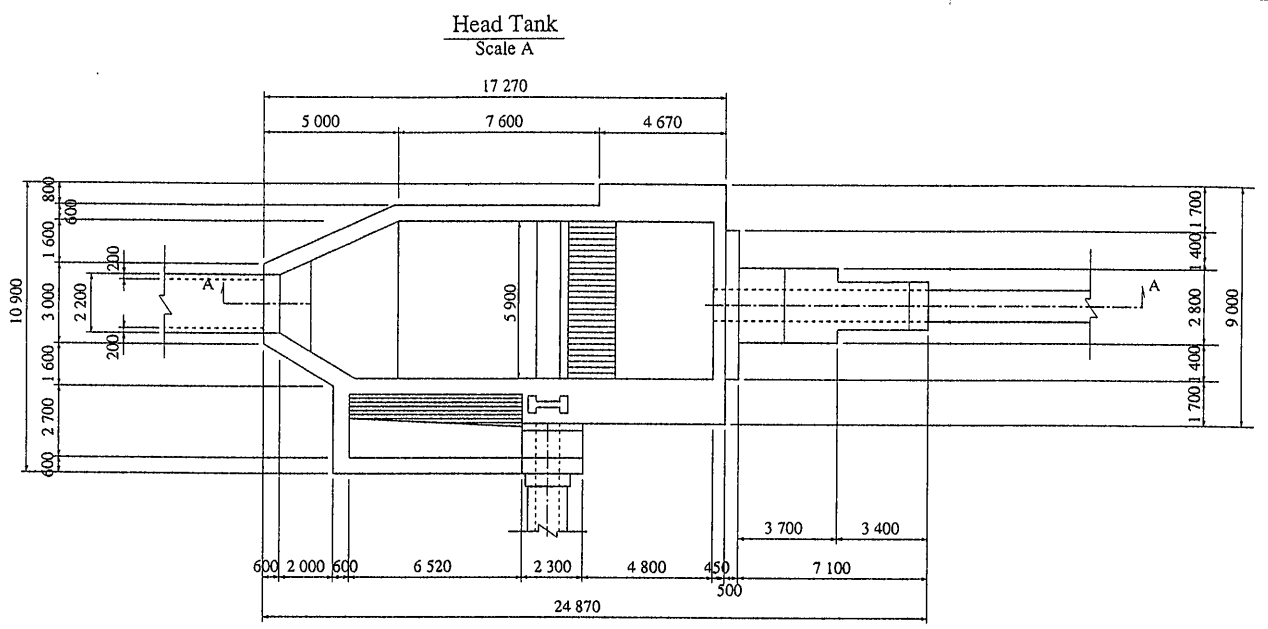
Sand Trap
Scale A



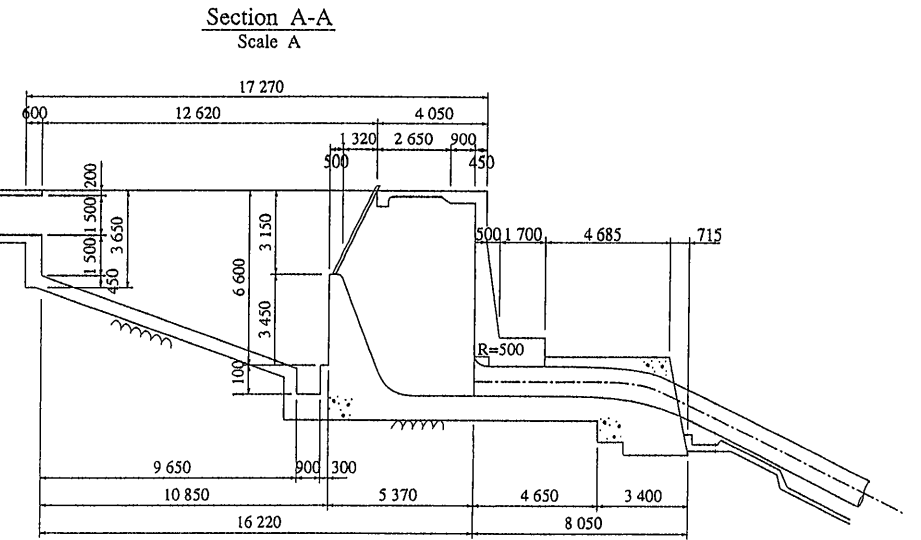
Section A-A
Scale A



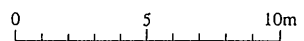
Headrace
Scale B



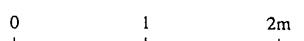
Head Tank
Scale A



Section A-A
Scale A

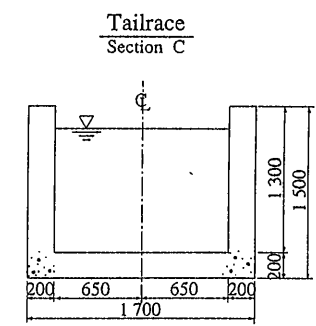
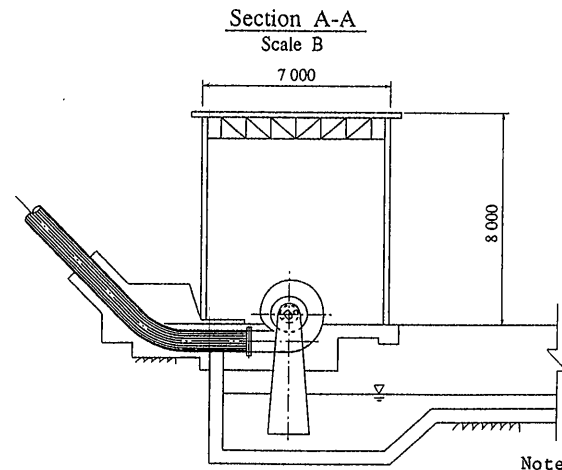
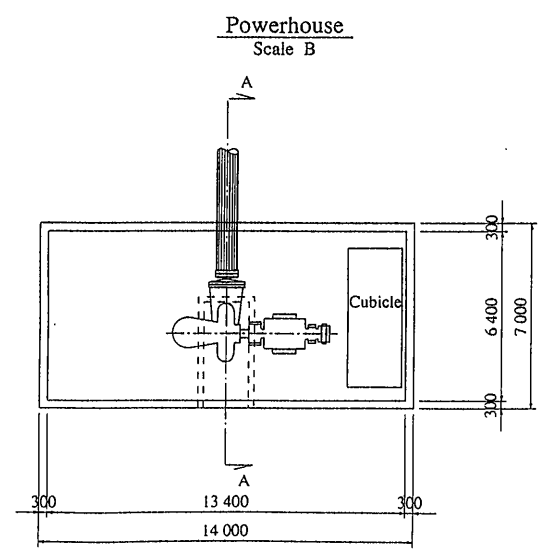
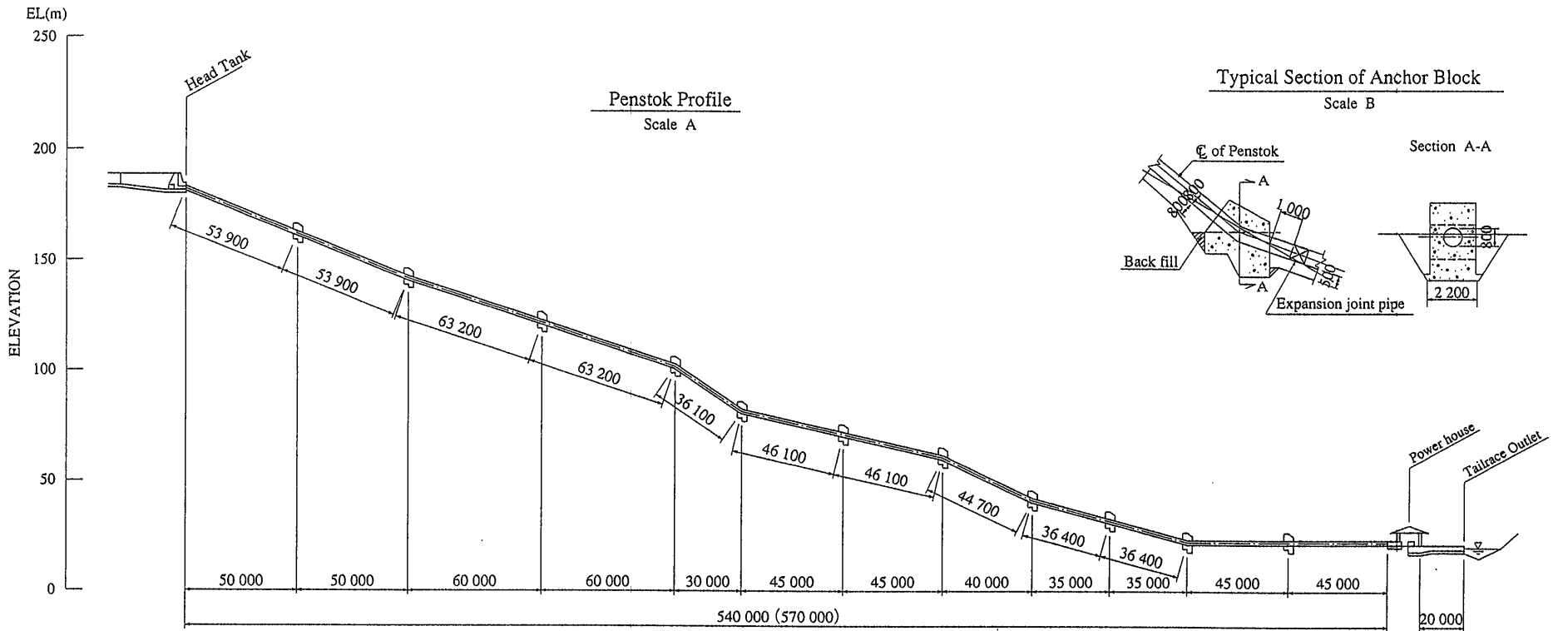


Scale A



Scale B

MINISTRY OF NATURAL RESOURCES SOLOMON ISLANDS SOLOMON ISLANDS ELECTRICITY AUTHORITY MASTER PLAN STUDY OF POWER DEVELOPMENT SOLOMON ISLANDS	
JAPAN INTERNATIONAL COOPERATION AGENCY	
Silolo Hydropower Project Sand Trap, Headrace, and Head Tank	Fig. 5-7-14 (3)



Note
1. Elevation indicated is approximate only.
2. Figure in "()" shows slope distance.

MINISTRY OF NATURAL RESOURCES SOLOMON ISLANDS SOLOMON ISLANDS ELECTRICITY AUTHORITY MASTER PLAN STUDY OF POWER DEVELOPMENT SOLOMON ISLANDS	
JAPAN INTERNATIONAL COOPERATION AGENCY	
Sitilo Hydropower Project	Fig. No. S-7-14
Penstock, Powerhouse and Tailrace	DA: (4)

Station : Auki

Island : Malaita

Data : 1962-1997

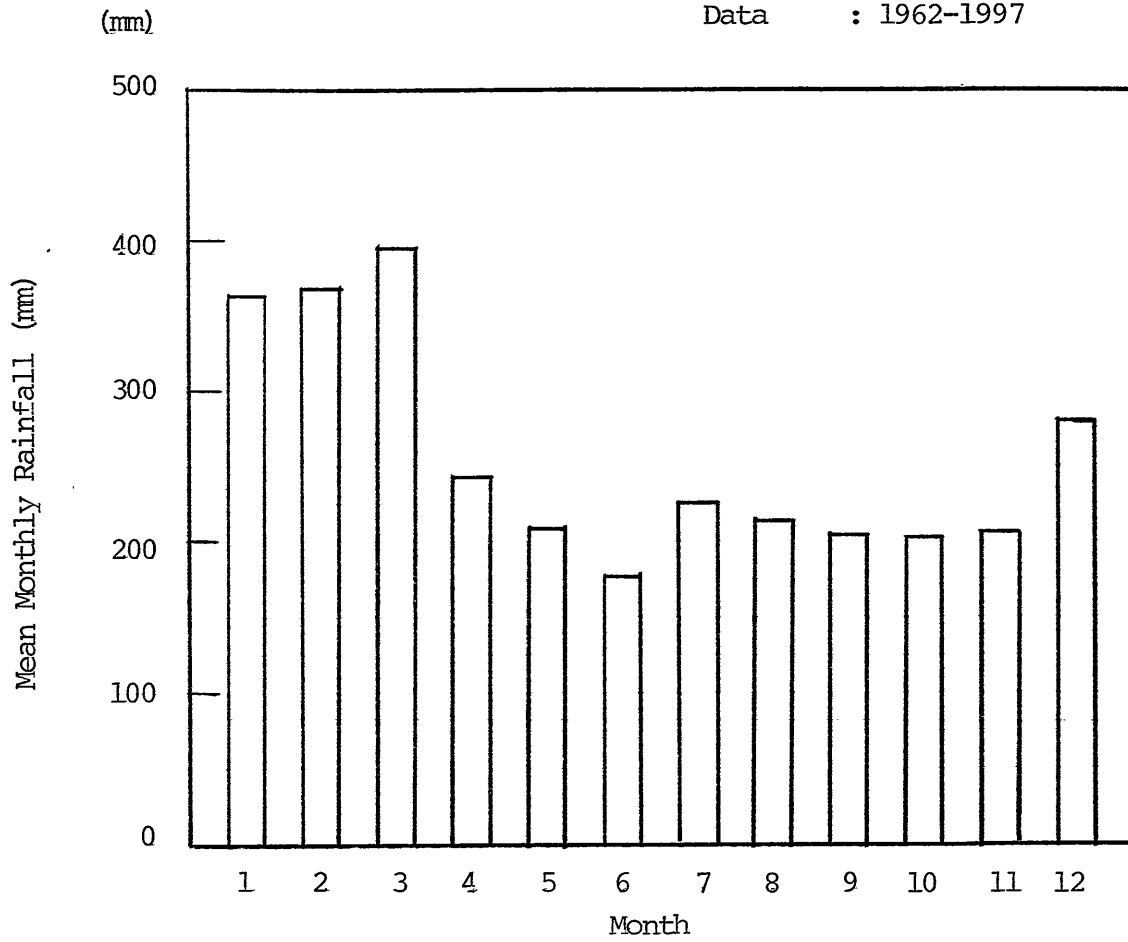
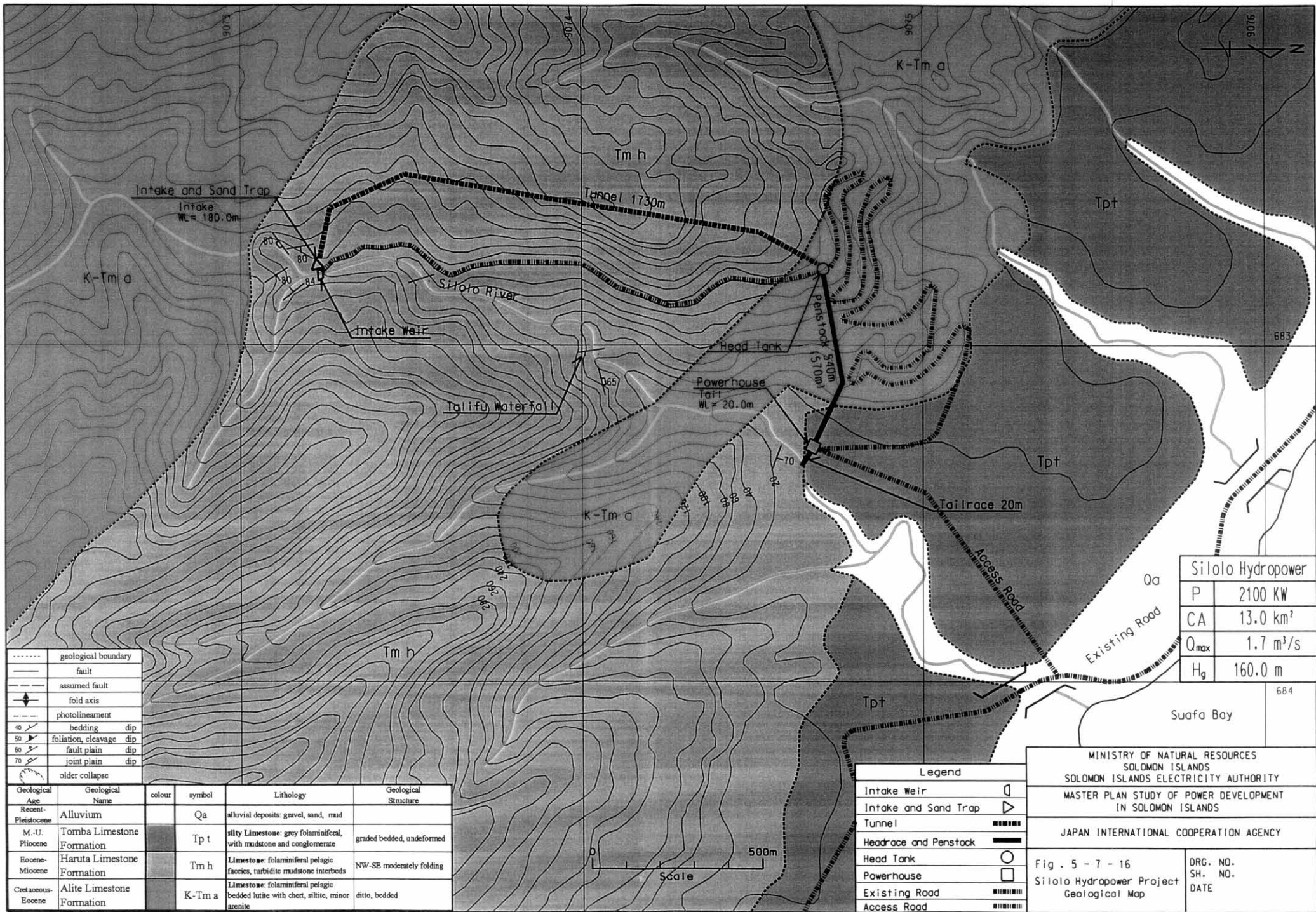


Fig. 5-7- 15 Mean Monthly Rainfall in Auki



Silolo Hydropower	
P	2100 KW
CA	13.0 km ²
Q _{max}	1.7 m ³ /s
H _g	160.0 m

-----	geological boundary
---	fault
- - -	assumed fault
↕	fold axis
.....	photolineament
40	bedding dip
50	foliation, cleavage dip
80	fault plain dip
70	joint plain dip
.....	older collapse

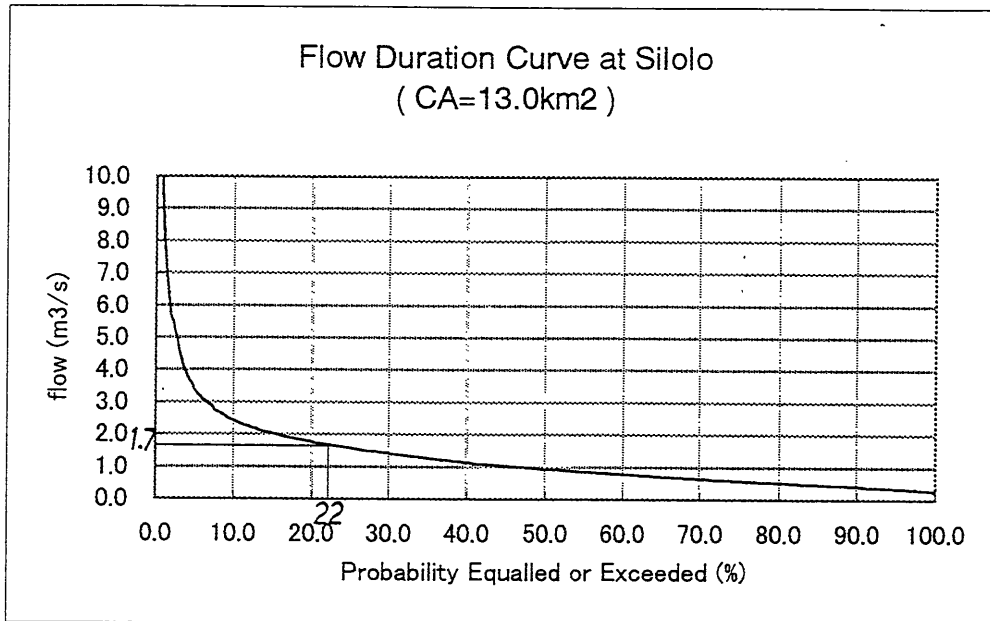
Geological Age	Geological Name	colour	symbol	Lithology	Geological Structure
Recent-Pleistocene	Alluvium		Qa	alluvial deposits: gravel, sand, mud	
M.-U. Pliocene	Tomba Limestone Formation		Tp t	slaty Limestone: grey foliariferal, with mudstone and conglomerate	graded bedded, undeformed
Eocene-Miocene	Haruta Limestone Formation		Tm h	Limestone: foliariferal pelagic facies, turbidite mudstone interbeds	NW-SE moderately folding
Cretaceous-Eocene	Alite Limestone Formation		K-Tm a	Limestone: foliariferal pelagic bedded lutite with chert, siltite, minor arenite	ditto, bedded

Legend	
▭	Intake Weir
▱	Intake and Sand Trap
▬	Tunnel
▬	Headrace and Penstock
○	Head Tank
▭	Powerhouse
▬	Existing Road
▬	Access Road

MINISTRY OF NATURAL RESOURCES
SOLOMON ISLANDS
SOLOMON ISLANDS ELECTRICITY AUTHORITY
MASTER PLAN STUDY OF POWER DEVELOPMENT
IN SOLOMON ISLANDS
JAPAN INTERNATIONAL COOPERATION AGENCY

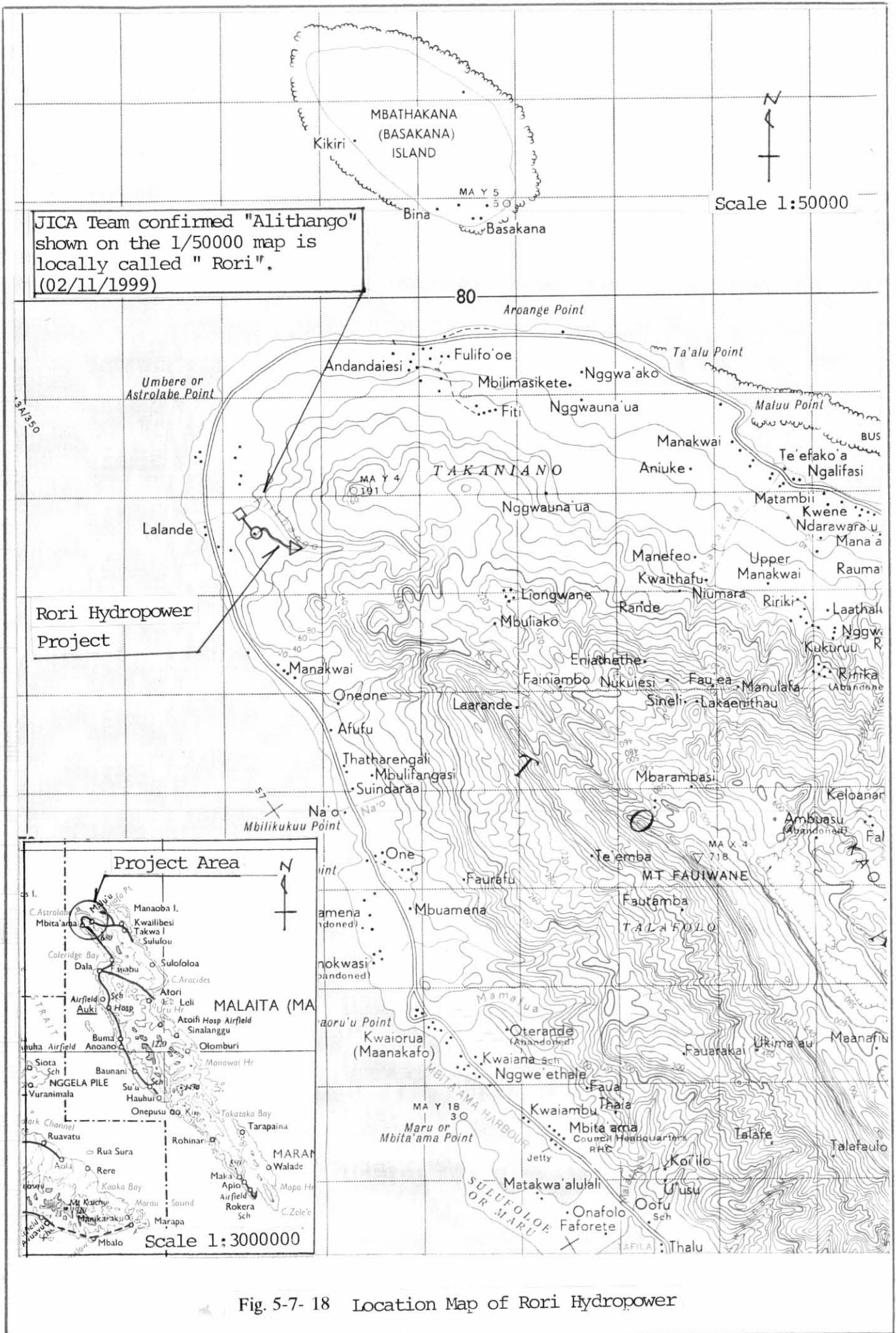
Fig. 5 - 7 - 16
Silolo Hydropower Project
Geological Map

DRG. NO.
SH. NO.
DATE

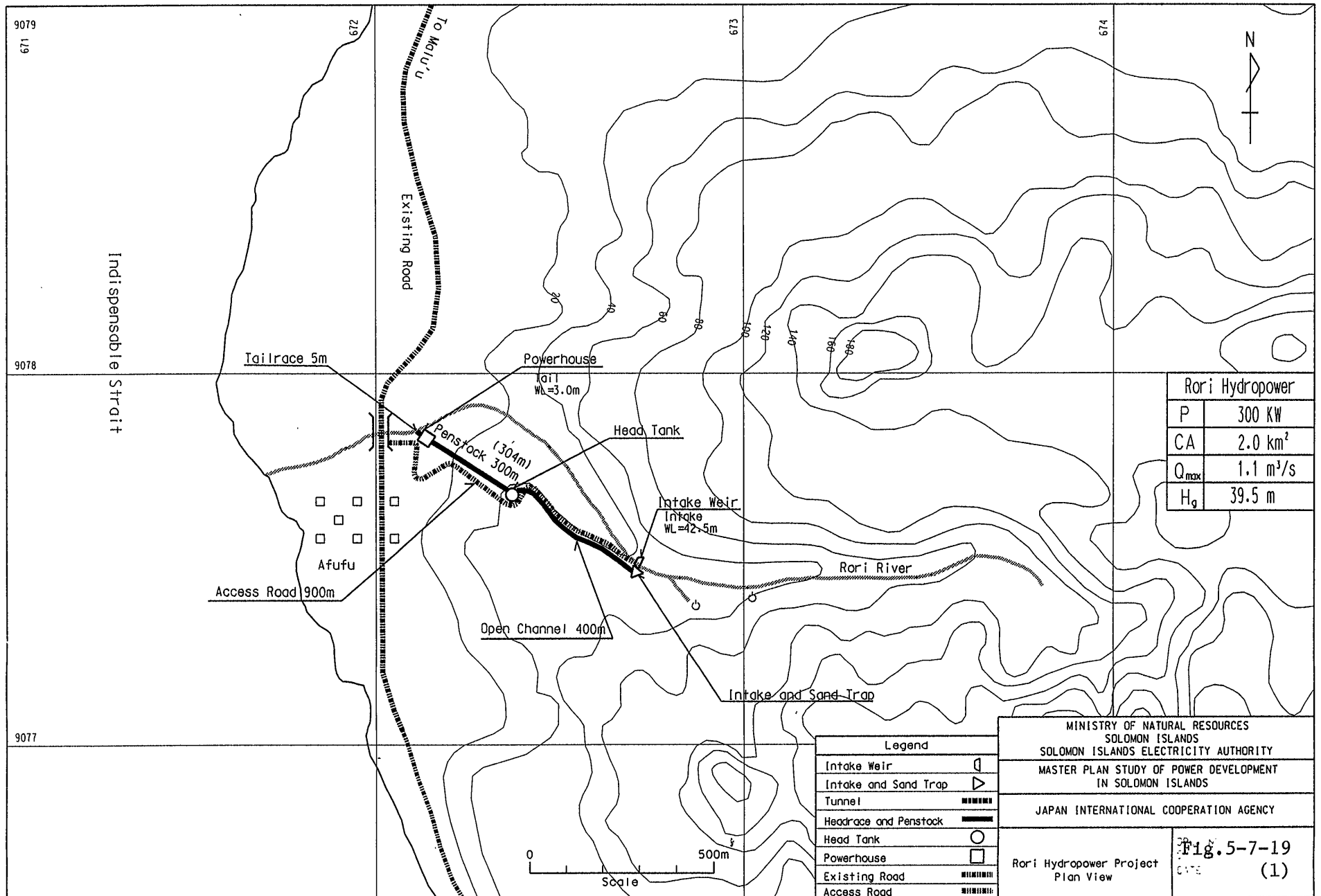


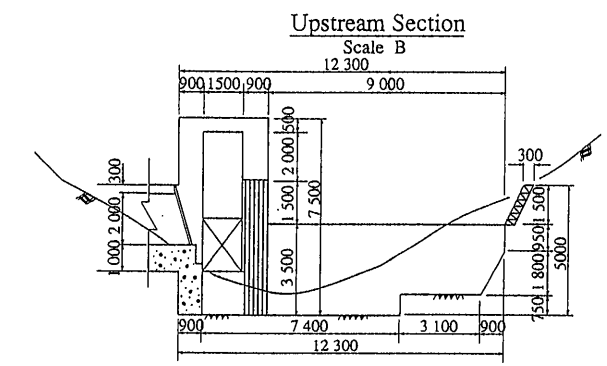
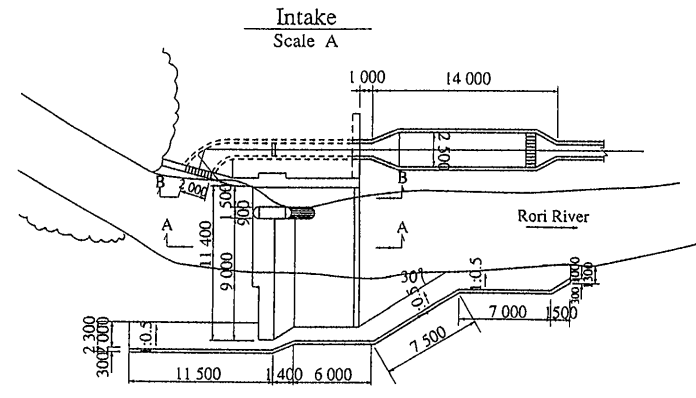
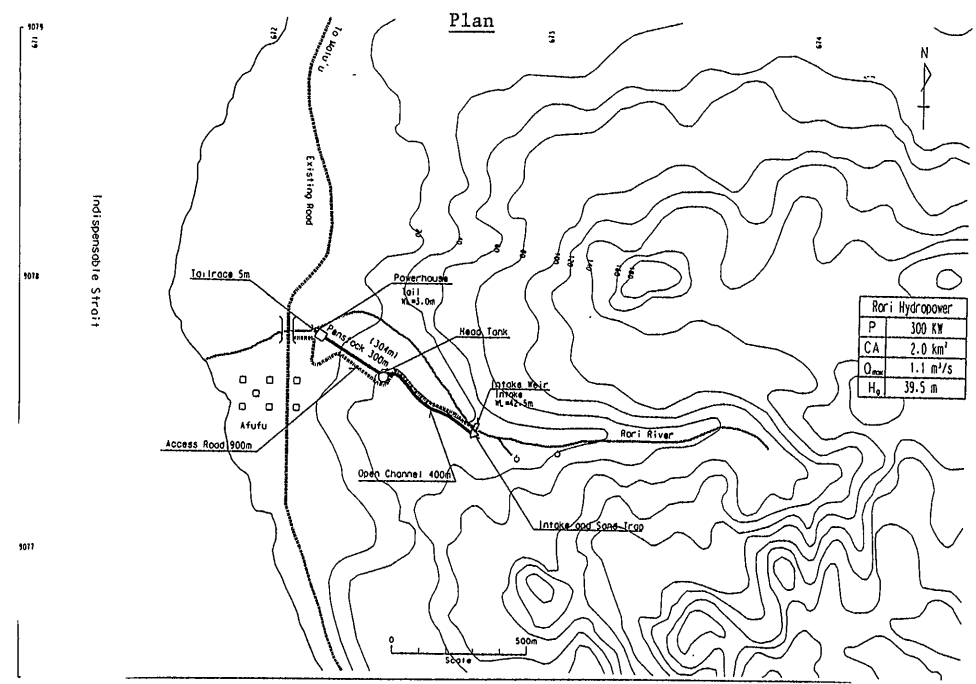
Station: Lungga Bridge, Guadalcanal, CA=377km²
 Data: 1966-'68, '71, '77-'79, '86-'89, '96
 Maximum discharge=1.7m³/s, FUF=0.6
 Sources: Ministry of Natural Resources

Fig.5-7-17. Flow Duration Curve at Silolo



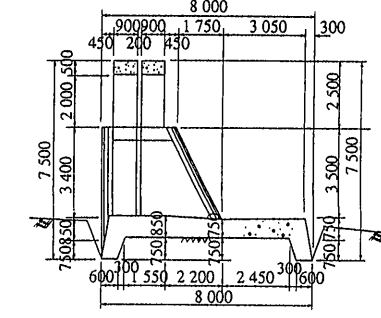
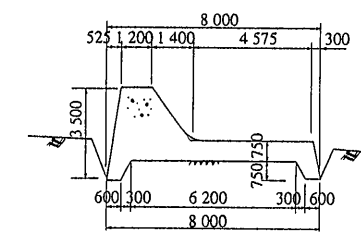
159





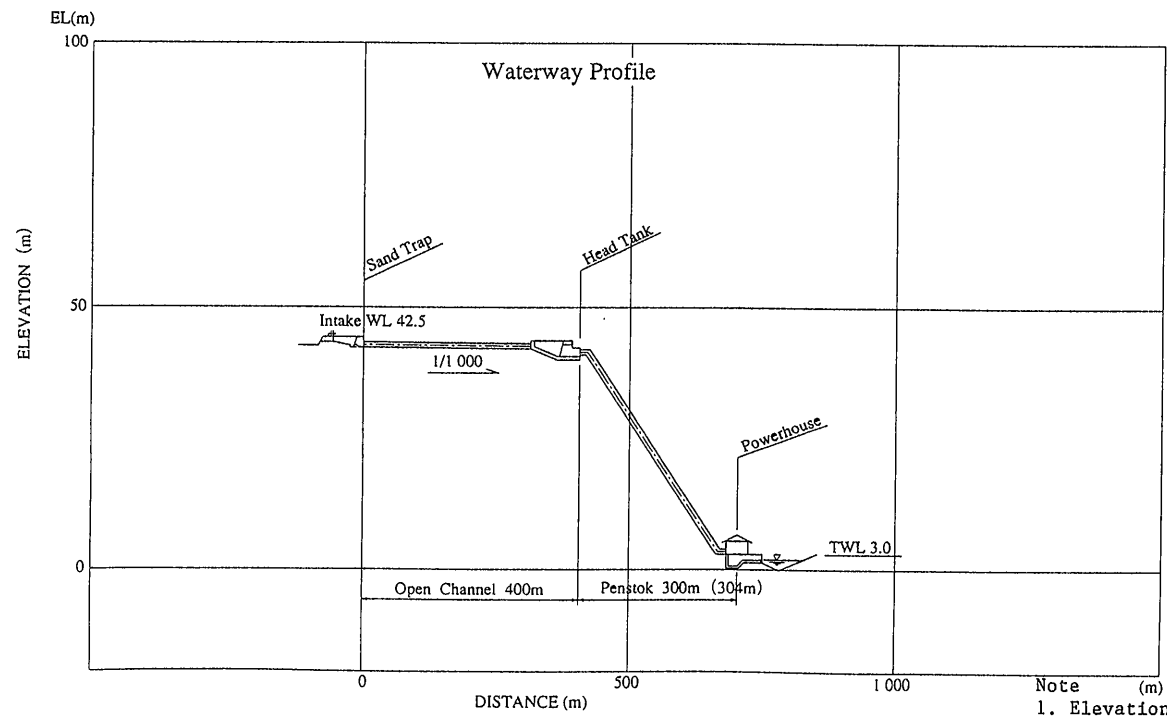
Section A-A Scale B

Section B-B Scale B



Scale A

Scale B



Note (m)

1. Elevation indicated is approximate only.
2. Figure in "()" shows slope distance.

MINISTRY OF NATURAL RESOURCES
SOLOMON ISLANDS
SOLOMON ISLANDS ELECTRICITY AUTHORITY
MASTER PLAN STUDY OF POWER DEVELOPMENT
SOLOMON ISLANDS

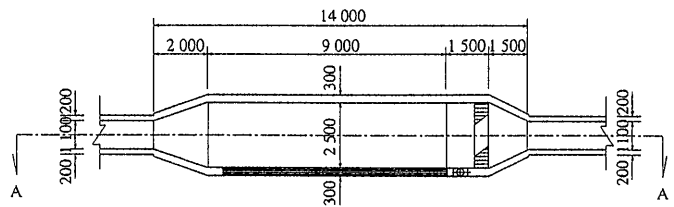
JAPAN INTERNATIONAL COOPERATION AGENCY

Rori Hydropower Project

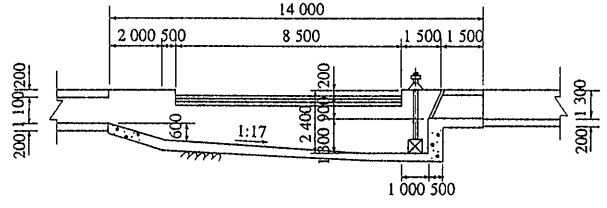
Plan View, Intake

Fig. 5-7-19
(2)

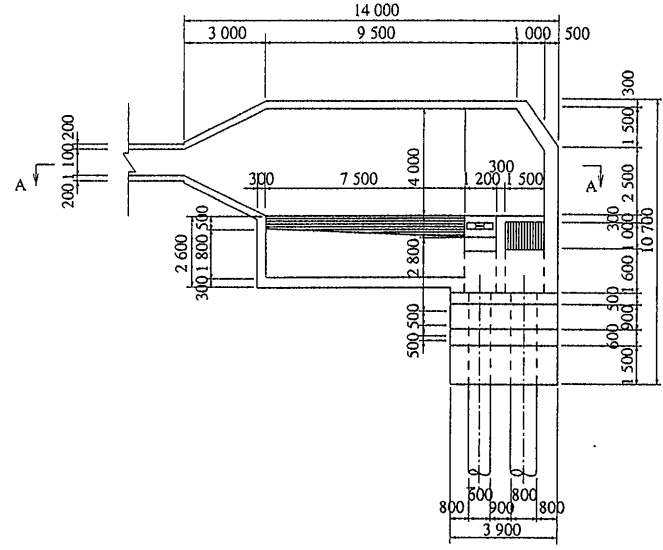
Sand Trap
Scale A



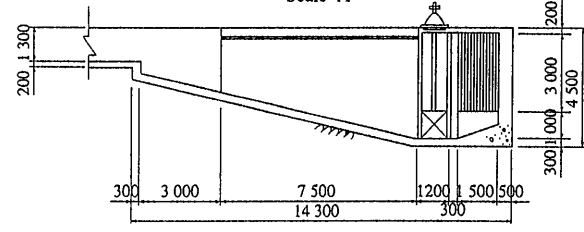
Section A-A
Scale A



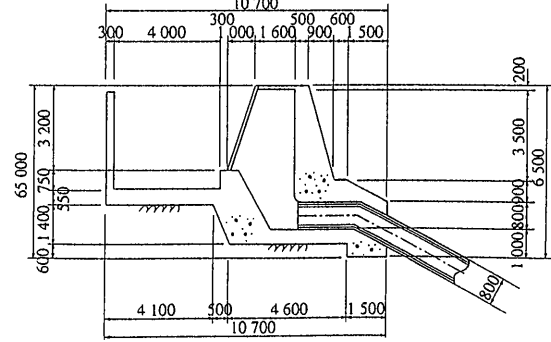
Head Tank
Scale A



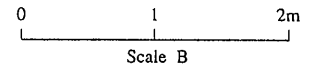
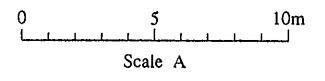
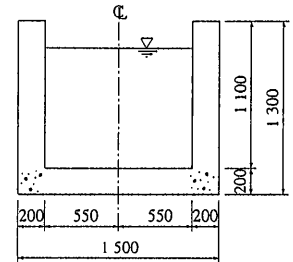
Section A-A
Scale A



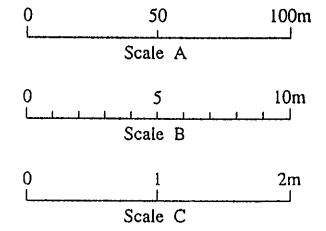
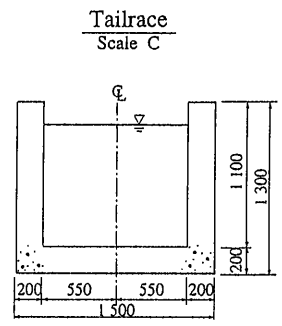
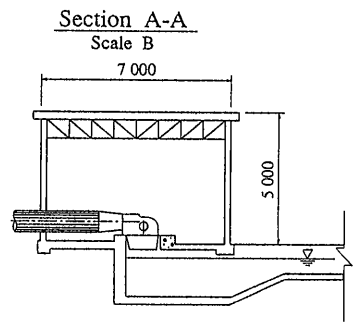
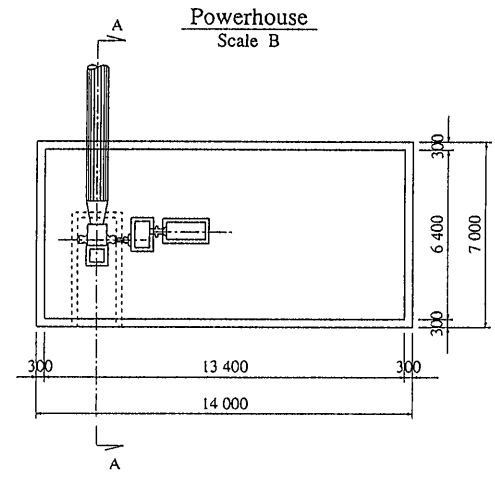
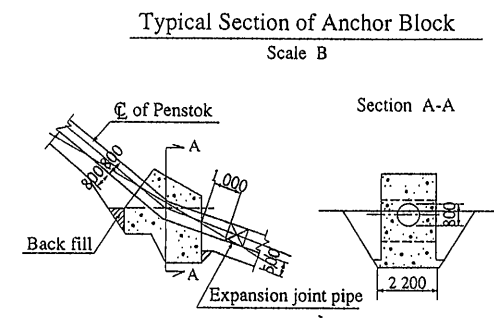
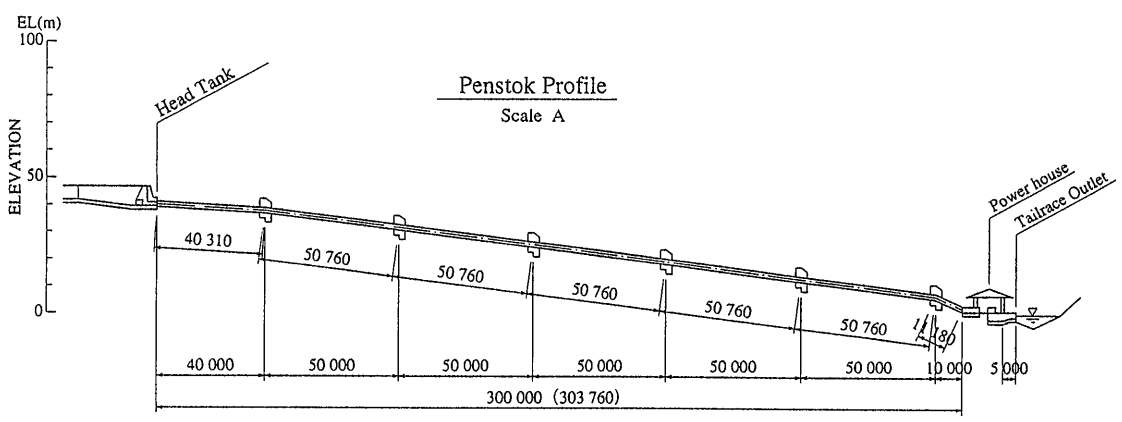
Section B-B
Scale B



Headrace
Scale B



MINISTRY OF NATURAL RESOURCES SOLOMON ISLANDS SOLOMON ISLANDS ELECTRICITY AUTHORITY	
MASTER PLAN STUDY OF POWER DEVELOPMENT SOLOMON ISLANDS	
JAPAN INTERNATIONAL COOPERATION AGENCY	
Rori Hydropower Project Sand Trap, Headrace, and Head Tank	Fig. 5-7-19 (3)



MINISTRY OF NATURAL RESOURCES
 SOLOMON ISLANDS
 SOLOMON ISLANDS ELECTRICITY AUTHORITY
 MASTER PLAN STUDY OF POWER DEVELOPMENT
 SOLOMON ISLANDS
 JAPAN INTERNATIONAL COOPERATION AGENCY

Note
 1. Elevation indicated is approximate only.
 2. Figure in "()" shows slope distance.

Rori Hydropower Project
 Penstock, Powerhouse and Tailrace
 Fig. 5-7-19
 (4)

