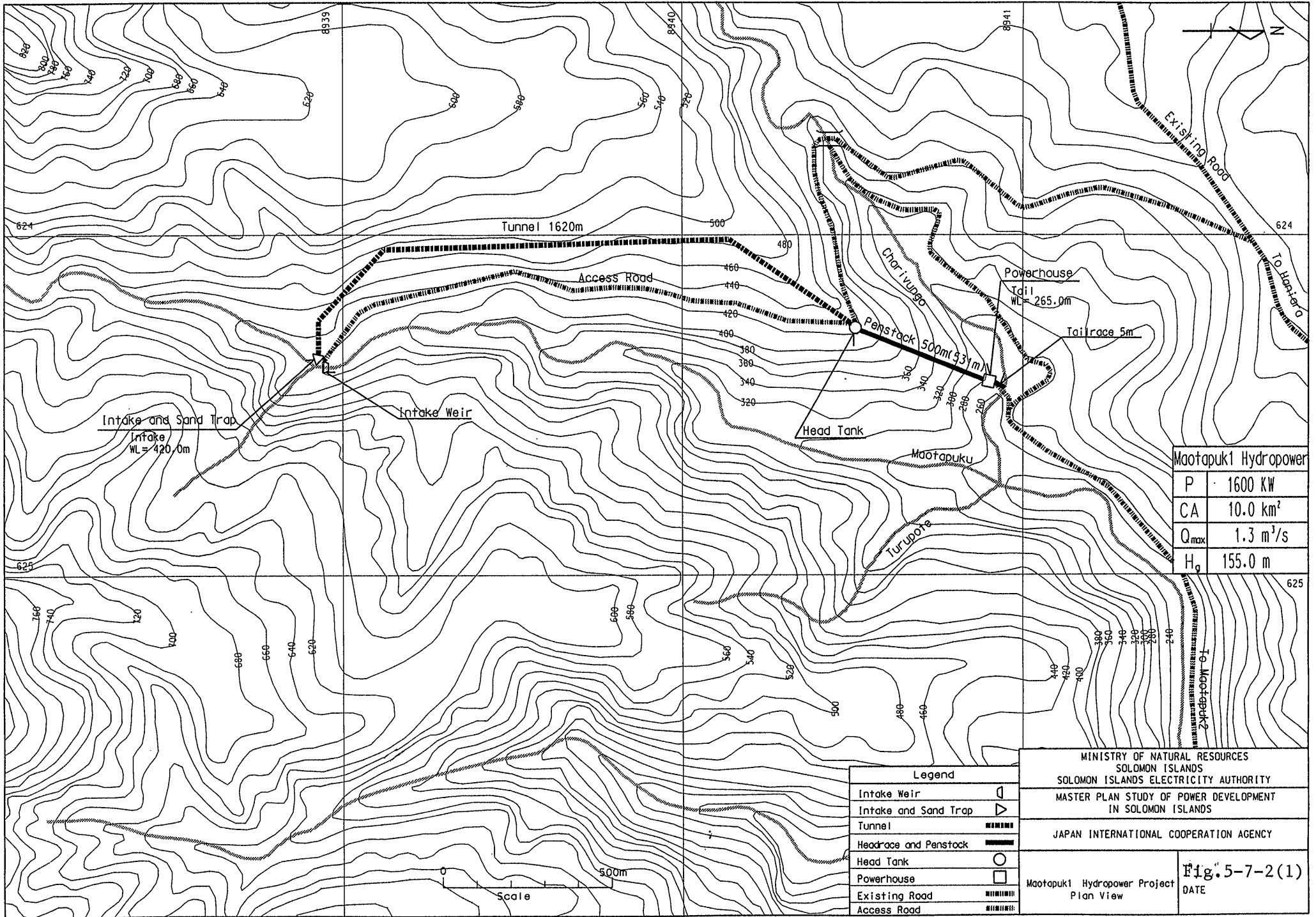
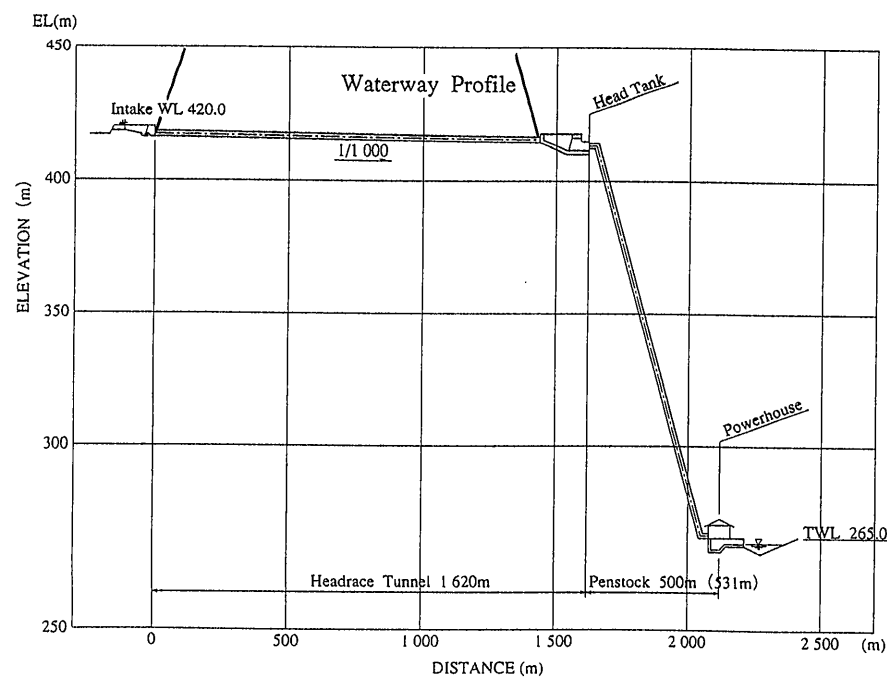
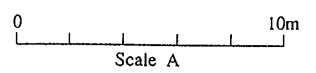
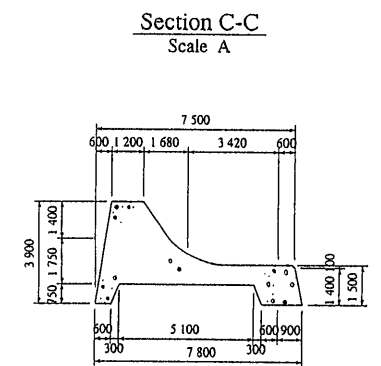
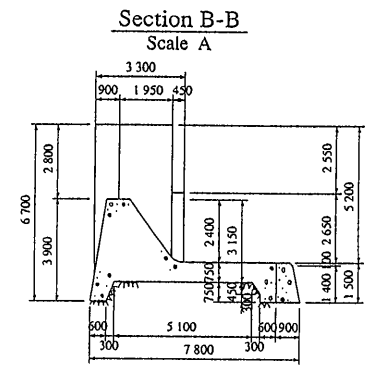
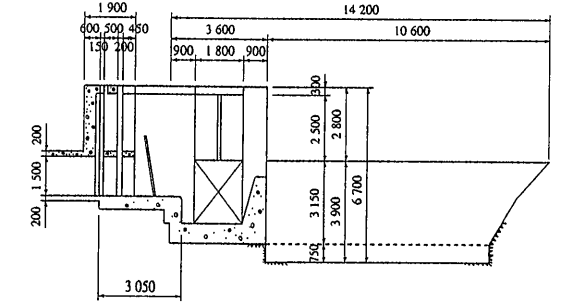
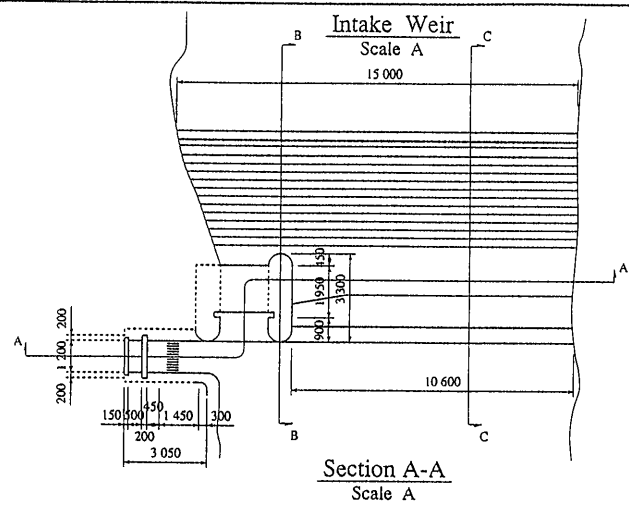
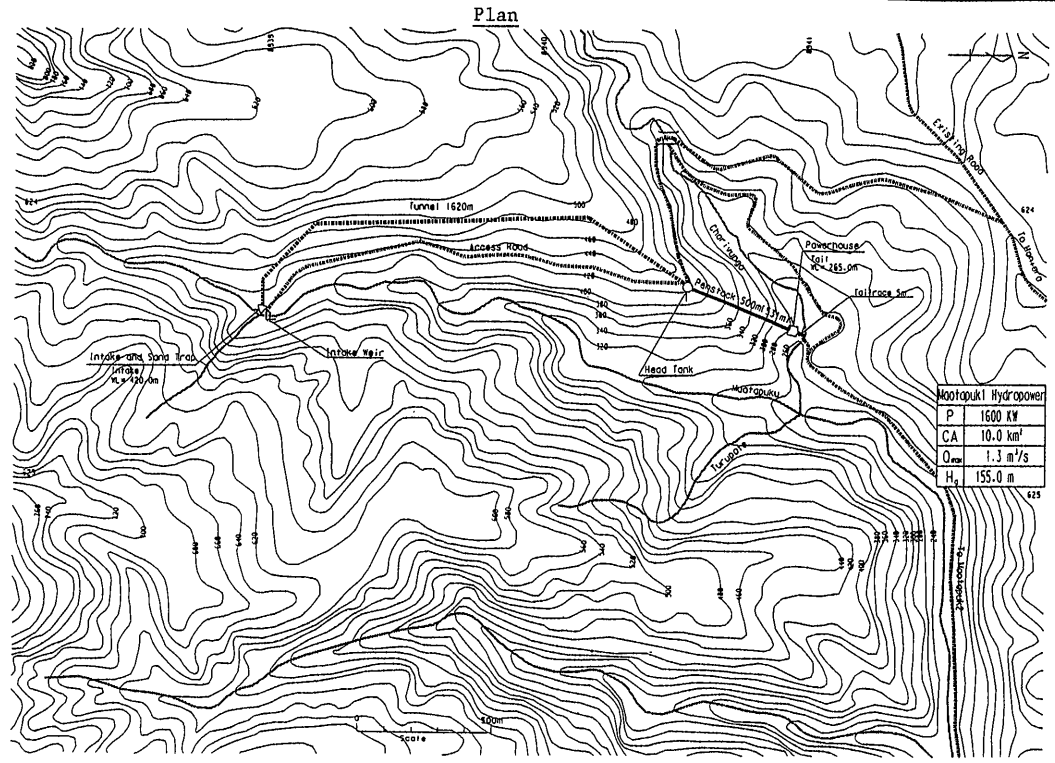


Fig. 5-7-1 Location Map of Maotapuku 1,2 Hydropower

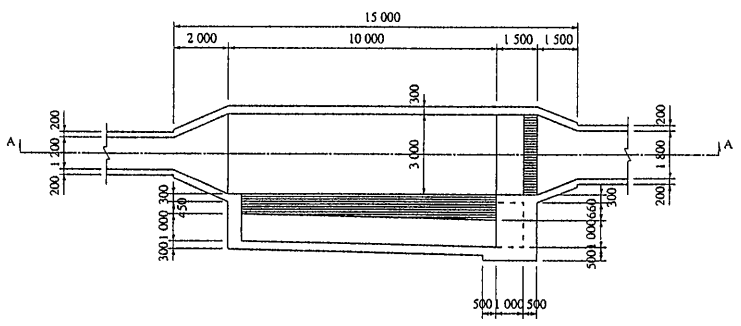




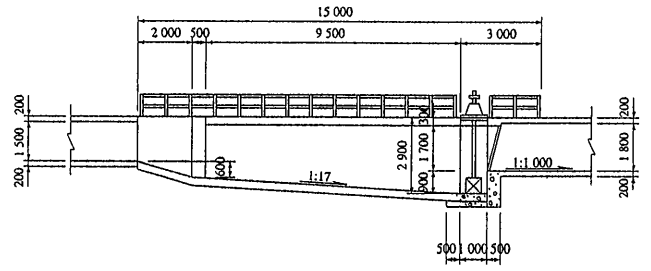
Note
1. Elevation indicated is approximate only.
2. Figure in "()" shows slope distance.

MINISTRY OF NATURAL RESOURCES SOLOMON ISLANDS SOLOMON ISLANDS ELECTRICITY AUTHORITY MASTER PLAN STUDY OF POWER DEVELOPMENT SOLOMON ISLANDS	
JAPAN INTERNATIONAL COOPERATION AGENCY	
Maotopuku I Hydropower Project	Fig. 5-7-2(2)
Plan View, Intake	

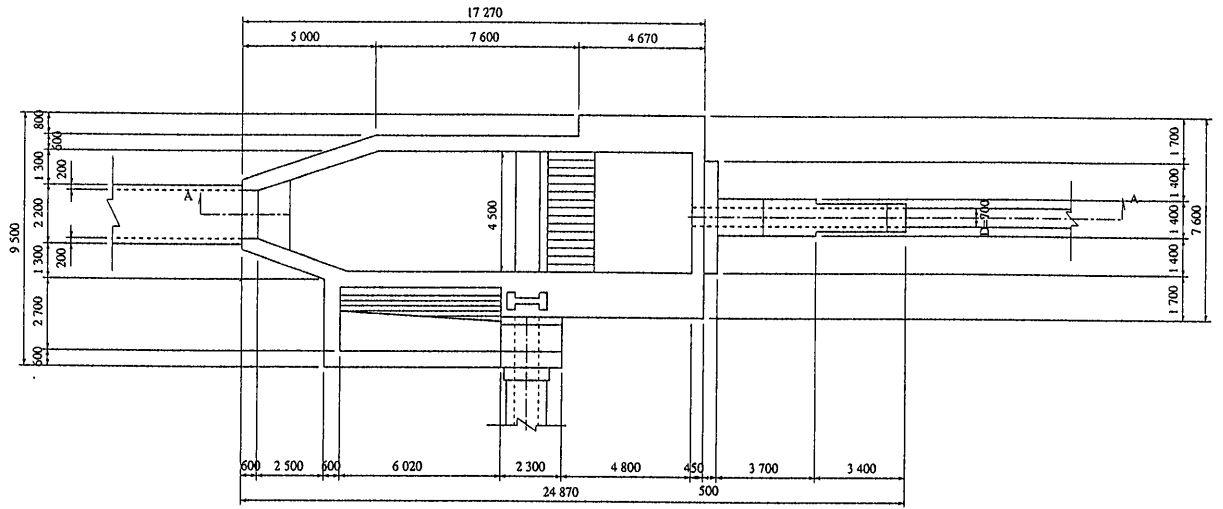
Sand Trap
Scale A



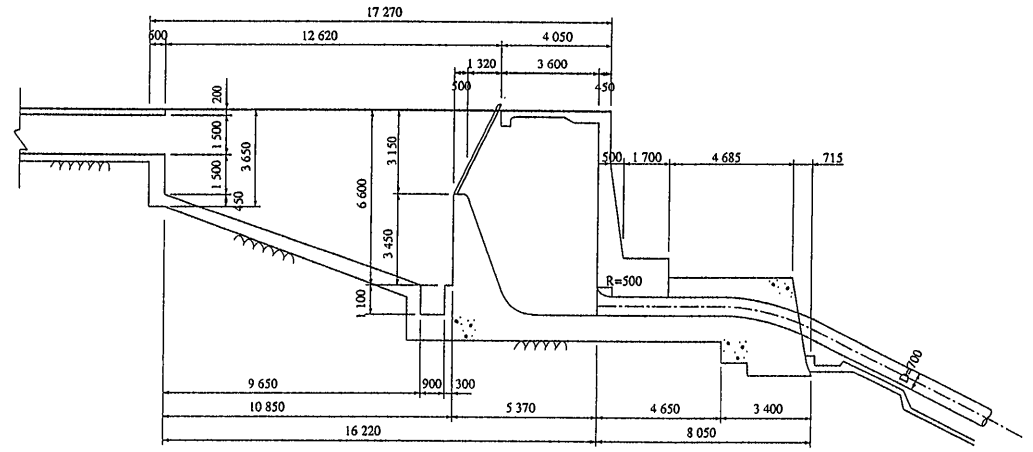
Section A-A
Scale A



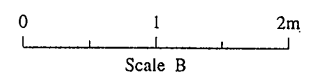
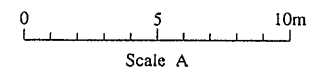
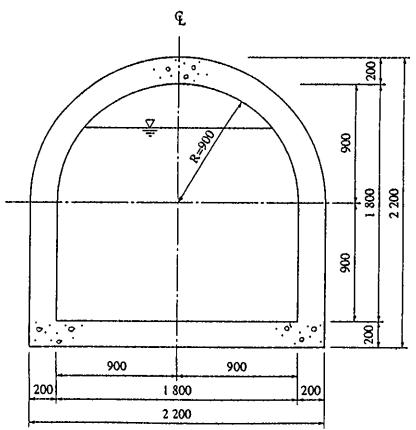
Head Tank
Scale A



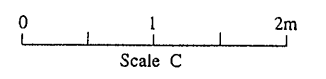
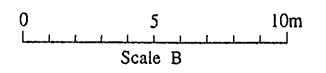
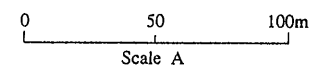
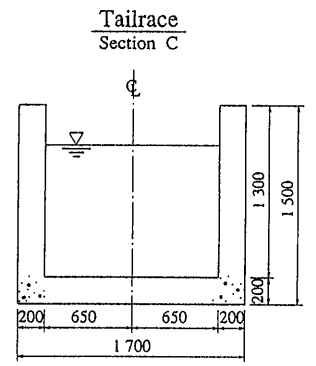
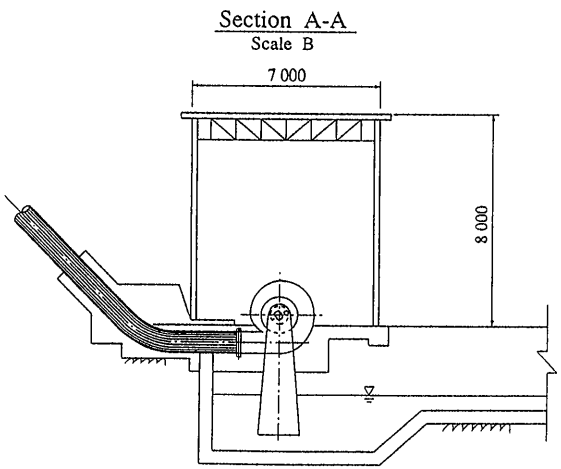
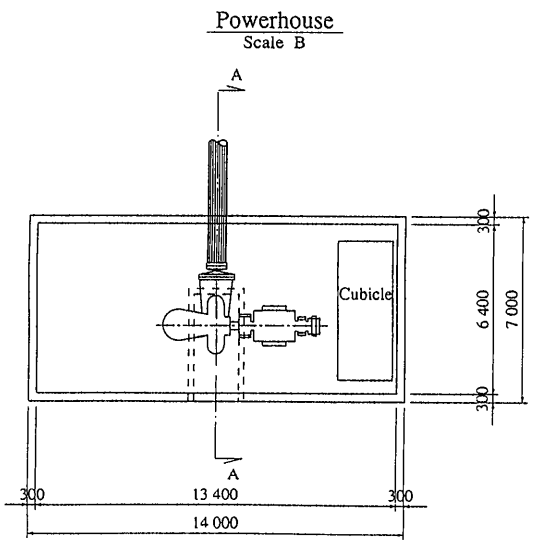
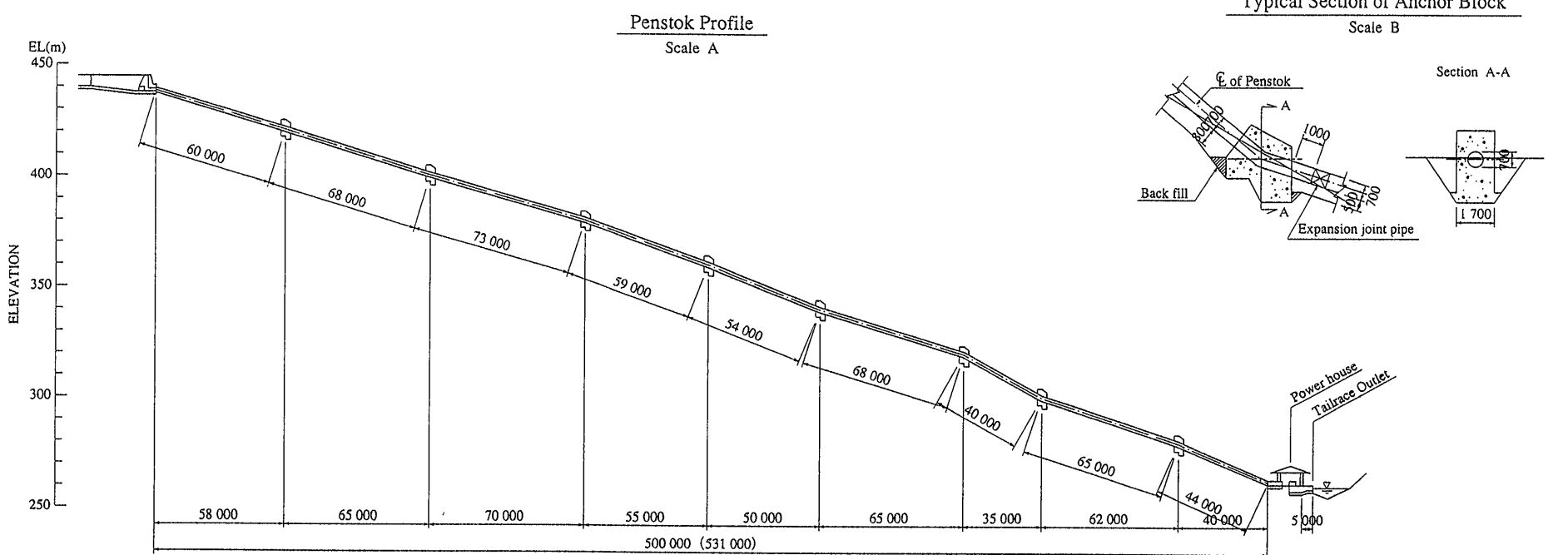
Section A-A
Scale A



Headrace
Scale B



MINISTRY OF NATURAL RESOURCES SOLOMON ISLANDS SOLOMON ISLANDS ELECTRICITY AUTHORITY MASTER PLAN STUDY OF POWER DEVELOPMENT SOLOMON ISLANDS	
JAPAN INTERNATIONAL COOPERATION AGENCY	
Maotopuku I Hydropower Project Sand Trap, Headrace, and Head Tank	Fig. 5-7-2 (3)



Note
 1. Elevation indicated is approximate only.
 2. Figure in "()" shows slope distance.

MINISTRY OF NATURAL RESOURCES SOLOMON ISLANDS SOLOMON ISLANDS ELECTRICITY AUTHORITY MASTER PLAN STUDY OF POWER DEVELOPMENT SOLOMON ISLANDS	
JAPAN INTERNATIONAL COOPERATION AGENCY	
Maotapuku I Hydropower Project Penstock, Powerhouse and Tailrace	Fig. 5-7-2 (4)

Station: Honiara

Island : Guadalcanal

Data : 1954-1974, 1979-1997

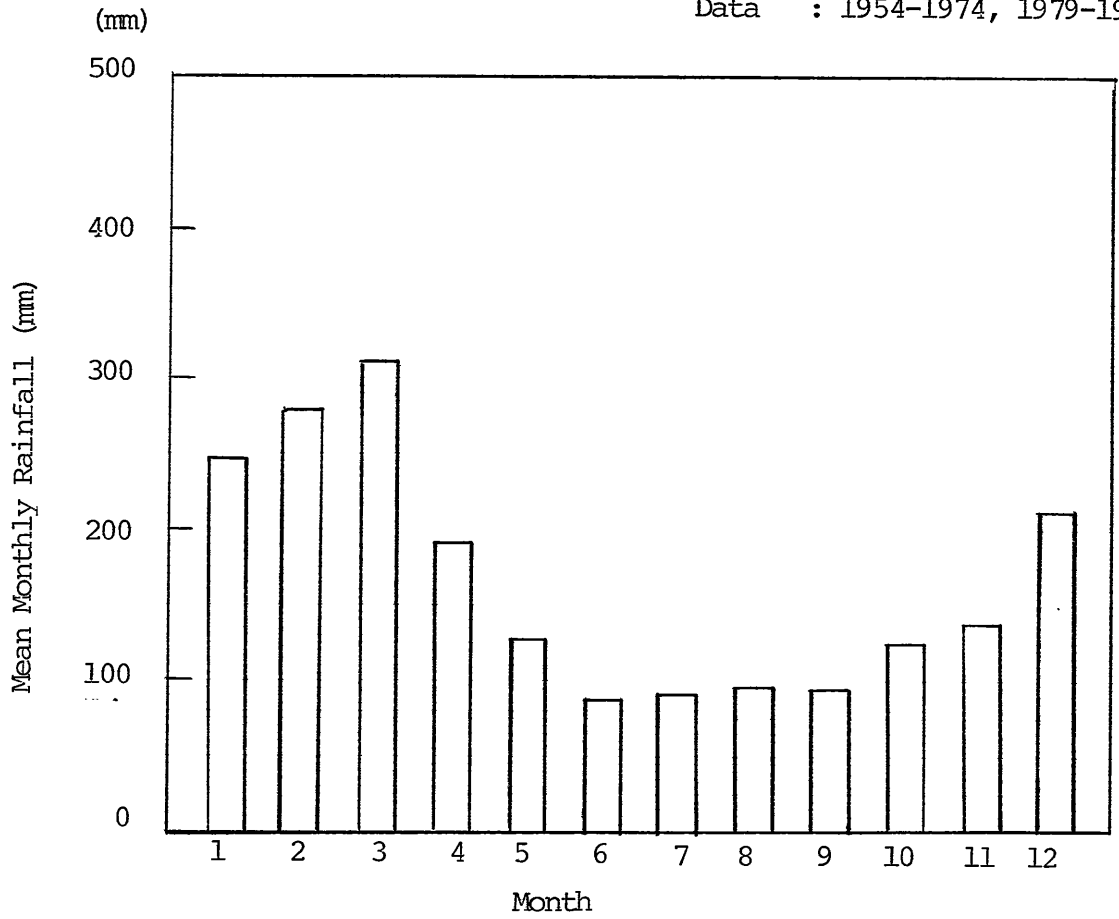
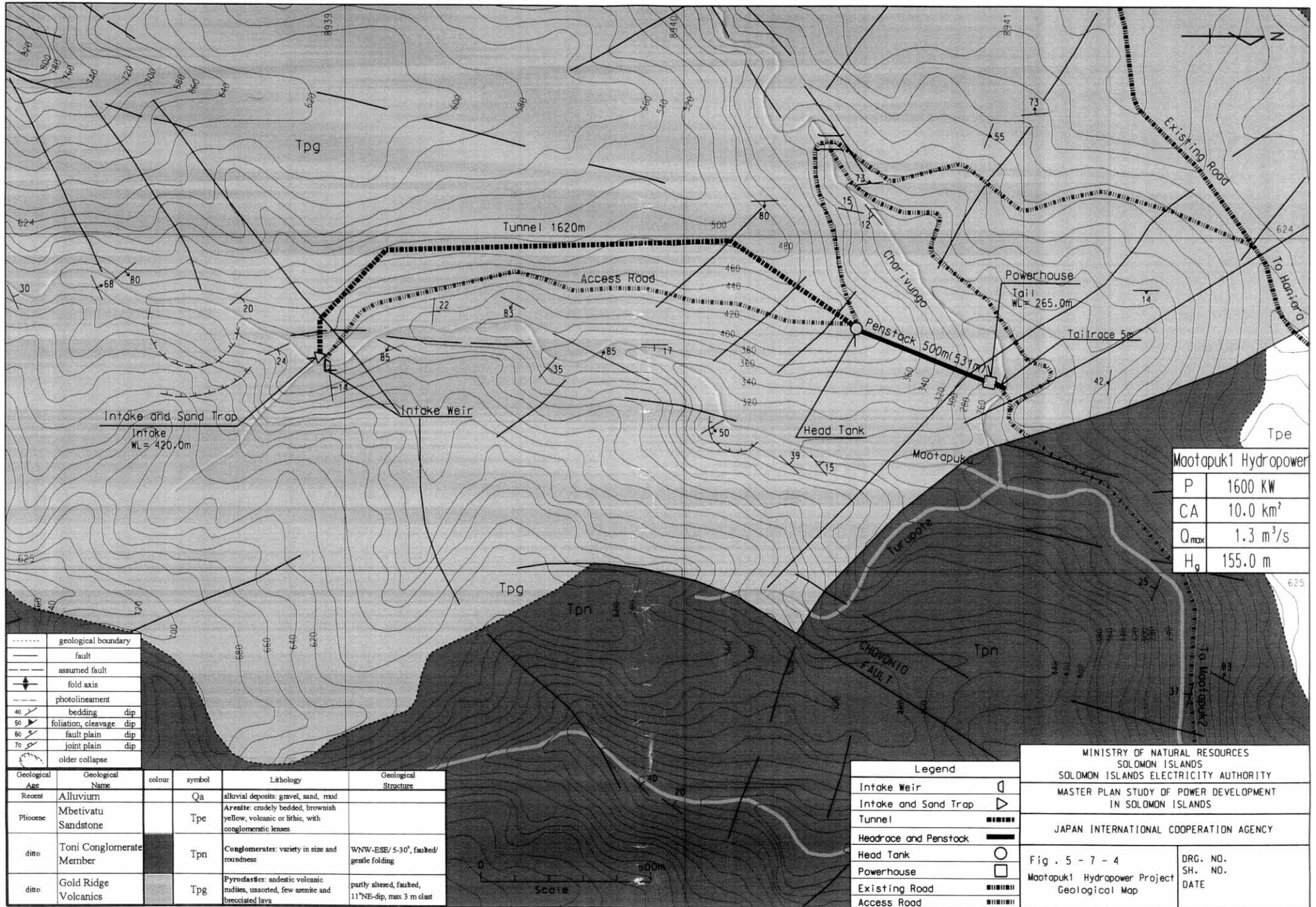


Fig. 5-7- 3 Mean Monthly Rainfall in Honiara



-----	geological boundary
---	fault
- - -	assumed fault
↕	fold axis
----	photolineament
↘	bedding dip
↙	foliation, cleavage dip
↗	fault plain dip
↖	joint plain dip
⊖	older collapse

Geological Age	Geological Name	colour	symbol	Lithology	Geological Structure
Recent	Alluvium		Qa	alluvial deposits: gravel, sand, mud	
Pliocene	Mbetivatu Sandstone		Tpe	Arenite: crudely bedded, brownish yellow, volcanic or lithic, with conglomeratic lenses	
ditto	Toni Conglomerate Member		Tpn	Conglomerates: variety in size and roundness	WNW-ESE/ 5-30°, faulted/ gentle folding
ditto	Gold Ridge Volcanics		Tpg	Pyroclastics: andesitic volcanic nodules, unsorted, few arenite and brecciated lava	partly altered, faulted, 11°NE-dip, max 3 m cleft

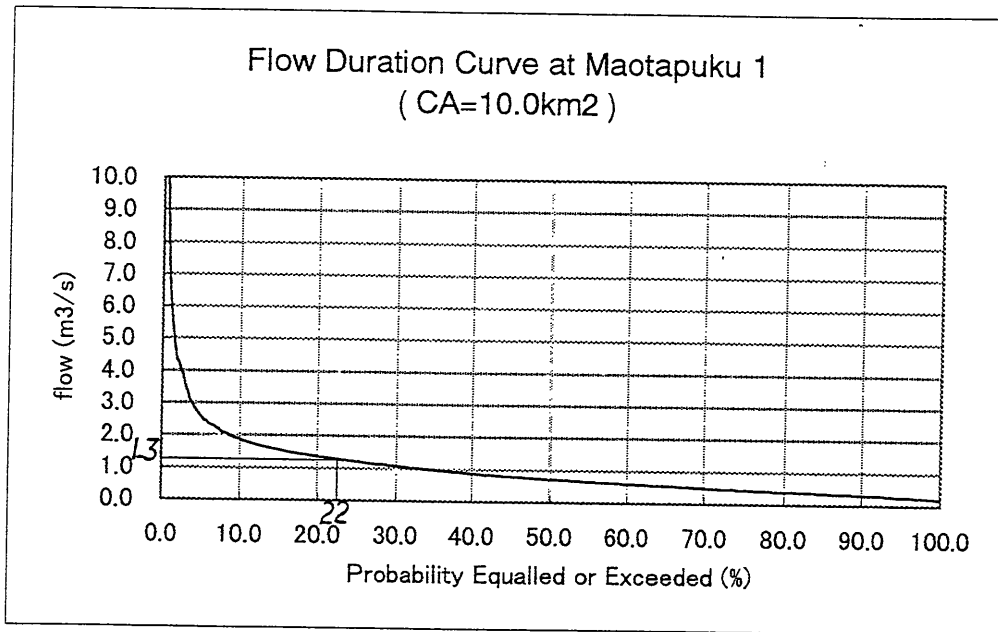
Mootapuk1 Hydropower	
P	1600 KW
CA	10.0 km ²
Q _{max}	1.3 m ³ /s
H _g	155.0 m

Legend	
Intake Weir	⊏
Intake and Sand Trap	▷
Tunnel	▬▬▬▬
Headrace and Penstock	▬
Head Tank	○
Powerhouse	□
Existing Road	▬▬▬▬▬▬
Access Road	▬▬▬▬▬▬▬▬

MINISTRY OF NATURAL RESOURCES
 SOLOMON ISLANDS
 SOLOMON ISLANDS ELECTRICITY AUTHORITY
 MASTER PLAN STUDY OF POWER DEVELOPMENT
 IN SOLOMON ISLANDS
 JAPAN INTERNATIONAL COOPERATION AGENCY

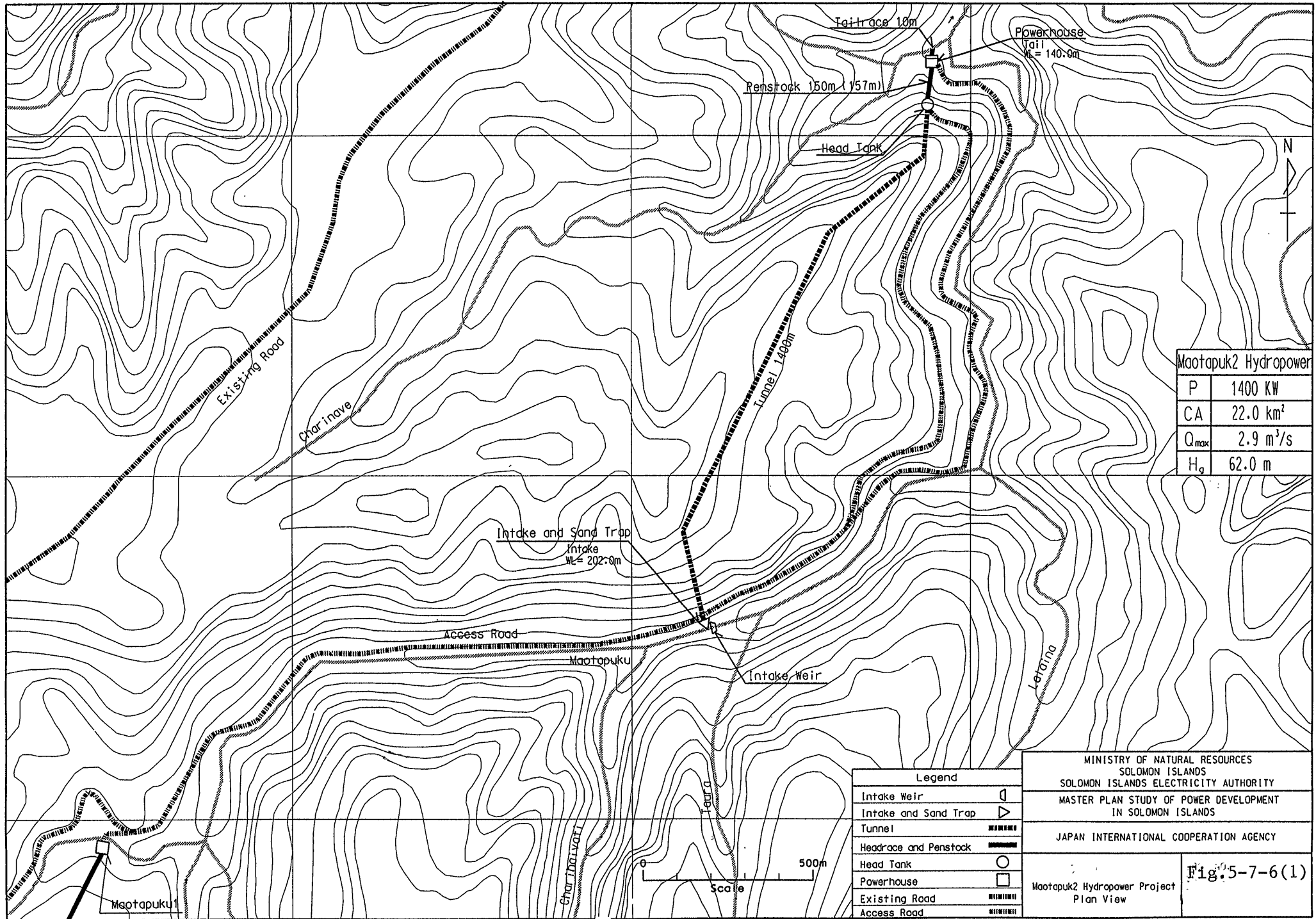
Fig. 5 - 7 - 4
 Mootapuk1 Hydropower Project
 Geological Map

DRG. NO.
 SH. NO.
 DATE



Station: Lungga Bridge, Guadalcanal, CA=377km²
 Data: 1966-'68, '71, '77-'79, '86-'89, '96
 Maximum discharge=1.3m³/s, FUF=0.6
 Sources: Ministry of Natural Resources

Fig.5-7-5. Flow Duration Curve at Maotapuku 1



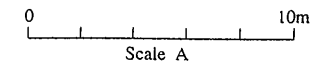
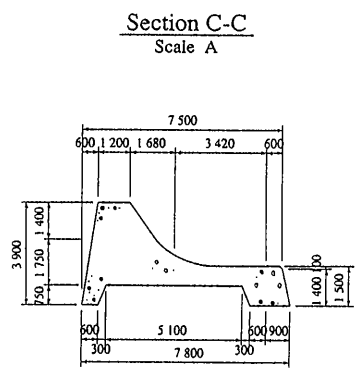
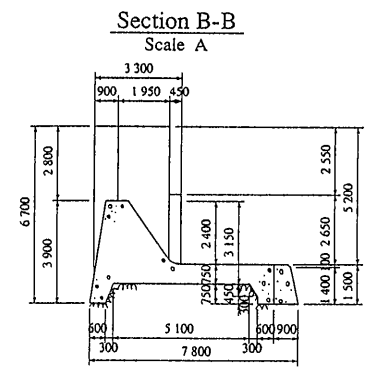
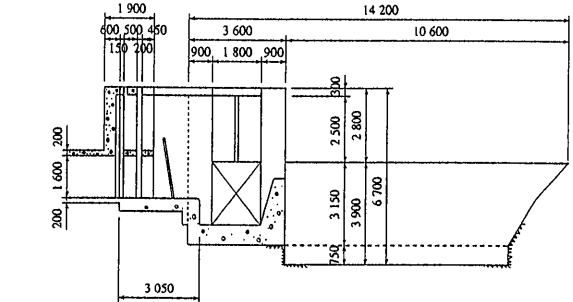
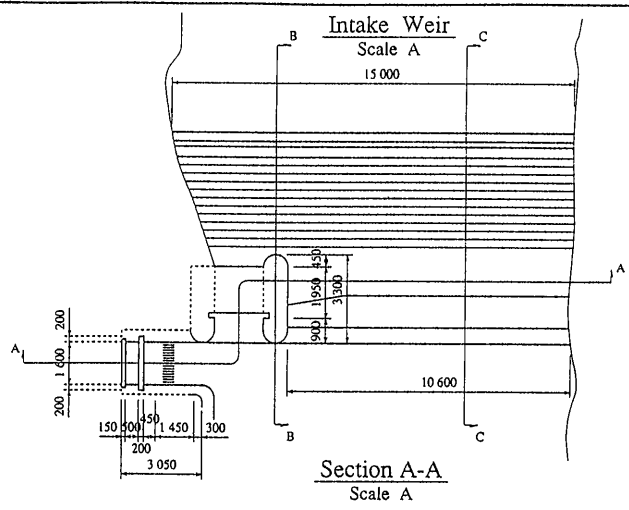
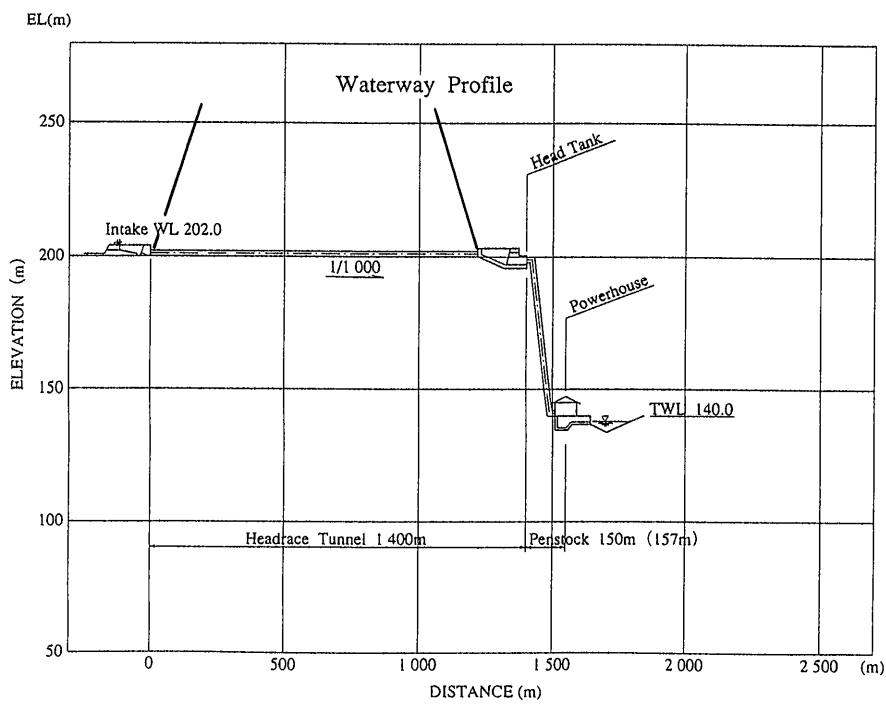
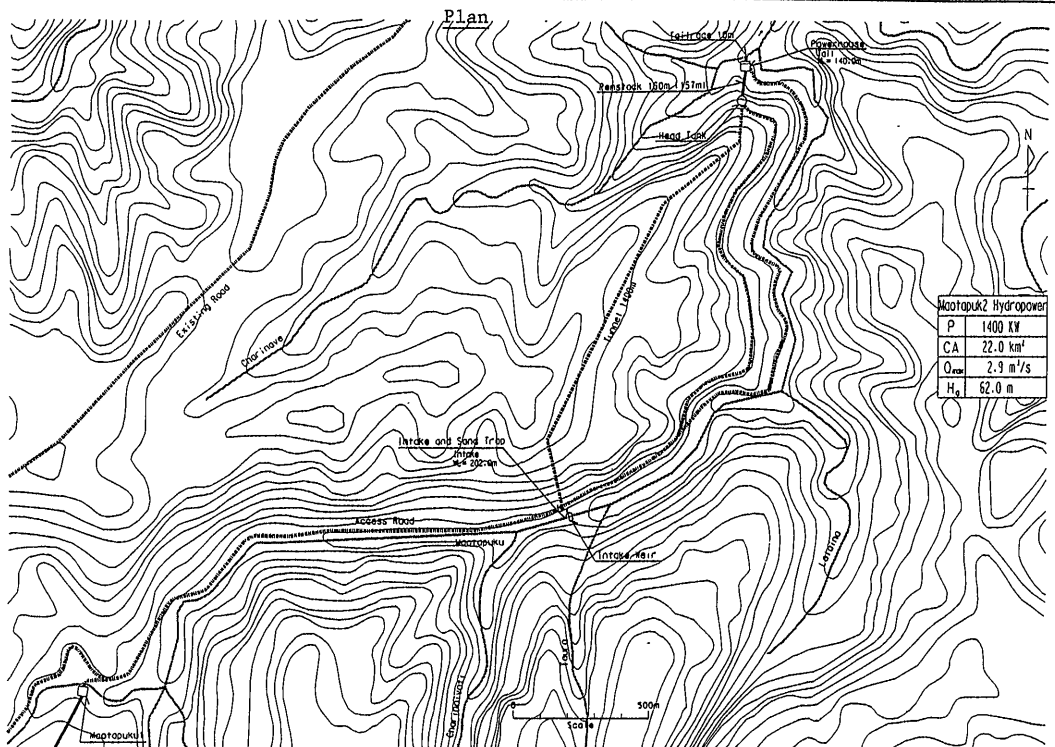
MINISTRY OF NATURAL RESOURCES
SOLOMON ISLANDS
SOLOMON ISLANDS ELECTRICITY AUTHORITY
MASTER PLAN STUDY OF POWER DEVELOPMENT
IN SOLOMON ISLANDS
JAPAN INTERNATIONAL COOPERATION AGENCY

Maotapuk2 Hydropower Project
Plan View

Fig: 5-7-6(1)

Legend	
Intake Weir	⊥
Intake and Sand Trap	▷
Tunnel	—●—●—●—
Headrace and Penstock	—●—●—●—
Head Tank	○
Powerhouse	□
Existing Road	—●—●—●—
Access Road	—●—●—●—

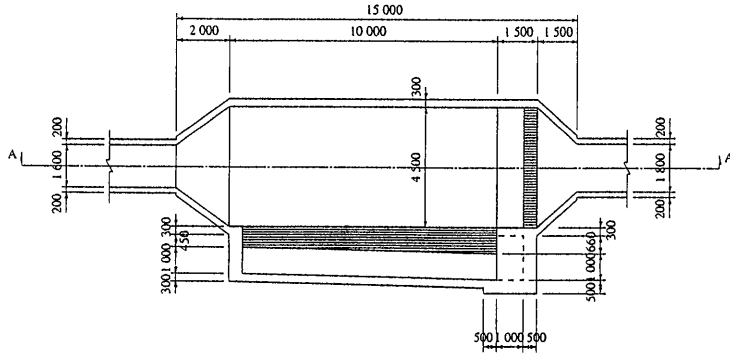




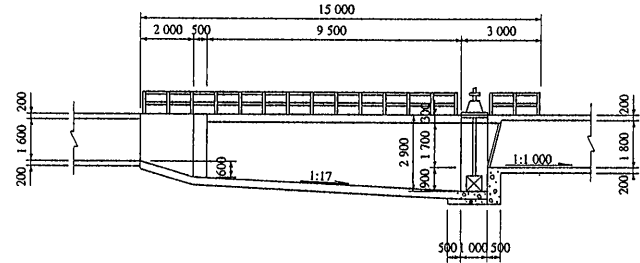
Note
 1. Elevation indicated is approximate only.
 2. Figure in "()" shows slope distance.

MINISTRY OF NATURAL RESOURCES SOLOMON ISLANDS SOLOMON ISLANDS ELECTRICITY AUTHORITY	
MASTER PLAN STUDY OF POWER DEVELOPMENT SOLOMON ISLANDS	
JAPAN INTERNATIONAL COOPERATION AGENCY	
Maotopuku2 Hydropower Project	Fig. 5-7-6(2)
Plan View, Intake	

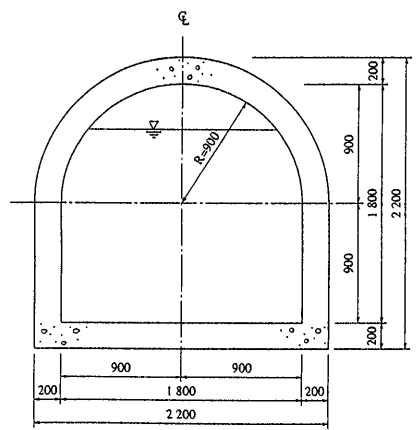
Sand Trap
Scale A



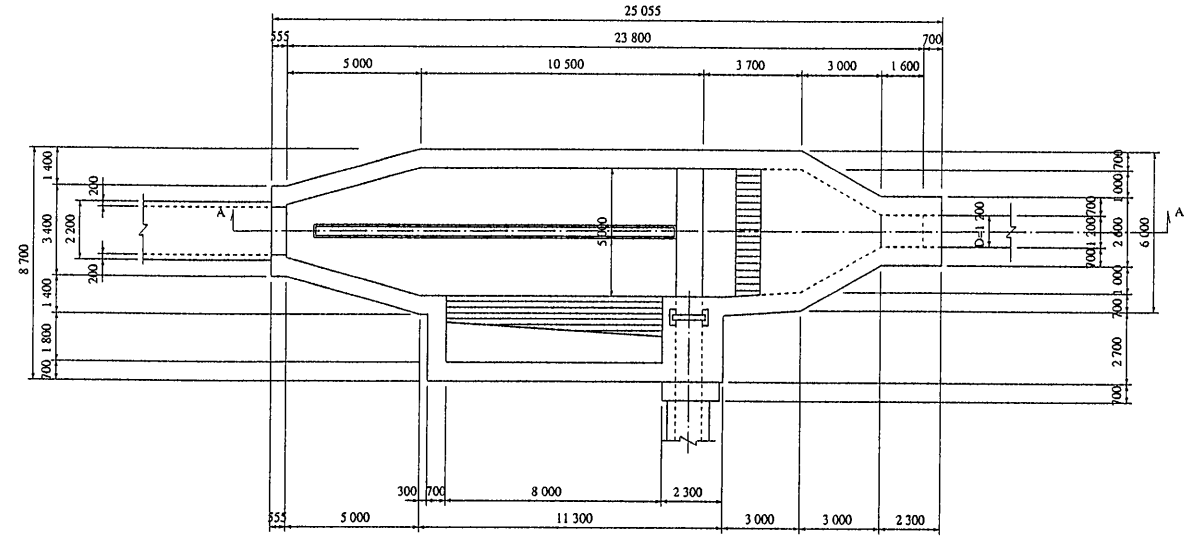
Section A-A
Scale A



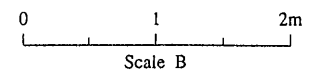
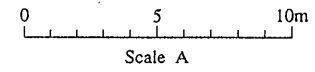
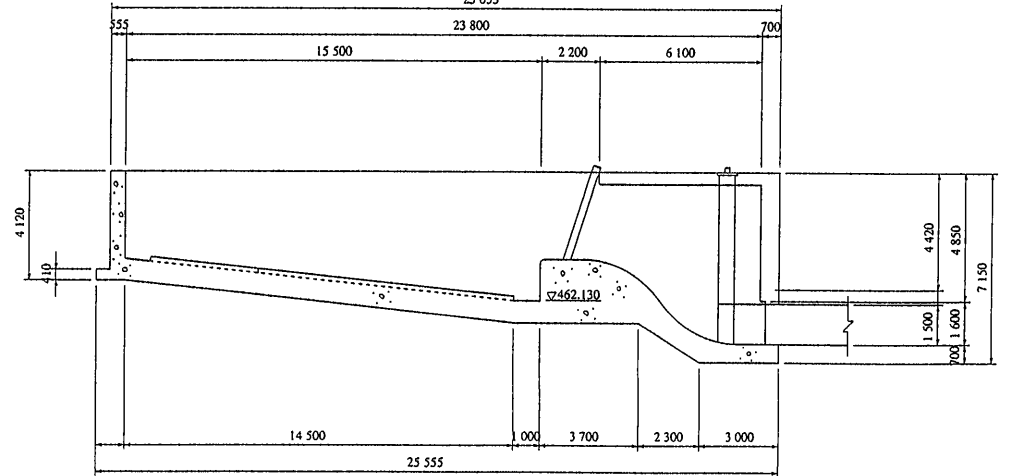
Headrace
Scale B



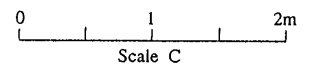
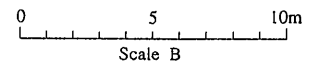
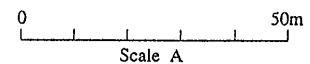
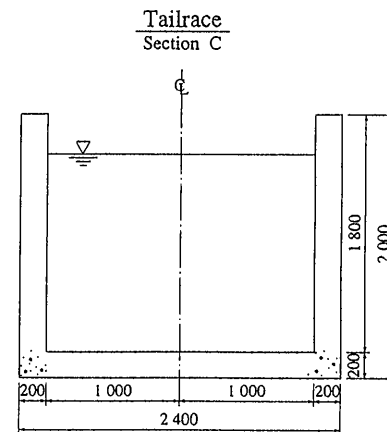
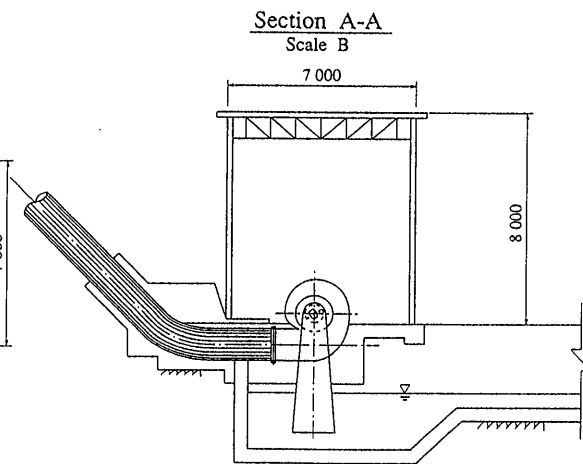
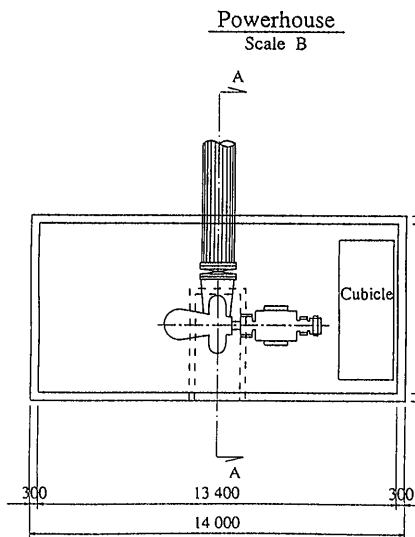
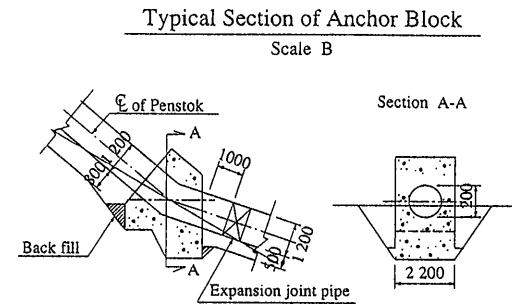
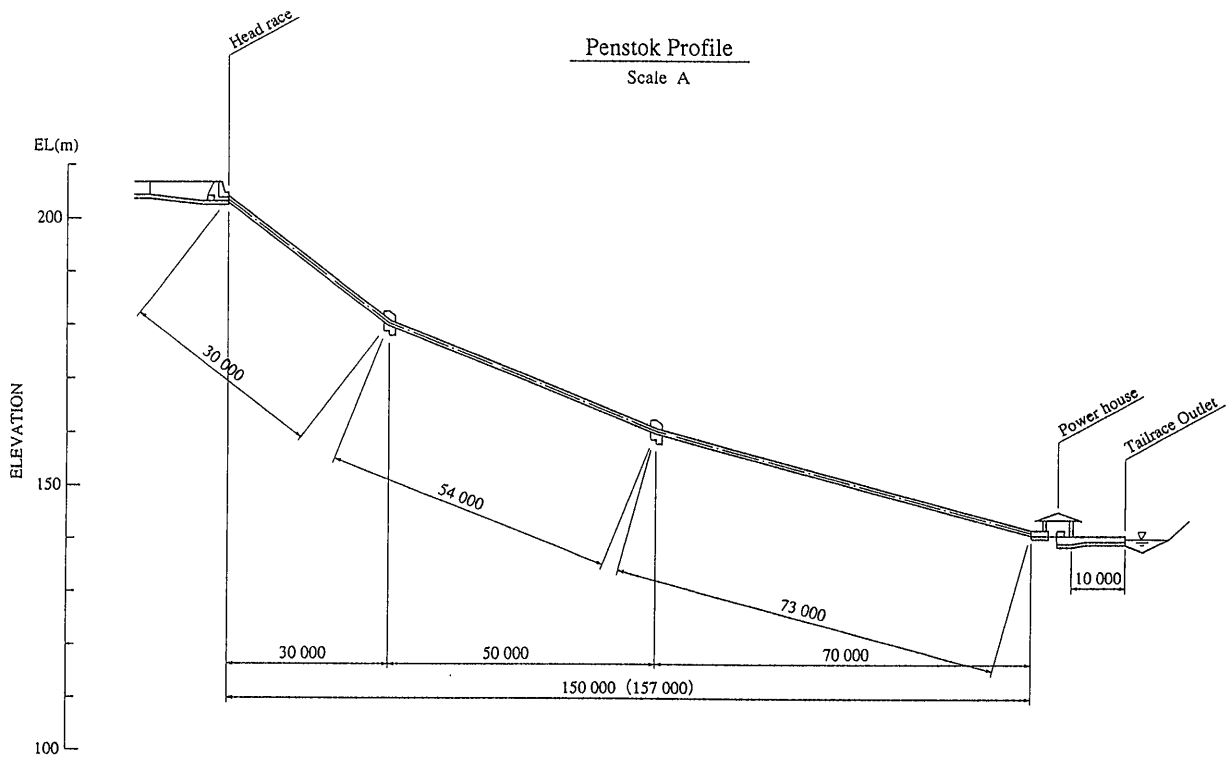
Head Tank
Scale A



Section A-A
Scale A

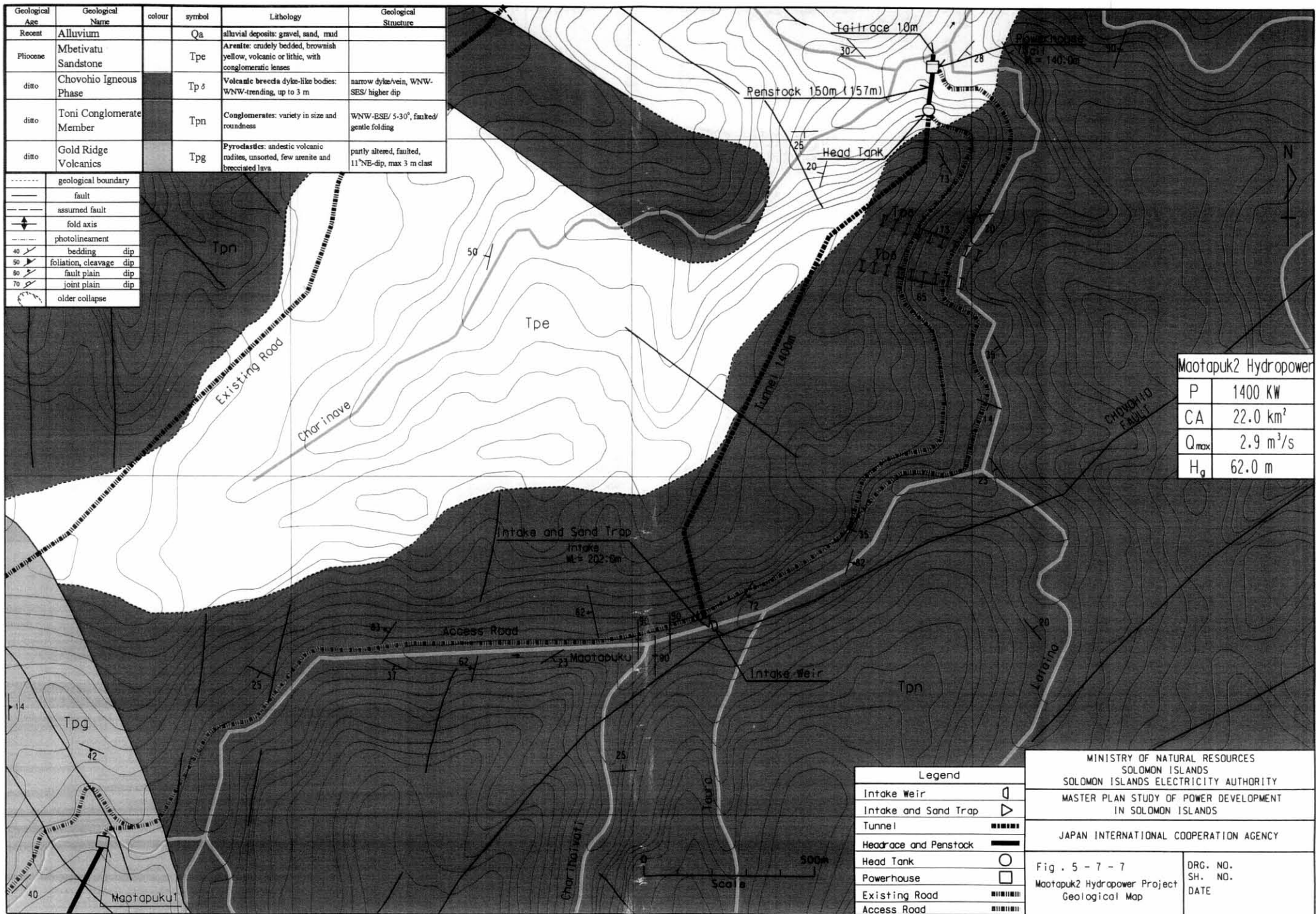


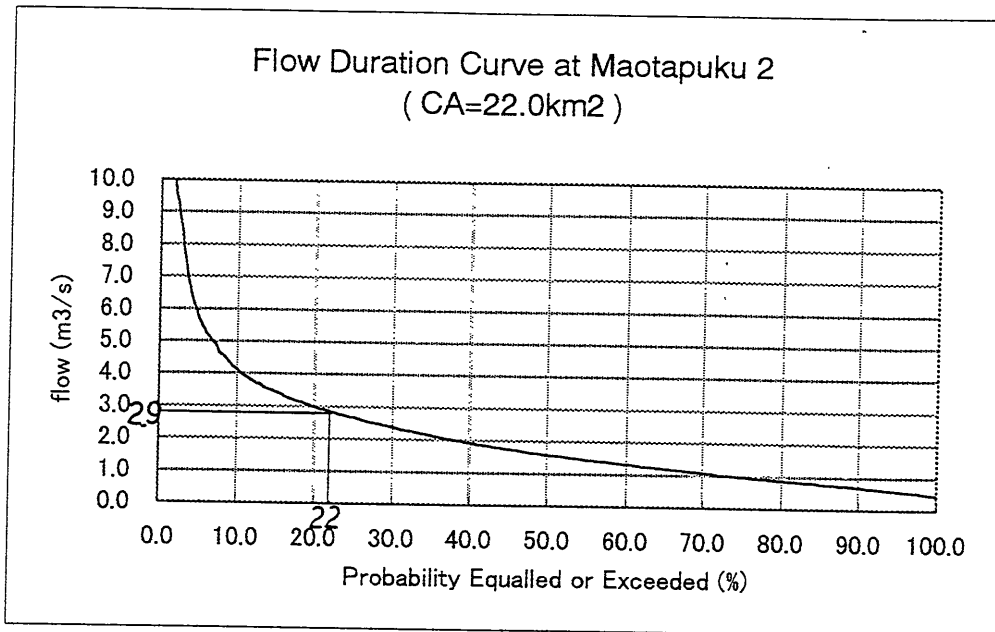
MINISTRY OF NATURAL RESOURCES SOLOMON ISLANDS SOLOMON ISLANDS ELECTRICITY AUTHORITY	
MASTER PLAN STUDY OF POWER DEVELOPMENT SOLOMON ISLANDS	
JAPAN INTERNATIONAL COOPERATION AGENCY	
Maotopuku2 Hydropower Project	Fig.5-7-6(3)
Sand Trap, Headrace, and Head Tank	



Note
 1. Elevation indicated is approximate only.
 2. Figure in "()" shows slope distance.

MINISTRY OF NATURAL RESOURCES SOLOMON ISLANDS SOLOMON ISLANDS ELECTRICITY AUTHORITY MASTER PLAN STUDY OF POWER DEVELOPMENT SOLOMON ISLANDS	
JAPAN INTERNATIONAL COOPERATION AGENCY	
Maotapuku2 Hydropower Project Penstock, Powerhouse and Tailrace	Fig.5-7-6(4)





Station: Lungga Bridge, Guadalcanal, CA=377km²
 Data: 1966-'68, '71, '77-'79, '86-'89, '96
 Maximum discharge=2.9m³/s, FUF=0.6
 Sources: Ministry of Natural Resouces

Fig.5-7-8. Flow Duration Curve at Maotapuku 2

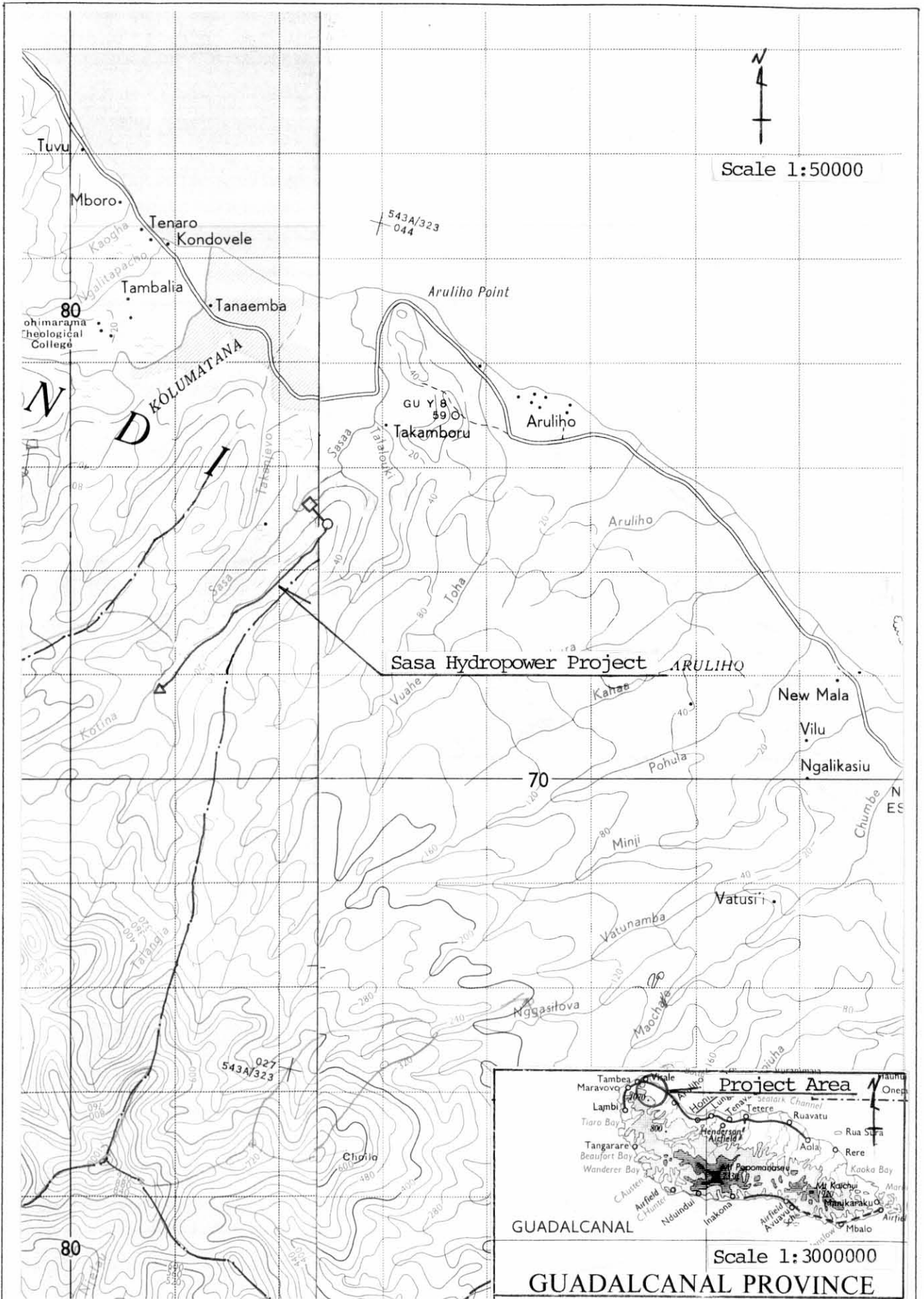
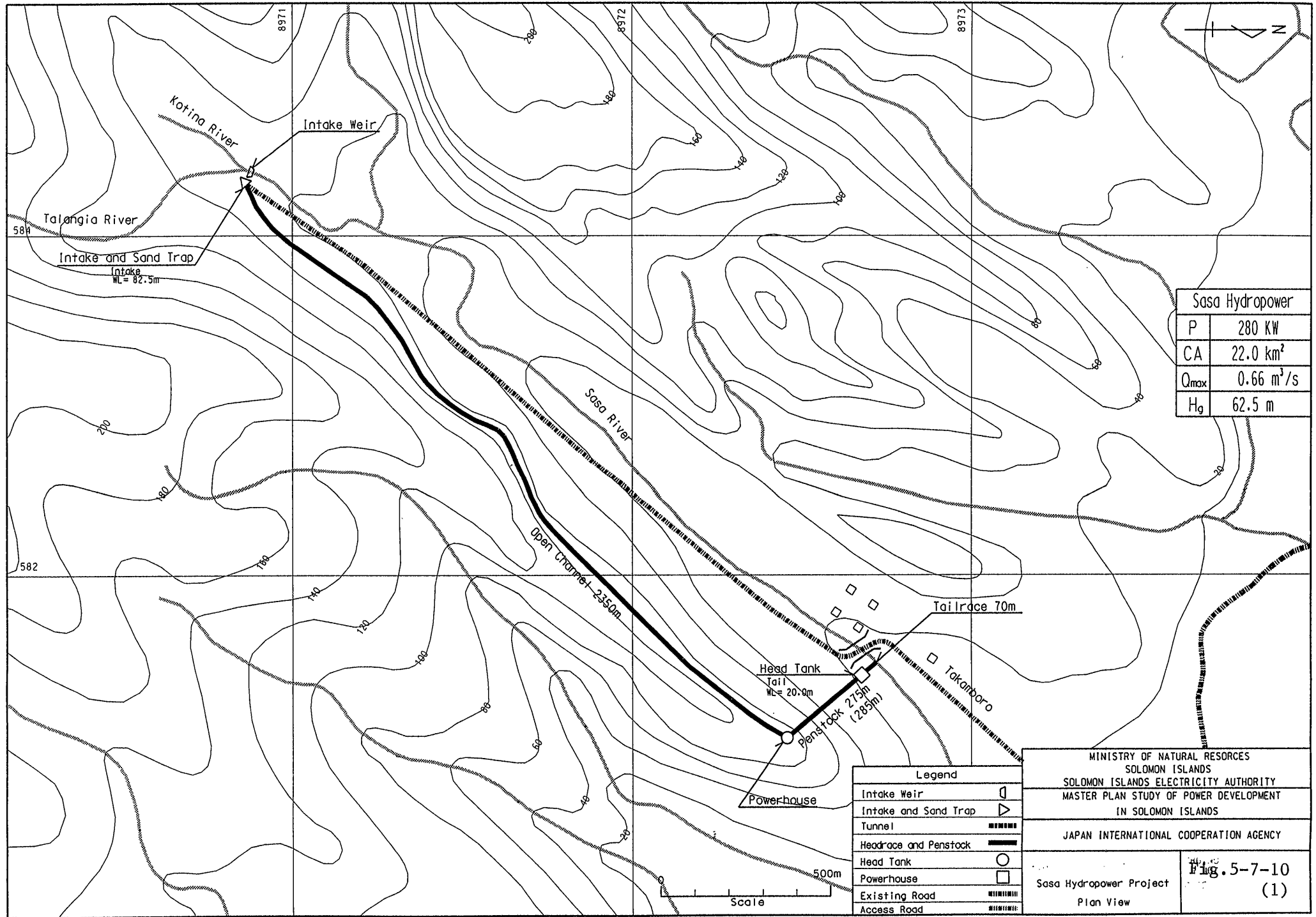


Fig. 5-7-9 Location Map of Sasa Hydropower



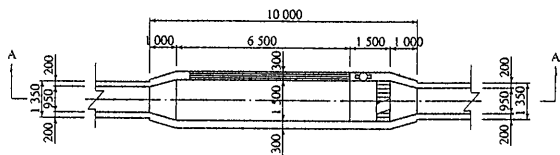
MINISTRY OF NATURAL RESOURCES
 SOLOMON ISLANDS
 SOLOMON ISLANDS ELECTRICITY AUTHORITY
 MASTER PLAN STUDY OF POWER DEVELOPMENT
 IN SOLOMON ISLANDS

JAPAN INTERNATIONAL COOPERATION AGENCY

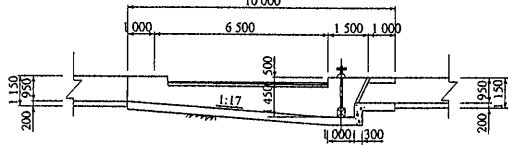
Sasa Hydropower Project
 Plan View

Fig. 5-7-10
 (1)

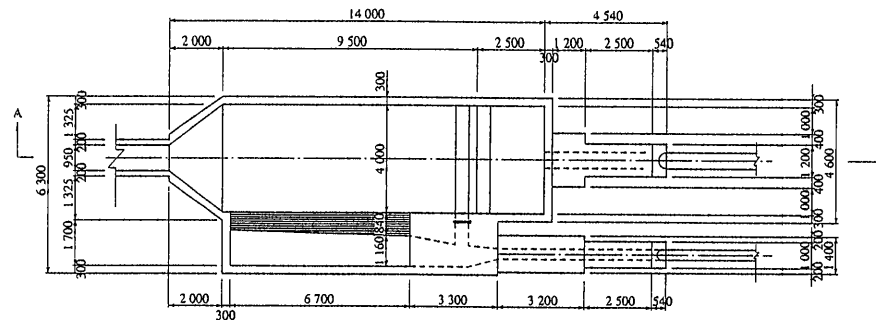
Sand Trap
Scale A



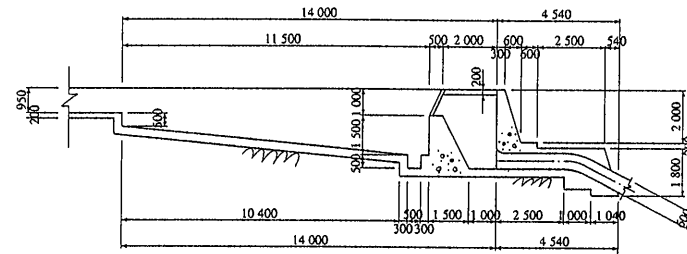
Section A-A
Scale A



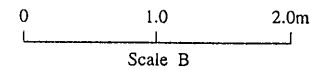
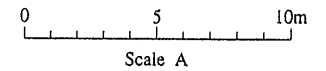
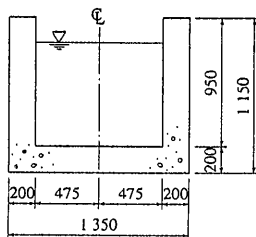
Head Tank
Scale A



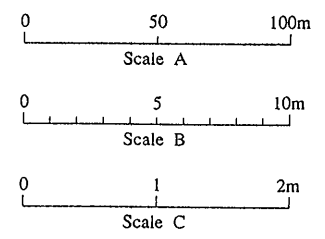
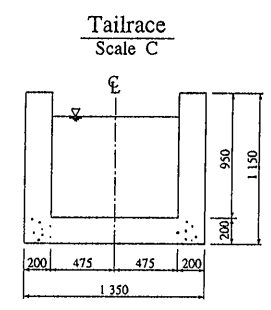
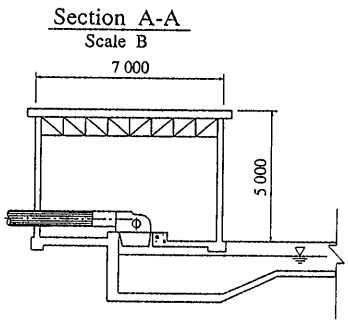
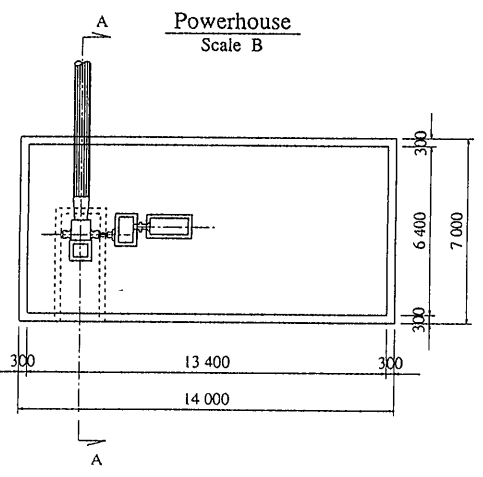
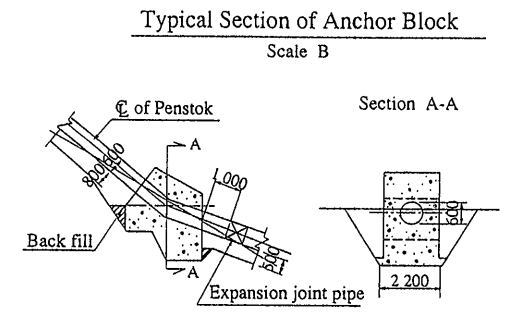
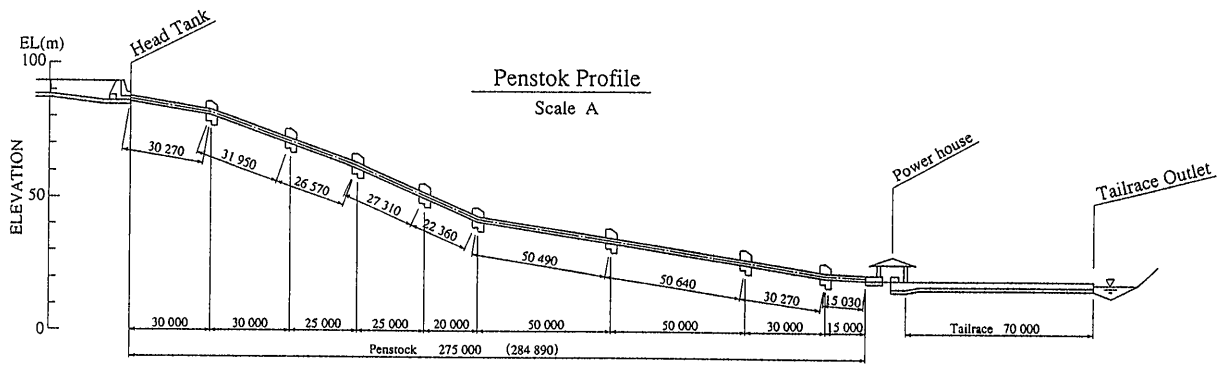
Section A-A
Scale A



Headrace
Scale B



MINISTRY OF NATURAL RESOURCES SOLOMON ISLANDS SOLOMON ISLANDS ELECTRICITY AUTHORITY	
MASTER PLAN STUDY OF POWER DEVELOPMENT SOLOMON ISLANDS	
JAPAN INTERNATIONAL COOPERATION AGENCY	
Sasa Hydropower Project Sand Trap, Headrace, and Head Tank	Fig. 5-7-10 (3)



MINISTRY OF NATURAL RESOURCES
SOLOMON ISLANDS
SOLOMON ISLANDS ELECTRICITY AUTHORITY
MASTER PLAN STUDY OF POWER DEVELOPMENT
SOLOMON ISLANDS

JAPAN INTERNATIONAL COOPERATION AGENCY

Sasa Hydropower Project
Penstock, Powerhouse and Tailrace

Fig.5-7-10
(4)

Note
1. Elevation indicated is approximate only.
2. Figure in "()" shows slope distance.