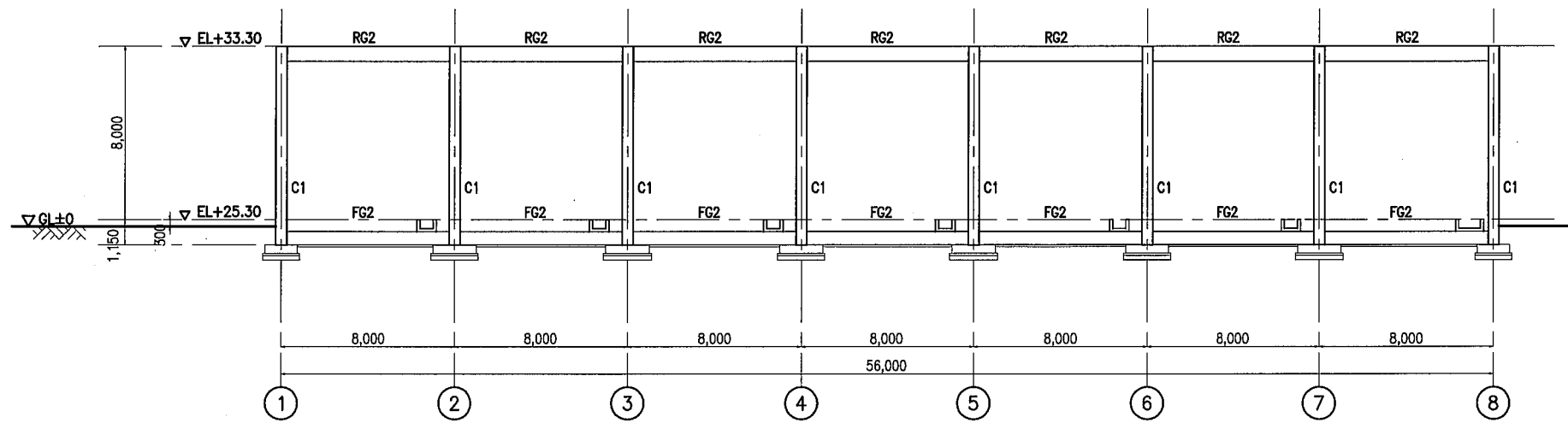
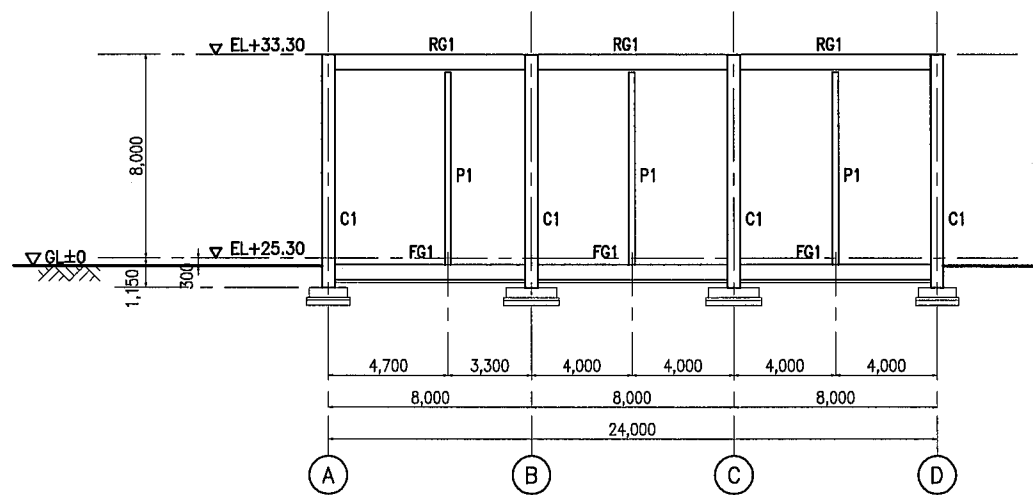


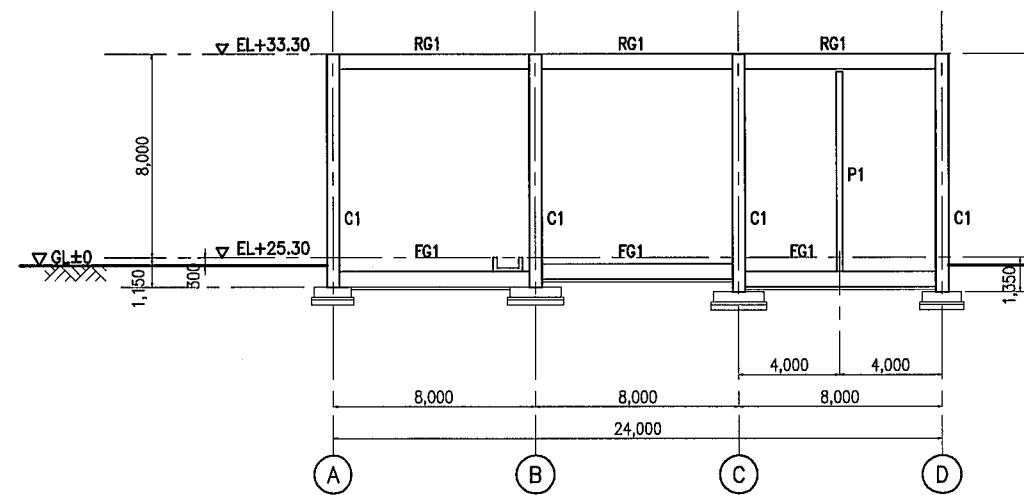
Ⓐ LINE FRAMING ELEVATION



Ⓑ LINE FRAMING ELEVATION



① LINE FRAMING ELEVATION



⑦ LINE FRAMING ELEVATION



THE ARAB REPUBLIC OF EGYPT MINISTRY OF WATER RESOURCES AND IRRIGATION NORTH SINAI DEVELOPMENT ORGANIZATION THE NORTH SINAI INTEGRATED RURAL DEVELOPMENT PROJECT (PHASE III)	
CONVEYANCE SYSTEM OF EL SHEIKH GABER EL SABBAH CANAL MAIN POWER SUBSTATION (FOR EL SALAAM No. 7 P.S.)	
MAIN SUBSTATION FRAMING ELEVATION	
JAPAN INTERNATIONAL COOPERATION AGENCY (JICA) SANYU CONSULTANTS INC, PACIFIC CONSULTANTS INTERNATIONAL	
DESIGNED	
TRACED	
CHECKED	
APPROVED	
DRAWING NO.	SBW-416

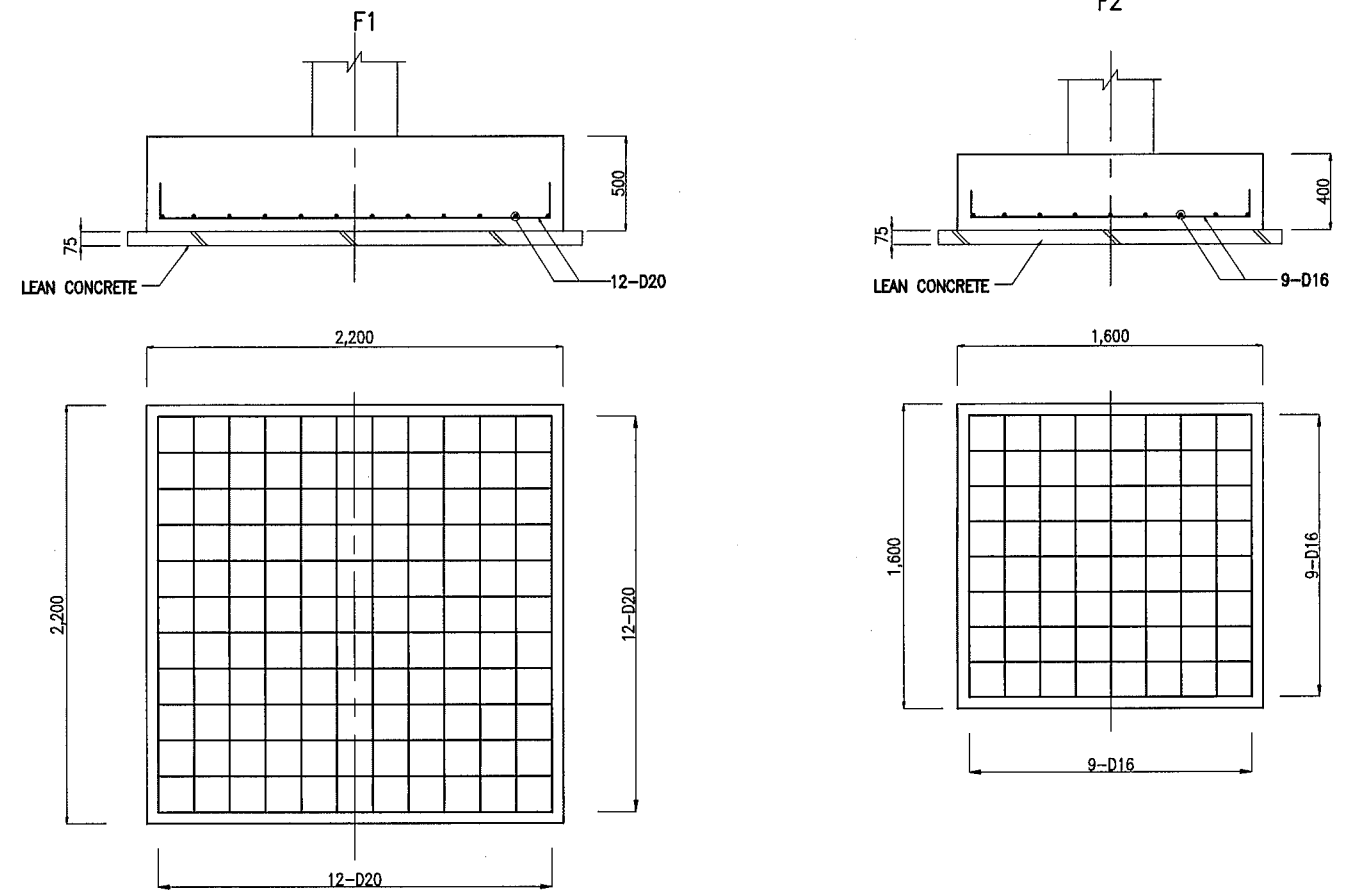
ROOF GIRDER / BEAM LIST SCALE 1:40

MARK	RG1			RG1A			RG2		RG2A		
	BOTH END	CENTER		OUTER END	CENTER	INNER END	BOTH END	CENTER	OUTER END	CENTER	INNER END
SECTION											
STIRRUP	□ D10 Ø200			□ D10 Ø200			□ D10 Ø200		□ D10 Ø200		
WEB BER	2 - D10			2 - D10			2 - D10		2 - D10		

GRADE BEAM LIST SCALE 1:40

MARK	FG1		FG2	
	BOTH END	CENTER	BOTH END	CENTER
SECTION				
STIRRUP	□ D10 Ø200		□ D10 Ø200	
WEB BER	2 - D10		2 - D10	

FOUNDATION LIST SCALE 1:40



COLUMN LIST SCALE 1:40

MARK	C1	P1
SECTION		
MAIN BAR	8-D22	4-D22
HOOP	□ D10 Ø150	□ D10 Ø200
CROSS TIE	+ D10 Ø300	-

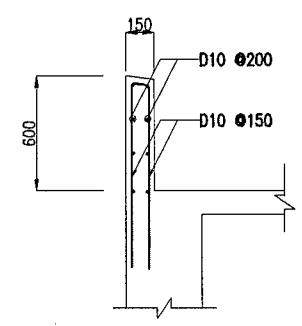
BEAM LIST SCALE 1:40

MARK	B1	
POSITION	BOTH END	CENTER
SECTION		
STIRRUP	□ D10 Ø200	
WEB BER	2-D10	

SLAB LIST SCALE 1:40

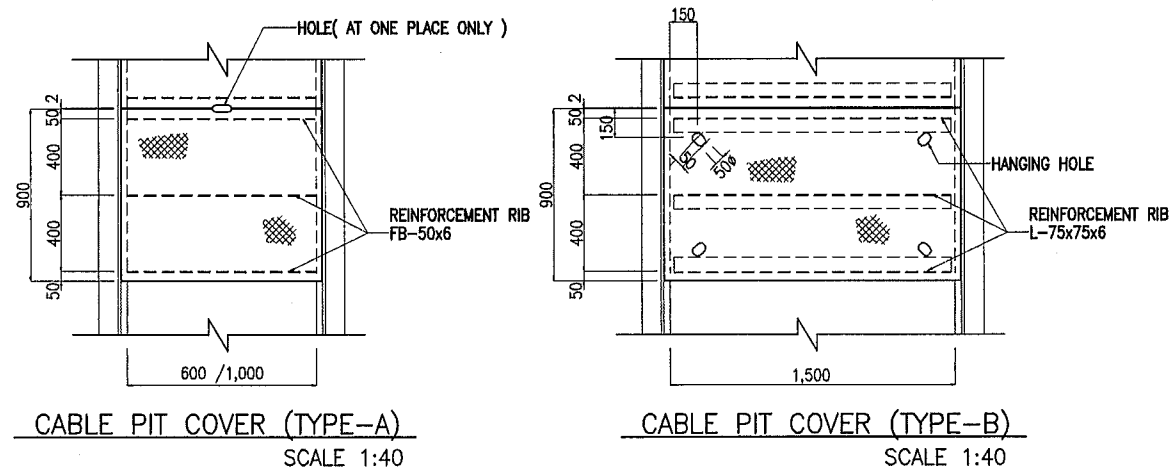
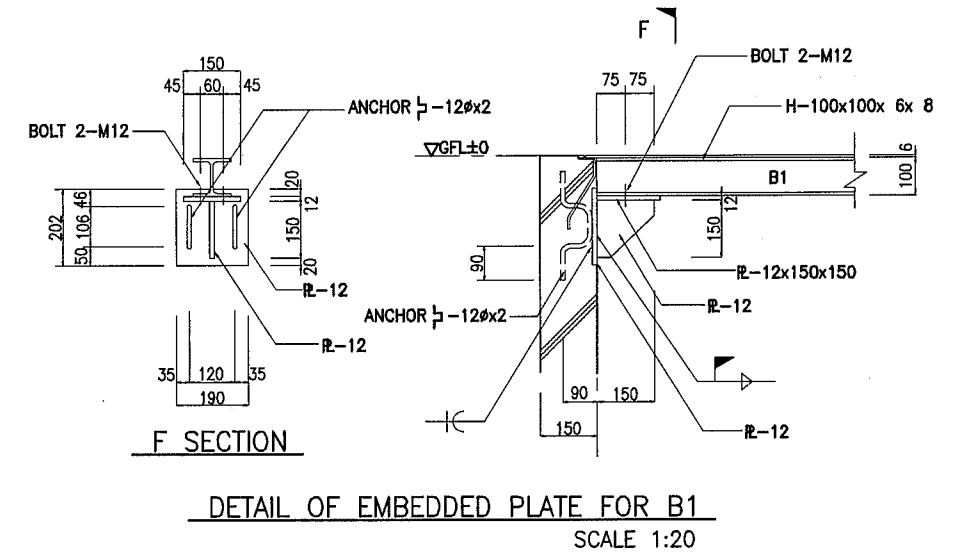
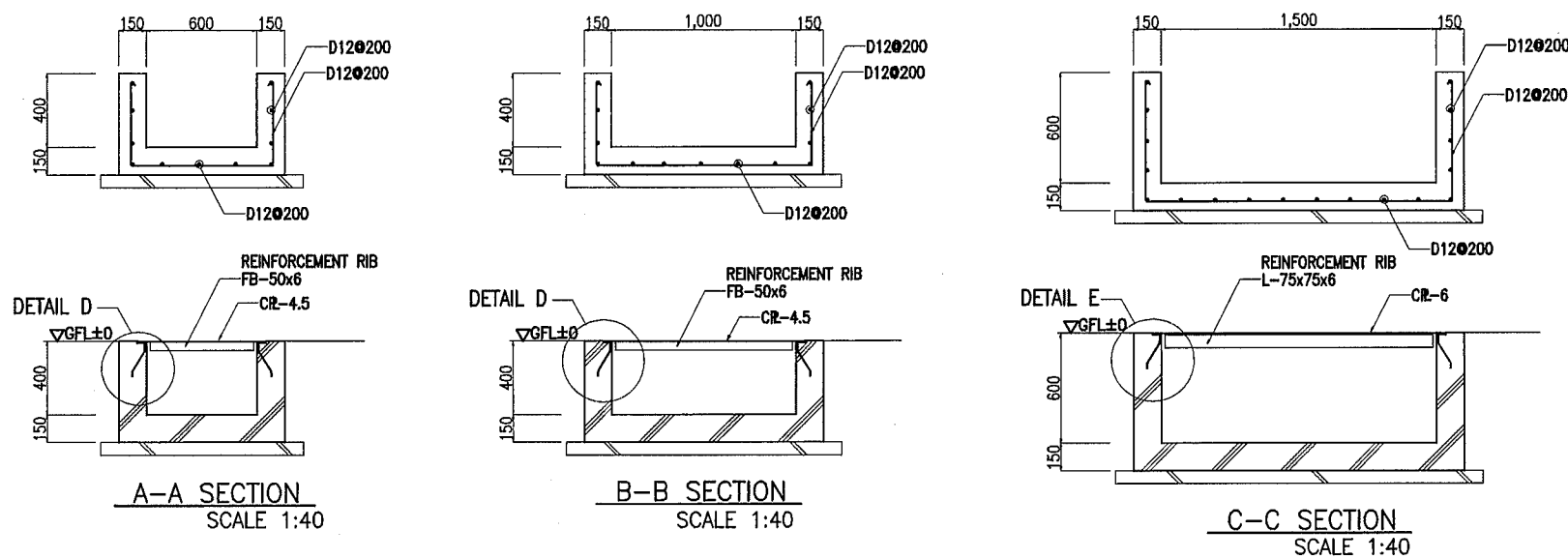
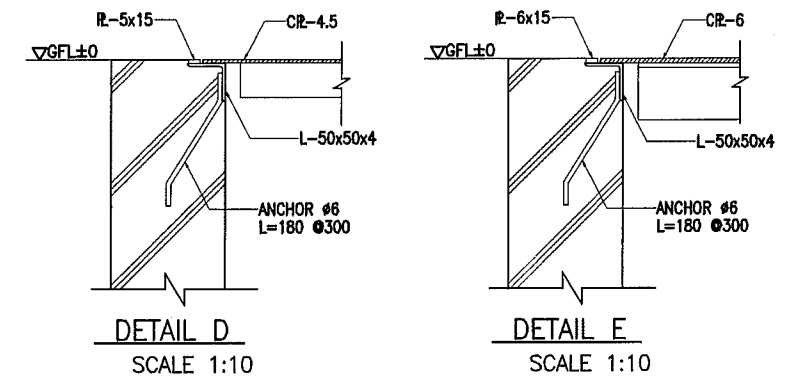
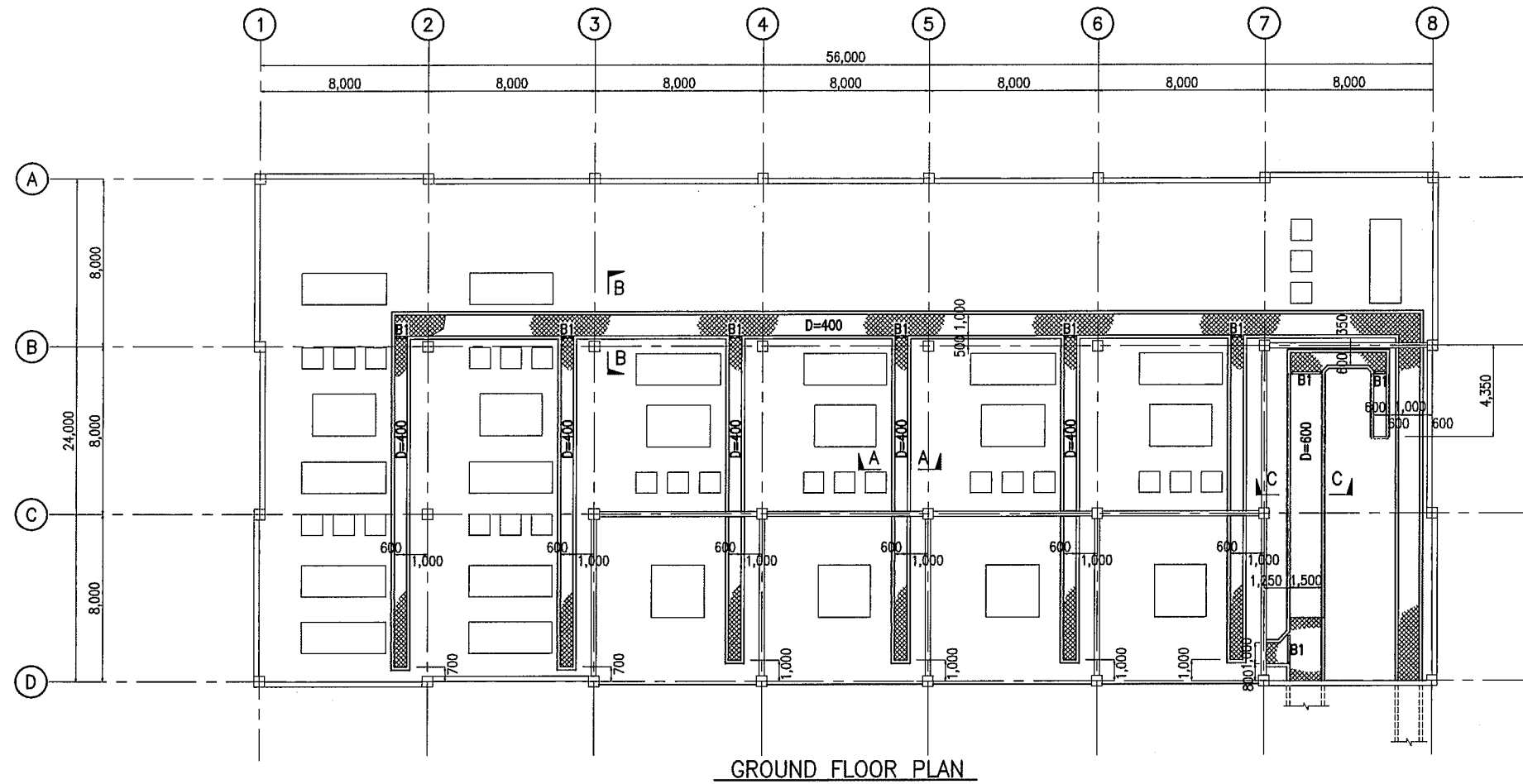
MARK	RS1	GS1
SECTION		

PARAPET

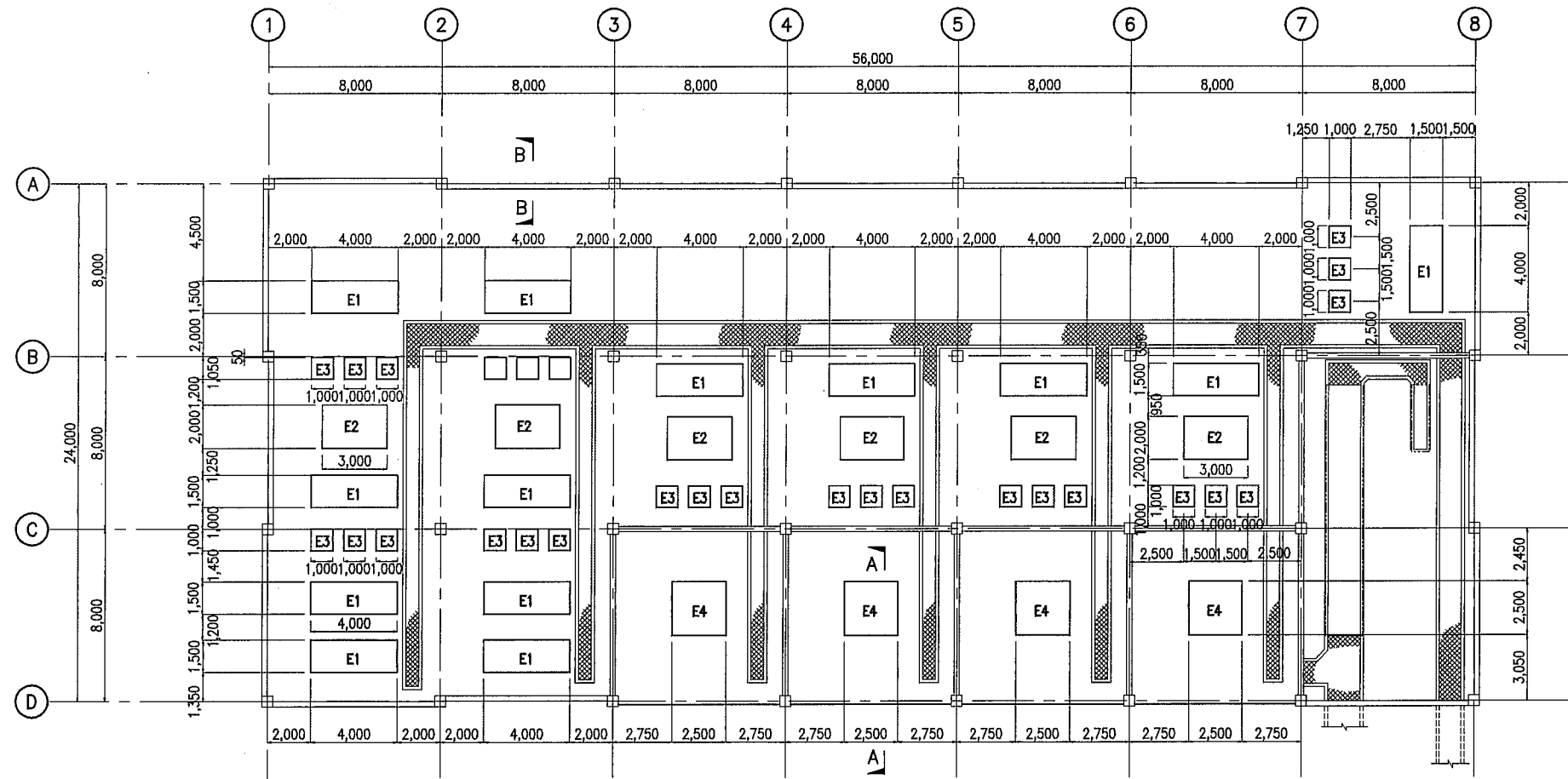


THE ARAB REPUBLIC OF EGYPT
 MINISTRY OF WATER RESOURCES AND IRRIGATION
 NORTH SINAI DEVELOPMENT ORGANIZATION
THE NORTH SINAI INTEGRATED RURAL DEVELOPMENT PROJECT (PHASE III)
 CONVEYANCE SYSTEM OF EL SHEIKH GABER EL SABBAH CANAL
 MAIN POWER SUBSTATION (FOR EL SALAAM No.7 P.S.)
MAIN SUBSTATION MEMBER SCHEDULE
 JAPAN INTERNATIONAL COOPERATION AGENCY (JICA)
 SANYU CONSULTANTS INC, PACIFIC CONSULTANTS INTERNATIONAL

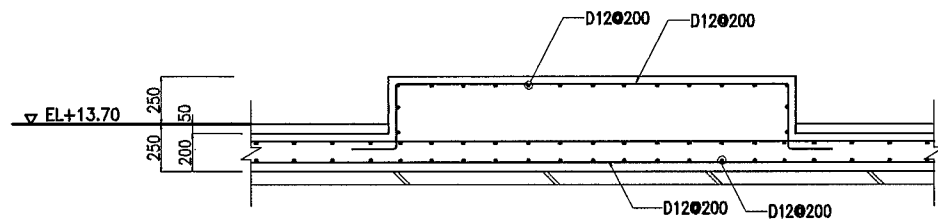
DESIGNED	
TRACED	
CHECKED	
APPROVED	
DRAWING NO.	SBN-417



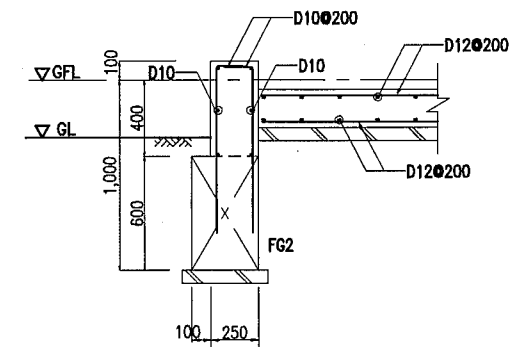
THE ARAB REPUBLIC OF EGYPT MINISTRY OF WATER RESOURCES AND IRRIGATION NORTH SINAI DEVELOPMENT ORGANIZATION THE NORTH SINAI INTEGRATED RURAL DEVELOPMENT PROJECT (PHASE III)	
CONVEYANCE SYSTEM OF EL SHEIKH GABER EL SABBABH CANAL MAIN POWER SUBSTATION (FOR EL SALAAM No.7 P.S.)	
MAIN SUBSTATION MISC. DETAIL OF GROUND FLOOR (1/2)	
JAPAN INTERNATIONAL COOPERATION AGENCY (JICA) SANYU CONSULTANTS INC, PACIFIC CONSULTANTS INTERNATIONAL	
DESIGNED	
TRACED	
CHECKED	
APPROVED	
DRAWING NO.	SBW-418



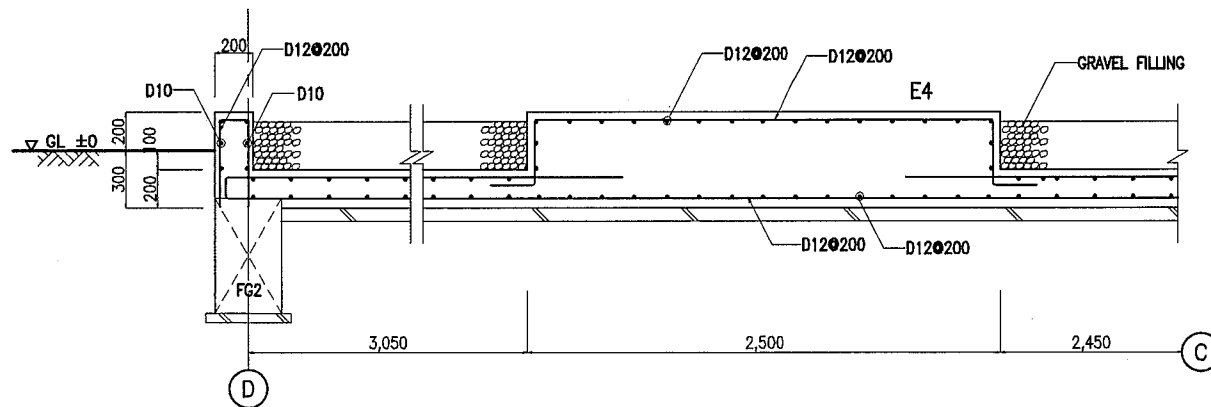
GROUND FLOOR PLAN



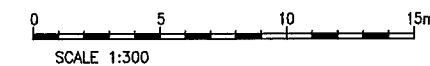
REINFORCEMENT FOR EQUIPMENT FOUNDATION E1, E2, E3
SCALE 1:40



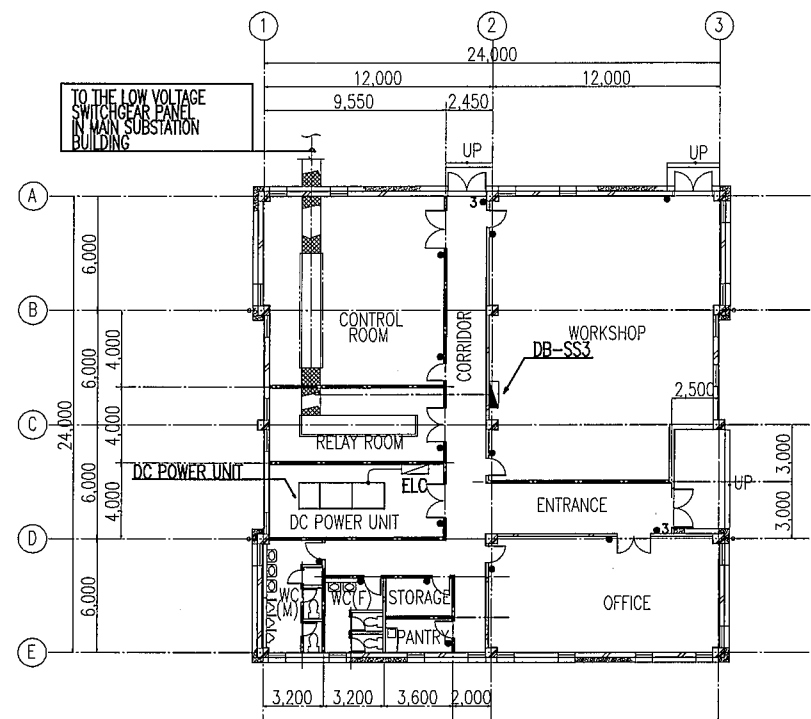
B-B SECTION
SCALE 1:40



A-A SECTION
SCALE 1:40



THE ARAB REPUBLIC OF EGYPT MINISTRY OF WATER RESOURCES AND IRRIGATION NORTH SINAI DEVELOPMENT ORGANIZATION THE NORTH SINAI INTEGRATED RURAL DEVELOPMENT PROJECT (PHASE III)	
CONVEYANCE SYSTEM OF EL SHEIKH GABER EL SABBABH CANAL MAIN POWER SUBSTATION (FOR EL SALAAM No. 7 P. S.)	
MAIN SUBSTATION MISC. DETAIL OF GROUND FLOOR (2/2)	
JAPAN INTERNATIONAL COOPERATION AGENCY (JICA) SANYU CONSULTANTS INC, PACIFIC CONSULTANTS INTERNATIONAL	
DESIGNED	
TRACED	
CHECKED	
APPROVED	
DRAWING NO.	SBN-419



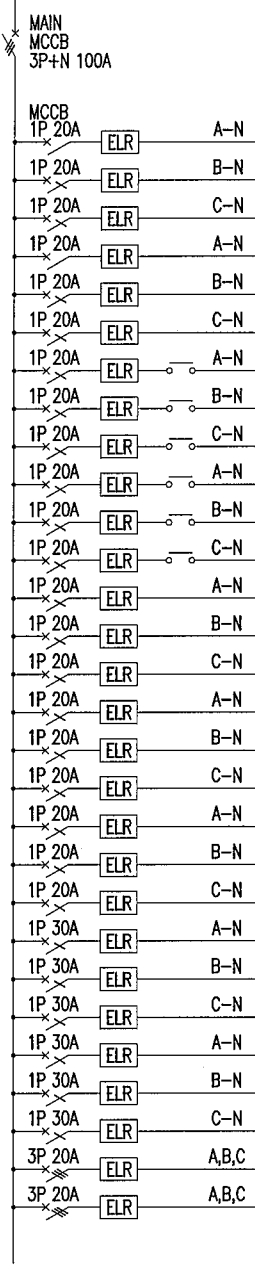
GROUND FLOOR PLAN S=1/400

LEGEND

SYMBOL	DESCRIPTION
	DISTRIBUTION BOARD (WALL SURFACE MOUNT)
	REMOTE CONTROL SWITCH (LIGHTING)
	1-WAY LIGHTING SWITCH
	3-WAY LIGHTING SWITCH
	WATER PROOFING
	LIGHTING MAIN LINE (EXPOSED WIRING)
	LIGHTING MAIN LINE (UNDER FLOOR WIRING)

3 PHASE
380/220V
A,B,C+N

DISTRIBUTION BOARD DB-SS3



NO.	CONNECTED CONSUMERS	LOAD(VA)
1	LIGHTS CONTROL ROOM	600
2	LIGHTS WORKSHOP	1,000
3	LIGHTS WORKSHOP	900
4	LIGHTS RELAY ROOM DC POWER UNIT ROOM	800
5	LIGHTS WC(M)&(F) PANTRY, STORAGE	600
6	LIGHTS CORRIDOR, ENTRANCE HALL MAIN ENTRANCE EAVES	950
7	LIGHTS EXTERIOR OF PUMP STATION	2,000
8	LIGHTS EXTERIOR	2,000
9	LIGHTS EXTERIOR	2,000
10	LIGHTS EXTERIOR	2,000
11	LIGHTS EXTERIOR	2,000
12	SPARE	
13	SOCKET OUTLETS CONTROL ROOM	1,000
14	SOCKET OUTLETS WORKSHOP	1,000
15	SOCKET OUTLETS OFFICE	1,000
16	SOCKET OUTLETS RELAY ROOM DC POWER UNIT ROOM	1,000
17	SOCKET OUTLETS PANTRY	1,000
18	SOCKET OUTLETS PANTRY	1,000
19	SOCKET OUTLETS WC(M)&(F) CORRIDOR, ENTRANCE HALL	1,000
20	SPARE	
21	SPARE	
31	SOCKET OUTLETS CONTROL ROOM	4,000
32	SOCKET OUTLETS WORKSHOP	4,000
33	SOCKET OUTLETS WORKSHOP	4,000
34	SOCKET OUTLETS WORKSHOP	4,000
35	SPARE	
36	SPARE	
51	SOCKET OUTLETS CONTROL ROOM	5,000
52	SOCKET OUTLETS WORKSHOP	5,000
	TOTAL	47,850

LIGHTING FIXTURE SCHEDULE

DESCRIPTION	TYPE	LAMPS
CEILING SURFACE MOUNTED TYPE WITH METALLIC LOW BRIGHTNESS LOUVER(IP51)	A-FL322	FL32Wx2
	A-FL323	FL32Wx3
	B-FL321	FL32Wx1
	B-FL322	FL32Wx2
	C-FL321	FL32Wx1
	C-FL322	FL32Wx2
PIPE PENDANT TYPE WITH METALLIC REFLECTOR(IP51)	D-HPS400	HPS400Wx1
HIGH CEILING MOUNTED TYPE WITH METALLIC REFLECTOR(IP51)	E-HPS400	HPS400Wx1
FLOOD LIGHT FIXTURE(IP65)	F-SON125	SON125Wx1
POLE TOP MOUNTED TYPE AREA LIGHTING FIXTURE(IP65)	G-FL321	FL32Wx1
WALL MOUNTED TYPE WITH PLASTIC COVER(IP65)	H-IL100	IL100Wx11

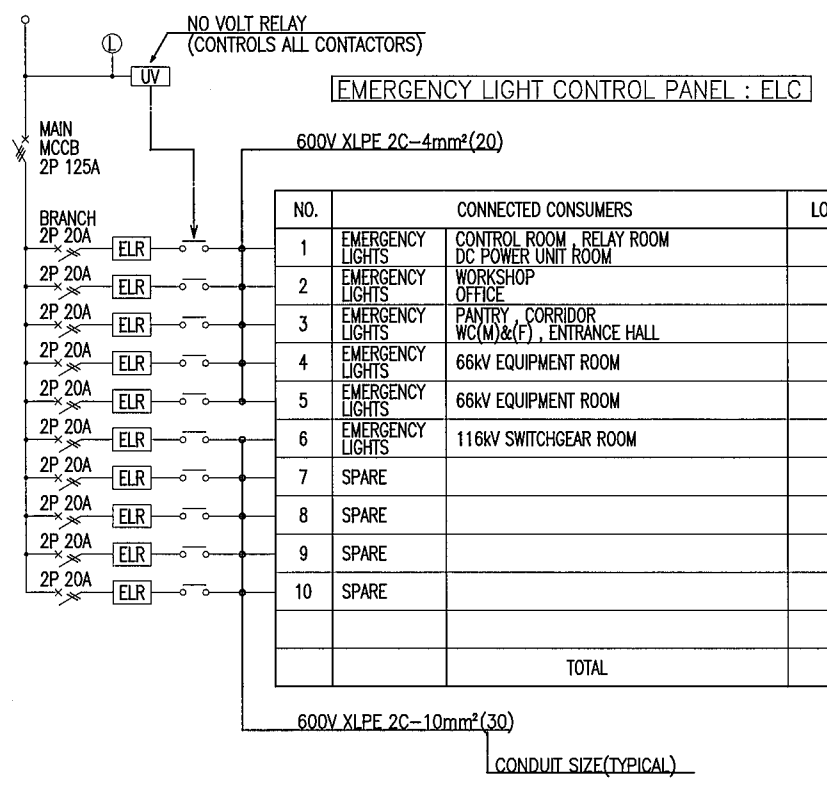
NOTE:

- IL : INCANDESCENT LAMP
- FL : FLUORESCENT LAMP
- HPS : HIGH-PRESSURE SODIUM LAMP
- SON : SODIUM LAMP

INSTALLATION SCHEDULE

ROOM/AREA	GENERAL TYPE-NUMBERS	LIGHTING	EMERGENCY TYPE-NUMBERS	SOCKET OUTLET		
				1P+E 15A 220V	2P+E 30A 220V	3P+E 20A 380V
CONTROL ROOM	A-FL322	12	H-IL100	6	1	1
WORKSHOP	B-FL322	19	H-IL100	8	3	1
OFFICE	A-FL322	8	H-IL100	4		
RELAY ROOM	B-FL322	4	H-IL100	1		
DC POWER UNIT ROOM	B-FL322	4	H-IL100	1		
STORAGE	B-FL321	1				
PANTRY	B-FL322	1	H-IL100	1	3	
WC(M)	B-FL322	3	H-IL100	1	1	
WC(F)	B-FL322	2	H-IL100	1	1	
CORRIDOR	B-FL321	9	H-IL100	3	3	
ENTRANCE HALL	B-FL322	3	H-IL100	1	1	
MAIN ENTRANCE EAVES	G-FL321	2				
ENTRANCE EAVES(1)	G-FL321	1				
ENTRANCE EAVES(2)	G-FL321	1				
EXTERIOR	F-SON125	50				

DC 100V



NO.	CONNECTED CONSUMERS	LOAD(VA)
1	EMERGENCY LIGHTS CONTROL ROOM, RELAY ROOM DC POWER UNIT ROOM	800
2	EMERGENCY LIGHTS WORKSHOP	1,600
3	EMERGENCY LIGHTS PANTRY, CORRIDOR WC(M)&(F), ENTRANCE HALL	700
4	EMERGENCY LIGHTS 66KV EQUIPMENT ROOM	1,000
5	EMERGENCY LIGHTS 66KV EQUIPMENT ROOM	1,000
6	EMERGENCY LIGHTS 116KV SWITCHGEAR ROOM	600
7	SPARE	
8	SPARE	
9	SPARE	
10	SPARE	
	TOTAL	5,700

THE ARAB REPUBLIC OF EGYPT
MINISTRY OF WATER RESOURCES AND IRRIGATION
NORTH SINAI DEVELOPMENT ORGANIZATION

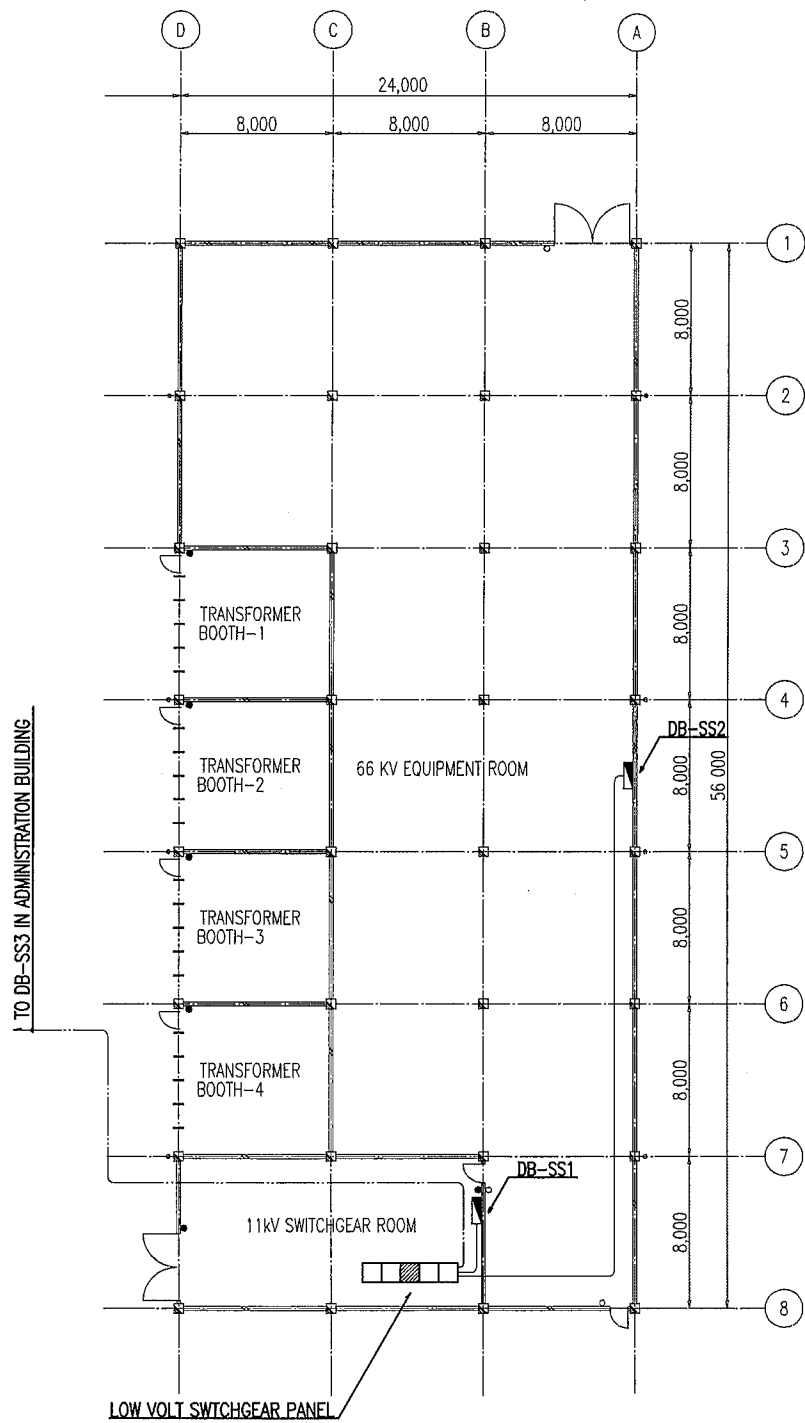
**THE NORTH SINAI INTEGRATED RURAL
DEVELOPMENT PROJECT (PHASE III)**

CONVEYANCE SYSTEM OF EL SHEIKH GABER EL SABBAH CANAL
MAIN POWER SUBSTATION (FOR EL SALAAM No. 7 P.S.)

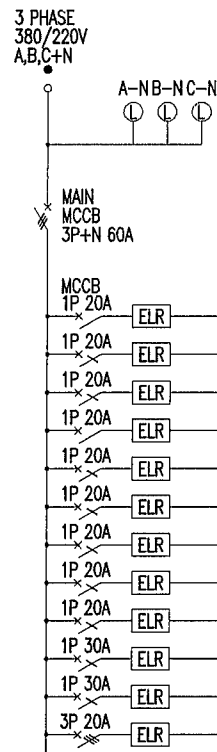
**ADMINISTRATION BUILDING
LIGHTING AND SOCKET OUTLET INSTLLATION SCHEDULE**

JAPAN INTERNATIONAL COOPERATION AGENCY (JICA)
SANYU CONSULTANTS INC, PACIFIC CONSULTANTS INTERNATIONAL

DESIGNED	
TRACED	
CHECKED	
APPROVED	
DRAWING NO.	S&W-420

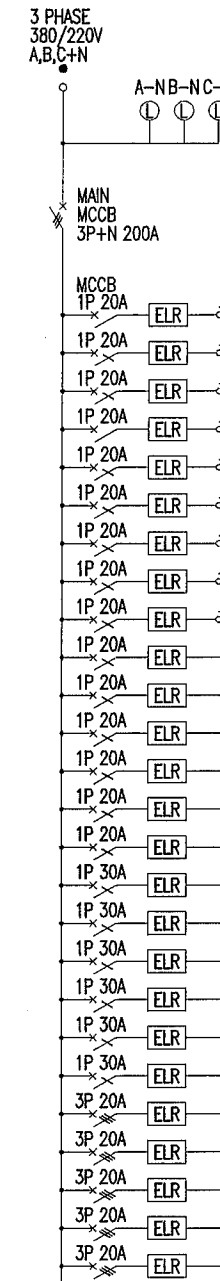


MAIN SUBSTATION BUILDING S=1/400



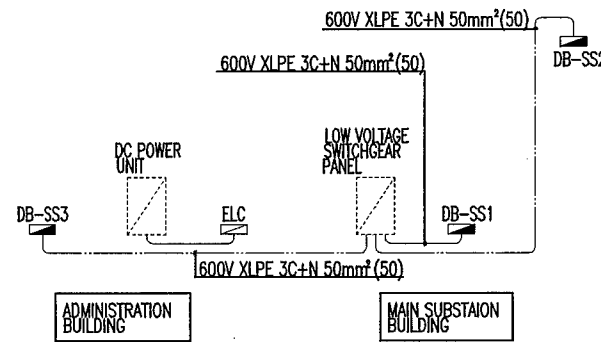
DISTRIBUTION BOARD DB-SS1

NO.	CONNECTED CONSUMERS	LOAD(VA)
1	LIGHTS 11KV SWITCHGEAR ROOM ENTRANS EAVES(1)	650
2	LIGHTS 11KV SWITCHGEAR ROOM	1,200
3	LIGHTS TRANSFORMER BOOTH(1)(2)(3)(4)	800
4	SOCKET OUTLETS 11KV SWITCHGEAR ROOM	1,000
5	SOCKET OUTLETS 11KV SWITCHGEAR ROOM	1,000
6	SOCKET OUTLETS TRANSFORMER BOOTH(1)(2)(3)(4)	1,000
7	SPARE	
8	SPARE	
9	SPARE	
31	SOCKET OUTLETS 11KV SWITCHGEAR ROOM	4,000
32	SPARE	
51	SOCKET OUTLETS 11KV SWITCHGEAR ROOM	5,000
TOTAL		60,600



DISTRIBUTION BOARD DB-SS2

NO.	CONNECTED CONSUMERS	LOAD(VA)
1	LIGHTS 66KV EQUIPMENT ROOM	1,500
2	LIGHTS 66KV EQUIPMENT ROOM	2,000
3	LIGHTS 66KV EQUIPMENT ROOM	2,000
4	LIGHTS 66KV EQUIPMENT ROOM	2,000
5	LIGHTS ENTRANS EAVES(2)	550
6	LIGHTS ENTRANS EAVES(3)	550
7	SPARE	
8	SPARE	
9	SPARE	
10	SOCKET OUTLETS 66KV EQUIPMENT ROOM	1,000
11	SOCKET OUTLETS 66KV EQUIPMENT ROOM	1,000
12	SOCKET OUTLETS 66KV EQUIPMENT ROOM	1,000
13	SPARE	
14	SPARE	
15	SPARE	
31	SOCKET OUTLETS 66KV EQUIPMENT ROOM	4,000
32	SOCKET OUTLETS 66KV EQUIPMENT ROOM	4,000
33	SOCKET OUTLETS 66KV EQUIPMENT ROOM	4,000
34	SOCKET OUTLETS 66KV EQUIPMENT ROOM	4,000
35	SOCKET OUTLETS 66KV EQUIPMENT ROOM	4,000
36	SOCKET OUTLETS 66KV EQUIPMENT ROOM	4,000
51	SOCKET OUTLETS 66KV EQUIPMENT ROOM	5,000
52	SOCKET OUTLETS 66KV EQUIPMENT ROOM	5,000
53	SOCKET OUTLETS 66KV EQUIPMENT ROOM	5,000
54	SOCKET OUTLETS 66KV EQUIPMENT ROOM	5,000
55	SOCKET OUTLETS 66KV EQUIPMENT ROOM	5,000
TOTAL		60,600



LIGHTING MAIN LINE DIAGRAM

LEGEND

SYMBOL	DESCRIPTION
▬	DISTRIBUTION BOARD (WALL SURFACE MOUNT)
○	REMOTE CONTROL SWITCH (LIGHTING)
•	1-WAY LIGHTING SWITCH
••	3-WAY LIGHTING SWITCH
WP	WATER PROOFING
—	LIGHTING MAIN LINE (EXPOSED WIRING)
---	LIGHTING MAIN LINE (IN CABLE PIT)

LIGHTING FIXTURE SCHEDULE

DESCRIPTION	TYPE	LAMPS
CEILING SURFACE MOUNTED TYPE WITH METALLIC LOW BRIGHTNESS LOWER(IP51)	A-FL322 A-FL323	FL 32Wx2 FL 32Wx3
CEILING SURFACE MOUNTED OPEN TYPE (IP51)	B-FL321 B-FL322	FL 32Wx1 FL 32Wx2
PIPE PENDANT TYPE WITH METALLIC REFLECTOR(IP51)	C-FL321 C-FL322	FL 32Wx1 FL 32Wx2
HIGH CEILING MOUNTED TYPE WITH METALLIC REFLECTOR(IP51)	D-HPS400	HPS 400Wx1
FLOOD LIGHT FIXTURE(IP65)	E-HPS400	HPS 400Wx1
POLE TOP MOUNTED TYPE AREA LIGHTING FIXTURE(IP65)	F-SON125	SON 125Wx1
WALL MOUNTED TYPE WITH PLASTIC COVER(IP65)	G-FL321	FL 32Wx1
CEILING/WALL MOUNTED TYPE(IP51)	H-IL100	IL 100Wx11

NOTE:
 IL :INCANDESCENT LAMP
 FL :FLUORESCENT LAMP
 HPS :HIGH-PRESSURE SODIUM LAMP
 SON :SODIUM LAMP

INSTALLATION SCHEDULE

ROOM/AREA	LIGHTING		SOCKET OUTLET			
	GENERAL TYPE-NUMBERS	EMERGENCY TYPE-NUMBERS	1P+E 15A 220V	2P+E 30A 220V	3P+E 20A 380V	
66KV EQUIPMENT ROOM	D-HPS400 B-FL321	15 20	H-IL100 20	18	6	4
11KV SWITCHGEAR ROOM	B-FL322	18	H-IL100 6	6	1	1
TRANSFORMER BOOTH(1)	B-FL321	4		1		
TRANSFORMER BOOTH(2)	B-FL321	4		1		
TRANSFORMER BOOTH(3)	B-FL321	4		1		
TRANSFORMER BOOTH(4)	B-FL321	4		1		
ENTRANS EAVES(1)	G-FL321	1				
ENTRANS EAVES(2)	G-FL321	1				
ENTRANS EAVES(3)	G-FL321	1				

THE ARAB REPUBLIC OF EGYPT
 MINISTRY OF WATER RESOURCES AND IRRIGATION
 NORTH SINAI DEVELOPMENT ORGANIZATION

THE NORTH SINAI INTEGRATED RURAL DEVELOPMENT PROJECT (PHASE III)

CONVEYANCE SYSTEM OF EL SHEIKH GABER EL SABBAH CANAL
 MAIN POWER SUBSTATION (FOR EL SALAAM No. 7 P.S.)

**MAIN SUBSTATION BUILDING
 LIGHTING AND SOCKET OUTLET INSTALLATION SCHEDULE**

JAPAN INTERNATIONAL COOPERATION AGENCY (JICA)
 SANYU CONSULTANTS INC, PACIFIC CONSULTANTS INTERNATIONAL

DESIGNED	
TRACED	
CHECKED	
APPROVED	
DRAWING NO.	SBW-421

GENERAL NOTES FOR VENTILATION AIR CONDITIONING AND PLUMBING SYSTEM

1. DESIGN CRITERIA

OUTDOOR DESIGN CONDITIONS	: 37°CDB, 23°CWB
INDOOR DESIGN CONDITIONS	: 25±1°CDB, 50±10%RH
VENTILATION REQUIREMENT	
<u>ROOM</u>	<u>VENTILATION RATE</u>
WORK SHOP IN PUMP HOUSE	: 20 AC/H
WORK SHOP IN ADMINISTRATION BLDG TOILET	: 15 AC/H
SUB-STATION	: 15 AC/H
DC POWER UNIT ROOM	: 30 AC/H

2. LEGEND

<u>SYMBOL</u>	<u>DESCRIPTION</u>
----	POTABLE WATER PIPE
———	SEWAGE PIPE
—X—	GATE VALVE
—N—	CHECK VALVE
—(ST)—	STRAINER "Y" TYPE
□	AIR CONDITIONER,
⊙	OUTDOOR CONDENSING UNIT
← ⊙	EXHAUST FAN
⊠	AXIAL FLOW FAN
⊗	MANHOLE
(LS)	LEVEL SWITCH

3. ABBREVIATIONS

SAR	SUPPLY AIR REGISTER
CMM	CUBIC METER PER MINUTES
RA	RETURN AIR
SA	SUPPLY AIR
TYP.	TYPICAL
VAC	VENTILATION AND AIR CONDITIONING
AC/H	AIR CHANGE PER HOUR
DB	DRY BULB
RH	RELATIVE HUMIDITY
A/C	AIR CONDITIONER

4. GENERAL NOTES

- 4.1 DRAWING OF VENTILATION, AIR CONDITIONING AND PLUMBING SYSTEM SHALL BE READ IN CONJUNCTION WITH RELEVANT ARCHITECTURAL AND OTHER SERVICES DRAWINGS.
- 4.2 ALL DIMENSIONS ARE MILLEMMETER UNLESS OTHERWISE INDICATED.
- 4.3 THE WORK SHALL BE EXECUTED IN CLOSE COORDINATION WITH ALL TRADES.
- 4.4 ALL FLOOR MOUNTED EQUIPMENT SHALL BE PROVIDED WITH VIBRATION ISOLATORS TO PREVENT VIBRATION AND NOISE TRANSMISSION.
- 4.5 PRIMARY POWER TO THE MOTOR CONTROL PANEL (MCP) SHALL BE SUPPLIED BY THE ELECTRICAL WORK. MCP AND WIRING BETWEEN MCP AND EQUIPMENT SHALL ALSO BE THE SCOPE OF THE ELECTRICAL WORK.
- 4.6 PROVIDE AUTOMATIC AIR VENT VALVE AT HIGH POINT AND DRAIN VALVE AT LOW POINT IN THE WATER PIPING SYSTEM.
- 4.7 PROVIDE PIPE SLEEVES FOR ALL PIPING PASSING THROUGH BUILDING STRUCTURE.
- 4.8 PROVIDE ACCESS DOOR AT THE PIPE SHAFT AND ACCESS PANEL AT THE CEILING WHERE REQUIRED FOR PROPER OPERATION AND MAINTENANCE.
- 4.9 THE CONDENSATE DRAINPIPE SHALL BE DISCHARGED TO THE GROUND.
- 4.10 LOCATION OF OUTDOOR AIR INTAKE LOUVERS SHOWN ON THE DRAWINGS SHALL BE INDICATIVE ONLY AND SHALL BE REFERRED TO THE ARCHITECTURAL DRAWINGS.
- 4.11 ROOF OVER THE AIR CONDITIONED SPACE SHALL BE INSULATED.
- 4.12 THE PROPELLER TYPE EXHAUST FAN SHALL BE PROVIDED WITH GRAVITY LOUVER AND INSECT SCREEN.

THE ARAB REPUBLIC OF EGYPT MINISTRY OF WATER RESOURCES AND IRRIGATION NORTH SINAI DEVELOPMENT ORGANIZATION THE NORTH SINAI INTEGRATED RURAL DEVELOPMENT PROJECT (PHASE III)	
CONVEYANCE SYSTEM OF EL SHEIKH GABER EL SABBABH CANAL MAIN POWER SUBSTATION (FOR EL SALAAM No. 7 P. S.)	
MAIN SUBSTATION & ADMINISTRATION BUILDING GENERAL NOTES FOR VAC AND PLUMBING SYSTEM	
JAPAN INTERNATIONAL COOPERATION AGENCY (JICA) SANYU CONSULTANTS INC, PACIFIC CONSULTANTS INTERNATIONAL	
DESIGNED	
TRACED	
CHECKED	
APPROVED	
DRAWING NO.	SBW-422

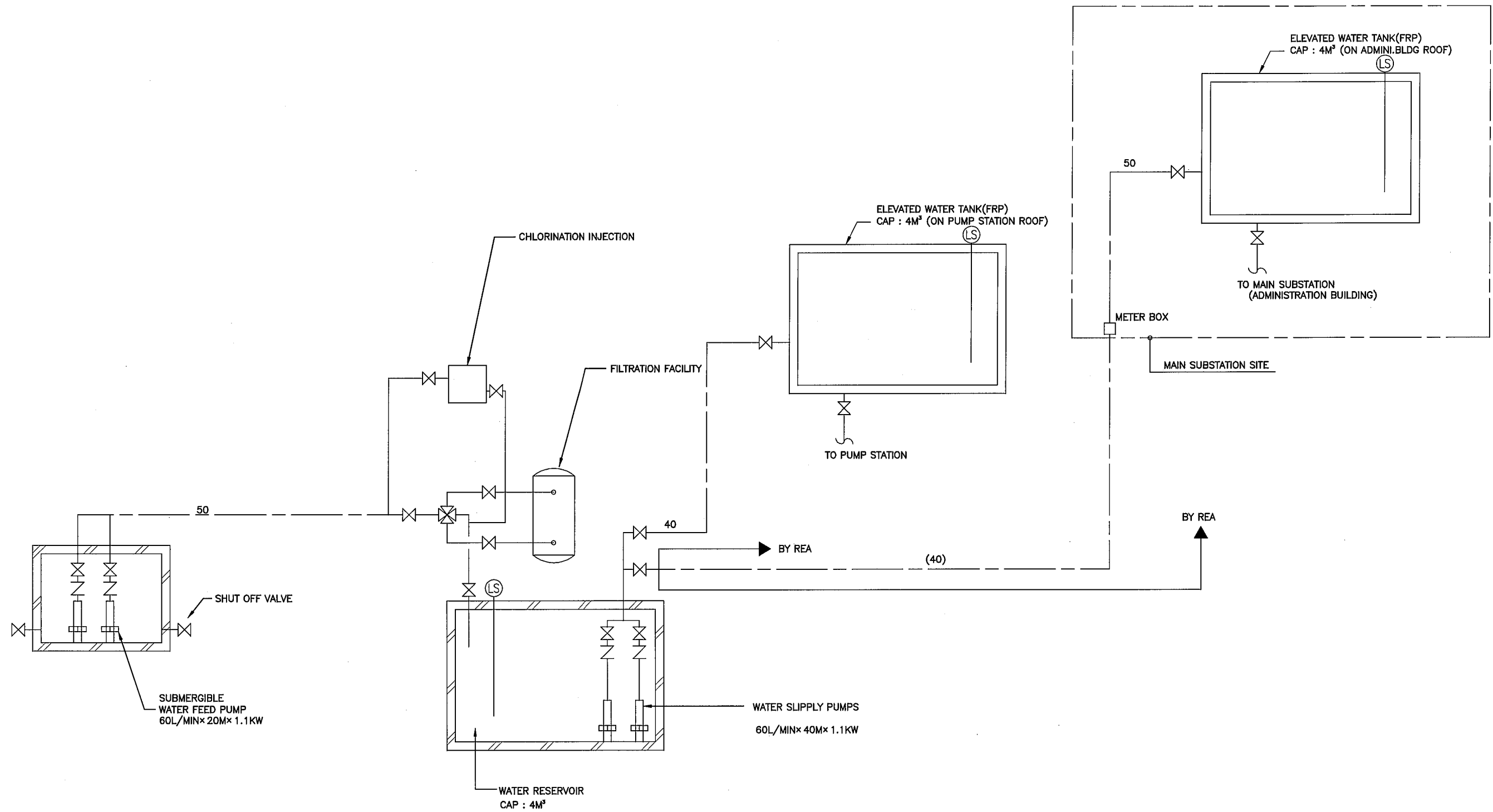
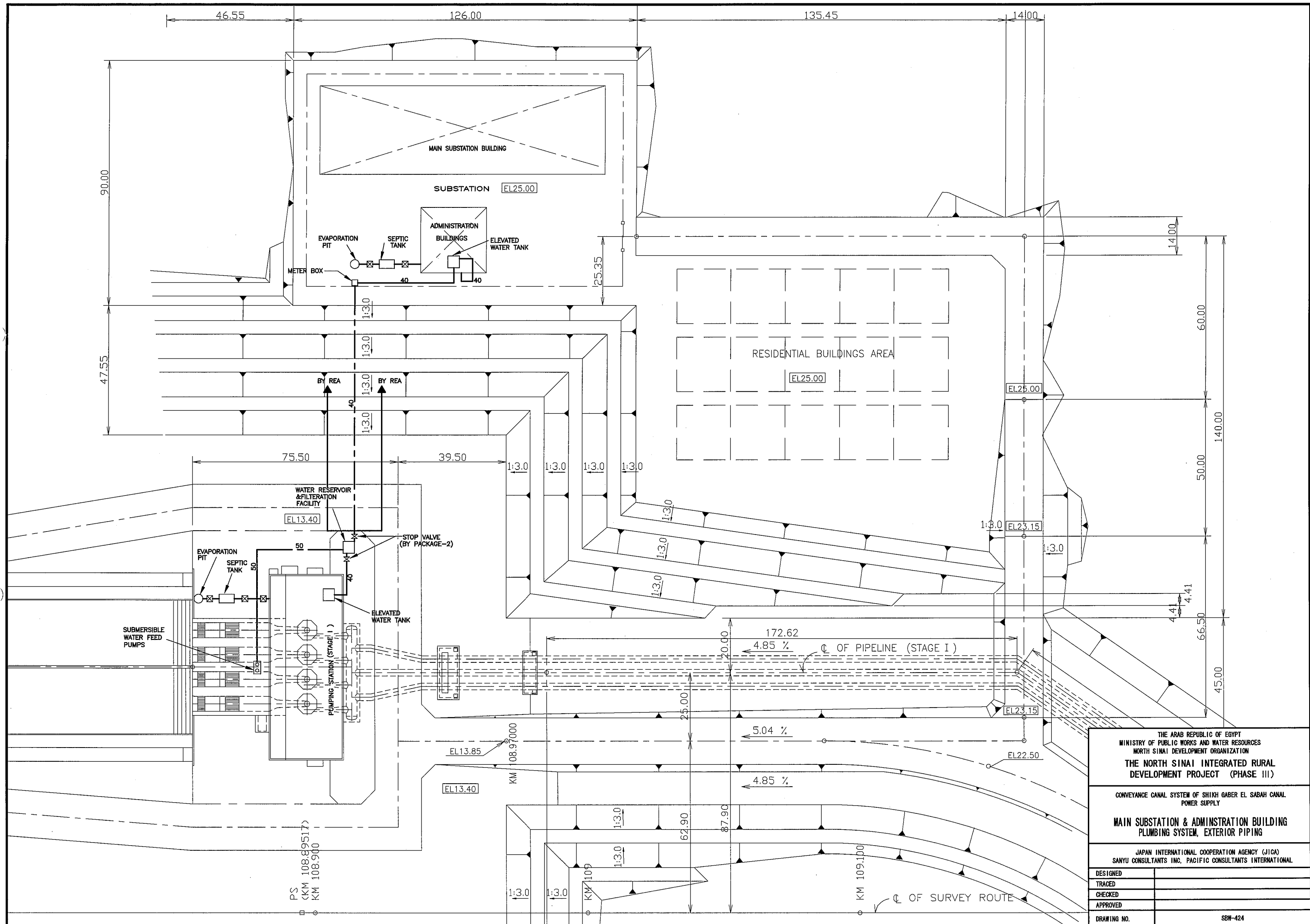


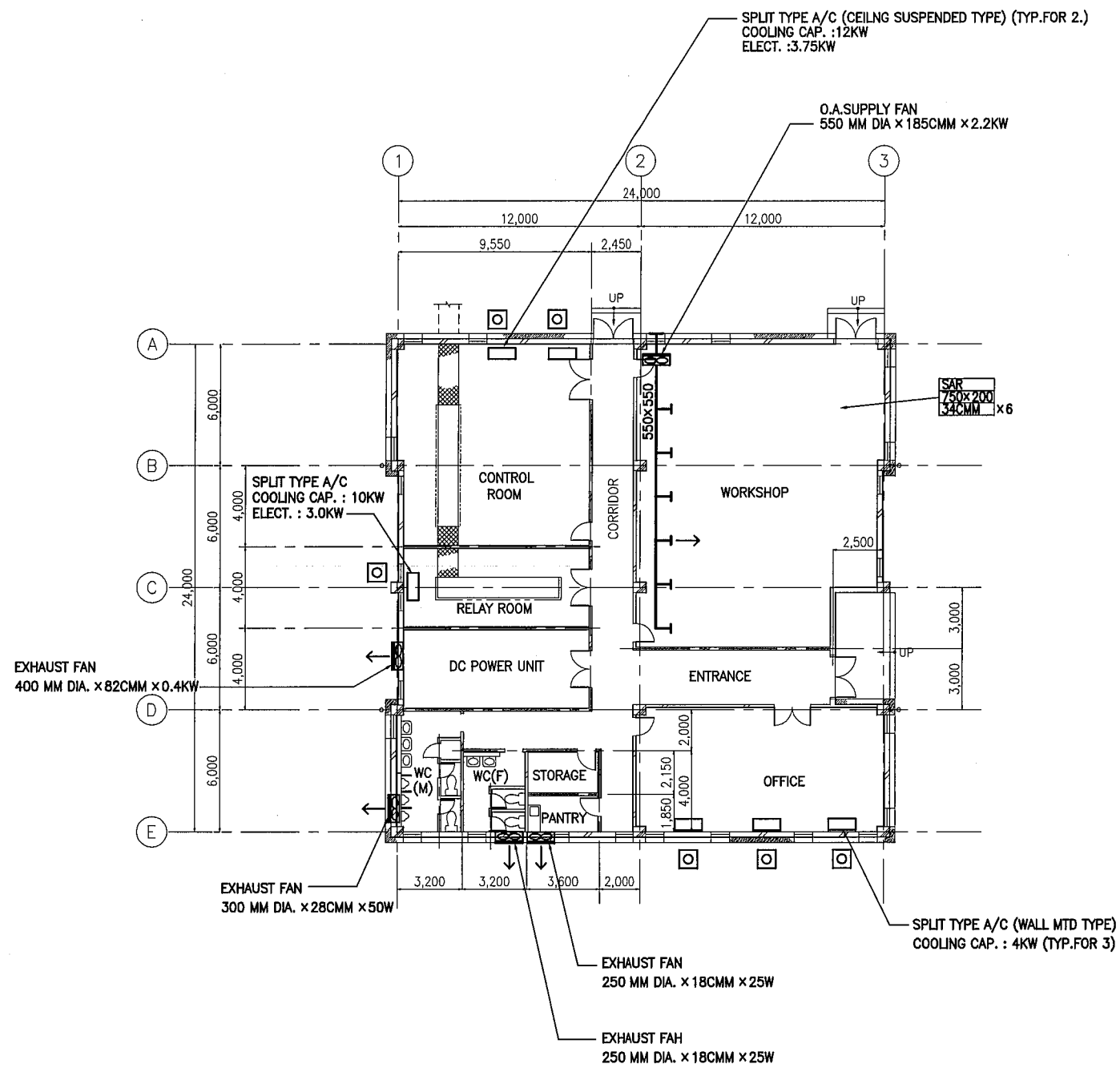
DIAGRAM FOR WATER SUPPLY SYSTEM
NOT TO SCALE

THE ARAB REPUBLIC OF EGYPT MINISTRY OF PUBLIC WORKS AND WATER RESOURCES NORTH SINAI DEVELOPMENT ORGANIZATION THE NORTH SINAI INTEGRATED RURAL DEVELOPMENT PROJECT (PHASE III)	
CONVEYANCE CANAL SYSTEM OF SHIKH GABER EL SABAH CANAL POWER SUPPLY	
MAIN SUBSTATION & ADMINISTRATION BUILDING DIAGRAM FOR WATER SUPPLY SYSTEM	
JAPAN INTERNATIONAL COOPERATION AGENCY (JICA) SANYU CONSULTANTS INC, PACIFIC CONSULTANTS INTERNATIONAL	
DESIGNED	
TRACED	
CHECKED	
APPROVED	
DRAWING NO.	SBW-423



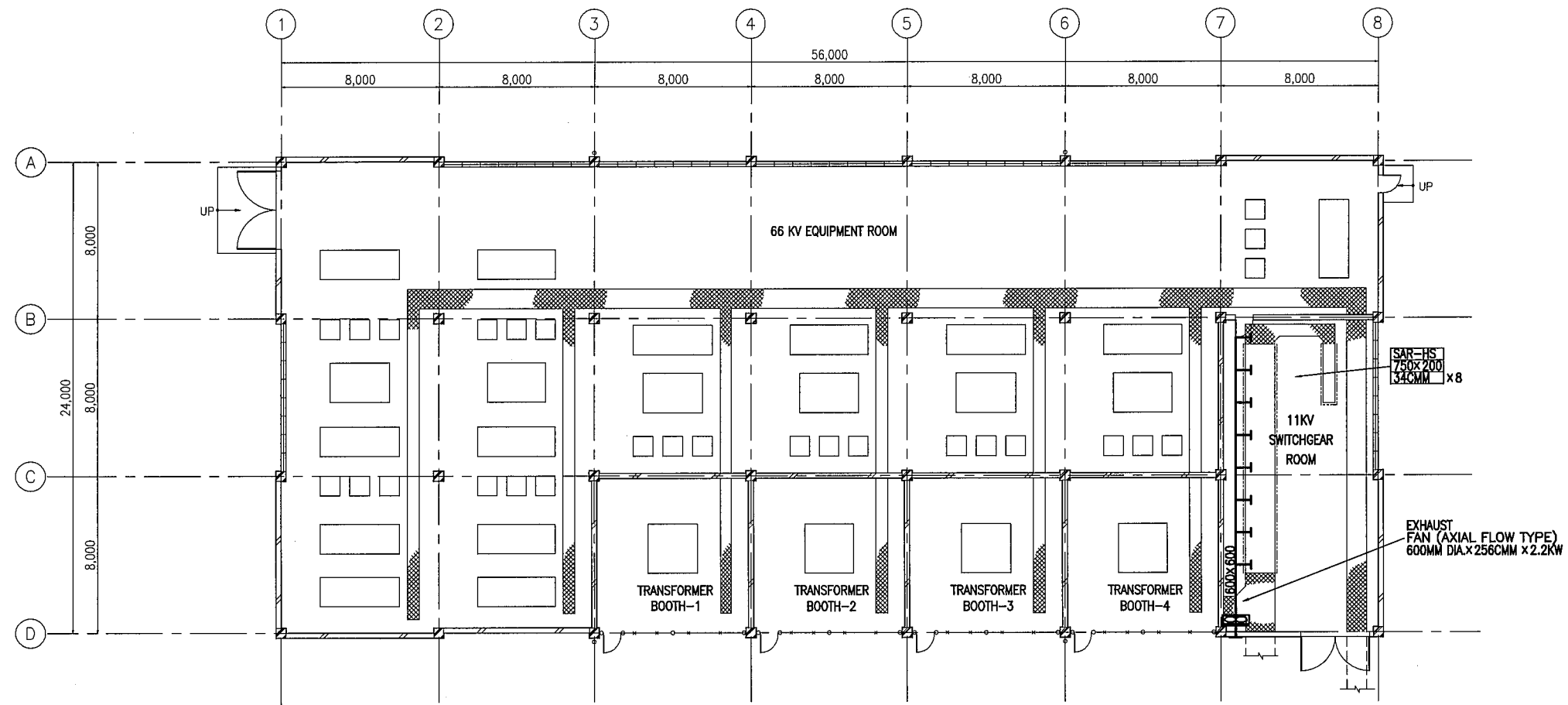
THE ARAB REPUBLIC OF EGYPT
 MINISTRY OF PUBLIC WORKS AND WATER RESOURCES
 NORTH SINAI DEVELOPMENT ORGANIZATION
THE NORTH SINAI INTEGRATED RURAL DEVELOPMENT PROJECT (PHASE III)
 CONVEYANCE CANAL SYSTEM OF SHIKH GABER EL SABAH CANAL
 POWER SUPPLY
**MAIN SUBSTATION & ADMINISTRATION BUILDING
 PLUMBING SYSTEM, EXTERIOR PIPING**
 JAPAN INTERNATIONAL COOPERATION AGENCY (JICA)
 SANYU CONSULTANTS INC, PACIFIC CONSULTANTS INTERNATIONAL

DESIGNED	
TRACED	
CHECKED	
APPROVED	
DRAWING NO.	SBW-424



VETILATION AND AIR CONDITIONING SYSTEM, GROUND FLOOR

THE ARAB REPUBLIC OF EGYPT MINISTRY OF WATER RESOURCES AND IRRIGATION NORTH SINAI DEVELOPMENT ORGANIZATION THE NORTH SINAI INTEGRATED RURAL DEVELOPMENT PROJECT (PHASE III)	
CONVEYANCE SYSTEM OF EL SHEIKH GABER EL SABBABH CANAL MAIN POWER SUBSTATION (FOR EL SALAAM No. 7 P. S.) ADMINISTRATION BUILDING VENTILATION AND AIR CONDITIONING SYSTEM, GROUND FLOOR	
JAPAN INTERNATIONAL COOPERATION AGENCY (JICA) SANYU CONSULTANTS INC, PACIFIC CONSULTANTS INTERNATIONAL	
DESIGNED	
TRACED	
CHECKED	
APPROVED	
DRAWING NO.	SBN-425



VETILATION AND AIR CONDITIONINGSYSTEM, GROUND FLOOR

THE ARAB REPUBLIC OF EGYPT MINISTRY OF WATER RESOURCES AND IRRIGATION NORTH SINAI DEVELOPMENT ORGANIZATION THE NORTH SINAI INTEGRATED RURAL DEVELOPMENT PROJECT (PHASE III)	
CONVEYANCE SYSTEM OF EL SHEIKH GABER EL SABBAN CANAL MAIN POWER SUBSTATION (FOR EL SALAAM No. 7 P. S.) MAIN SUBSTATION GROUND FLOOR VENTILATION AND AIR CONDITIONING SYSTEM	
JAPAN INTERNATIONAL COOPERATION AGENCY (JICA) SANYU CONSULTANTS INC, PACIFIC CONSULTANTS INTERNATIONAL	
DESIGNED	
TRACED	
CHECKED	
APPROVED	
DRAWING NO.	SBW-426