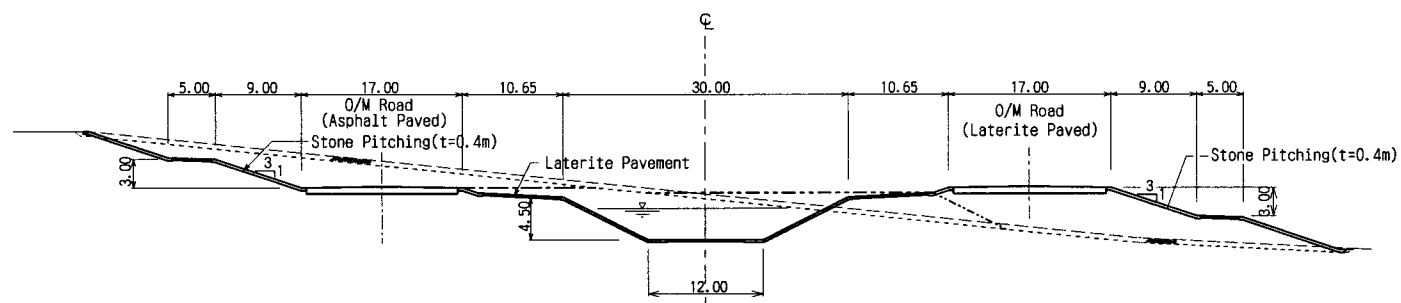
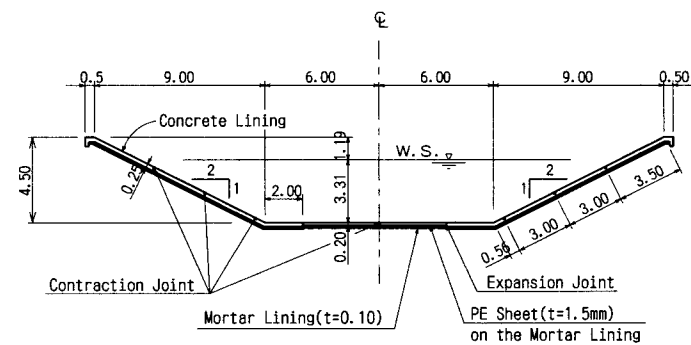


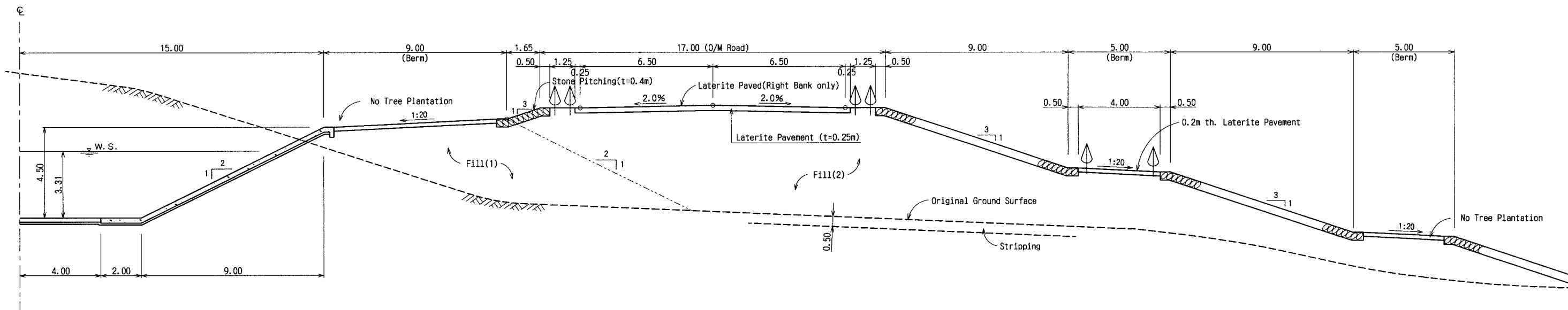
THE ARAB REPUBLIC OF EGYPT MINISTRY OF WATER RESOURCES AND IRRIGATION NORTH SINAI DEVELOPMENT ORGANIZATION	
THE NORTH SINAI INTEGRATED RURAL DEVELOPMENT PROJECT (PHASE III)	
CONVEYANCE SYSTEM OF EL SHEIKH GABER EL SABBABH CANAL BETWEEN KM 118.560 AND KM 132.500	
OPEN CANAL TYPICAL SECTION (CUT SECTION)	
JAPAN INTERNATIONAL COOPERATION AGENCY (JICA) SANYU CONSULTANTS INC. PACIFIC CONSULTANTS INTERNATIONAL	
DESIGNED	
TRACED	
CHECKED	
APPROVED	
DRAWING NO.	CCL-336



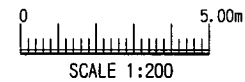
TYPICAL SECTION OF OPEN CANAL
NOT TO SCALE



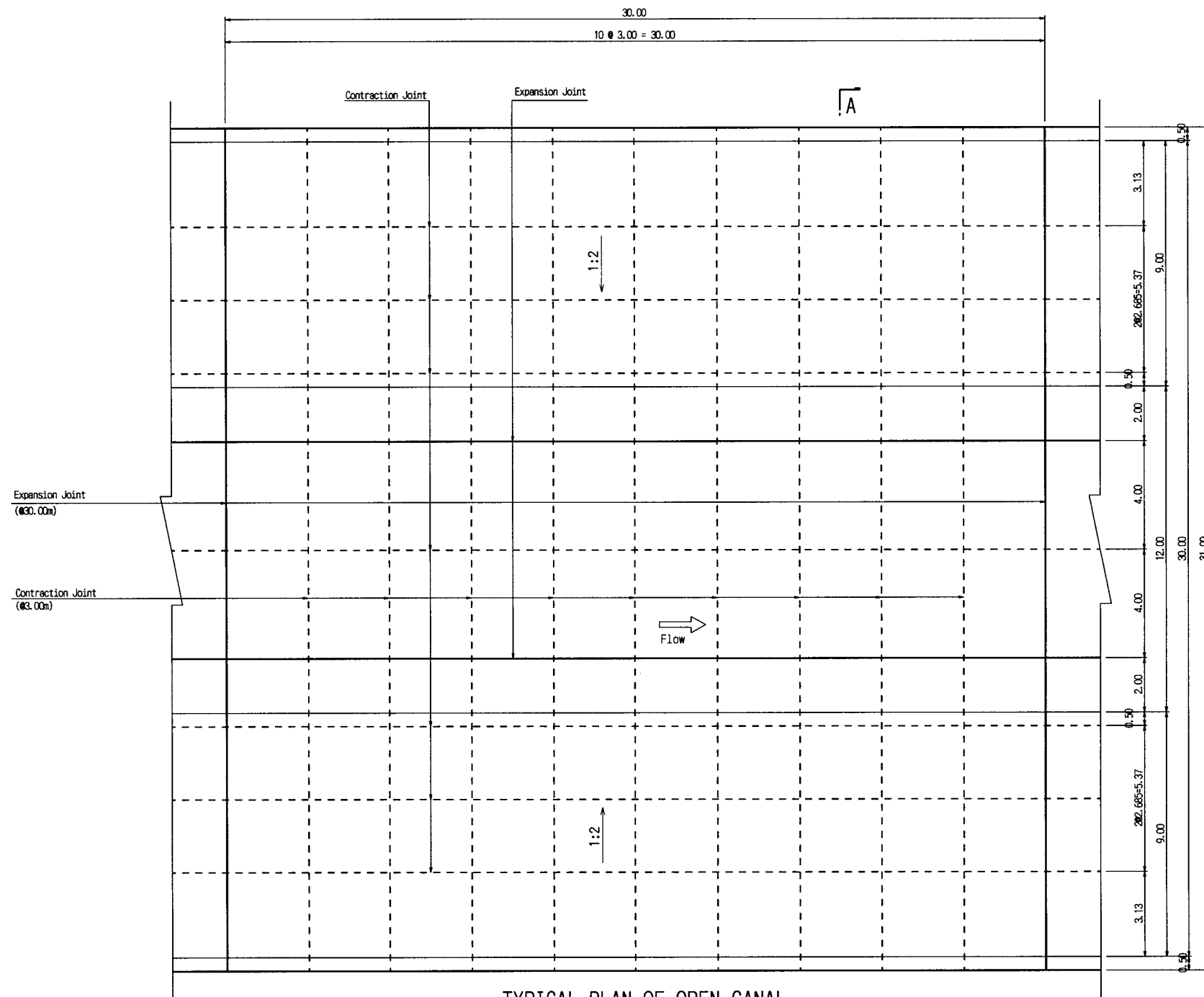
CONCRETE LINED SECTION
SCALE 1:400



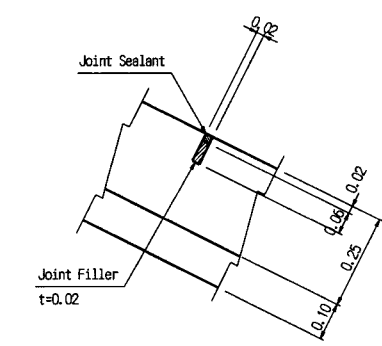
HALF CROSS SECTION (FILL SECTION)
SCALE 1:200



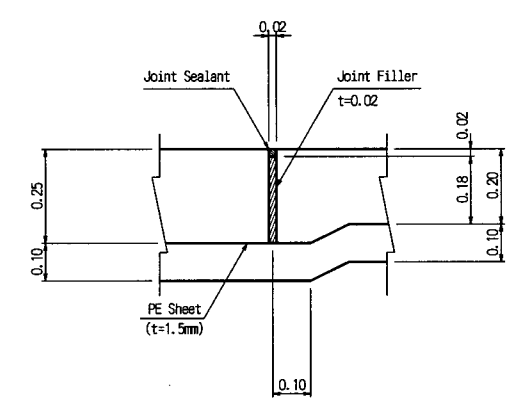
THE ARAB REPUBLIC OF EGYPT MINISTRY OF WATER RESOURCES AND IRRIGATION NORTH SINAI DEVELOPMENT ORGANIZATION	
THE NORTH SINAI INTEGRATED RURAL DEVELOPMENT PROJECT (PHASE III)	
CONVEYANCE SYSTEM OF EL SHEIKH GABER EL SABBABH CANAL BETWEEN KM 118.560 AND KM 132.500	
OPEN CANAL TYPICAL SECTION (FILL SECTION)	
JAPAN INTERNATIONAL COOPERATION AGENCY (JICA) SANYU CONSULTANTS INC, PACIFIC CONSULTANTS INTERNATIONAL	
DESIGNED	
TRACED	
CHECKED	
APPROVED	
DRAWING NO.	CCL-337



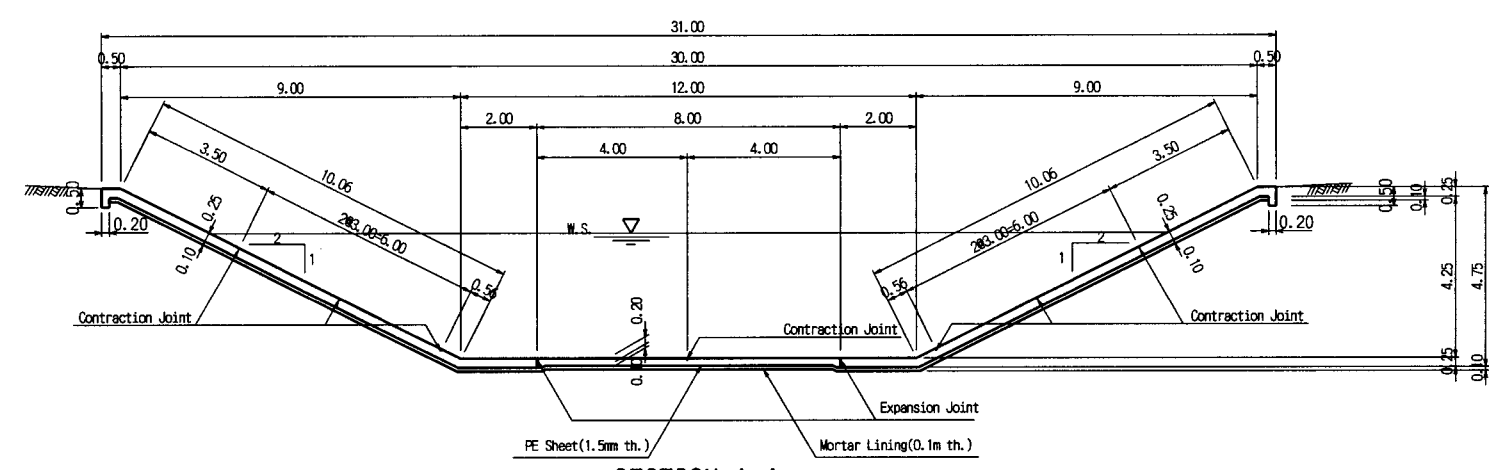
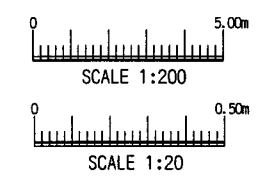
TYPICAL PLAN OF OPEN CANAL
SCALE 1:200



CONTRACTION JOINT
SCALE 1:20

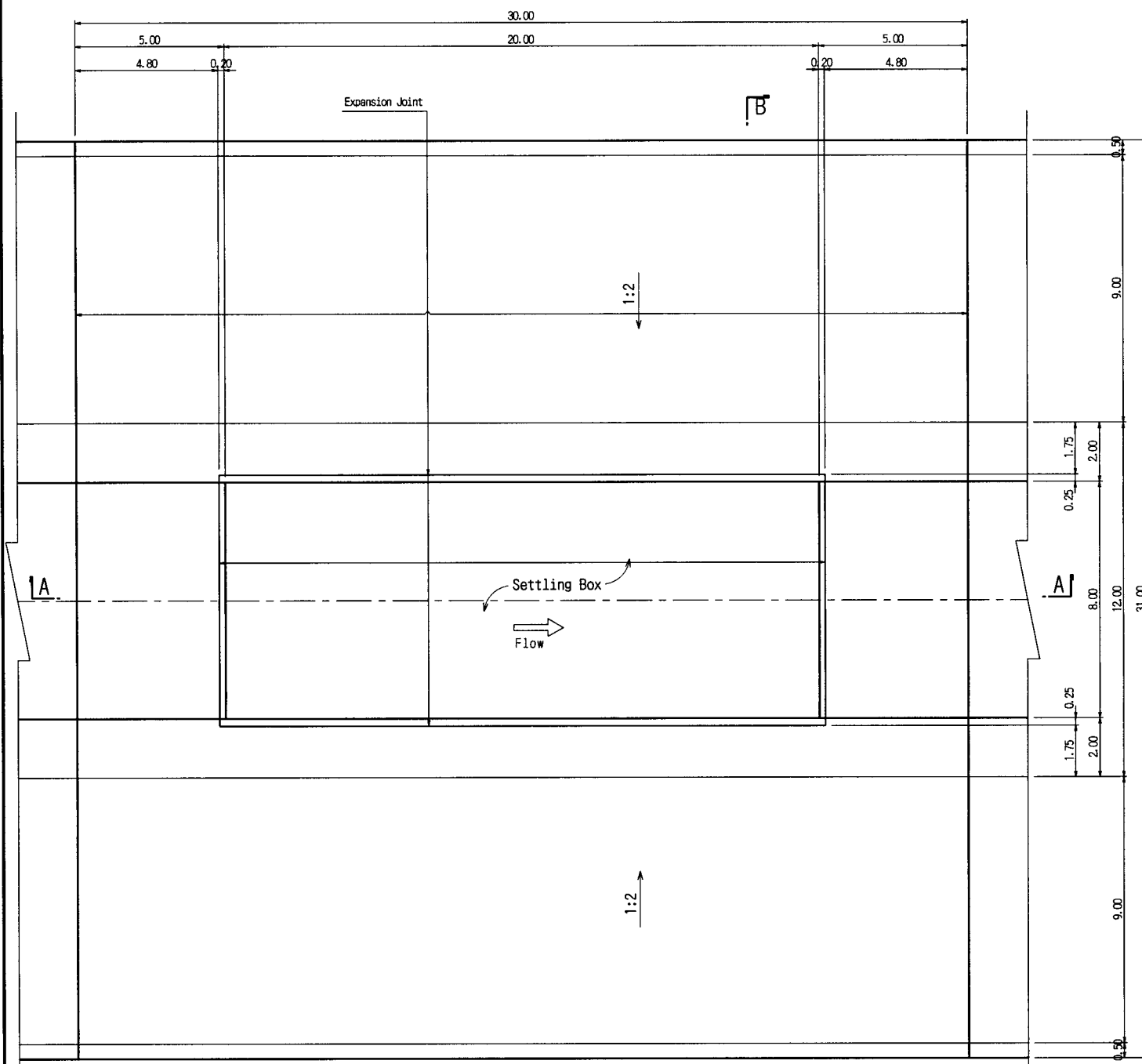


EXPANSION JOINT
SCALE 1:20

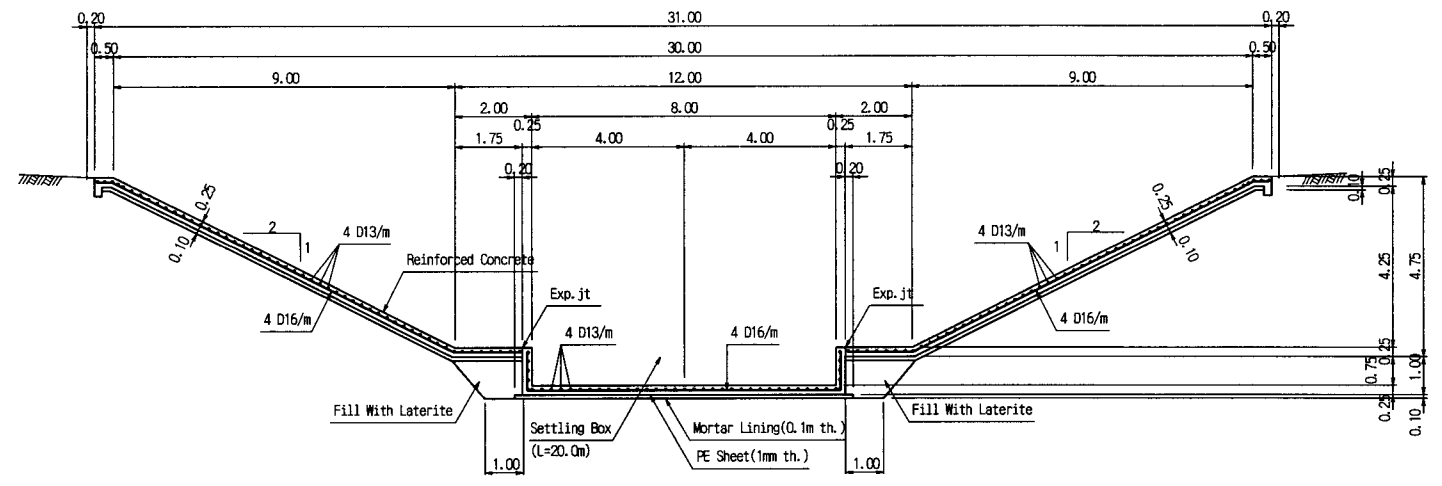


SECTION A-A
SCALE 1:200

THE ARAB REPUBLIC OF EGYPT MINISTRY OF WATER RESOURCES AND IRRIGATION NORTH SINAI DEVELOPMENT ORGANIZATION	
THE NORTH SINAI INTEGRATED RURAL DEVELOPMENT PROJECT (PHASE III)	
CONVEYANCE SYSTEM OF EL SHEIKH GABER EL SABBABH CANAL BETWEEN KM 118.560 AND KM 132.500	
OPEN CANAL CONCRETE LINED SECTION TYPICAL PLAN AND SECTION	
JAPAN INTERNATIONAL COOPERATION AGENCY (JICA) SANYU CONSULTANTS INC, PACIFIC CONSULTANTS INTERNATIONAL	
DESIGNED	
TRACED	
CHECKED	
APPROVED	
DRAWING NO.	CCL-338



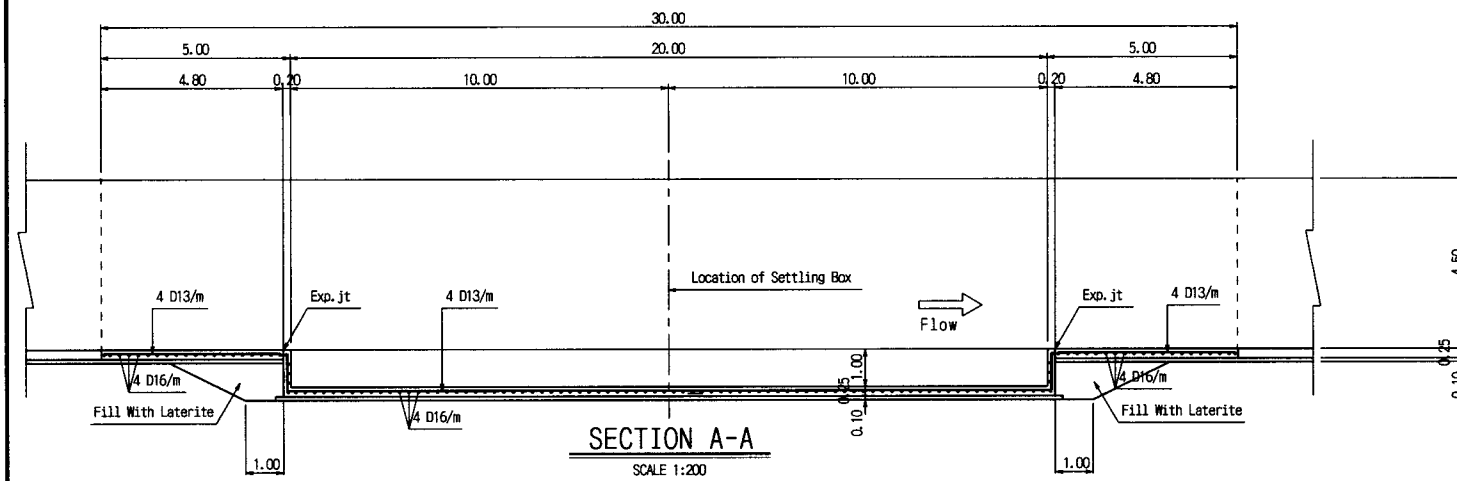
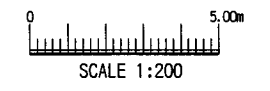
TYPICAL PLAN OF SETTLING BOX
SCALE 1:200



SECTION B-B
SCALE 1:200

LOCATION OF SETTLING BOX

No. 3 Open Canal			
1	KM 119.00	8	KM 126.00
2	KM 120.00	9	KM 127.00
3	KM 121.00	10	KM 128.00
4	KM 122.00	11	KM 129.00
5	KM 123.00	12	KM 130.00
6	KM 124.00	13	KM 131.00
7	KM 125.00	14	KM 132.00



SECTION A-A
SCALE 1:200

THE ARAB REPUBLIC OF EGYPT
MINISTRY OF WATER RESOURCES AND IRRIGATION
NORTH SINAI DEVELOPMENT ORGANIZATION

THE NORTH SINAI INTEGRATED RURAL
DEVELOPMENT PROJECT (PHASE III)

CONVEYANCE SYSTEM OF EL SHEIKH GABER EL SABBAAH CANAL
BETWEEN KM 118.560 AND KM 132.500

OPEN CANAL
SETTLING BOX
PLAN AND SECTIONS

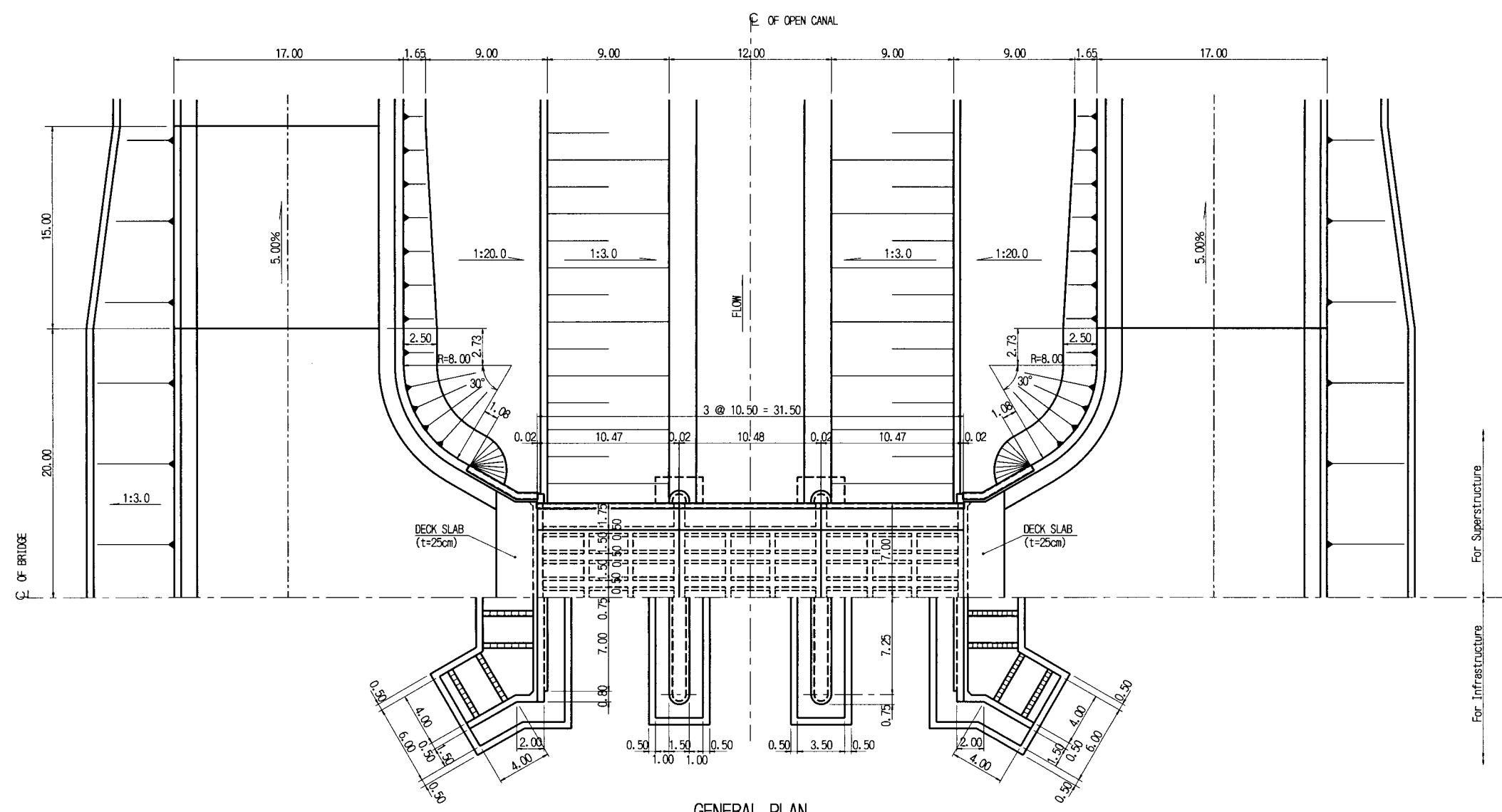
JAPAN INTERNATIONAL COOPERATION AGENCY (JICA)
SANYU CONSULTANTS INC, PACIFIC CONSULTANTS INTERNATIONAL

DESIGNED	
TRACED	
CHECKED	
APPROVED	
DRAWING NO.	CCL-339

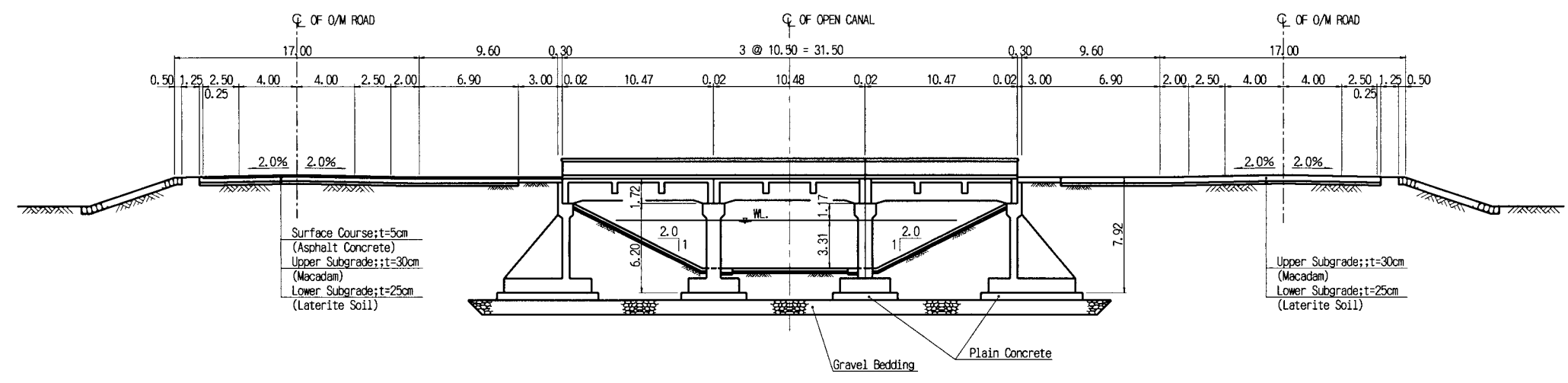
NOTES:

1. This drawing scale is 1:400.

SCALE 1:400



GENERAL PLAN
SCALE 1:400

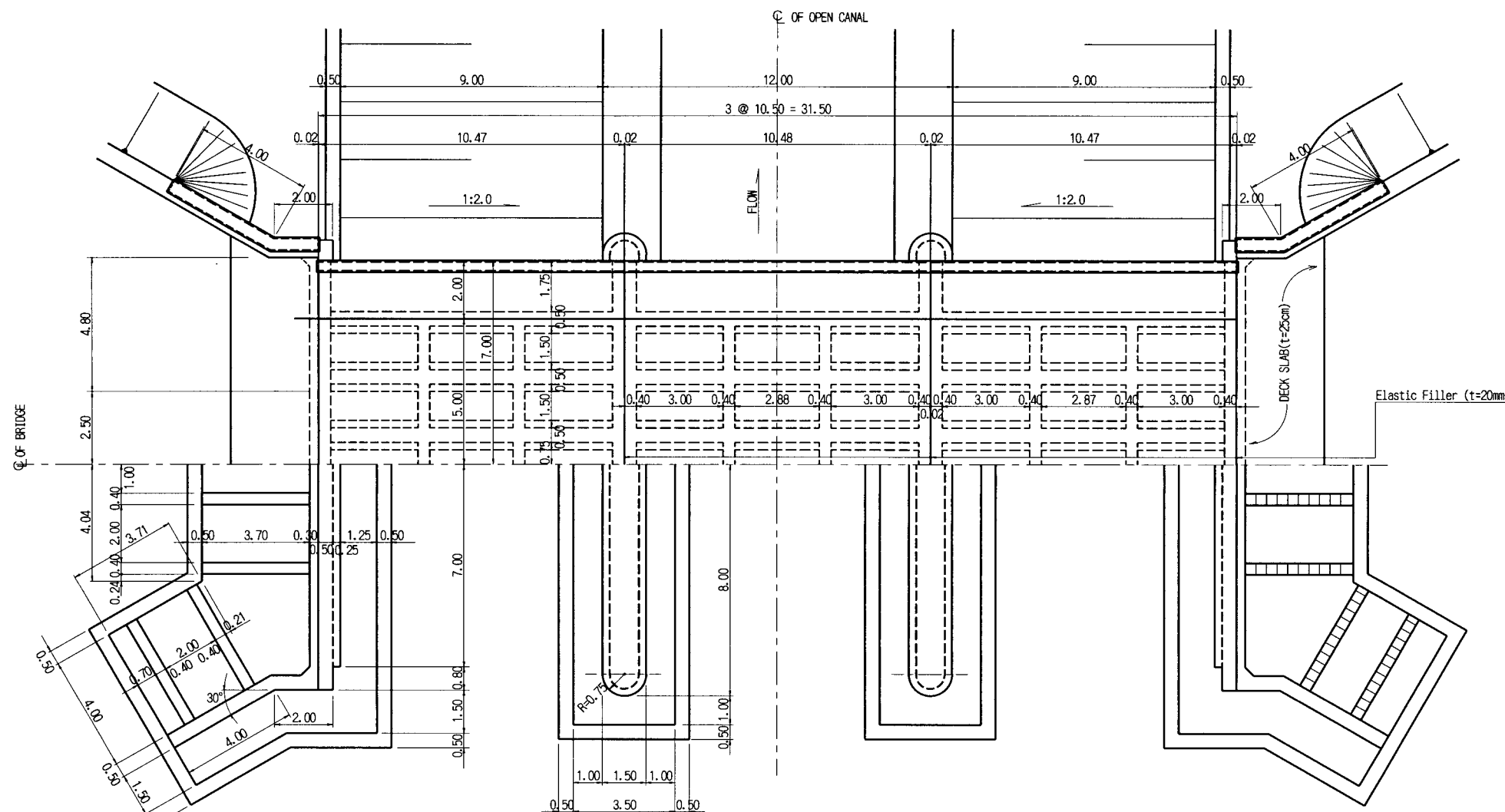
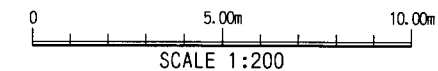


GENERAL ELEVATION
SCALE 1:400

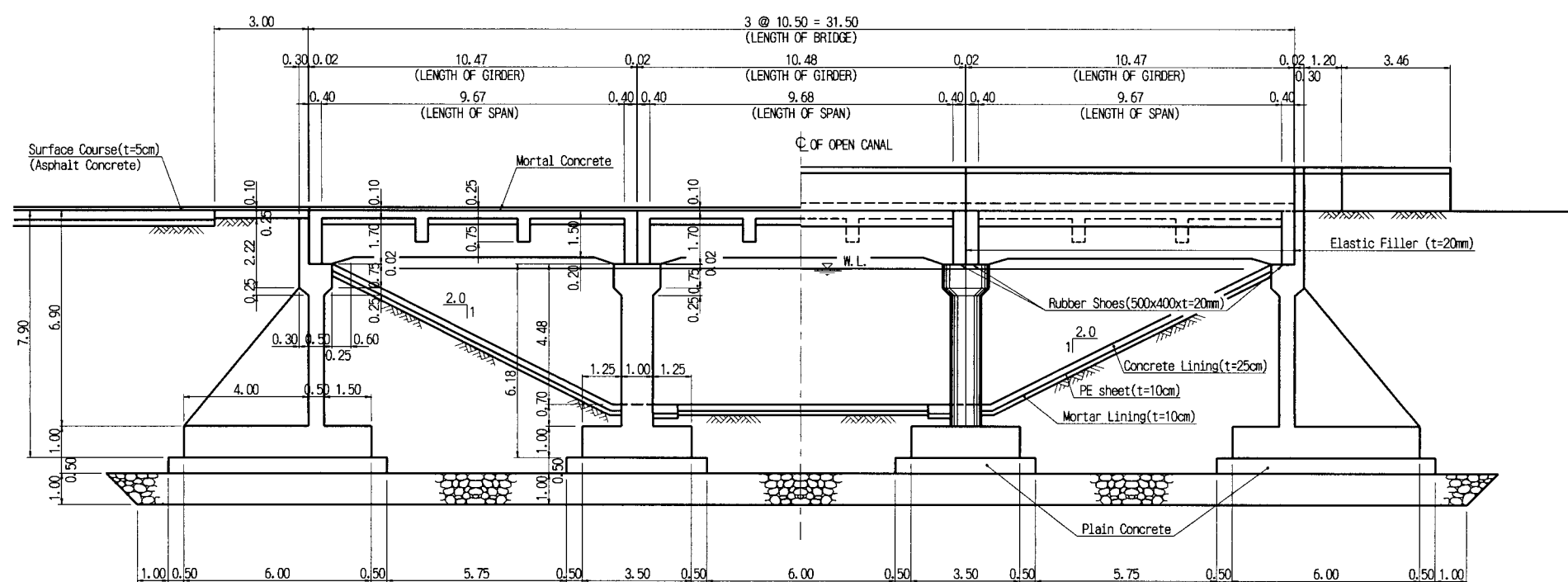
THE ARAB REPUBLIC OF EGYPT MINISTRY OF WATER RESOURCES AND IRRIGATION NORTH SINAI DEVELOPMENT ORGANIZATION	
THE NORTH SINAI INTEGRATED RURAL DEVELOPMENT PROJECT (PHASE III)	
CONVEYANCE SYSTEM OF EL SHEIKH GABER EL SABBABH CANAL BETWEEN KM 118.560 AND KM 132.500	
BRIDGE GENERAL PLAN AND ELEVATION	
JAPAN INTERNATIONAL COOPERATION AGENCY (JICA) SANYU CONSULTANTS INC, PACIFIC CONSULTANTS INTERNATIONAL	
DESIGNED	
TRACED	
CHECKED	
APPROVED	
DRAWING NO.	CCL-340

NOTES:

1. This drawing scale is 1:200.

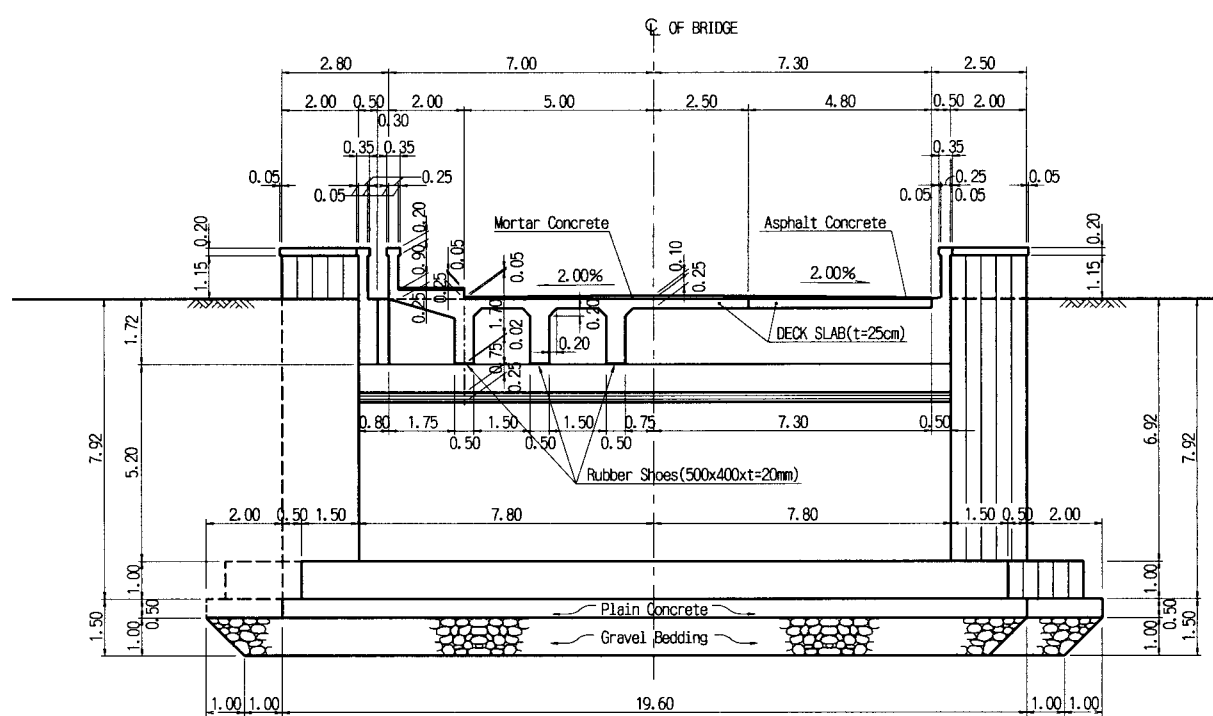


PLAN
SCALE 1:200

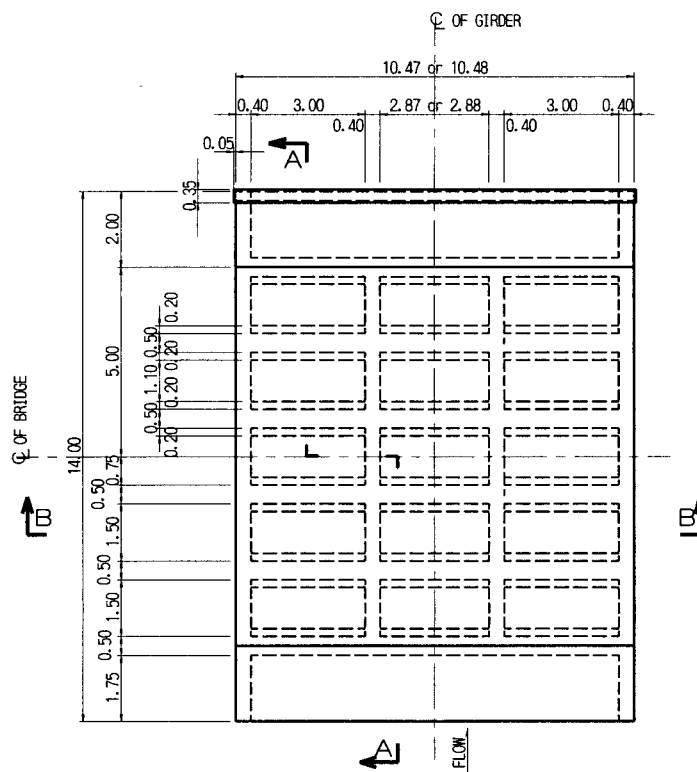


ELEVATION
SCALE 1:200

THE ARAB REPUBLIC OF EGYPT MINISTRY OF WATER RESOURCES AND IRRIGATION NORTH SINAI DEVELOPMENT ORGANIZATION	
THE NORTH SINAI INTEGRATED RURAL DEVELOPMENT PROJECT (PHASE III)	
CONVEYANCE SYSTEM OF EL SHEIKH GABER EL SABBABH CANAL BETWEEN KM 118.560 AND KM 132.500	
BRIDGE DETAILED PLAN AND ELEVATION	
JAPAN INTERNATIONAL COOPERATION AGENCY (JICA) SANYU CONSULTANTS INC, PACIFIC CONSULTANTS INTERNATIONAL	
DESIGNED	
TRACED	
CHECKED	
APPROVED	
DRAWING NO.	CCL-341

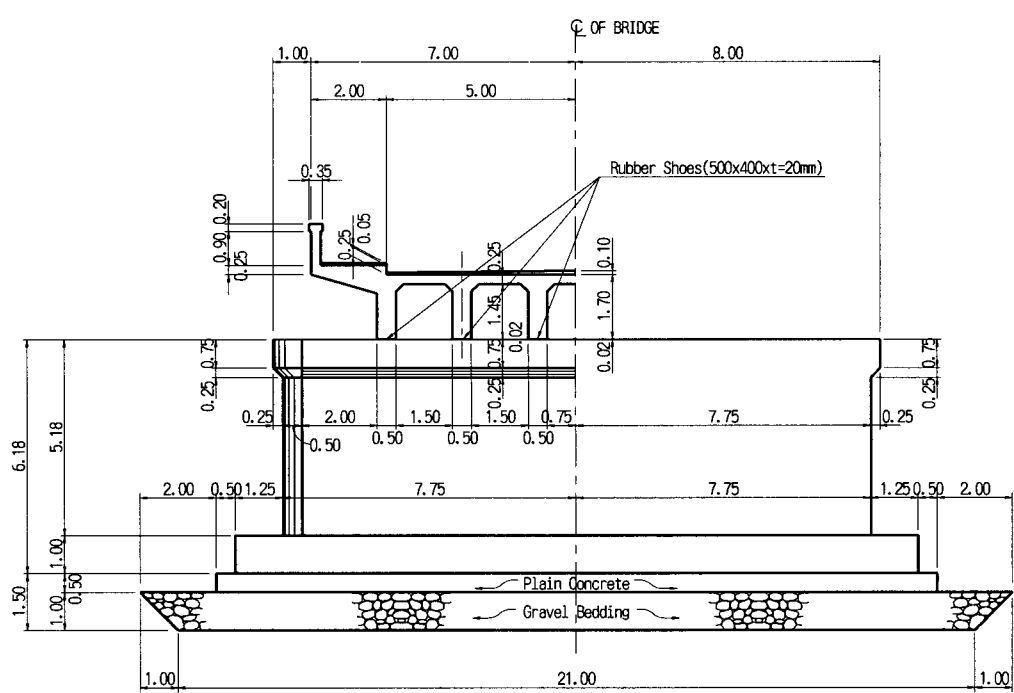


ELEVATION OF ABUTMENT
SCALE 1:200

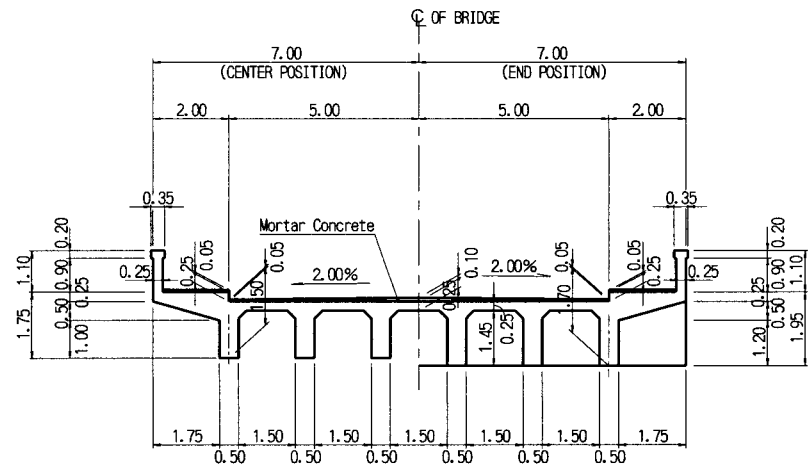


PLAN OF SUPERSTRUCTURE
SCALE 1:200

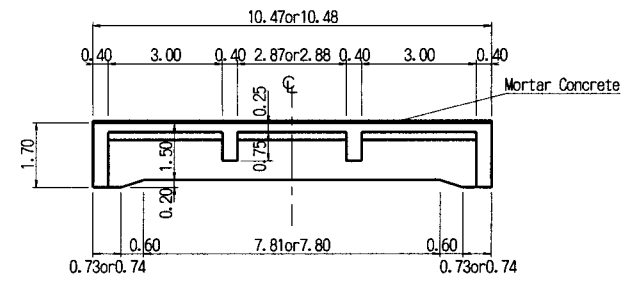
NOTES:
1. This drawing scale is 1:100.
0 5.00m 10.00m
SCALE 1:200



ELEVATION OF PIER
SCALE 1:200

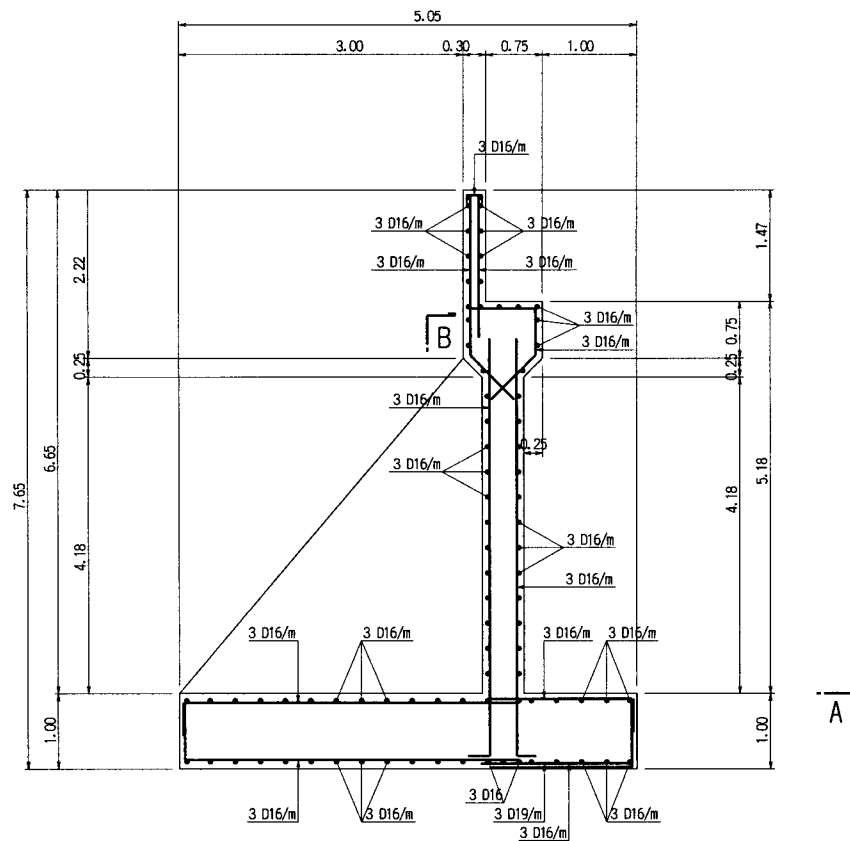


SECTION A-A
SCALE 1:200

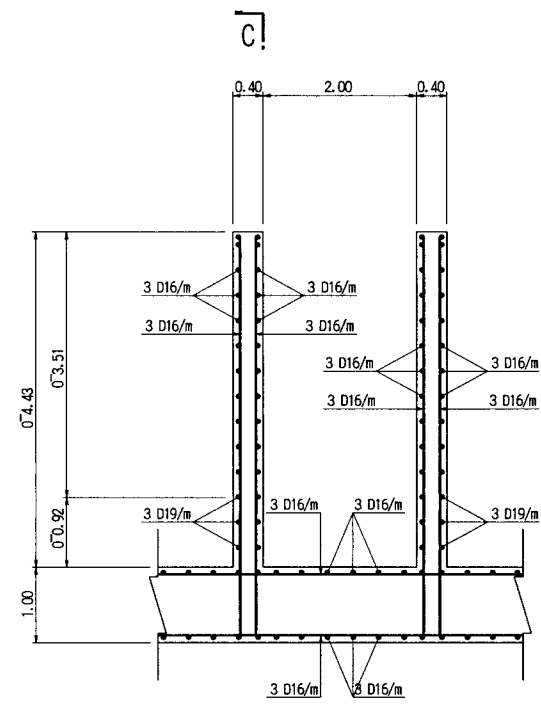


SECTION B-B
SCALE 1:200

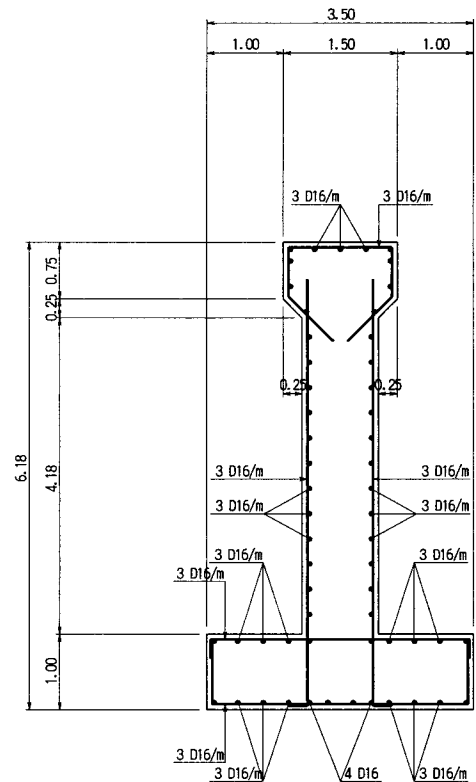
THE ARAB REPUBLIC OF EGYPT MINISTRY OF WATER RESOURCES AND IRRIGATION NORTH SINAI DEVELOPMENT ORGANIZATION	
THE NORTH SINAI INTEGRATED RURAL DEVELOPMENT PROJECT (PHASE III)	
CONVEYANCE SYSTEM OF EL SHEIKH GABER EL SABBABH CANAL BETWEEN KM 118.560 AND KM 132.500	
BRIDGE DETAILED SECTIONS	
JAPAN INTERNATIONAL COOPERATION AGENCY (JICA) SANYU CONSULTANTS INC. PACIFIC CONSULTANTS INTERNATIONAL	
DESIGNED	
TRACED	
CHECKED	
APPROVED	
DRAWING NO.	CCL-342



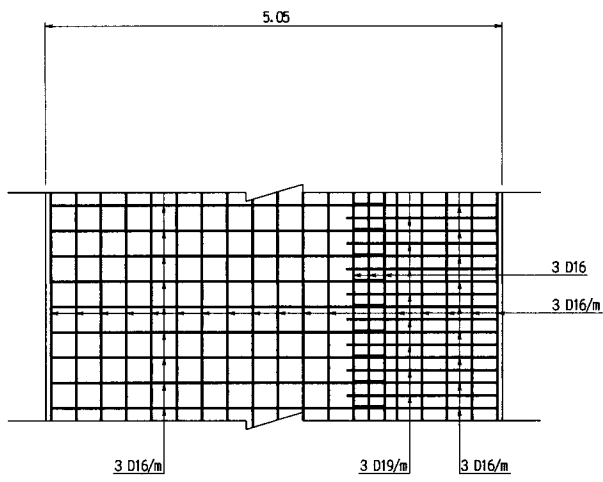
ABUTMENT
SCALE 1:100



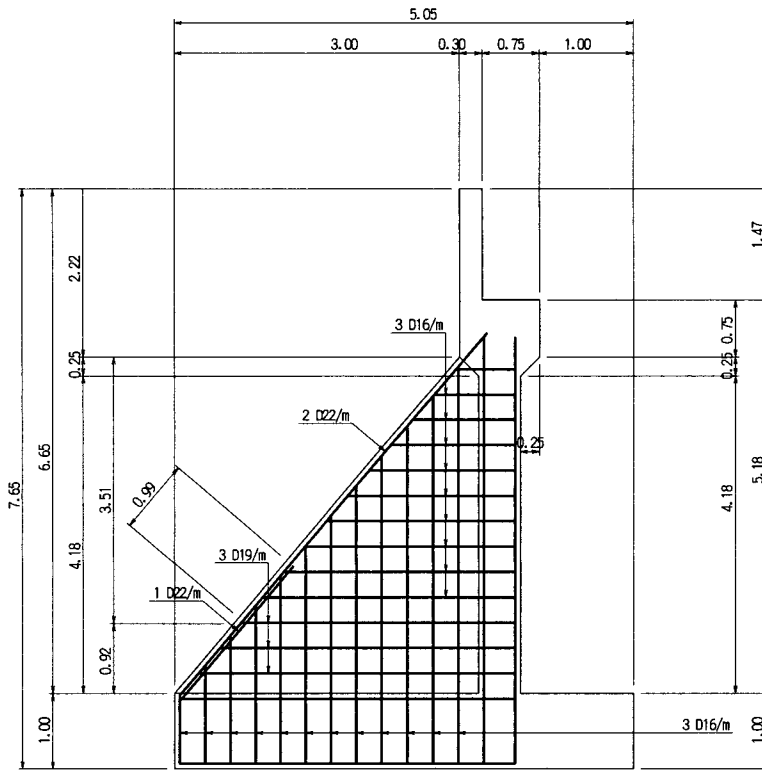
SECTION B-B
SCALE 1:100



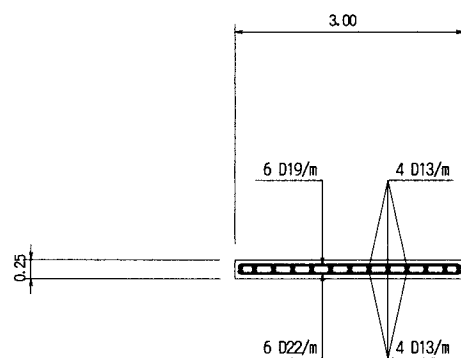
PIER
SCALE 1:100



SECTION A-A
SCALE 1:100

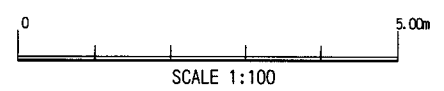


SECTION C-C
SCALE 1:100

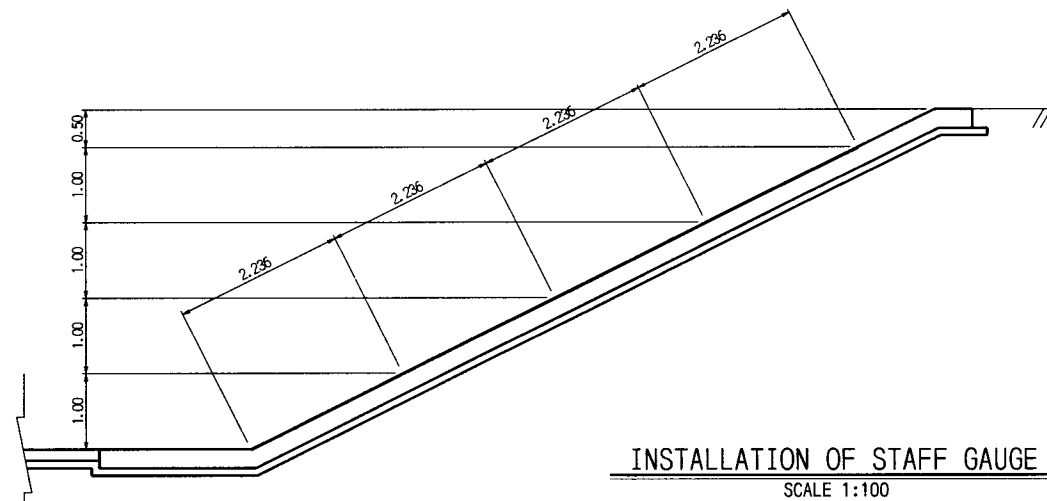
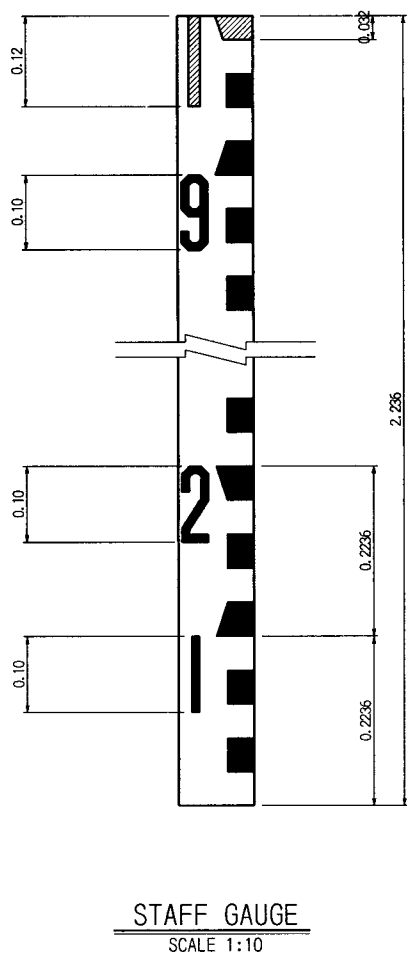
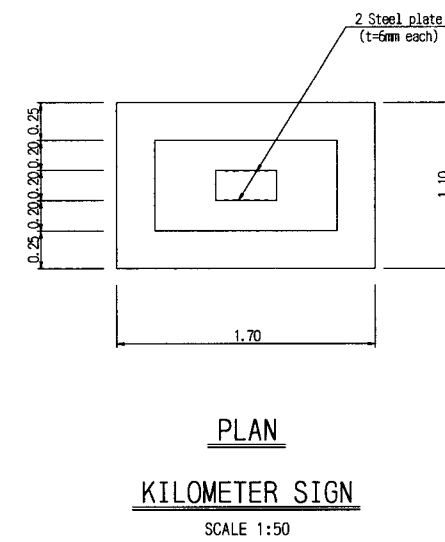
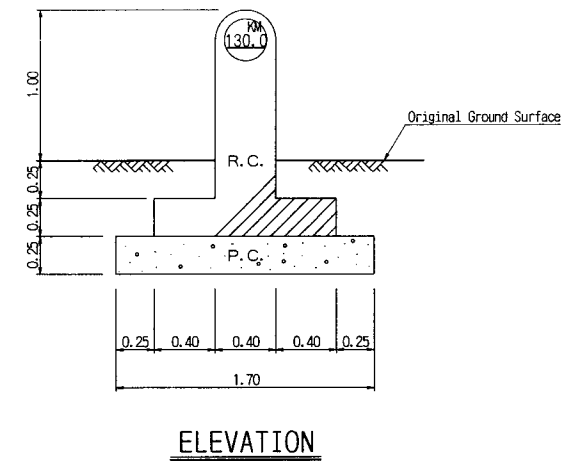
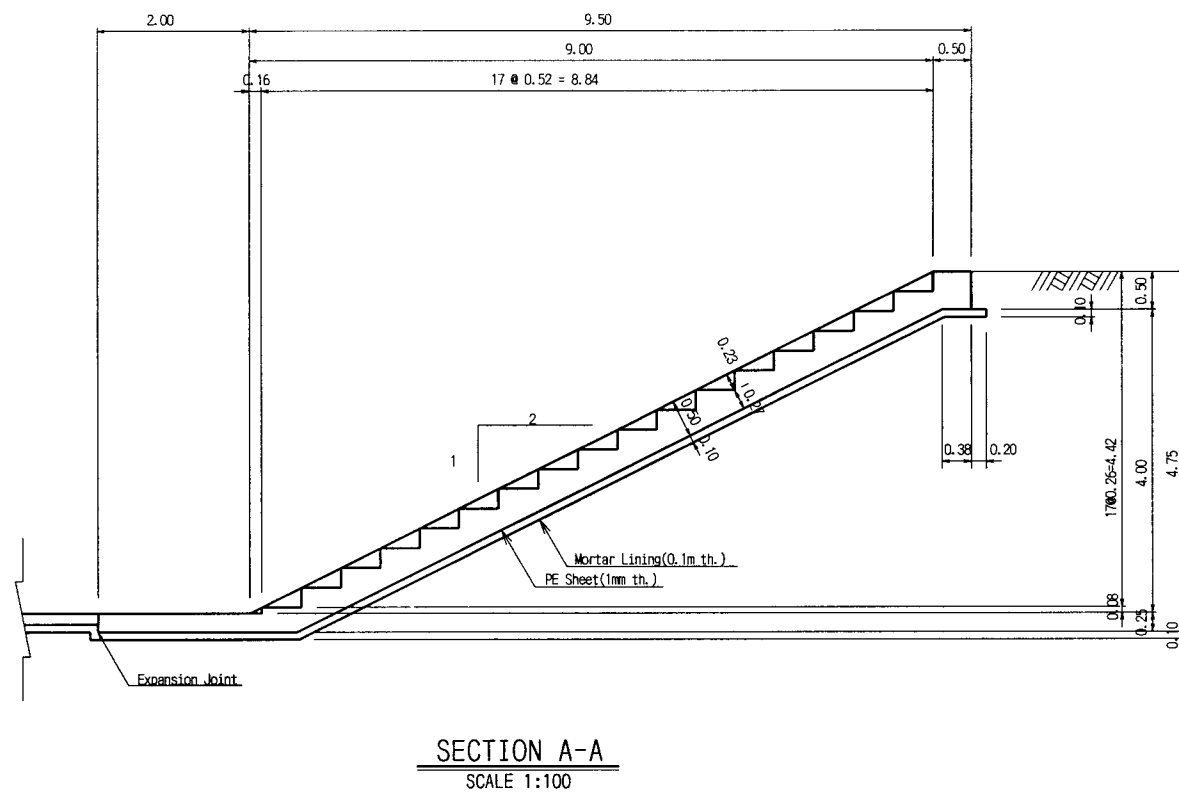
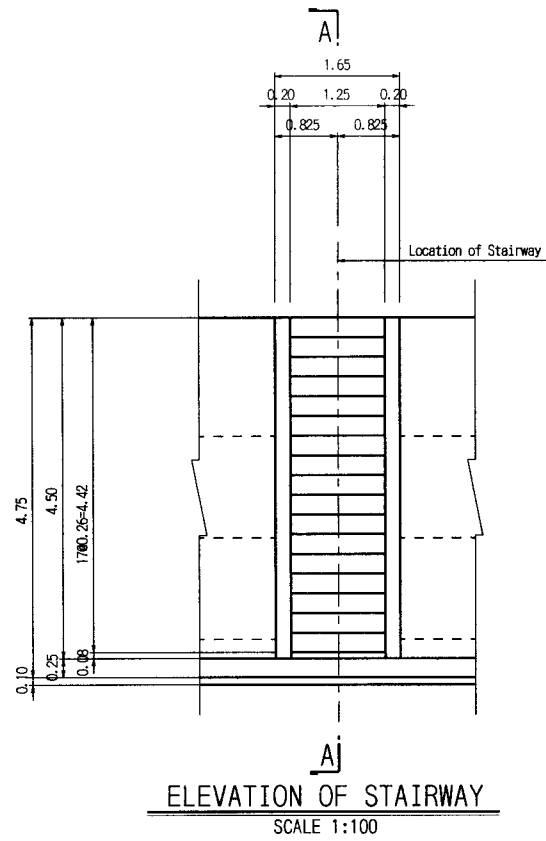


DECK SLAB
SCALE 1:100

NOTES:
1. This drawing scale is as follows:



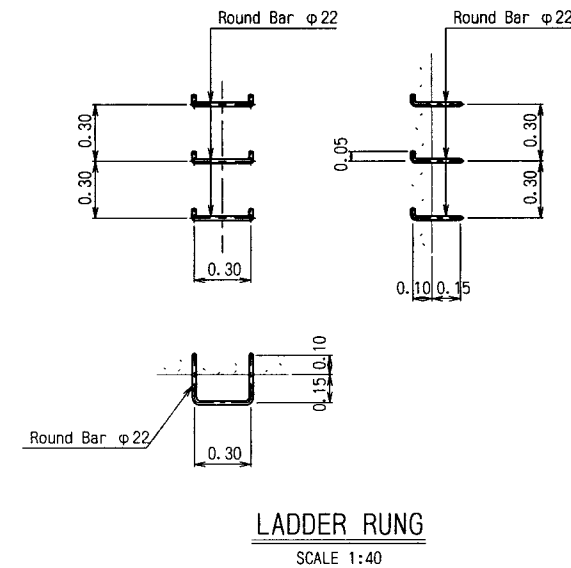
THE ARAB REPUBLIC OF EGYPT MINISTRY OF WATER RESOURCES AND IRRIGATION NORTH SINAI DEVELOPMENT ORGANIZATION	
THE NORTH SINAI INTEGRATED RURAL DEVELOPMENT PROJECT (PHASE III)	
CONVEYANCE SYSTEM OF EL SHEIKH GABER EL SABBAB CANAL BETWEEN KM 118.560 AND KM 132.500	
BRIDGE INFRASTRUCTURE REINFORCEMENT	
JAPAN INTERNATIONAL COOPERATION AGENCY (JICA) SANYU CONSULTANTS INC, PACIFIC CONSULTANTS INTERNATIONAL	
DESIGNED	
TRACED	
CHECKED	
APPROVED	
DRAWING NO.	CCL-343



LOCATION OF STAIRWAYS AND STAFF GAUGES

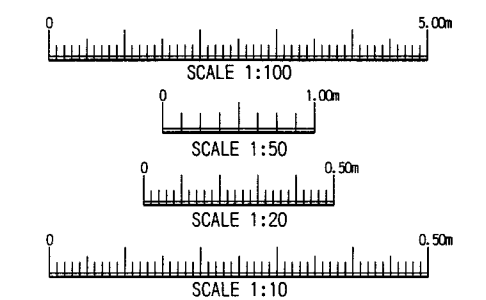
LOCATION	STAIRWAY (BOTH BANKS)	STAFF GAUGE (LEFT BANK ONLY)	LOCATION	STAIRWAY (BOTH BANKS)	STAFF GAUGE (LEFT BANK ONLY)
KM 118.58	○		KM 126.00	○	
KM 119.00	○		KM 126.50	○	
KM 119.50	○		KM 127.00	○	
KM 120.00	○		KM 127.50	○	
KM 120.50	○		KM 128.00	○	○
KM 121.00	○		KM 128.50	○	
KM 121.50	○		KM 129.00	○	
KM 122.00	○		KM 129.50	○	
KM 122.50	○		KM 130.00	○	
KM 123.00	○	○	KM 130.50	○	
KM 123.50	○		KM 131.00	○	
KM 124.00	○		KM 131.50	○	
KM 124.50	○		KM 132.00	○	
KM 125.00	○		KM 132.38	○	○
KM 125.50	○				

In addition, vertical Staff gauges shall be installed in the piers of No.1 - No.3 bridges.



NOTES:

1. Scale:



2. Location of staff gauges are subject to the Employer's approval

THE ARAB REPUBLIC OF EGYPT MINISTRY OF WATER RESOURCES AND IRRIGATION NORTH SINAI DEVELOPMENT ORGANIZATION	
THE NORTH SINAI INTEGRATED RURAL DEVELOPMENT PROJECT (PHASE III)	
CONVEYANCE SYSTEM OF EL SHEIKH GABER EL SABBABH CANAL BETWEEN KM 118.560 AND KM 132.500	
DETAILS	
STAIRWAY, STAFF GAUGE, LADDER RUNG AND KILOMETER SIGN	
JAPAN INTERNATIONAL COOPERATION AGENCY (JICA) SANYU CONSULTANTS INC, PACIFIC CONSULTANTS INTERNATIONAL	
DESIGNED	
TRACED	
CHECKED	
APPROVED	
DRAWING NO.	CCL-345