

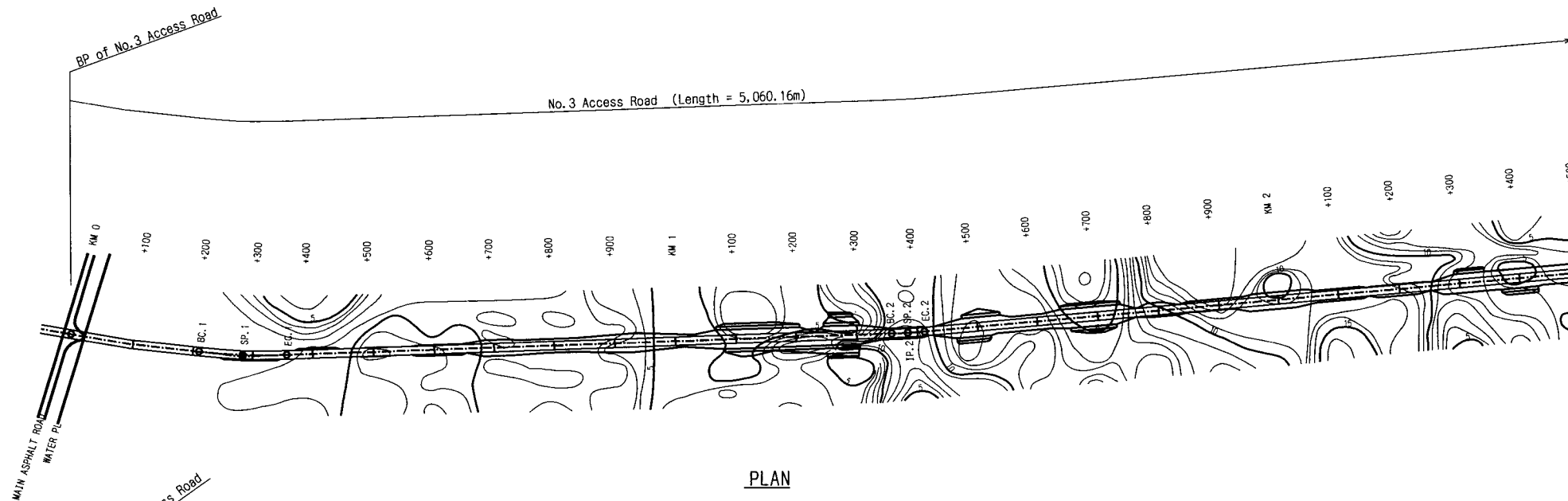
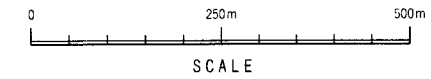
NOTES:

1. The location of curvatures on the No.3 Access Road route are shown as follows;

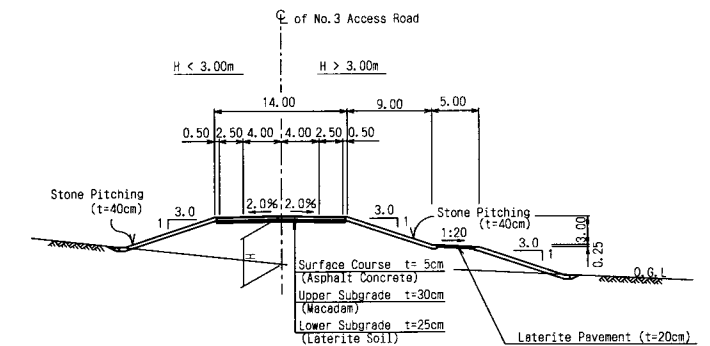
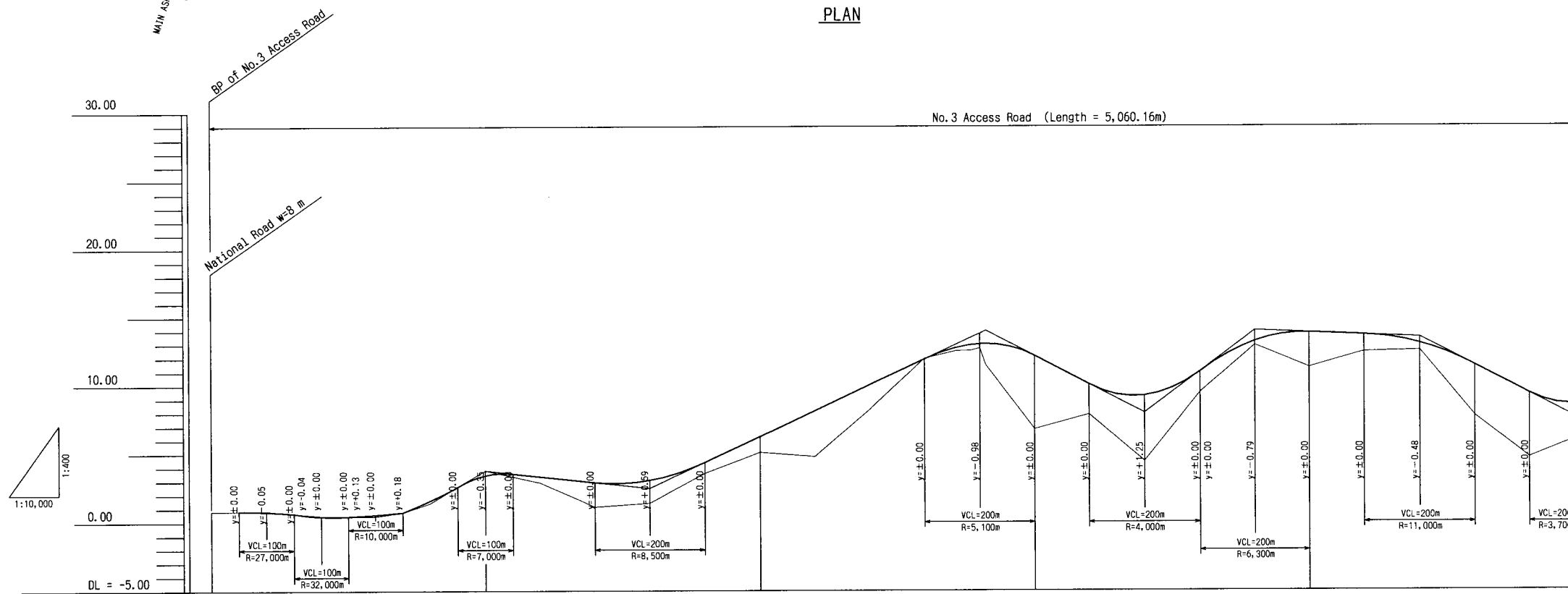
Principal peg	Distance (M)	Principal peg	Distance (M)
BP	0.00	BC-2	1,357.18
BC-1	209.68	SP-2	1,384.09
SP-1	283.27	EC-2	1,411.00
EC-1	356.86		

2. EP of No.3 Access Road intersects in KM107.92626 with the conveyance canal.

3. This drawing scale of the plan and horizontal profile are as follows:



PLAN



TYPICAL CROSS SECTION

S=1/800

DISTANCE (KM)	BP	0.100	0.200	0.300	0.400	0.500	0.600	0.700	0.800	0.900	1.000	1.100	1.200	1.300	1.400	1.500	1.600	1.700	1.800	1.900	2.000	2.100	2.200	2.300	2.400	2.500		
ORIGINAL GROUND SURFACE	0.84	0.86	0.51	0.47	0.81	1.43	3.81	2.91	1.15	3.59	5.12	4.79	8.22	11.98	12.52	12.55	11.49	6.80	7.87	4.44	9.48	12.93	11.29	12.43	12.53	7.74	4.68	6.27
TOP OF ACCESS ROAD	0.84	0.81	0.47	0.60	1.61	3.46	3.37	2.94	3.09	4.42	6.33	8.25	10.17	12.08	13.02	12.00	10.00	9.25	11.00	13.21	13.88	13.67	13.04	11.43	9.36	8.56		
LONGITUDINAL GRADIENT	I=0.02% L=100	I=0.35% L=100	I=0.04% L=100	I=0.96% L=100	I=2.38% L=100	I=0.44% L=300	I=1.92% L=600	I=0.44% L=300	I=2.00% L=300	I=3.00% L=200	I=0.17% L=300	I=2.07% L=300	I=0.17% L=300	I=2.07% L=300	I=0.17% L=300	I=2.07% L=300	I=0.17% L=300	I=2.07% L=300	I=0.17% L=300	I=2.07% L=300	I=0.17% L=300	I=2.07% L=300	I=0.17% L=300	I=2.07% L=300	I=0.17% L=300	I=2.07% L=300	I=0.17% L=300	I=2.07% L=300
CURVE ARRANGEMENT	IP-1, IA=8 26' 00", R=1,000 m, TL=73.73m, CL=147.18m, SL=2.71m															IP-2, IA=3 05' 03", R=1,000 m, TL=26.92m, CL=53.82m, SL=0.36m												
SUPER ELEVATION	-2.00% (L) to 2.00% (R) transition over 100.00m															-2.00% (L) to 2.00% (R) transition over 100.00m												

PROFILE

THE ARAB REPUBLIC OF EGYPT
 MINISTRY OF WATER RESOURCES AND IRRIGATION
 NORTH SINAI DEVELOPMENT ORGANIZATION

THE NORTH SINAI INTEGRATED RURAL DEVELOPMENT PROJECT(PHASE III)

CONVEYANCE SYSTEM OF EL SHEIKH GABER EL SABBAAH CANAL
 BETWEEN KM 108.466 AND KM 118.560
 EL SALAAM No.7(BIR EL ABD)PUMPING STATION

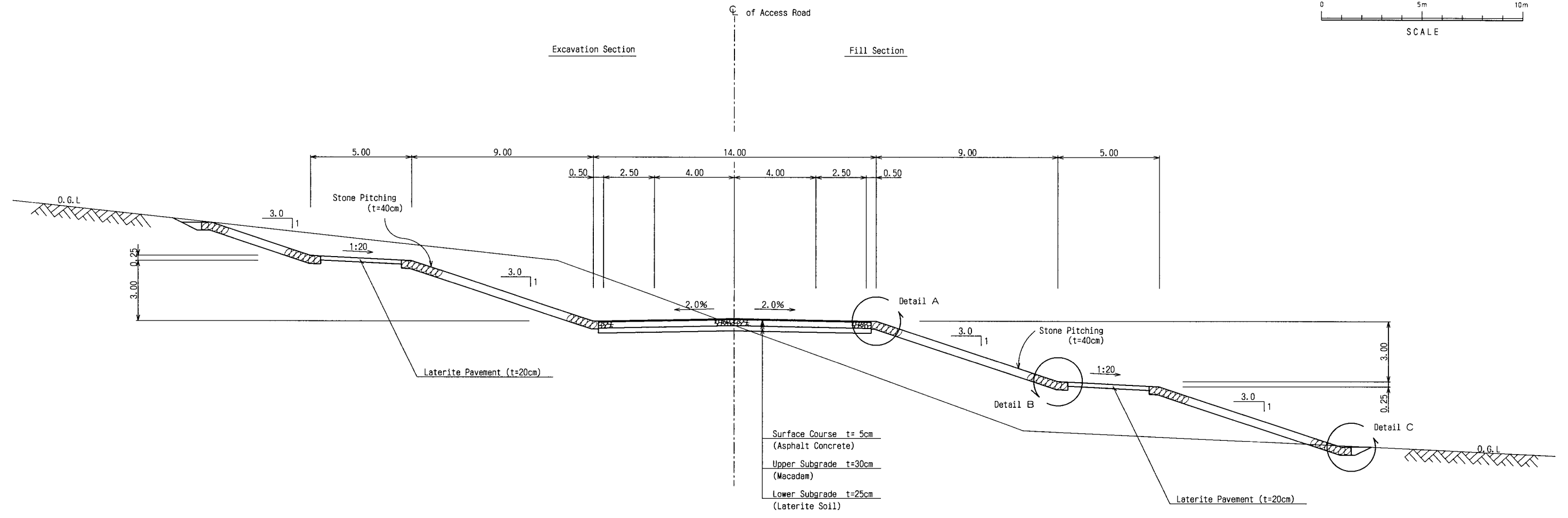
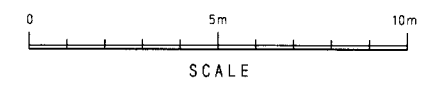
NO.3 ACCESS ROAD
 PLAN AND PROFILE (1/2)
 BETWEEN BP AND KM 2.50

JAPAN INTERNATIONAL COOPERATION AGENCY(JICA)
 SANYU CONSULTANTS INC, PACIFIC CONSULTANTS INTERNATIONAL

DESIGNED	
TRACED	
CHECKED	
APPROVED	
DRAWING NO.	OMR-201

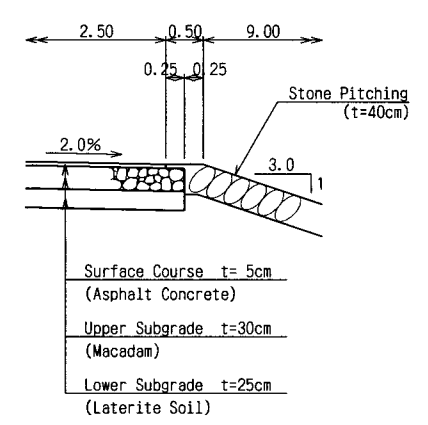
NOTES:

1. This drawing scale is S=1:200

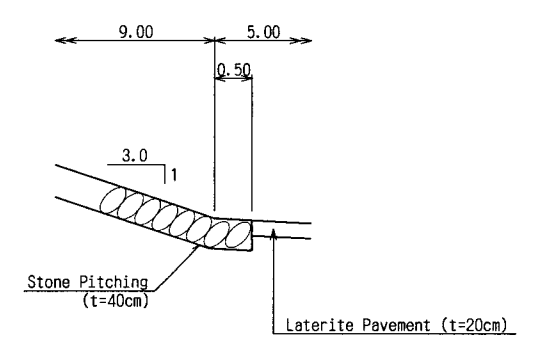


- Surface Course t= 5cm
(Asphalt Concrete)
- Upper Subgrade t=30cm
(Macadam)
- Lower Subgrade t=25cm
(Laterite Soil)

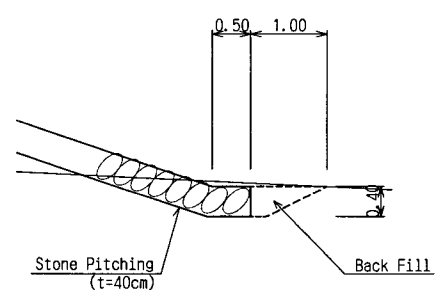
TYPICAL CROSS SECTION



DETAIL A



DETAIL B

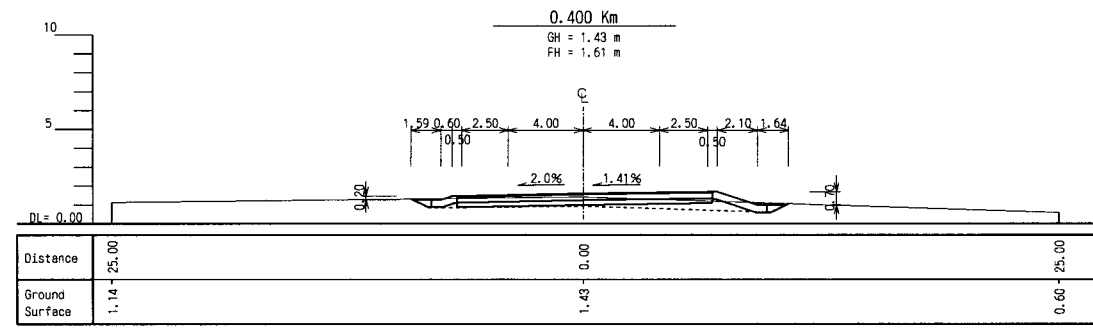
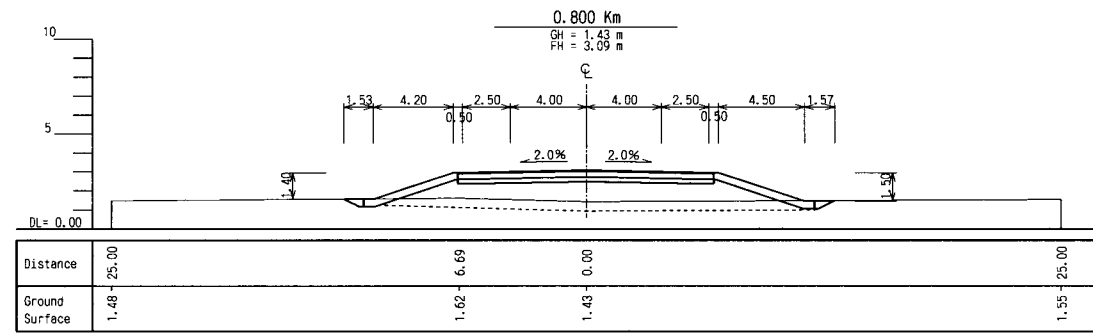
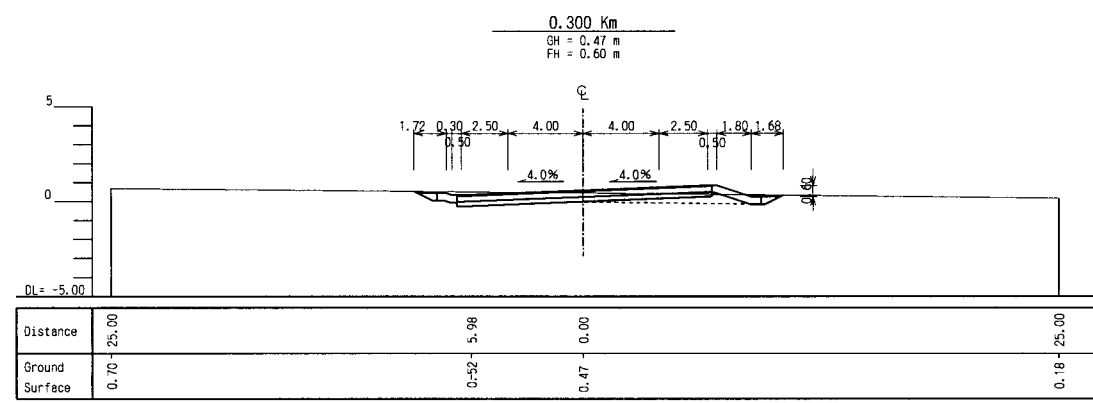
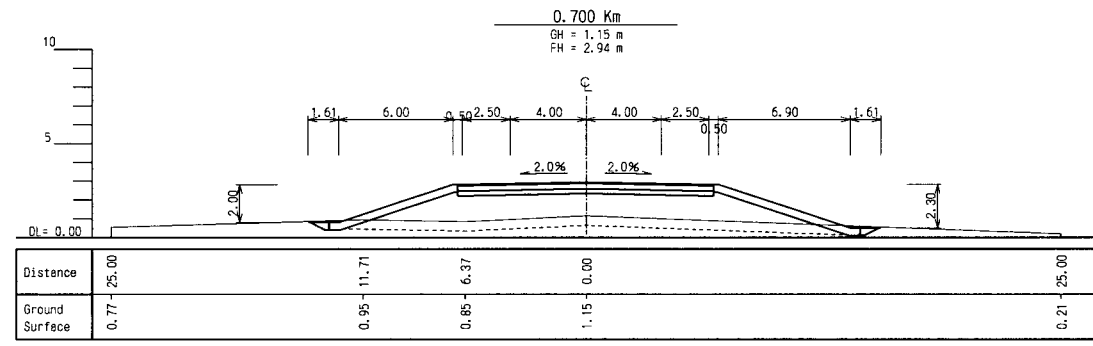
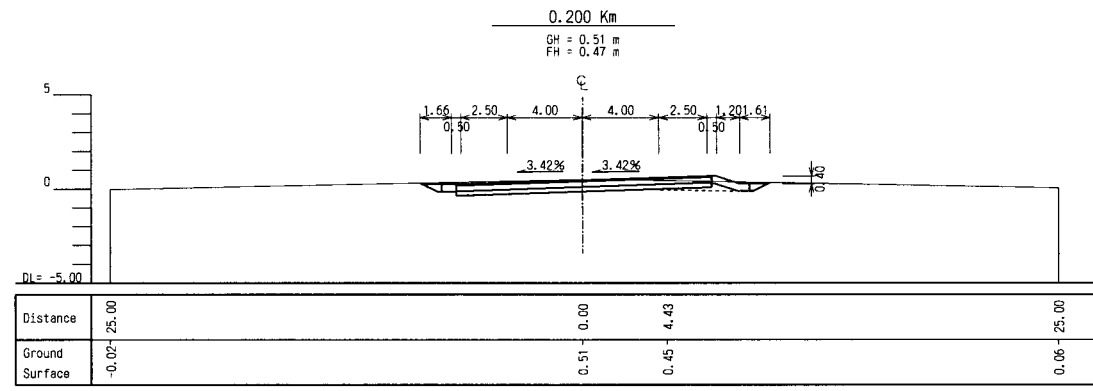
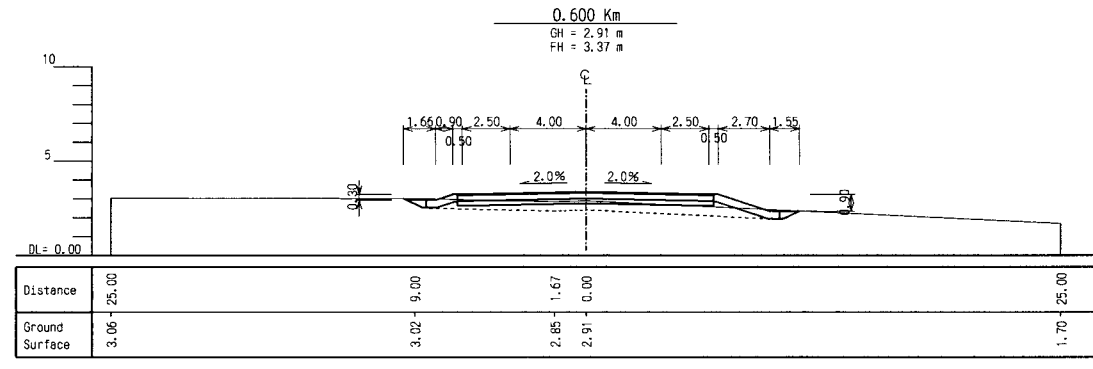
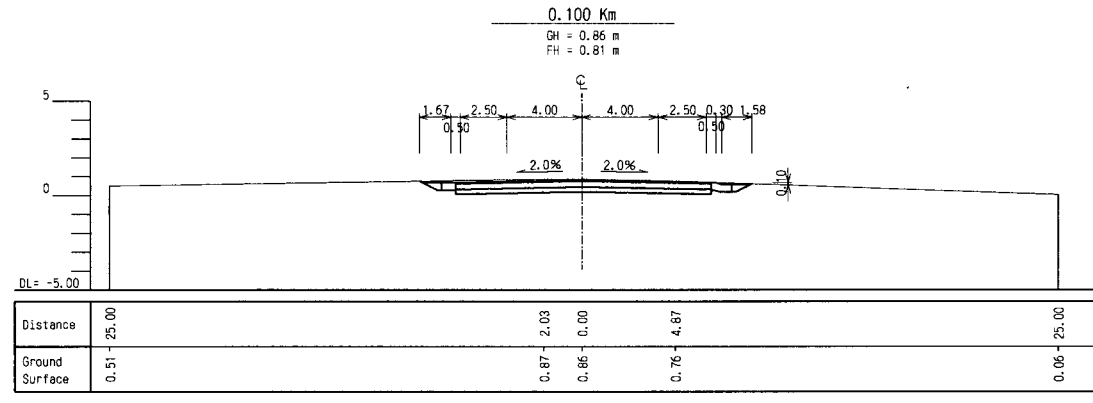
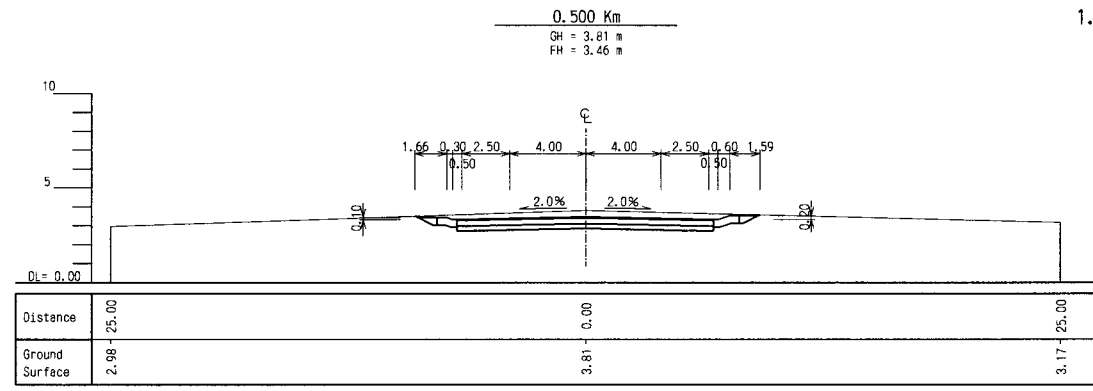
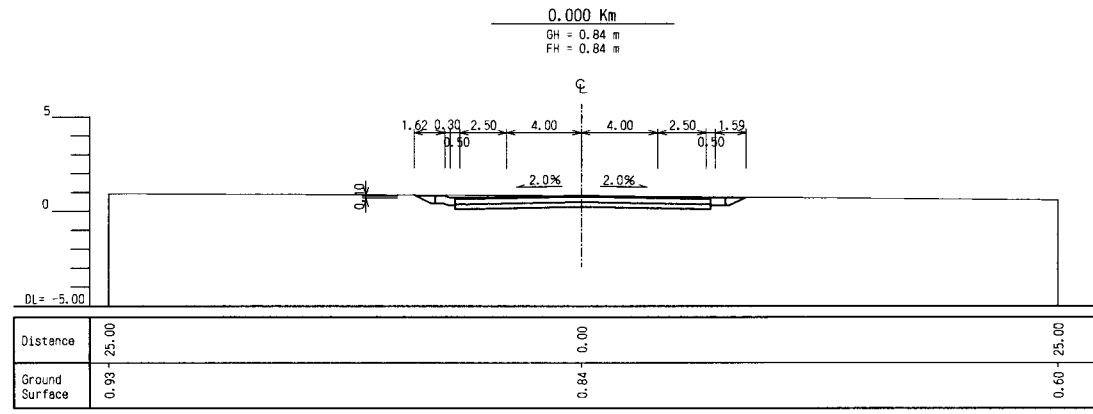
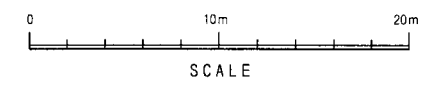


DETAIL C

THE ARAB REPUBLIC OF EGYPT MINISTRY OF WATER RESOURCES AND IRRIGATION NORTH SINAI DEVELOPMENT ORGANIZATION THE NORTH SINAI INTEGRATED RURAL DEVELOPMENT PROJECT (PHASE III) CONVEYANCE SYSTEM OF EL SHEIKH GABER EL SABBABH CANAL BETWEEN KM 108.466 AND KM 118.560 EL SALAAM No. 7 (BIR EL ABD) PUMPING STATION NO. 3 ACCESS ROAD TYPICAL CROSS SECTION	
JAPAN INTERNATIONAL COOPERATION AGENCY (JICA) SANYU CONSULTANTS INC, PACIFIC CONSULTANTS INTERNATIONAL	
DESIGNED	
TRACED	
CHECKED	
APPROVED	
DRAWING NO.	OMR-203

NOTES:

1. This drawing scale is S=1:400



THE ARAB REPUBLIC OF EGYPT
MINISTRY OF WATER RESOURCES AND IRRIGATION
NORTH SINAI DEVELOPMENT ORGANIZATION

THE NORTH SINAI INTEGRATED RURAL
DEVELOPMENT PROJECT(PHASE III)

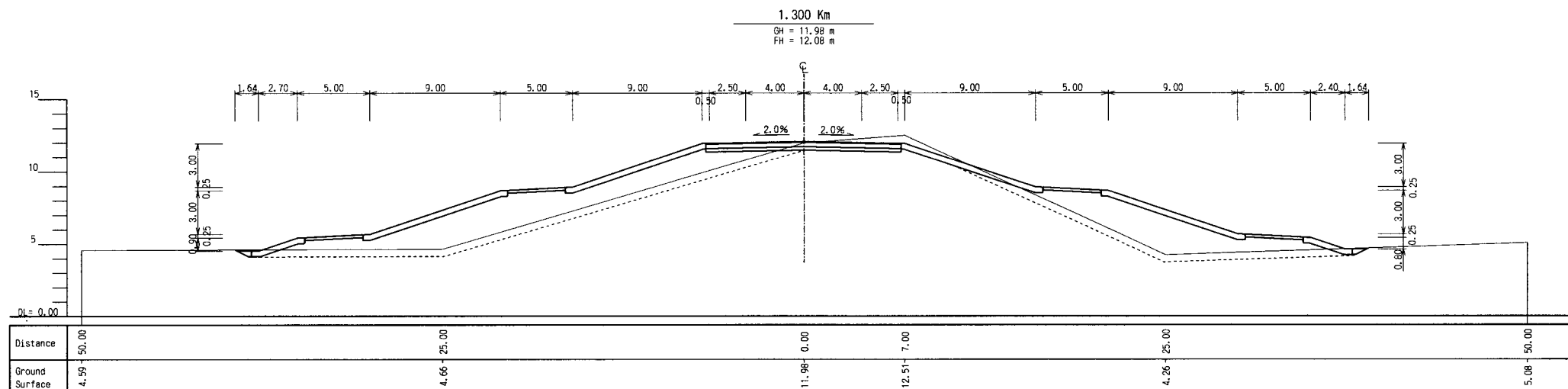
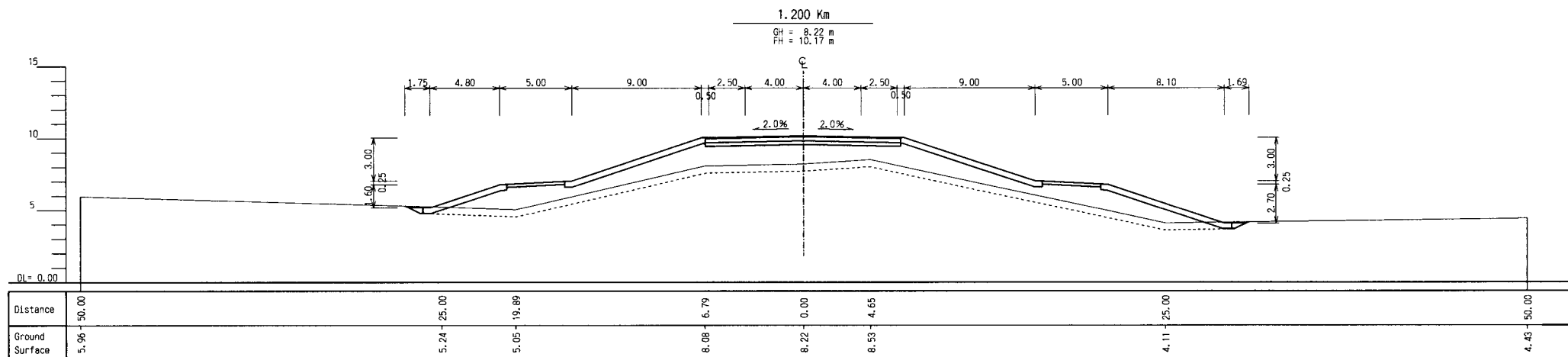
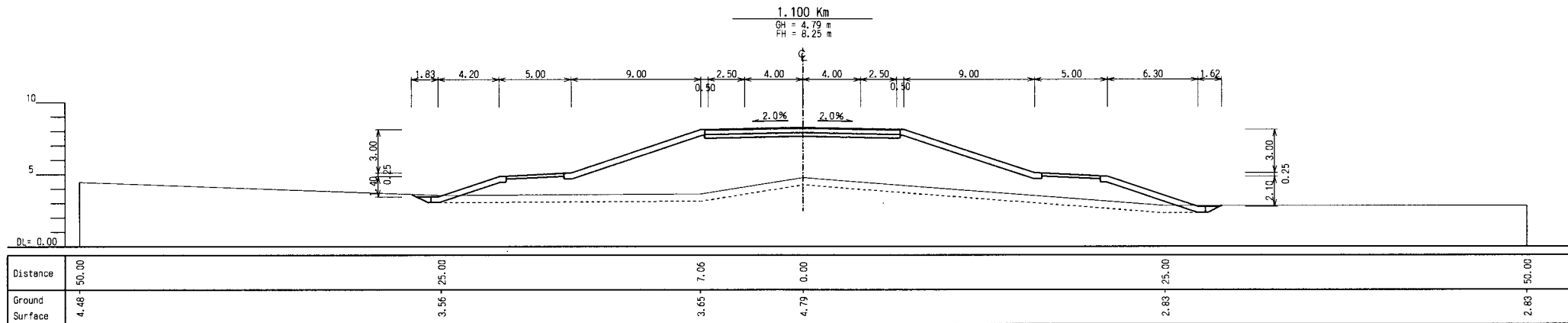
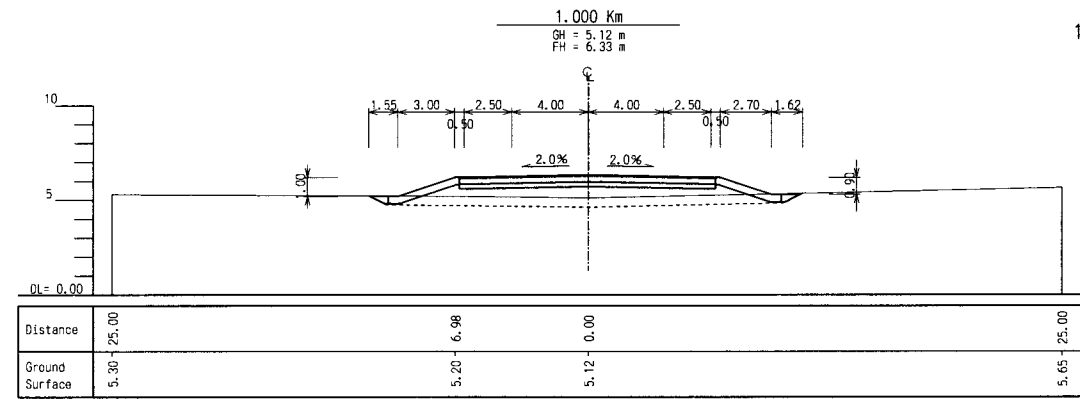
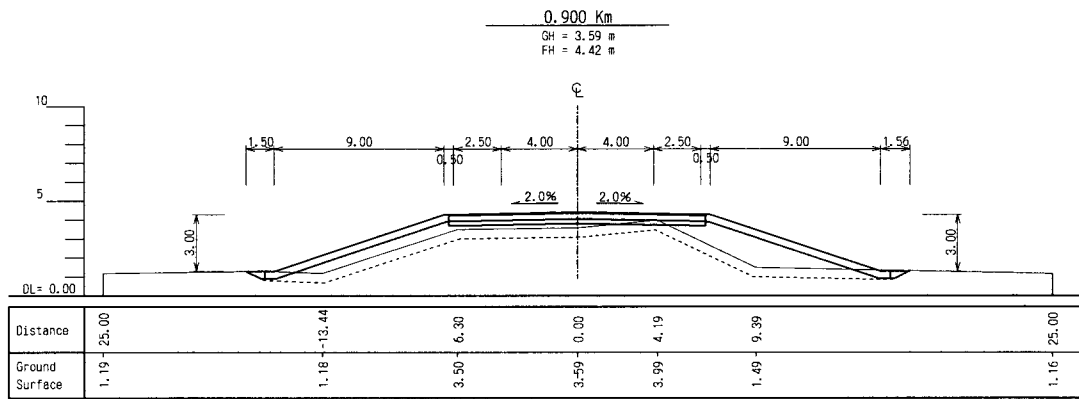
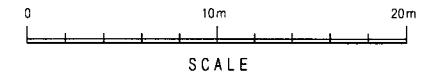
CONVEYANCE SYSTEM OF EL SHEIKH GABER EL SABBABH CANAL
BETWEEN KM 108.466 AND KM 118.560
EL SALAAM No.7(BIR EL ABD)PUMPING STATION
NO.3 ACCESS ROAD
CROSS SECTION (1/8)
BETWEEN KM. 0.000 AND KM. 0.800

JAPAN INTERNATIONAL COOPERATION AGENCY(JICA)
SANYU CONSULTANTS INC,PACIFIC CONSULTANTS INTERNATIONAL

DESIGNED	
TRACED	
CHECKED	
APPROVED	
DRAWING NO.	OMR-204

NOTES:

1. This drawing scale is S=1:400



THE ARAB REPUBLIC OF EGYPT
MINISTRY OF WATER RESOURCES AND IRRIGATION
NORTH SINAI DEVELOPMENT ORGANIZATION

THE NORTH SINAI INTEGRATED RURAL
DEVELOPMENT PROJECT (PHASE III)

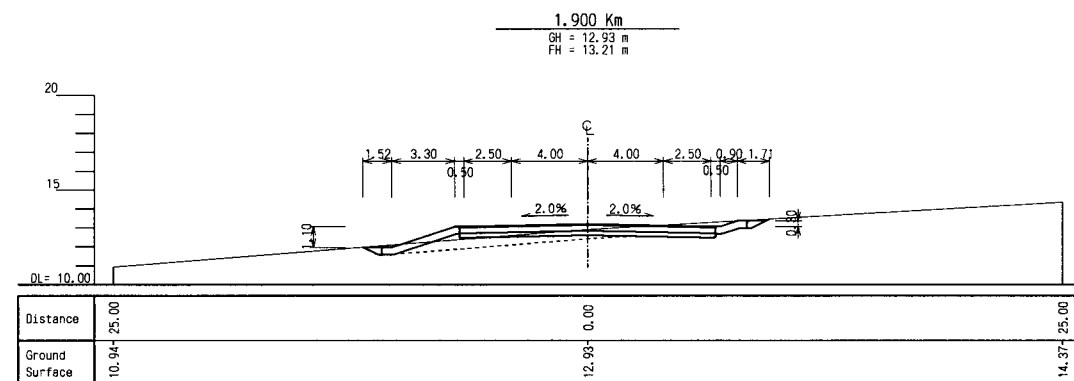
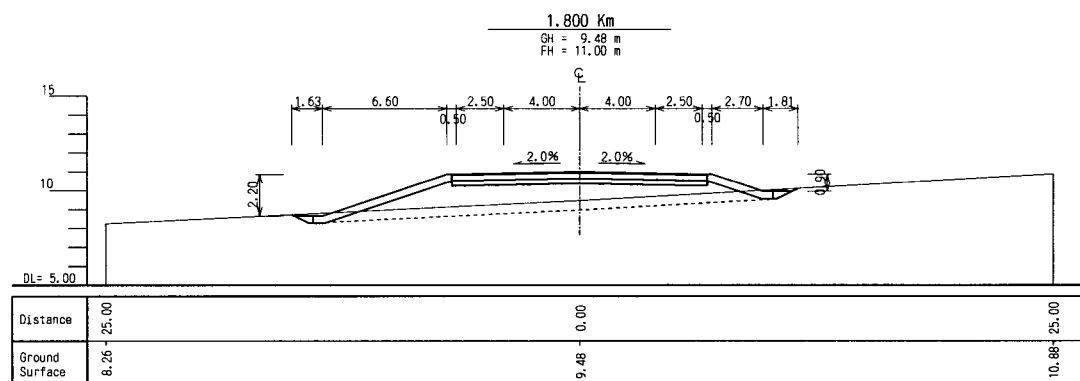
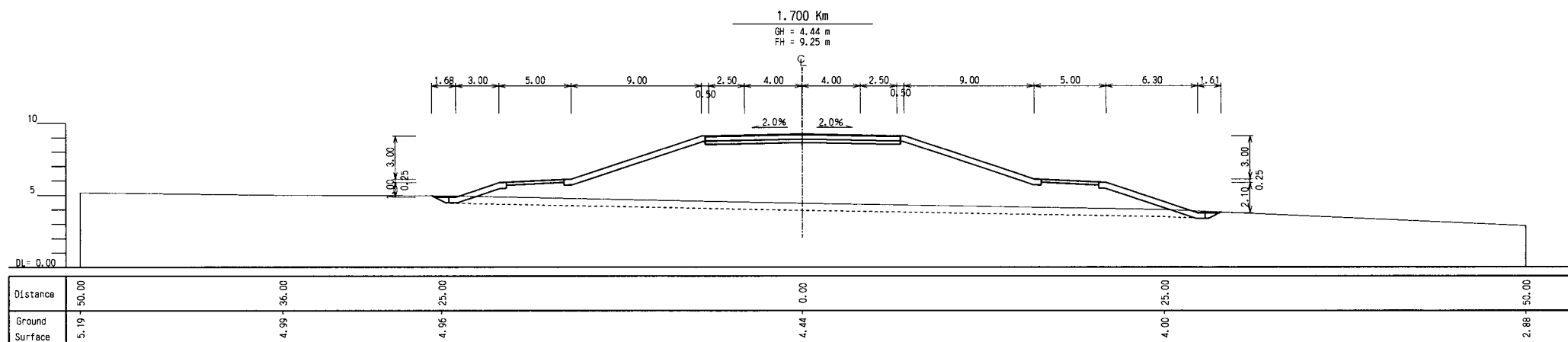
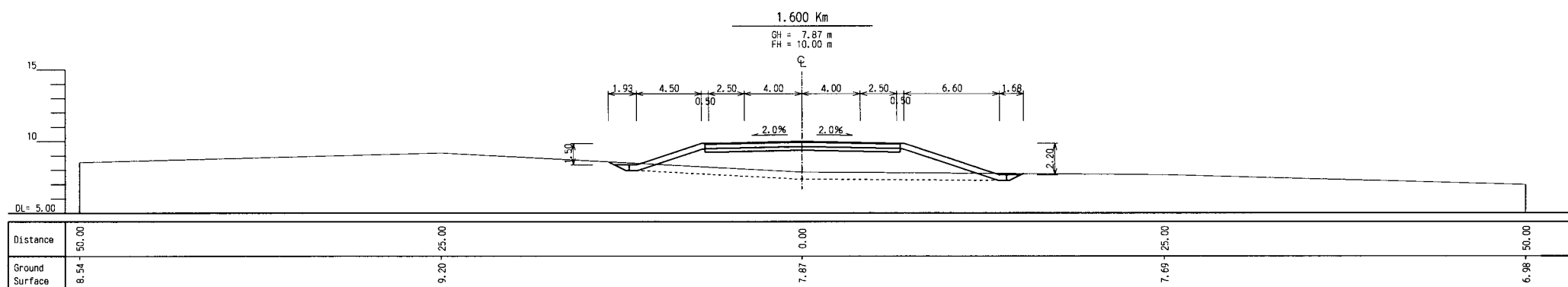
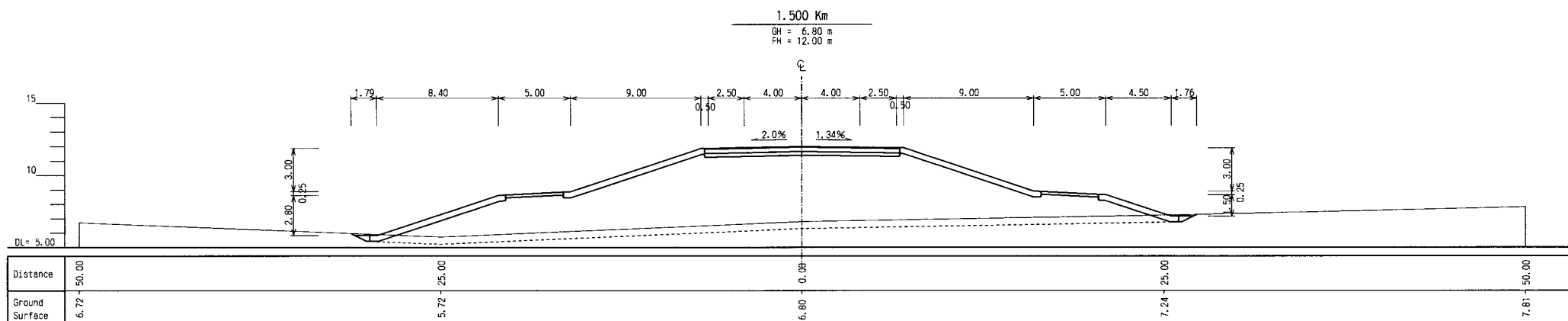
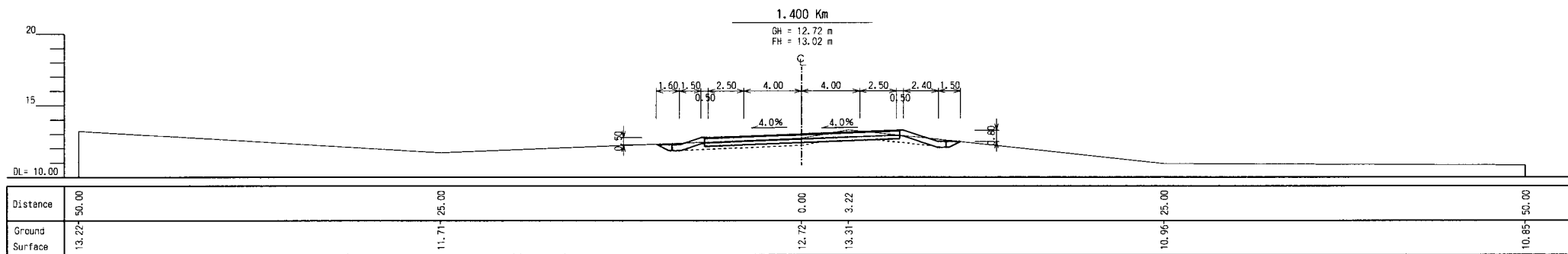
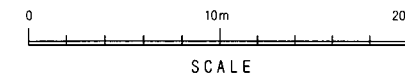
CONVEYANCE SYSTEM OF EL SHEIKH GABER EL SABBABH CANAL
BETWEEN KM 108.466 AND KM 118.560
EL SALAAM No. 7 (BIR EL ABD) PUMPING STATION
NO. 3 ACCESS ROAD
CROSS SECTION (2/8)
BETWEEN KM. 0.900 AND KM. 1.300

JAPAN INTERNATIONAL COOPERATION AGENCY (JICA)
SANYU CONSULTANTS INC, PACIFIC CONSULTANTS INTERNATIONAL

DESIGNED	
TRACED	
CHECKED	
APPROVED	
DRAWING NO.	OMR-205

NOTES:

1. This drawing scale is S=1:400



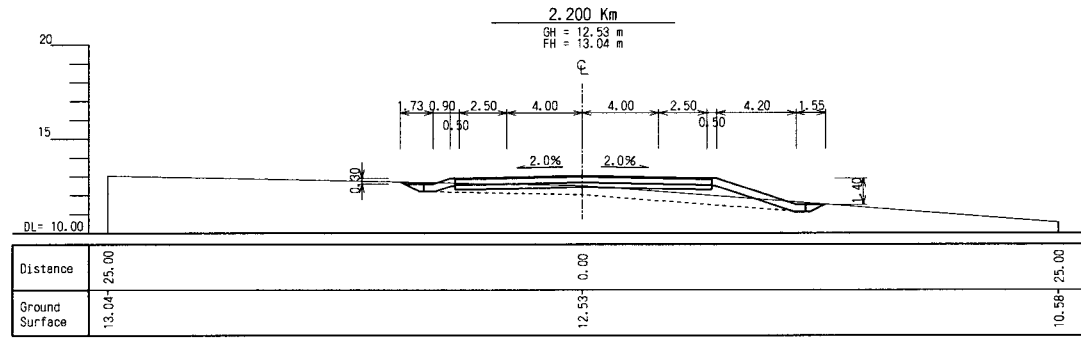
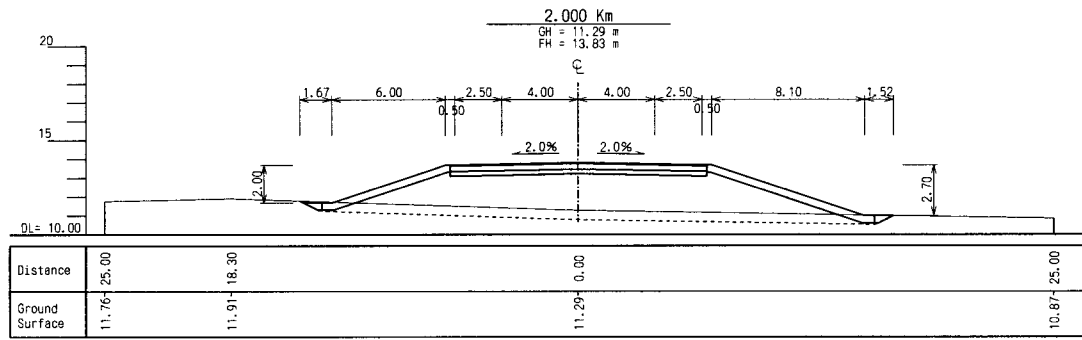
THE ARAB REPUBLIC OF EGYPT
MINISTRY OF WATER RESOURCES AND IRRIGATION
NORTH SINAI DEVELOPMENT ORGANIZATION

THE NORTH SINAI INTEGRATED RURAL
DEVELOPMENT PROJECT (PHASE III)

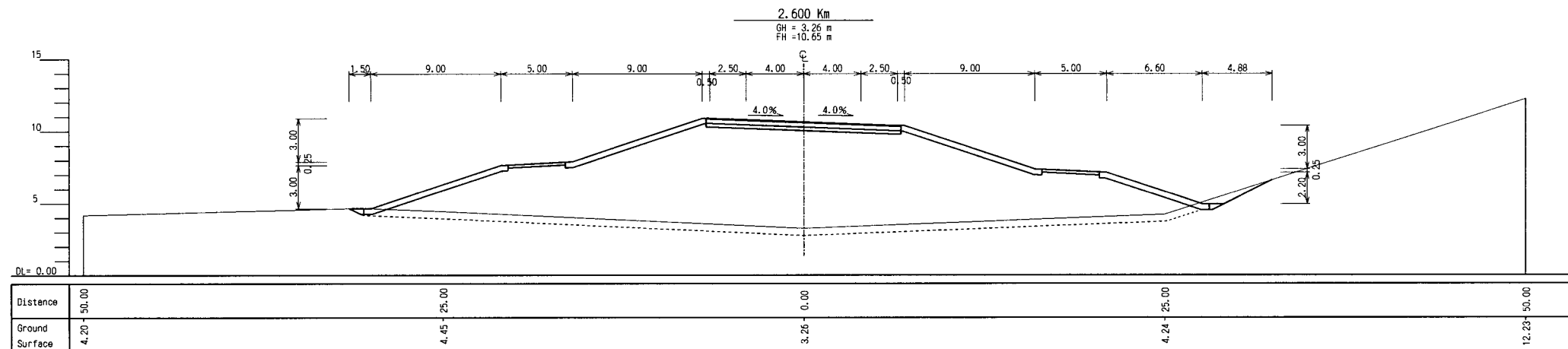
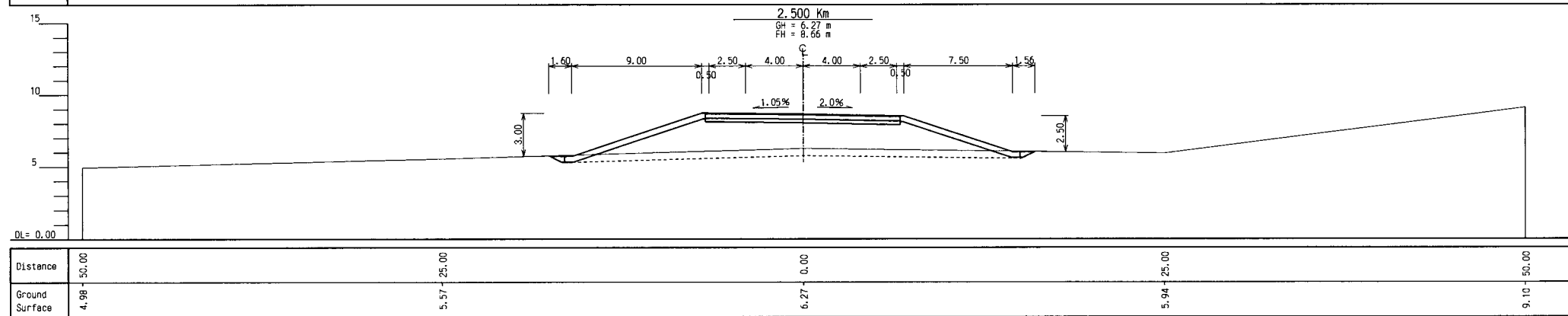
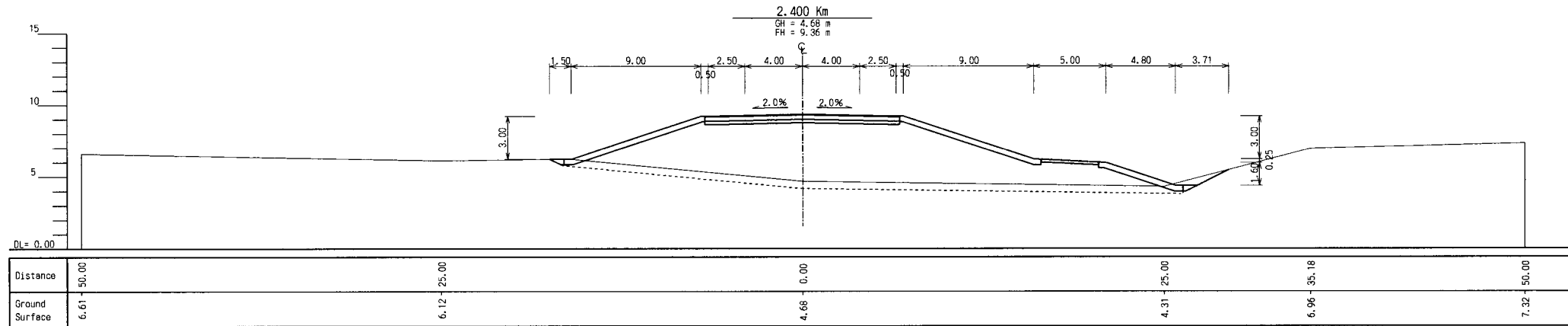
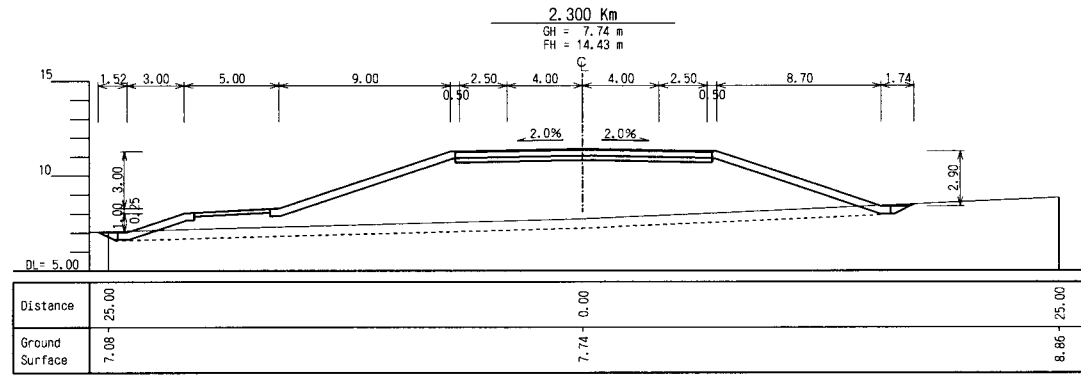
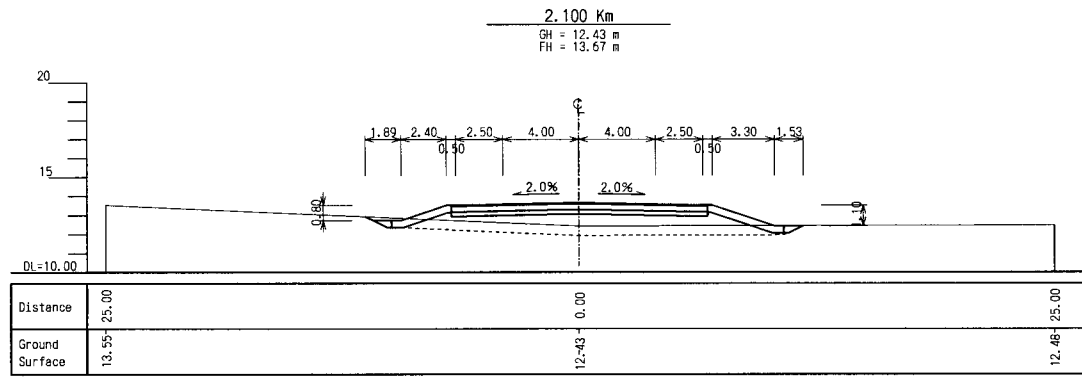
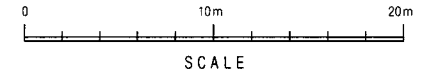
CONVEYANCE SYSTEM OF EL SHEIKH GABER EL SABBAAH CANAL
BETWEEN KM 108.466 AND KM 118.560
EL SALAAM No. 7 (BIR EL ABD) PUMPING STATION
NO. 3 ACCESS ROAD
CROSS SECTION (3/8)
BETWEEN KM. 1.400 AND KM. 1.900

JAPAN INTERNATIONAL COOPERATION AGENCY (JICA)
SANYU CONSULTANTS INC, PACIFIC CONSULTANTS INTERNATIONAL

DESIGNED	
TRACED	
CHECKED	
APPROVED	
DRAWING NO.	OMR-206



NOTES:
1. This drawing scale is S=1:400



THE ARAB REPUBLIC OF EGYPT
MINISTRY OF WATER RESOURCES AND IRRIGATION
NORTH SINAI DEVELOPMENT ORGANIZATION

THE NORTH SINAI INTEGRATED RURAL
DEVELOPMENT PROJECT (PHASE III)

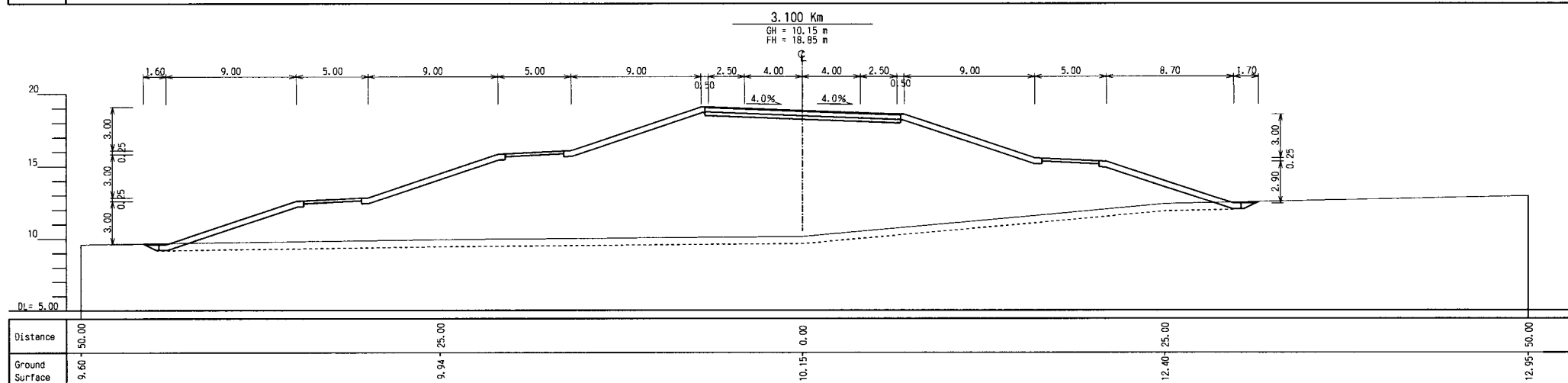
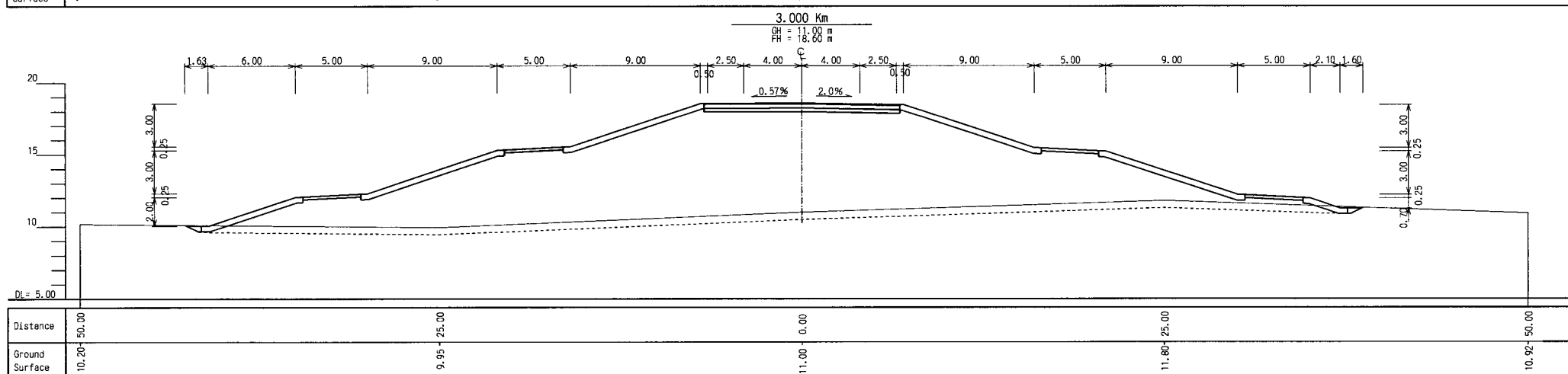
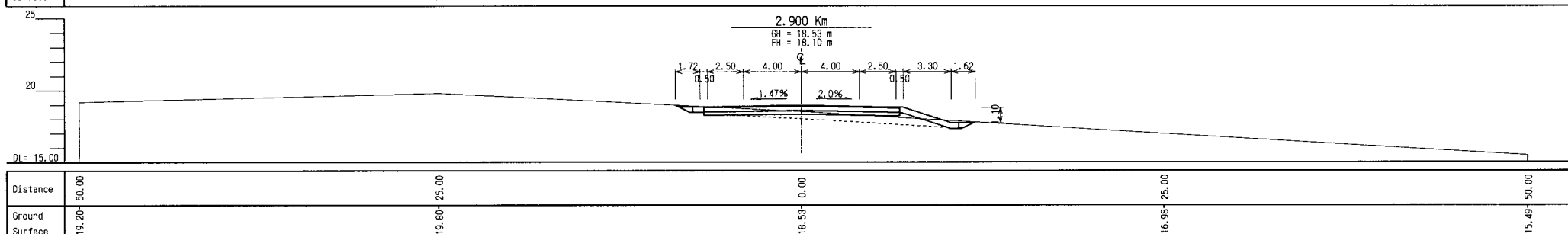
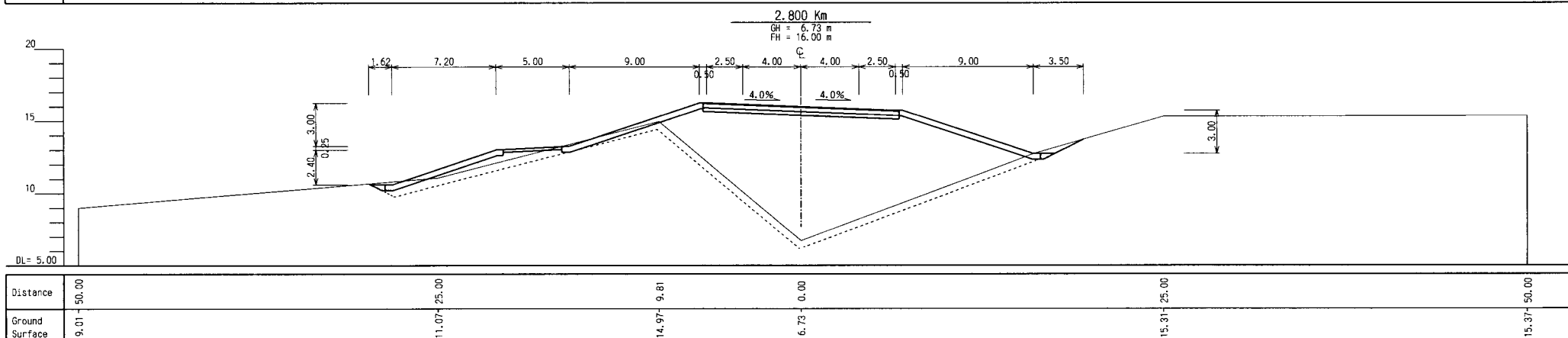
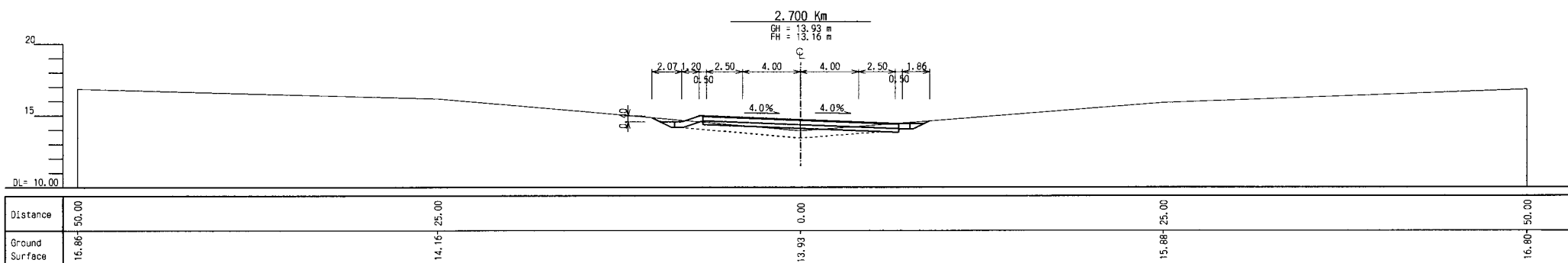
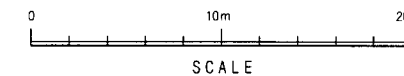
CONVEYANCE SYSTEM OF EL SHEIKH GABER EL SABBABH CANAL
BETWEEN KM 108.466 AND KM 118.560
EL SALAAM No.7 (BIR EL ABD) PUMPING STATION
NO.3 ACCESS ROAD
CROSS SECTION (4/8)
BETWEEN KM. 2.000 AND KM. 2.600

JAPAN INTERNATIONAL COOPERATION AGENCY (JICA)
SANYU CONSULTANTS INC, PACIFIC CONSULTANTS INTERNATIONAL

DESIGNED	
TRACED	
CHECKED	
APPROVED	
DRAWING NO.	OMR-207

NOTES:

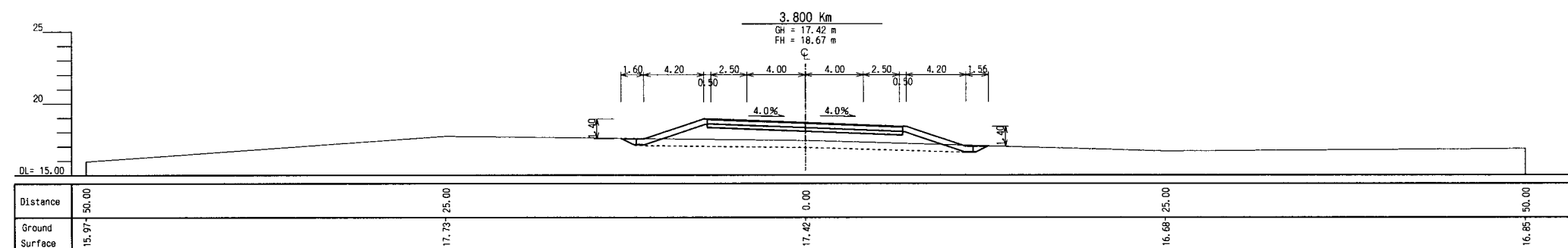
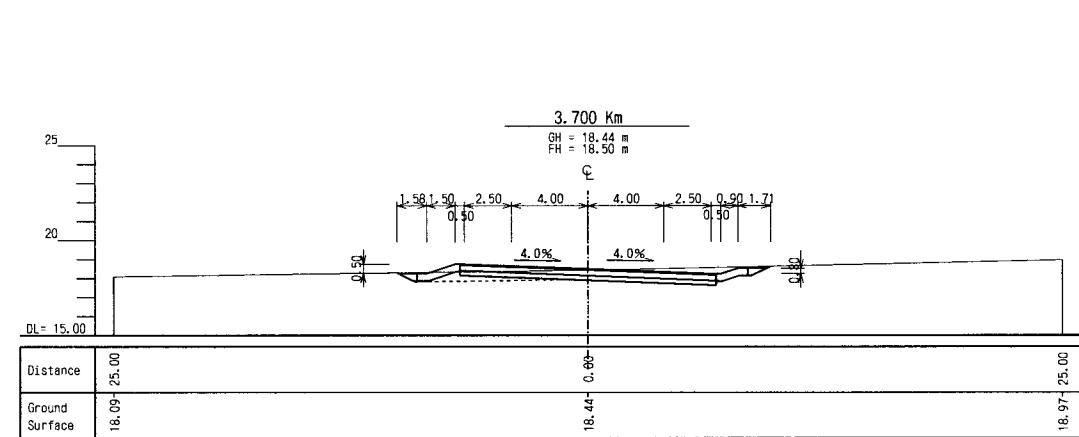
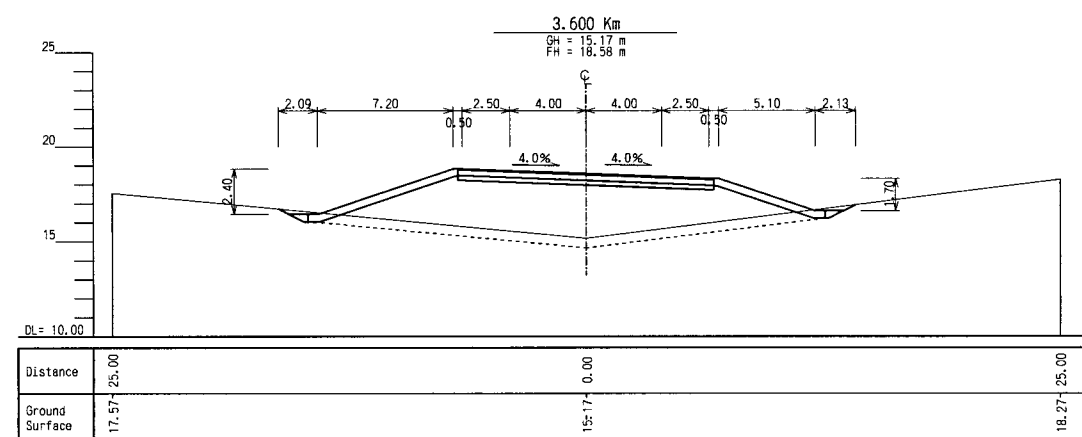
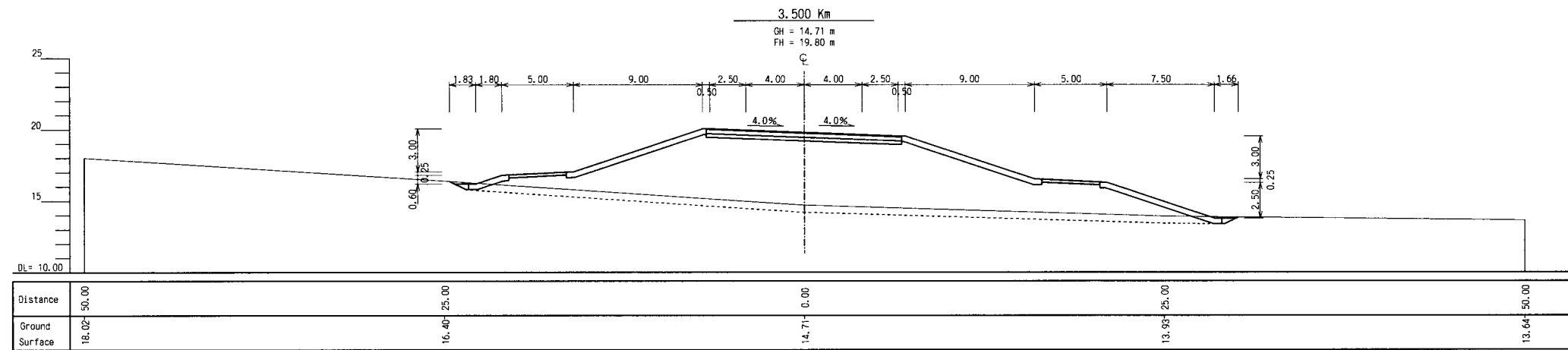
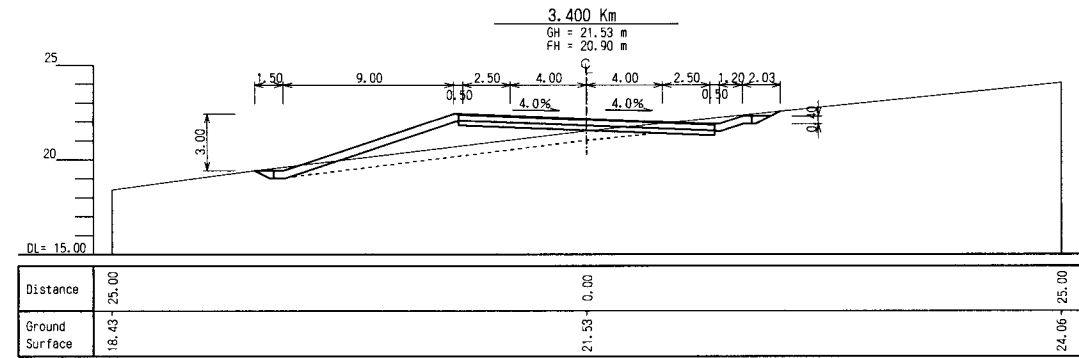
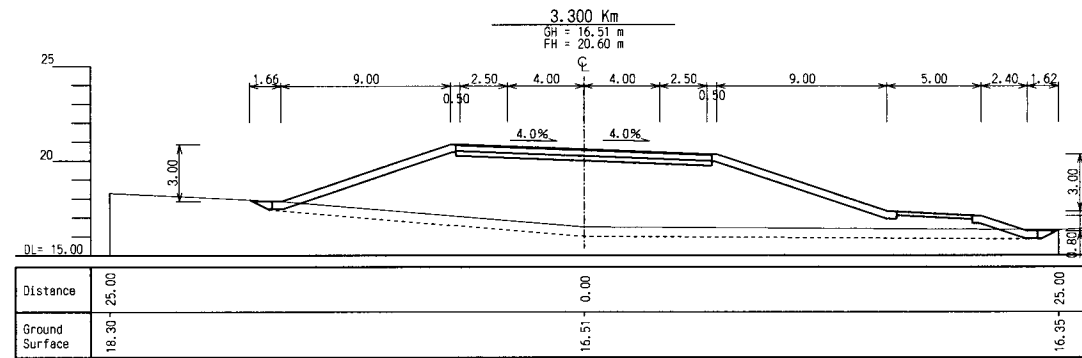
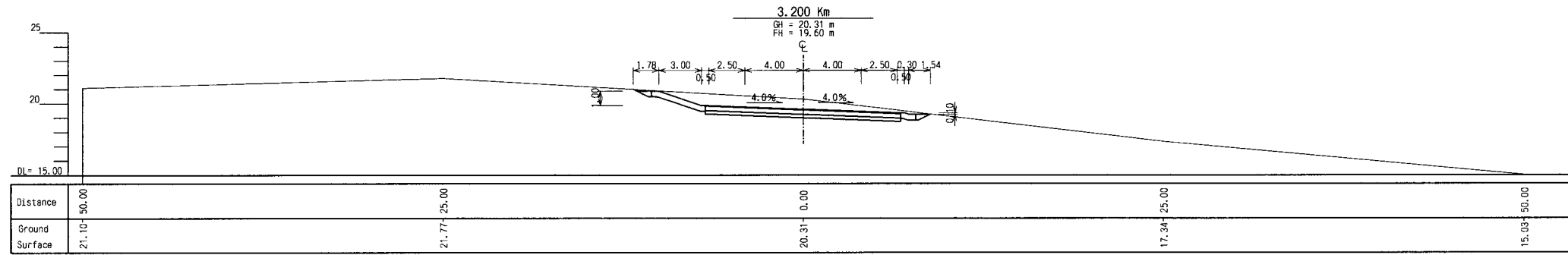
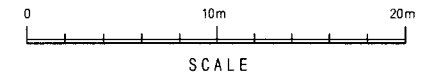
1. This drawing scale is S=1:400



THE ARAB REPUBLIC OF EGYPT MINISTRY OF WATER RESOURCES AND IRRIGATION NORTH SINAI DEVELOPMENT ORGANIZATION	
THE NORTH SINAI INTEGRATED RURAL DEVELOPMENT PROJECT (PHASE III)	
CONVEYANCE SYSTEM OF EL SHEIKH GABER EL SABBABH CANAL BETWEEN KM 108.466 AND KM 118.560 EL SALAAM No. 7 (BIR EL ABD) PUMPING STATION	
NO. 3 ACCESS ROAD CROSS SECTION (5/8) BETWEEN KM. 2.700 AND KM. 3.100	
JAPAN INTERNATIONAL COOPERATION AGENCY (JICA) SANYU CONSULTANTS INC, PACIFIC CONSULTANTS INTERNATIONAL	
DESIGNED	
TRACED	
CHECKED	
APPROVED	
DRAWING NO.	OMR-208

NOTES:

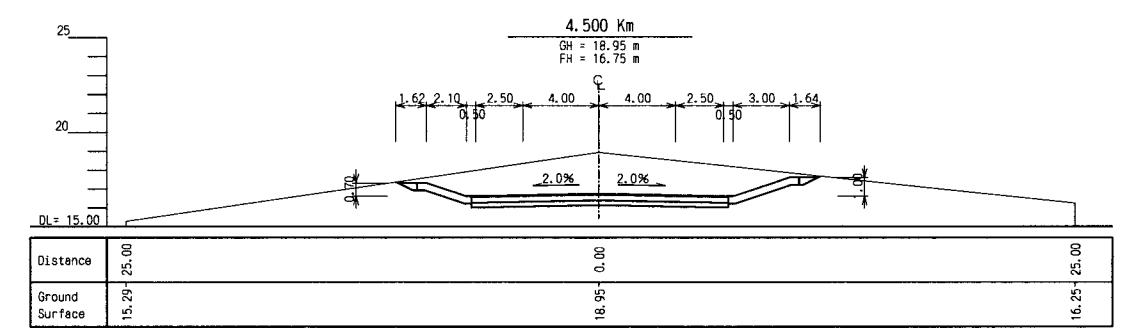
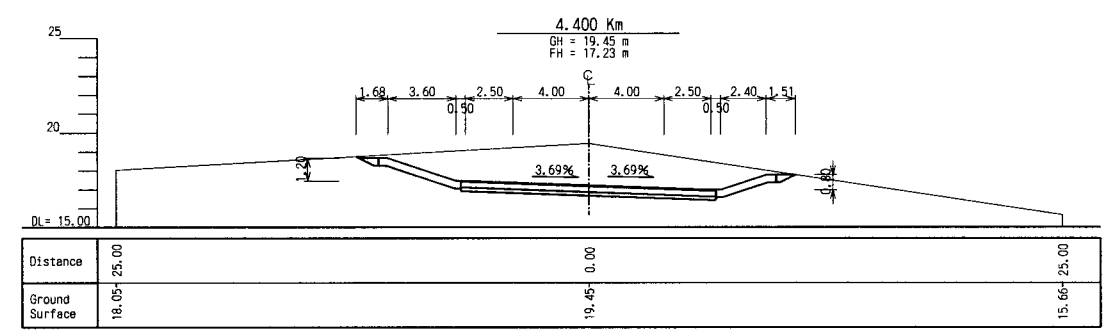
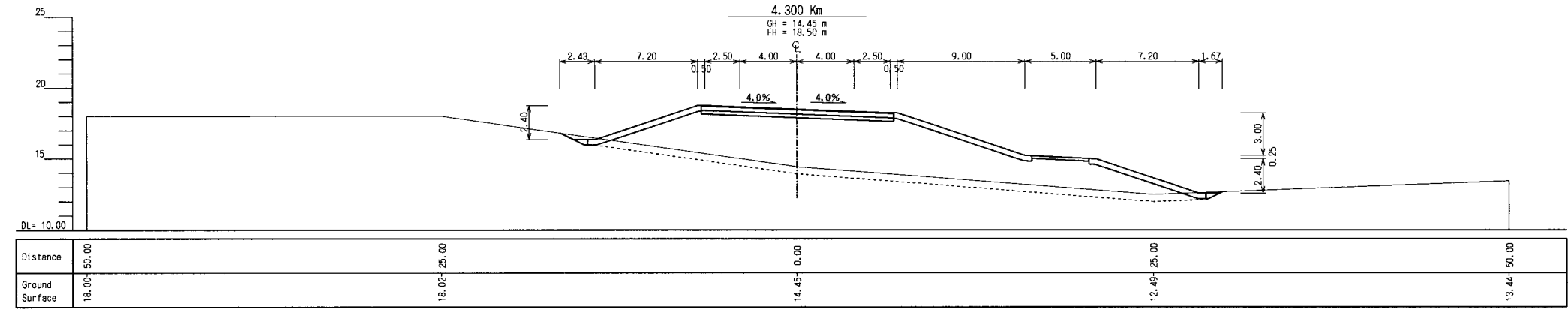
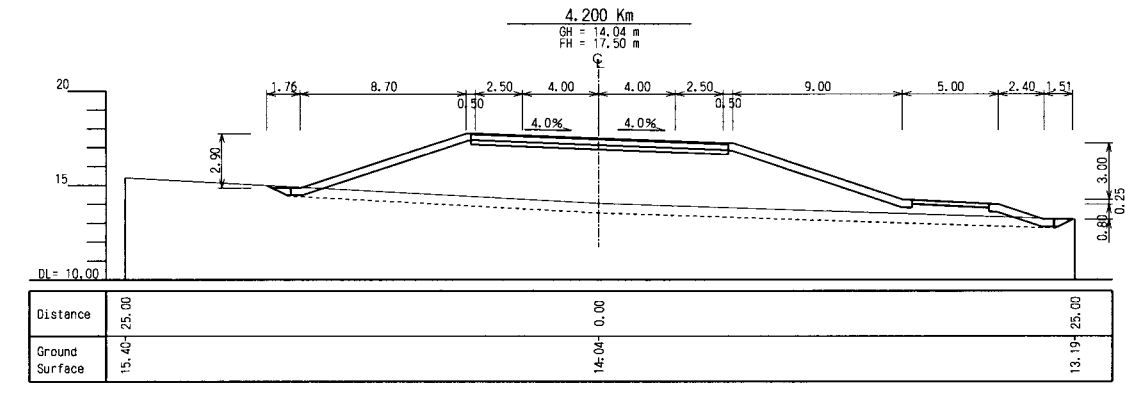
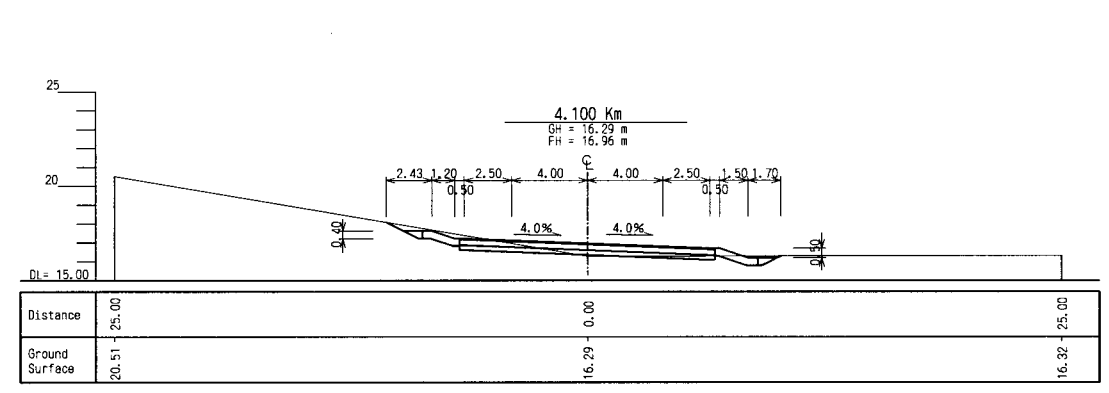
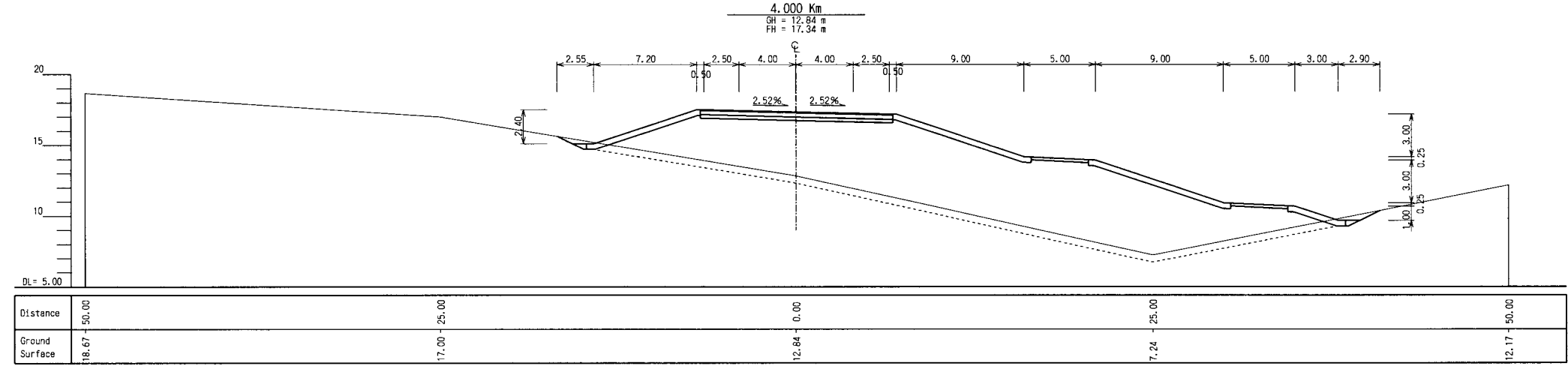
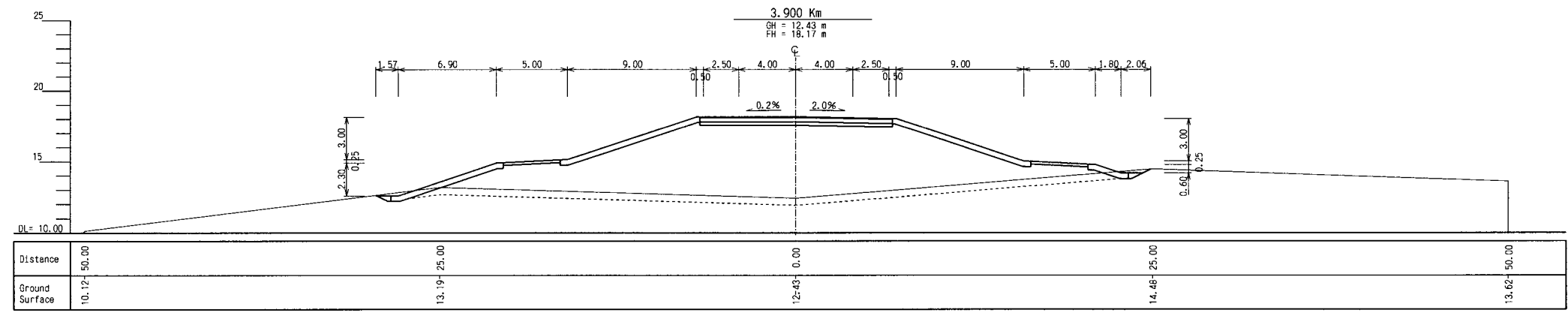
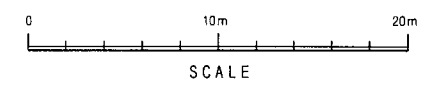
1. This drawing scale is S=1:400



THE ARAB REPUBLIC OF EGYPT MINISTRY OF WATER RESOURCES AND IRRIGATION NORTH SINAI DEVELOPMENT ORGANIZATION	
THE NORTH SINAI INTEGRATED RURAL DEVELOPMENT PROJECT (PHASE III)	
CONVEYANCE SYSTEM OF EL SHEIKH GABER EL SABBABH CANAL BETWEEN KM 108.466 AND KM 118.560 EL SALAAM No.7 (BIR EL ABD) PUMPING STATION NO. 3 ACCESS ROAD CROSS SECTION (6/8) BETWEEN KM. 3.200 AND KM. 3.800	
JAPAN INTERNATIONAL COOPERATION AGENCY (JICA) SANYU CONSULTANTS INC, PACIFIC CONSULTANTS INTERNATIONAL	
DESIGNED	
TRACED	
CHECKED	
APPROVED	
DRAWING NO.	OMR-209

NOTES:

1. This drawing scale is S=1:400



THE ARAB REPUBLIC OF EGYPT
MINISTRY OF WATER RESOURCES AND IRRIGATION
NORTH SINAI DEVELOPMENT ORGANIZATION

THE NORTH SINAI INTEGRATED RURAL
DEVELOPMENT PROJECT (PHASE III)

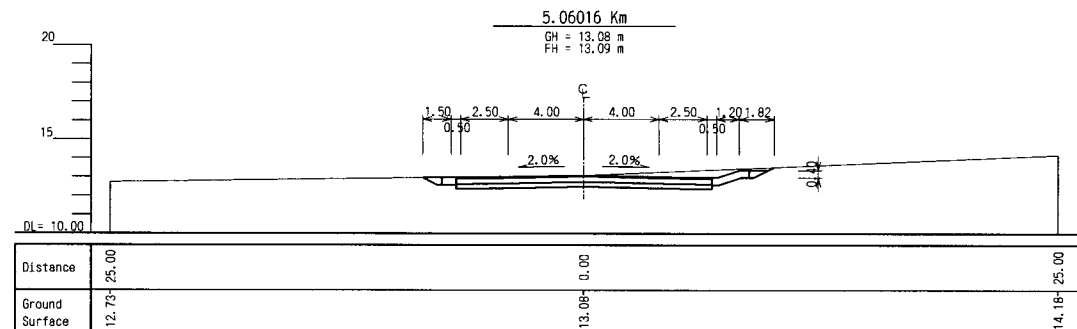
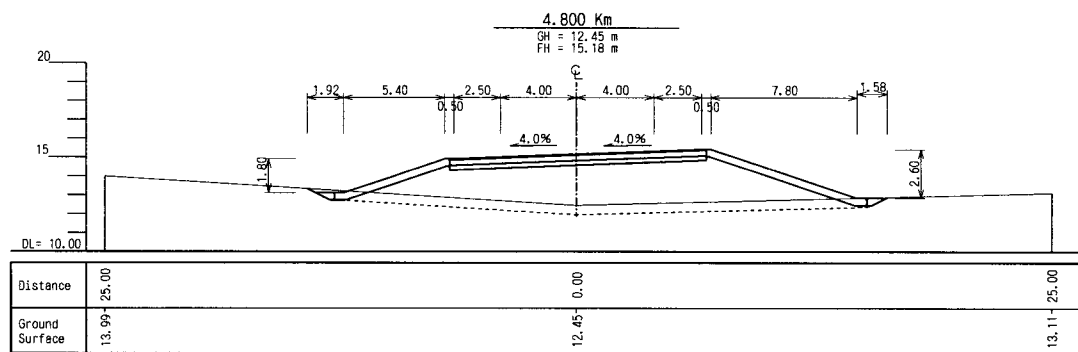
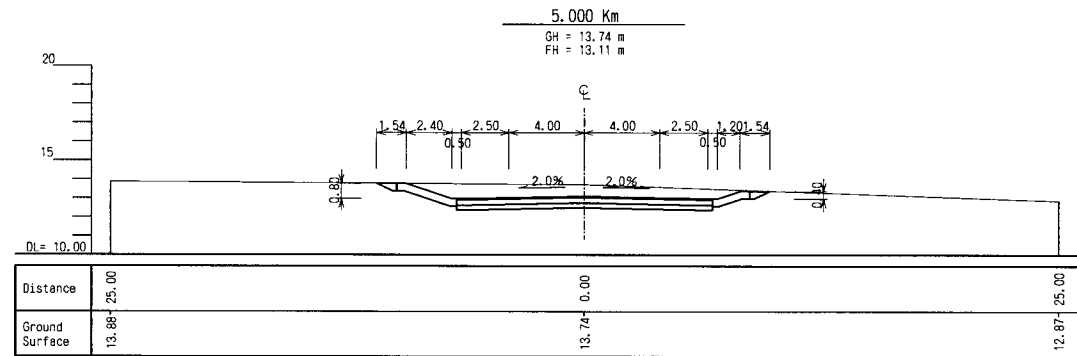
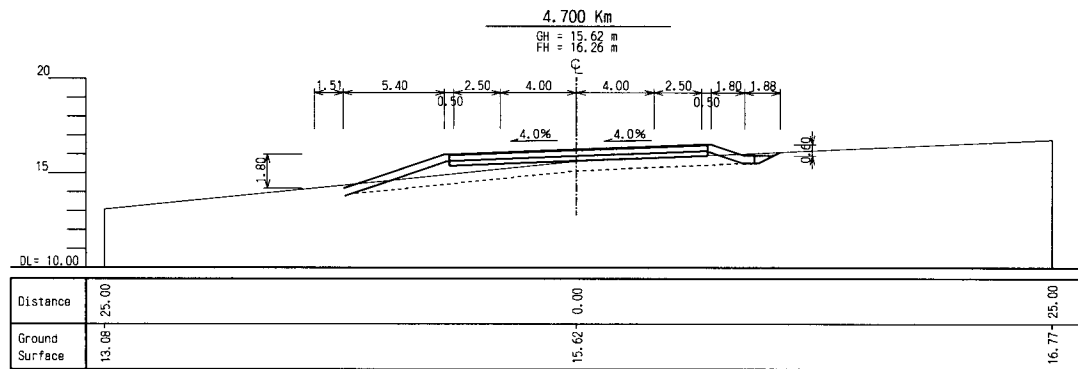
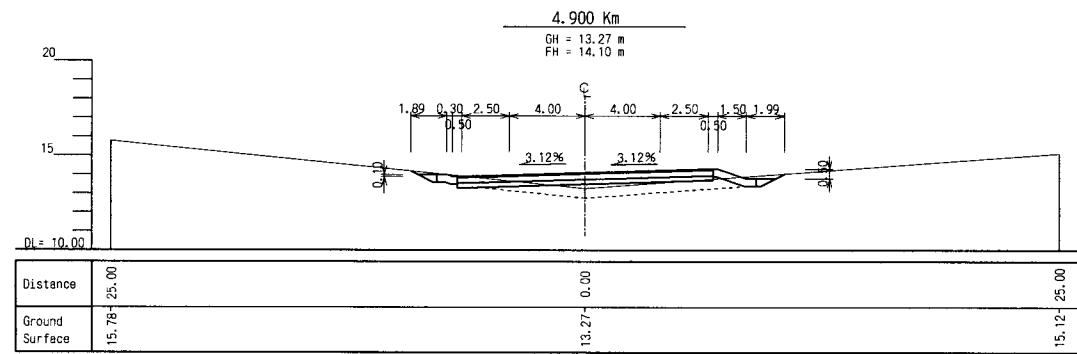
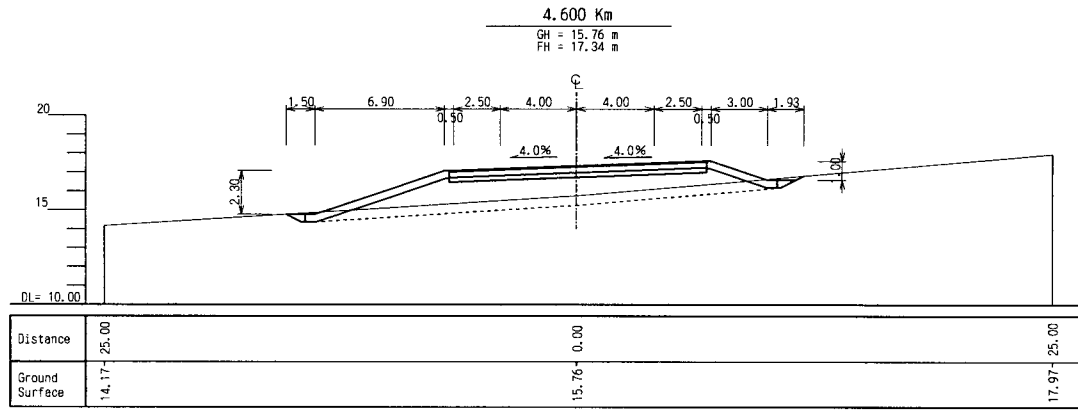
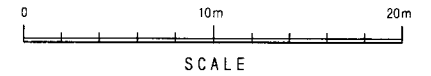
CONVEYANCE SYSTEM OF EL SHEIKH GABER EL SABBABH CANAL
BETWEEN KM 108.466 AND KM 118.560
EL SALAAM No.7 (BIR EL ABD) PUMPING STATION
NO. 3 ACCESS ROAD
CROSS SECTION (7/8)
BETWEEN KM. 3.900 AND KM. 4.500

JAPAN INTERNATIONAL COOPERATION AGENCY (JICA)
SANYU CONSULTANTS INC, PACIFIC CONSULTANTS INTERNATIONAL

DESIGNED	
TRACED	
CHECKED	
APPROVED	
DRAWING NO.	OMR-210

NOTES:

1. This drawing scale is S=1:400



THE ARAB REPUBLIC OF EGYPT
MINISTRY OF WATER RESOURCES AND IRRIGATION
NORTH SINAI DEVELOPMENT ORGANIZATION

THE NORTH SINAI INTEGRATED RURAL
DEVELOPMENT PROJECT (PHASE III)

CONVEYANCE SYSTEM OF EL SHEIKH GABER EL SABBABH CANAL
BETWEEN KM 108.466 AND KM 118.560
EL SALAAM No. 7 (BIR EL ABD) PUMPING STATION
NO. 3 ACCESS ROAD
CROSS SECTION (8/8)
BETWEEN KM. 4.600 AND KM. 5.06016 (EP)

JAPAN INTERNATIONAL COOPERATION AGENCY (JICA)
SANYU CONSULTANTS INC, PACIFIC CONSULTANTS INTERNATIONAL

DESIGNED	
TRACED	
CHECKED	
APPROVED	
DRAWING NO.	OMR-211