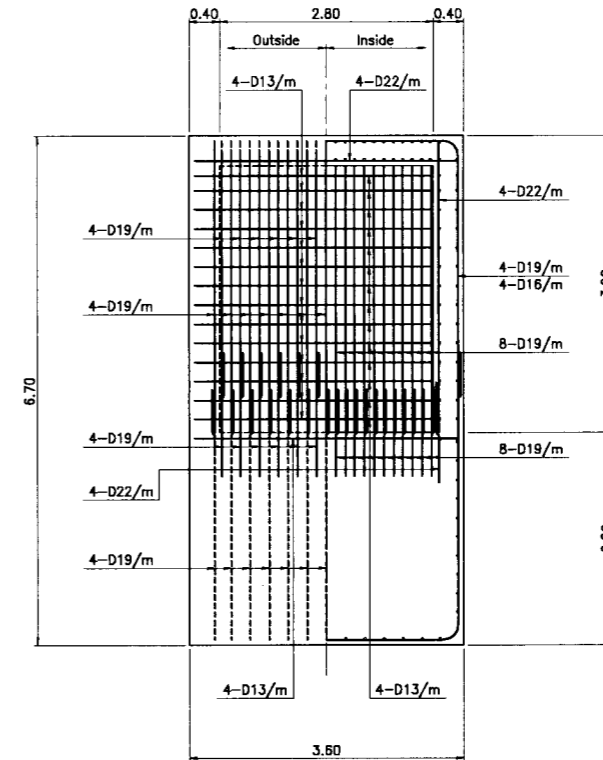
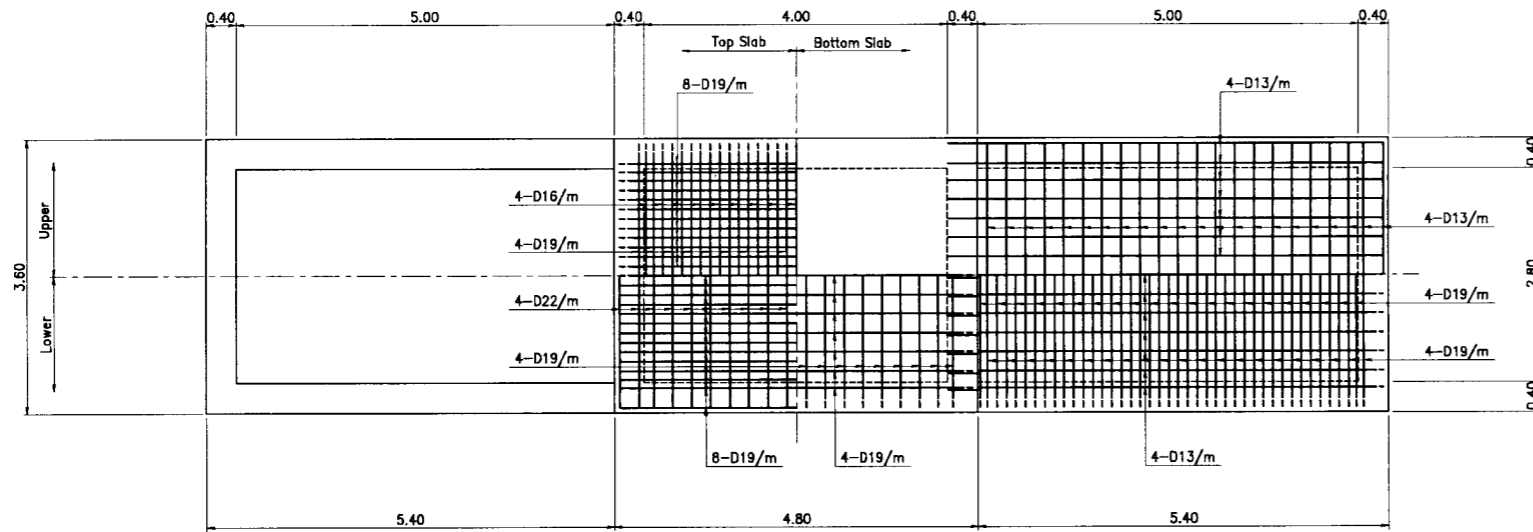
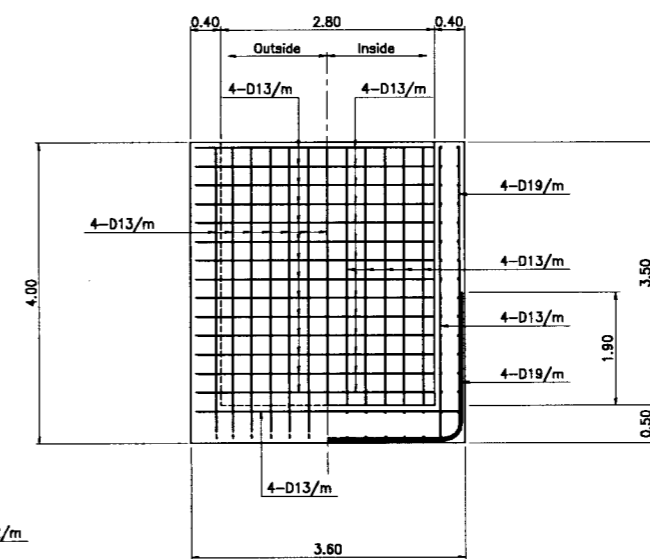
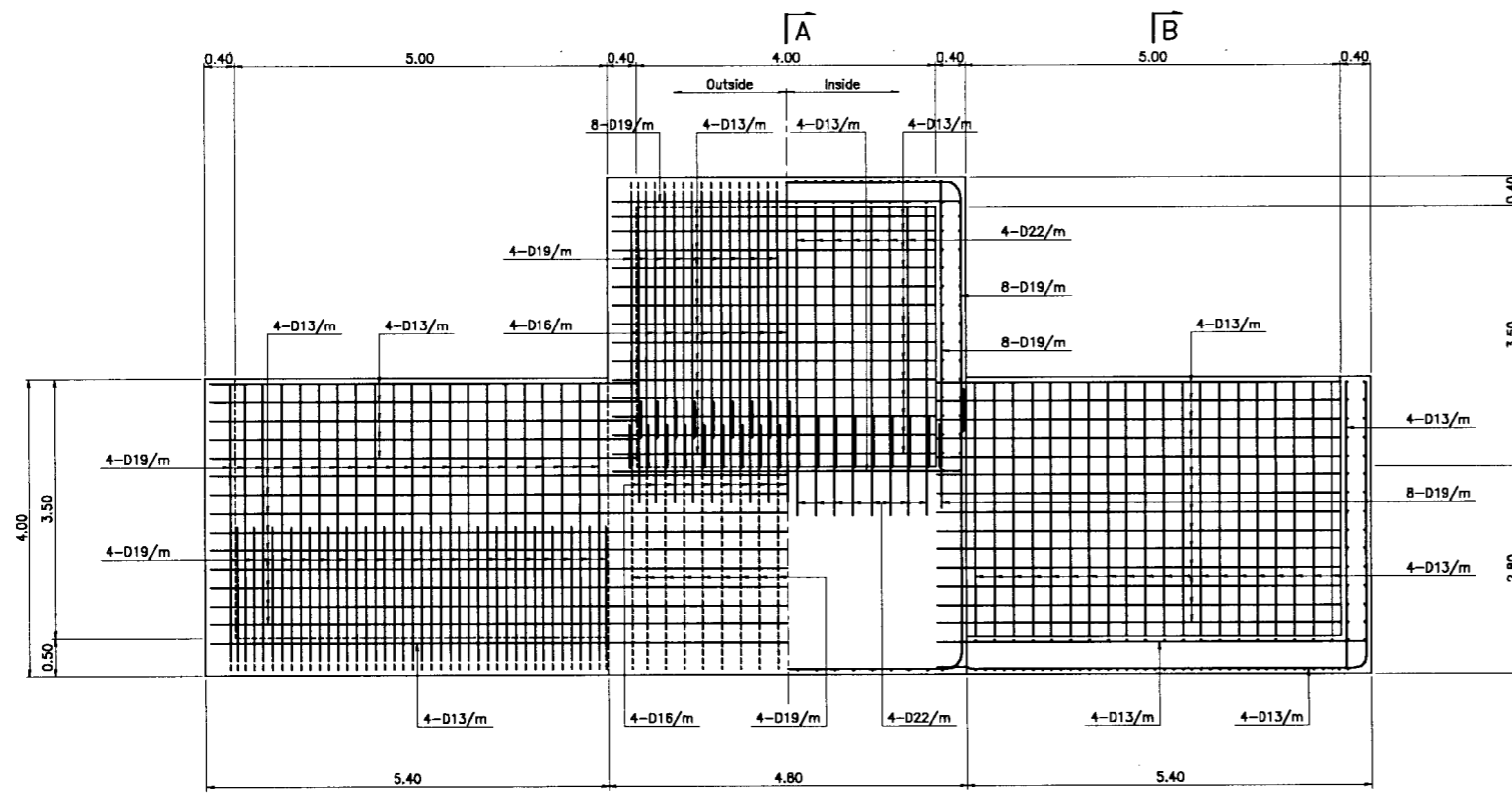


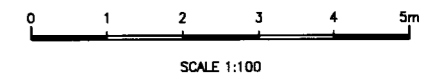
SURGE TANK NO.2 WORKS (1/2)
SCALE 1:100



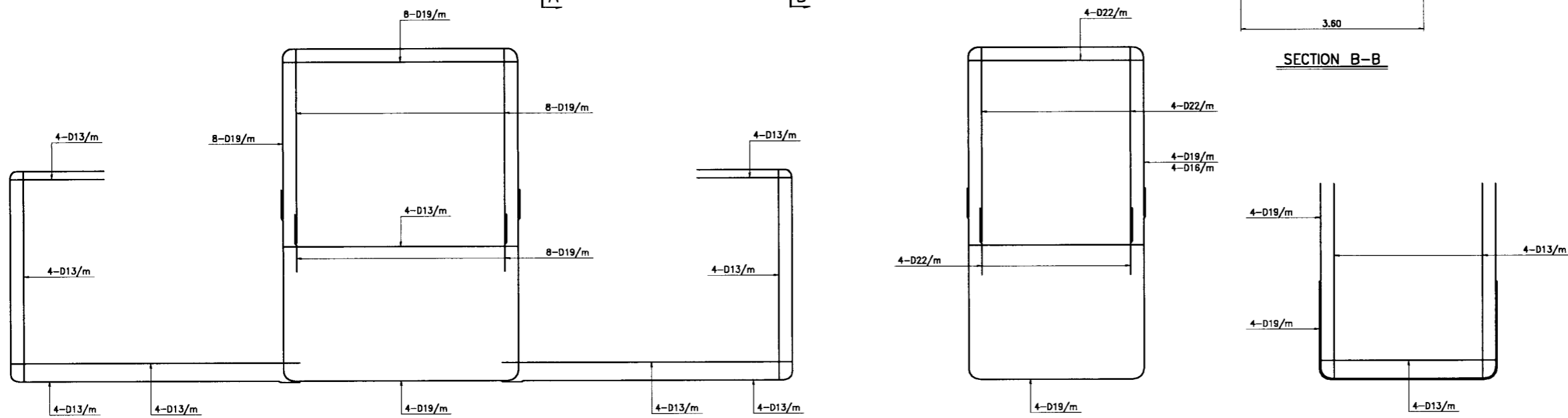
SECTION A-A



SECTION B-B

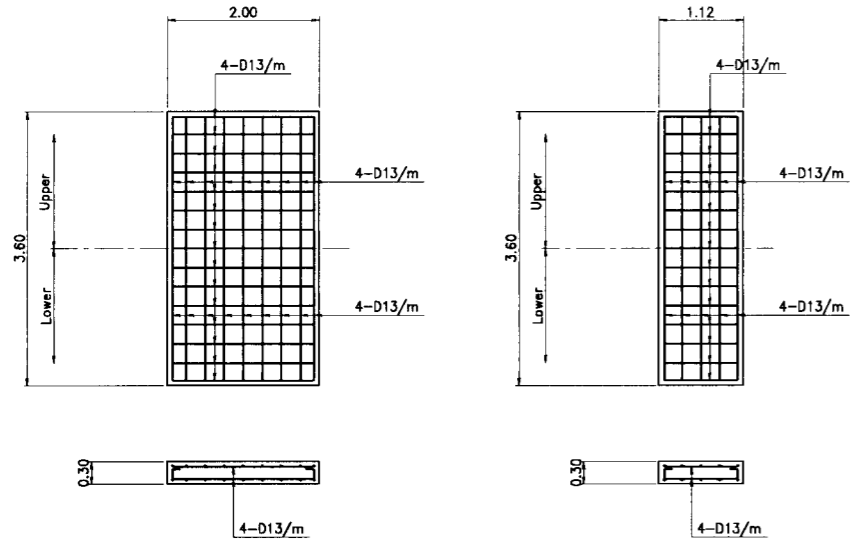


SCALE 1:100



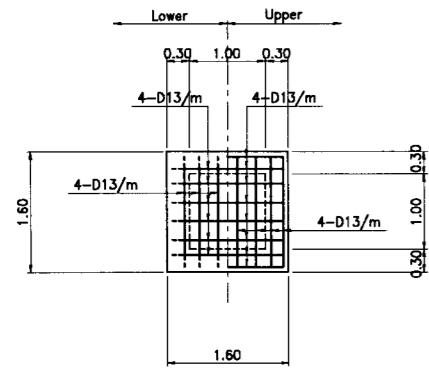
THE ARAB REPUBLIC OF EGYPT MINISTRY OF WATER RESOURCES AND IRRIGATION NORTH SINAI DEVELOPMENT ORGANIZATION THE NORTH SINAI INTEGRATED RURAL DEVELOPMENT PROJECT (PHASE III) CONVEYANCE SYSTEM OF EL SHEIKH GABER EL SABBABH CANAL BETWEEN KM 108.466 AND KM 118.560 EL SALAAM No.7 (BIR EL ABD) PUMPING STATION DELIVERY PRESSURED PIPELINE SURGE TANK No.2 REINFORCEMENTS (1/2)	
JAPAN INTERNATIONAL COOPERATION AGENCY (JICA) SANYU CONSULTANTS INC./PACIFIC CONSULTANTS INTERNATIONAL	
DESIGNED	
TRACED	
CHECKED	
APPROVED	
DRAWING NO.	DPP-240

SURGE TANK NO.2 WORKS (2/2)
SCALE 1:100

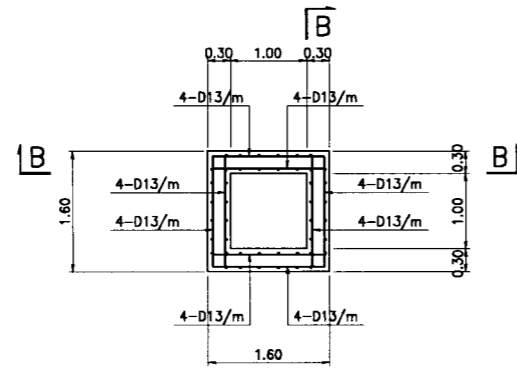


DETAIL FOR PIP COVER (PRECAST CONCRETE)

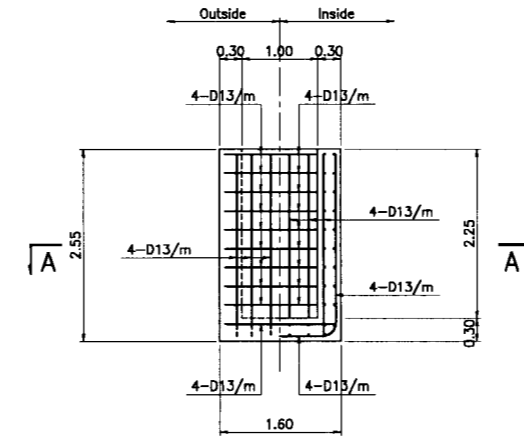
VALVE PIT



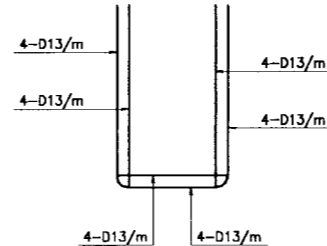
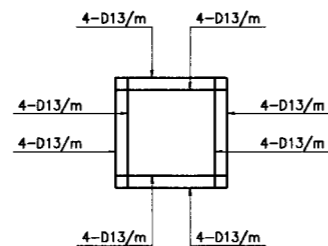
BOTTOM SLAB



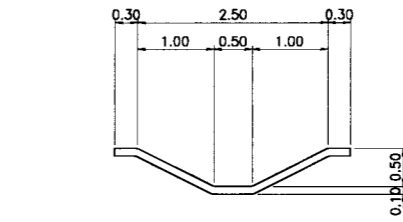
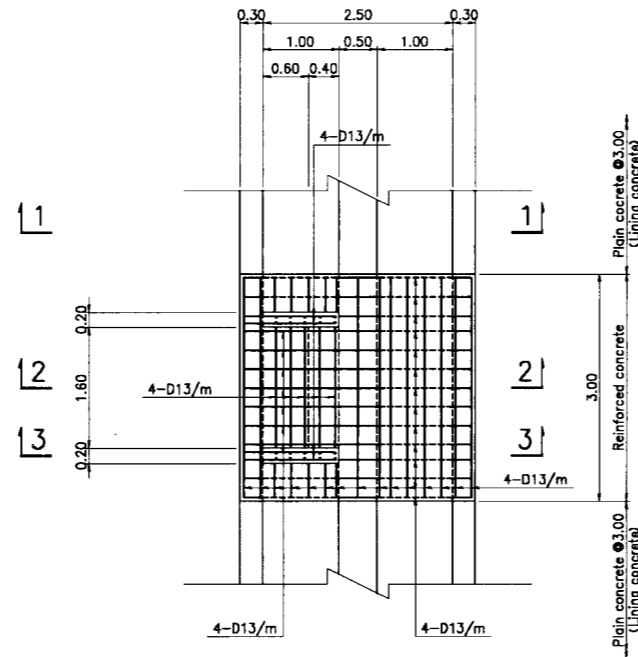
SECTION A-A



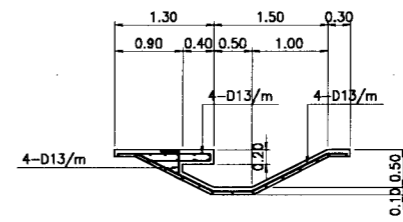
SECTION B-B



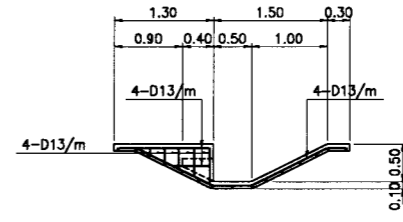
DRAIN DITCH



SECTION 1-1



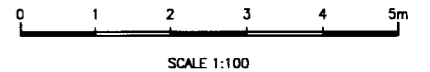
SECTION 2-2



SECTION 3-3

NOTES:

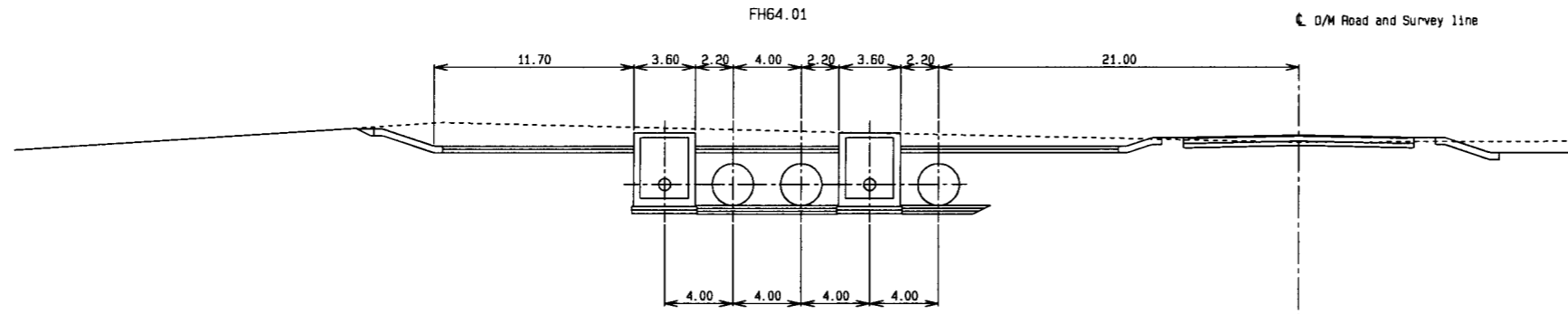
- Lining concrete shall be made the contraction joint at each 3.00^m longitudinal distance.



THE ARAB REPUBLIC OF EGYPT MINISTRY OF WATER RESOURCES AND IRRIGATION NORTH SINAI DEVELOPMENT ORGANIZATION THE NORTH SINAI INTEGRATED RURAL DEVELOPMENT PROJECT (PHASE III) CONVEYANCE SYSTEM OF EL SHEIKH GABER EL SABBABH CANAL BETWEEN KM 108.466 AND KM 118.560 EL SALAAM No.7 (BIR EL ABD) PUMPING STATION DELIVERY PRESSURED PIPELINE SURGE TANK No.2 REINFORCEMENTS (2/2)	
JAPAN INTERNATIONAL COOPERATION AGENCY (JICA) SANYU CONSULTANTS INC., PACIFIC CONSULTANTS INTERNATIONAL	
DESIGNED	
TRACED	
CHECKED	
APPROVED	
DRAWING NO.	DPP-241

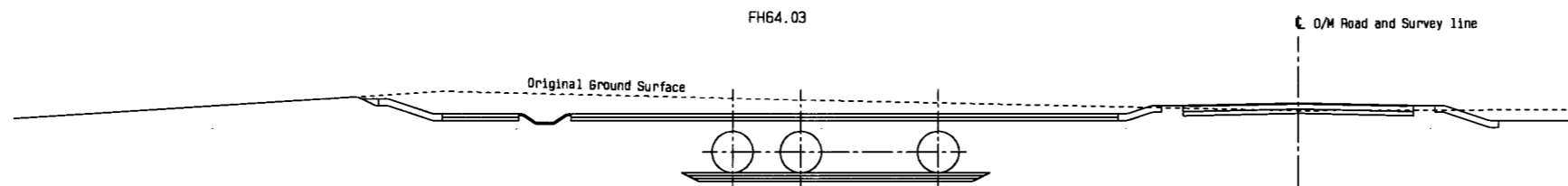
KM 114.70390 (+)
 O/M Road and Survey line

NOTES:



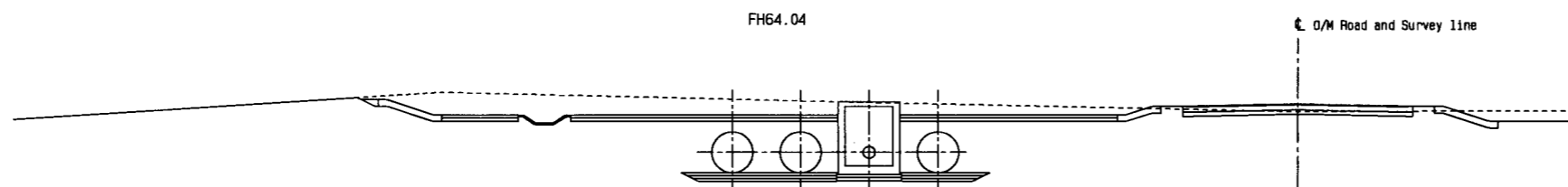
DL=55.00

KM 114.71950 (+)
 O/M Road and Survey line



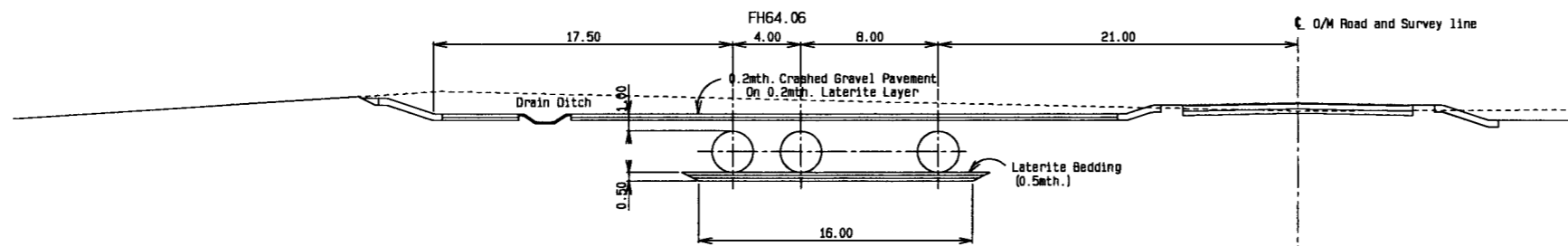
DL=55.00

KM 114.72450 (+)
 O/M Road and Survey line

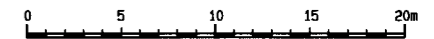


DL=55.00

KM 114.74010 (+)
 O/M Road and Survey line



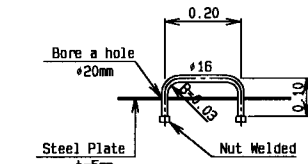
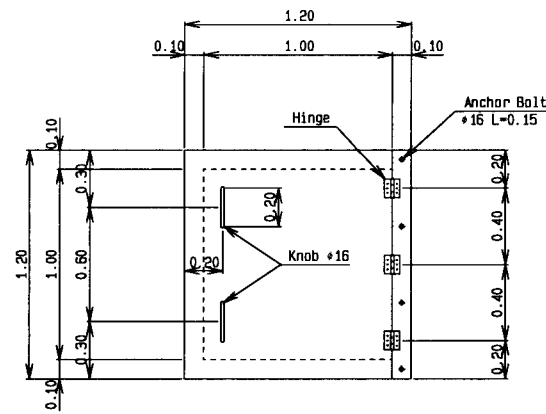
DL=55.00



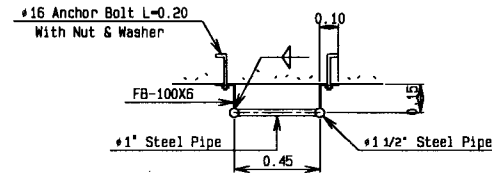
SCALE 1:400

CROSS SECTIONS OF SURGE TANK NO.2

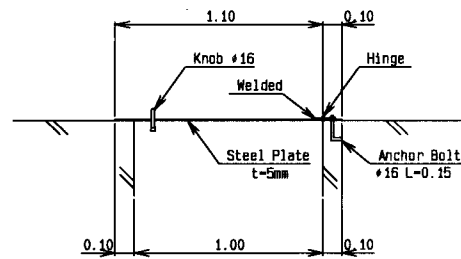
THE ARAB REPUBLIC OF EGYPT MINISTRY OF WATER RESOURCES AND IRRIGATION NORTH SINAI DEVELOPMENT ORGANIZATION THE NORTH SINAI INTEGRATED RURAL DEVELOPMENT PROJECT (PHASE III)	
CONVEYANCE SYSTEM OF EL SHEIKH GABER EL SABBABH CANAL BETWEEN KM 108.466 AND KM118.560 EL SALAAM No.7 (BIR EL ABD) PUMPING STATION DELIVERY PRESSURED PIPELINE CROSS SECTIONS OF SURGE TANK N o.2	
JAPAN INTERNATIONAL COOPERATION AGENCY (JICA) SANYU CONSULTANTS INC, PACIFIC CONSULTANTS INTERNATIONAL	
DESIGNED	
TRACED	
CHECKED	
APPROVED	
DRAWING NO.	DPP-242



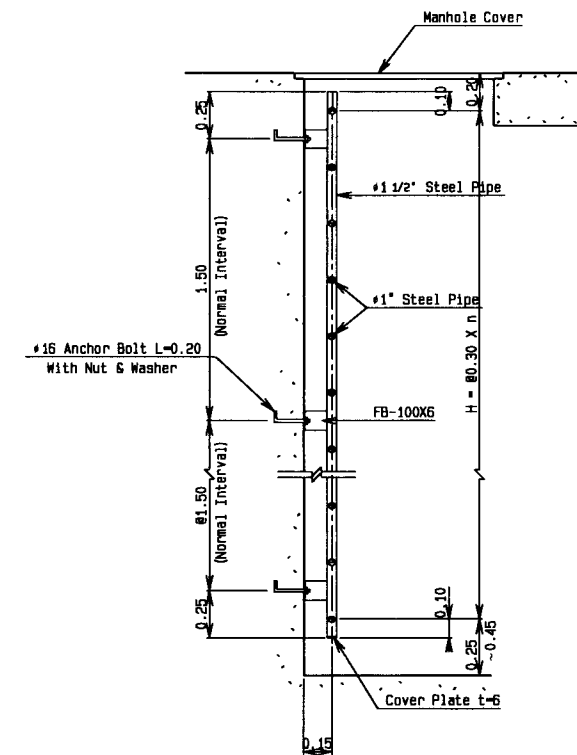
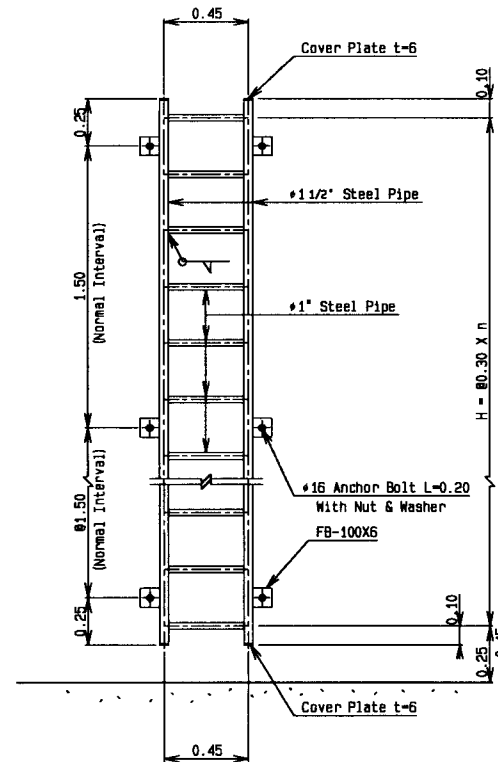
DETAIL FOR KNOB
SCALE 1:20



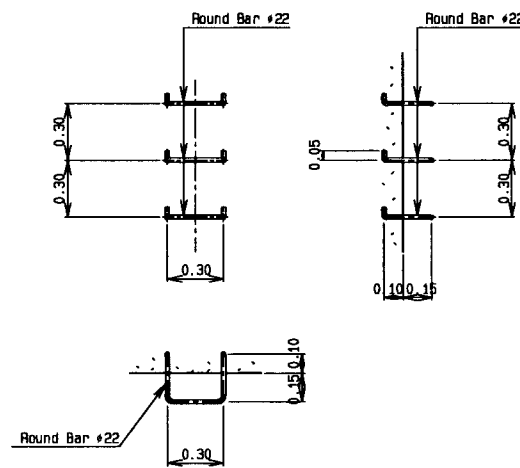
SECTION



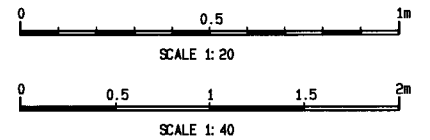
DETAIL FOR STEEL PLATE COVER
SCALE 1:40



DETAIL FOR STEEL LADDER
SCALE 1:40

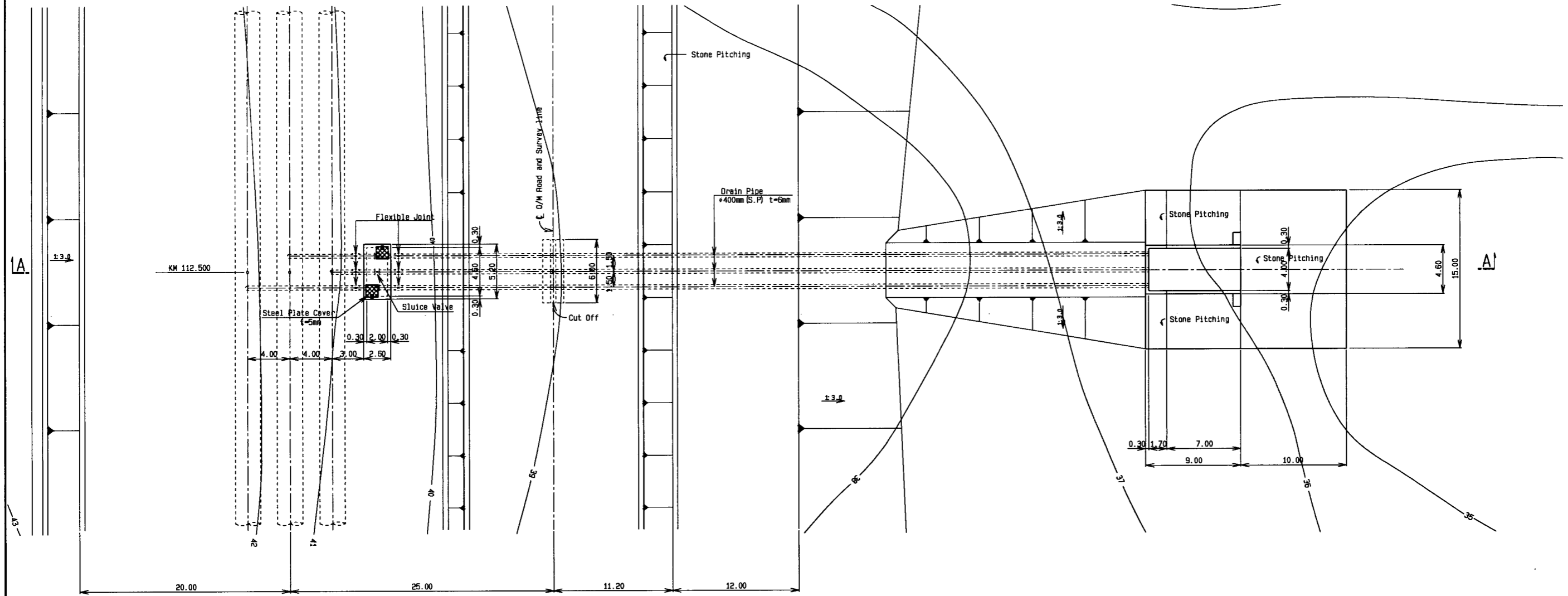


DETAIL FOR LADDER RUNG
SCALE 1:40

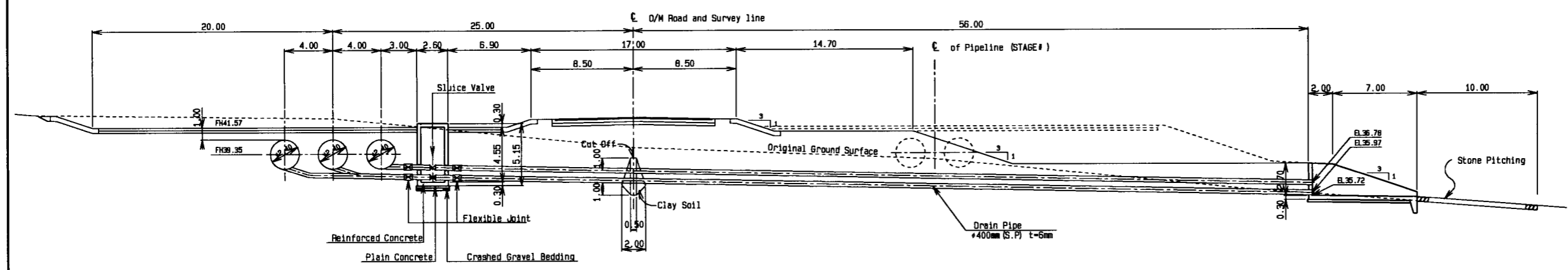


THE ARAB REPUBLIC OF EGYPT MINISTRY OF WATER RESOURCES AND IRRIGATION NORTH SINAI DEVELOPMENT ORGANIZATION THE NORTH SINAI INTEGRATED RURAL DEVELOPMENT PROJECT (PHASE III)	
CONVEYANCE SYSTEM OF EL SHEIKH GABER EL SABBABH CANAL BETWEEN KM 108.466 AND KM118.560 EL SALAAM No.7 (BIR EL ABD) PUMPING STATION DELIVERY PRESSURED PIPELINE MISCELLANEOUS WORKS OF No.1 AND No.2 SURGE TANKS	
JAPAN INTERNATIONAL COOPERATION AGENCY (JICA) SANYU CONSULTANTS INC, PACIFIC CONSULTANTS INTERNATIONAL	
DESIGNED	
TRACED	
CHECKED	
APPROVED	
DRAWING NO.	DPP-243

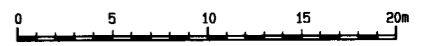
BLOW OFF NO. 1



PLAN



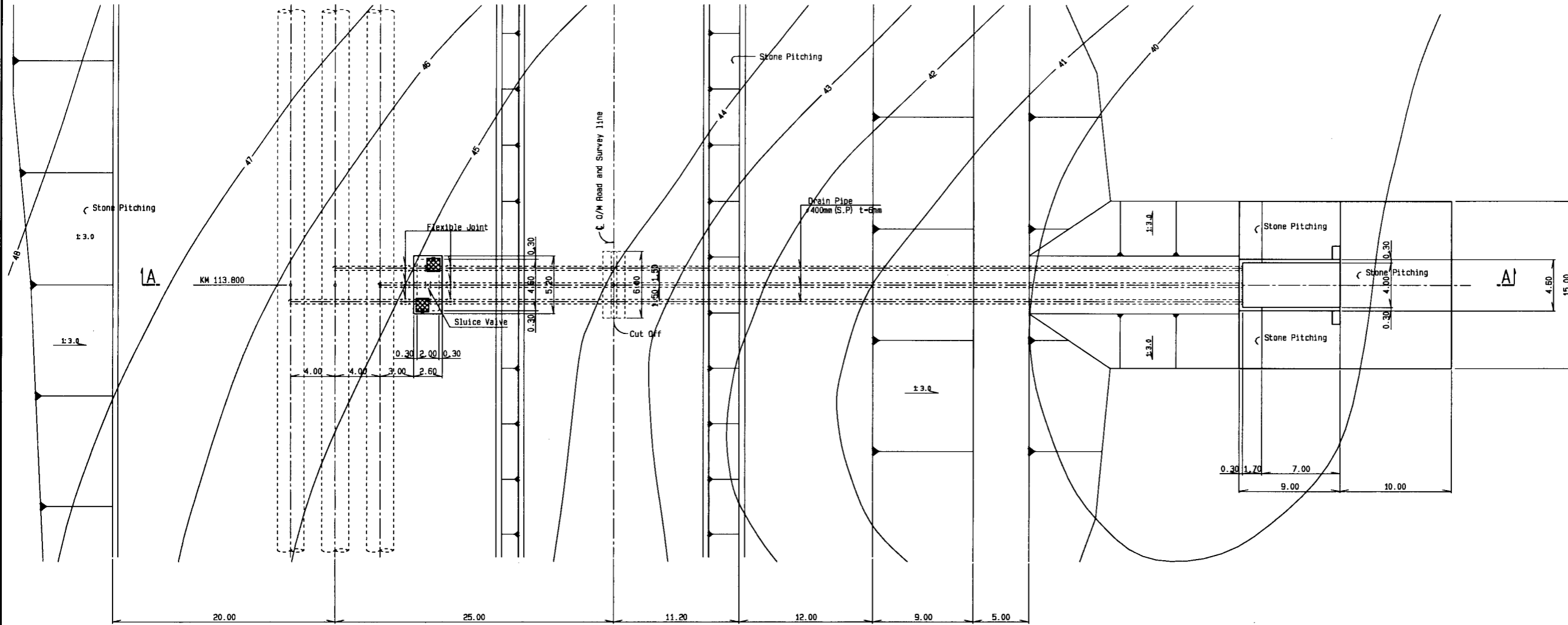
SECTION A-A



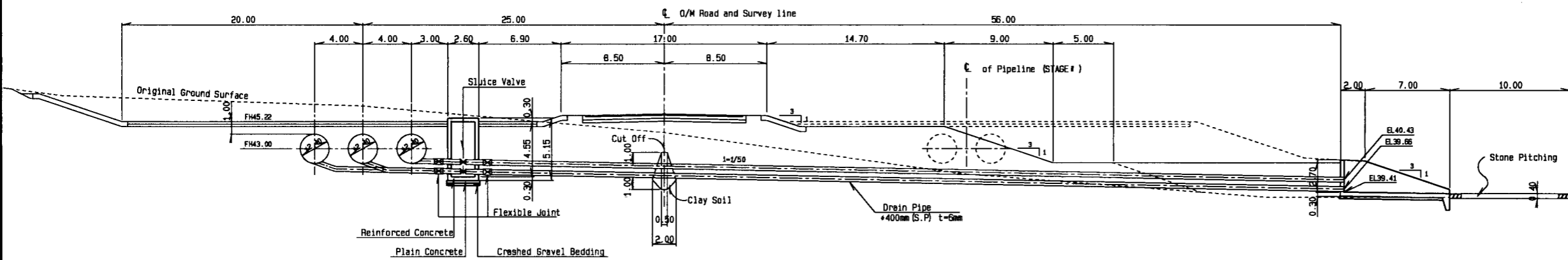
SCALE 1: 400

THE ARAB REPUBLIC OF EGYPT MINISTRY OF WATER RESOURCES AND IRRIGATION NORTH SINAI DEVELOPMENT ORGANIZATION THE NORTH SINAI INTEGRATED RURAL DEVELOPMENT PROJECT (PHASE III)	
CONVEYANCE SYSTEM OF EL SHEIKH GABER EL SABBABH CANAL BETWEEN KM 108.466 AND KM118.560 EL SALAAM No.7 (BIR EL ABD) PUMPING STATION DELIVERY PRESSURED PIPELINE PLAN AND SECTION OF BLOW OFF No.1	
JAPAN INTERNATIONAL COOPERATION AGENCY (JICA) SANYU CONSULTANTS INC, PACIFIC CONSULTANTS INTERNATIONAL	
DESIGNED	
TRACED	
CHECKED	
APPROVED	
DRAWING NO.	DPP-244

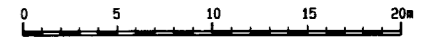
BLOW OFF NO.2



PLAN



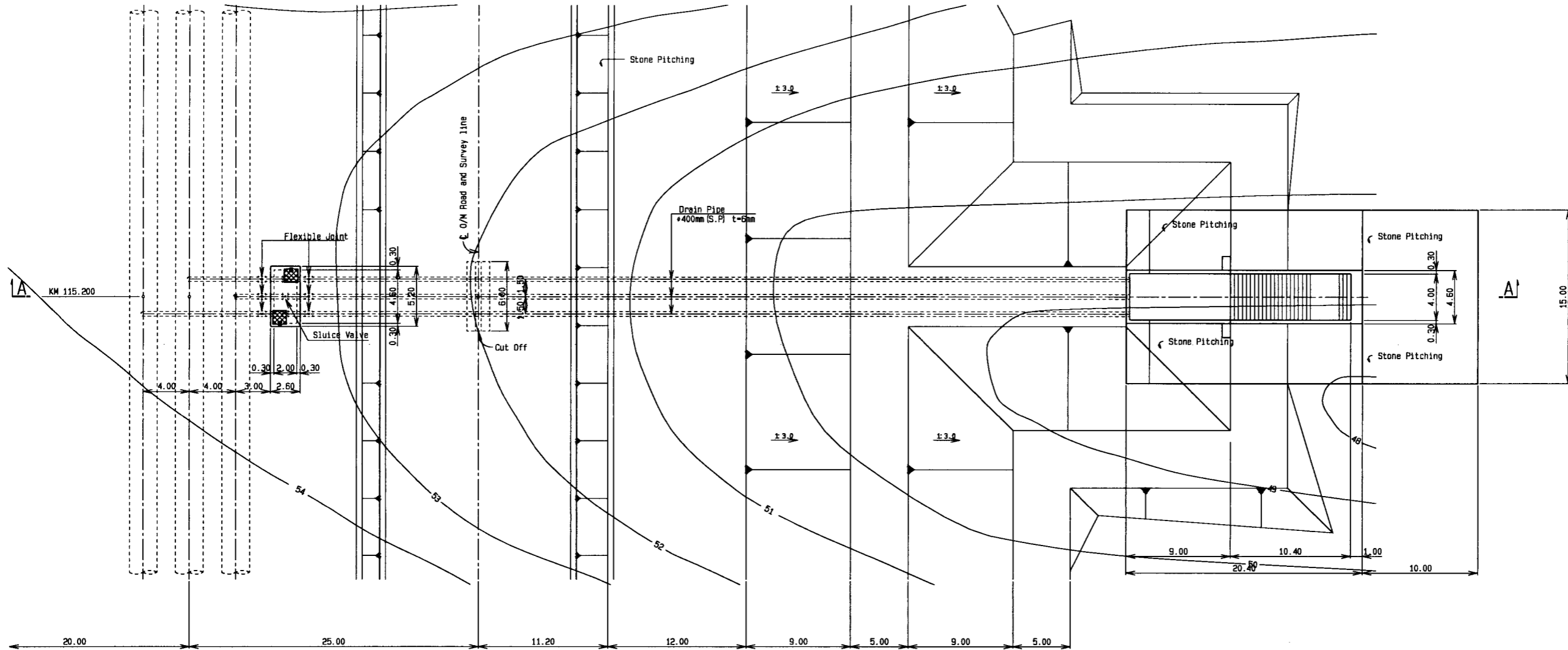
SECTION A-A



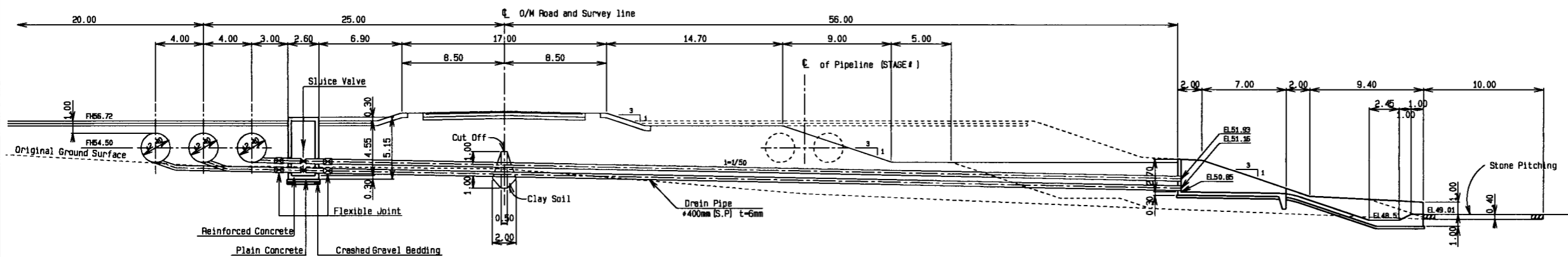
SCALE 1:400

THE ARAB REPUBLIC OF EGYPT MINISTRY OF WATER RESOURCES AND IRRIGATION NORTH SINAI DEVELOPMENT ORGANIZATION THE NORTH SINAI INTEGRATED RURAL DEVELOPMENT PROJECT (PHASE III)	
CONVEYANCE SYSTEM OF EL SHEIKH GABER EL SABBABH CANAL BETWEEN KM 108.466 AND KM118.560 EL SALAAM No.7 (BIR EL ABDI) PUMPING STATION DELIVERY PRESSURED PIPELINE PLAN AND SECTION OF BLOW OFF No.2	
JAPAN INTERNATIONAL COOPERATION AGENCY (JICA) SANYU CONSULTANTS INC, PACIFIC CONSULTANTS INTERNATIONAL	
DESIGNED	
TRACED	
CHECKED	
APPROVED	
DRAWING NO.	DPP-245

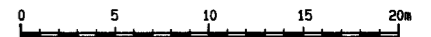
BLOW OFF NO.3



PLAN

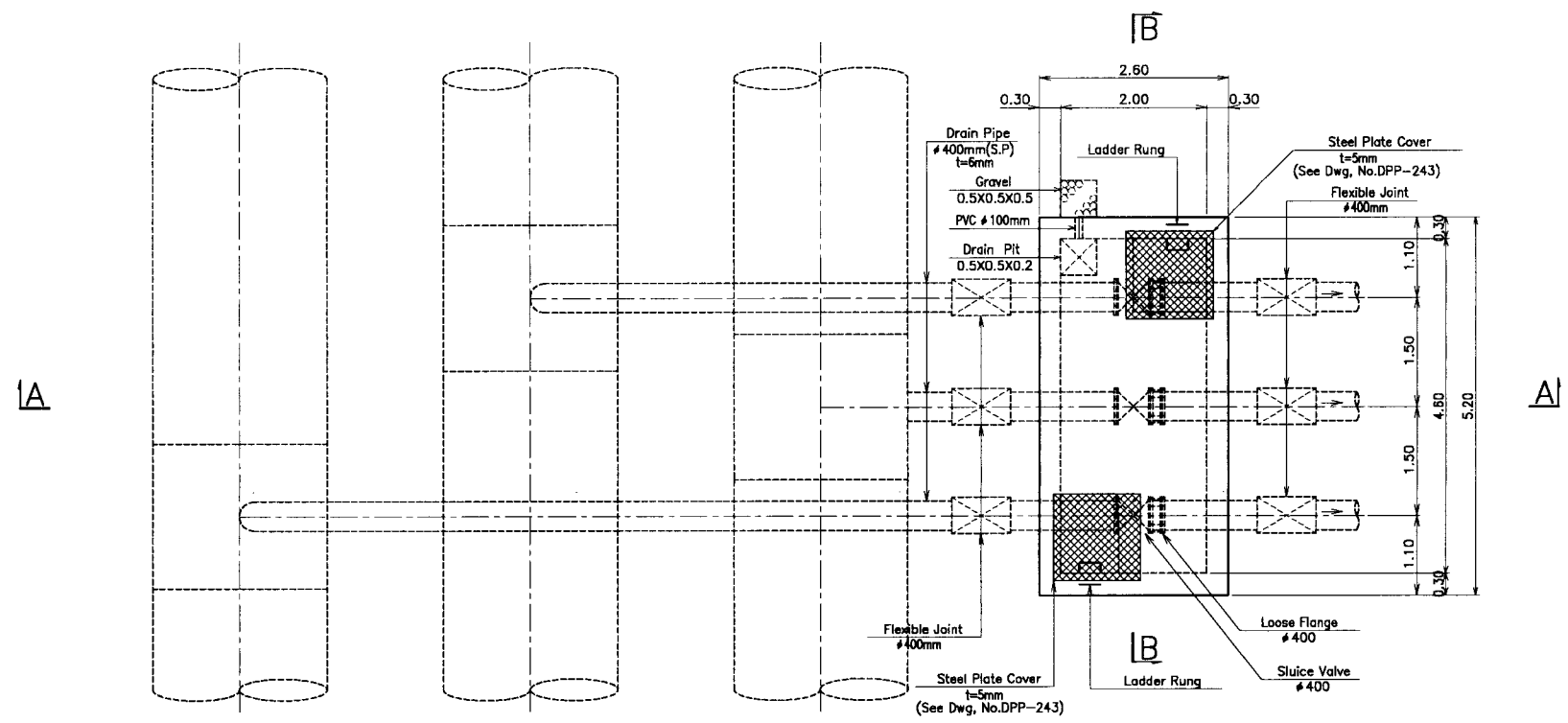


SECTION A-A

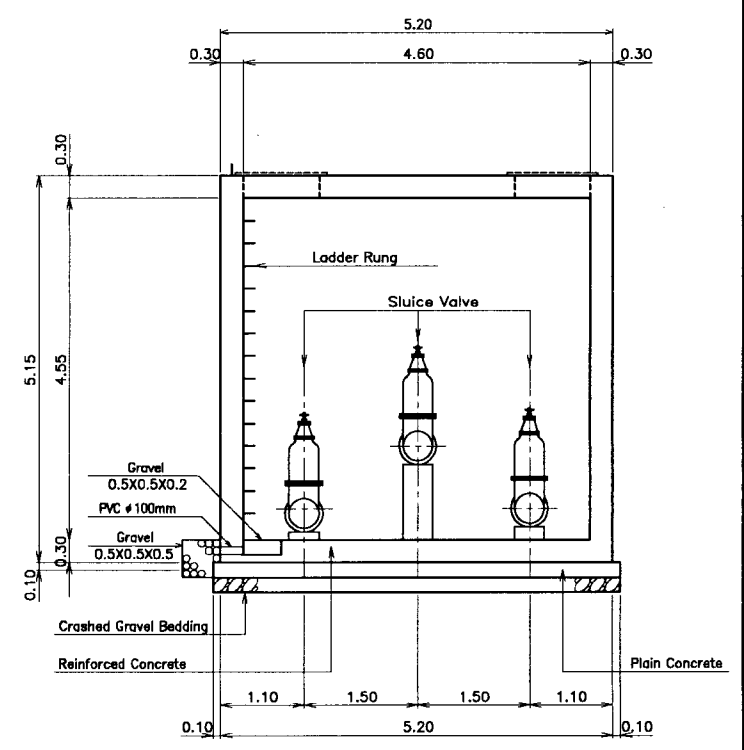


SCALE 1: 400

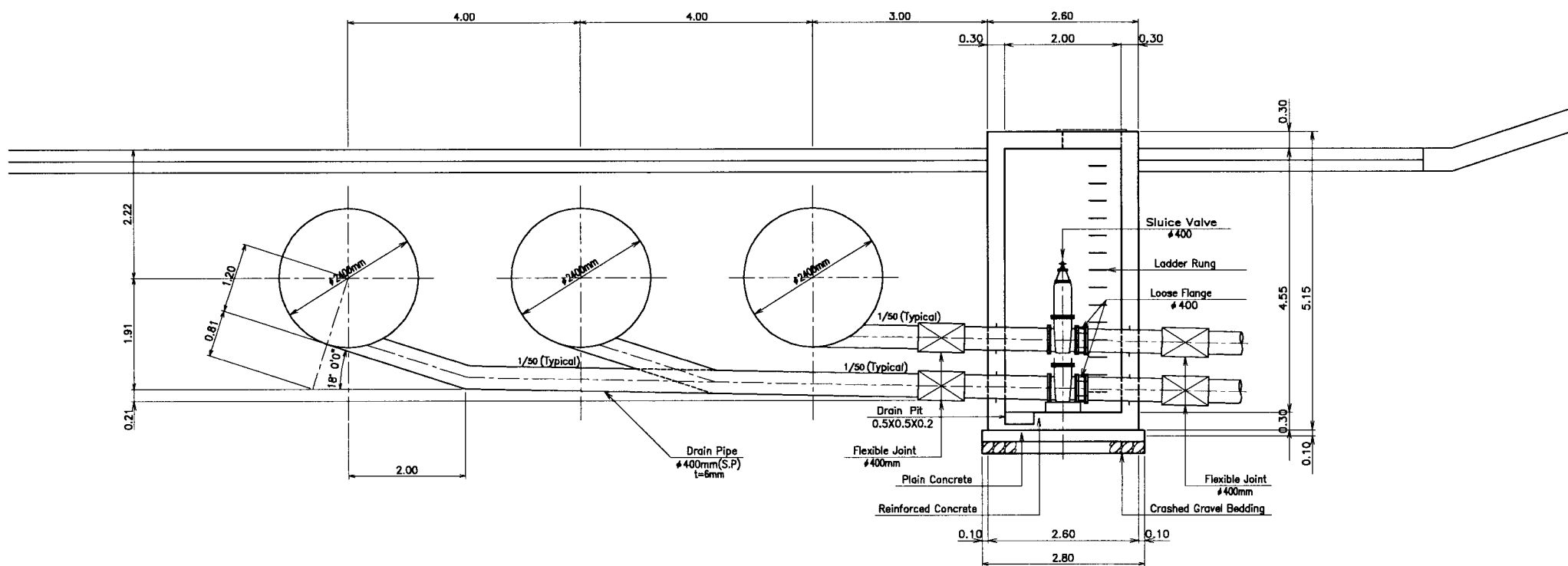
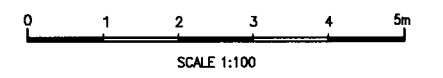
THE ARAB REPUBLIC OF EGYPT MINISTRY OF WATER RESOURCES AND IRRIGATION NORTH SINAI DEVELOPMENT ORGANIZATION THE NORTH SINAI INTEGRATED RURAL DEVELOPMENT PROJECT (PHASE III)	
CONVEYANCE SYSTEM OF EL SHEIKH GABER EL SABBAAH CANAL BETWEEN KM 108.466 AND KM118.560 EL SALAAM No.7 (BIR EL ABD) PUMPING STATION DELIVERY PRESSURED PIPELINE PLAN AND SECTION OF BLOW OFF No.3	
JAPAN INTERNATIONAL COOPERATION AGENCY (JICA) SANYU CONSULTANTS INC, PACIFIC CONSULTANTS INTERNATIONAL	
DESIGNED	
TRACED	
CHECKED	
APPROVED	
DRAWING NO.	DPP-246



PLAN
SCALE 1:100



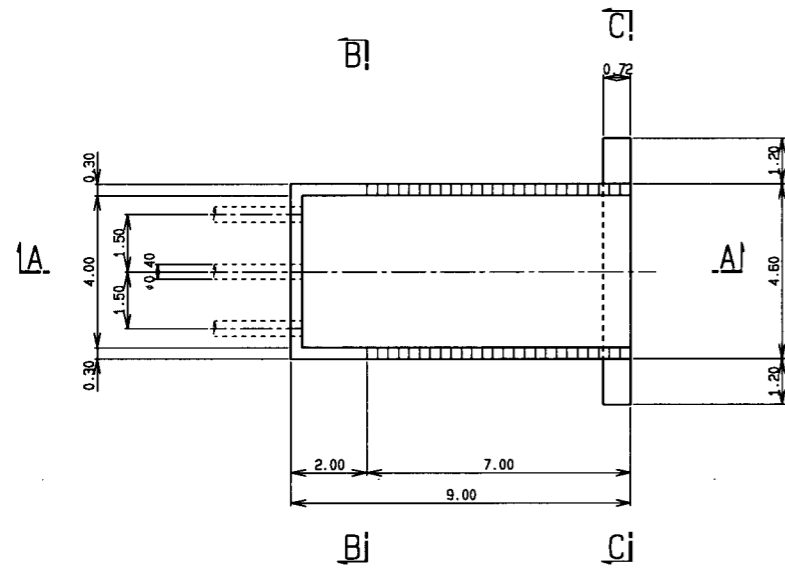
SECTION B-B
SCALE 1:100



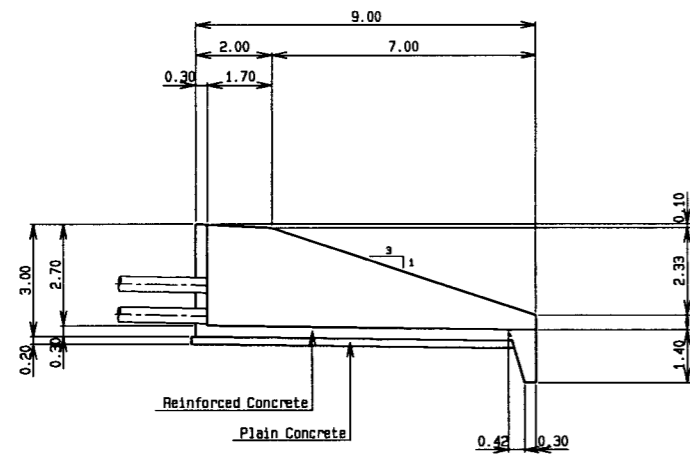
SECTION A-A
SCALE 1:100

THE ARAB REPUBLIC OF EGYPT MINISTRY OF WATER RESOURCES AND IRRIGATION NORTH SINAI DEVELOPMENT ORGANIZATION THE NORTH SINAI INTEGRATED RURAL DEVELOPMENT PROJECT (PHASE III) CONVEYANCE SYSTEM OF EL SHEIKH GABER EL SABBABH CANAL BETWEEN KM 108.466 AND KM 118.560 EL SALAAM No.7 (BIR EL ABD) PUMPING STATION DELIVERY PRESSURED PIPELINE PLAN AND SECTIONS OF BLOW OFFS No.1, No.2 and No.3 (1/2)	
JAPAN INTERNATIONAL COOPERATION AGENCY (JICA) SANYU CONSULTANTS INC, PACIFIC CONSULTANTS INTERNATIONAL	
DESIGNED	
TRACED	
CHECKED	
APPROVED	
DRAWING NO.	DPP-247

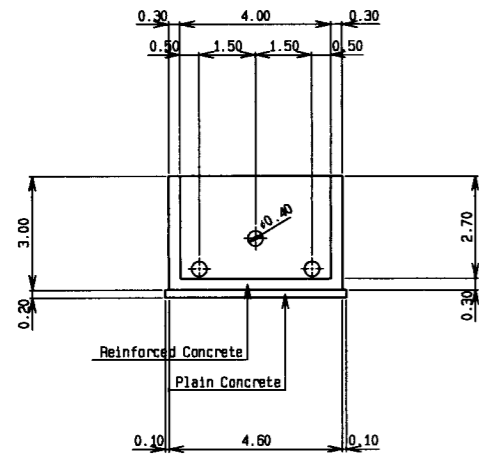
BLOW OFFS NO.1 and NO.2



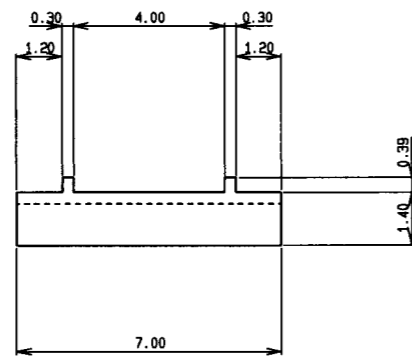
PLAN



SECTION A-A

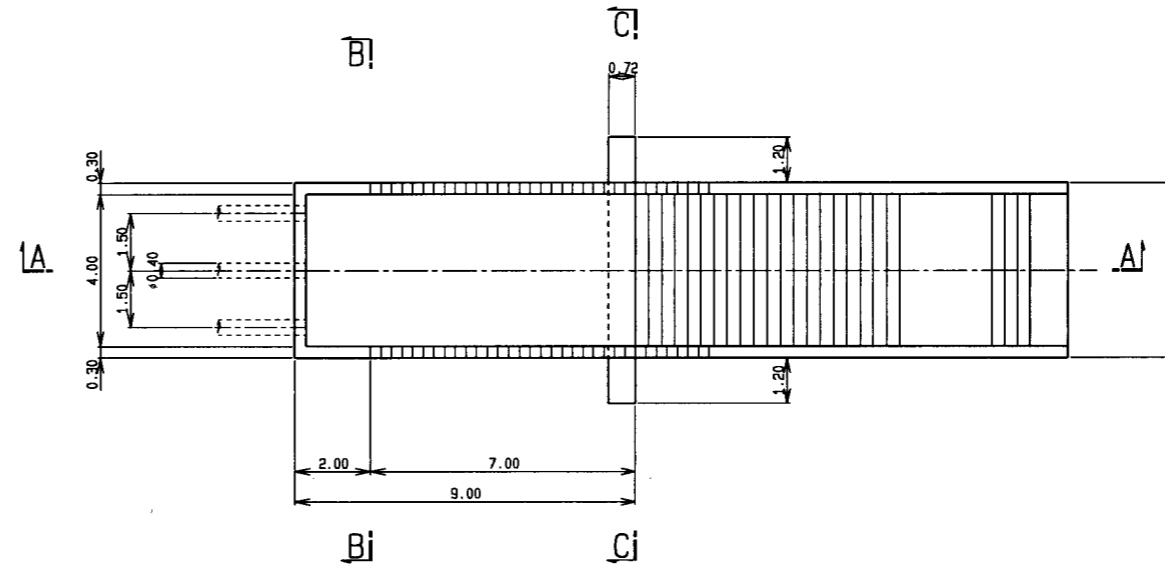


SECTION B-B

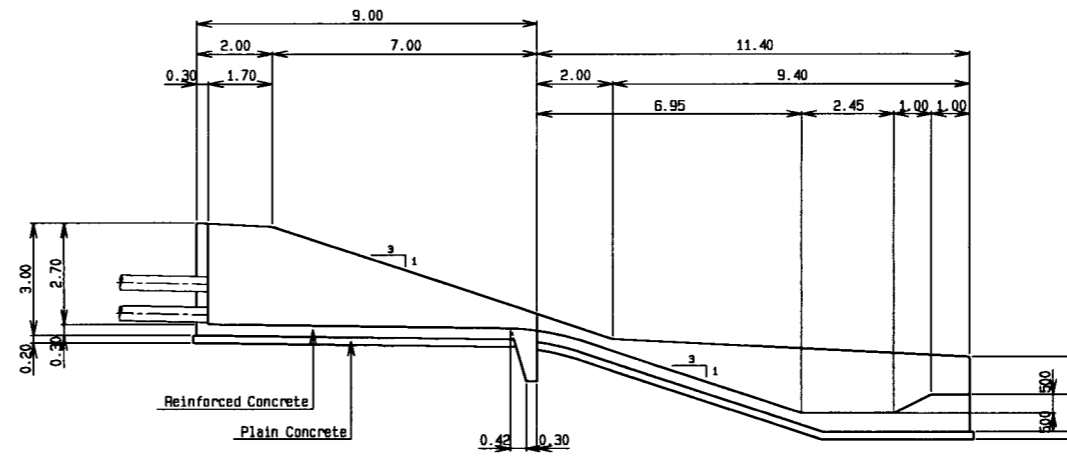


SECTION C-C

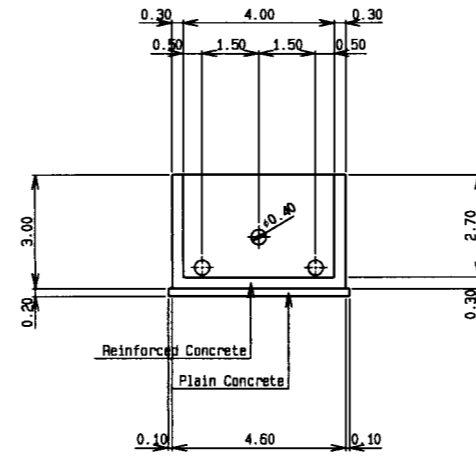
BLOW OFF NO.3



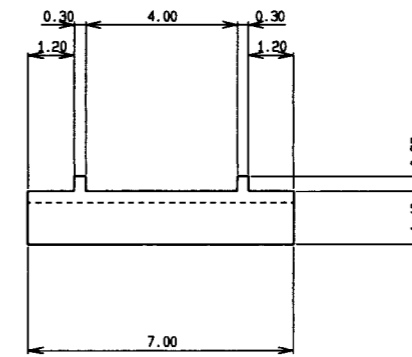
PLAN



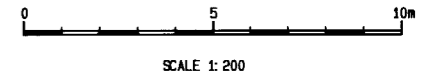
SECTION A-A



SECTION B-B

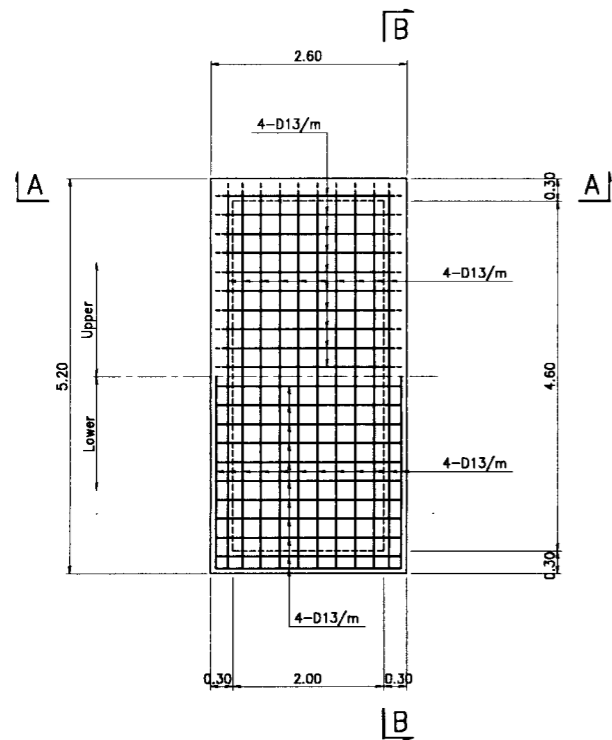


SECTION C-C

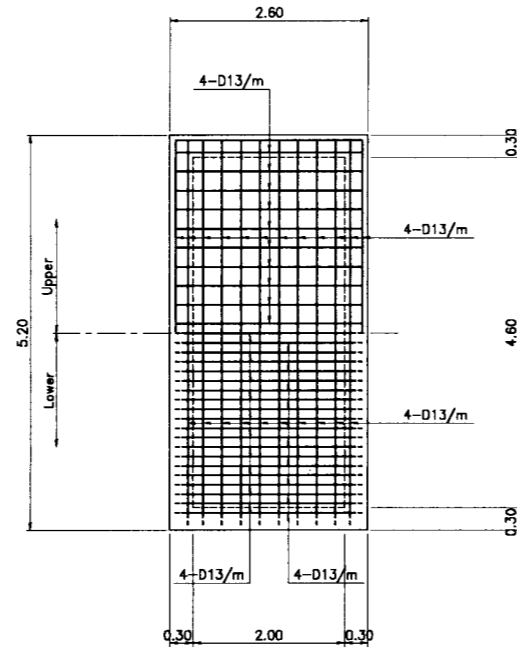


THE ARAB REPUBLIC OF EGYPT MINISTRY OF WATER RESOURCES AND IRRIGATION NORTH SINAI DEVELOPMENT ORGANIZATION THE NORTH SINAI INTEGRATED RURAL DEVELOPMENT PROJECT (PHASE III) CONVEYANCE SYSTEM OF EL SHEIKH GABER EL SABBABH CANAL BETWEEN KM 108.466 AND KM118.560 EL SALAAM No.7 (BIR EL ABD) PUMPING STATION DELIVERY PRESSURED PIPELINE PLAN AND SECTIONS OF BLOW OFFS No.1, No.2 and No.3 (2/2)	
JAPAN INTERNATIONAL COOPERATION AGENCY (JICA) SANYU CONSULTANTS INC, PACIFIC CONSULTANTS INTERNATIONAL	
DESIGNED	
TRACED	
CHECKED	
APPROVED	
DRAWING NO.	DPP-248

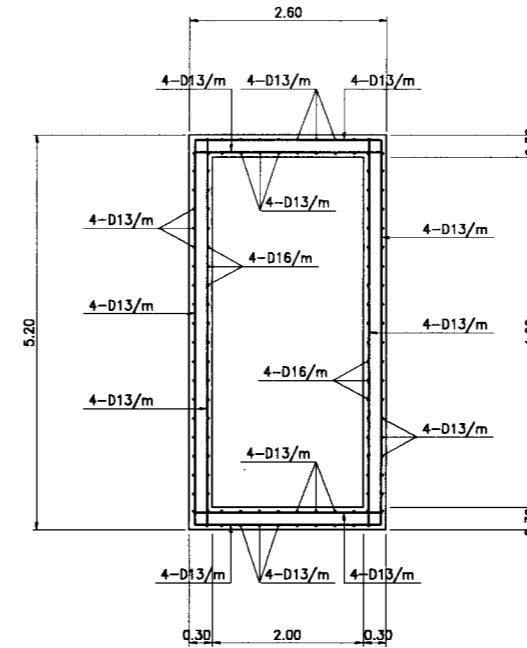
BLOW OFF WORKS (1/3)
SCALE 1:100



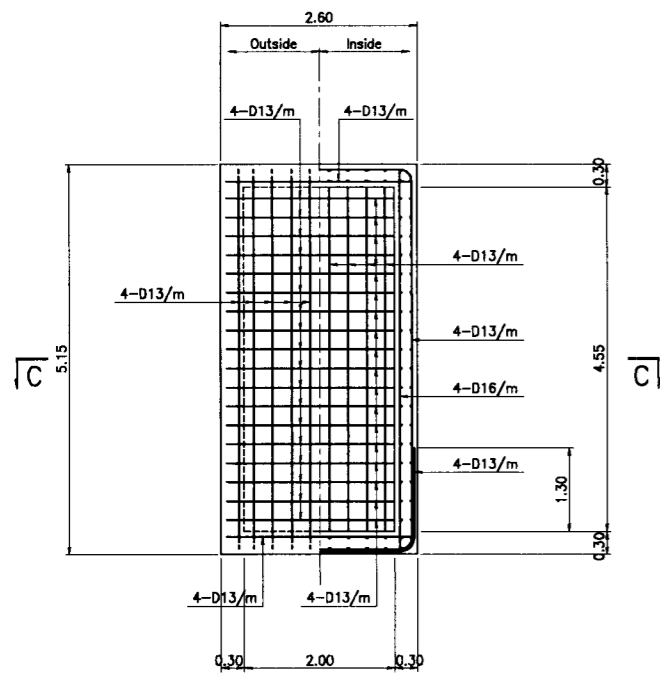
TOP SLAB



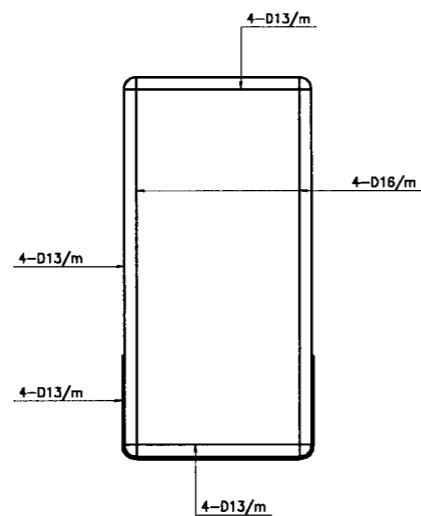
BOTTOM SLAB



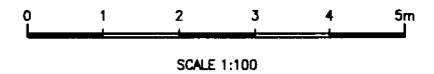
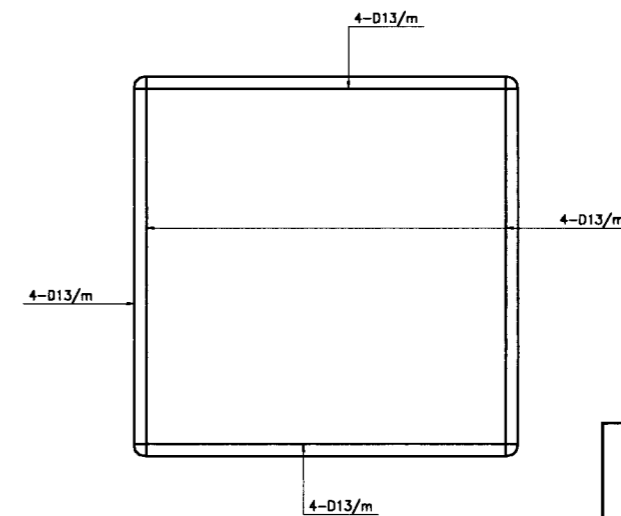
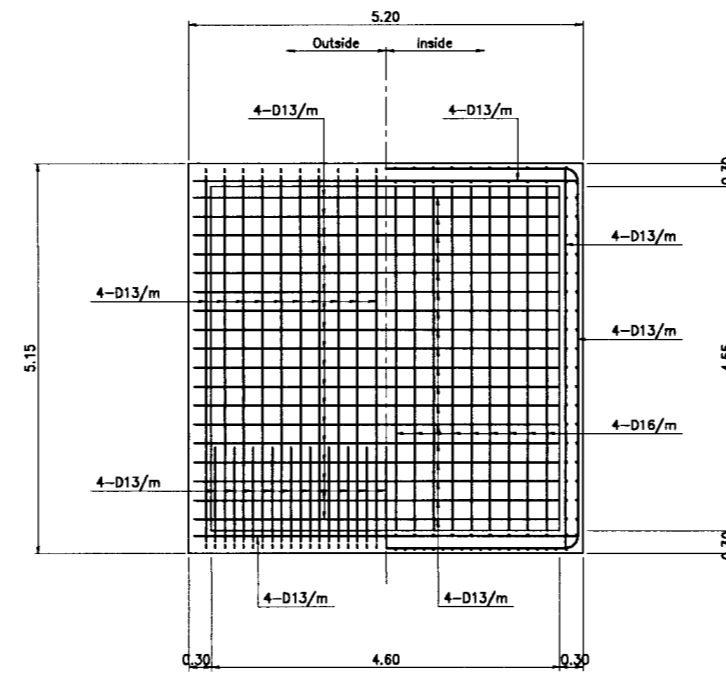
SECTION C-C



SECTION A-A



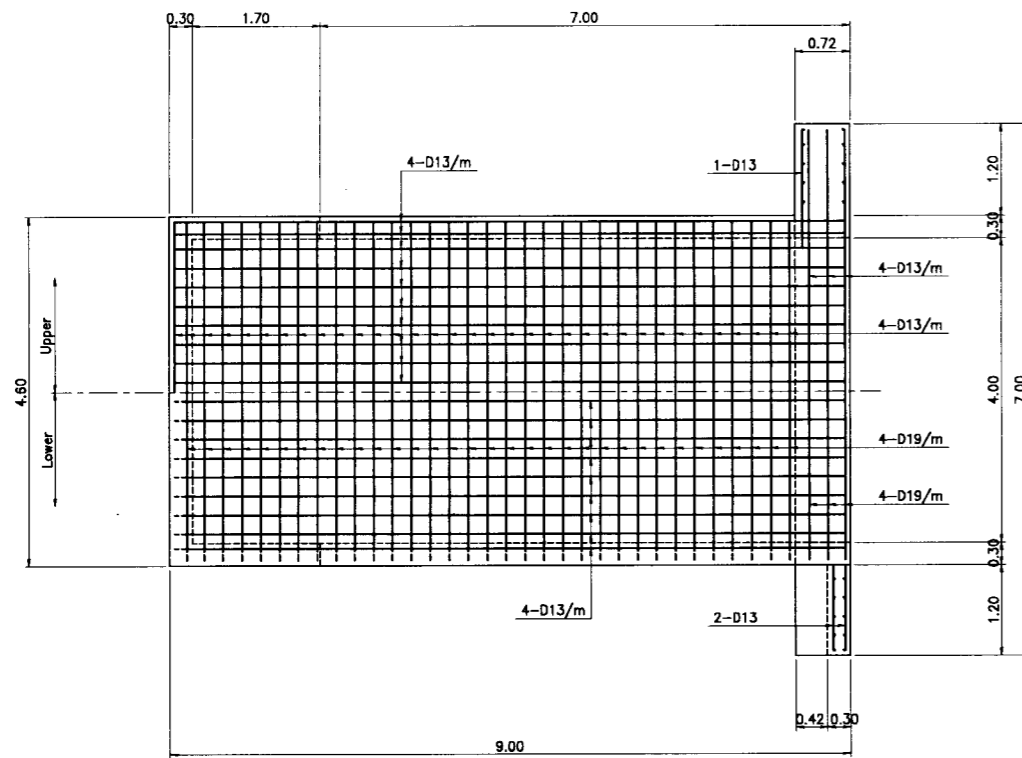
SECTION B-B



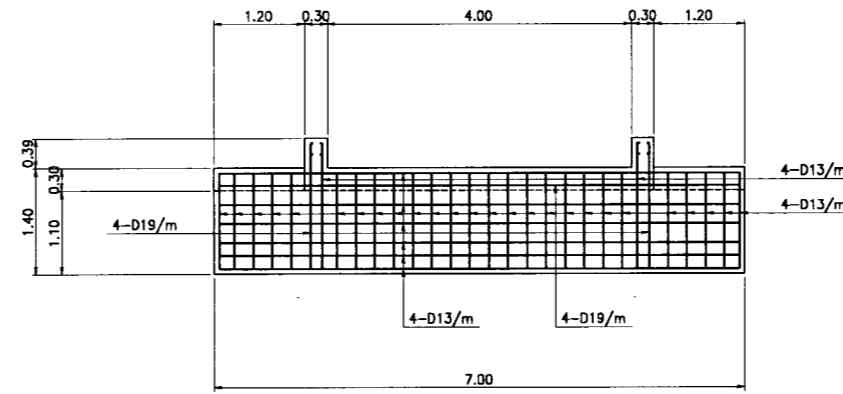
THE ARAB REPUBLIC OF EGYPT MINISTRY OF WATER RESOURCES AND IRRIGATION NORTH SINAI DEVELOPMENT ORGANIZATION	
THE NORTH SINAI INTEGRATED RURAL DEVELOPMENT PROJECT (PHASE III)	
CONVEYANCE SYSTEM OF EL SHEIKH GABER EL SABBABH CANAL BETWEEN KM 108.466 AND KM 118.560 EL SALAAM No.7 (BIR EL ABD) PUMPING STATION	
DELIVERY PRESSURED PIPELINE BLOW OFFS No.1, No.2 and No.3 REINFORCEMENTS (1/3)	
JAPAN INTERNATIONAL COOPERATION AGENCY (JICA) SANYU CONSULTANTS INC, PACIFIC CONSULTANTS INTERNATIONAL	
DESIGNED	
TRACED	
CHECKED	
APPROVED	
DRAWING NO.	DPP-249

BLOW OFF WORKS (2/3)
SCALE 1:100

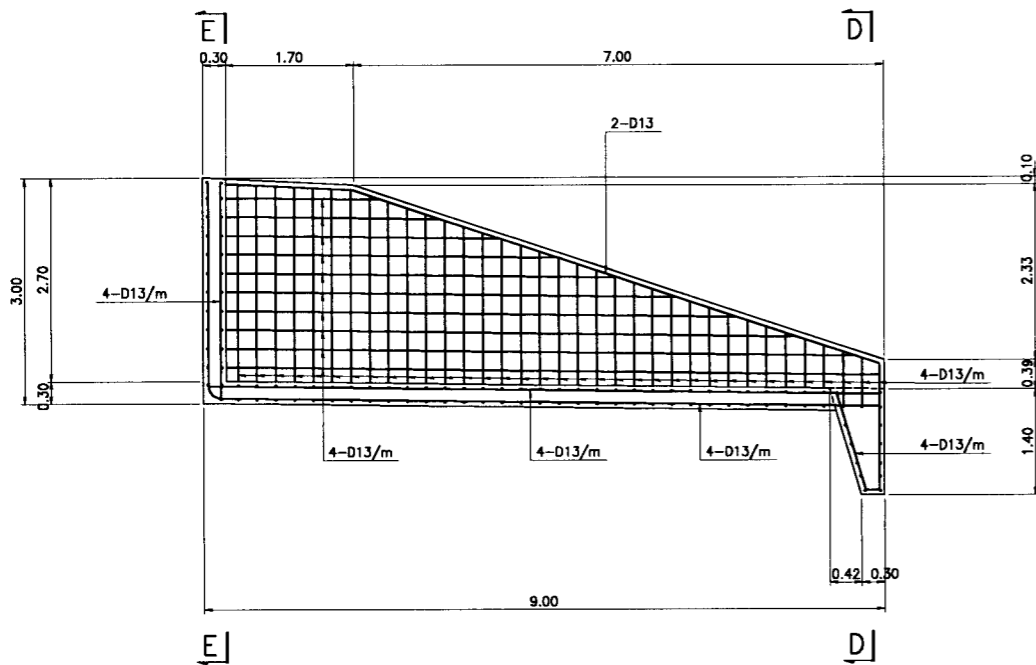
OUTLET OF BLOW OFF No.1 , No.2 AND No.3



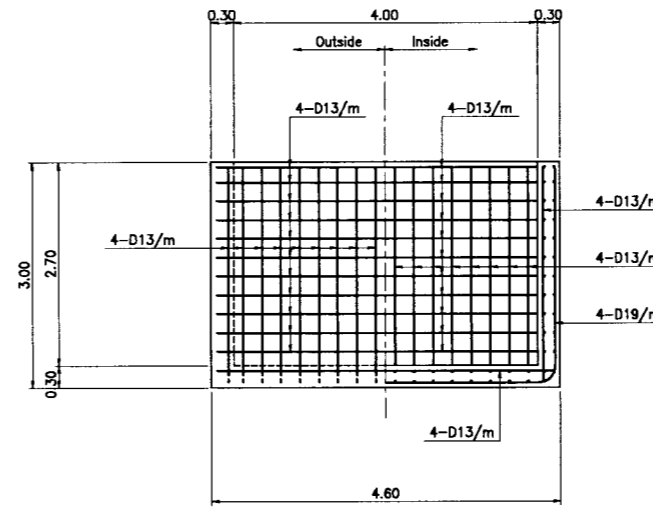
BOTTOM SLAB



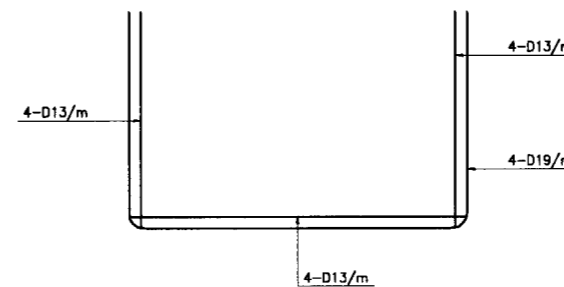
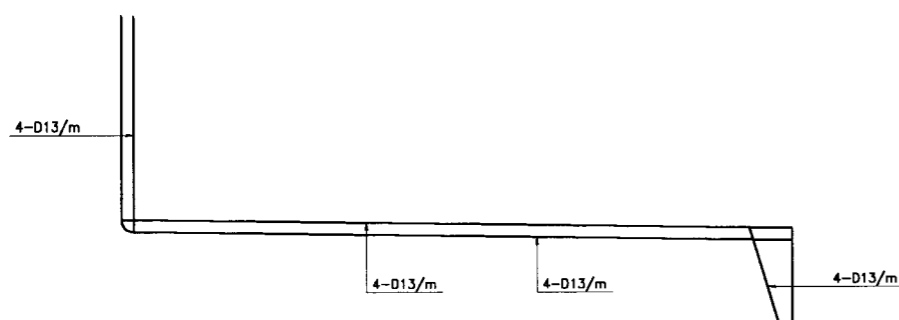
SECTION D-D



SECTION E-E



SCALE 1:100

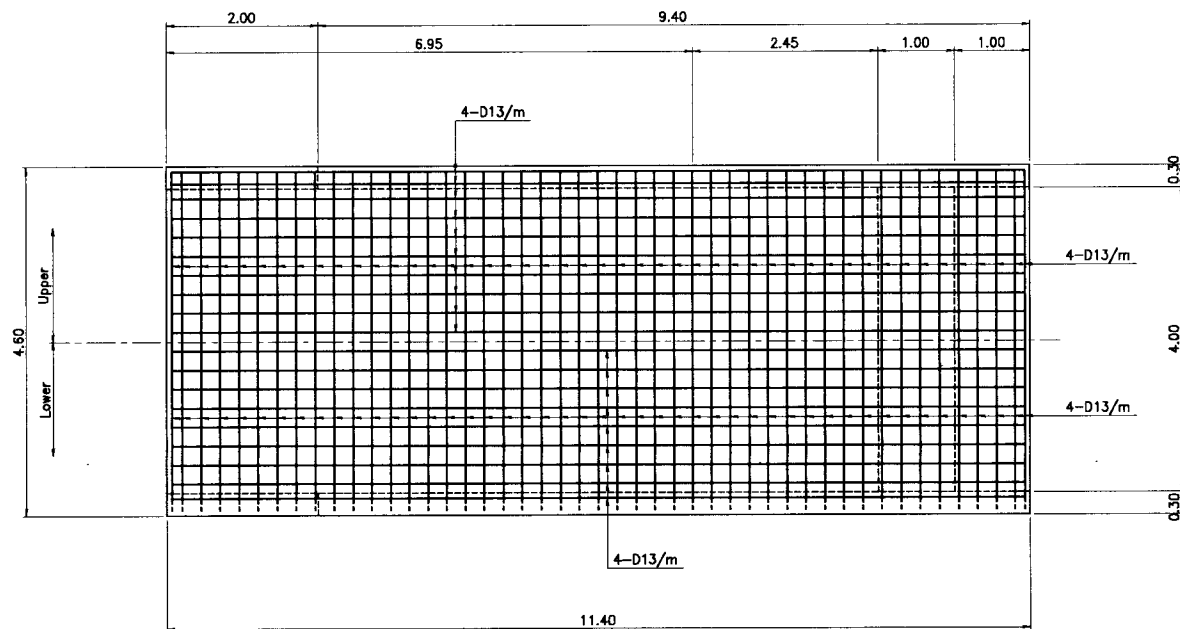


THE ARAB REPUBLIC OF EGYPT MINISTRY OF WATER RESOURCES AND IRRIGATION NORTH SINAI DEVELOPMENT ORGANIZATION THE NORTH SINAI INTEGRATED RURAL DEVELOPMENT PROJECT (PHASE III) CONVEYANCE SYSTEM OF EL SHEIKH GABER EL SABBABH CANAL BETWEEN KM 108.466 AND KM 118.560 EL SALAAM No.7 (BIR EL ABD) PUMPING STATION DELIVERY PRESSURED PIPELINE BLOW OFFS No.1 , No.2 and No.3 REINFORCEMENTS (2/3)	
JAPAN INTERNATIONAL COOPERATION AGENCY (JICA) SANYU CONSULTANTS INC,PACIFIC CONSULTANTS INTERNATIONAL	
DESIGNED	
TRACED	
CHECKED	
APPROVED	
DRAWING NO.	DPP-250

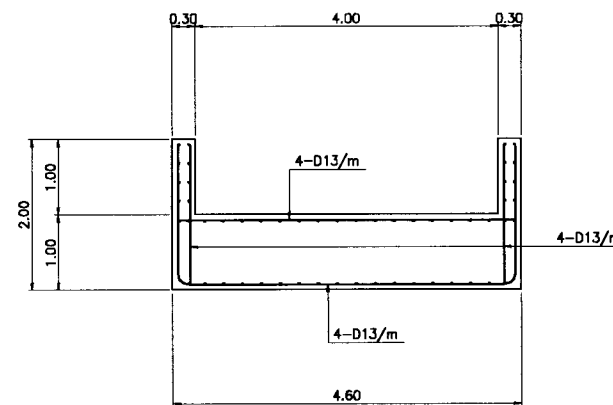
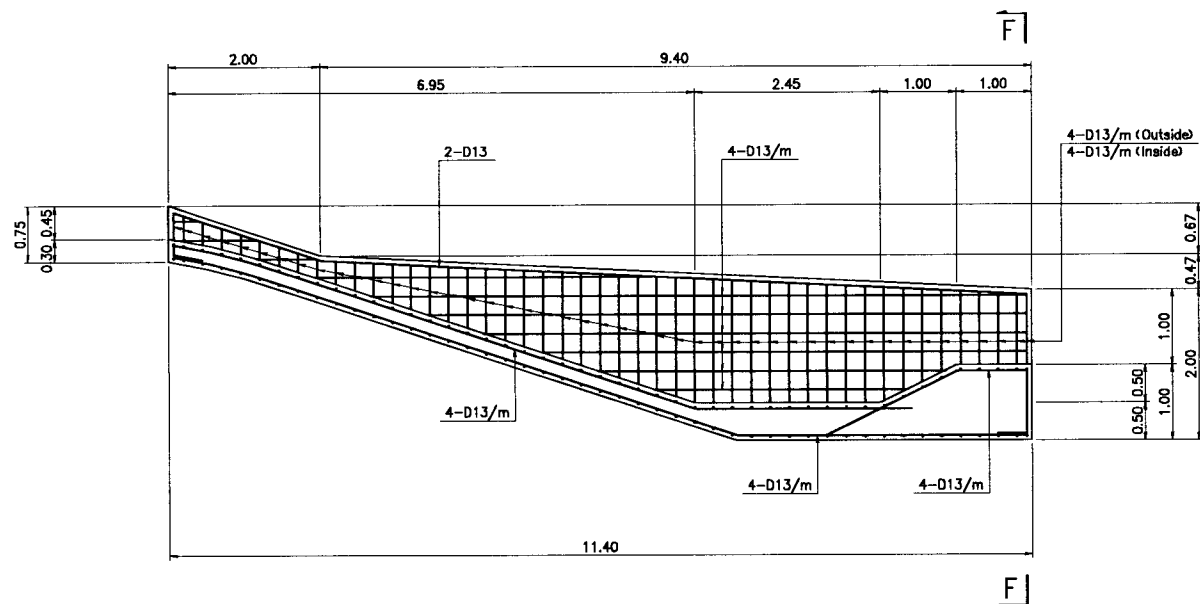
BLOW OFF WORKS (3/3)

SCALE 1:100

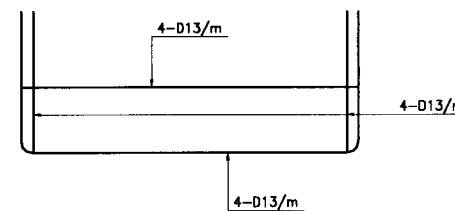
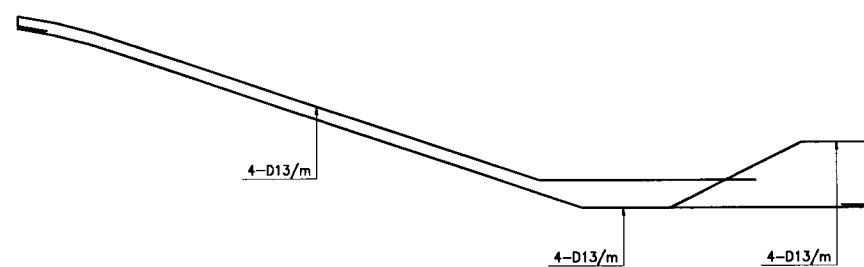
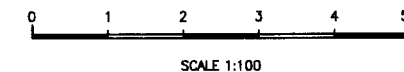
OUTLET OF BLOW OFF No.3



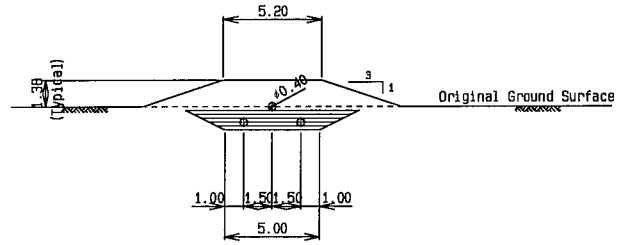
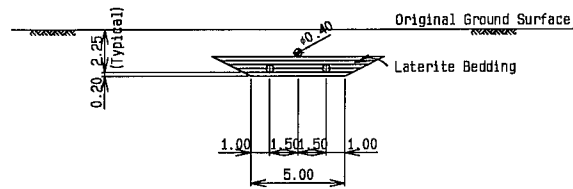
BOTTOM SLAB



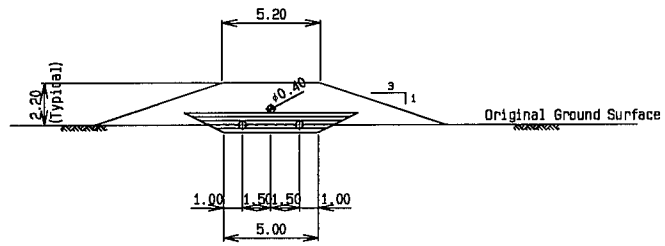
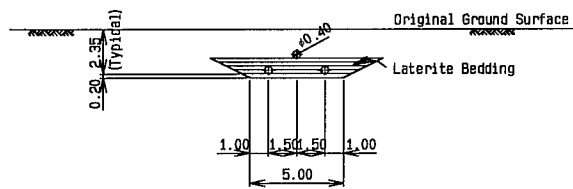
SECTION F-F



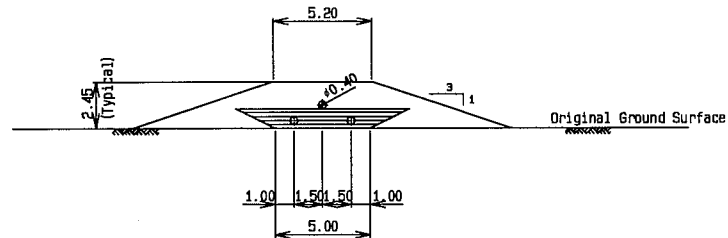
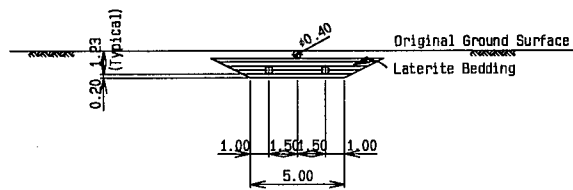
THE ARAB REPUBLIC OF EGYPT MINISTRY OF WATER RESOURCES AND IRRIGATION NORTH SINAI DEVELOPMENT ORGANIZATION	
THE NORTH SINAI INTEGRATED RURAL DEVELOPMENT PROJECT (PHASE III)	
CONVEYANCE SYSTEM OF EL SHEIKH GABER EL SABBABH CANAL BETWEEN KM 108.466 AND KM 118.560 EL SALAAM No.7 (BIR EL ABD) PUMPING STATION	
DELIVERY PRESSURED PIPELINE BLOW OFFS No.1, No.2 and No.3 REINFORCEMENTS (3/3)	
JAPAN INTERNATIONAL COOPERATION AGENCY (JICA) SANYU CONSULTANTS INC., PACIFIC CONSULTANTS INTERNATIONAL	
DESIGNED	
TRACED	
CHECKED	
APPROVED	
DRAWING NO.	DPP-251



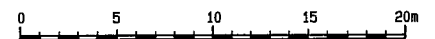
CROSS SECTION OF BLOW OFF NO.1



CROSS SECTION OF BLOW OFF NO.2



CROSS SECTION OF BLOW OFF NO.3



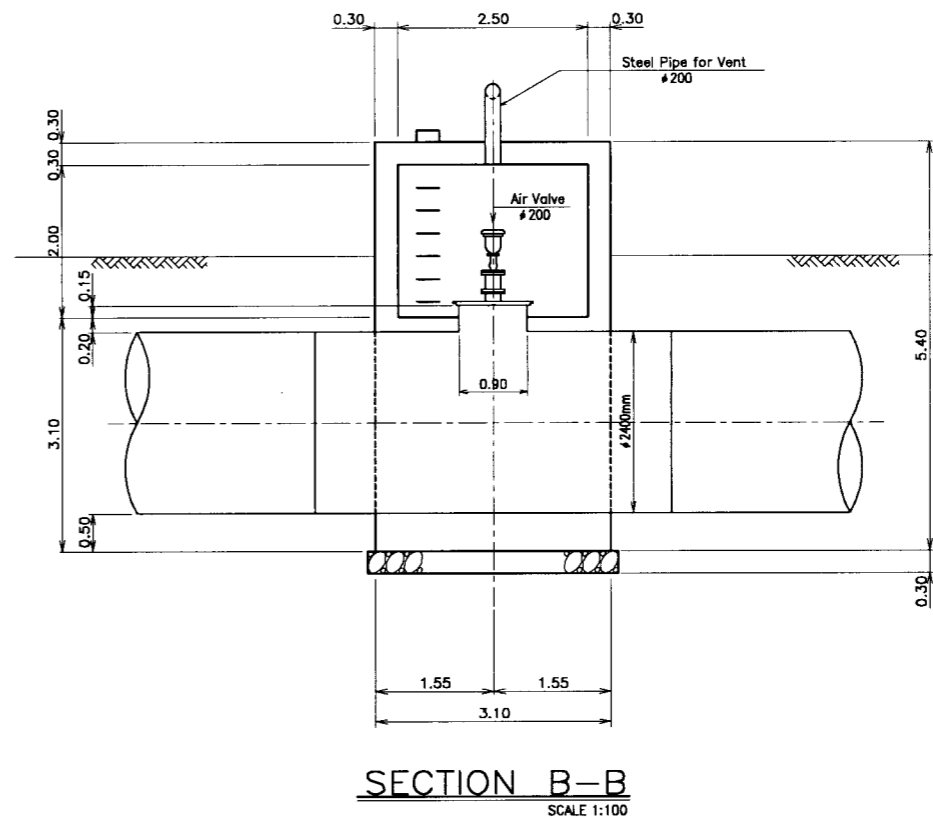
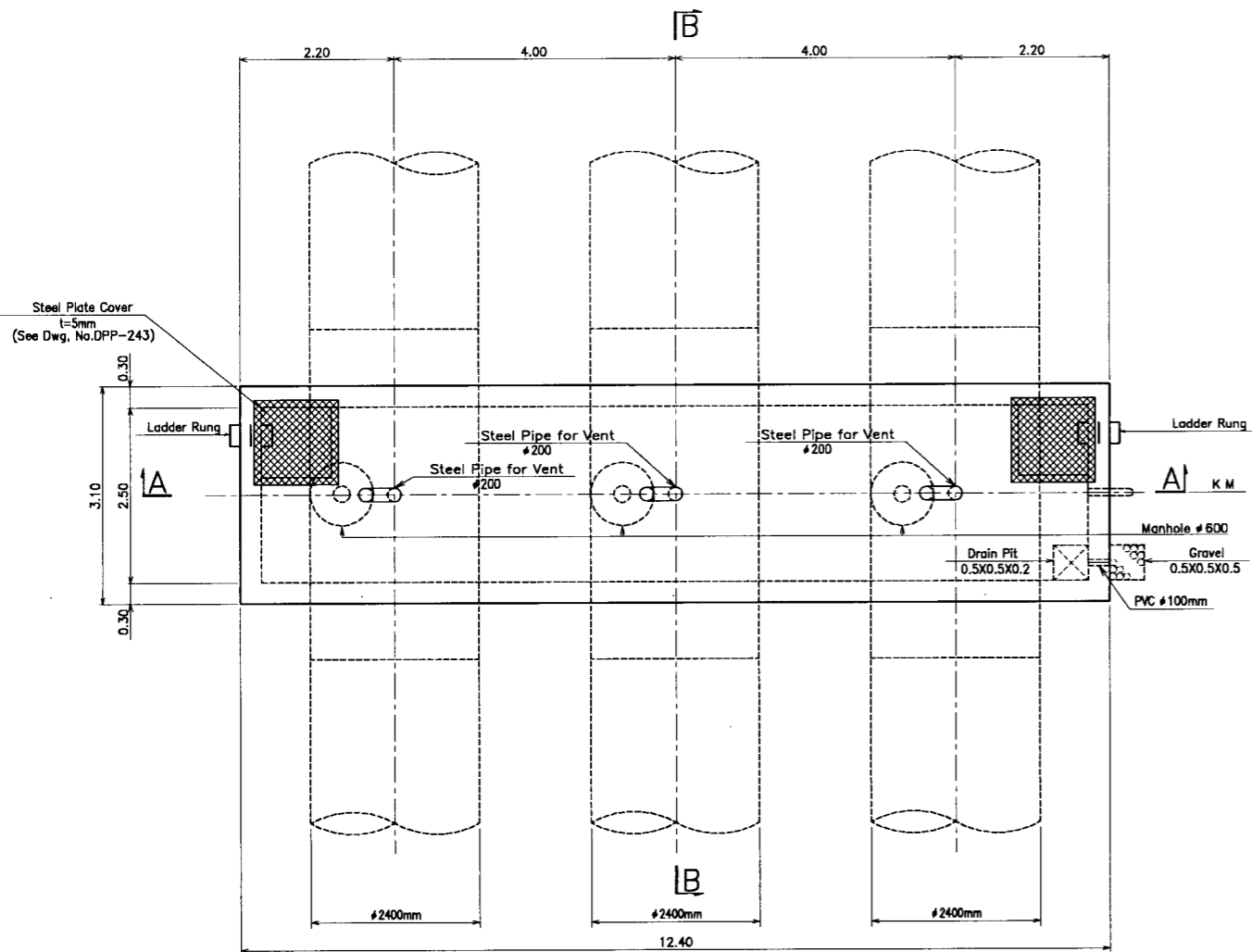
SCALE 1:400

THE ARAB REPUBLIC OF EGYPT
 MINISTRY OF WATER RESOURCES AND IRRIGATION
 NORTH SINAI DEVELOPMENT ORGANIZATION
 THE NORTH SINAI INTEGRATED RURAL
 DEVELOPMENT PROJECT (PHASE III)

CONVEYANCE SYSTEM OF EL SHEIKH GABER EL SABBABH CANAL
 BETWEEN KM 108.466 AND KM118.560
 EL SALAAM No.7 (BIR EL ABD) PUMPING STATION
 DELIVERY PRESSURED PIPELINE
 CROSS SECTIONS OF BLOW OFFS
 No.1, No.2 and No.3

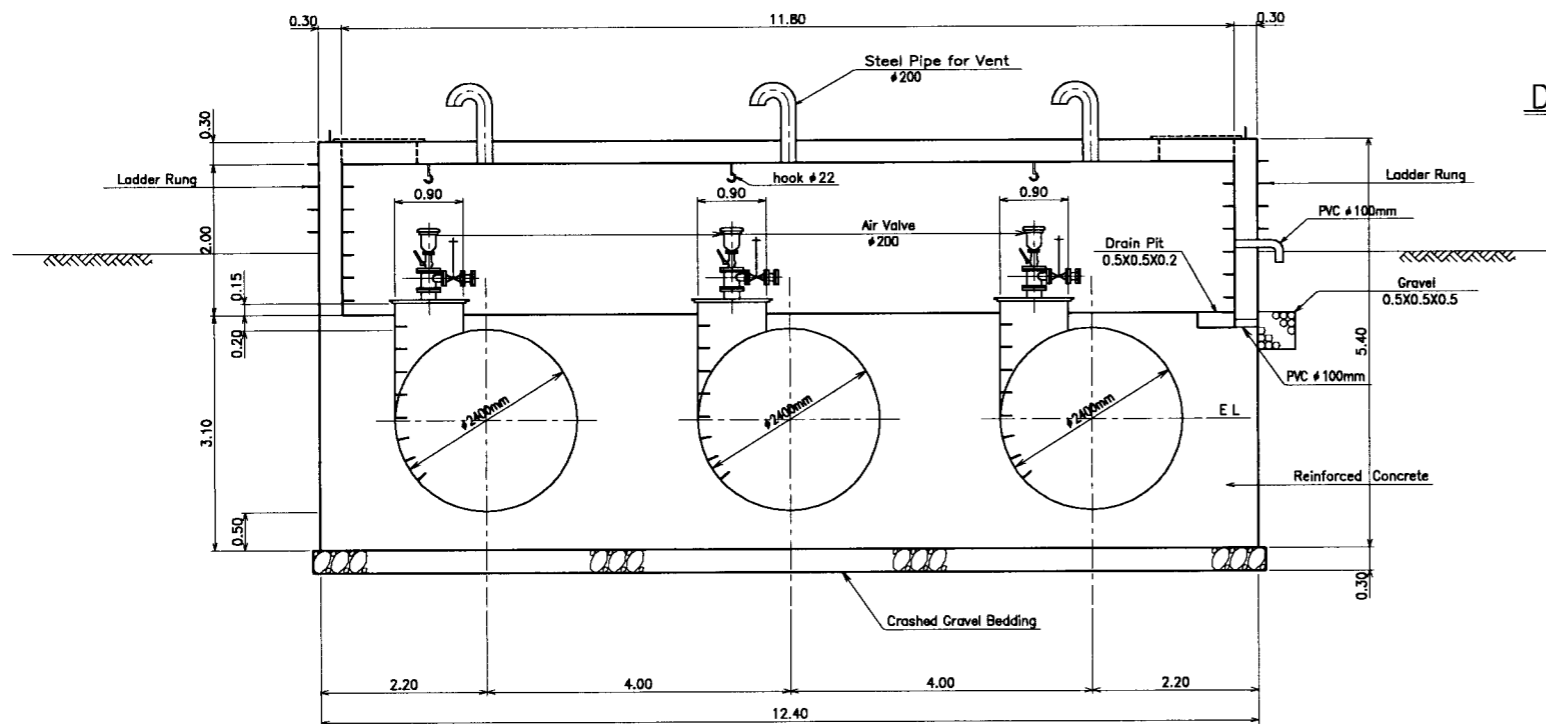
JAPAN INTERNATIONAL COOPERATION AGENCY (JICA)
 SANYU CONSULTANTS INC, PACIFIC CONSULTANTS INTERNATIONAL

DESIGNED	
TRACED	
CHECKED	
APPROVED	
DRAWING NO.	DPP-252

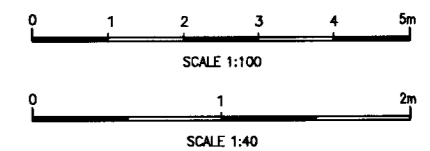
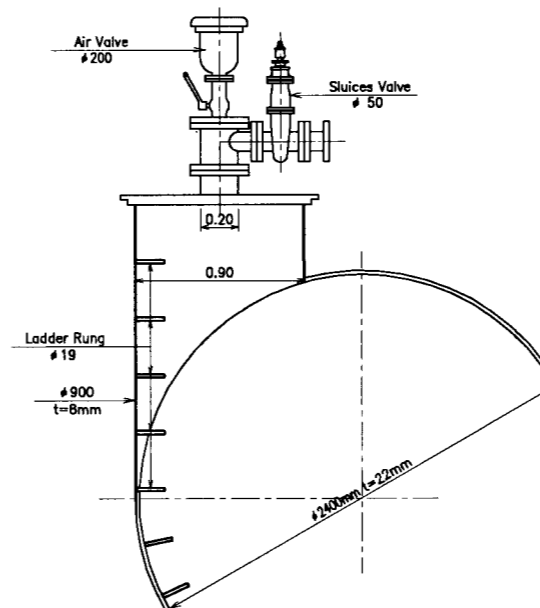


LONGITUDINAL DISTANCE AND ELEVATIONS OF AIR VALVES

	KM	EL.
NO.1	109.24017	23.80
NO.2	110.410	50.17
NO.3	111.100	51.17
NO.4	111.74614	52.00
NO.5	113.200	52.50
NO.6	114.770	64.10
NO.7	115.800	57.25
NO.8	116.400	60.02
NO.9	117.300	73.00



DETAIL OF AIR VALVE AND WATER FOR GREEN VELTS
SCALE 1:40



THE ARAB REPUBLIC OF EGYPT
MINISTRY OF WATER RESOURCES AND IRRIGATION
NORTH SINAI DEVELOPMENT ORGANIZATION

THE NORTH SINAI INTEGRATED RURAL DEVELOPMENT PROJECT (PHASE III)

CONVEYANCE SYSTEM OF EL SHEIKH GABER EL SABBABH CANAL BETWEEN KM 108.466 AND KM 118.560
EL SALAAM No.7 (BIR EL ABD) PUMPING STATION
DELIVERY PRESSURED PIPELINE
PLAN AND SECTIONS OF AIR VALVES

JAPAN INTERNATIONAL COOPERATION AGENCY (JICA)
SANYU CONSULTANTS INC., PACIFIC CONSULTANTS INTERNATIONAL

DESIGNED	
TRACED	
CHECKED	
APPROVED	
DRAWING NO.	DPP-253