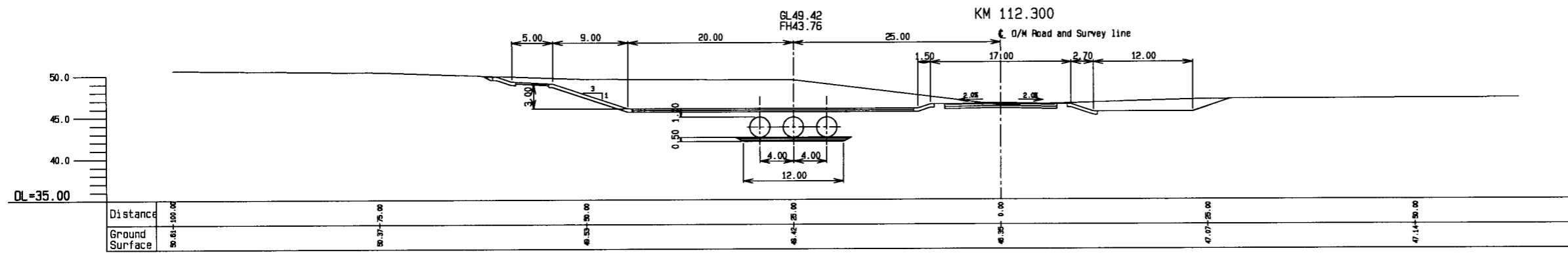
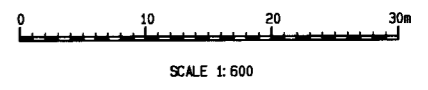
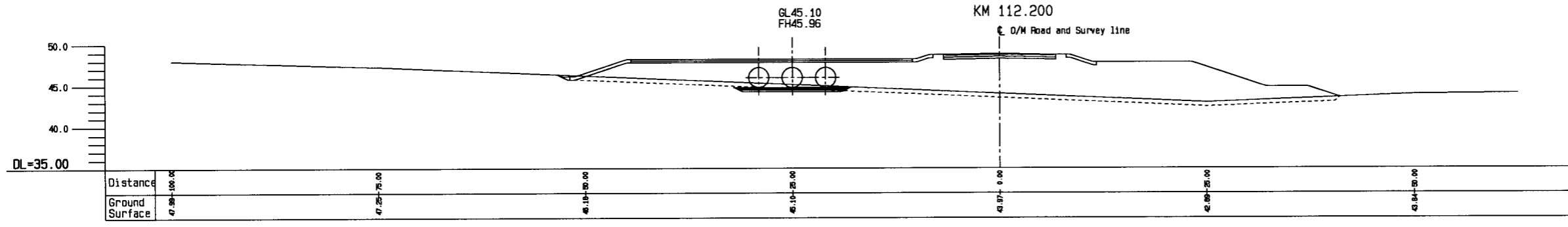
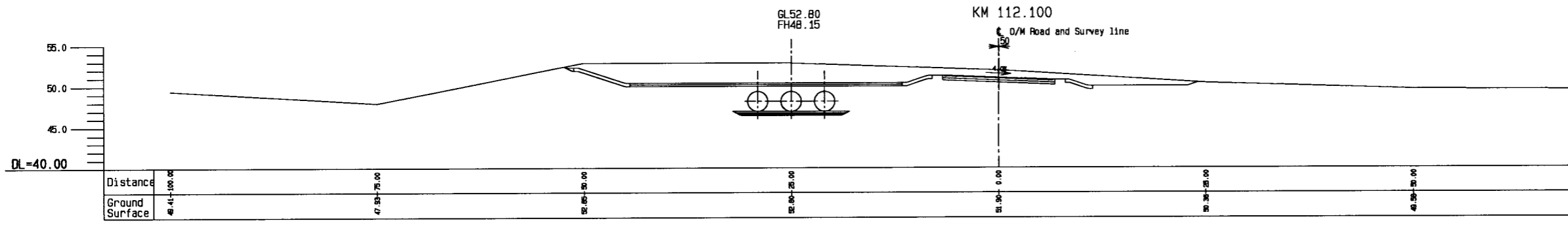
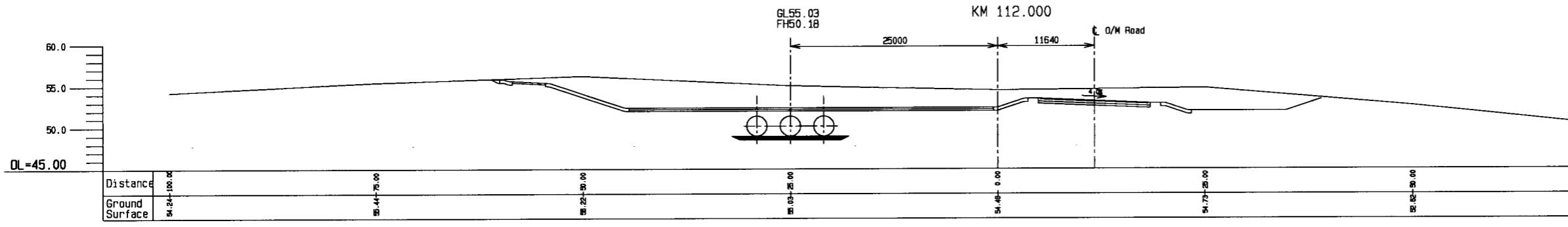


NOTES:  
 (1) Elevations of FH are at center of pipe,  
 (2) For detail of typical cross section of Pipeline and O/M Road, see Dwg. No. DPP-229.

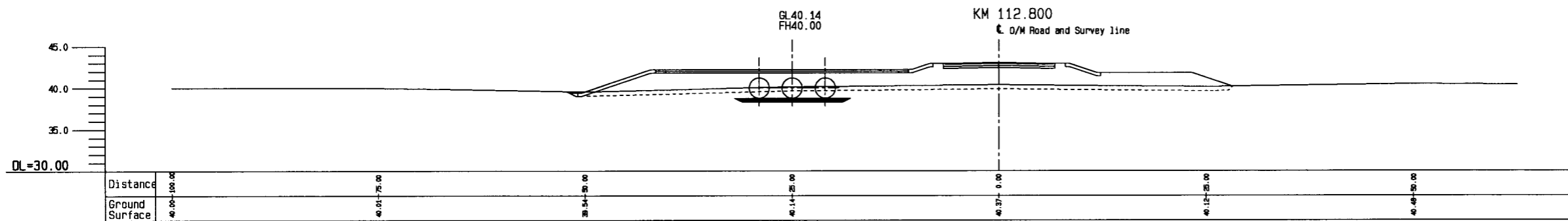
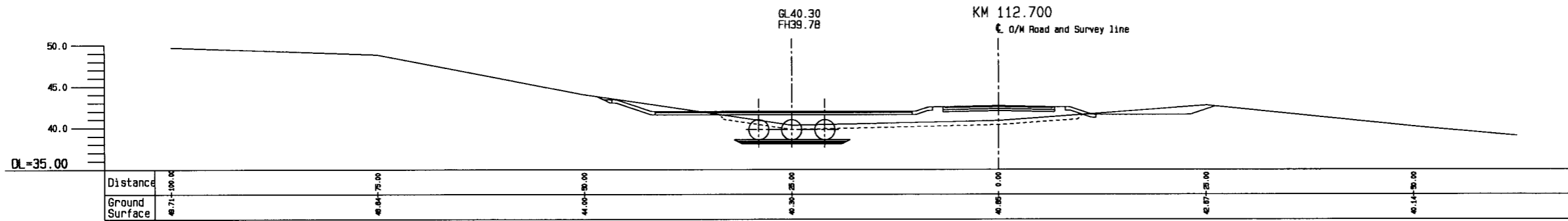
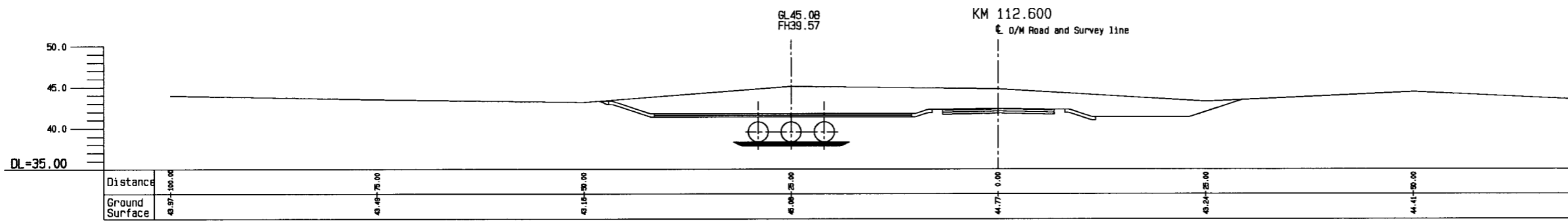
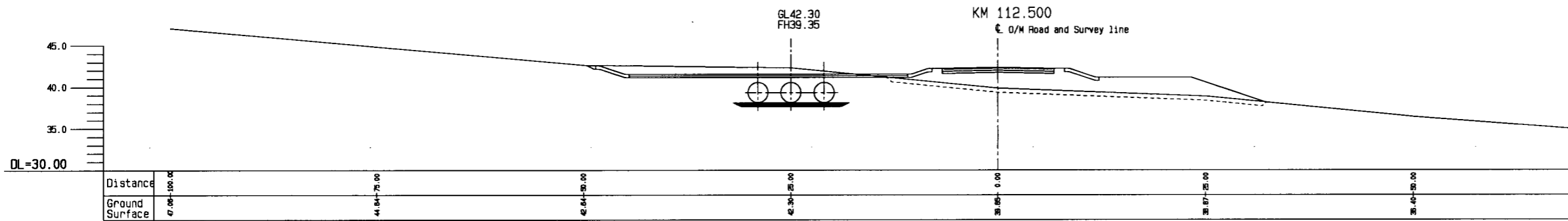
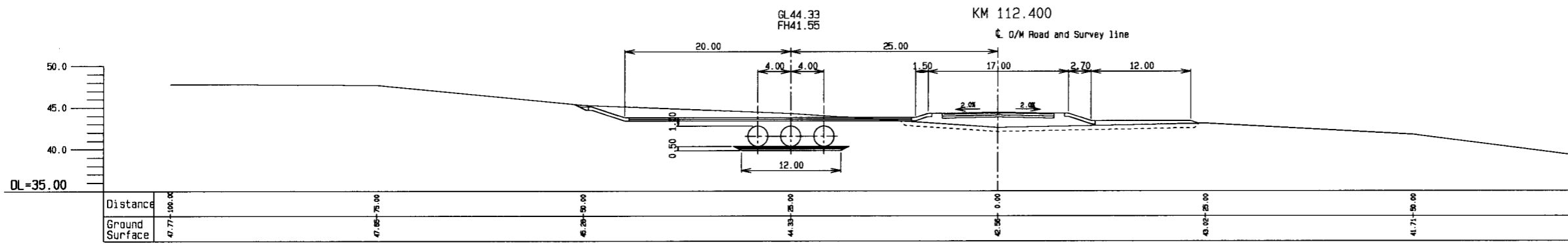


THE ARAB REPUBLIC OF EGYPT  
 MINISTRY OF WATER RESOURCES AND IRRIGATION  
 NORTH SINAI DEVELOPMENT ORGANIZATION  
 THE NORTH SINAI INTEGRATED RURAL  
 DEVELOPMENT PROJECT (PHASE III)

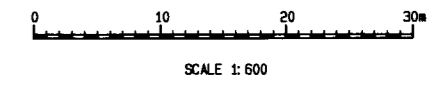
CONVEYANCE SYSTEM OF EL SHEIKH GABER EL SABBABH CANAL  
 BETWEEN KM 109.465 AND KM 118.560  
 EL SALAAM No.7 (BIR EL ABD) PUMPING STATION  
 DELIVERY PRESSURED PIPELINE  
 CROSS SECTIONS OF PIPELINE (7/20)  
 BETWEEN KM 111.900 AND KM 112.300

JAPAN INTERNATIONAL COOPERATION AGENCY (JICA)  
 SANYU CONSULTANTS INC, PACIFIC CONSULTANTS INTERNATIONAL

DESIGNED	
TRACED	
CHECKED	
APPROVED	
DRAWING NO.	DPP-215



NOTES:  
 (1) Elevations of FH are at center of pipe,  
 (2) For detail of typical cross section of Pipeline and O/M Road, see Dwg. No. DPP-229,

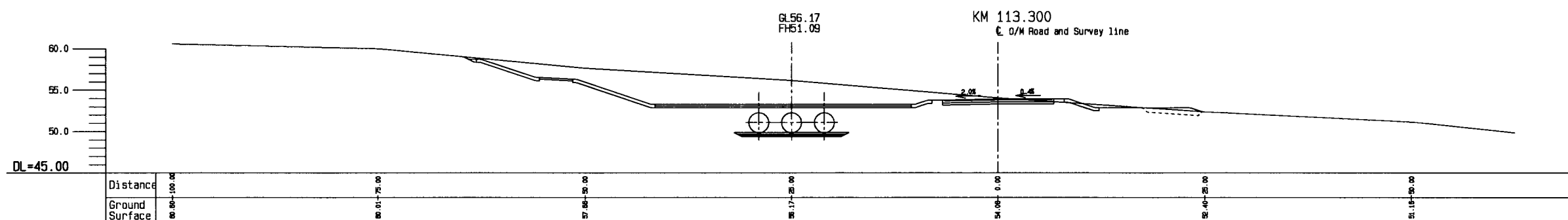
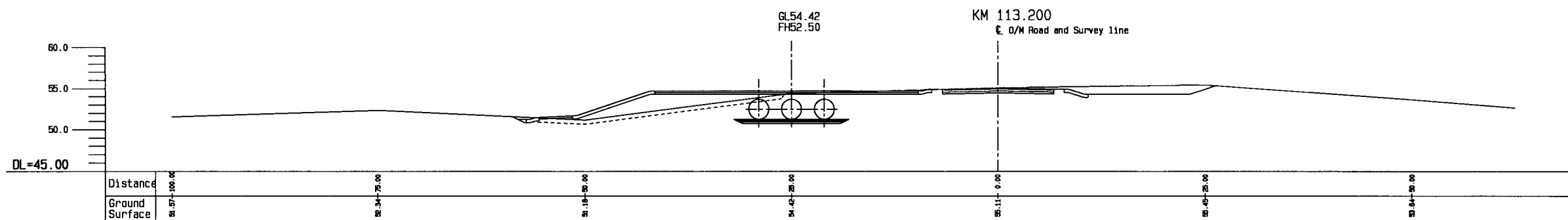
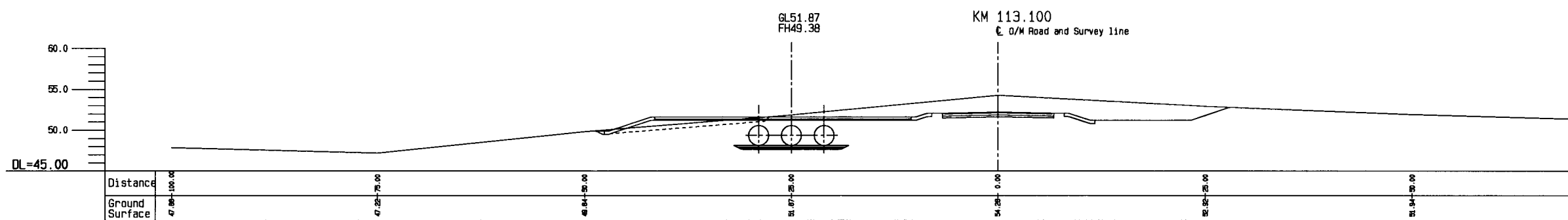
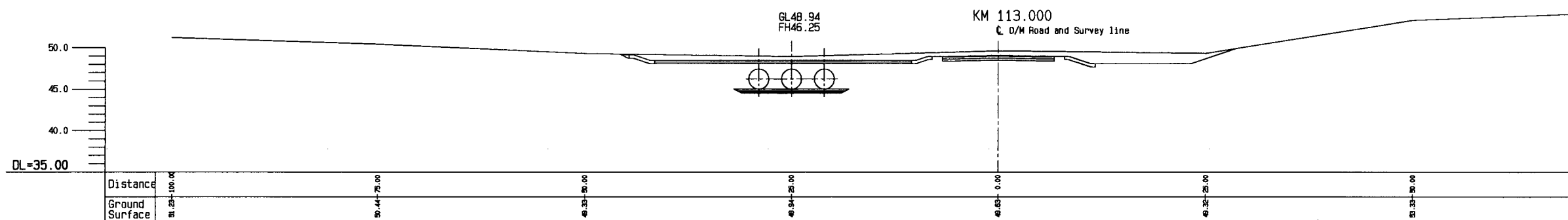
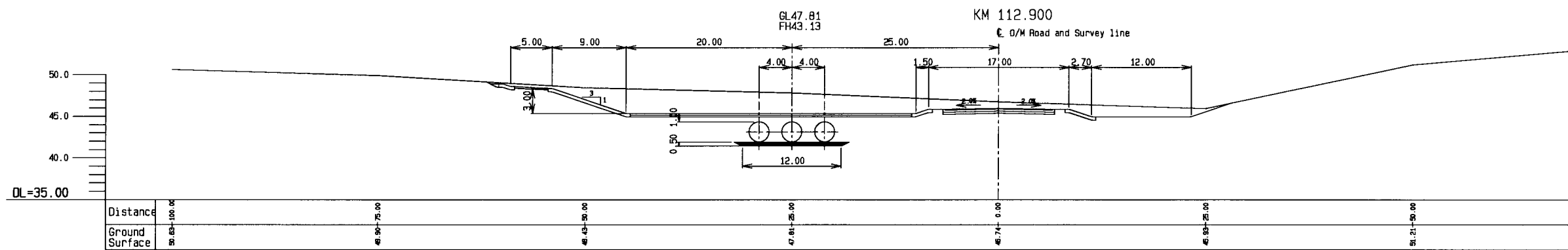


THE ARAB REPUBLIC OF EGYPT  
 MINISTRY OF WATER RESOURCES AND IRRIGATION  
 NORTH SINAI DEVELOPMENT ORGANIZATION  
 THE NORTH SINAI INTEGRATED RURAL DEVELOPMENT PROJECT (PHASE III)

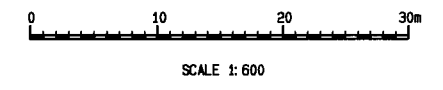
CONVEYANCE SYSTEM OF EL SHEIKH GABER EL SABBAAH CANAL BETWEEN KM 108.466 AND KM 118.560  
 EL SALAAM No.7 (BIR EL ABD) PUMPING STATION  
 DELIVERY PRESSURED PIPELINE  
 CROSS SECTIONS OF PIPELINE (8/20) BETWEEN KM 112.400 AND KM 112.800

JAPAN INTERNATIONAL COOPERATION AGENCY (JICA)  
 SANYU CONSULTANTS INC, PACIFIC CONSULTANTS INTERNATIONAL

DESIGNED	
TRACED	
CHECKED	
APPROVED	
DRAWING NO.	DPP-216



NOTES:  
 (1) Elevations of FH are at center of pipe,  
 (2) For detail of typical cross section of Pipeline and O/M Road, see Dwg. No. DPP-229.

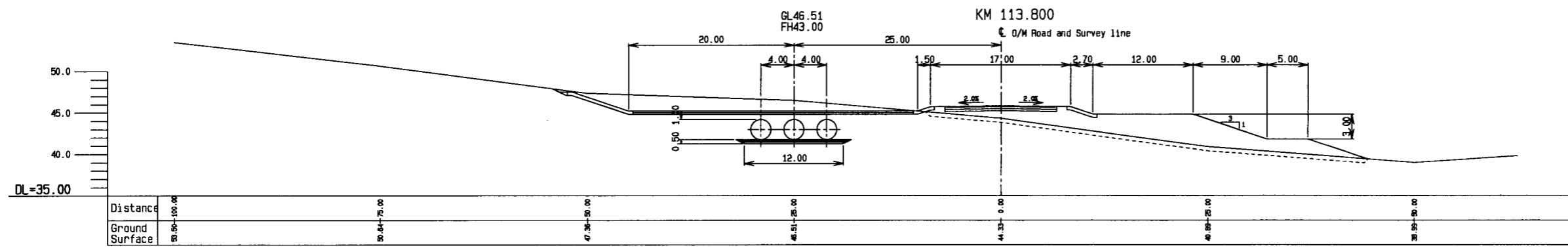
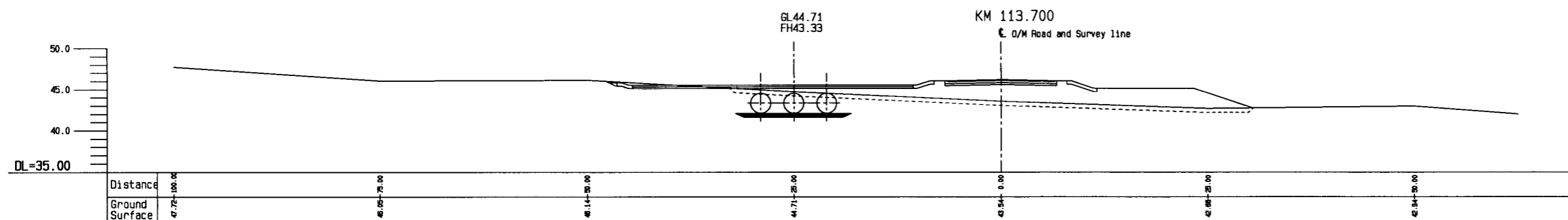
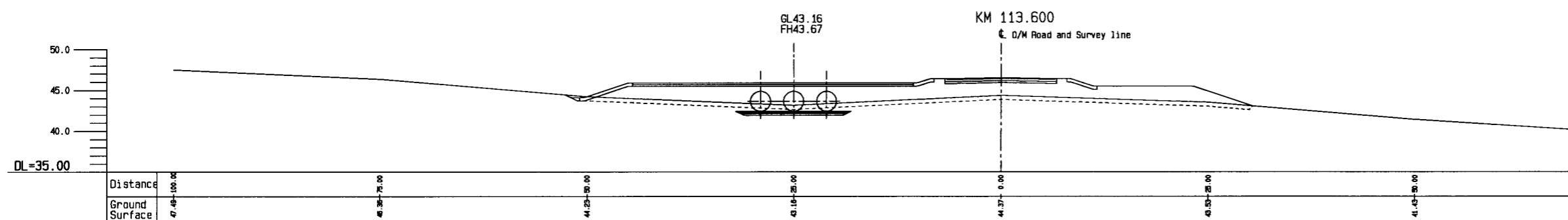
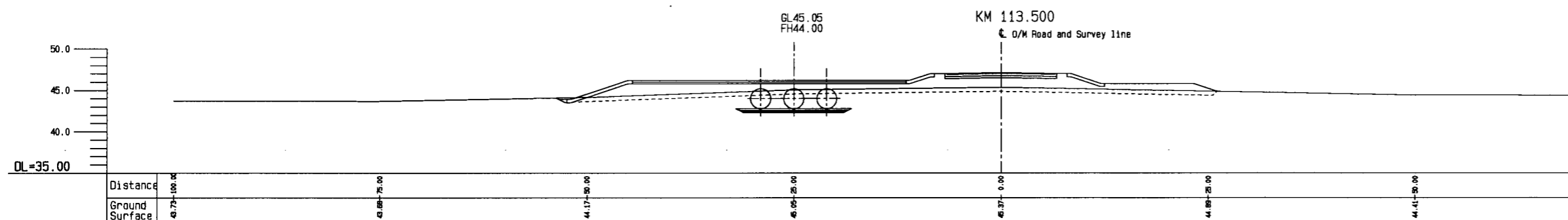
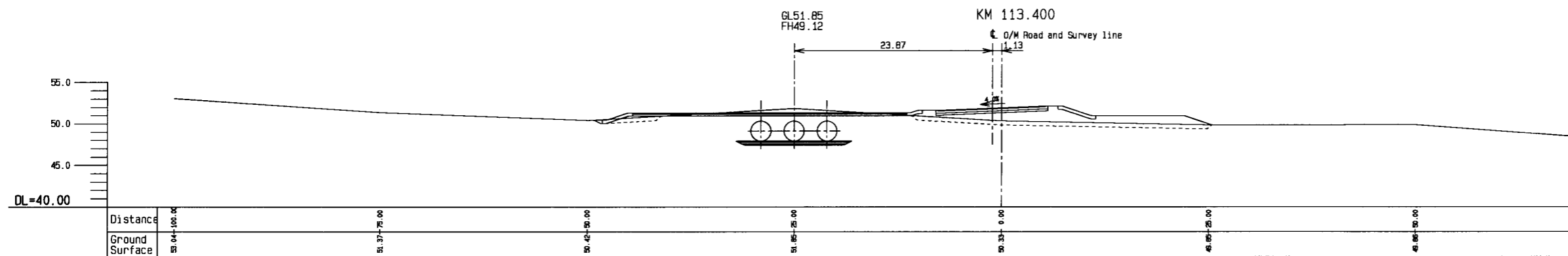


THE ARAB REPUBLIC OF EGYPT  
 MINISTRY OF WATER RESOURCES AND IRRIGATION  
 NORTH SINAI DEVELOPMENT ORGANIZATION  
 THE NORTH SINAI INTEGRATED RURAL  
 DEVELOPMENT PROJECT (PHASE III)

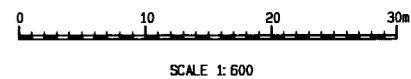
CONVEYANCE SYSTEM OF EL SHEIKH GABER EL SABBABH CANAL  
 BETWEEN KM 108.466 AND KM 118.560  
 EL SALAAM No. 7 (BIR EL ABD) PUMPING STATION  
 DELIVERY PRESSURED PIPELINE  
 CROSS SECTIONS OF PIPELINE (9/20)  
 BETWEEN KM 112.900 AND KM 113.300

JAPAN INTERNATIONAL COOPERATION AGENCY (JICA)  
 SANYU CONSULTANTS INC, PACIFIC CONSULTANTS INTERNATIONAL

DESIGNED	
TRACED	
CHECKED	
APPROVED	
DRAWING NO.	DPP-217



NOTES:  
 (1) Elevations of FH are at center of pipe,  
 (2) For detail of typical cross section of Pipeline and O/M Road, see Dwg. No.DPP-229,

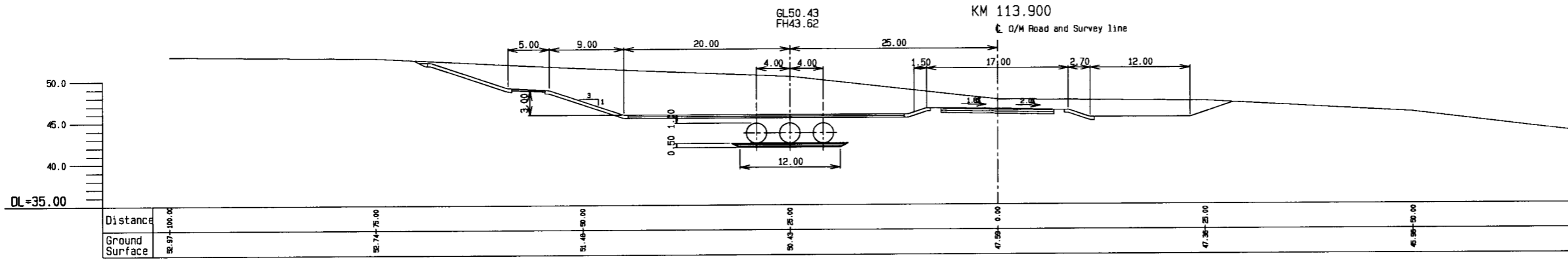


THE ARAB REPUBLIC OF EGYPT  
 MINISTRY OF WATER RESOURCES AND IRRIGATION  
 NORTH SINAI DEVELOPMENT ORGANIZATION  
 THE NORTH SINAI INTEGRATED RURAL DEVELOPMENT PROJECT (PHASE III)

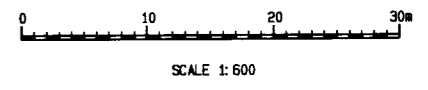
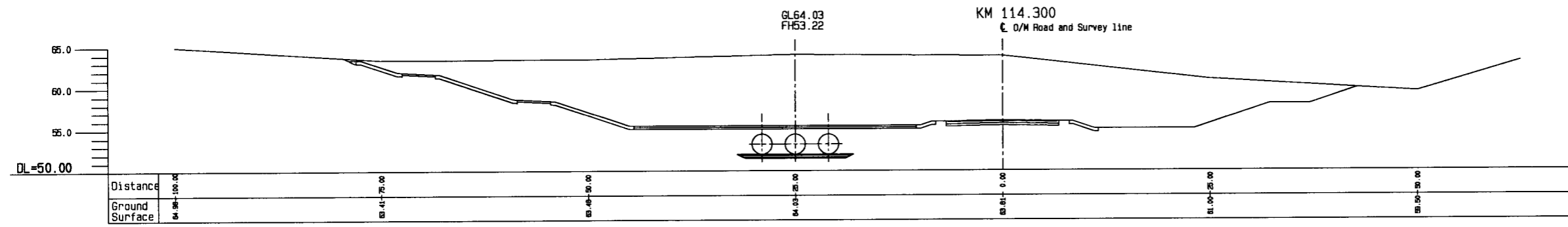
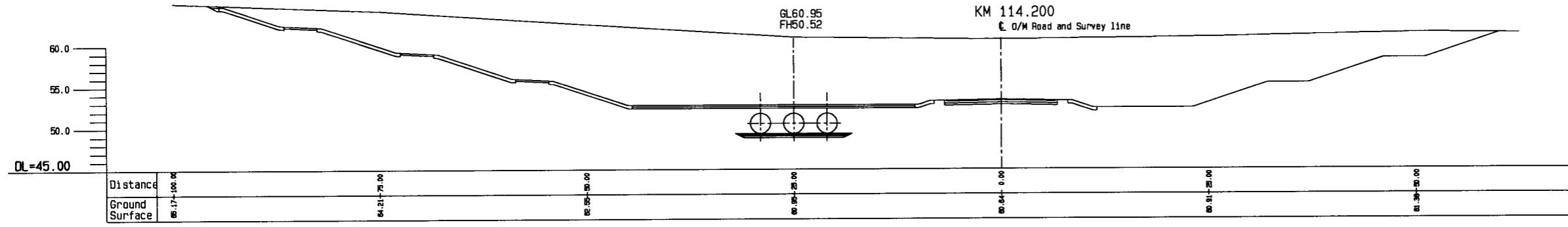
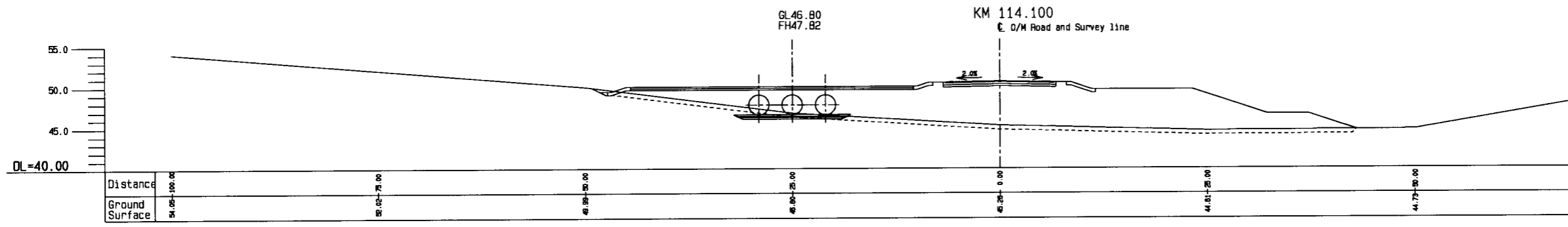
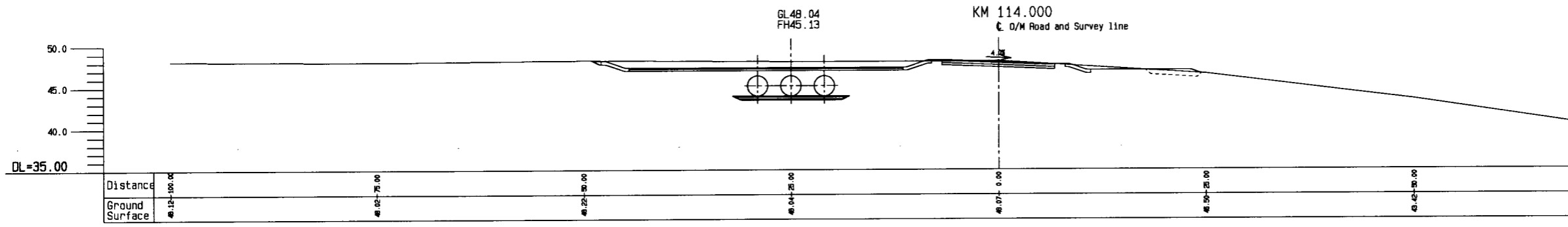
CONVEYANCE SYSTEM OF EL SHEIKH GABER EL SABBABH CANAL BETWEEN KM 108.466 AND KM118.560  
 EL SALAAM No.7 (BIR EL ABDI) PUMPING STATION  
 DELIVERY PRESSURED PIPELINE  
 CROSS SECTIONS OF PIPELINE (10/20) BETWEEN KM 113.400 AND KM 113.800

JAPAN INTERNATIONAL COOPERATION AGENCY (JICA)  
 SANYU CONSULTANTS INC, PACIFIC CONSULTANTS INTERNATIONAL

DESIGNED	
TRACED	
CHECKED	
APPROVED	
DRAWING NO.	DPP-218



NOTES:  
 (1) Elevations of FH are at center of pipe,  
 (2) For detail of typical cross section of Pipeline and O/M Road, see Dwg. No. DPP-229.

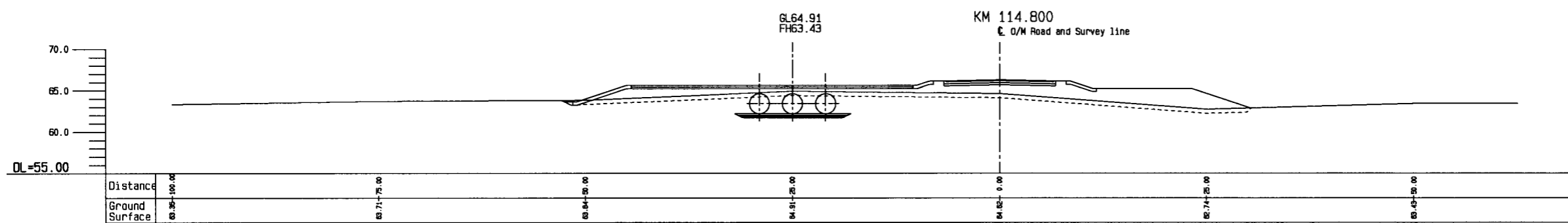
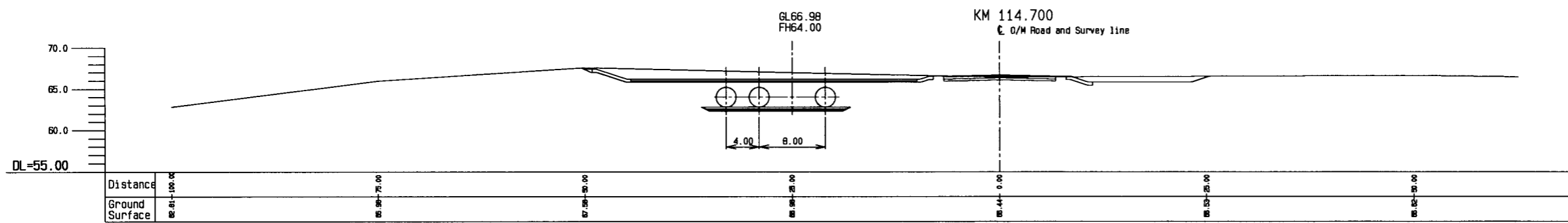
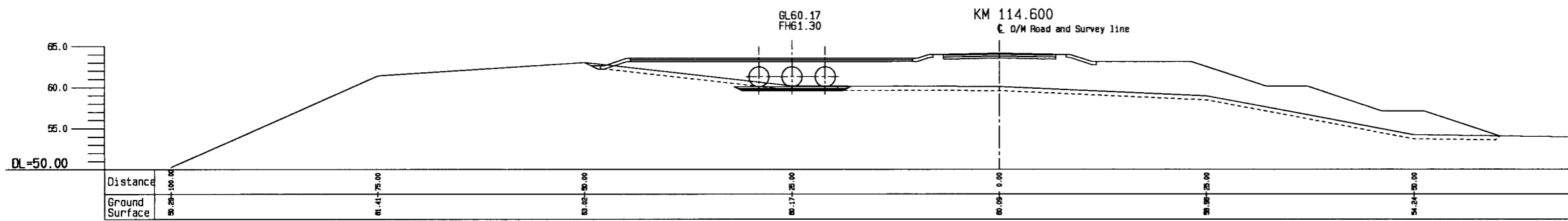
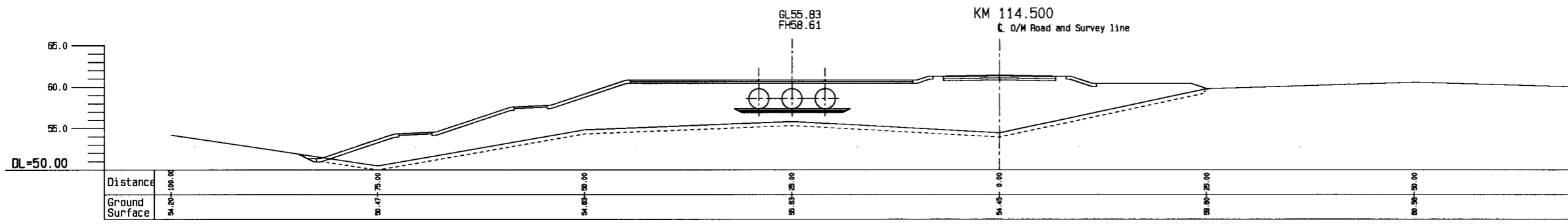
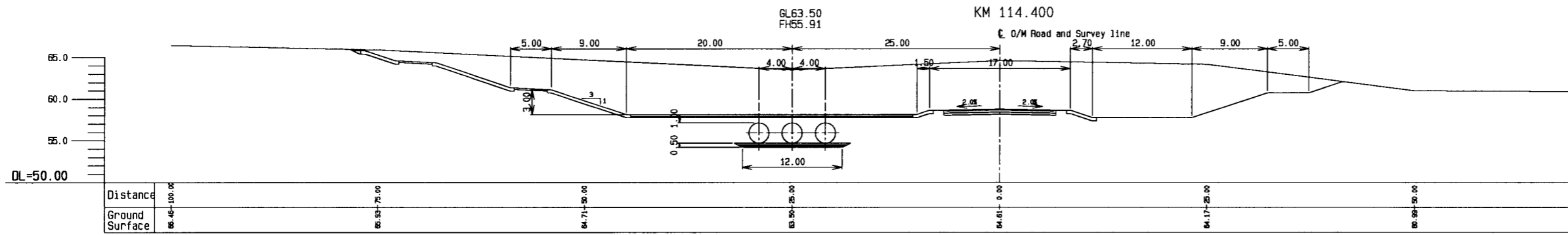


THE ARAB REPUBLIC OF EGYPT  
 MINISTRY OF WATER RESOURCES AND IRRIGATION  
 NORTH SINAI DEVELOPMENT ORGANIZATION  
 THE NORTH SINAI INTEGRATED RURAL DEVELOPMENT PROJECT (PHASE III)

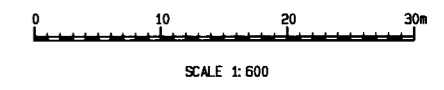
CONVEYANCE SYSTEM OF EL SHEIKH GABER EL SABBABH CANAL BETWEEN KM 108.466 AND KM 118.560  
 EL SALAAM No.7 (BIR EL ABO) PUMPING STATION  
 DELIVERY PRESSURED PIPELINE  
 CROSS SECTIONS OF PIPELINE (11/20) BETWEEN KM 113.900 AND KM 114.300

JAPAN INTERNATIONAL COOPERATION AGENCY (JICA)  
 SANYU CONSULTANTS INC, PACIFIC CONSULTANTS INTERNATIONAL

DESIGNED	
TRACED	
CHECKED	
APPROVED	
DRAWING NO.	DPP-219



NOTES:  
 (1) Elevations of FH are at center of pipe.  
 (2) For detail of typical cross section of Pipeline and O/M Road, see Dwg. No.DPP-229.

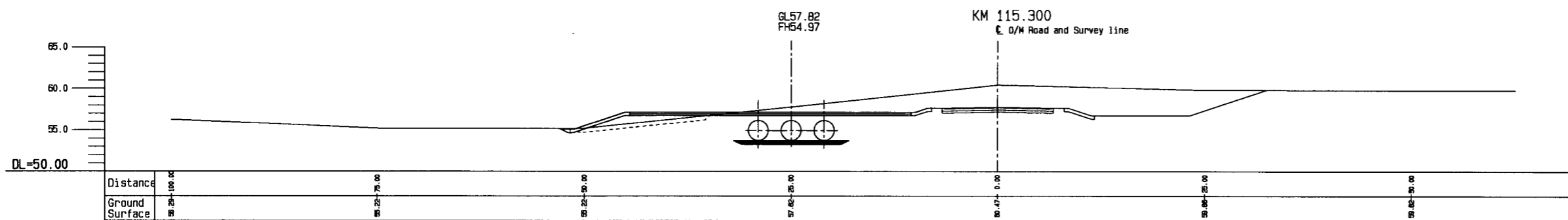
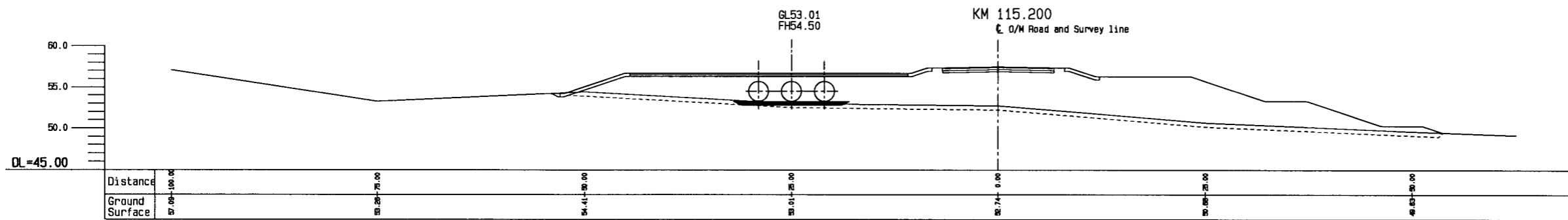
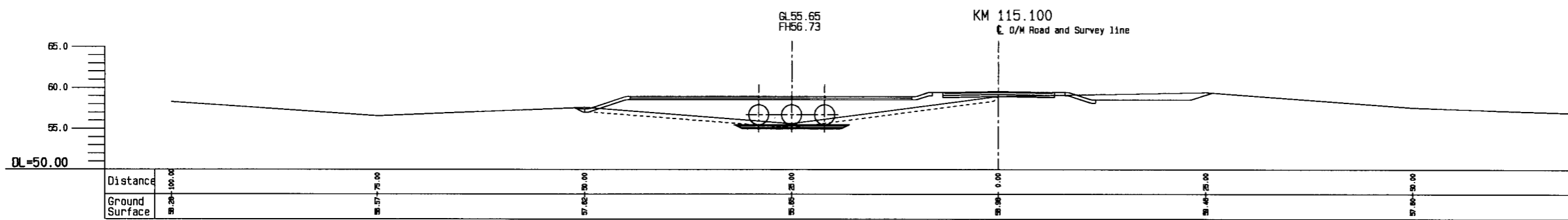
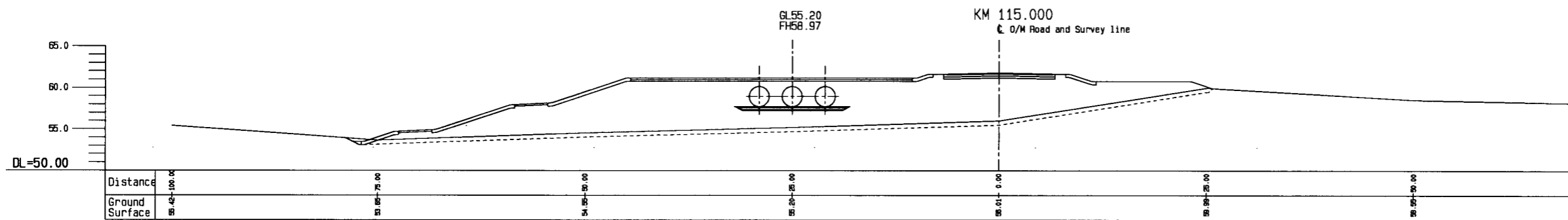
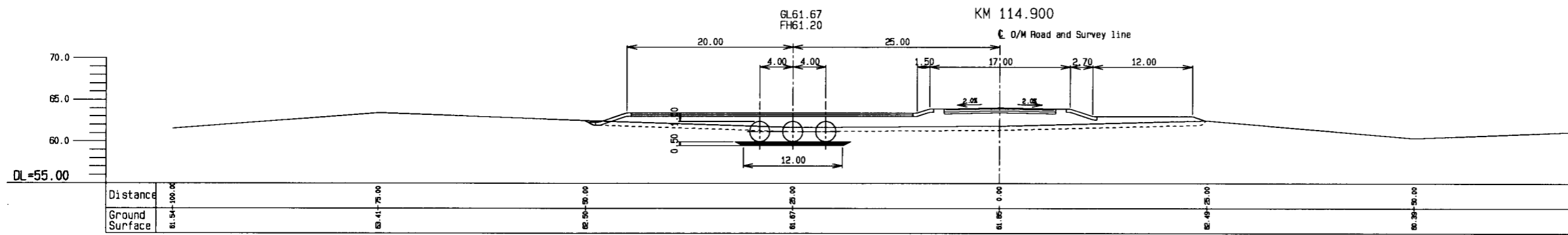


THE ARAB REPUBLIC OF EGYPT  
 MINISTRY OF WATER RESOURCES AND IRRIGATION  
 NORTH SINAI DEVELOPMENT ORGANIZATION  
 THE NORTH SINAI INTEGRATED RURAL  
 DEVELOPMENT PROJECT (PHASE III )

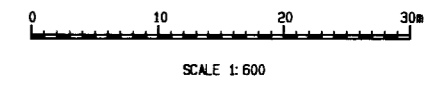
CONVEYANCE SYSTEM OF EL SHEIKH GABER EL SABBABH CANAL  
 BETWEEN KM 109.466 AND KM118.560  
 EL SALAAM No.7 (BIR EL ABDI) PUMPING STATION  
 DELIVERY PRESSURED PIPELINE  
 CROSS SECTIONS OF PIPELINE (12/20)  
 BETWEEN KM 114.400 AND KM 114.800

JAPAN INTERNATIONAL COOPERATION AGENCY (JICA)  
 SANYU CONSULTANTS INC, PACIFIC CONSULTANTS INTERNATIONAL

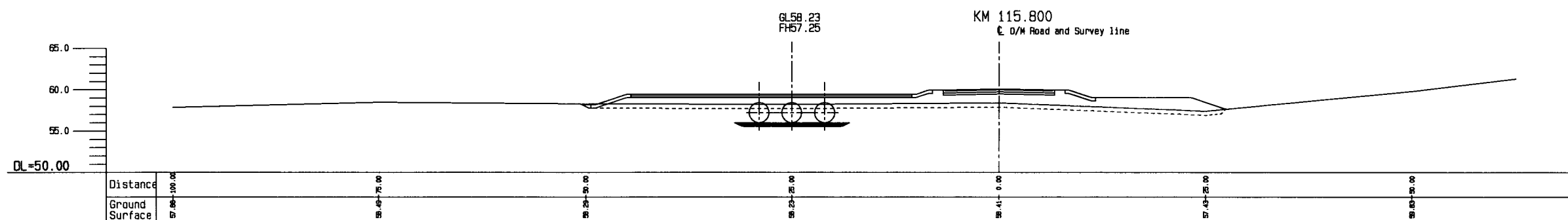
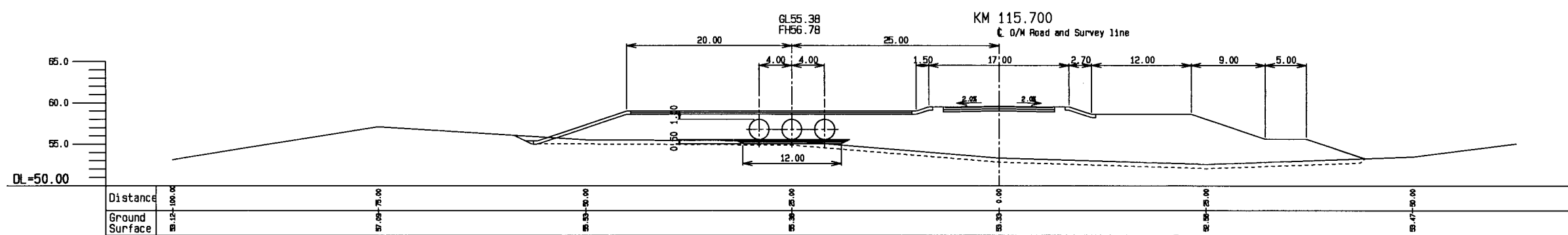
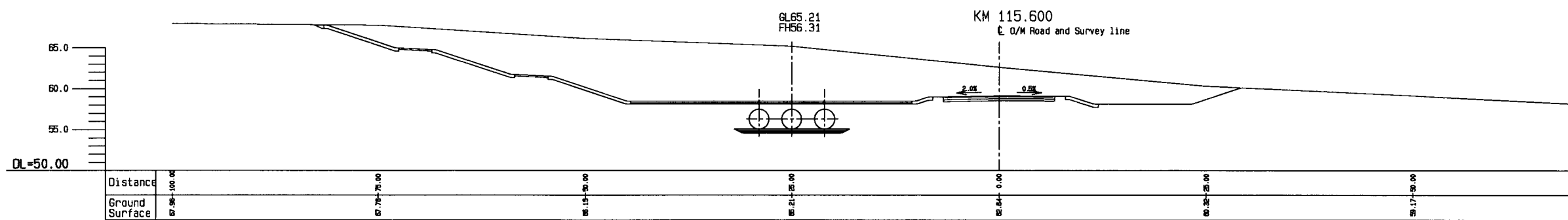
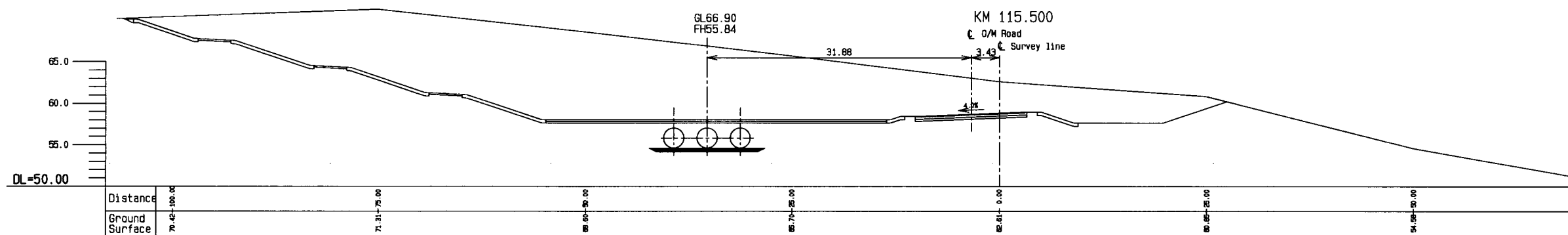
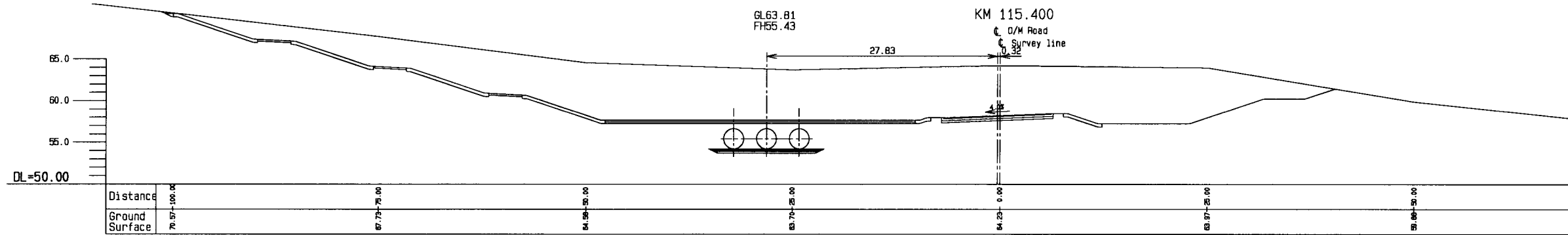
DESIGNED	
TRACED	
CHECKED	
APPROVED	
DRAWING NO.	DPP-220



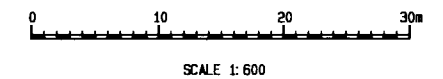
NOTES:  
 (1) Elevations of FH are at center of pipe,  
 (2) For detail of typical cross section of Pipeline and O/M Road, see Dwg. No. DPP-229,



THE ARAB REPUBLIC OF EGYPT MINISTRY OF WATER RESOURCES AND IRRIGATION NORTH SINAI DEVELOPMENT ORGANIZATION THE NORTH SINAI INTEGRATED RURAL DEVELOPMENT PROJECT (PHASE III)	
CONVEYANCE SYSTEM OF EL SHEIKH GABER EL SABBABH CANAL BETWEEN KM 108.466 AND KM 118.560 EL SALAAM No. 7 (BIR EL ABD) PUMPING STATION DELIVERY PRESSURED PIPELINE CROSS SECTIONS OF PIPELINE (13/20) BETWEEN KM 114.900 AND KM 115.300	
JAPAN INTERNATIONAL COOPERATION AGENCY (JICA) SANYU CONSULTANTS INC, PACIFIC CONSULTANTS INTERNATIONAL	
DESIGNED	
TRACED	
CHECKED	
APPROVED	
DRAWING NO.	DPP-221



NOTES:  
 (1) Elevations of FH are at center of pipe,  
 (2) For detail of typical cross section of Pipeline and O/M Road, see Dwg. No.DPP-229,



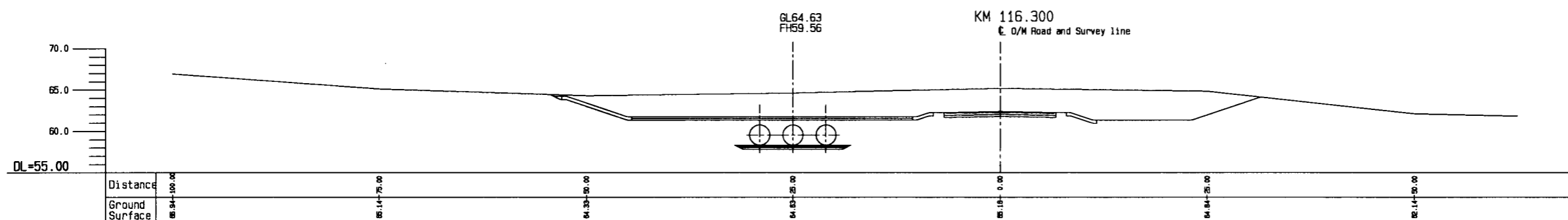
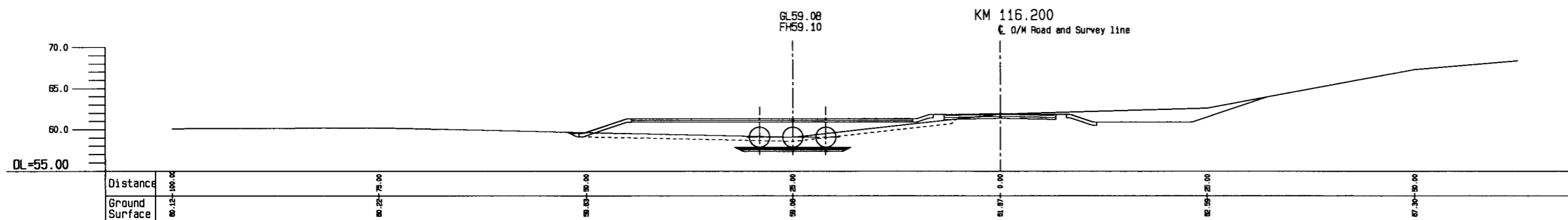
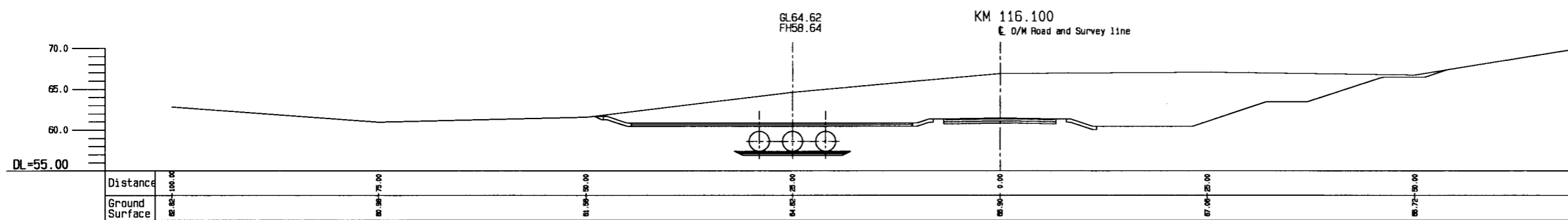
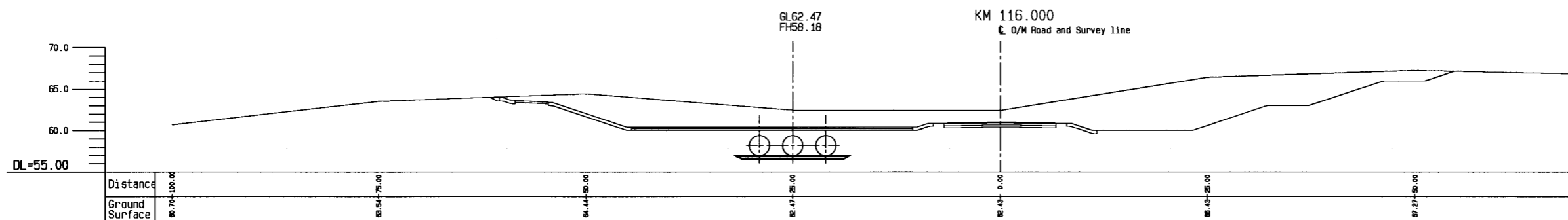
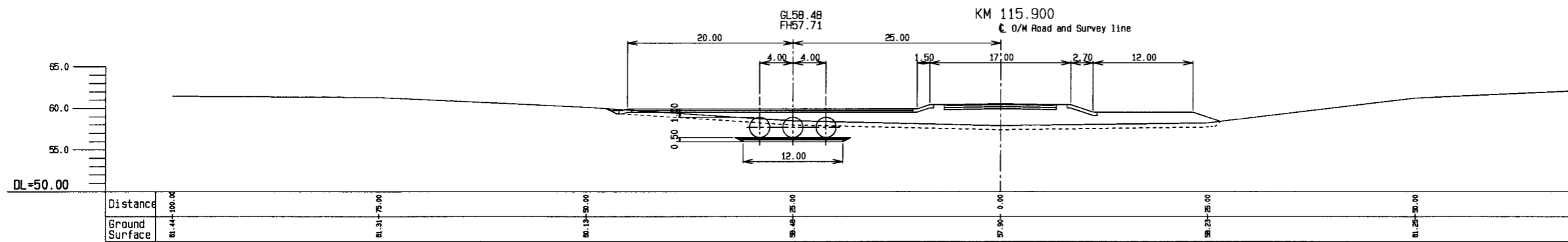
THE ARAB REPUBLIC OF EGYPT  
 MINISTRY OF WATER RESOURCES AND IRRIGATION  
 NORTH SINAI DEVELOPMENT ORGANIZATION  
 THE NORTH SINAI INTEGRATED RURAL DEVELOPMENT PROJECT (PHASE III)

CONVEYANCE SYSTEM OF EL SHEIKH GABER EL SABBABH CANAL BETWEEN KM 108.466 AND KM118.560  
 EL SALAAM No.7 (BIR EL ABDI) PUMPING STATION  
 DELIVERY PRESSURED PIPELINE  
 CROSS SECTIONS OF PIPELINE (14/20)  
 BETWEEN KM 115.400 AND KM 115.800

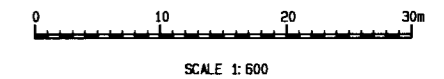
JAPAN INTERNATIONAL COOPERATION AGENCY (JICA)  
 SANYU CONSULTANTS INC, PACIFIC CONSULTANTS INTERNATIONAL

DESIGNED	
TRACED	
CHECKED	
APPROVED	
DRAWING NO.	DPP-222





NOTES:  
 (1) Elevations of FH are at center of pipe,  
 (2) For detail of typical cross section of Pipeline and O/M Road, see Dwg. No. DPP-229,

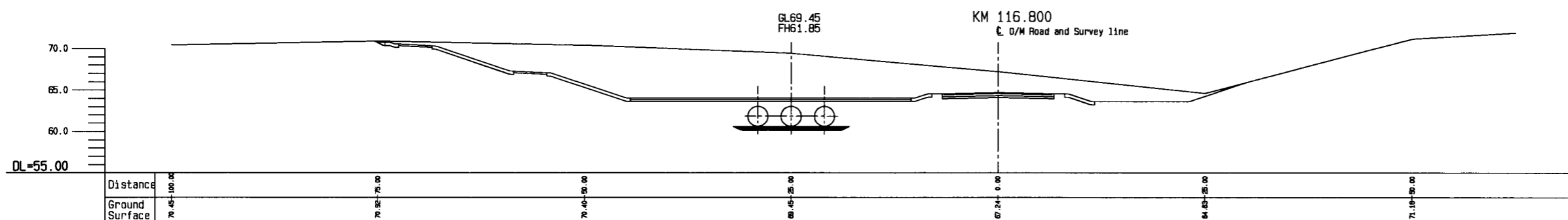
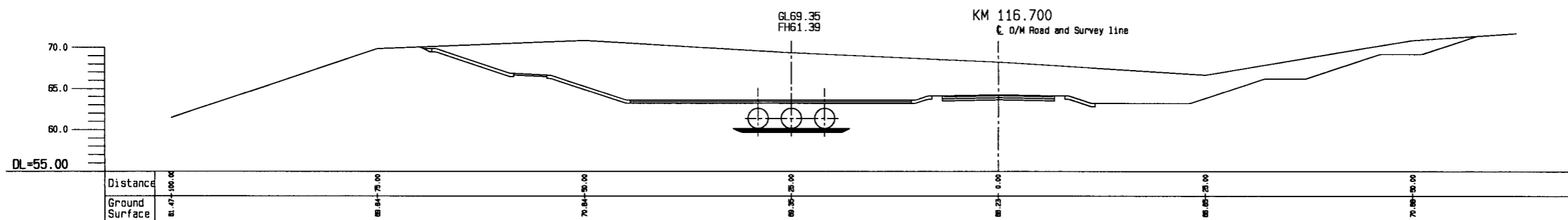
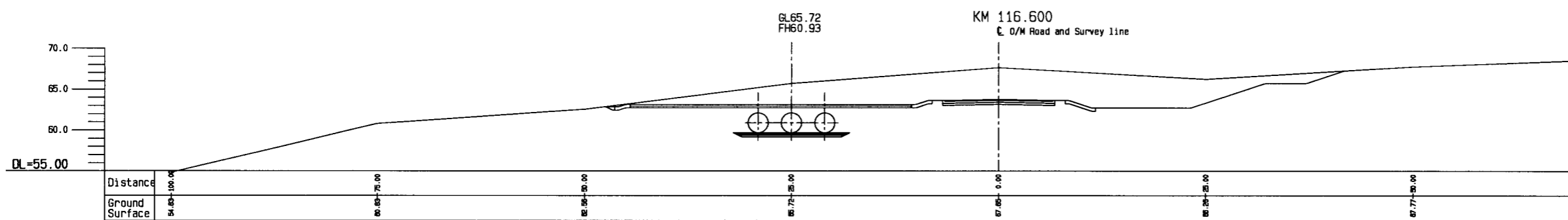
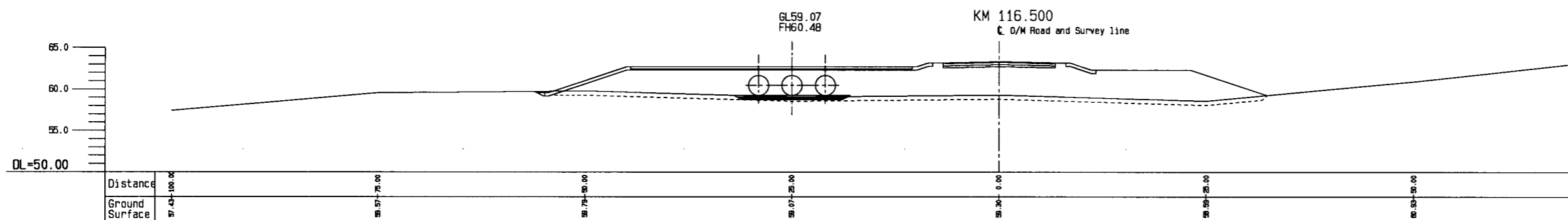
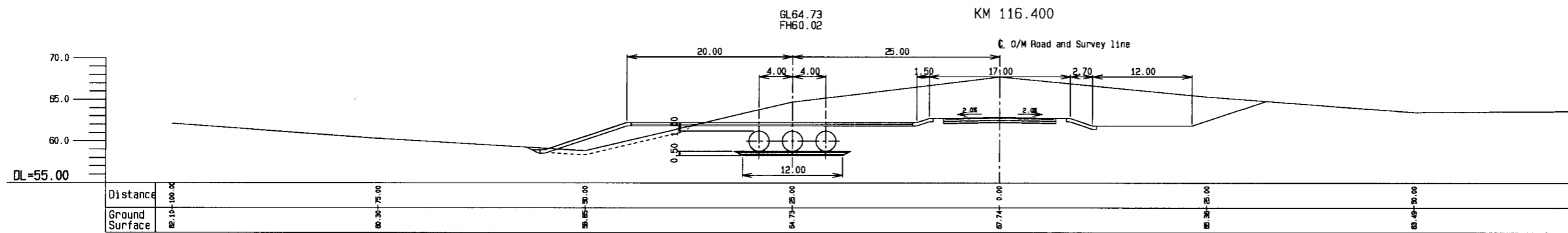


THE ARAB REPUBLIC OF EGYPT  
 MINISTRY OF WATER RESOURCES AND IRRIGATION  
 NORTH SINAI DEVELOPMENT ORGANIZATION  
 THE NORTH SINAI INTEGRATED RURAL DEVELOPMENT PROJECT (PHASE III)

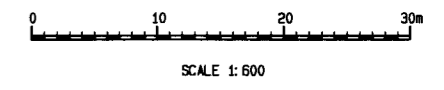
CONVEYANCE SYSTEM OF EL SHEIKH GABER EL SABBABH CANAL  
 BETWEEN KM 109.466 AND KM 118.560  
 EL SALAAM No.7 (BIR EL ABD) PUMPING STATION  
 DELIVERY PRESSURED PIPELINE  
 CROSS SECTIONS OF PIPELINE (15/20)  
 BETWEEN KM 115.900 AND KM 116.300

JAPAN INTERNATIONAL COOPERATION AGENCY (JICA)  
 SANYU CONSULTANTS INC, PACIFIC CONSULTANTS INTERNATIONAL

DESIGNED	
TRACED	
CHECKED	
APPROVED	
DRAWING NO.	DPP-223



NOTES:  
 (1) Elevations of FH are at center of pipe,  
 (2) For detail of typical cross section of Pipeline and O/M Road, see Dwg. No. DPP-229.

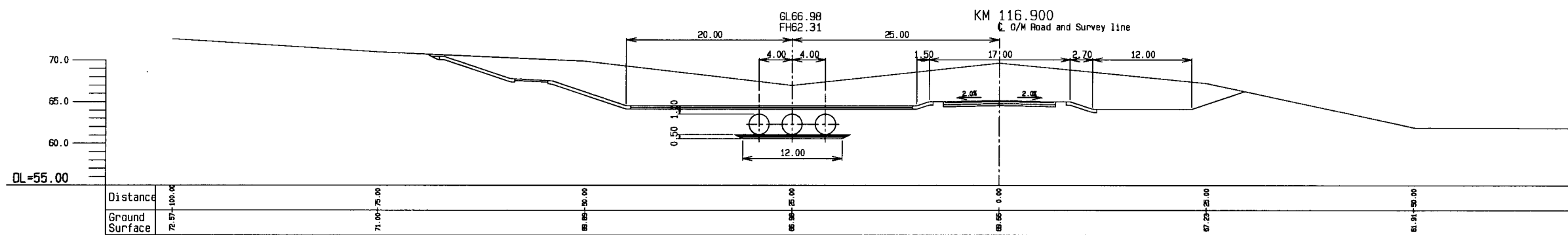


THE ARAB REPUBLIC OF EGYPT  
 MINISTRY OF WATER RESOURCES AND IRRIGATION  
 NORTH SINAI DEVELOPMENT ORGANIZATION  
 THE NORTH SINAI INTEGRATED RURAL  
 DEVELOPMENT PROJECT (PHASE III)

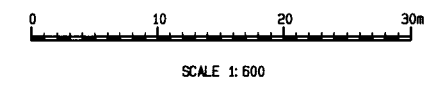
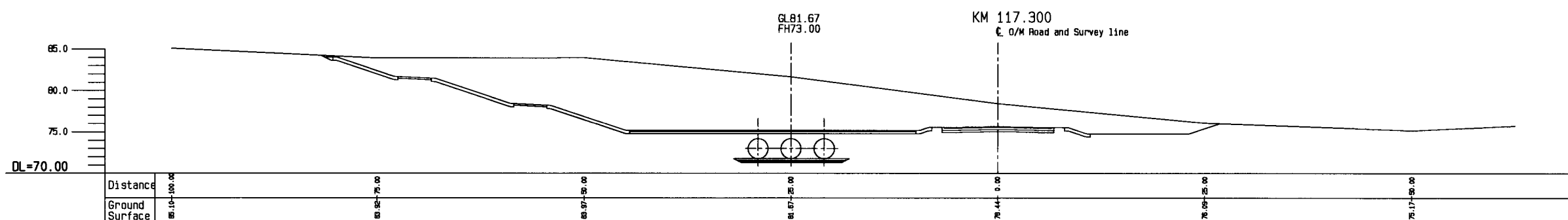
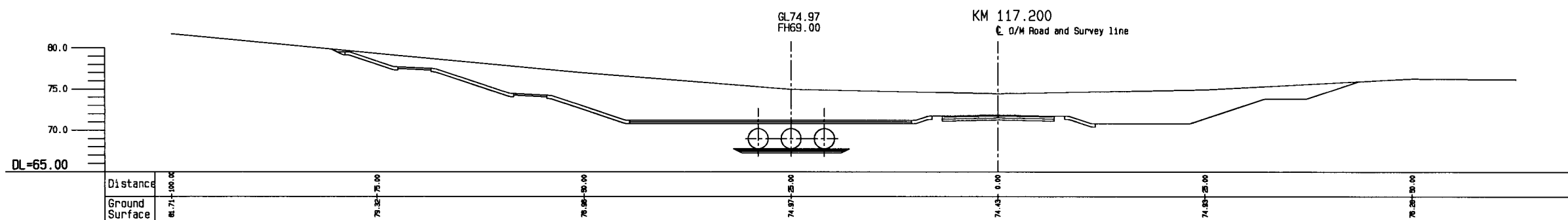
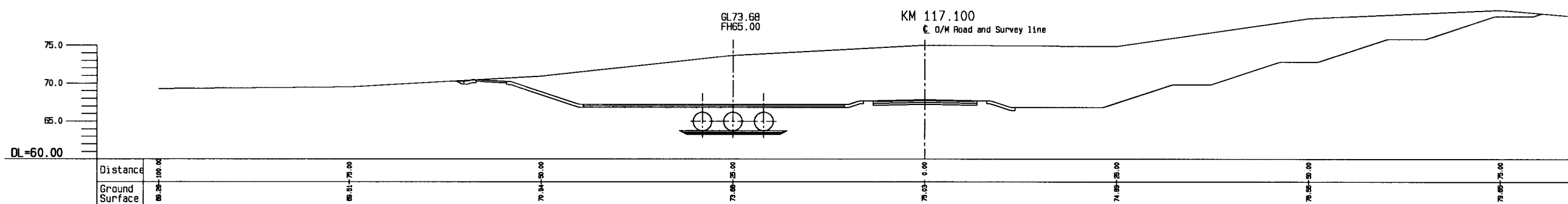
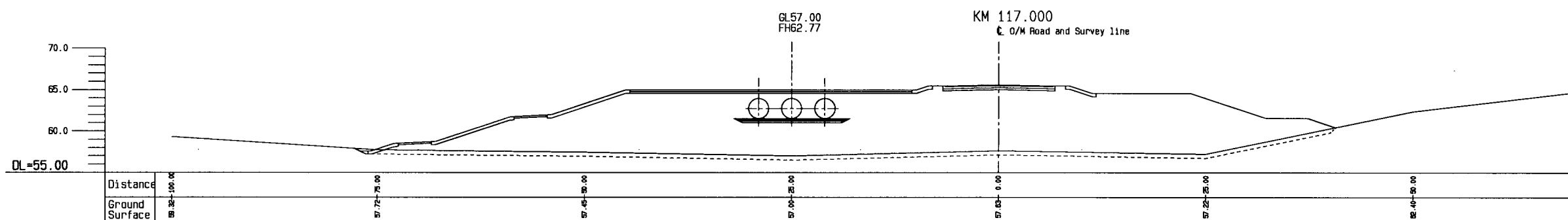
CONVEYANCE SYSTEM OF EL SHEIKH GABER EL SABBABH CANAL  
 BETWEEN KM 108.466 AND KM 118.560  
 EL SALAAM No. 7 (BIR EL ABD) PUMPING STATION  
 DELIVERY PRESSURED PIPELINE  
 CROSS SECTIONS OF PIPELINE (16/20)  
 BETWEEN KM 116.400 AND KM 116.800

JAPAN INTERNATIONAL COOPERATION AGENCY (JICA)  
 SANYU CONSULTANTS INC, PACIFIC CONSULTANTS INTERNATIONAL

DESIGNED	
TRACED	
CHECKED	
APPROVED	
DRAWING NO.	DPP-224



NOTES:  
 (1) Elevations of FH are at center of pipe,  
 (2) For detail of typical cross section of Pipeline and O/M Road, see Dwg. No. DPP-229.

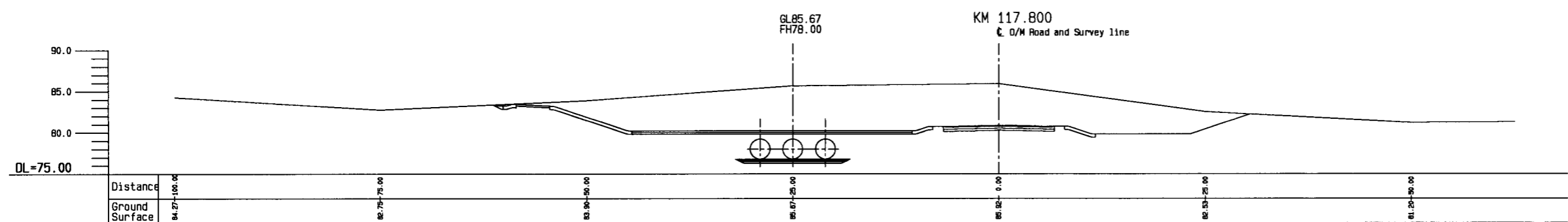
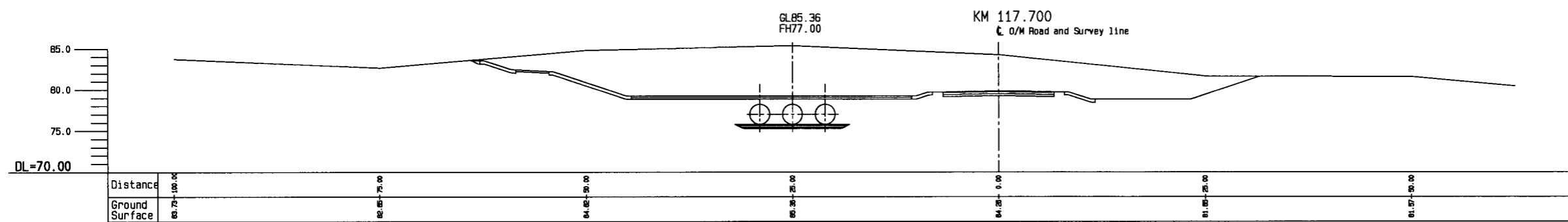
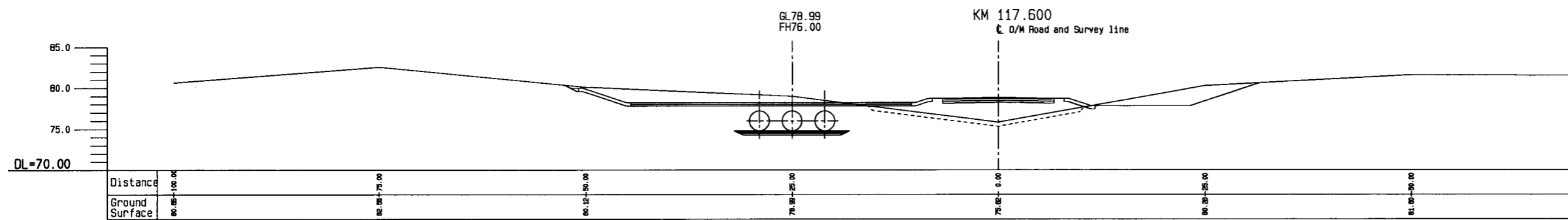
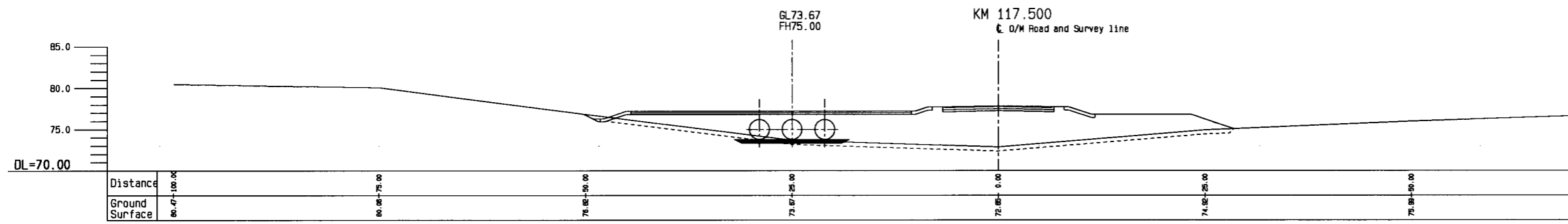
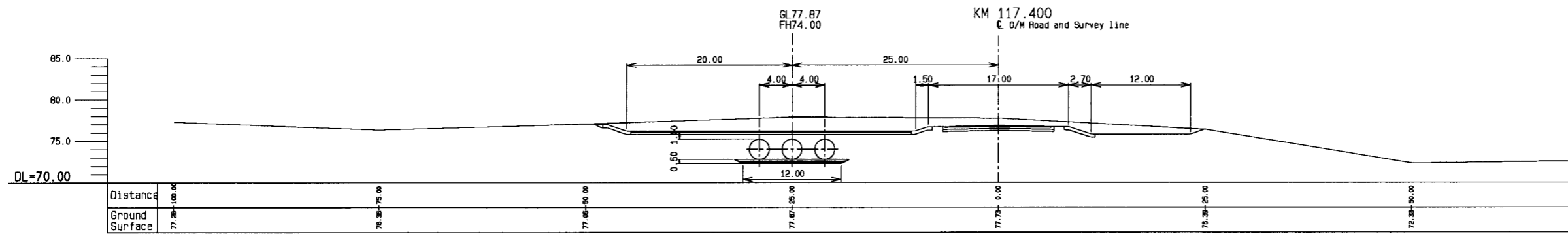


THE ARAB REPUBLIC OF EGYPT  
 MINISTRY OF WATER RESOURCES AND IRRIGATION  
 NORTH SINAI DEVELOPMENT ORGANIZATION  
 THE NORTH SINAI INTEGRATED RURAL  
 DEVELOPMENT PROJECT (PHASE III)

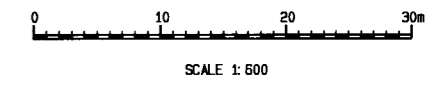
CONVEYANCE SYSTEM OF EL SHEIKH GABER EL SABBABH CANAL  
 BETWEEN KM 108.466 AND KM 118.560  
 EL SALAAM No.7 (BIR EL ABD) PUMPING STATION  
 DELIVERY PRESSURED PIPELINE  
 CROSS SECTIONS OF PIPELINE (17/20)  
 BETWEEN KM 116.900 AND KM 117.300

JAPAN INTERNATIONAL COOPERATION AGENCY (JICA)  
 SANYU CONSULTANTS INC, PACIFIC CONSULTANTS INTERNATIONAL

DESIGNED	
TRACED	
CHECKED	
APPROVED	
DRAWING NO.	DPP-225



NOTES:  
 (1) Elevations of FH are at center of pipe,  
 (2) For detail of typical cross section of Pipeline and O/M Road, see Dwg. No. DPP-229.

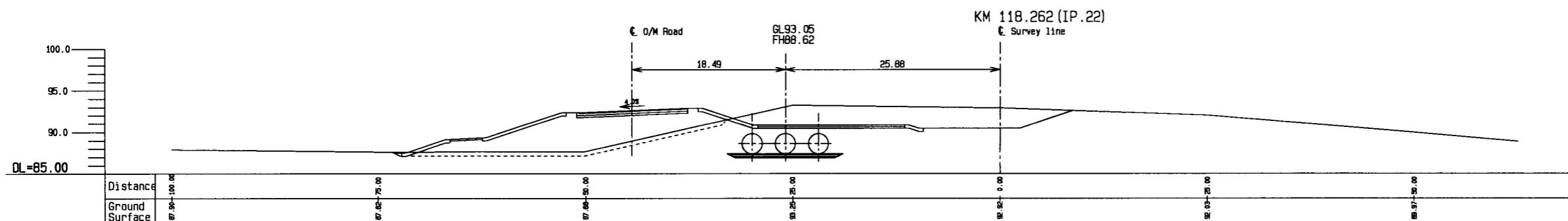
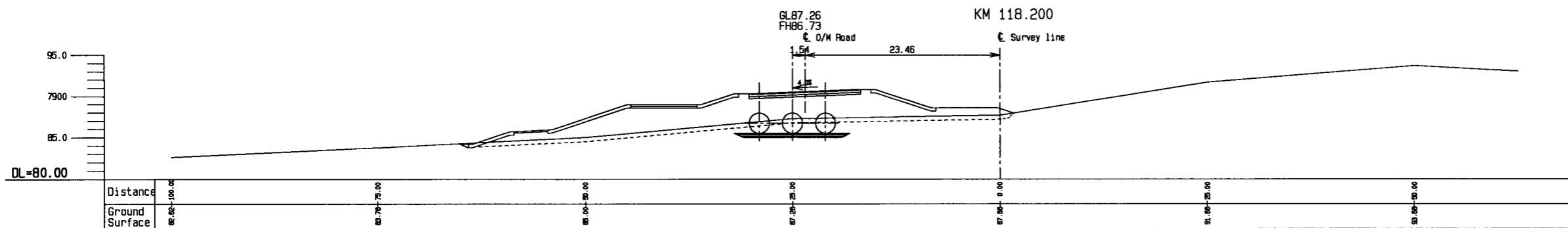
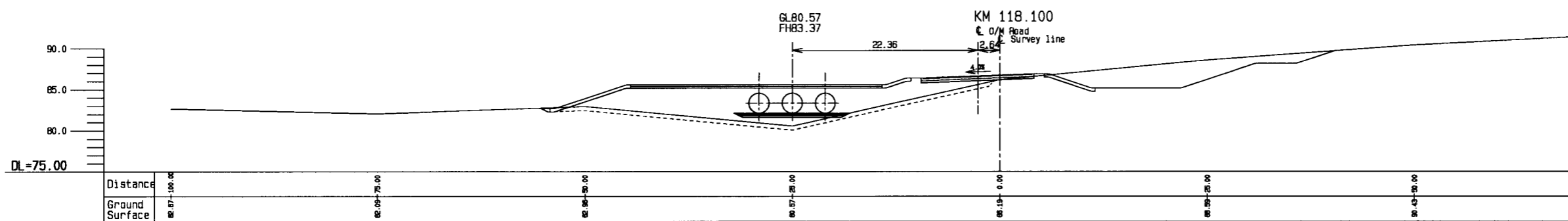
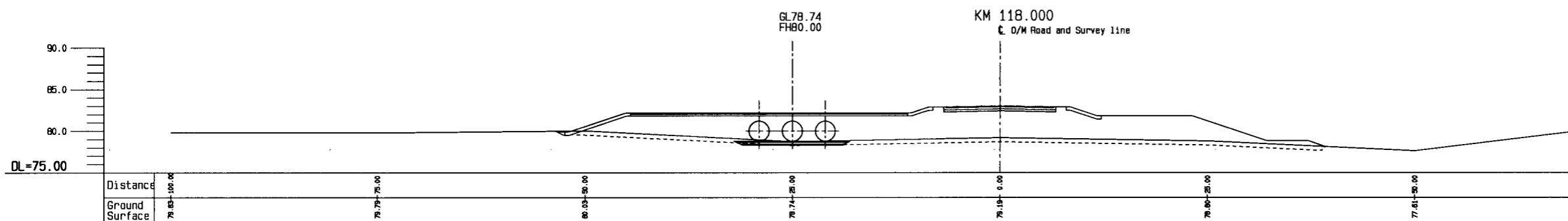
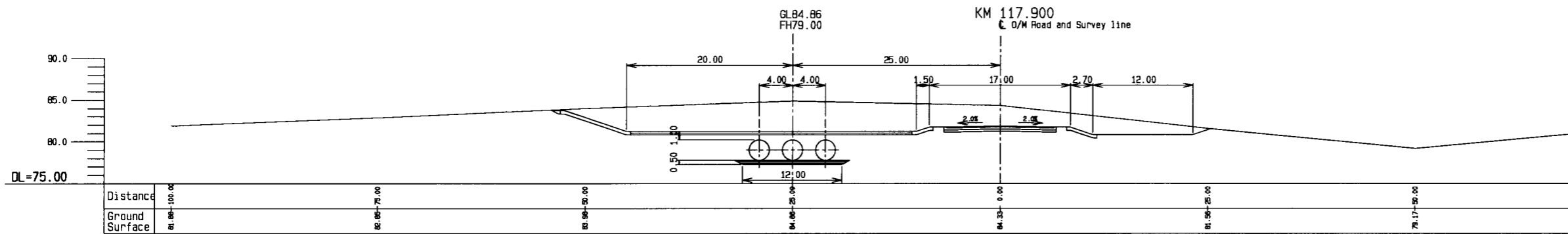


THE ARAB REPUBLIC OF EGYPT  
 MINISTRY OF WATER RESOURCES AND IRRIGATION  
 NORTH SINAI DEVELOPMENT ORGANIZATION  
 THE NORTH SINAI INTEGRATED RURAL DEVELOPMENT PROJECT (PHASE III)

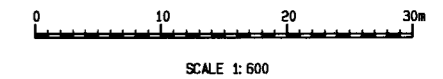
CONVEYANCE SYSTEM OF EL SHEIKH GABER EL SABBABH CANAL BETWEEN KM 108.466 AND KM 118.560  
 EL SALAAM No.7 (BIR EL ABO) PUMPING STATION  
 DELIVERY PRESSURED PIPELINE  
 CROSS SECTIONS OF PIPELINE (18/20) BETWEEN KM 117.400 AND KM 117.800

JAPAN INTERNATIONAL COOPERATION AGENCY (JICA)  
 SANYU CONSULTANTS INC, PACIFIC CONSULTANTS INTERNATIONAL

DESIGNED	
TRACED	
CHECKED	
APPROVED	
DRAWING NO.	DPP-226



- NOTES:
- (1) Elevations of FH are at center of pipe,
  - (2) For detail of typical cross section of Pipeline and O/M Road, see Dwg. No.DPP-229,

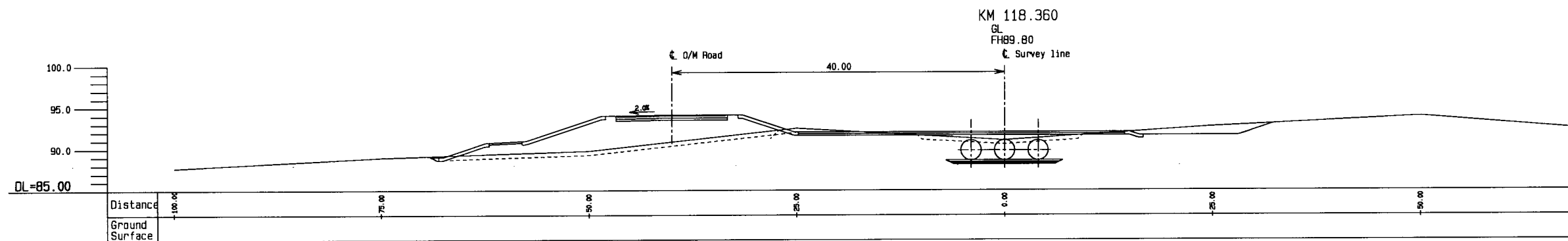
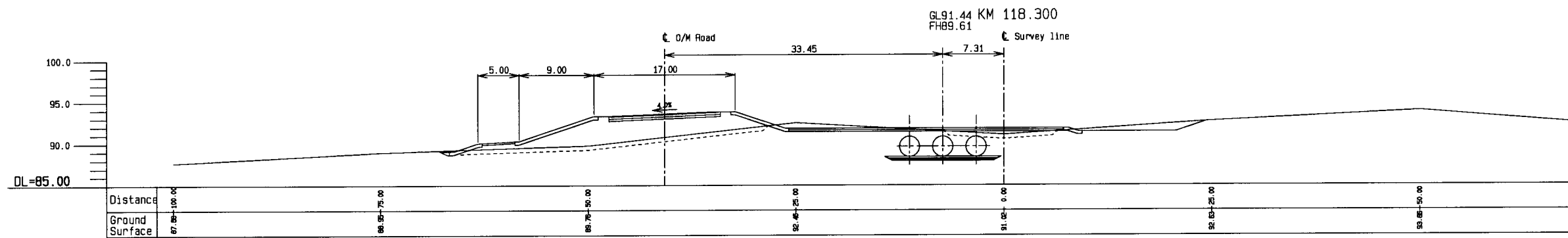


THE ARAB REPUBLIC OF EGYPT  
 MINISTRY OF WATER RESOURCES AND IRRIGATION  
 NORTH SINAI DEVELOPMENT ORGANIZATION  
 THE NORTH SINAI INTEGRATED RURAL  
 DEVELOPMENT PROJECT (PHASE III)

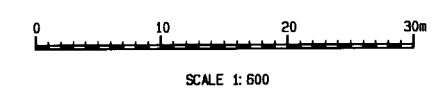
CONVEYANCE SYSTEM OF EL SHEIKH GABER EL SABBABH CANAL  
 BETWEEN KM 108.466 AND KM118.560  
 EL SALAAM No.7 (BIR EL ABDI) PUMPING STATION  
 DELIVERY PRESSURED PIPELINE  
 CROSS SECTIONS OF PIPELINE (19/20)  
 BETWEEN KM 117.900 AND KM 118.262

JAPAN INTERNATIONAL COOPERATION AGENCY (JICA)  
 SANYU CONSULTANTS INC, PACIFIC CONSULTANTS INTERNATIONAL

DESIGNED	
TRACED	
CHECKED	
APPROVED	
DRAWING NO.	DPP-227



- NOTES:**
- (1) Elevations of FH are at center of pipe,
  - (2) End point of Pipeline is at KM 118.360,
  - (3) For detail of typical cross section of Pipeline and O/M Road, see Dwg. No.DPP-229,



THE ARAB REPUBLIC OF EGYPT  
 MINISTRY OF WATER RESOURCES AND IRRIGATION  
 NORTH SINAI DEVELOPMENT ORGANIZATION  
 THE NORTH SINAI INTEGRATED RURAL  
 DEVELOPMENT PROJECT (PHASE III)

CONVEYANCE SYSTEM OF EL SHEIKH GABER EL SABBAAH CANAL  
 BETWEEN KM 108.466 AND KM 118.560  
 EL SALAAM No.7 (BIR EL ABD) PUMPING STATION  
 DELIVERY PRESSURED PIPELINE  
 CROSS SECTIONS OF PIPELINE (20/20)  
 BETWEEN KM 118.300 AND KM 118.360

JAPAN INTERNATIONAL COOPERATION AGENCY (JICA)  
 SANYU CONSULTANTS INC, PACIFIC CONSULTANTS INTERNATIONAL

DESIGNED	
TRACED	
CHECKED	
APPROVED	
DRAWING NO.	DPP-228