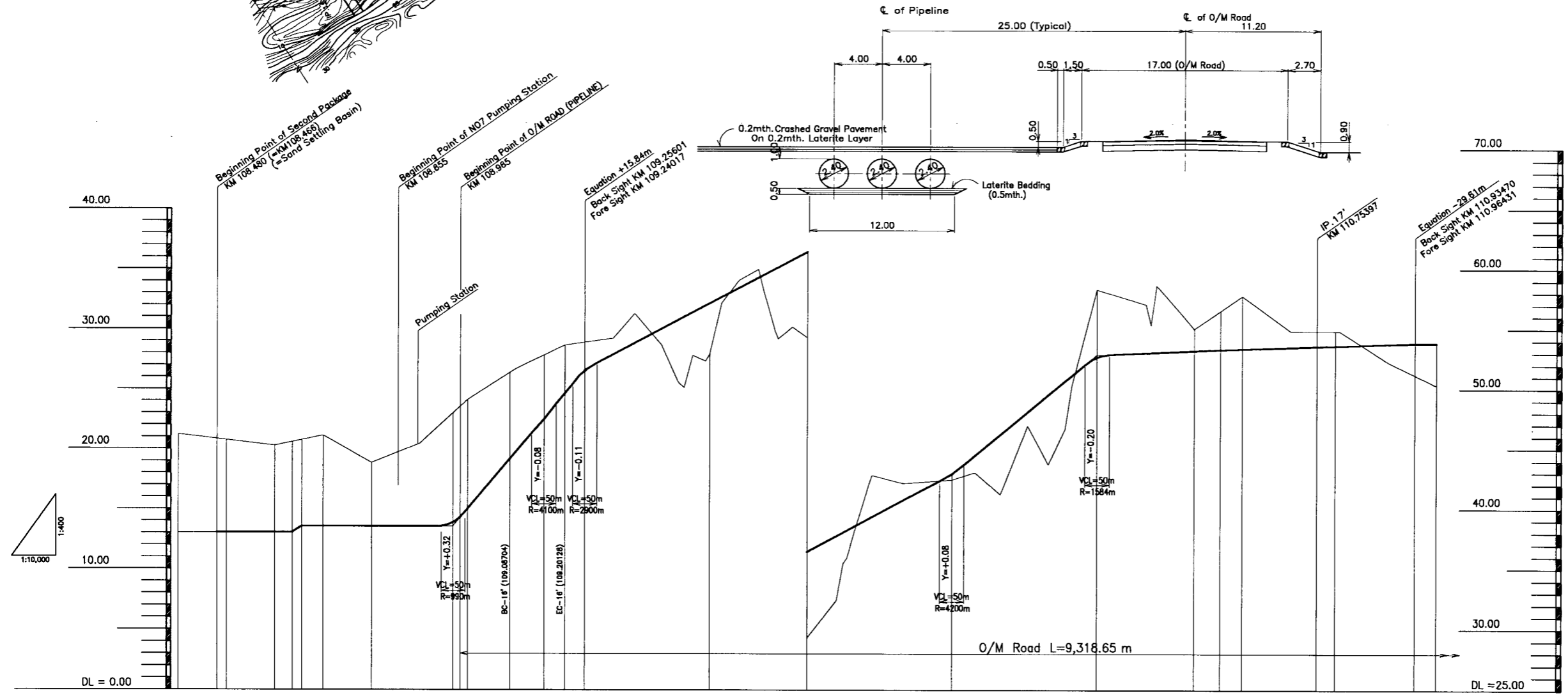


- NOTES:**
- This drawing shows "DISTANCE KM 108.480(=KM 108.466) to KM 111.000".
  - The DISTANCE(KM)s are the distance from Suez Siphon.
  - The distances of principal peg( IP) are shown in the following Table.

Principal peg	Distance (M)
IP-16	109,240.17
IP-17	110,790.18



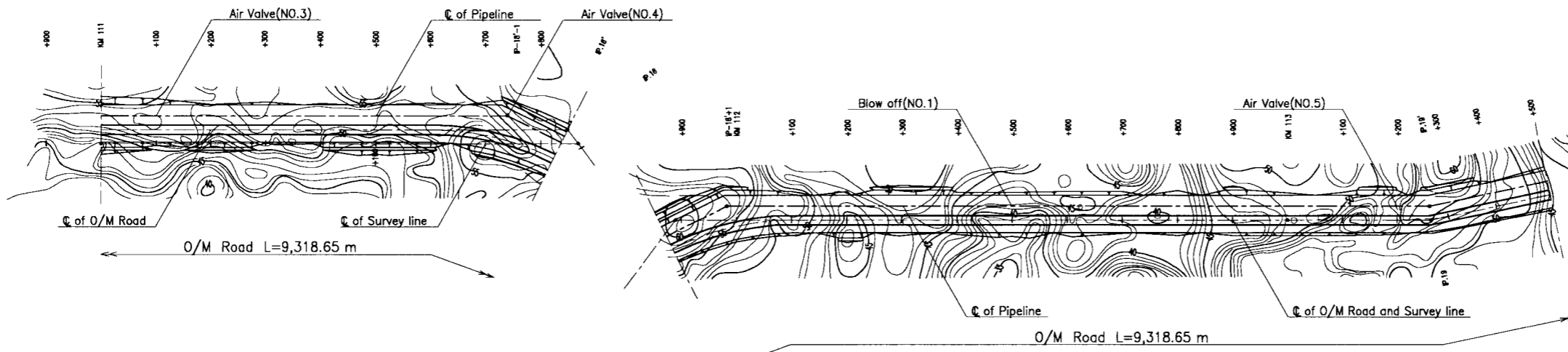
DISTANCE (KM)	108.400	108.466	108.480	108.500	108.600	108.635	108.685	108.700	108.800	PS 900	108.970	108.985	108.995	109.100	SP-16'	109.200	(IP-16)	109.300	109.400	109.500	109.600	109.700	109.800	109.900	110.000	110.100	110.200	110.300	110.400	110.500	BC-17'	110.600	110.700	SP-17'	(IP-17)	110.800	110.900	EC-17'	111.000
ORIGINAL GROUND SURFACE	21.20	20.72	20.24	21.09	18.82	20.41	24.06	26.69	28.66	29.21	26.68	27.90	34.96	29.28	36.34	42.12	42.43	41.20	43.71	58.33	57.07	55.03	52.87	57.78	54.85	52.26	50.33												
TOP OF O/M ROAD	13.04	13.05	13.04	13.53	13.53	13.85	15.04	20.08	22.42	24.83	26.54	27.93	30.06	32.19	34.32	36.45	38.59	40.72	42.93	46.18	49.52	52.85	53.02	53.20	53.29	53.36	53.51	53.57	53.60	53.76	53.85	53.90							
LONGITUDINAL SLOPE	i=0.006% L=156.50		i=0.006% L=156.50		LEVEL L=313.50		i=5.04% L=177.84		i=3.84% L=106.17		i=2.53% L=759.83		i=2.15% L=759.83		i=3.53% L=300.00		i=2.85% L=253.65		i=0.174% L=253.65		i=3.29% L=361.06		i=0.147% L=361.06		i=0.129% L=773.86														
CURVE ARRANGEMENT							L=117.04m M=34-50-00 R=200m TL=62.70m CL=121.59m SL=6.81m				L=1360.86m						IP-17' M=43-39-56 R=500m TL=200.32m CL=381.05m SL=38.63								L=658.61m														
SUPER ELEVATION																																							

THE ARAB REPUBLIC OF EGYPT  
 MINISTRY OF WATER RESOURCES AND IRRIGATION  
 NORTH SINAI DEVELOPMENT ORGANIZATION  
 THE NORTH SINAI INTEGRATED RURAL DEVELOPMENT PROJECT (PHASE III)

CONVEYANCE SYSTEM OF EL SHEIKH CABER EL SABBABH CANAL BETWEEN KM 108.466 AND KM 118.560  
 EL SALAAM No.7 (BIR EL ABD) PUMPING STATION  
 DELIVERY PRESSURED PIPELINE PLAN AND PROFILE OF O/M ROAD (1/4) BETWEEN KM 108.480 AND KM 111.000

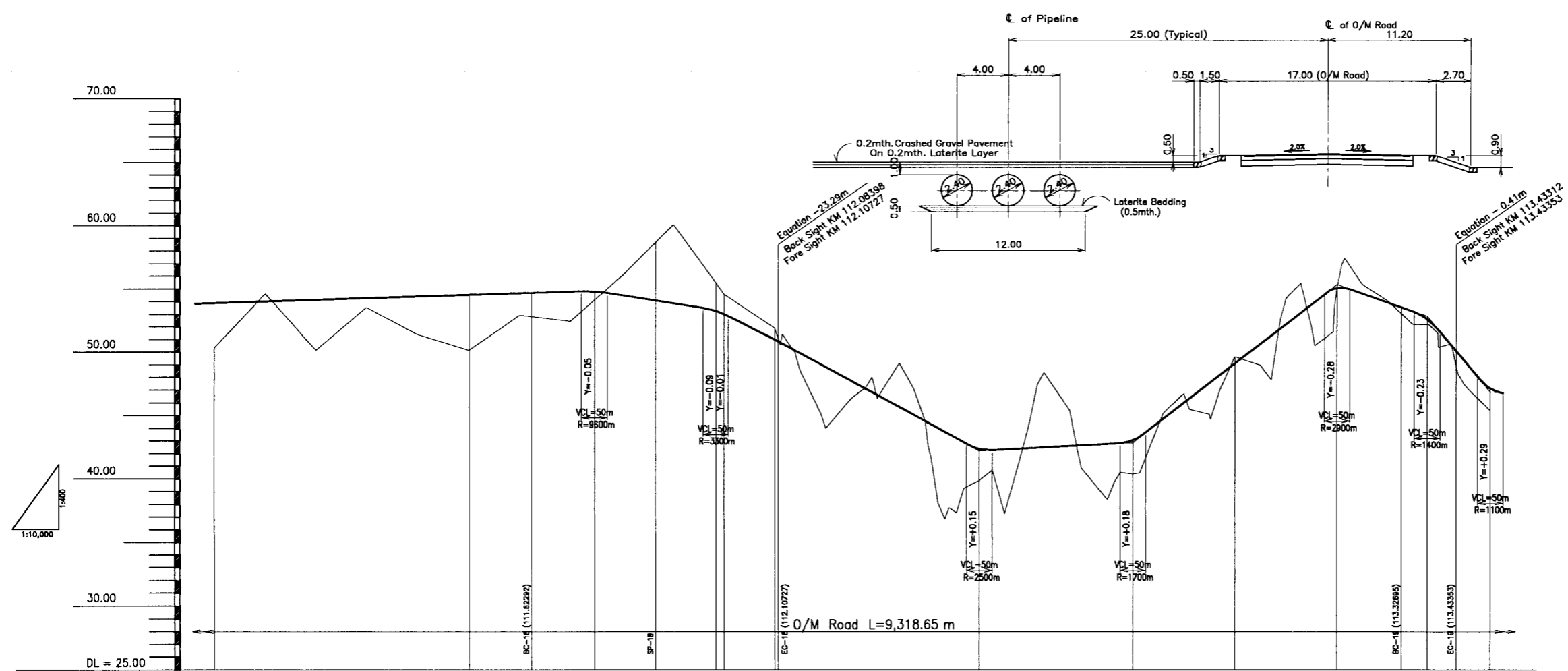
JAPAN INTERNATIONAL COOPERATION AGENCY (JICA)  
 SANYU CONSULTANTS INC, PACIFIC CONSULTANTS INTERNATIONAL

DESIGNED	
TRACED	
CHECKED	
APPROVED	
DRAWING NO.	DPP-205



- NOTES:**
- 1.This drawing shows "DISTANCE KM 111.000 to KM 113.500".
  - 2.The DISTANCE(KM)s are the distance from Suez Siphon.
  - 3.The distances of principal peg( IP) are shown in the following Table.

Principal peg	Distance (M)
IP-18	111,890.26
IP-19	113,380.24

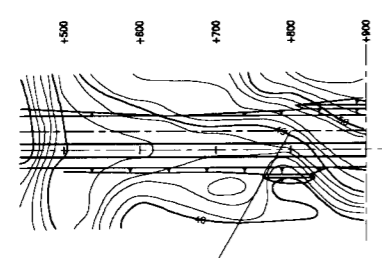


DISTANCE (KM)	111.000	111.100	111.200	111.300	111.400	111.500	111.600	111.700	111.800	111.900	112.000	112.100	112.200	112.300	112.400	112.500	112.600	112.700	112.800	112.900	113.000	113.100	113.200	113.300	113.400	113.500						
ORIGINAL GROUND SURFACE	50.33	54.61	50.15	53.55	51.42	50.14	52.94	52.45	56.05	60.09	54.60	51.90	43.97	43.65	42.56	38.85	44.77	40.85	40.37	46.74	48.63	54.28	55.11	54.08	50.40	45.37						
TOP OF O/M ROAD	53.90	54.03	54.15	54.28	54.41	54.54	54.67	54.80	54.90	54.42	53.26	50.85	48.81	46.61	44.40	42.35	42.42	42.83	43.03	45.98	49.10	52.23	55.07	53.96	52.62	47.14						
LONGITUDINAL SLOPE			-0.120%				-0.05%				-0.09%				+0.15%				+0.18%				-0.28%				-0.23%				+0.23%	
CURVE ARRANGEMENT			L=658.61m				IP-18 W=52-50-00 R=500m TL=248.38m CL=481.06m SL=58.3m				L=1219.58m				W=12-10-00 R=500m TL=53.28m CL=106.17m SL=2.83m IP-19																	
SUPER ELEVATION			50.00				50.00				50.00				50.00																	

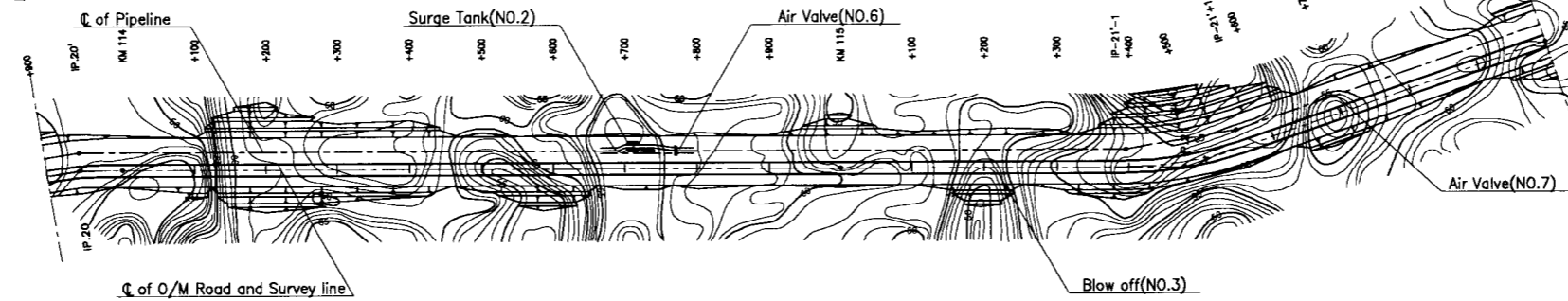
THE ARAB REPUBLIC OF EGYPT  
 MINISTRY OF WATER RESOURCES AND IRRIGATION  
 NORTH SINAI DEVELOPMENT ORGANIZATION  
 THE NORTH SINAI INTEGRATED RURAL  
 DEVELOPMENT PROJECT (PHASE III)  
 CONVEYANCE SYSTEM OF EL SHEIKH GABER EL SABBABH CANAL  
 BETWEEN KM 108.466 AND KM 118.560  
 EL SALAAM No.7 (BIR EL ABD) PUMPING STATION  
 DELIVERY PRESSURED PIPELINE  
 PLAN AND PROFILE OF O/M ROAD (2/4)  
 BETWEEN KM 111.000 AND KM 113.500  
 JAPAN INTERNATIONAL COOPERATION AGENCY (JICA)  
 SANYU CONSULTANTS INC., PACIFIC CONSULTANTS INTERNATIONAL

DESIGNED	
TRACED	
CHECKED	
APPROVED	
DRAWING NO.	DPP-206

O/M Road L=9,318.65 m



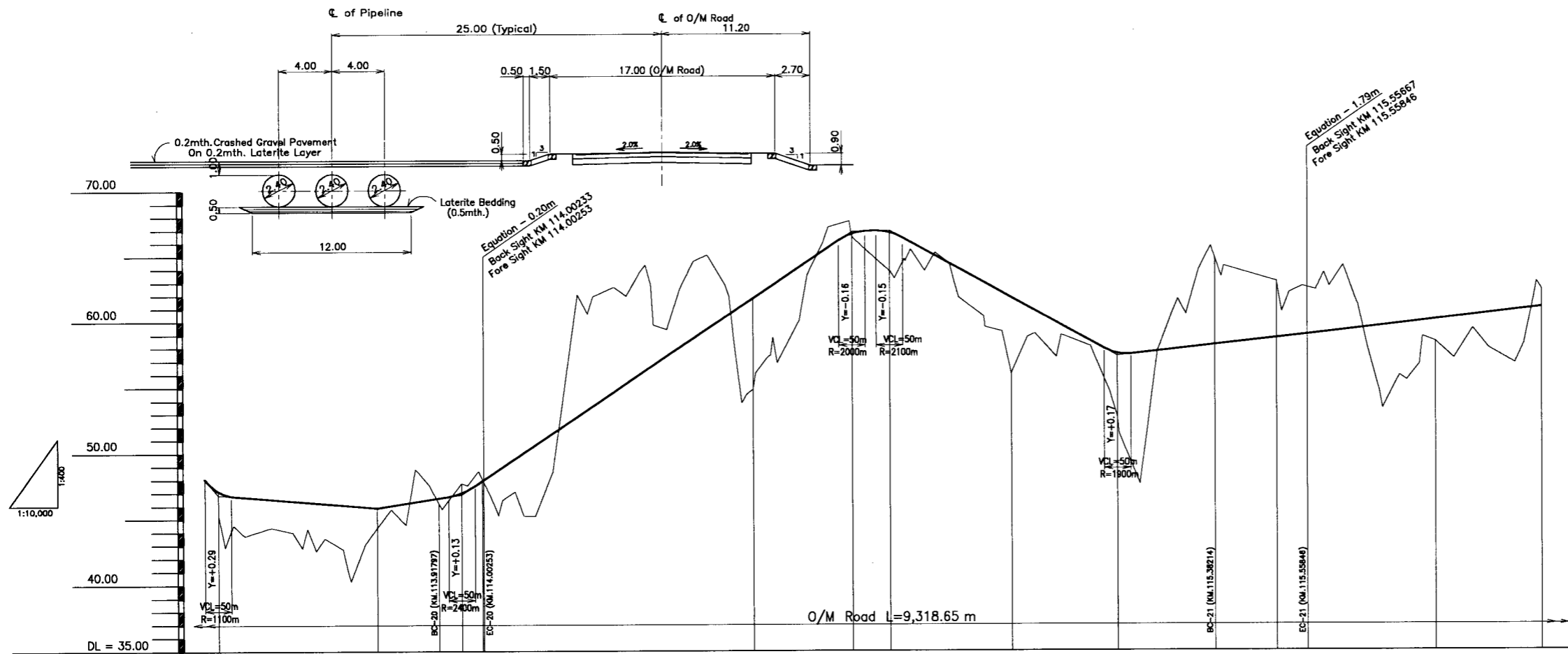
O/M Road L=9,318.65 m



NOTES:

- 1.This drawing shows "DISTANCE KM 113.500 to KM 116.000".
- 2.The DISTANCE(KM)s are the distance from Suez Siphon.
- 3.The distances of principal peg ( IP ) are shown in the following Table.

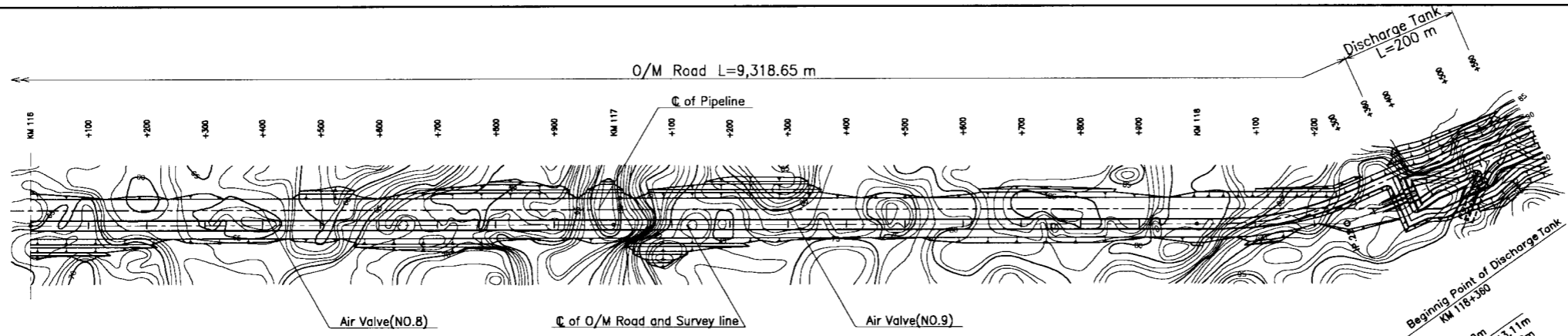
Principal peg	Distance (M)
IP-20	113,960.25
IP-21	115470.30



DISTANCE (KM)	113.500	113.600	113.700	113.800	113.900	114.000	114.100	114.200	114.300	114.400	114.500	114.600	114.700	114.800	114.900	115.000	115.100	115.200	115.300	115.400	115.500	115.600	115.700	115.800	115.900	116.000						
ORIGINAL GROUND SURFACE	45.37	44.37	43.54	44.33	47.59	47.73	48.74	48.97	45.26	60.64	63.81	64.34	64.61	54.45	60.09	66.44	63.88	64.62	61.85	56.01	56.98	57.74	60.47	64.22	63.03	62.64	53.33	56.41	57.90	62.43		
TOP OF O/M ROAD	47.14	46.52	46.18	45.85	46.47	46.98	47.92	50.63	53.33	56.03	64.34	64.61	61.44	64.15	66.69	66.80	66.28	64.05	61.82	59.58	57.52	57.82	58.20	58.28	56.59	58.71	58.97	59.16	59.63	60.10	60.56	61.03
LONGITUDINAL SLOPE	-0.333%		-0.624%		-0.85%		-2.70%		-2.23%		-0.457%		-0.441%		-0.457%		-0.457%		-0.457%		-0.457%		-0.457%		-0.457%		-0.457%		-0.457%			
CURVE ARRANGEMENT	L=484.44m										L=1379.61m										L=2490.20m											
SUPER ELEVATION	-										-										-											

THE ARAB REPUBLIC OF EGYPT  
 MINISTRY OF WATER RESOURCES AND IRRIGATION  
 NORTH SINAI DEVELOPMENT ORGANIZATION  
 THE NORTH SINAI INTEGRATED RURAL DEVELOPMENT PROJECT (PHASE III)  
 CONVEYANCE SYSTEM OF EL SHEIKH GABER EL SABBABH CANAL BETWEEN KM 108.466 AND KM 118.560  
 EL SALAAM No.7 (BIR EL ABD) PUMPING STATION  
 DELIVERY PRESSURED PIPELINE PLAN AND PROFILE OF O/M ROAD (3/4) BETWEEN KM 113.500 AND KM 116.000  
 JAPAN INTERNATIONAL COOPERATION AGENCY (JICA)  
 SANYU CONSULTANTS INC,PACIFIC CONSULTANTS INTERNATIONAL

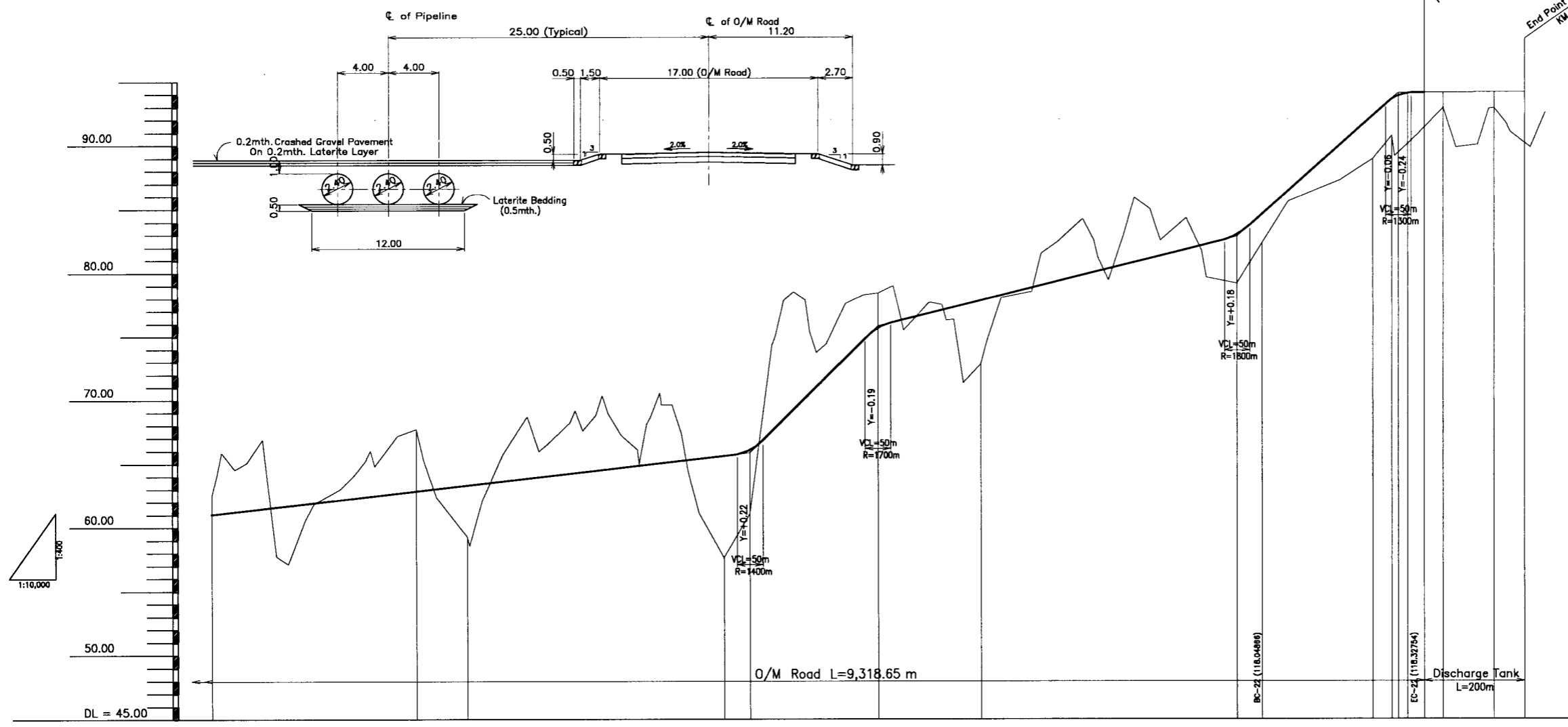
DESIGNED	
TRACED	
CHECKED	
APPROVED	
DRAWING NO.	DPP-207



**NOTES:**

- 1.This drawing shows "DISTANCE KM 116.000 to KM 118.560".
- 2.The DISTANCE(KM)s are the distance from Suez Siphon.
- 3.The distances of principal peg (IP) are shown in the following Table.

Principal peg	Distance (M)
IP-22	118,262.68



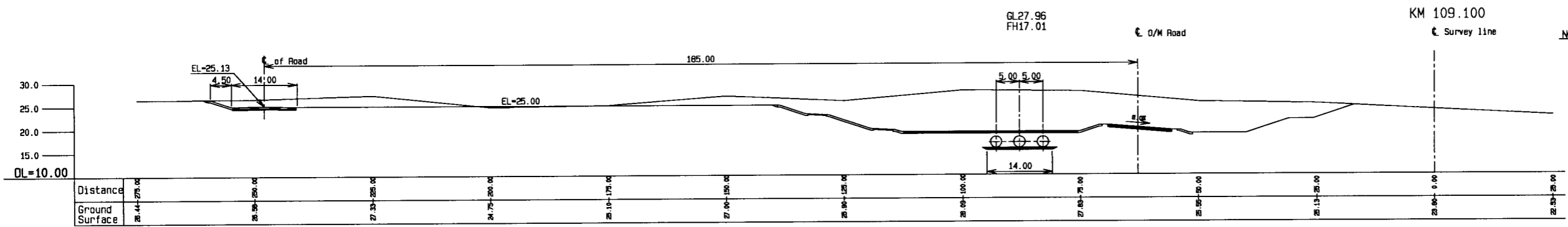
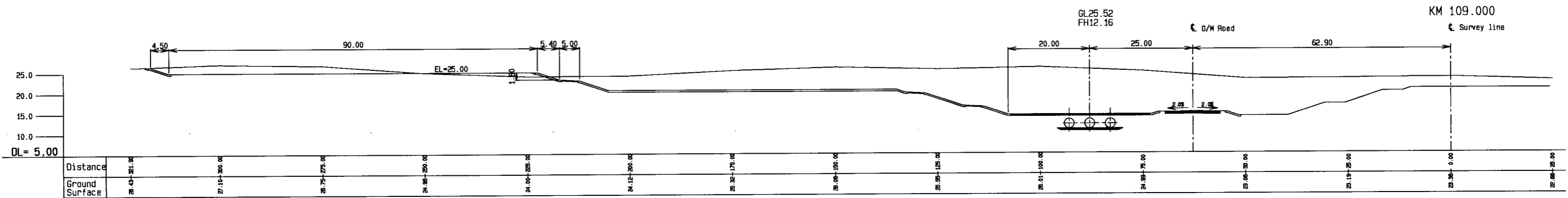
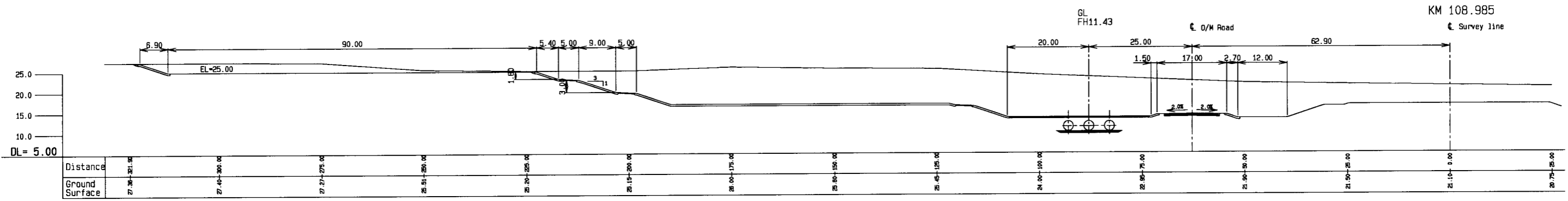
DISTANCE (KM)	116.000	116.100	116.200	116.300	116.400	116.500	116.600	116.700	116.800	116.900	117.000	117.050	117.100	117.200	117.300	117.400	117.500	117.600	117.700	117.800	117.900	118.000	118.100	118.200	118.300 (IP-22)	118.350	118.400	118.500	118.560			
ORIGINAL GROUND SURFACE	62.43	66.90	61.87	65.18	67.74	59.30	67.65	68.23	67.24	66.11	69.66	57.63	75.03	74.43	78.44	77.73	77.50	78.85	78.52	85.92	84.33	79.19	85.60	87.28	88.93	80.75	92.94	92.92	90.18			
TOP OF O/M ROAD	61.03	61.49	61.95	62.41	62.87	63.33	63.78	64.24	64.70	66.11	65.16	65.62	66.07	67.85	75.68	78.85	77.50	77.85	78.85	80.85	81.85	83.03	86.66	90.55	92.63	93.56	94.10	92.92	90.18			
LONGITUDINAL SLOPE	1:1000																-0.459%		-0.400%		-0.400%		-0.400%		-0.400%		-0.400%		-0.400%		-0.400%	
CURVE ARRANGEMENT																	L=2440.20m		M=30-01-20 R=500m TL=134.08m CL=261.99m SL=17.66 IP=22		L=32.46m											
SUPER ELEVATION																																

THE ARAB REPUBLIC OF EGYPT  
 MINISTRY OF WATER RESOURCES AND IRRIGATION  
 NORTH SINAI DEVELOPMENT ORGANIZATION  
 THE NORTH SINAI INTEGRATED RURAL DEVELOPMENT PROJECT (PHASE III)

CONVEYANCE SYSTEM OF EL SHEIKH GABER EL SABBABH CANAL  
 BETWEEN KM 108.466 AND KM 118.560  
 EL SALAAM No.7 (BIR EL ABD) PUMPING STATION  
 DELIVERY PRESSURED PIPELINE  
 PLAN AND PROFILE OF O/M ROAD (4/4)  
 BETWEEN KM 116.000 AND KM 118.560

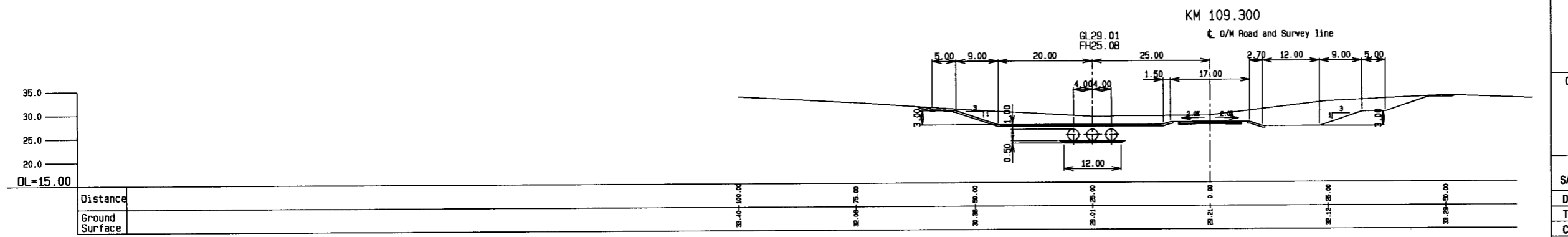
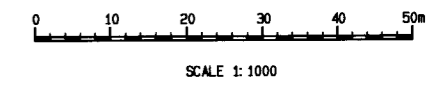
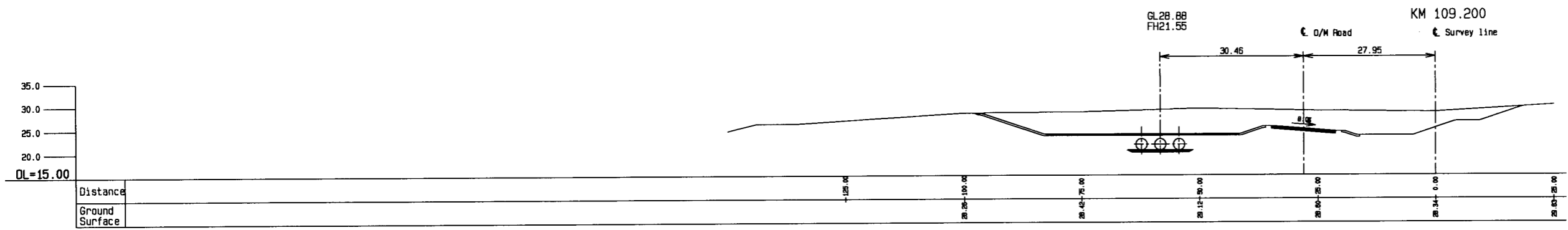
JAPAN INTERNATIONAL COOPERATION AGENCY (JICA)  
 SANYU CONSULTANTS INC., PACIFIC CONSULTANTS INTERNATIONAL

DESIGNED	
TRACED	
CHECKED	
APPROVED	
DRAWING NO.	DPP-208



**NOTES:**

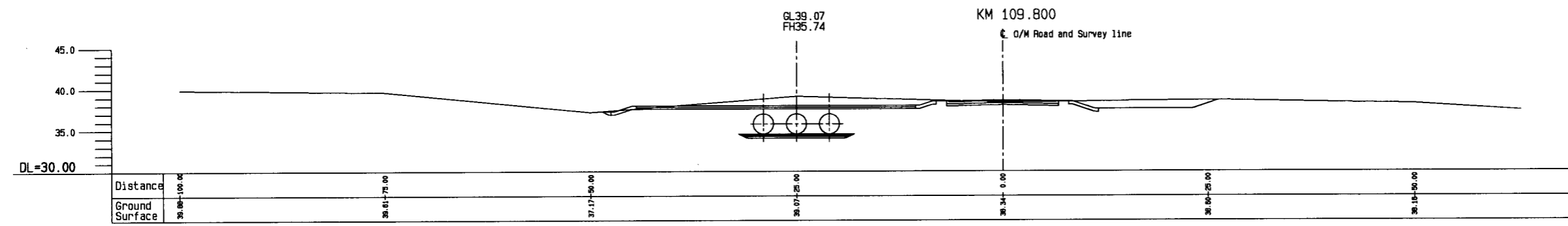
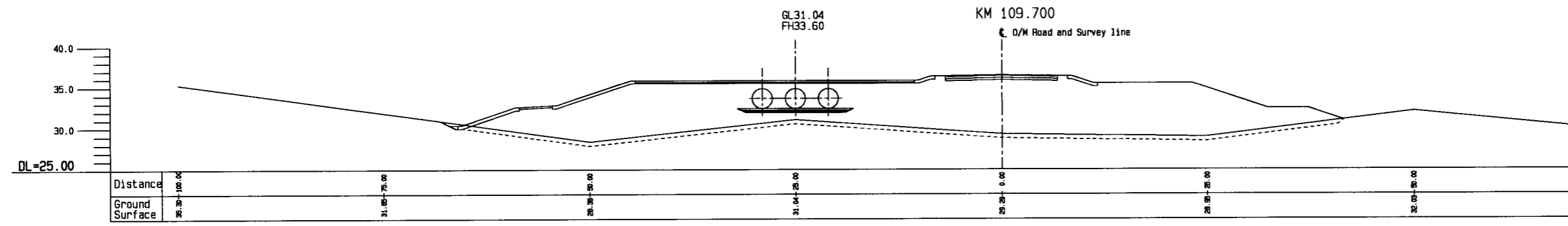
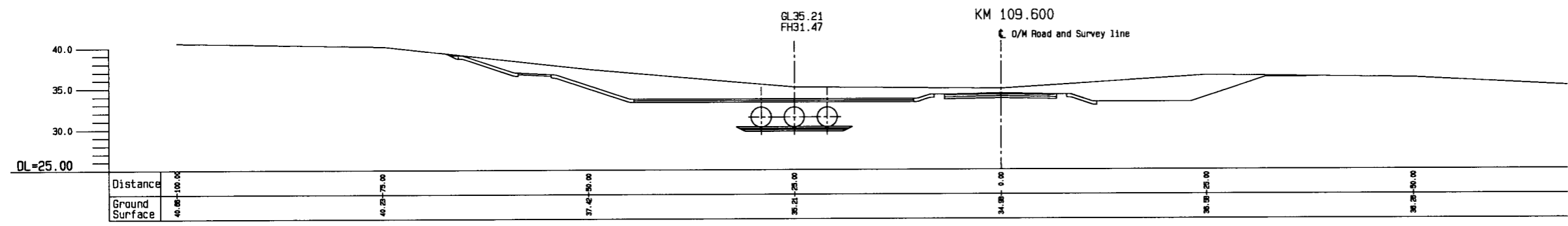
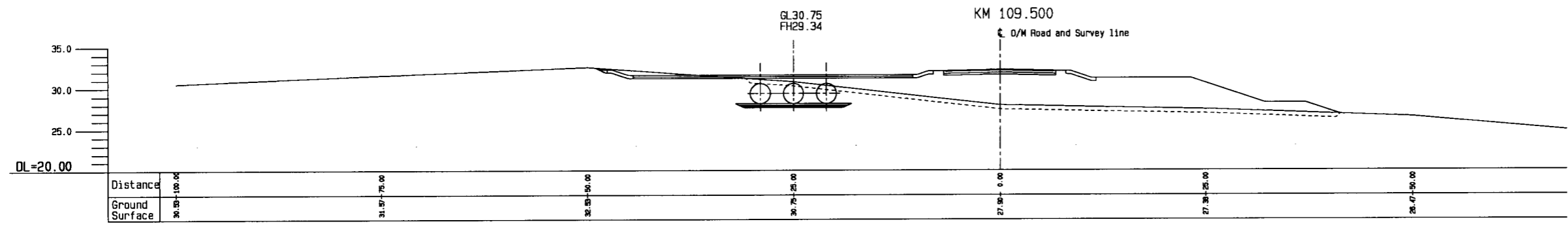
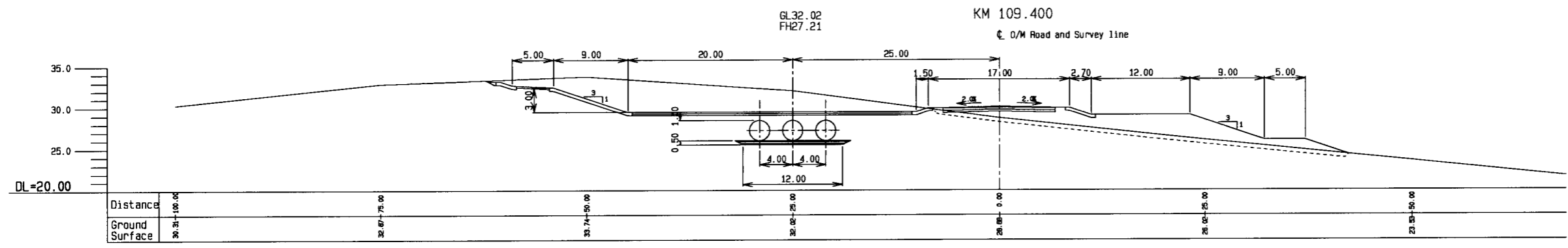
- (1) Elevations of FH are at center of pipe,
- (2) Beginning point of Pipeline is at KM 108.985,
- (3) For detail of typical cross section of Pipeline and O/M Road, see Dwg. No. DPP-229,



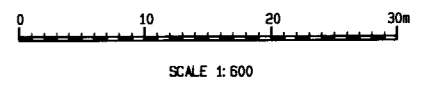
THE ARAB REPUBLIC OF EGYPT  
 MINISTRY OF WATER RESOURCES AND IRRIGATION  
 NORTH SINAI DEVELOPMENT ORGANIZATION  
 THE NORTH SINAI INTEGRATED RURAL  
 DEVELOPMENT PROJECT (PHASE III )  
 CONVEYANCE SYSTEM OF EL SHEIKH GABER EL SABBAH CANAL  
 BETWEEN KM 108.465 AND KM 118.560  
 EL SALAAM No.7 (BIR EL ABD) PUMPING STATION  
 DELIVERY PRESSURED PIPELINE  
 CROSS SECTIONS OF PIPELINE (1/20)  
 BETWEEN KM 108.985 AND KM 109.300

JAPAN INTERNATIONAL COOPERATION AGENCY (JICA)  
 SANYU CONSULTANTS INC. PACIFIC CONSULTANTS INTERNATIONAL

DESIGNED	
TRACED	
CHECKED	
APPROVED	
DRAWING NO.	DPP-209



NOTES:  
 (1) Elevations of FH are at center of pipe,  
 (2) For detail of typical cross section of Pipeline and O/M Road, see Dwg. No. DPP-229,

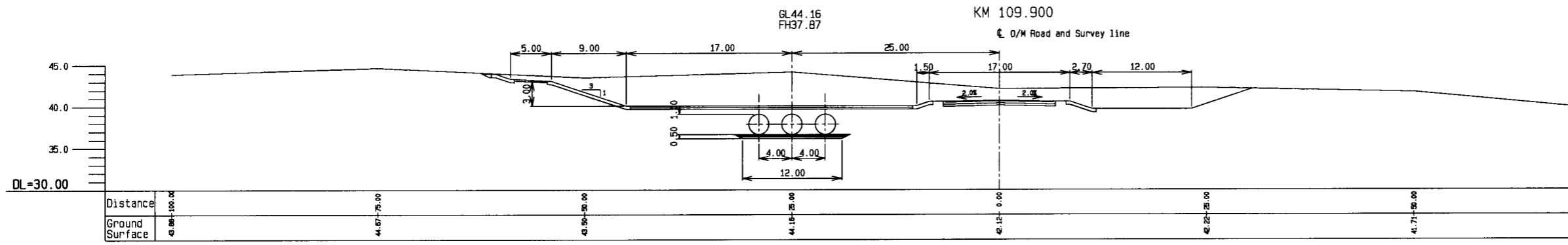


THE ARAB REPUBLIC OF EGYPT  
 MINISTRY OF WATER RESOURCES AND IRRIGATION  
 NORTH SINAI DEVELOPMENT ORGANIZATION  
 THE NORTH SINAI INTEGRATED RURAL  
 DEVELOPMENT PROJECT (PHASE III)

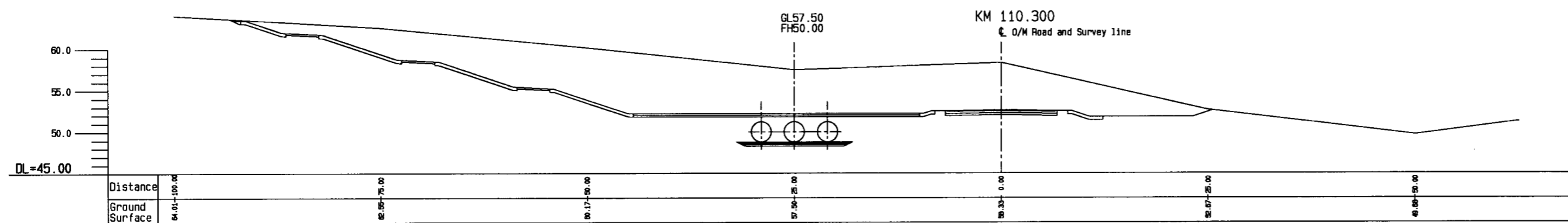
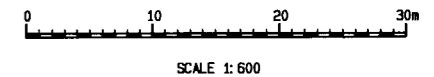
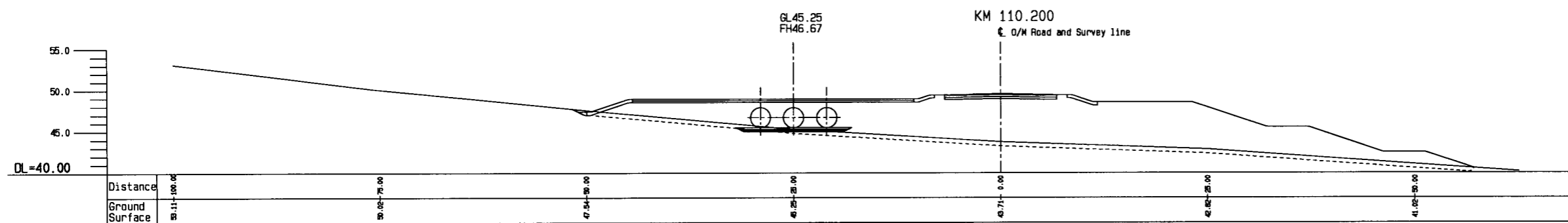
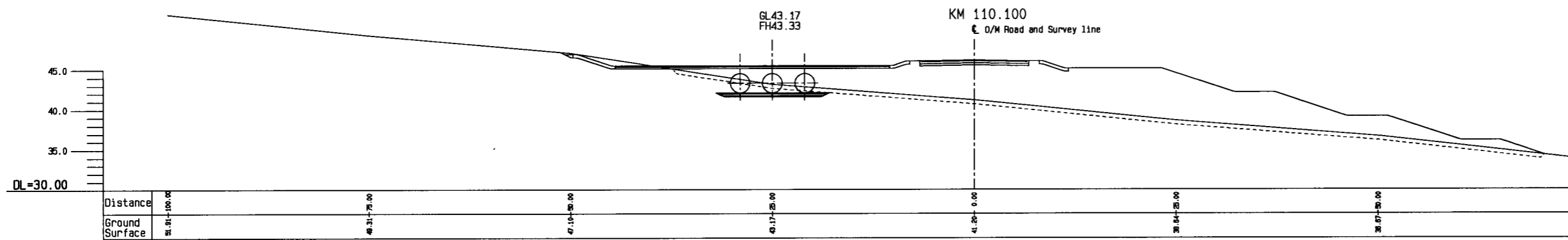
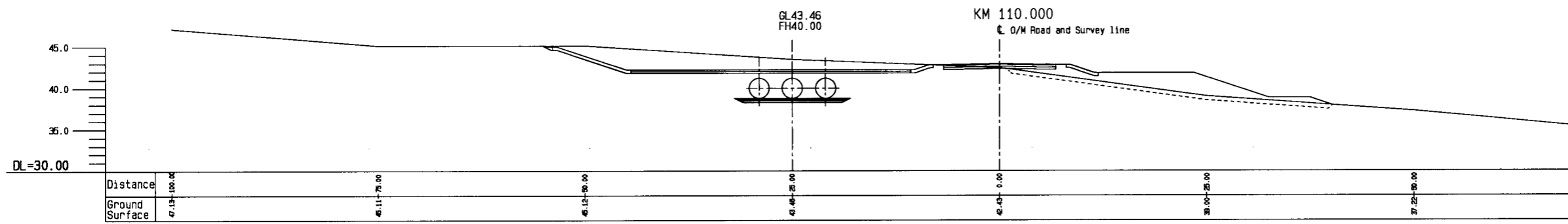
CONVEYANCE SYSTEM OF EL SHEIKH GABER EL SABBABH CANAL  
 BETWEEN KM 109.466 AND KM 110.560  
 EL SALAAM No.7 (BIR EL ABDI) PUMPING STATION  
 DELIVERY PRESSURED PIPELINE  
 CROSS SECTIONS OF PIPELINE (2/20)  
 BETWEEN KM 109.400 AND KM 109.800

JAPAN INTERNATIONAL COOPERATION AGENCY (JICA)  
 SANYU CONSULTANTS INC, PACIFIC CONSULTANTS INTERNATIONAL

DESIGNED	
TRACED	
CHECKED	
APPROVED	
DRAWING NO.	DPP-210



- NOTES:
- (1) Elevations of FH are at center of pipe,
  - (2) For detail of typical cross section of Pipeline and O/M Road, see Dwg. No. DPP-229,

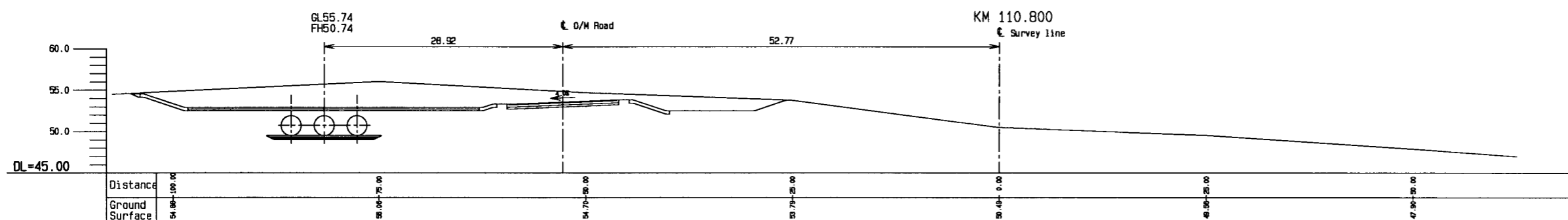
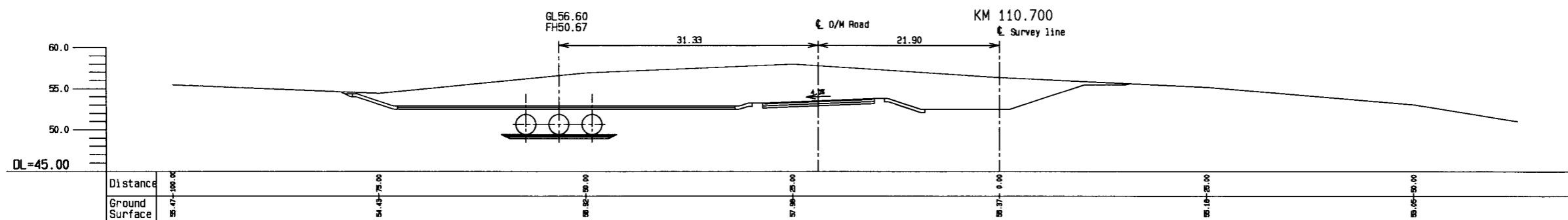
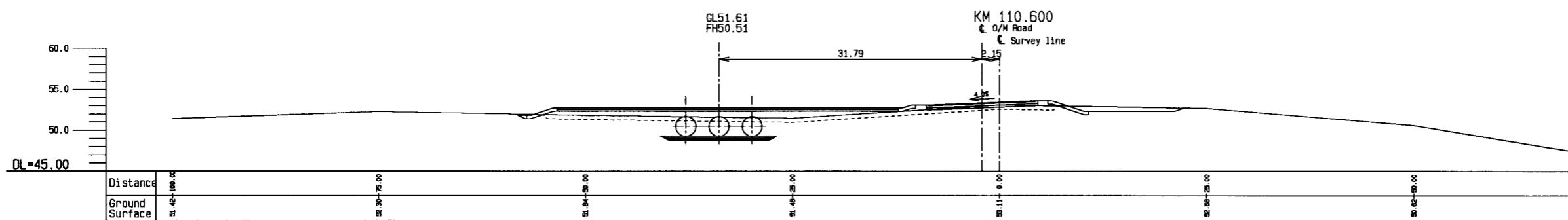
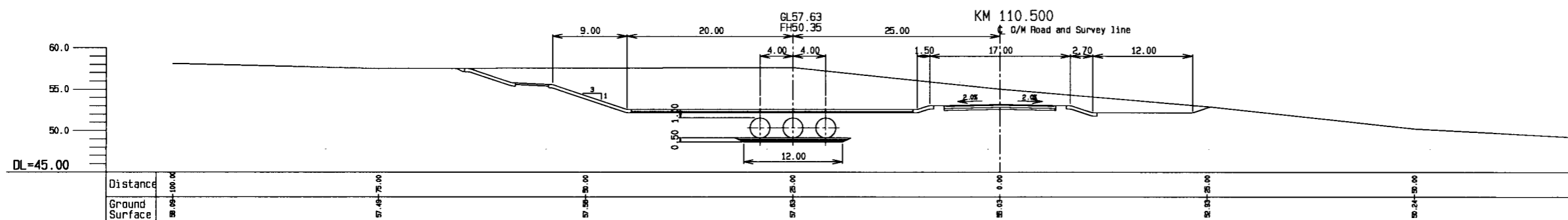
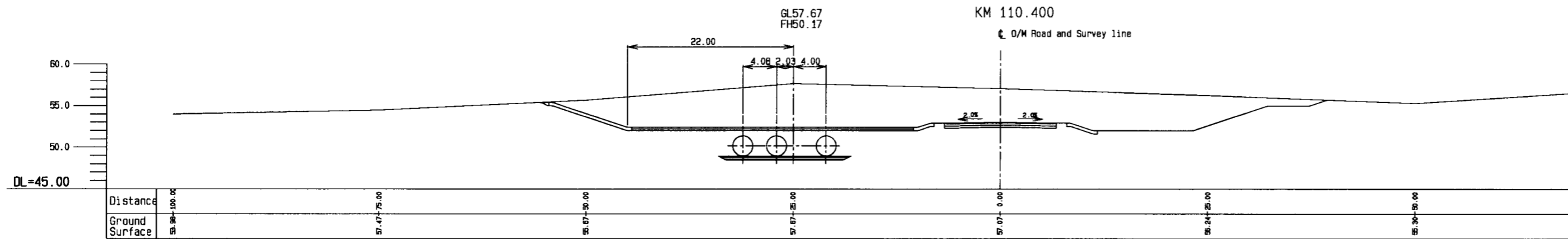


THE ARAB REPUBLIC OF EGYPT  
 MINISTRY OF WATER RESOURCES AND IRRIGATION  
 NORTH SINAI DEVELOPMENT ORGANIZATION  
 THE NORTH SINAI INTEGRATED RURAL  
 DEVELOPMENT PROJECT (PHASE III)

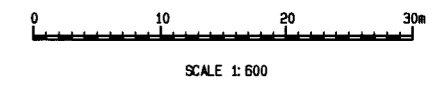
CONVEYANCE SYSTEM OF EL SHEIKH GABER EL SABBABH CANAL  
 BETWEEN KM 108.466 AND KM 118.560  
 EL SALAAM No.7 (BIR EL ABD) PUMPING STATION  
 DELIVERY PRESSURED PIPELINE  
 CROSS SECTIONS OF PIPELINE (3/20)  
 BETWEEN KM 109.900 AND KM 110.300

JAPAN INTERNATIONAL COOPERATION AGENCY (JICA)  
 SANYU CONSULTANTS INC, PACIFIC CONSULTANTS INTERNATIONAL

DESIGNED	
TRACED	
CHECKED	
APPROVED	
DRAWING NO.	DPP-211



- NOTES:
- (1) Elevations of FH are at center of pipe.
  - (2) For detail of typical cross section of Pipeline and O/M Road, see Dwg. No.DPP-229.



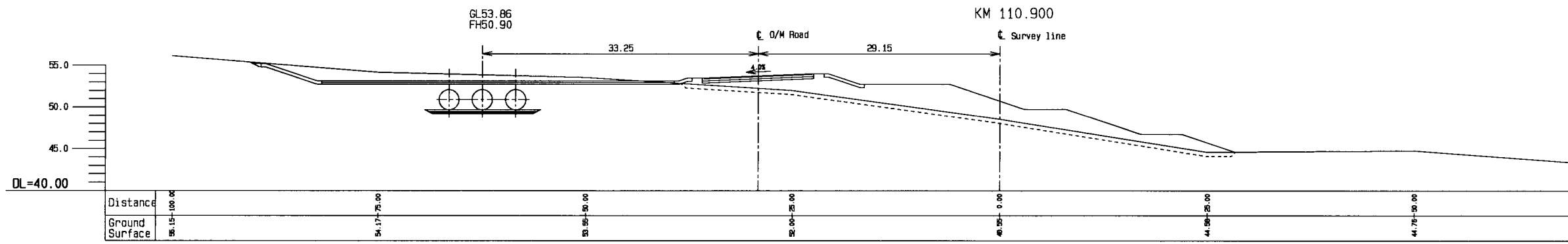
THE ARAB REPUBLIC OF EGYPT  
 MINISTRY OF WATER RESOURCES AND IRRIGATION  
 NORTH SINAI DEVELOPMENT ORGANIZATION  
 THE NORTH SINAI INTEGRATED RURAL  
 DEVELOPMENT PROJECT (PHASE III)

CONVEYANCE SYSTEM OF EL SHEIKH GABER EL SABBABH CANAL  
 BETWEEN KM 108.466 AND KM118.560  
 EL SALAAM No.7 (BIR EL ABD) PUMPING STATION  
 DELIVERY PRESSURED PIPELINE  
 CROSS SECTIONS OF PIPELINE (4/20)  
 BETWEEN KM 110.400 AND KM 110.800

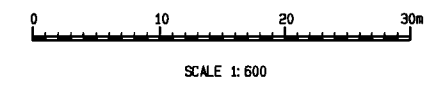
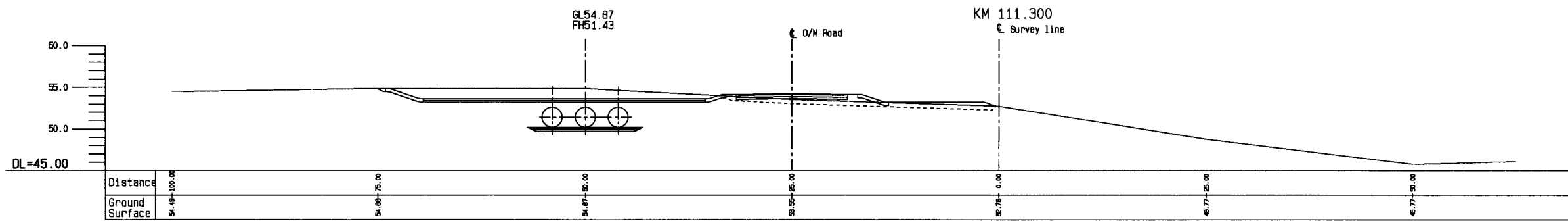
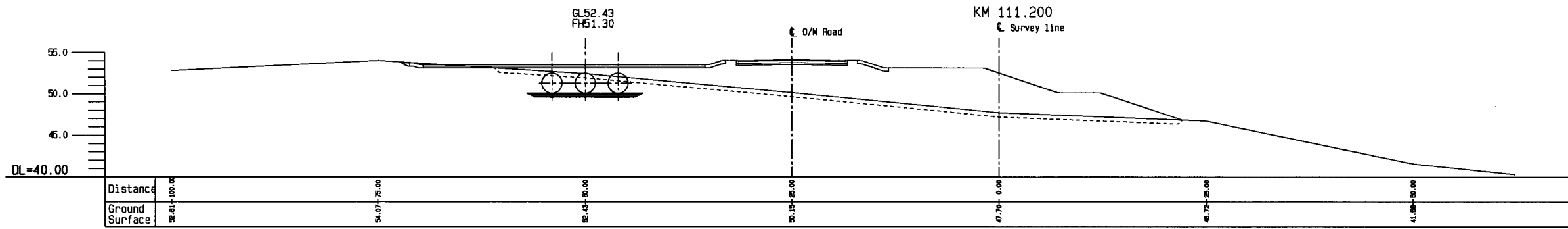
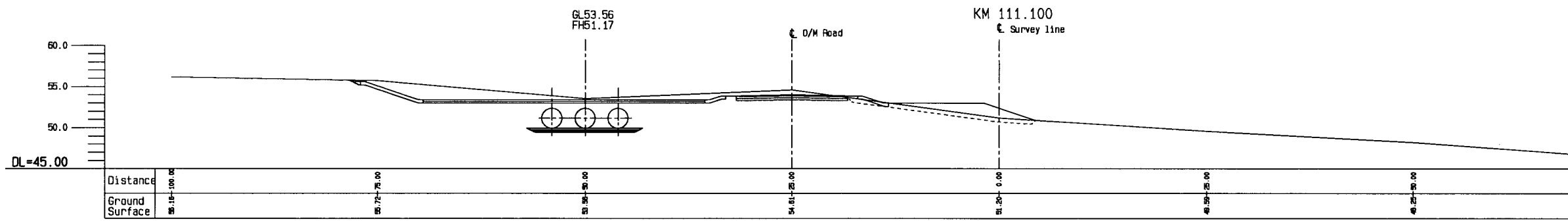
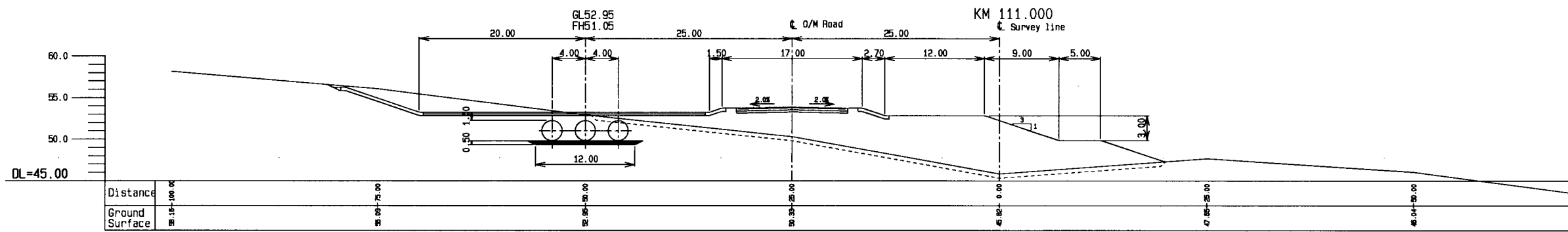
JAPAN INTERNATIONAL COOPERATION AGENCY (JICA)  
 SANYU CONSULTANTS INC, PACIFIC CONSULTANTS INTERNATIONAL

DESIGNED	
TRACED	
CHECKED	
APPROVED	
DRAWING NO.	DPP-212

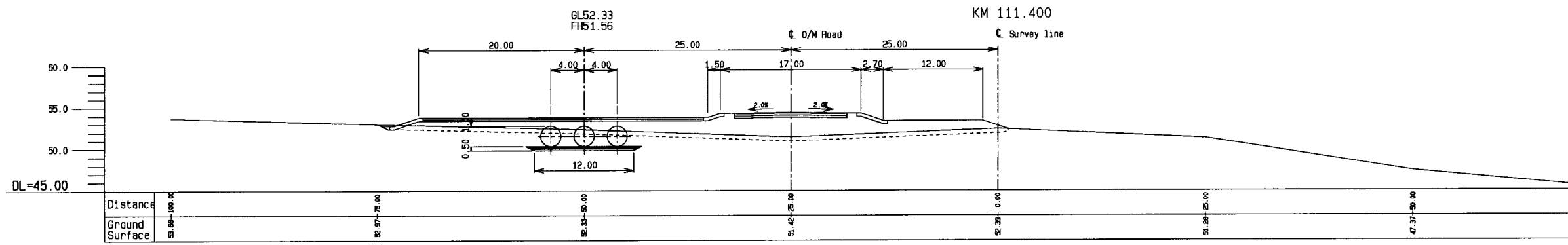




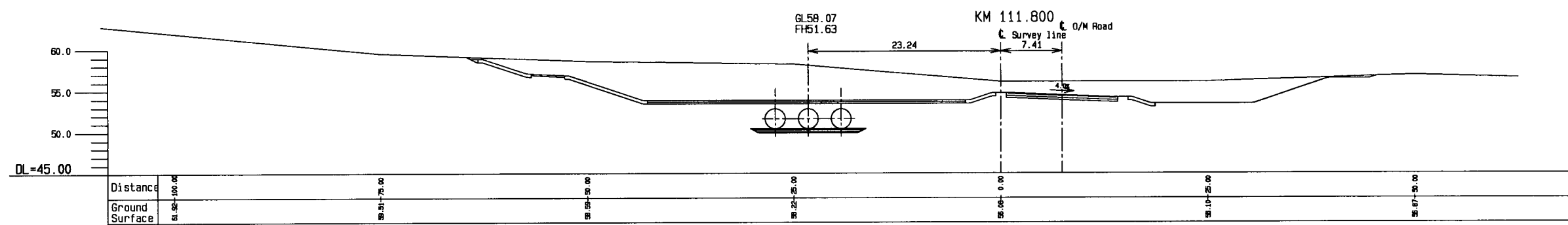
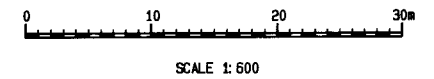
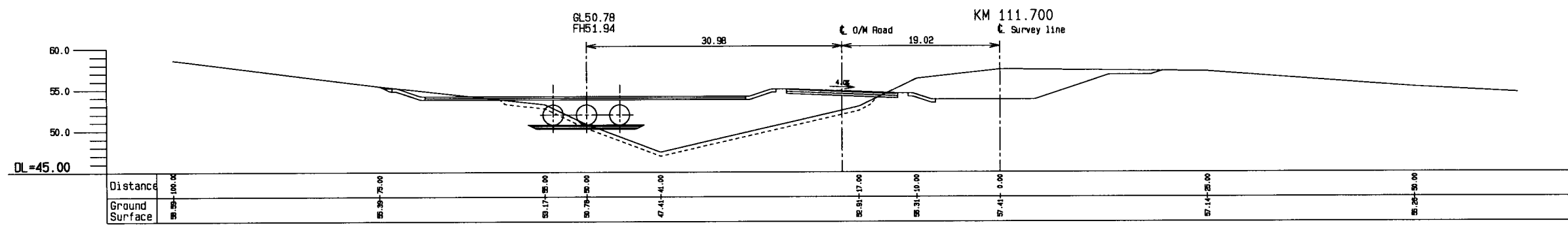
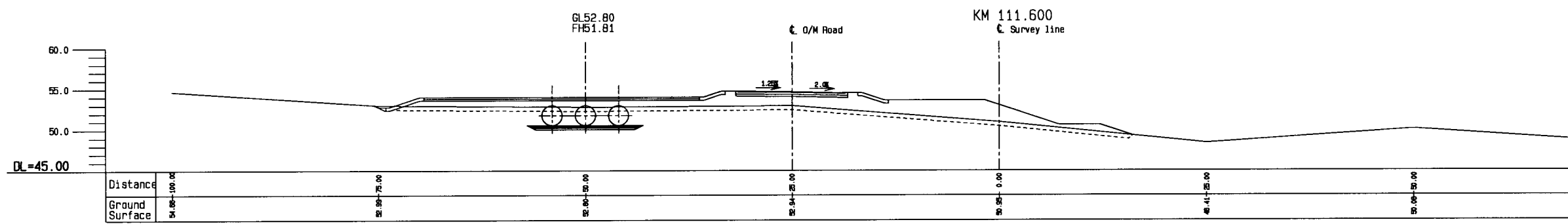
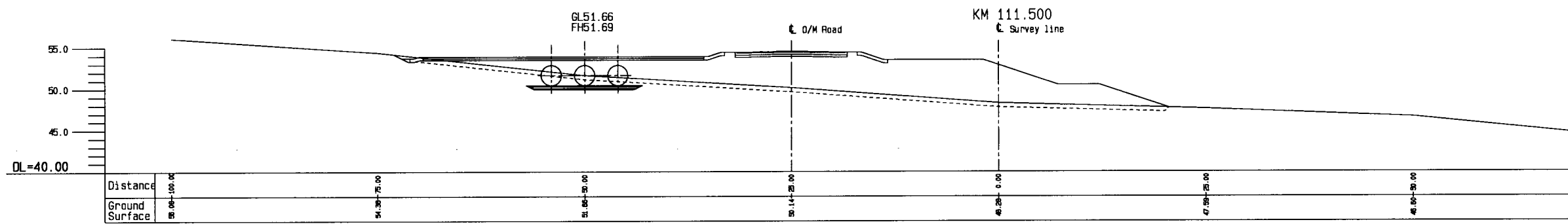
NOTES:  
 (1) Elevations of FH are at center of pipe,  
 (2) For detail of typical cross section of Pipeline and O/M Road, see Dwg. No.DPP-229,



THE ARAB REPUBLIC OF EGYPT MINISTRY OF WATER RESOURCES AND IRRIGATION NORTH SINAI DEVELOPMENT ORGANIZATION THE NORTH SINAI INTEGRATED RURAL DEVELOPMENT PROJECT (PHASE III)	
CONVEYANCE SYSTEM OF EL SHEIKH GABER EL SABBAAH CANAL BETWEEN KM 108.466 AND KM118.560 EL SALAAM No.7 (BIR EL ABD) PUMPING STATION DELIVERY PRESSURED PIPELINE CROSS SECTIONS OF PIPELINE (5/20) BETWEEN KM 110.900 AND KM 111.300	
JAPAN INTERNATIONAL COOPERATION AGENCY (JICA) SANYU CONSULTANTS INC, PACIFIC CONSULTANTS INTERNATIONAL	
DESIGNED	
TRACED	
CHECKED	
APPROVED	
DRAWING NO.	DPP-213



- NOTES:
- (1) Elevations of FH are at center of pipe,
  - (2) For detail of typical cross section of Pipeline and O/M Road, see Dwg. No. DPP-229,



THE ARAB REPUBLIC OF EGYPT  
 MINISTRY OF WATER RESOURCES AND IRRIGATION  
 NORTH SINAI DEVELOPMENT ORGANIZATION  
 THE NORTH SINAI INTEGRATED RURAL  
 DEVELOPMENT PROJECT (PHASE III)

CONVEYANCE SYSTEM OF EL SHEIKH GABER EL SABBABH CANAL  
 BETWEEN KM 108.466 AND KM 118.560  
 EL SALAAM No.7 (BIR EL ABDI) PUMPING STATION  
 DELIVERY PRESSURED PIPELINE  
 CROSS SECTIONS OF PIPELINE (6/20)  
 BETWEEN KM 111.400 AND KM 111.800

JAPAN INTERNATIONAL COOPERATION AGENCY (JICA)  
 SANYU CONSULTANTS INC, PACIFIC CONSULTANTS INTERNATIONAL

DESIGNED	
TRACED	
CHECKED	
APPROVED	
DRAWING NO.	DPP-214