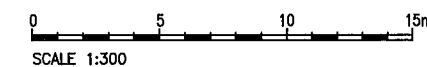
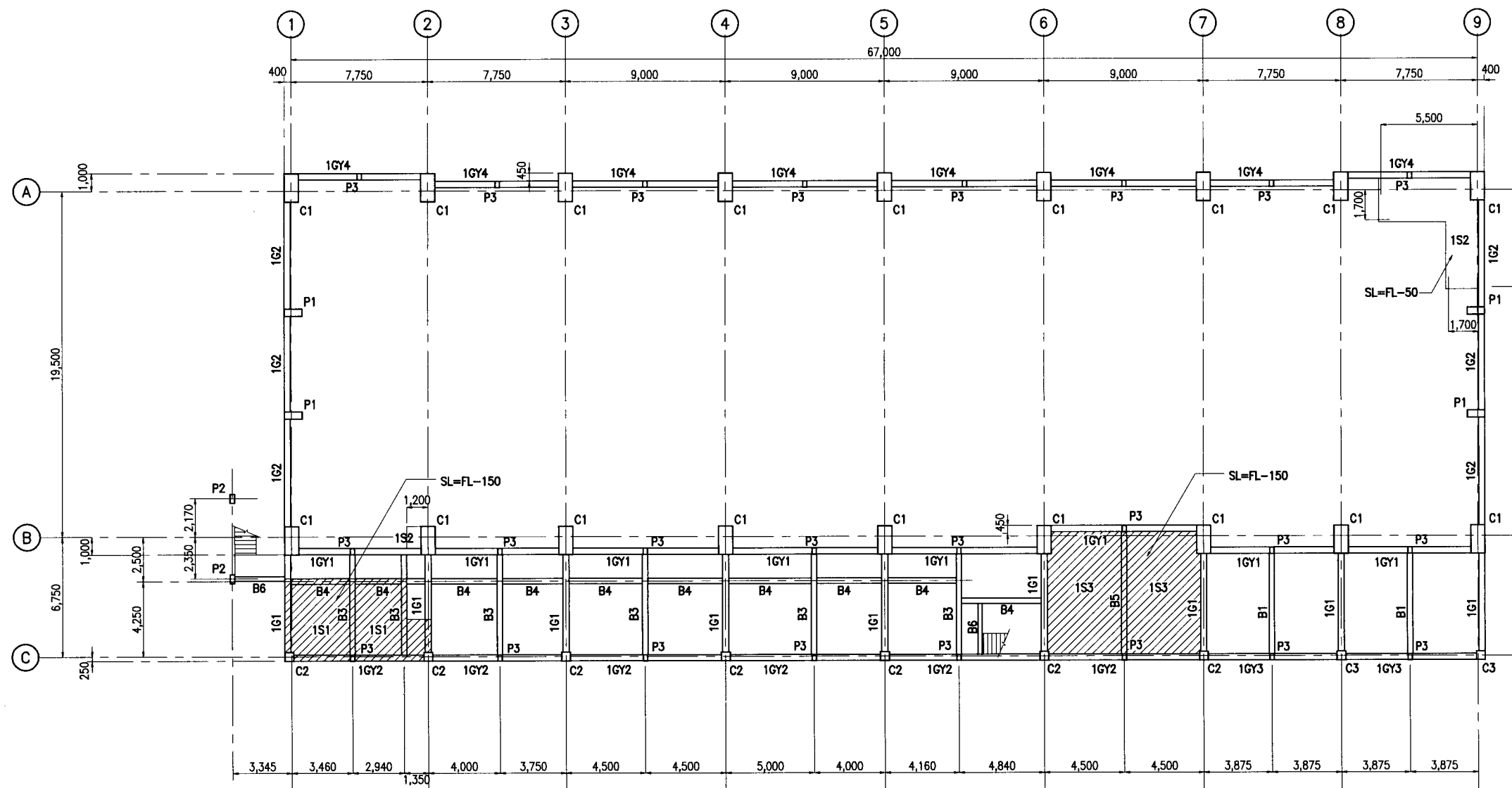


COLUMN ARRANGEMENT PLAN



THE ARAB REPUBLIC OF EGYPT MINISTRY OF WATER RESOURCES AND IRRIGATION NORTH SINAI DEVELOPMENT ORGANIZATION THE NORTH SINAI INTEGRATED RURAL DEVELOPMENT PROJECT (PHASE III)	
CONVEYANCE SYSTEM OF EL SHEIKH GABER EL SABBAB CANAL BETWEEN KM 108.466 AND KM 118.560 EL SALAAM No. 7 (BIR EL ABD) PUMPING STATION PUMP HOUSE COLUMN ARRANGEMENT PLAN	
JAPAN INTERNATIONAL COOPERATION AGENCY (JICA) SANYU CONSULTANTS INC, PACIFIC CONSULTANTS INTERNATIONAL	
DESIGNED	
TRACED	
CHECKED	
APPROVED	
DRAWING NO.	PSB-216



FRAMING PLAN (EL +19,500)

NOTES:

1. UNLESS OTHERWISE SHOWN,
TOP OF SLAB LEVEL (SL) = FL-50
2. UNLESS OTHERWISE SHOWN, SLAB MARK IS 1S2.

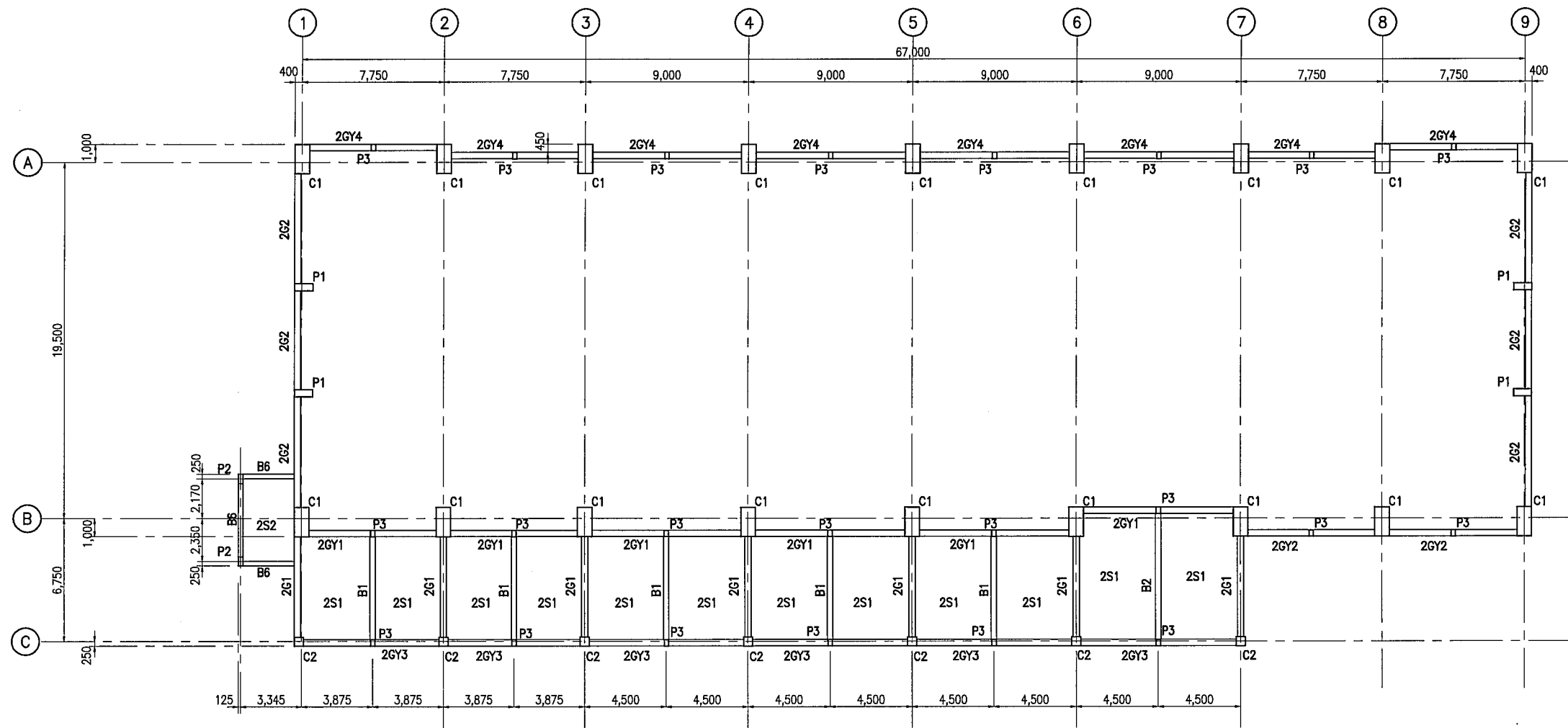


THE ARAB REPUBLIC OF EGYPT
MINISTRY OF WATER RESOURCES AND IRRIGATION
NORTH SINAI DEVELOPMENT ORGANIZATION
**THE NORTH SINAI INTEGRATED RURAL
DEVELOPMENT PROJECT (PHASE III)**

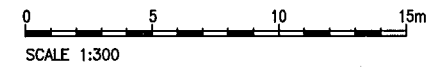
CONVEYANCE SYSTEM OF EL SHEIKH GABER EL SABBAN CANAL
BETWEEN KM 108.466 AND KM 118.560
EL SALAAM No. 7 (BIR EL ABD) PUMPING STATION
**PUMP HOUSE
FRAMING PLAN (1/3)**

JAPAN INTERNATIONAL COOPERATION AGENCY (JICA)
SANYU CONSULTANTS INC. PACIFIC CONSULTANTS INTERNATIONAL

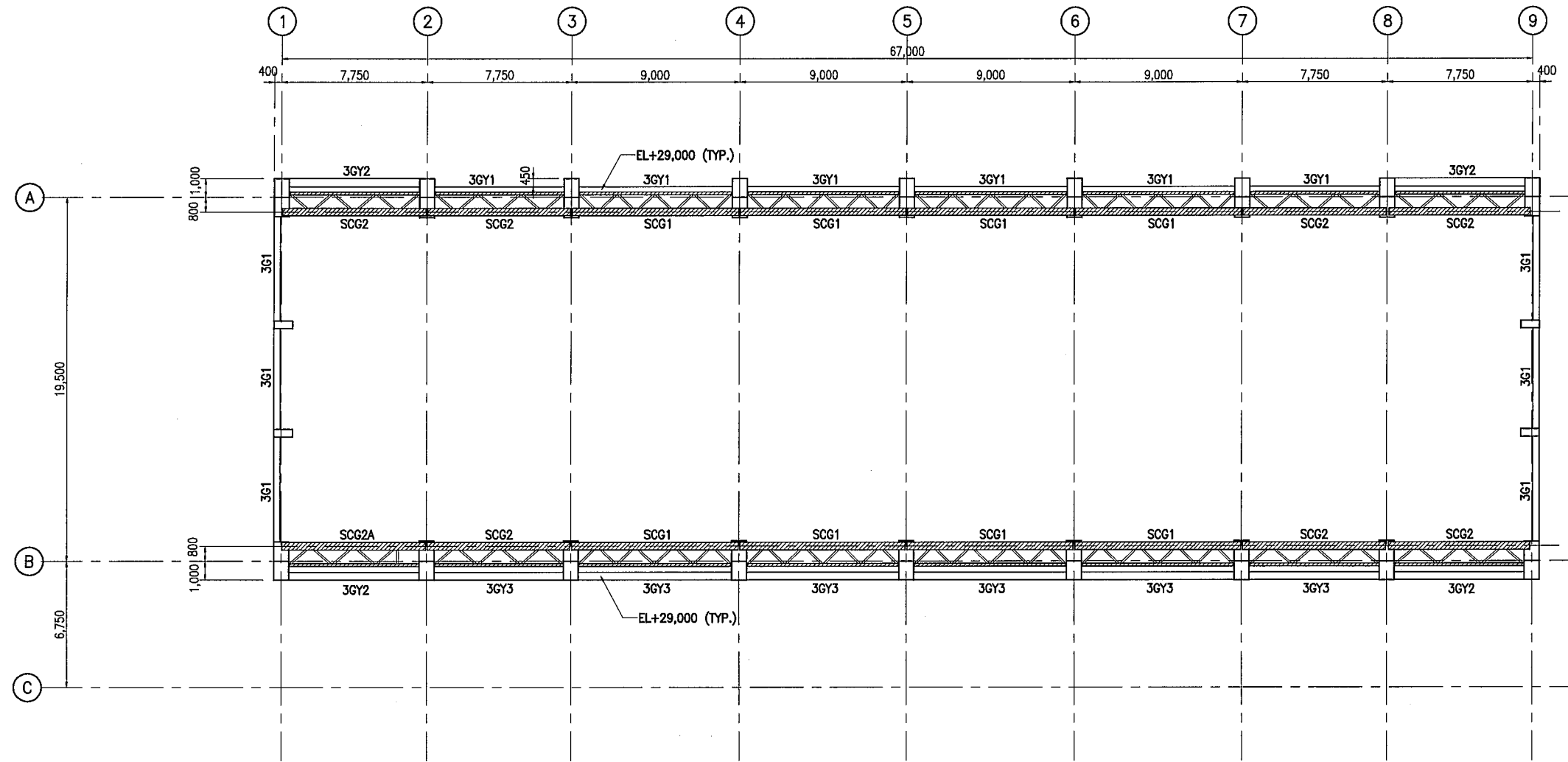
DESIGNED	
TRACED	
CHECKED	
APPROVED	
DRAWING NO.	PSB-217



FRAMING PLAN (EL +23,300)



THE ARAB REPUBLIC OF EGYPT MINISTRY OF WATER RESOURCES AND IRRIGATION NORTH SINAI DEVELOPMENT ORGANIZATION THE NORTH SINAI INTEGRATED RURAL DEVELOPMENT PROJECT (PHASE III)	
CONVEYANCE SYSTEM OF EL SHEIKH GABER EL SABBABH CANAL BETWEEN KM 108.466 AND KM 118.560 EL SALAAM No. 7 (BIR EL ABD) PUMPING STATION PUMP HOUSE FRAMING PLAN (2/3)	
JAPAN INTERNATIONAL COOPERATION AGENCY (JICA) SANYU CONSULTANTS INC, PACIFIC CONSULTANTS INTERNATIONAL	
DESIGNED	
TRACED	
CHECKED	
APPROVED	
DRAWING NO.	PSB-218



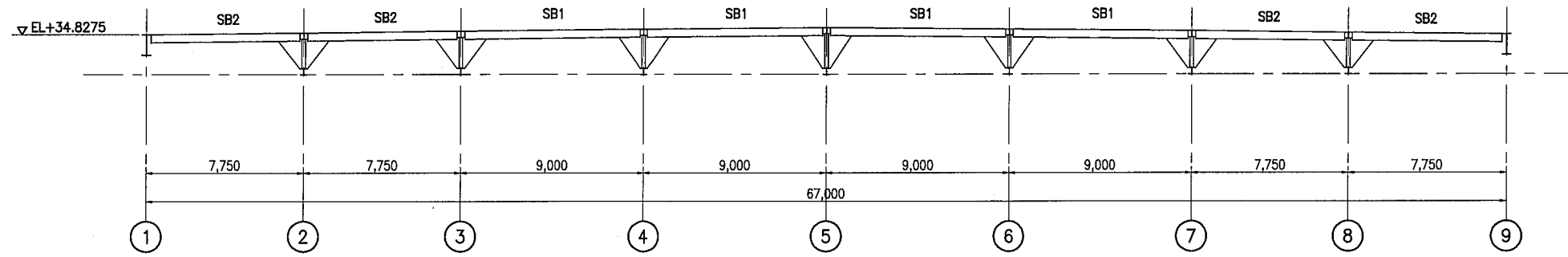
FRAMING PLAN (EL +27,900)

NOTES:

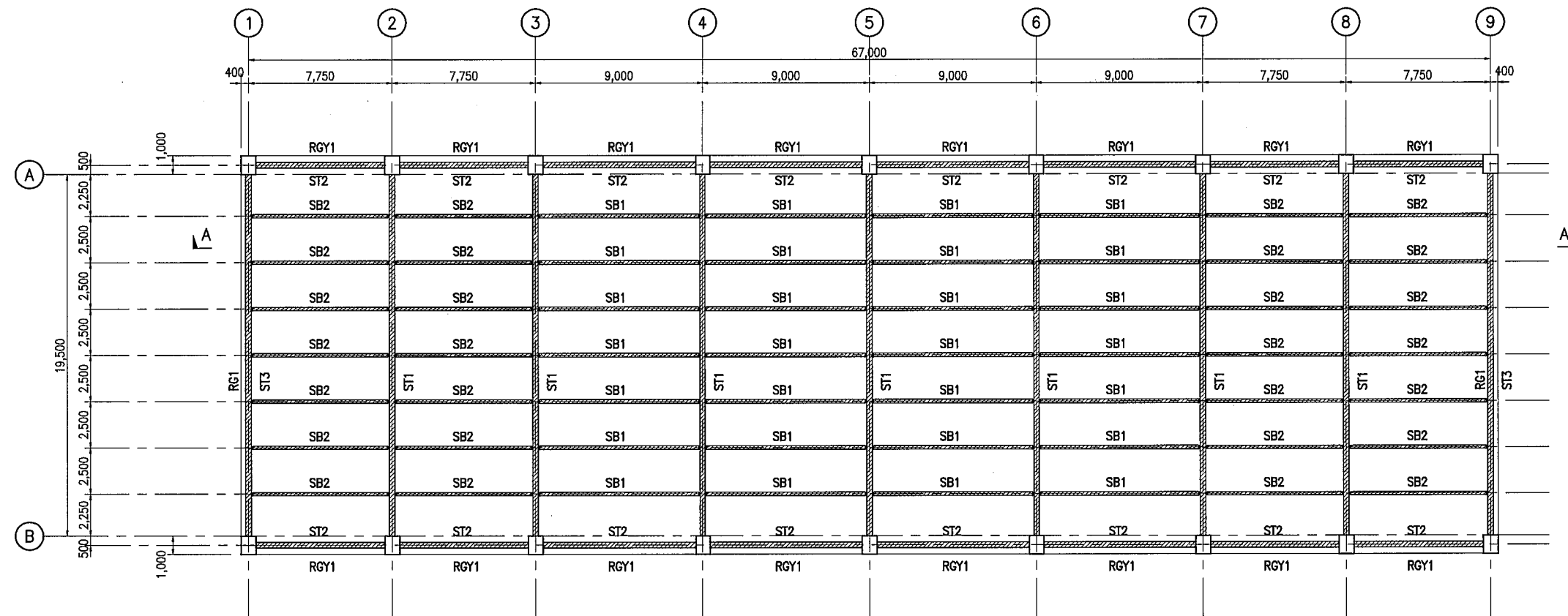
1. UNLESS OTHERWISE SHOWN, TOP LEVEL OF GIRDER = EL+27,805
2. TOP LEVEL OF GIRDER 3GY1, 3GY2, 3GY3 = EL+ 29,000



THE ARAB REPUBLIC OF EGYPT MINISTRY OF WATER RESOURCES AND IRRIGATION NORTH SINAI DEVELOPMENT ORGANIZATION THE NORTH SINAI INTEGRATED RURAL DEVELOPMENT PROJECT (PHASE III)	
CONVEYANCE SYSTEM OF EL SHEIKH GABER EL SABBAH CANAL BETWEEN KM 108.466 AND KM 118.560 EL SALAAM No. 7 (BIR EL ABD) PUMPING STATION PUMP HOUSE FRAMING PLAN (3/3)	
JAPAN INTERNATIONAL COOPERATION AGENCY (JICA) SANYU CONSULTANTS INC, PACIFIC CONSULTANTS INTERNATIONAL	
DESIGNED	
TRACED	
CHECKED	
APPROVED	
DRAWING NO.	PSB-219



A-A SECTION

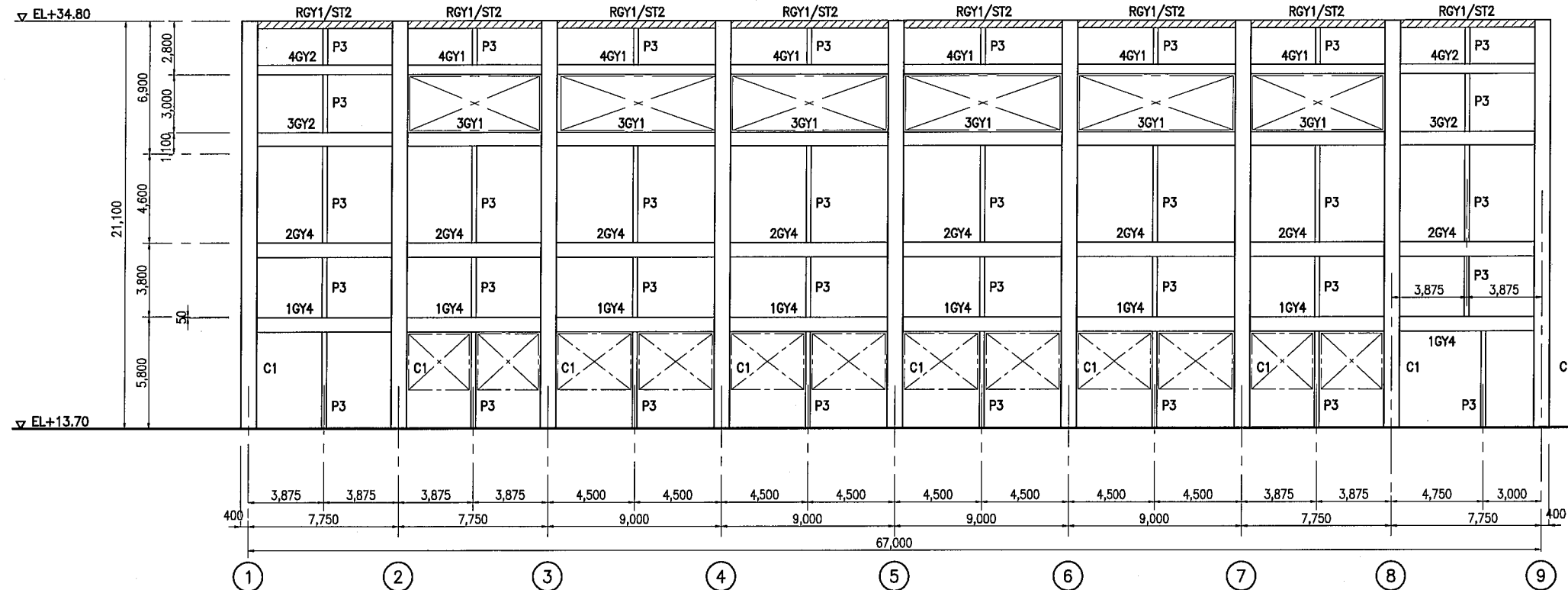


ROOF FRAMING PLAN

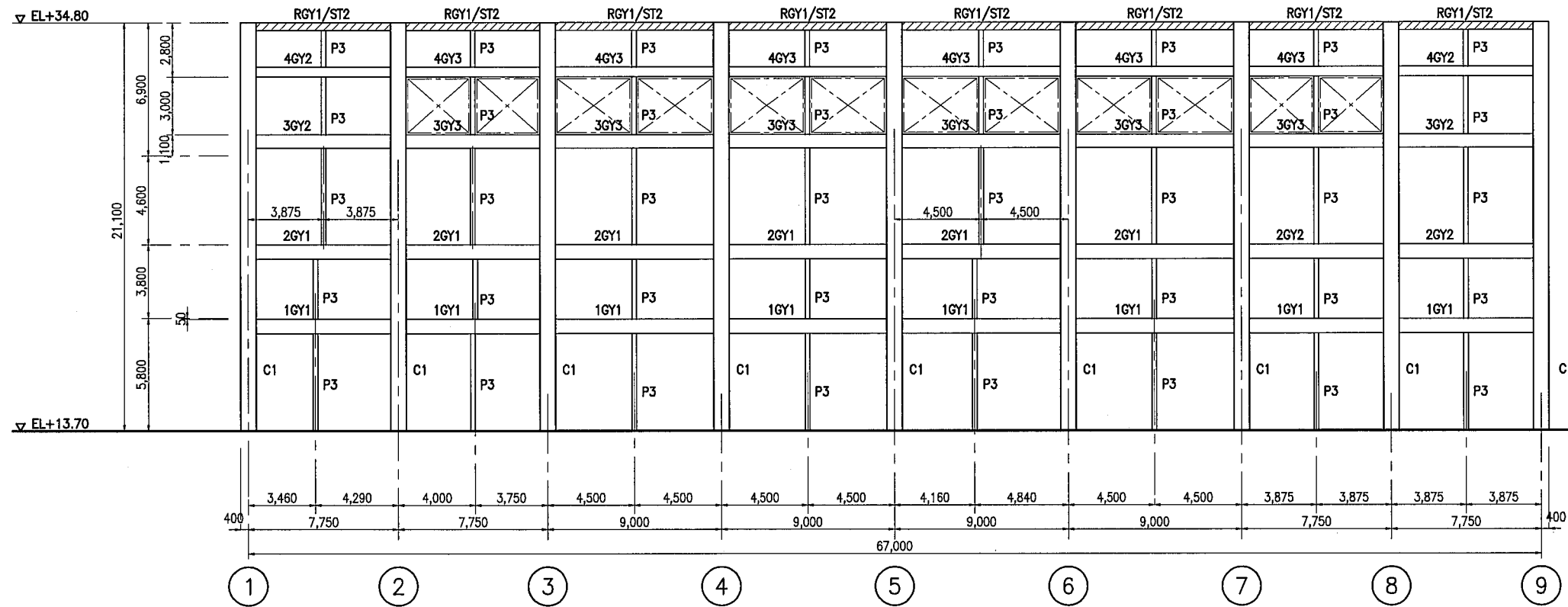
NOTES:
1. UNLESS OTHERWISE SHOWN, SLAB MARK IS RS1.



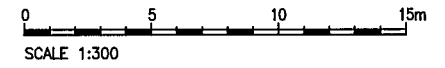
THE ARAB REPUBLIC OF EGYPT MINISTRY OF WATER RESOURCES AND IRRIGATION NORTH SINAI DEVELOPMENT ORGANIZATION THE NORTH SINAI INTEGRATED RURAL DEVELOPMENT PROJECT (PHASE III)	
CONVEYANCE SYSTEM OF EL SHEIKH GABER EL SABBABH CANAL BETWEEN KM 108.466 AND KM 118.560 EL SALAAM No. 7 (BIR EL ABD) PUMPING STATION PUMP HOUSE ROOF FRAMING PLAN	
JAPAN INTERNATIONAL COOPERATION AGENCY (JICA) SANYU CONSULTANTS INC, PACIFIC CONSULTANTS INTERNATIONAL	
DESIGNED	
TRACED	
CHECKED	
APPROVED	
DRAWING NO.	PSS-220



A ELEVATION



B ELEVATION



THE ARAB REPUBLIC OF EGYPT
 MINISTRY OF WATER RESOURCES AND IRRIGATION
 NORTH SINAI DEVELOPMENT ORGANIZATION

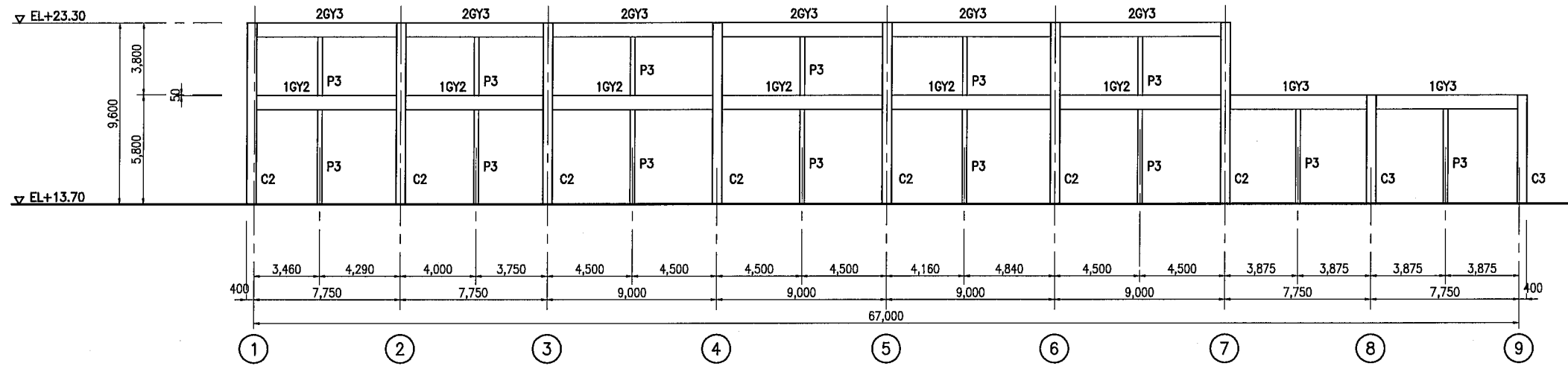
THE NORTH SINAI INTEGRATED RURAL DEVELOPMENT PROJECT (PHASE III)

CONVEYANCE SYSTEM OF EL SHEIKH GABER EL SABBAH CANAL
 BETWEEN KM 108.466 AND KM 118.560
 EL SALAAM No. 7 (BIR EL ABD) PUMPING STATION

PUMP HOUSE
 FRAMING ELEVATION (1/3)

JAPAN INTERNATIONAL COOPERATION AGENCY (JICA)
 SANYU CONSULTANTS INC, PACIFIC CONSULTANTS INTERNATIONAL

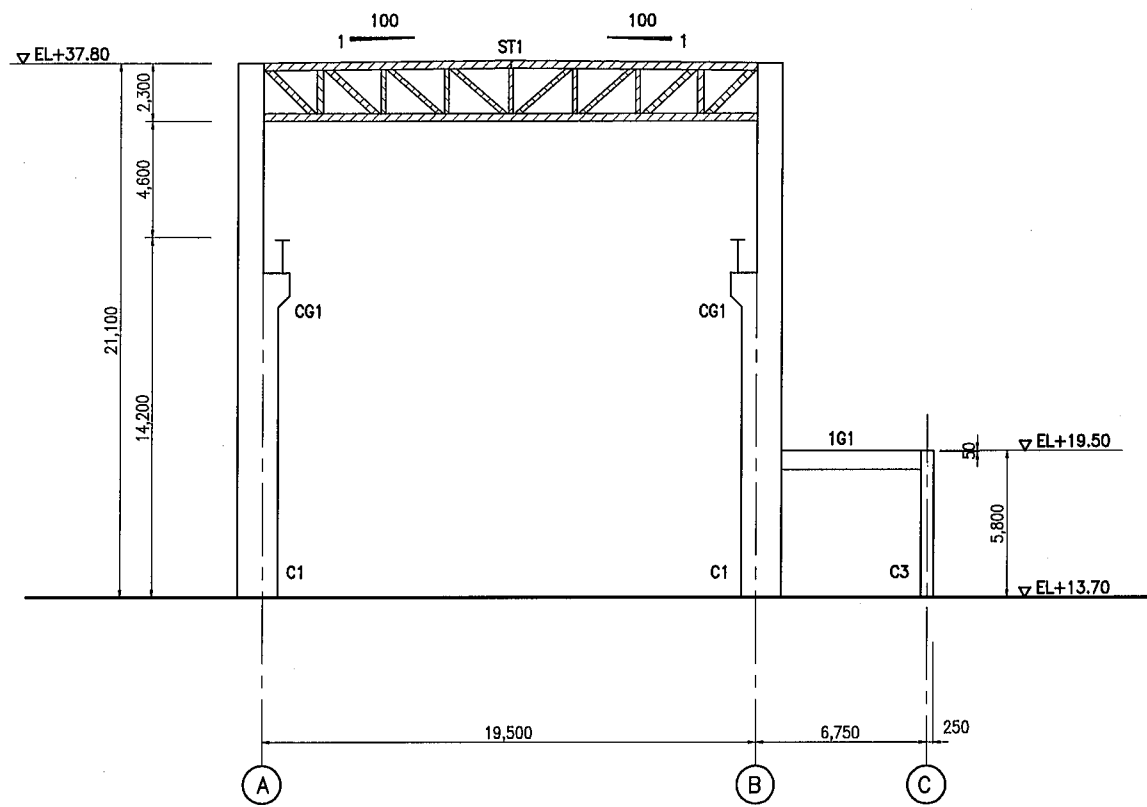
DESIGNED	
TRACED	
CHECKED	
APPROVED	
DRAWING NO.	PSB-221



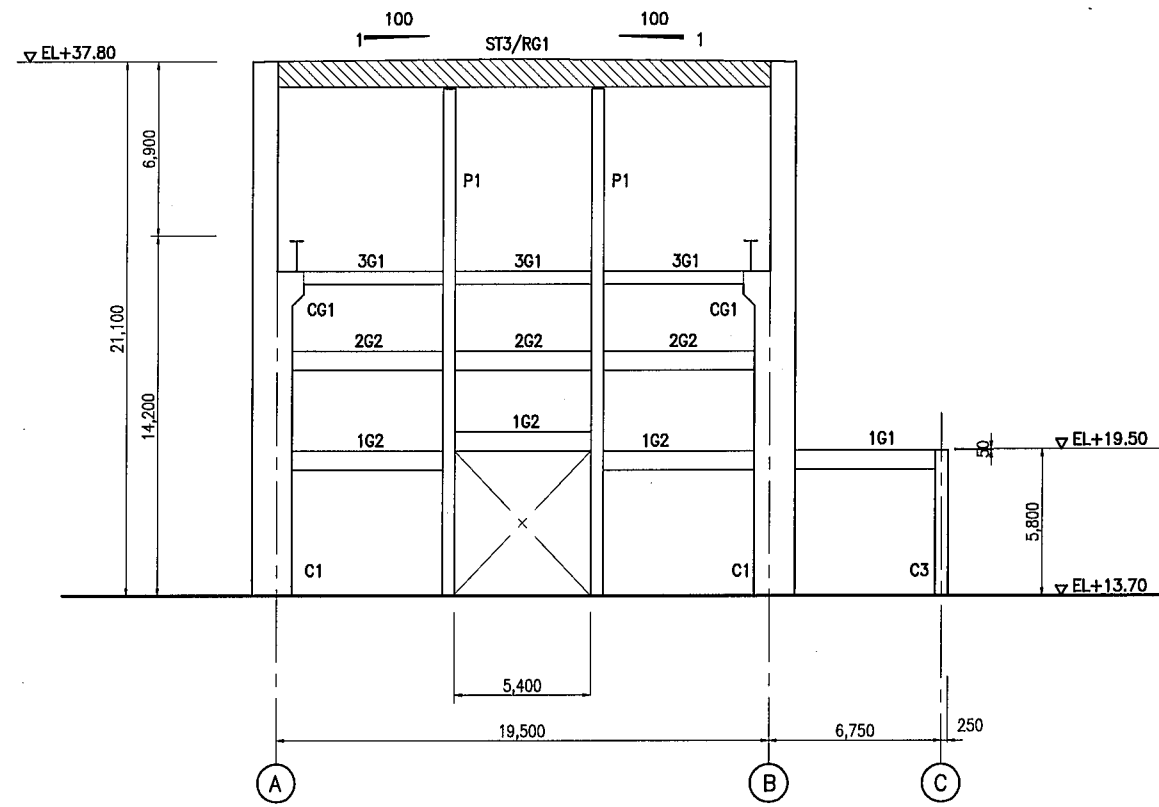
(C) ELEVATION



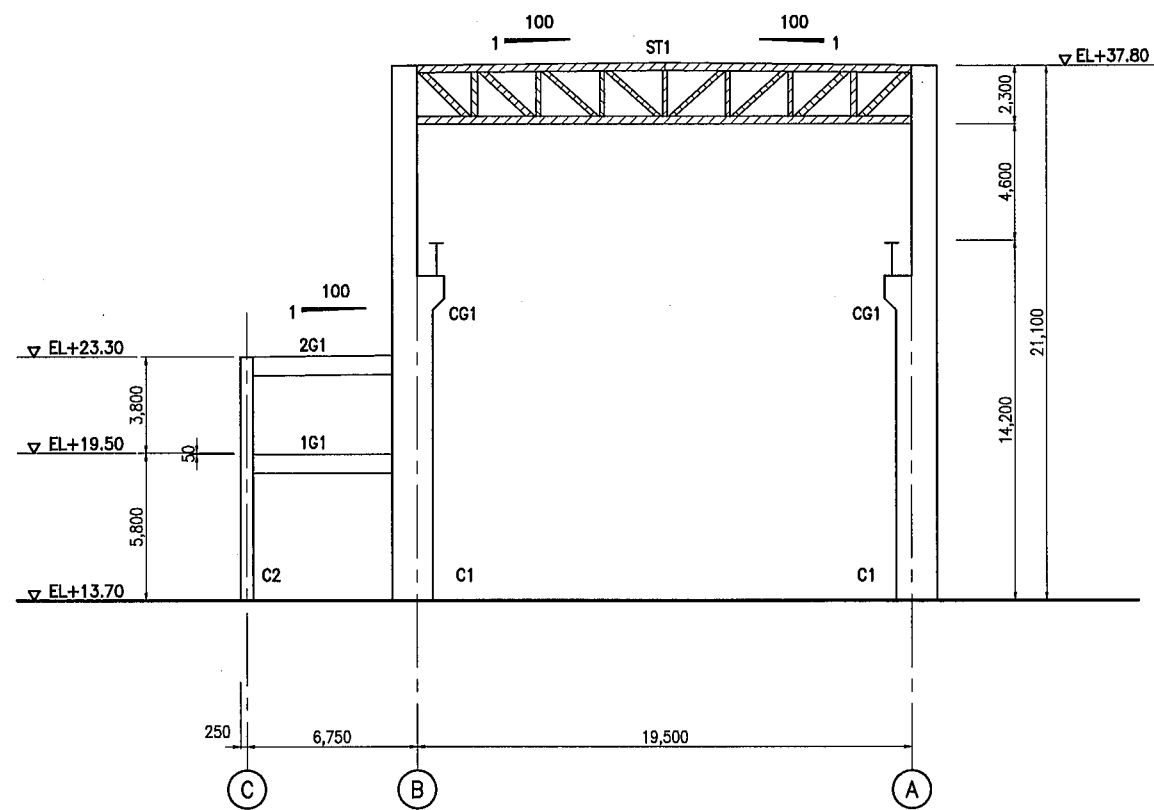
THE ARAB REPUBLIC OF EGYPT MINISTRY OF WATER RESOURCES AND IRRIGATION NORTH SINAI DEVELOPMENT ORGANIZATION THE NORTH SINAI INTEGRATED RURAL DEVELOPMENT PROJECT (PHASE III)	
CONVEYANCE SYSTEM OF EL SHEIKH GABER EL SABBABH CANAL BETWEEN KM 108.466 AND KM 118.560 EL SALAAM No. 7 (BIR EL ABD) PUMPING STATION PUMP HOUSE FRAMING ELEVATION (2/3)	
JAPAN INTERNATIONAL COOPERATION AGENCY (JICA) SANYU CONSULTANTS INC, PACIFIC CONSULTANTS INTERNATIONAL	
DESIGNED	
TRACED	
CHECKED	
APPROVED	
DRAWING NO.	PSB-222



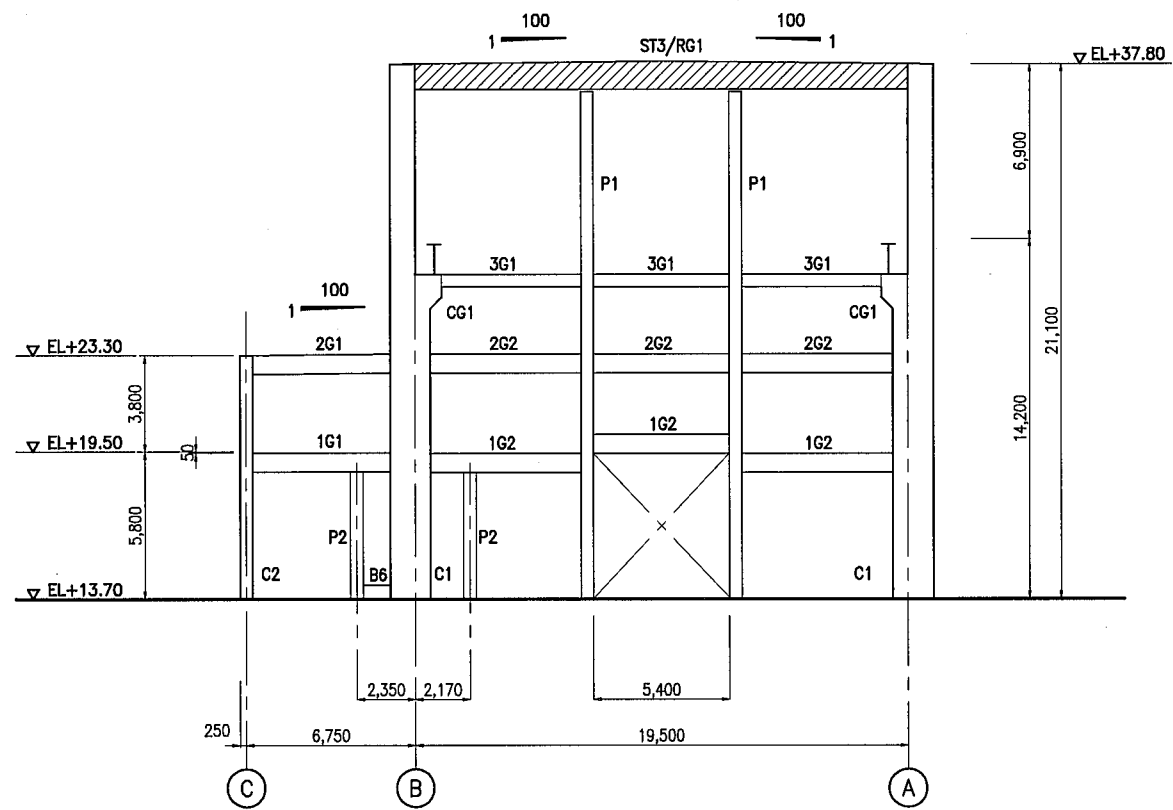
8 ELEVATION



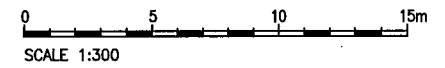
9 ELEVATION



5 ELEVATION



1 ELEVATION



THE ARAB REPUBLIC OF EGYPT MINISTRY OF WATER RESOURCES AND IRRIGATION NORTH SINAI DEVELOPMENT ORGANIZATION THE NORTH SINAI INTEGRATED RURAL DEVELOPMENT PROJECT (PHASE III)	
CONVEYANCE SYSTEM OF EL SHEIKH GABER EL SABBAH CANAL BETWEEN KM 108.466 AND KM 118.560 EL SALAAM No. 7 (BIR EL ABD) PUMPING STATION PUMP HOUSE FRAMING ELEVATION (3/3)	
JAPAN INTERNATIONAL COOPERATION AGENCY (JICA) SANYU CONSULTANTS INC, PACIFIC CONSULTANTS INTERNATIONAL	
DESIGNED	
TRACED	
CHECKED	
APPROVED	
DRAWING NO.	PSB-223

GIRDER LIST SCALE 1:80

MARK	RG1	RGY1	4GY1 (4GY3)		4GY2		3G1		3GY1 (3GY3)		3GY2	
POSITION	ALL	ALL	BOTH END	CENTER	BOTH END	CENTER	OUTER END	CENTER	BOTH END	CENTER	BOTH END	CENTER
SECTION												
STIRRUP	□D10 ●200	□D10 ●200	□D12 ●100 (□D12 ●200)		□D12 ●200		□D12 ●200		□D12 ●100 (□D12 ●200)		□D12 ●200	
WEB BER	3-D10	-	4-D16 (4-D10)		-		2-D10		4-D16 (4-D10)		2-D10	

MARK	2G1			2G2		2GY1		2GY2		2GY3		2GY4	
POSITION	OUTER END	CENTER	INNER END	BOTH END	CENTER	BOTH END	CENTER	BOTH END	CENTER	BOTH END	CENTER	BOTH END	CENTER
SECTION													
STIRRUP	□D12 ●200			□D12 ●200		□D12 ●200		□D12 ●200		□D12 ●200		□D12 ●200	
WEB BER	2-D10			2-D10		2-D10		2-D10		2-D10		2-D10	

MARK	1G1			1G2	1GY1		1GY2		1GY3		1GY4	
POSITION	OUTER END	CENTER	INNER END	ALL	BOTH END	CENTER	BOTH END	CENTER	BOTH END	CENTER	BOTH END	CENTER
SECTION												
STIRRUP	□D12 ●200			□D12 ●100	□D12 ●200		□D12 ●200		□D12 ●200		□D12 ●200	
WEB BER	2-D10			4-D16	2-D10		2-D10		2-D10		2-D10	

MARK	B1		B2		B3		B4		B5		B6
POSITION	BOTH END	CENTER	BOTH END	CENTER	BOTH END	CENTER	BOTH END	CENTER	BOTH END	CENTER	ALL
SECTION											
STIRRUP	□D10 ●200		□D10 ●200		□D10 ●200		□D10 ●200		□D10 ●200		□D10 ●200
WEB BER	2-D10		2-D10		2-D10		2-D10		2-D10		2-D10

THE ARAB REPUBLIC OF EGYPT
 MINISTRY OF WATER RESOURCES AND IRRIGATION
 NORTH SINAI DEVELOPMENT ORGANIZATION
THE NORTH SINAI INTEGRATED RURAL DEVELOPMENT PROJECT (PHASE III)

CONVEYANCE SYSTEM OF EL SHEIKH GABER EL SABBABH CANAL
 BETWEEN KM 108.466 AND KM 118.560
 EL SALAAM No. 7 (BIR EL ABD) PUMPING STATION

PUMP HOUSE
 RC MEMBER SCHEDULE (1/2)

JAPAN INTERNATIONAL COOPERATION AGENCY (JICA)
 SANYU CONSULTANTS INC, PACIFIC CONSULTANTS INTERNATIONAL

DESIGNED	
TRACED	
CHECKED	
APPROVED	
DRAWING NO.	PSB-224

COLUMN LIST SCALE 1:40

MARK	C1	C2	C3	P1	P2	P3
SECTION						
MAIN BAR	24-D25	12-D25	8-D25	20-D25	6-D22	4-D22
HOOP	□ D12 @150	□ D10 @150	□ D10 @150	□ D10 @200	□ D10 @200	□ D10 @200
CROSS TIE	D12 @300	D12 @300	D10 @300	D10 @400	-	-

WALL LIST SCALE 1:40

MARK	W18
SECTION	

CRANE GIRDER LIST SCALE 1:40

MARK	CG1	
POSITION	A-SECTION	B-SECTION
SECTION		
STIRRUP	□ D6 @150	□ D12 @150
WEB BAR	6-D12	10-D12

SLAB LIST SCALE 1:40

MARK	RS1	2S1	2S2
SECTION			
SECTION			

THE ARAB REPUBLIC OF EGYPT
 MINISTRY OF WATER RESOURCES AND IRRIGATION
 NORTH SINAI DEVELOPMENT ORGANIZATION

THE NORTH SINAI INTEGRATED RURAL DEVELOPMENT PROJECT (PHASE III)

CONVEYANCE SYSTEM OF EL SHEIKH GABER EL SABBAH CANAL
 BETWEEN KM 108.486 AND KM 118.560
 EL SALAAM No.7 (BIR EL ABD) PUMPING STATION

PUMP HOUSE
 RC MEMBER SCHEDULE (2/2)

JAPAN INTERNATIONAL COOPERATION AGENCY (JICA)
 SANYU CONSULTANTS INC, PACIFIC CONSULTANTS INTERNATIONAL

DESIGNED	
TRACED	
CHECKED	
APPROVED	
DRAWING NO.	PSB-225

BEAM SCHEDULE

MARK	MEMBER	REMARKS
SB1	H- 400x200x 8x13	STUD #16 Ø203
SB2	H- 396x199x 7x11	STUD #16 Ø203
ST2	H- 390x300x10x16	STUD #16 Ø200
ST3	BH-1000x400x16x32	STUD #16 Ø203

CRANE GIRDER

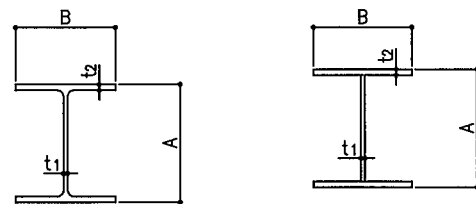
MARK	MEMBER	REMARKS
SCG1	Ⓐ -BH-1200x400x19x32	
	Ⓑ -H- 300x150x6.5x 9	
	Ⓒ -L-90x 90x 6	
SCG2	Ⓐ -BH-1200x400x19x32	
	Ⓑ -H- 300x150x6.5x 9	
	Ⓒ -L-90x 90x 6	
SCG2A	Ⓐ -BH-1200x400x19x32	
	Ⓑ -H- 300x150x6.5x 9	
	Ⓒ -L-90x 90x 6	

TRUSS

MARK	MEMBER	REMARKS
ST1	Ⓐ -H-300x305x15x15	STUD #16 Ø203
	Ⓑ -H-300x305x15x15	
	Ⓒ -H-244x252x11x11	
	Ⓓ -H-175x175x 7x11	

DIMENSIONS OF STEEL MEMBER

UNIVERSAL "H" SHAPES & BUILT-UP "H" SHAPES



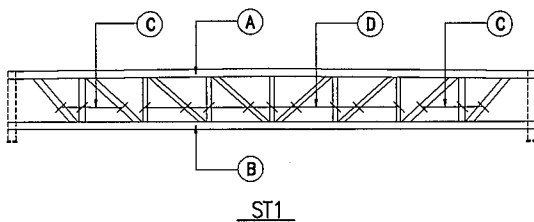
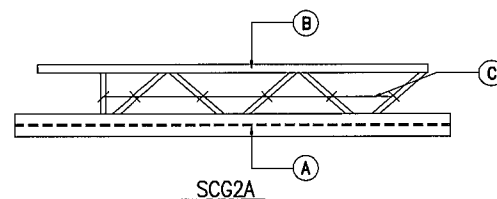
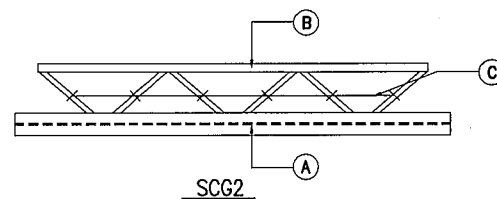
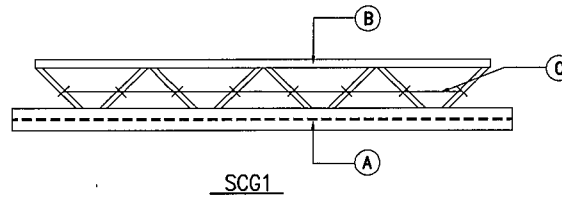
MEMBER	STANDARD SECTIONAL DIMENSION (mm)				UNIT WEIGHT (kg/m)
	A	B	t1	t2	
H- 175x175x 7x11	175	175	7.5	11	40.2
H- 244x252x11x11	244	252	11	11	64.4
H- 300x305x15x15	300	305	15	18	106.0
H- 396x199x 7x11	396	199	7	11	56.6
H- 390x300x10x16	390	300	10	16	107.0
H- 400x200x 8x13	400	200	8	13	66.0
BH-1000x400x16x32	1000	400	16	32	316.0
BH-1200x400x19x32	1200	400	19	32	370.0

COLUMN

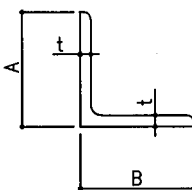
MARK	MEMBER	REMARKS
SC1	H-300x305x15x15	

STRUT

MARK	MEMBER	REMARKS
SV1	2L-75x 75x 6	



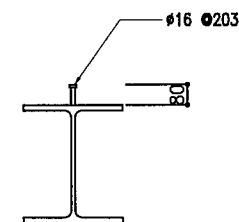
EQUAL / UNEQUAL ANGLES



MEMBER	A	B	t	UNIT WEIGHT (kg/m)
L-90x90x 6	90	90	6	8.28
L-75x75x 6	75	75	6	6.85

L : SINGLE ANGLE
2L : DOUBEL ANGLE

STUD CONNECTOR



NOTES:

1. MATERIALS

STEEL

UNLESS OTHERWISE SPECIFIED, STRUCTURAL STEEL SHALL CONFORM TO JIS G3101 SS400, ASTM A36 OR EQUIVALENT.

CONNECTION BOLT

CONNECTION BOLT FOR PRIMARY MEMBERS SHALL BE HIGH STRENGTH BOLT CONFORMING TO JIS B1186 F10T, ASTM A325F OR EQUIVALENT.

CONNECTION BOLT FOR SECONDARY MEMBERS SHALL BE ORDINARY BOLT CONFORMING TO JIS G3101 SS400, ASTM A36 OR EQUIVALENT.

ANCHOR BOLT SHALL CONFORM TO JIS G3101 SS400, ASTM A36 OR EQUIVALENT.

NUT : JIS B1181
WASHER : JIS B1256

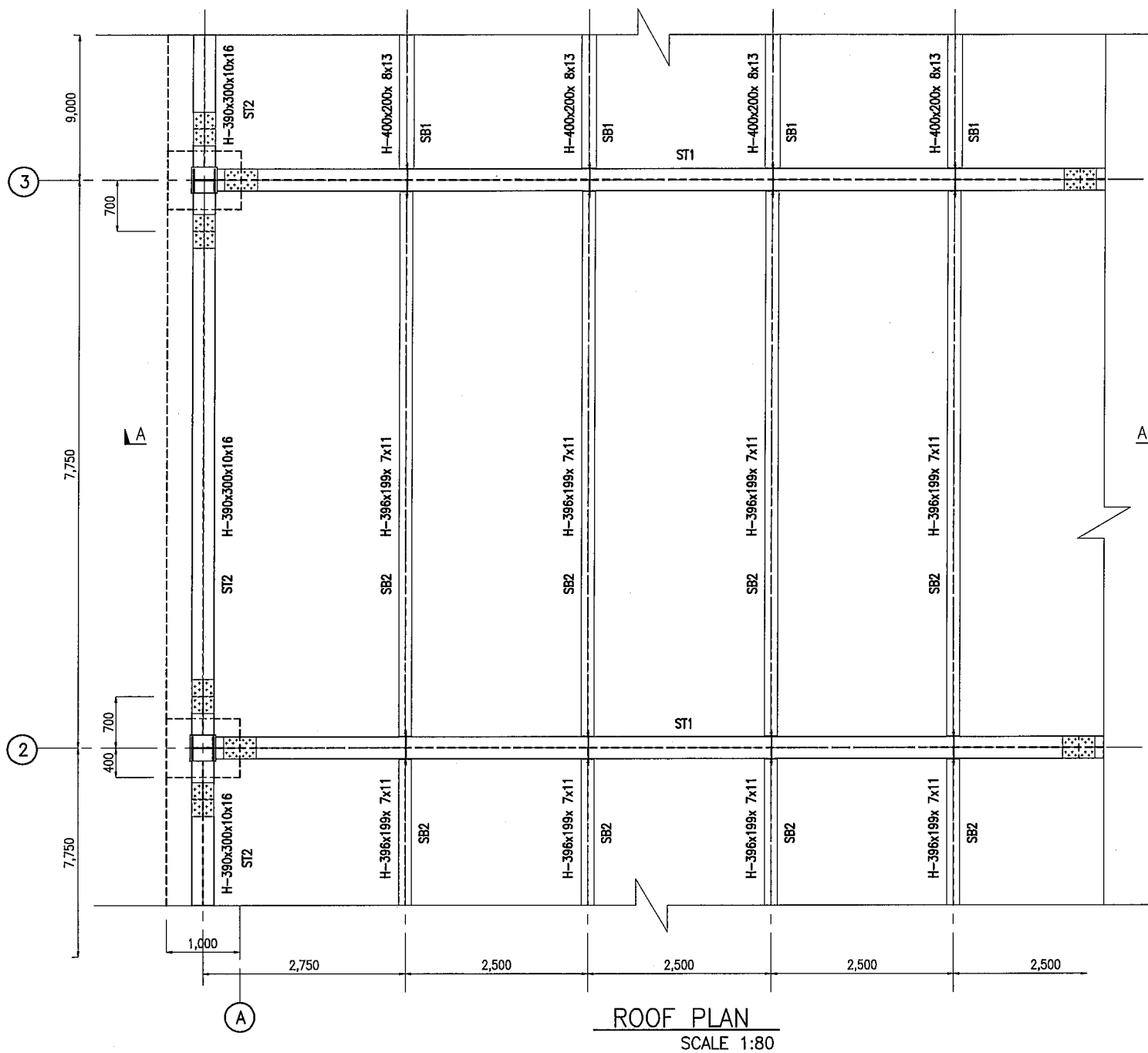
THE ARAB REPUBLIC OF EGYPT
MINISTRY OF WATER RESOURCES AND IRRIGATION
NORTH SINAI DEVELOPMENT ORGANIZATION
THE NORTH SINAI INTEGRATED RURAL
DEVELOPMENT PROJECT (PHASE III)

CONVEYANCE SYSTEM OF EL SHEIKH GABER EL SABBABH CANAL
BETWEEN KM 108.466 AND KM 118.560
EL SALAAM No.7 (BIR EL ABD) PUMPING STATION

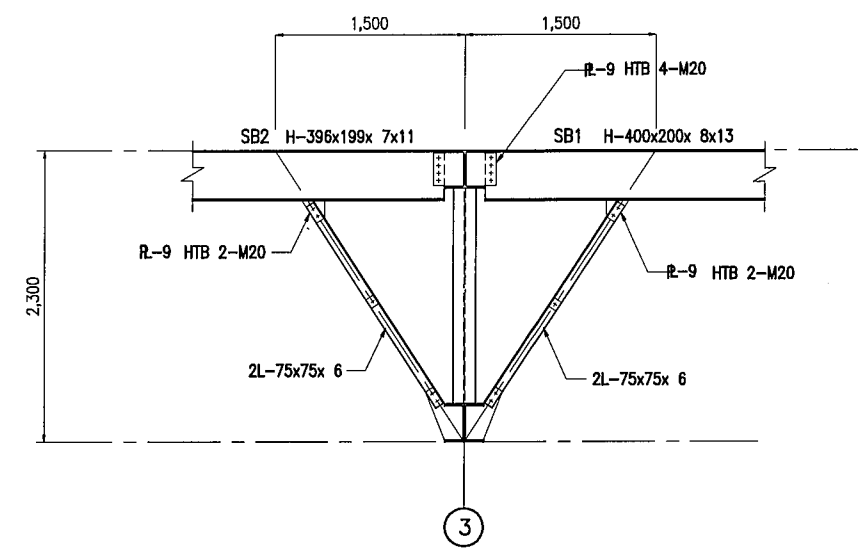
PUMP HOUSE
STRUCTURAL STEEL MEMBER SCHEDULE

JAPAN INTERNATIONAL COOPERATION AGENCY (JICA)
SANYU CONSULTANTS INC, PACIFIC CONSULTANTS INTERNATIONAL

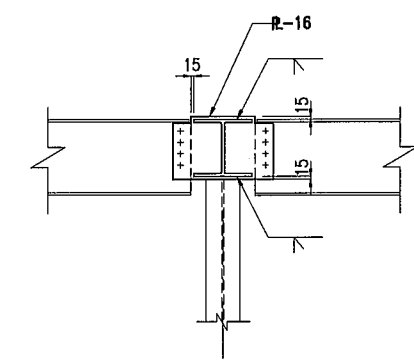
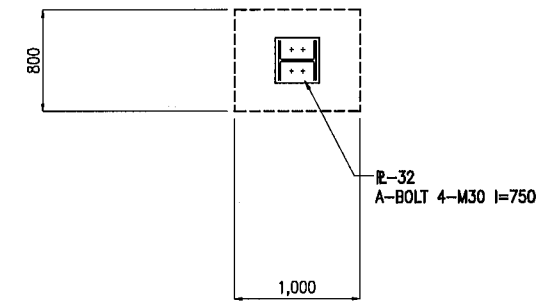
DESIGNED	
TRACED	
CHECKED	
APPROVED	
DRAWING NO.	PSB-226



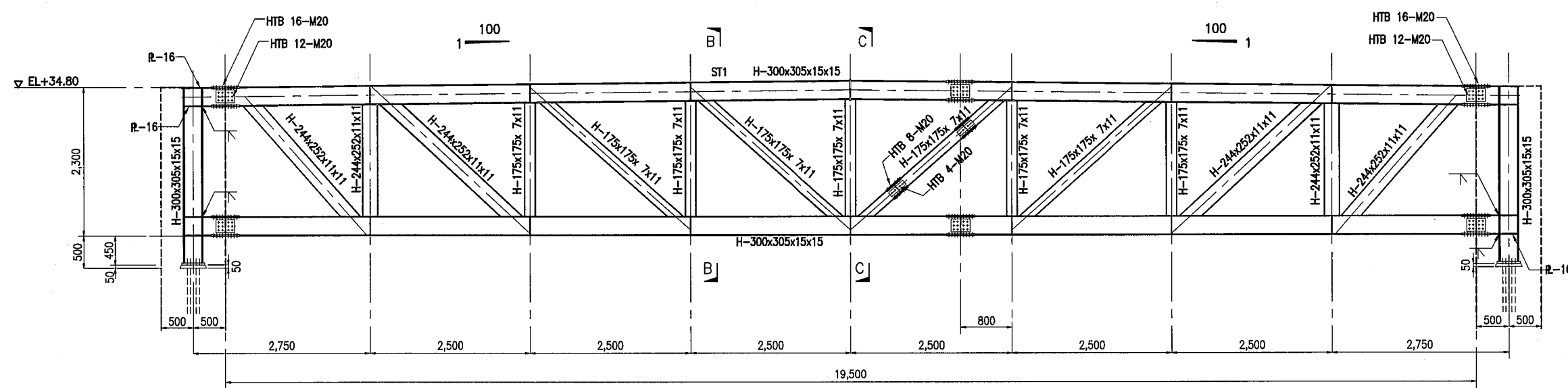
ROOF PLAN
SCALE 1:80



B-B SECTION
SCALE 1:60

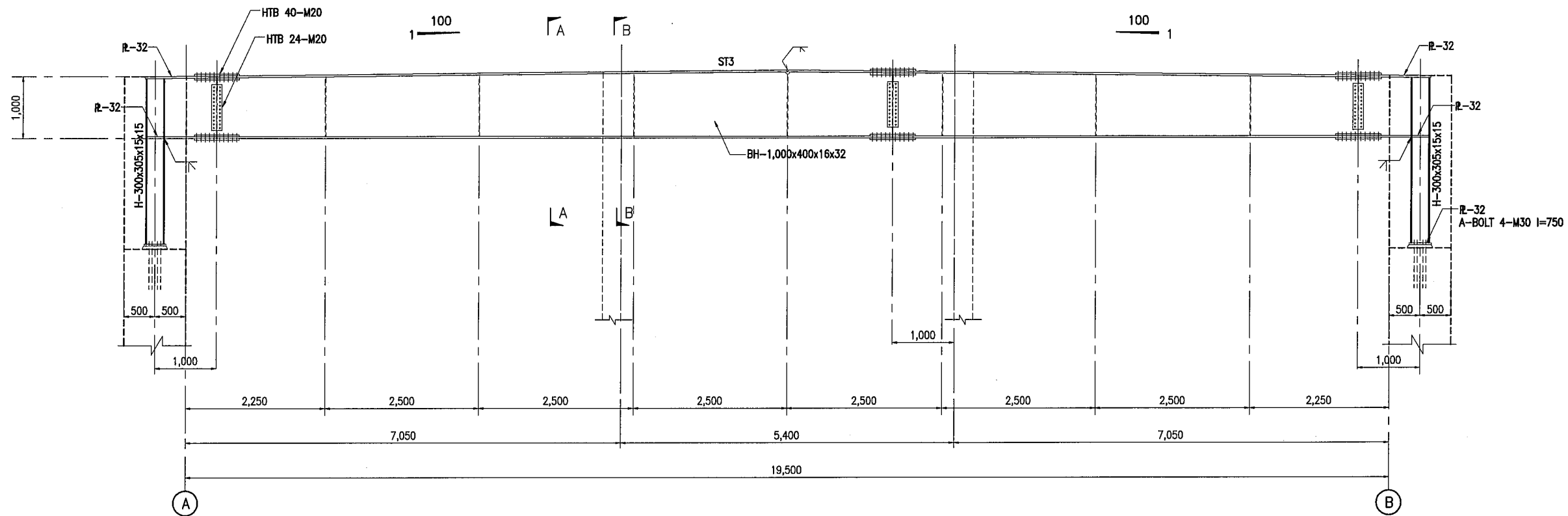


C-C SECTION
SCALE 1:40

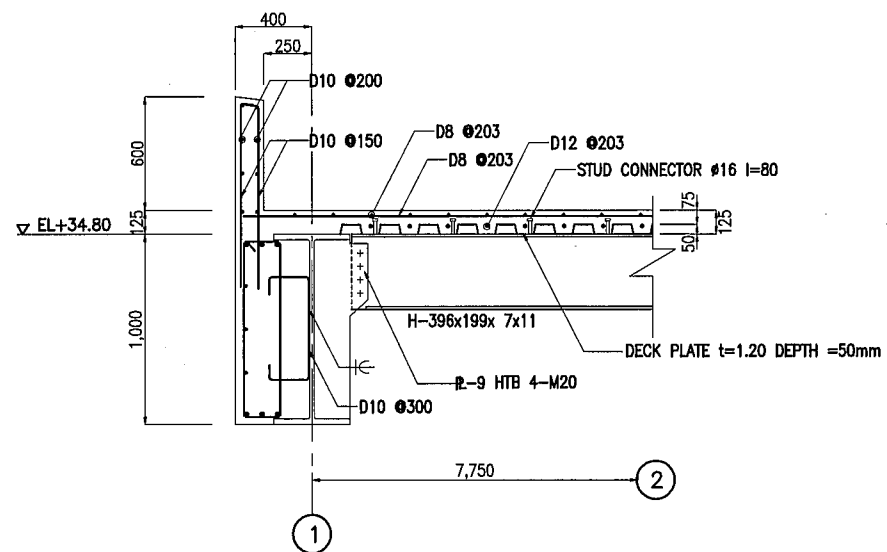


A-A SECTION
SCALE 1:80

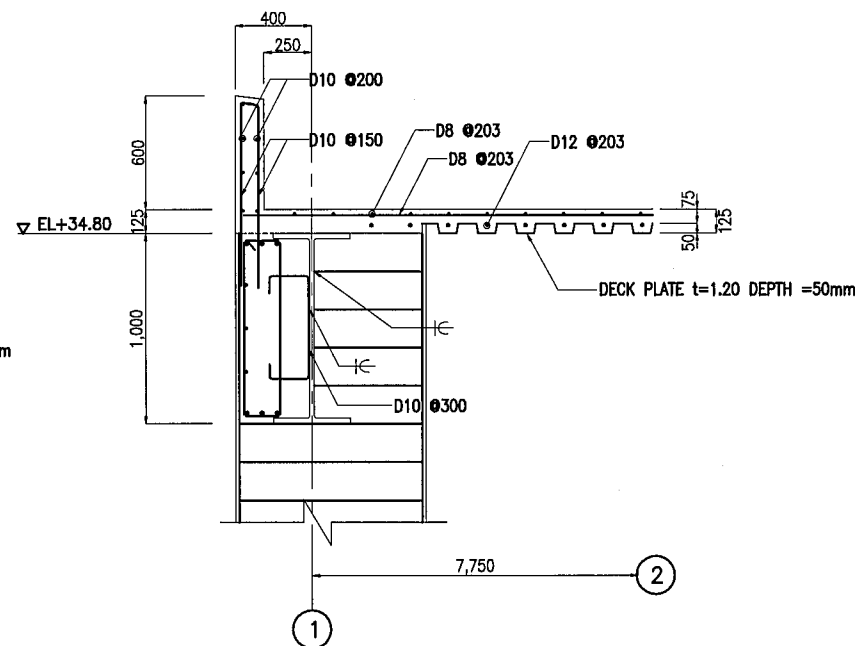
THE ARAB REPUBLIC OF EGYPT MINISTRY OF WATER RESOURCES AND IRRIGATION NORTH SINAI DEVELOPMENT ORGANIZATION THE NORTH SINAI INTEGRATED RURAL DEVELOPMENT PROJECT (PHASE III)	
CONVEYANCE SYSTEM OF EL SHEIKH GABER EL SABBAH CANAL BETWEEN KM 108.466 AND KM 118.560 EL SALAAM No. 7 (BIR EL ABD) PUMPING STATION PUMP HOUSE STRUCTURAL STEEL DETAILS (1/3)	
JAPAN INTERNATIONAL COOPERATION AGENCY (JICA) SANYU CONSULTANTS INC, PACIFIC CONSULTANTS INTERNATIONAL	
DESIGNED	
TRACED	
CHECKED	
APPROVED	
DRAWING NO.	PSB-227



FRAMING LINE 1
SCALE 1:80

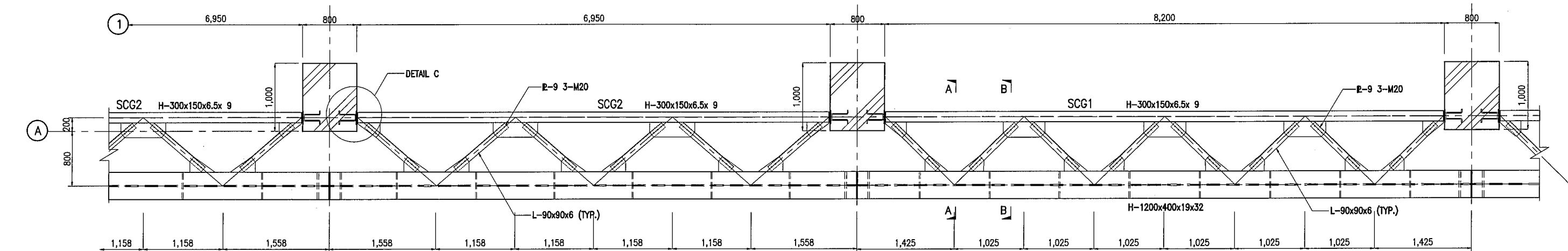


A-A SECTION
SCALE 1:40

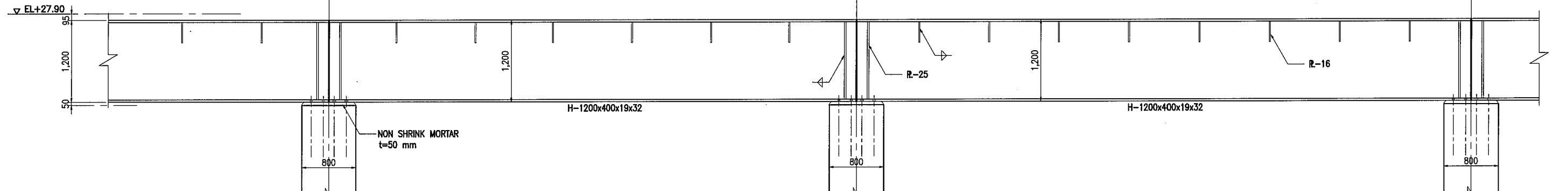


B-B SECTION
SCALE 1:40

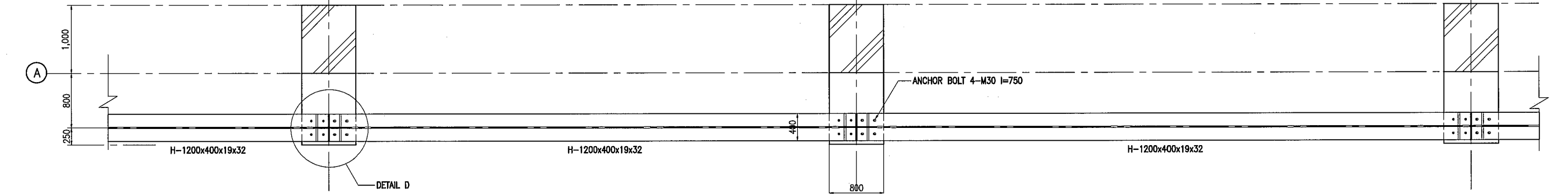
THE ARAB REPUBLIC OF EGYPT MINISTRY OF WATER RESOURCES AND IRRIGATION NORTH SINAI DEVELOPMENT ORGANIZATION THE NORTH SINAI INTEGRATED RURAL DEVELOPMENT PROJECT (PHASE III)	
CONVEYANCE SYSTEM OF EL SHEIKH GABER EL SABBABH CANAL BETWEEN KM 108.466 AND KM 118.560 EL SALAAM No. 7 (BIR EL ABD) PUMPING STATION PUMP HOUSE STRUCTURAL STEEL DETAILS (2/3)	
JAPAN INTERNATIONAL COOPERATION AGENCY (JICA) SANYU CONSULTANTS INC, PACIFIC CONSULTANTS INTERNATIONAL	
DESIGNED	
TRACED	
CHECKED	
APPROVED	
DRAWING NO.	PSB-228



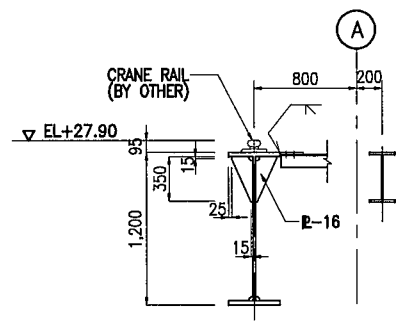
TOP PLAN
SCALE 1:60



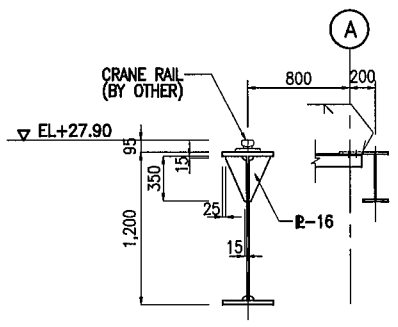
ELEVATION
SCALE 1:60



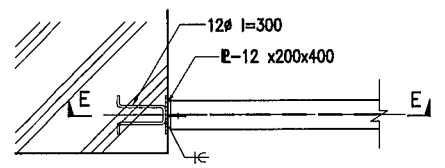
BOTTOM PLAN
SCALE 1:60



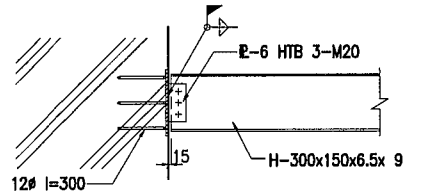
A-A SECTION
SCALE 1:60



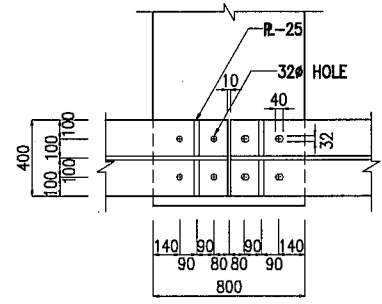
B-B SECTION
SCALE 1:60



DETAIL C
SCALE 1:40



E-E SECTION
SCALE 1:40

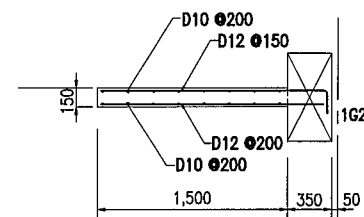
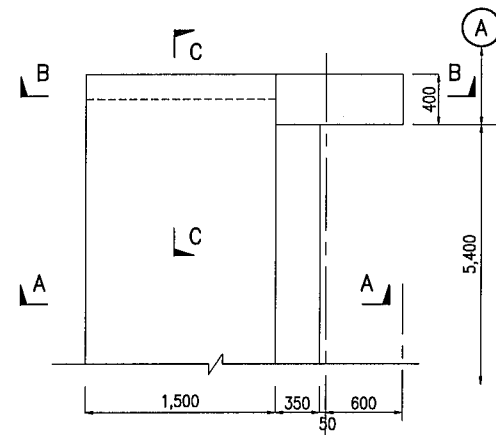


DETAIL D
SCALE 1:40

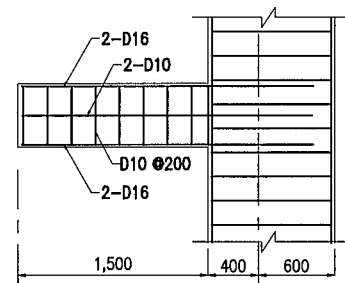
THE ARAB REPUBLIC OF EGYPT MINISTRY OF WATER RESOURCES AND IRRIGATION NORTH SINAI DEVELOPMENT ORGANIZATION THE NORTH SINAI INTEGRATED RURAL DEVELOPMENT PROJECT (PHASE III) CONVEYANCE SYSTEM OF EL SHEIKH GABER EL SABBABH CANAL BETWEEN KM 108.466 AND KM 118.560 EL SALAAM No. 7 (BIR EL ABD) PUMPING STATION PUMP HOUSE STRUCTURAL STEEL DETAILS (3/3)	
JAPAN INTERNATIONAL COOPERATION AGENCY (JICA) SANYU CONSULTANTS INC, PACIFIC CONSULTANTS INTERNATIONAL	
DESIGNED	
TRACED	
CHECKED	
APPROVED	
DRAWING NO.	PSB-229

REINFORCEMENT FOR DOOR CANOPY

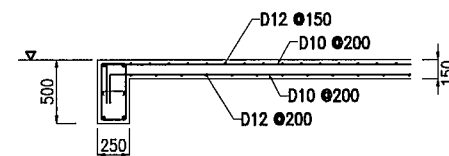
SCALE 1:60



A-A SECTION



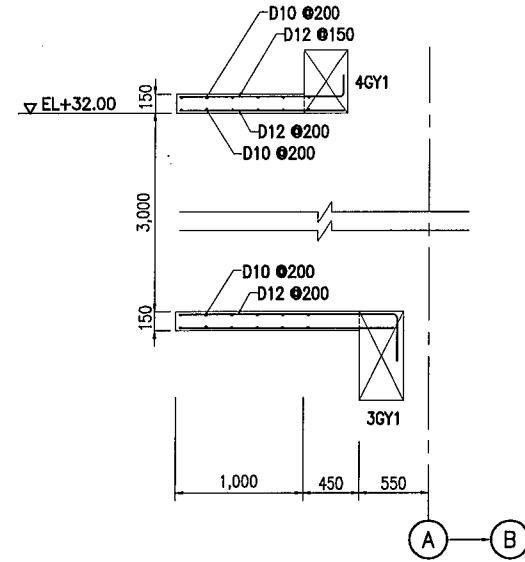
B-B SECTION



C-C SECTION

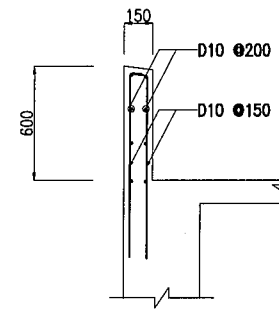
REINFORCEMENT FOR BAY WINDOW

SCALE 1:60



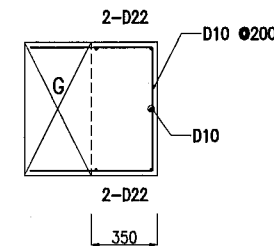
PARAPET

SCALE 1:40



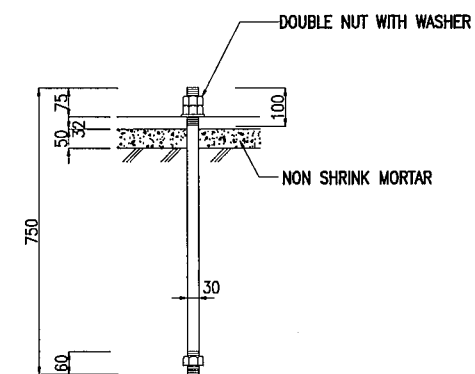
LINTEL FOR BRICK WALL

SCALE 1:40



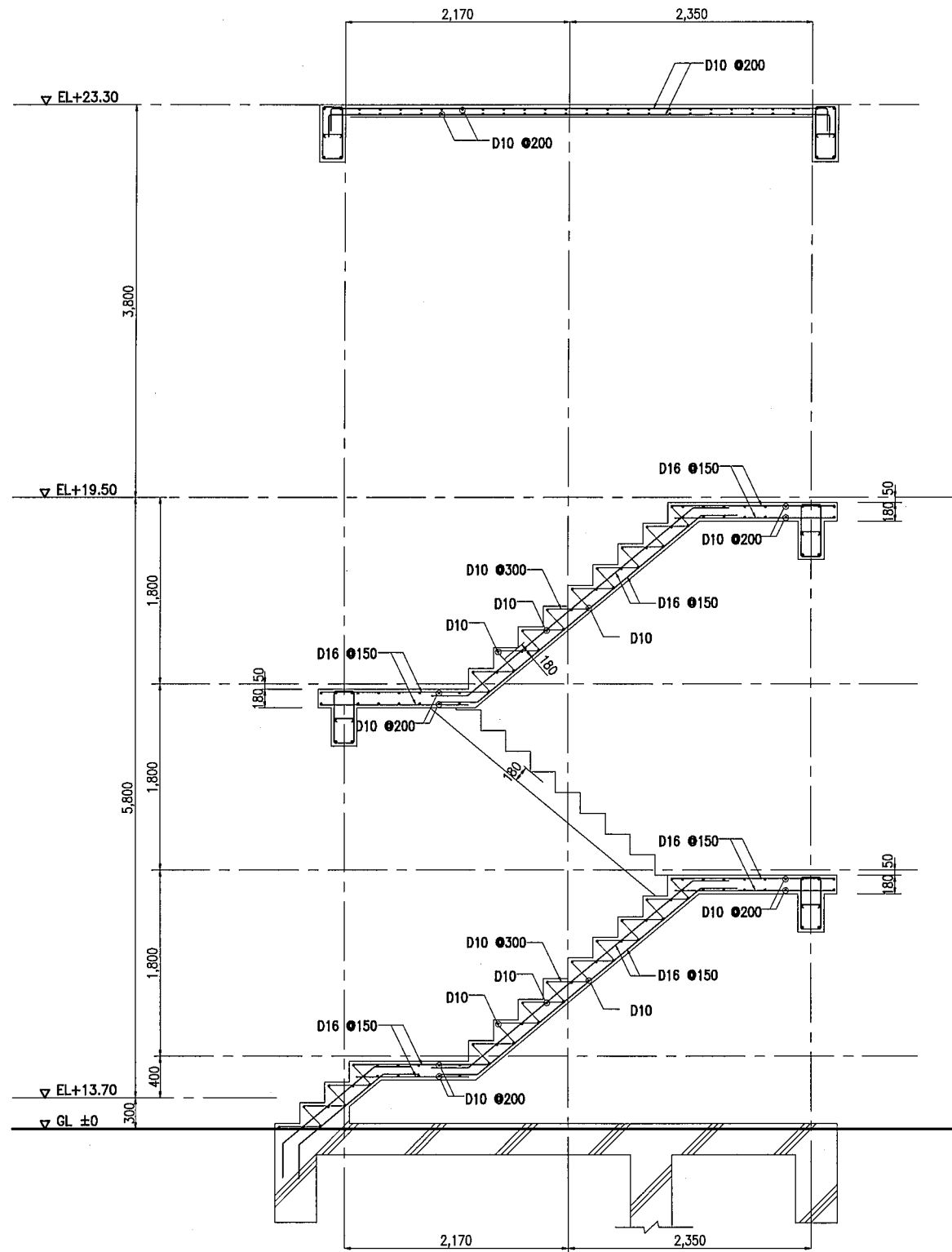
ANCHOR BOLTS

SCALE 1:20

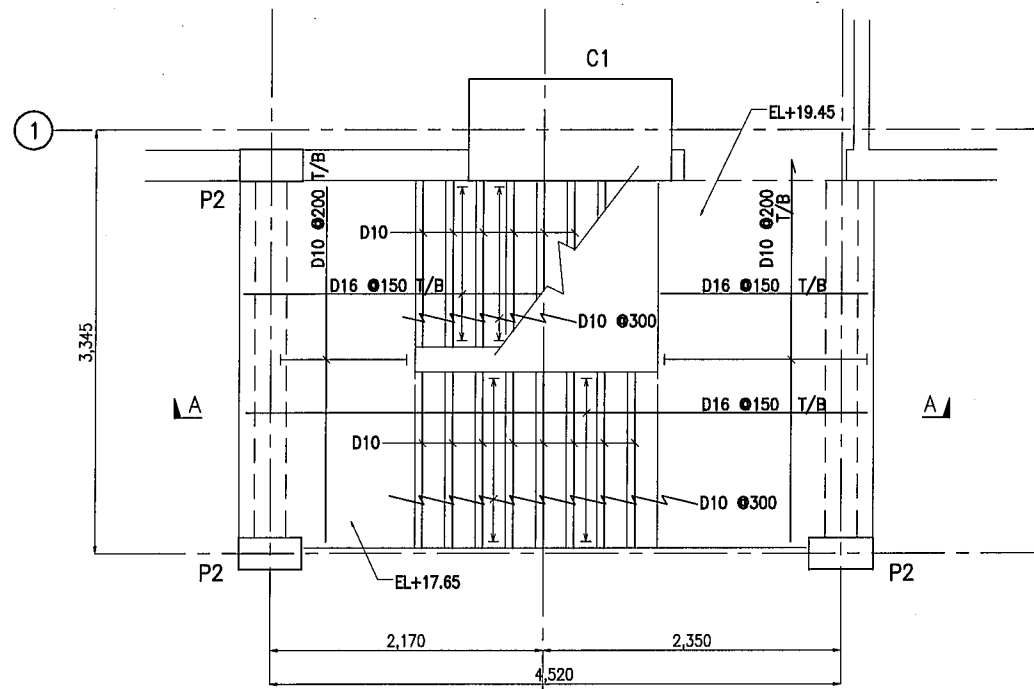


M30

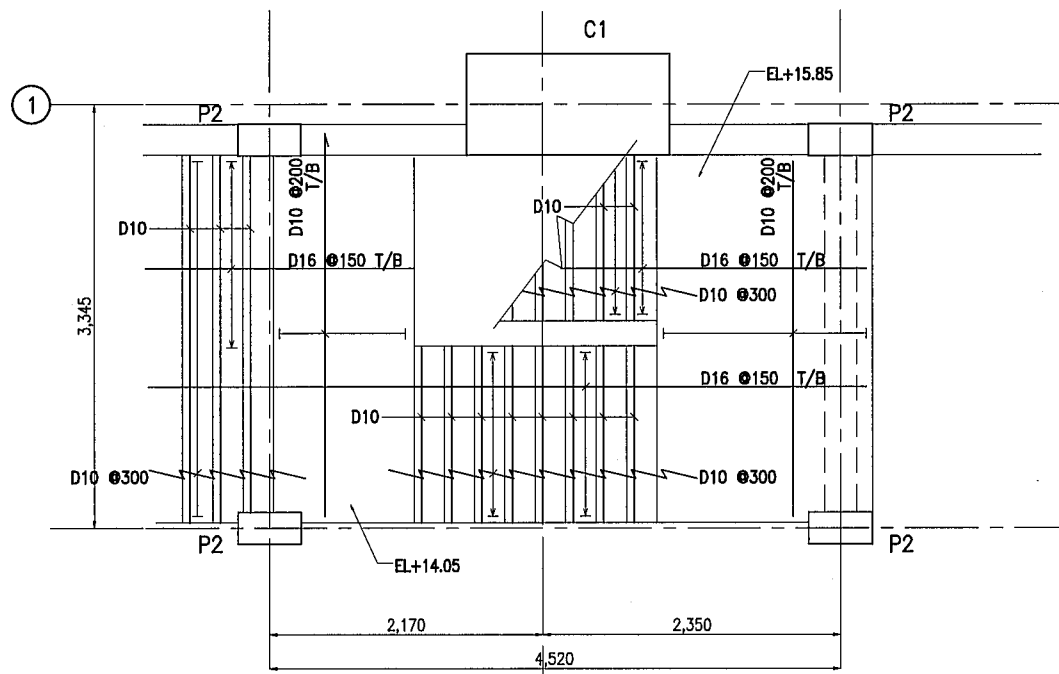
THE ARAB REPUBLIC OF EGYPT MINISTRY OF WATER RESOURCES AND IRRIGATION NORTH SINAI DEVELOPMENT ORGANIZATION THE NORTH SINAI INTEGRATED RURAL DEVELOPMENT PROJECT (PHASE III)	
CONVEYANCE SYSTEM OF EL SHEIKH GABER EL SABBABH CANAL BETWEEN KM 108.466 AND KM 118.560 EL SALAAM No. 7 (BIR EL ABD) PUMPING STATION PUMP HOUSE RC STRUCTURAL DETAILS (1/3)	
JAPAN INTERNATIONAL COOPERATION AGENCY (JICA) SANYU CONSULTANTS INC, PACIFIC CONSULTANTS INTERNATIONAL	
DESIGNED	
TRACED	
CHECKED	
APPROVED	
DRAWING NO.	PSB-230



A-A SECTION
SCALE 1:60



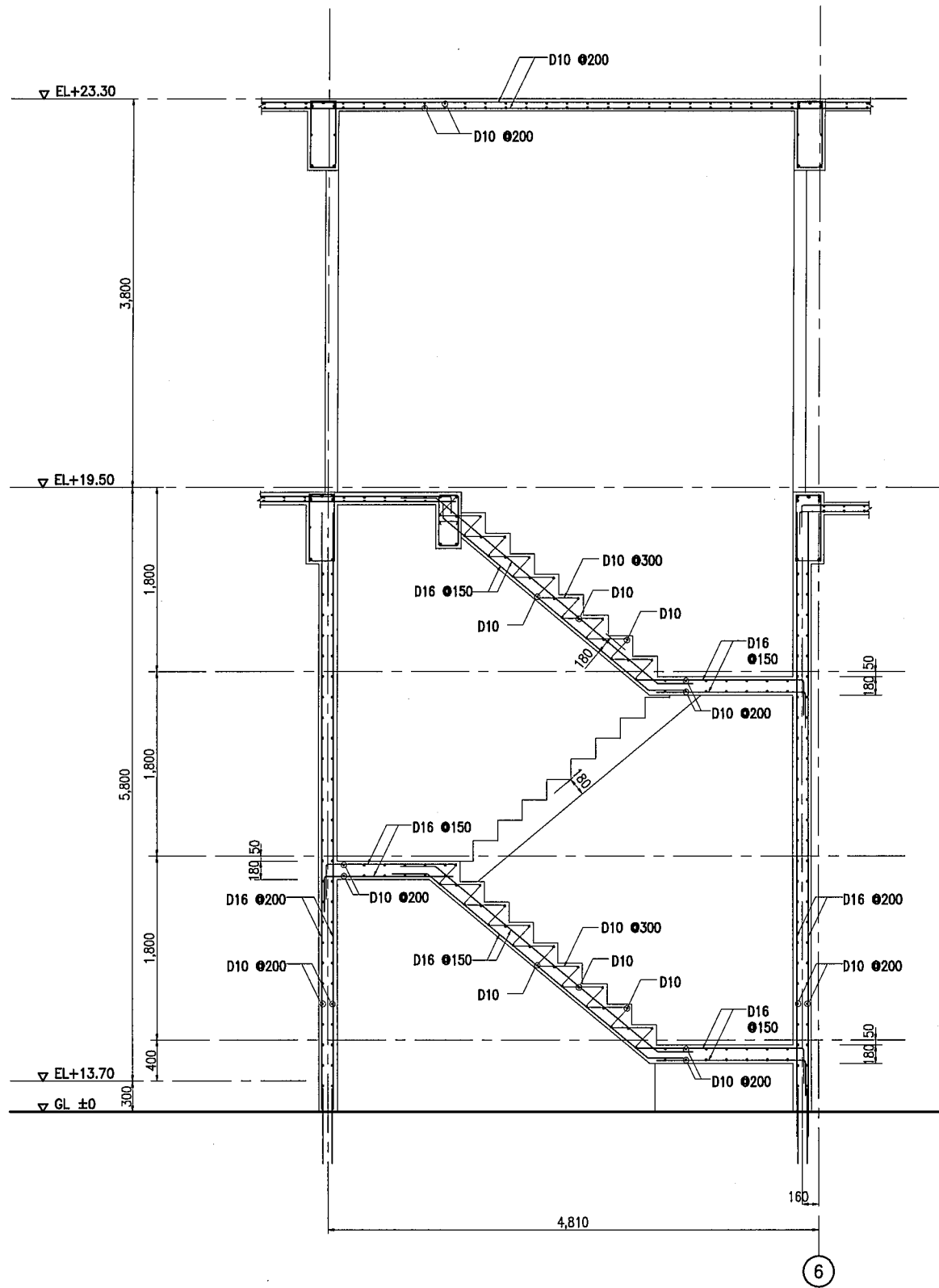
PLAN
SCALE 1:60



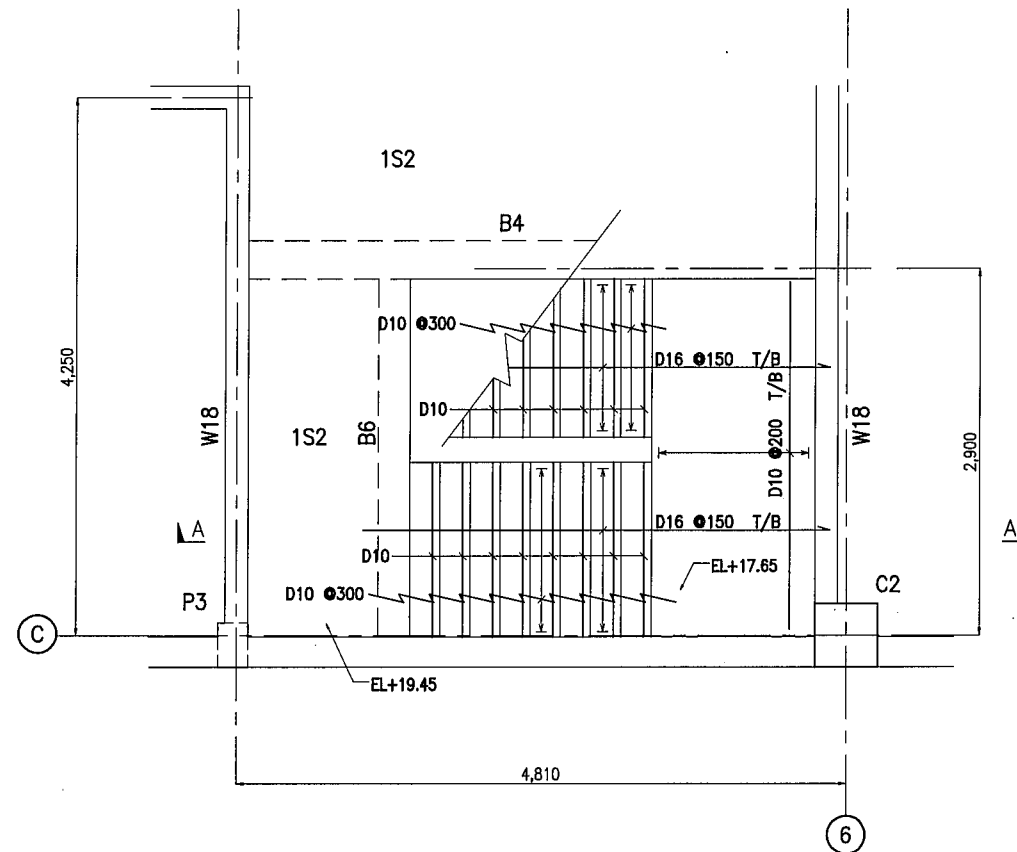
PLAN
SCALE 1:60

STAIR 1

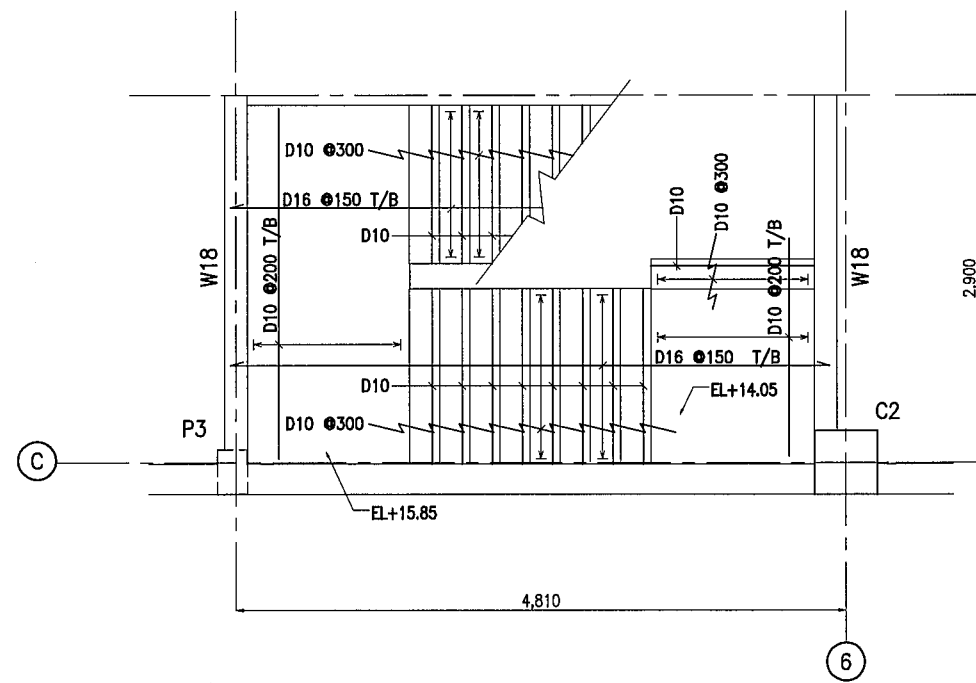
THE ARAB REPUBLIC OF EGYPT MINISTRY OF WATER RESOURCES AND IRRIGATION NORTH SINAI DEVELOPMENT ORGANIZATION THE NORTH SINAI INTEGRATED RURAL DEVELOPMENT PROJECT (PHASE III)	
CONVEYANCE SYSTEM OF EL SHEIKH GABER EL SABBAH CANAL BETWEEN KM 108.466 AND KM 118.560 EL SALAAM No. 7 (BIR EL ABD) PUMPING STATION PUMP HOUSE RC STRUCTURAL DETAILS (2/3)	
JAPAN INTERNATIONAL COOPERATION AGENCY (JICA) SANYU CONSULTANTS INC, PACIFIC CONSULTANTS INTERNATIONAL	
DESIGNED	
TRACED	
CHECKED	
APPROVED	
DRAWING NO.	PSB-231



A-A SECTION
SCALE 1:60



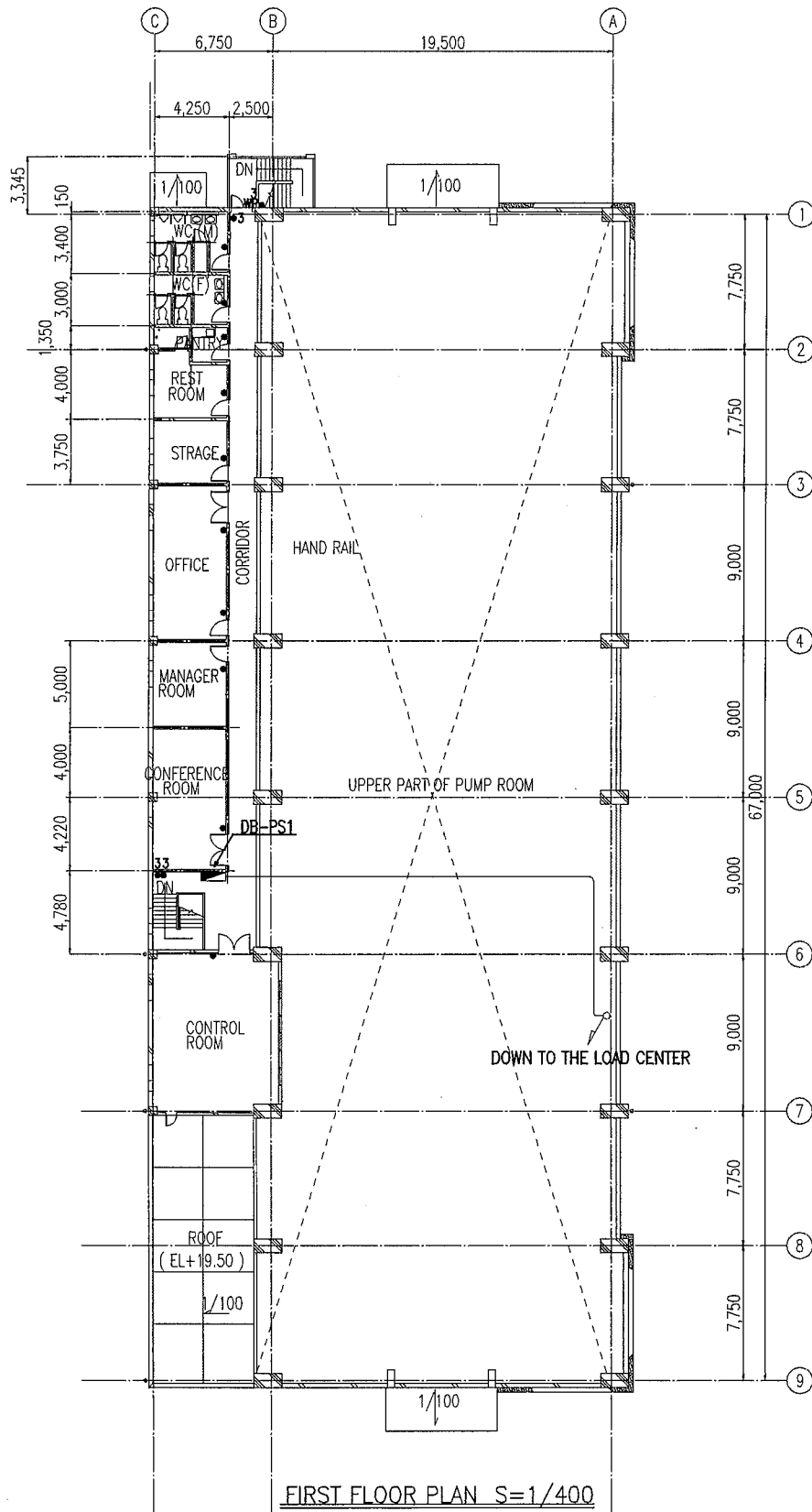
PLAN



PLAN
SCALE 1:60

STAIR 2

THE ARAB REPUBLIC OF EGYPT MINISTRY OF WATER RESOURCES AND IRRIGATION NORTH SINAI DEVELOPMENT ORGANIZATION THE NORTH SINAI INTEGRATED RURAL DEVELOPMENT PROJECT (PHASE III)	
CONVEYANCE SYSTEM OF EL SHEIKH GABER EL SABBAB CANAL BETWEEN KM 108.466 AND KM 118.560 EL SALAAM No. 7 (BIR EL ABD) PUMPING STATION PUMP HOUSE RC STRUCTURAL DETAILS (3/3)	
JAPAN INTERNATIONAL COOPERATION AGENCY (JICA) SANYU CONSULTANTS INC, PACIFIC CONSULTANTS INTERNATIONAL	
DESIGNED	
TRACED	
CHECKED	
APPROVED	
DRAWING NO.	PSB-232

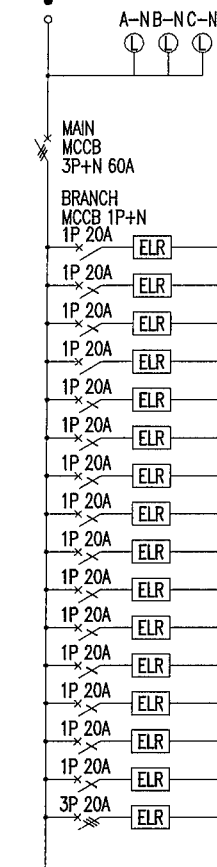


FIRST FLOOR PLAN S=1/400

LEGEND

SYMBOL	DESCRIPTION
	DISTRIBUTION BOARD (WALL SURFACE MOUNT)
	REMOTE CONTROL SWITCH (LIGHTING)
	1-WAY LIGHTING SWITCH
	3-WAY LIGHTING SWITCH
	WATER PROOFING
	LIGHTING MAIN LINE (EXPOSED WIRING)
	LIGHTING MAIN LINE (UNDER FLOOR WIRING)

3 PHASE
380/220V
A,B,C+N



DISTRIBUTION BOARD DB-PS1

NO.	CONNECTED CONSUMERS	LOAD(VA)
1	LIGHTS STRAGE, REST ROOM PANTRY, WC(M)&(F)	850
2	LIGHTS MANAGER ROOM OFFICE	900
3	LIGHTS CONTROL ROOM CONFERENCE ROOM	1,400
4	LIGHTS CORRIDOR, STAIRCASE OUTSIDE STAIRCASE	650
5	SPARE	
6	SPARE	
7	SOCKET OUTLETS STRAGE, REST ROOM PANTRY, WC(M)&(F)	1,000
8	SOCKET OUTLETS PANTRY	2,000
9	SOCKET OUTLETS MANAGER ROOM OFFICE	1,000
10	SOCKET OUTLETS CONTROL ROOM OFFICE	1,000
11	SOCKET OUTLETS CONTROL ROOM OFFICE	1,000
12	SPARE	
13	SPARE	
31	SOCKET OUTLETS CONTROL ROOM	2,000
32	SPARE	
51	SOCKET OUTLETS CONTROL ROOM	3,000
	TOTAL	14,800

DC 100V

NO VOLT RELAY (CONTROLS ALL CONTACTORS)

EMERGENCY LIGHT CONTROL PANEL : ELC

NO.	CONNECTED CONSUMERS	LOAD(VA)
1	EMERGENCY LIGHTS 1st FLOOR	1,400
2	EMERGENCY LIGHTS GROUND FLOOR	1,400
3	EMERGENCY LIGHTS GROUND FLOOR	1,400
4	EMERGENCY LIGHTS BASEMENT 1st FLOOR	1,400
5	EMERGENCY LIGHTS BASEMENT 1st FLOOR	1,400
6	EMERGENCY LIGHTS BASEMENT 1st FLOOR	1,400
7	EMERGENCY LIGHTS BASEMENT 1st FLOOR	1,200
8	EMERGENCY LIGHTS BASEMENT 2nd FLOOR	1,400
9	EMERGENCY LIGHTS BASEMENT 2nd FLOOR	1,400
10	EMERGENCY LIGHTS BASEMENT 2nd FLOOR	1,400
11	EMERGENCY LIGHTS BASEMENT 3rd FLOOR	1,700
12	EMERGENCY LIGHTS BASEMENT 3rd FLOOR	1,700
13	SPARE	
14	SPARE	
15	SPARE	
	TOTAL	17,200

FOR ALL BRANCH LINE: 600V XLPE 2C-10mm² IN 30mm CONDUIT

LIGHTING FIXTURE SCHEDULE

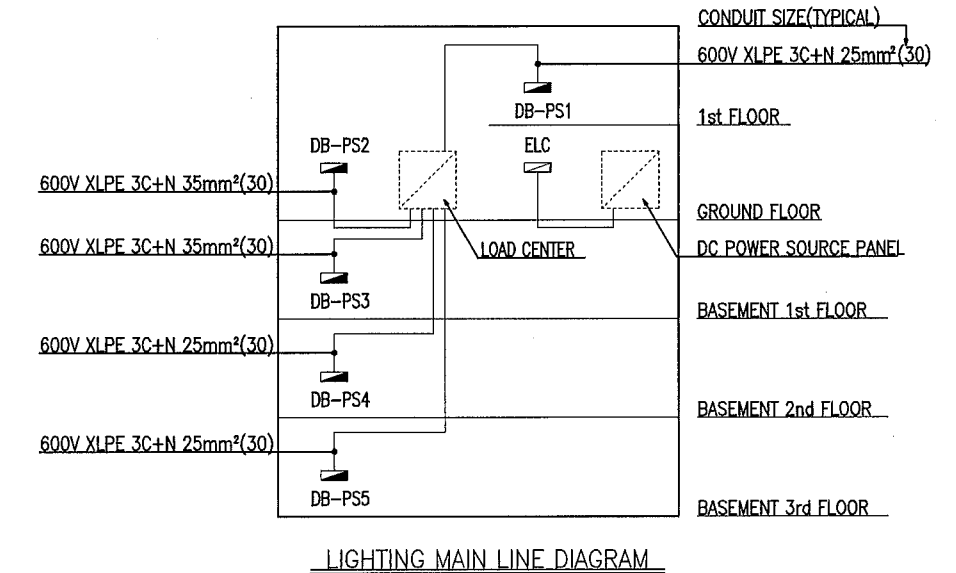
DESCRIPTION	TYPE	LAMPS
CEILING SURFACE MOUNTED TYPE WITH METALLIC LOW BRIGHTNESS LOWER(IP51)	A-FL322	FL32WX2
	A-FL323	FL32WX3
CEILING SURFACE MOUNTED OPEN TYPE (IP51)	B-FL321	FL32WX1
	B-FL322	FL32WX2
PIPE PENDANT TYPE WITH METALLIC REFLECTOR(IP51)	C-FL321	FL32WX1
	C-FL322	FL32WX2
HIGH CEILING MOUNTED TYPE WITH METALLIC REFLECTOR(IP51)	D-HPS400	HPS400WX1
FLOOD LIGHT FIXTURE(IP65)	E-HPS400	HPS400WX1
POLE TOP MOUNTED TYPE AREA LIGHTING FIXTURE(IP65)	F-SON125	SON125WX1
WALL MOUNTED TYPE WITH PLASTIC COVER(IP65)	G-FL321	FL32WX1
CEILING/WALL MOUNTED TYPE(IP51)	H-IL100	IL100WX11

NOTE:

- IL : INCANDESCENT LAMP
- FL : FLUORESCENT LAMP
- HPS : HIGH-PRESSURE SODIUM LAMP
- SON : SODIUM LAMP

INSTALLATION SCHEDULE

ROOM/AREA	LIGHTING		SOCKET OUTLET		
	GENERAL TYPE-NUMBERS	EMERGENCY TYPE-NUMBERS	1P+E 15A 220V	2P+E 30A 220V	3P+E 20A 380V
OFFICE	A-FL322	6 H-IL100	2	10	
MANAGER ROOM	A-FL323	2 H-IL100	1	4	
CONFERENCE ROOM	A-FL322	6 H-IL100	2	4	
REST ROOM	A-FL323	2 H-IL100	1	2	
CONTROL ROOM	A-FL322	8 H-IL100	4	8	1
CORRIDOR	B-FL321	10 H-IL100	3	2	
STAIRCASE	B-FL321	2 H-IL100	1		
TOILET(M)	B-FL322	2 H-IL100		1	
TOILET(F)	B-FL322	2 H-IL100		1	
PANTRY	B-FL321	1 H-IL100		3	
OUTSIDE STAIRCASE	G-FL321	1 H-IL100			



LIGHTING MAIN LINE DIAGRAM

THE ARAB REPUBLIC OF EGYPT
MINISTRY OF WATER RESOURCES AND IRRIGATION
NORTH SINAI DEVELOPMENT ORGANIZATION

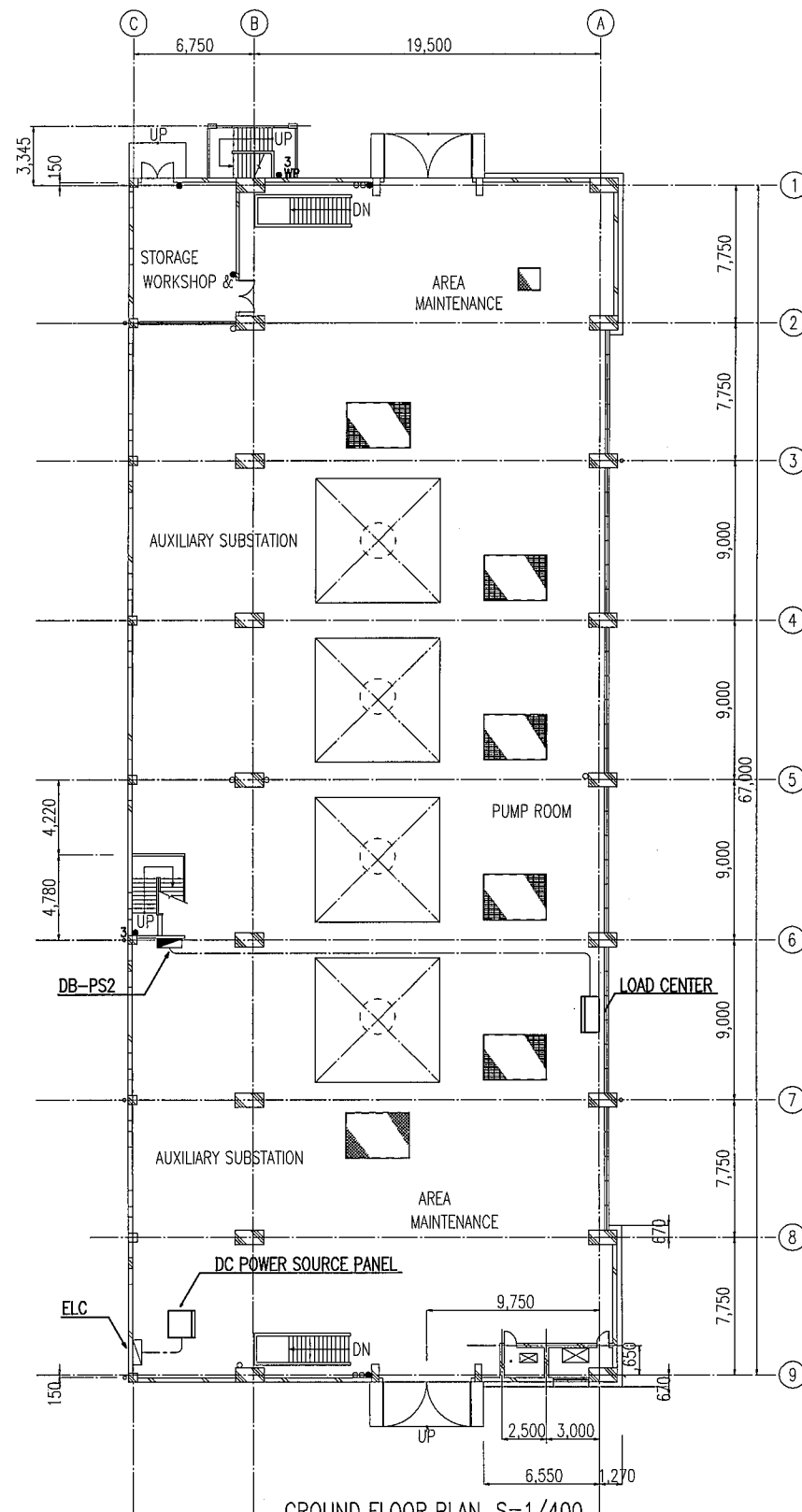
THE NORTH SINAI INTEGRATED RURAL DEVELOPMENT PROJECT (PHASE III)

CONVEYANCE SYSTEM OF EL SHEIKH GABER EL SABBAH CANAL
BETWEEN KM 108.466 AND KM 118.560
EL SALAAM No. 7 (BIR EL ABD) PUMPING STATION
PUMP HOUSE

LIGHTING AND SOCKET OUTLET INSTALLATION SCHEDULE(1/5) 1st FLOOR

JAPAN INTERNATIONAL COOPERATION AGENCY (JICA)
SANYU CONSULTANTS INC, PACIFIC CONSULTANTS INTERNATIONAL

DESIGNED	
TRACED	
CHECKED	
APPROVED	
DRAWING NO.	PSB-233

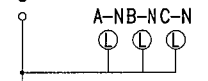


GROUND FLOOR PLAN S=1/400

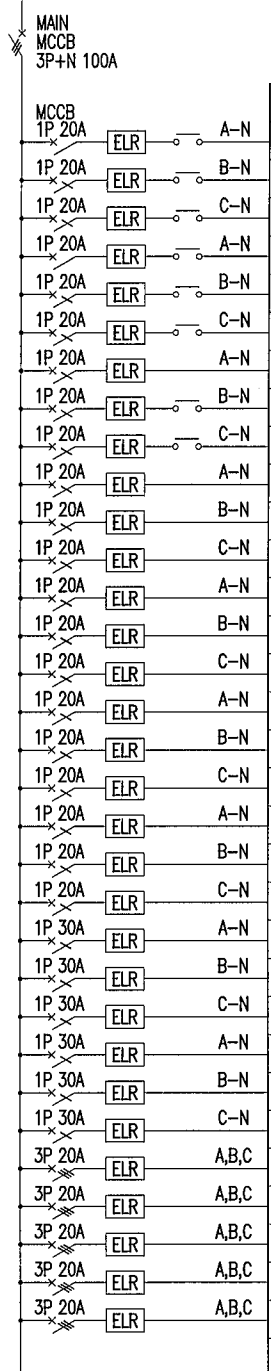
LEGEND

SYMBOL	DESCRIPTION
	DISTRIBUTION BOARD (WALL SURFACE MOUNT)
	REMOTE CONTROL SWITCH (LIGHTING)
	1-WAY LIGHTING SWITCH
	3-WAY LIGHTING SWITCH
	WATER PROOFING
	LIGHTING MAIN LINE (EXPOSED WIRING)
	LIGHTING MAIN LINE (UNDER FLOOR WIRING)

3 PHASE
380/220V
A,B,C+N



DISTRIBUTION BOARD DB-PS2



NO.	CONNECTED CONSUMERS	LOAD(VA)
1	LIGHTS PUMP ROOM AND MAINTENANCE AREA	2,000
2	LIGHTS PUMP ROOM AND MAINTENANCE AREA	2,000
3	LIGHTS PUMP ROOM AND MAINTENANCE AREA	2,000
4	LIGHTS PUMP ROOM AND MAINTENANCE AREA	2,000
5	LIGHTS AUXILIARY SUBSTATION	2,300
6	LIGHTS AUXILIARY SUBSTATION	2,300
7	LIGHTS WORKSHOP STAIR-CASE OUTSIDE OF ENTRANCE	1,050
8	LIGHTS EXTERIOR OF PUMP STATION	2,000
9	LIGHTS GATE YARD	1,500
10	SOCKET OUTLETS GATE YARD	1,500
11	SOCKET OUTLETS PUMP ROOM AND MAINTENANCE AREA	1,000
12	SOCKET OUTLETS PUMP ROOM AND MAINTENANCE AREA	1,000
13	SOCKET OUTLETS PUMP ROOM AND MAINTENANCE AREA	1,000
14	SOCKET OUTLETS AUXILIARY SUBSTATION	1,000
15	SOCKET OUTLETS AUXILIARY SUBSTATION	1,000
16	SOCKET OUTLETS WORKSHOP	1,000
17	SPARE WORKSHOP	1,000
18	SPARE	
19	SPARE	
20	SPARE	
21	SPARE	
31	SPARE	
32	SOCKET OUTLETS PUMP ROOM AND MAINTENANCE AREA	4,000
33	SOCKET OUTLETS PUMP ROOM AND MAINTENANCE AREA	4,000
34	SOCKET OUTLETS AUXILIARY SUBSTATION	4,000
35	SOCKET OUTLETS WORKSHOP	4,000
36	SOCKET OUTLETS WORKSHOP	4,000
51	SOCKET OUTLETS PUMP ROOM AND MAINTENANCE AREA	5,000
52	SOCKET OUTLETS PUMP ROOM AND MAINTENANCE AREA	5,000
53	SOCKET OUTLETS AUXILIARY SUBSTATION	5,000
54	SOCKET OUTLETS WORKSHOP	5,000
55	SOCKET OUTLETS WORKSHOP	5,000
	TOTAL	70,650

LIGHTING FIXTURE SCHEDULE

DESCRIPTION	TYPE	LAMPS
CEILING SURFACE MOUNTED TYPE WITH METALLIC LOW BRIGHTNESS LOUVER(IP51)	A-FL322 A-FL323	FL32Wx2 FL32Wx3
CEILING SURFACE MOUNTED OPEN TYPE (IP51)	B-FL321 B-FL322	FL32Wx1 FL32Wx2
PIPE PENDANT TYPE WITH METALLIC REFLECTOR(IP51)	C-FL321 C-FL322	FL32Wx1 FL32Wx2
HIGH CEILING MOUNTED TYPE WITH METALLIC REFLECTOR(IP51)	D-HPS400	HPS400Wx1
FLOOD LIGHT FIXTURE(IP65)	E-HPS400	HPS400Wx1
POLE TOP MOUNTED TYPE AREA LIGHTING FIXTURE(IP65)	F-SON125	SON125Wx1
WALL MOUNTED TYPE WITH PLASTIC COVER(IP65)	G-FL321	FL32Wx1
CEILING/WALL MOUNTED TYPE(IP51)	H-IL100	IL100Wx11

NOTE:
IL : INCANDESCENT LAMP
FL : FLUORESCENT LAMP
HPS : HIGH-PRESSURE SODIUM LAMP
SON : SODIUM LAMP

INSTALLATION SCHEDULE

ROOM/AREA	LIGHTING		SOCKET OUTLET			
	GENERAL TYPE-NUMBERS	EMERGENCY TYPE-NUMBERS	1P+E 15A 220V	2P+E 30A 220V	3P+E 20A 380V	
PUMP ROOM & MAINTENANCE AREA	D-HPS400 B-FL321	16 12	H-IL100 12	18	2	2
AUXILIARY SUBSTATION	B-FL322	46	H-IL100 12	16	1	1
STAIRCASE	B-FL321	2	H-IL100 2			
WORKSHOP&STORAGE	B-FL322	8	H-IL100 2	10	2	2
ENTRANS EAVES (1)	G-FL321	1				
ENTRANS EAVES (2)	G-FL321	1				
ENTRANS EAVES (3)	G-FL321	1				
GATE YARD	E-HPS400	6				
EXTERIOR	F-SON125	10				

THE ARAB REPUBLIC OF EGYPT
MINISTRY OF WATER RESOURCES AND IRRIGATION
NORTH SINAI DEVELOPMENT ORGANIZATION

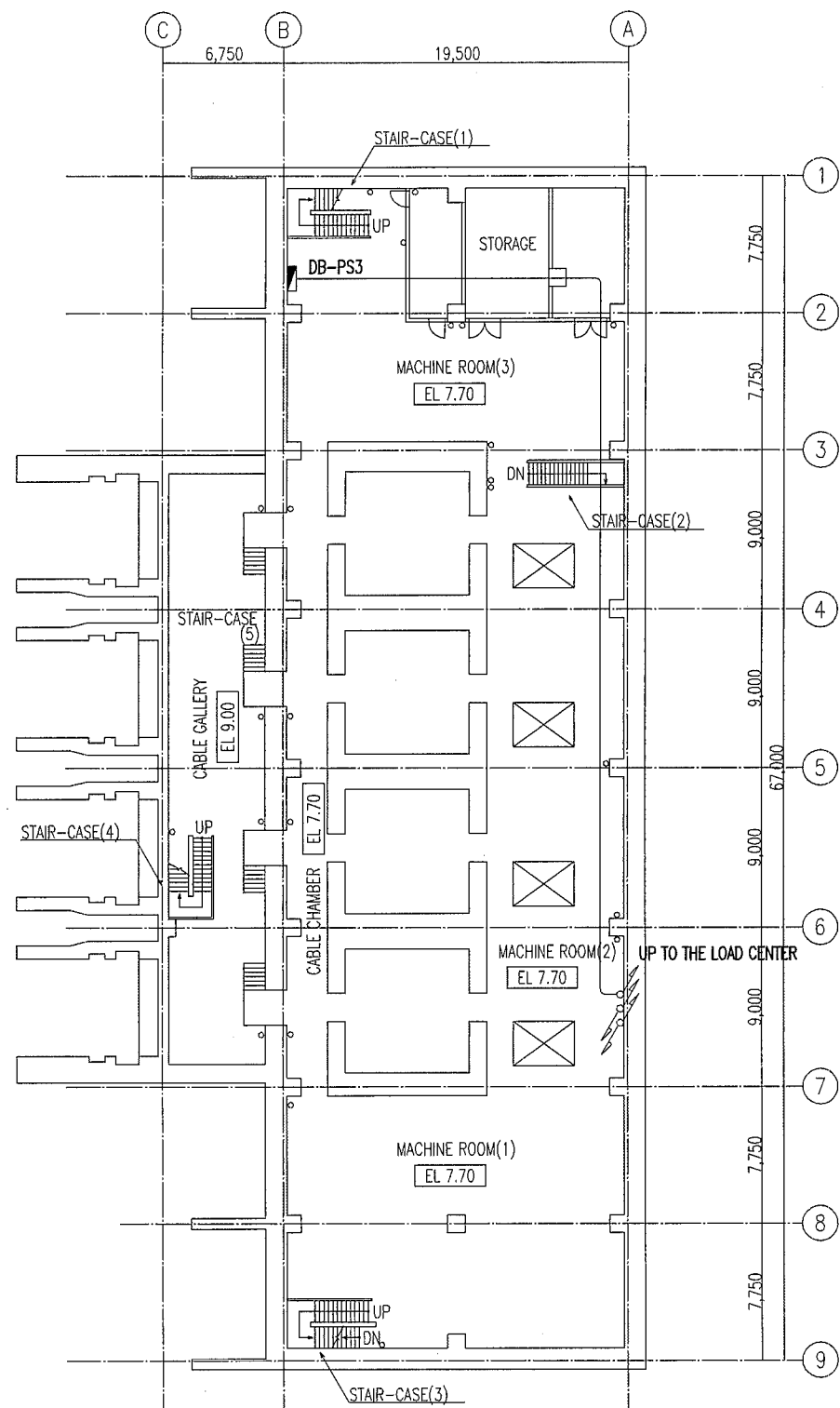
THE NORTH SINAI INTEGRATED RURAL DEVELOPMENT PROJECT (PHASE III)

CONVEYANCE SYSTEM OF EL SHEIKH GABER EL SABBAH CANAL
BETWEEN KM 108.466 AND KM 118.560
EL SALAAM No. 7 (BIR EL ABD) PUMPING STATION
PUMP HOUSE

LIGHTING AND SOCKET OUTLET INSTALLATION SCHEDULE(2/5) GROUND FLOOR

JAPAN INTERNATIONAL COOPERATION AGENCY (JICA)
SANYU CONSULTANTS INC, PACIFIC CONSULTANTS INTERNATIONAL

DESIGNED	
TRACED	
CHECKED	
APPROVED	
DRAWING NO.	PSB-234



PLAN OF BASEMENT 1st FLOOR S=1/400

LEGEND

SYMBOL	DESCRIPTION
□	DISTRIBUTION BOARD (WALL SURFACE MOUNT)
○	REMOTE CONTROL SWITCH (LIGHTING)
•	1-WAY LIGHTING SWITCH
⊕	3-WAY LIGHTING SWITCH
WP	WATER PROOFING
---	LIGHTING MAIN LINE (EXPOSED WIRING)
---	LIGHTING MAIN LINE (UNDER FLOOR WIRING)

3 PHASE
380/220V
A,B,C+N

A-NB-NC-N

DISTRIBUTION BOARD DB-PS3

MAIN MCCB
3P+N 100A

NO.	CONNECTED CONSUMERS	LOAD(VA)
1	LIGHTS CABLE GALLERY STAIRCASE (4)	700
2	LIGHTS CABLE CHAMBER	600
3	LIGHTS MACHINE ROOM (1)	800
4	LIGHTS MACHINE ROOM (1)	800
5	LIGHTS MACHINE ROOM (2)	1,000
6	LIGHTS MACHINE ROOM (2)	1,000
7	LIGHTS STORAGE	400
8	LIGHTS STAIRCASE (1) (B1FL~B3FL)	300
9	LIGHTS STAIRCASE (2) (B1FL~B3FL)	300
10	LIGHTS STAIRCASE (3) (B1FL~B3FL)	300
11	LIGHTS STAIRCASE (4) (B1FL~B3FL)	100
12	SPARE	
13	SPARE	
14	SPARE	
15	SPARE	
16	SOCKET OUTLETS CABLE GALLERY	1,000
17	SOCKET OUTLETS CABLE CHAMBER	1,000
18	SOCKET OUTLETS MACHINE ROOM(1)	1,000
19	SOCKET OUTLETS MACHINE ROOM(1)	1,000
20	SOCKET OUTLETS MACHINE ROOM(2)	1,000
21	SOCKET OUTLETS MACHINE ROOM(3)	1,000
22	SOCKET OUTLETS STORAGE	1,000
23	SPARE	
24	SPARE	
31	SOCKET OUTLETS MACHINE ROOM(1)	4,000
32	SOCKET OUTLETS MACHINE ROOM(2)	4,000
33	SOCKET OUTLETS MACHINE ROOM(3)	4,000
51	SOCKET OUTLETS MACHINE ROOM(1)	5,000
52	SOCKET OUTLETS MACHINE ROOM(2)	5,000
53	SOCKET OUTLETS MACHINE ROOM(3)	5,000
	TOTAL	40,300

LIGHTING FIXTURE SCHEDULE

DESCRIPTION	TYPE	LAMPS
CEILING SURFACE MOUNTED TYPE WITH METALLIC LOW BRIGHTNESS LOUVER(IP51)	A-FL322 A-FL323	FL32Wx2 FL32Wx3
CEILING SURFACE MOUNTED OPEN TYPE (IP51)	B-FL321 B-FL322	FL32Wx1 FL32Wx2
PIPE PENDANT TYPE WITH METALLIC REFLECTOR(IP51)	C-FL321 C-FL322	FL32Wx1 FL32Wx2
HIGH CEILING MOUNTED TYPE WITH METALLIC REFLECTOR(IP51)	D-HPS400	HPS400Wx1
FLOOD LIGHT FIXTURE(IP65)	E-HPS400	HPS400Wx1
POLE TOP MOUNTED TYPE AREA LIGHTING FIXTURE(IP65)	F-SON125	SON125Wx1
WALL MOUNTED TYPE WITH PLASTIC COVER(IP65)	G-FL321	FL32Wx1
CEILING/WALL MOUNTED TYPE(IP51)	H-IL100	IL100Wx11

NOTE:

- IL :INCANDESCENT LAMP
- FL :FLUORESCENT LAMP
- HPS :HIGH-PRESSURE SODIUM LAMP
- SON :SODIUM LAMP

INSTALLATION SCHEDULE

ROOM/AREA	LIGHTING		SOCKET OUTLET				
	GENERAL TYPE-NUMBERS	EMERGENCY TYPE-NUMBERS	1P+E 15A 220V	2P+E 30A 220V	3P+E 20A 380V		
CABLE GALLERY	B-FL321	14	H-IL100	4	4		
CABLE CHAMBER	B-FL321	12	H-IL100	4	4		
MACHINE ROOM (1)	B-FL322	16	H-IL100	12	12	1	1
MACHINE ROOM (2)	B-FL322	20	H-IL100	16	8	1	1
MACHINE ROOM (3)	B-FL322	10	H-IL100	8	8	1	1
STORAGE	B-FL322	6	H-IL100	4	3		
STAIRCASE (1)	B-FL321	2	H-IL100	2			
STAIRCASE (3)	B-FL321	2	H-IL100	2			
STAIRCASE (4)	B-FL321	2	H-IL100	1			

THE ARAB REPUBLIC OF EGYPT
MINISTRY OF WATER RESOURCES AND IRRIGATION
NORTH SINAI DEVELOPMENT ORGANIZATION

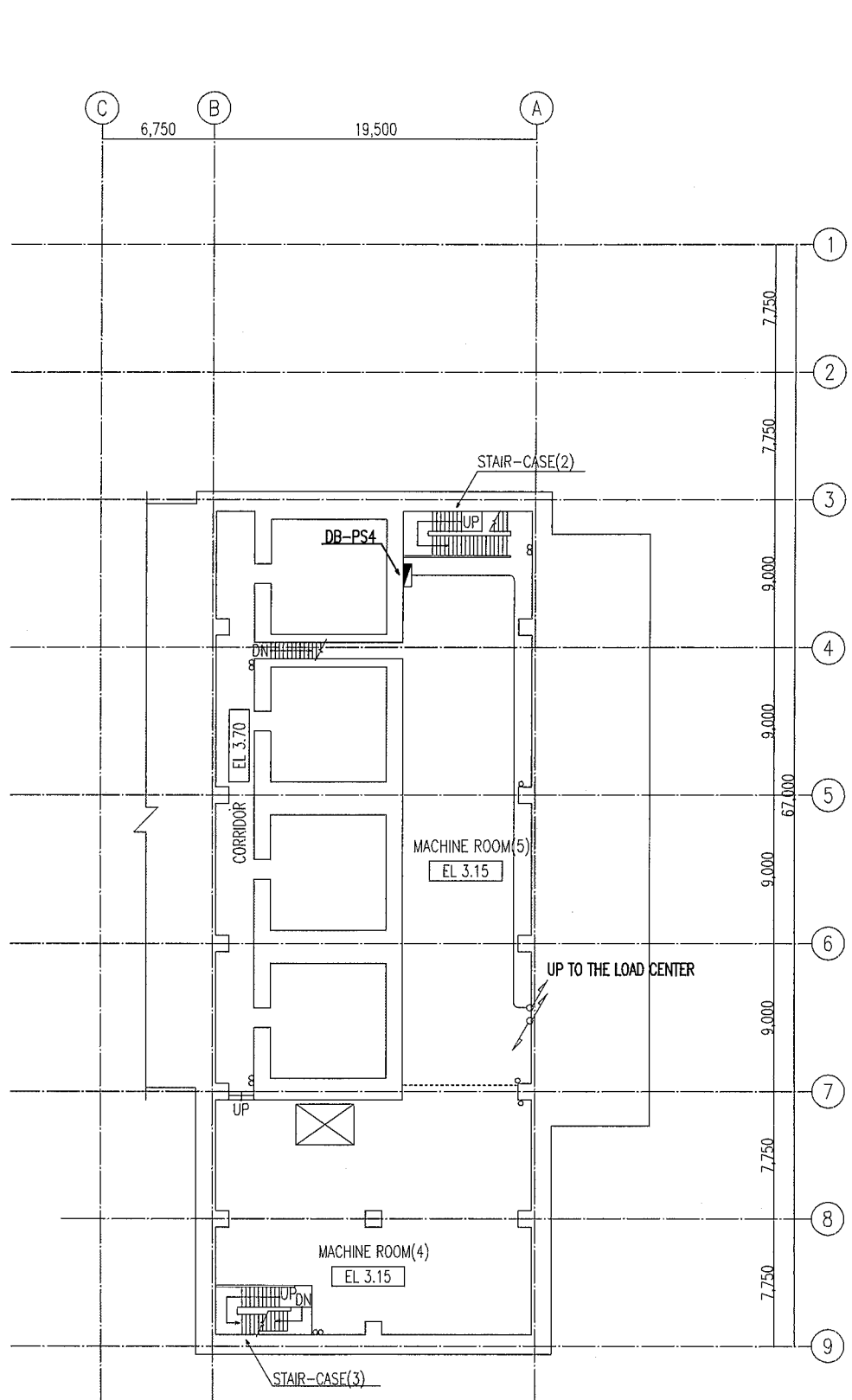
**THE NORTH SINAI INTEGRATED RURAL
DEVELOPMENT PROJECT (PHASE III)**

CONVEYANCE SYSTEM OF EL SHEIKH GABER EL SABBAAH CANAL
BETWEEN KM 108.466 AND KM 118.660
EL SALAAM No. 7 (BIR EL ABD) PUMPING STATION
PUMP HOUSE

LIGHTING SOCKET OUTLET INSTALLATION SCHEDULE(3/5) BASEMENT 1st FLOOR

JAPAN INTERNATIONAL COOPERATION AGENCY (JICA)
SANYU CONSULTANTS INC, PACIFIC CONSULTANTS INTERNATIONAL

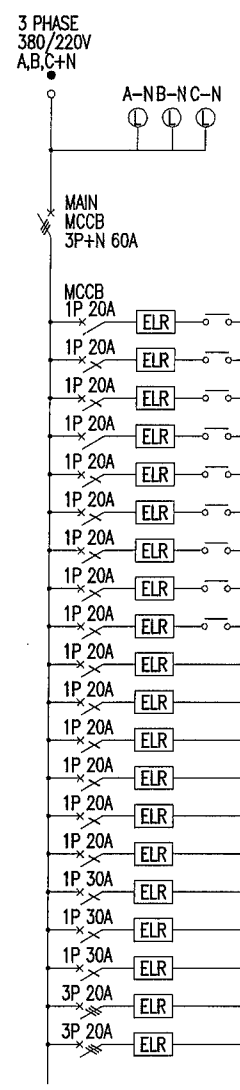
DESIGNED	
TRACED	
CHECKED	
APPROVED	
DRAWING NO.	PSB-235



PLAN OF BASEMENT 2rd FLOOR S=1/400

LEGEND

SYMBOL	DESCRIPTION
	DISTRIBUTION BOARD (WALL SURFACE MOUNT)
	REMOTE CONTROL SWITCH (LIGHTING)
	1-WAY LIGHTING SWITCH
	3-WAY LIGHTING SWITCH
WP	WATER PROOFING
	LIGHTING MAIN LINE (EXPOSED WIRING)
	LIGHTING MAIN LINE (UNDER FLOOR WIRING)



DISTRIBUTION BOARD DB-PS4

NO.	CONNECTED CONSUMERS	LOAD(VA)
1	LIGHTS CORRIDOR	400
2	LIGHTS MACHINE ROOM(4)	600
3	LIGHTS MACHINE ROOM(4)	600
4	LIGHTS MACHINE ROOM(5)	800
5	LIGHTS MACHINE ROOM(5)	800
6	SPARE	
7	SPARE	
8	SPARE	
9	SPARE	
10	SOCKET OUTLETS CORRIDOR	1,000
11	SOCKET OUTLETS MACHINE ROOM(4)	1,000
12	SOCKET OUTLETS MACHINE ROOM(4)	1,000
13	SOCKET OUTLETS MACHINE ROOM(5)	1,000
14	SOCKET OUTLETS MACHINE ROOM(5)	1,000
15	SPARE	
31	SOCKET OUTLETS MACHINE ROOM(4)	4,000
32	SOCKET OUTLETS MACHINE ROOM(5)	4,000
33	SPARE	
51	SOCKET OUTLETS MACHINE ROOM(4)	5,000
52	SOCKET OUTLETS MACHINE ROOM(5)	5,000
	TOTAL	26,200

INSTALLATION SCHEDULE

ROOM/AREA	LIGHTING		SOCKET OUTLET		
	GENERAL TYPE-NUMBERS	EMERGENCY TYPE-NUMBERS	1P+E 15A 220V	2P+E 30A 220V	3P+E 20A 380V
CORRIDOR	B-FL321 8	H-IL100 8	4		
MACHINE ROOM(4)	B-FL322 16	H-IL100 12	12	1	1
MACHINE ROOM(5)	B-FL322 20	H-IL100 16	8	1	1
STAIRCASE (2)	B-FL321 2	H-IL100 2			
STAIRCASE (3)	B-FL321 2	H-IL100 2			
STAIRCASE (6)	B-FL321 2	H-IL100 2			

LIGHTING FIXTURE SCHEDULE

DESCRIPTION	TYPE	LAMPS
CEILING SURFACE MOUNTED TYPE WITH METALLIC LOW BRIGHTNESS LOUVER(IP51)	A-FL322 A-FL323	FL32WX2 FL32WX3
CEILING SURFACE MOUNTED OPEN TYPE (IP51)	B-FL321 B-FL322	FL32WX1 FL32WX2
PIPE PENDANT TYPE WITH METALLIC REFLECTOR(IP51)	C-FL321 C-FL322	FL32WX1 FL32WX2
HIGH CEILING MOUNTED TYPE WITH METALLIC REFLECTOR(IP51)	D-HPS400	HPS400WX1
FLOOD LIGHT FIXTURE(IP65)	E-HPS400	HPS400WX1
POLE TOP MOUNTED TYPE AREA LIGHTING FIXTURE(IP65)	F-SON125	SON125WX1
WALL MOUNTED TYPE WITH PLASTIC COVER(IP65)	G-FL321	FL32WX1
CEILING/WALL MOUNTED TYPE(IP51)	H-IL100	IL100WX11

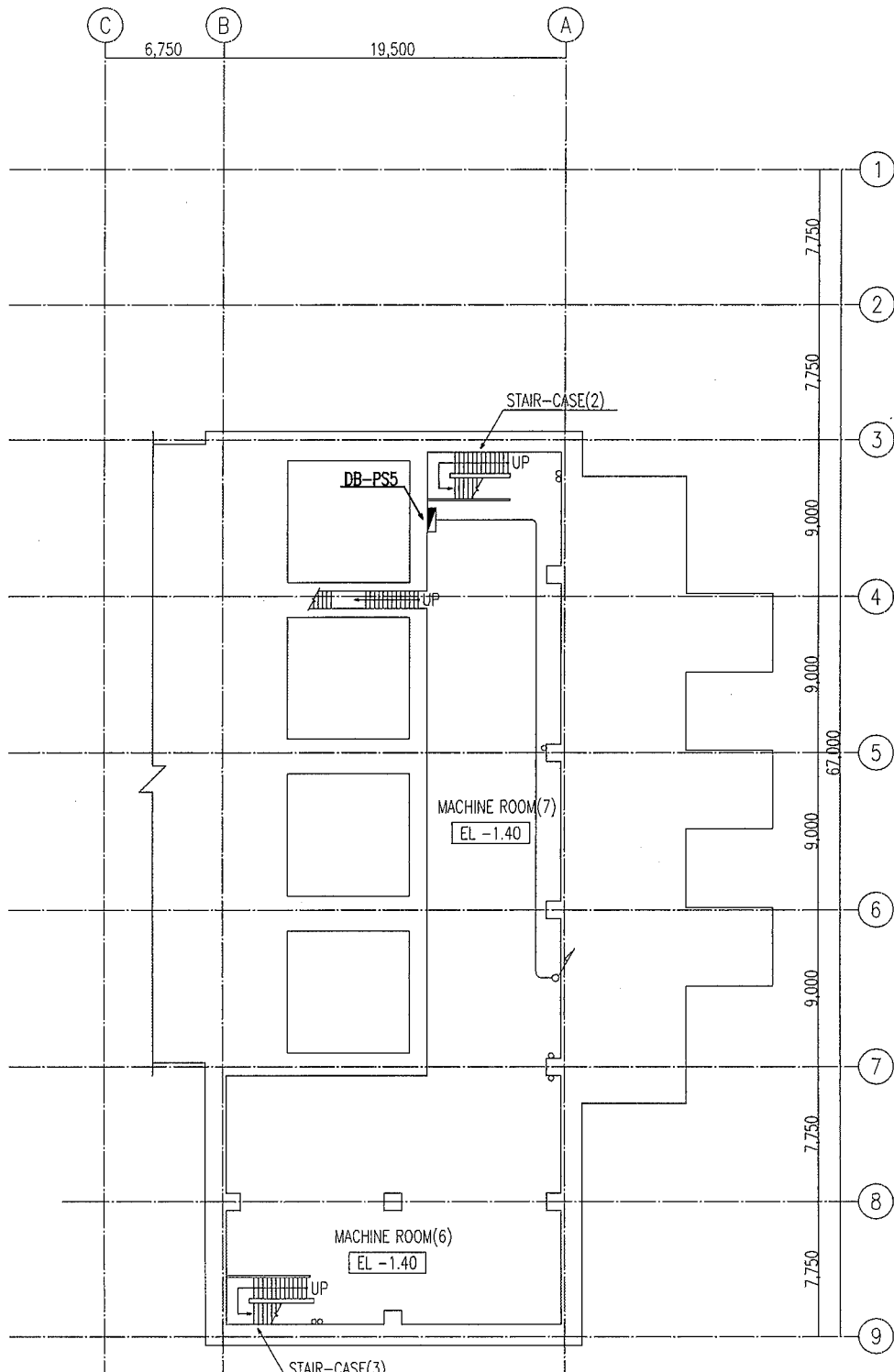
NOTE:
 IL : INCANDESCENT LAMP
 FL : FLUORESCENT LAMP
 HPS : HIGH-PRESSURE SODIUM LAMP
 SON : SODIUM LAMP

THE ARAB REPUBLIC OF EGYPT
 MINISTRY OF WATER RESOURCES AND IRRIGATION
 NORTH SINAI DEVELOPMENT ORGANIZATION
THE NORTH SINAI INTEGRATED RURAL DEVELOPMENT PROJECT (PHASE III)

CONVEYANCE SYSTEM OF EL SHEIKH GABER EL SABBAH CANAL
 BETWEEN KM 108.466 AND KM 118.560
 EL SALAAM No. 7 (B1R EL ABD) PUMPING STATION
PUMP HOUSE
 LIGHTING AND SOCKET OUTLET INSTALLATION SCHEDULE (4/5) BASEMENT 2nd FLOOR

JAPAN INTERNATIONAL COOPERATION AGENCY (JICA)
 SANYU CONSULTANTS INC, PACIFIC CONSULTANTS INTERNATIONAL

DESIGNED	
TRACED	
CHECKED	
APPROVED	
DRAWING NO.	PSB-236

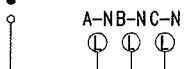


PLAN OF BASEMENT 3rd FLOOR S=1/400

LEGEND

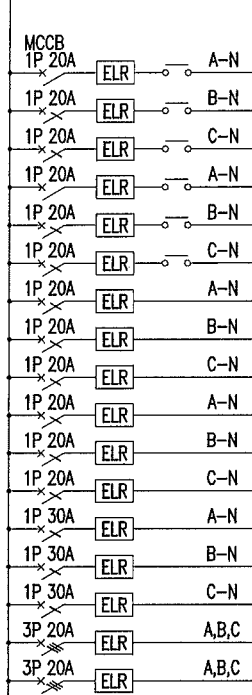
SYMBOL	DESCRIPTION
	DISTRIBUTION BOARD (WALL SURFACE MOUNT)
	REMOTE CONTROL SWITCH (LIGHTING)
	1-WAY LIGHTING SWITCH
	3-WAY LIGHTING SWITCH
	WATER PROOFING
	LIGHTING MAIN LINE (EXPOSED WIRING)
	LIGHTING MAIN LINE (UNDER FLOOR WIRING)

3 PHASE
380/220V
A,B,C+N



DISTRIBUTION BOARD DB-PS5

MAIN
MCCB
3P+N 60A



NO.	CONNECTED CONSUMERS	LOAD(VA)
1	LIGHTS MACHINE ROOM(6)	600
2	LIGHTS MACHINE ROOM(6)	600
3	LIGHTS MACHINE ROOM(7)	800
4	SPARE MACHINE ROOM(7)	800
5	SPARE	
6	SPARE	
7	SOCKET OUTLETS MACHINE ROOM(6)	1,000
8	SOCKET OUTLETS MACHINE ROOM(6)	1,000
9	SOCKET OUTLETS MACHINE ROOM(7)	1,000
10	SOCKET OUTLETS MACHINE ROOM(7)	1,000
11	SPARE	
12	SPARE	
31	SOCKET OUTLETS MACHINE ROOM(6)	4,000
32	SOCKET OUTLETS MACHINE ROOM(7)	4,000
33	SPARE	
51	SOCKET OUTLETS MACHINE ROOM(6)	5,000
52	SOCKET OUTLETS MACHINE ROOM(7)	5,000
	TOTAL	24,800

INSTALLATION SCHEDULE

ROOM/AREA	LIGHTING		SOCKET OUTLET			
	GENERAL TYPE-NUMBERS	EMERGENCY TYPE-NUMBERS	1P+E 15A 220V	2P+E 30A 220V	3P+E 20A 380V	
MACHINE ROOM(6)	B-FL322 16	H-IL100 12	12	1	1	
MACHINE ROOM(7)	B-FL322 20	H-IL100 16	8	1	1	
STAIRCASE (2)	B-FL321 2	H-IL100 2				
STAIRCASE (3)	B-FL321 2	H-IL100 2				
STAIRCASE (6)	B-FL321 2	H-IL100 2				

LIGHTING FIXTURE SCHEDULE

DESCRIPTION	TYPE	LAMPS
CEILING SURFACE MOUNTED TYPE WITH METALLIC LOW BRIGHTNESS LUMER(IP51)	A-FL322	FL32Wx2
	A-FL323	FL32Wx3
CEILING SURFACE MOUNTED OPEN TYPE (IP51)	B-FL321	FL32Wx1
	B-FL322	FL32Wx2
PIPE PENDANT TYPE WITH METALLIC REFLECTOR(IP51)	C-FL321	FL32Wx1
	C-FL322	FL32Wx2
HIGH CEILING MOUNTED TYPE WITH METALLIC REFLECTOR(IP51)	D-HPS400	HPS400Wx1
FLOOD LIGHT FIXTURE(IP65)	E-HPS400	HPS400Wx1
POLE TOP MOUNTED TYPE AREA LIGHTING FIXTURE(IP65)	F-SON125	SON125Wx1
WALL MOUNTED TYPE WITH PLASTIC COVER(IP65)	G-FL321	FL32Wx1
CEILING/WALL MOUNTED TYPE(IP51)	H-IL100	IL100Wx11

NOTE:

IL : INCANDESCENT LAMP

FL : FLUORESCENT LAMP

HPS : HIGH-PRESSURE SODIUM LAMP

SON : SODIUM LAMP

THE ARAB REPUBLIC OF EGYPT
 MINISTRY OF WATER RESOURCES AND IRRIGATION
 NORTH SINAI DEVELOPMENT ORGANIZATION

THE NORTH SINAI INTEGRATED RURAL DEVELOPMENT PROJECT (PHASE III)

CONVEYANCE SYSTEM OF EL SHEIKH GABER EL SABBAH CANAL
 BETWEEN KM 108.466 AND KM 118.560
 EL SALAAM No. 7 (B1R EL ABD) PUMPING STATION
PUMP HOUSE

LIGHTING AND SOCKET OUTLET INSTALLATION SCHEDULE(5/5)BASEMENT 3rd FLOOR

JAPAN INTERNATIONAL COOPERATION AGENCY (JICA)
 SANYU CONSULTANTS INC, PACIFIC CONSULTANTS INTERNATIONAL

DESIGNED	
TRACED	
CHECKED	
APPROVED	
DRAWING NO.	PSB-237