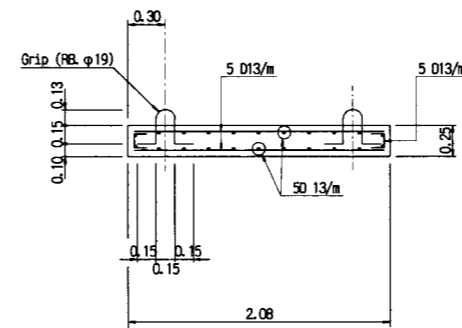
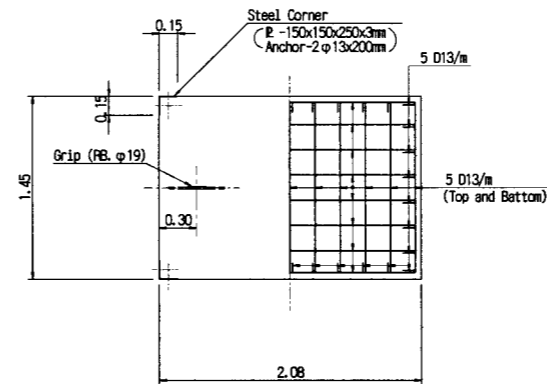
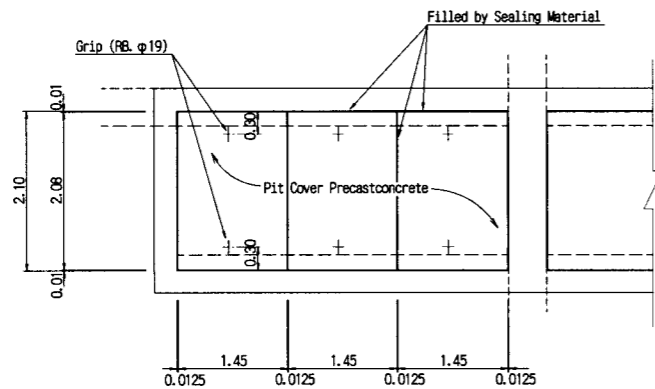


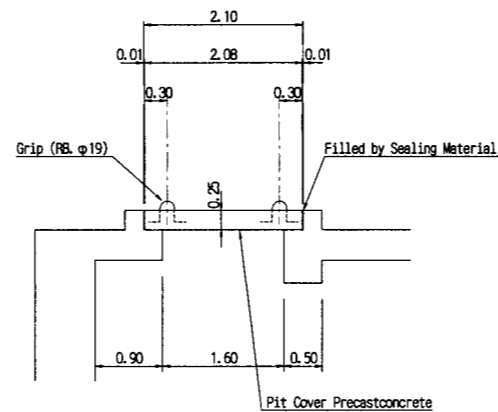
SECTION D-D
SCALE 1:200



DETAILS OF PIT COVER
SCALE 1:60



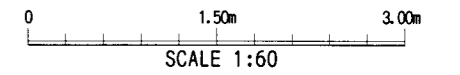
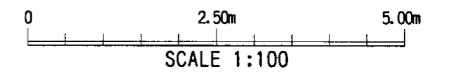
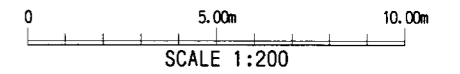
PLAN OF PIT COVER
SCALE 1:100



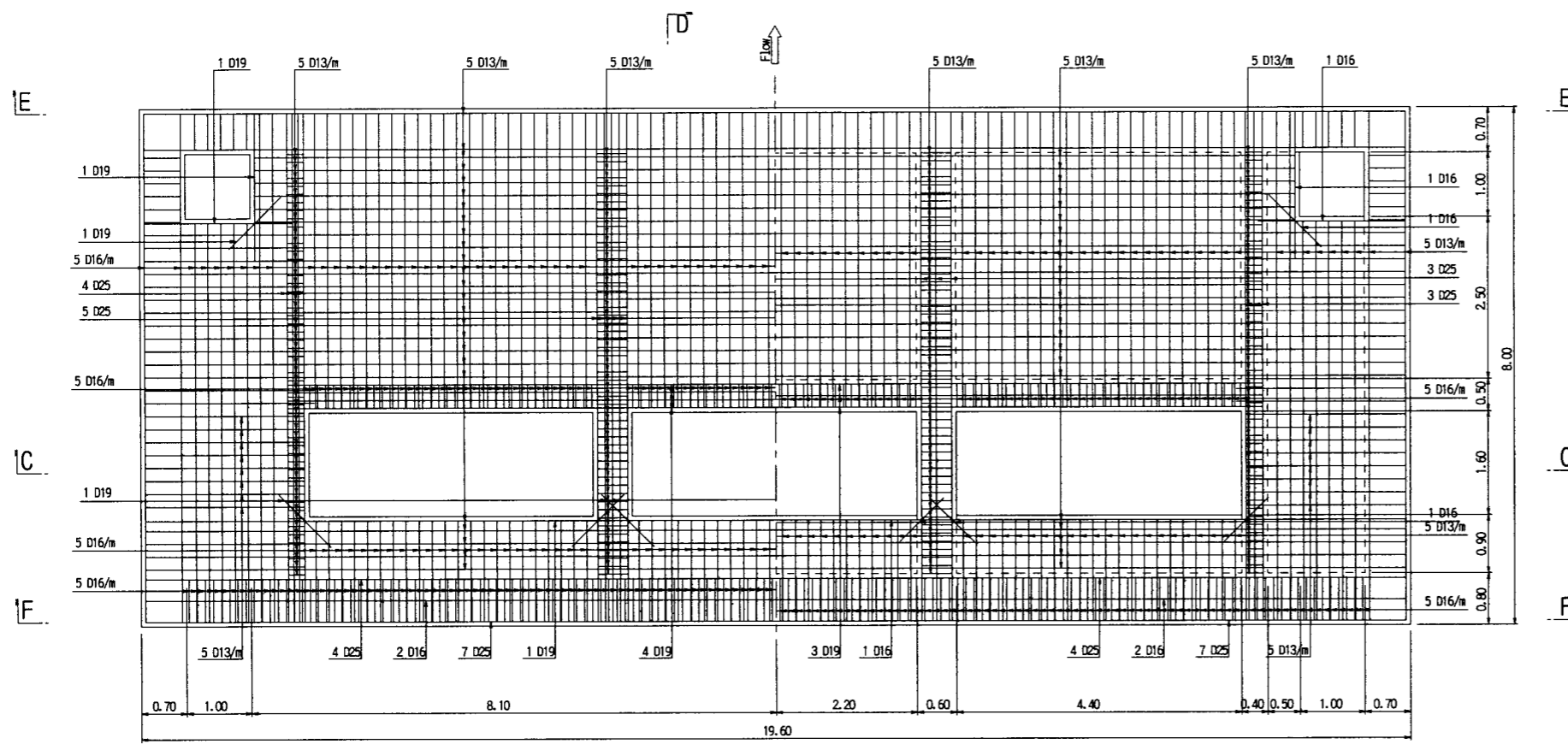
CROSS SECTION OF PIT COVER
SCALE 1:100

NOTES:

1. This drawing scales are as follows;



THE ARAB REPUBLIC OF EGYPT MINISTRY OF WATER RESOURCES AND IRRIGATION NORTH SINAI DEVELOPMENT ORGANIZATION	
THE NORTH SINAI INTEGRATED RURAL DEVELOPMENT PROJECT (PHASE III)	
CONVEYANCE SYSTEM OF EL SHEIKH GABER EL SABBABH CANAL BETWEEN KM 108.466 AND KM 118.560 EL SALAAM No. 7 (BIR EL ABD) PUMPING STATION	
PUMPING STATION VALVE CHAMBER STRUCTURE (2/2)	
JAPAN INTERNATIONAL COOPERATION AGENCY (JICA) SANYU CONSULTANTS INC, PACIFIC CONSULTANTS INTERNATIONAL	
DESIGNED	
TRACED	
CHECKED	
APPROVED	
DRAWING NO.	PSC-234

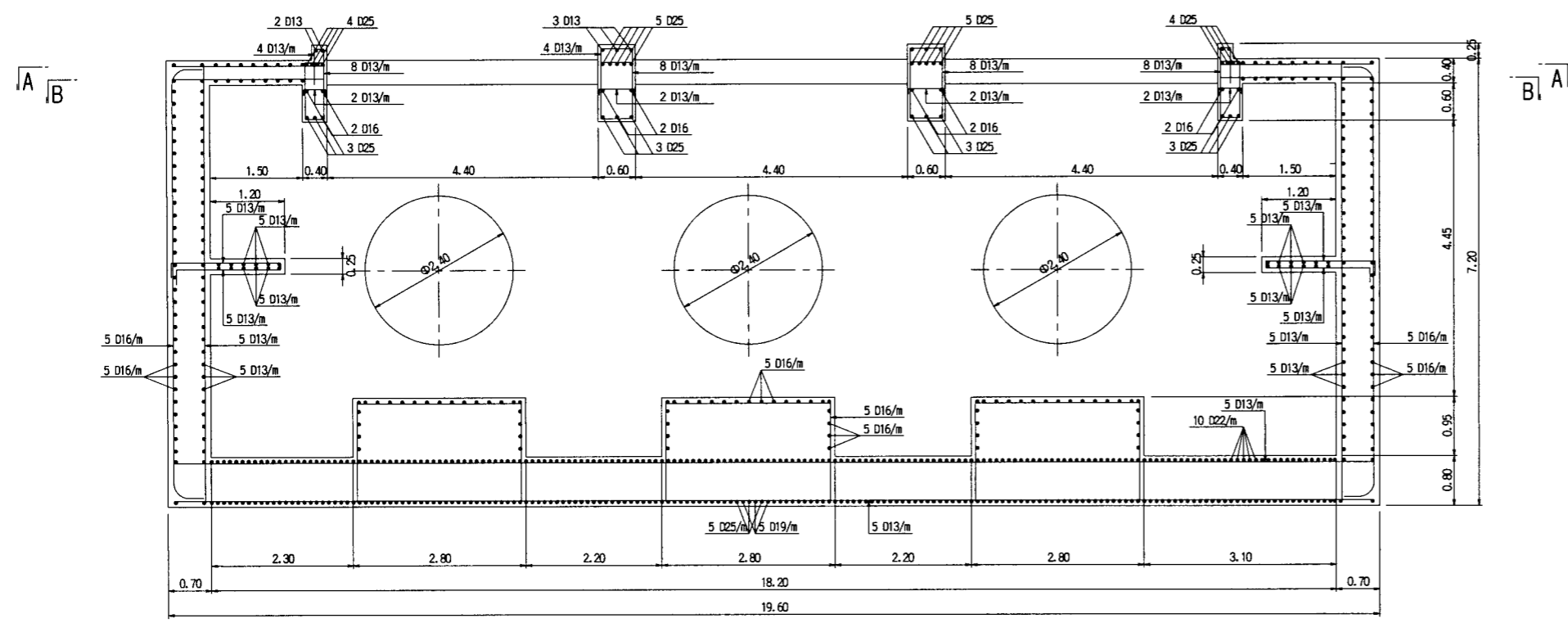


NOTES:
 1. This drawing scale is as follow;
 0 5.00m
 SCALE 1:100

SECTION A-A

SECTION B-B

PLAN
 SCALE 1:100

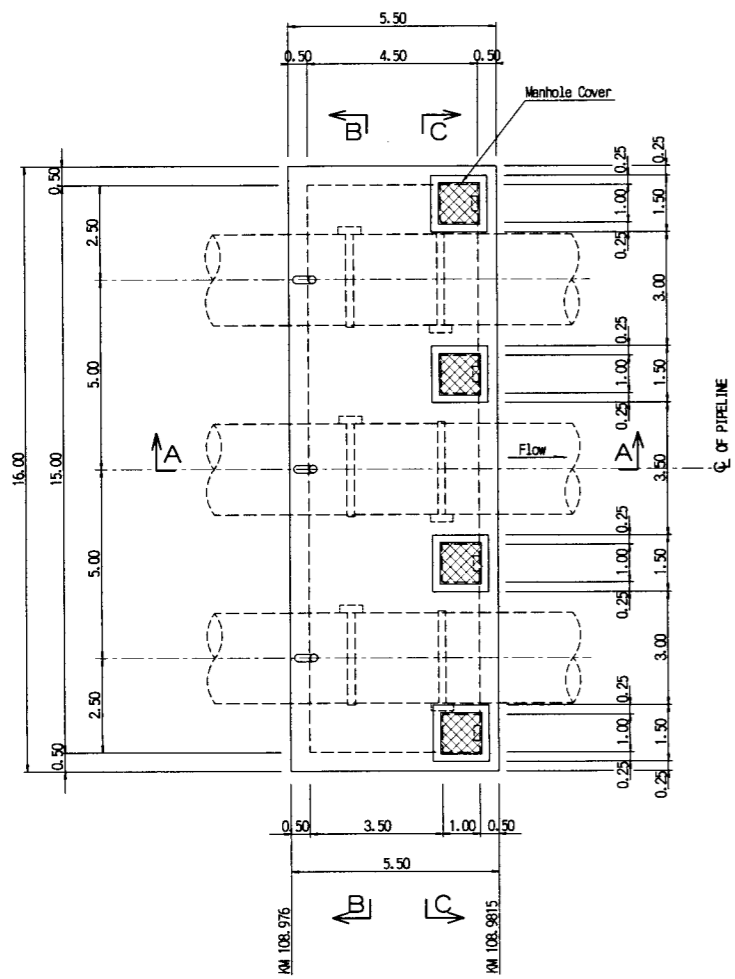
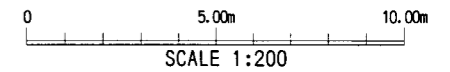


SECTION C-C
 SCALE 1:100

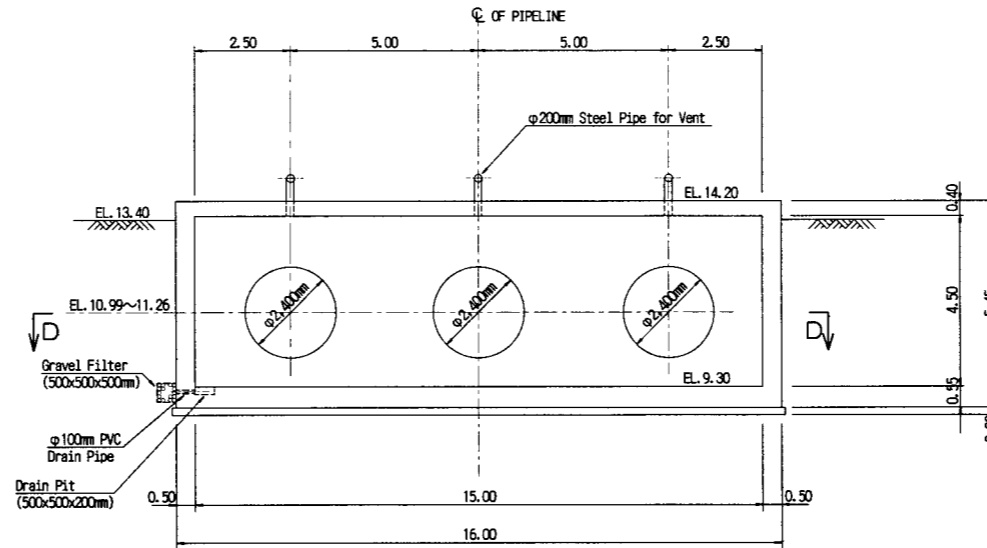
THE ARAB REPUBLIC OF EGYPT MINISTRY OF WATER RESOURCES AND IRRIGATION NORTH SINAI DEVELOPMENT ORGANIZATION	
THE NORTH SINAI INTEGRATED RURAL DEVELOPMENT PROJECT (PHASE III)	
CONVEYANCE SYSTEM OF EL SHEIKH GABER EL SABBAH CANAL BETWEEN KM 108.466 AND KM 118.560 EL SALAAM No.7 (BIR EL ABD) PUMPING STATION PUMPING STATION VALVE CHAMBER REINFORCEMENTS(1/2)	
JAPAN INTERNATIONAL COOPERATION AGENCY(JICA) SANYU CONSULTANTS INC,PACIFIC CONSULTANTS INTERNATIONAL	
DESIGNED	
TRACED	
CHECKED	
APPROVED	
DRAWING NO.	PSC-235

NOTES:

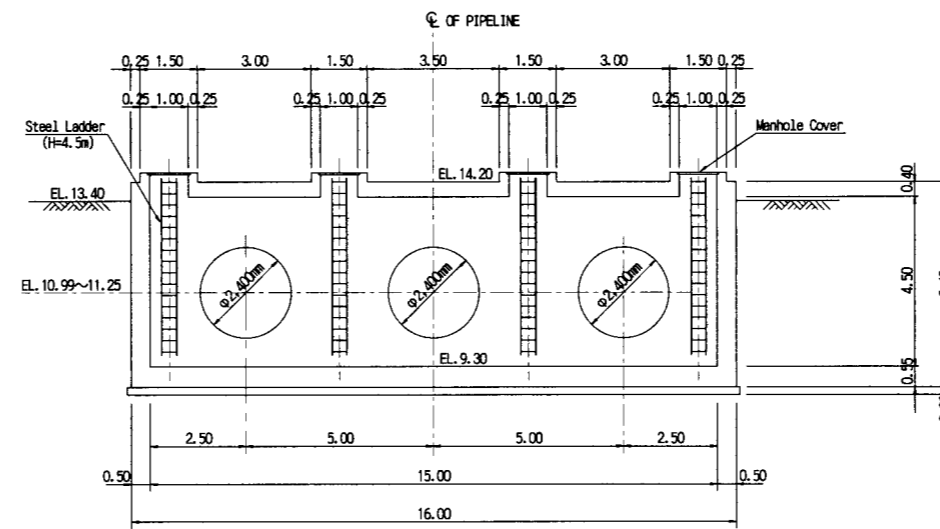
1. This drawing scale is 1:200.



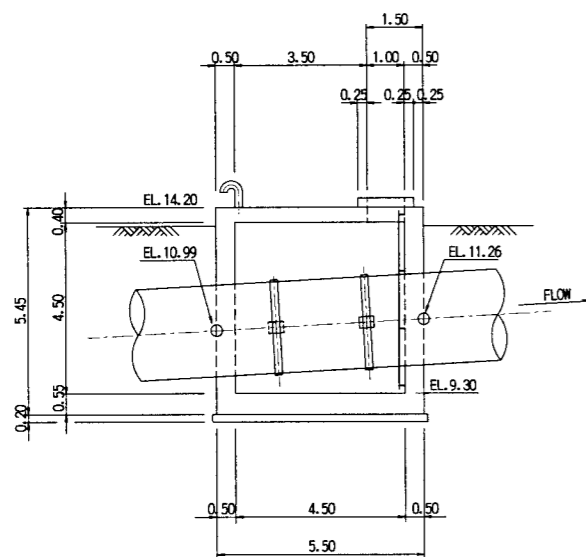
PLAN
SCALE 1:200



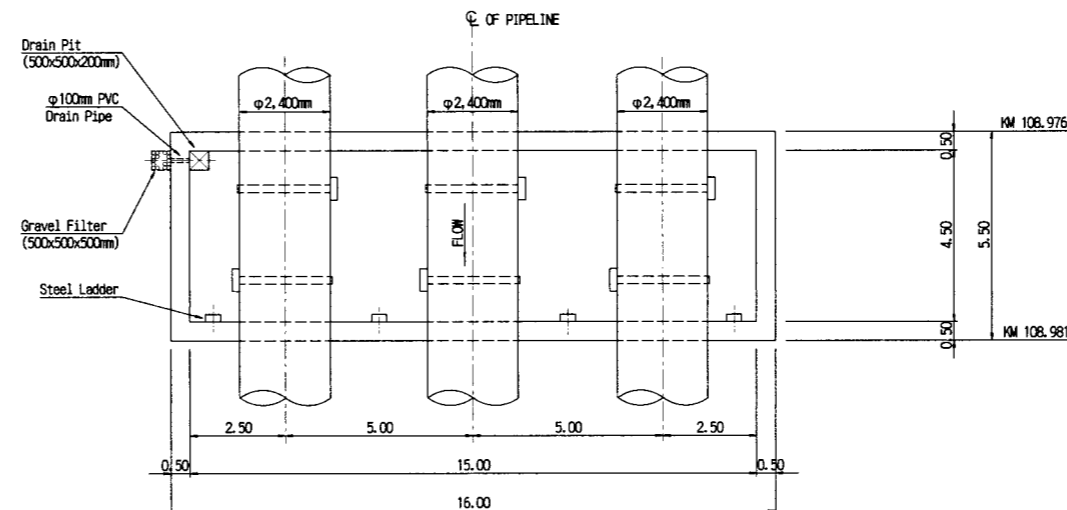
SECTION B-B
SCALE 1:200



SECTION C-C
SCALE 1:200

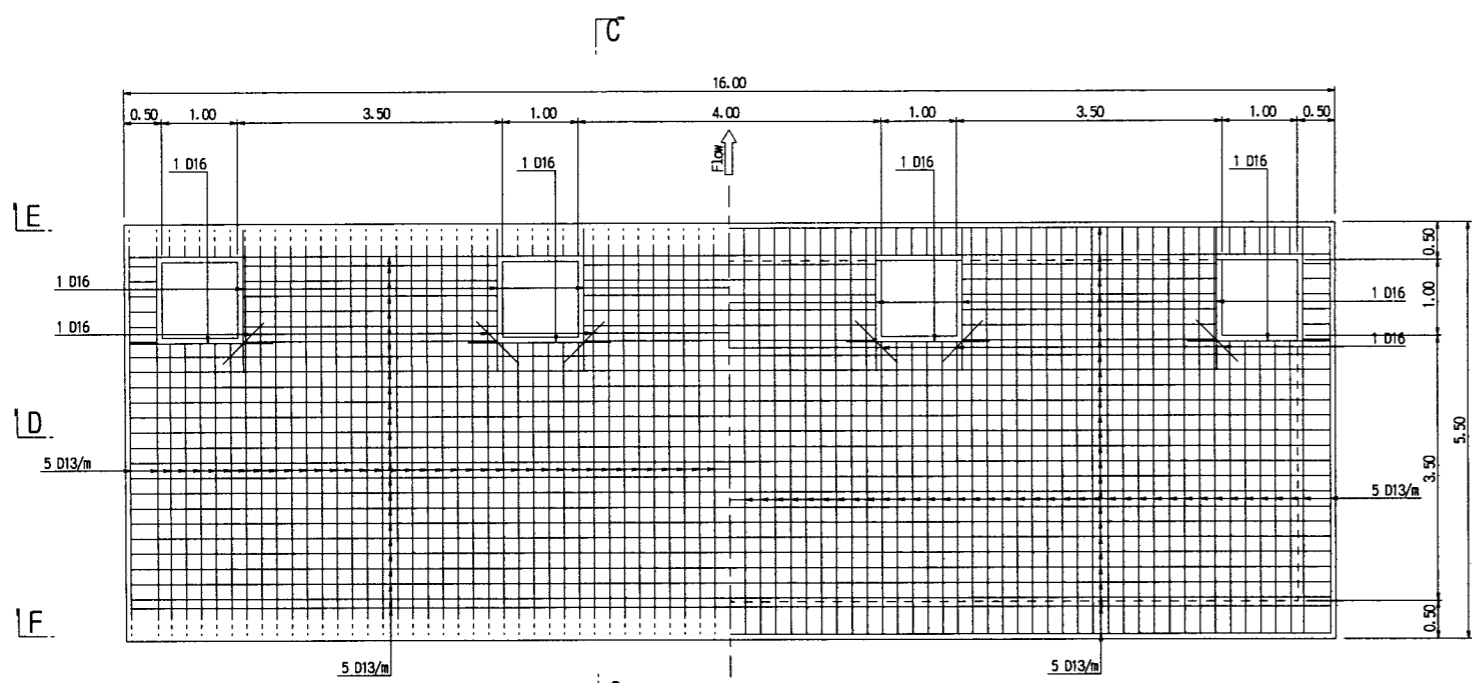


SECTION A-A
SCALE 1:200



SECTION D-D
SCALE 1:200

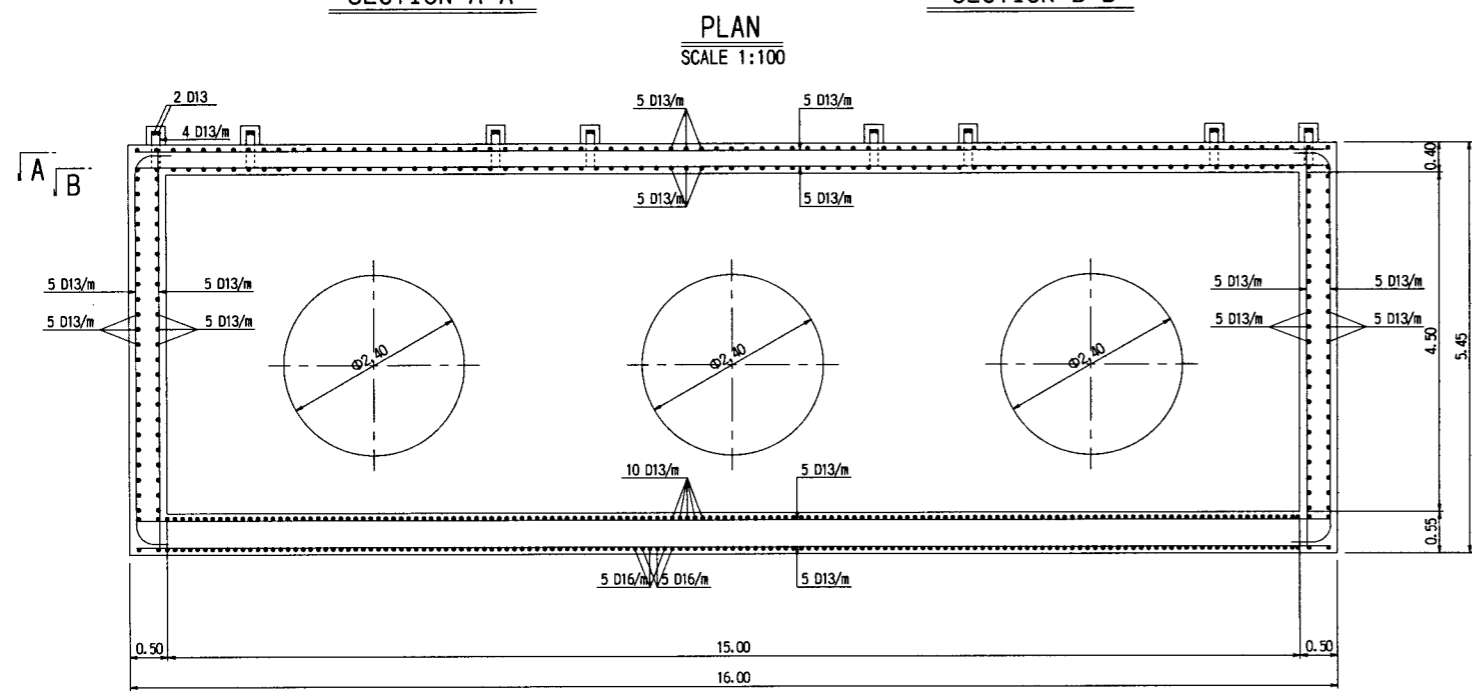
THE ARAB REPUBLIC OF EGYPT MINISTRY OF WATER RESOURCES AND IRRIGATION NORTH SINAI DEVELOPMENT ORGANIZATION	
THE NORTH SINAI INTEGRATED RURAL DEVELOPMENT PROJECT (PHASE III)	
CONVEYANCE SYSTEM OF EL SHEIKH GABER EL SABBABH CANAL BETWEEN KM 108.466 AND KM 118.560 EL SALAAM No. 7 (BIR EL ABD) PUMPING STATION	
PUMPING STATION FLOW METER CHAMBER STRUCTURE	
JAPAN INTERNATIONAL COOPERATION AGENCY (JICA) SANYU CONSULTANTS INC, PACIFIC CONSULTANTS INTERNATIONAL	
DESIGNED	
TRACED	
CHECKED	
APPROVED	
DRAWING NO.	PSC-237



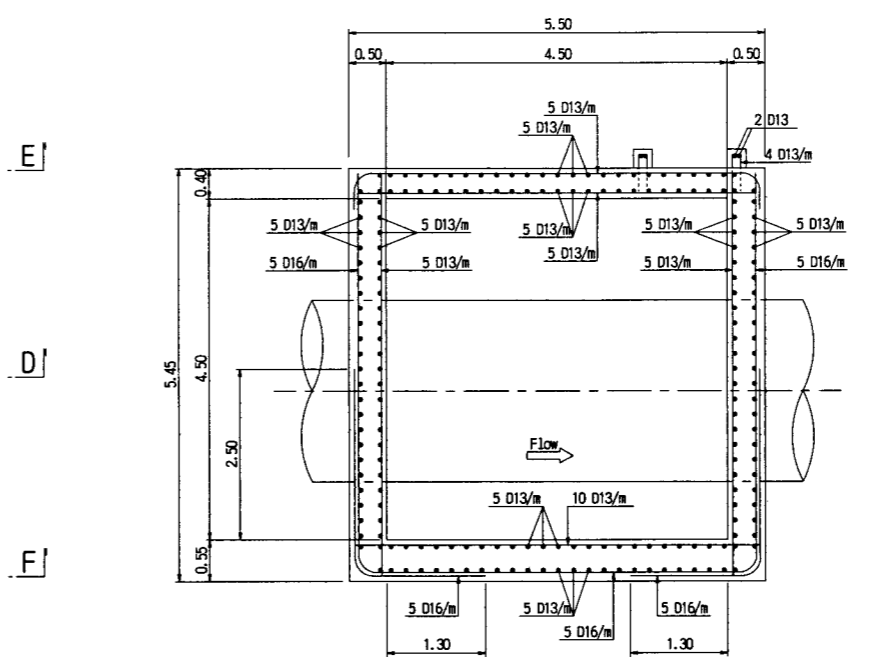
SECTION A-A

SECTION B-B

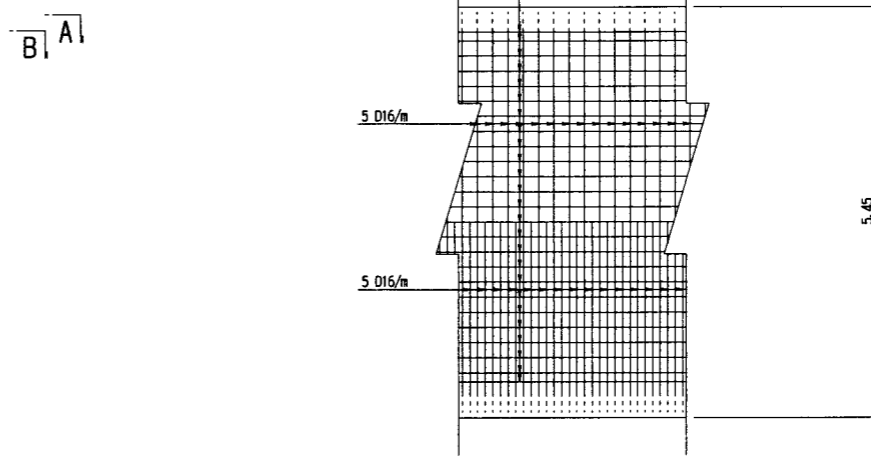
PLAN
SCALE 1:100



SECTION D-D
SCALE 1:100

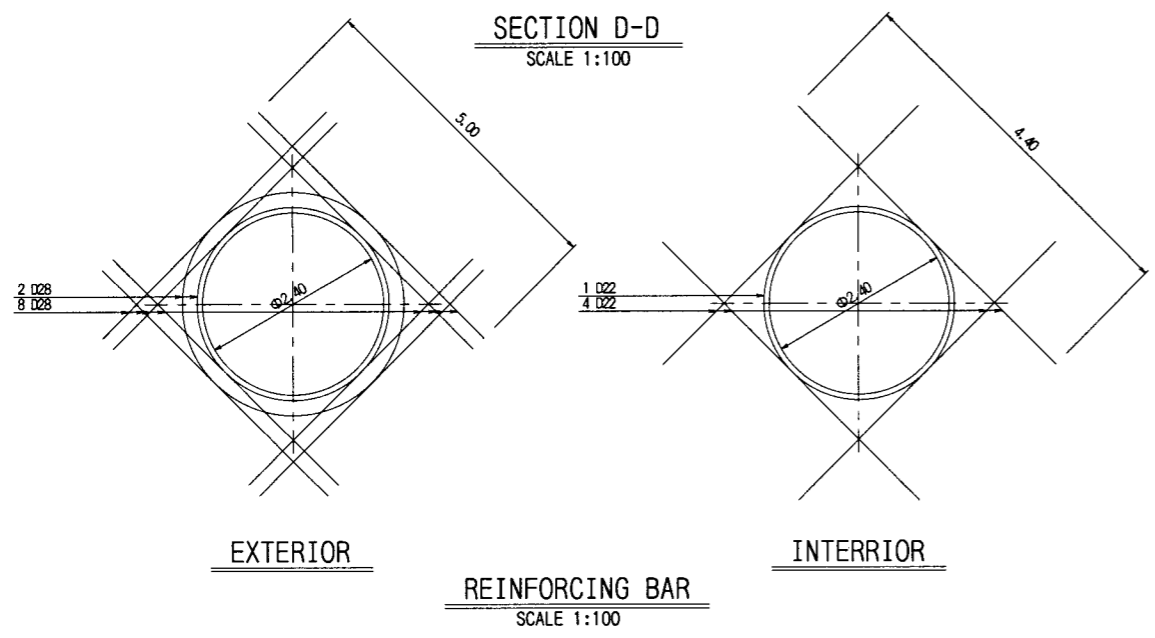


SECTION C-C
SCALE 1:100



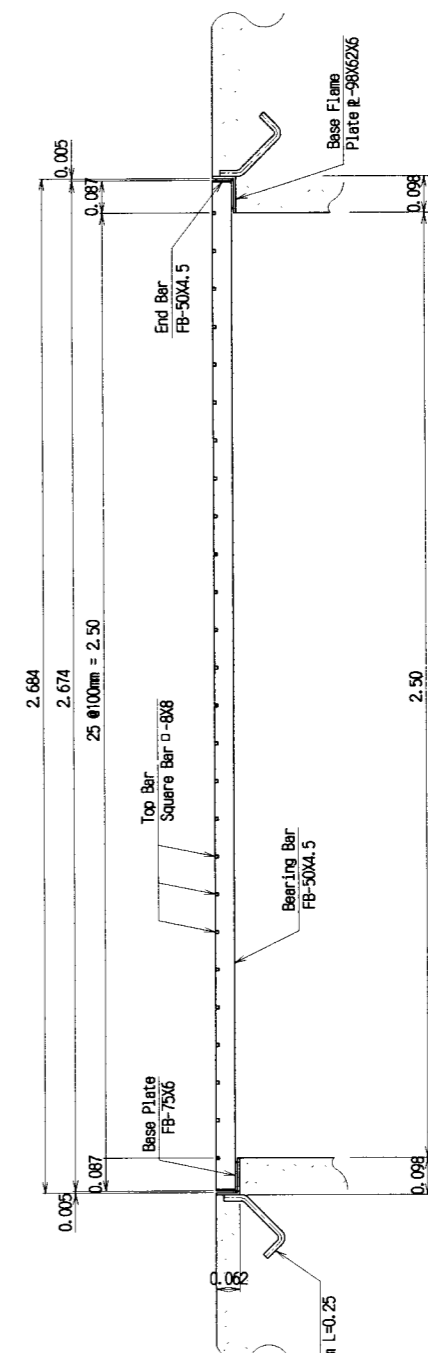
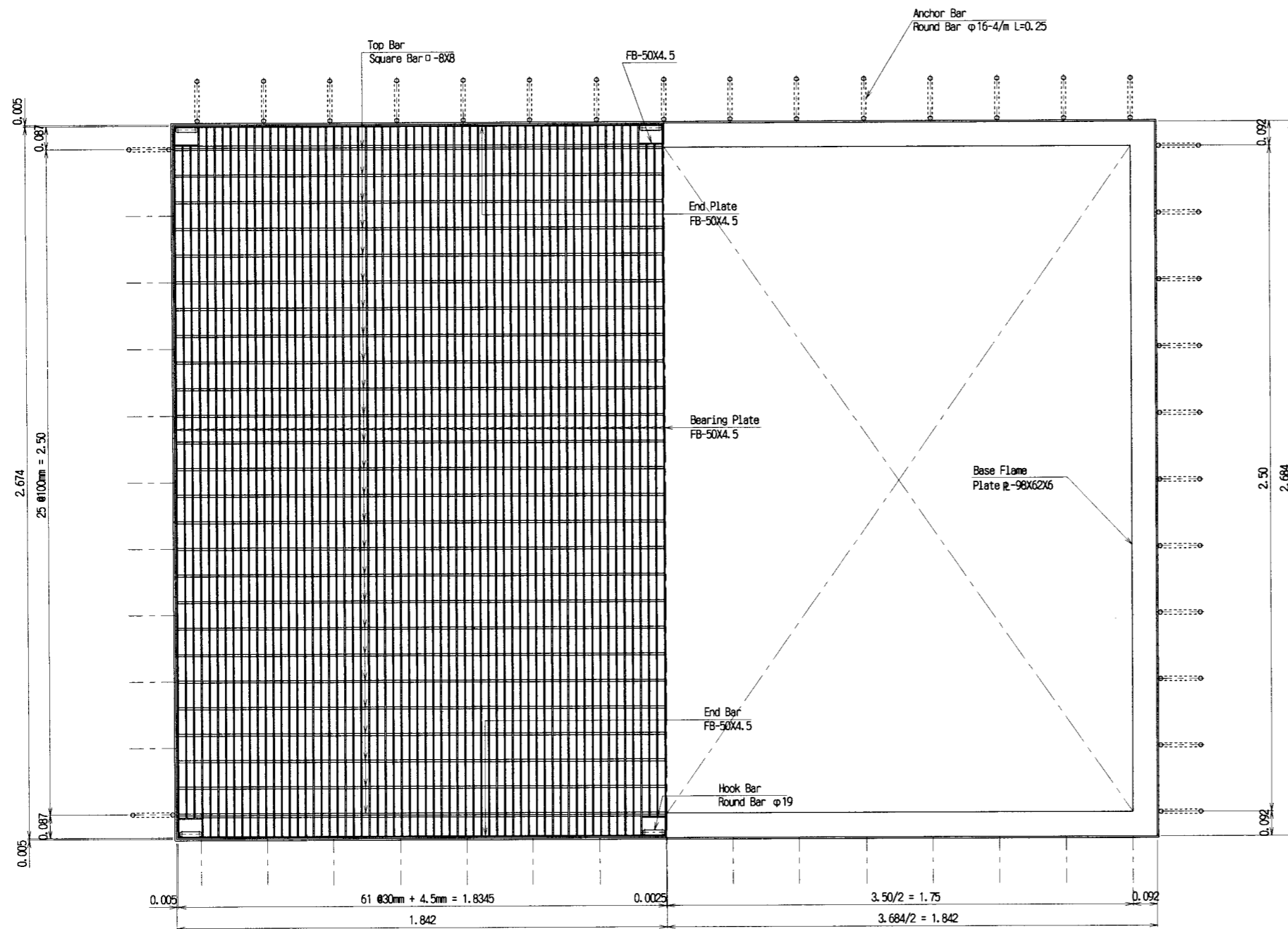
SECTION E-E(F-F)
SCALE 1:100

NOTES:
1. This drawing scale is as follow;
0 5.00m
SCALE 1:100

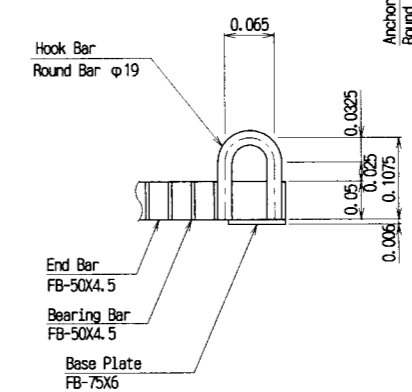
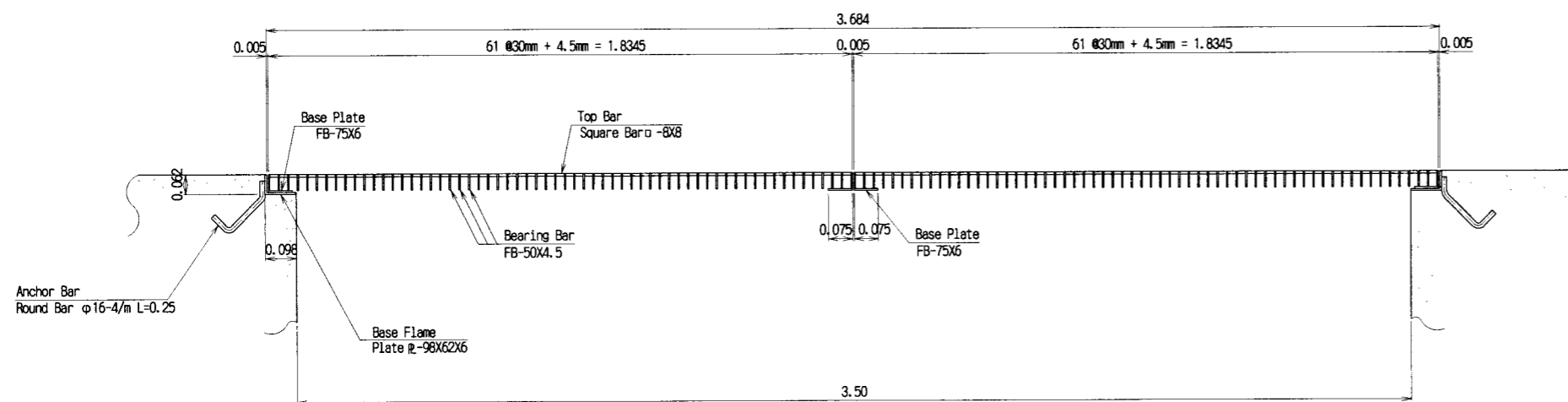


REINFORCING BAR
SCALE 1:100

THE ARAB REPUBLIC OF EGYPT MINISTRY OF WATER RESOURCES AND IRRIGATION NORTH SINAI DEVELOPMENT ORGANIZATION	
THE NORTH SINAI INTEGRATED RURAL DEVELOPMENT PROJECT (PHASE III)	
CONVEYANCE SYSTEM OF EL SHEIKH GABER EL SABBABH CANAL BETWEEN KM 108.466 AND KM 118.560 EL SALAAM No. 7 (BIR EL ABD) PUMPING STATION PUMPING STATION FLOW METER CHAMBER REINFORCEMENT	
JAPAN INTERNATIONAL COOPERATION AGENCY(JICA) SANYU CONSULTANTS INC. PACIFIC CONSULTANTS INTERNATIONAL	
DESIGNED	
TRACED	
CHECKED	
APPROVED	
DRAWING NO.	PSC-238



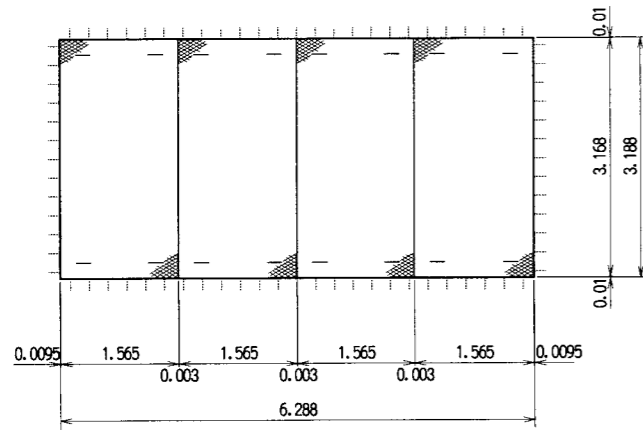
NOTES;
 1. This drawing scales are as follows :
 0 0.5 1m
 SCALE 1:20
 0 0.5m
 SCALE 1:10



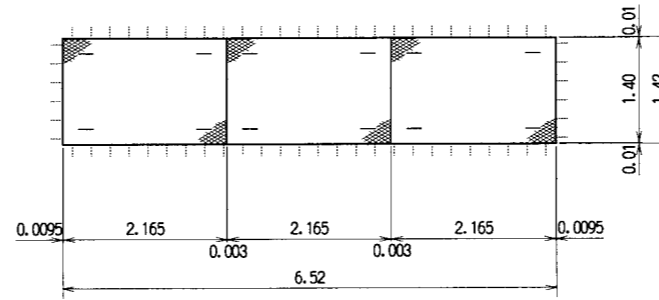
Detailed Hook Bar
 SCALE 1:10

SERVICE HATCH ② & VALVE HATCH (GRATING 3.50x2.50)
 SCALE 1:20

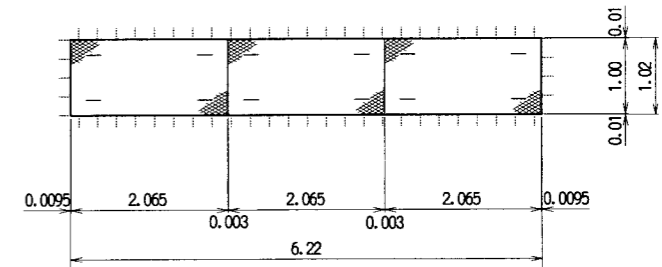
THE ARAB REPUBLIC OF EGYPT MINISTRY OF WATER RESOURCES AND IRRIGATION NORTH SINAI DEVELOPMENT ORGANIZATION	
THE NORTH SINAI INTEGRATED RURAL DEVELOPMENT PROJECT (PHASE III)	
CONVEYANCE SYSTEM OF EL SHEIKH GABER EL SABBABH CANAL BETWEEN KM 108.466 AND KM 118.560 EL SALAAM No. 7 (BIR EL ABD) PUMPING STATION	
PUMPING STATION PIT COVER DETAILS (2/3)	
JAPAN INTERNATIONAL COOPERATION AGENCY(JICA) SANYU CONSULTANTS INC, PACIFIC CONSULTANTS INTERNATIONAL	
DESIGNED	
TRACED	
CHECKED	
APPROVED	
DRAWING NO.	PSC-240



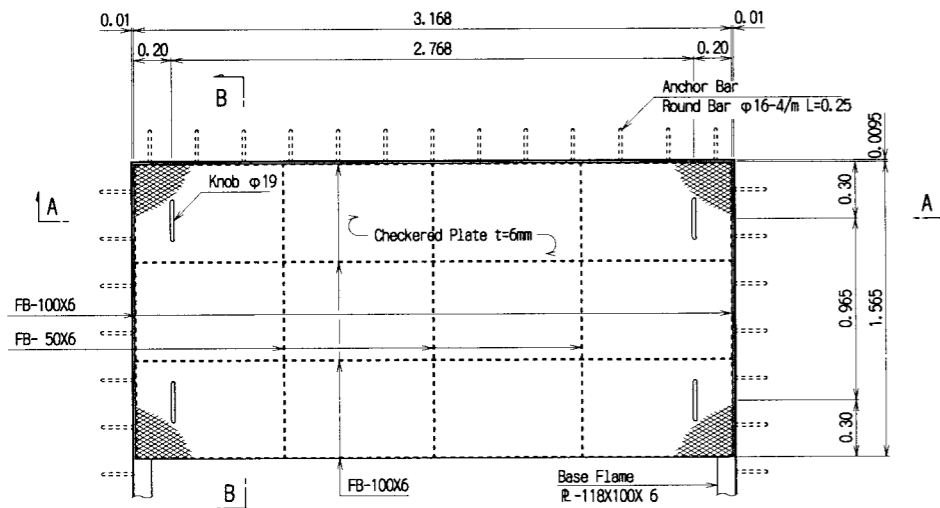
ARRANGEMENT OF COVERS
SCALE 1:100



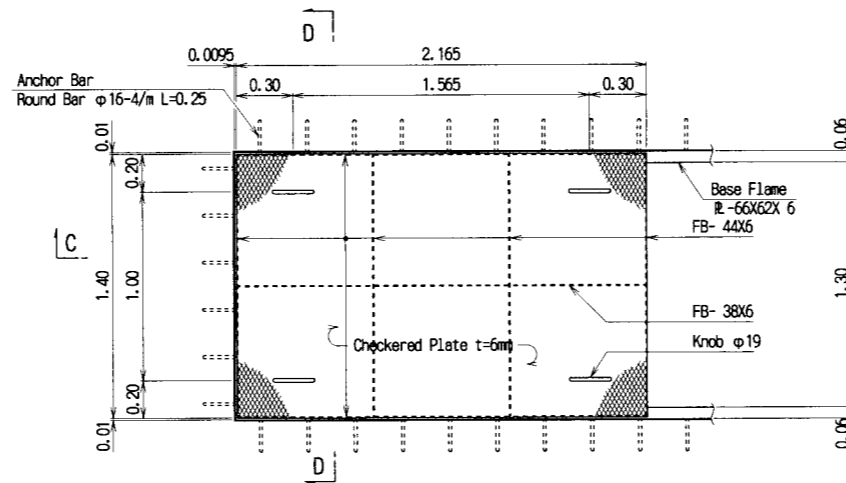
ARRANGEMENT OF COVERS
SCALE 1:100



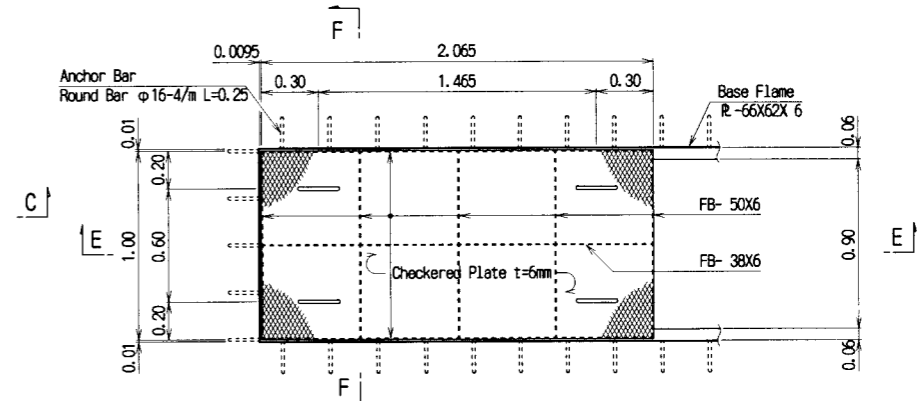
ARRANGEMENT OF COVERS
SCALE 1:100



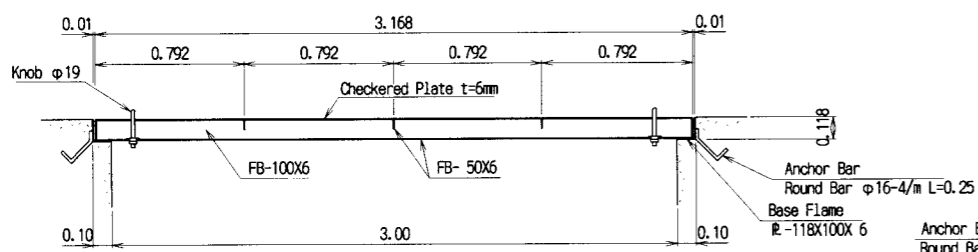
DETAILED PLAN OF COVER
SCALE 1:40



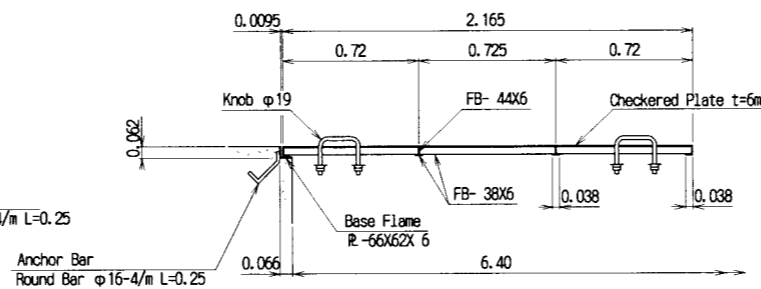
DETAILED PLAN OF COVER
SCALE 1:40



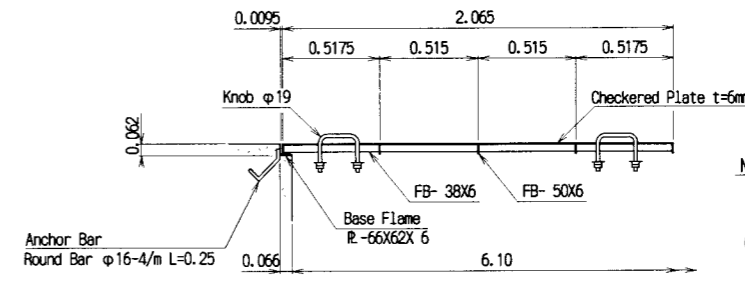
DETAILED PLAN OF COVER
SCALE 1:40



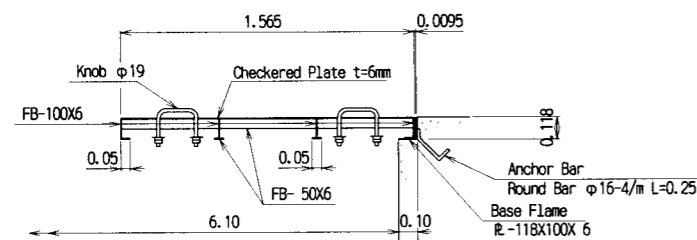
SECTION A-A
SCALE 1:40



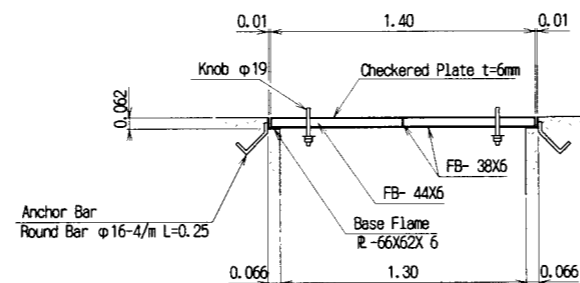
SECTION C-C
SCALE 1:40



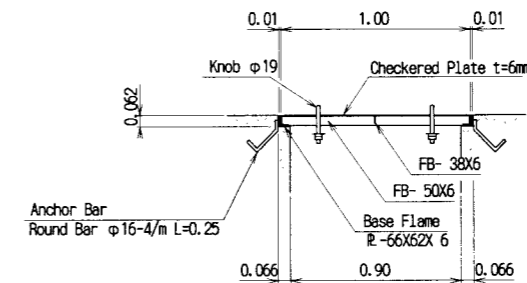
SECTION E-E
SCALE 1:40



SECTION B-B
SCALE 1:40



SECTION D-D
SCALE 1:40



SECTION F-F
SCALE 1:40

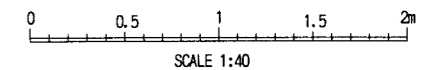
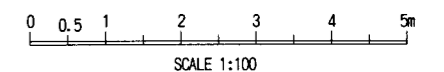
GATE STORAGE COVER (6.10 X 3.00)

GATE HATCH ① (6.40 X 1.30)

GATE HATCH ② (6.10 X 0.90)

NOTES:

1. This drawing scales are as follows :



THE ARAB REPUBLIC OF EGYPT
MINISTRY OF WATER RESOURCES AND IRRIGATION
NORTH SINAI DEVELOPMENT ORGANIZATION

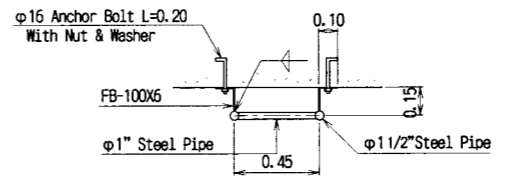
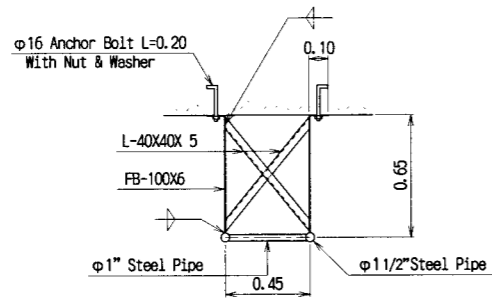
THE NORTH SINAI INTEGRATED RURAL
DEVELOPMENT PROJECT (PHASE III)

CONVEYANCE SYSTEM OF EL SHEIKH GABER EL SABBABH CANAL
BETWEEN KM 108.466 AND KM 118.560
EL SALAAM No. 7 (BIR EL ABD) PUMPING STATION

PUMPING STATION
PIT COVER DETAILS (3/3)

JAPAN INTERNATIONAL COOPERATION AGENCY (JICA)
SANYU CONSULTANTS INC. PACIFIC CONSULTANTS INTERNATIONAL

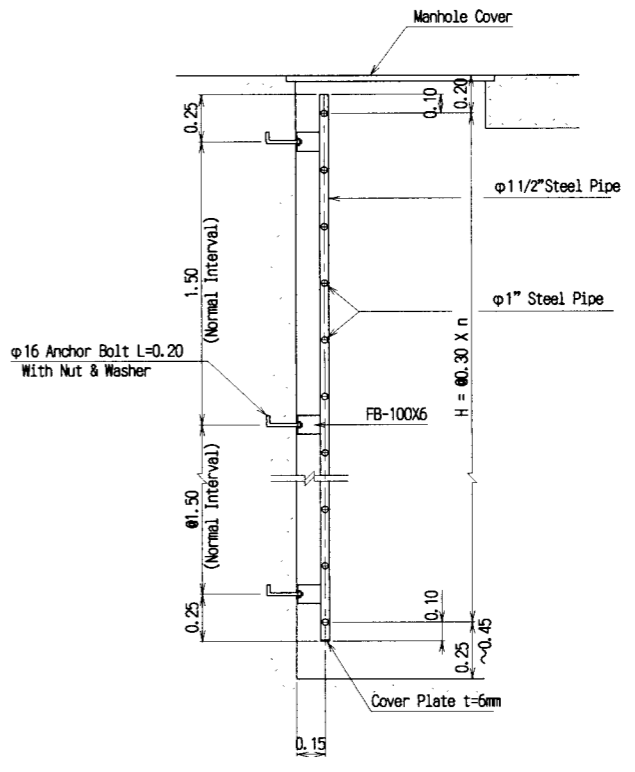
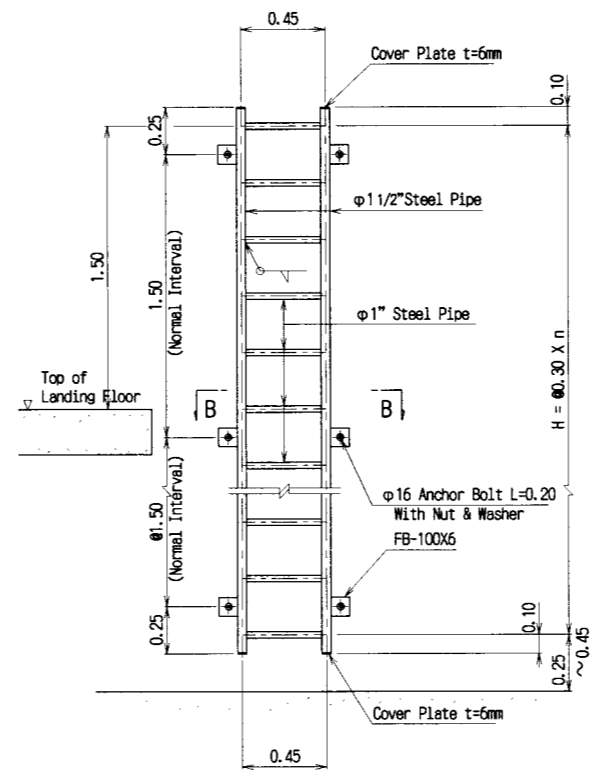
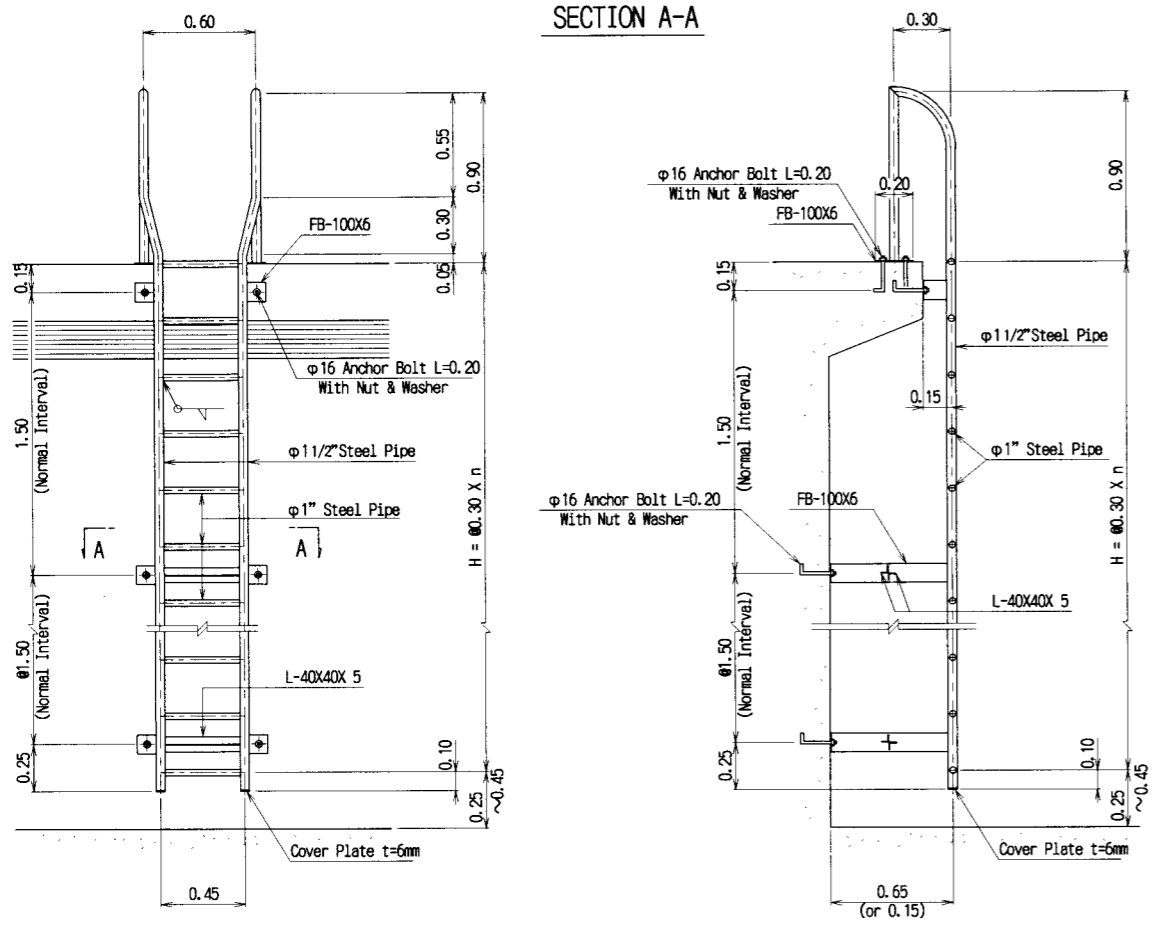
DESIGNED	
TRACED	
CHECKED	
APPROVED	
DRAWING NO.	PSC-241



NOTES;
 1. This drawing scale is as follows :
 0 0.5 1 1.5 2m
 SCALE 1:40

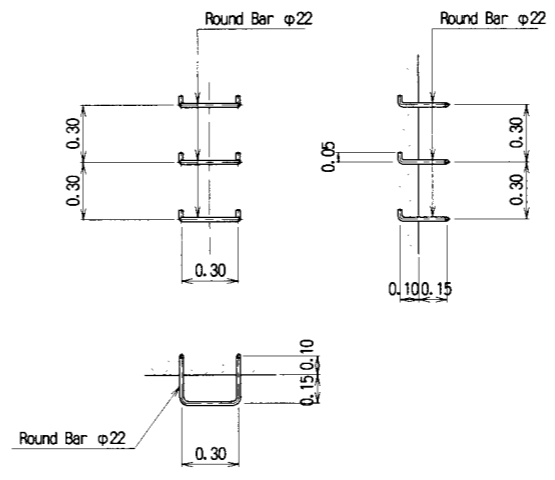
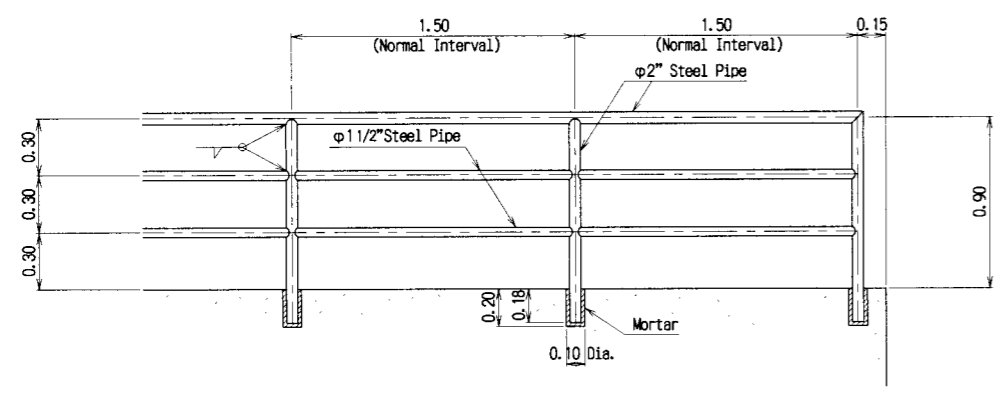
SECTION A-A

SECTION B-B



STEEL LADDER (TYPE-A)

STEEL LADDER (TYPE-B)



HANDRAIL

LADDER RUNG

THE ARAB REPUBLIC OF EGYPT MINISTRY OF WATER RESOURCES AND IRRIGATION NORTH SINAI DEVELOPMENT ORGANIZATION	
THE NORTH SINAI INTEGRATED RURAL DEVELOPMENT PROJECT (PHASE III)	
CONVEYANCE SYSTEM OF EL SHEIKH GABER EL SABBABH CANAL BETWEEN KM 108.456 AND KM 118.560 EL SALAAM No.7 (BIR EL ABD) PUMPING STATION	
PUMPING STATION MISCELLANIOUS STEEL DETAILS	
JAPAN INTERNATIONAL COOPERATION AGENCY (JICA) SANYU CONSULTANTS INC, PACIFIC CONSULTANTS INTERNATIONAL	
DESIGNED	
TRACED	
CHECKED	
APPROVED	
DRAWING NO.	PSC-242