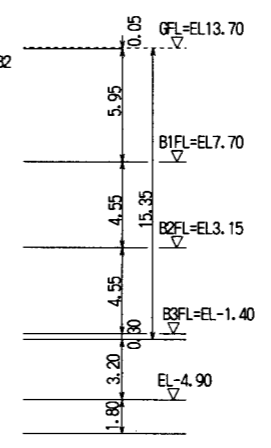
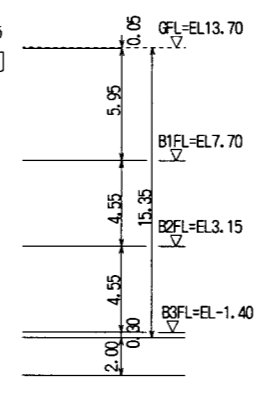


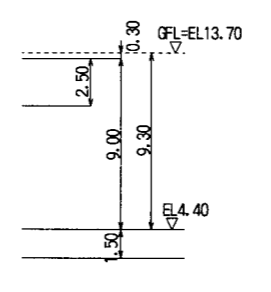
STRUCTURAL FRAMING CENTER (A)
SCALE 1:400



STRUCTURAL FRAMING MEDIUM (A~B)
SCALE 1:400



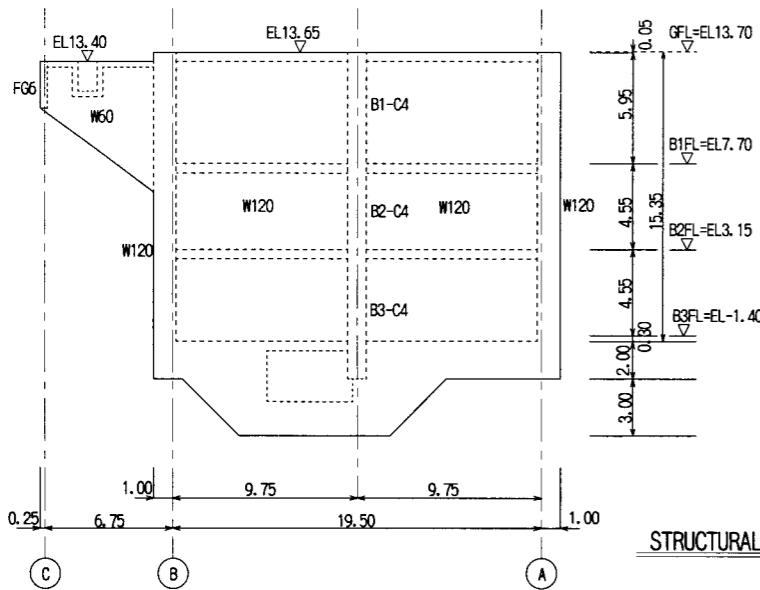
STRUCTURAL FRAMING CENTER (B)
SCALE 1:400



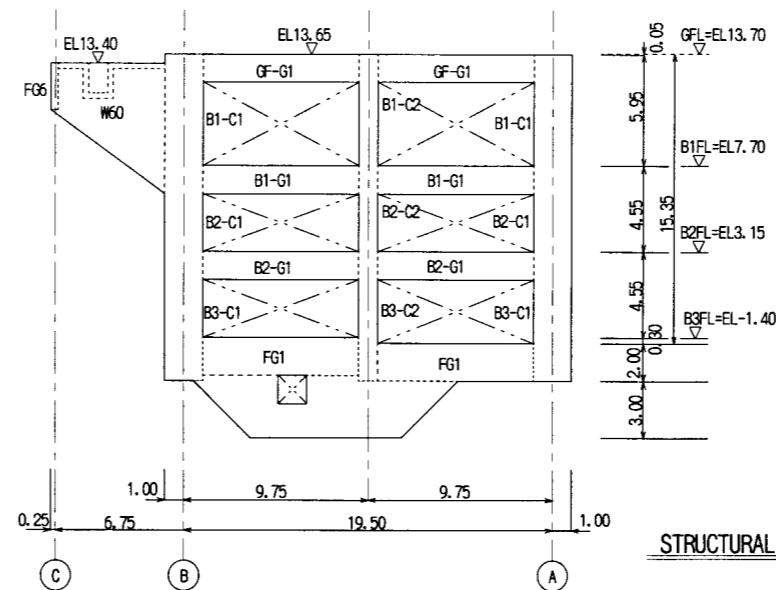
STRUCTURAL FRAMING CENTER (C)
SCALE 1:400

NOTES:
1. This drawing scale is 1:400.
0 10.00m 20.00m
SCALE 1:400

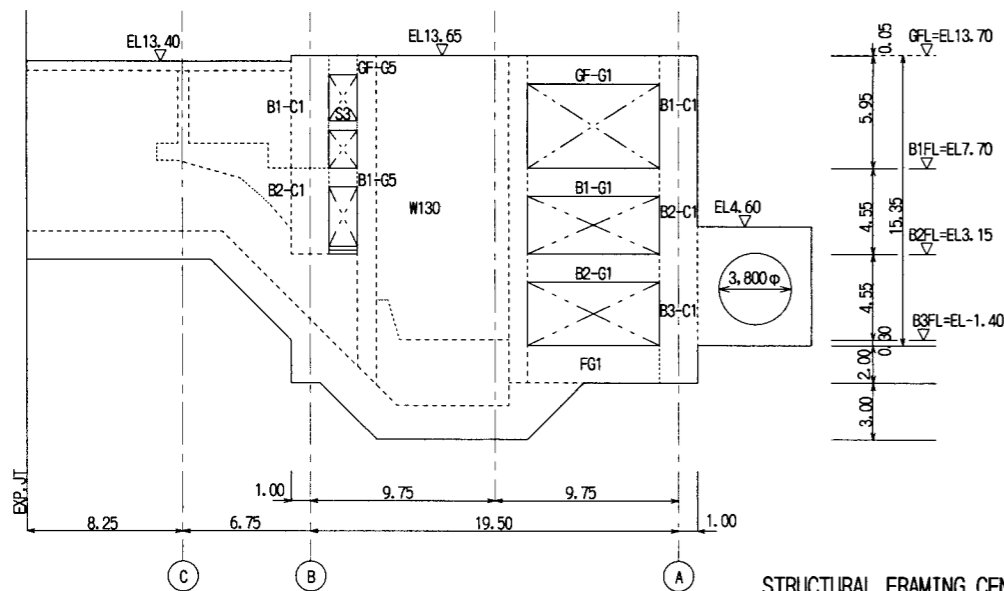
THE ARAB REPUBLIC OF EGYPT MINISTRY OF WATER RESOURCES AND IRRIGATION NORTH SINAI DEVELOPMENT ORGANIZATION	
THE NORTH SINAI INTEGRATED RURAL DEVELOPMENT PROJECT (PHASE III)	
CONVEYANCE SYSTEM OF EL SHEIKH GABER EL SABBAH CANAL BETWEEN KM 108.466 AND KM 118.560 EL SALAAM No. 7 (BIR EL ABD) PUMPING STATION	
PUMPING STATION FRAMING ELEVATION OF PUMP ROOM(1/2)	
JAPAN INTERNATIONAL COOPERATION AGENCY(JICA) SANYU CONSULTANTS INC, PACIFIC CONSULTANTS INTERNATIONAL	
DESIGNED	
TRACED	
CHECKED	
APPROVED	
DRAWING NO.	PSC-222



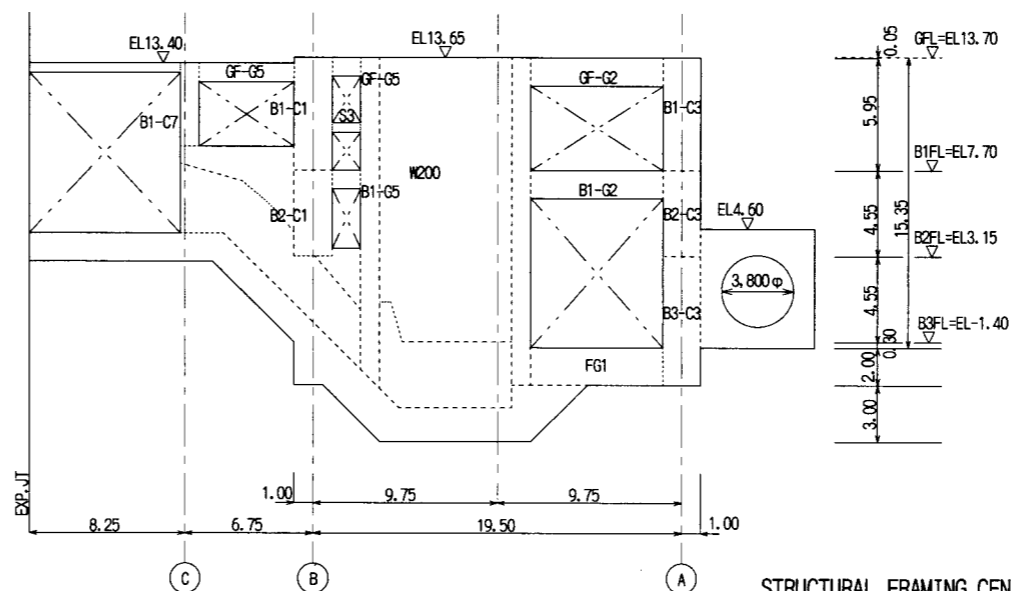
STRUCTURAL FRAMING CENTER ⑨
SCALE 1:400



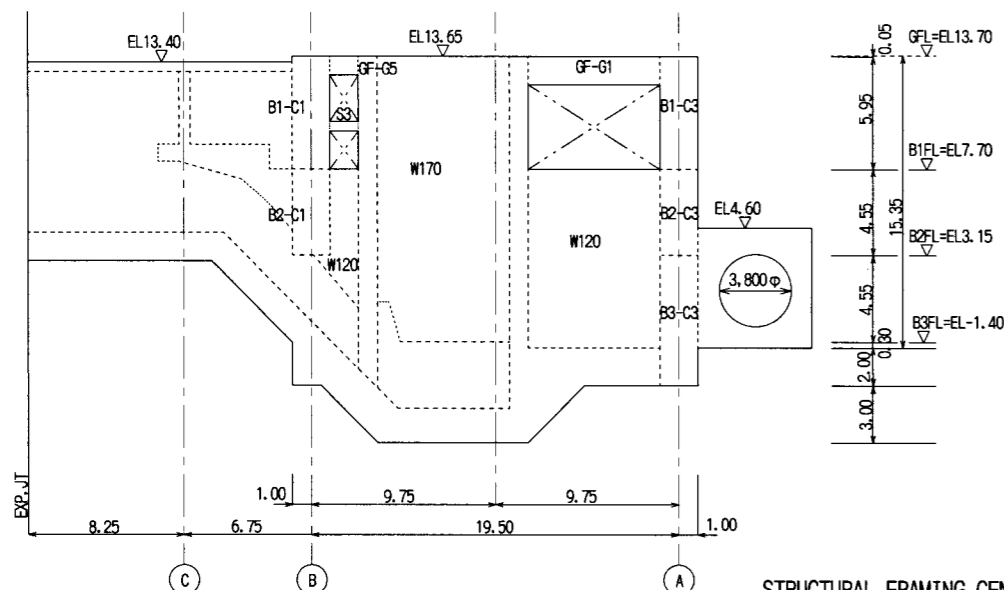
STRUCTURAL FRAMING CENTER ⑧
SCALE 1:400



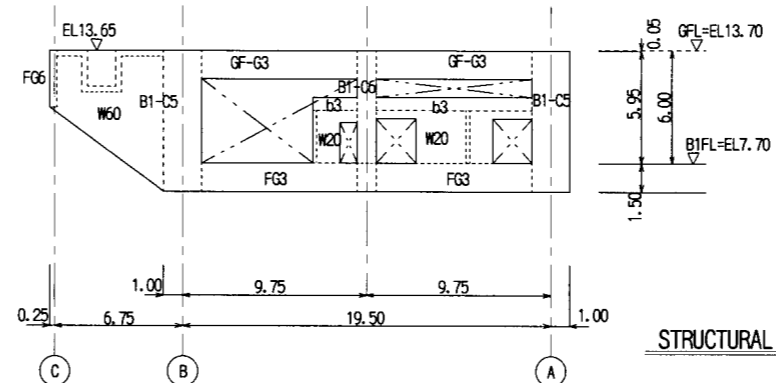
STRUCTURAL FRAMING CENTER ⑦
SCALE 1:400



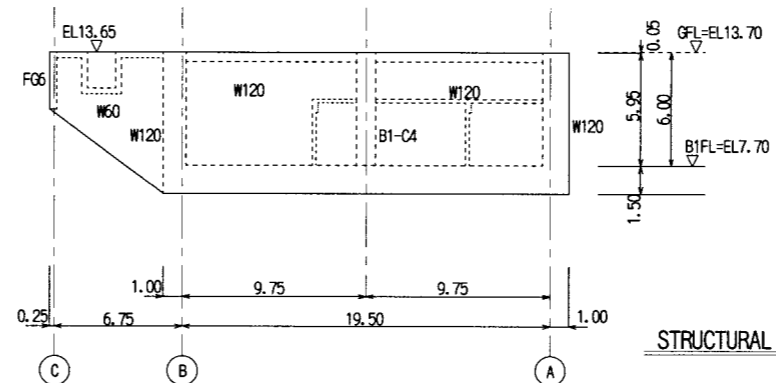
STRUCTURAL FRAMING CENTER ④⑤⑥
SCALE 1:400



STRUCTURAL FRAMING CENTER ③
SCALE 1:400



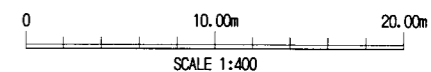
STRUCTURAL FRAMING CENTER ②
SCALE 1:400



STRUCTURAL FRAMING CENTER ①
SCALE 1:400

NOTES:

1. This drawing scale is 1:400.

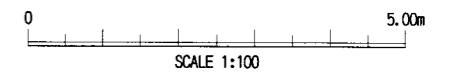


THE ARAB REPUBLIC OF EGYPT MINISTRY OF WATER RESOURCES AND IRRIGATION NORTH SINAI DEVELOPMENT ORGANIZATION	
THE NORTH SINAI INTEGRATED RURAL DEVELOPMENT PROJECT (PHASE III)	
CONVEYANCE SYSTEM OF EL SHEIKH GABER EL SABBABH CANAL BETWEEN KM 108.466 AND KM 118.560 EL SALAAM No. 7 (BIR EL ABD) PUMPING STATION	
PUMPING STATION FRAMING ELEVATION OF PUMP ROOM(2/2)	
JAPAN INTERNATIONAL COOPERATION AGENCY(JICA) SANYU CONSULTANTS INC, PACIFIC CONSULTANTS INTERNATIONAL	
DESIGNED	
TRACED	
CHECKED	
APPROVED	
DRAWING NO.	PSC-223

GIRDER LIST		SCALE 1:100													
Number		G1			G2			G3		G4		G5		G6	
Section		OUTSIDE	CENTER	INSIDE	OUTSIDE	CENTER	INSIDE	BOTH END	CENTER	BOTH END	CENTER	BOTH END	CENTER	BOTH END	CENTER
GROUND F															
	B×D(m)	0.80×1.50			0.80×1.50			0.80×1.50		0.80×1.50		0.80×1.00			
	Top	12 D28	6 D28	8 D28	10 D28	5 D28	6 D28	10 D28	6 D28	8 D25	5 D25	5 D25	5 D25		
	Bottom	8 D28	8 D28	6 D28	6 D28	5 D28	5 D28	6 D28	7 D28	5 D25	5 D25	5 D25	5 D25		
	Stirrup	5 D13/m			5 D13/m			5 D13/m		5 D13/m		5 D13/m			
	Web Bar	4 D16			4 D16			4 D16		4 D16		4-D16			
Ties	2-2 D13/m			2-2 D13/m			2-2 D13/m		2-2 D13/m		2-2 D13/m				
B1F															
	B×D(m)	0.80×1.50			0.80×1.50					0.80×1.50		0.80×1.00			
	Top	10 D25	5 D25	10 D25	10 D25	5 D25	10 D25			8 D25	5 D25	5 D25	5 D25		
	Bottom	6 D25	10 D25	6 D25	6 D25	6 D25	6 D25			5 D25	5 D25	5 D25	5 D25		
	Stirrup	5 D13/m			5 D13/m					5 D13/m		5 D13/m			
	Web Bar	4 D16			4 D16					4 D16		4-D16			
Ties	2-2 D13/m			2-2 D13/m					2-2 D13/m		2-2 D13/m				
B2F															
	B×D(m)	0.80×1.50								0.80×1.50					
	Top	11 D25	5 D25	11 D25						8 D25	5 D25				
	Bottom	6 D25	10 D25	6 D25						5 D25	5 D25				
	Stirrup	5 D13/m								5 D13/m					
	Web Bar	4 D16								4 D16					
Ties	2-2 D13/m								2-2 D13/m						
FG															
	B×D(m)	0.80×2.00			0.80×2.00			0.80×1.50		0.80×2.00				0.40×2.50	
	Top	6 D25	6 D25	6 D25	10 D25	5 D25	10 D25	5 D25	5 D25	6 D25	6 D25			4 D25	4 D25
	Bottom	6 D25	6 D25	6 D25	6 D25	8 D25	6 D25	5 D25	5 D25	6 D25	6 D25			4 D25	4 D25
	Stirrup	5 D13/m			5 D13/m			5 D13/m		5 D13/m				5 D13/m	
	Web Bar	6 D16			6 D16			4 D16		6 D16				6 D16	
Ties	3-2 D13/m			3-2 D13/m			2-2 D13/m		3-2 D13/m				3-2 D13/m		

NOTES:

1. This drawing scale is 1:100.



2. This drawing column and girder reinforcement reference of drawing No PSC-214

COLUMN LIST		SCALE 1:100			
Number		C1 C5	C2 C6 C7	C3	C4
Section B1F					
	X×Y(m)	2.00×1.00	1.00×1.00	2.00×1.00	1.00×1.50
	Main Bar	24 D25	16 D25	24 D25	20 D25
	Hoop	10 D13/m	10 D13/m	10 D13/m	10 D13/m
	Ties	2-2 D13/m	2-2 D13/m	2-2 D13/m	2-2 D13/m
Section B2F					
	X×Y(m)	2.00×1.00	1.00×1.00	2.00×1.00	1.00×1.50
	Main Bar	24 D25	16 D25	28 D25	20 D25
	Hoop	10 D13/m	10 D13/m	10 D13/m	10 D13/m
	Ties	2-2 D13/m	2-2 D13/m	2-2 D13/m	2-2 D13/m
Section B3F					
	X×Y(m)	2.00×1.00	1.00×1.00	2.00×1.00	1.00×1.50
	Main Bar	24 D25	16 D25	28 D25	20 D25
	Hoop	10 D13/m	10 D13/m	10 D13/m	10 D13/m
	Ties	2-2 D13/m	2-2 D13/m	2-2 D13/m	2-2 D13/m

THE ARAB REPUBLIC OF EGYPT
 MINISTRY OF WATER RESOURCES AND IRRIGATION
 NORTH SINAI DEVELOPMENT ORGANIZATION

THE NORTH SINAI INTEGRATED RURAL
 DEVELOPMENT PROJECT (PHASE III)

CONVEYANCE SYSTEM OF EL SHEIKH GABER EL SABBAH CANAL
 BETWEEN KM 108.466 AND KM 118.560
 EL SALAAM No. 7 (BIR EL ABD) PUMPING STATION

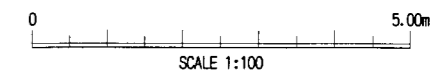
PUMPING STATION
 PUMP ROOM-REINFORCEMENTS(1/8)

JAPAN INTERNATIONAL COOPERATION AGENCY(JICA)
 SANYU CONSULTANTS INC, PACIFIC CONSULTANTS INTERNATIONAL

DESIGNED	
TRACED	
CHECKED	
APPROVED	
DRAWING NO.	PSC-224

NOTES:

1. This drawing scale is 1:100.



2. This drawing beam, wall and slab reinforcement reference of drawing No PSC-214

BEAM LIST													SCALE 1:100			
Number	b1		b2		b3	b4	FB1	FB2		FB3	CFG1 CFG2 CFB1	Cb1				
	BOTH END	CENTER	BOTH END	CENTER	ALL	ALL	ALL	BOTH END	CENTER	ALL	ALL	ALL				
GROUND F																
	B×D(m)	0.50×1.00		0.50×1.00		0.30×0.70	0.50×0.80	0.30×1.80	0.40×1.00		0.40×1.00	0.40×1.50~1.00		1.00×2.50		
	Top	9 D28	5 D28	7 D25	4 D25	3 D22	5 D25	3 D22	4 D22	4 D22	4 D25	7 D25		12 D28		
	Bottom	6 D28	7 D28	5 D25	6 D25	3 D22	5 D25	3 D22	4 D22	7 D22	4 D25	4 D25		7 D28		
	Stirrup	5 D13/m		5 D13/m		5 D10/m	5 D13/m	5 D10/m	5 D13/m		5 D10/m	5 D13/m		7 D13/m		
	Web Bar	4 D13		4 D13		2 D10	2 D13	6 D13	4 D13		6 D13	6 D13		4 D13		
Ties	2-2 D10/m		2-2 D10/m		2-2 D10/m	3-2 D10/m	3-2 D10/m	2-2 D10/m		3-2 D10/m	3-2 D10/m		3-2 D10/m			

SLAB LIST							
Number	Thickness(m)	Section	MAIN BAR		DISTRIBUTING BAR		NOTE
			BOTH END	CENTER	BOTH END	CENTER	
S1	0.50	Top	6 D19/m	6 D19/m	5 D16/m	5 D16/m	
		Bottom	6 D19/m	6 D19/m	5 D16/m	5 D16/m	
S2	0.50	Top	6 D16/m	6 D16/m	6 D16/m	6 D16/m	
		Bottom	6 D16/m	6 D16/m	6 D16/m	6 D16/m	
S3	0.50	Top	5 D16/m	5 D16/m	5 D16/m	5 D16/m	
		Bottom	5 D16/m	5 D16/m	5 D16/m	5 D16/m	
S4	0.30	Top	5 D13/m	5 D13/m	5 D13/m	5 D13/m	
		Bottom	5 D13/m	5 D13/m	5 D13/m	5 D13/m	
S5	0.50	Top	5 D16/m	5 D16/m	5 D16/m	5 D16/m	
		Bottom	5 D16/m	5 D16/m	5 D16/m	5 D16/m	
CS1	0.50	Top	7 D19/m	7 D19/m	5 D16/m	5 D16/m	
		Bottom	7 D16/m	7 D16/m	5 D16/m	5 D16/m	
FS1	2.00	Top	7 D28/m	7 D28/m	7 D28/m	7 D28/m	
		Bottom	10 D28/m	10 D28/m	10 D28/m	10 D28/m	
FS2	2.00	Top	7 D22/m	7 D22/m	7 D22/m	7 D22/m	
		Bottom	7 D22/m	7 D22/m	7 D22/m	7 D22/m	
FS3	1.50	Top	7 D22/m	7 D22/m	7 D22/m	7 D22/m	
		Bottom	10 D22/m	10 D22/m	10 D22/m	10 D22/m	

WALL LIST							SCALE 1:100		
Number	Section	W20	W60	W120	W120A	W100 W130 W170 W200			
Thickness(m)		0.20	0.60	1.20	1.20	1.00 1.30 1.70 2.00			
Vertical	INSIDE	5 D13/m	5 D16/m	5 D19/m	7 D19/m	5 D19/m			
	OUTSIDE	5 D13/m	5 D16/m	5 D22/m	7 D22/m	5 D19/m			
Horizontal	INSIDE	5 D13/m	5 D16/m	5 D19/m	7 D19/m	5 D19/m			
	OUTSIDE	5 D13/m	5 D16/m	5 D19/m	7 D22/m	5 D19/m			
Ties		2 D10/m	2 D13/m	2 D16/m	2 D16/m	2 D16/m			

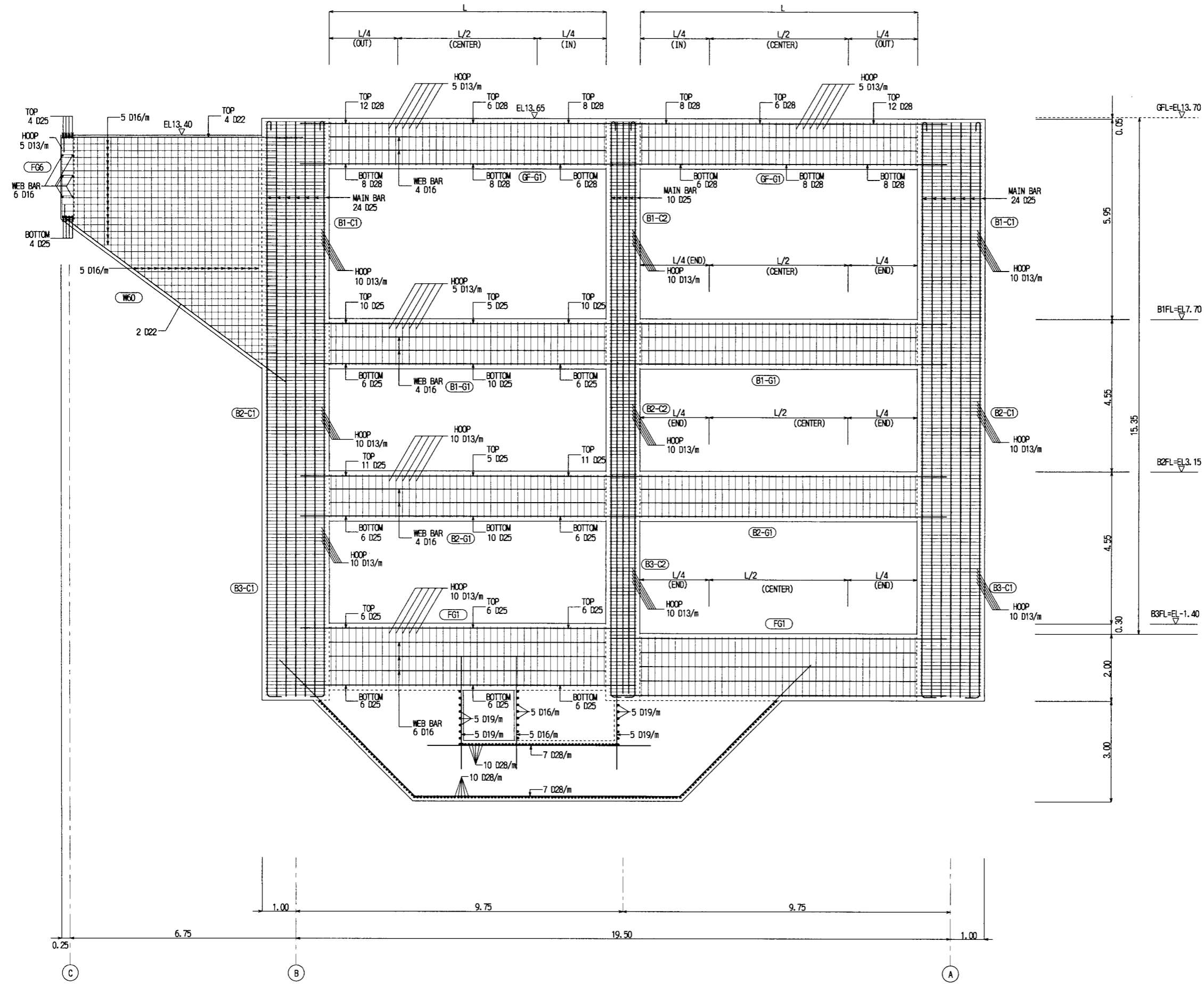
THE ARAB REPUBLIC OF EGYPT
 MINISTRY OF WATER RESOURCES AND IRRIGATION
 NORTH SINAI DEVELOPMENT ORGANIZATION

 THE NORTH SINAI INTEGRATED RURAL
 DEVELOPMENT PROJECT (PHASE III)

 CONVEYANCE SYSTEM OF EL SHEIKH GABER EL SABBAAH CANAL
 BETWEEN KM 108.466 AND KM 118.560
 EL SALAAM No. 7 (BIR EL ABD) PUMPING STATION
 PUMPING STATION
 PUMP ROOM-REINFORCEMENTS(2/8)

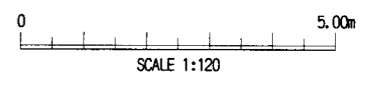
JAPAN INTERNATIONAL COOPERATION AGENCY(JICA)
 SANYU CONSULTANTS INC, PACIFIC CONSULTANTS INTERNATIONAL

DESIGNED	
TRACED	
CHECKED	
APPROVED	
DRAWING NO.	PSC-225



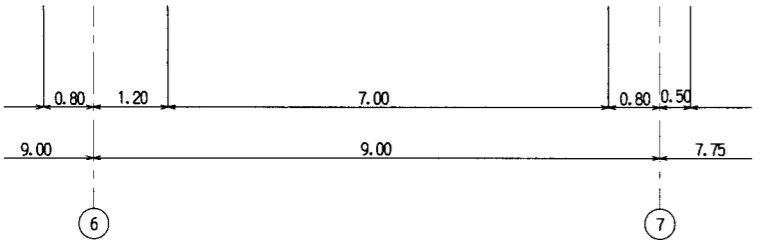
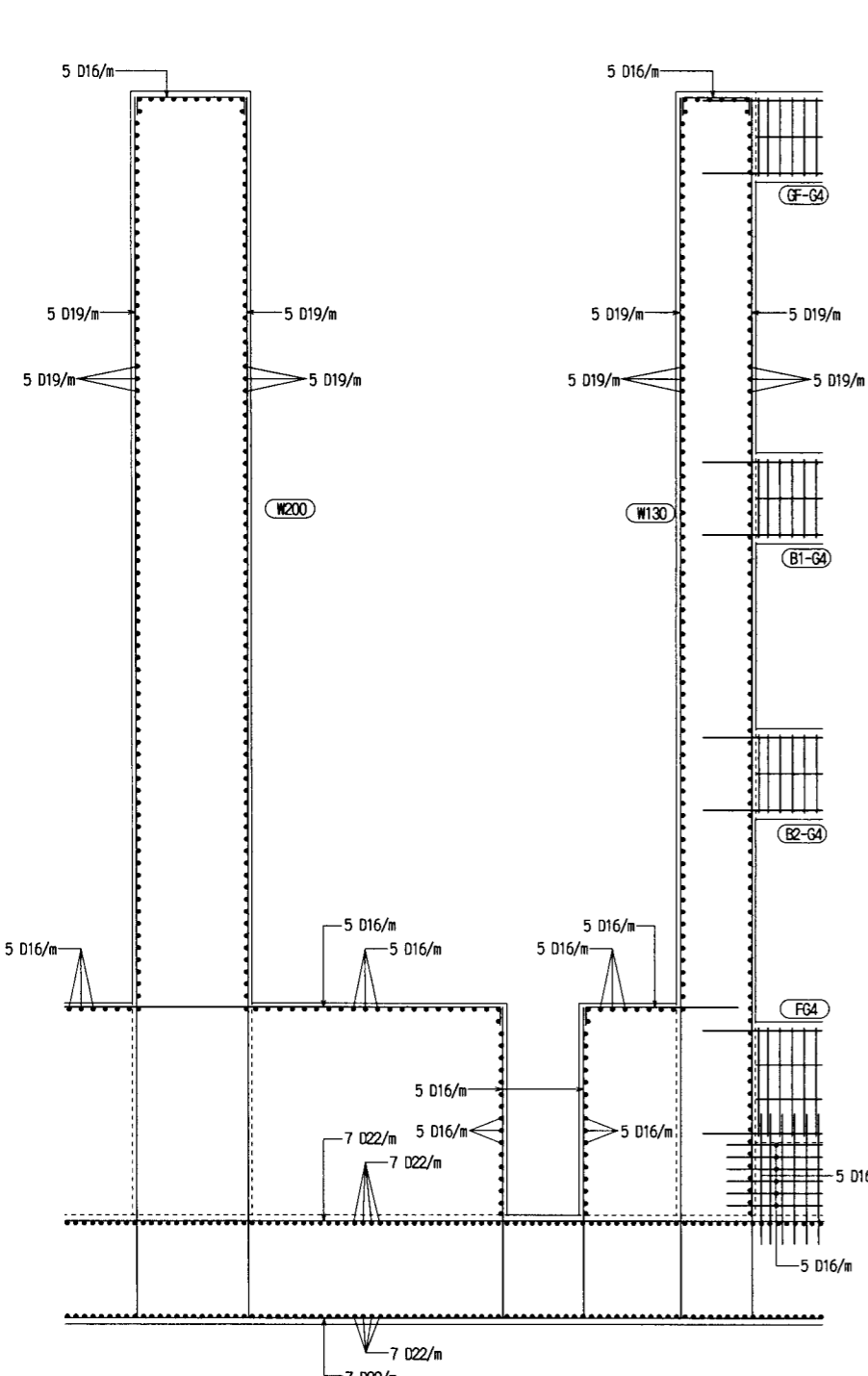
NOTES:

1. This drawing scale is 1:120.

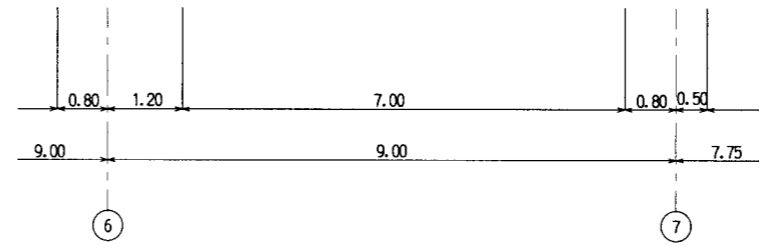
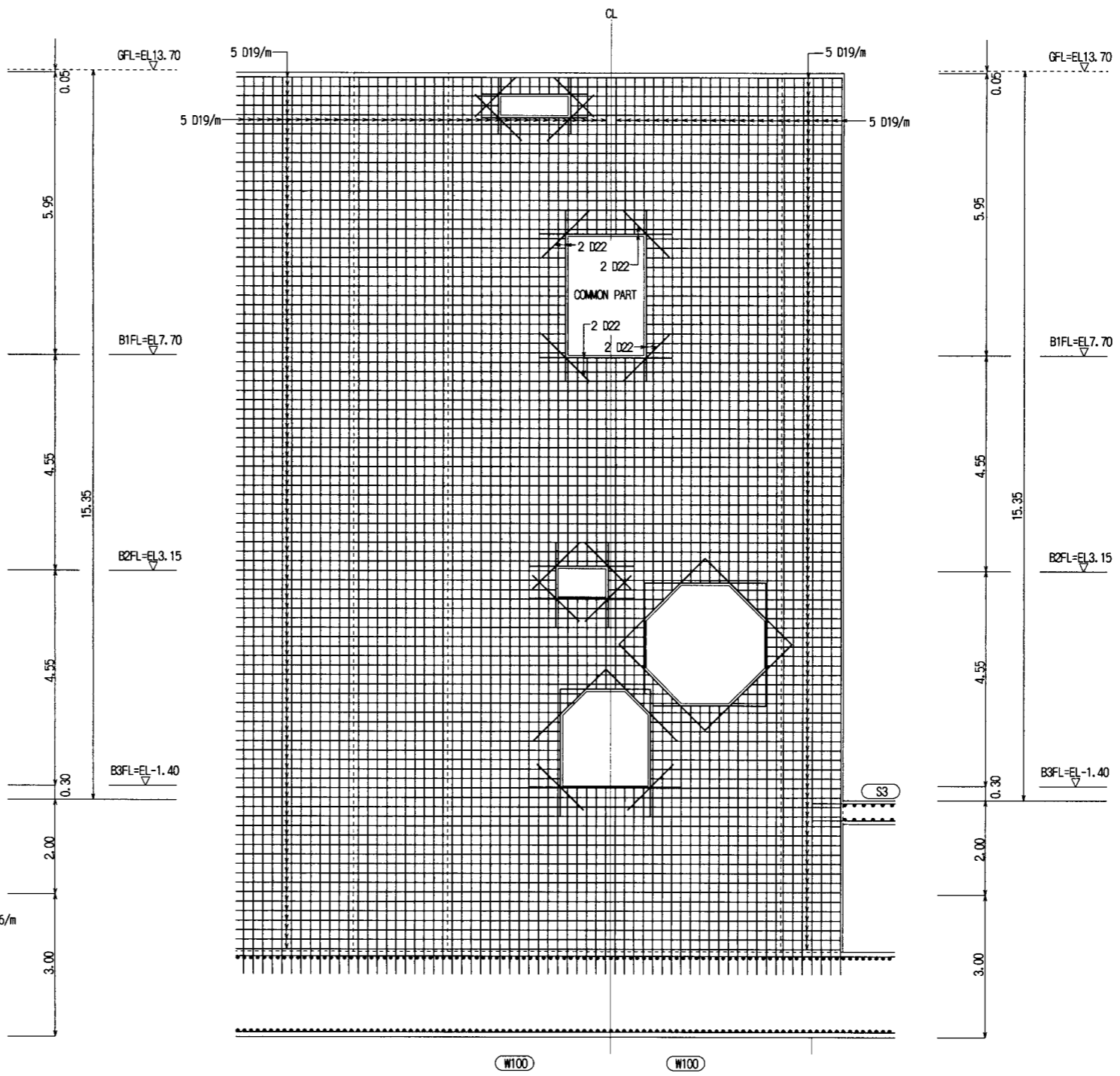


FRAMING (8) REINFORCEMENTS
SCALE 1:120

THE ARAB REPUBLIC OF EGYPT MINISTRY OF WATER RESOURCES AND IRRIGATION NORTH SINAI DEVELOPMENT ORGANIZATION	
THE NORTH SINAI INTEGRATED RURAL DEVELOPMENT PROJECT (PHASE III)	
CONVEYANCE SYSTEM OF EL SHEIKH GABER EL SABBABH CANAL BETWEEN KM 108.466 AND KM 118.560 EL SALAAM No. 7 (BIR EL ABD) PUMPING STATION PUMPING STATION PUMP ROOM-REINFORCEMENTS(3/8)	
JAPAN INTERNATIONAL COOPERATION AGENCY(JICA) SANYU CONSULTANTS INC, PACIFIC CONSULTANTS INTERNATIONAL	
DESIGNED	
TRACED	
CHECKED	
APPROVED	
DRAWING NO.	PSC-226



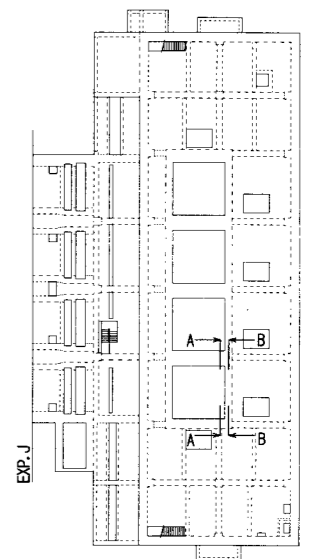
SECTION A-A
SCALE 1:120



SECTION B-B
SCALE 1:120

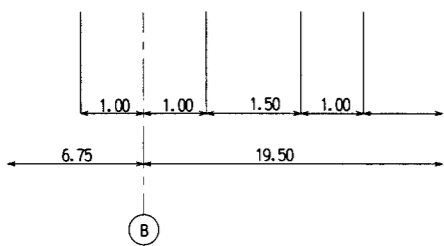
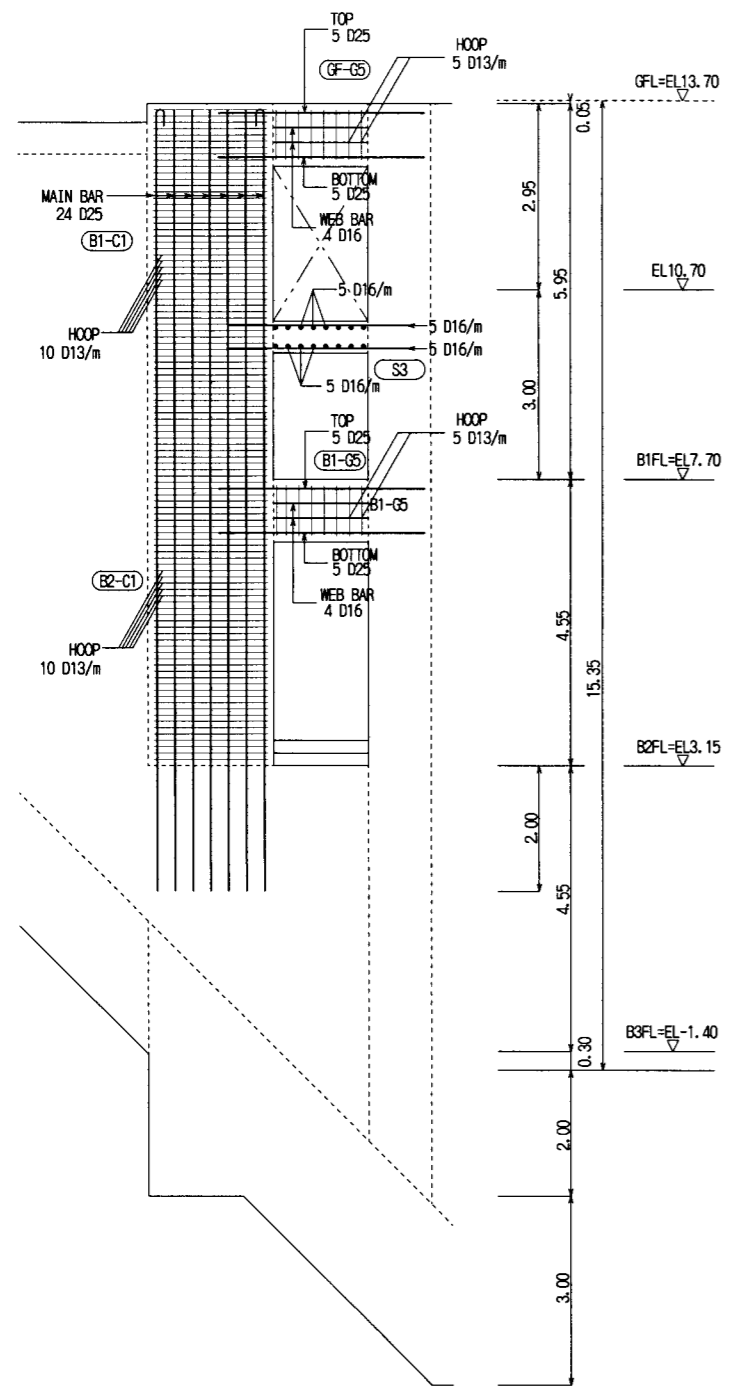
NOTES:
1. This drawing scale is 1:120.

SCALE 1:120

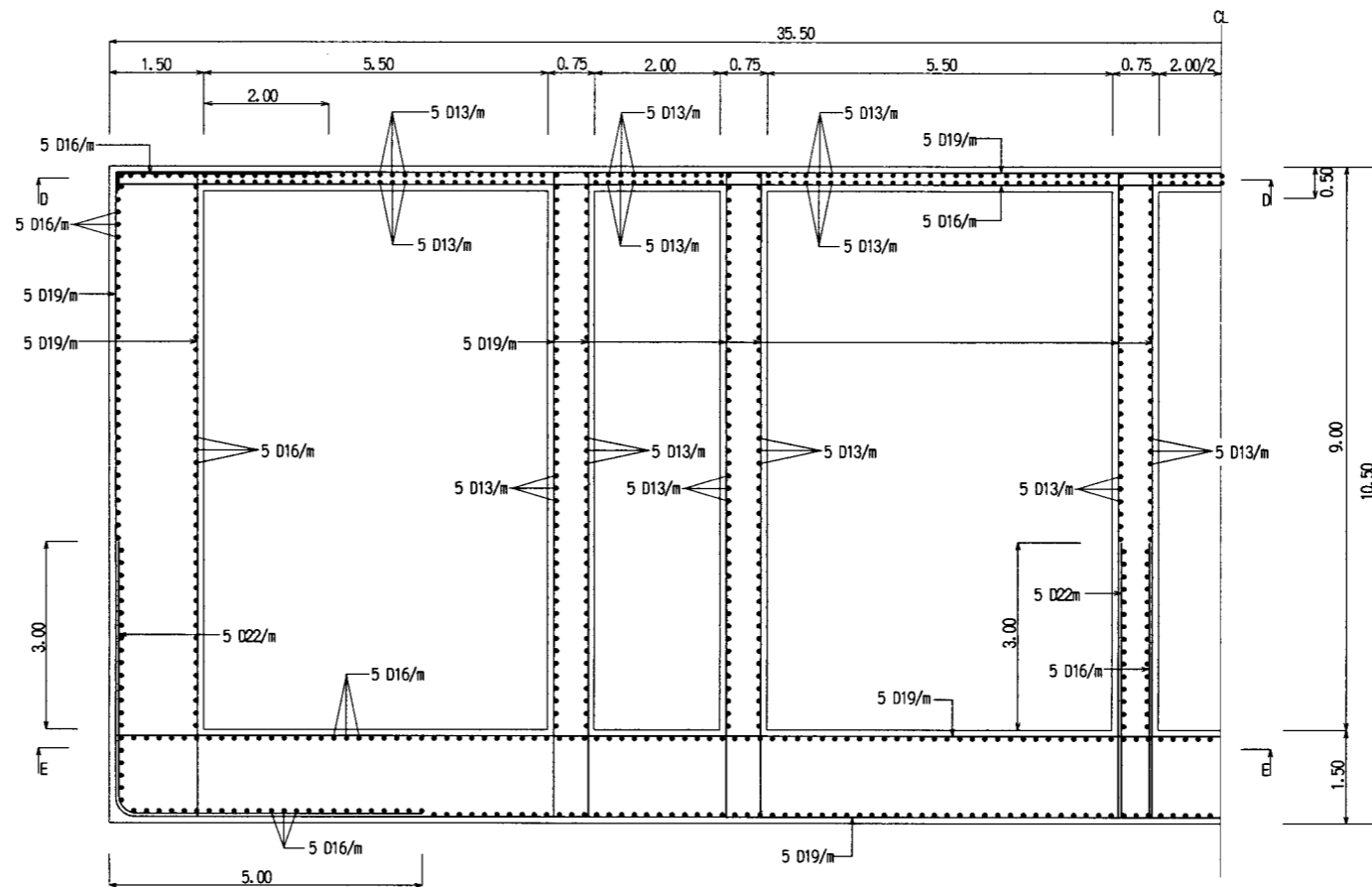


KEY PLAN

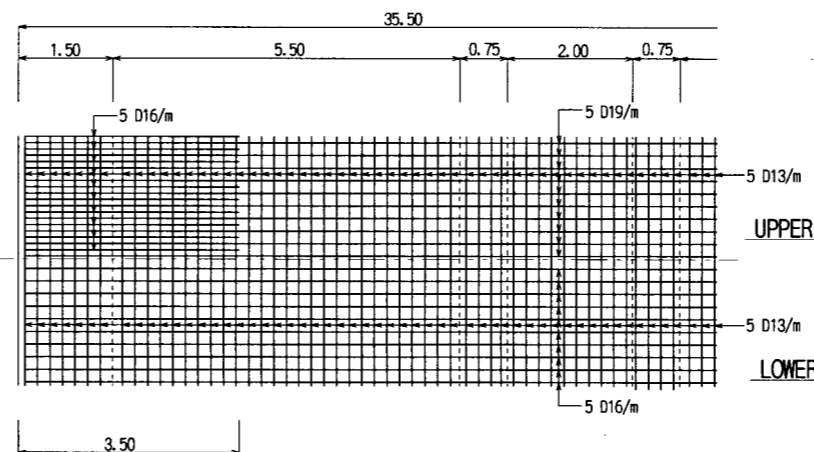
THE ARAB REPUBLIC OF EGYPT MINISTRY OF WATER RESOURCES AND IRRIGATION NORTH SINAI DEVELOPMENT ORGANIZATION	
THE NORTH SINAI INTEGRATED RURAL DEVELOPMENT PROJECT (PHASE III)	
CONVEYANCE SYSTEM OF EL SHEIKH GABER EL SABBABH CANAL BETWEEN KM 108.466 AND KM 118.560 EL SALAAM No. 7 (BIR EL ABD) PUMPING STATION PUMP ROOM-REINFORCEMENTS(4/8)	
JAPAN INTERNATIONAL COOPERATION AGENCY(JICA) SANYU CONSULTANTS INC, PACIFIC CONSULTANTS INTERNATIONAL	
DESIGNED	
TRACED	
CHECKED	
APPROVED	
DRAWING NO.	PSC-227



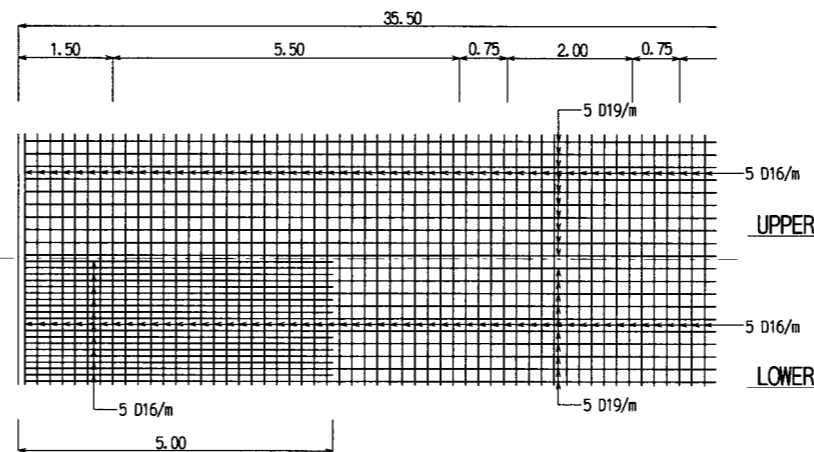
FRAMING ③④⑤⑥⑦ REINFORCEMENTS
SCALE 1:120



SECTION C-C
SCALE 1:120



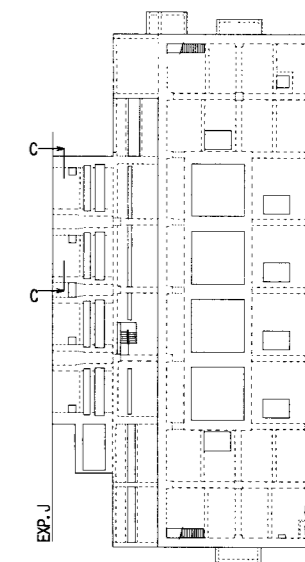
SECTION D-D
SCALE 1:120



SECTION E-E
SCALE 1:120

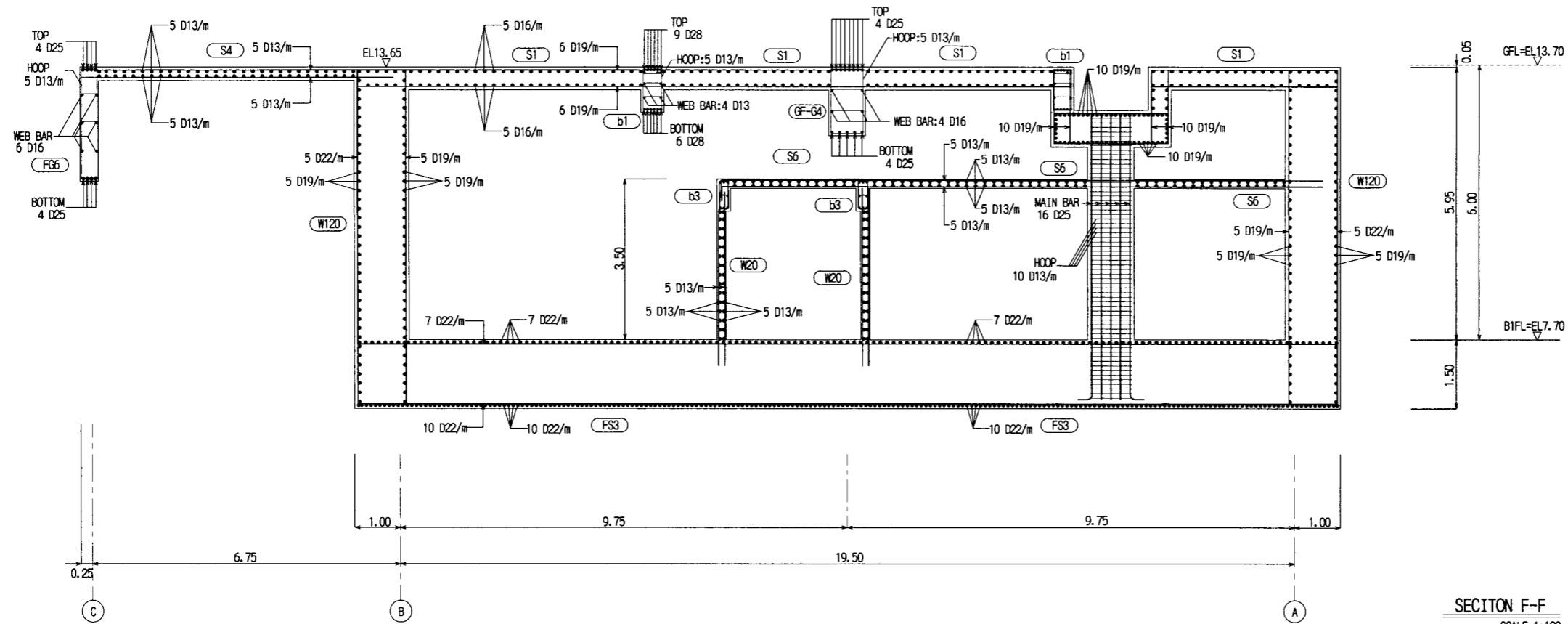
NOTES:

1. This drawing scale is 1:120.



KEY PLAN

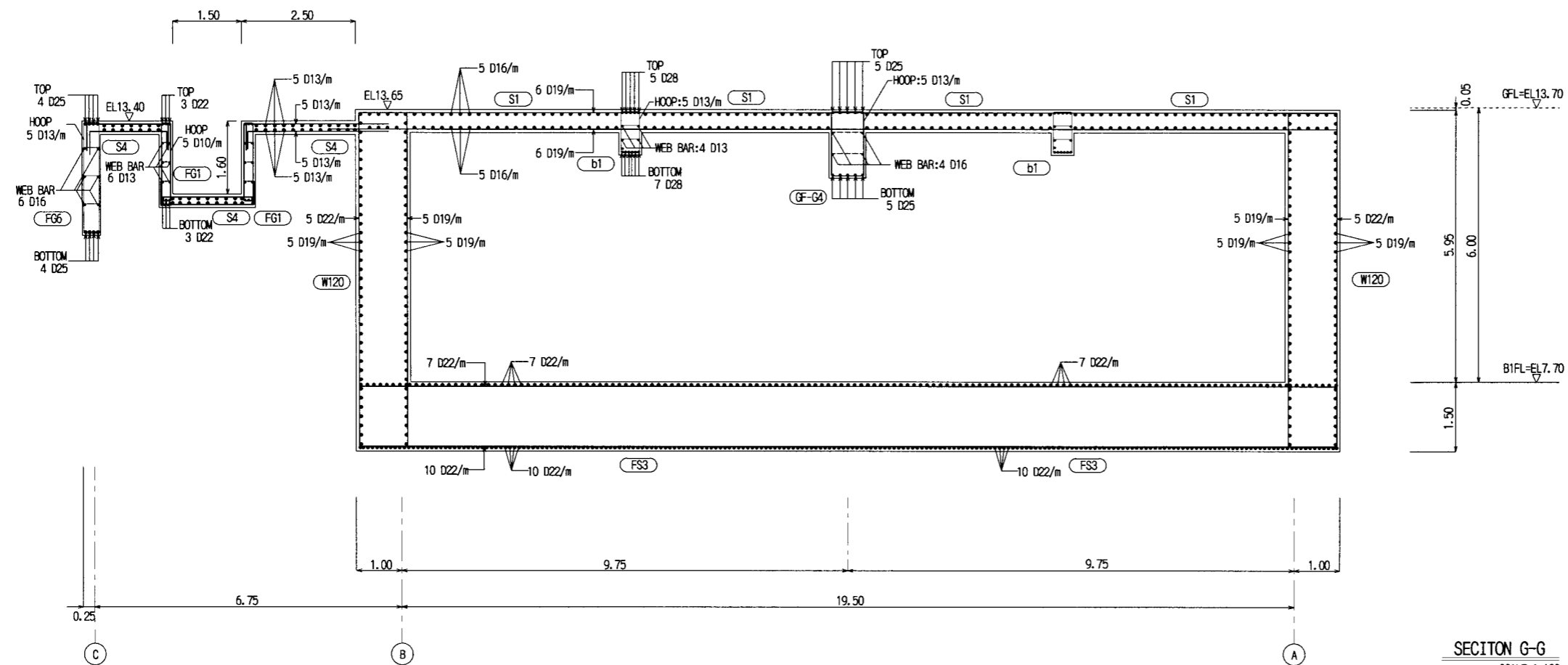
THE ARAB REPUBLIC OF EGYPT MINISTRY OF WATER RESOURCES AND IRRIGATION NORTH SINAI DEVELOPMENT ORGANIZATION THE NORTH SINAI INTEGRATED RURAL DEVELOPMENT PROJECT (PHASE III) CONVEYANCE SYSTEM OF EL SHEIKH GABER EL SABBAAH CANAL BETWEEN KM 108.466 AND KM 118.560 EL SALAAM No. 7 (BIR EL ABD) PUMPING STATION PUMP ROOM-REINFORCEMENTS(5/8)	
JAPAN INTERNATIONAL COOPERATION AGENCY(JICA) SANYU CONSULTANTS INC, PACIFIC CONSULTANTS INTERNATIONAL	
DESIGNED	
TRACED	
CHECKED	
APPROVED	
DRAWING NO.	PSC-228



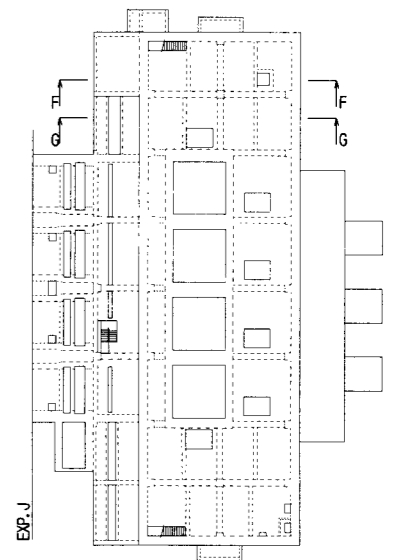
SECTION F-F
SCALE 1:120

NOTES:
1. This drawing scale is 1:120.

SCALE 1:120

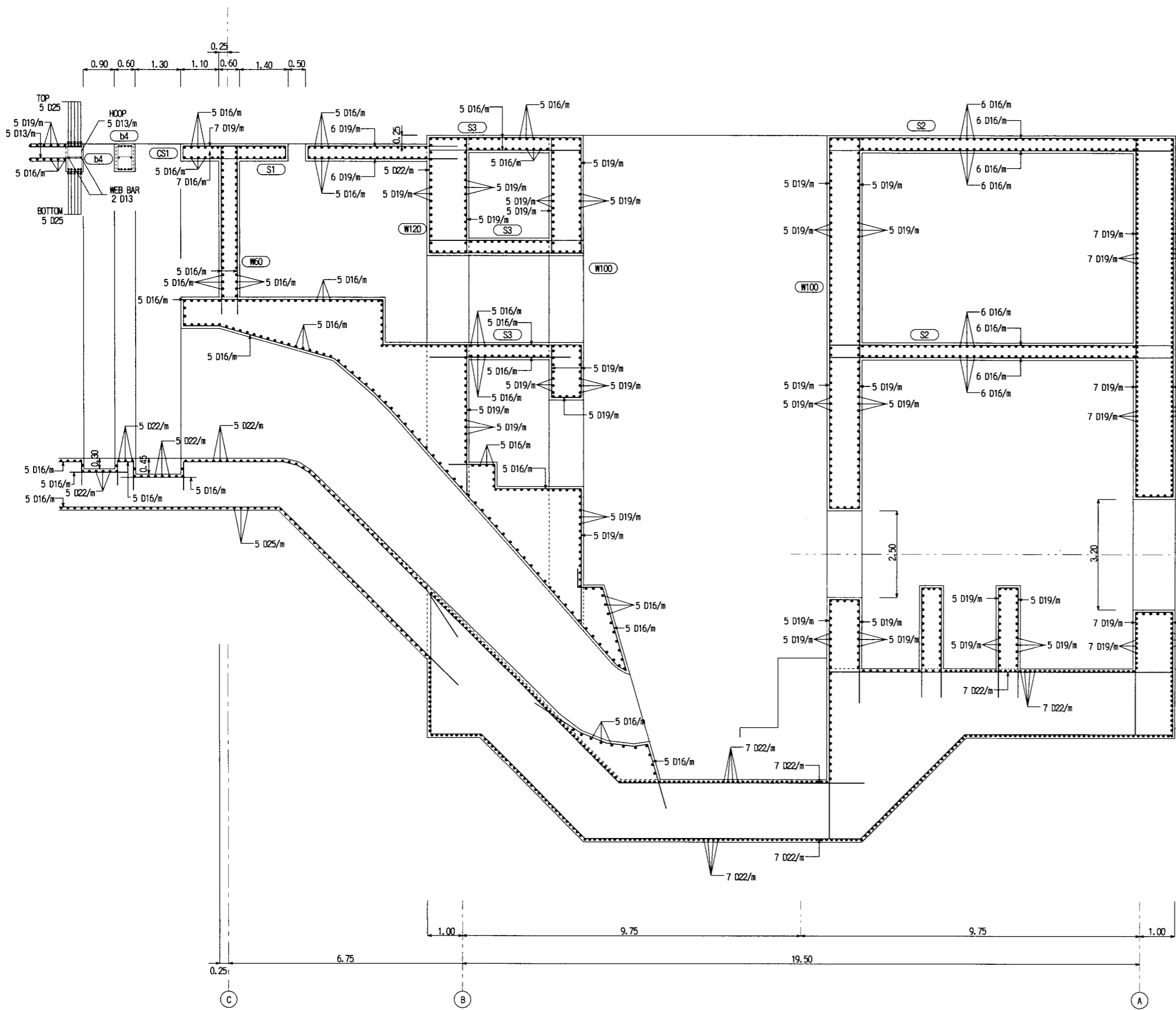


SECTION G-G
SCALE 1:120



KEY PLAN

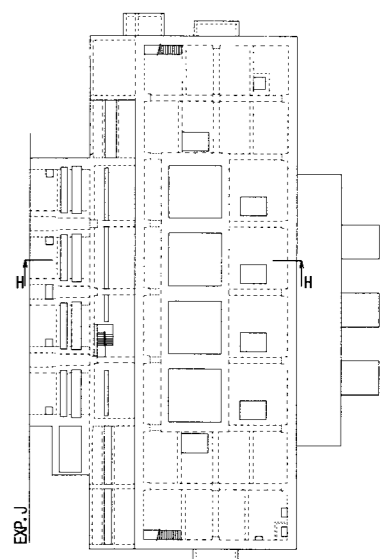
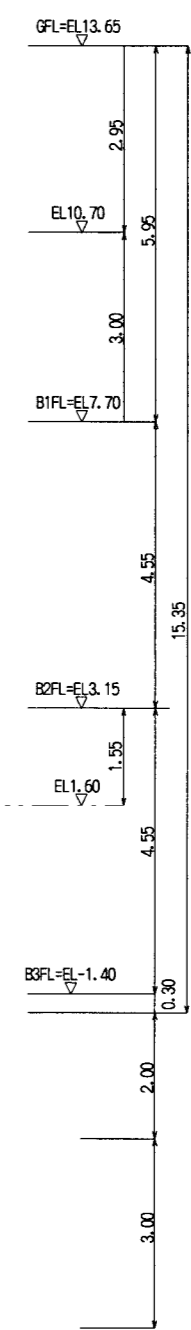
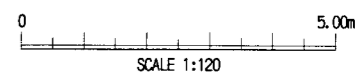
THE ARAB REPUBLIC OF EGYPT MINISTRY OF WATER RESOURCES AND IRRIGATION NORTH SINAI DEVELOPMENT ORGANIZATION	
THE NORTH SINAI INTEGRATED RURAL DEVELOPMENT PROJECT (PHASE III)	
CONVEYANCE SYSTEM OF EL SHEIKH GABER EL SABBAAH CANAL BETWEEN KM 108.466 AND KM 118.560 EL SALAAM No. 7 (BIR EL ABD) PUMPING STATION	
PUMP ROOM-REINFORCEMENTS(6/8)	
JAPAN INTERNATIONAL COOPERATION AGENCY(JICA) SANYU CONSULTANTS INC, PACIFIC CONSULTANTS INTERNATIONAL	
DESIGNED	
TRACED	
CHECKED	
APPROVED	
DRAWING NO.	PSC-229



SECTION H-H
SCALE 1:120

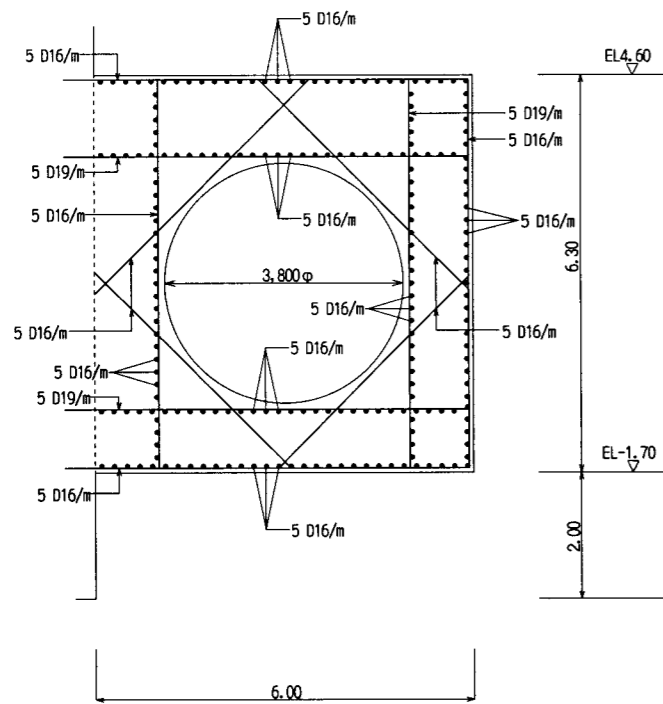
NOTES:

1. This drawing scale is 1:120.

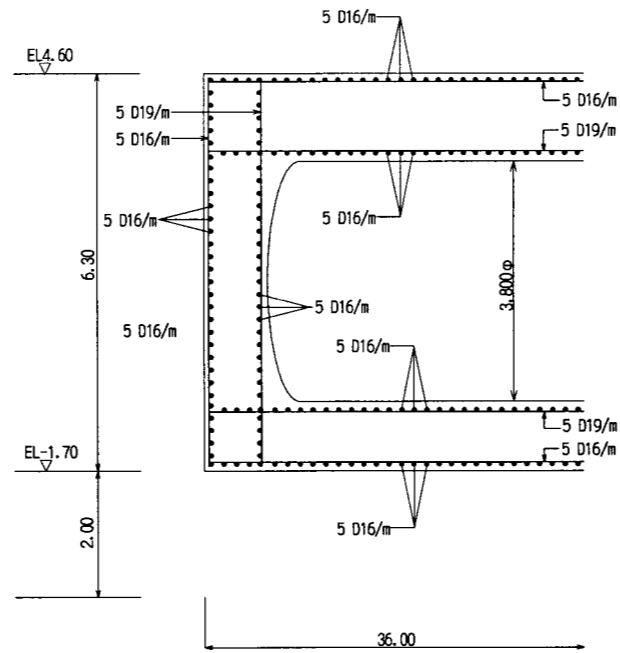


KEY PLAN

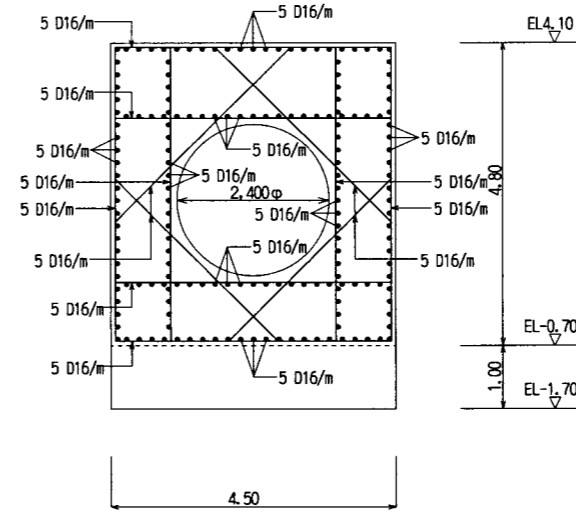
THE ARAB REPUBLIC OF EGYPT MINISTRY OF WATER RESOURCES AND IRRIGATION NORTH SINAI DEVELOPMENT ORGANIZATION	
THE NORTH SINAI INTEGRATED RURAL DEVELOPMENT PROJECT (PHASE III)	
CONVEYANCE SYSTEM OF EL SHEIKH GABER EL SABBAH CANAL BETWEEN KM 108.466 AND KM 118.560 EL SALAAM No. 7 (BIR EL ABD) PUMPING STATION PUMP ROOM-REINFORCEMENTS(7/8)	
JAPAN INTERNATIONAL COOPERATION AGENCY(JICA) SANYU CONSULTANTS INC, PACIFIC CONSULTANTS INTERNATIONAL	
DESIGNED	
TRACED	
CHECKED	
APPROVED	
DRAWING NO.	PSC-230



SECTION J-J
SCALE 1:120



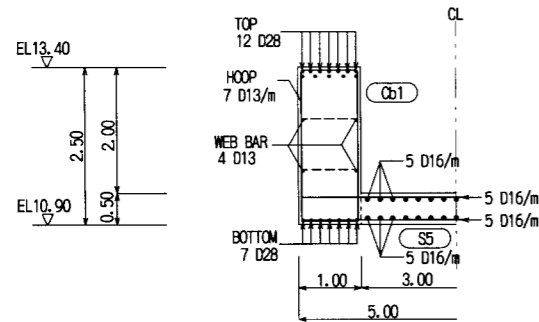
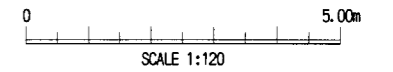
SECTION K-K
SCALE 1:120



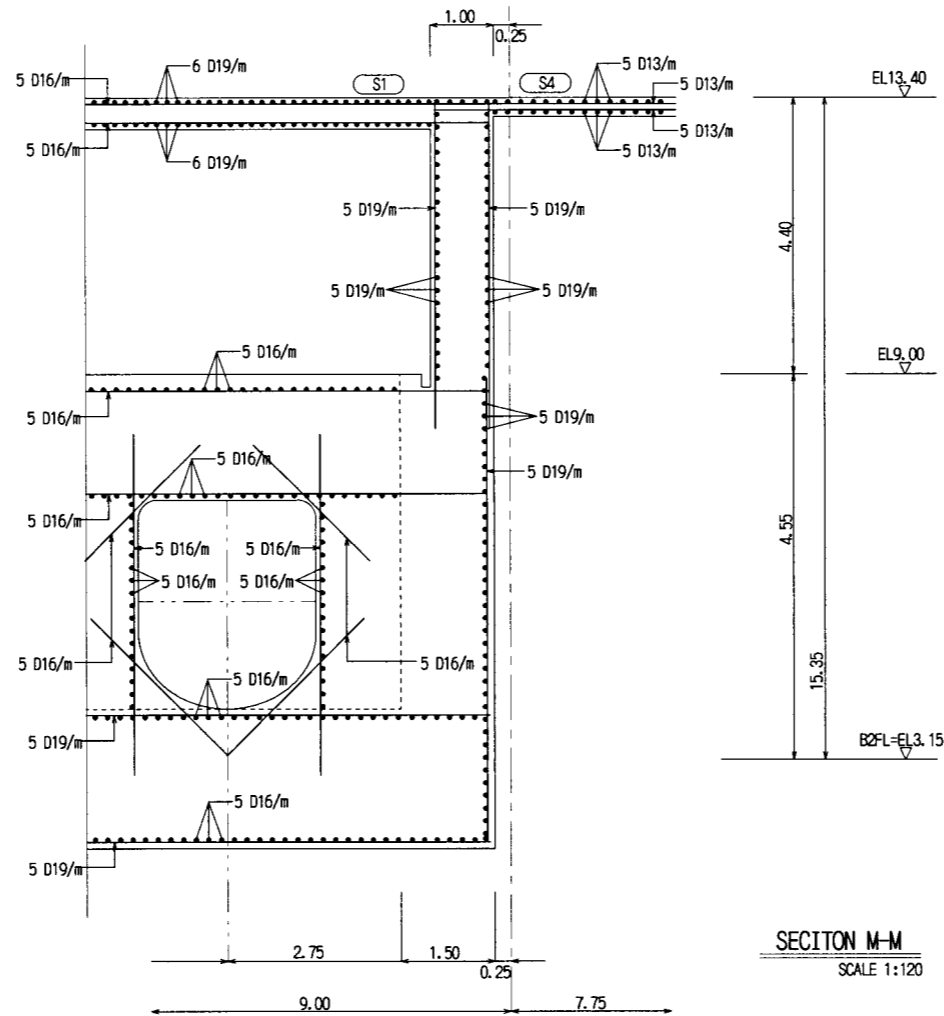
SECTION L-L
SCALE 1:120

NOTES:

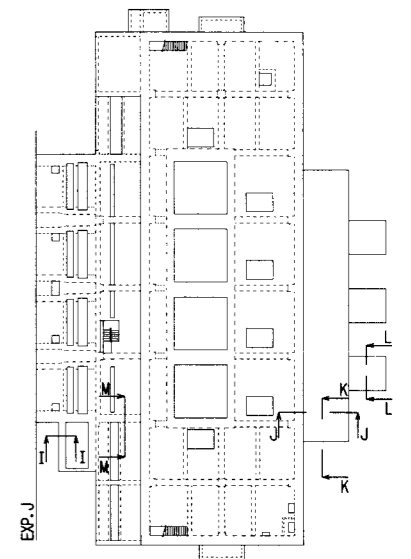
1. This drawing scale is 1:120.



SECTION I-I
SCALE 1:120



SECTION M-M
SCALE 1:120

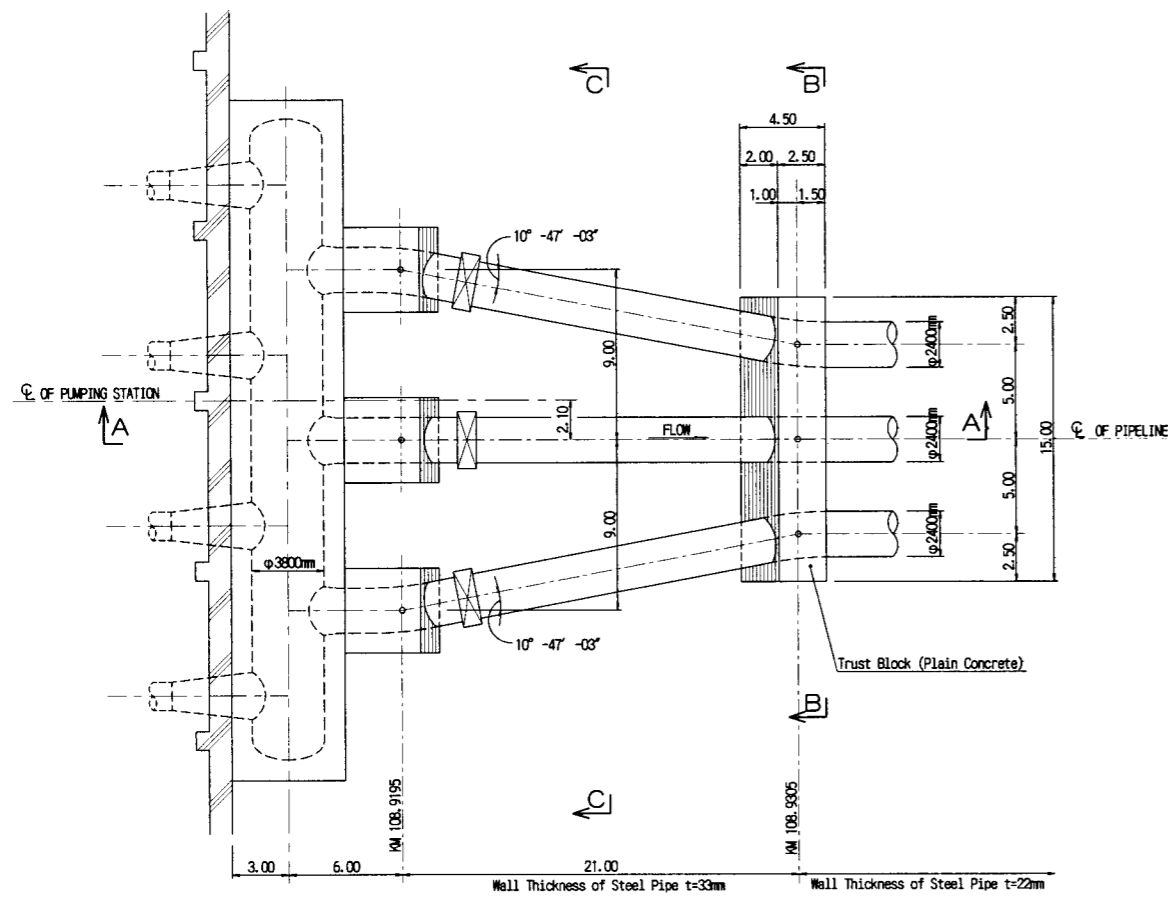
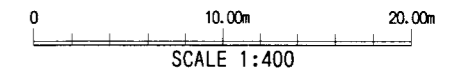


KEY PLAN

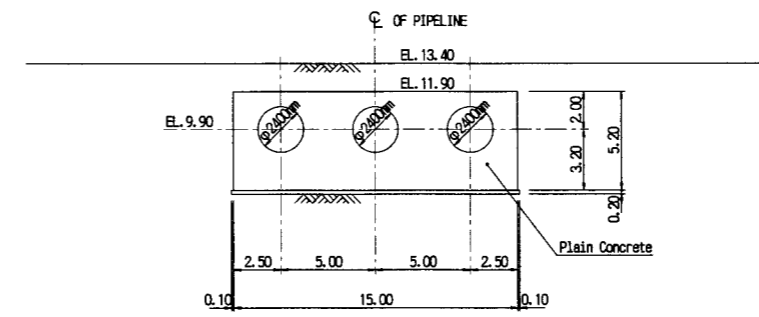
THE ARAB REPUBLIC OF EGYPT MINISTRY OF WATER RESOURCES AND IRRIGATION NORTH SINAI DEVELOPMENT ORGANIZATION	
THE NORTH SINAI INTEGRATED RURAL DEVELOPMENT PROJECT (PHASE III)	
CONVEYANCE SYSTEM OF EL SHEIKH GABER EL SABBABH CANAL BETWEEN KM 108.466 AND KM 118.560 EL SALAAM No. 7 (BIR EL ABD) PUMPING STATION	
PUMPING STATION PUMP ROOM-REINFORCEMENTS(8/8)	
JAPAN INTERNATIONAL COOPERATION AGENCY(JICA) SANYU CONSULTANTS INC, PACIFIC CONSULTANTS INTERNATIONAL	
DESIGNED	
TRACED	
CHECKED	
APPROVED	
DRAWING NO.	PSC-231

NOTES:

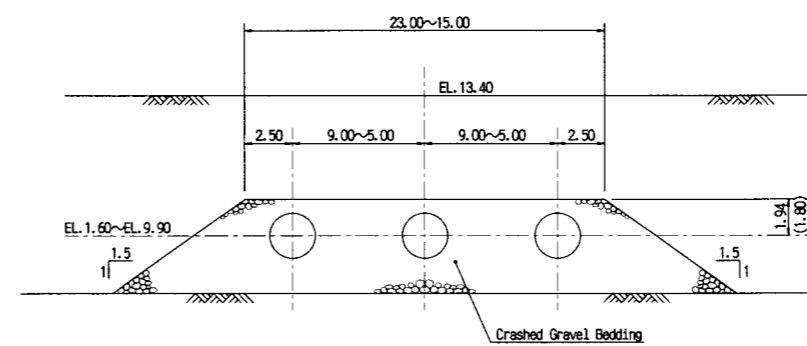
1. This drawing scale is 1:400.



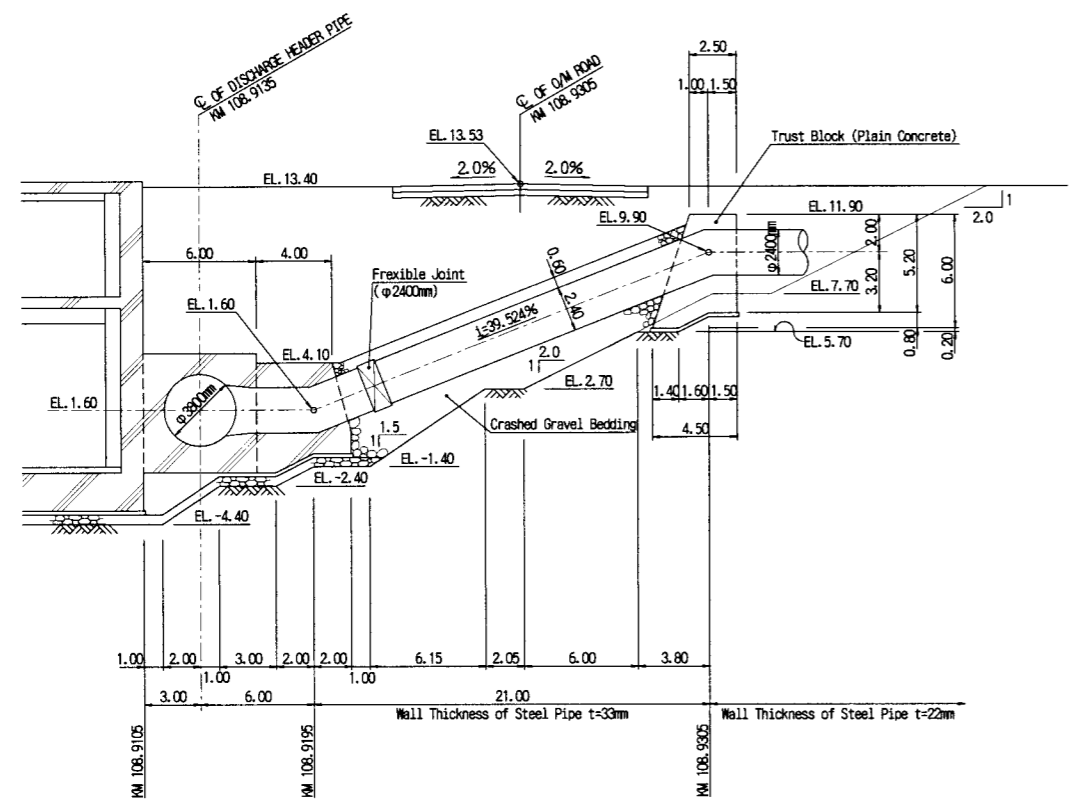
PLAN
SCALE 1:400



SECTION B-B
SCALE 1:400



SECTION C-C
SCALE 1:400



SECTION A-A
SCALE 1:400

THE ARAB REPUBLIC OF EGYPT MINISTRY OF WATER RESOURCES AND IRRIGATION NORTH SINAI DEVELOPMENT ORGANIZATION	
THE NORTH SINAI INTEGRATED RURAL DEVELOPMENT PROJECT (PHASE III)	
CONVEYANCE SYSTEM OF EL SHEIKH GABER EL SABBAAH CANAL BETWEEN KM 108.466 AND KM 118.560 EL SALAAM No. 7 (BIR EL ABD) PUMPING STATION	
PUMPING STATION THRUST BLOCK	
JAPAN INTERNATIONAL COOPERATION AGENCY (JICA) SANYU CONSULTANTS INC. PACIFIC CONSULTANTS INTERNATIONAL	
DESIGNED	
TRACED	
CHECKED	
APPROVED	
DRAWING NO.	PSC-232