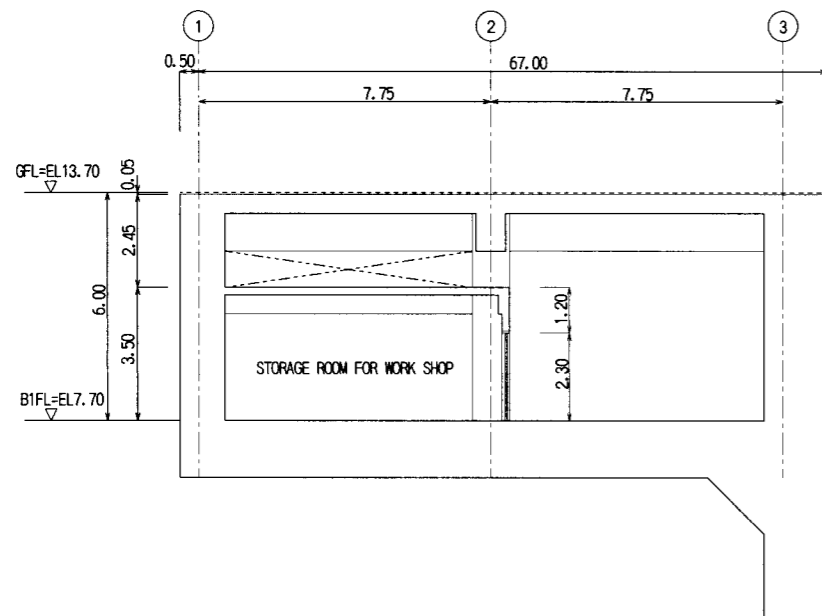
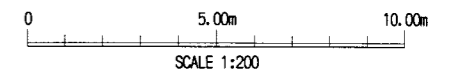
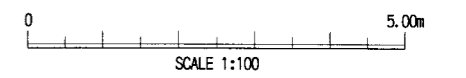


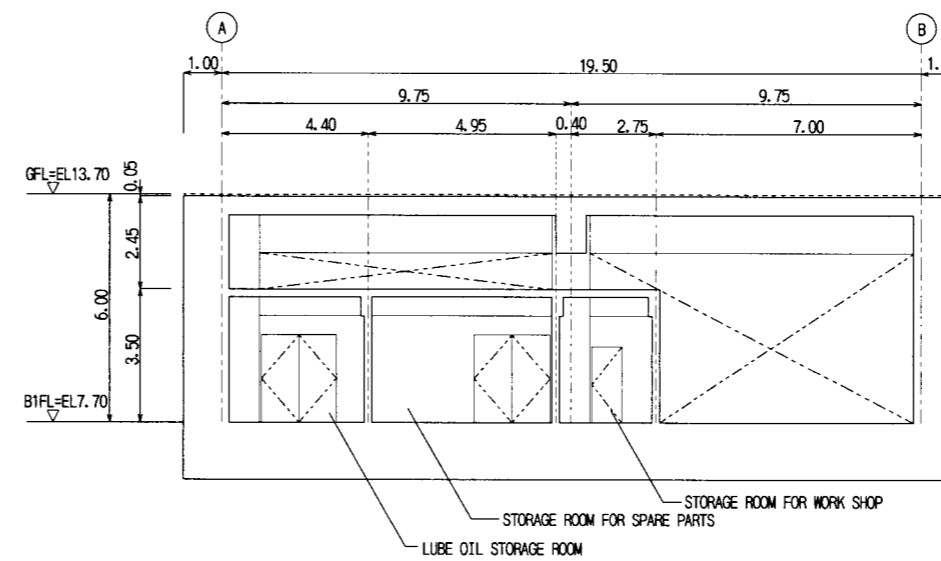
STORAGE ROOM PLAN B1FL=EL7.70  
SCALE 1:100

NOTES:

1. This drawing scales are as follows;



SECTION A-A  
SCALE 1:200



SECTION B-B  
SCALE 1:200

THE ARAB REPUBLIC OF EGYPT  
MINISTRY OF WATER RESOURCES AND IRRIGATION  
NORTH SINAI DEVELOPMENT ORGANIZATION

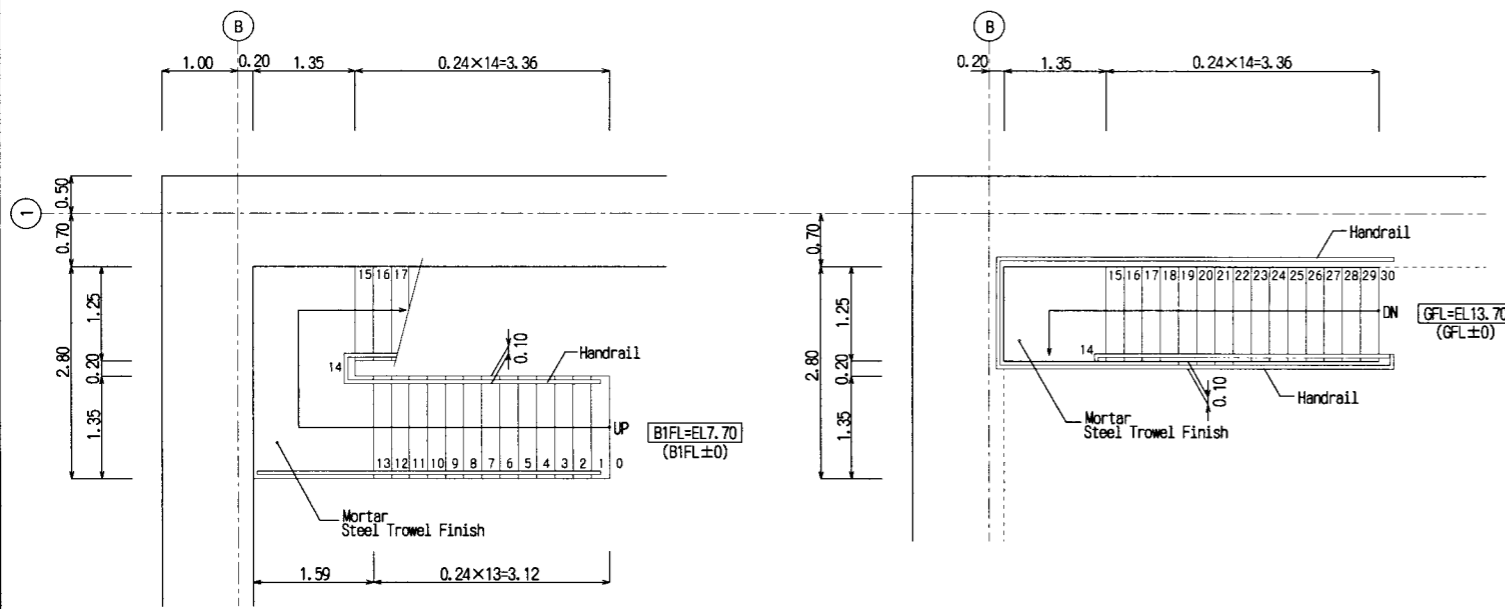
THE NORTH SINAI INTEGRATED RURAL  
DEVELOPMENT PROJECT (PHASE III)

CONVEYANCE SYSTEM OF EL SHEIKH GABER EL SABBABH CANAL  
BETWEEN KM 108.466 AND KM 118.560  
EL SALAAM No. 7 (B1R EL ABD) PUMPING STATION

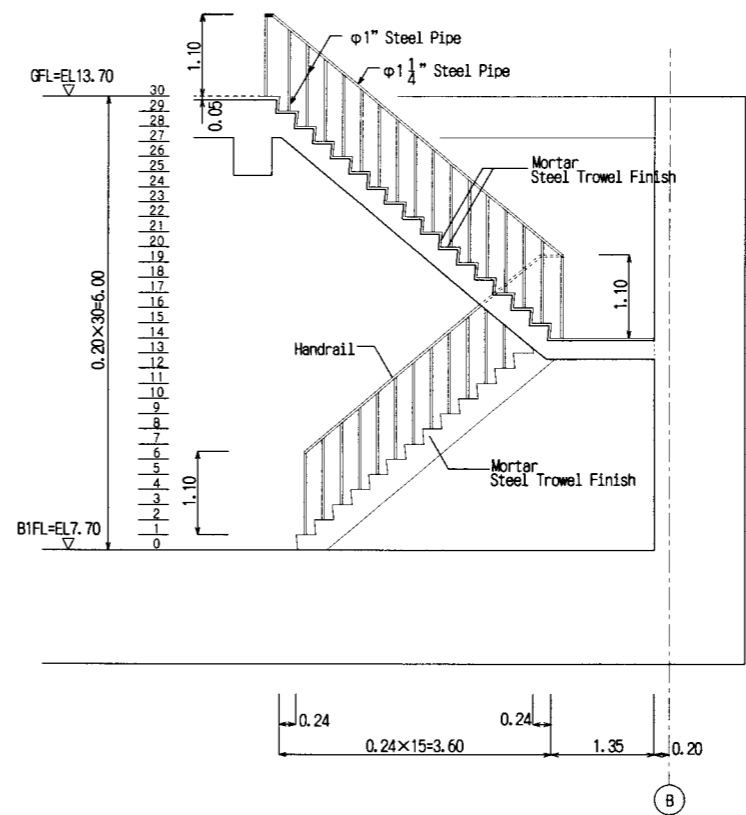
PUMPING STATION  
STORAGE ROOM DETAILS

JAPAN INTERNATIONAL COOPERATION AGENCY (JICA)  
SANYU CONSULTANTS INC, PACIFIC CONSULTANTS INTERNATIONAL

DESIGNED	
TRACED	
CHECKED	
APPROVED	
DRAWING NO.	PSC-210

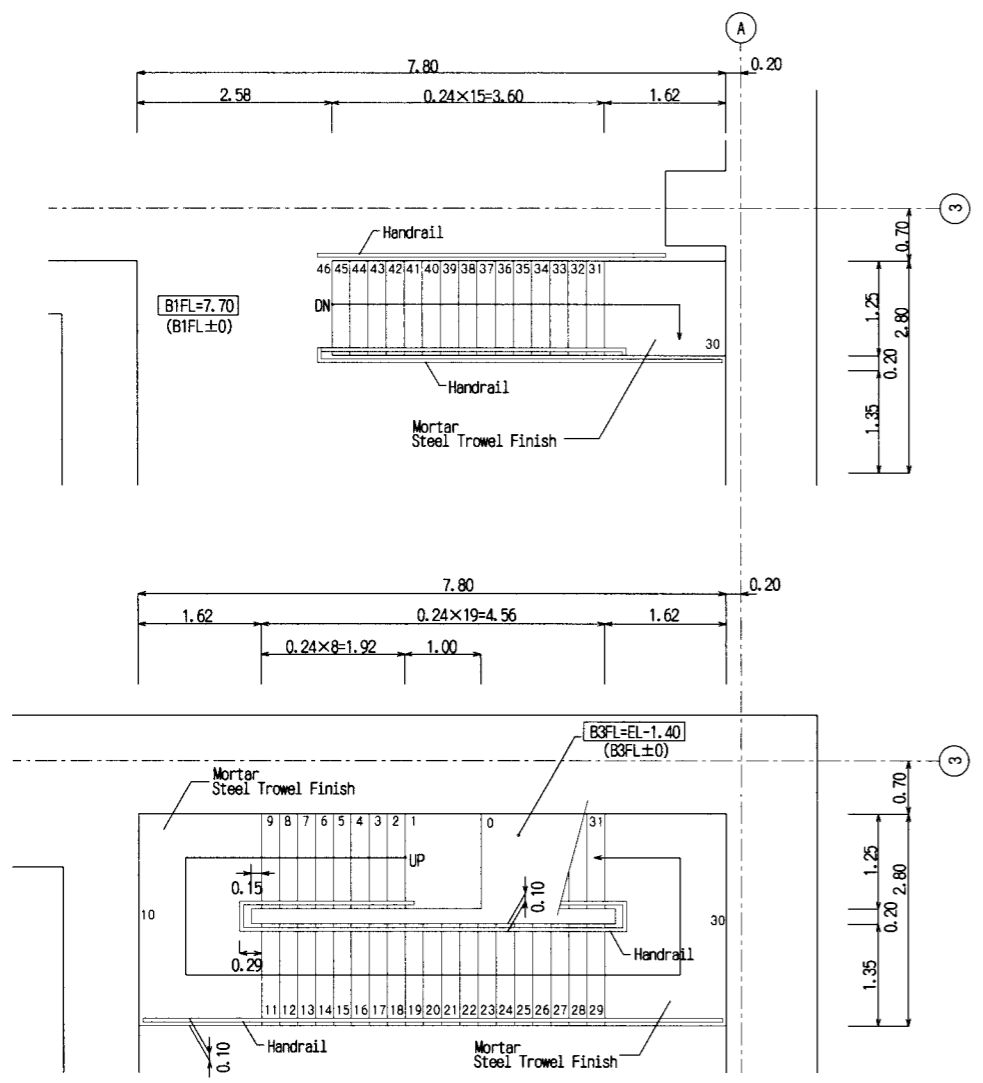
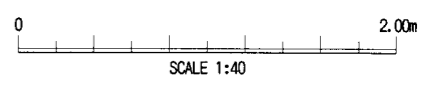
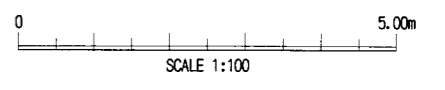


STAIRCASE ① DETAILS  
SCALE 1:100

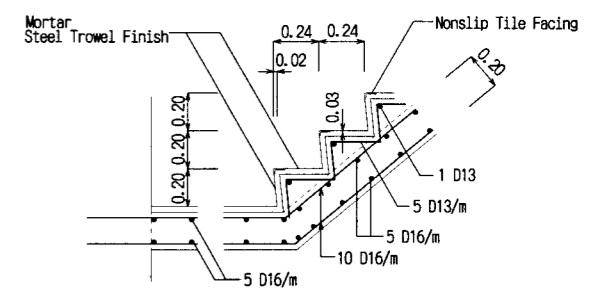
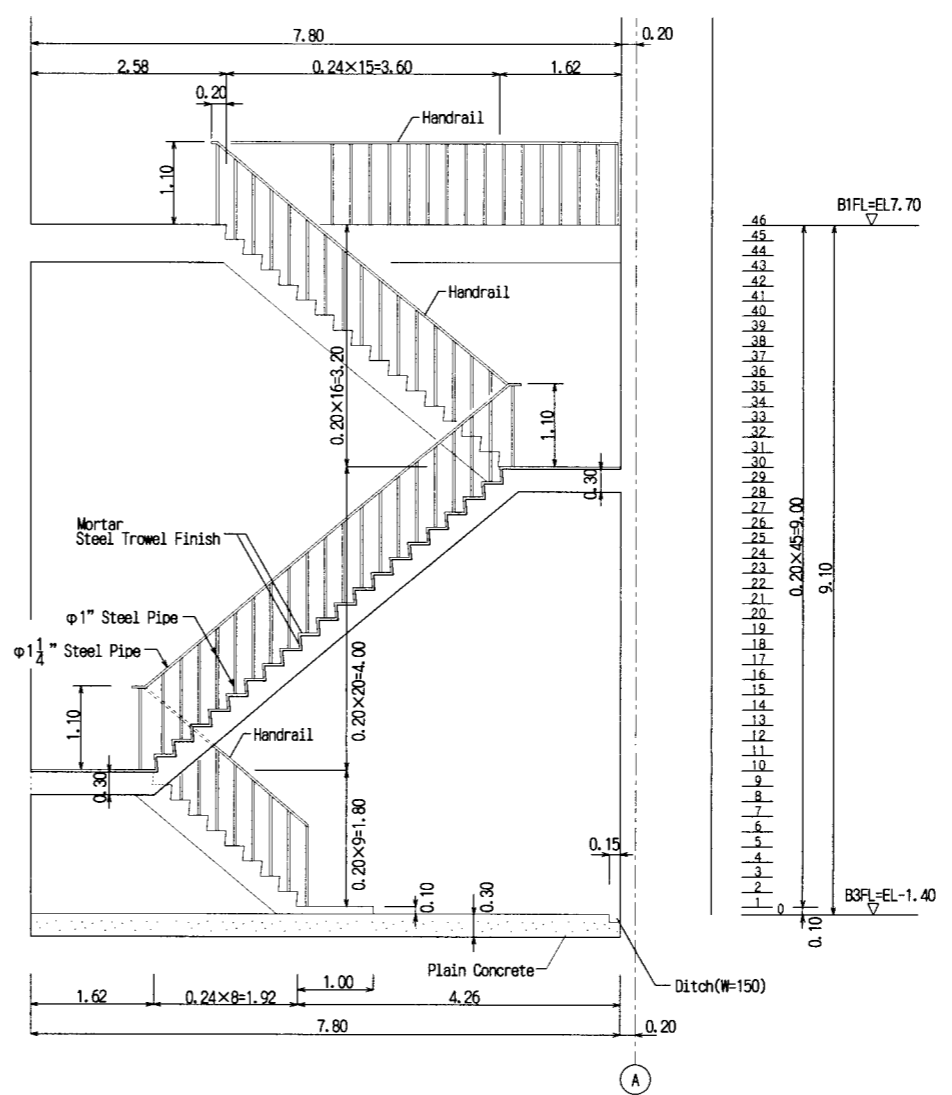


NOTES:

1. This drawing scales are as follows:

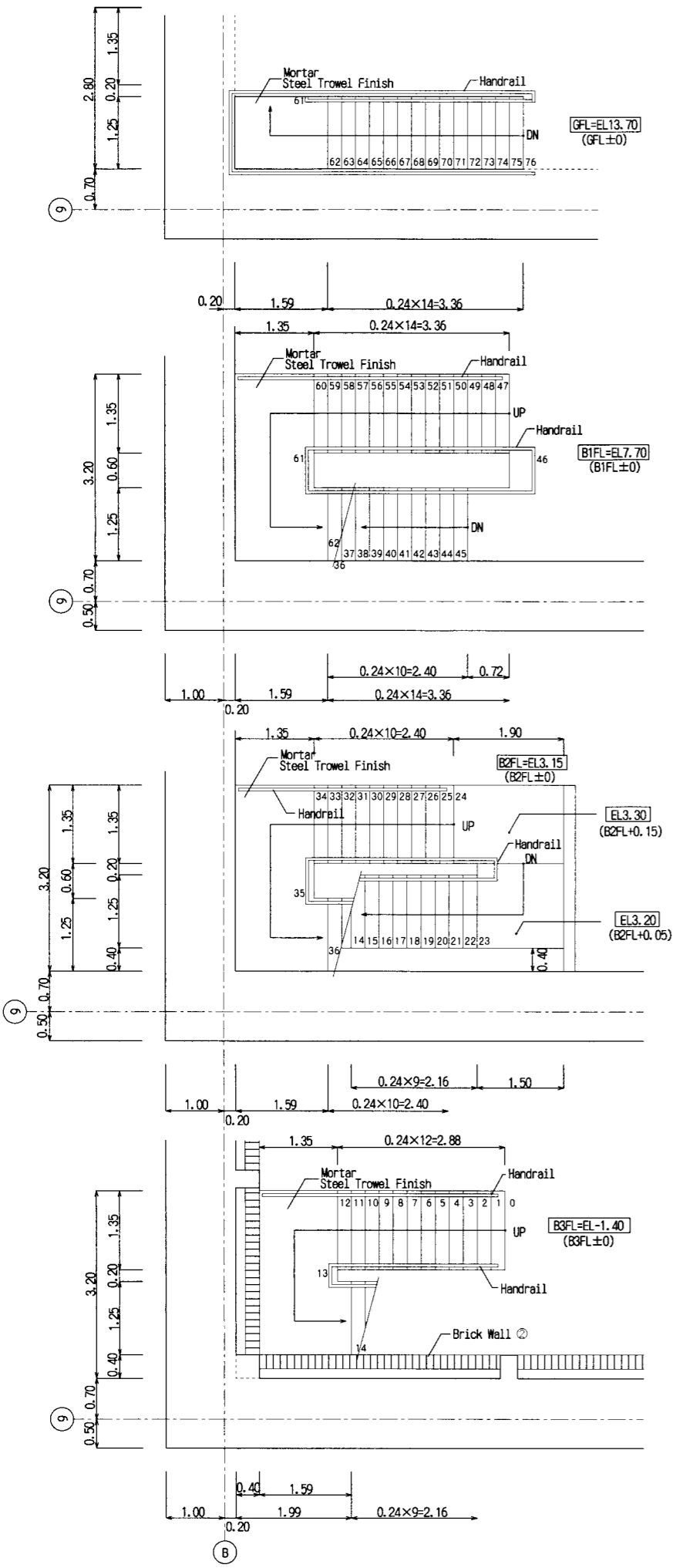


STAIRCASE ② DETAILS  
SCALE 1:100

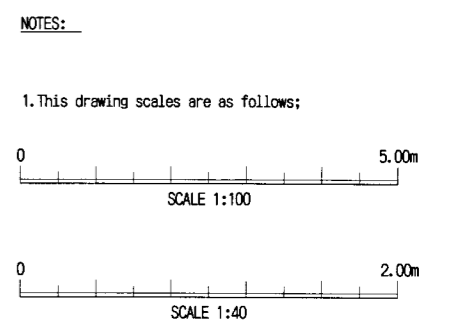
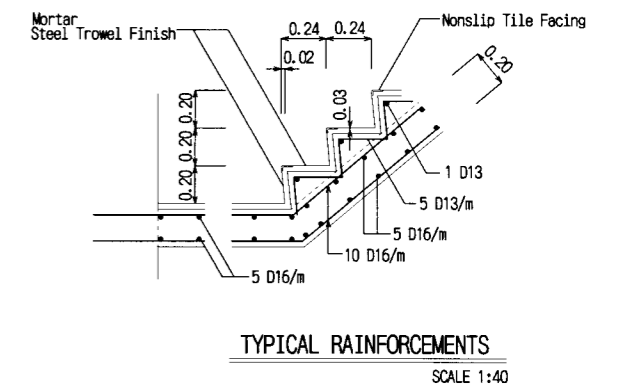
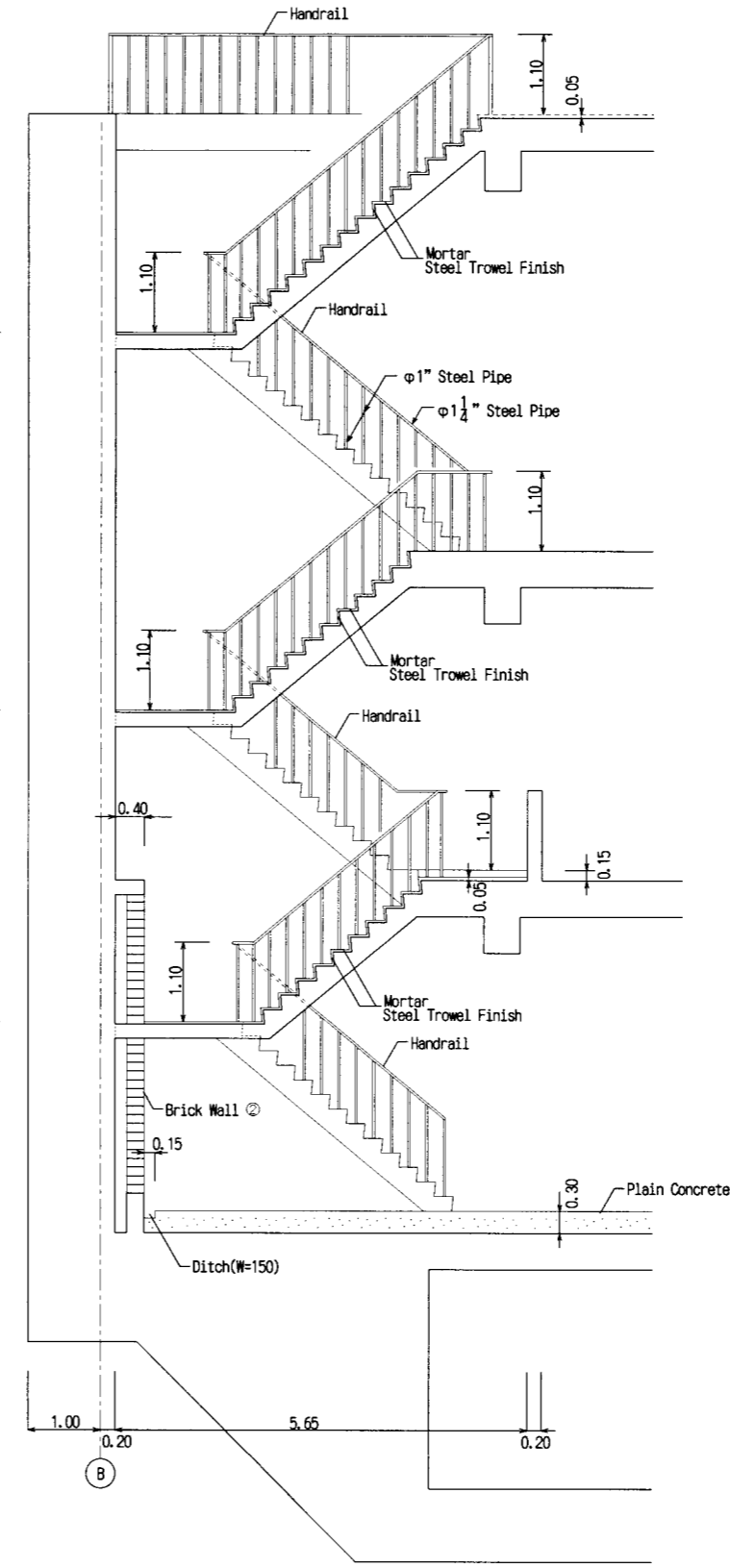
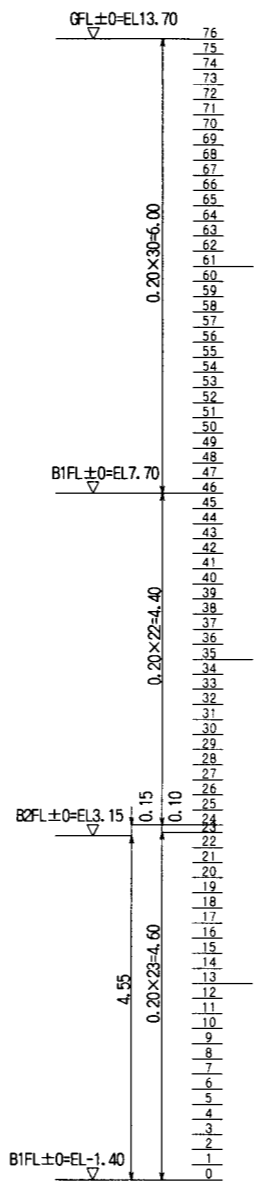


TYPICAL REINFORCEMENTS  
SCALE 1:40

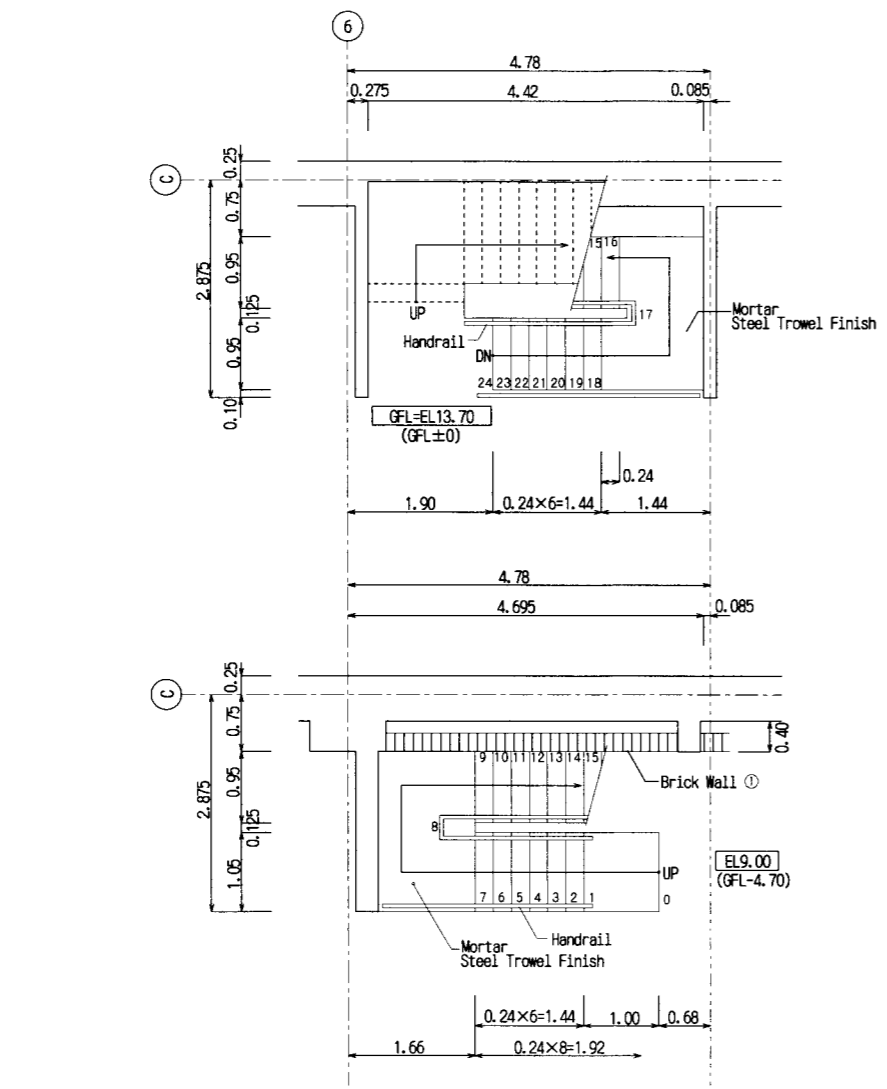
THE ARAB REPUBLIC OF EGYPT MINISTRY OF WATER RESOURCES AND IRRIGATION NORTH SINAI DEVELOPMENT ORGANIZATION	
THE NORTH SINAI INTEGRATED RURAL DEVELOPMENT PROJECT (PHASE III)	
CONVEYANCE SYSTEM OF EL SHEIKH GABER EL SABBAAH CANAL BETWEEN KM 108.466 AND KM 118.560 EL SALAAM No. 7 (BIR EL ABD) PUMPING STATION	
PUMPING STATION STAIRCASE DETAILS(1/4)	
JAPAN INTERNATIONAL COOPERATION AGENCY(JICA) SANYU CONSULTANTS INC, PACIFIC CONSULTANTS INTERNATIONAL	
DESIGNED	
TRACED	
CHECKED	
APPROVED	
DRAWING NO.	PSC-211



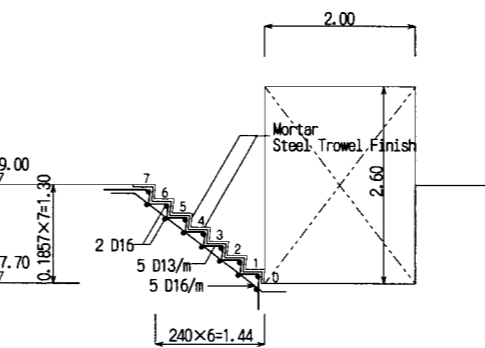
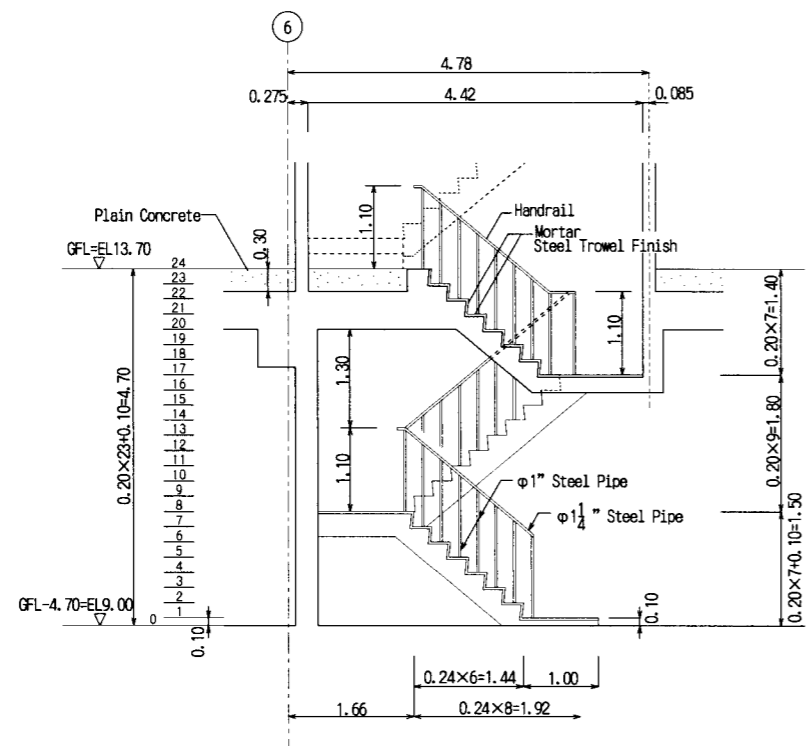
STAIRCASE ③ DETAILS  
SCALE 1:100



THE ARAB REPUBLIC OF EGYPT MINISTRY OF WATER RESOURCES AND IRRIGATION NORTH SINAI DEVELOPMENT ORGANIZATION	
THE NORTH SINAI INTEGRATED RURAL DEVELOPMENT PROJECT (PHASE III)	
CONVEYANCE SYSTEM OF EL SHEIKH GABER EL SABBAAH CANAL BETWEEN KM 108.466 AND KM 118.560 EL SALAAM No. 7 (BIR EL ABD) PUMPING STATION	
PUMPING STATION STAIRCASE DETAILS(2/4)	
JAPAN INTERNATIONAL COOPERATION AGENCY(JICA) SANYU CONSULTANTS INC, PACIFIC CONSULTANTS INTERNATIONAL	
DESIGNED	
TRACED	
CHECKED	
APPROVED	
DRAWING NO.	PSC-212



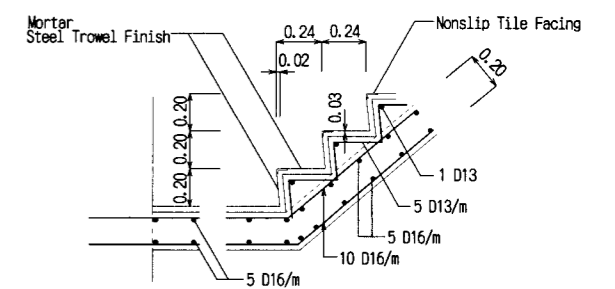
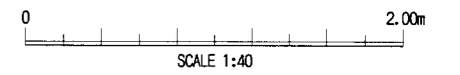
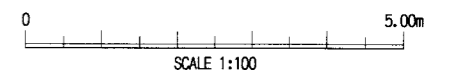
STAIRCASE ④ DETAILS  
SCALE 1:100



STAIRCASE ⑤ DETAILS  
SCALE 1:100

NOTES:

1. This drawing scales are as follows:

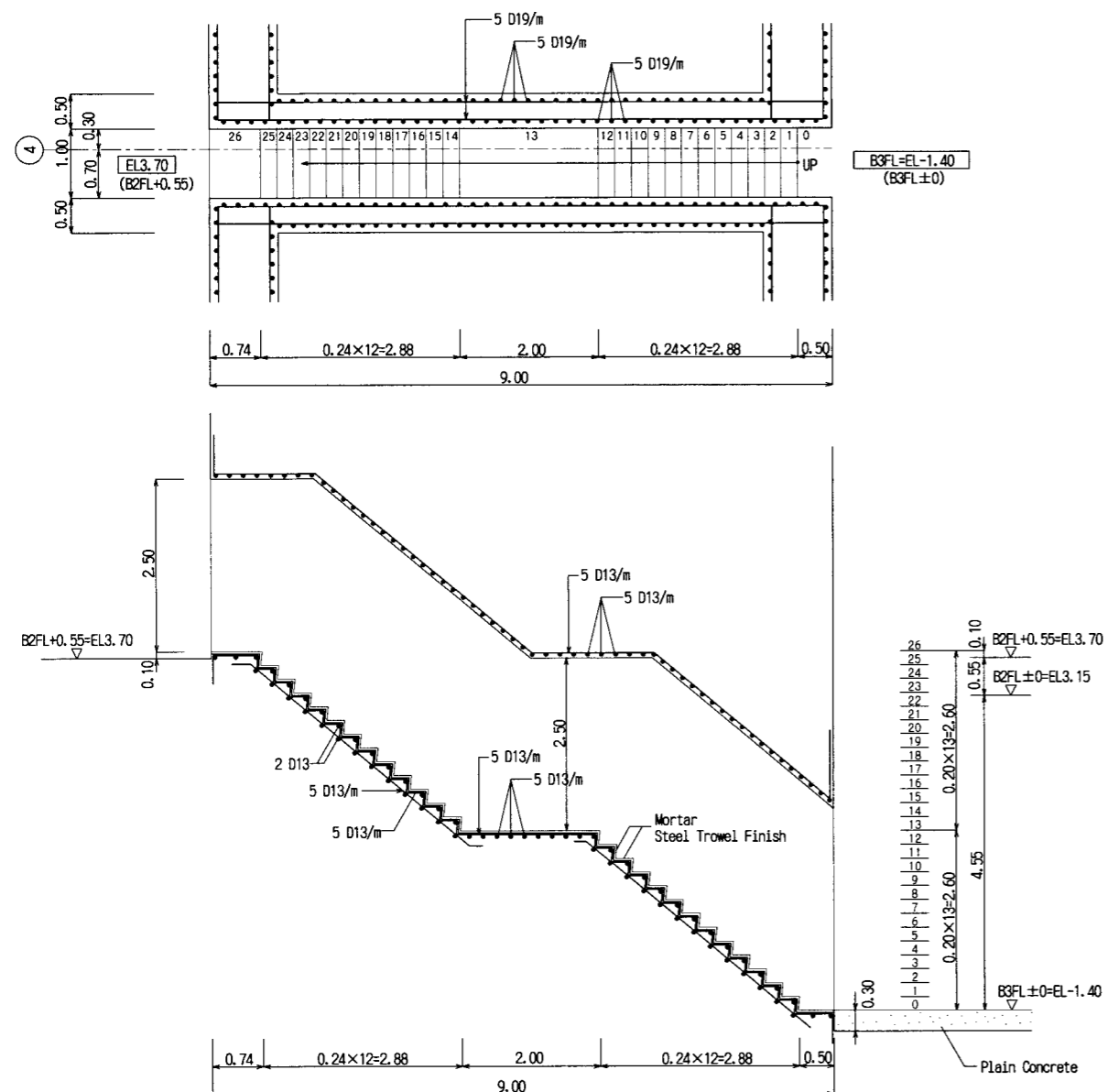
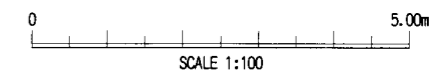


TYPICAL REINFORCEMENTS  
SCALE 1:40

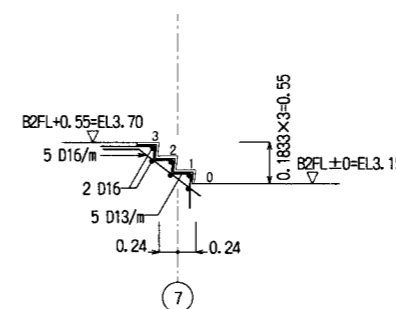
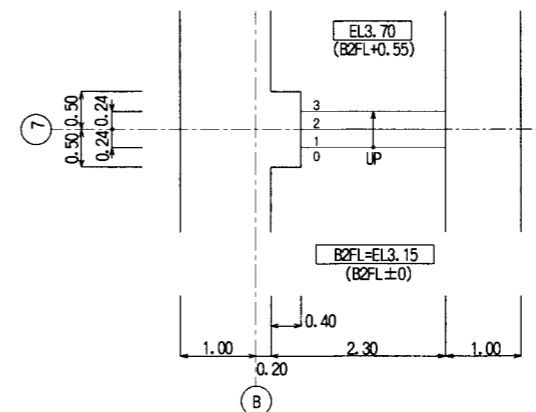
THE ARAB REPUBLIC OF EGYPT MINISTRY OF WATER RESOURCES AND IRRIGATION NORTH SINAI DEVELOPMENT ORGANIZATION	
THE NORTH SINAI INTEGRATED RURAL DEVELOPMENT PROJECT (PHASE III)	
CONVEYANCE SYSTEM OF EL SHEIKH GABER EL SABBAH CANAL BETWEEN KM 108.466 AND KM 118.560 EL SALAAM No. 7 (BIR EL ABD) PUMPING STATION	
PUMPING STATION STAIRCASE DETAILS(3/4)	
JAPAN INTERNATIONAL COOPERATION AGENCY(JICA) SANYU CONSULTANTS INC, PACIFIC CONSULTANTS INTERNATIONAL	
DESIGNED	
TRACED	
CHECKED	
APPROVED	
DRAWING NO.	PSC-213

NOTES:

1. This drawing scale is 1:100.

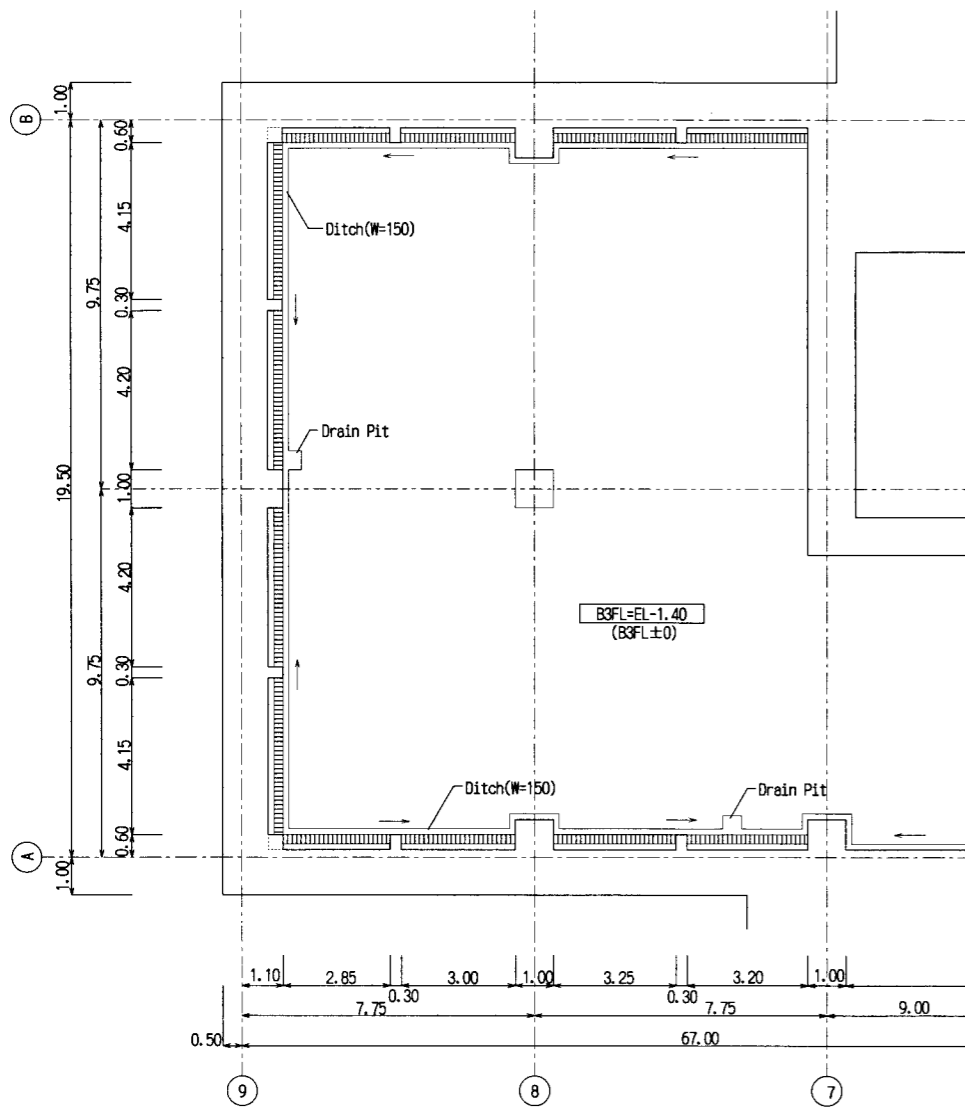


STAIRCASE ④ DETAILS  
SCALE 1:100

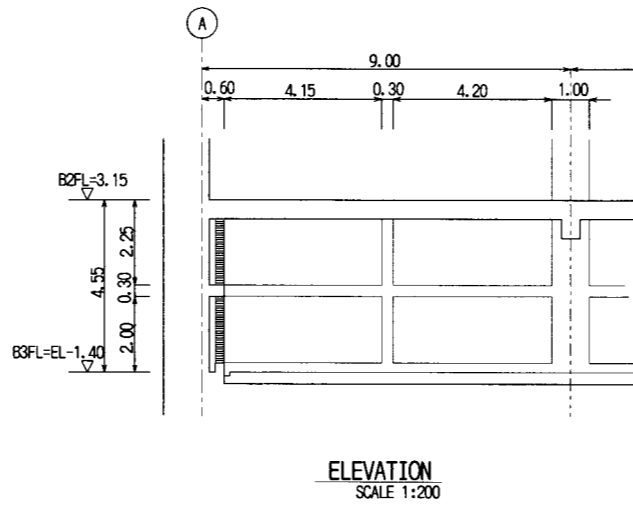


STAIRCASE ⑦ DETAILS  
SCALE 1:100

THE ARAB REPUBLIC OF EGYPT MINISTRY OF WATER RESOURCES AND IRRIGATION NORTH SINAI DEVELOPMENT ORGANIZATION	
THE NORTH SINAI INTEGRATED RURAL DEVELOPMENT PROJECT (PHASE III)	
CONVEYANCE SYSTEM OF EL SHEIKH GABER EL SABBABH CANAL BETWEEN KM 108.466 AND KM 118.560 EL SALAAM No. 7 (BIR EL ABD) PUMPING STATION PUMPING STATION STAIRCASE DETAILS(4/4)	
JAPAN INTERNATIONAL COOPERATION AGENCY(JICA) SANYU CONSULTANTS INC, PACIFIC CONSULTANTS INTERNATIONAL	
DESIGNED	
TRACED	
CHECKED	
APPROVED	
DRAWING NO.	PSC-214

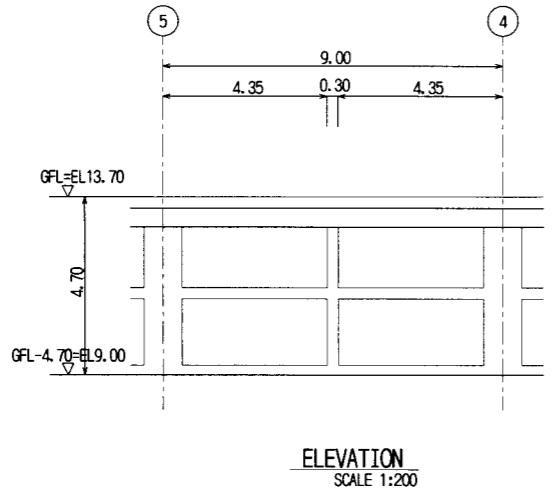


PLAN  
SCALE 1:200

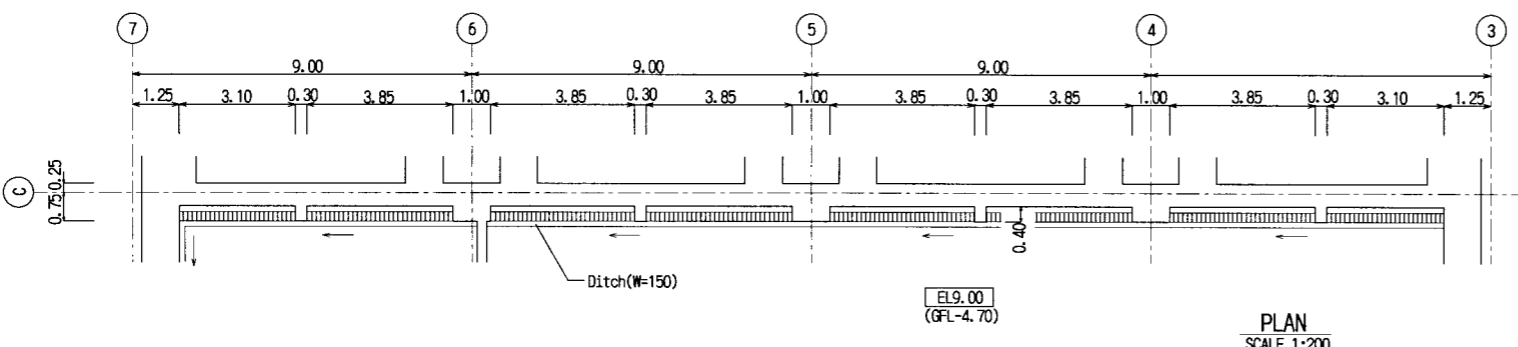


ELEVATION  
SCALE 1:200

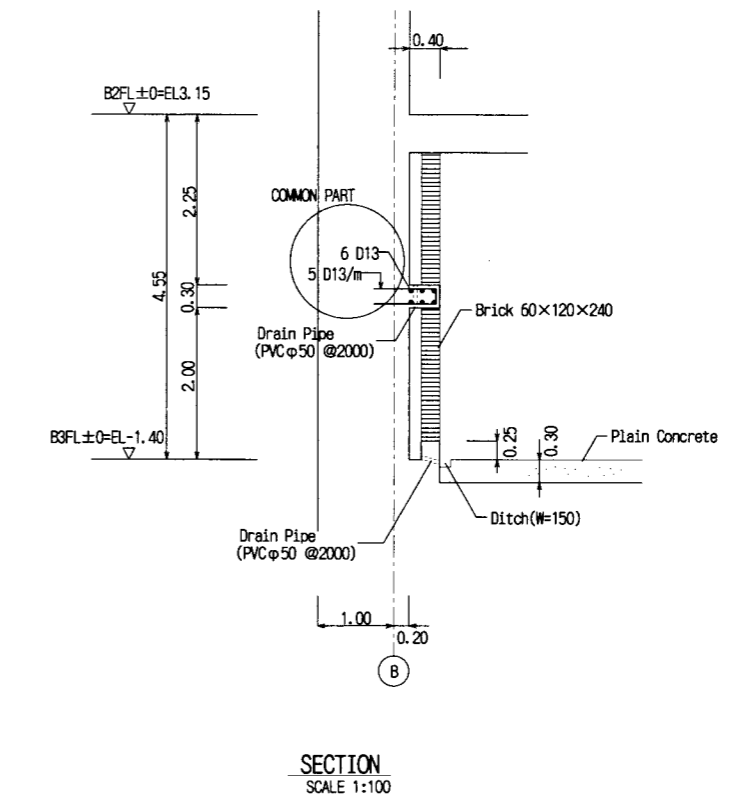
BRICK WALL ② DETAIL



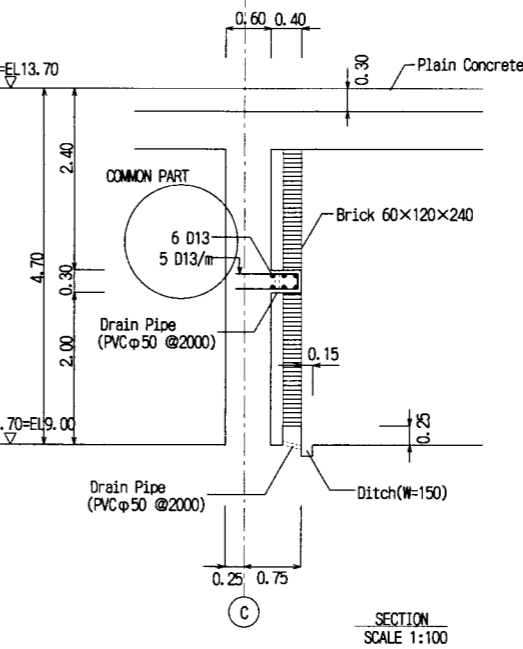
ELEVATION  
SCALE 1:200



PLAN  
SCALE 1:200



SECTION  
SCALE 1:100

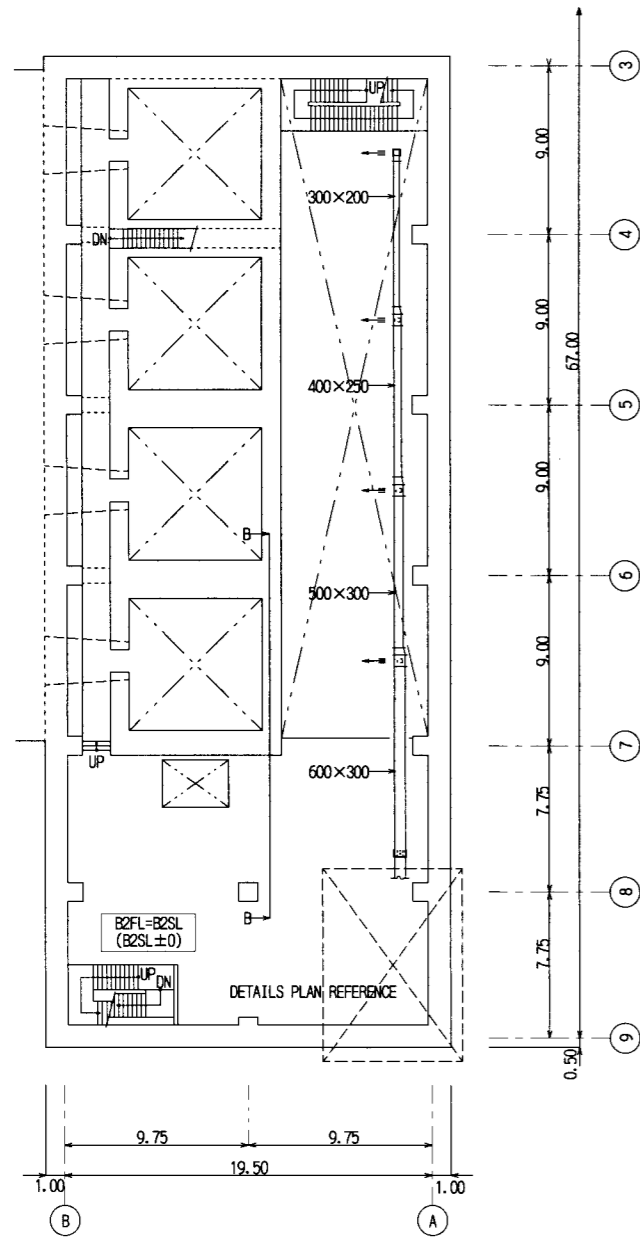


SECTION  
SCALE 1:100

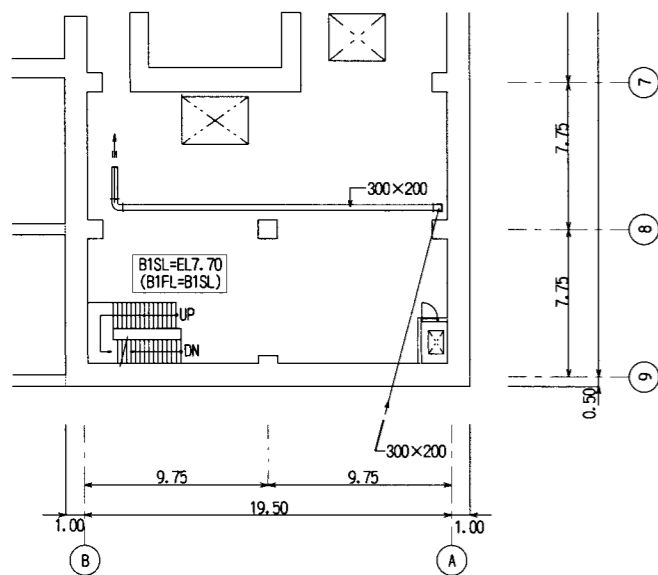
BRICK WALL ① DETAIL

NOTES:  
1. This drawing scales are as follows:  
0 5.00m SCALE 1:100  
0 5.00m 10.00m SCALE 1:200

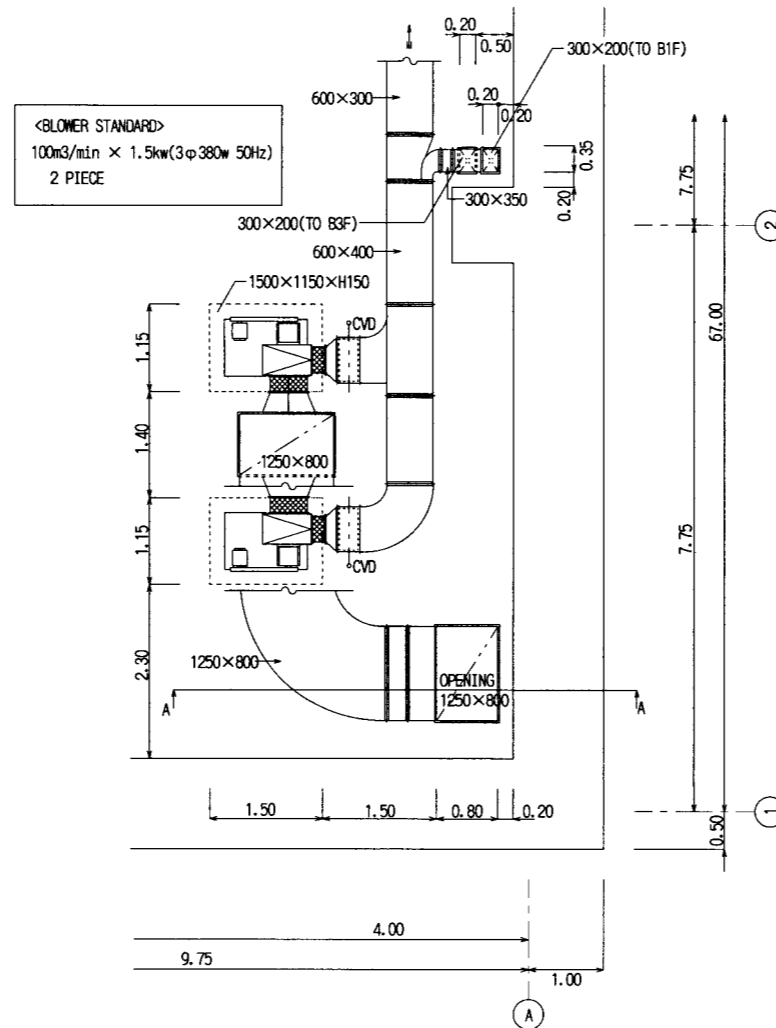
THE ARAB REPUBLIC OF EGYPT MINISTRY OF WATER RESOURCES AND IRRIGATION NORTH SINAI DEVELOPMENT ORGANIZATION	
THE NORTH SINAI INTEGRATED RURAL DEVELOPMENT PROJECT (PHASE III)	
CONVEYANCE SYSTEM OF EL SHEIKH GABER EL SABBAAH CANAL BETWEEN KM 108.466 AND KM 118.560 EL SALAAM No. 7 (BIR EL ABD) PUMPING STATION	
PUMPING STATION BRICK WALL DETAILS	
JAPAN INTERNATIONAL COOPERATION AGENCY (JICA) SANYU CONSULTANTS INC, PACIFIC CONSULTANTS INTERNATIONAL	
DESIGNED	
TRACED	
CHECKED	
APPROVED	
DRAWING NO.	PSC-215



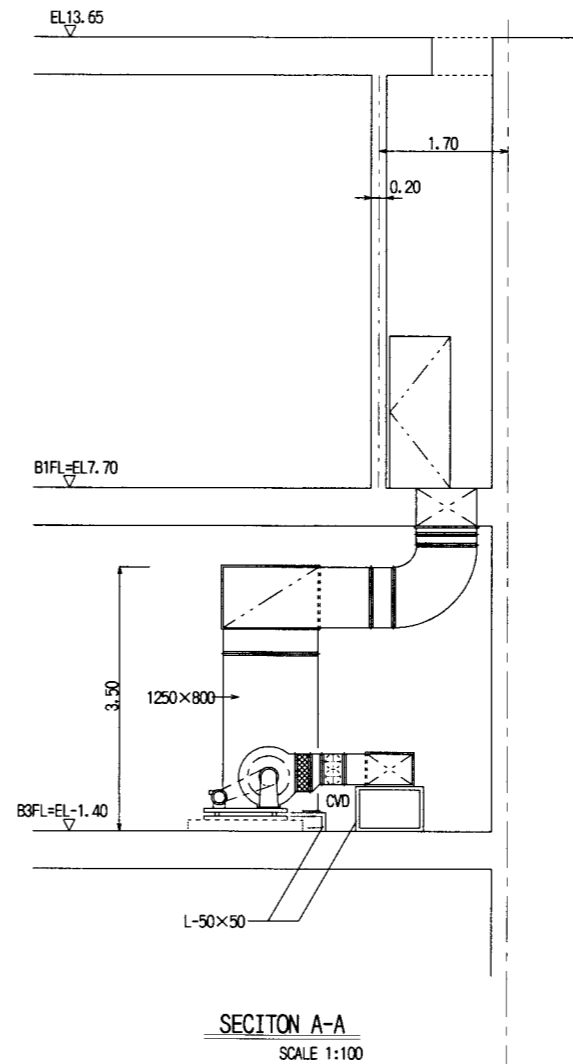
VENTILATION PLAN (B2FL) B2FL=EL.3.15  
SCALE 1:400



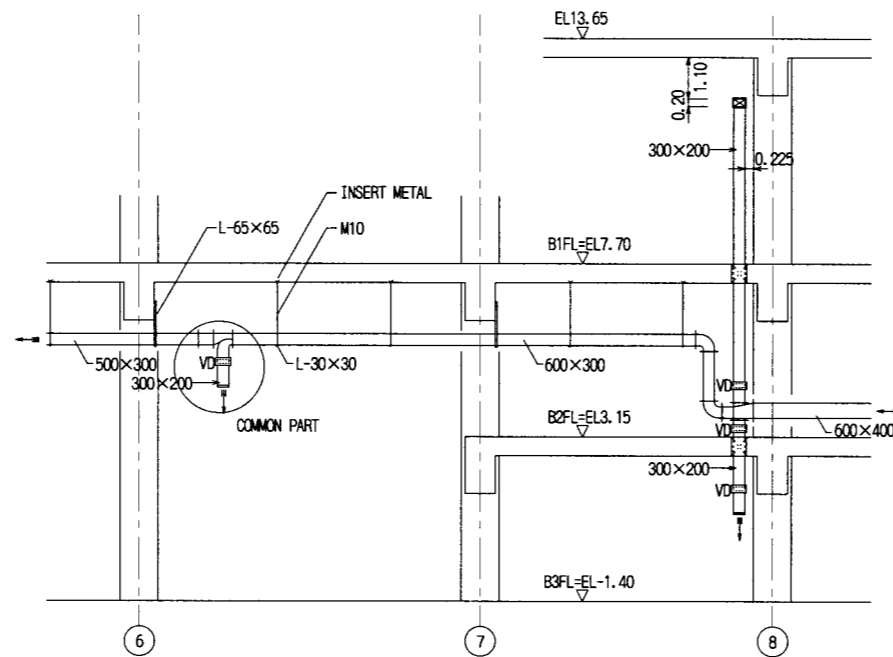
VENTILATION PLAN (B1FL) B1FL=EL.7.70  
SCALE 1:400



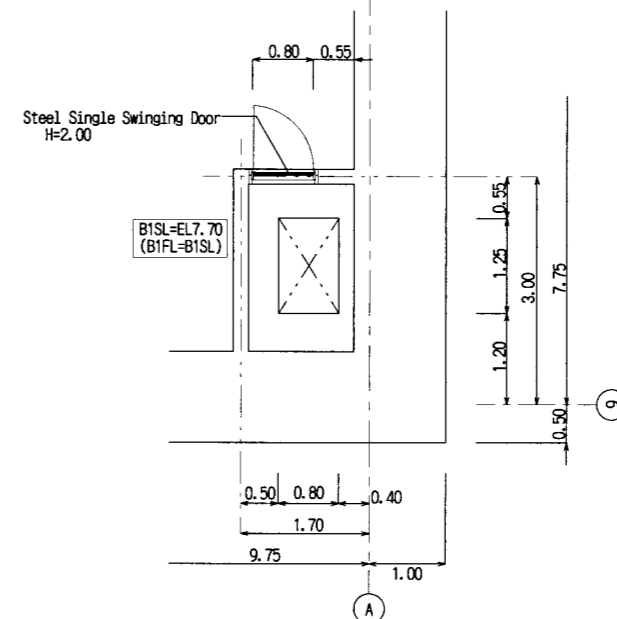
DETAILS PLAN (B2FL) B2FL=EL.3.15  
SCALE 1:100



SECTION A-A  
SCALE 1:100



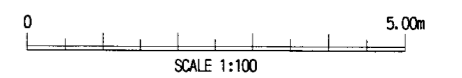
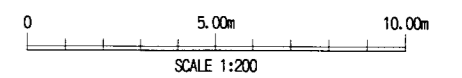
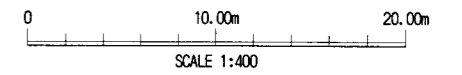
SECTION B-B  
SCALE 1:200



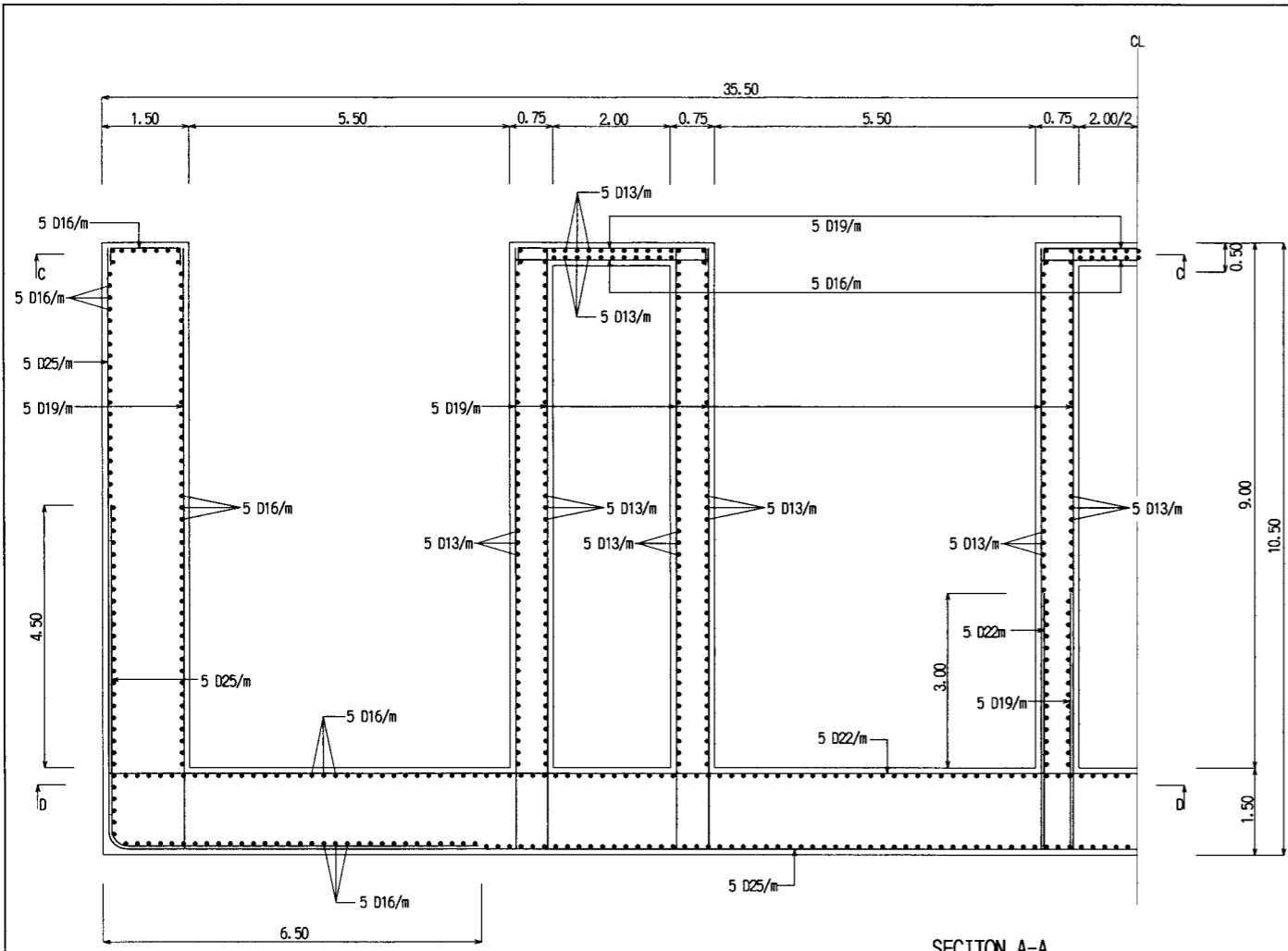
DETAILS PLAN (B1FL) B1FL=EL.7.70  
SCALE 1:100

NOTES:

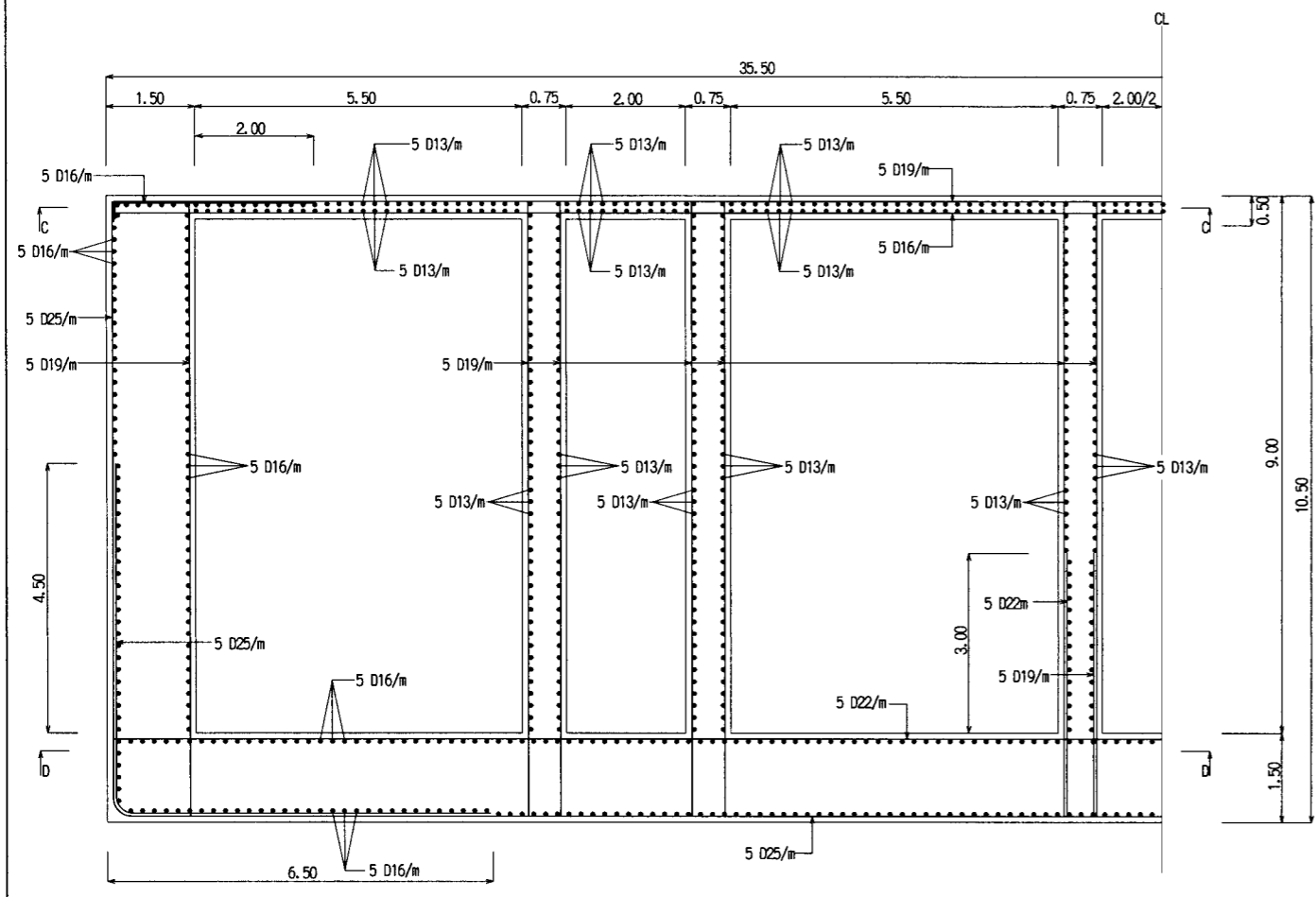
1. This drawing scales are as follows:



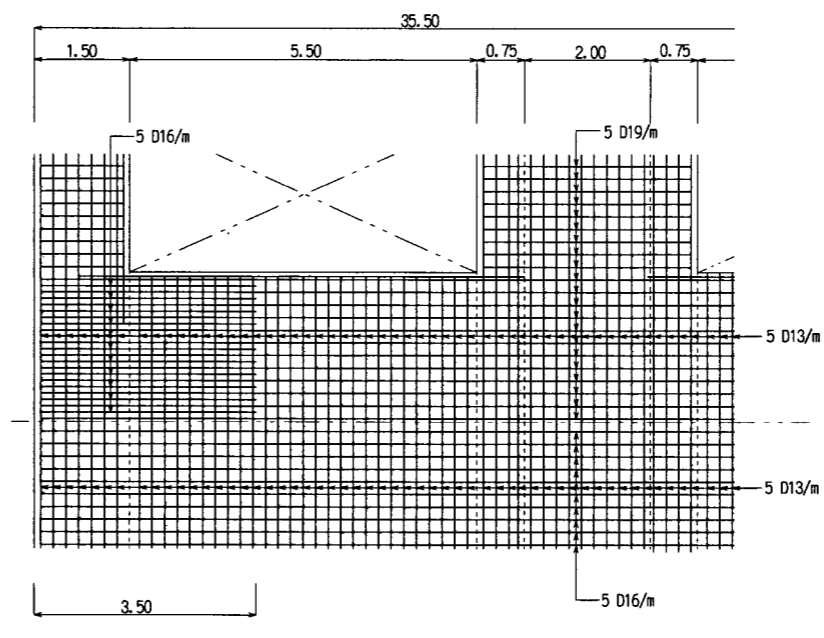
THE ARAB REPUBLIC OF EGYPT MINISTRY OF WATER RESOURCES AND IRRIGATION NORTH SINAI DEVELOPMENT ORGANIZATION	
THE NORTH SINAI INTEGRATED RURAL DEVELOPMENT PROJECT (PHASE III)	
CONVEYANCE SYSTEM OF EL SHEIKH GABER EL SABBAH CANAL BETWEEN KM 108.466 AND KM 118.560 EL SALAAM No. 7 (BIR EL ABD) PUMPING STATION	
PUMPING STATION VENTILATION DETAILS	
JAPAN INTERNATIONAL COOPERATION AGENCY (JICA) SANYU CONSULTANTS INC, PACIFIC CONSULTANTS INTERNATIONAL	
DESIGNED	
TRACED	
CHECKED	
APPROVED	
DRAWING NO.	PSC-216



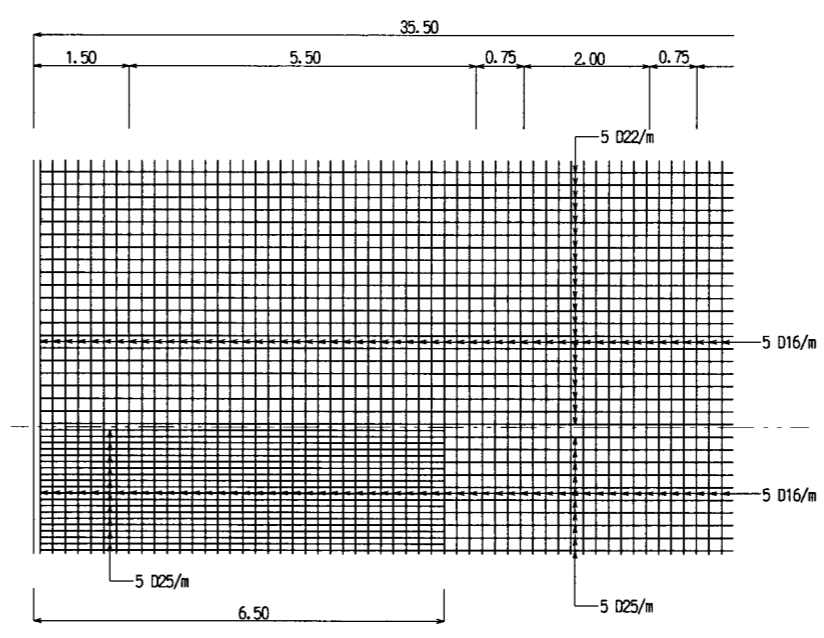
SECTION A-A  
SCALE 1:120



SECTION B-B  
SCALE 1:120



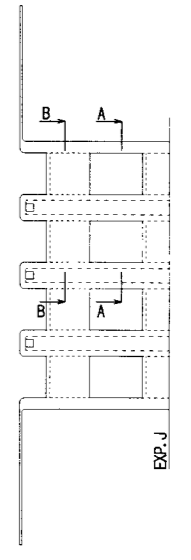
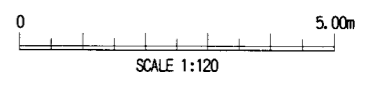
SECTION C-C  
SCALE 1:120



SECTION D-D  
SCALE 1:120

NOTES:

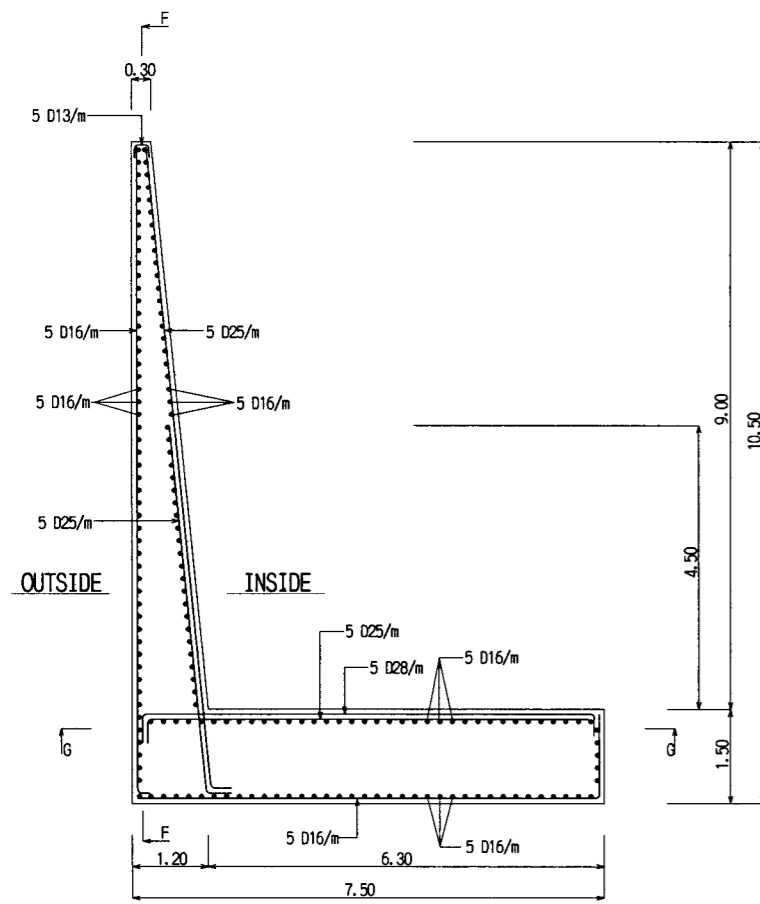
1. This drawing scale is 1:120.



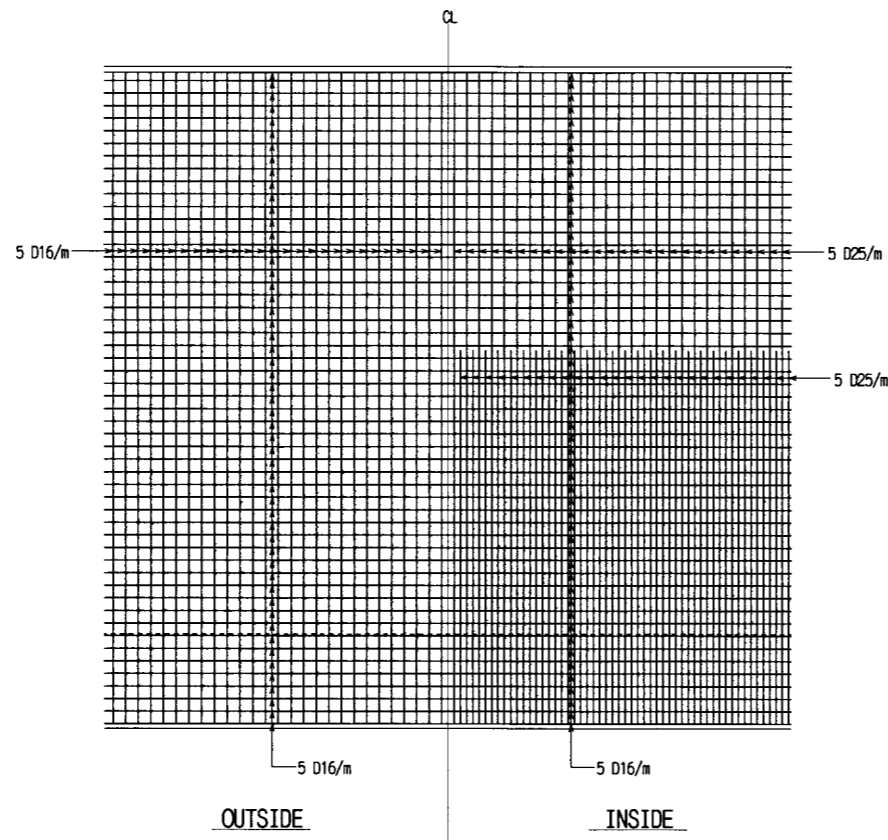
KEY PLAN

THE ARAB REPUBLIC OF EGYPT MINISTRY OF WATER RESOURCES AND IRRIGATION NORTH SINAI DEVELOPMENT ORGANIZATION	
THE NORTH SINAI INTEGRATED RURAL DEVELOPMENT PROJECT (PHASE III)	
CONVEYANCE SYSTEM OF EL SHEIKH GABER EL SABBABH CANAL BETWEEN KM 108.466 AND KM 118.560 EL SALAAM NO. 7 (BIR EL ABD) PUMPING STATION	
PUMPING STATION INTAKE-REINFORCEMENTS(1/2)	
JAPAN INTERNATIONAL COOPERATION AGENCY(JICA) SANYU CONSULTANTS INC, PACIFIC CONSULTANTS INTERNATIONAL	
DESIGNED	
TRACED	
CHECKED	
APPROVED	
DRAWING NO.	PSC-217

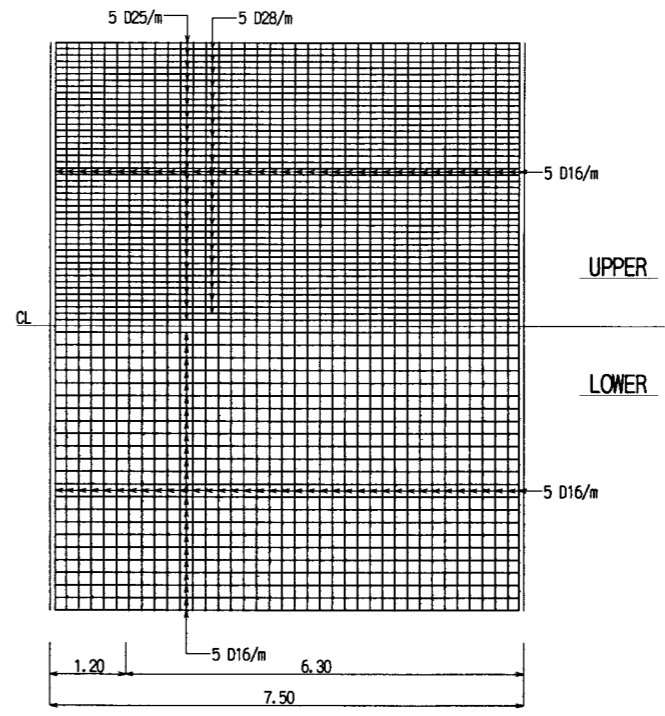




SECTION E-E  
SCALE 1:120



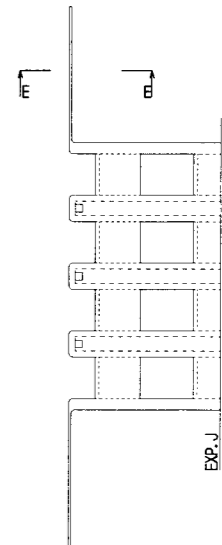
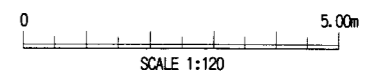
SECTION F-F  
SCALE 1:120



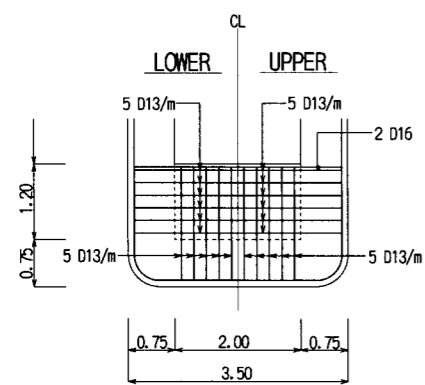
SECTION G-G  
SCALE 1:120

NOTES:

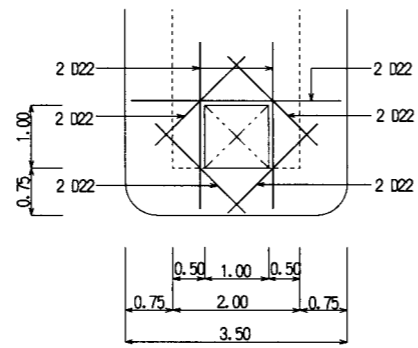
1. This drawing scale is 1:120.



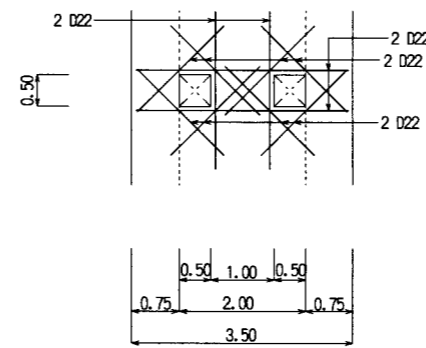
KEY PLAN



LANDING REINFORCEMENTS  
SCALE 1:120



OPENING REINFORCEMENTS  
SCALE 1:120

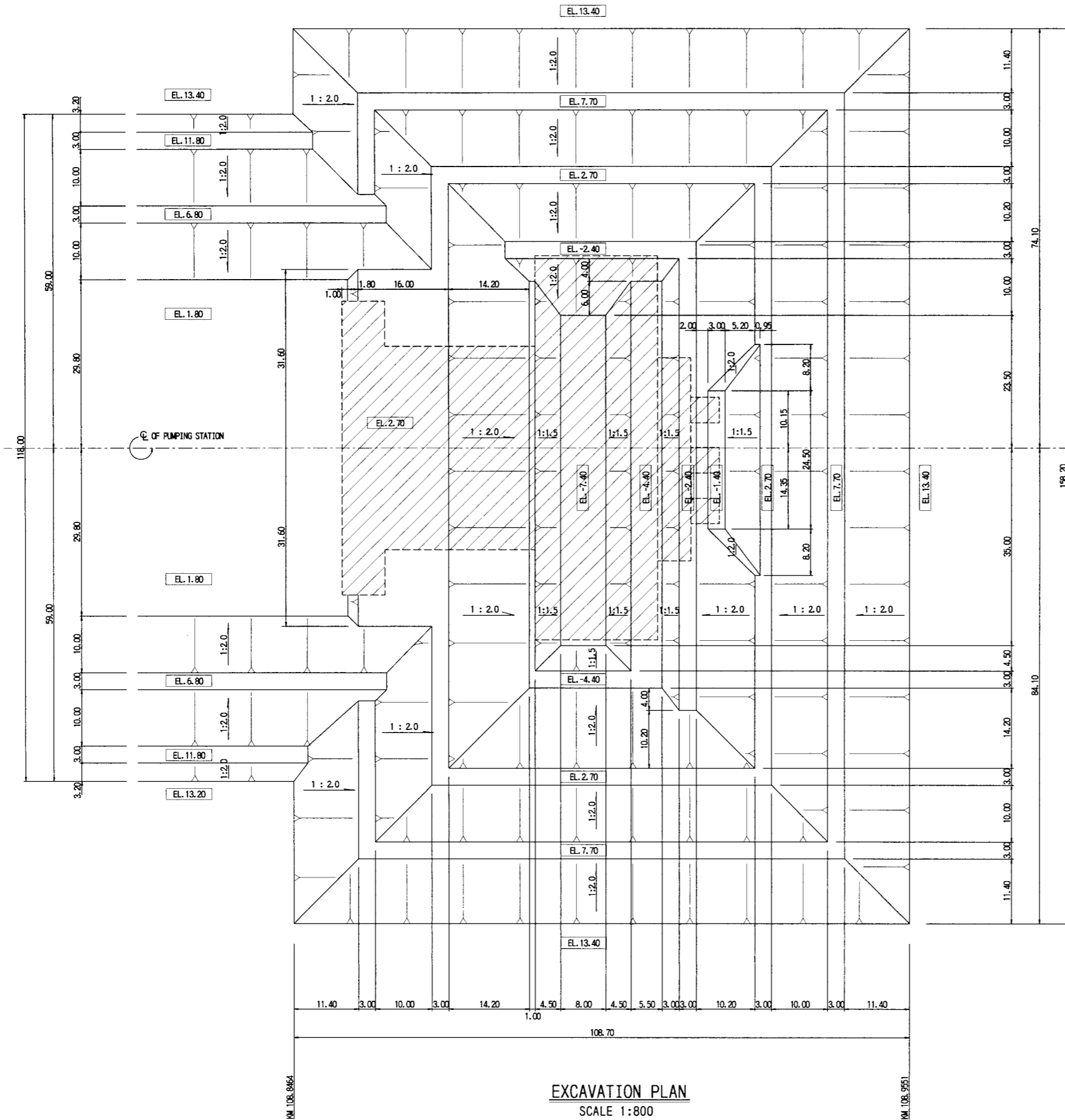
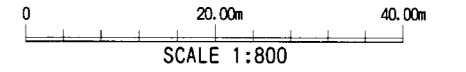


OPENING REINFORCEMENTS  
SCALE 1:120

THE ARAB REPUBLIC OF EGYPT MINISTRY OF WATER RESOURCES AND IRRIGATION NORTH SINAI DEVELOPMENT ORGANIZATION	
THE NORTH SINAI INTEGRATED RURAL DEVELOPMENT PROJECT (PHASE III)	
CONVEYANCE SYSTEM OF EL SHEIKH GABER EL SABBABH CANAL BETWEEN KM 108.466 AND KM 118.560 EL SALAAM No. 7 (BIR EL ABD) PUMPING STATION	
PUMPING STATION INTAKE-REINFORCEMENTS(2/2)	
JAPAN INTERNATIONAL COOPERATION AGENCY(JICA) SANYU CONSULTANTS INC, PACIFIC CONSULTANTS INTERNATIONAL	
DESIGNED	
TRACED	
CHECKED	
APPROVED	
DRAWING NO.	PSC-218

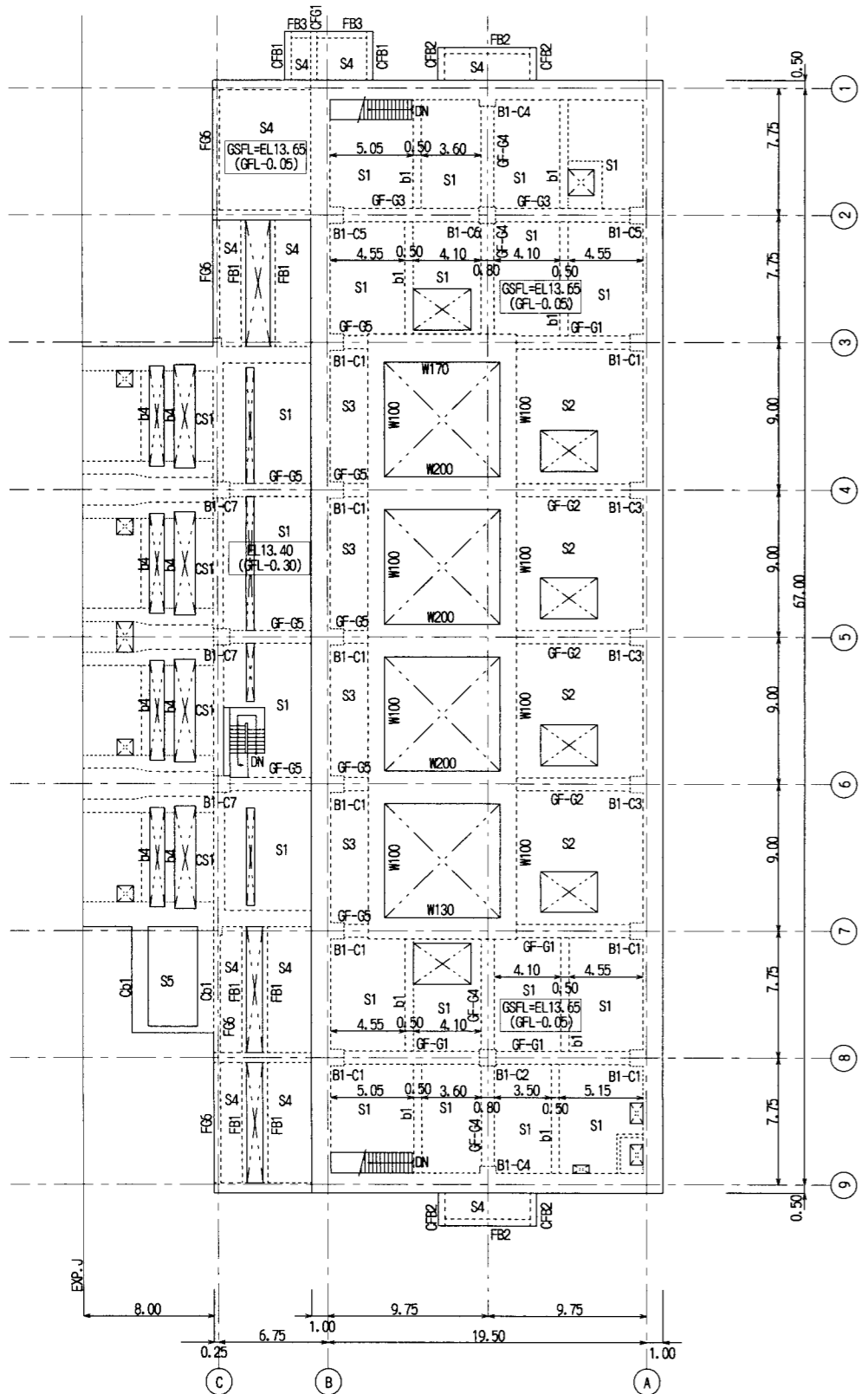
**NOTES:**

1. This drawing scale is 1:800.

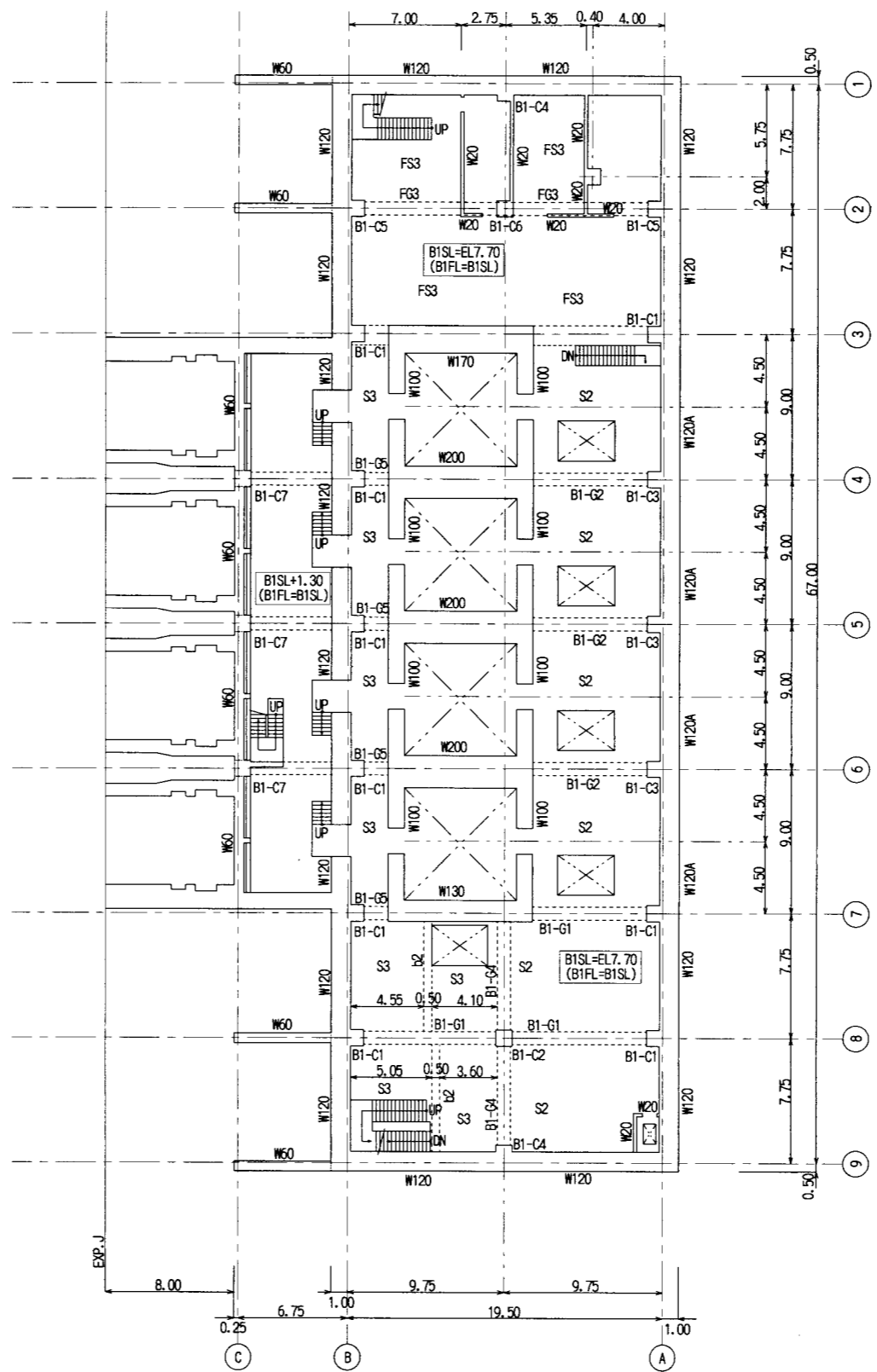


**EXCAVATION PLAN**  
SCALE 1:800

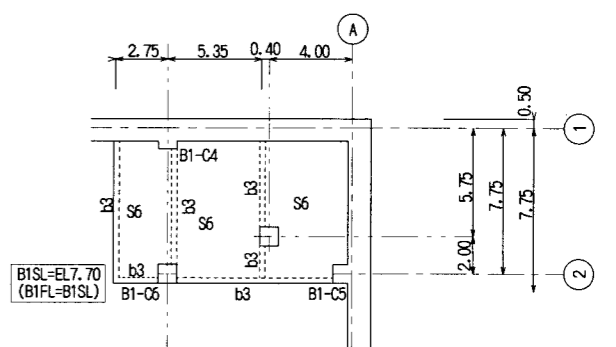
THE ARAB REPUBLIC OF EGYPT MINISTRY OF WATER RESOURCES AND IRRIGATION NORTH SINAI DEVELOPMENT ORGANIZATION	
THE NORTH SINAI INTEGRATED RURAL DEVELOPMENT PROJECT (PHASE III)	
CONVEYANCE SYSTEM OF EL SHEIKH GABER EL SABBABH CANAL BETWEEN KM 108.466 AND KM 118.560 EL SALAAM No. 7 (BIR EL ABD) PUMPING STATION	
PUMPING STATION EXCAVATION PLAN OF SUCTION SUMP	
JAPAN INTERNATIONAL COOPERATION AGENCY(JICA) SANYU CONSULTANTS INC, PACIFIC CONSULTANTS INTERNATIONAL	
DESIGNED	
TRACED	
CHECKED	
APPROVED	
DRAWING NO.	PSC-219



STRUCTURAL FRAMING(GFL) ① GFL=EL.13.70  
SCALE 1:400



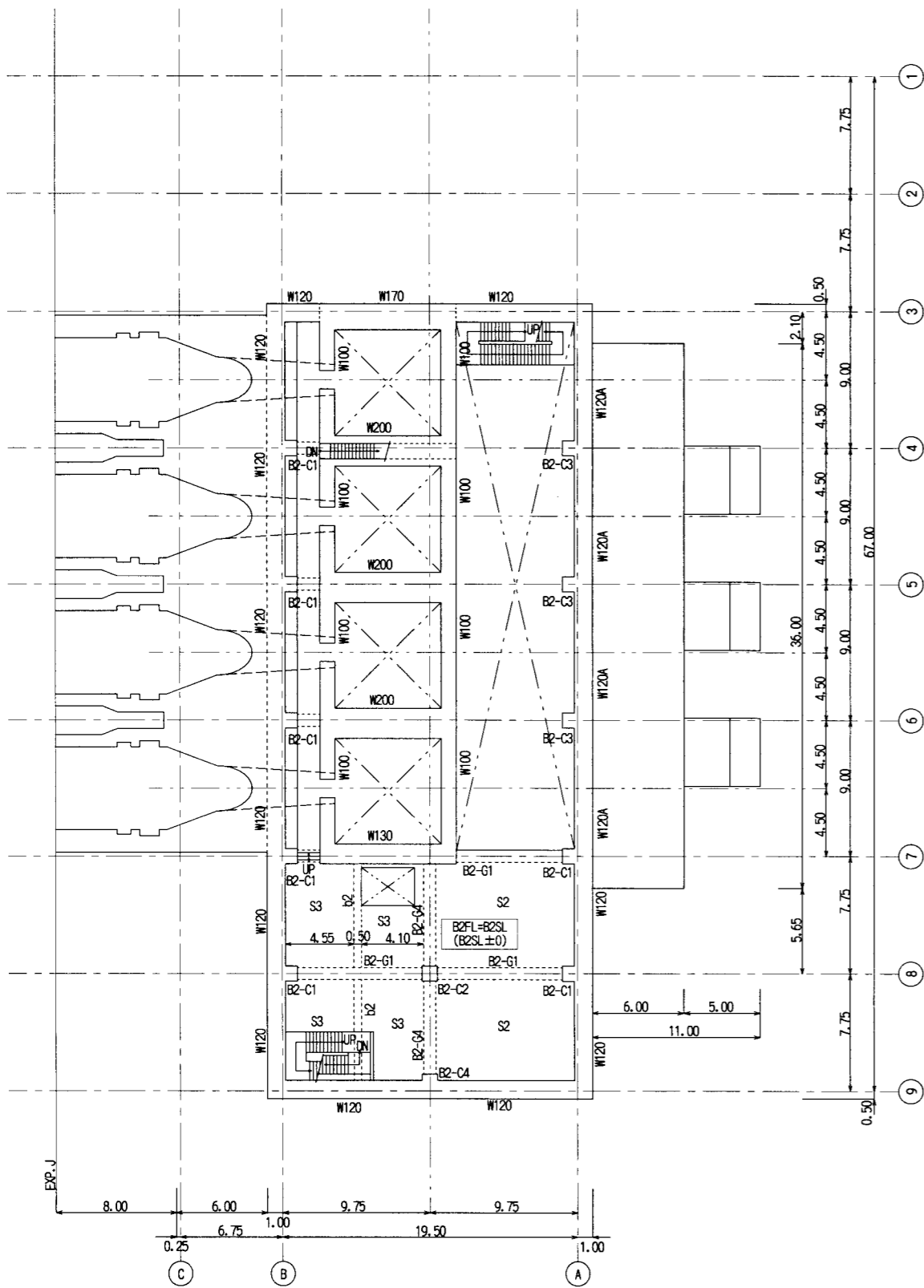
STRUCTURAL FRAMING(B1FL) ② B1FL=EL.7.70  
SCALE 1:400



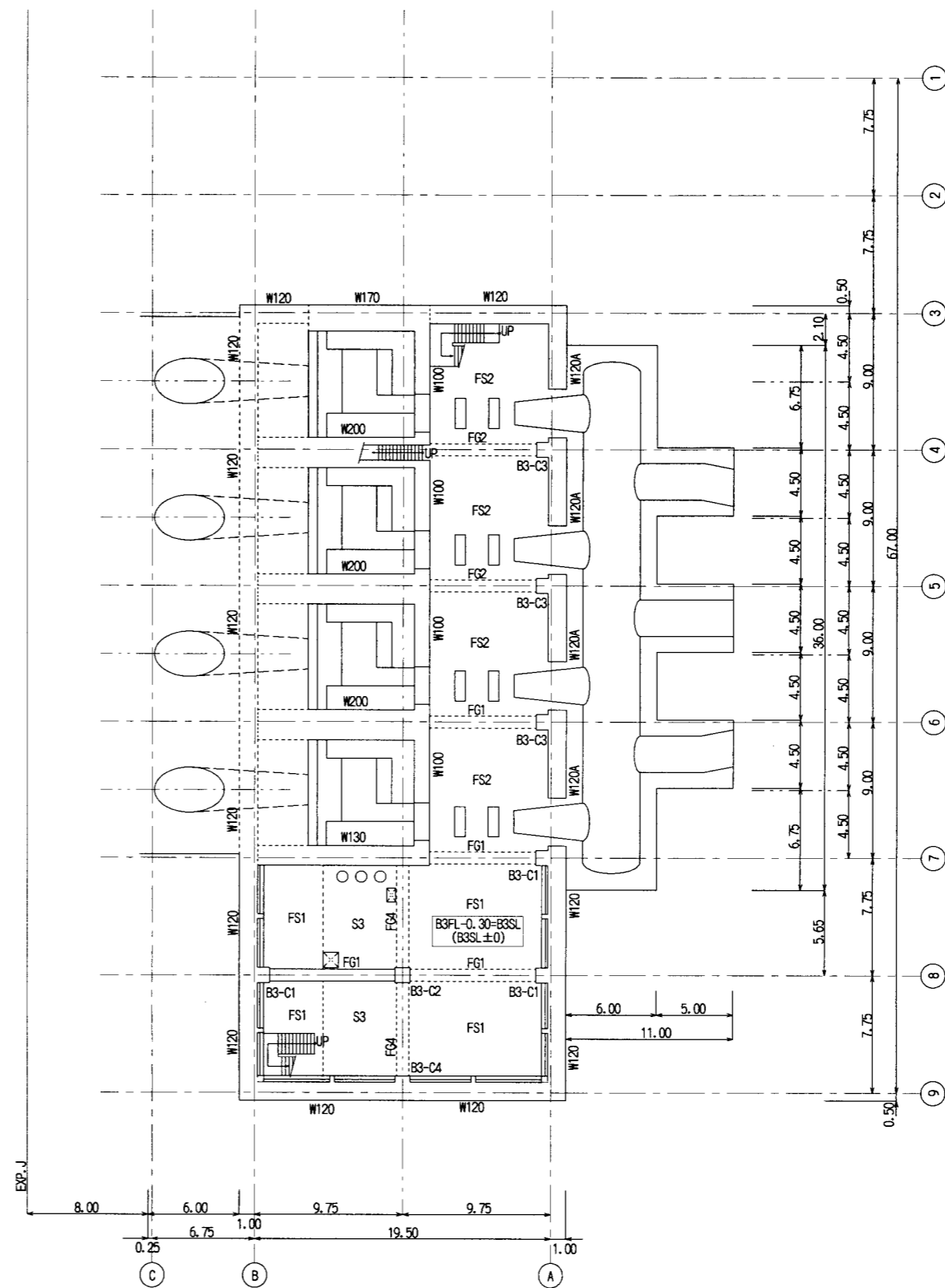
STRUCTURAL FRAMING(B1FL MEDIUM)  
SCALE 1:400

NOTES:  
1. This drawing scale is 1:400.  
0 10.00m 20.00m  
SCALE 1:400

THE ARAB REPUBLIC OF EGYPT MINISTRY OF WATER RESOURCES AND IRRIGATION NORTH SINAI DEVELOPMENT ORGANIZATION	
THE NORTH SINAI INTEGRATED RURAL DEVELOPMENT PROJECT (PHASE III)	
CONVEYANCE SYSTEM OF EL SHEIKH GABER EL SABBAAH CANAL BETWEEN KM 108.466 AND KM 118.560 EL SALAAM No. 7 (BIR EL ABD) PUMPING STATION	
PUMPING STATION FRAMING PLAN OF PUMP ROOM(1/2)	
JAPAN INTERNATIONAL COOPERATION AGENCY(JICA) SANYU CONSULTANTS INC, PACIFIC CONSULTANTS INTERNATIONAL	
DESIGNED	
TRACED	
CHECKED	
APPROVED	
DRAWING NO.	PSC-220



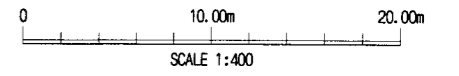
STRUCTURAL FRAMING(B2FL) ③ B2FL=EL.3.15  
SCALE 1:400



STRUCTURAL FRAMING(B3FL) ④ B3FL=EL.1.40  
SCALE 1:400

NOTES:

1. This drawing scale is 1:400.



THE ARAB REPUBLIC OF EGYPT MINISTRY OF WATER RESOURCES AND IRRIGATION NORTH SINAI DEVELOPMENT ORGANIZATION	
THE NORTH SINAI INTEGRATED RURAL DEVELOPMENT PROJECT (PHASE III)	
CONVEYANCE SYSTEM OF EL SHEIKH GABER EL SABBAAH CANAL BETWEEN KM 108.466 AND KM 118.560 EL SALAAM No. 7 (BIR EL ABD) PUMPING STATION	
PUMPING STATION FRAMING PLAN OF PUMP ROOM(2/2)	
JAPAN INTERNATIONAL COOPERATION AGENCY(JICA) SANYU CONSULTANTS INC, PACIFIC CONSULTANTS INTERNATIONAL	
DESIGNED	
TRACED	
CHECKED	
APPROVED	
DRAWING NO.	PSC-221