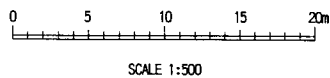


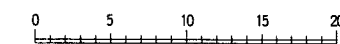
NOTES:
1. This drawing scale is 1:500



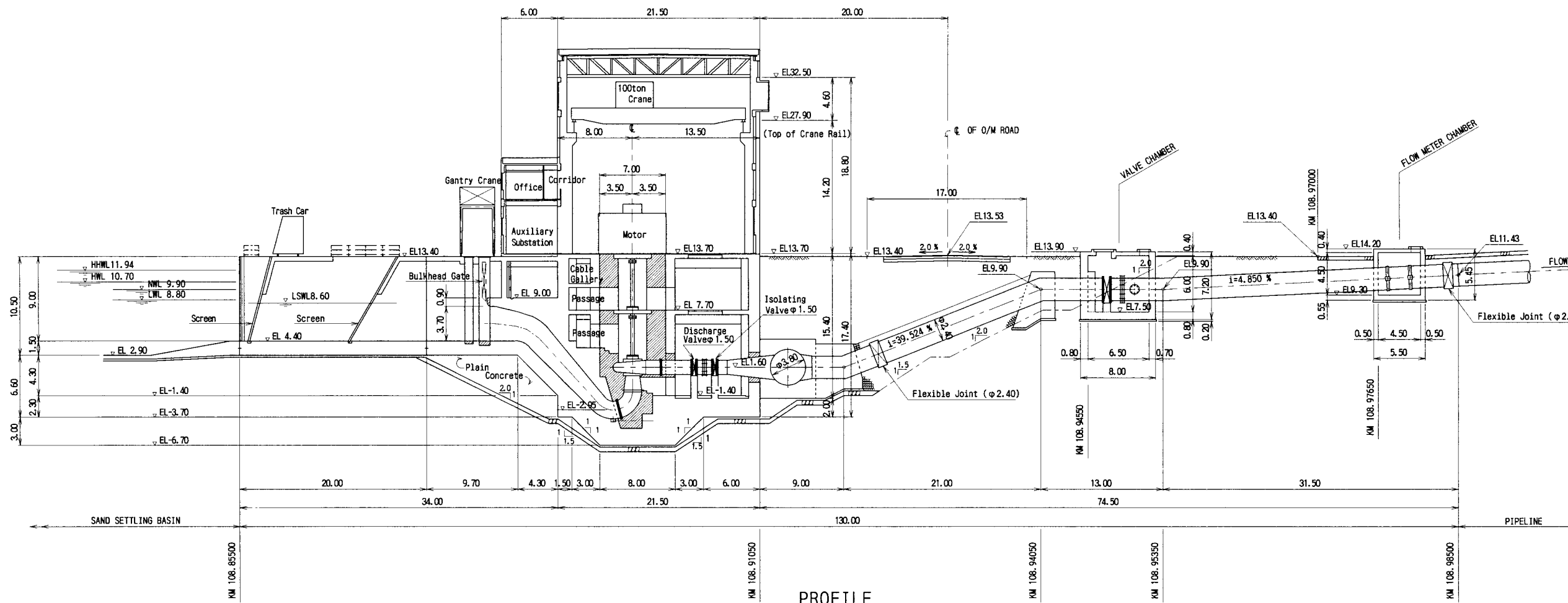
THE ARAB REPUBLIC OF EGYPT MINISTRY OF WATER RESOURCES AND IRRIGATION NORTH SINAI DEVELOPMENT ORGANIZATION	
THE NORTH SINAI INTEGRATED RURAL DEVELOPMENT PROJECT (PHASE III)	
CONVEYANCE SYSTEM OF EL SHEIKH GABER EL SABBABH CANAL BETWEEN KM 108.466 AND KM 118.560 EL SALAAM NO.7 (BIR EL ABD) PUMPING STATION	
PUMPING STATION PLAN	
JAPAN INTERNATIONAL COOPERATION AGENCY (JICA) SANYU CONSULTANTS INC. PACIFIC CONSULTANTS INTERNATIONAL	
DESIGNED	
TRACED	
CHECKED	
APPROVED	
DRAWING NO.	PSC-201

NOTES:

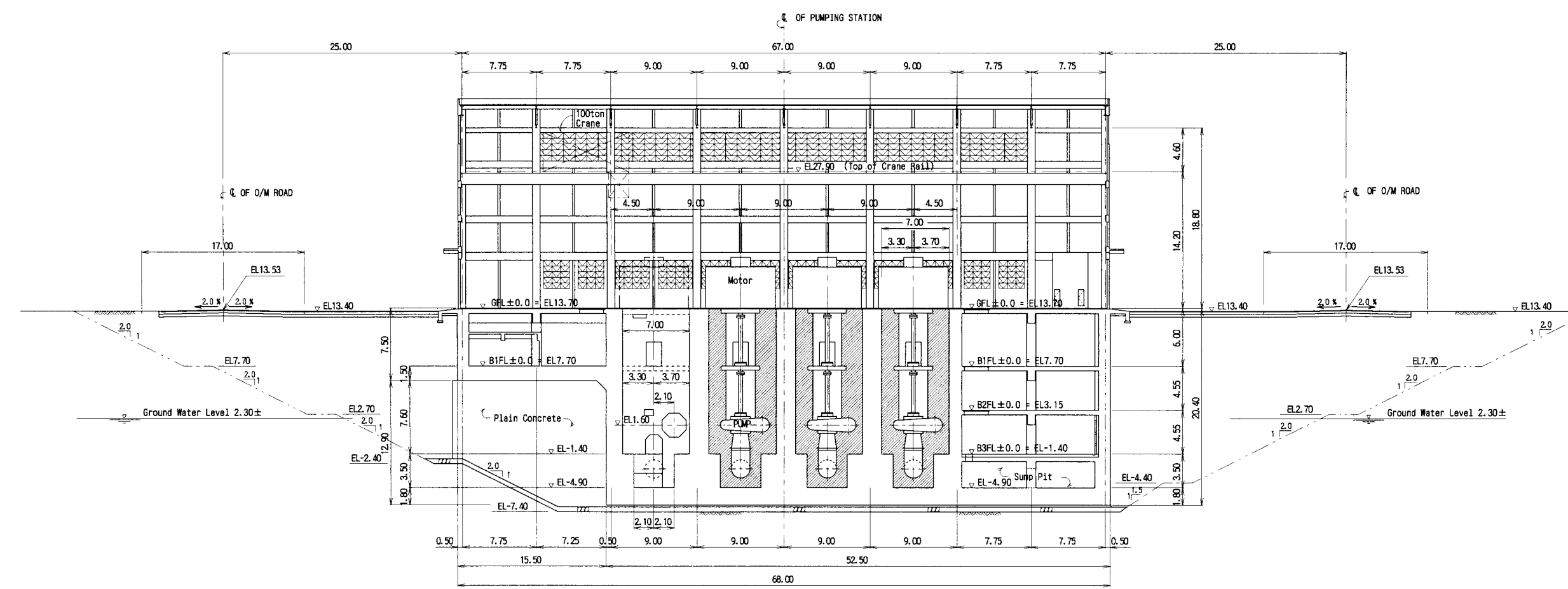
1. Secondary concrete oblique-lined.
2. Reinforcement of secondary concrete by latticed 5 D16/m on exposed face side.
3. This drawing scale is 1:500.



SCALE 1:500

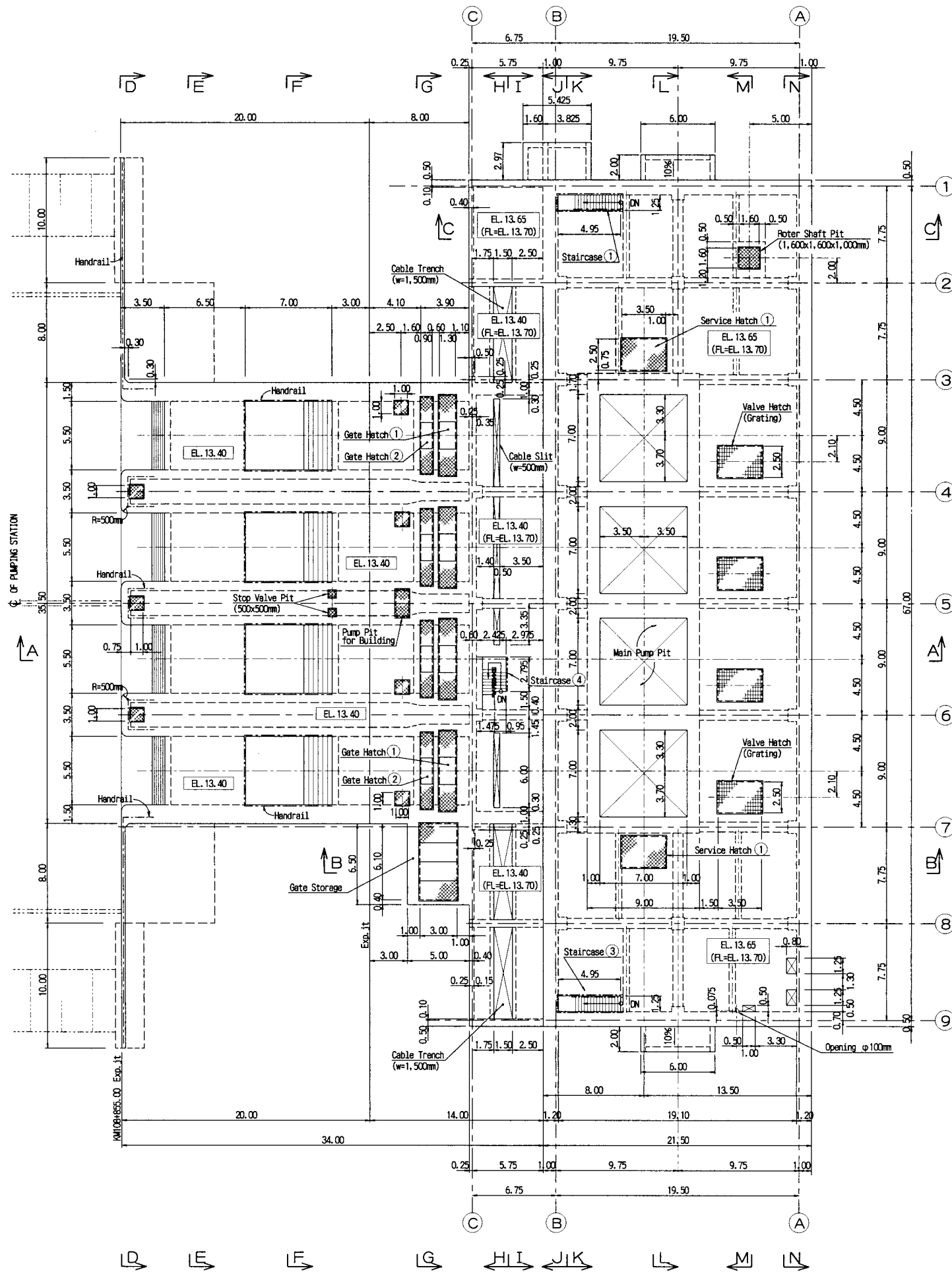


PROFILE

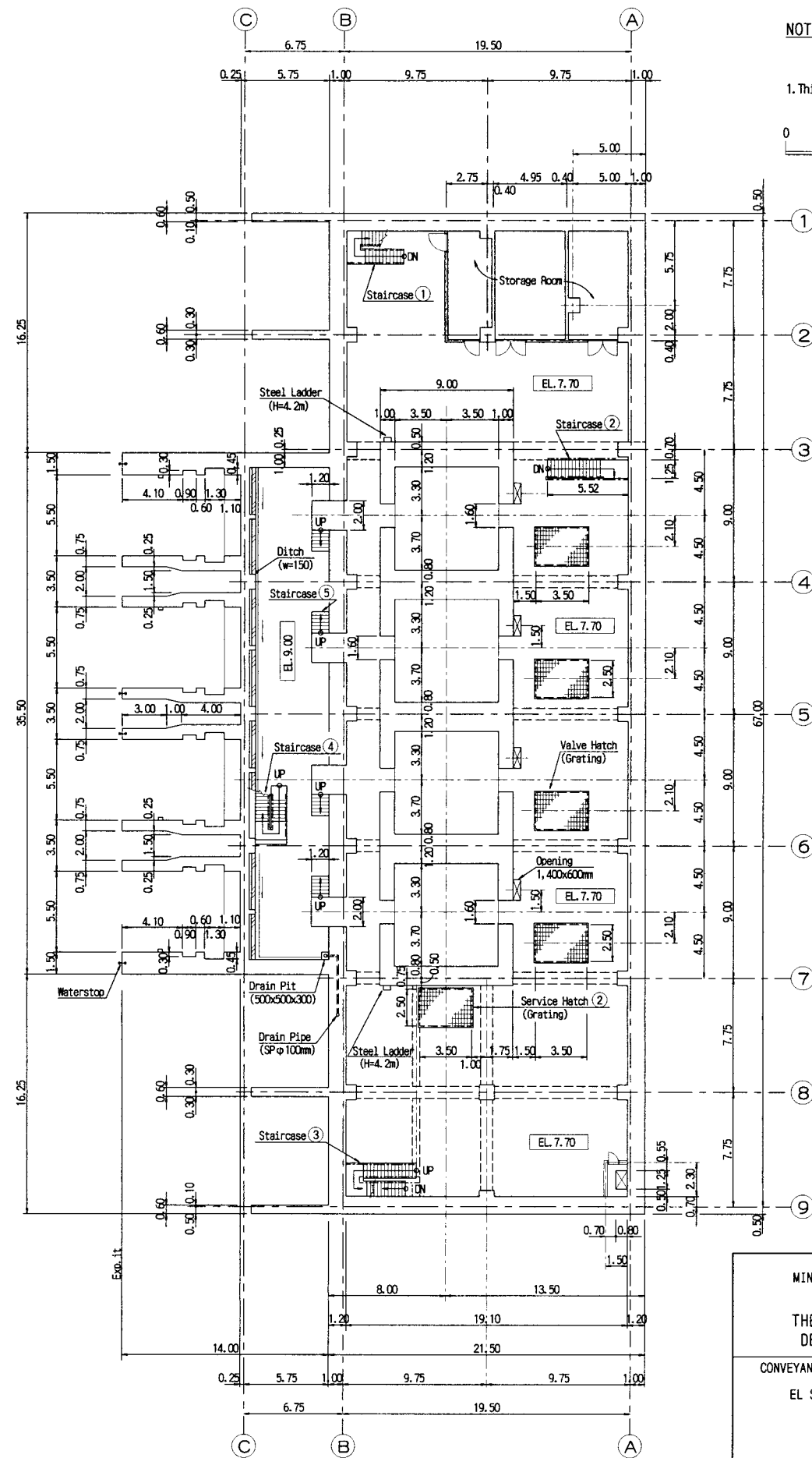


CROSS SECTION

THE ARAB REPUBLIC OF EGYPT MINISTRY OF WATER RESOURCES AND IRRIGATION NORTH SINAI DEVELOPMENT ORGANIZATION	
THE NORTH SINAI INTEGRATED RURAL DEVELOPMENT PROJECT (PHASE III)	
CONVEYANCE SYSTEM OF EL SHEIKH GABER EL SABBAAH CANAL BETWEEN KM 108.466 AND KM 118.560 EL SALAAM No. 7 (BIR EL ABD) PUMPING STATION	
PUMPING STATION PROFILE & CROSS SECTION	
JAPAN INTERNATIONAL COOPERATION AGENCY (JICA) SANYU CONSULTANTS INC, PACIFIC CONSULTANTS INTERNATIONAL	
DESIGNED	
TRACED	
CHECKED	
APPROVED	
DRAWING NO.	PSC-202



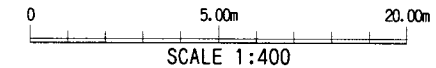
PLAN OF GROUND FLOOR
SCALE 1:400



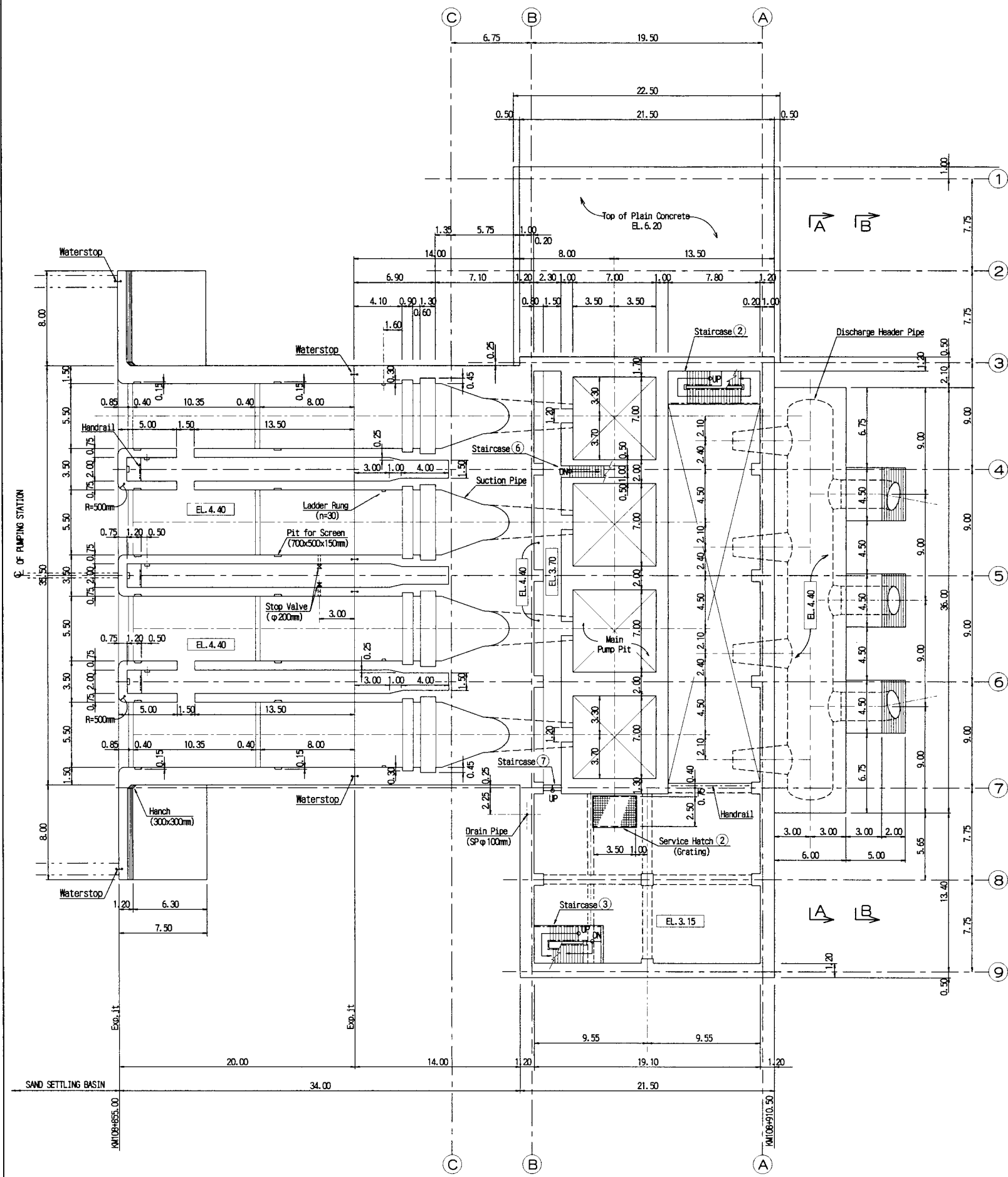
PLAN OF B1 FLOOR
SCALE 1:400

NOTES:

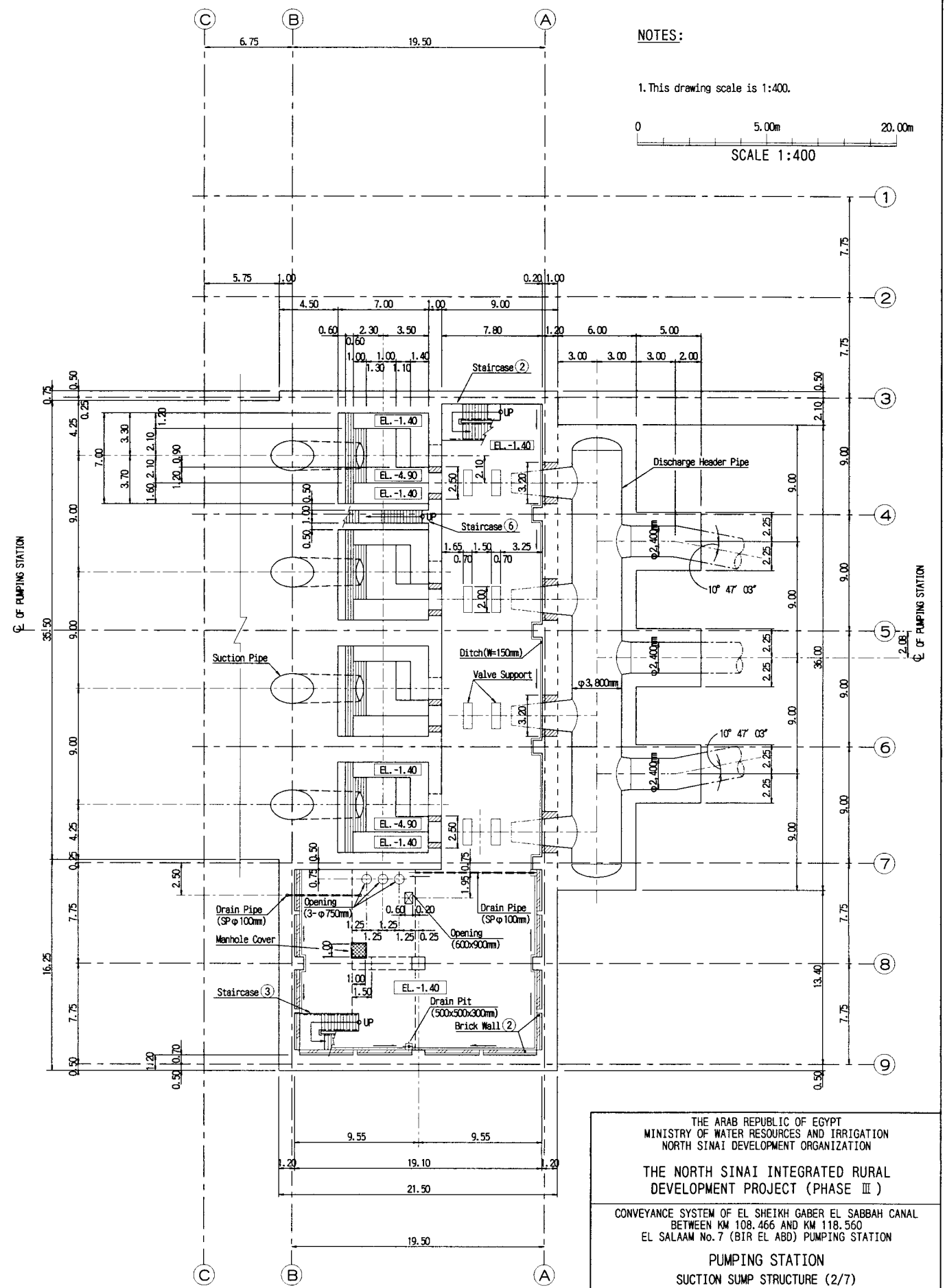
1. This drawing scale is 1:400.



THE ARAB REPUBLIC OF EGYPT MINISTRY OF WATER RESOURCES AND IRRIGATION NORTH SINAI DEVELOPMENT ORGANIZATION	
THE NORTH SINAI INTEGRATED RURAL DEVELOPMENT PROJECT (PHASE III)	
CONVEYANCE SYSTEM OF EL SHEIKH GABER EL SABBAAH CANAL BETWEEN KM 108.466 AND KM 118.560 EL SALAAM No. 7 (BIR EL ABD) PUMPING STATION	
PUMPING STATION SUCTION SUMP STRUCTURE (1/7)	
JAPAN INTERNATIONAL COOPERATION AGENCY (JICA) SANYU CONSULTANTS INC. PACIFIC CONSULTANTS INTERNATIONAL	
DESIGNED	
TRACED	
CHECKED	
APPROVED	
DRAWING NO.	PSC-203



PLAN OF B2 FLOOR
SCALE 1:400



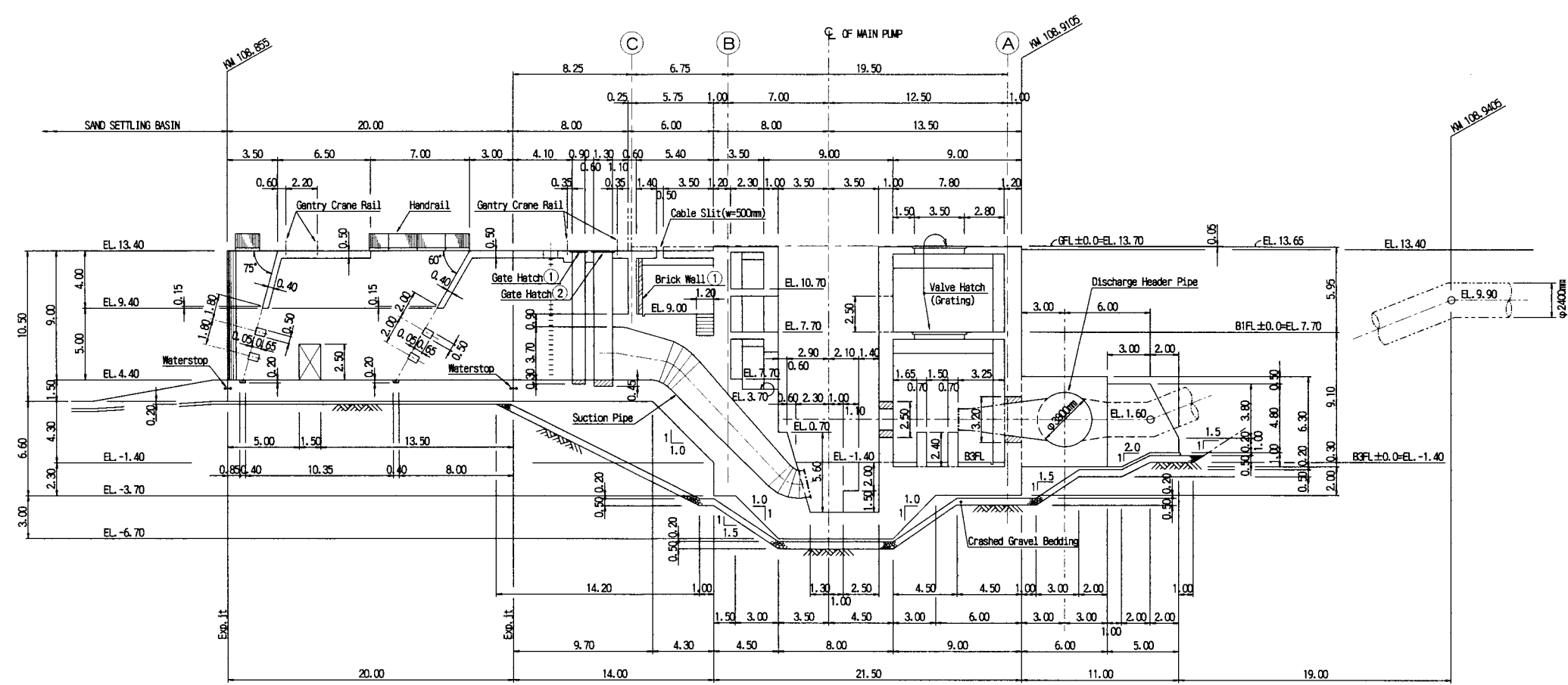
PLAN OF B3 FLOOR
SCALE 1:400

NOTES:
1. This drawing scale is 1:400.
0 5.00m 20.00m
SCALE 1:400

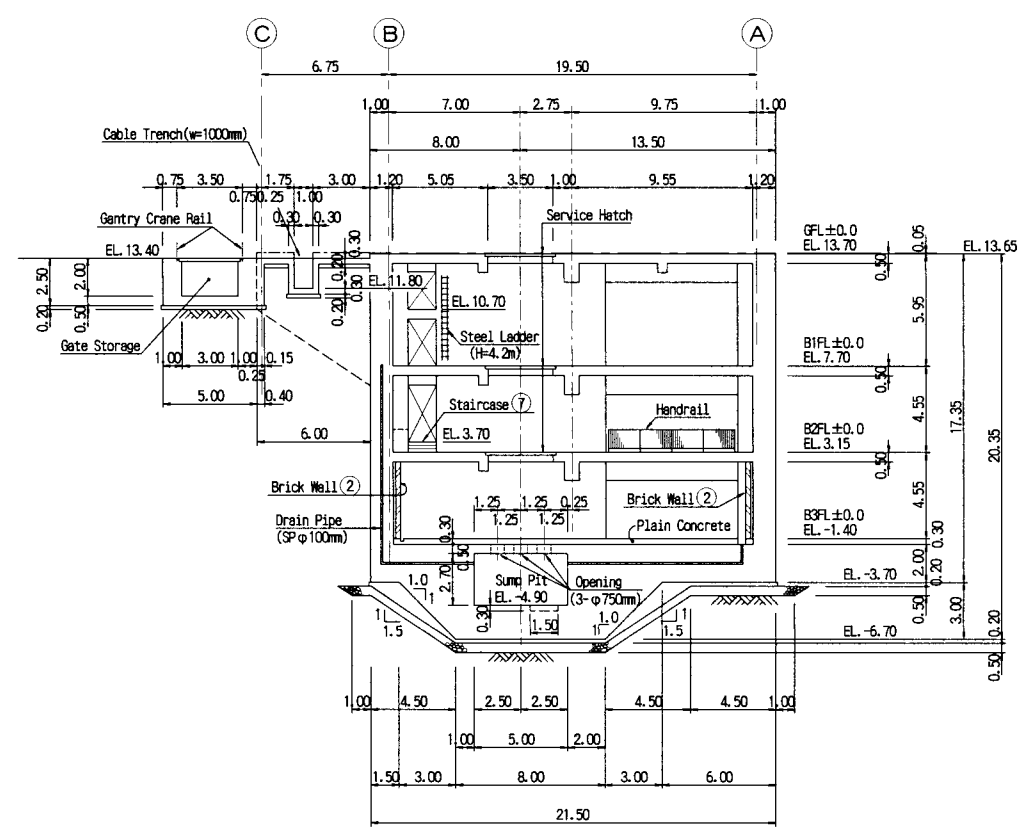
THE ARAB REPUBLIC OF EGYPT MINISTRY OF WATER RESOURCES AND IRRIGATION NORTH SINAI DEVELOPMENT ORGANIZATION	
THE NORTH SINAI INTEGRATED RURAL DEVELOPMENT PROJECT (PHASE III)	
CONVEYANCE SYSTEM OF EL SHEIKH GABER EL SABBABH CANAL BETWEEN KM 108.466 AND KM 118.560 EL SALAAM No. 7 (BIR EL ABD) PUMPING STATION	
PUMPING STATION SUCTION SUMP STRUCTURE (2/7)	
JAPAN INTERNATIONAL COOPERATION AGENCY (JICA) SANYU CONSULTANTS INC. PACIFIC CONSULTANTS INTERNATIONAL	
DESIGNED	
TRACED	
CHECKED	
APPROVED	
DRAWING NO.	PSC-204

NOTES:

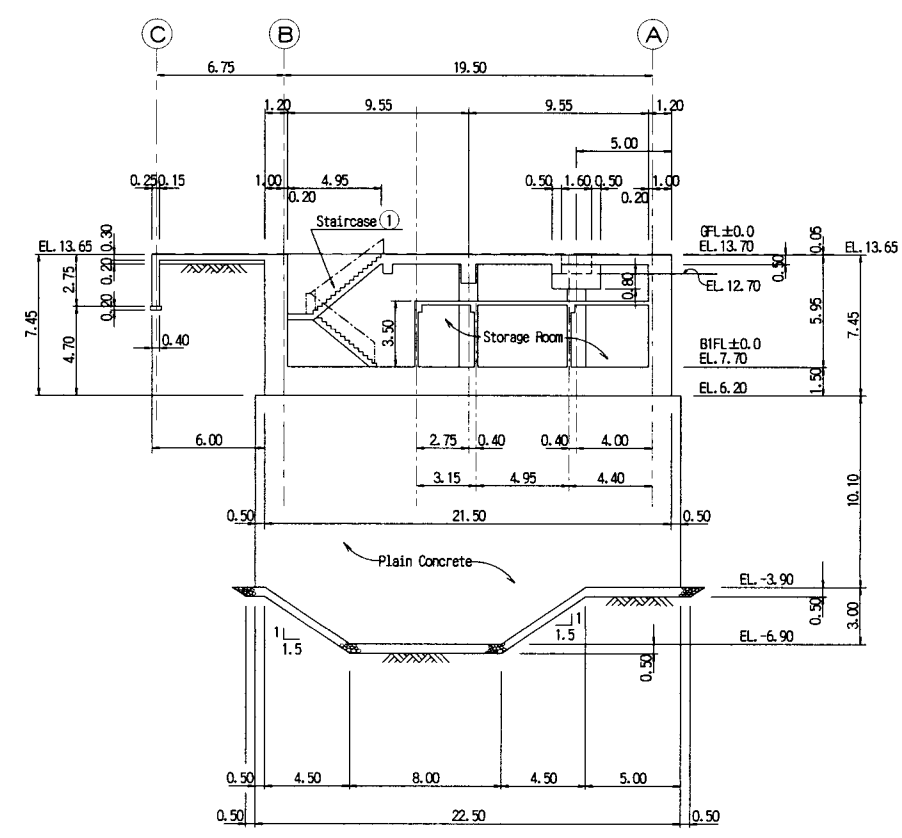
1. Secondary concrete oblique-lined.
2. Reinforcement of secondary concrete by latticed 5 D16/m on exposed face side.
3. This drawing scale is 1:400.



SECTION A-A
SCALE 1:400

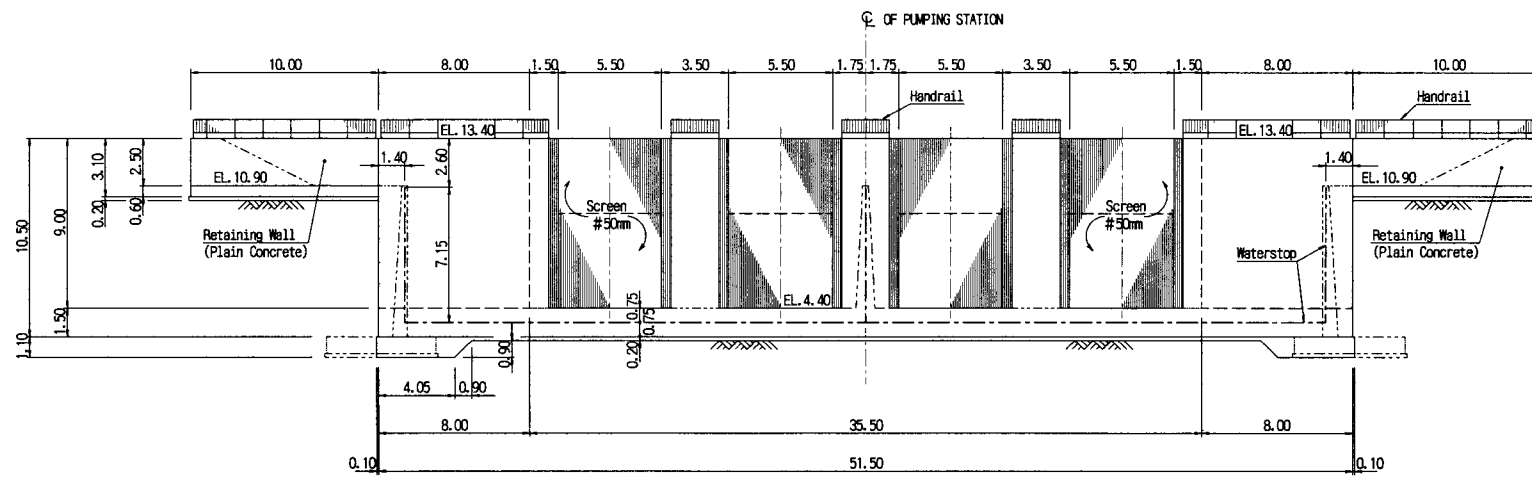


SECTION B-B
SCALE 1:400

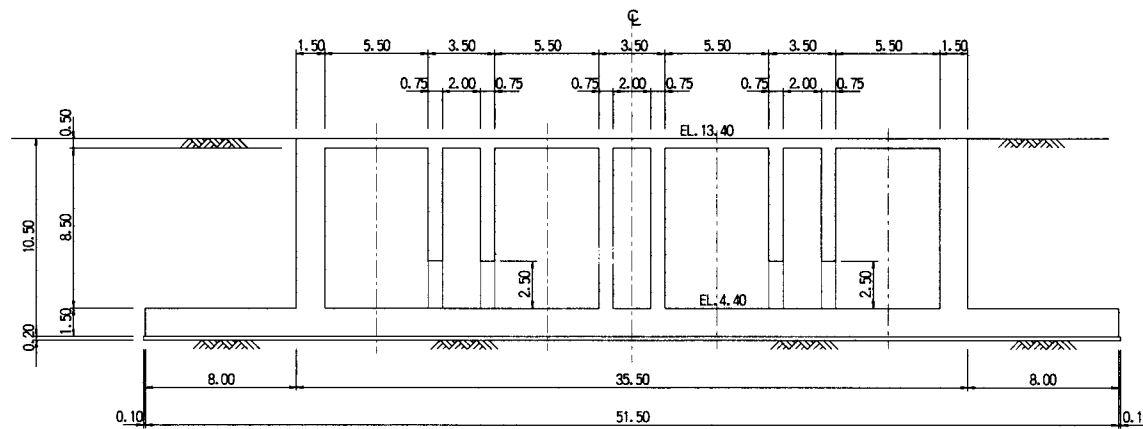


SECTION C-C
SCALE 1:400

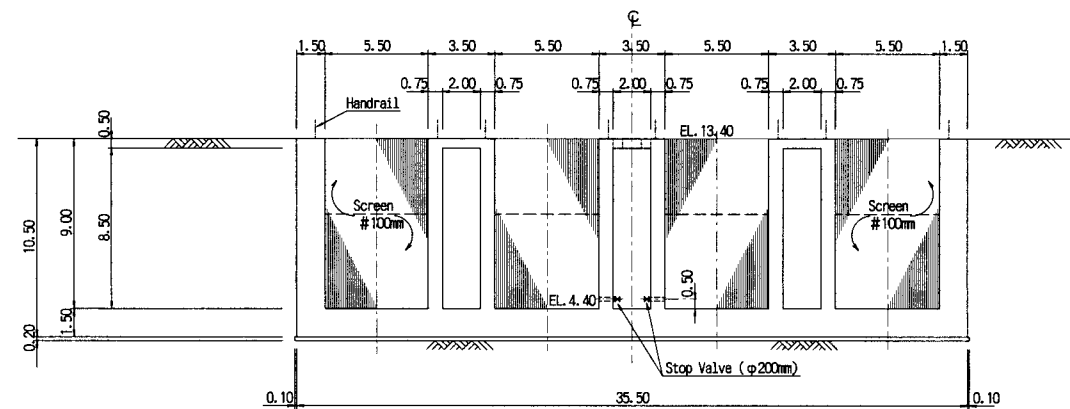
THE ARAB REPUBLIC OF EGYPT MINISTRY OF WATER RESOURCES AND IRRIGATION NORTH SINAI DEVELOPMENT ORGANIZATION	
THE NORTH SINAI INTEGRATED RURAL DEVELOPMENT PROJECT (PHASE III)	
CONVEYANCE SYSTEM OF EL SHEIKH GABER EL SABBAAH CANAL BETWEEN KM 108.466 AND KM 118.560 EL SALAAM No.7 (BIR EL ABD) PUMPING STATION	
PUMPING STATION SUCTION SUMP STRUCTURE (3/7)	
JAPAN INTERNATIONAL COOPERATION AGENCY (JICA) SANYU CONSULTANTS INC, PACIFIC CONSULTANTS INTERNATIONAL	
DESIGNED	
TRACED	
CHECKED	
APPROVED	
DRAWING NO.	PSC-205



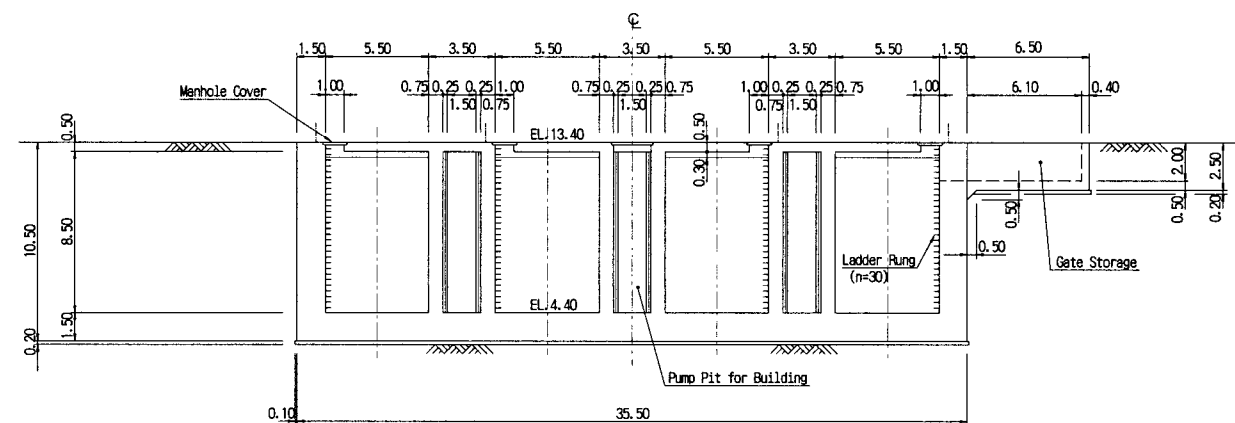
SECTION D-D
SCALE 1:400



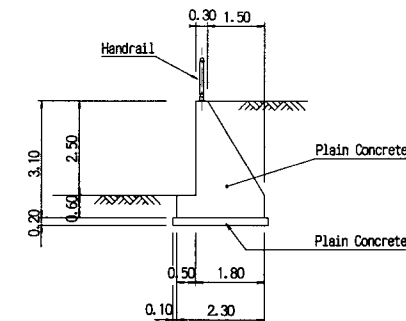
SECTION E-E
SCALE 1:400



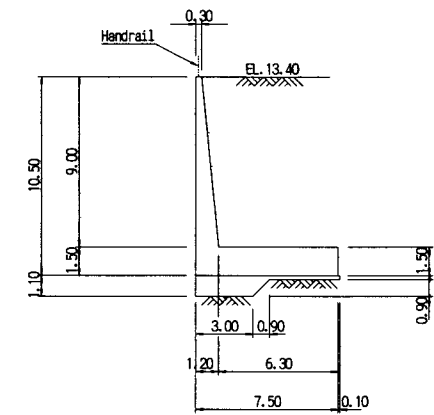
SECTION F-F
SCALE 1:400



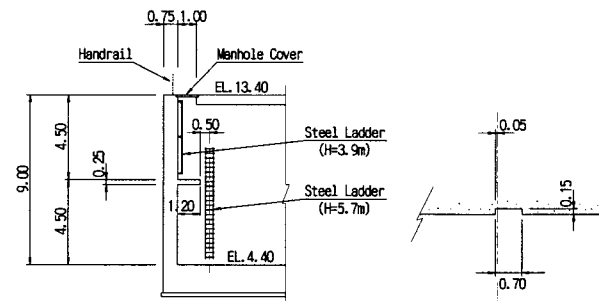
SECTION G-G
SCALE 1:400



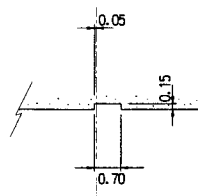
SECTION a-a
SCALE 1:200



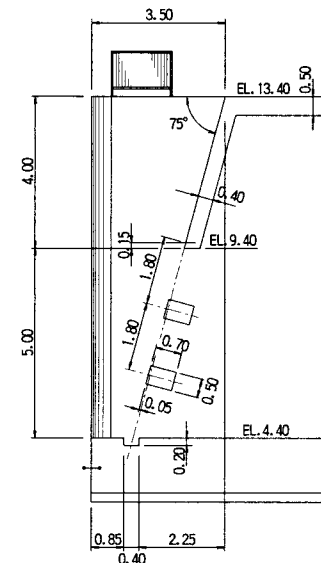
SECTION b-b
SCALE 1:400



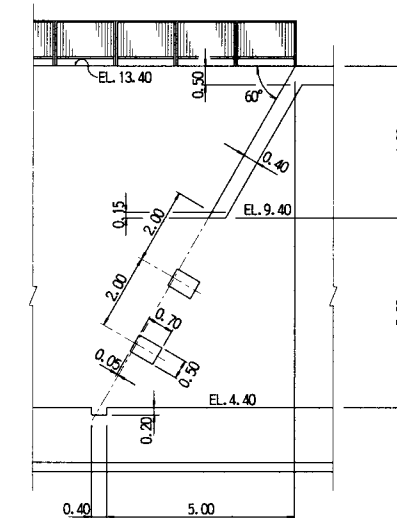
SECTION c-c
SCALE 1:400



SECTION f-f
SCALE 1:200



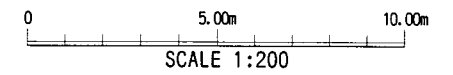
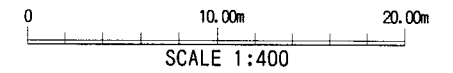
SECTION d-d
SCALE 1:200



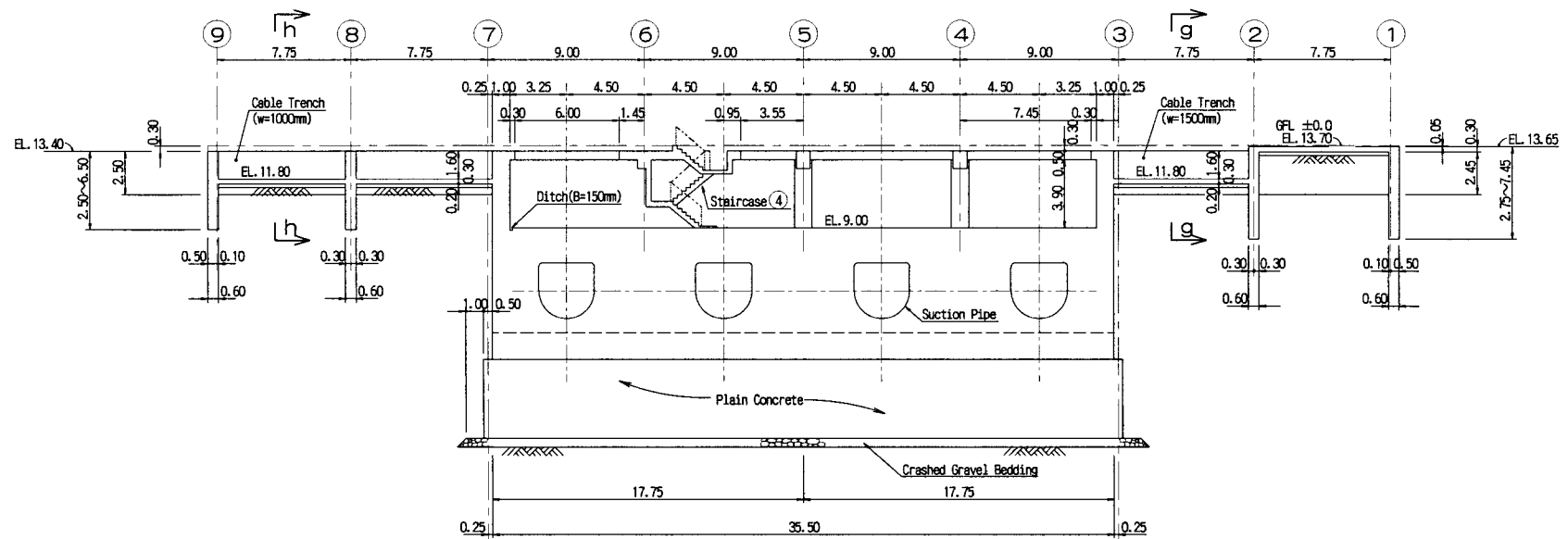
SECTION e-e
SCALE 1:200

NOTES:

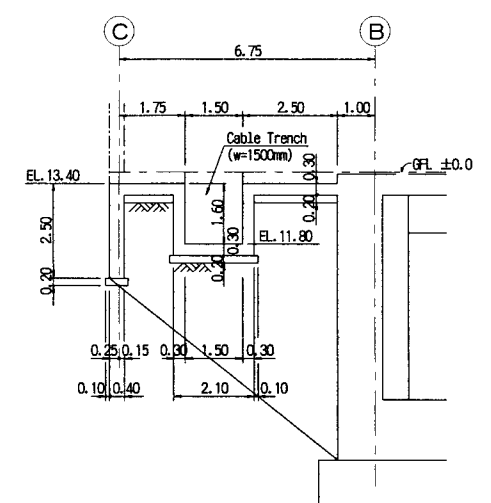
1. This drawing scales are as follows:



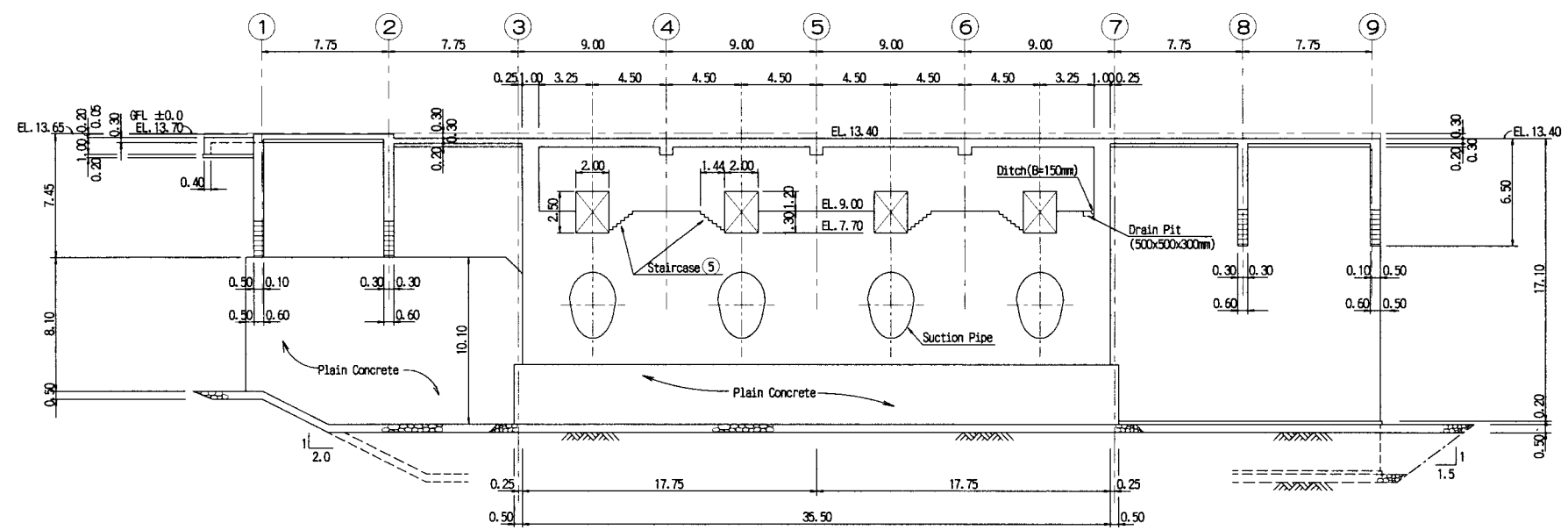
THE ARAB REPUBLIC OF EGYPT MINISTRY OF WATER RESOURCES AND IRRIGATION NORTH SINAI DEVELOPMENT ORGANIZATION	
THE NORTH SINAI INTEGRATED RURAL DEVELOPMENT PROJECT (PHASE III)	
CONVEYANCE SYSTEM OF EL SHEIKH GABER EL SABBABH CANAL BETWEEN KM 108.466 AND KM 118.560 EL SALAAM No. 7 (BIR EL ABD) PUMPING STATION	
PUMPING STATION SUCTION SUMP STRUCTURE (4/7)	
JAPAN INTERNATIONAL COOPERATION AGENCY(JICA) SANYU CONSULTANTS INC, PACIFIC CONSULTANTS INTERNATIONAL	
DESIGNED	
TRACED	
CHECKED	
APPROVED	
DRAWING NO.	PSC-206



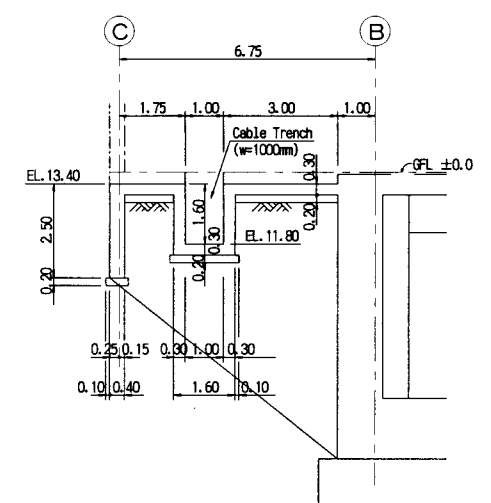
SECTION H-H SCALE 1:400



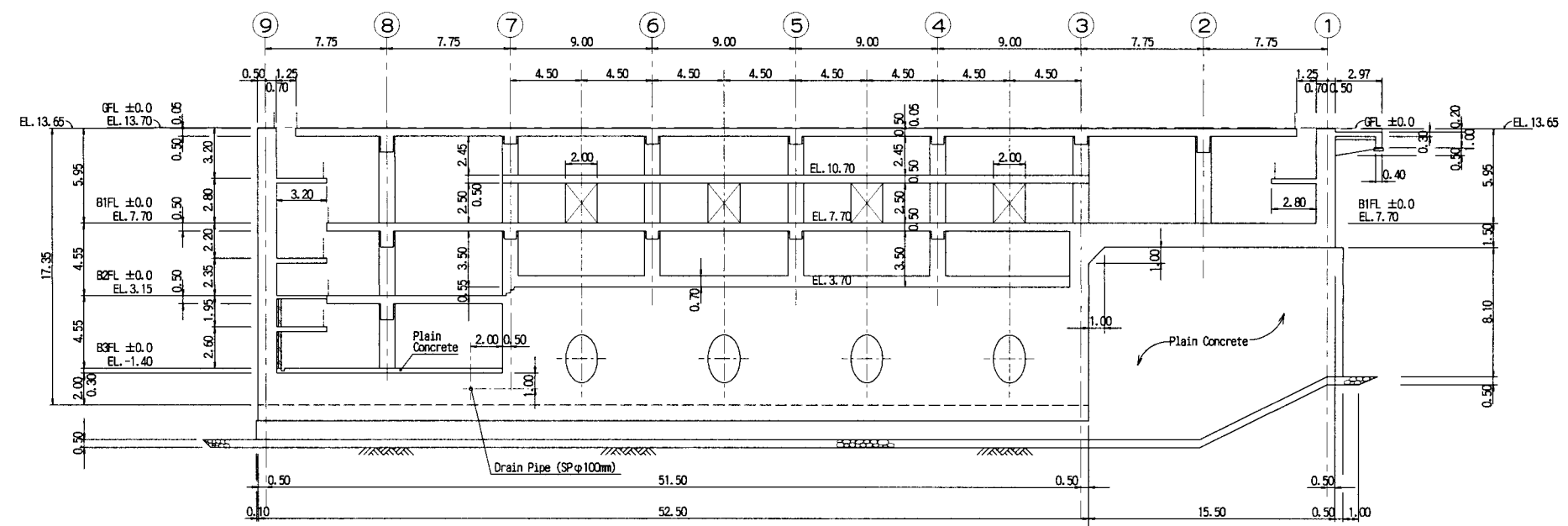
SECTION g-g SCALE 1:200



SECTION I-I SCALE 1:400



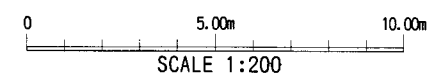
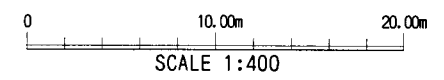
SECTION h-h SCALE 1:200



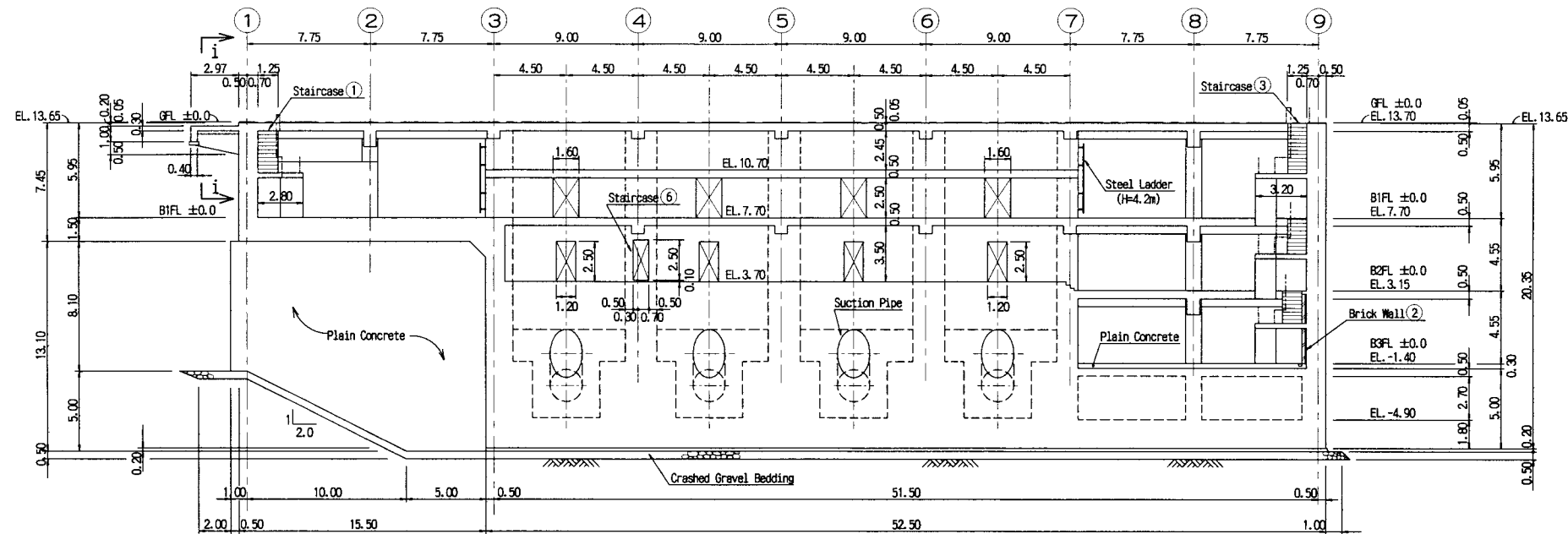
SECTION J-J SCALE 1:400

NOTES:

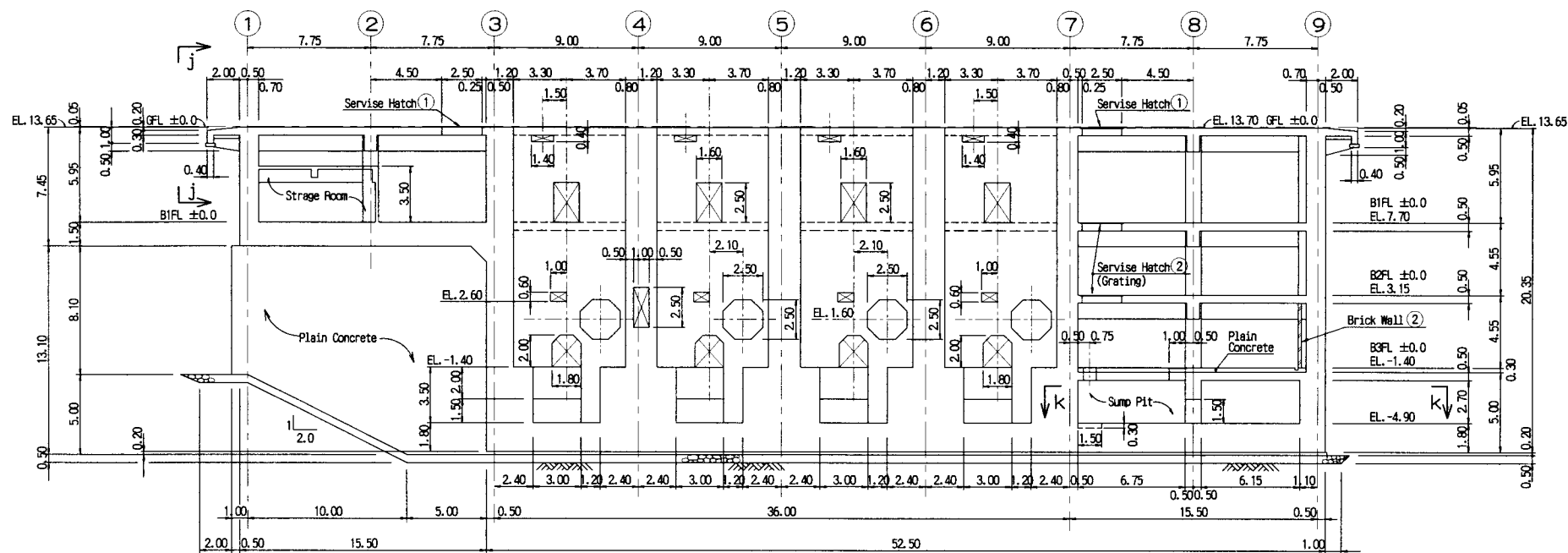
1. This drawing scales are as follows:



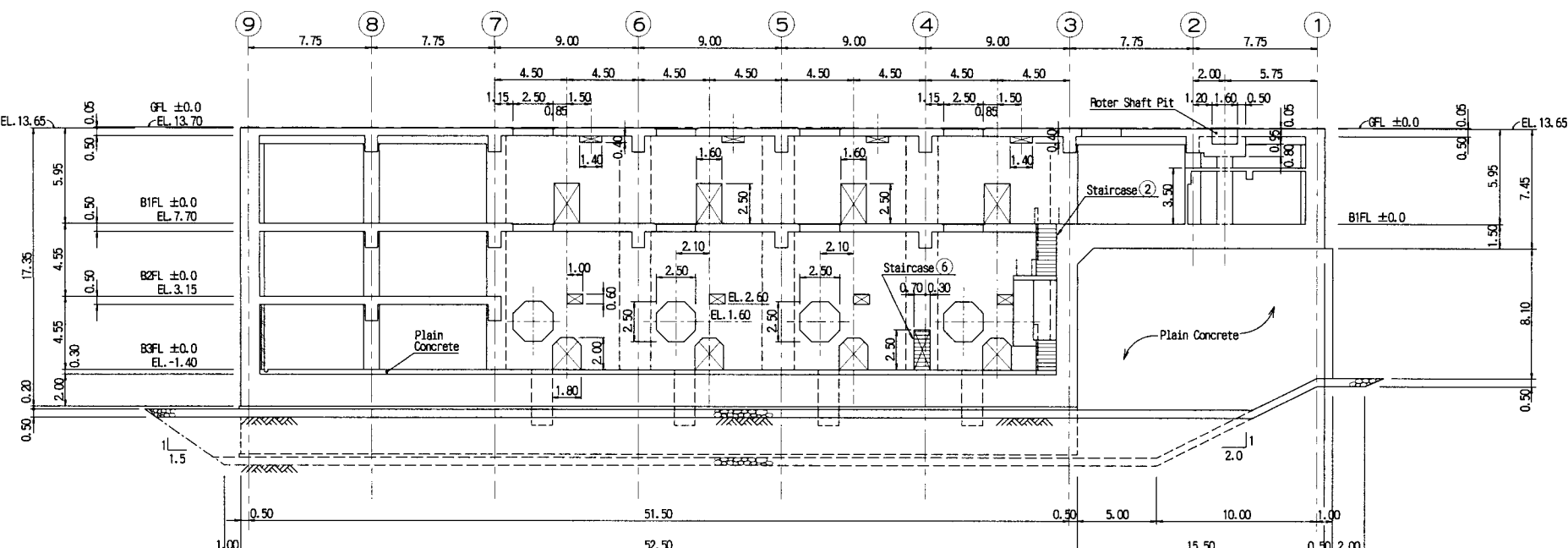
THE ARAB REPUBLIC OF EGYPT MINISTRY OF WATER RESOURCES AND IRRIGATION NORTH SINAI DEVELOPMENT ORGANIZATION	
THE NORTH SINAI INTEGRATED RURAL DEVELOPMENT PROJECT (PHASE III)	
CONVEYANCE SYSTEM OF EL SHEIKH GABER EL SABBABH CANAL BETWEEN KM 108.466 AND KM 118.560 EL SALAAM No.7 (BTR EL ABD) PUMPING STATION	
PUMPING STATION SUCTION SUMP STRUCTURE (5/7)	
JAPAN INTERNATIONAL COOPERATION AGENCY(JICA) SANYU CONSULTANTS INC, PACIFIC CONSULTANTS INTERNATIONAL	
DESIGNED	
TRACED	
CHECKED	
APPROVED	
DRAWING NO.	PSC-207



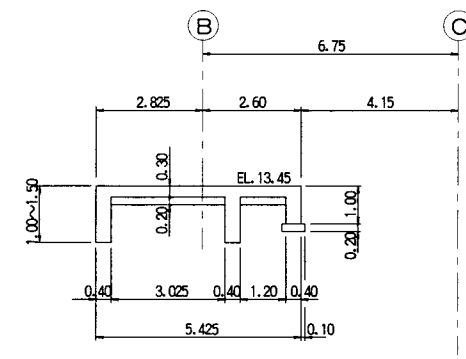
SECTION K-K SCALE 1:400



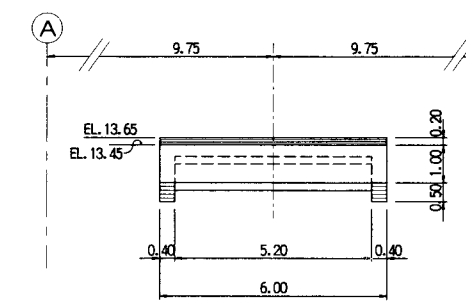
SECTION L-L SCALE 1:400



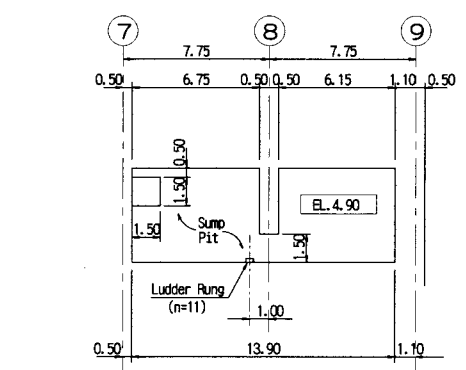
SECTION M-M SCALE 1:400



SECTION i-i SCALE 1:200



SECTION j-i SCALE 1:200



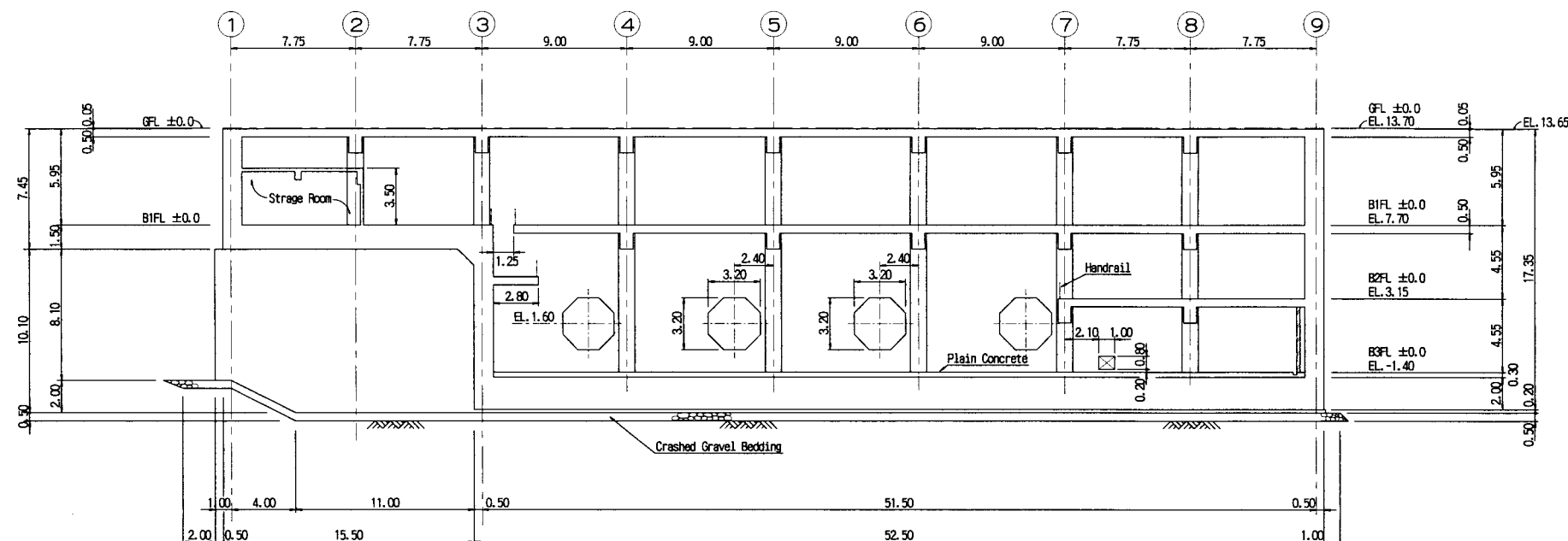
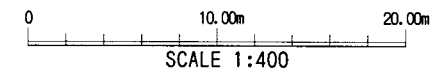
SECTION k-k SCALE 1:400

NOTES:
 1. This drawing scales are as follows:
 0 10.00m 20.00m
 SCALE 1:400
 0 5.00m 10.00m
 SCALE 1:200

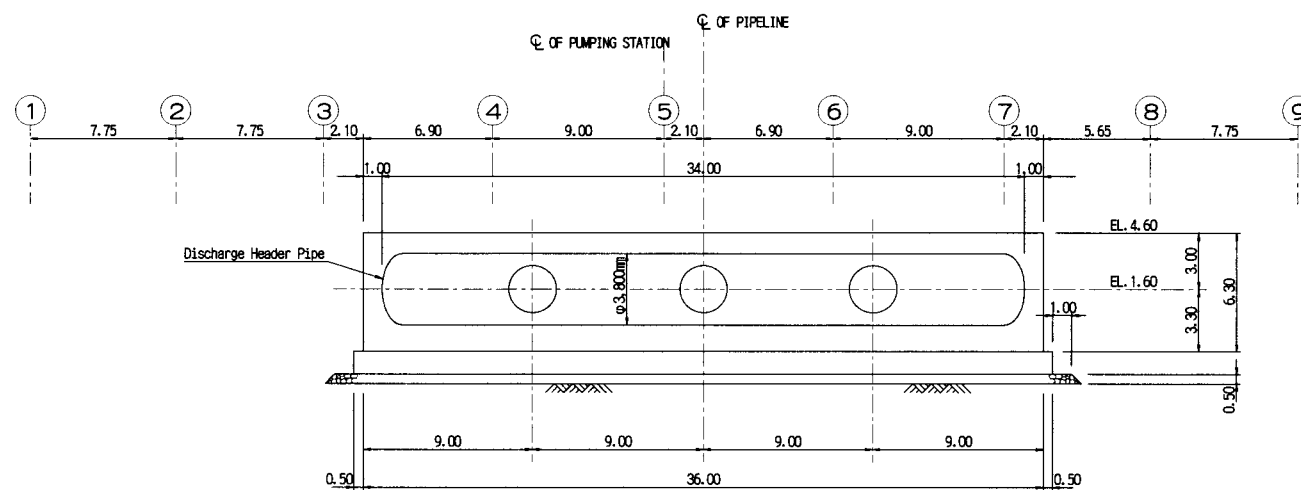
THE ARAB REPUBLIC OF EGYPT MINISTRY OF WATER RESOURCES AND IRRIGATION NORTH SINAI DEVELOPMENT ORGANIZATION	
THE NORTH SINAI INTEGRATED RURAL DEVELOPMENT PROJECT (PHASE III)	
CONVEYANCE SYSTEM OF EL SHEIKH GABER EL SABBABH CANAL BETWEEN KM 108.466 AND KM 118.560 EL SALAAM No. 7 (BIR EL ABD) PUMPING STATION	
PUMPING STATION SUCTION SUMP STRUCTURE (6/7)	
JAPAN INTERNATIONAL COOPERATION AGENCY (JICA) SANYU CONSULTANTS INC, PACIFIC CONSULTANTS INTERNATIONAL	
DESIGNED	
TRACED	
CHECKED	
APPROVED	
DRAWING NO.	PSC-208

NOTES:

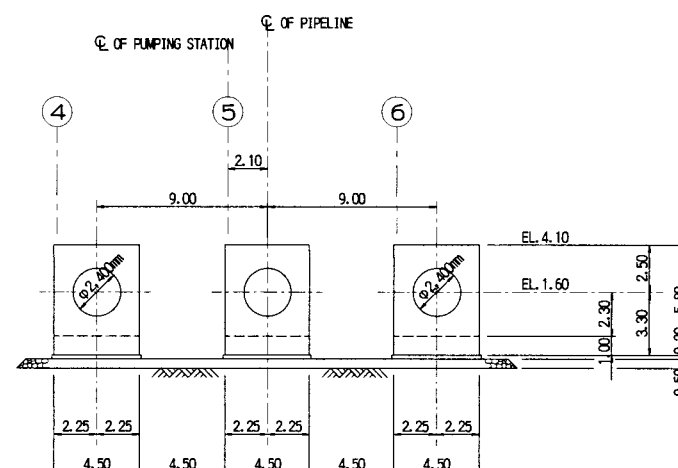
1. This drawing scale is 1:400.



SECTION N-N
SCALE 1:400



SECTION O-O
SCALE 1:400



SECTION P-P
SCALE 1:400

THE ARAB REPUBLIC OF EGYPT MINISTRY OF WATER RESOURCES AND IRRIGATION NORTH SINAI DEVELOPMENT ORGANIZATION	
THE NORTH SINAI INTEGRATED RURAL DEVELOPMENT PROJECT (PHASE III)	
CONVEYANCE SYSTEM OF EL SHEIKH GABER EL SABBAAH CANAL BETWEEN KM 108.456 AND KM 118.560 EL SALAAM No. 7 (BIR EL ABD) PUMPING STATION	
PUMPING STATION SUCTION SUMP STRUCTURE (7/7)	
JAPAN INTERNATIONAL COOPERATION AGENCY (JICA) SANYU CONSULTANTS INC., PACIFIC CONSULTANTS INTERNATIONAL	
DESIGNED	
TRACED	
CHECKED	
APPROVED	
DRAWING NO.	PSC-209