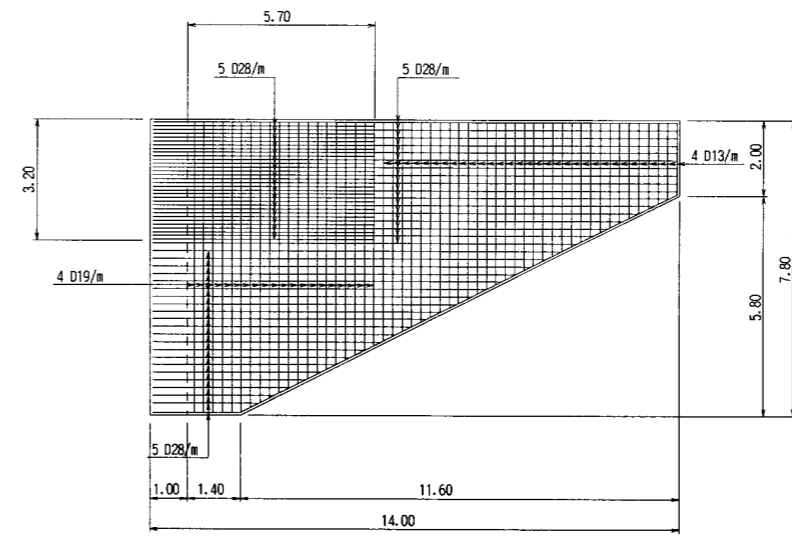
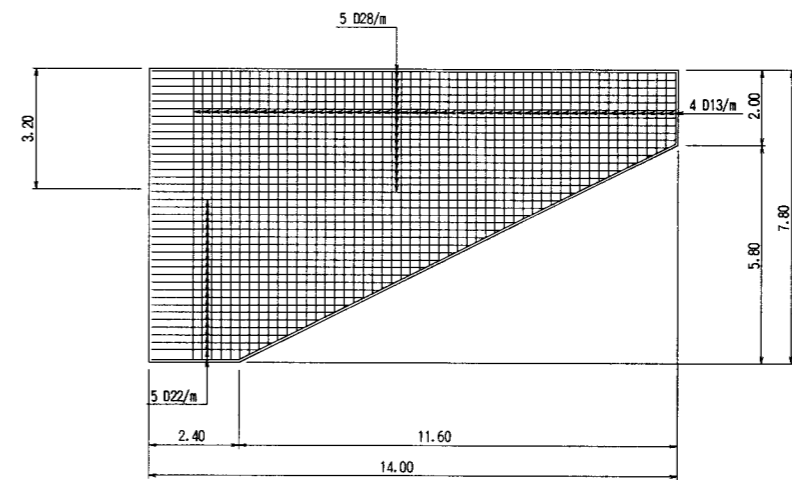


DETAILED PLAN
SCALE 1:200

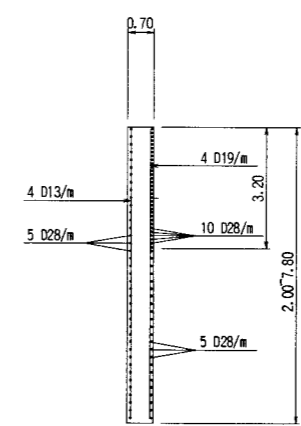
DETAILED PROFILE (SECTION E-E)
SCALE 1:200



SECTION A-A
SCALE 1:200



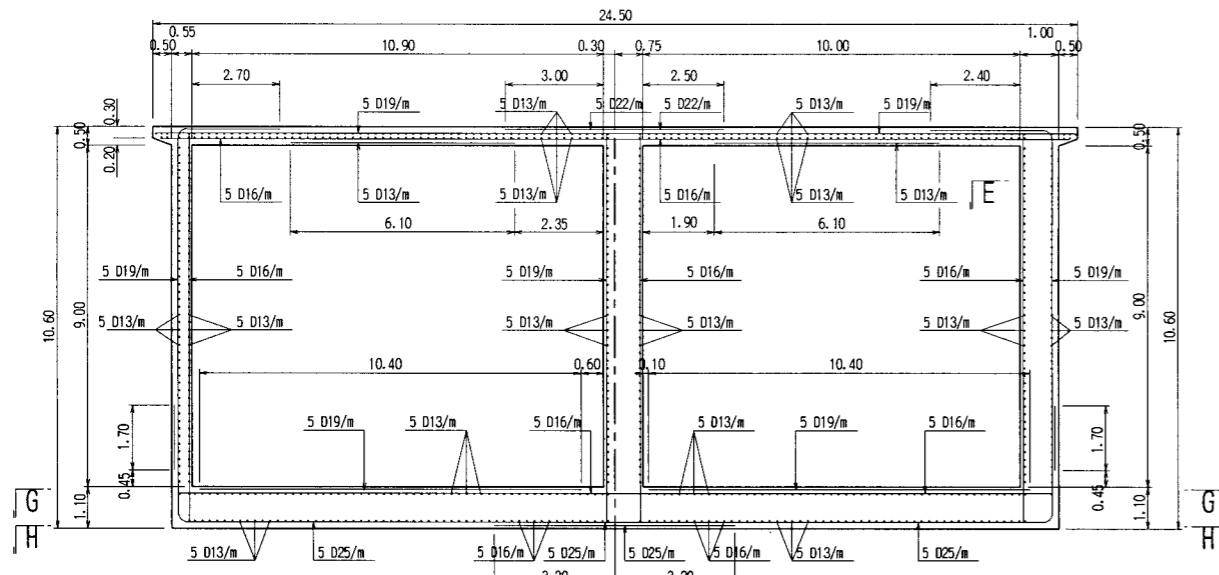
SECTION B-B
SCALE 1:200



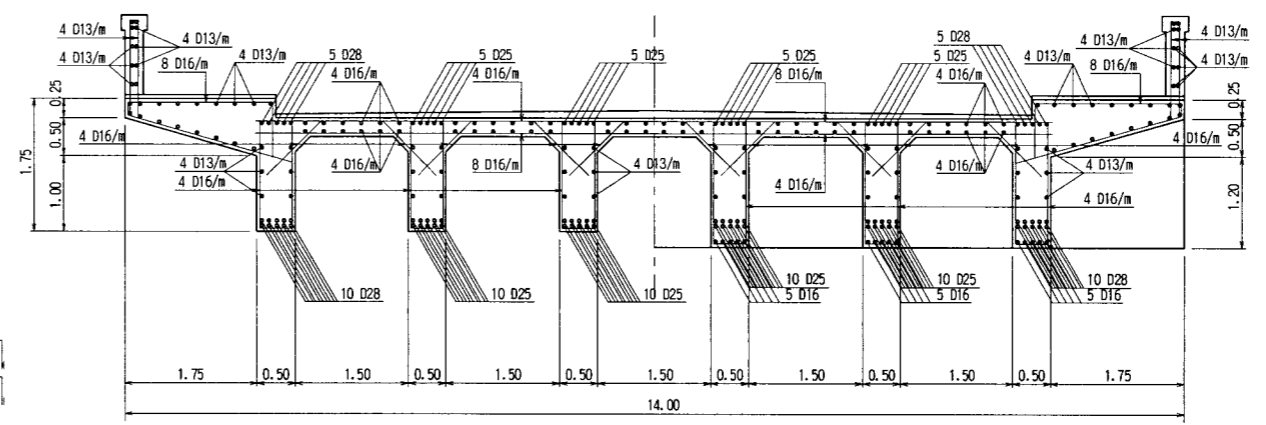
SECTION F-F
SCALE 1:200

NOTES:
1. This drawing scale is as follows :
0 5.00m 10.00m
SCALE 1:200

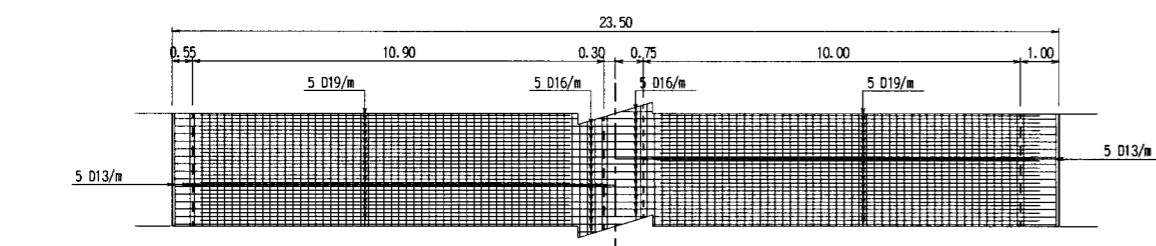
| | |
|--|---------|
| THE ARAB REPUBLIC OF EGYPT MINISTRY OF WATER RESOURCES AND IRRIGATION NORTH SINAI DEVELOPMENT ORGANIZATION | |
| THE NORTH SINAI INTEGRATED RURAL DEVELOPMENT PROJECT (PHASE III) | |
| CONVEYANCE SYSTEM OF EL SHEIKH GABER EL SABBABH CANAL BETWEEN KM 108.466 AND KM 118.560 EL SALAAM No. 7 (BIR EL ABD) PUMPING STATION | |
| DETAILED GATE AND O/M BRIDGE REINFORCEMENTS (1/2) | |
| JAPAN INTERNATIONAL COOPERATION AGENCY (JICA) SANYU CONSULTANTS INC, PACIFIC CONSULTANTS INTERNATIONAL | |
| DESIGNED | |
| TRACED | |
| CHECKED | |
| APPROVED | |
| DRAWING NO. | SSB-206 |



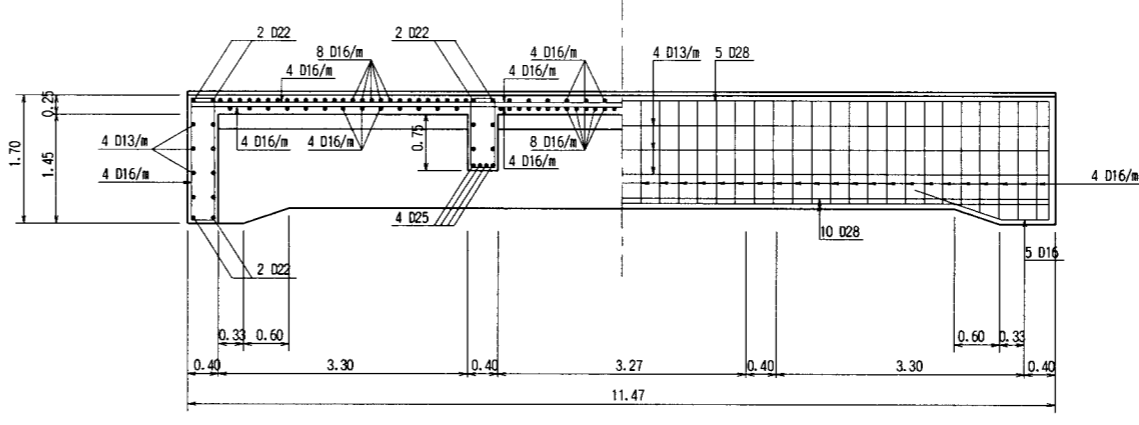
WITH GATE SECTION STANDARD SECTION
SECTION C-C
SCALE 1:200



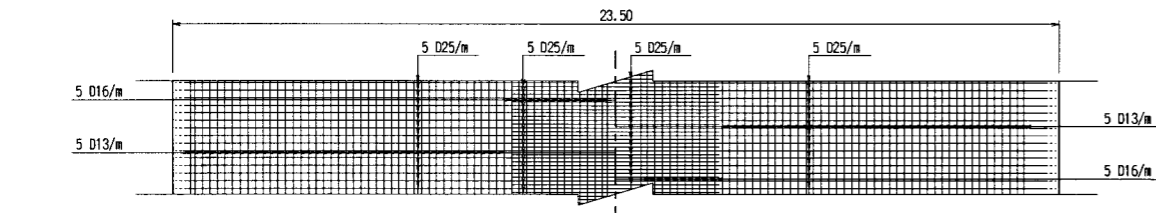
SECTION I-I SECTION J-J
SCALE 1:100 SCALE 1:100



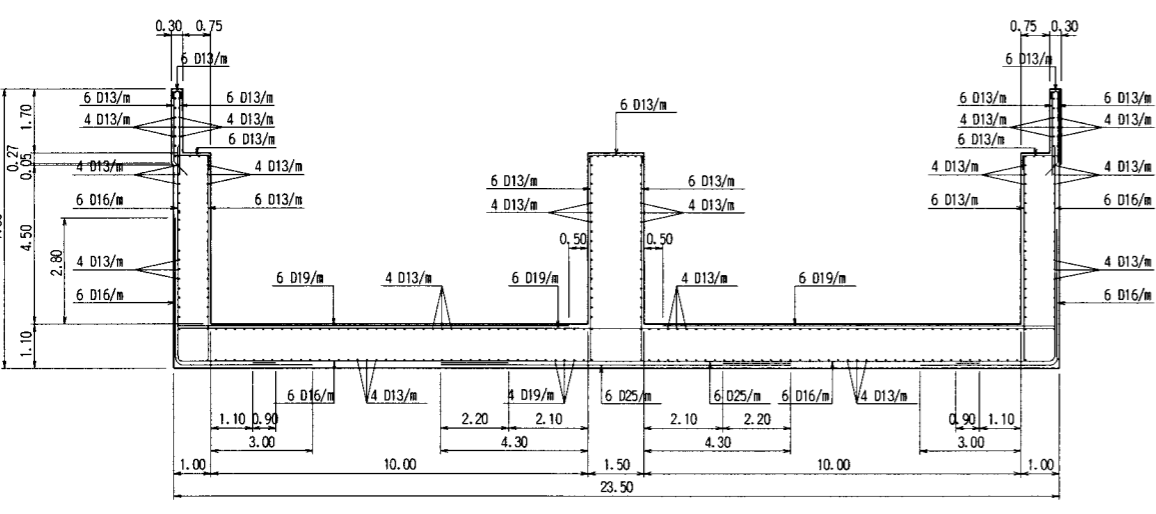
SECTION G-G
SCALE 1:200



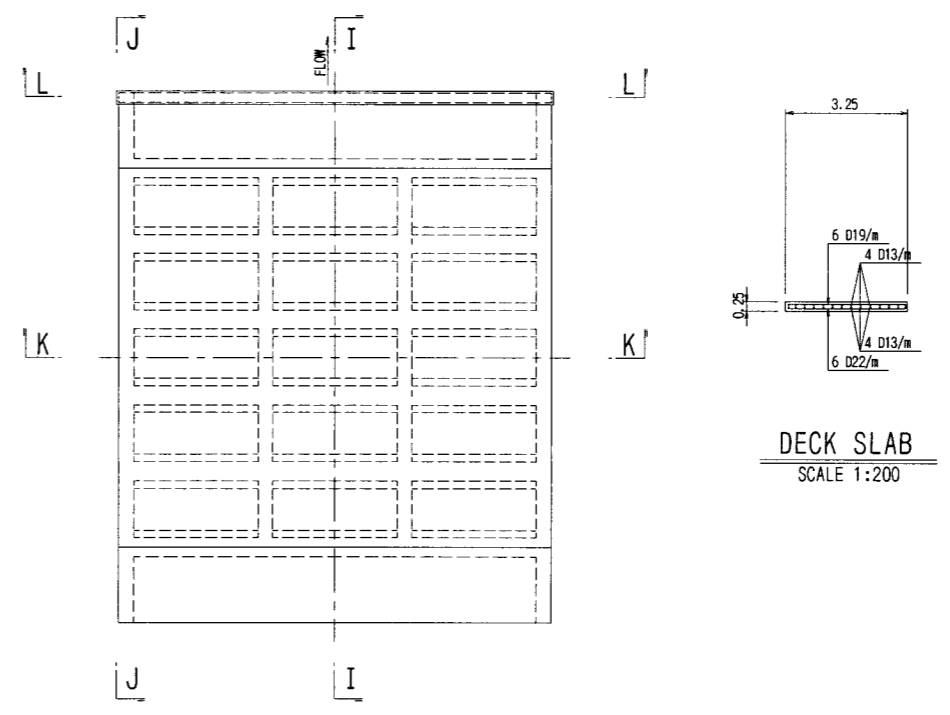
SECTION K-K SECTION L-L
SCALE 1:100 SCALE 1:100



SECTION H-H
SCALE 1:200



SECTION D-D
SCALE 1:200



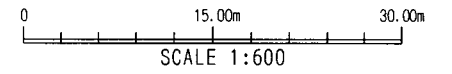
SUPERSTRUCTURE

NOTES:
1. This drawing scale is as follows:
0 5.00m 10.00m
SCALE 1:200
0 5.00m
SCALE 1:100

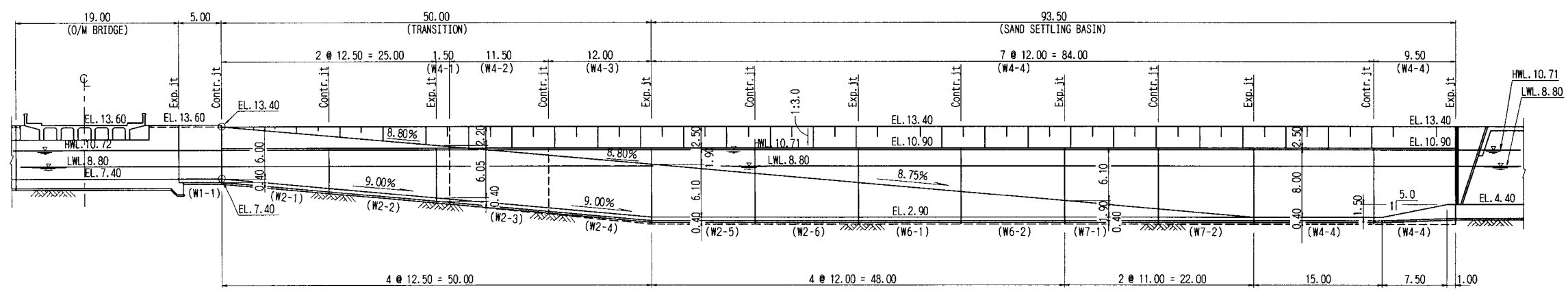
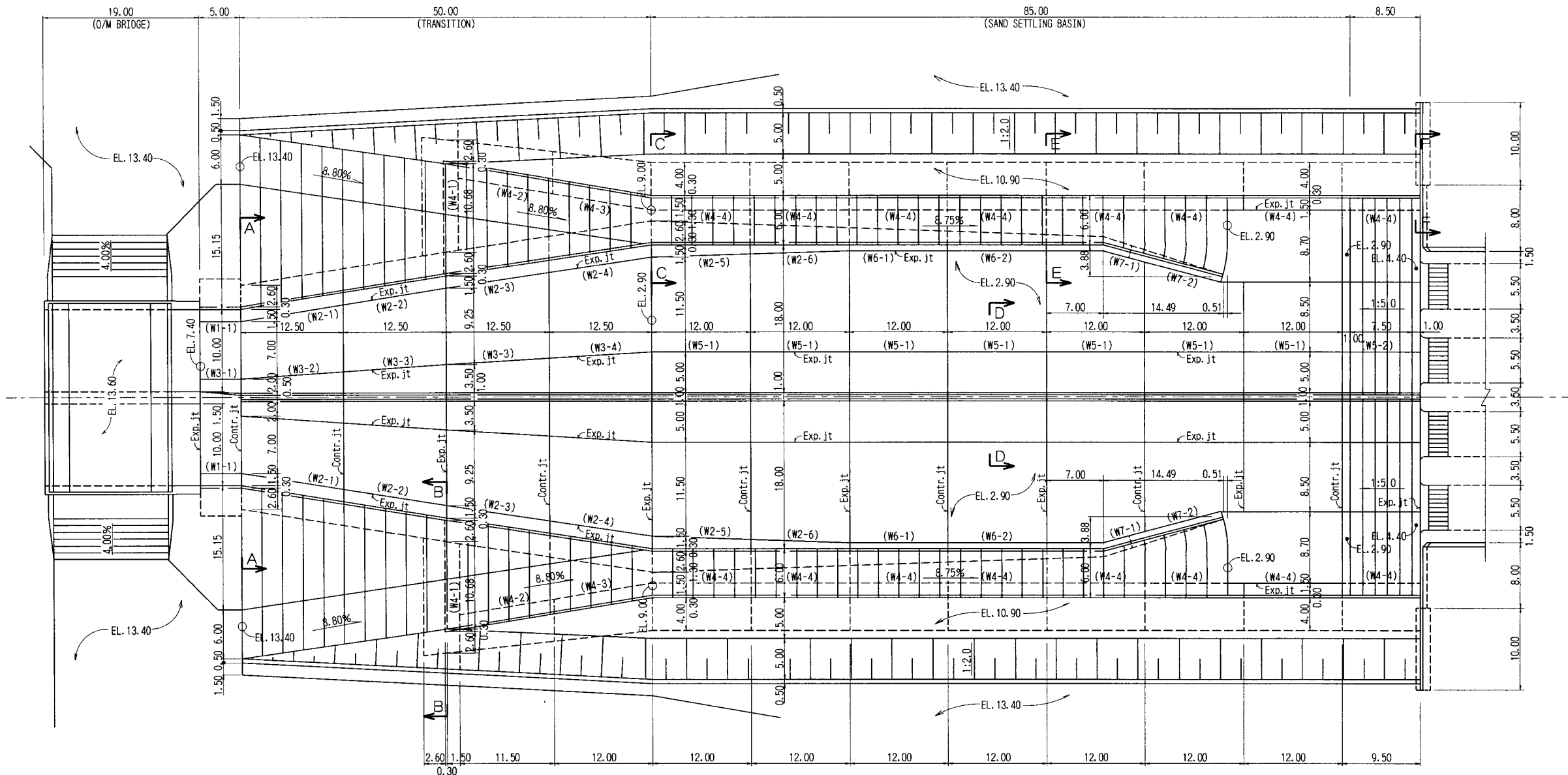
| | |
|---|---------|
| THE ARAB REPUBLIC OF EGYPT MINISTRY OF WATER RESOURCES AND IRRIGATION NORTH SINAI DEVELOPMENT ORGANIZATION | |
| THE NORTH SINAI INTEGRATED RURAL DEVELOPMENT PROJECT (PHASE III) | |
| CONVEYANCE SYSTEM OF EL SHEIKH GABER EL SABBAH CANAL BETWEEN KM 108.466 AND KM 118.560 EL SALAAM No. 7 (BIR EL ABD) PUMPING STATION | |
| DETAILED GATE AND O/M BRIDGE REINFORCEMENTS (2/2) | |
| JAPAN INTERNATIONAL COOPERATION AGENCY (JICA) SANYU CONSULTANTS INC, PACIFIC CONSULTANTS INTERNATIONAL | |
| DESIGNED | |
| TRACED | |
| CHECKED | |
| APPROVED | |
| DRAWING NO. | SSB-207 |

NOTES:

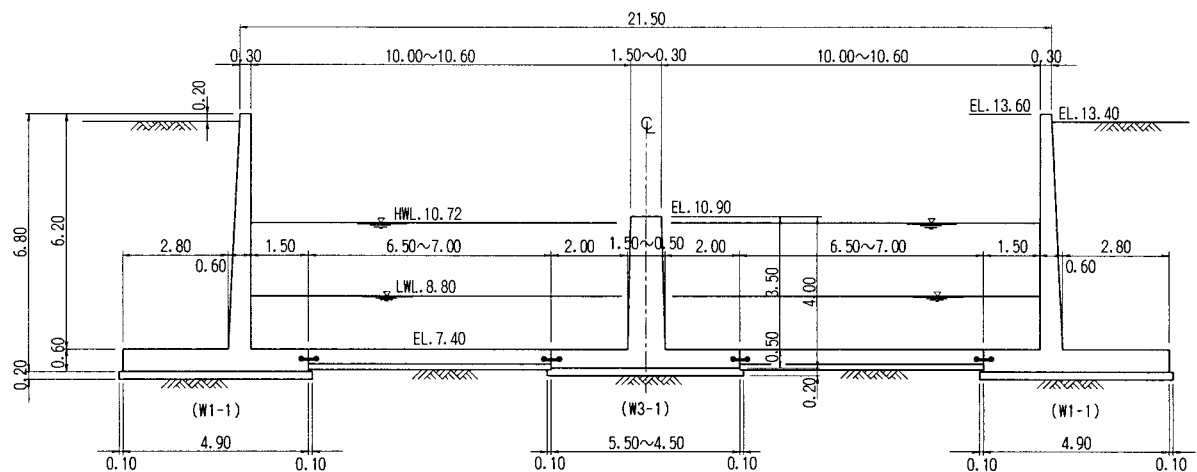
1. This drawing scale is 1:600.



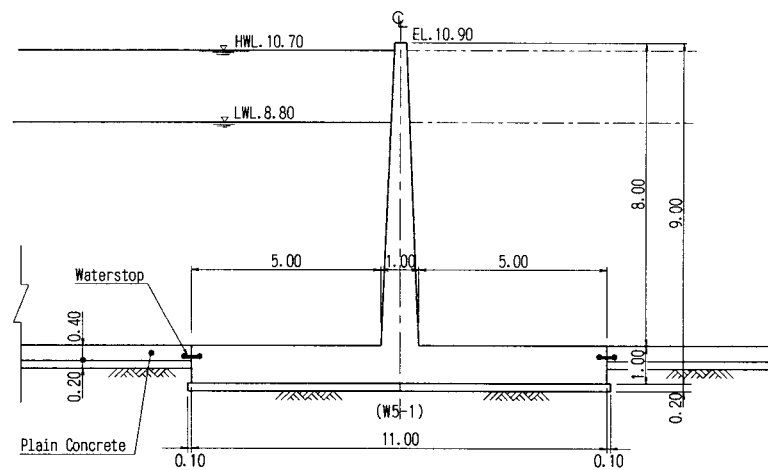
2. This waterstop shall be installed in all contraction and expansion joints.



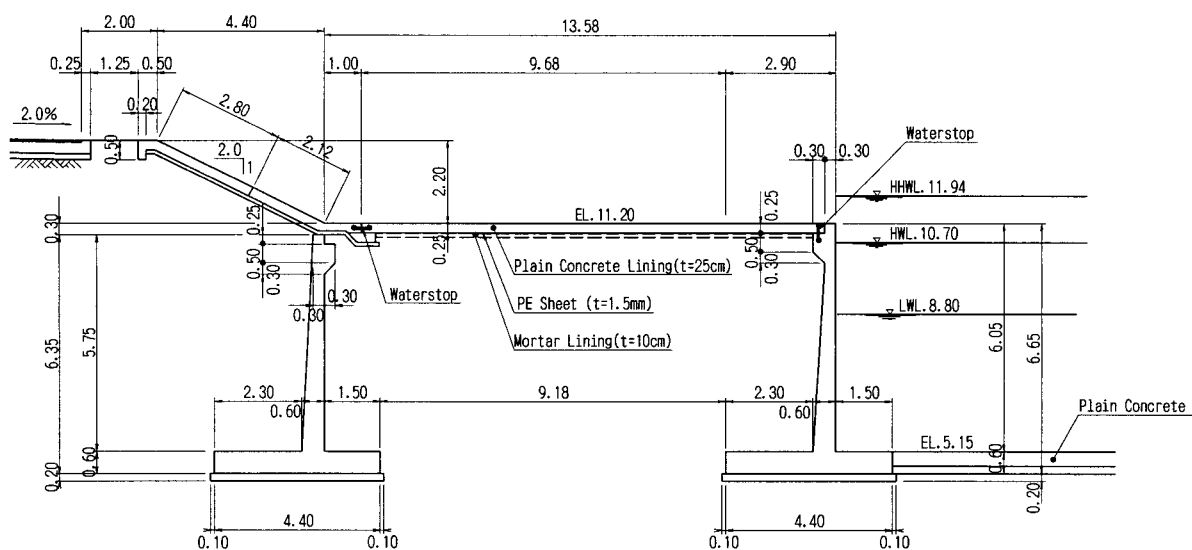
| | |
|---|---------|
| THE ARAB REPUBLIC OF EGYPT MINISTRY OF WATER RESOURCES AND IRRIGATION NORTH SINAI DEVELOPMENT ORGANIZATION THE NORTH SINAI INTEGRATED RURAL DEVELOPMENT PROJECT (PHASE II) CONVEYANCE SYSTEM OF EL SHEIKH GABER EL SABBAH CANAL BETWEEN KM 108.466 AND KM 118.560 EL SALAAM NO. 7 (BIR EL ABD) PUMPING STATION SAND SETTLING BASIN DETAILED PLAN AND PROFILE | |
| JAPAN INTERNATIONAL COOPERATION AGENCY (JICA) SANYU CONSULTANTS INC. PACIFIC CONSULTANTS INTERNATIONAL | |
| DESIGNED | |
| TRACED | |
| CHECKED | |
| APPROVED | |
| DRAWING NO. | SSB-208 |



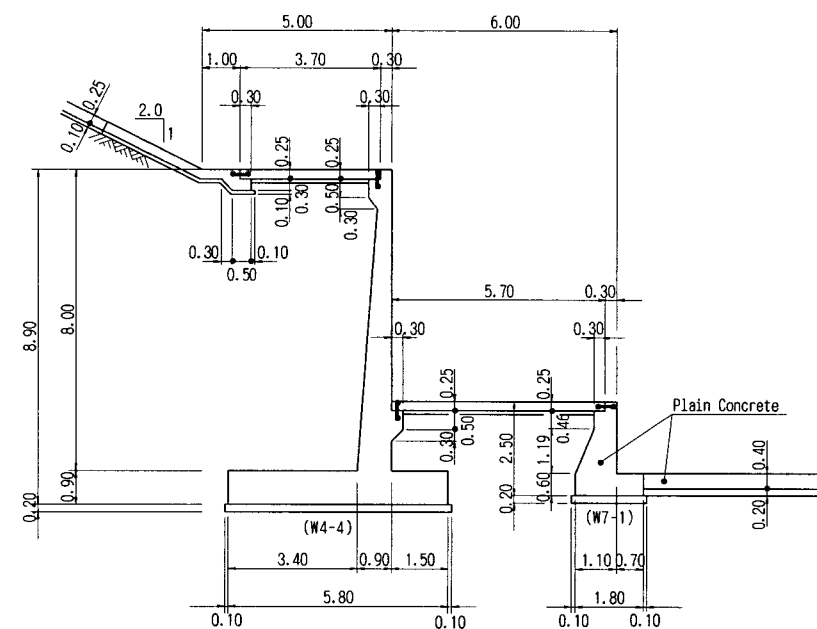
SECTION A-A
SCALE 1:200



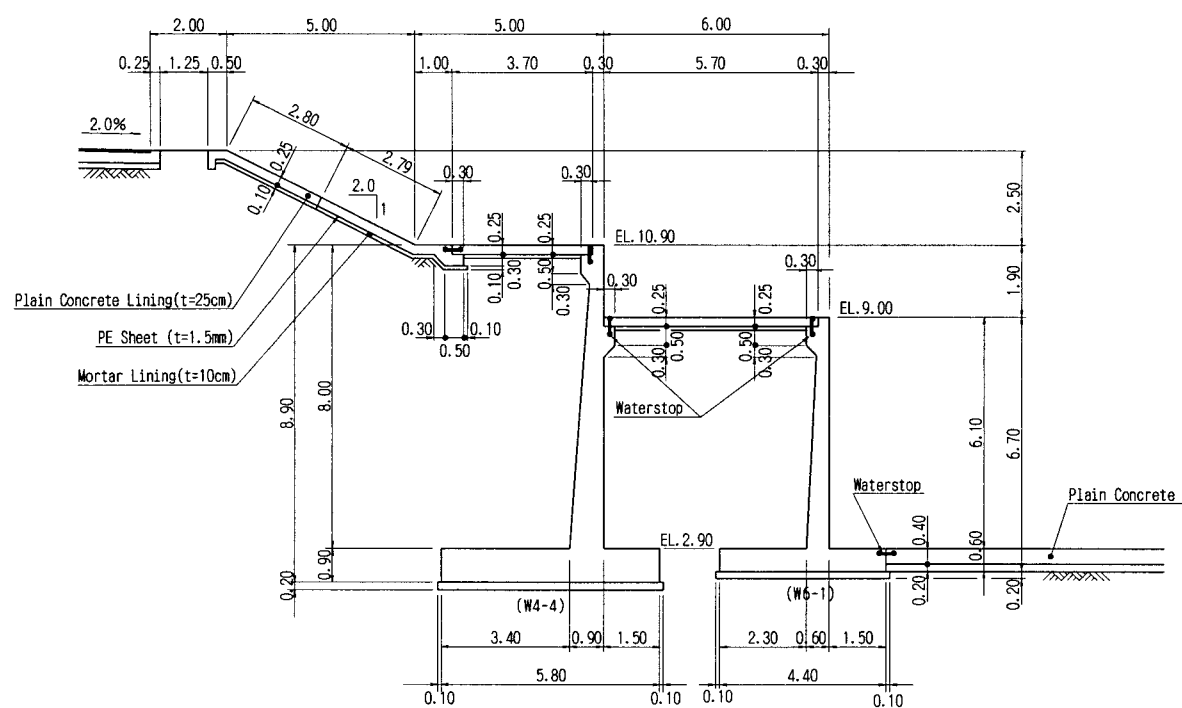
SECTION D-D
SCALE 1:200



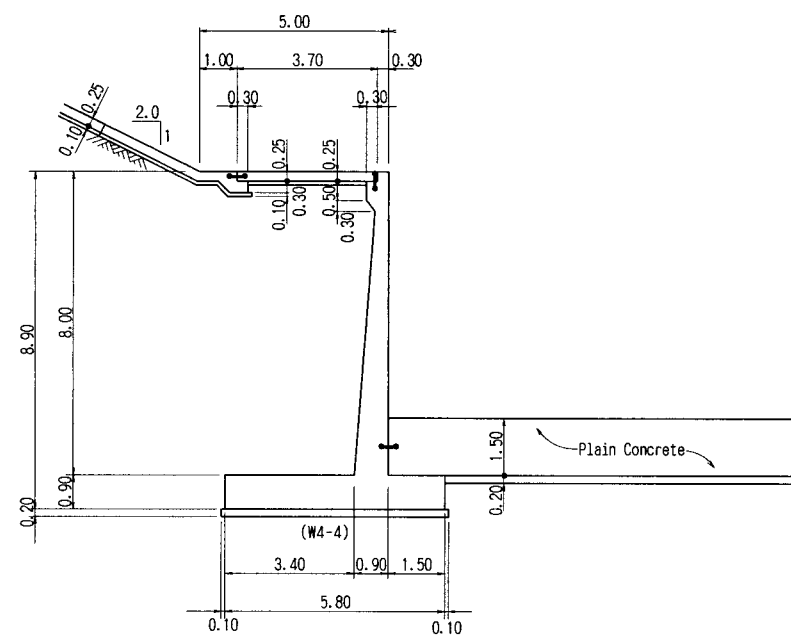
SECTION B-B
SCALE 1:200



SECTION E-E
SCALE 1:200



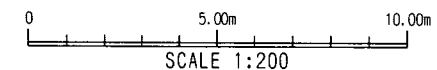
SECTION C-C
SCALE 1:200



SECTION F-F
SCALE 1:200

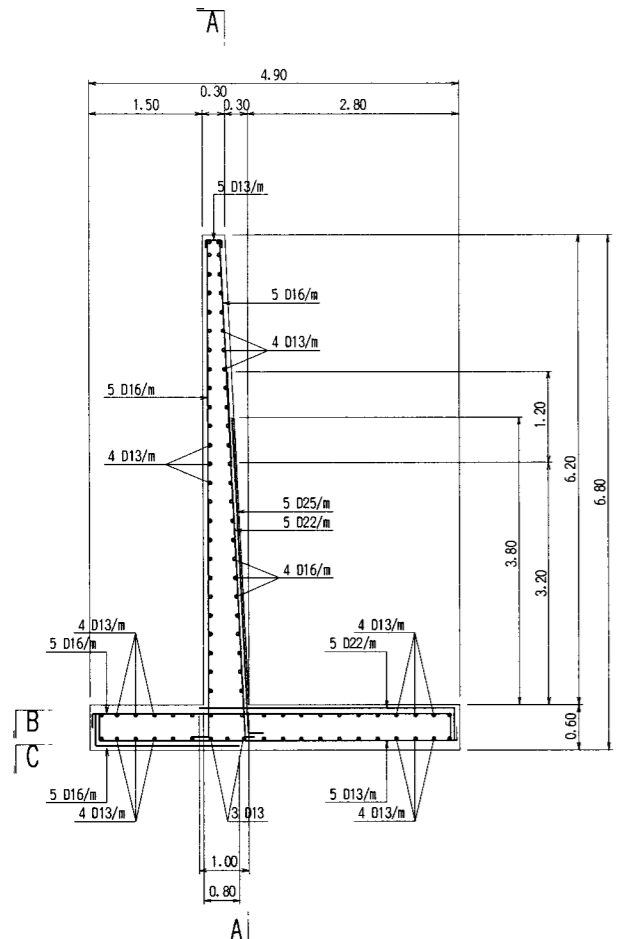
NOTES:

1. This drawing scale is 1:200.

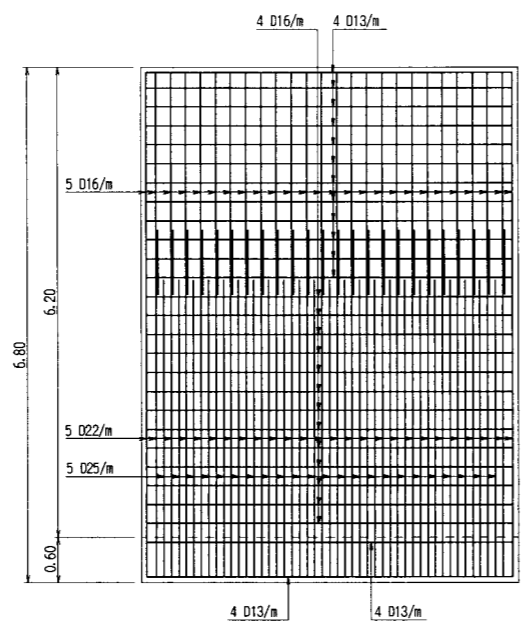


2. This waterstop shall be installed in all contraction and expansion joints.

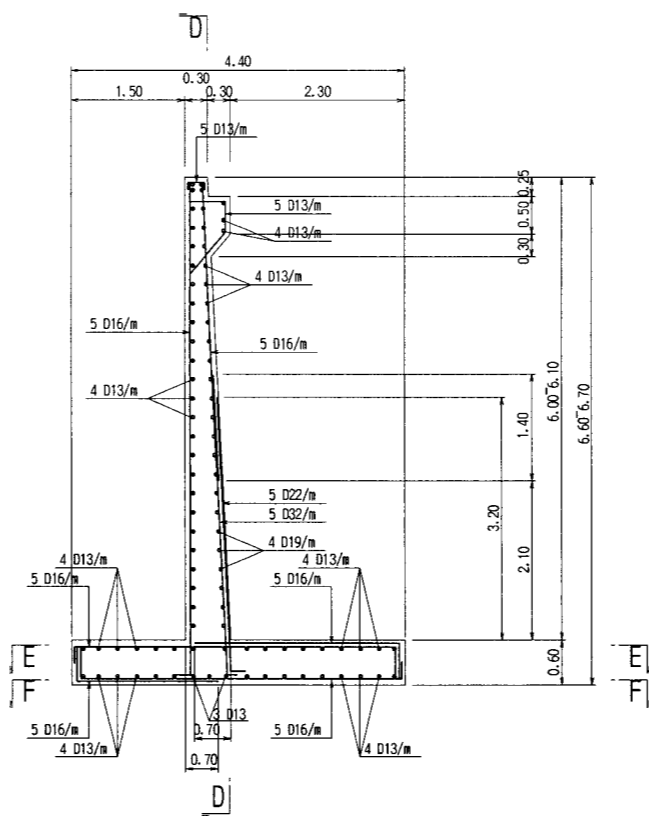
| | |
|--|---------|
| THE ARAB REPUBLIC OF EGYPT MINISTRY OF WATER RESOURCES AND IRRIGATION NORTH SINAI DEVELOPMENT ORGANIZATION | |
| THE NORTH SINAI INTEGRATED RURAL DEVELOPMENT PROJECT (PHASE III) | |
| CONVEYANCE SYSTEM OF EL SHEIKH GABER EL SABBABH CANAL BETWEEN KM 108.466 AND KM 118.560 EL SALAAM No. 7 (BIR EL ABD) PUMPING STATION | |
| SAND SETTLING BASIN DETAILED SECTIONS | |
| JAPAN INTERNATIONAL COOPERATION AGENCY (JICA) SANYU CONSULTANTS INC, PACIFIC CONSULTANTS INTERNATIONAL | |
| DESIGNED | |
| TRACED | |
| CHECKED | |
| APPROVED | |
| DRAWING NO. | SSB-209 |



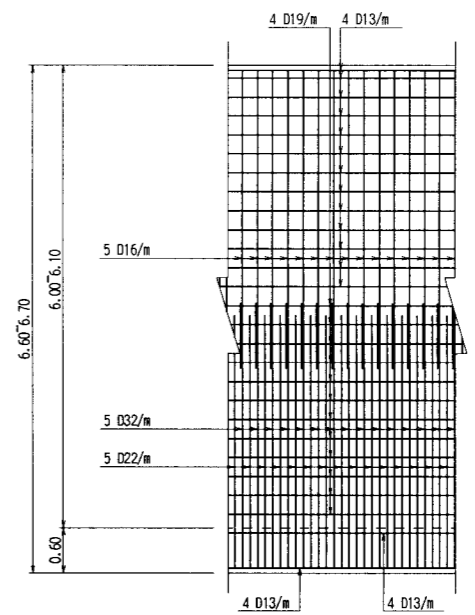
W 1-1
SCALE 1:100



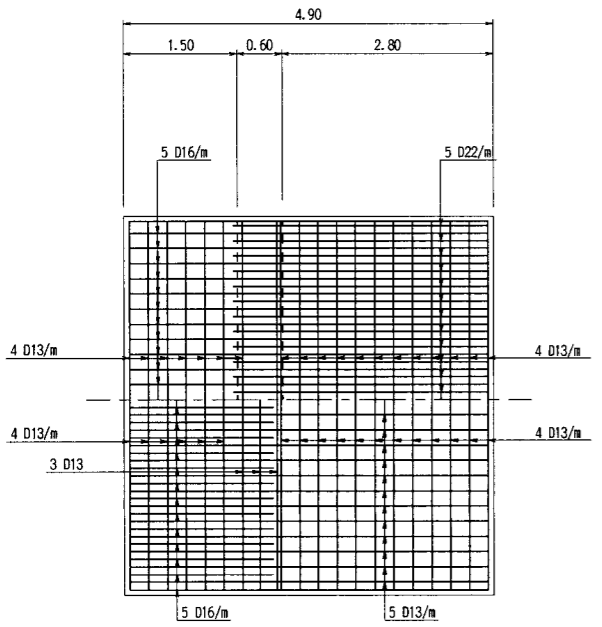
SECTION A-A
SCALE 1:100



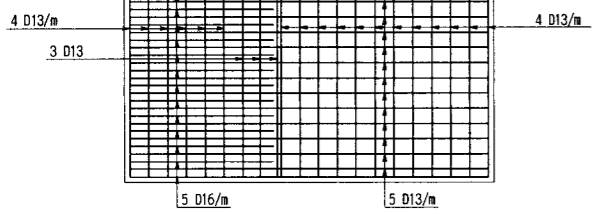
W 2
SCALE 1:100



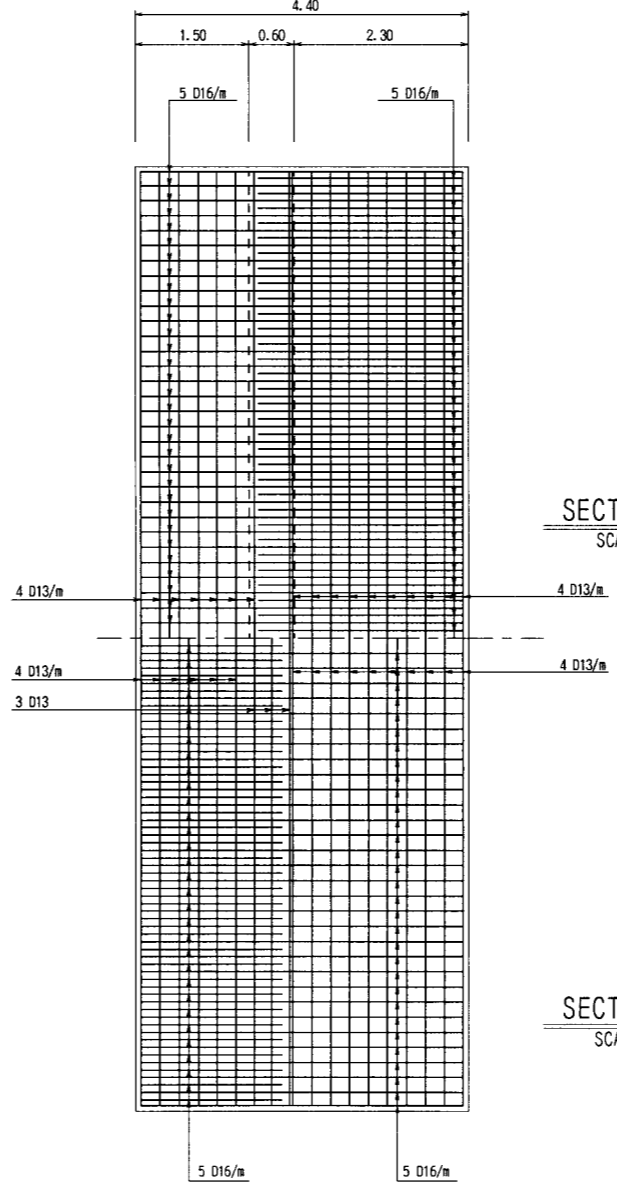
SECTION D-D
SCALE 1:100



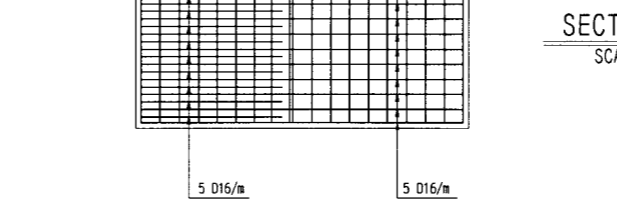
SECTION B-B
SCALE 1:100



SECTION C-C
SCALE 1:100

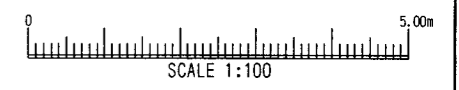


SECTION E-E
SCALE 1:100

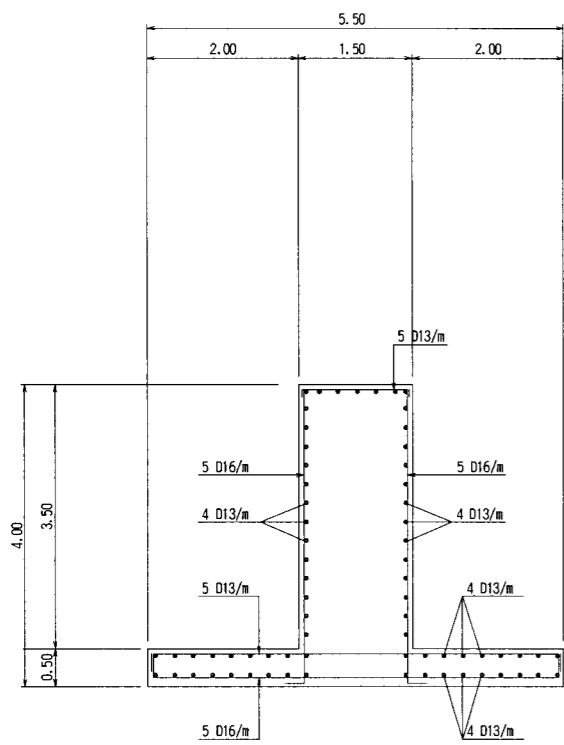


SECTION F-F
SCALE 1:100

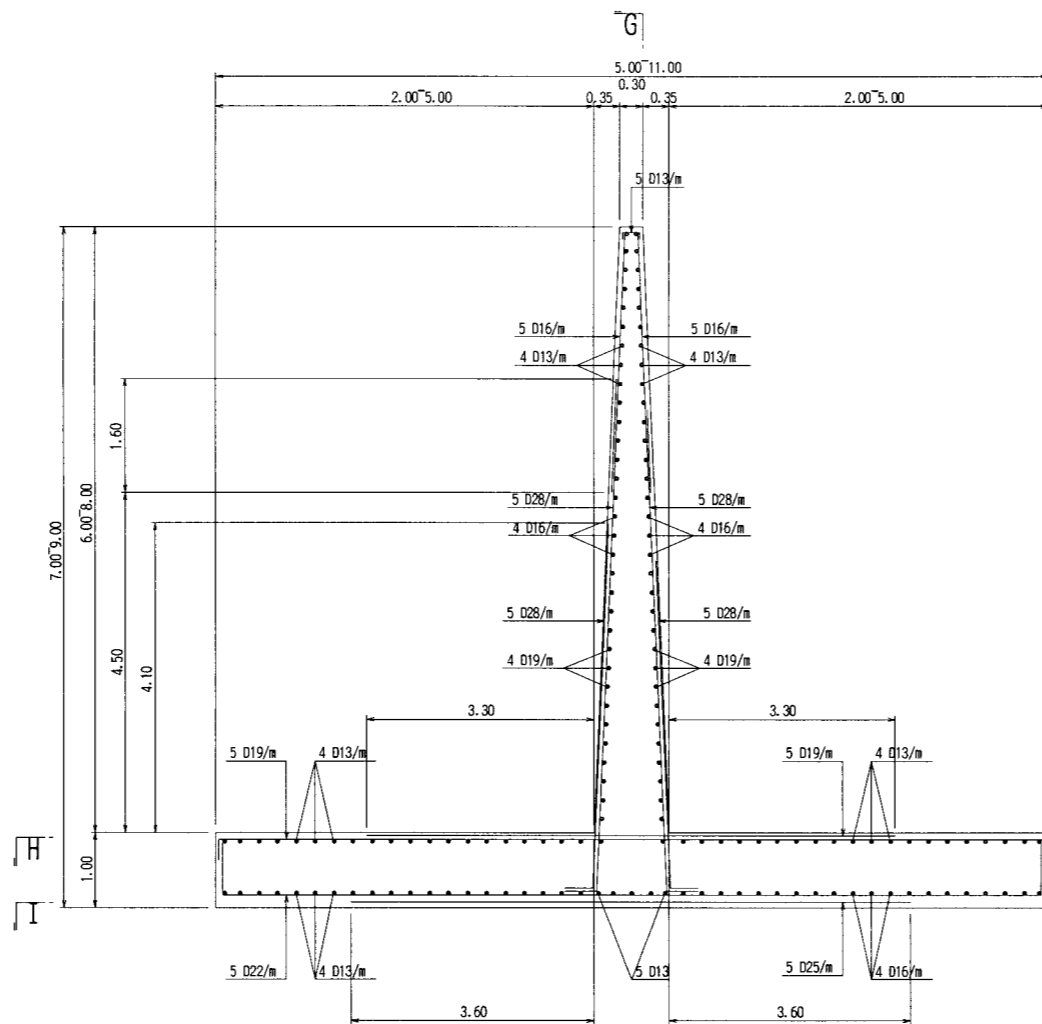
NOTES:
1. This drawing scale is as follows ;



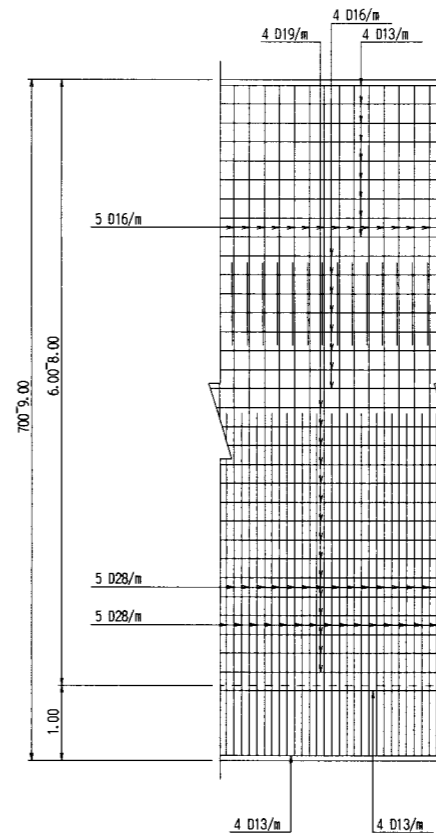
| | |
|---|---------|
| THE ARAB REPUBLIC OF EGYPT MINISTRY OF WATER RESOURCES AND IRRIGATION NORTH SINAI DEVELOPMENT ORGANIZATION | |
| THE NORTH SINAI INTEGRATED RURAL DEVELOPMENT PROJECT (PHASE III) | |
| CONVEYANCE SYSTEM OF EL SHEIKH GABER EL SABBAB CANAL BETWEEN KM 108.466 AND KM 118.566 EL SALAAM No. 7 (BIR EL ABD) PUMPING STATION | |
| SAND SETTLING BASIN REINFORCEMENTS (1/3) | |
| JAPAN INTERNATIONAL COOPERATION AGENCY (JICA) SANYU CONSULTANTS INC, PACIFIC CONSULTANTS INTERNATIONAL | |
| DESIGNED | |
| TRACED | |
| CHECKED | |
| APPROVED | |
| DRAWING NO. | SSB-210 |



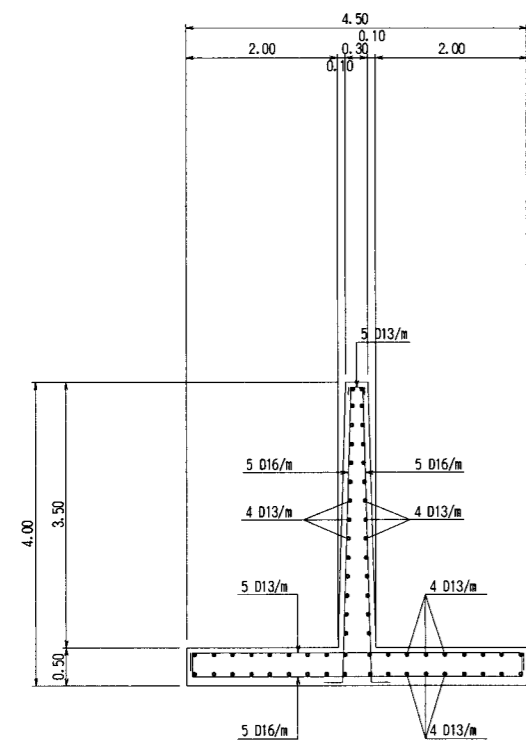
UPPER



W 3-2~4, W 5
SCALE 1:100

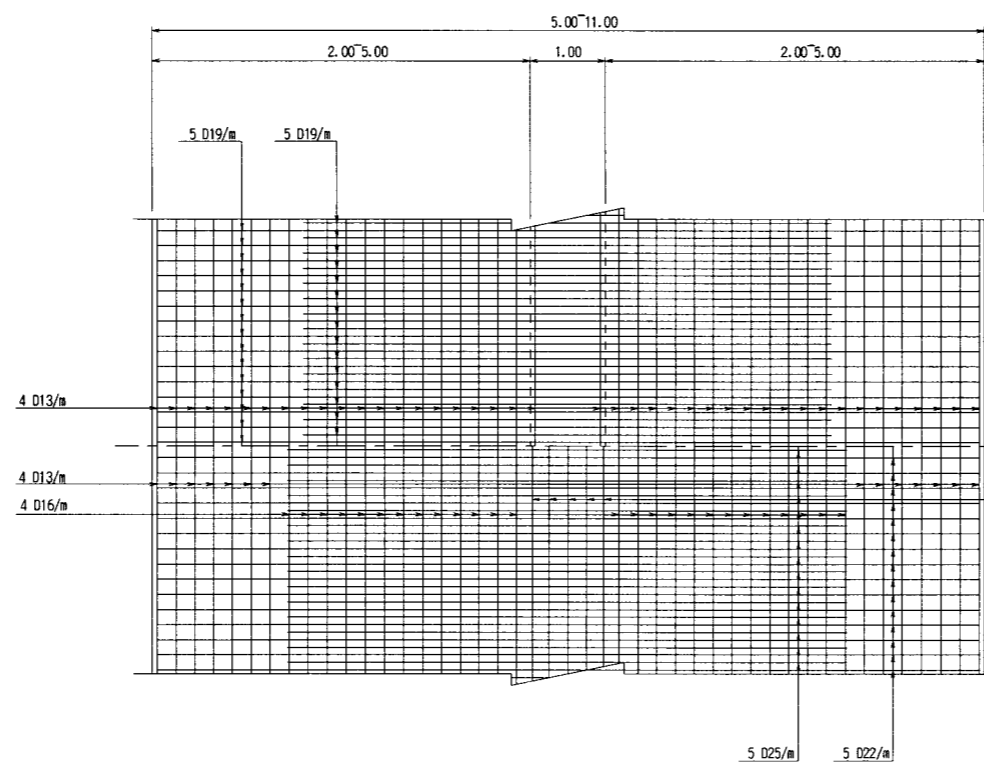


SECTION G-G
SCALE 1:100



DOWN

W 3-1
SCALE 1:100



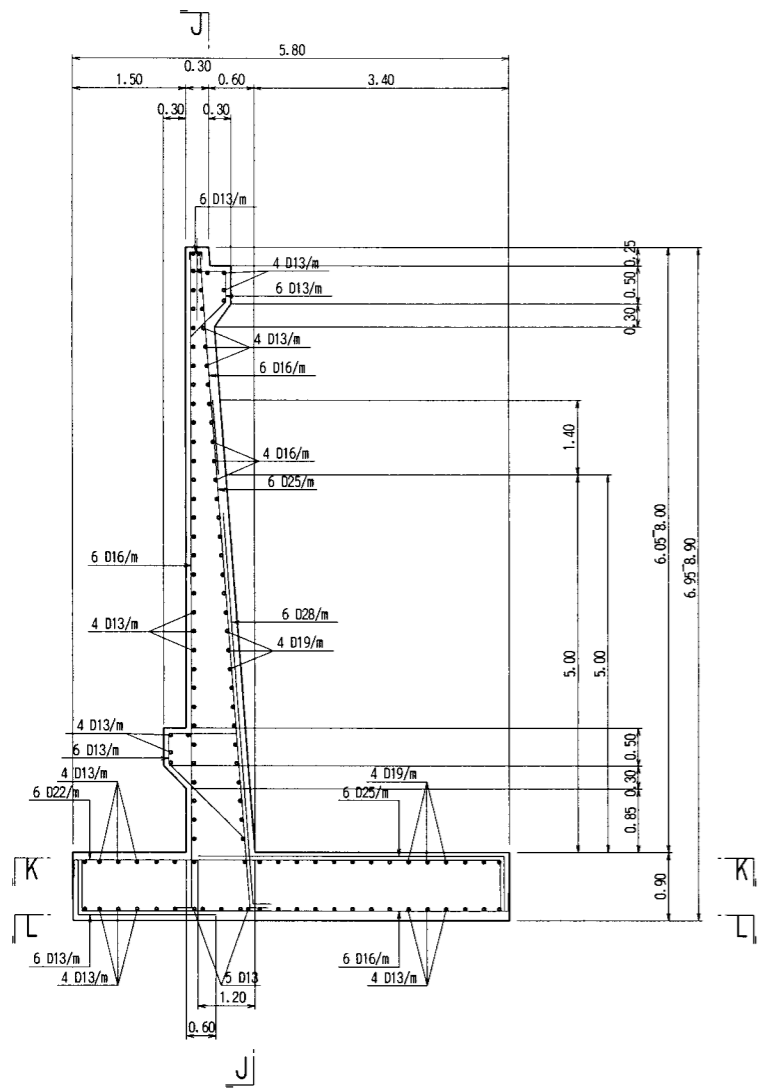
SECTION H-H
SCALE 1:100

SECTION I-I
SCALE 1:100

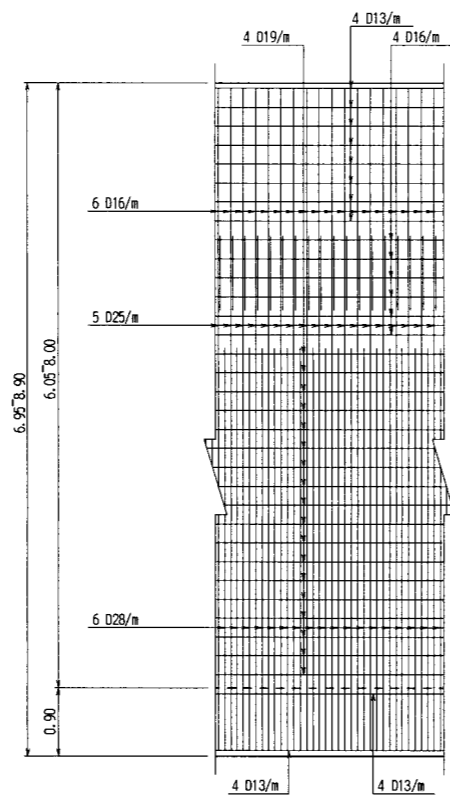
NOTES:
1. This drawing scale is as follows ;



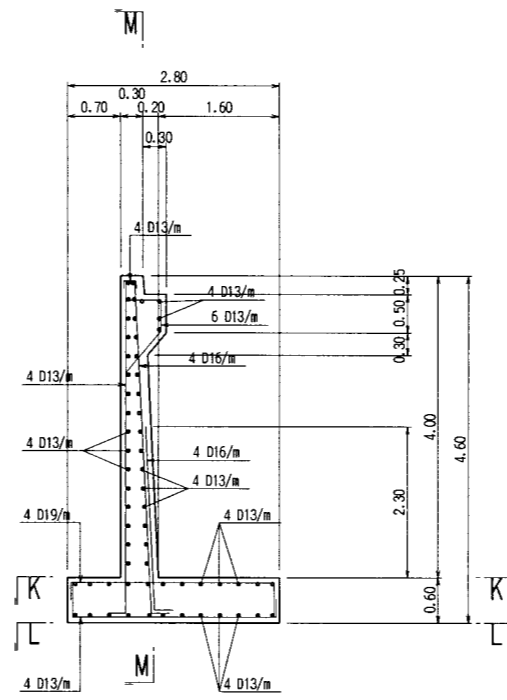
| | |
|--|---------|
| THE ARAB REPUBLIC OF EGYPT MINISTRY OF WATER RESOURCES AND IRRIGATION NORTH SINAI DEVELOPMENT ORGANIZATION | |
| THE NORTH SINAI INTEGRATED RURAL DEVELOPMENT PROJECT (PHASE III) | |
| CONVEYANCE SYSTEM OF EL SHEIKH GABER EL SABBABH CANAL BETWEEN KM 108.466 AND KM 118.560 EL SALAAM No. 7 (BIR EL ABD) PUMPING STATION | |
| SAND SETTLING BASIN REINFORCEMENTS (2/3) | |
| JAPAN INTERNATIONAL COOPERATION AGENCY (JICA) SANYU CONSULTANTS INC. PACIFIC CONSULTANTS INTERNATIONAL | |
| DESIGNED | |
| TRACED | |
| CHECKED | |
| APPROVED | |
| DRAWING NO. | SSB-211 |



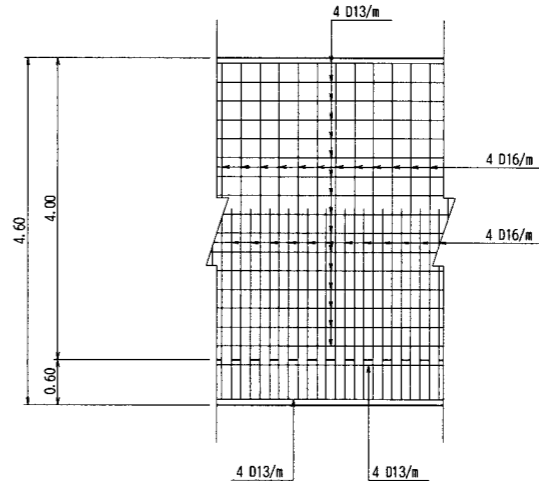
W 4
SCALE 1:100



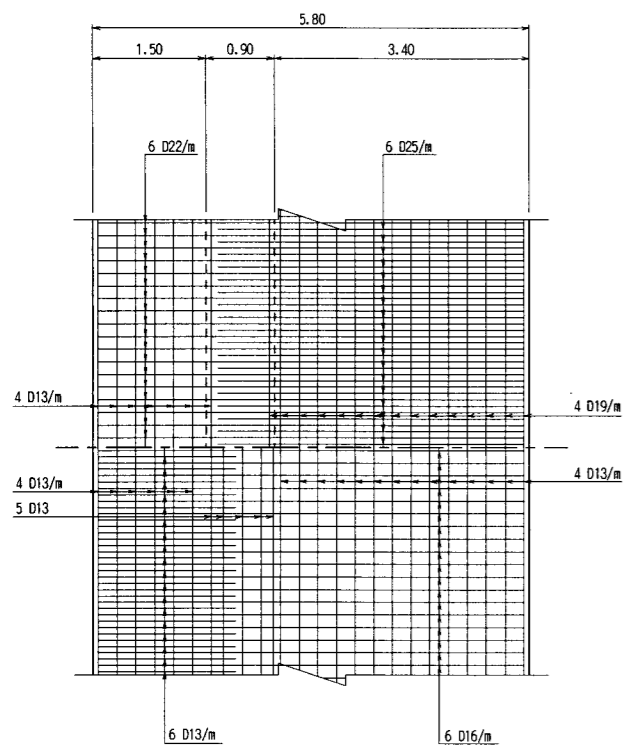
SECTION J-J
SCALE 1:100



W 6
SCALE 1:100

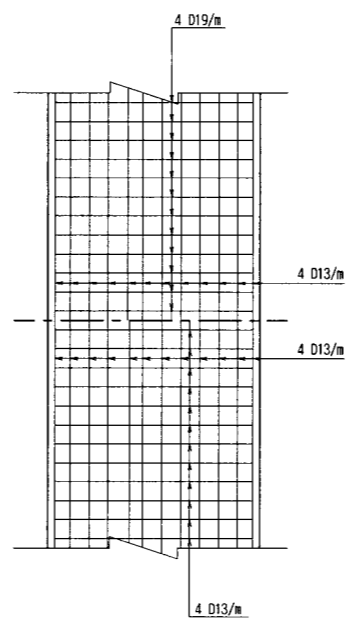


SECTION M-M
SCALE 1:100



SECTION K-K
SCALE 1:100

SECTION L-L
SCALE 1:100



SECTION K-K
SCALE 1:100

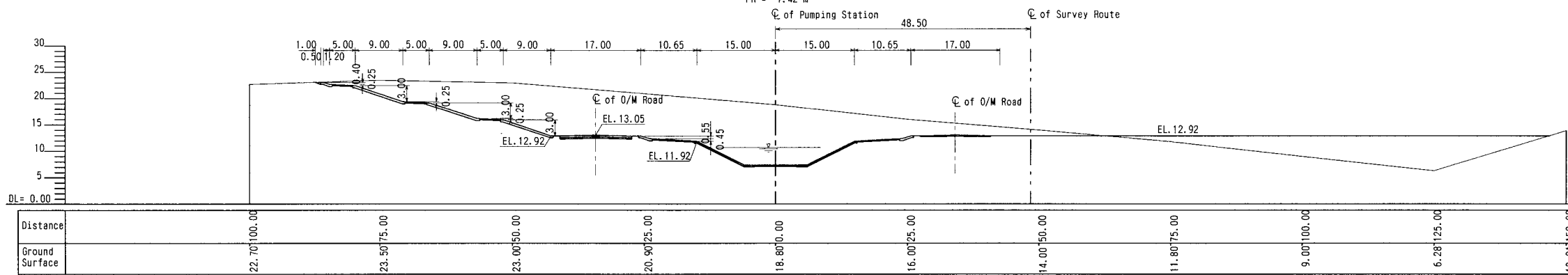
SECTION L-L
SCALE 1:100

NOTES:
1. This drawing scale is as follows ;
0 5.00m
SCALE 1:100

| | |
|---|---------|
| THE ARAB REPUBLIC OF EGYPT MINISTRY OF WATER RESOURCES AND IRRIGATION NORTH SINAI DEVELOPMENT ORGANIZATION | |
| THE NORTH SINAI INTEGRATED RURAL DEVELOPMENT PROJECT (PHASE III) | |
| CONVEYANCE SYSTEM OF EL SHEIKH GABER EL SABBABH CANAL BETWEEN KM 108.466 AND KM 118.560 EL SALAAM No.7(BIR EL ABD)PUMPING STATION | |
| SAND SETTLING BASIN REINFORCEMENTS (3/3) | |
| JAPAN INTERNATIONAL COOPERATION AGENCY(JICA) SANYU CONSULTANTS INC,PACIFIC CONSULTANTS INTERNATIONAL | |
| DESIGNED | |
| TRACED | |
| CHECKED | |
| APPROVED | |
| DRAWING NO. | SSB-212 |

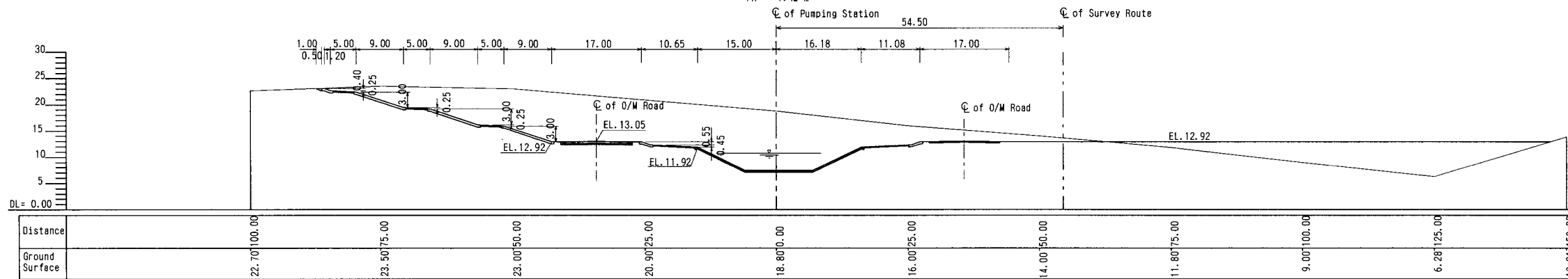
KM 108.480 (KM 108.466)

GH = 18.80 m
FH = 7.42 m



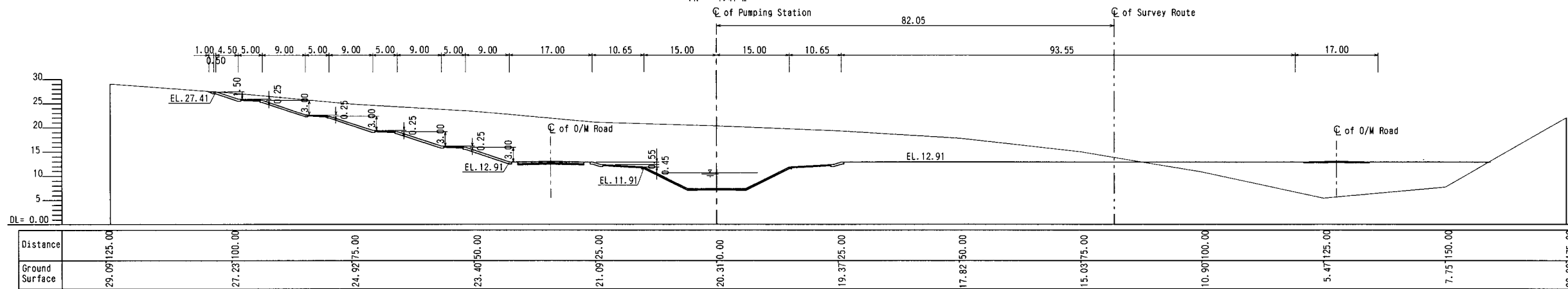
KM 108.500

GH = 18.80 m
FH = 7.42 m



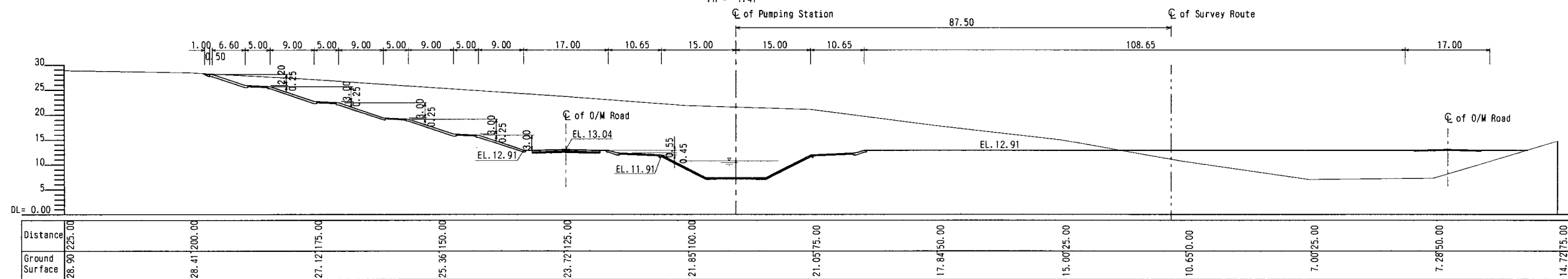
KM 108.600

GH = 20.31 m
FH = 7.41 m



KM 108.6365

GH = 21.55 m
FH = 7.31 m



NOTES:
 1. This drawing shows "DISTANCE 108.480KM to 108.6365KM".
 2. The benchmark referred to BM.07 of EL. 21.978 m.
 3. This drawing scale is as follows :
 0 10.00 20.00 30.00 40.00 50.00m
 SCALE 1:1000

THE ARAB REPUBLIC OF EGYPT
 MINISTRY OF WATER RESOURCES AND IRRIGATION
 NORTH SINAI DEVELOPMENT ORGANIZATION

THE NORTH SINAI INTEGRATED RURAL
 DEVELOPMENT PROJECT (PHASE III)

CONVEYANCE SYSTEM OF EL SHEIKH GABER EL SABBABH CANAL
 BETWEEN KM 108.466 AND KM 118.560
 EL SALAAM No.7(BIR EL ABD)PUMPING STATION

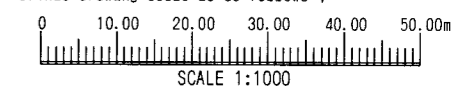
SAND SETTLING BASIN
 CROSS SECTIONS(1/3)

JAPAN INTERNATIONAL COOPERATION AGENCY(JICA)
 SANYU CONSULTANTS INC,PACIFIC CONSULTANTS INTERNATIONAL

| | |
|-------------|---------|
| DESIGNED | |
| TRACED | |
| CHECKED | |
| APPROVED | |
| DRAWING NO. | SSB-213 |

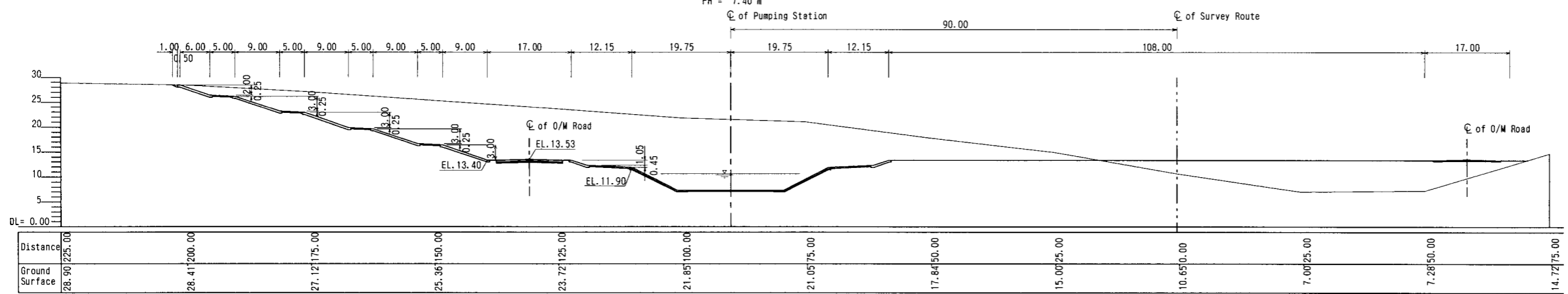
NOTES:

1. This drawing shows "DISTANCE 108.6565KM to 108.7615KM".
2. The benchmark referred to BM.07 of EL. 21.978 m.
3. This drawing scale is as follows :



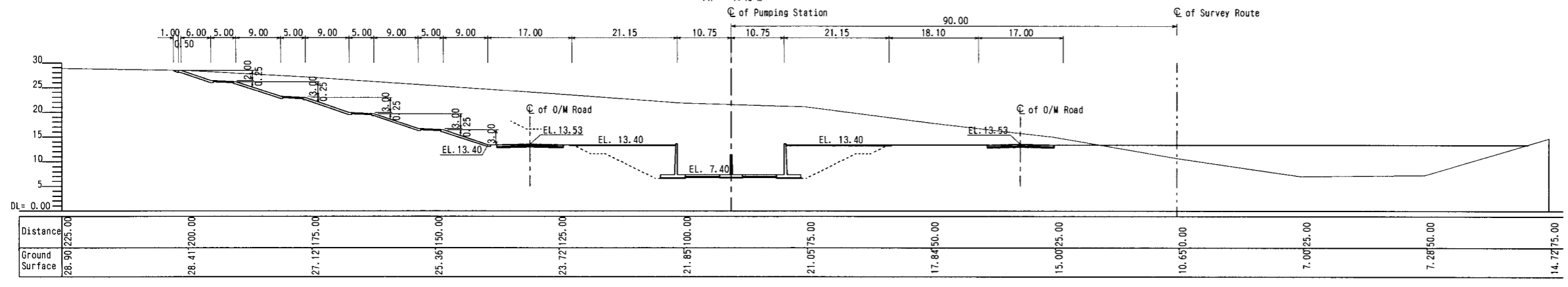
KM 108.6565

GH = 21.53 m
FH = 7.40 m



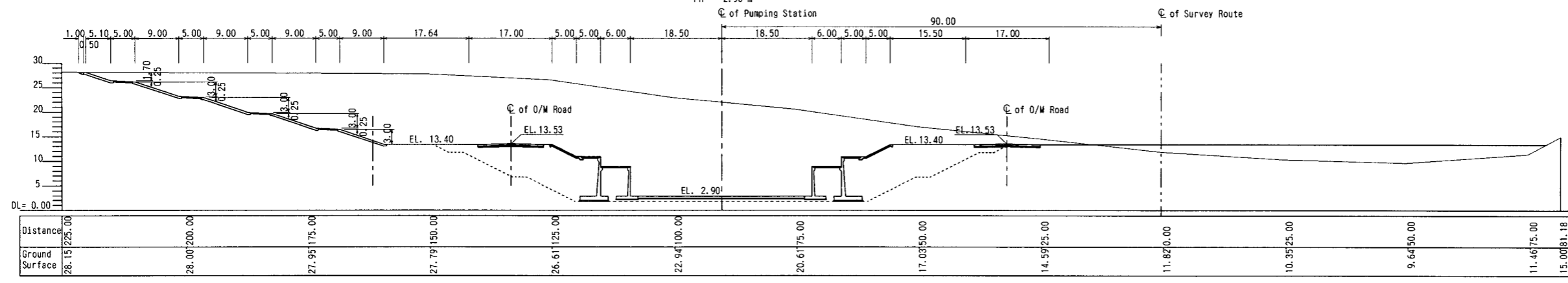
KM 108.7115

GH = 21.53 m
FH = 7.40 m



KM 108.7615

GH = 22.01 m
FH = 2.90 m



THE ARAB REPUBLIC OF EGYPT
MINISTRY OF WATER RESOURCES AND IRRIGATION
NORTH SINAI DEVELOPMENT ORGANIZATION

THE NORTH SINAI INTEGRATED RURAL DEVELOPMENT PROJECT (PHASE III)

CONVEYANCE SYSTEM OF EL SHEIKH GABER EL SABBABH CANAL
BETWEEN KM 108.466 AND KM 118.560
EL SALAAM No. 7 (BIR EL ABD) PUMPING STATION

SAND SETTLING BASIN
CROSS SECTIONS (2/3)

JAPAN INTERNATIONAL COOPERATION AGENCY (JICA)
SANYU CONSULTANTS INC, PACIFIC CONSULTANTS INTERNATIONAL

| | |
|-------------|---------|
| DESIGNED | |
| TRACED | |
| CHECKED | |
| APPROVED | |
| DRAWING NO. | SS8-214 |

