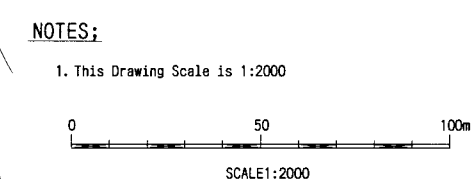


BEGINNING POINT OF SAND SETTLING BASIN
(B.S. = KM 108.46618, F.S. = KM 108.48000, E.C. = -13.82m)

IP. 15
IA=17° -27' -17"
R=500m
TL=76.76m
CL=152.32m
SL=5.86m

IP. 16
IA=34° -50' -00"



THE ARAB REPUBLIC OF EGYPT
MINISTRY OF WATER RESOURCES AND IRRIGATION
NORTH SINAI DEVELOPMENT ORGANIZATION

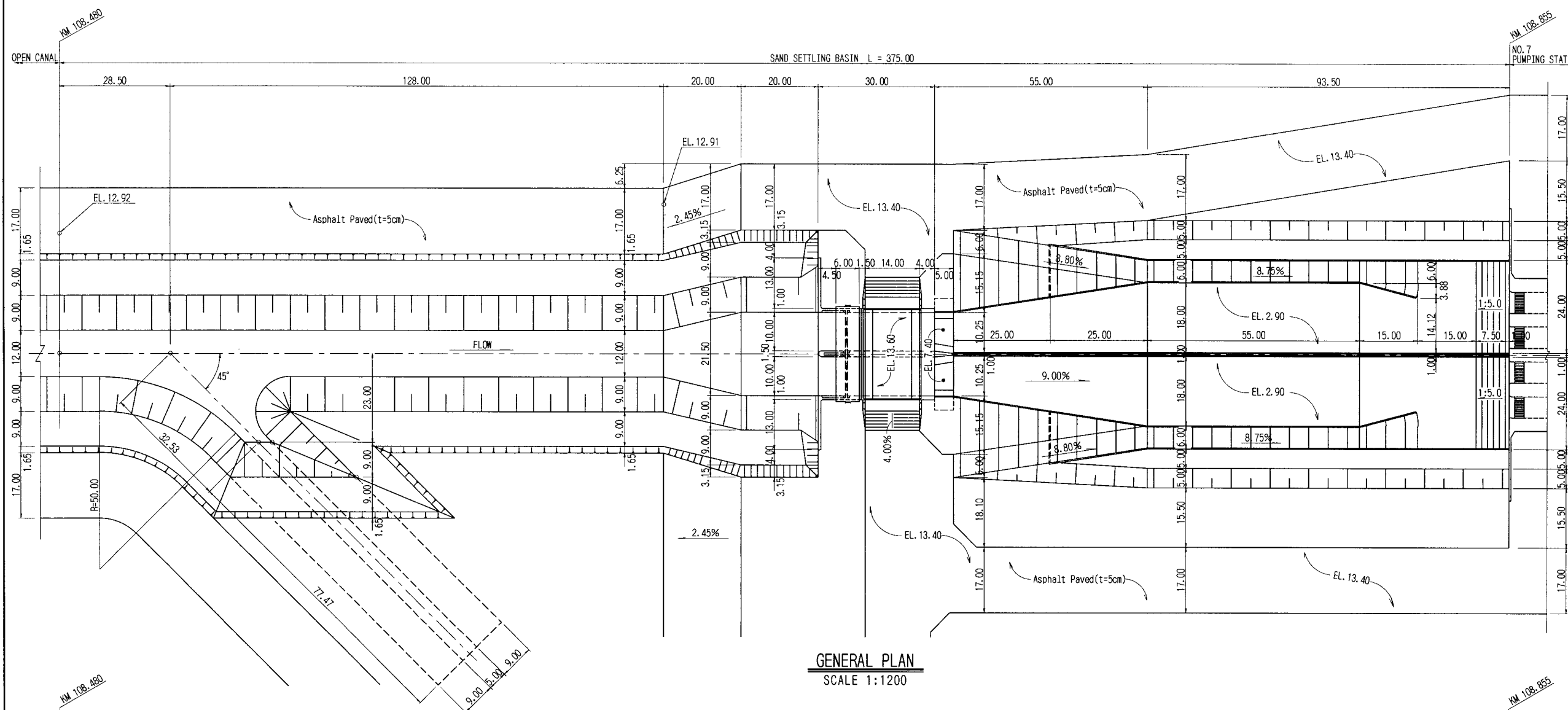
THE NORTH SINAI INTEGRATED RURAL DEVELOPMENT PROJECT (PHASE III)

CONVEYANCE SYSTEM OF EL SHEIKH GABER EL SABBAAH CANAL
BETWEEN KM 108.466 AND KM 118.560
EL SALAAM No. 7 (BIR EL ABD) PUMPING STATION

PLAN OF No. 7 PUMPING STATION

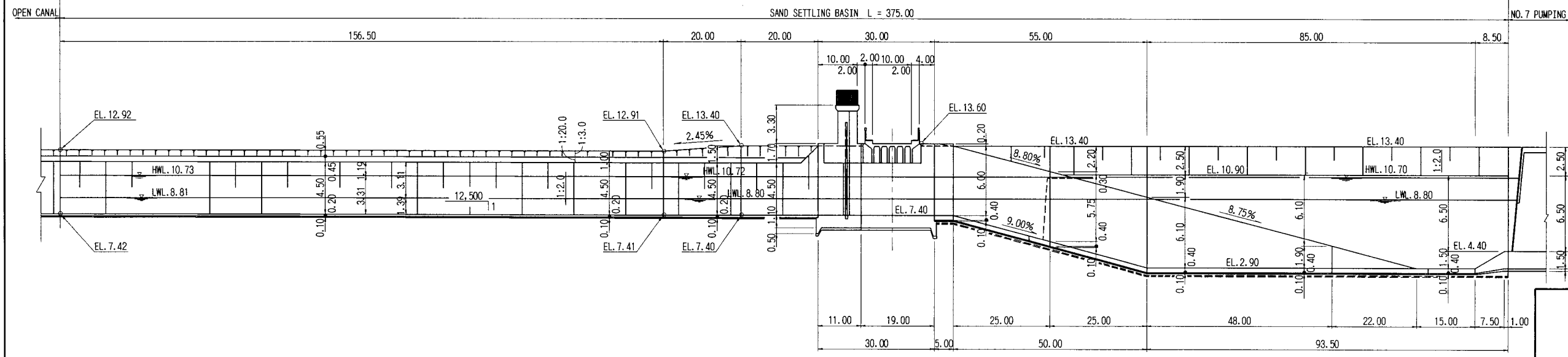
JAPAN INTERNATIONAL COOPERATION AGENCY (JICA)
SANYU CONSULTANTS INC, PACIFIC CONSULTANTS INTERNATIONAL

DESIGNED	
TRACED	
CHECKED	
APPROVED	
DRAWING NO.	GNL-203



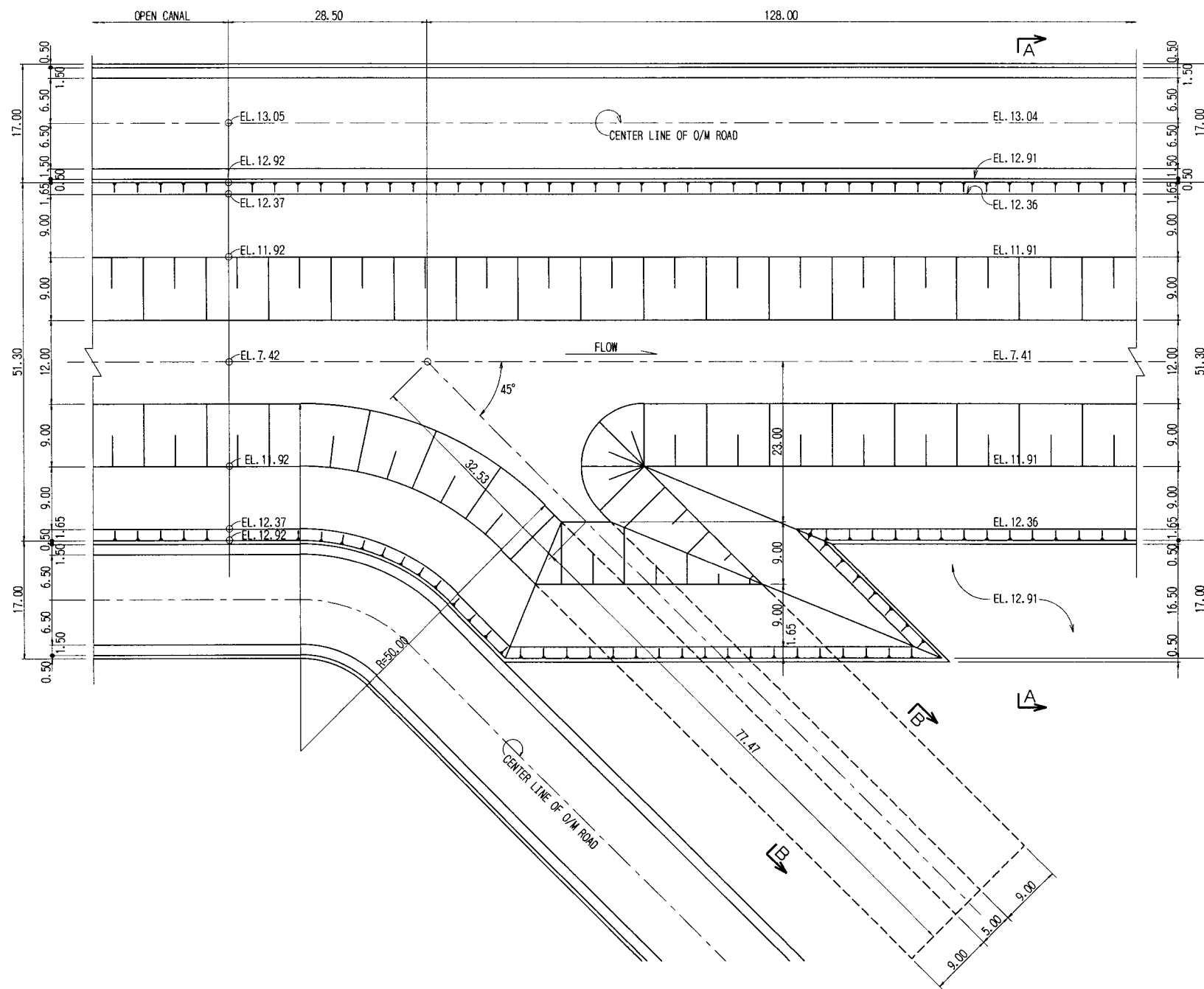
GENERAL PLAN
SCALE 1:1200

NOTES:
1. This drawing scales are as follows:
0 30.00m 60.00m
SCALE 1:1200
0 10.00m 20.00m
SCALE 1:400

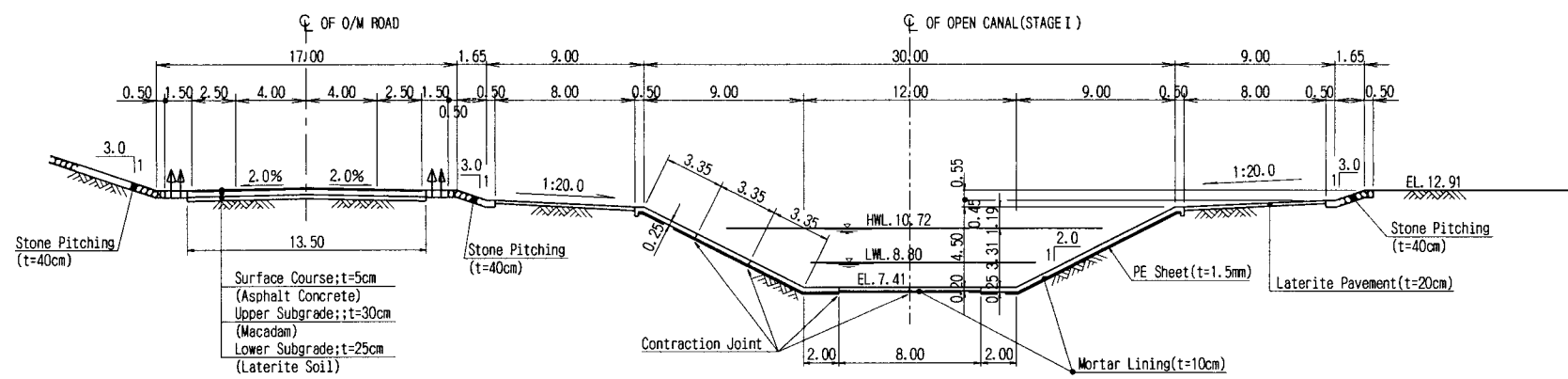


GENERAL PROFILE
H:SCALE 1:1200 V:SCALE 1:400

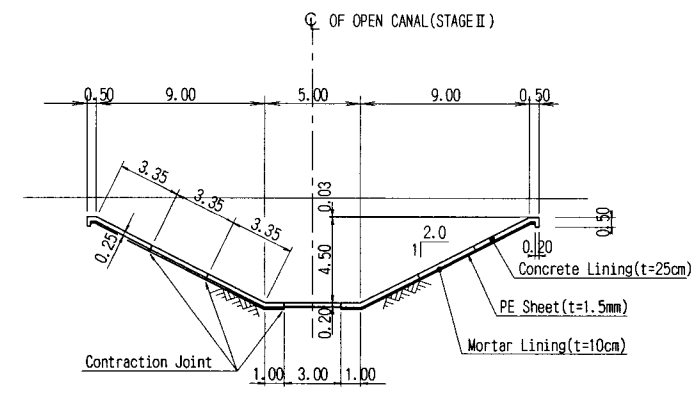
THE ARAB REPUBLIC OF EGYPT MINISTRY OF WATER RESOURCES AND IRRIGATION NORTH SINAI DEVELOPMENT ORGANIZATION	
THE NORTH SINAI INTEGRATED RURAL DEVELOPMENT PROJECT (PHASE III)	
CONVEYANCE SYSTEM OF EL SHEIKH GABER EL SABBABH CANAL BETWEEN KM 108.466 AND KM 118.560 EL SALAAM No.7(BIR EL ABD)PUMPING STATION	
SAND SETTLING BASIN GENERAL PLAN AND PROFILE	
JAPAN INTERNATIONAL COOPERATION AGENCY(JICA) SANYU CONSULTANTS INC,PACIFIC CONSULTANTS INTERNATIONAL	
DESIGNED	
TRACED	
CHECKED	
APPROVED	
DRAWING NO.	SSB-201



DETAILED PLAN
SCALE 1:800



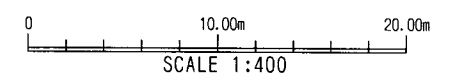
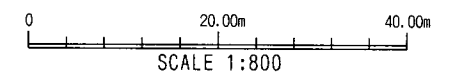
SECTION A-A
SCALE 1:400



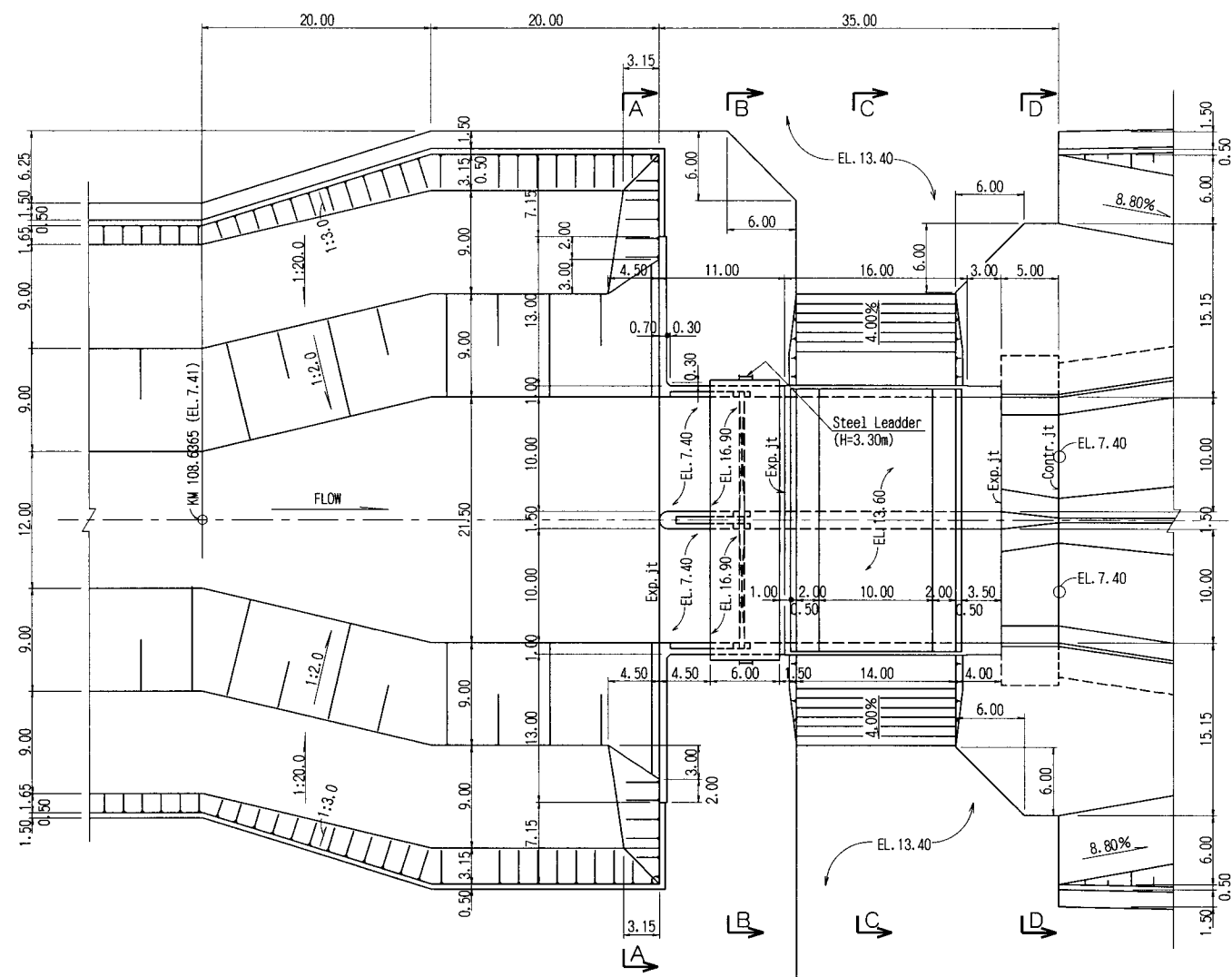
SECTION B-B
SCALE 1:400

NOTES:

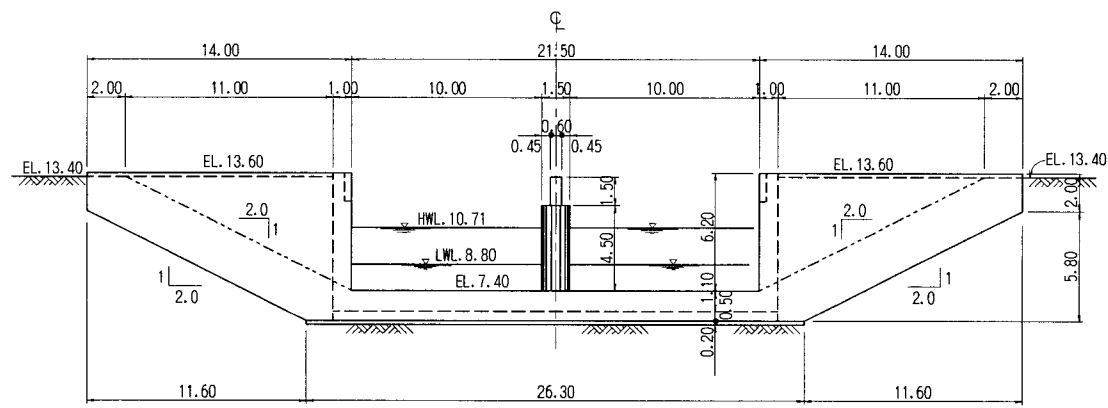
1. This drawing scales are as follows:



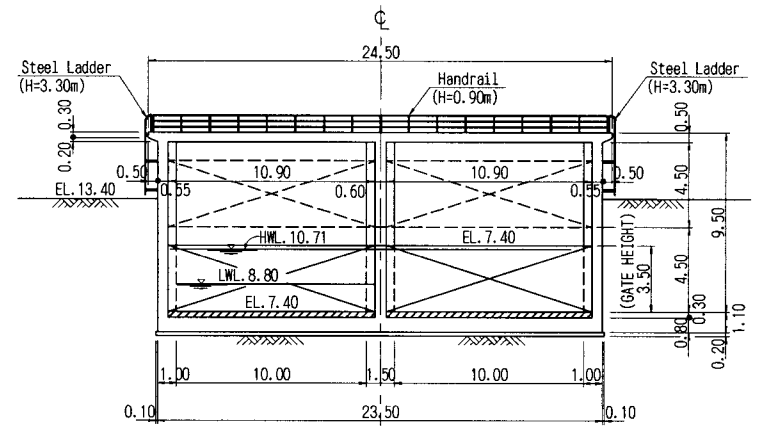
THE ARAB REPUBLIC OF EGYPT MINISTRY OF WATER RESOURCES AND IRRIGATION NORTH SINAI DEVELOPMENT ORGANIZATION	
THE NORTH SINAI INTEGRATED RURAL DEVELOPMENT PROJECT (PHASE III)	
CONVEYANCE SYSTEM OF EL SHEIKH GABER EL SABBABH CANAL BETWEEN KM 108.466 AND KM 118.560 EL SALAAM No. 7 (BIR EL ABD) PUMPING STATION	
SAND SETTLING BASIN DETAILED JUNCTION SECTION	
JAPAN INTERNATIONAL COOPERATION AGENCY (JICA) SANYU CONSULTANTS INC, PACIFIC CONSULTANTS INTERNATIONAL	
DESIGNED	
TRACED	
CHECKED	
APPROVED	
DRAWING NO.	SSB-202



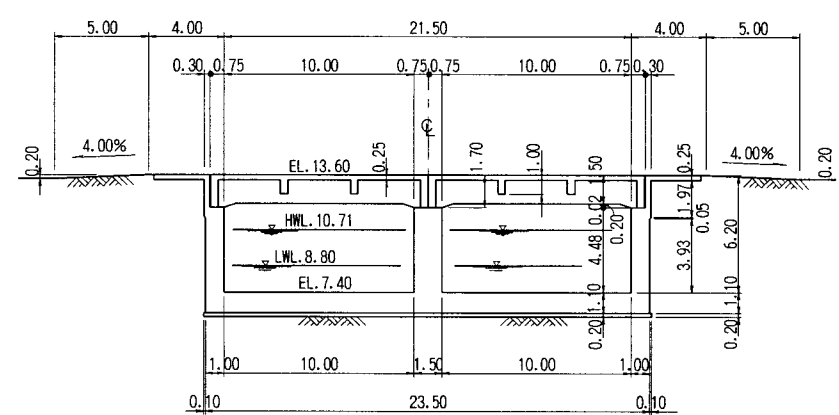
DETAILED PLAN
SCALE 1:600



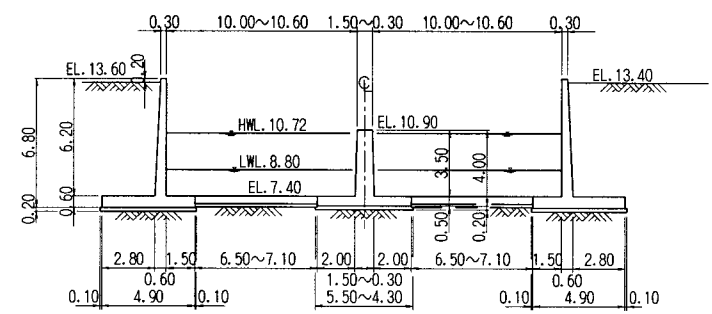
SECTION A-A
SCALE 1:400



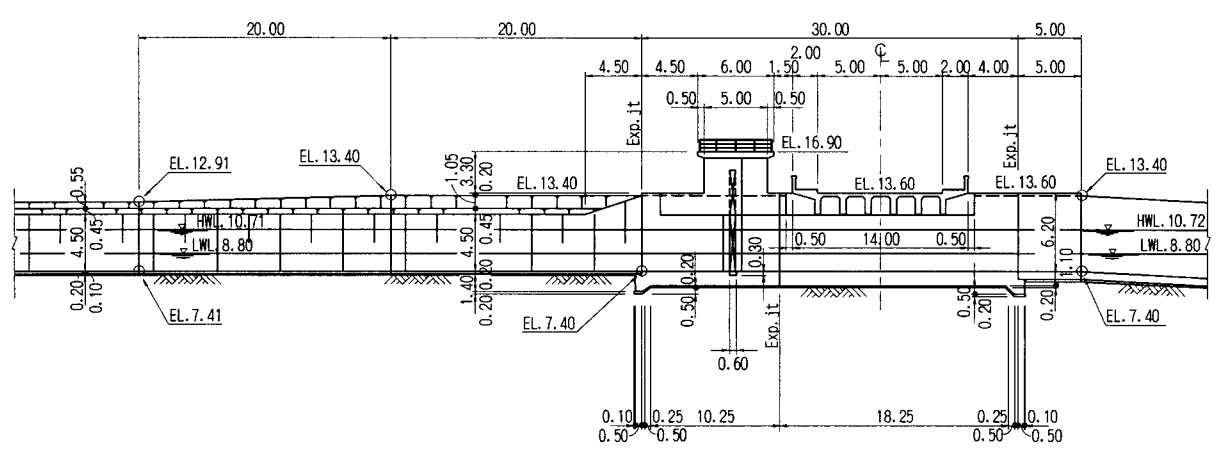
SECTION B-B
SCALE 1:400



SECTION C-C
SCALE 1:400



SECTION D-D
SCALE 1:400

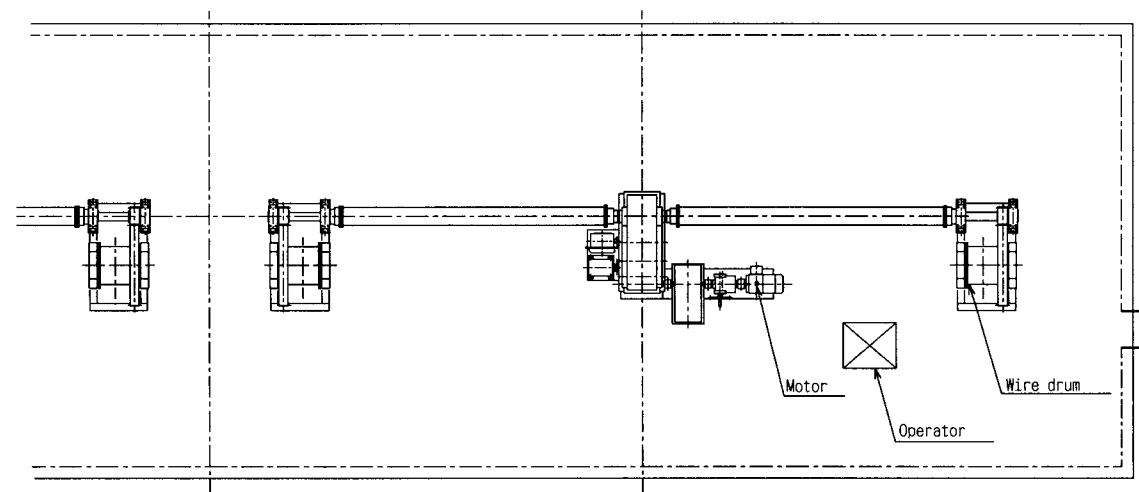


DETAILED PROFILE
SCALE 1:600

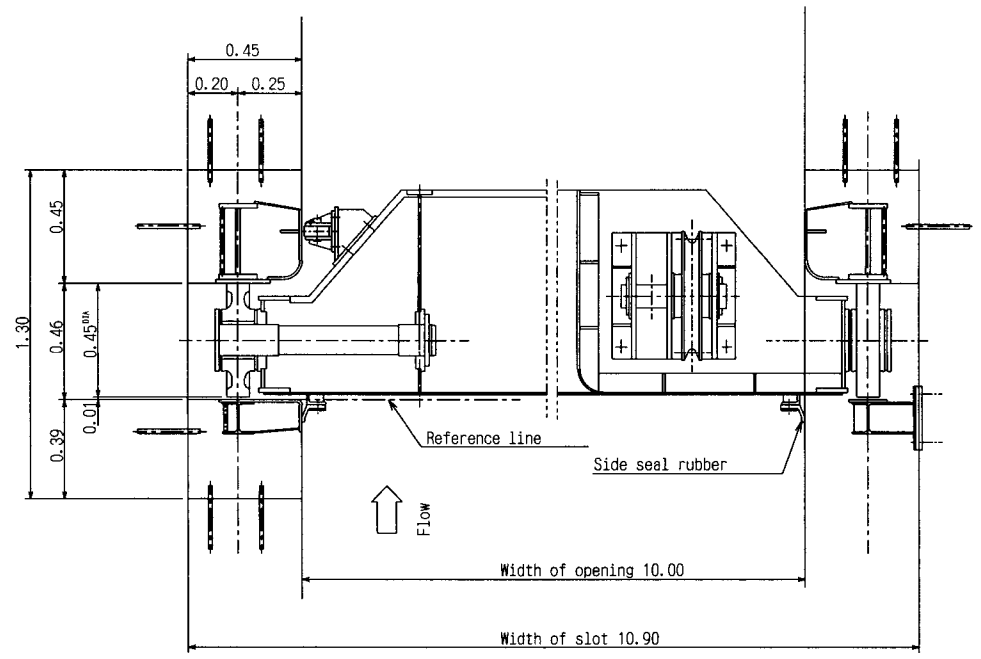
NOTES:

1. This drawing scales are as follows:
2. The waterstops shall be installed in all contraction and expansion joints.

THE ARAB REPUBLIC OF EGYPT MINISTRY OF WATER RESOURCES AND IRRIGATION NORTH SINAI DEVELOPMENT ORGANIZATION	
THE NORTH SINAI INTEGRATED RURAL DEVELOPMENT PROJECT (PHASE III)	
CONVEYANCE SYSTEM OF EL SHEIKH GABER EL SABBABH CANAL BETWEEN KM 108.466 AND KM 118.560 EL SALAAM No.7 (BIR EL ABO) PUMPING STATION	
SAND SETTLING BASIN DETAILED GATE SECTION	
JAPAN INTERNATIONAL COOPERATION AGENCY (JICA) SANYU CONSULTANTS INC. PACIFIC CONSULTANTS INTERNATIONAL	
DESIGNED	
TRACED	
CHECKED	
APPROVED	
DRAWING NO.	SSB-203



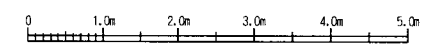
PLAN
SCALE 1:100



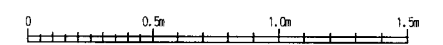
DETAIL OF SLOT
SCALE 1:30

NOTES:

1. This drawing scale is 1:100 and 1:30



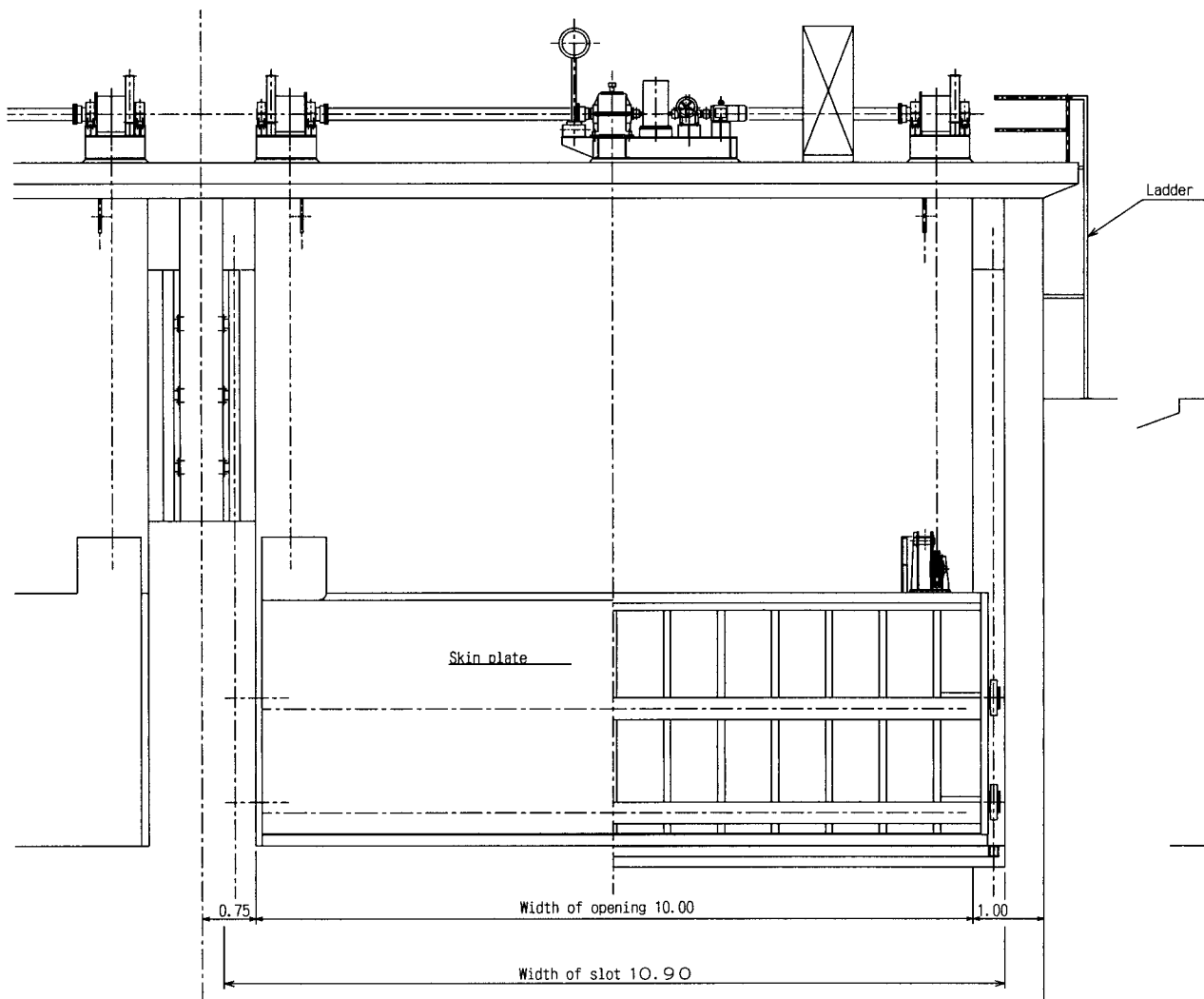
SCALE 1:100



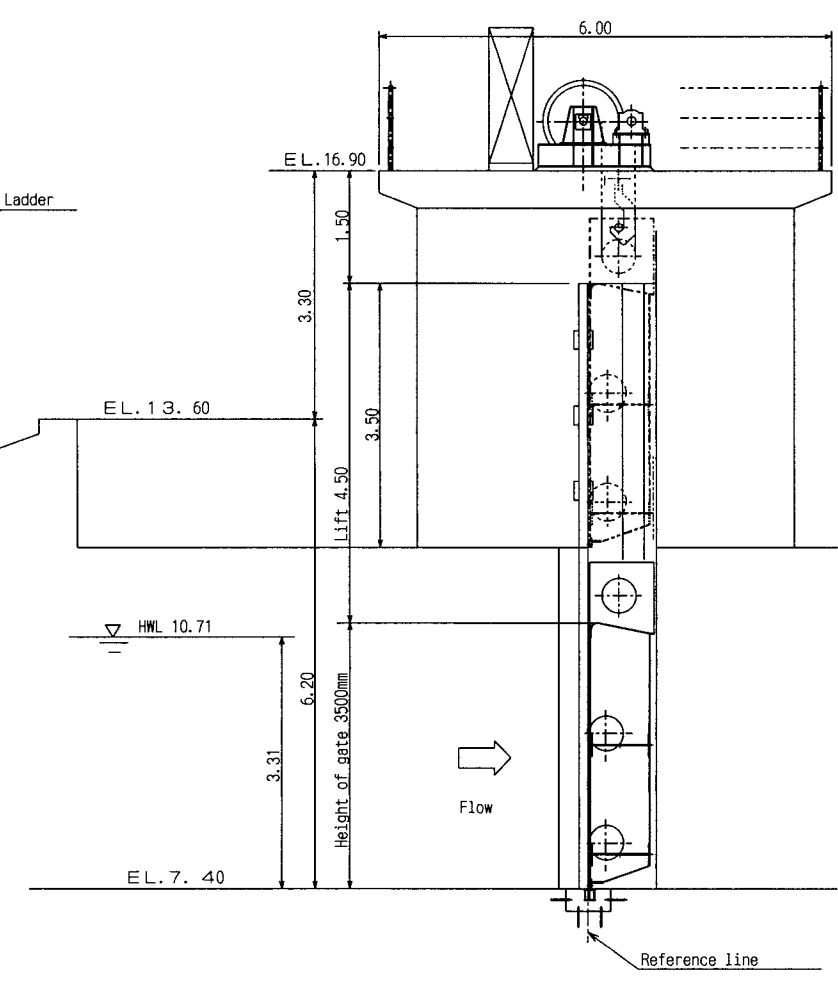
SCALE 1:30

DESIGN DATA

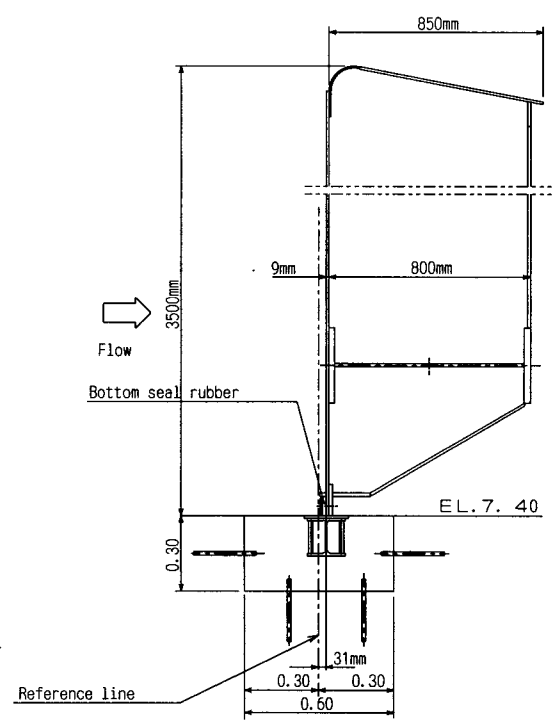
Type	Roller gate
Clear span	10.00m
Long height	3.50m
Design head	3.50m
Water seal	3 edges
	Seal rubber
Hoisting speed	0.30m/min.
Lifting	4.50m
Control system	Local and remote



ELEVATION
SCALE 1:100



PROFILE
SCALE 1:100



DETAIL OF TOP AND BOTTOM
SCALE 1:30

THE ARAB REPUBLIC OF EGYPT MINISTRY OF WATER RESOURCES AND IRRIGATION NORTH SINAI DEVELOPMENT ORGANIZATION	
THE NORTH SINAI INTEGRATED RURAL DEVELOPMENT PROJECT (PHASE III)	
CONVEYANCE SYSTEM OF EL SHEIKH GABER EL SABBABH CANAL BETWEEN KM 108.466 AND KM 118.560 EL SALAAM No. 7 (BIR EL ABD) PUMPING STATION	
SAND SETTLING BASIN GENERAL ARRANGEMENT OF ROLLER GATE	
JAPAN INTERNATIONAL COOPERATION AGENCY (JICA) SANYU CONSULTANTS INC, PACIFIC CONSULTANTS INTERNATIONAL	
DESIGNED	
TRACED	
CHECKED	
APPROVED	
DRAWING NO.	SSB-204

