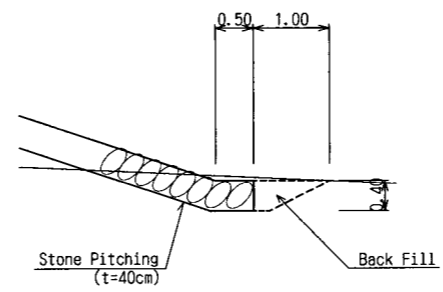
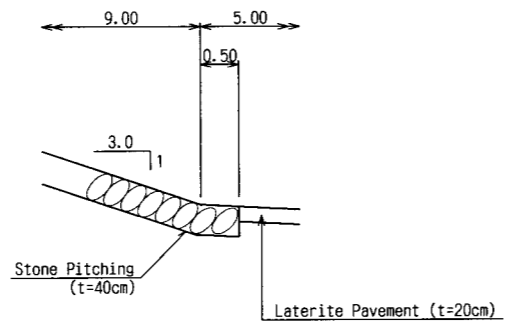
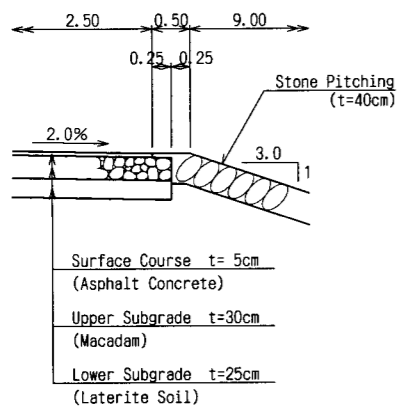
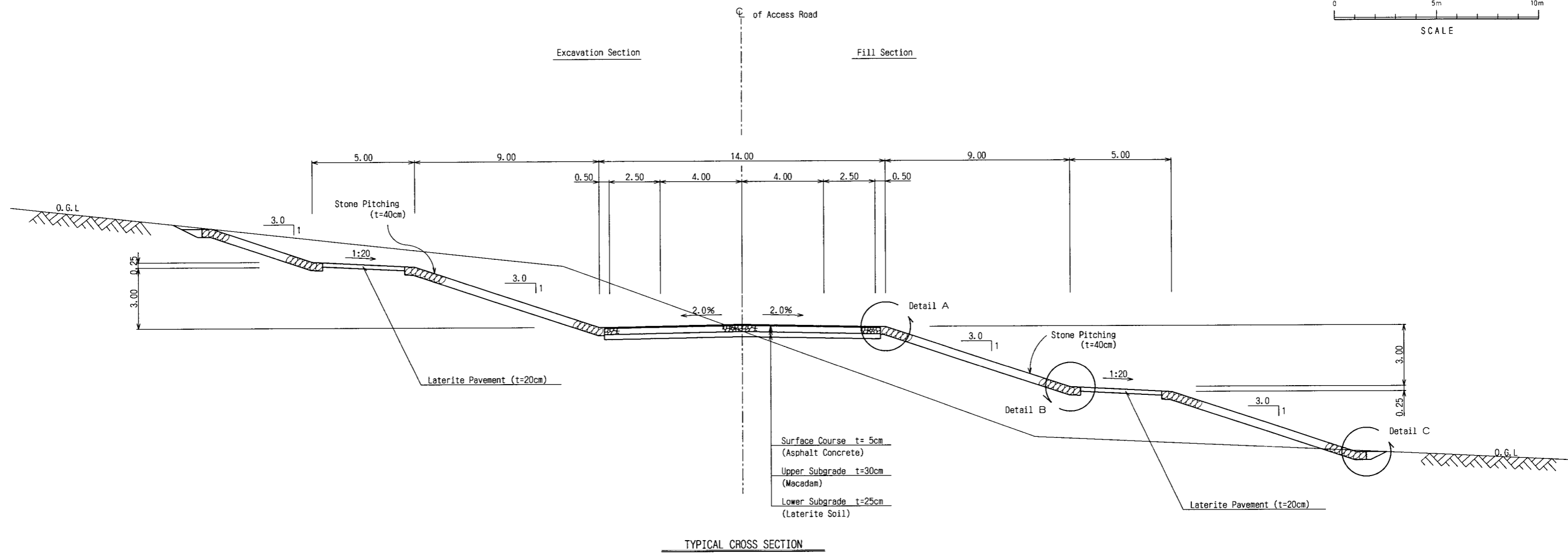
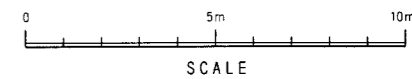


NOTES:

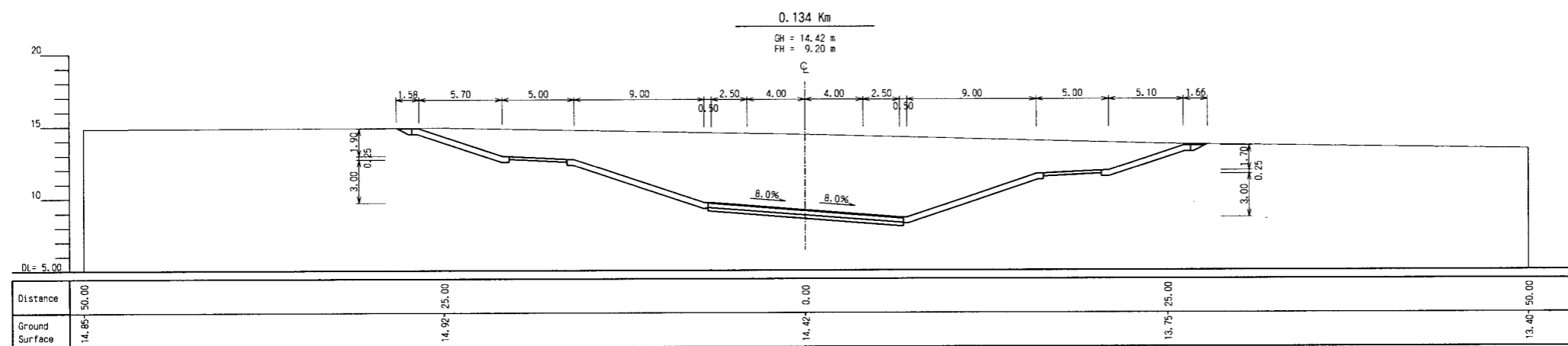
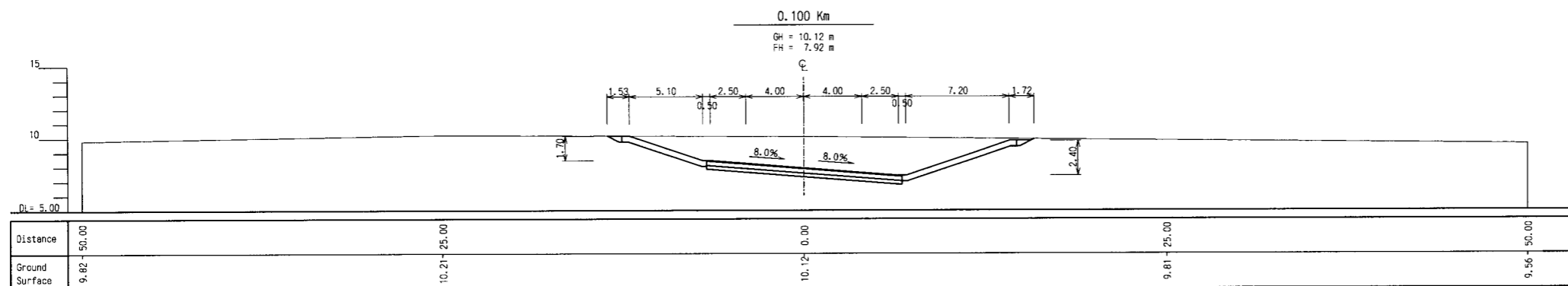
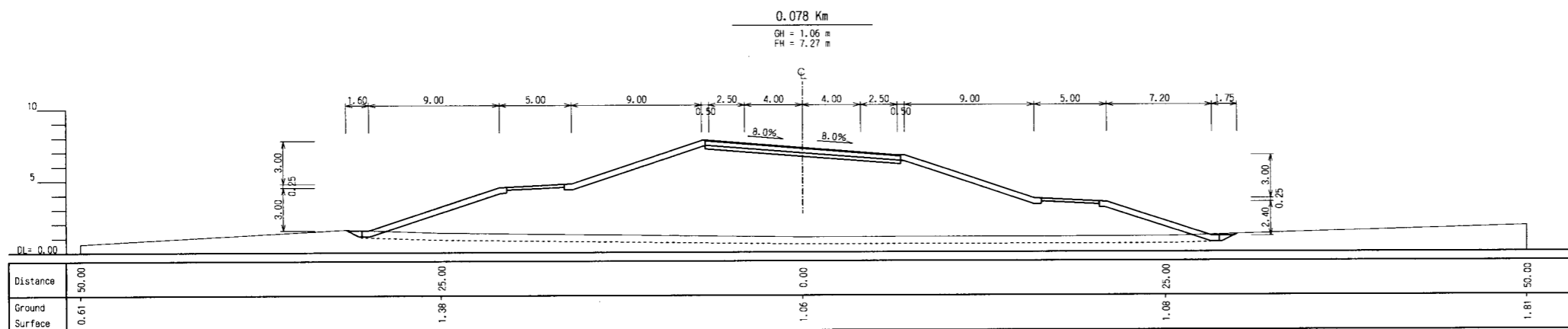
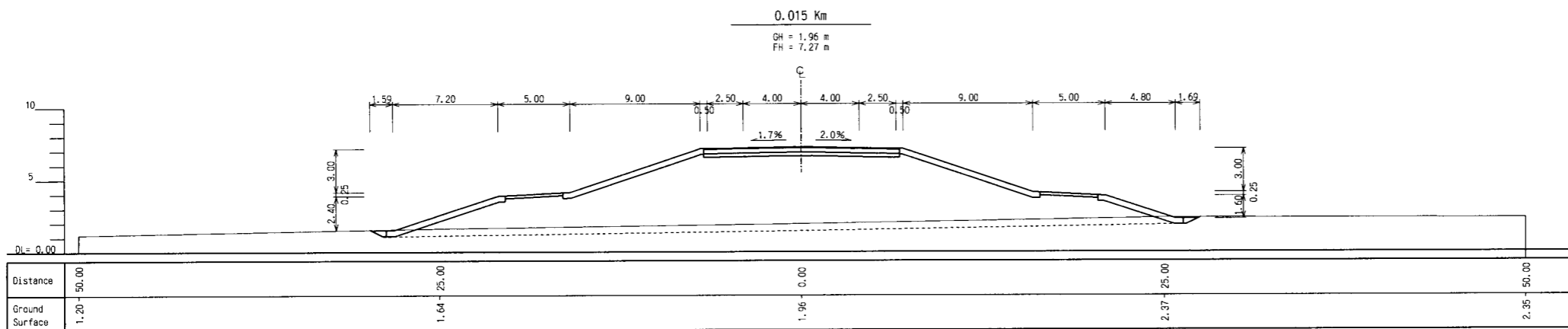
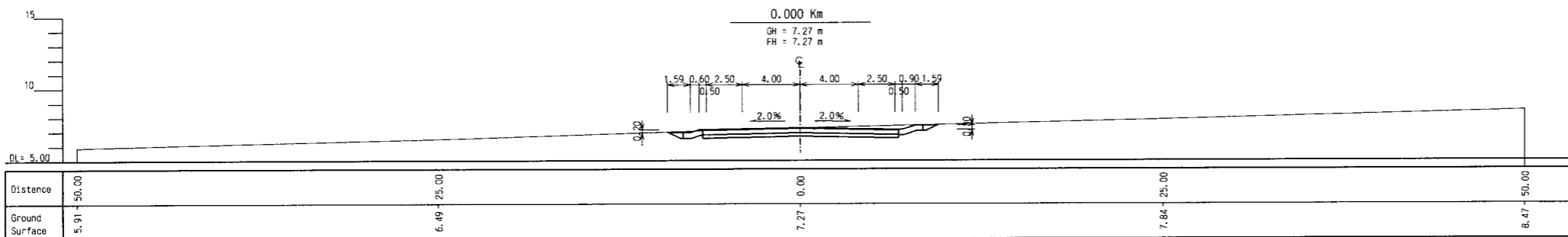
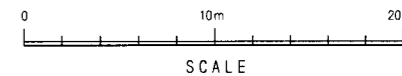
1. This drawing scale is S=1:200



THE ARAB REPUBLIC OF EGYPT MINISTRY OF WATER RESOURCES AND IRRIGATION NORTH SINAI DEVELOPMENT ORGANIZATION	
THE NORTH SINAI INTEGRATED RURAL DEVELOPMENT PROJECT (PHASE III)	
CONVEYANCE SYSTEM OF EL SHEIKH GABER EL SABBAAH CANAL BETWEEN KM 86.500 AND KM 108.466	
NO.2 ACCESS ROAD TYPICAL CROSS SECTION	
JAPAN INTERNATIONAL COOPERATION AGENCY (JICA) SANYU CONSULTANTS INC, PACIFIC CONSULTANTS INTERNATIONAL	
DESIGNED	
TRACED	
CHECKED	
APPROVED	
DRAWING NO.	OMR-107

NOTES:

1. This drawing scale is S=1:400



THE ARAB REPUBLIC OF EGYPT
MINISTRY OF WATER RESOURCES AND IRRIGATION
NORTH SINAI DEVELOPMENT ORGANIZATION

THE NORTH SINAI INTEGRATED RURAL
DEVELOPMENT PROJECT (PHASE III)

CONVEYANCE SYSTEM OF EL SHEIKH GABER EL SABBABH CANAL
BETWEEN KM 86.500 AND KM 108.466

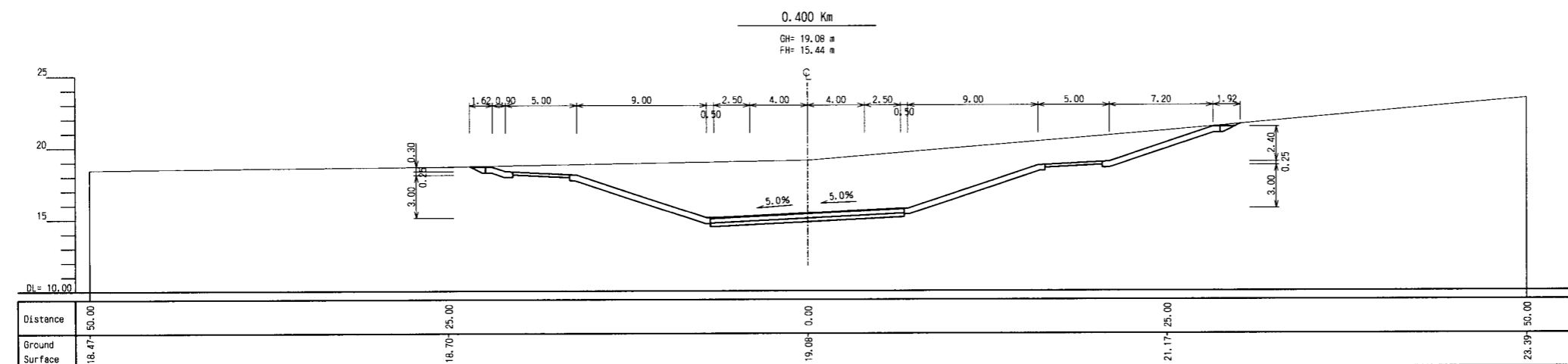
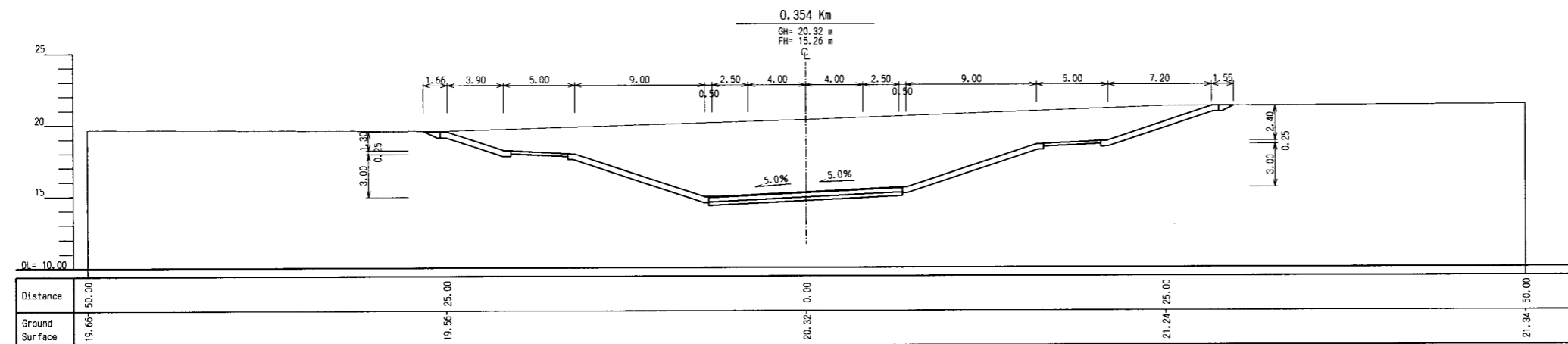
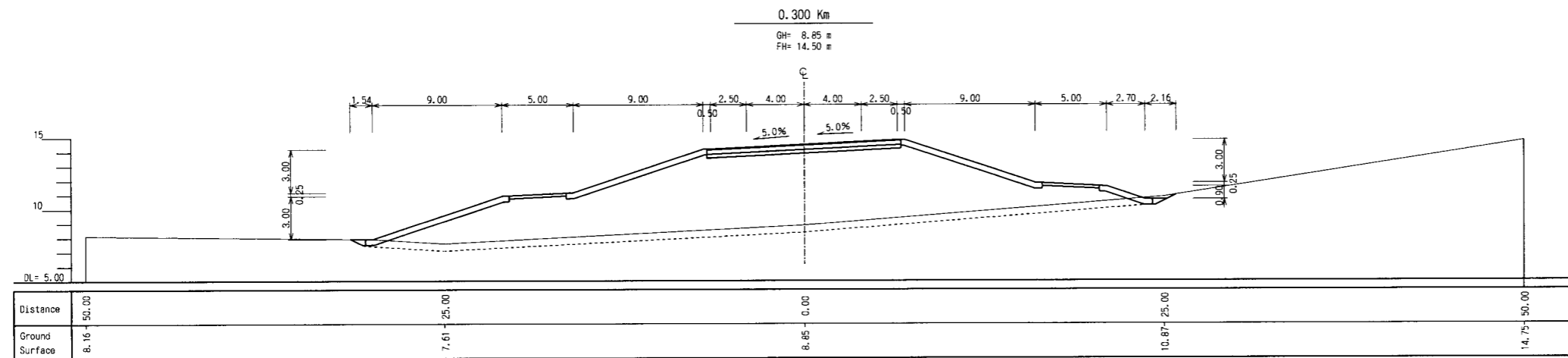
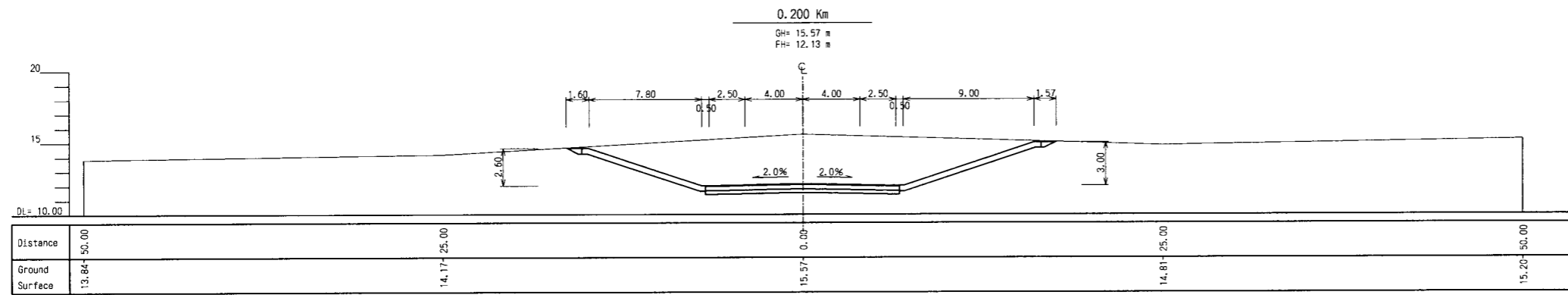
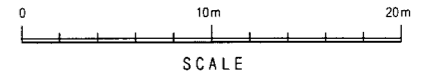
NO. 2 ACCESS ROAD
CROSS SECTION (1/8)
BETWEEN KM. 0.000 AND KM. 0.134

JAPAN INTERNATIONAL COOPERATION AGENCY (JICA)
SANYU CONSULTANTS INC, PACIFIC CONSULTANTS INTERNATIONAL

DESIGNED	
TRACED	
CHECKED	
APPROVED	
DRAWING NO.	OMR-108

NOTES:

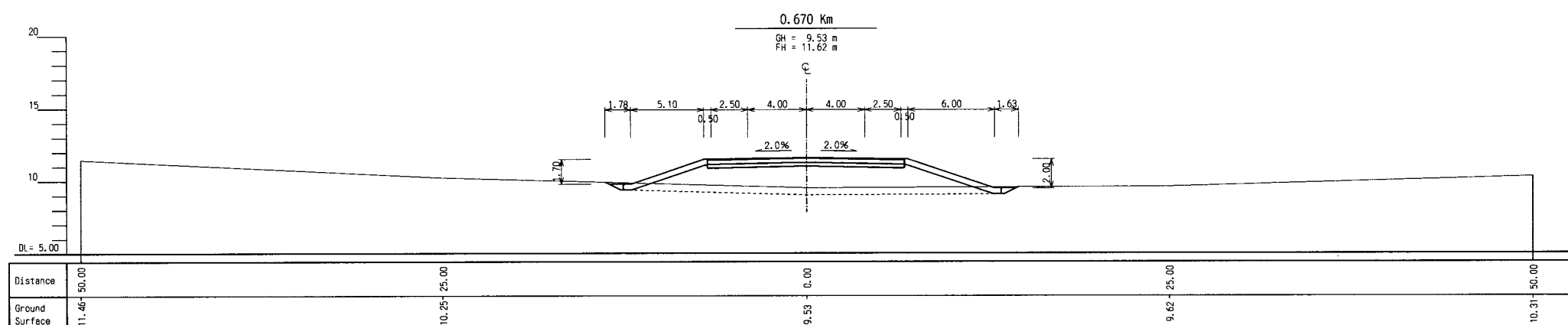
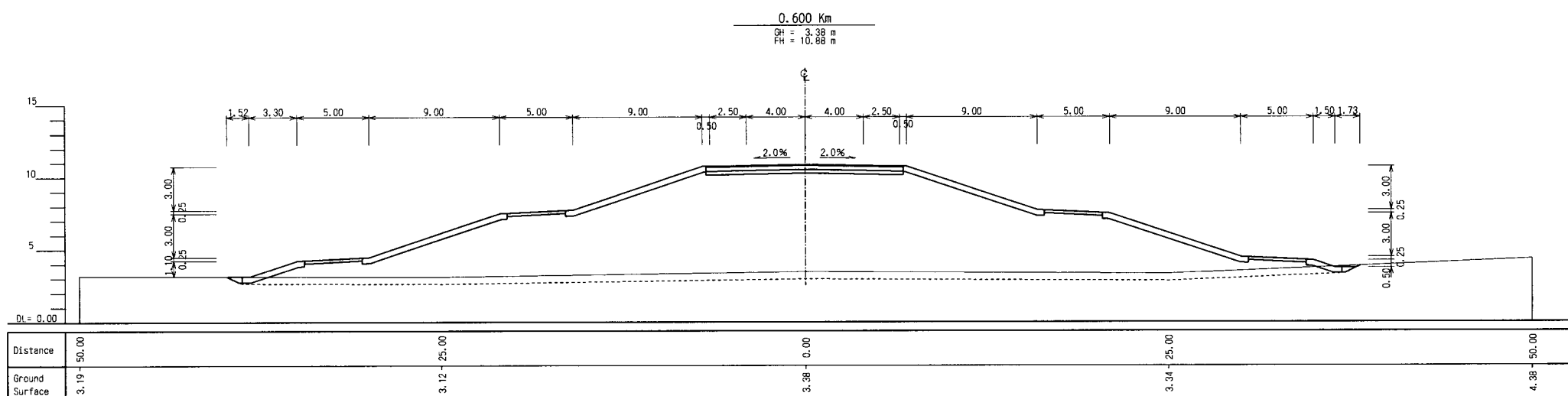
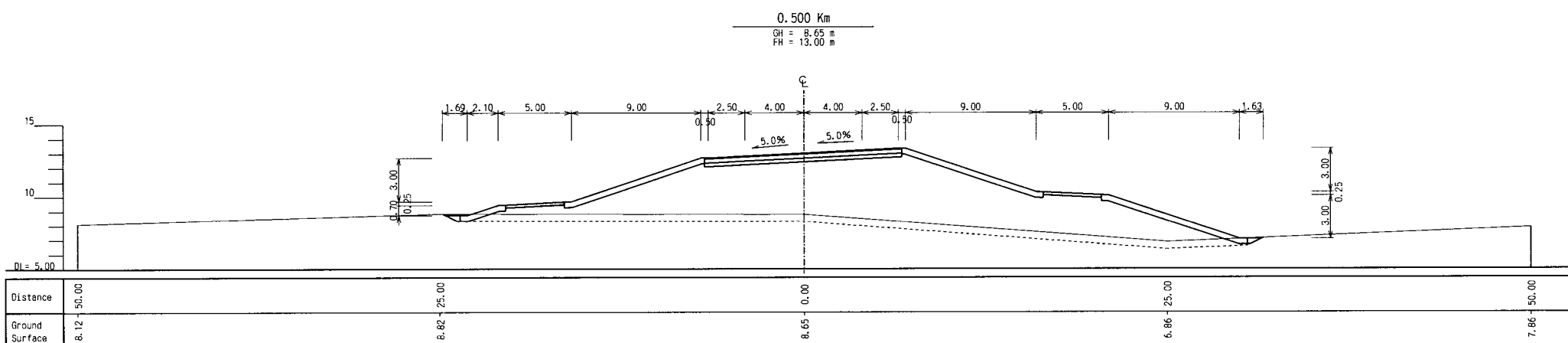
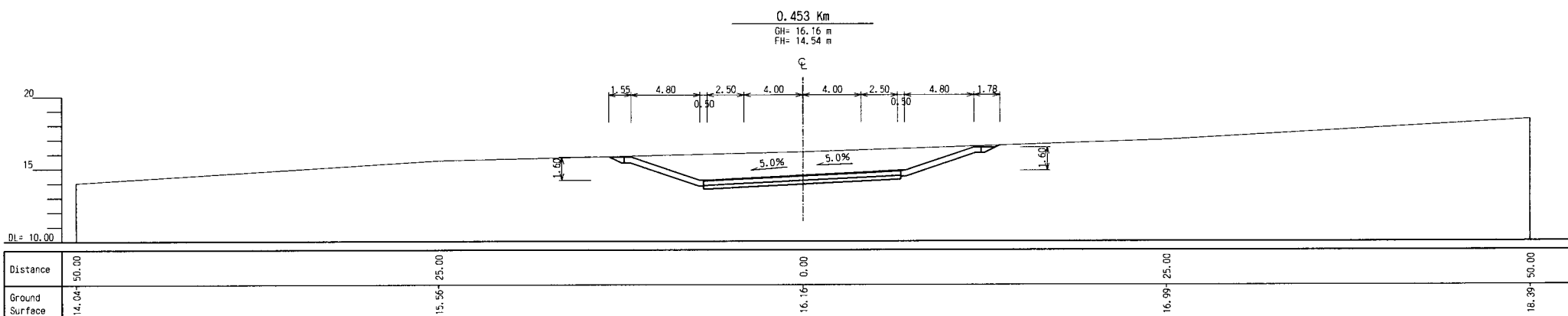
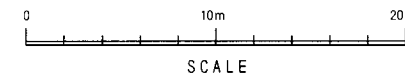
1. This drawing scale is S=1:400



THE ARAB REPUBLIC OF EGYPT MINISTRY OF WATER RESOURCES AND IRRIGATION NORTH SINAI DEVELOPMENT ORGANIZATION	
THE NORTH SINAI INTEGRATED RURAL DEVELOPMENT PROJECT (PHASE III)	
CONVEYANCE SYSTEM OF EL SHEIKH GABER EL SABBAAH CANAL BETWEEN KM 86.500 AND KM 108.466	
NO. 2 ACCESS ROAD CROSS SECTION (2/8) BETWEEN KM. 0.200 AND KM. 0.400	
JAPAN INTERNATIONAL COOPERATION AGENCY (JICA) SANYU CONSULTANTS INC, PACIFIC CONSULTANTS INTERNATIONAL	
DESIGNED	
TRACED	
CHECKED	
APPROVED	
DRAWING NO.	OMR-109

NOTES:

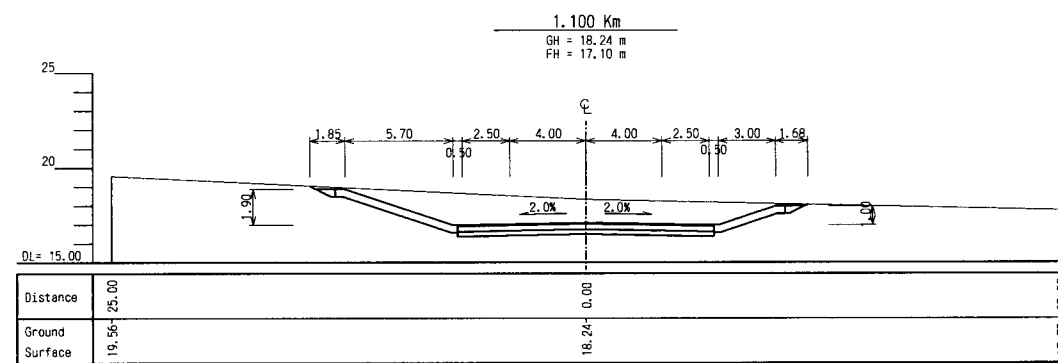
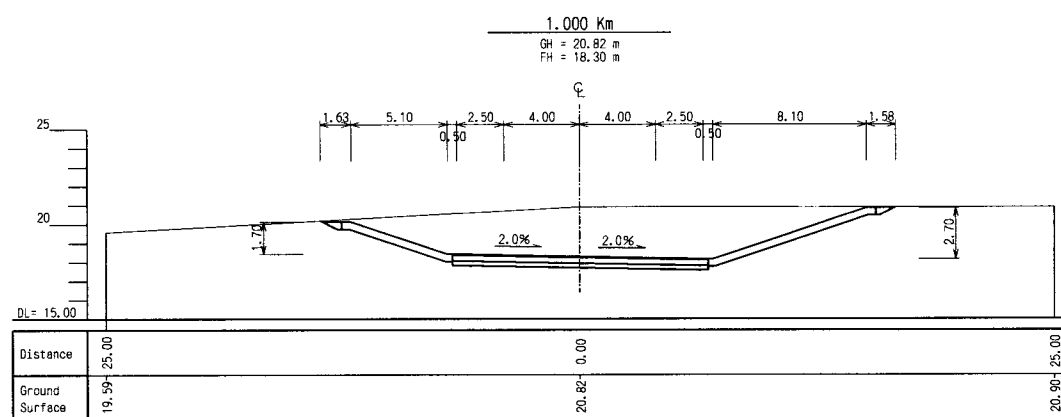
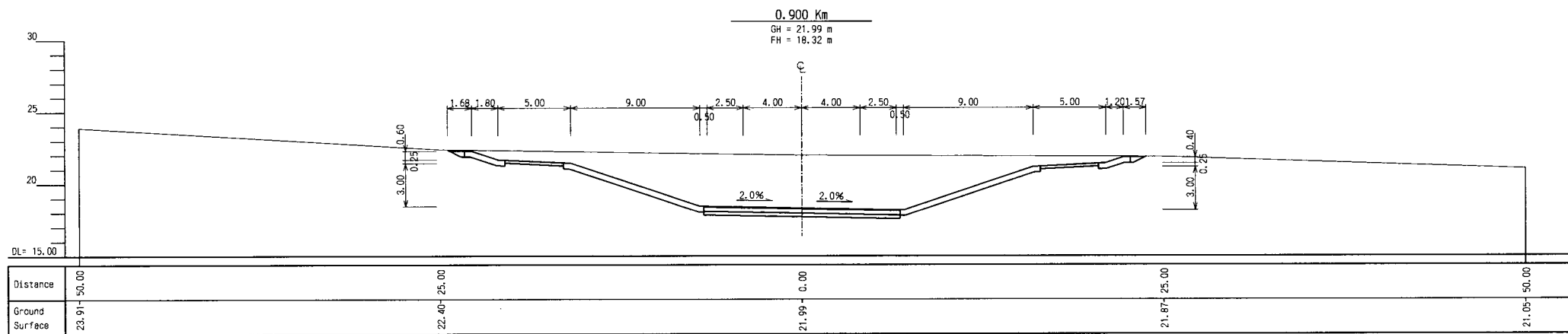
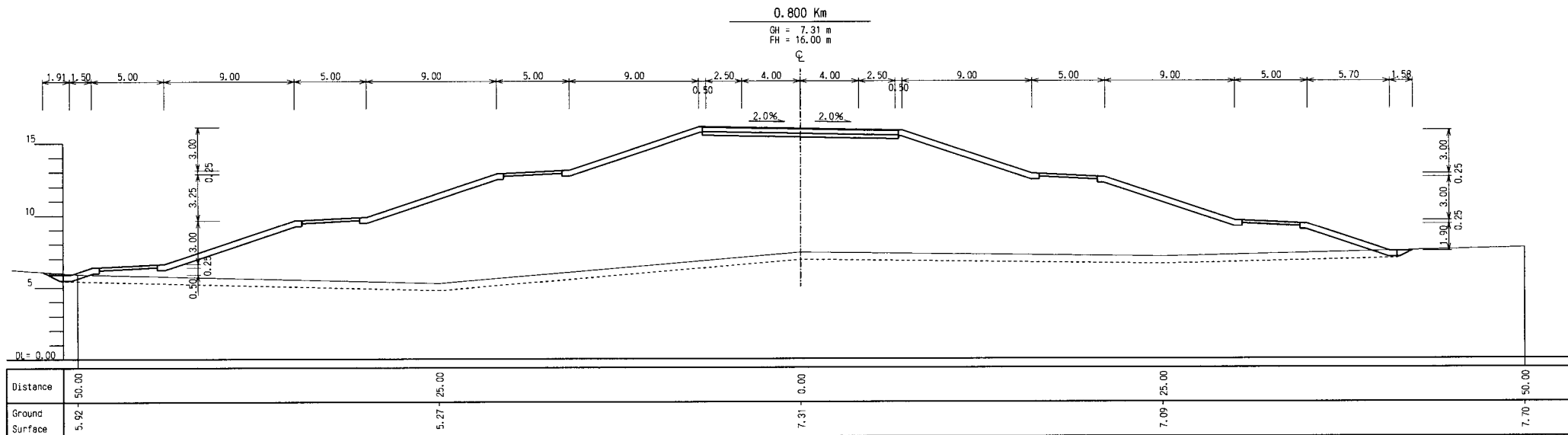
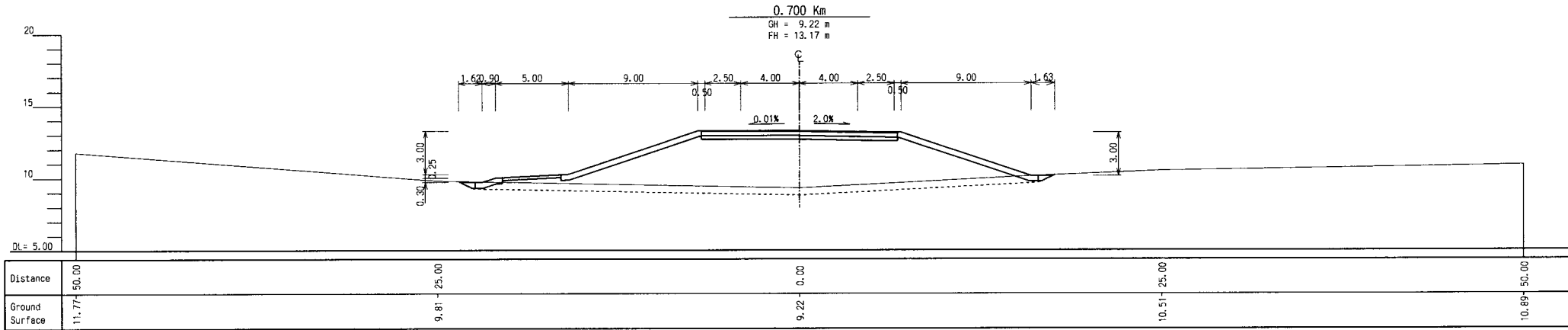
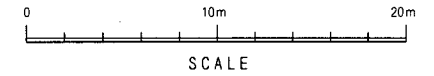
1. This drawing scale is S=1:400



THE ARAB REPUBLIC OF EGYPT MINISTRY OF WATER RESOURCES AND IRRIGATION NORTH SINAI DEVELOPMENT ORGANIZATION	
THE NORTH SINAI INTEGRATED RURAL DEVELOPMENT PROJECT (PHASE III)	
CONVEYANCE SYSTEM OF EL SHEIKH GABER EL SABBABH CANAL BETWEEN KM. 86.500 AND KM. 108.466	
NO. 2 ACCESS ROAD	
CROSS SECTION (3/8) BETWEEN KM. 0.453 AND KM. 0.670	
JAPAN INTERNATIONAL COOPERATION AGENCY (JICA) SANYU CONSULTANTS INC, PACIFIC CONSULTANTS INTERNATIONAL	
DESIGNED	
TRACED	
CHECKED	
APPROVED	
DRAWING NO.	OMR-110

NOTES:

1. This drawing scale is S=1:400



THE ARAB REPUBLIC OF EGYPT
MINISTRY OF WATER RESOURCES AND IRRIGATION
NORTH SINAI DEVELOPMENT ORGANIZATION

THE NORTH SINAI INTEGRATED RURAL
DEVELOPMENT PROJECT (PHASE III)

CONVEYANCE SYSTEM OF EL SHEIKH GABER EL SABBABH CANAL
BETWEEN KM 86.500 AND KM 108.466

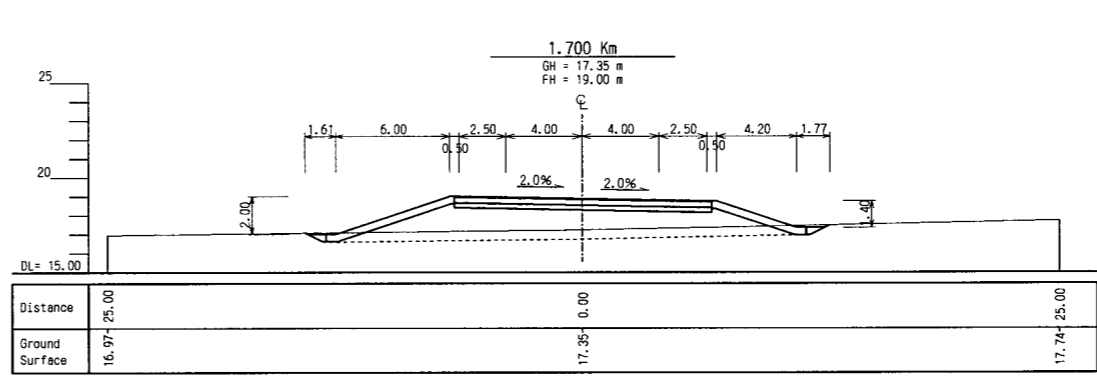
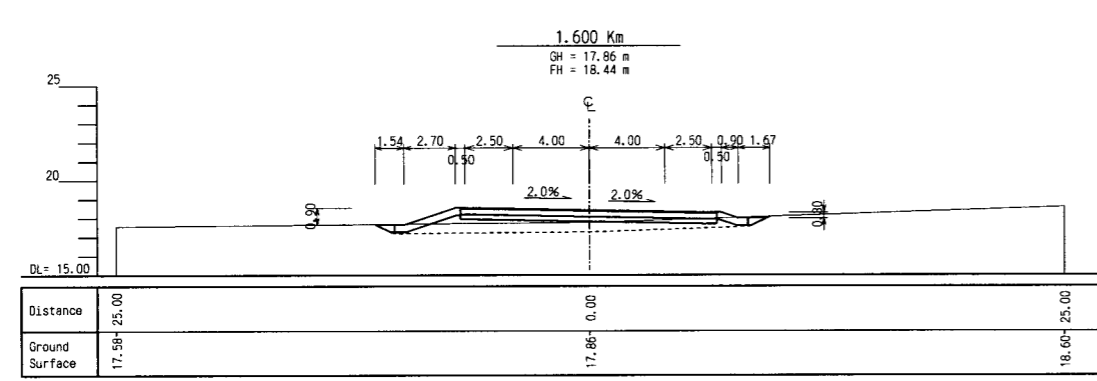
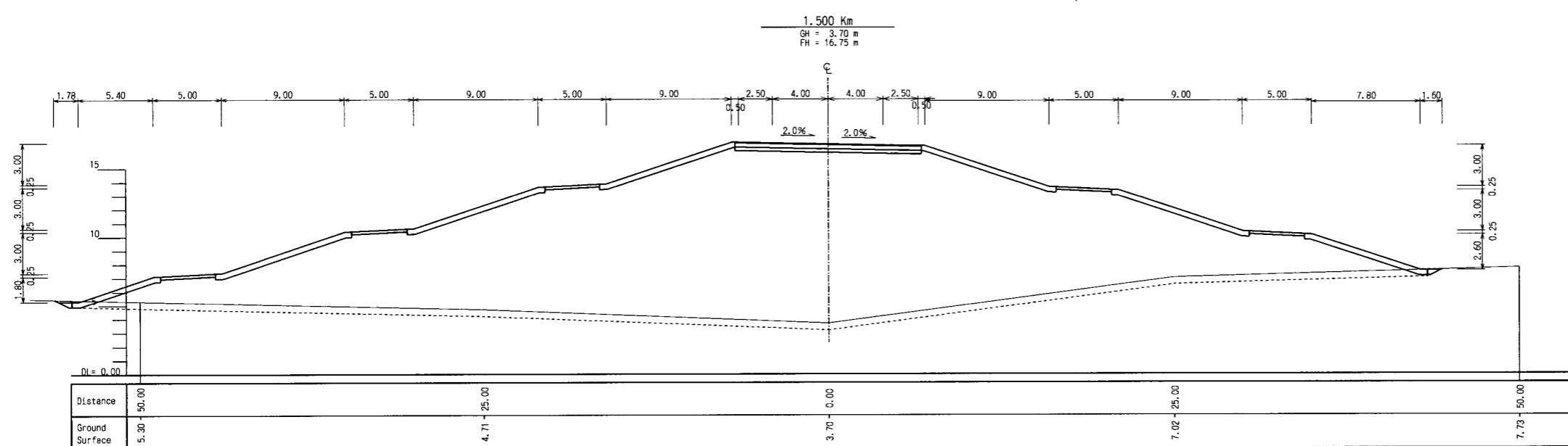
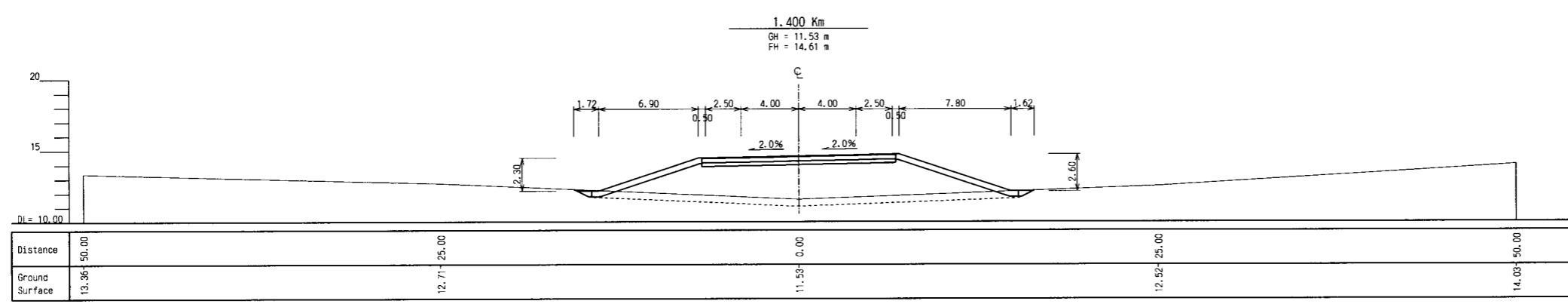
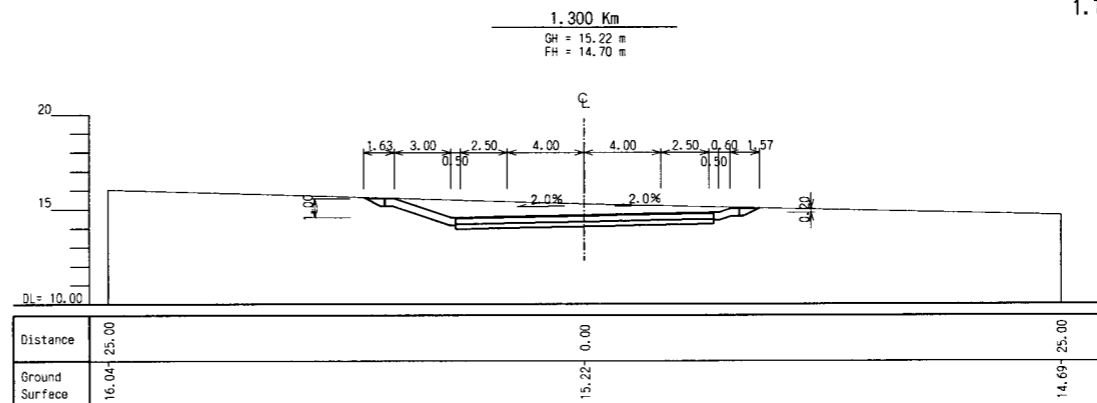
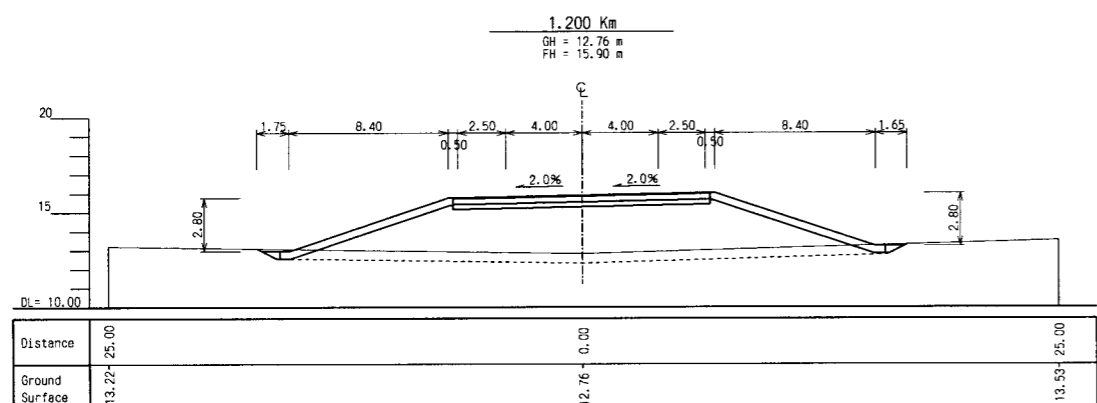
NO. 2 ACCESS ROAD
CROSS SECTION (4/8)
BETWEEN KM. 0.700 AND KM. 1.100

JAPAN INTERNATIONAL COOPERATION AGENCY (JICA)
SANYU CONSULTANTS INC, PACIFIC CONSULTANTS INTERNATIONAL

DESIGNED	
TRACED	
CHECKED	
APPROVED	
DRAWING NO.	OMR-111

NOTES:

1. This drawing scale is S=1:400



THE ARAB REPUBLIC OF EGYPT
MINISTRY OF WATER RESOURCES AND IRRIGATION
NORTH SINAI DEVELOPMENT ORGANIZATION

THE NORTH SINAI INTEGRATED RURAL
DEVELOPMENT PROJECT (PHASE III)

CONVEYANCE SYSTEM OF EL SHEIKH GABER EL SABBAB CANAL
BETWEEN KM. 86.500 AND KM. 108.466

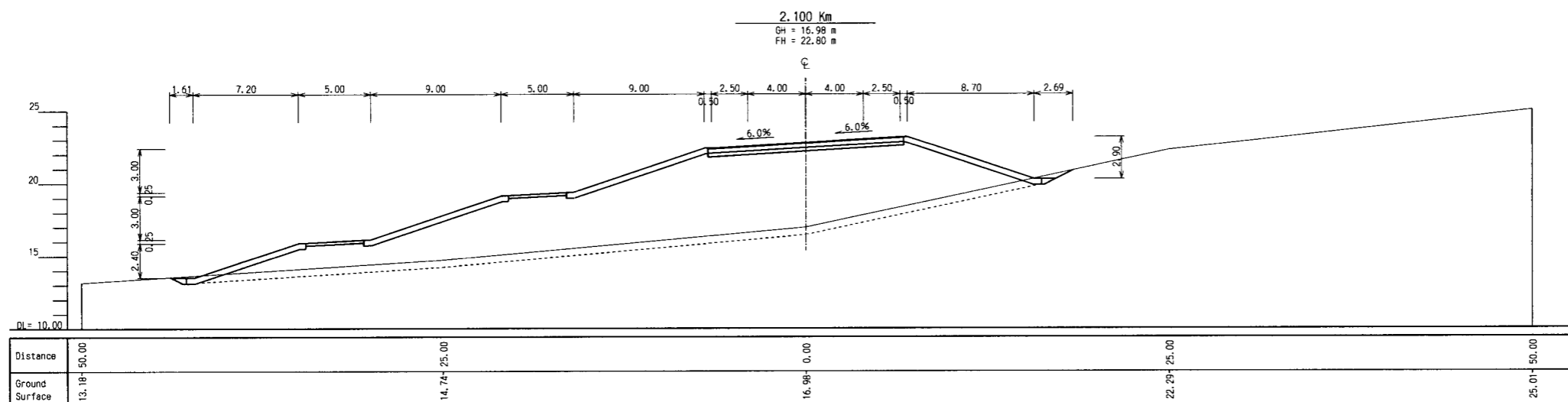
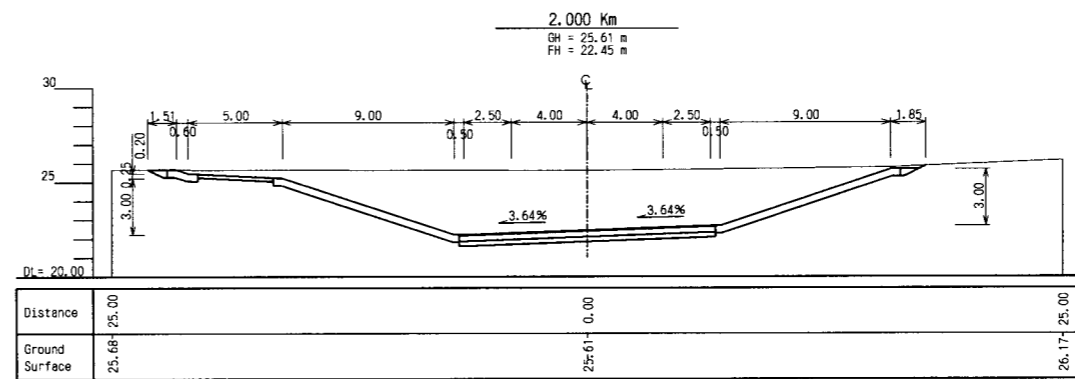
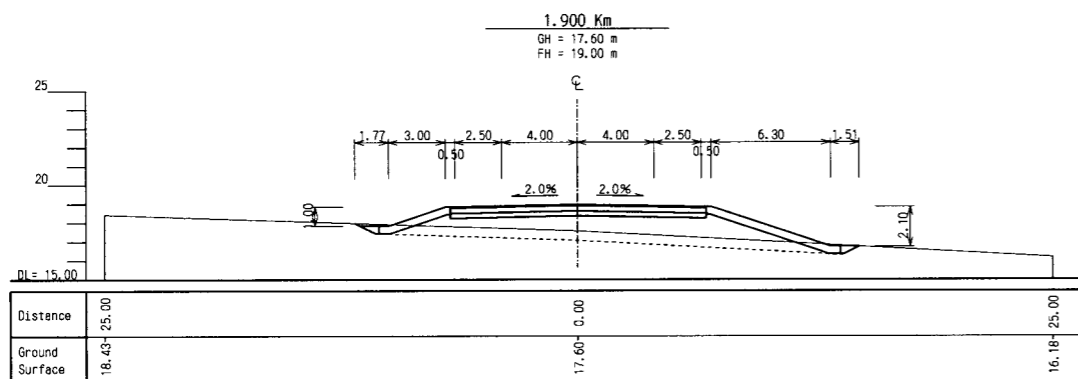
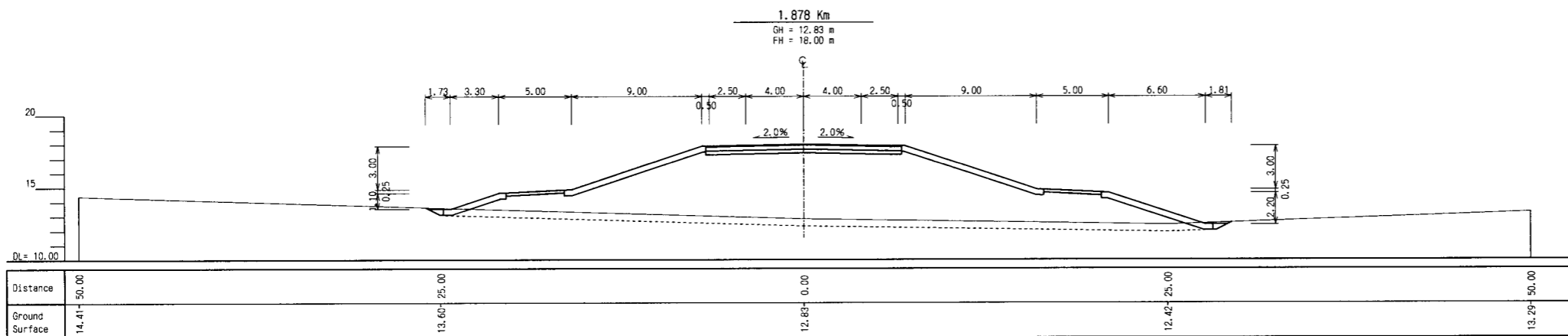
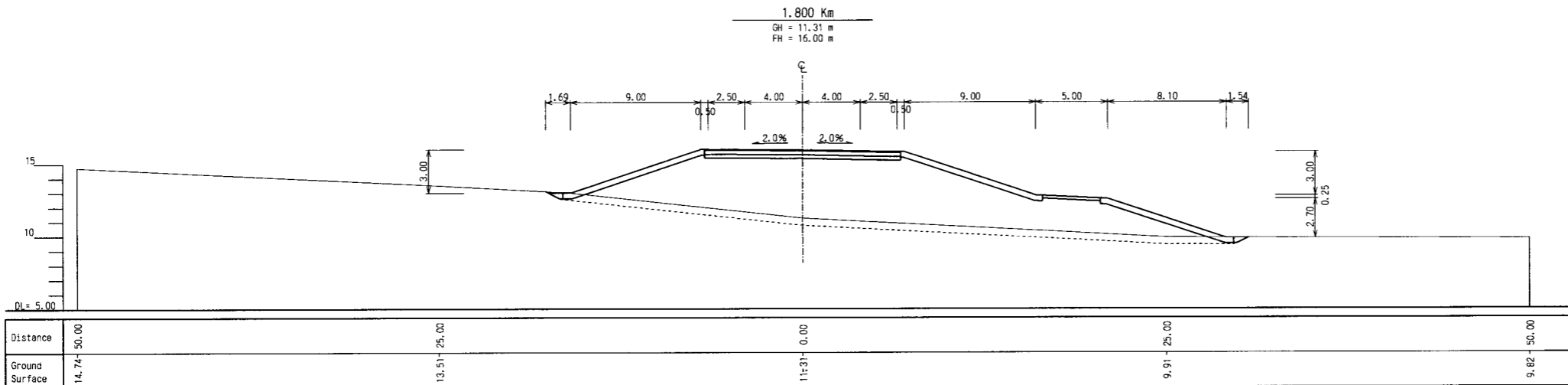
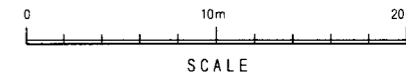
NO. 2 ACCESS ROAD
CROSS SECTION (5/8)
BETWEEN KM. 1.200 AND KM. 1.700

JAPAN INTERNATIONAL COOPERATION AGENCY (JICA)
SANYU CONSULTANTS INC., PACIFIC CONSULTANTS INTERNATIONAL

DESIGNED	
TRACED	
CHECKED	
APPROVED	
DRAWING NO.	OMR-112

NOTES:

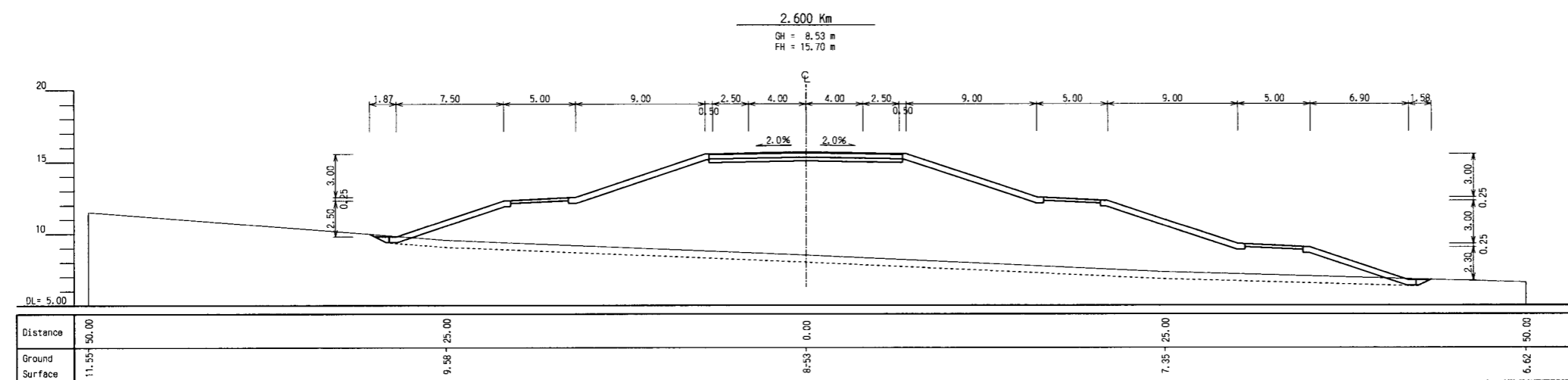
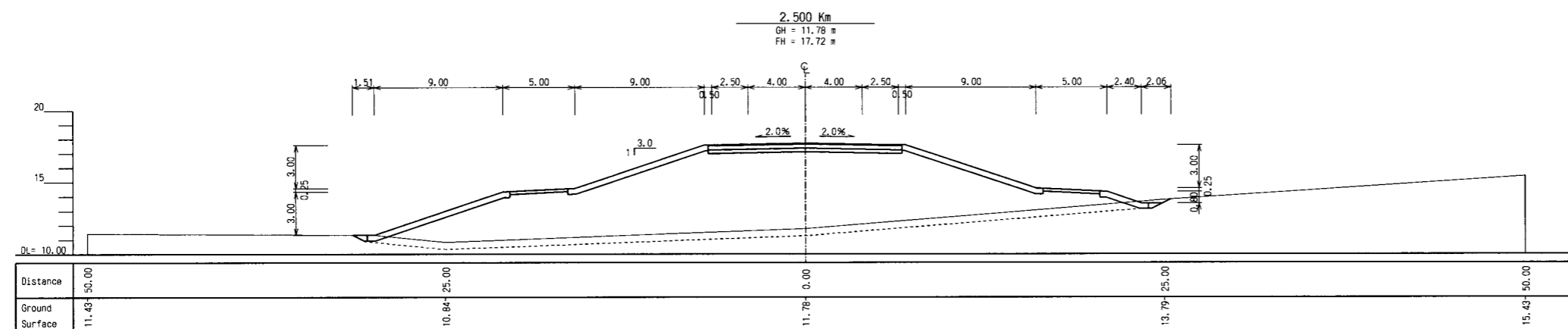
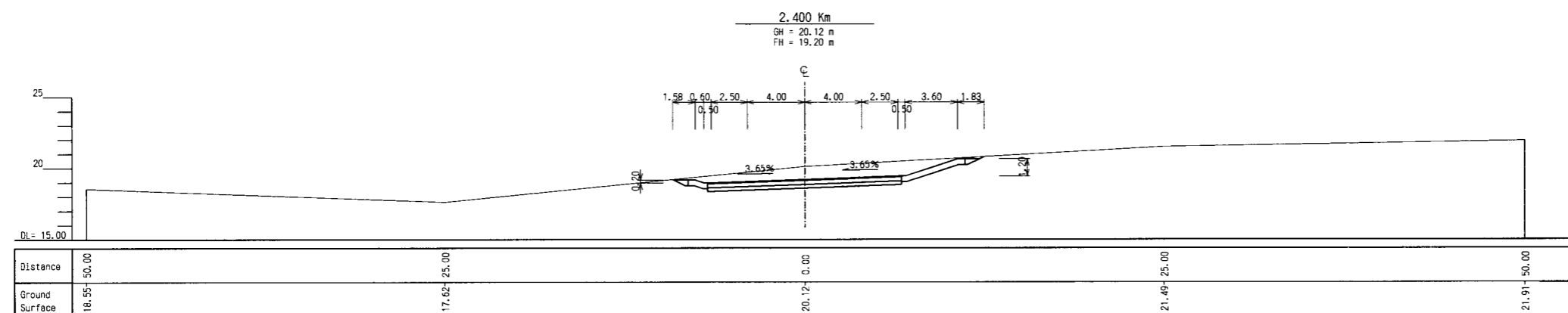
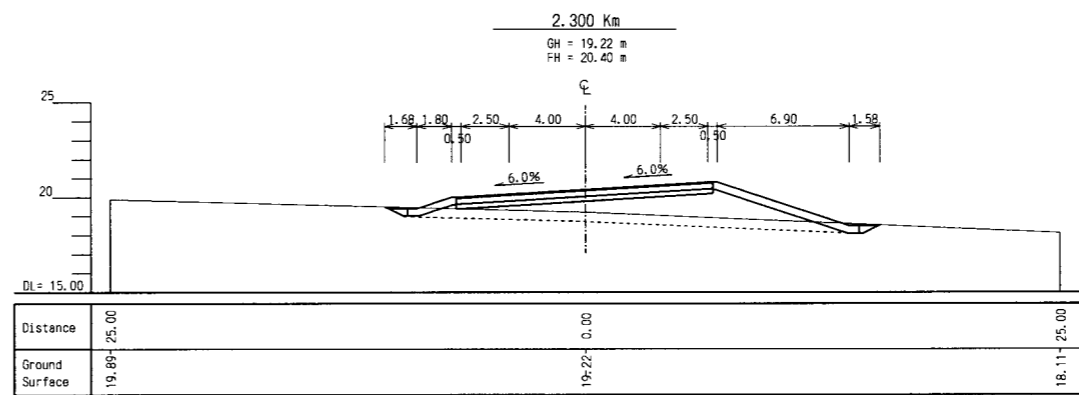
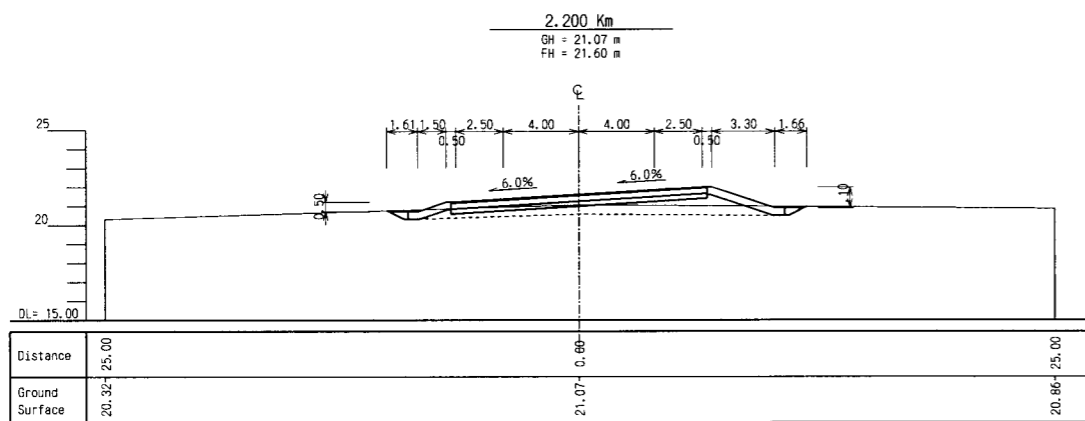
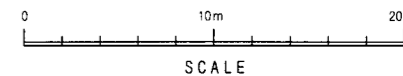
1. This drawing scale is S=1:400



THE ARAB REPUBLIC OF EGYPT MINISTRY OF WATER RESOURCES AND IRRIGATION NORTH SINAI DEVELOPMENT ORGANIZATION	
THE NORTH SINAI INTEGRATED RURAL DEVELOPMENT PROJECT (PHASE III)	
CONVEYANCE SYSTEM OF EL SHEIKH GABER EL SABBABH CANAL BETWEEN KM 86.500 AND KM 108.466	
NO. 2 ACCESS ROAD	
CROSS SECTION (6/8) BETWEEN KM. 1.800 AND KM. 2.100	
JAPAN INTERNATIONAL COOPERATION AGENCY (JICA) SANYU CONSULTANTS INC, PACIFIC CONSULTANTS INTERNATIONAL	
DESIGNED	
TRACED	
CHECKED	
APPROVED	
DRAWING NO.	OMR-113

NOTES:

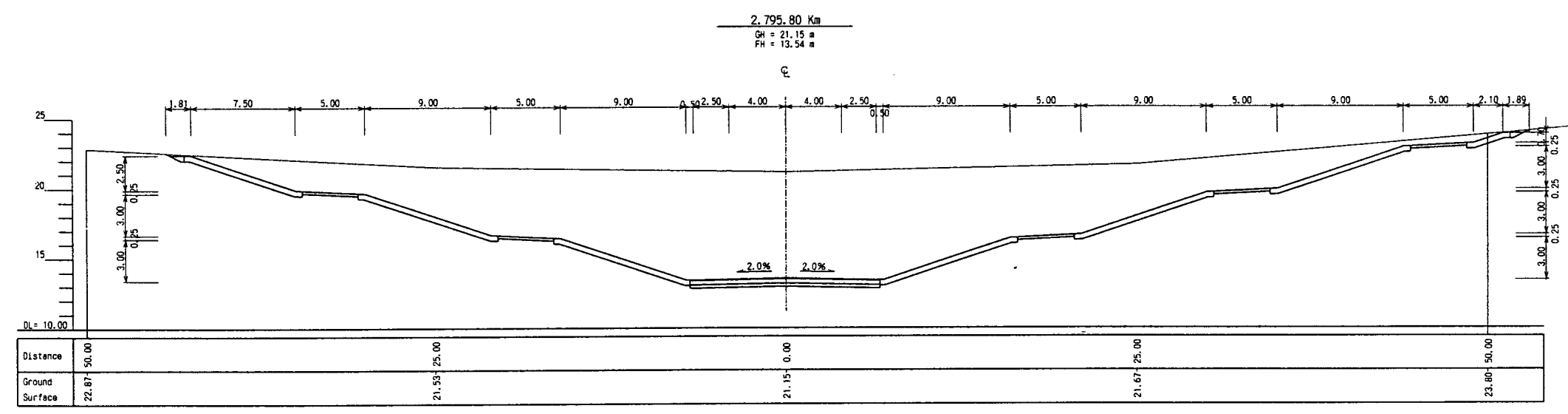
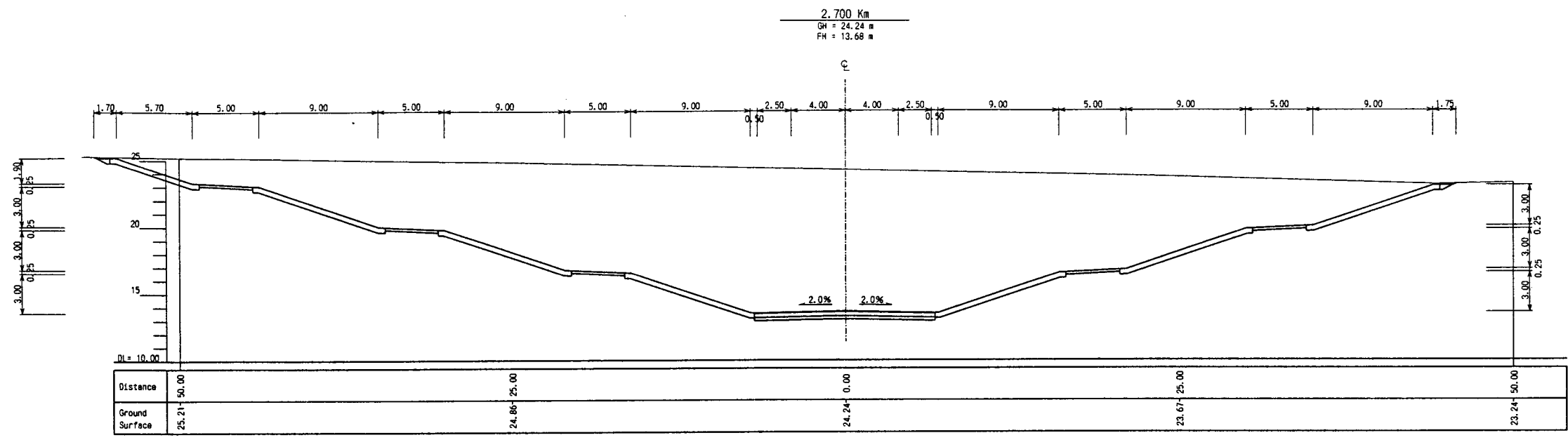
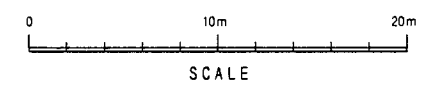
1. This drawing scale is S=1:400



THE ARAB REPUBLIC OF EGYPT MINISTRY OF WATER RESOURCES AND IRRIGATION NORTH SINAI DEVELOPMENT ORGANIZATION	
THE NORTH SINAI INTEGRATED RURAL DEVELOPMENT PROJECT (PHASE III)	
CONVEYANCE SYSTEM OF EL SHEIKH GABER EL SABBABH CANAL BETWEEN KM 86.500 AND KM 108.466	
NO. 2 ACCESS ROAD	
CROSS SECTION (7/8) BETWEEN KM. 2.200 AND KM. 2.600	
JAPAN INTERNATIONAL COOPERATION AGENCY (JICA) SANYU CONSULTANTS INC, PACIFIC CONSULTANTS INTERNATIONAL	
DESIGNED	
TRACED	
CHECKED	
APPROVED	
DRAWING NO.	OMR-114

NOTES:

1. This drawing scale is S=1:400



THE ARAB REPUBLIC OF EGYPT MINISTRY OF WATER RESOURCES AND IRRIGATION NORTH SINAI DEVELOPMENT ORGANIZATION	
THE NORTH SINAI INTEGRATED RURAL DEVELOPMENT PROJECT (PHASE III)	
CONVEYANCE SYSTEM OF EL SHEIKH GABER EL SABBAAH CANAL BETWEEN KM 86.500 AND KM 108.466 NO. 2 ACCESS ROAD CROSS SECTION (8/8) BETWEEN KM. 2.700 AND KM. 2.79580 (EP)	
JAPAN INTERNATIONAL COOPERATION AGENCY (JICA) SANYU CONSULTANTS INC, PACIFIC CONSULTANTS INTERNATIONAL	
DESIGNED	
TRACED	
CHECKED	
APPROVED	
DRAWING NO.	OMR-115