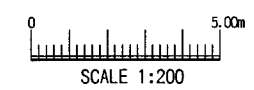
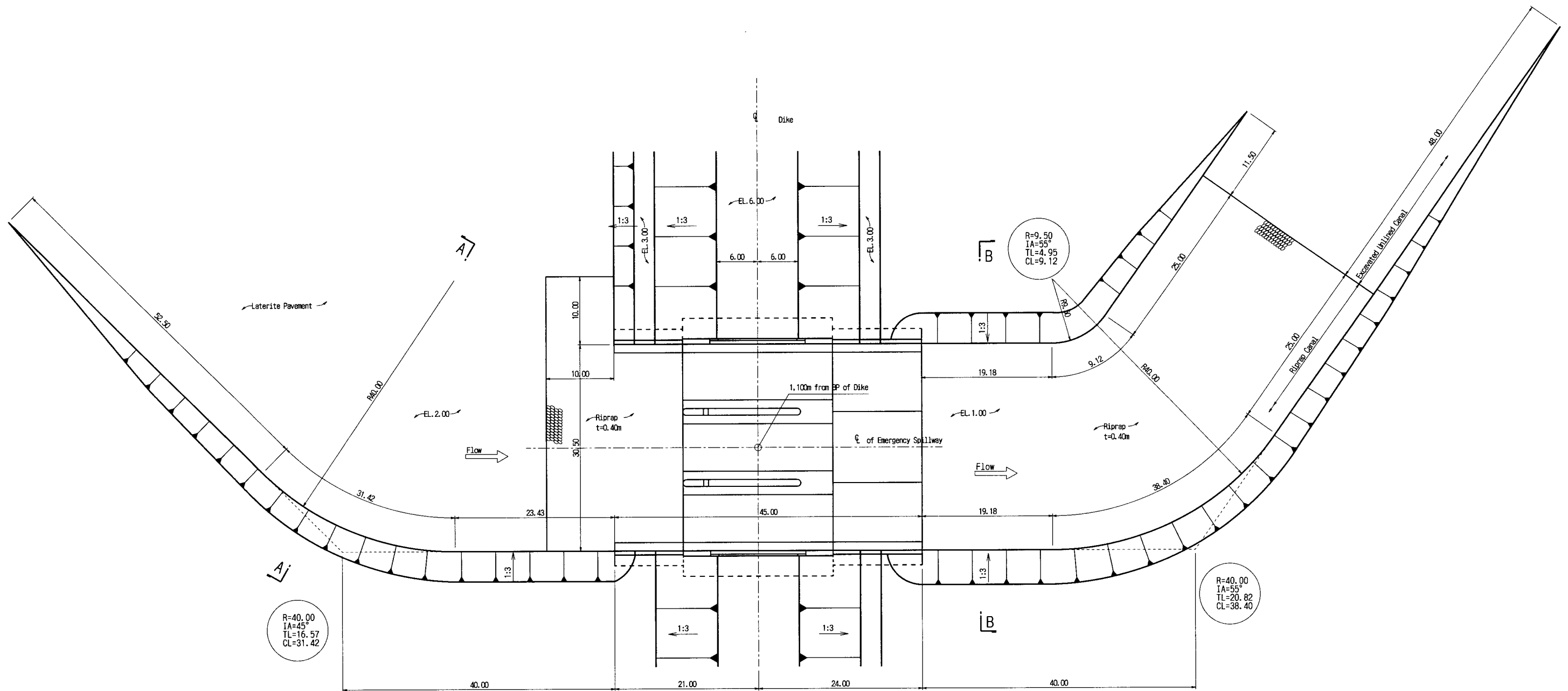


TYPICAL SECTION OF DIKE
SCALE 1:200



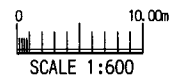
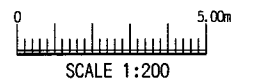
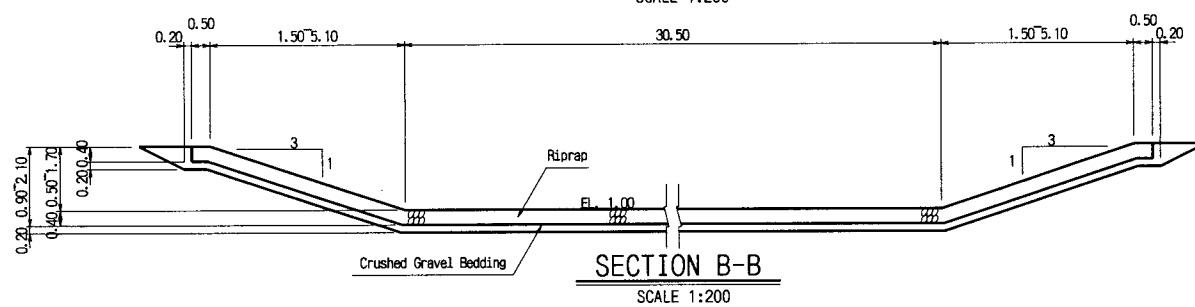
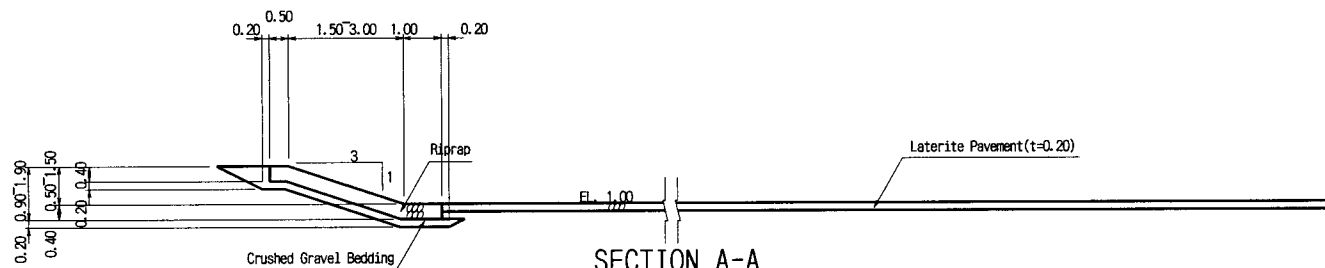
THE ARAB REPUBLIC OF EGYPT MINISTRY OF WATER RESOURCES AND IRRIGATION NORTH SINAI DEVELOPMENT ORGANIZATION	
THE NORTH SINAI INTEGRATED RURAL DEVELOPMENT PROJECT (PHASE III)	
CONVEYANCE SYSTEM OF EL SHEIKH GABER EL SABBAAH CANAL BETWEEN KM 86.500 AND KM 108.466	
DIKE TYPICAL SECTION	
JAPAN INTERNATIONAL COOPERATION AGENCY(JICA) SANYU CONSULTANTS INC, PACIFIC CONSULTANTS INTERNATIONAL	
DESIGNED	
TRACED	
CHECKED	
APPROVED	
DRAWING NO.	SPW-133



R=40.00
IA=45°
TL=16.57
CL=31.42

R=9.50
IA=55°
TL=4.95
CL=9.12

R=40.00
IA=55°
TL=20.82
CL=38.40



THE ARAB REPUBLIC OF EGYPT
MINISTRY OF WATER RESOURCES AND IRRIGATION
NORTH SINAI DEVELOPMENT ORGANIZATION

THE NORTH SINAI INTEGRATED RURAL
DEVELOPMENT PROJECT (PHASE III)

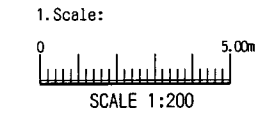
CONVEYANCE SYSTEM OF EL SHEIKH GABER EL SABBABH CANAL
BETWEEN KM 86.500 AND KM 108.466

EMERGENCY SPILLWAY
GENERAL PLAN AND SECTIONS

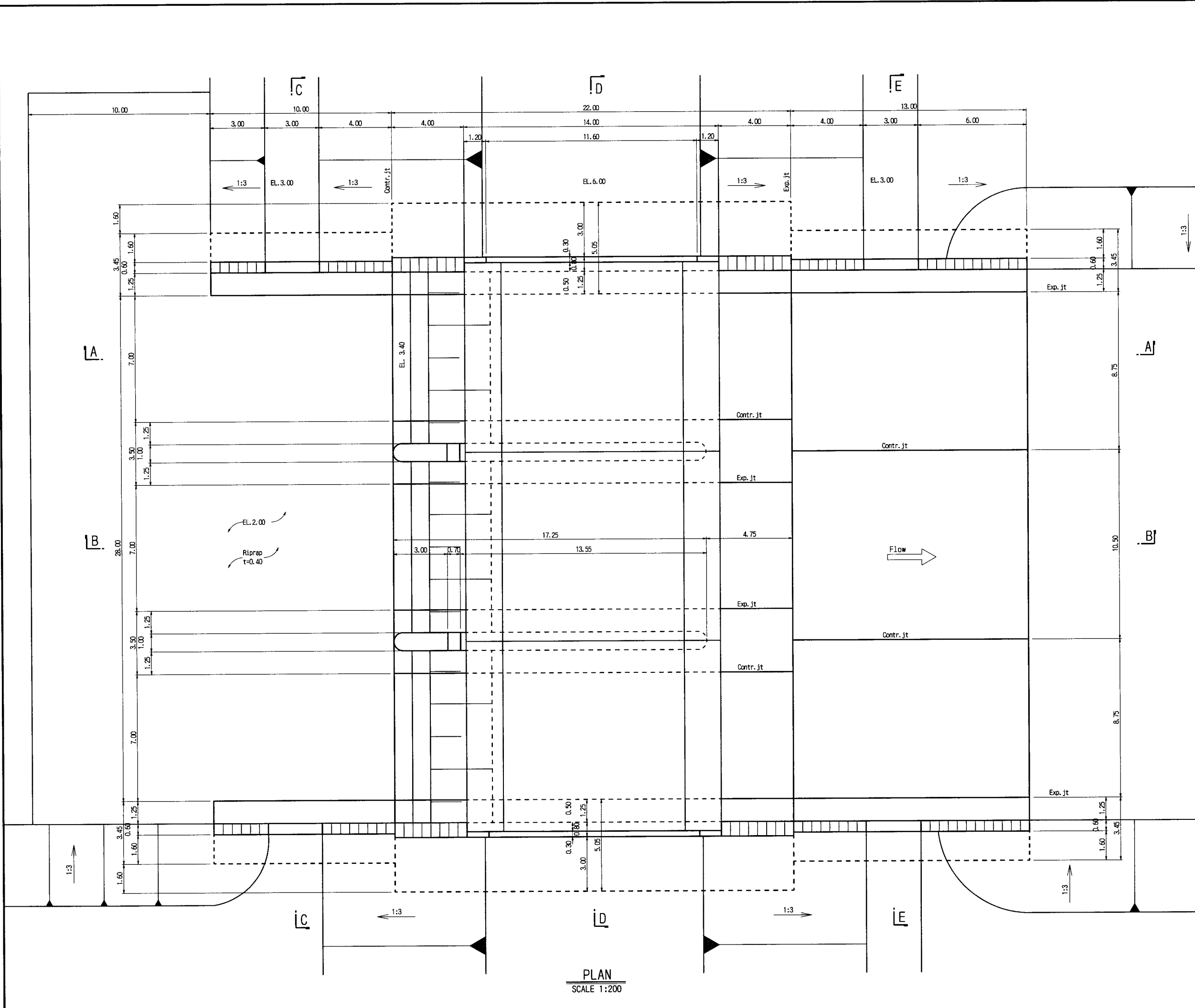
JAPAN INTERNATIONAL COOPERATION AGENCY (JICA)
SANYU CONSULTANTS INC, PACIFIC CONSULTANTS INTERNATIONAL

DESIGNED	
TRACED	
CHECKED	
APPROVED	
DRAWING NO.	SPW-134

NOTES:



- 2. For sections A-A and B-B, see Dwg.No.SPW-131
- 3. For sections C-C to E-E, see Dwg.No.SPW-132



THE ARAB REPUBLIC OF EGYPT
MINISTRY OF WATER RESOURCES AND IRRIGATION
NORTH SINAI DEVELOPMENT ORGANIZATION

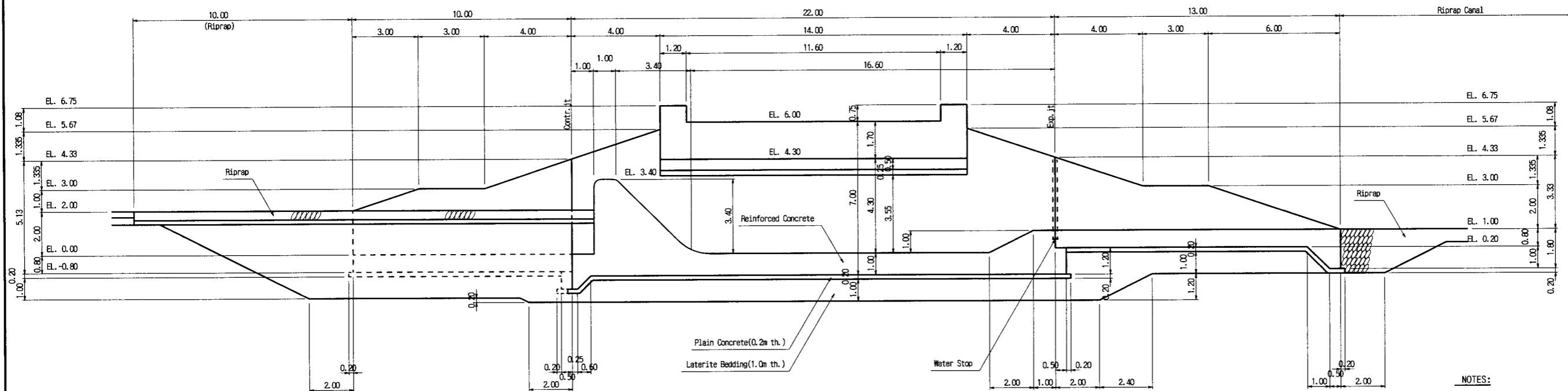
THE NORTH SINAI INTEGRATED RURAL
DEVELOPMENT PROJECT (PHASE III)

CONVEYANCE SYSTEM OF EL SHEIKH GABER EL SABBAAH CANAL
BETWEEN KM 86.500 AND KM 108.466

EMERGENCY SPILLWAY
PLAN

JAPAN INTERNATIONAL COOPERATION AGENCY (JICA)
SANYU CONSULTANTS INC, PACIFIC CONSULTANTS INTERNATIONAL

DESIGNED	
TRACED	
CHECKED	
APPROVED	
DRAWING NO.	SPW-135



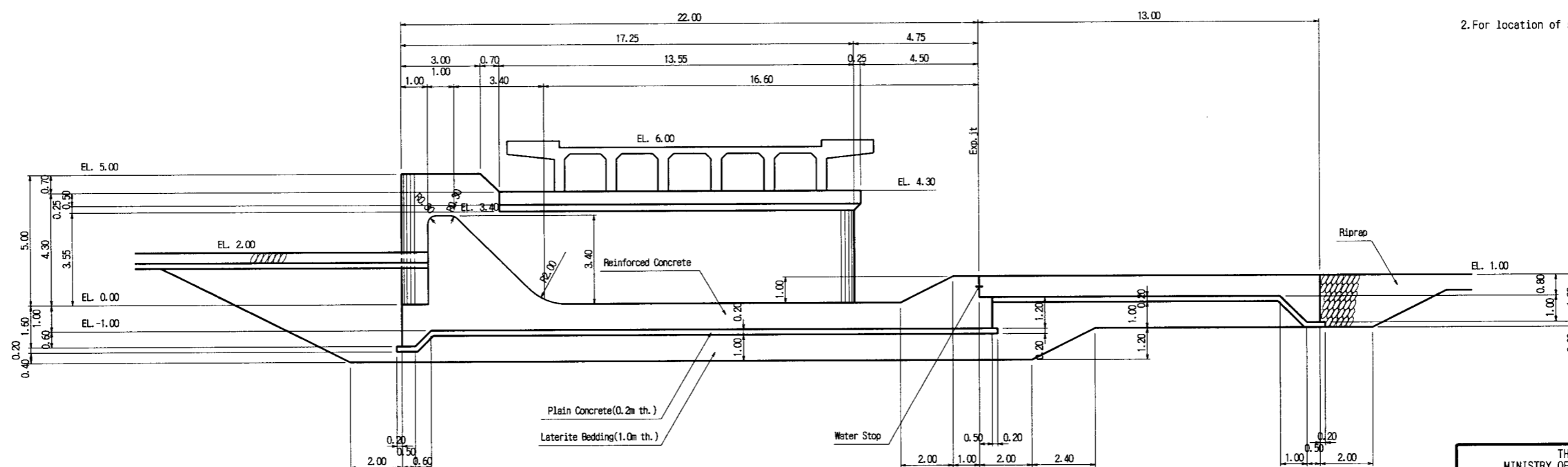
SECTION A-A
SCALE 1:200

NOTES:

1. Scale:

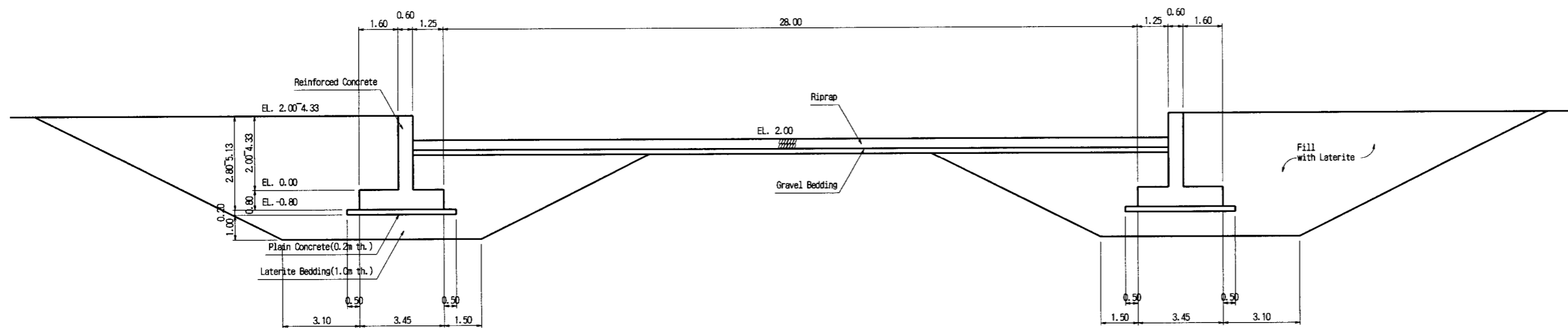


2. For location of sections A-A to B-B, see Dwg. No. SPW-130.



SECTION B-B
SCALE 1:200

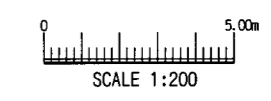
THE ARAB REPUBLIC OF EGYPT MINISTRY OF WATER RESOURCES AND IRRIGATION NORTH SINAI DEVELOPMENT ORGANIZATION	
THE NORTH SINAI INTEGRATED RURAL DEVELOPMENT PROJECT (PHASE III)	
CONVEYANCE SYSTEM OF EL SHEIKH GABER EL SABBABH CANAL BETWEEN KM 86.500 AND KM 108.466	
EMERGENCY SPILLWAY SECTIONS (1/2)	
JAPAN INTERNATIONAL COOPERATION AGENCY (JICA) SANYU CONSULTANTS INC, PACIFIC CONSULTANTS INTERNATIONAL	
DESIGNED	
TRACED	
CHECKED	
APPROVED	
DRAWING NO.	SPW-136



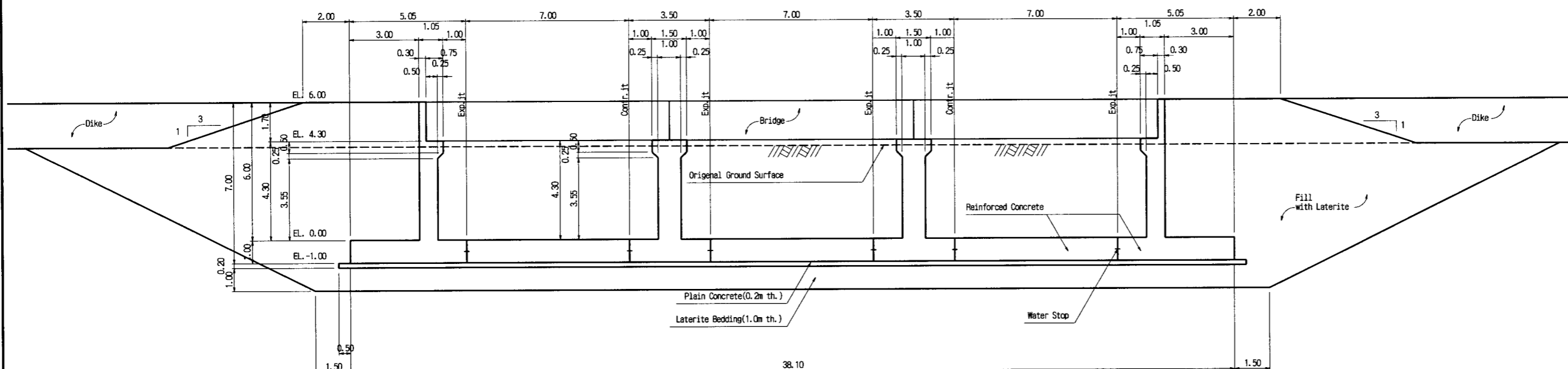
SECTION C-C
SCALE 1:200

NOTES:

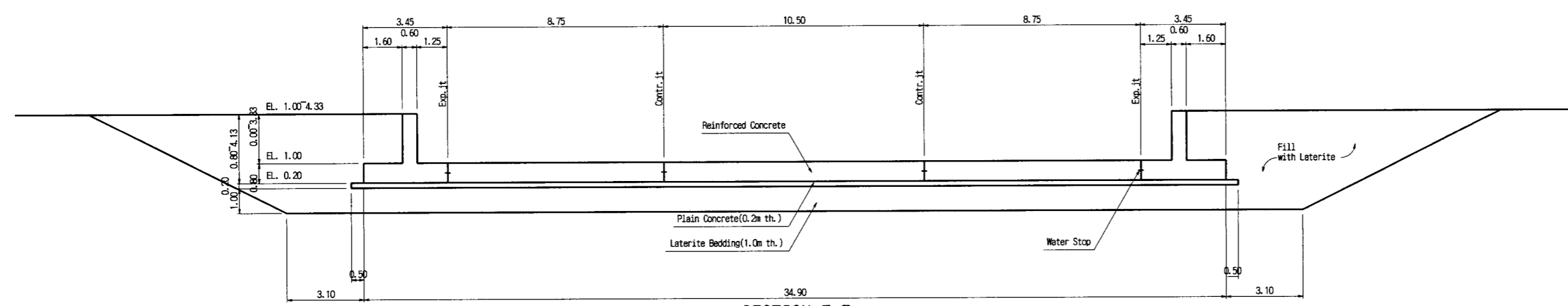
1. Scale:



2. For location of sections C-C to E-E, see Dwg. No. SPW-130.

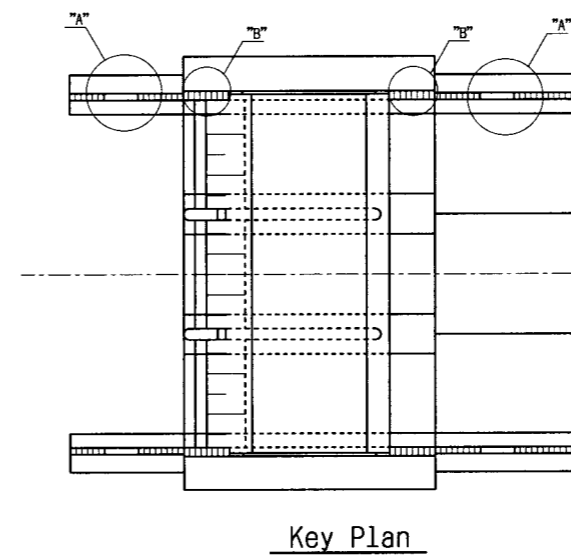
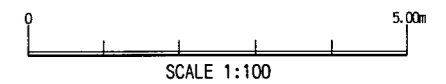
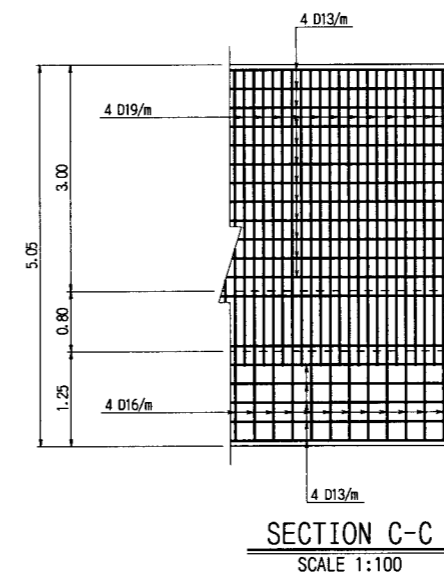
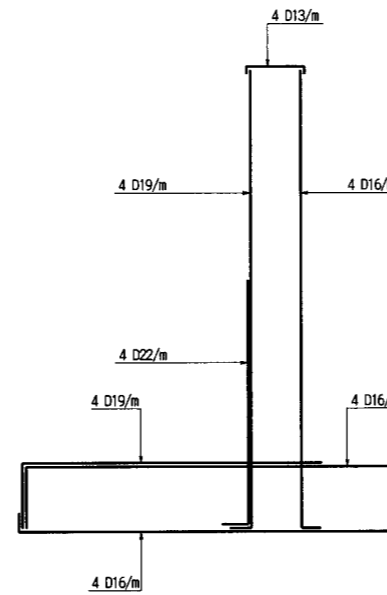
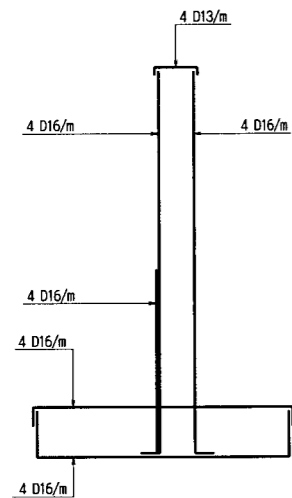
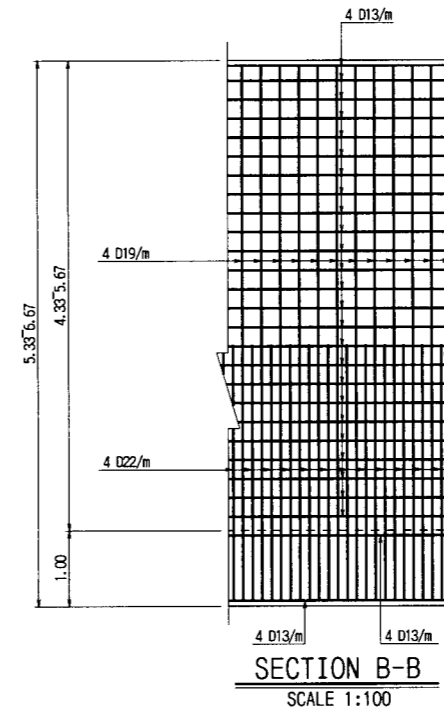
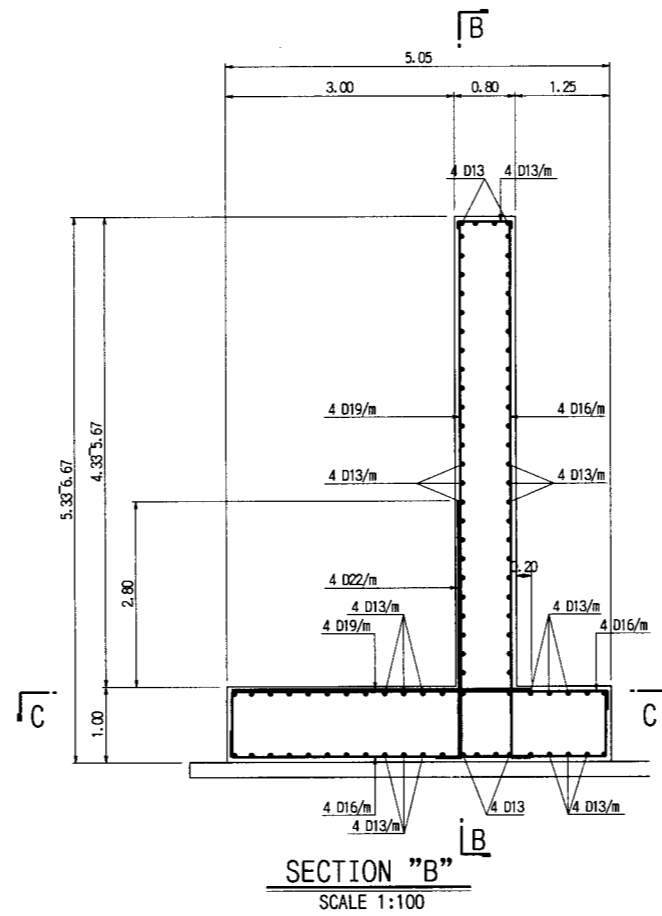
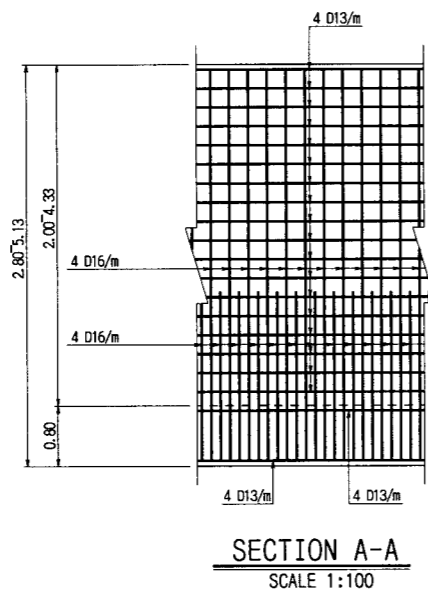
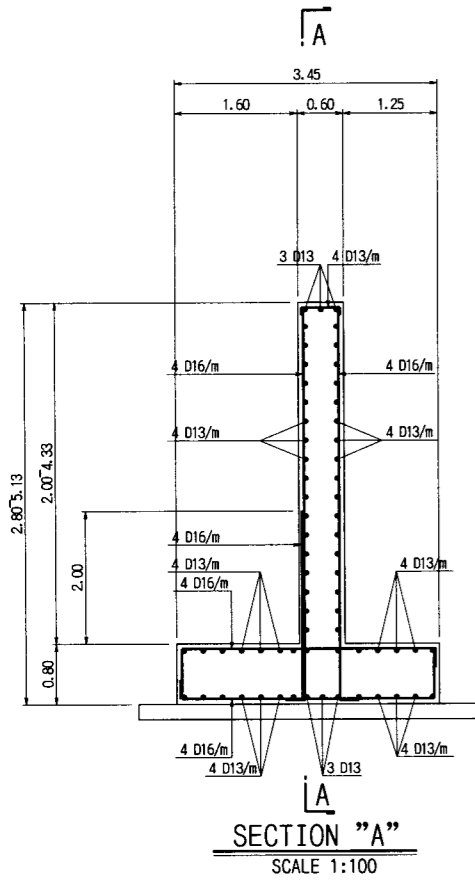


SECTION D-D
SCALE 1:200



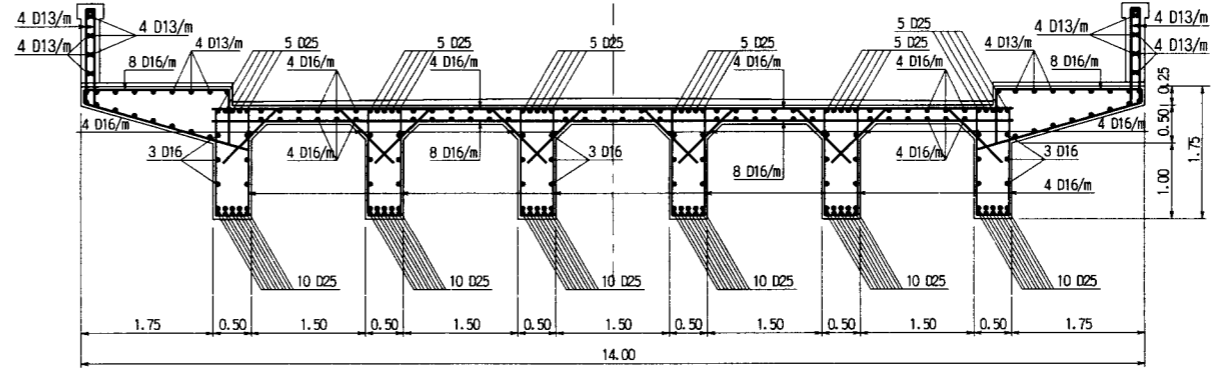
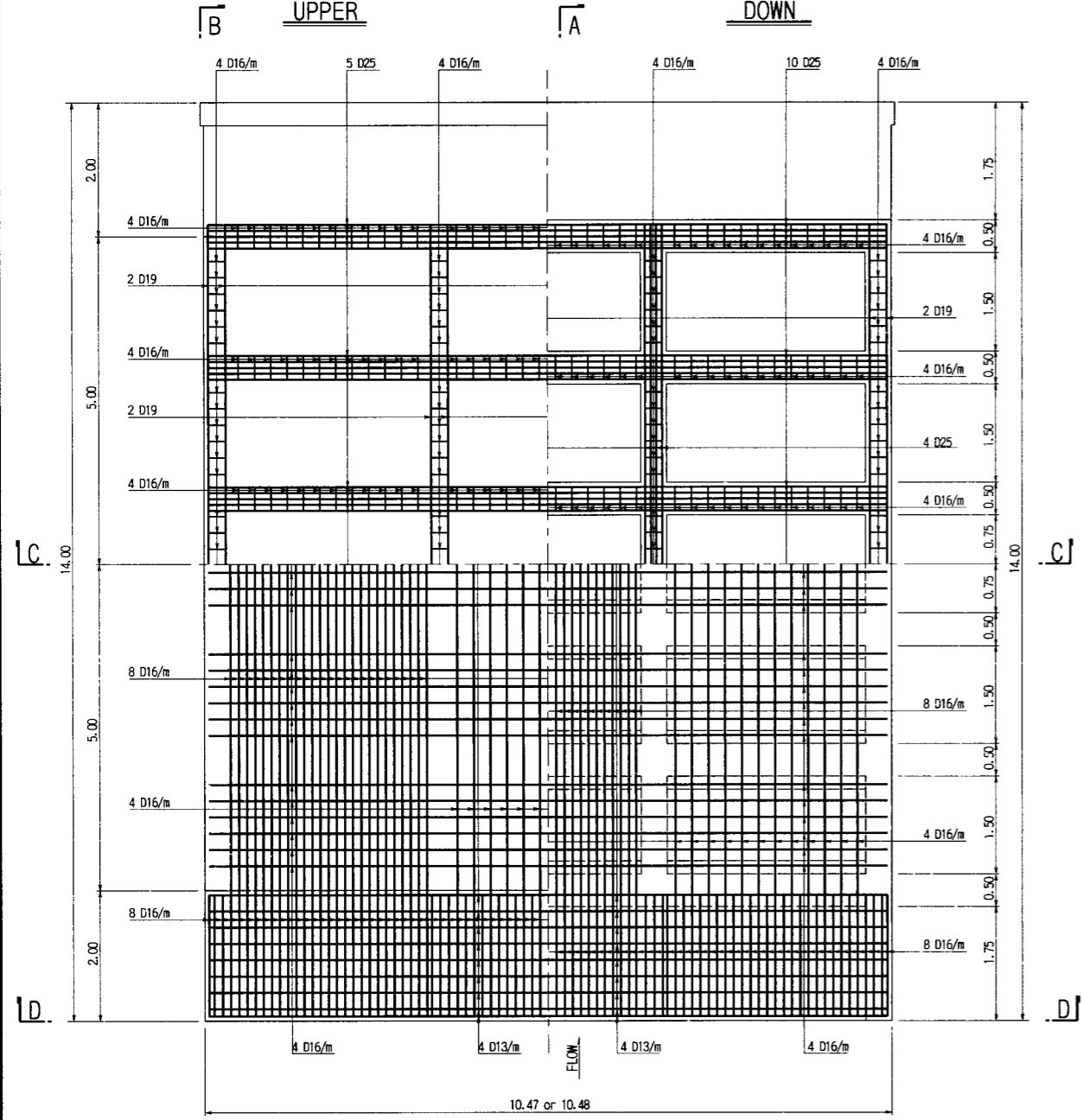
SECTION E-E
SCALE 1:200

THE ARAB REPUBLIC OF EGYPT MINISTRY OF WATER RESOURCES AND IRRIGATION NORTH SINAI DEVELOPMENT ORGANIZATION	
THE NORTH SINAI INTEGRATED RURAL DEVELOPMENT PROJECT (PHASE III)	
CONVEYANCE SYSTEM OF EL SHEIKH GABER EL SABBABH CANAL BETWEEN KM 86.500 AND KM 108.466	
EMERGENCY SPILLWAY SECTIONS (2/2)	
JAPAN INTERNATIONAL COOPERATION AGENCY (JICA) SANYU CONSULTANTS INC, PACIFIC CONSULTANTS INTERNATIONAL	
DESIGNED	
TRACED	
CHECKED	
APPROVED	
DRAWING NO.	SPW-137

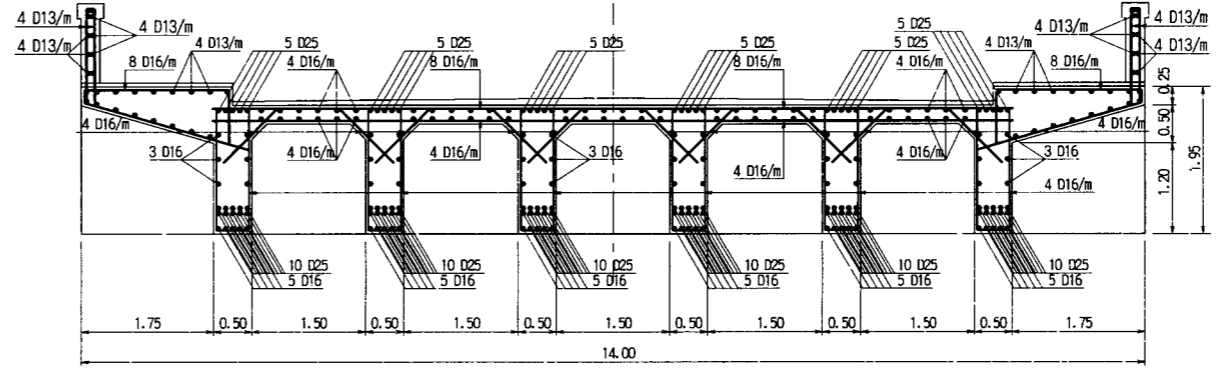


THE ARAB REPUBLIC OF EGYPT MINISTRY OF WATER RESOURCES AND IRRIGATION NORTH SINAI DEVELOPMENT ORGANIZATION	
THE NORTH SINAI INTEGRATED RURAL DEVELOPMENT PROJECT (PHASE III)	
CONVEYANCE SYSTEM OF EL SHEIKH GABER EL SABBABH CANAL BETWEEN KM 86.500 AND KM 108.466	
EMERGENCY SPILLWAY REINFORCEMENTS (1/2)	
JAPAN INTERNATIONAL COOPERATION AGENCY (JICA) SANYU CONSULTANTS INC, PACIFIC CONSULTANTS INTERNATIONAL	
DESIGNED	
TRACED	
CHECKED	
APPROVED	
DRAWING NO.	SPW-138

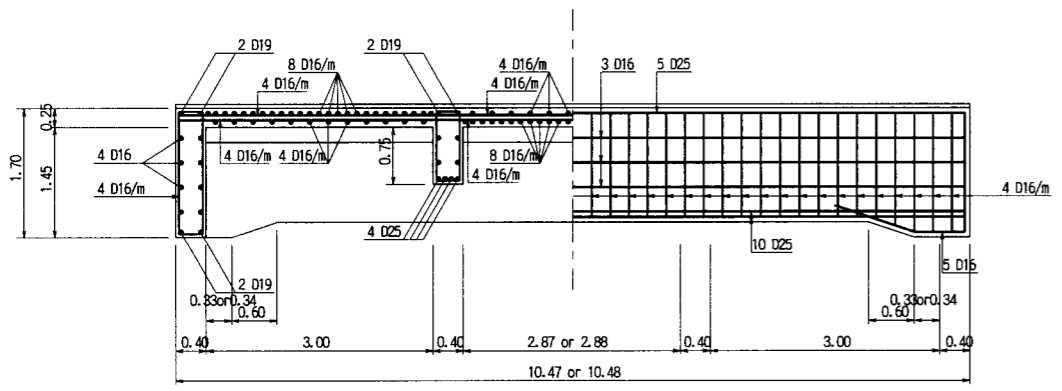
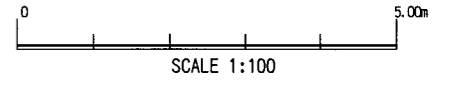
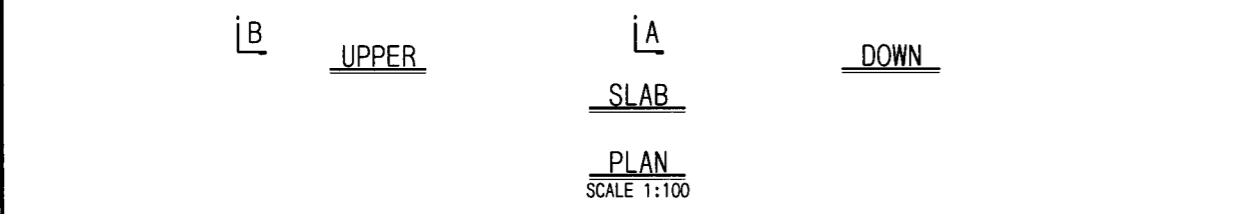
GIRDER AND BEAM



SECTION A-A
SCALE 1:100



SECTION B-B
SCALE 1:100



SECTION C-C
SCALE 1:100

SECTION D-D
SCALE 1:100

THE ARAB REPUBLIC OF EGYPT MINISTRY OF WATER RESOURCES AND IRRIGATION NORTH SINAI DEVELOPMENT ORGANIZATION	
THE NORTH SINAI INTEGRATED RURAL DEVELOPMENT PROJECT (PHASE III)	
CONVEYANCE SYSTEM OF EL SHEIKH GABER EL SABBABH CANAL BETWEEN KM 86.500 AND KM 108.466	
BRIDGE DECK REINFORCEMENTS	
JAPAN INTERNATIONAL COOPERATION AGENCY (JICA) SANYU CONSULTANTS INC, PACIFIC CONSULTANTS INTERNATIONAL	
DESIGNED	
TRACED	
CHECKED	
APPROVED	
DRAWING NO.	SPW-141