

FACILITIES OF SPILLWAY SYSTEM

FACILITIES	SPECIFICATIONS	REMARKS
1) SPILLWAY	L = 100 m	
a) OVERFLOW CREST	L = 9.5 m x 4	
b) GATED SECTIONS	4.0 m (Width) x 4.5 m (Height) x 2 Sections	RADIAL GATES
2) SPILLWAY OUTLET CHANNEL	L = 2,100 m	
a) DISCHARGE CANAL	L = 1,000 m	
b) CHUTE AND STILLING BASIN	L = 61 m	
c) RIPRAP CANAL	L = 809 m	
d) EXCAVATED UNLINED CANAL	L = 230 m	
3) DIKE AND EMERGENCY SPILLWAY		
a) DIKE	L = 1,522.37m + 200m	
b) EMERGENCY SPILLWAY		
- OVERFLOW CREST	L = 9.5 m x 3	

THE ARAB REPUBLIC OF EGYPT
 MINISTRY OF WATER RESOURCES AND IRRIGATION
 NORTH SINAI DEVELOPMENT ORGANIZATION

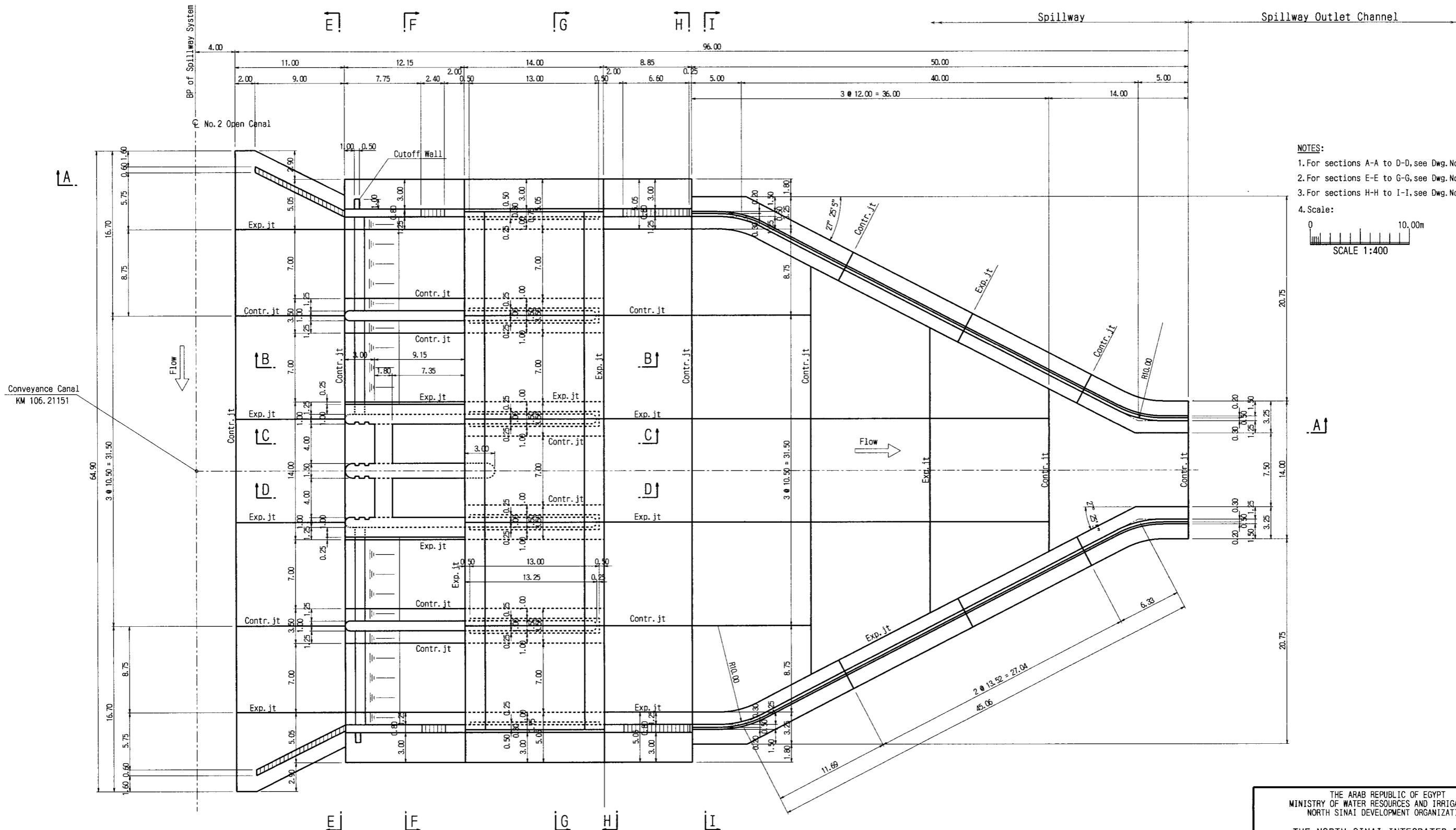
THE NORTH SINAI INTEGRATED RURAL
 DEVELOPMENT PROJECT (PHASE III)

CONVEYANCE SYSTEM OF EL SHEIKH GABER EL SABBAN CANAL
 BETWEEN KM 86.500 AND KM 108.466

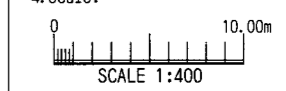
SPILLWAY SYSTEM
 GENERAL PLAN

JAPAN INTERNATIONAL COOPERATION AGENCY (JICA)
 SANYU CONSULTANTS INC, PACIFIC CONSULTANTS INTERNATIONAL

DESIGNED	
TRACED	
CHECKED	
APPROVED	
DRAWING NO.	SPW-101



- NOTES:**
1. For sections A-A to D-D, see Dwg. No. SPW-103.
 2. For sections E-E to G-G, see Dwg. No. SPW-104.
 3. For sections H-H to I-I, see Dwg. No. SPW-105.



The waterstops shall be installed in all contraction and expansion joints. Unless otherwise shown on the drawings or directed by the Employer, the waterstops shall not be installed in contraction joints.

PLAN OF SPILLWAY
SCALE 1:400

THE ARAB REPUBLIC OF EGYPT
MINISTRY OF WATER RESOURCES AND IRRIGATION
NORTH SINAI DEVELOPMENT ORGANIZATION

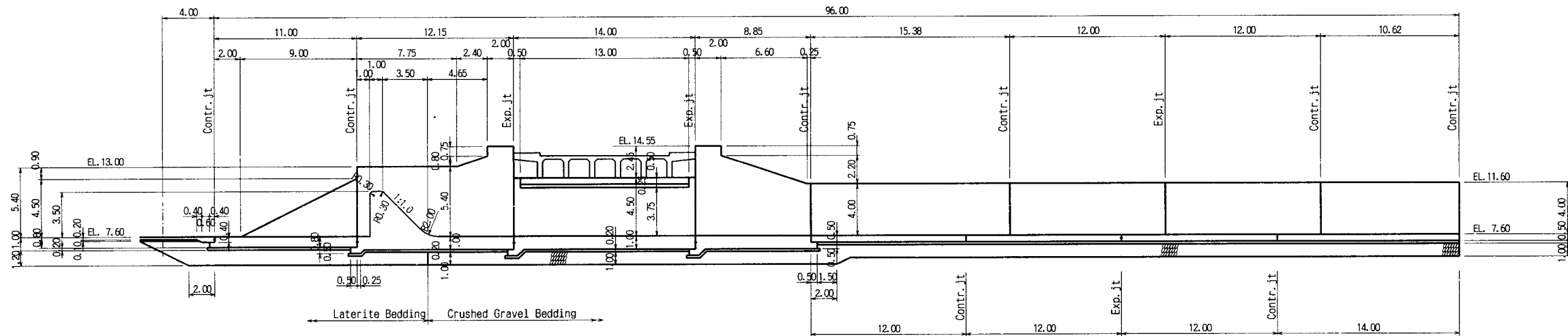
THE NORTH SINAI INTEGRATED RURAL DEVELOPMENT PROJECT (PHASE III)

CONVEYANCE SYSTEM OF EL SHEIKH GABER EL SABBABH CANAL
BETWEEN KM 86.500 AND KM 108.466

SPILLWAY PLAN

JAPAN INTERNATIONAL COOPERATION AGENCY (JICA)
SANYU CONSULTANTS INC, PACIFIC CONSULTANTS INTERNATIONAL

DESIGNED	
TRACED	
CHECKED	
APPROVED	
DRAWING NO.	SPW-102



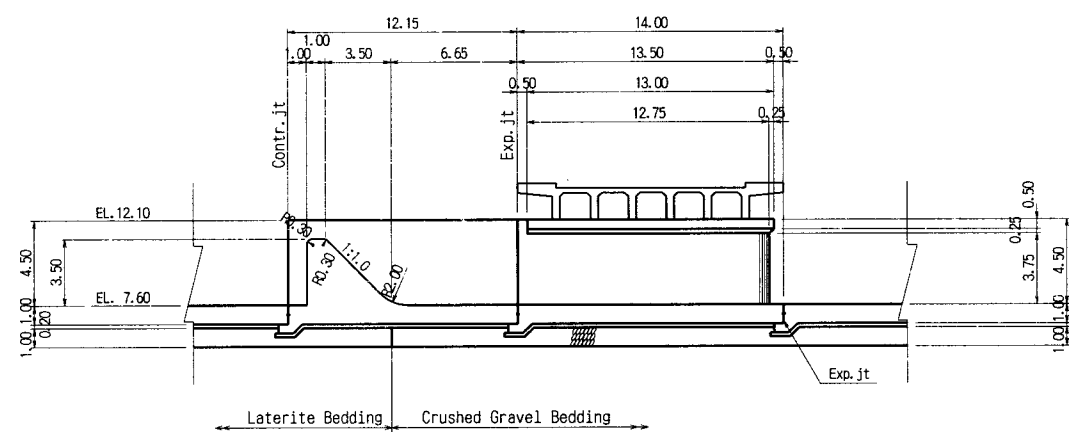
SECTION A-A
SCALE 1:400

NOTES:

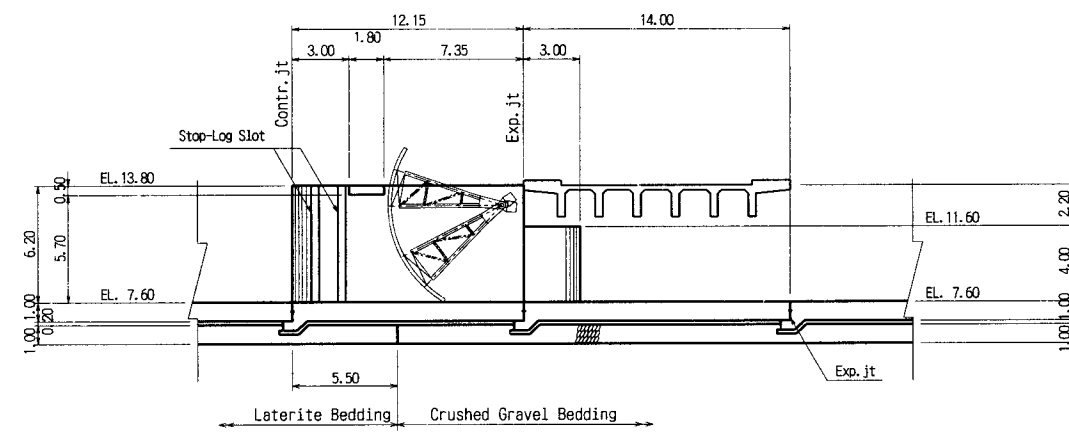
1. Scale:



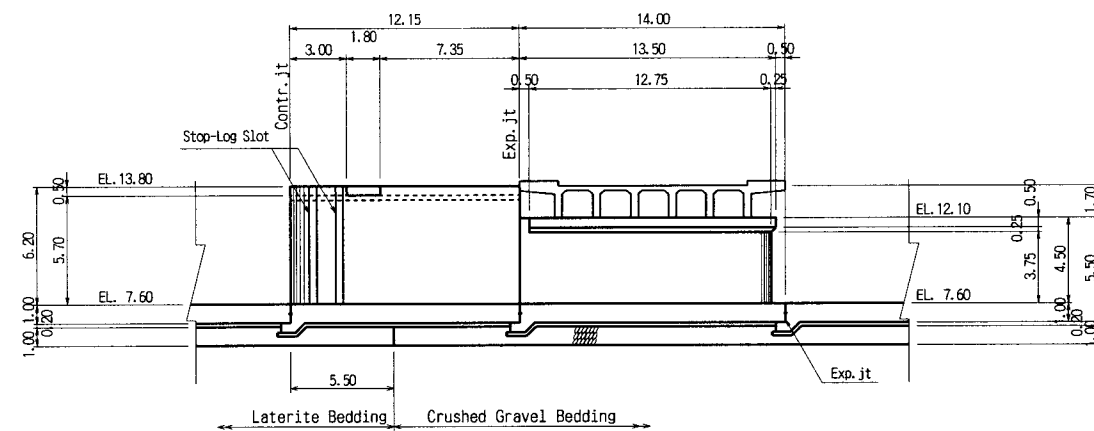
2. For location of sections A-A to D-D, see Dwg. NO. SPW-102.



SECTION B-B
SCALE 1:400

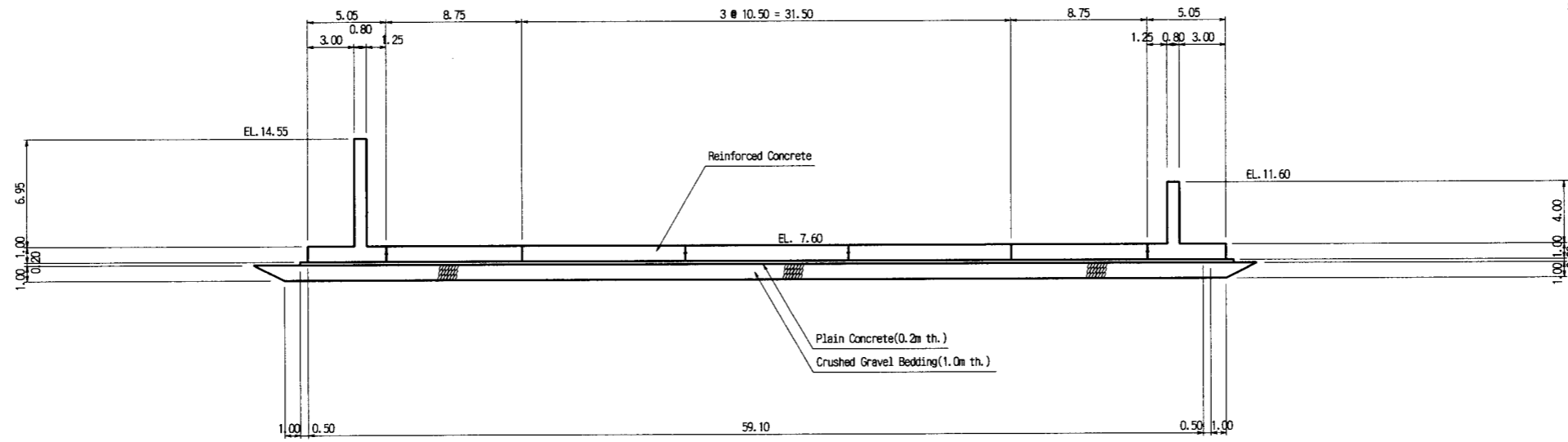


SECTION D-D
SCALE 1:400

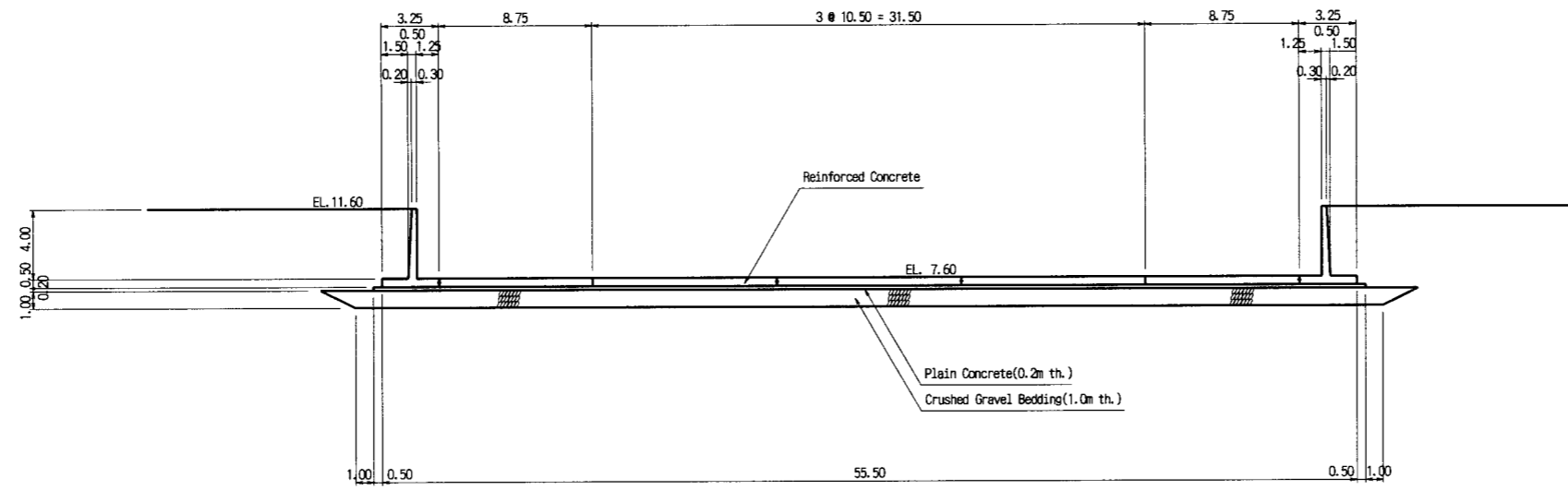


SECTION C-C
SCALE 1:400

THE ARAB REPUBLIC OF EGYPT MINISTRY OF WATER RESOURCES AND IRRIGATION NORTH SINAI DEVELOPMENT ORGANIZATION	
THE NORTH SINAI INTEGRATED RURAL DEVELOPMENT PROJECT (PHASE III)	
CONVEYANCE SYSTEM OF EL SHEIKH GABER EL SABBAAH CANAL BETWEEN KM 86.500 AND KM 108.466	
SPILLWAY SECTIONS (1/3)	
JAPAN INTERNATIONAL COOPERATION AGENCY (JICA) SANYU CONSULTANTS INC, PACIFIC CONSULTANTS INTERNATIONAL	
DESIGNED	
TRACED	
CHECKED	
APPROVED	
DRAWING NO.	SPW-103



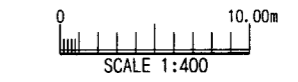
SECTION H-H
SCALE 1:400



SECTION I-I
SCALE 1:400

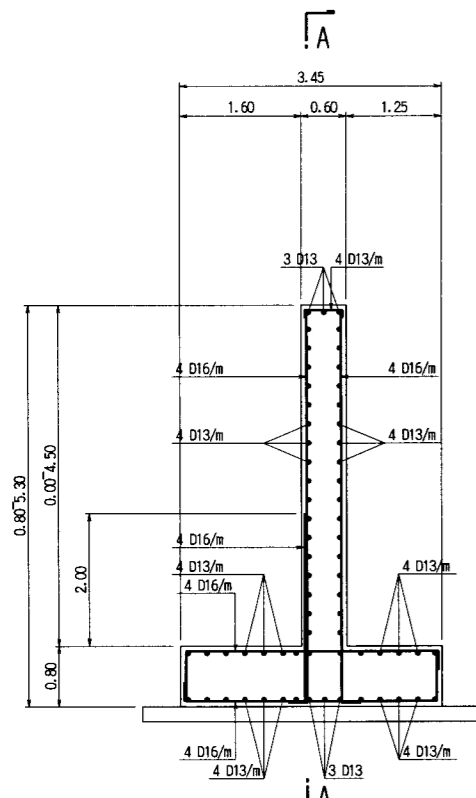
NOTES:

1. Scale:

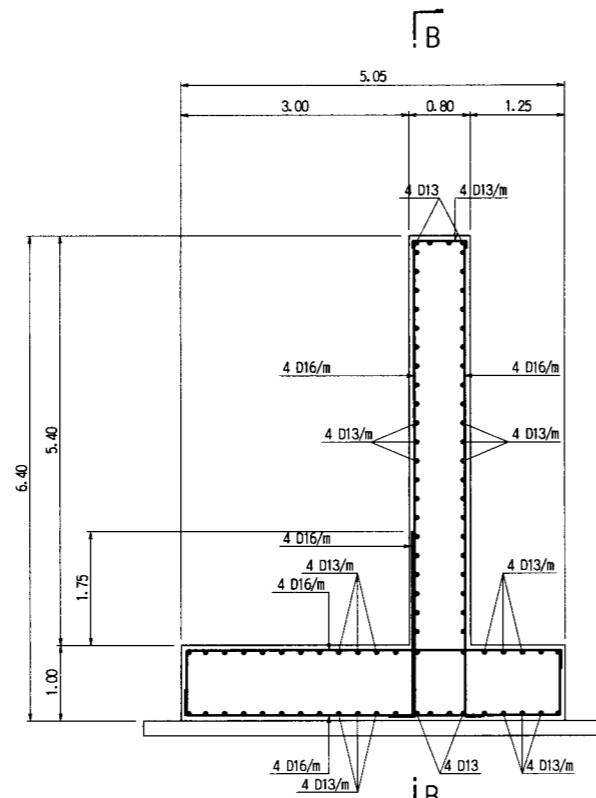


2. For location of sections H-H to I-I, see Dwg. NO. SPW-102.

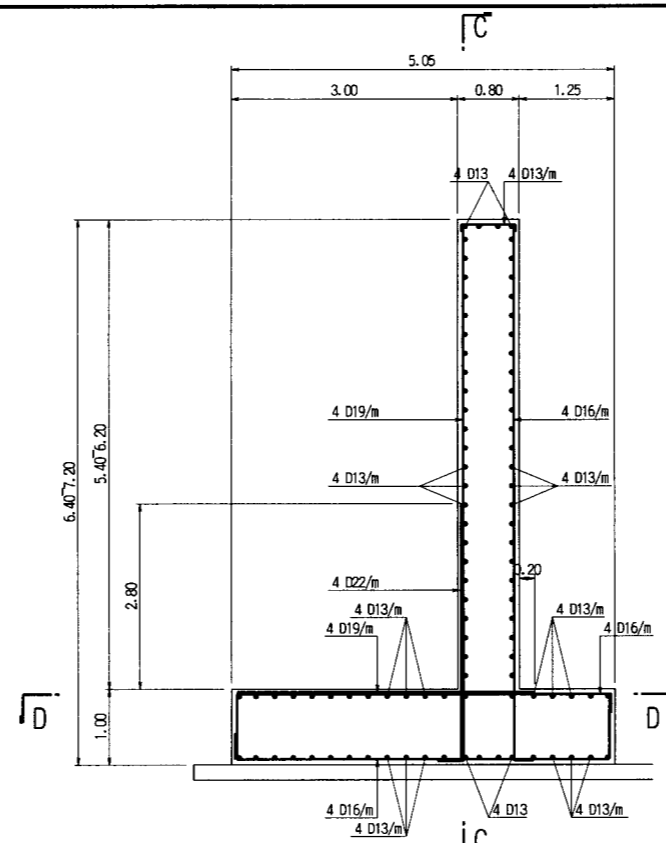
THE ARAB REPUBLIC OF EGYPT MINISTRY OF WATER RESOURCES AND IRRIGATION NORTH SINAI DEVELOPMENT ORGANIZATION	
THE NORTH SINAI INTEGRATED RURAL DEVELOPMENT PROJECT (PHASE III)	
CONVEYANCE SYSTEM OF EL SHEIKH GABER EL SABBABH CANAL BETWEEN KM 86.500 AND KM 108.466	
SPILLWAY SECTIONS (3/3)	
JAPAN INTERNATIONAL COOPERATION AGENCY (JICA) SANYU CONSULTANTS INC, PACIFIC CONSULTANTS INTERNATIONAL	
DESIGNED	
TRACED	
CHECKED	
APPROVED	
DRAWING NO.	SPW-105



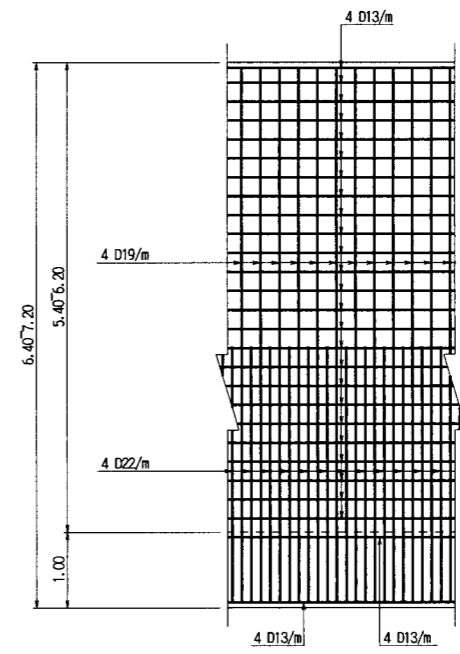
SECTION "A"
SCALE 1:100



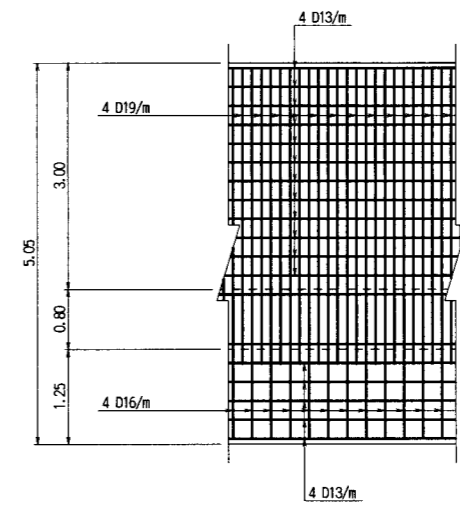
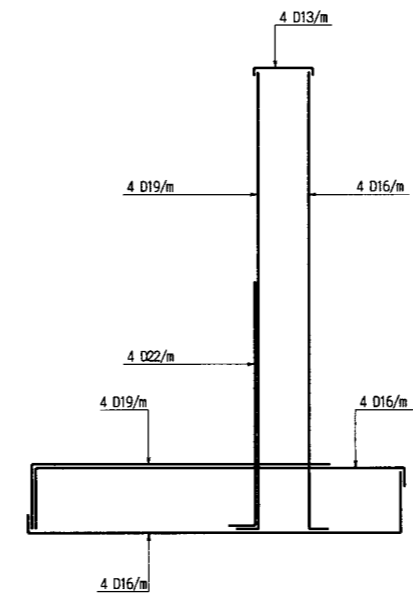
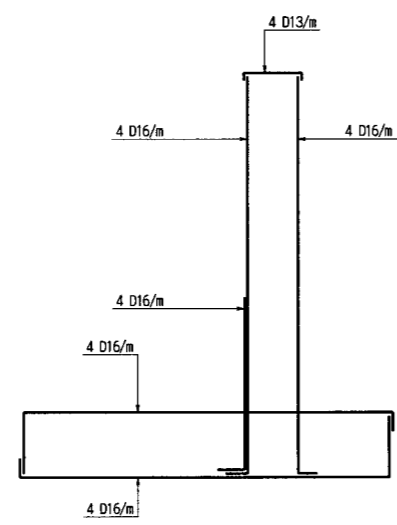
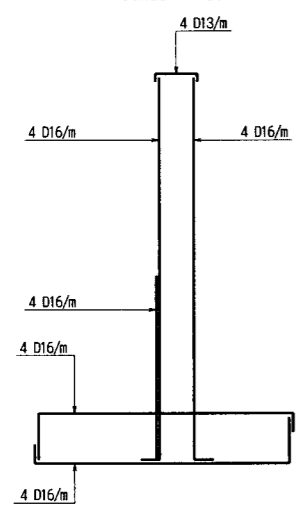
SECTION "B"
SCALE 1:100



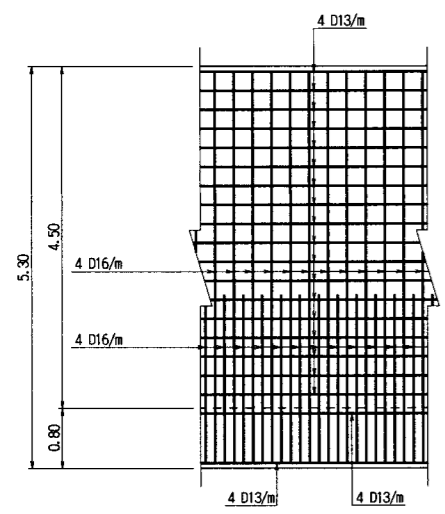
SECTION "C"
SCALE 1:100



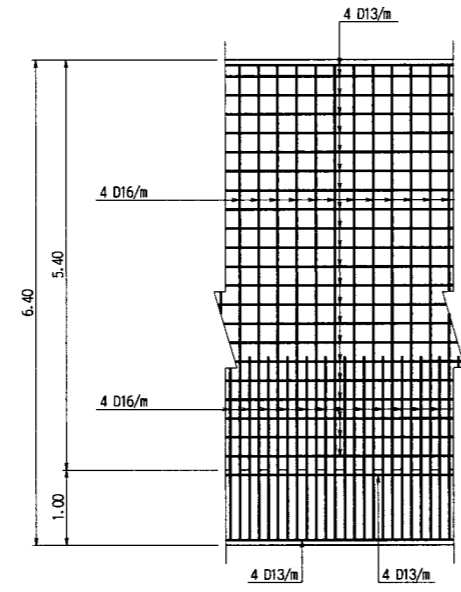
SECTION C-C
SCALE 1:100



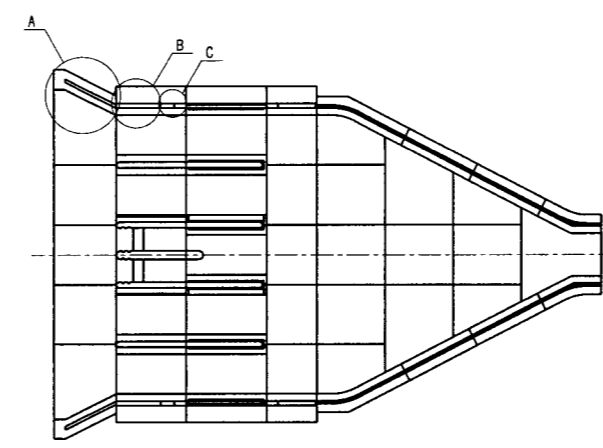
SECTION D-D
SCALE 1:100



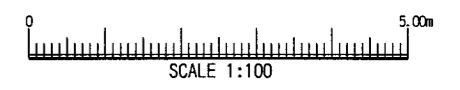
SECTION A-A
SCALE 1:100



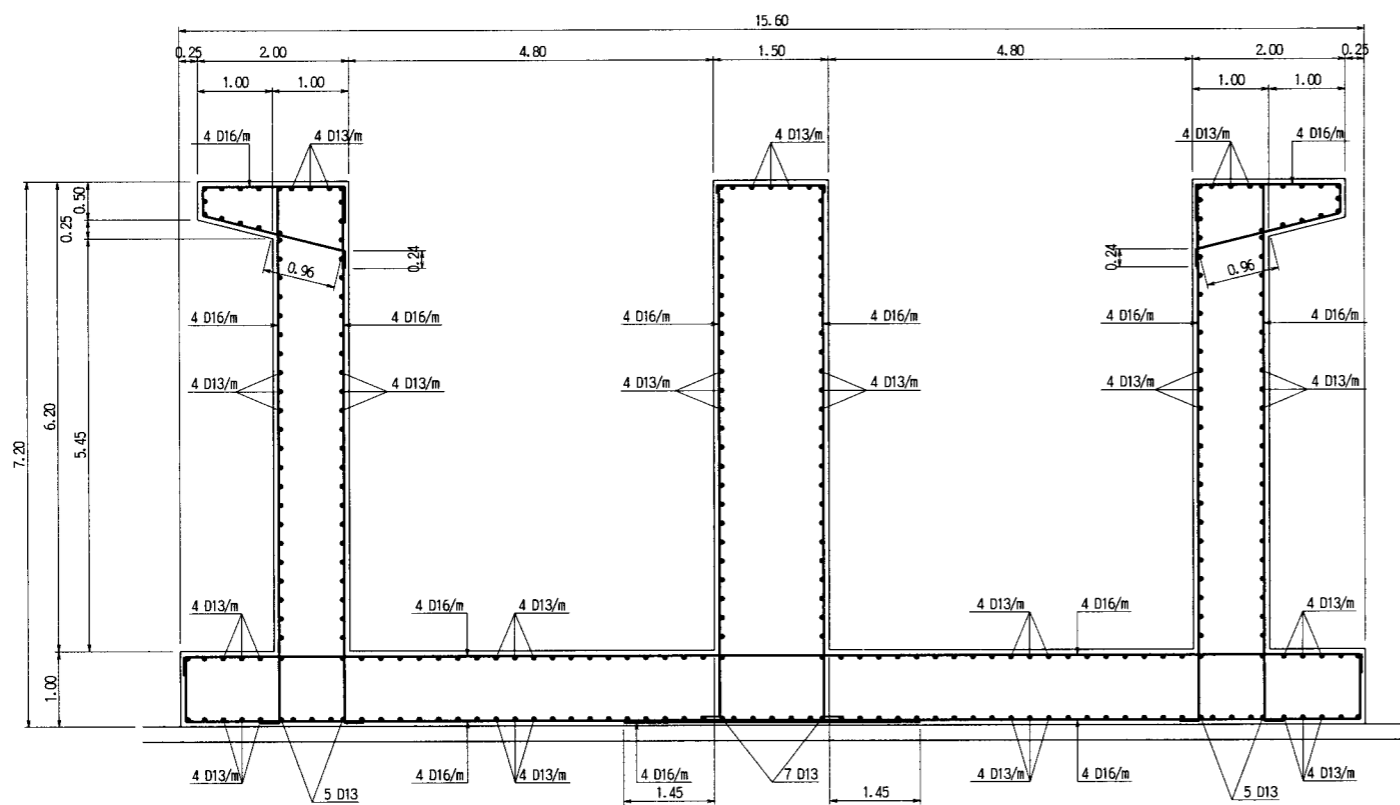
SECTION B-B
SCALE 1:100



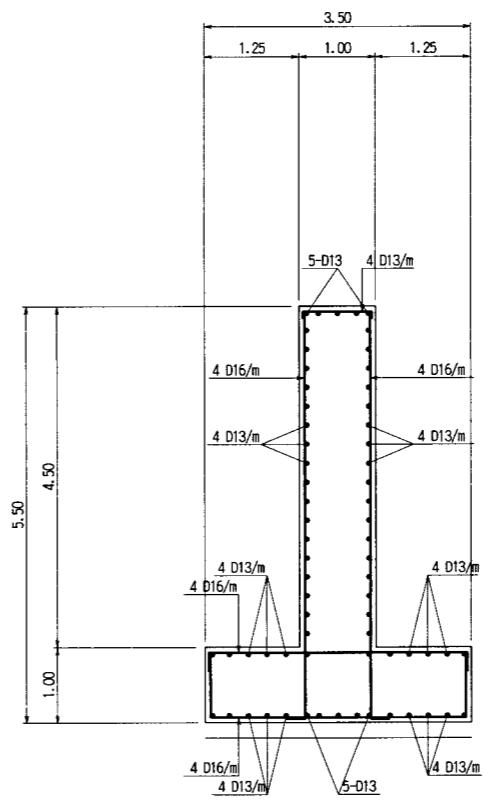
Key Plan



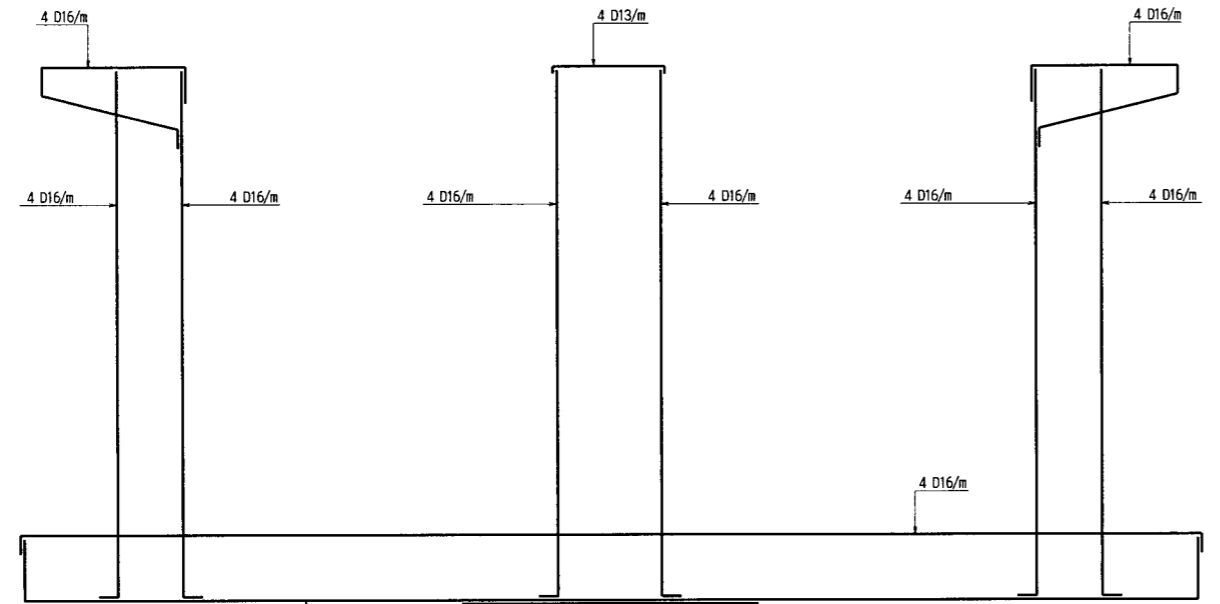
THE ARAB REPUBLIC OF EGYPT MINISTRY OF WATER RESOURCES AND IRRIGATION NORTH SINAI DEVELOPMENT ORGANIZATION	
THE NORTH SINAI INTEGRATED RURAL DEVELOPMENT PROJECT (PHASE III)	
CONVEYANCE SYSTEM OF EL SHEIKH GABER EL SABBABH CANAL BETWEEN KM 86.500 AND KM 108.466	
SPILLWAY REINFORCEMENTS (1/3)	
JAPAN INTERNATIONAL COOPERATION AGENCY (JICA) SANYU CONSULTANTS INC, PACIFIC CONSULTANTS INTERNATIONAL	
DESIGNED	
TRACED	
CHECKED	
APPROVED	
DRAWING NO.	SPW-106



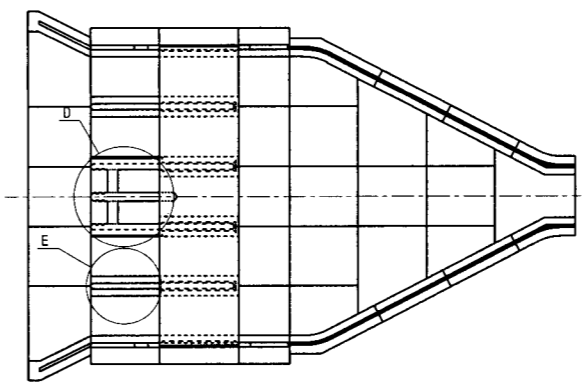
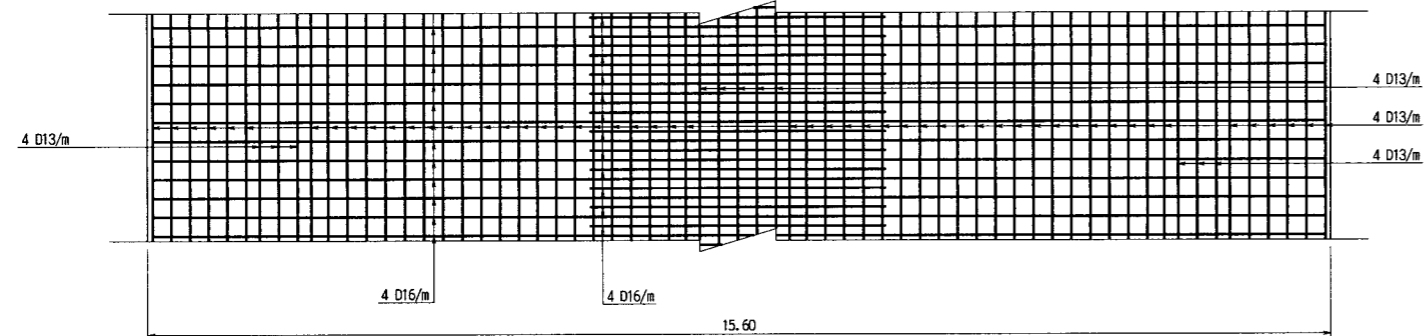
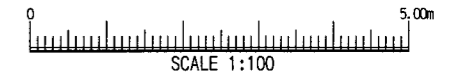
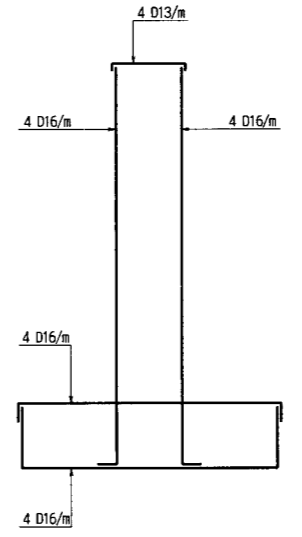
SECTION "D"
SCALE 1:100



SECTION "E"
SCALE 1:100

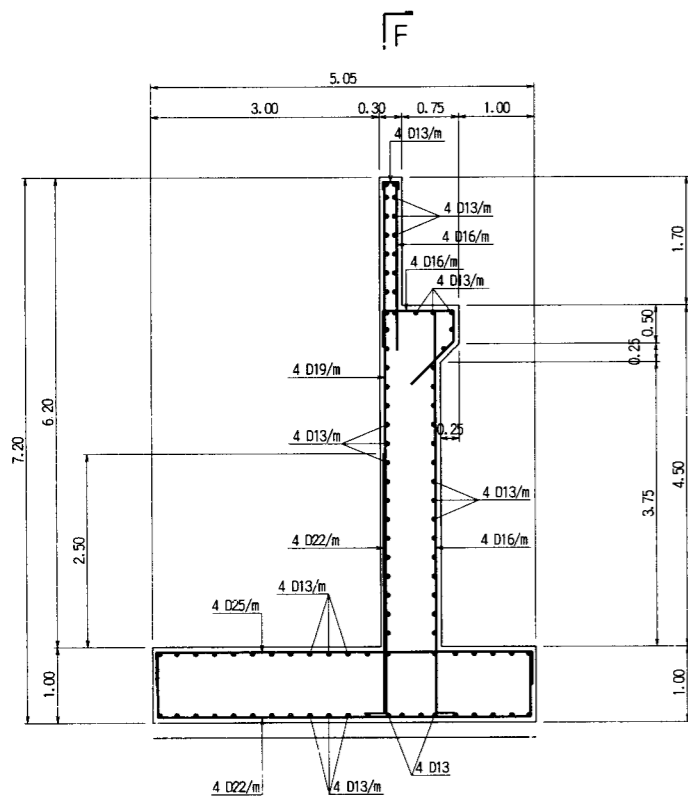


SECTION E-E
SCALE 1:100

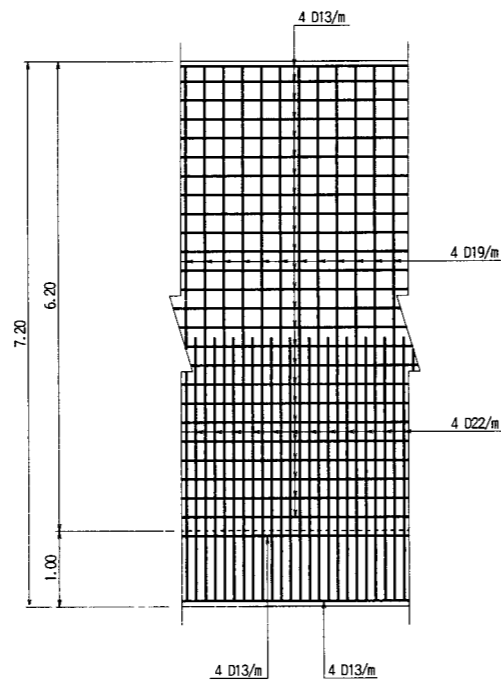


Key Plan

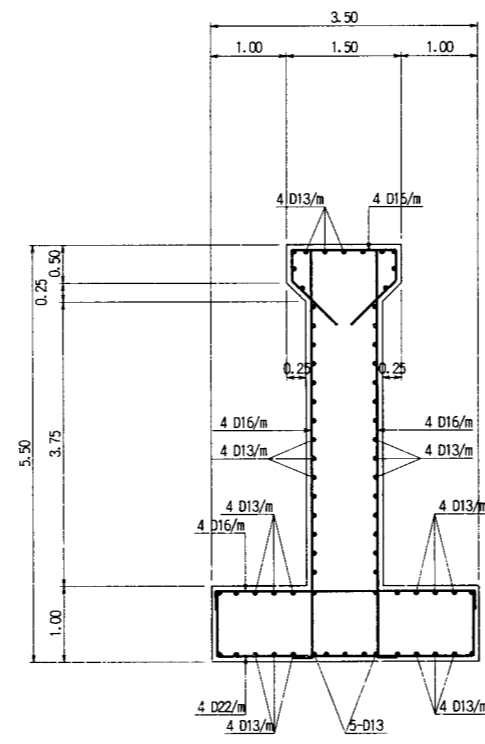
THE ARAB REPUBLIC OF EGYPT MINISTRY OF WATER RESOURCES AND IRRIGATION NORTH SINAI DEVELOPMENT ORGANIZATION	
THE NORTH SINAI INTEGRATED RURAL DEVELOPMENT PROJECT (PHASE III)	
CONVEYANCE SYSTEM OF EL SHEIKH GABER EL SABBABH CANAL BETWEEN KM 86.500 AND KM 108.466	
SPILLWAY REINFORCEMENTS (2/3)	
JAPAN INTERNATIONAL COOPERATION AGENCY(JICA) SANYU CONSULTANTS INC, PACIFIC CONSULTANTS INTERNATIONAL	
DESIGNED	
TRACED	
CHECKED	
APPROVED	
DRAWING NO.	SPW-107



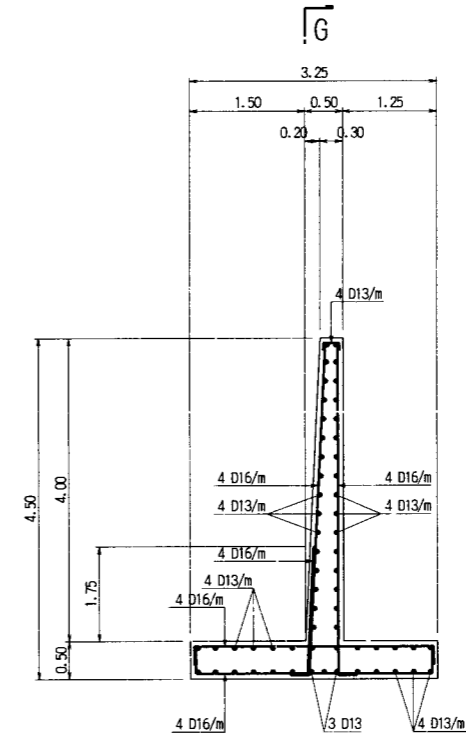
SECTION "F"
SCALE 1:100



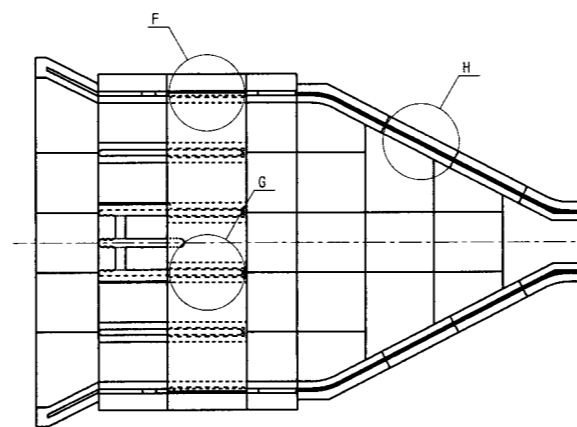
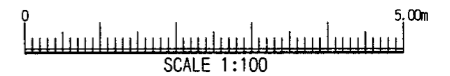
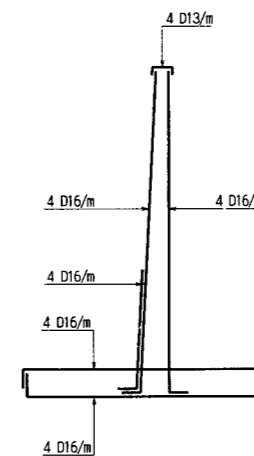
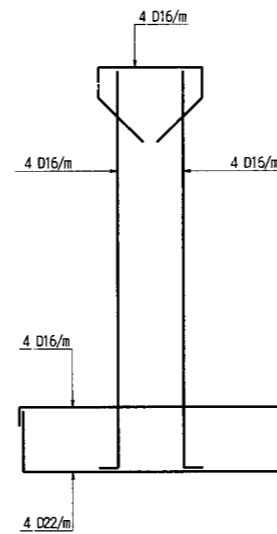
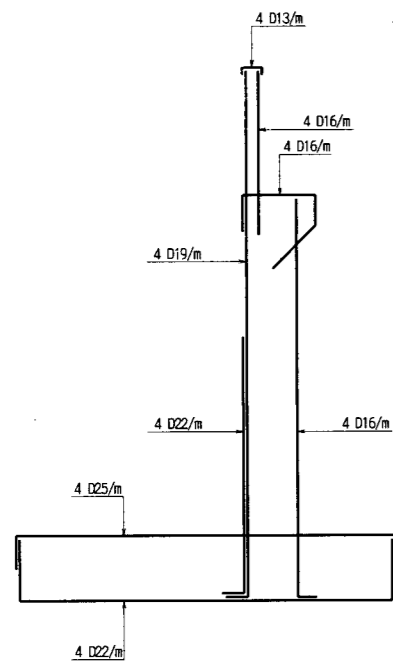
SECTION F-F
SCALE 1:100



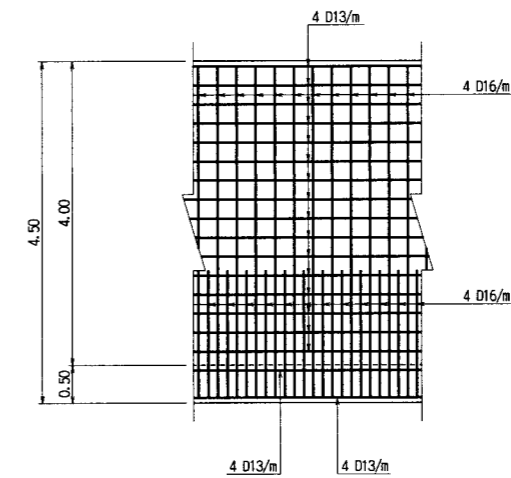
SECTION "G"
SCALE 1:100



SECTION "H"
SCALE 1:100

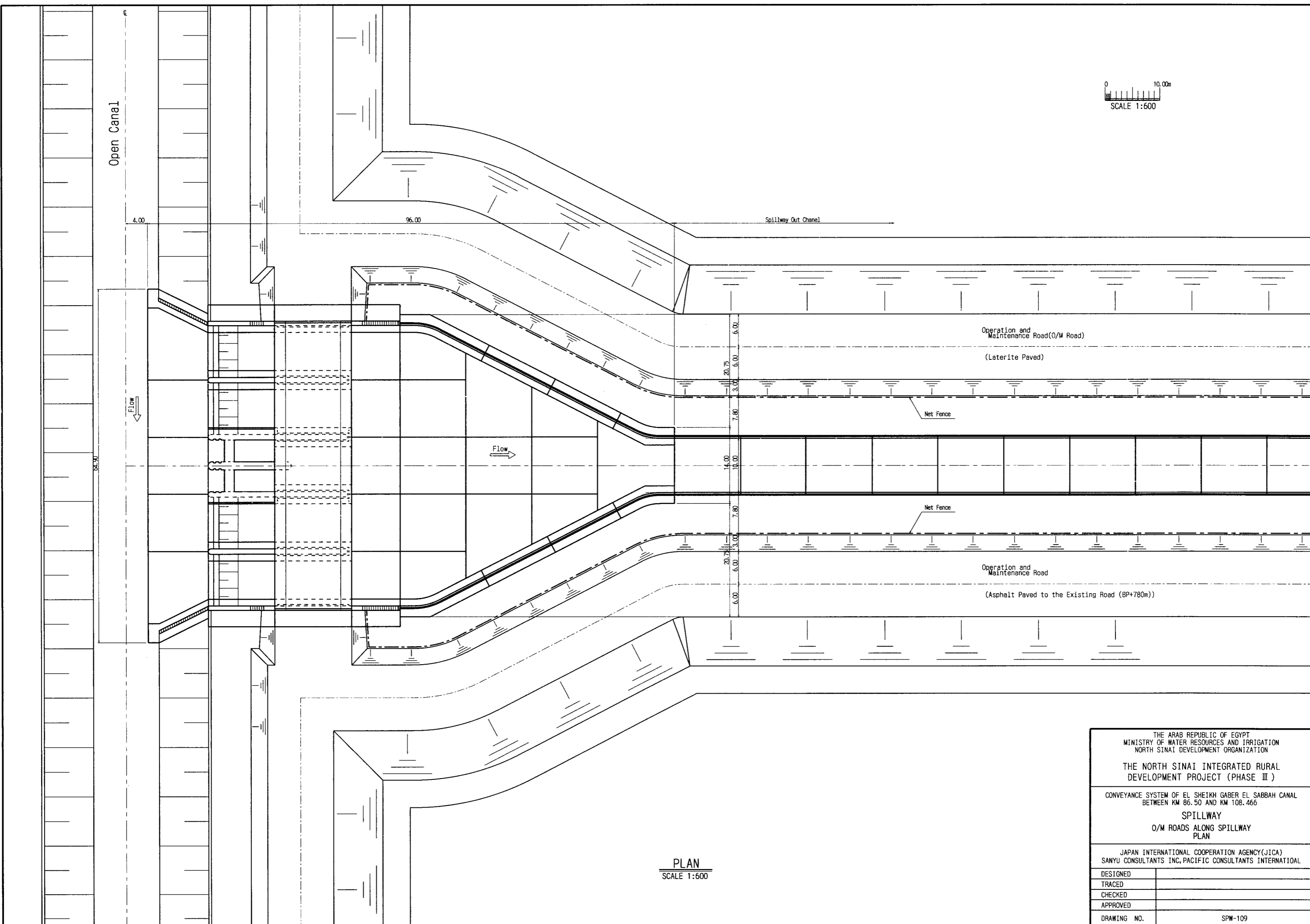
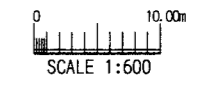


Key Plan



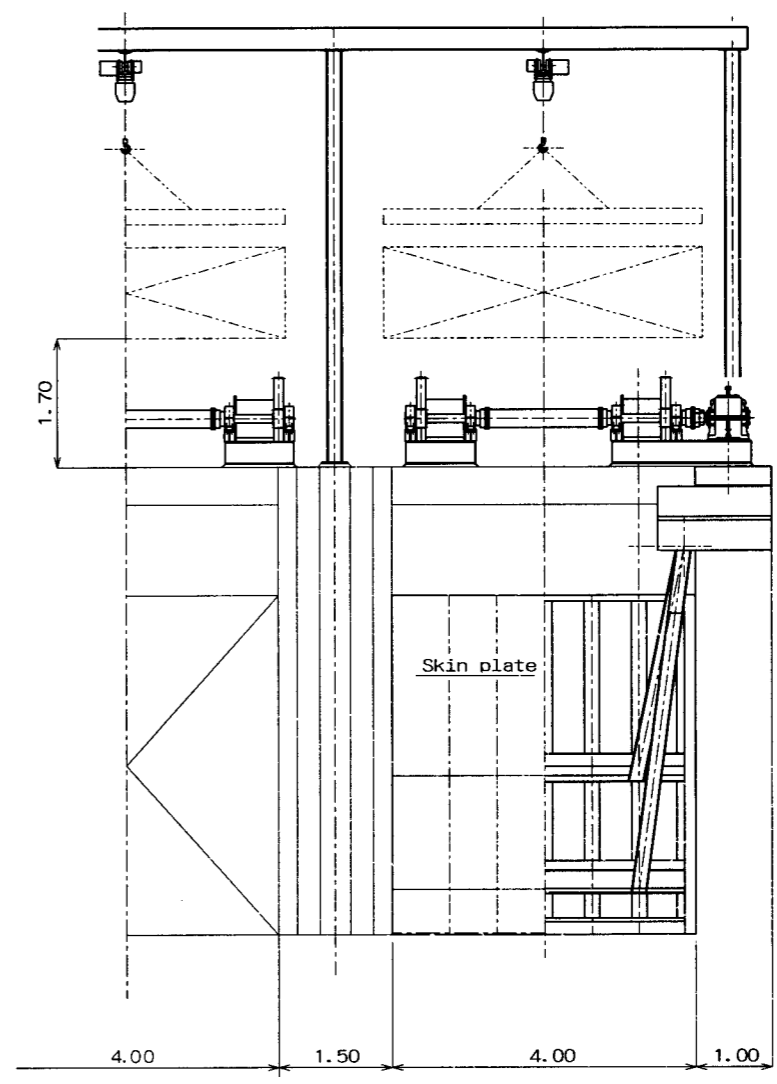
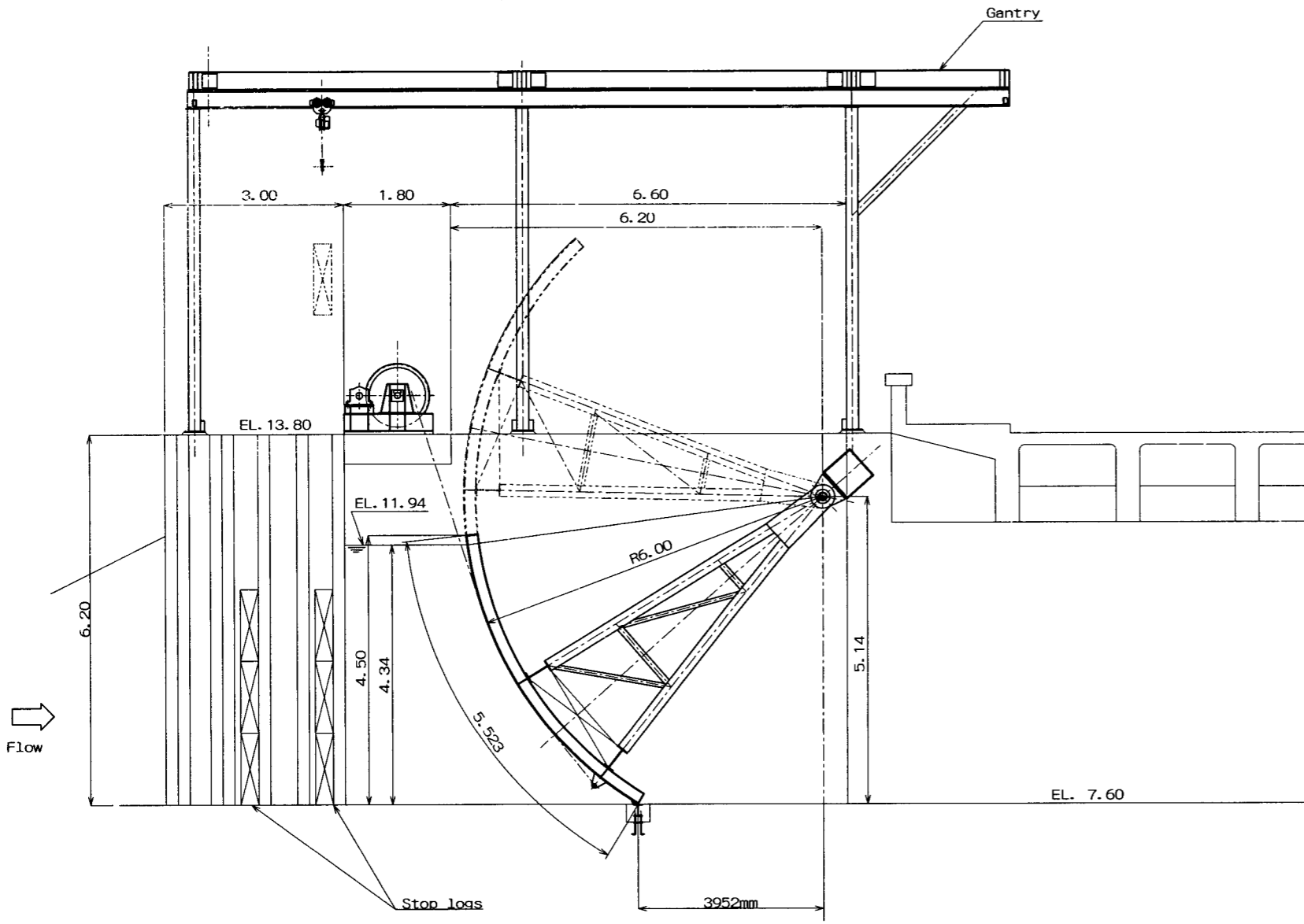
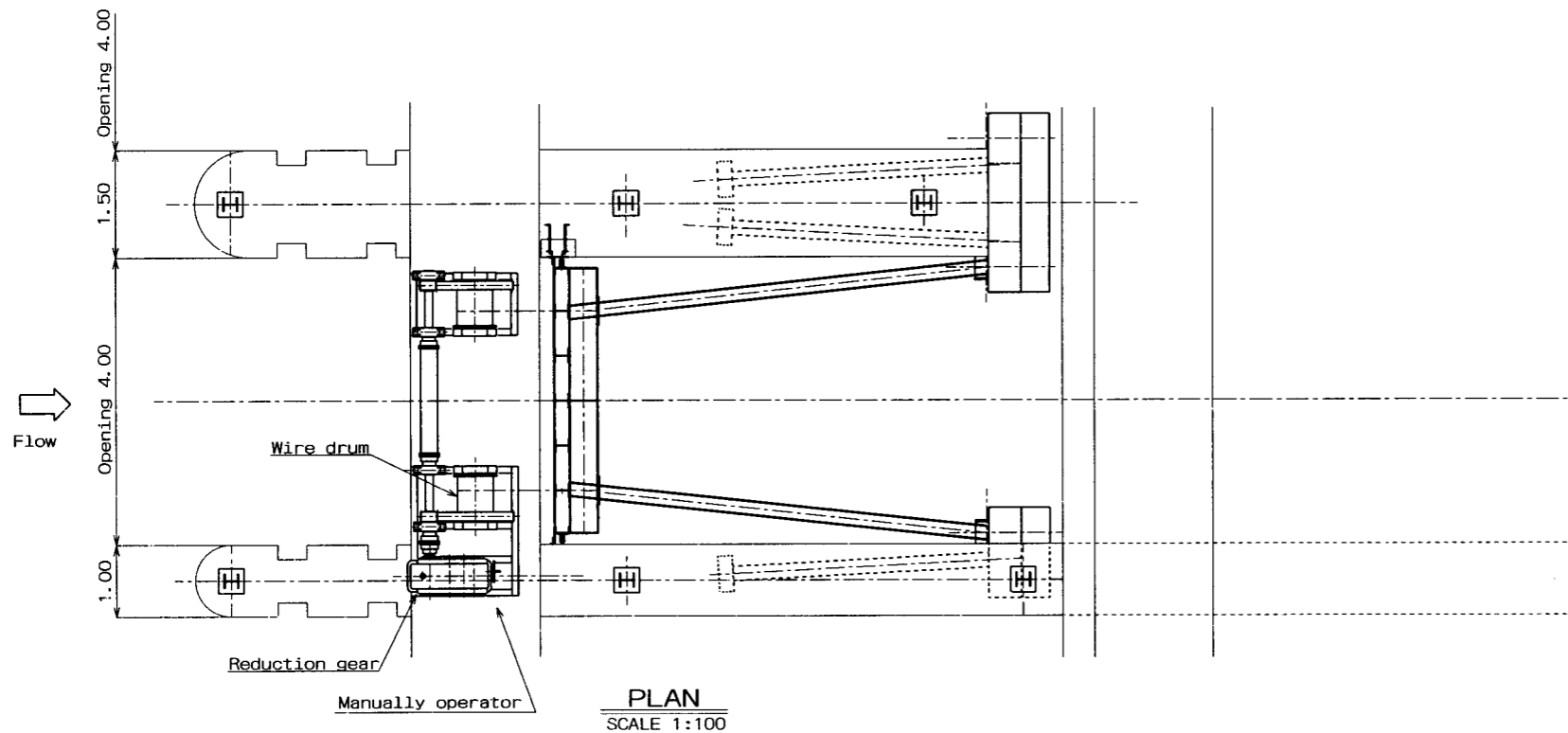
SECTION G-G
SCALE 1:100

THE ARAB REPUBLIC OF EGYPT MINISTRY OF WATER RESOURCES AND IRRIGATION NORTH SINAI DEVELOPMENT ORGANIZATION	
THE NORTH SINAI INTEGRATED RURAL DEVELOPMENT PROJECT (PHASE III)	
CONVEYANCE SYSTEM OF EL SHEIKH GABER EL SABBABH CANAL BETWEEN KM 86.500 AND KM 108.466	
SPILLWAY REINFORCEMENTS (3/3)	
JAPAN INTERNATIONAL COOPERATION AGENCY (JICA) SANYU CONSULTANTS INC, PACIFIC CONSULTANTS INTERNATIONAL	
DESIGNED	
TRACED	
CHECKED	
APPROVED	
DRAWING NO.	SPW-108



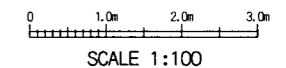
PLAN
SCALE 1:600

THE ARAB REPUBLIC OF EGYPT MINISTRY OF WATER RESOURCES AND IRRIGATION NORTH SINAI DEVELOPMENT ORGANIZATION	
THE NORTH SINAI INTEGRATED RURAL DEVELOPMENT PROJECT (PHASE III)	
CONVEYANCE SYSTEM OF EL SHEIKH GABER EL SABBABH CANAL BETWEEN KM 86.50 AND KM 108.466	
SPILLWAY O/M ROADS ALONG SPILLWAY PLAN	
JAPAN INTERNATIONAL COOPERATION AGENCY (JICA) SANYU CONSULTANTS INC, PACIFIC CONSULTANTS INTERNATIONAL	
DESIGNED	
TRACED	
CHECKED	
APPROVED	
DRAWING NO.	SPW-109



DESIGN DATA

- Type Radial gate
- Clear span 4.00m
- Gate height 4.50m
- Design head 4.34m
- Water seal 3 edges
- Seal rubber
- Hoisting speed 0.02m/min.
- (By manual)



THE ARAB REPUBLIC OF EGYPT MINISTRY OF WATER RESOURCES AND IRRIGATION NORTH SINAI DEVELOPMENT ORGANIZATION	
THE NORTH SINAI INTEGRATED RURAL DEVELOPMENT PROJECT (PHASE III)	
CONVEYANCE SYSTEM OF EL SHEIKH GABER EL SABBABH CANAL BETWEEN KM 86.500 AND KM 108.466	
SPILLWAY RADIAL GATE AND GANTRY GENERAL ARRANGEMENT	
JAPAN INTERNATIONAL COOPERATION AGENCY (JICA) SANYU CONSULTANTS INC, PACIFIC CONSULTANTS INTERNATIONAL	
DESIGNED	
TRACED	
CHECKED	
APPROVED	
DRAWING NO.	SPW-110