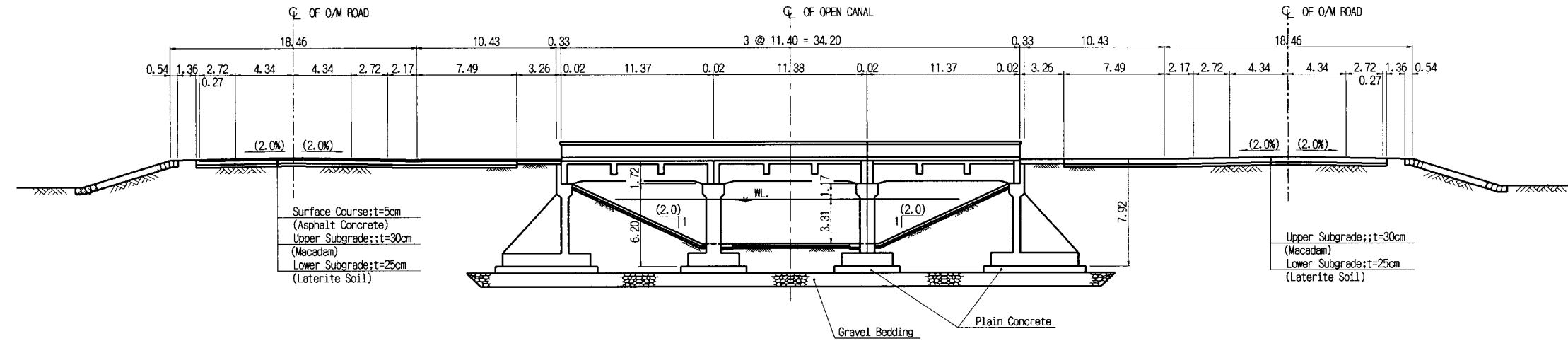


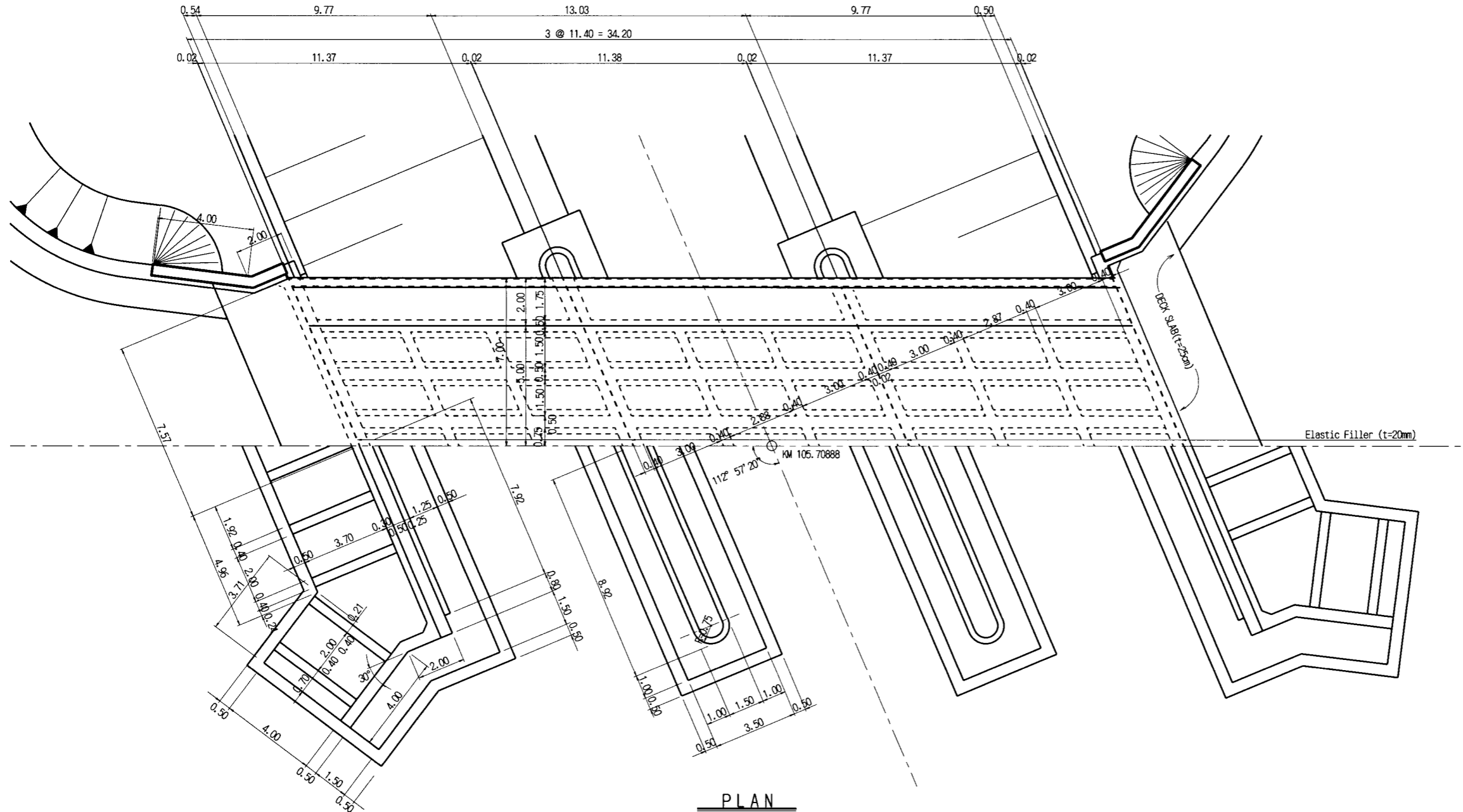
GENERAL PLAN
SCALE 1:400



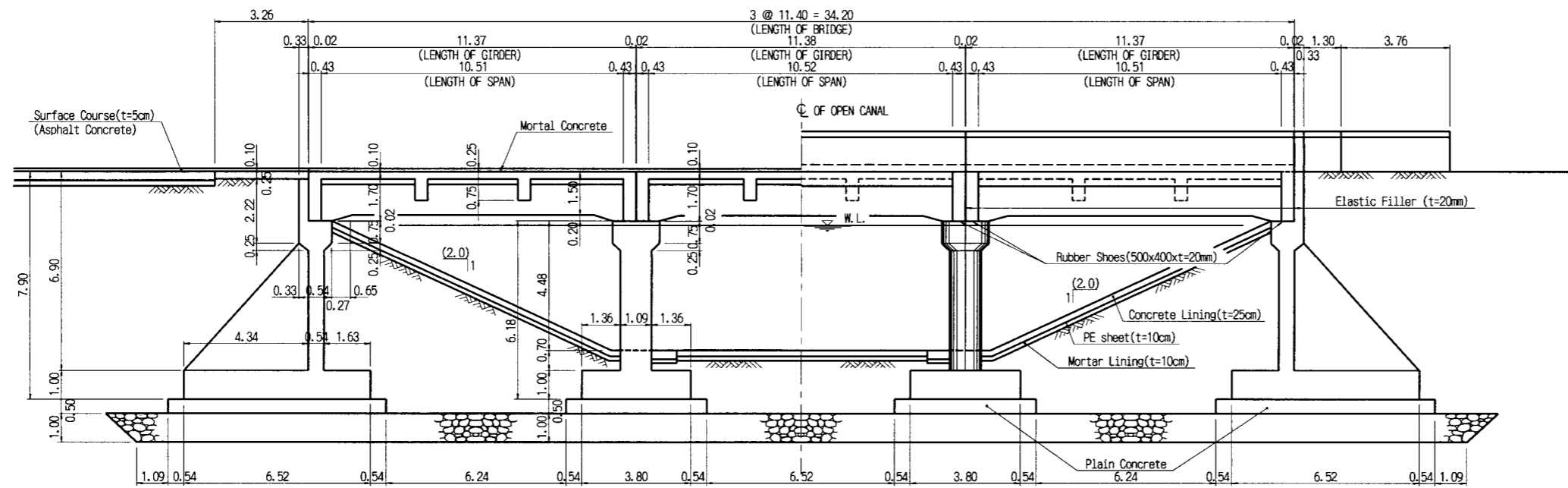
GENERAL ELEVATION
SCALE 1:400

NOTES:
1. This drawing scale is as follows:
0 5.00m 20.00m
SCALE 1:400

THE ARAB REPUBLIC OF EGYPT MINISTRY OF WATER RESOURCES AND IRRIGATION NORTH SINAI DEVELOPMENT ORGANIZATION	
THE NORTH SINAI INTEGRATED RURAL DEVELOPMENT PROJECT (PHASE III)	
CONVEYANCE SYSTEM OF EL SHEIKH GABER EL SABBABH CANAL BETWEEN KM 86.500 AND KM 108.466	
NO. 2 BRIDGE GENERAL PLAN AND ELEVATION	
JAPAN INTERNATIONAL COOPERATION AGENCY (JICA) SANYU CONSULTANTS INC, PACIFIC CONSULTANTS INTERNATIONAL	
DESIGNED	
TRACED	
CHECKED	
APPROVED	
DRAWING NO.	CCL-185



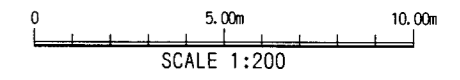
PLAN
SCALE 1:200



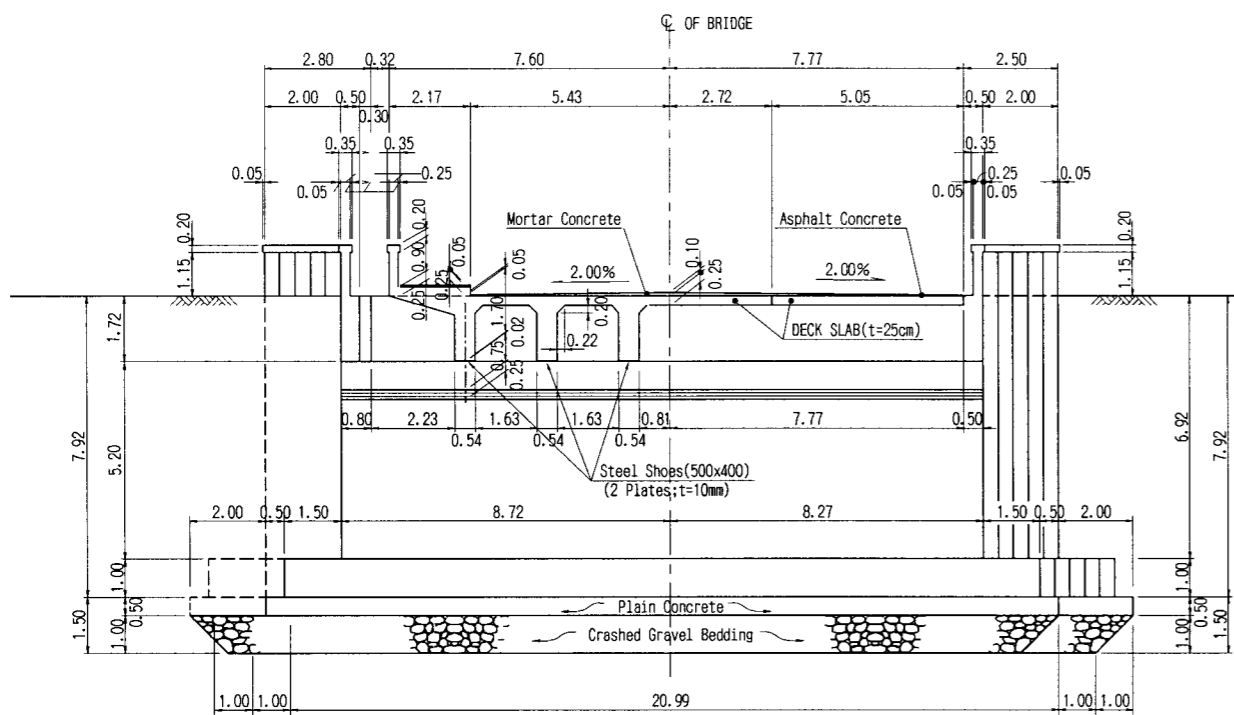
ELEVATION
SCALE 1:200

NOTES:

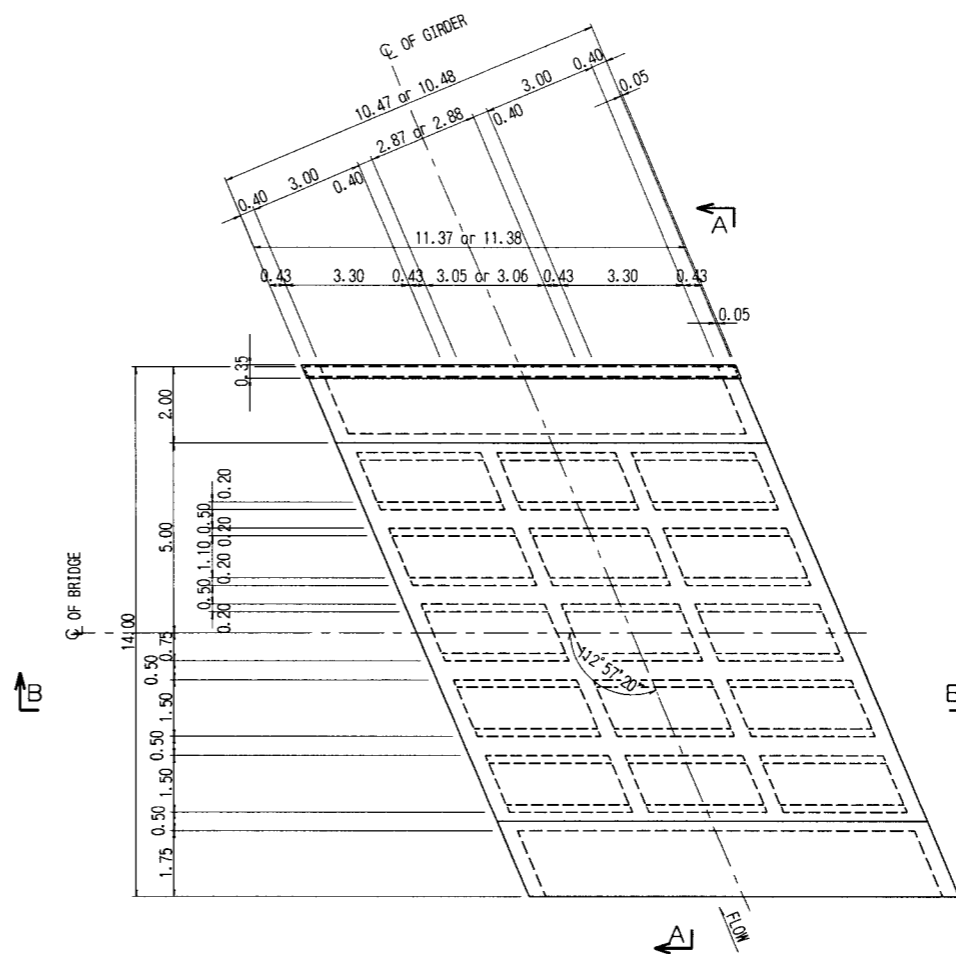
1. This drawing scale is as follows:



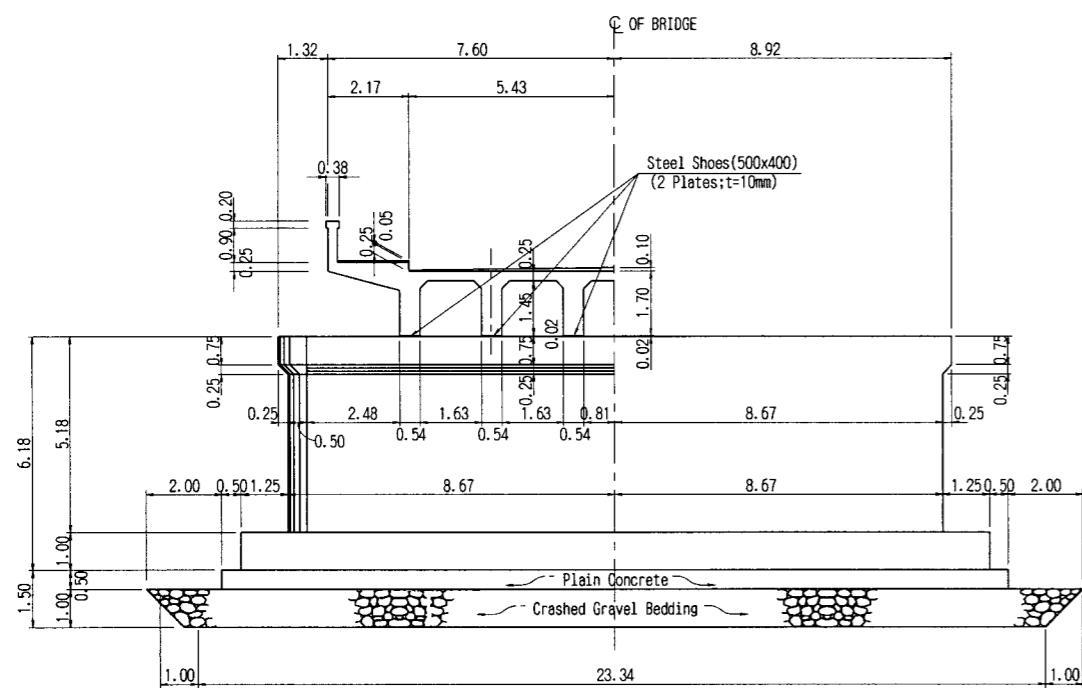
THE ARAB REPUBLIC OF EGYPT MINISTRY OF WATER RESOURCES AND IRRIGATION NORTH SINAI DEVELOPMENT ORGANIZATION	
THE NORTH SINAI INTEGRATED RURAL DEVELOPMENT PROJECT (PHASE III)	
CONVEYANCE SYSTEM OF EL SHEIKH GABER EL SABBABH CANAL BETWEEN KM 86.500 AND KM 108.466	
NO. 2 BRIDGE DETAILED PLAN AND ELEVATION	
JAPAN INTERNATIONAL COOPERATION AGENCY (JICA) SANYU CONSULTANTS INC, PACIFIC CONSULTANTS INTERNATIONAL	
DESIGNED	
TRACED	
CHECKED	
APPROVED	
DRAWING NO.	CCL-186



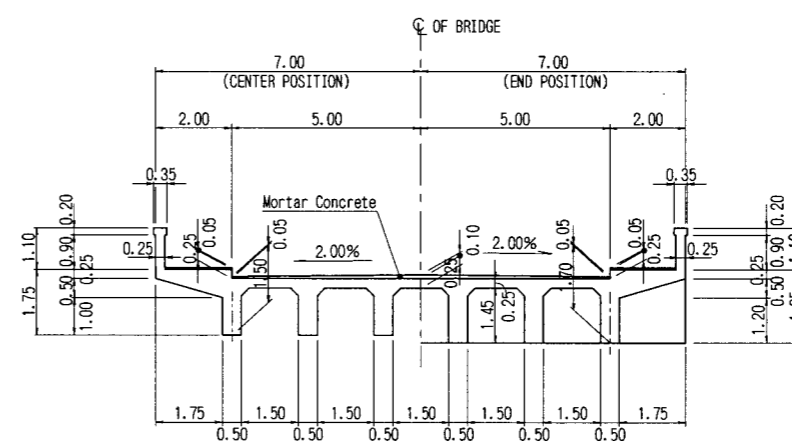
ELEVATION OF ABUTMENT
SCALE 1:200



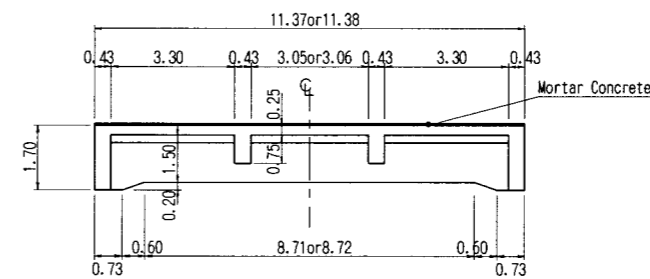
PLAN OF SUPERSTRUCTURE
SCALE 1:200



ELEVATION OF PIER
SCALE 1:200



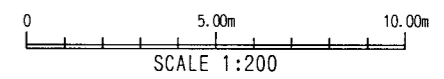
SECTION A-A
SCALE 1:200



SECTION B-B
SCALE 1:200

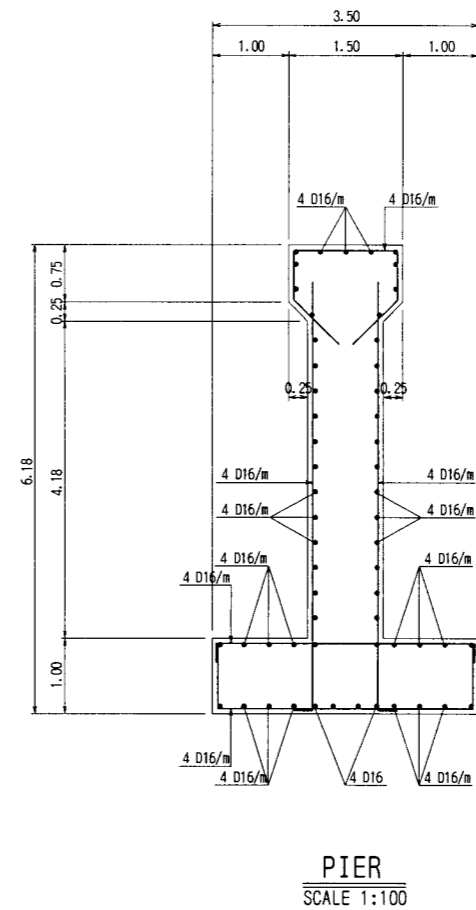
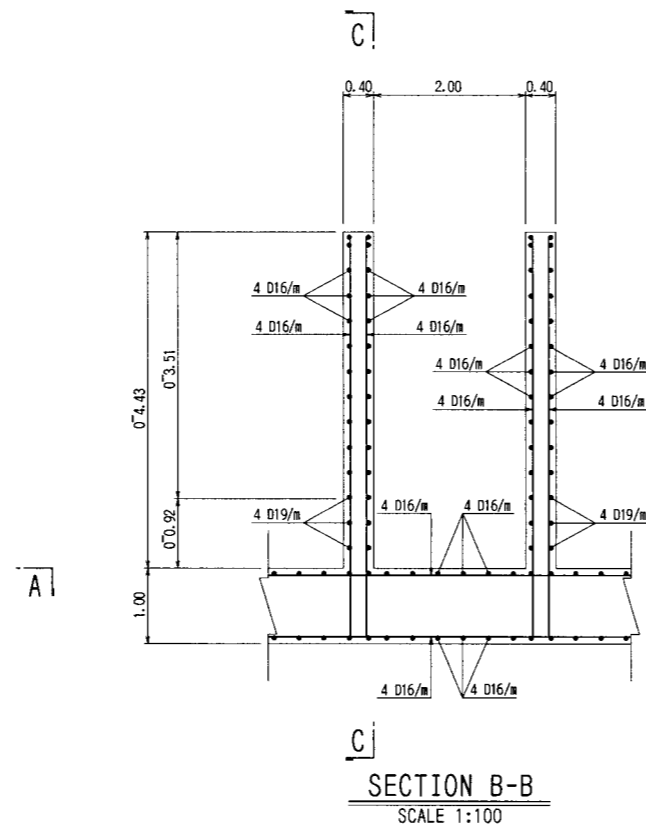
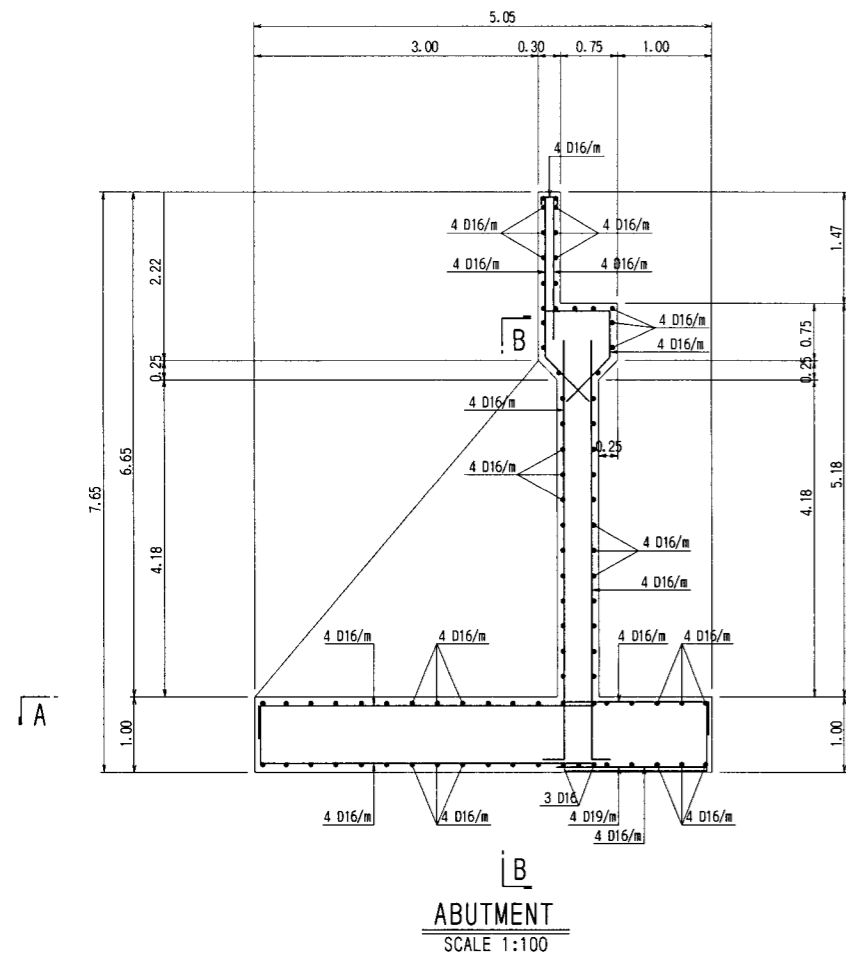
NOTES:

1. This drawing scale is as follows:

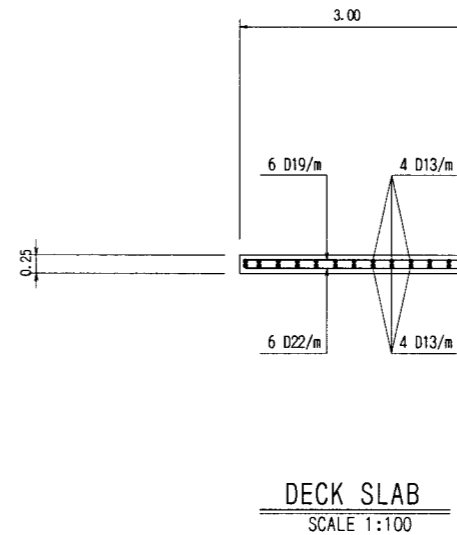
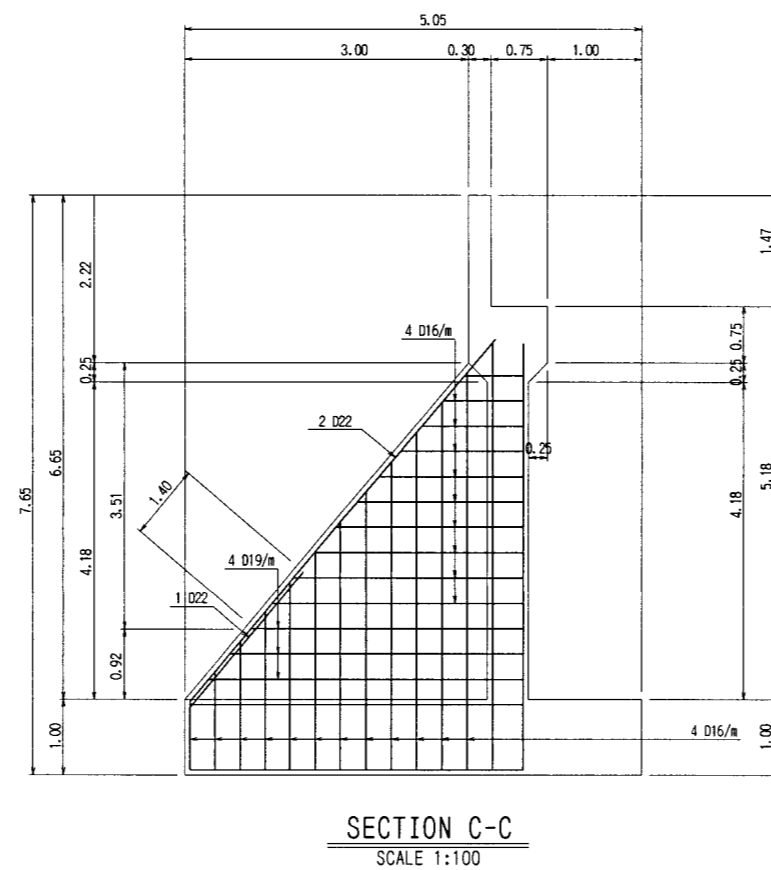
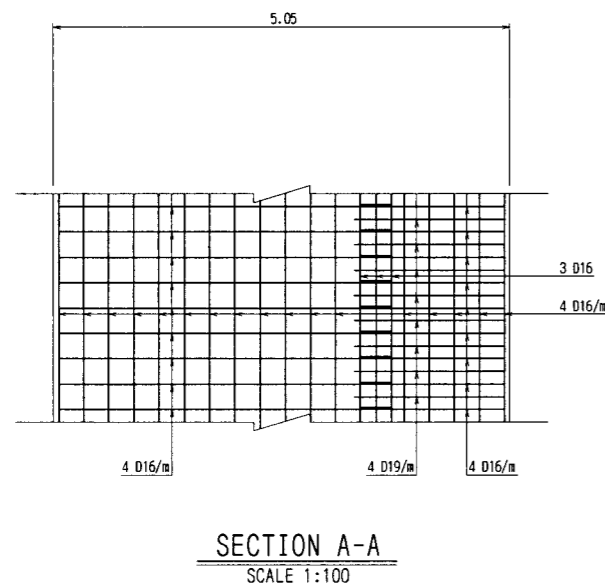


SCALE 1:200

THE ARAB REPUBLIC OF EGYPT MINISTRY OF WATER RESOURCES AND IRRIGATION NORTH SINAI DEVELOPMENT ORGANIZATION	
THE NORTH SINAI INTEGRATED RURAL DEVELOPMENT PROJECT (PHASE III)	
CONVEYANCE SYSTEM OF EL SHEIKH GABER EL SABBAH CANAL BETWEEN KM 86.500 AND KM 108.466	
NO. 2 BRIDGE DETAILED SECTIONS	
JAPAN INTERNATIONAL COOPERATION AGENCY (JICA) SANYU CONSULTANTS INC, PACIFIC CONSULTANTS INTERNATIONAL	
DESIGNED	
TRACED	
CHECKED	
APPROVED	
DRAWING NO.	CCL-187

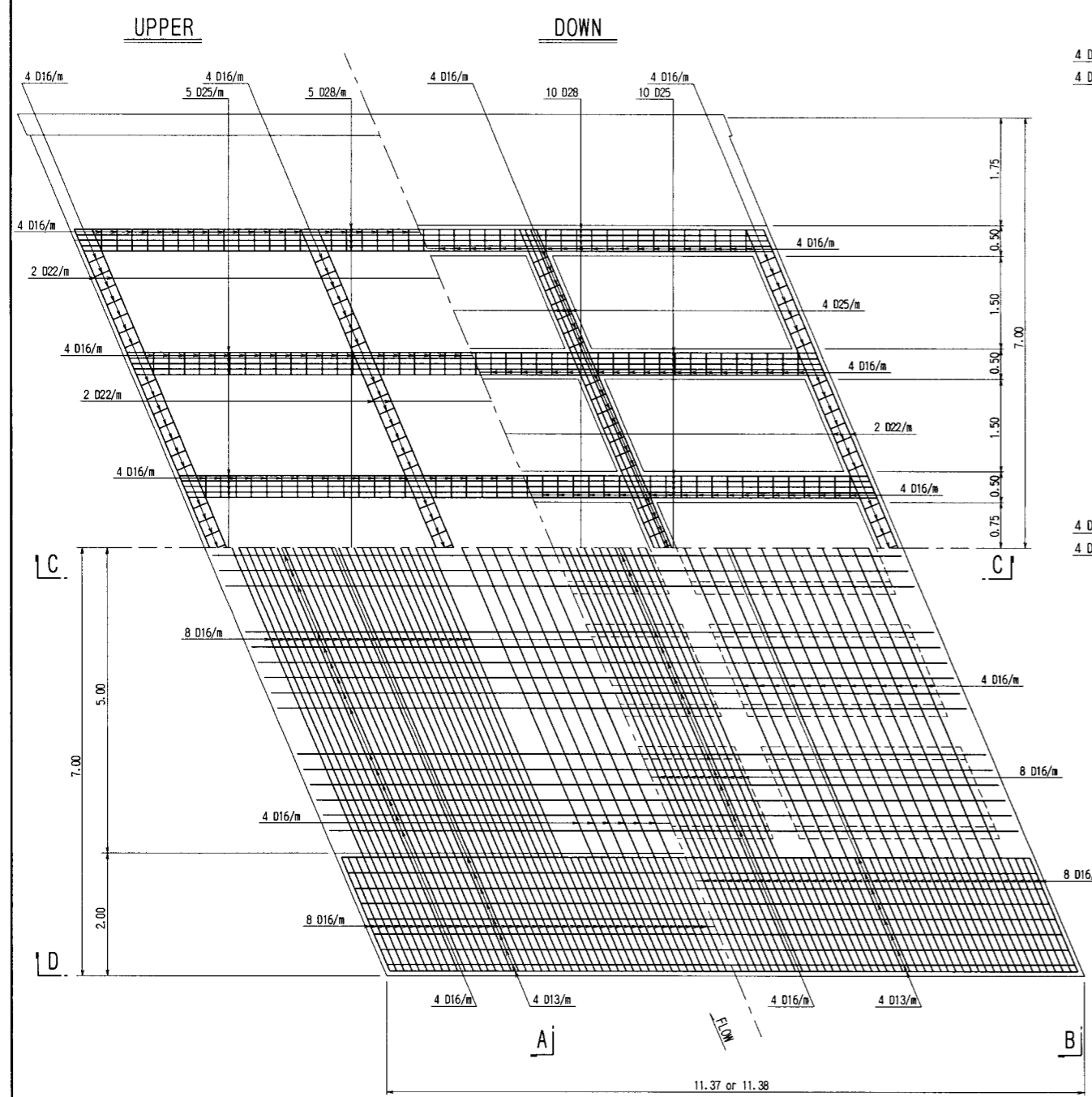


NOTES:
1. This drawing scale is as follows:
0 5.00m
SCALE 1:100

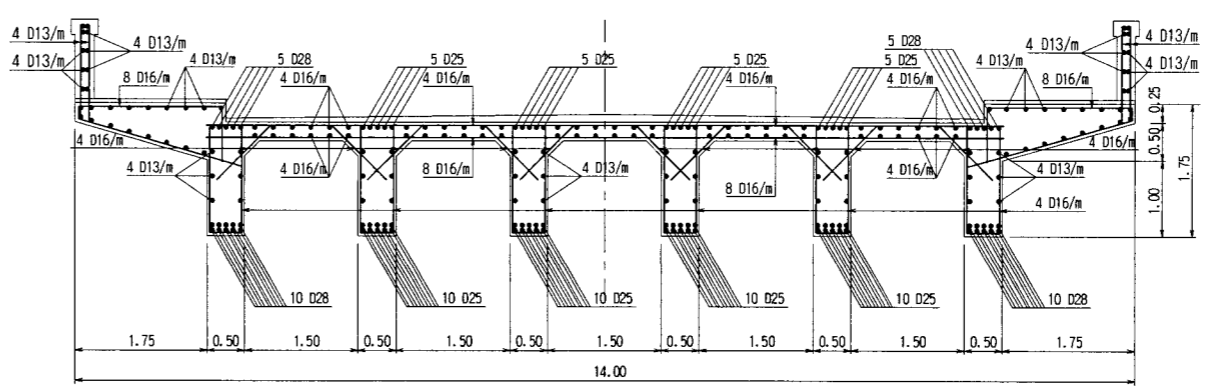


THE ARAB REPUBLIC OF EGYPT MINISTRY OF WATER RESOURCES AND IRRIGATION NORTH SINAI DEVELOPMENT ORGANIZATION	
THE NORTH SINAI INTEGRATED RURAL DEVELOPMENT PROJECT (PHASE III)	
CONVEYANCE SYSTEM OF EL SHEIKH GABER EL SABBABH CANAL BETWEEN KM 86.500 AND KM 108.466	
NO.2 BRIDGE INFRASTRUCTURE REINFORCEMENT	
JAPAN INTERNATIONAL COOPERATION AGENCY(JICA) SANYU CONSULTANTS INC, PACIFIC CONSULTANTS INTERNATIONAL	
DESIGNED	
TRACED	
CHECKED	
APPROVED	
DRAWING NO.	CCL-188

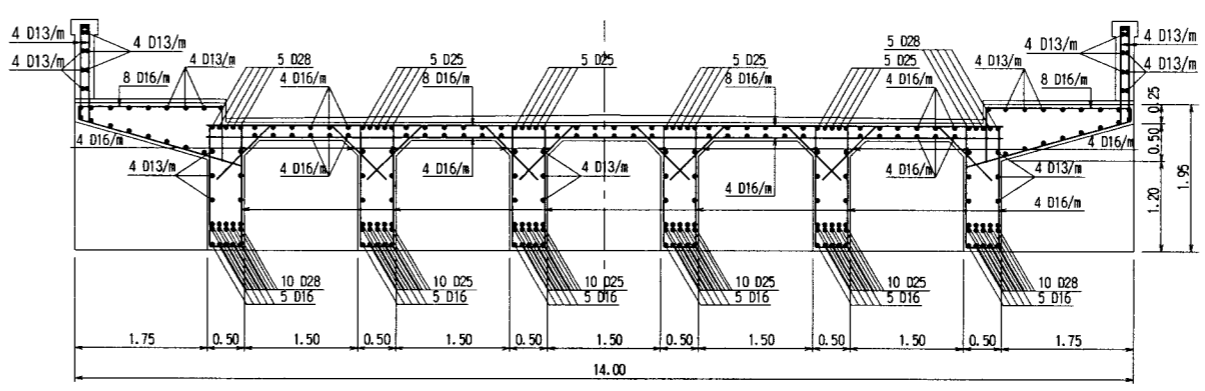
GIRDER AND BEAM



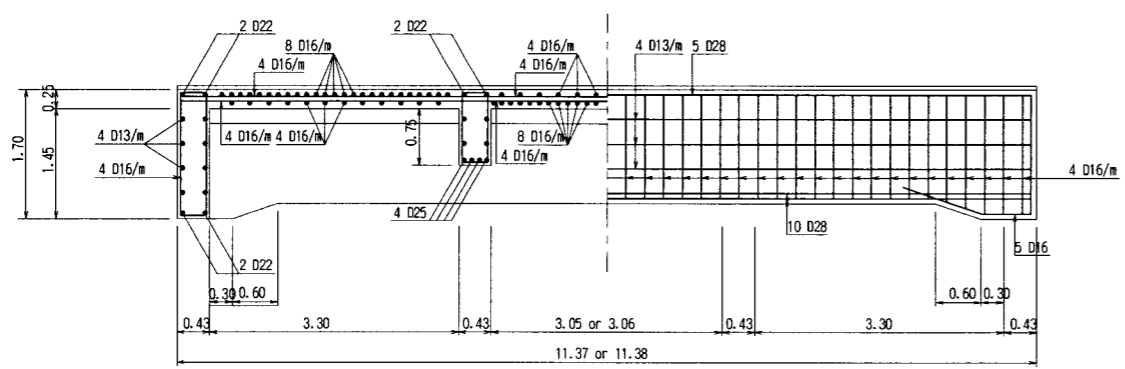
SLAB
PLAN
SCALE 1:100



SECTION A-A
SCALE 1:100



SECTION B-B
SCALE 1:100



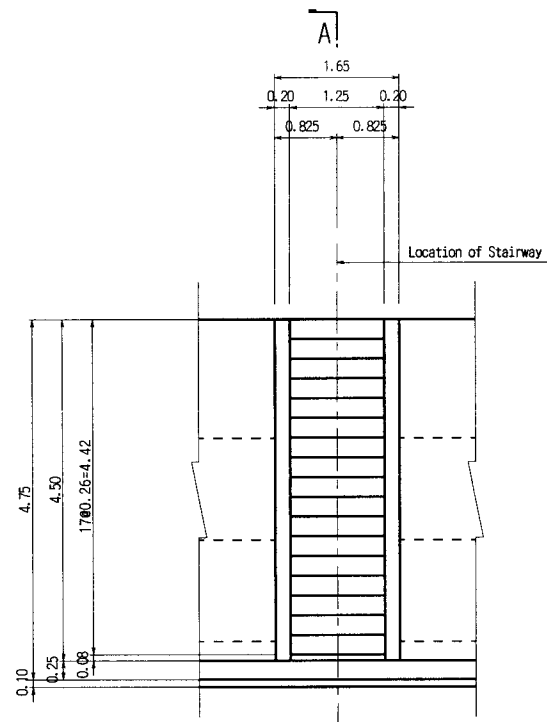
SECTION C-C
SCALE 1:100

SECTION D-D
SCALE 1:100

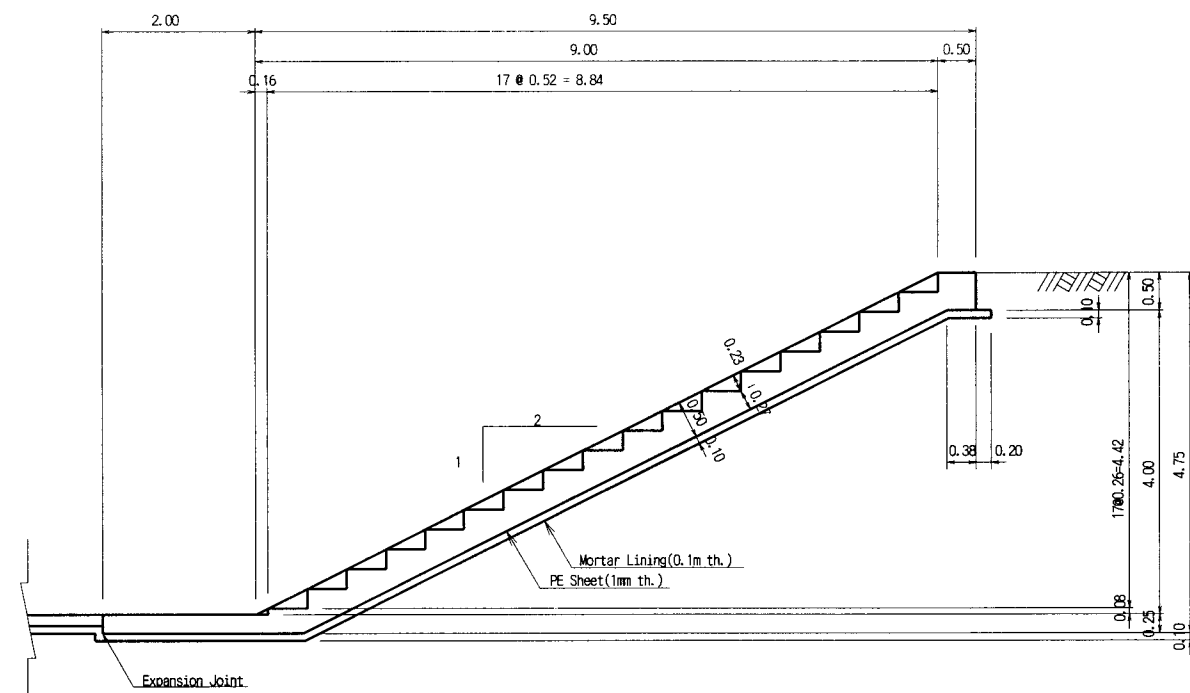
NOTES:
1. This drawing scale is as follows:

SCALE 1:100

THE ARAB REPUBLIC OF EGYPT MINISTRY OF WATER RESOURCES AND IRRIGATION NORTH SINAI DEVELOPMENT ORGANIZATION	
THE NORTH SINAI INTEGRATED RURAL DEVELOPMENT PROJECT (PHASE III)	
CONVEYANCE SYSTEM OF EL SHEIKH GABER EL SABBAB CANAL BETWEEN KM 86.500 AND KM 108.466	
NO. 2 BRIDGE SUPERSTRUCTURE REINFORCEMENT	
JAPAN INTERNATIONAL COOPERATION AGENCY(JICA) SANYU CONSULTANTS INC, PACIFIC CONSULTANTS INTERNATIONAL	
DESIGNED	
TRACED	
CHECKED	
APPROVED	
DRAWING NO.	CCL-189



Aj
ELEVATION OF STAIRWAY
SCALE 1:100



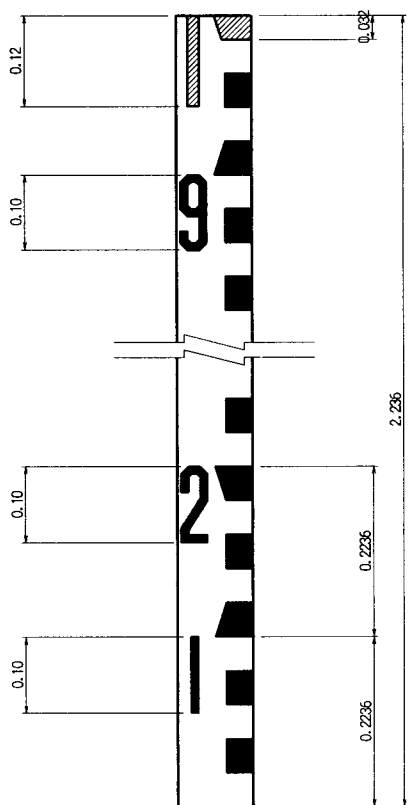
SECTION A-A
SCALE 1:100

LOCATION OF STAIRWAYS AND STAFF GAUGES

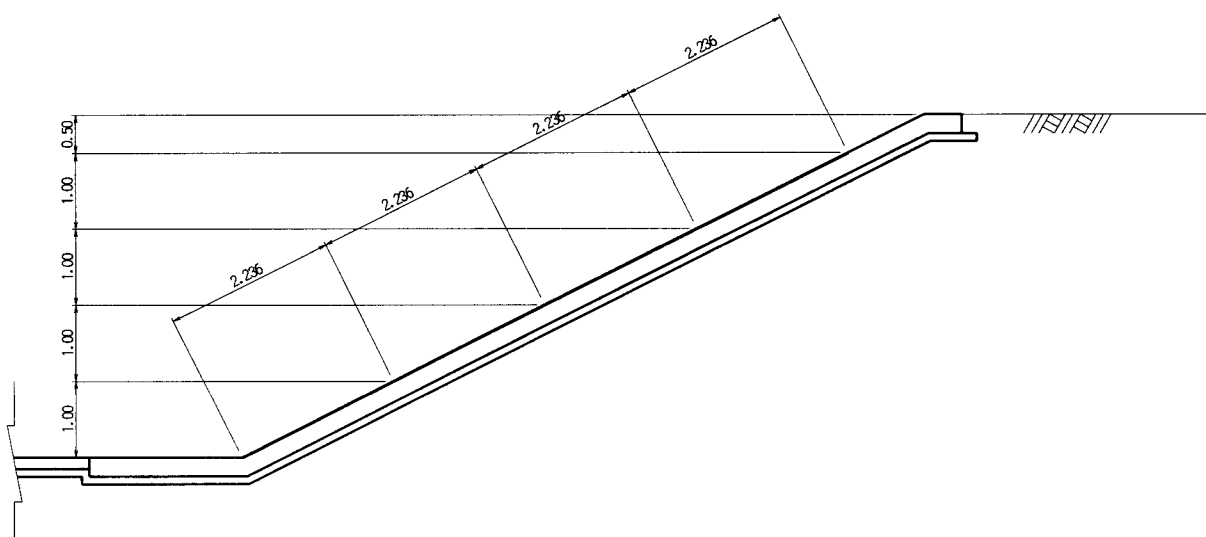
LOCATION	STAIRWAY (BOTH BANKS)	STAFF GAUGE (LEFT BANK ONLY)	LOCATION	STAIRWAY (BOTH BANKS)	STAFF GAUGE (LEFT BANK ONLY)
No. 1 OPEN CANAL			No. 2 OPEN CANAL		
KM 86.54	○	○	KM 101.85	○	○
KM 87.00	○		KM 102.00	○	
KM 87.50	○		KM 102.50	○	
KM 88.00	○		KM 103.00	○	
KM 88.50	○		KM 103.50	○	
KM 89.00	○		KM 104.00	○	
KM 89.50	○		KM 104.50	○	
KM 90.00	○		KM 105.00	○	
KM 90.50	○	○	KM 105.50	○	
KM 91.00	○		KM 106.15	○	○
KM 91.50	○		KM 106.50	○	
KM 92.00	○		KM 107.00	○	
KM 92.50	○		KM 107.50	○	
KM 93.00	○		KM 108.00	○	
KM 93.50	○		KM 108.45	○	○
KM 94.00	○				
KM 94.25	○	○			

In addition, vertical Staff gauges shall be installed at the following locations:

LOCATION	VERTICAL STAFF GAUGE
No. 1 OPEN CANAL : No. 1 Bridge (Pier)	1 set
BOX CULVERT : Inlet and Outlet	each 1 set
BOX CULVERT : Openings	each 2 sets
No. 2 OPEN CANAL : No. 2 Bridge (Pier)	1 set



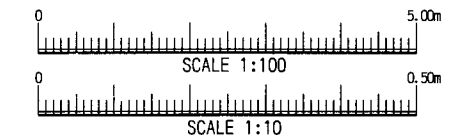
STAFF GAUGE
SCALE 1:10



INSTALLATION OF STAFF GAUGE
SCALE 1:100

NOTES:

1. Scale:



2. Location of staff gauges are subject to the Employer's approval

THE ARAB REPUBLIC OF EGYPT
MINISTRY OF WATER RESOURCES AND IRRIGATION
NORTH SINAI DEVELOPMENT ORGANIZATION

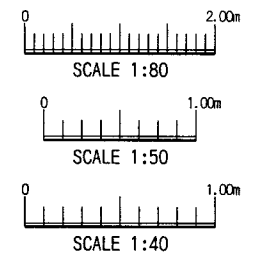
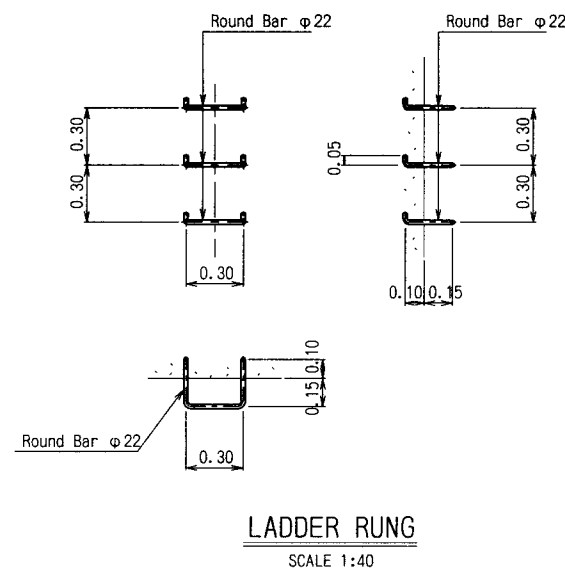
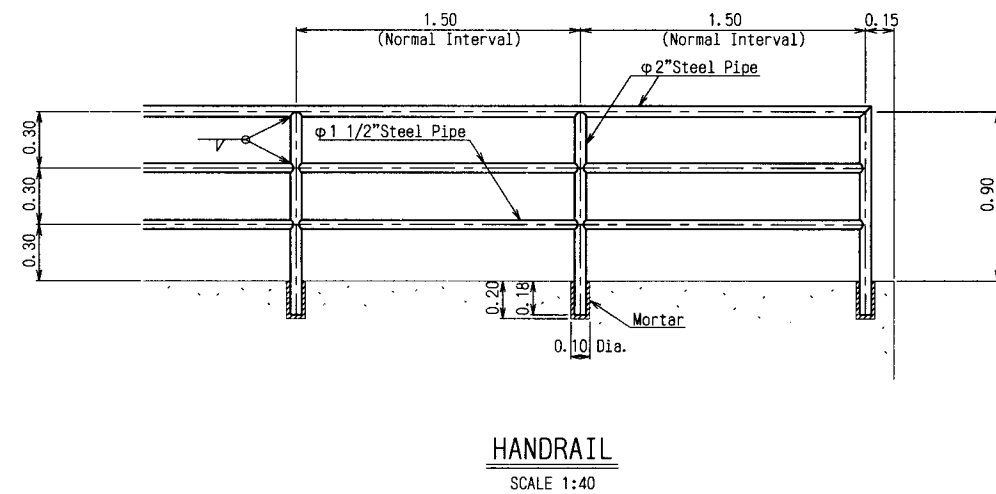
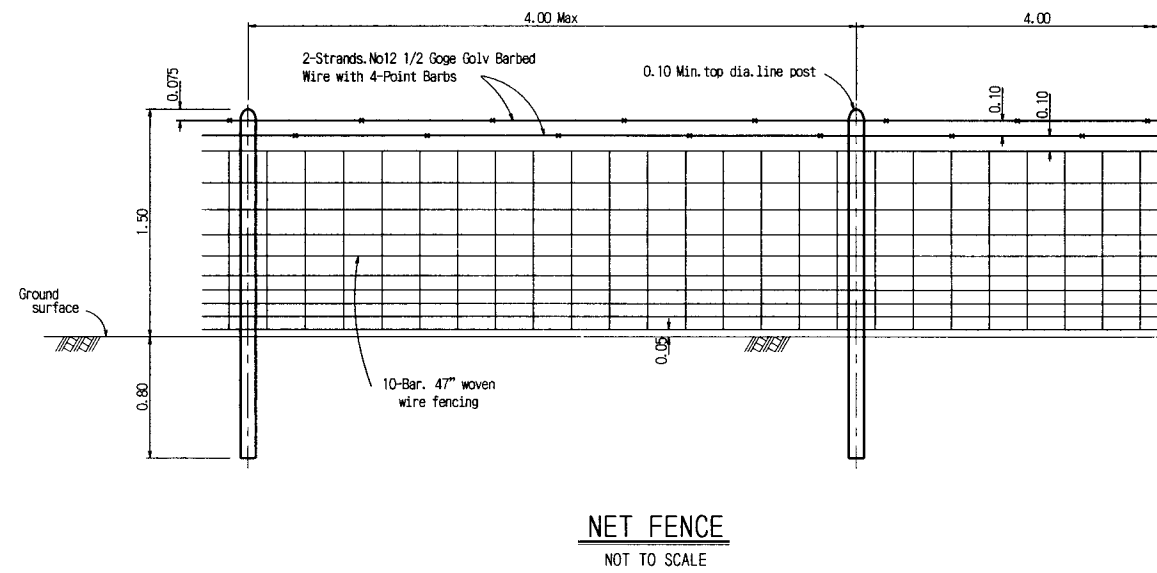
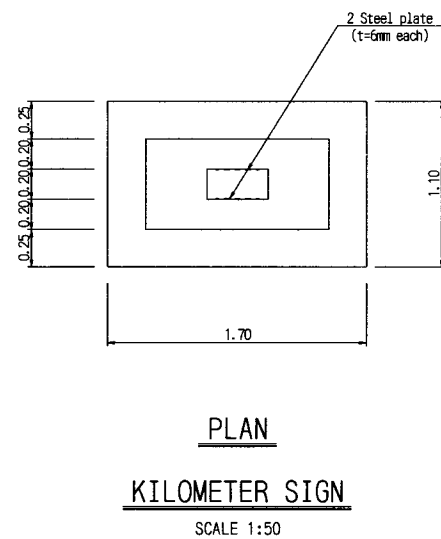
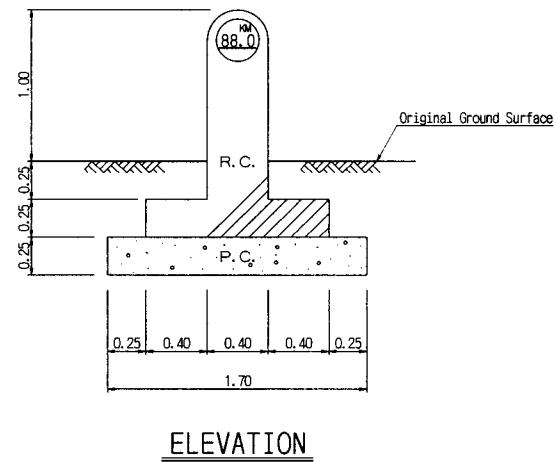
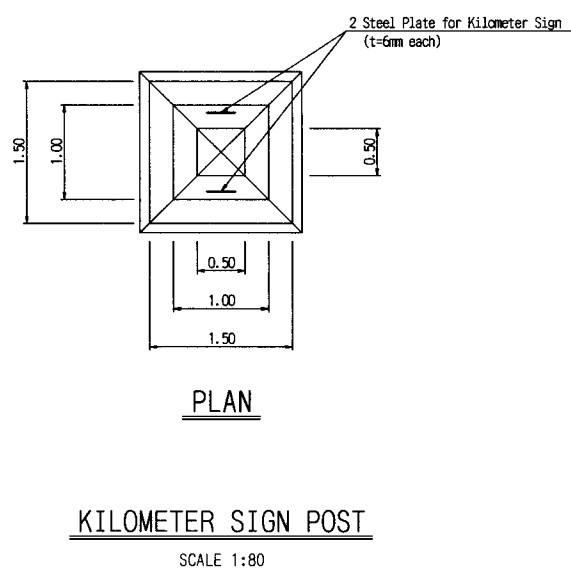
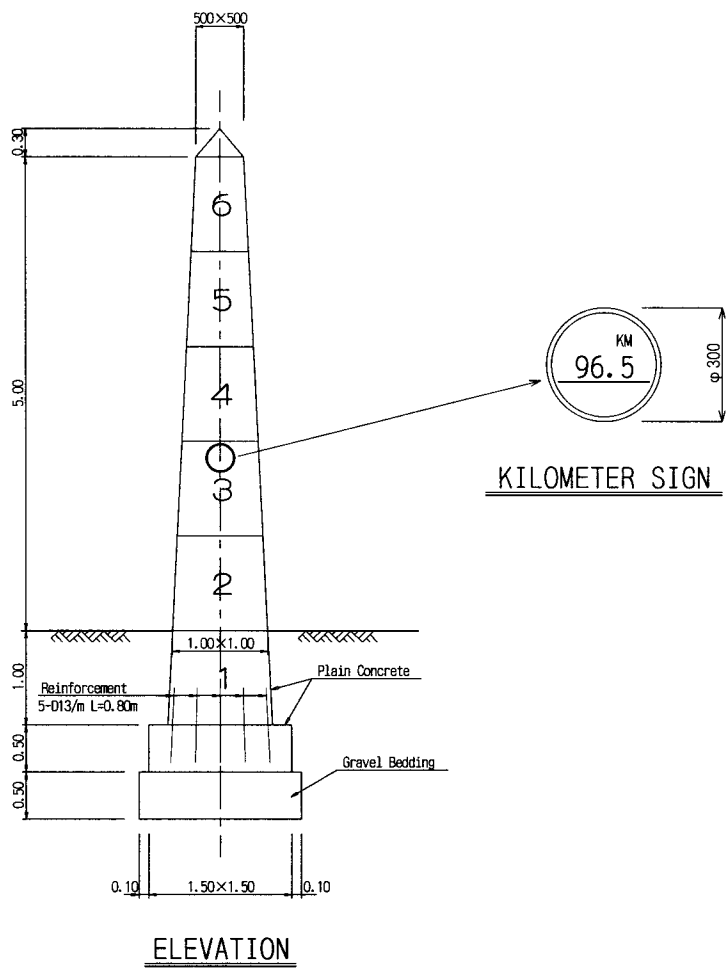
THE NORTH SINAI INTEGRATED RURAL
DEVELOPMENT PROJECT (PHASE III)

CONVEYANCE SYSTEM OF EL SHEIKH GABER EL SABBAAH CANAL
BETWEEN KM 86.500 AND KM 108.466

DETAILS
STAIRWAY AND STAFF GAUGE

JAPAN INTERNATIONAL COOPERATION AGENCY (JICA)
SANYU CONSULTANTS INC, PACIFIC CONSULTANTS INTERNATIONAL

DESIGNED	
TRACED	
CHECKED	
APPROVED	
DRAWING NO.	CCL-190



THE ARAB REPUBLIC OF EGYPT MINISTRY OF WATER RESOURCES AND IRRIGATION NORTH SINAI DEVELOPMENT ORGANIZATION	
THE NORTH SINAI INTEGRATED RURAL DEVELOPMENT PROJECT (PHASE III)	
CONVEYANCE SYSTEM OF EL SHEIKH GABER EL SABBABH CANAL BETWEEN KM 86.500 AND KM 108.466	
DETAILS NET FENCE, LADDER RUNG, HANDRAIL AND KILOMETER SIGN	
JAPAN INTERNATIONAL COOPERATION AGENCY (JICA) SANYU CONSULTANTS INC, PACIFIC CONSULTANTS INTERNATIONAL	
DESIGNED	
TRACED	
CHECKED	
APPROVED	
DRAWING NO.	CCL-191