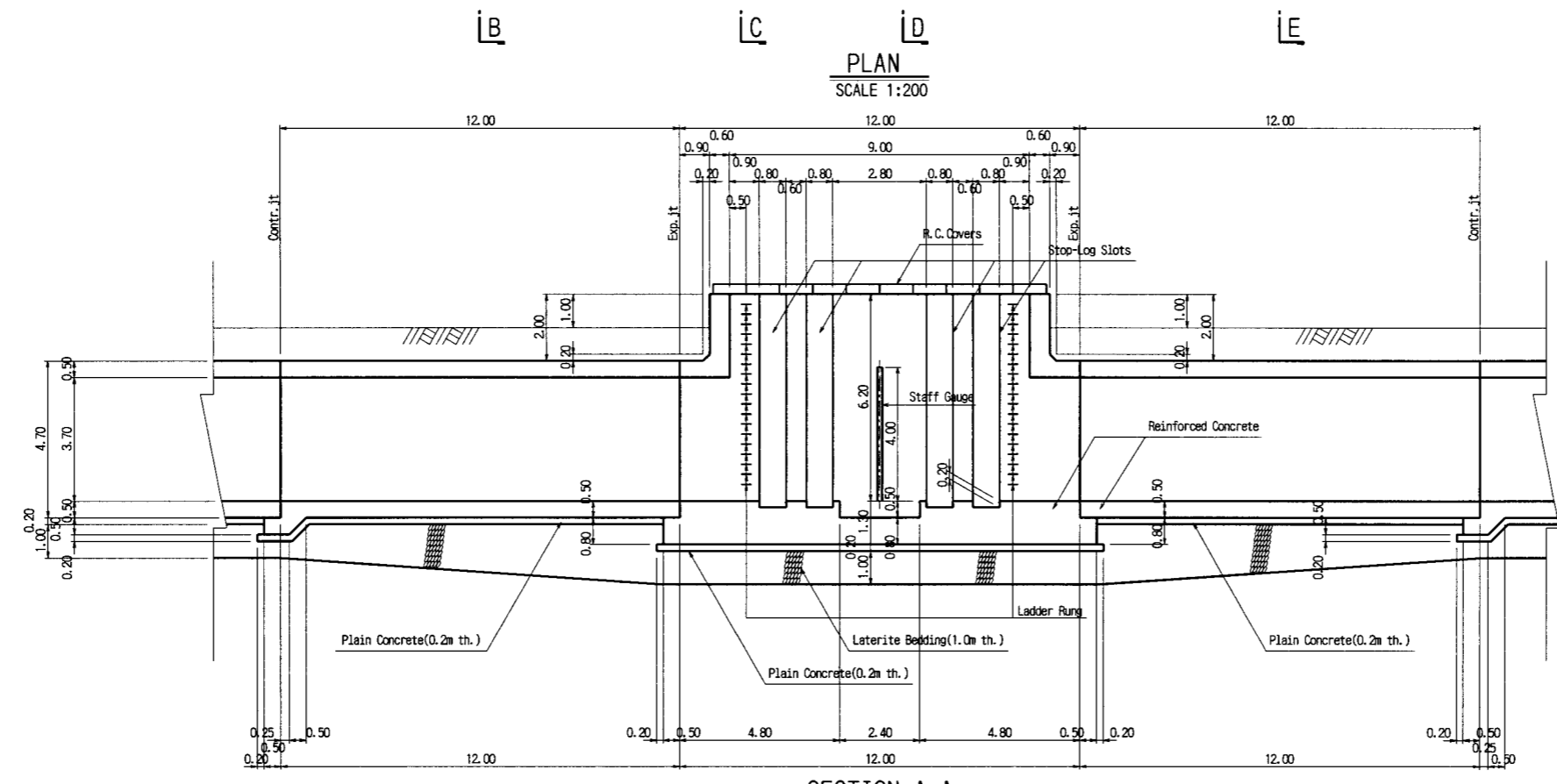
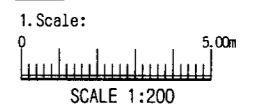


PLAN
SCALE 1:200



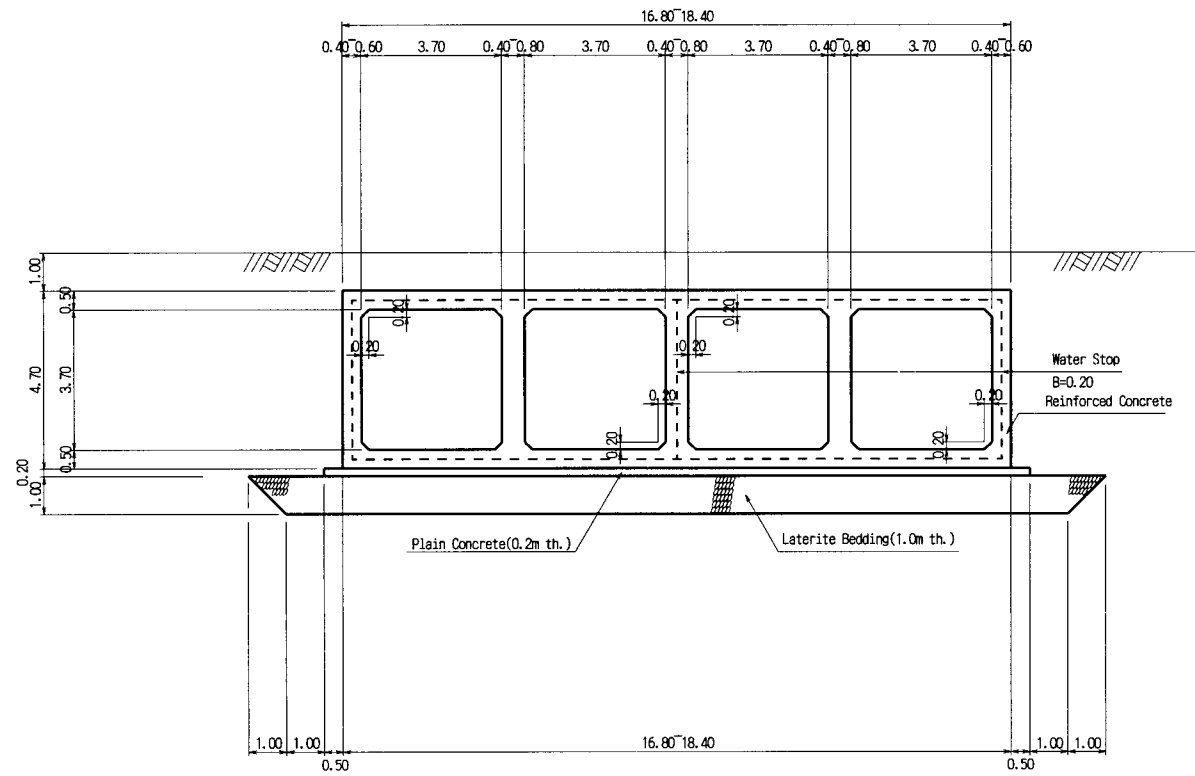
SECTION A-A
SCALE 1:200

NOTES:

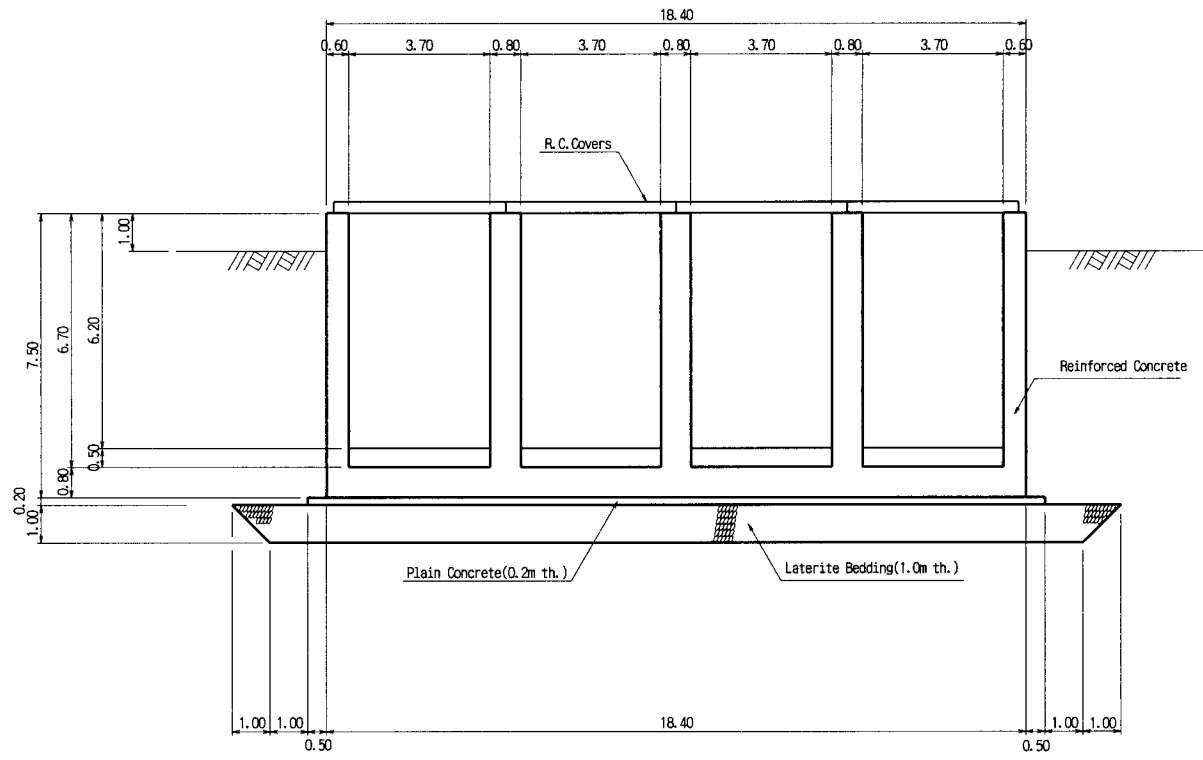


2. For sections B-B to E-E, see Dwg.No.CCL-177.

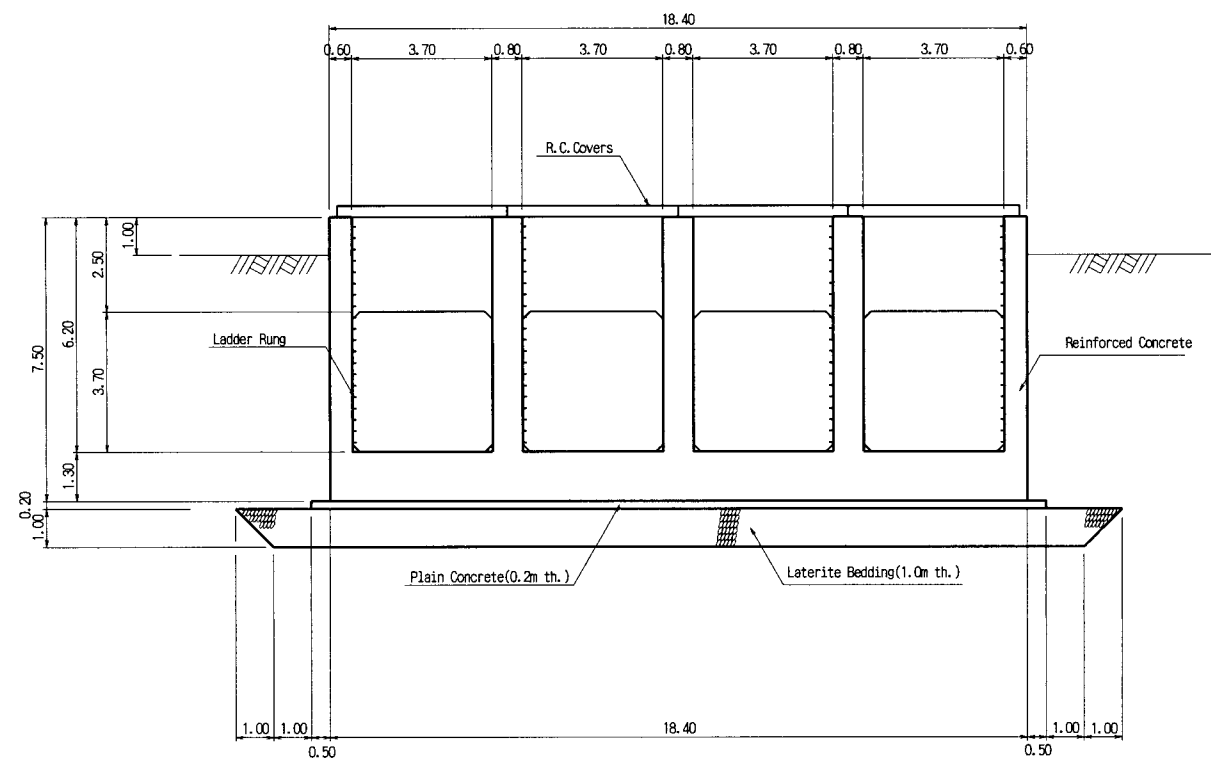
THE ARAB REPUBLIC OF EGYPT MINISTRY OF WATER RESOURCES AND IRRIGATION NORTH SINAI DEVELOPMENT ORGANIZATION	
THE NORTH SINAI INTEGRATED RURAL DEVELOPMENT PROJECT (PHASE III)	
CONVEYANCE SYSTEM OF EL SHEIKH GABER EL SABBAAH CANAL BETWEEN KM 86.500 AND KM 108.466	
BOX CULVERT OPENINGS (2)-(8) PLAN AND SECTION	
JAPAN INTERNATIONAL COOPERATION AGENCY(JICA) SANYU CONSULTANTS INC, PACIFIC CONSULTANTS INTERNATIONAL	
DESIGNED	
TRACED	
CHECKED	
APPROVED	
DRAWING NO.	CCL-176



SECTION B-B (E-E)
SCALE 1:200



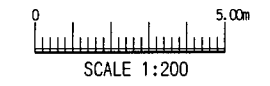
SECTION D-D
SCALE 1:200



SECTION C-C
SCALE 1:200

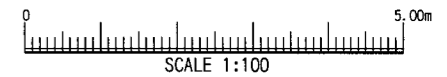
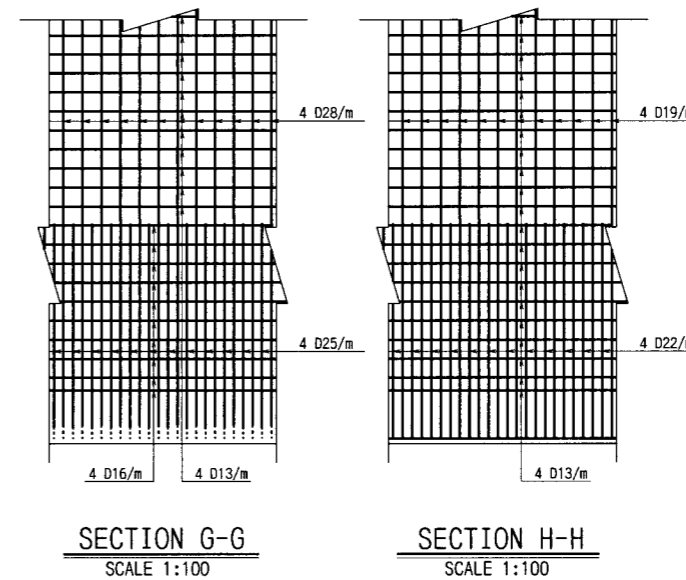
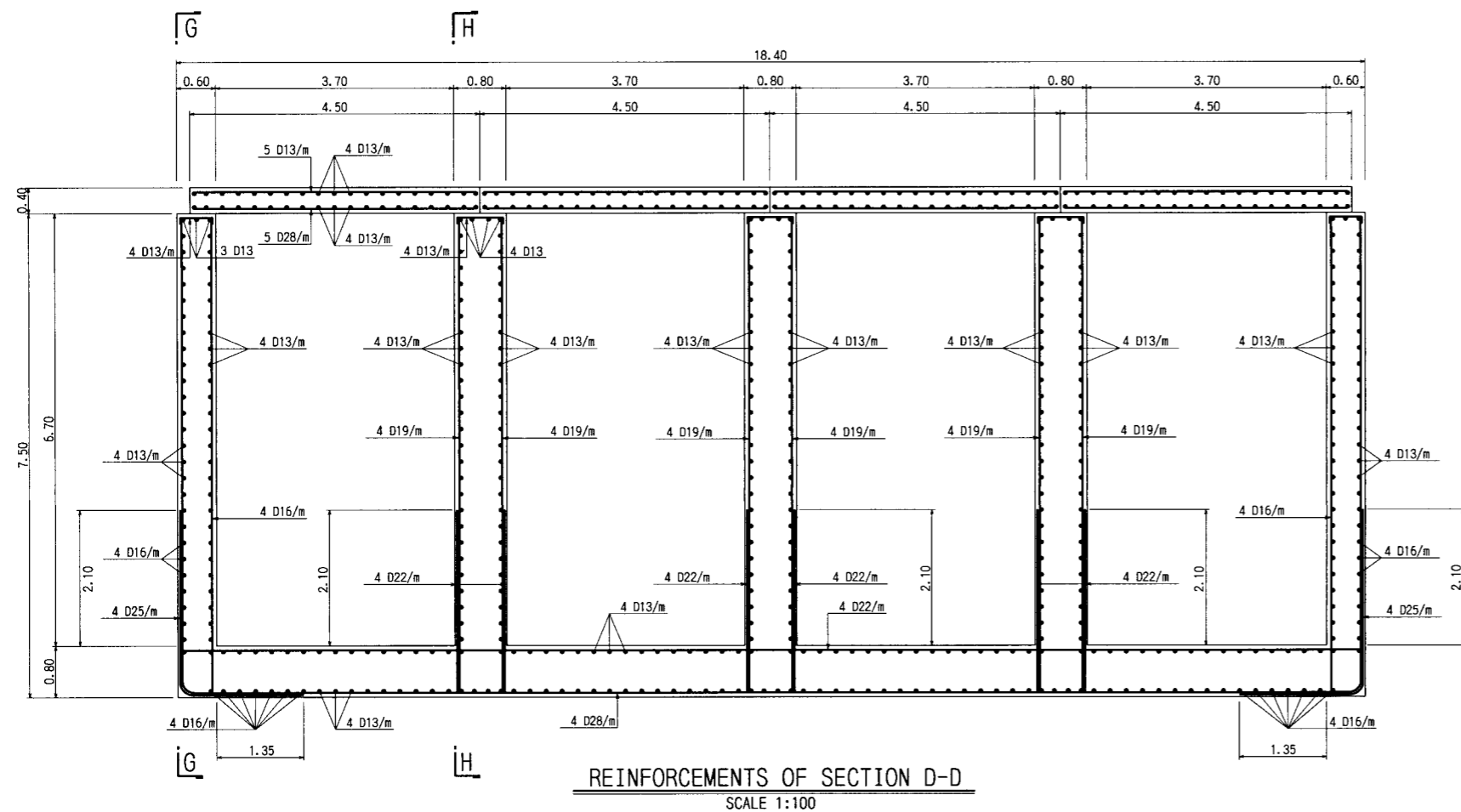
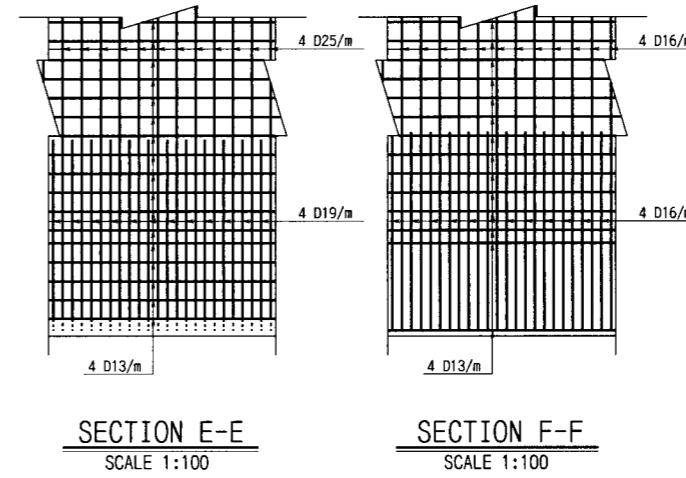
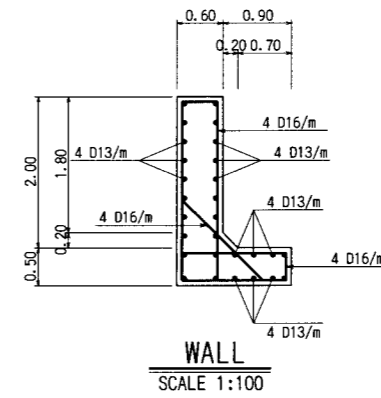
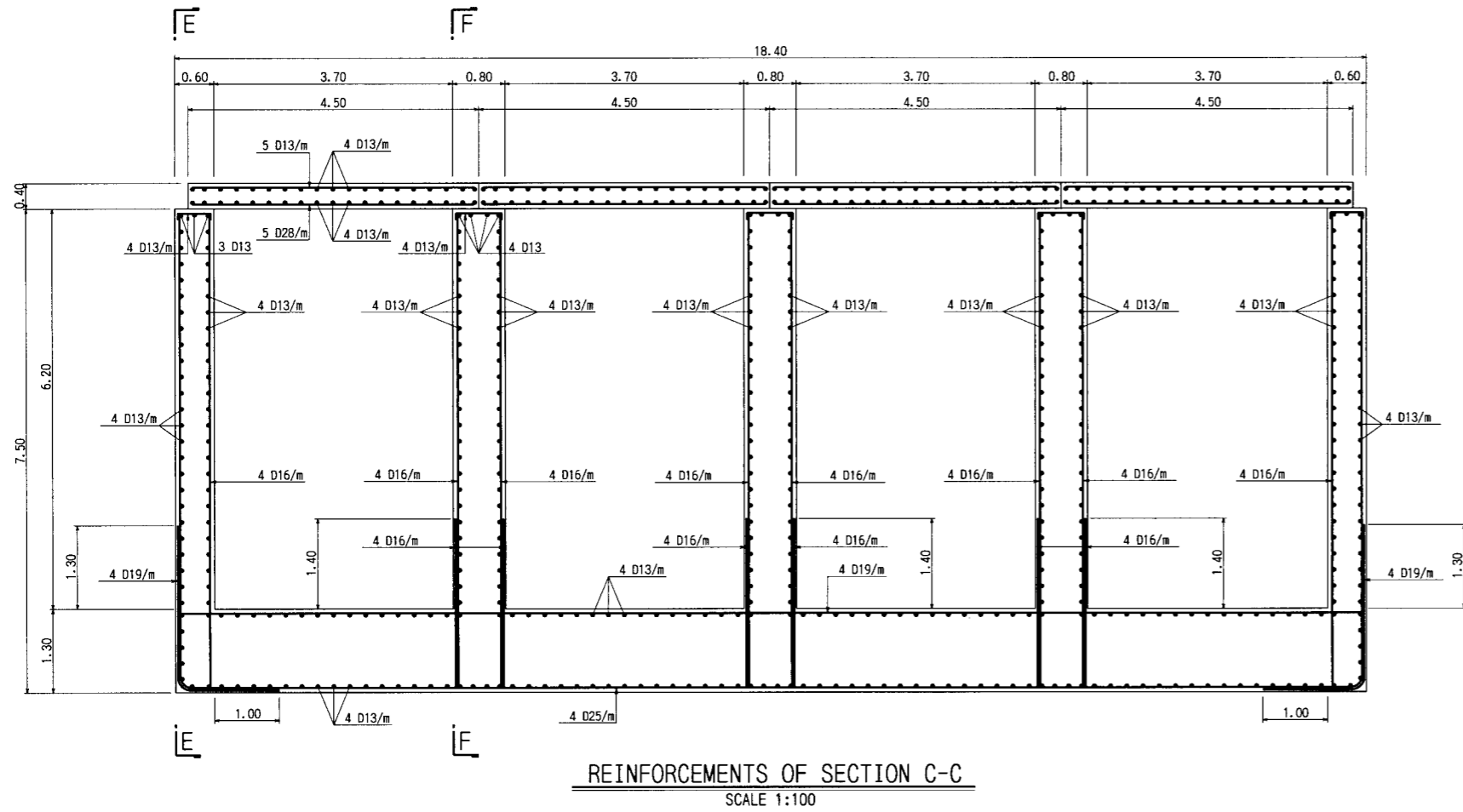
NOTES:

1. Scale:

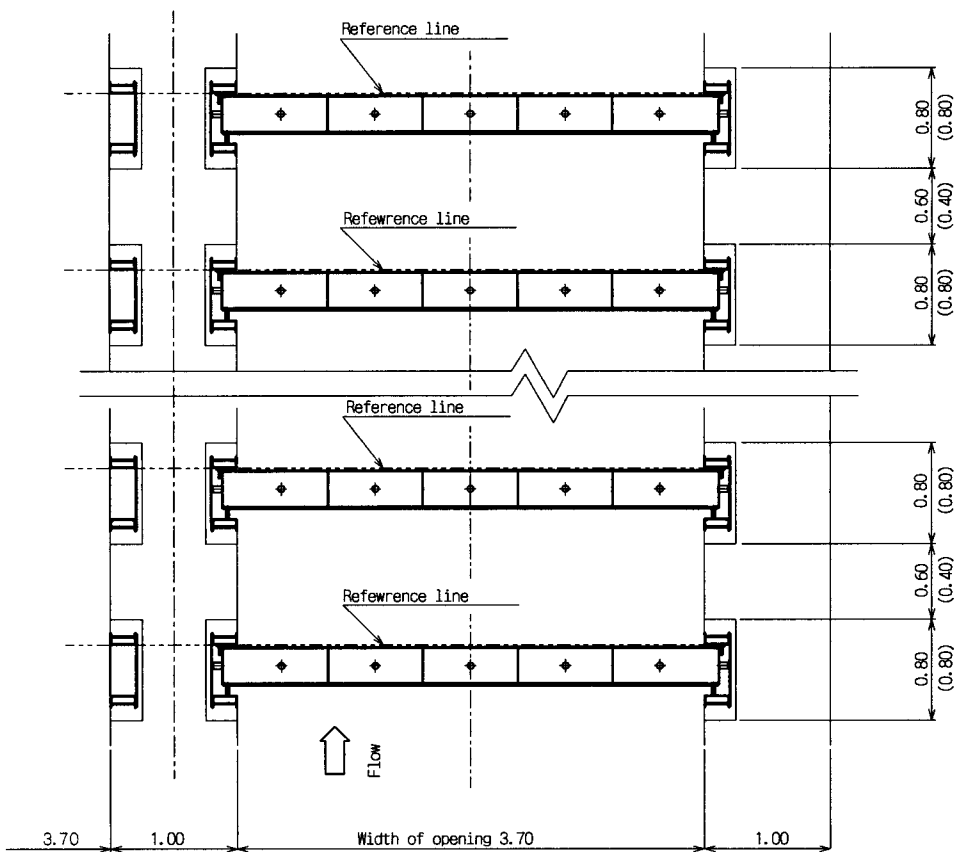


2. For location of sections B-B to E-E, see Dwg. No. CCL-176.

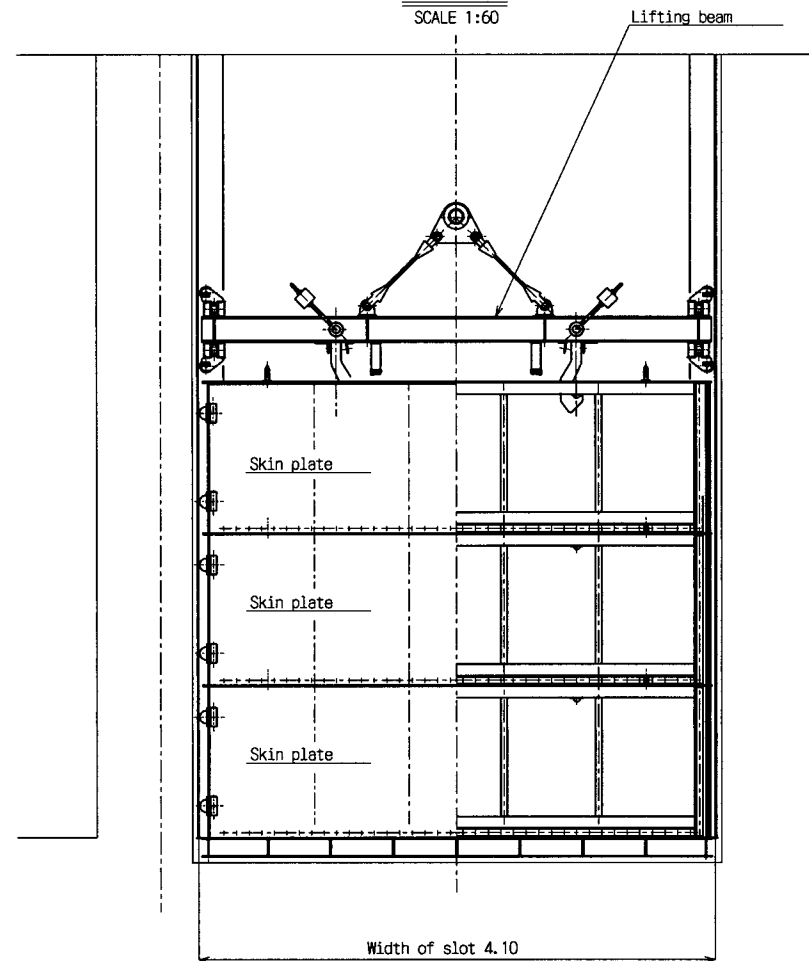
THE ARAB REPUBLIC OF EGYPT MINISTRY OF WATER RESOURCES AND IRRIGATION NORTH SINAI DEVELOPMENT ORGANIZATION THE NORTH SINAI INTEGRATED RURAL DEVELOPMENT PROJECT (PHASE III)	
CONVEYANCE SYSTEM OF EL SHEIKH GABER EL SABBABH CANAL BETWEEN KM 86.500 AND KM 108.466 BOX CULVERT OPENINGS (2)-(8) SECTIONS	
JAPAN INTERNATIONAL COOPERATION AGENCY (JICA) SANYU CONSULTANTS INC, PACIFIC CONSULTANTS INTERNATIONAL	
DESIGNED	
TRACED	
CHECKED	
APPROVED	
DRAWING NO.	CCL-177



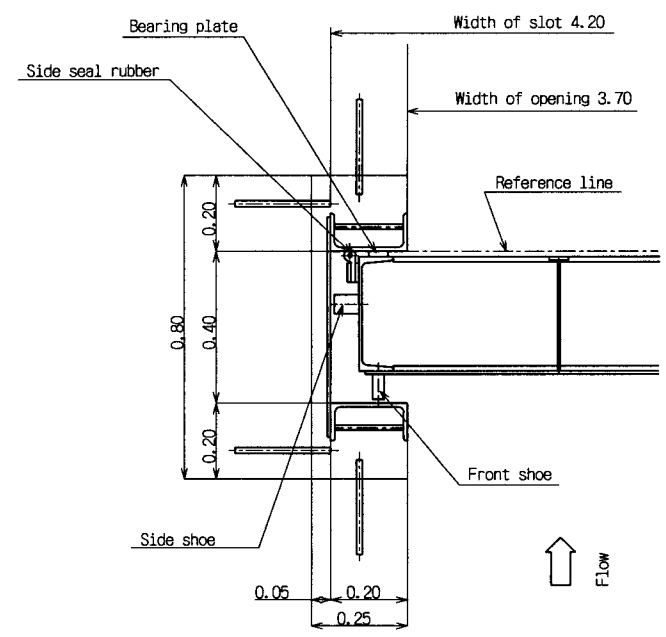
THE ARAB REPUBLIC OF EGYPT MINISTRY OF WATER RESOURCES AND IRRIGATION NORTH SINAI DEVELOPMENT ORGANIZATION	
THE NORTH SINAI INTEGRATED RURAL DEVELOPMENT PROJECT (PHASE III)	
CONVEYANCE SYSTEM OF EL SHEIKH GABER EL SABBABH CANAL BETWEEN KM 86.500 AND KM 108.466	
BOX CULVERT OPENINGS(2)-(8) REINFORCEMENTS	
JAPAN INTERNATIONAL COOPERATION AGENCY(JICA) SANYU CONSULTANTS INC, PACIFIC CONSULTANTS INTERNATIONAL	
DESIGNED	
TRACED	
CHECKED	
APPROVED	
DRAWING NO.	CCL-178



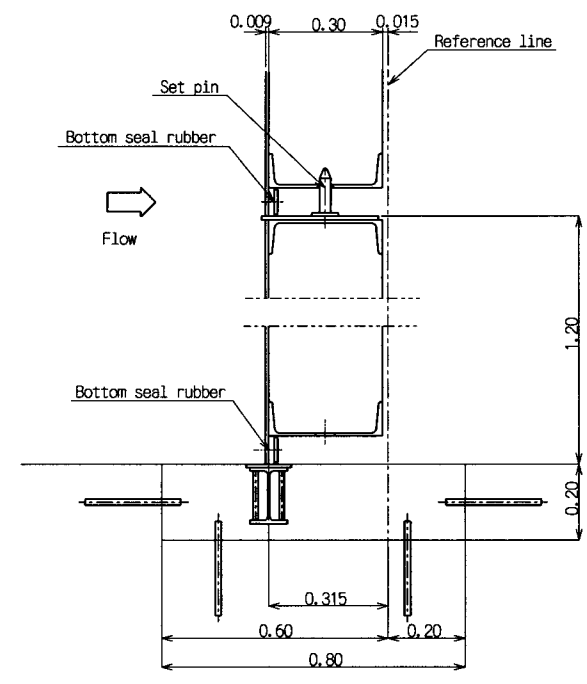
PLAN
SCALE 1:60



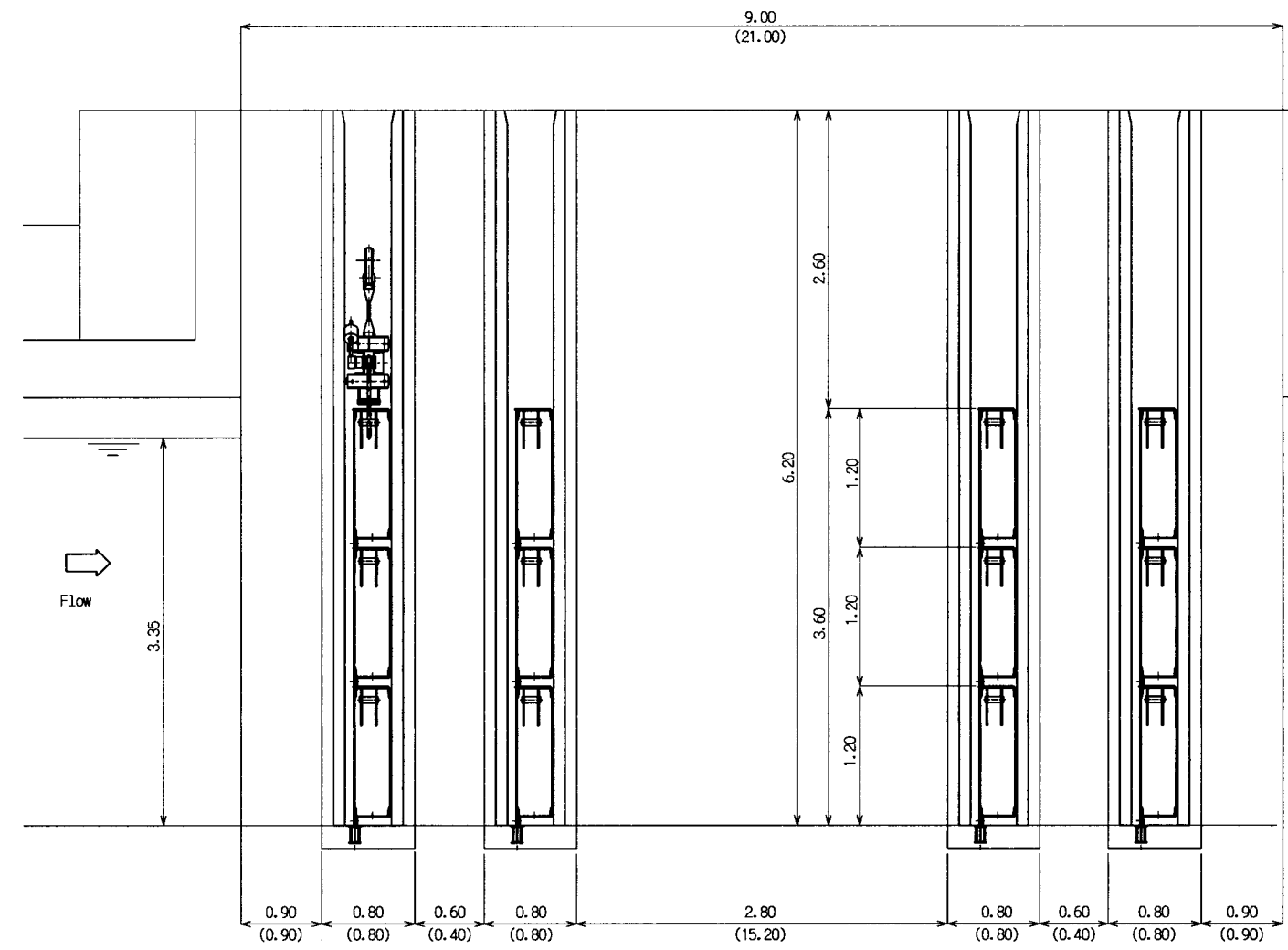
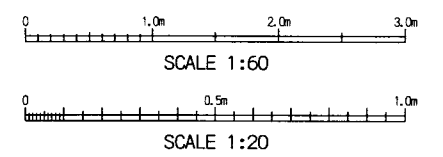
ELEVATION
SCALE 1:60



DETAIL OF SLOT
SCALE 1:20



DETAIL OF TOP AND BOTTOM
SCALE 1:20



PROFILE
SCALE 1:60

DESIGN DATA

Type	Stop log
Clear span	3.70m
Long height	1.20m×3
Design head	3.35m
Water seal	3 edges
	Seal rubber

NOTE: Figures put in parentheses are applied only for Opening(1).

THE ARAB REPUBLIC OF EGYPT
MINISTRY OF WATER RESOURCES AND IRRIGATION
NORTH SINAI DEVELOPMENT ORGANIZATION

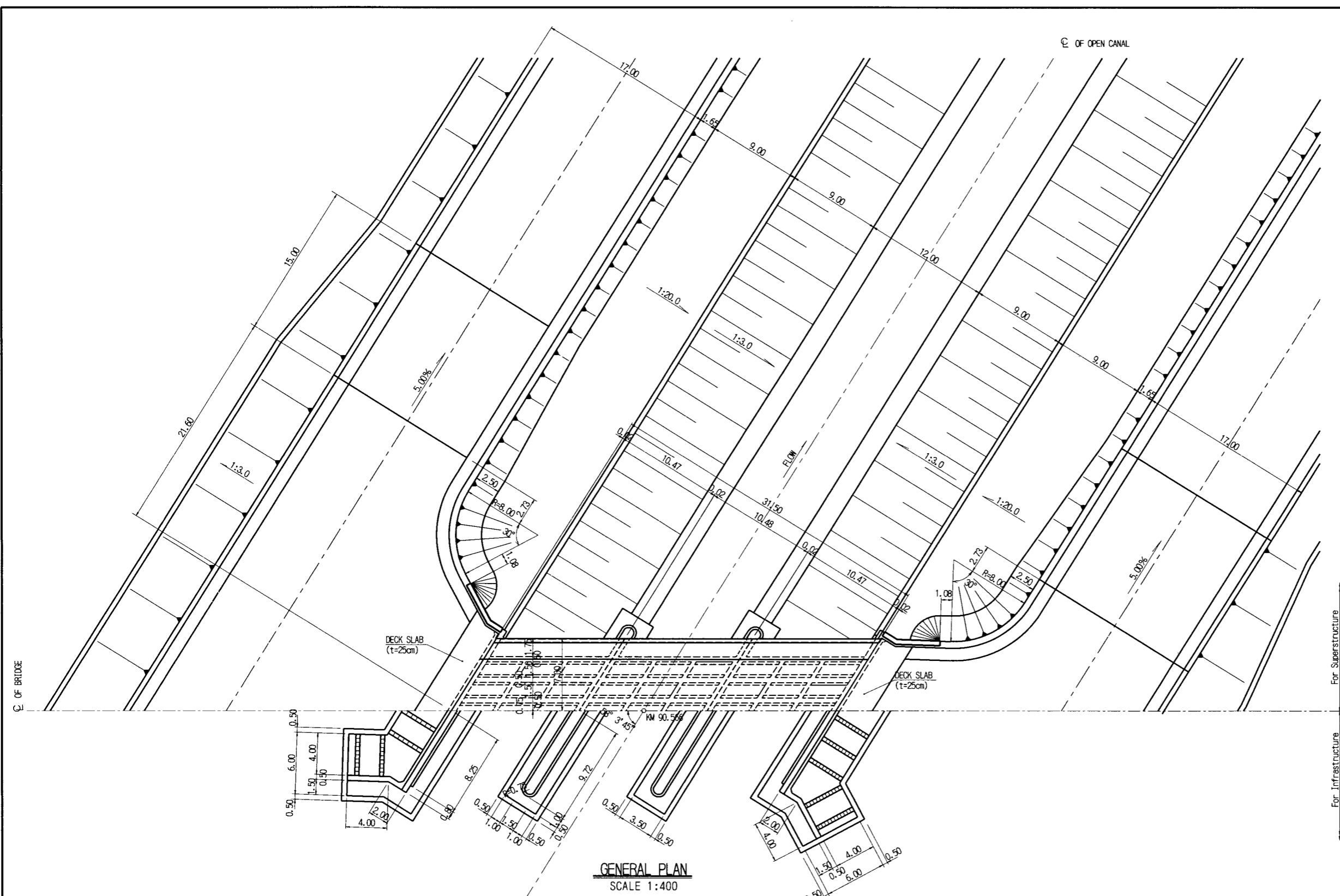
THE NORTH SINAI INTEGRATED RURAL
DEVELOPMENT PROJECT (PHASE III)

CONVEYANCE SYSTEM OF EL SHEIKH GABER EL SABBAAH CANAL
BETWEEN KM 86.500 AND KM 108.466

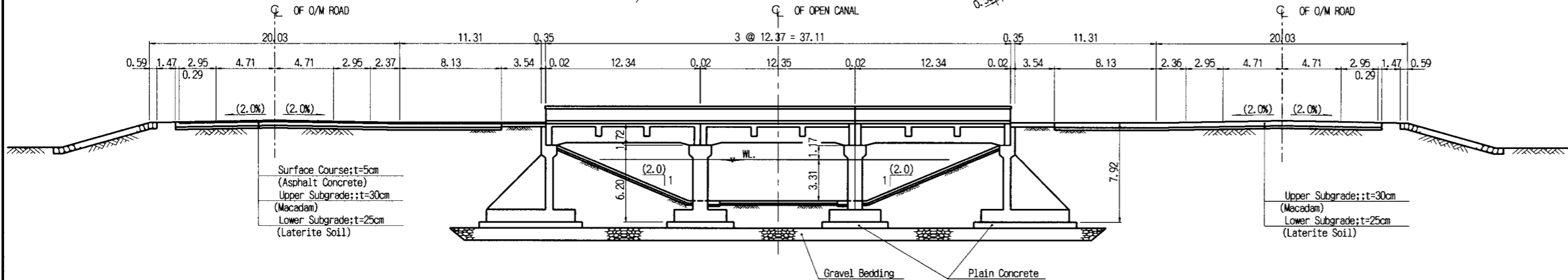
**BOX CULVERT
OPENINGS
STOP LOGS**

JAPAN INTERNATIONAL COOPERATION AGENCY (JICA)
SANYU CONSULTANTS INC, PACIFIC CONSULTANTS INTERNATIONAL

DESIGNED	
TRACED	
CHECKED	
APPROVED	
DRAWING NO.	CCL-179



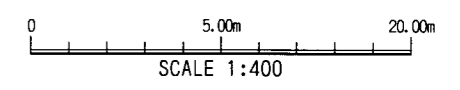
GENERAL PLAN
SCALE 1:400



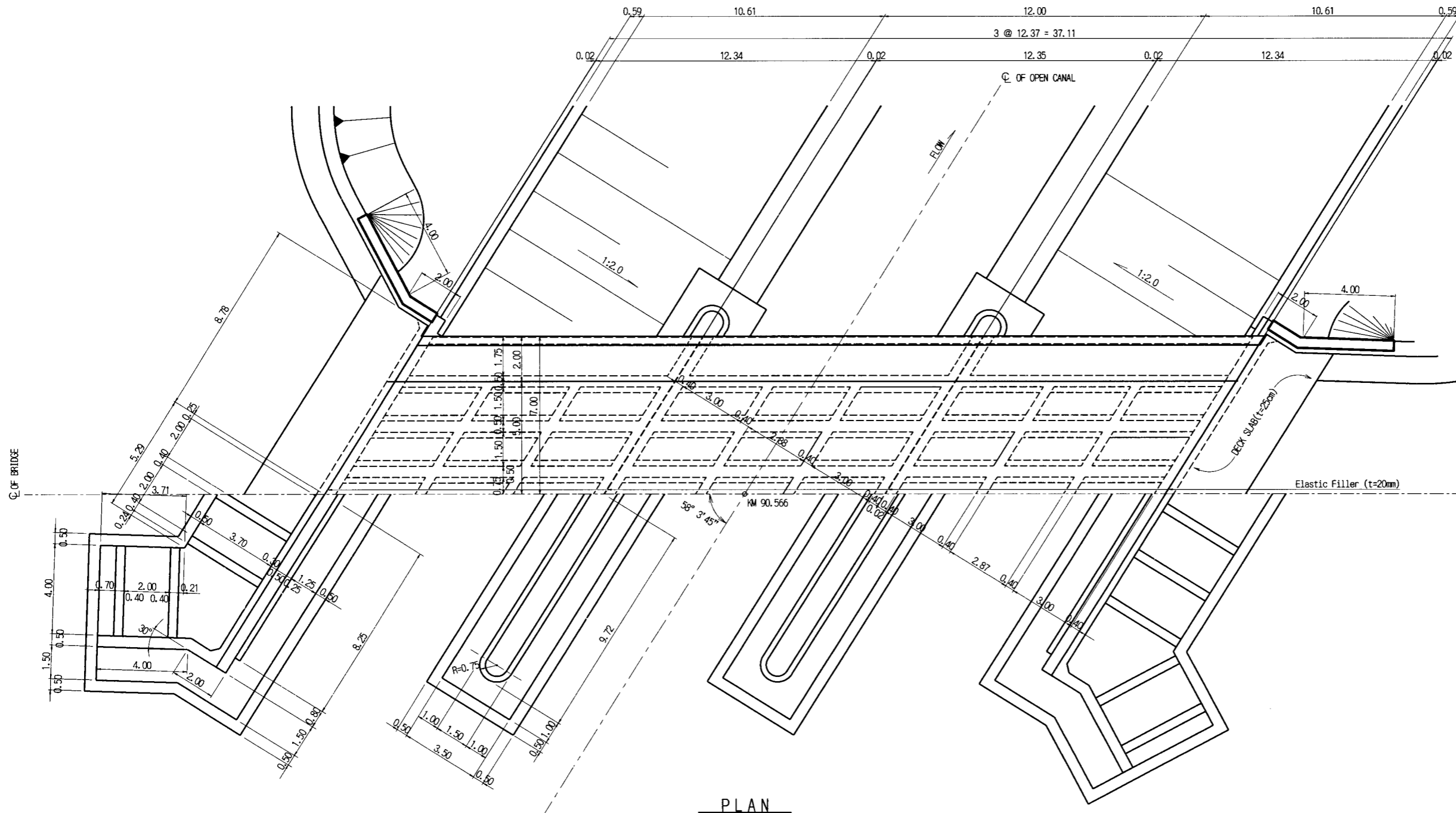
GENERAL ELEVATION
SCALE 1:400

NOTES:

1. This drawing scale is as follows:



THE ARAB REPUBLIC OF EGYPT MINISTRY OF WATER RESOURCES AND IRRIGATION NORTH SINAI DEVELOPMENT ORGANIZATION	
THE NORTH SINAI INTEGRATED RURAL DEVELOPMENT PROJECT (PHASE III)	
CONVEYANCE SYSTEM OF EL SHEIKH GABER EL SABBABH CANAL BETWEEN KM 86.500 AND KM 108.466	
NO. 1 BRIDGE GENERAL PLAN AND ELEVATION	
JAPAN INTERNATIONAL COOPERATION AGENCY (JICA) SANYU CONSULTANTS INC, PACIFIC CONSULTANTS INTERNATIONAL	
DESIGNED	
TRACED	
CHECKED	
APPROVED	
DRAWING NO.	CCL-180



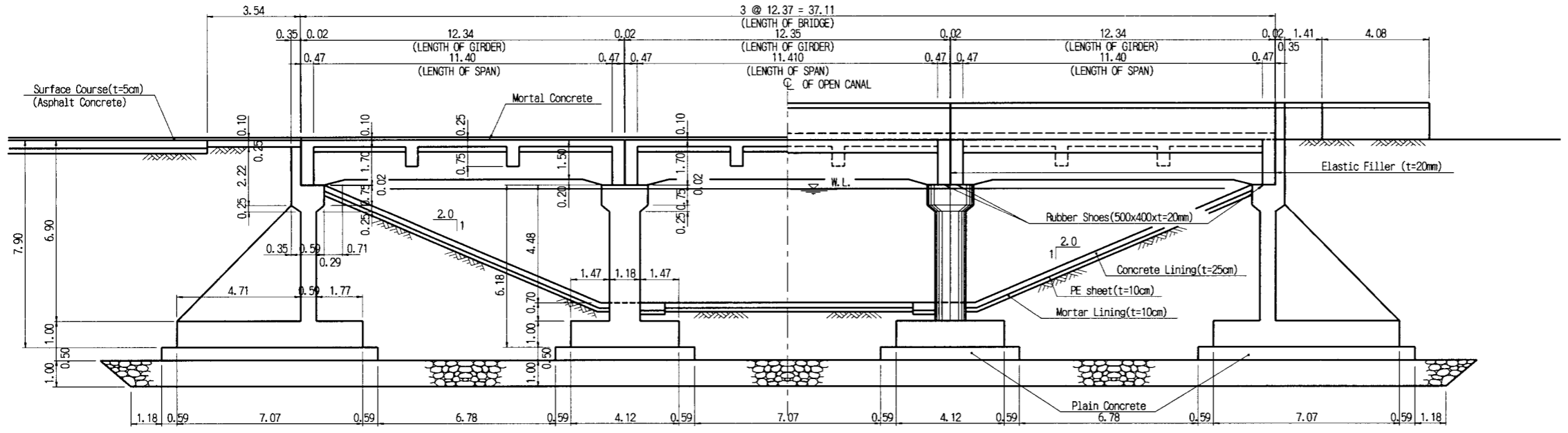
NOTES:

1. This drawing scale is as follows:

0 5.00m 10.00m

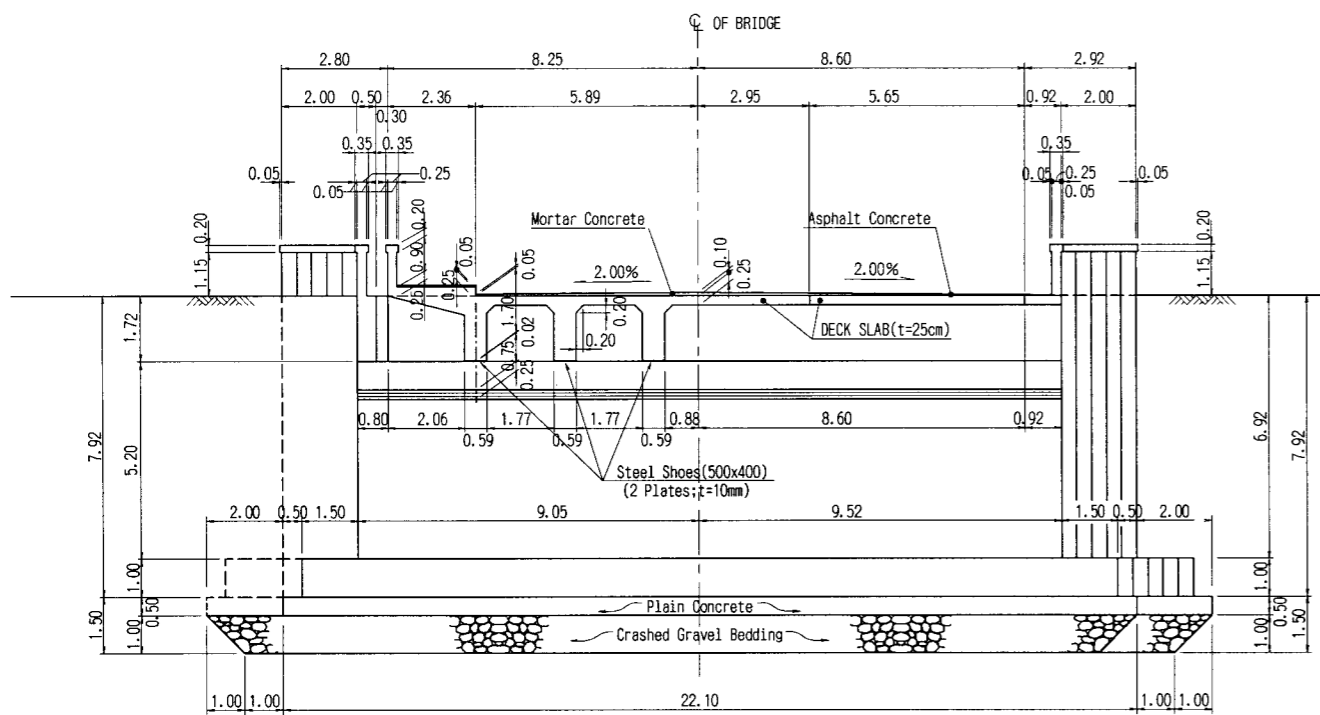
SCALE 1:200

PLAN
SCALE 1:200

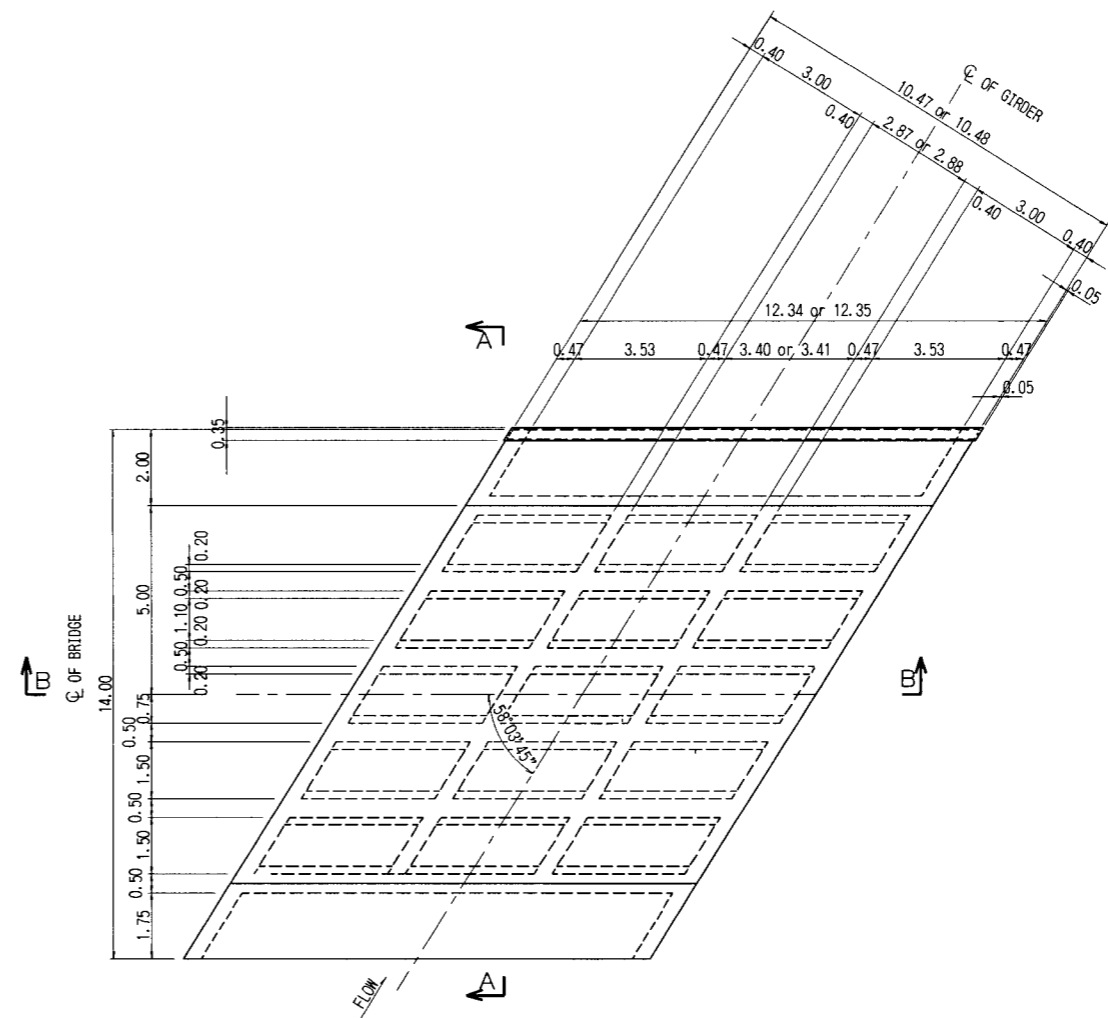


ELEVATION
SCALE 1:200

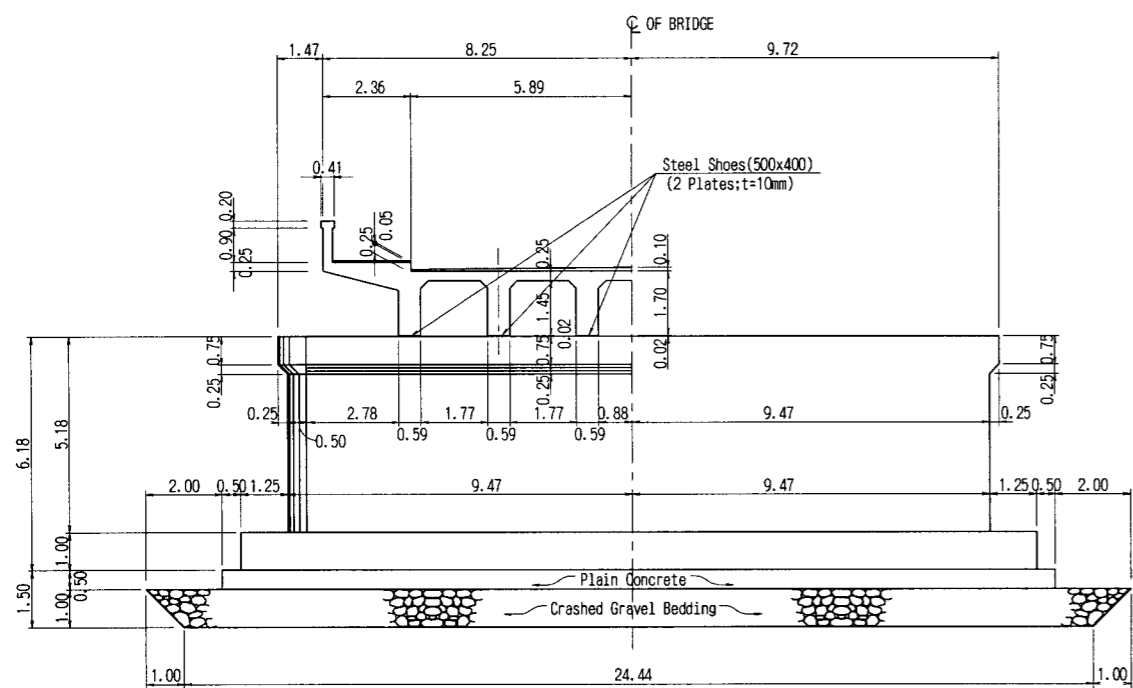
THE ARAB REPUBLIC OF EGYPT MINISTRY OF WATER RESOURCES AND IRRIGATION NORTH SINAI DEVELOPMENT ORGANIZATION	
THE NORTH SINAI INTEGRATED RURAL DEVELOPMENT PROJECT (PHASE III)	
CONVEYANCE SYSTEM OF EL SHEIKH GABER EL SABBABH CANAL BETWEEN KM 86.500 AND KM 108.466	
NO.1 BRIDGE	
DETAILED PLAN AND ELEVATION	
JAPAN INTERNATIONAL COOPERATION AGENCY(JICA) SANYU CONSULTANTS INC, PACIFIC CONSULTANTS INTERNATIONAL	
DESIGNED	
TRACED	
CHECKED	
APPROVED	
DRAWING NO.	CCL-181



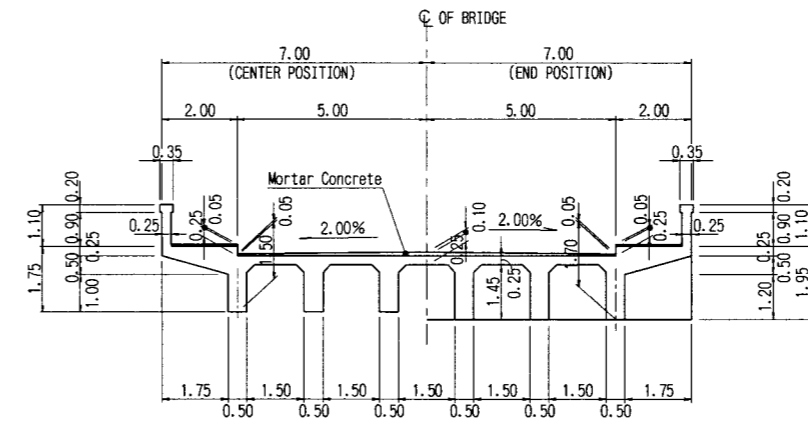
ELEVATION OF ABUTMENT
SCALE 1:200



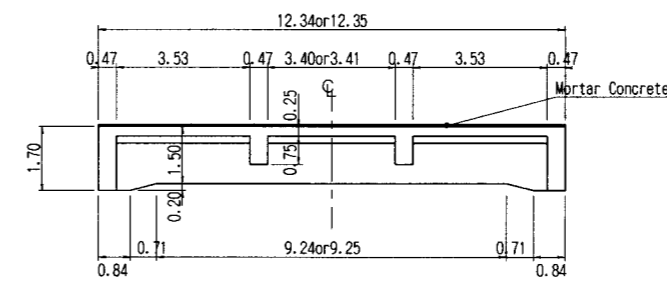
PLAN OF SUPERSTRUCTURE
SCALE 1:200



ELEVATION OF PIER
SCALE 1:200



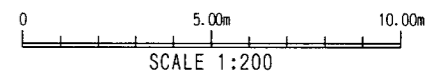
SECTION A-A
SCALE 1:200



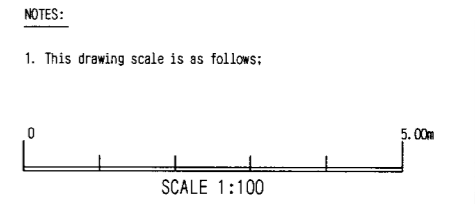
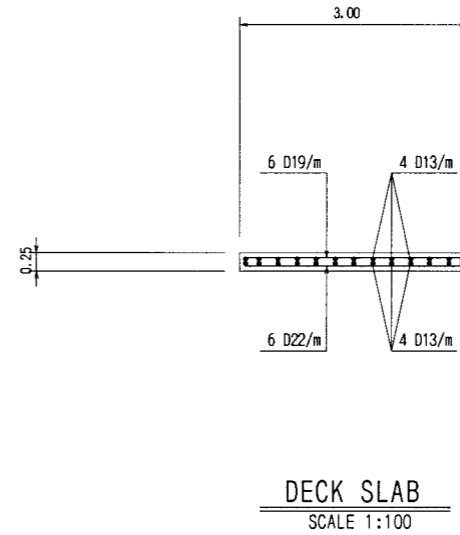
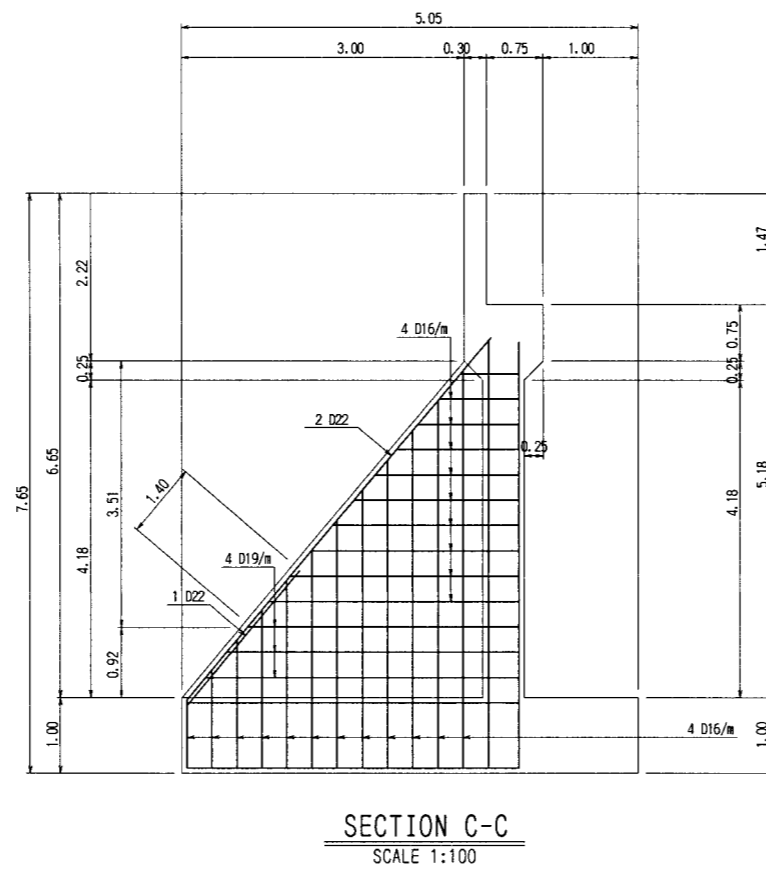
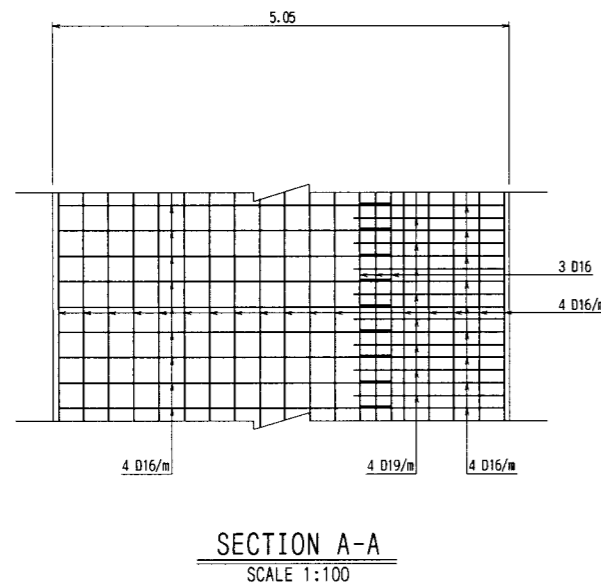
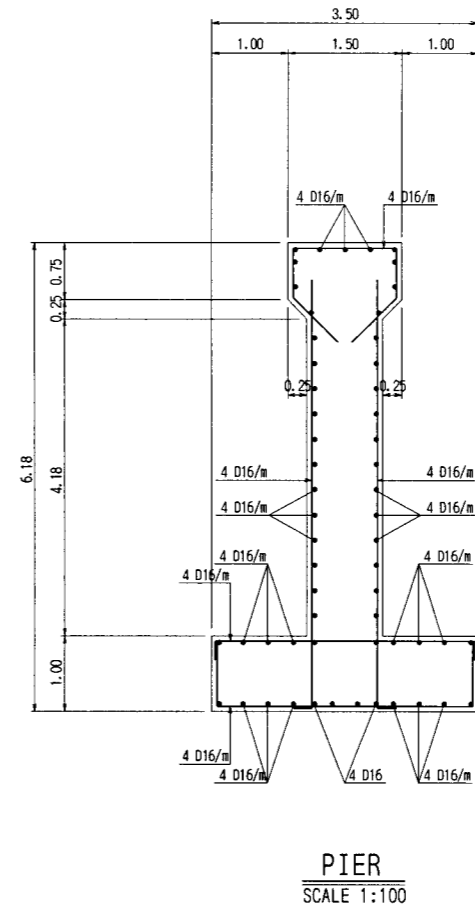
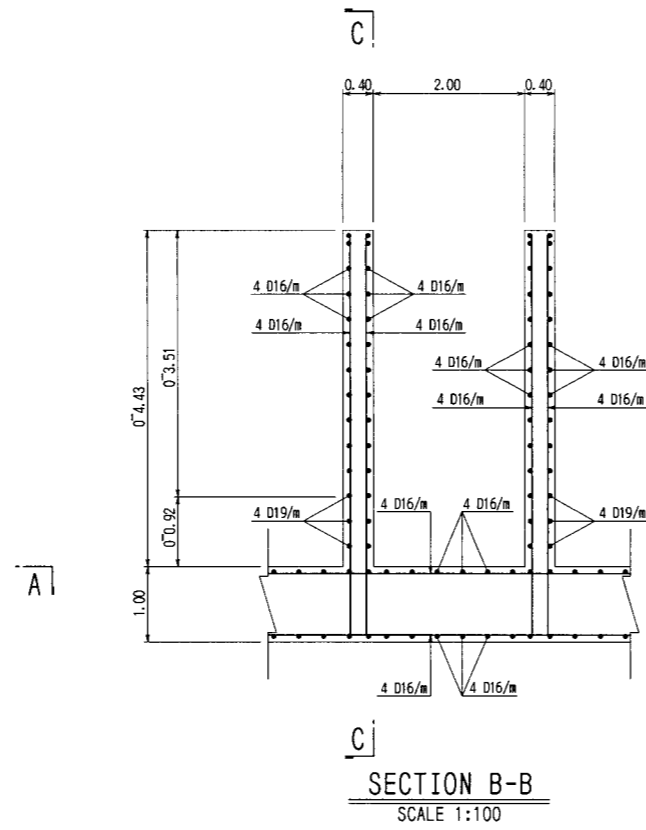
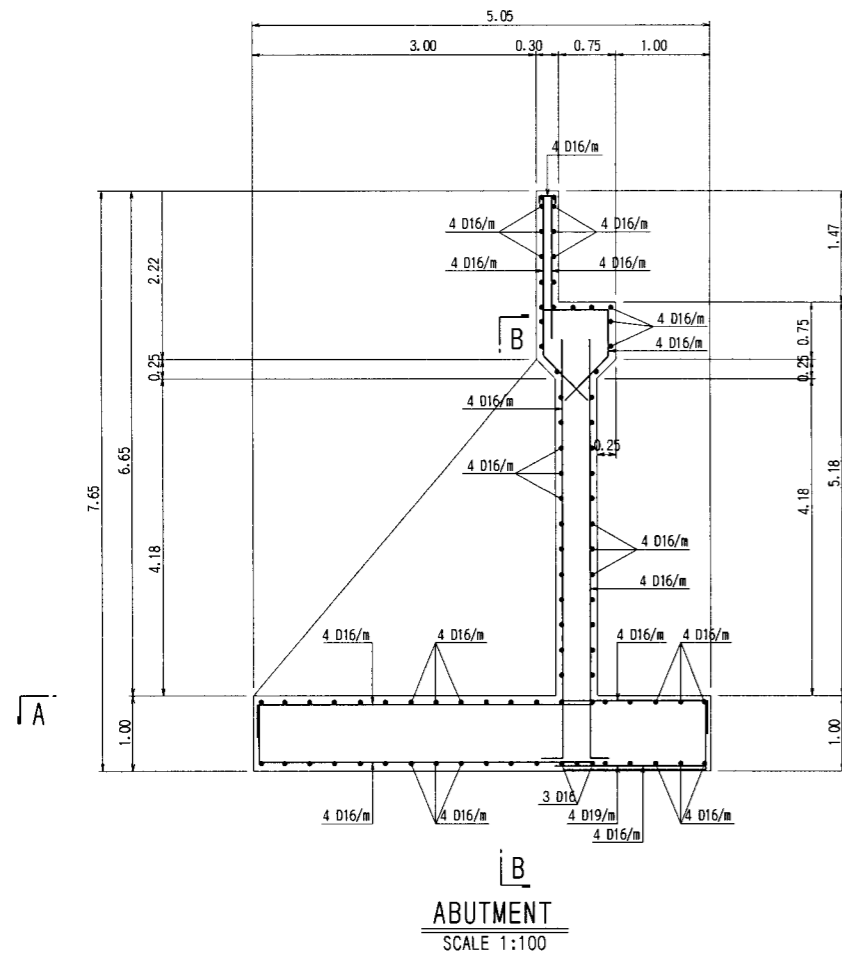
SECTION B-B
SCALE 1:200

NOTES:

1. This drawing scale is as follows:



THE ARAB REPUBLIC OF EGYPT MINISTRY OF WATER RESOURCES AND IRRIGATION NORTH SINAI DEVELOPMENT ORGANIZATION	
THE NORTH SINAI INTEGRATED RURAL DEVELOPMENT PROJECT (PHASE III)	
CONVEYANCE SYSTEM OF EL SHEIKH GABER EL SABBAH CANAL BETWEEN KM 86.500 AND KM 108.466	
NO.1 BRIDGE DETAILED SECTIONS	
JAPAN INTERNATIONAL COOPERATION AGENCY(JICA) SANYU CONSULTANTS INC, PACIFIC CONSULTANTS INTERNATIONAL	
DESIGNED	
TRACED	
CHECKED	
APPROVED	
DRAWING NO.	CCL-182

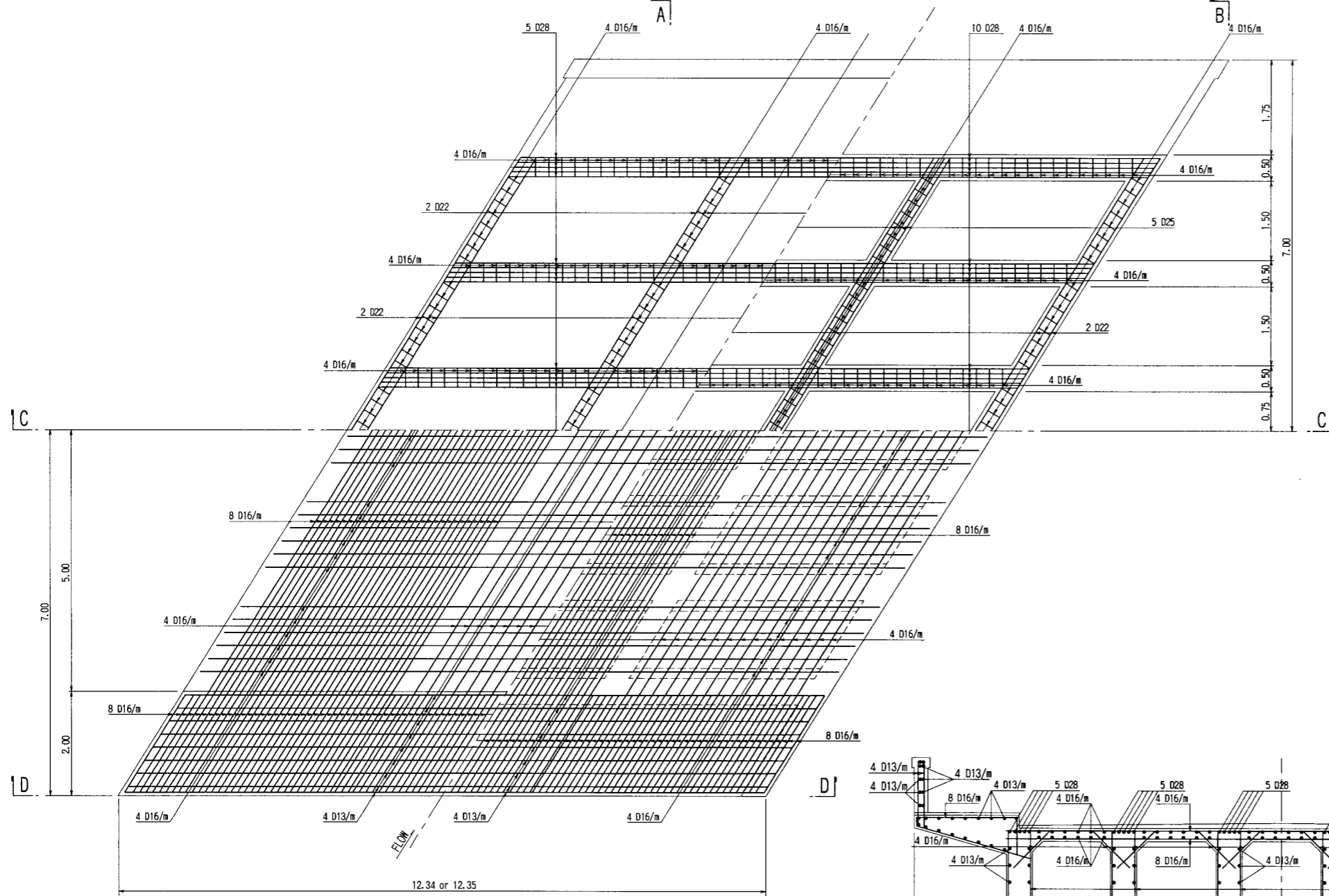


THE ARAB REPUBLIC OF EGYPT MINISTRY OF WATER RESOURCES AND IRRIGATION NORTH SINAI DEVELOPMENT ORGANIZATION	
THE NORTH SINAI INTEGRATED RURAL DEVELOPMENT PROJECT (PHASE III)	
CONVEYANCE SYSTEM OF EL SHEIKH GABER EL SABBABH CANAL BETWEEN KM 86.500 AND KM 108.466	
NO.1 BRIDGE INFRASTRUCTURE REINFORCEMENT	
JAPAN INTERNATIONAL COOPERATION AGENCY (JICA) SANYU CONSULTANTS INC, PACIFIC CONSULTANTS INTERNATIONAL	
DESIGNED	
TRACED	
CHECKED	
APPROVED	
DRAWING NO.	CCL-183

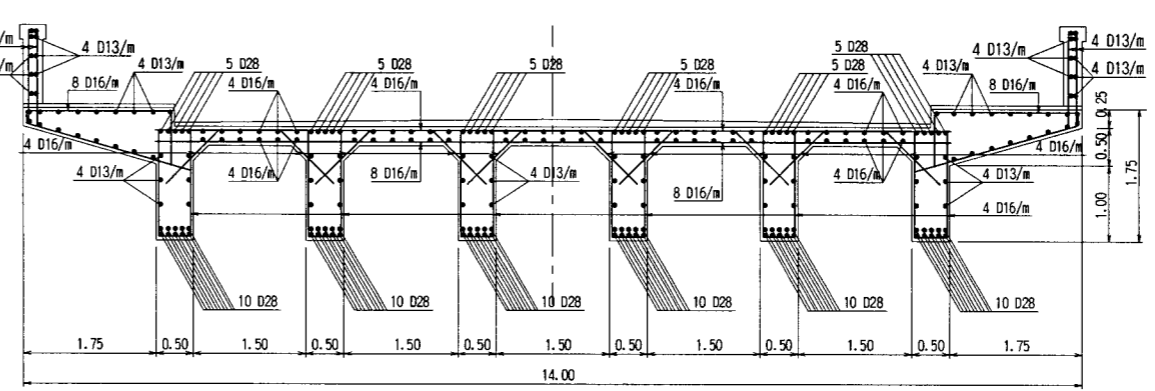
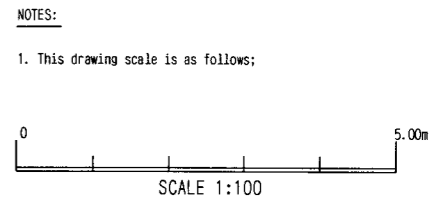
GIRDER AND BEAM

UPPER

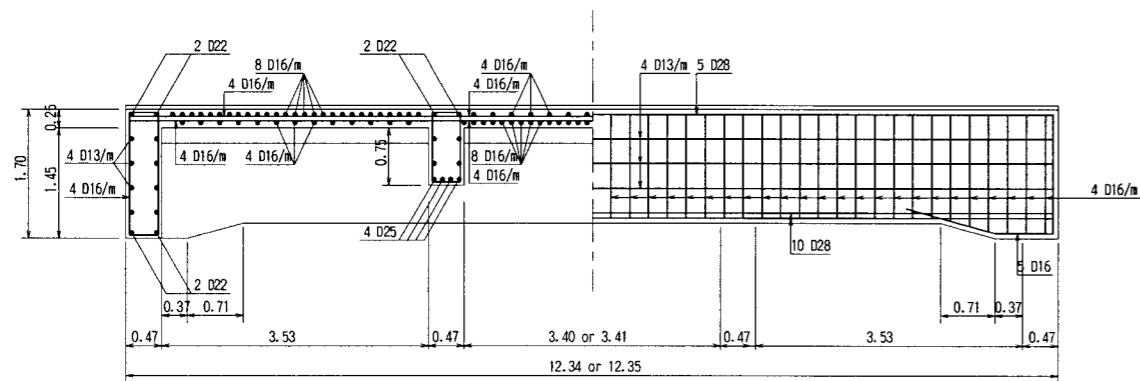
DOWN



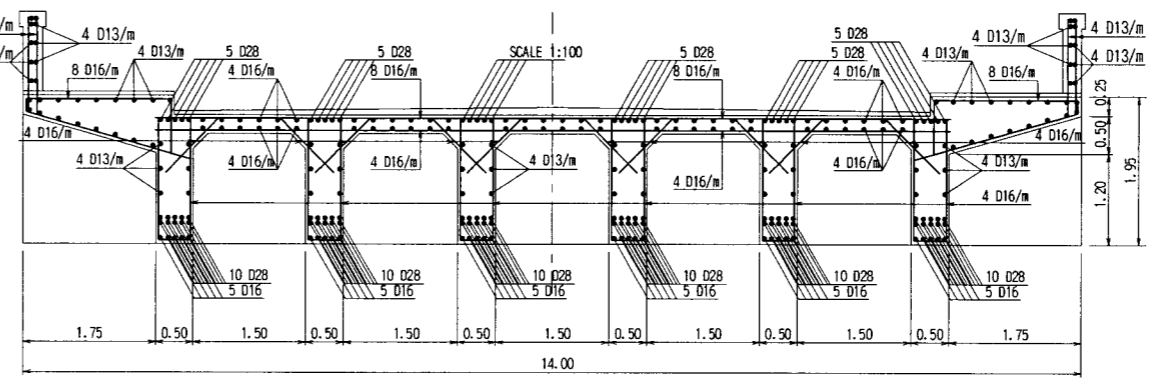
UPPER
SLAB
PLAN
SCALE 1:100



SECTION A-A
SCALE 1:100



SECTION C-C
SCALE 1:100



SECTION B-B
SCALE 1:100

SECTION D-D
SCALE 1:100

THE ARAB REPUBLIC OF EGYPT MINISTRY OF WATER RESOURCES AND IRRIGATION NORTH SINAI DEVELOPMENT ORGANIZATION	
THE NORTH SINAI INTEGRATED RURAL DEVELOPMENT PROJECT (PHASE III)	
CONVEYANCE SYSTEM OF EL SHEIKH GABER EL SABBABH CANAL BETWEEN KM 86.500 AND KM 108.466	
NO.1 BRIDGE SUPERSTRUCTURE REINFORCEMENT	
JAPAN INTERNATIONAL COOPERATION AGENCY(JICA) SANYU CONSULTANTS INC. PACIFIC CONSULTANTS INTERNATIONAL	
DESIGNED	
TRACED	
CHECKED	
APPROVED	
DRAWING NO.	CCL-184