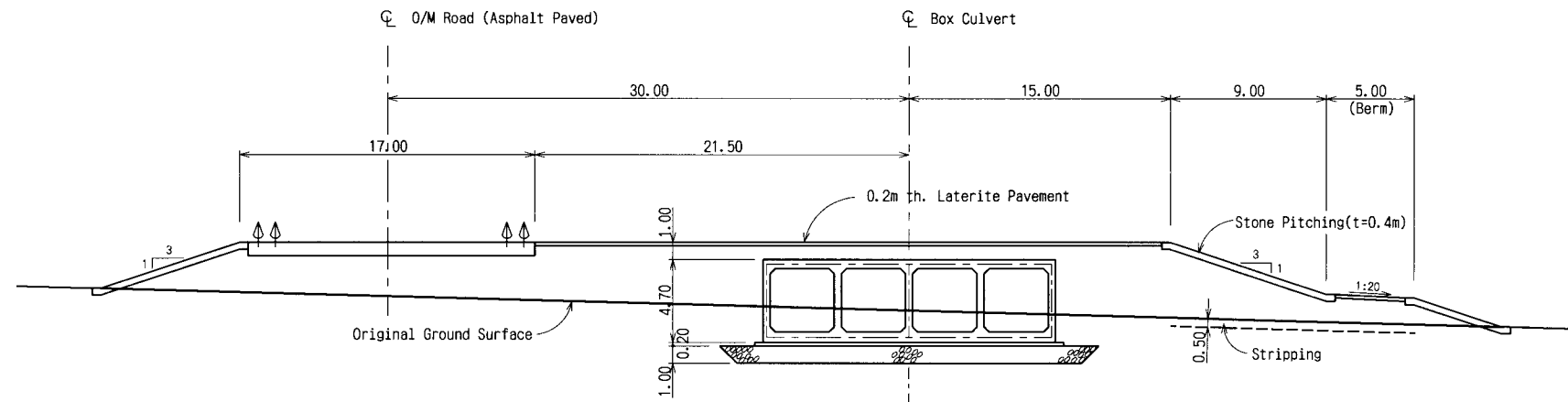
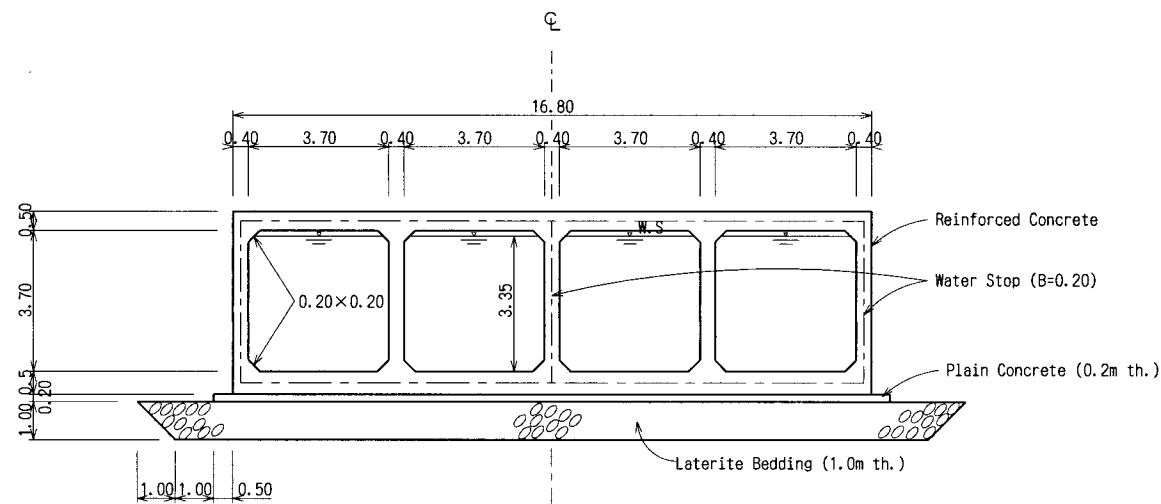


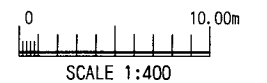
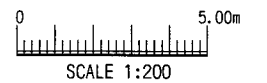
TYPICAL SECTION OF BOX CULVERT (CUT SECTION)  
SCALE 1:400



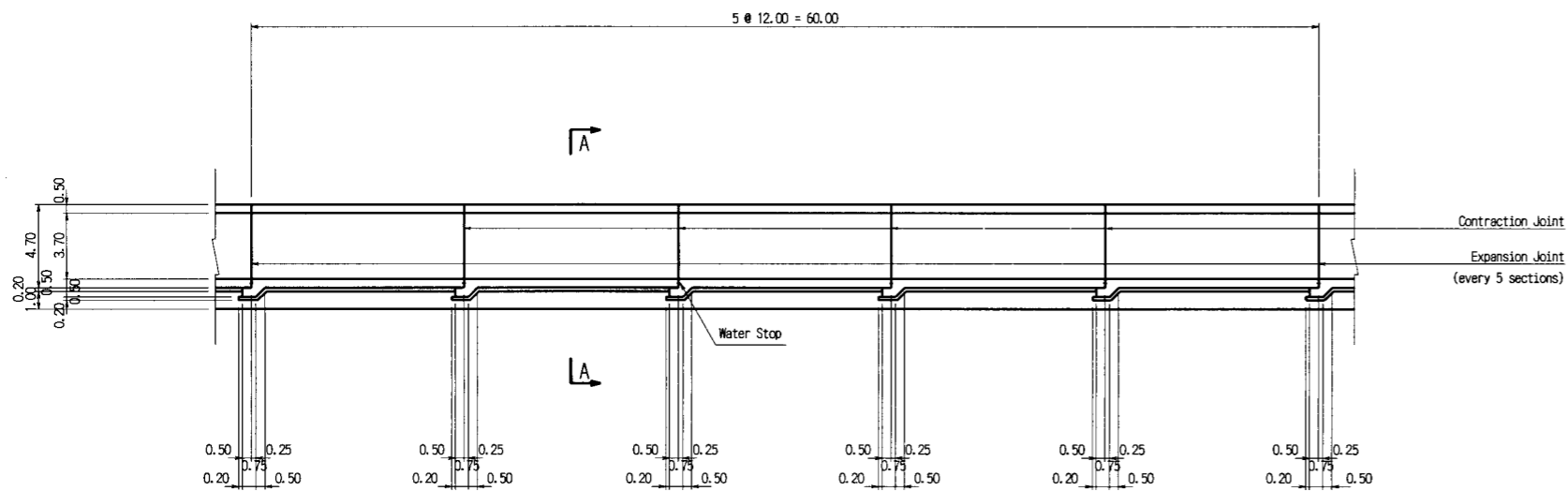
TYPICAL SECTION OF BOX CULVERT (FILL SECTION)  
SCALE 1:400



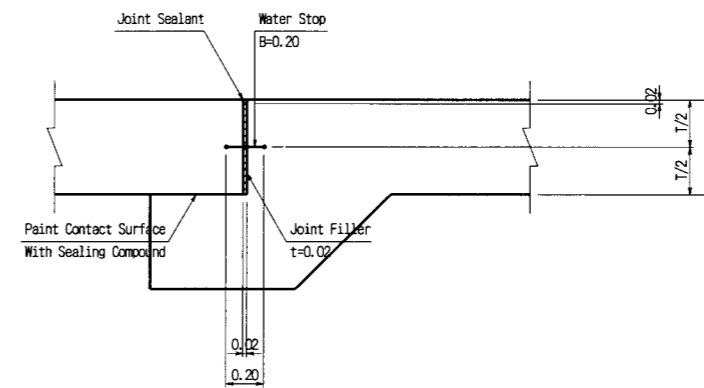
FOUR-CELL BOX  
SCALE 1:200



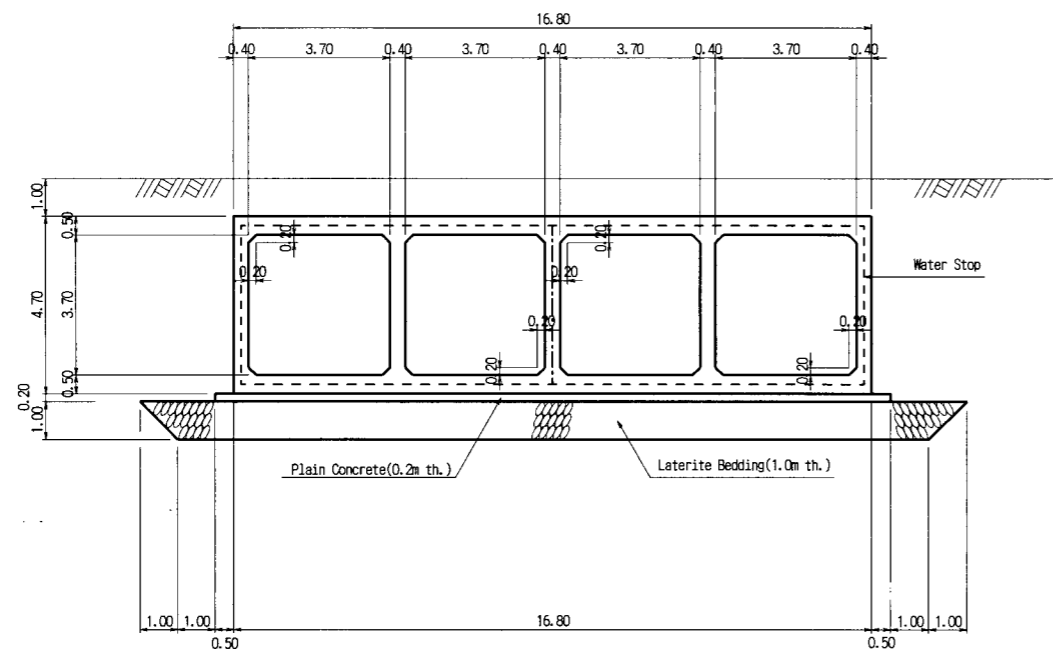
THE ARAB REPUBLIC OF EGYPT MINISTRY OF WATER RESOURCES AND IRRIGATION NORTH SINAI DEVELOPMENT ORGANIZATION	
THE NORTH SINAI INTEGRATED RURAL DEVELOPMENT PROJECT (PHASE III)	
CONVEYANCE SYSTEM OF EL SHEIKH GABER EL SABBABH CANAL BETWEEN KM 86.500 AND KM 108.466	
BOX CULVERT TYPICAL SECTIONS	
JAPAN INTERNATIONAL COOPERATION AGENCY (JICA) SANYU CONSULTANTS INC, PACIFIC CONSULTANTS INTERNATIONAL	
DESIGNED	
TRACED	
CHECKED	
APPROVED	
DRAWING NO.	CCL-165



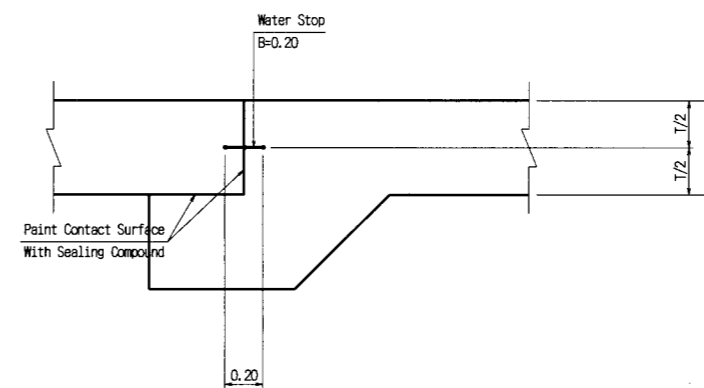
TYPICAL LONGITUDINAL SECTION  
SCALE 1:400



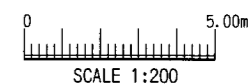
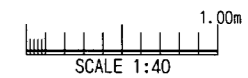
DETAIL OF EXPANSION JOINT  
SCALE 1:40



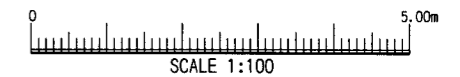
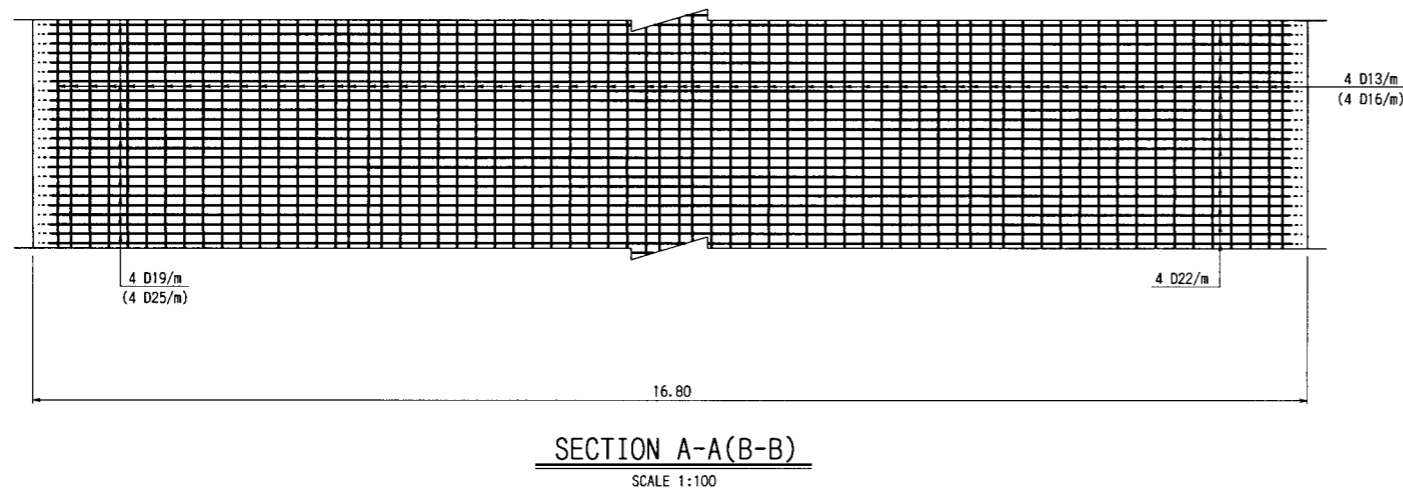
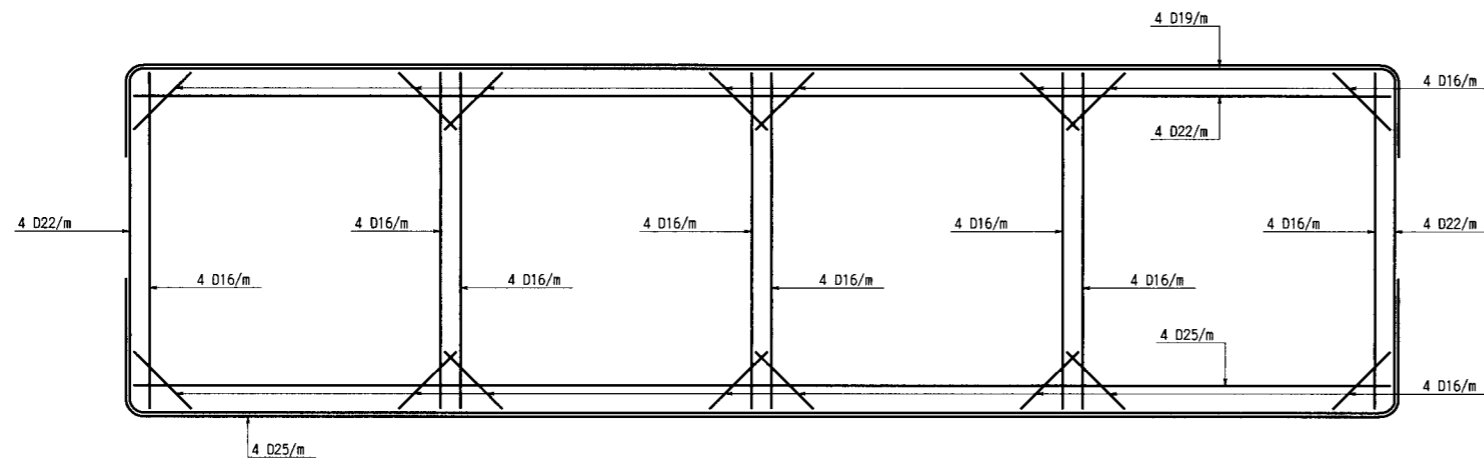
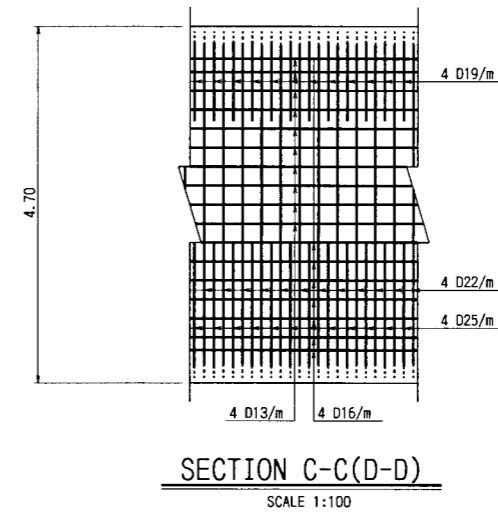
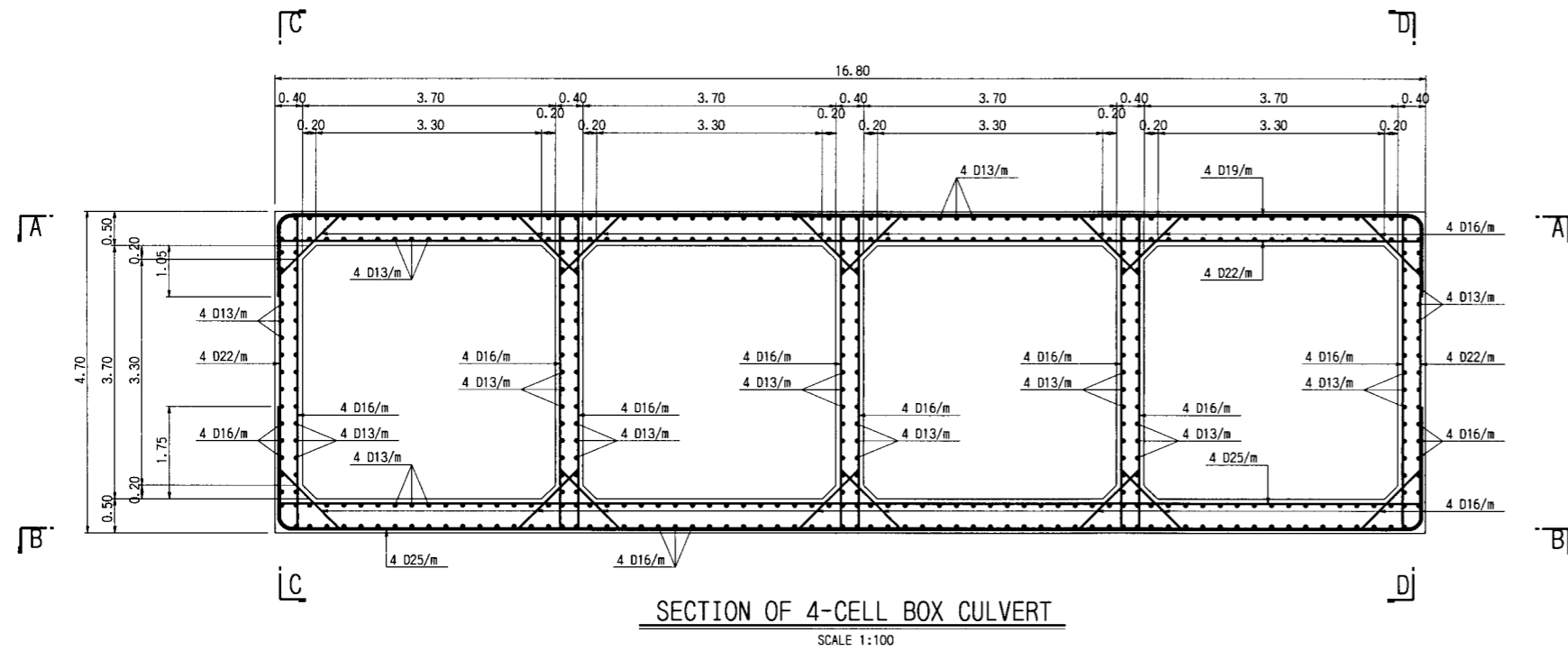
SECTION A-A  
SCALE 1:200



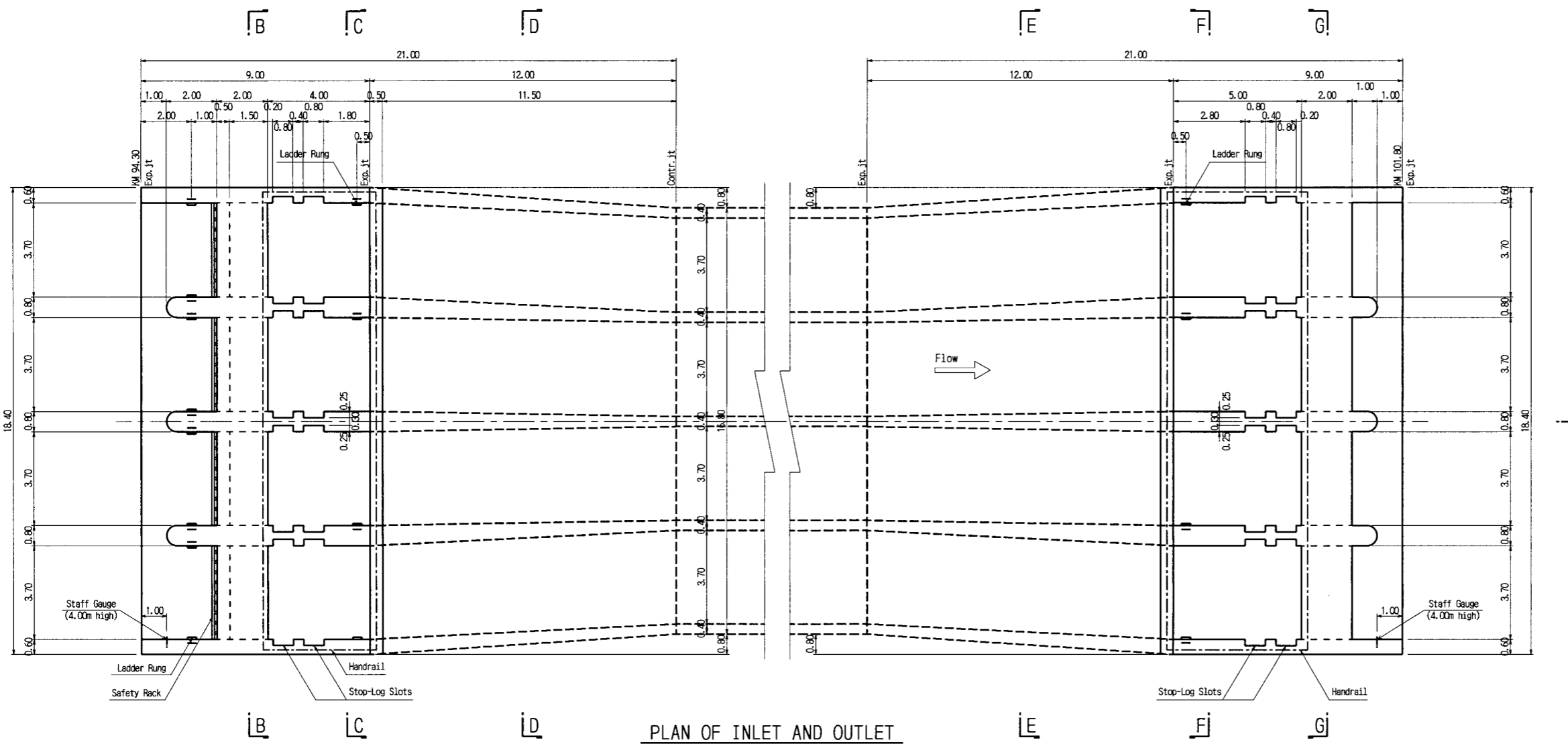
DETAIL OF CONTRACTION JOINT  
SCALE 1:40



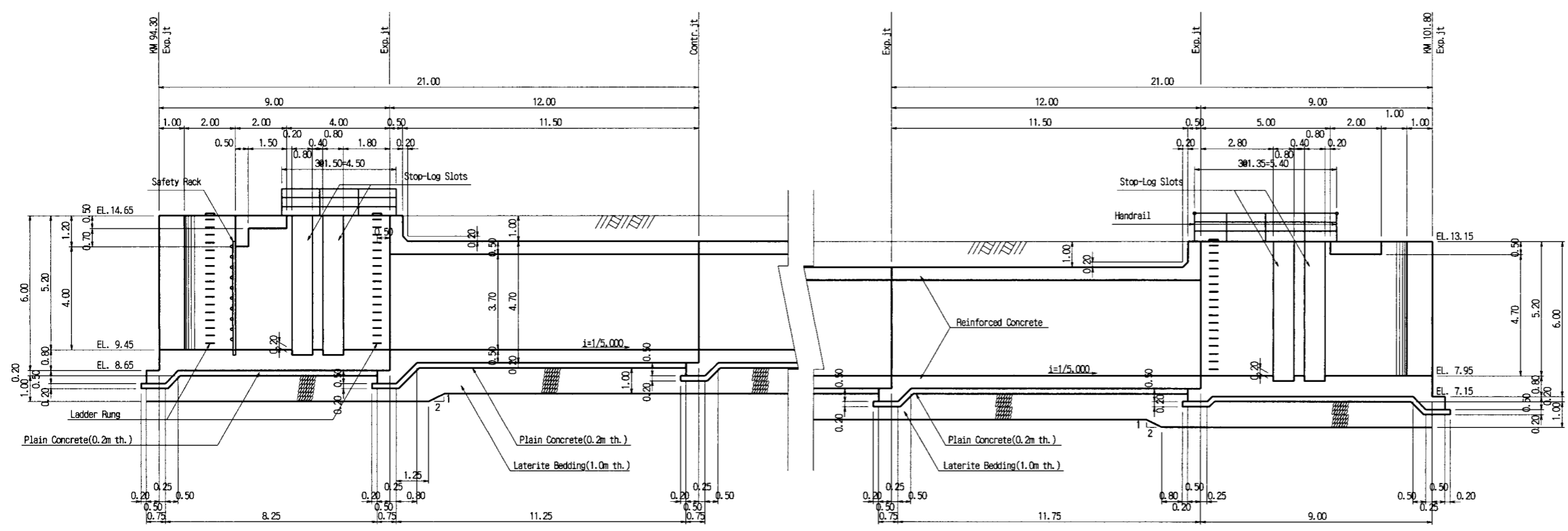
THE ARAB REPUBLIC OF EGYPT MINISTRY OF WATER RESOURCES AND IRRIGATION NORTH SINAI DEVELOPMENT ORGANIZATION	
THE NORTH SINAI INTEGRATED RURAL DEVELOPMENT PROJECT (PHASE III)	
CONVEYANCE SYSTEM OF EL SHEIKH GABER EL SABBABH CANAL BETWEEN KM 86.500 AND KM 108.466	
BOX CULVERT DETAIL OF JOINTS	
JAPAN INTERNATIONAL COOPERATION AGENCY (JICA) SANYU CONSULTANTS INC, PACIFIC CONSULTANTS INTERNATIONAL	
DESIGNED	
TRACED	
CHECKED	
APPROVED	
DRAWING NO.	CCL-166



THE ARAB REPUBLIC OF EGYPT MINISTRY OF WATER RESOURCES AND IRRIGATION NORTH SINAI DEVELOPMENT ORGANIZATION	
THE NORTH SINAI INTEGRATED RURAL DEVELOPMENT PROJECT (PHASE III)	
CONVEYANCE SYSTEM OF EL SHEIKH GABER EL SABBAAH CANAL BETWEEN KM 86.500 AND KM 108.466	
BOX CULVERT REINFORCEMENTS	
JAPAN INTERNATIONAL COOPERATION AGENCY(JICA) SANYU CONSULTANTS INC, PACIFIC CONSULTANTS INTERNATIONAL	
DESIGNED	
TRACED	
CHECKED	
APPROVED	
DRAWING NO.	CCL-167

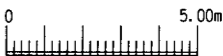


PLAN OF INLET AND OUTLET  
SCALE 1:200

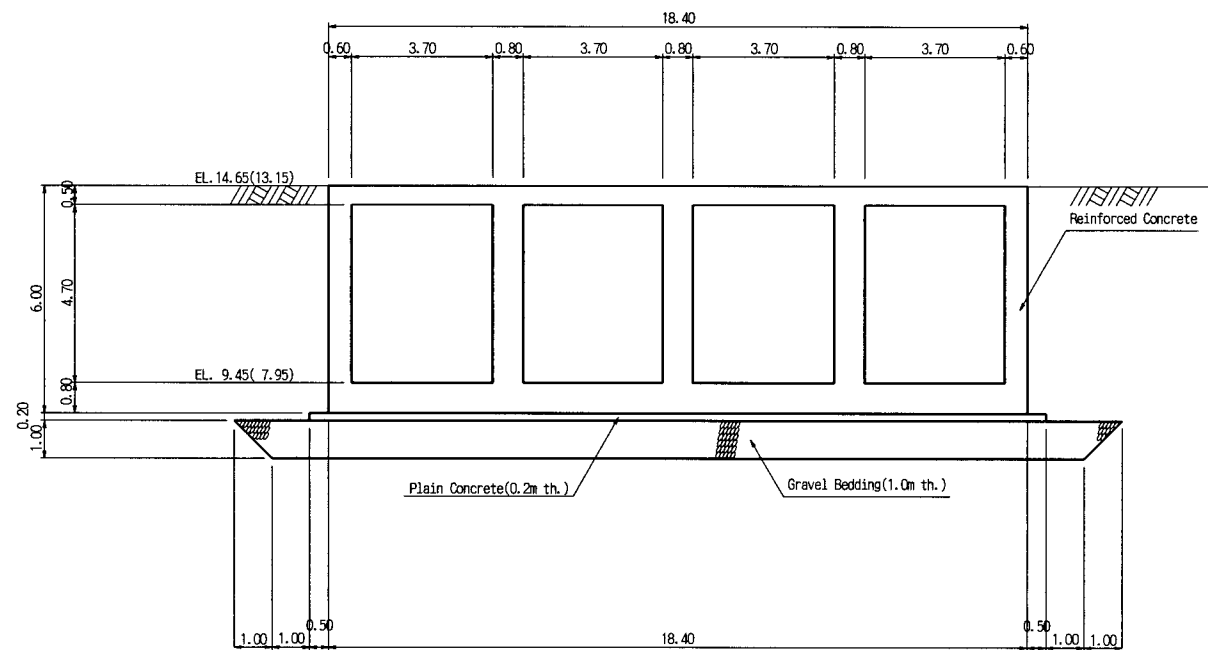


SECTION A-A  
SCALE 1:200

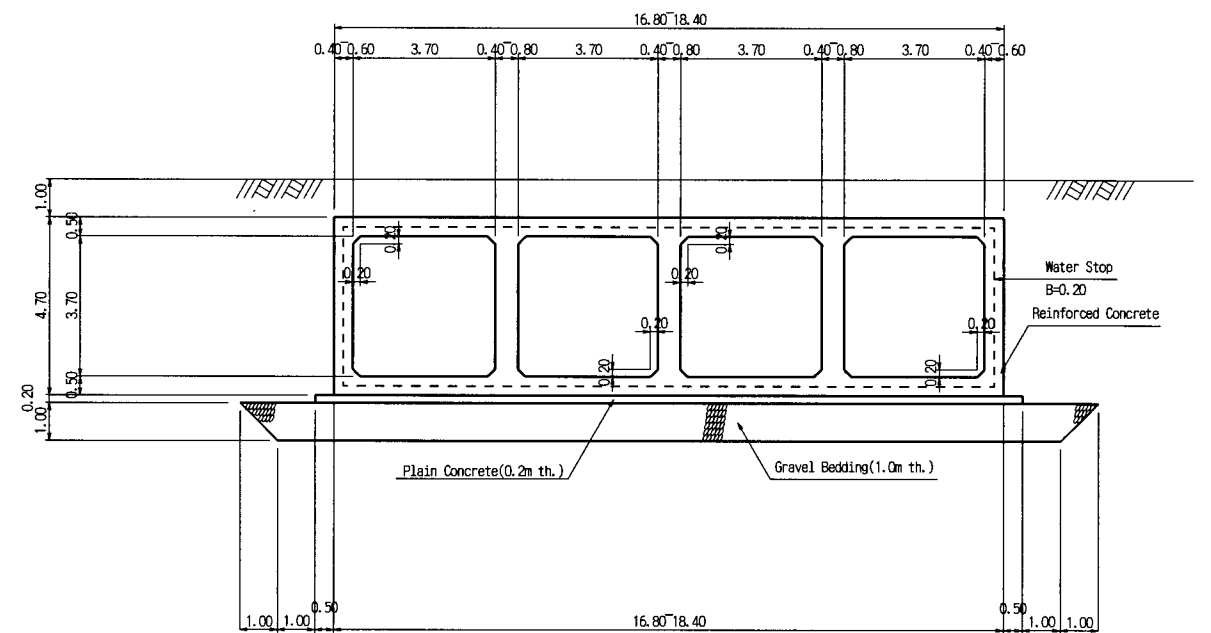
NOTES:

1. Scale:  SCALE 1:200
2. For sections B-B to E-E, see Dwg. No. CCL-169.

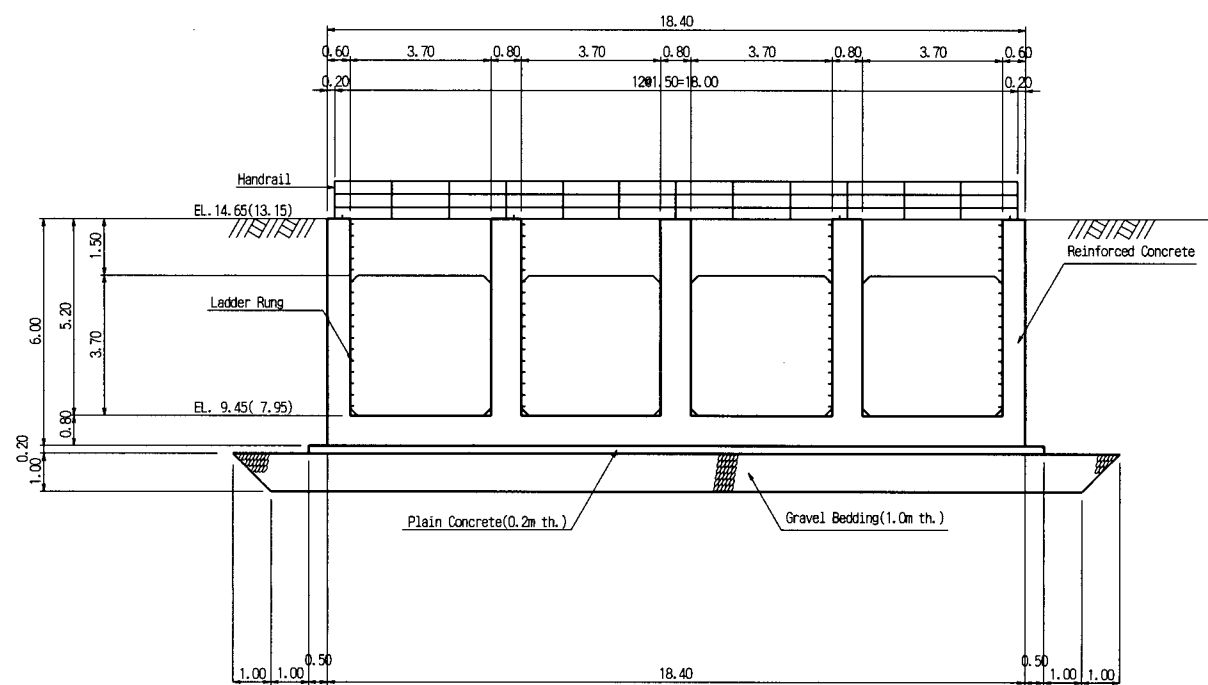
THE ARAB REPUBLIC OF EGYPT MINISTRY OF WATER RESOURCES AND IRRIGATION NORTH SINAI DEVELOPMENT ORGANIZATION	
THE NORTH SINAI INTEGRATED RURAL DEVELOPMENT PROJECT (PHASE III)	
CONVEYANCE SYSTEM OF EL SHEIKH GABER EL SABBABH CANAL BETWEEN KM 86.500 AND KM 108.466	
BOX CULVERT INLET AND OUTLET PLAN AND SECTION	
JAPAN INTERNATIONAL COOPERATION AGENCY (JICA) SANYU CONSULTANTS INC, PACIFIC CONSULTANTS INTERNATIONAL	
DESIGNED	
TRACED	
CHECKED	
APPROVED	
DRAWING NO.	CCL-168



SECTION B-B (G-G)  
SCALE 1:200



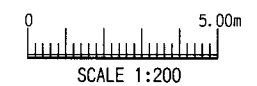
SECTION D-D (E-E)  
SCALE 1:200



SECTION C-C (F-F)  
SCALE 1:200

NOTES:

1. Scale:



2. For location of sections B-B to E-E, see Dwg. No. CCL-168.

THE ARAB REPUBLIC OF EGYPT  
MINISTRY OF WATER RESOURCES AND IRRIGATION  
NORTH SINAI DEVELOPMENT ORGANIZATION

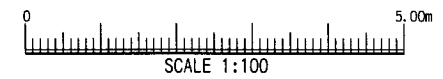
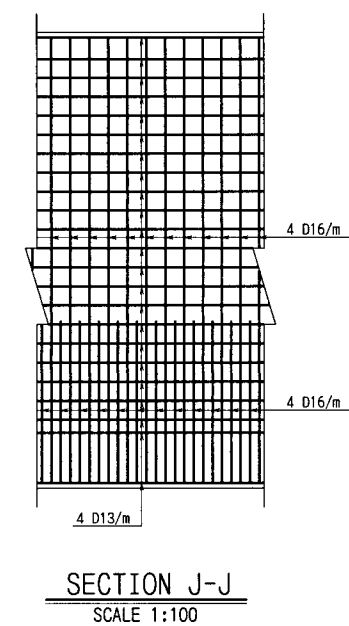
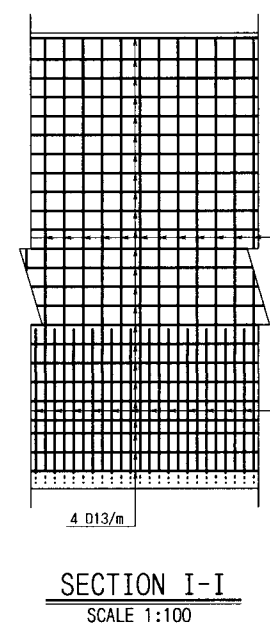
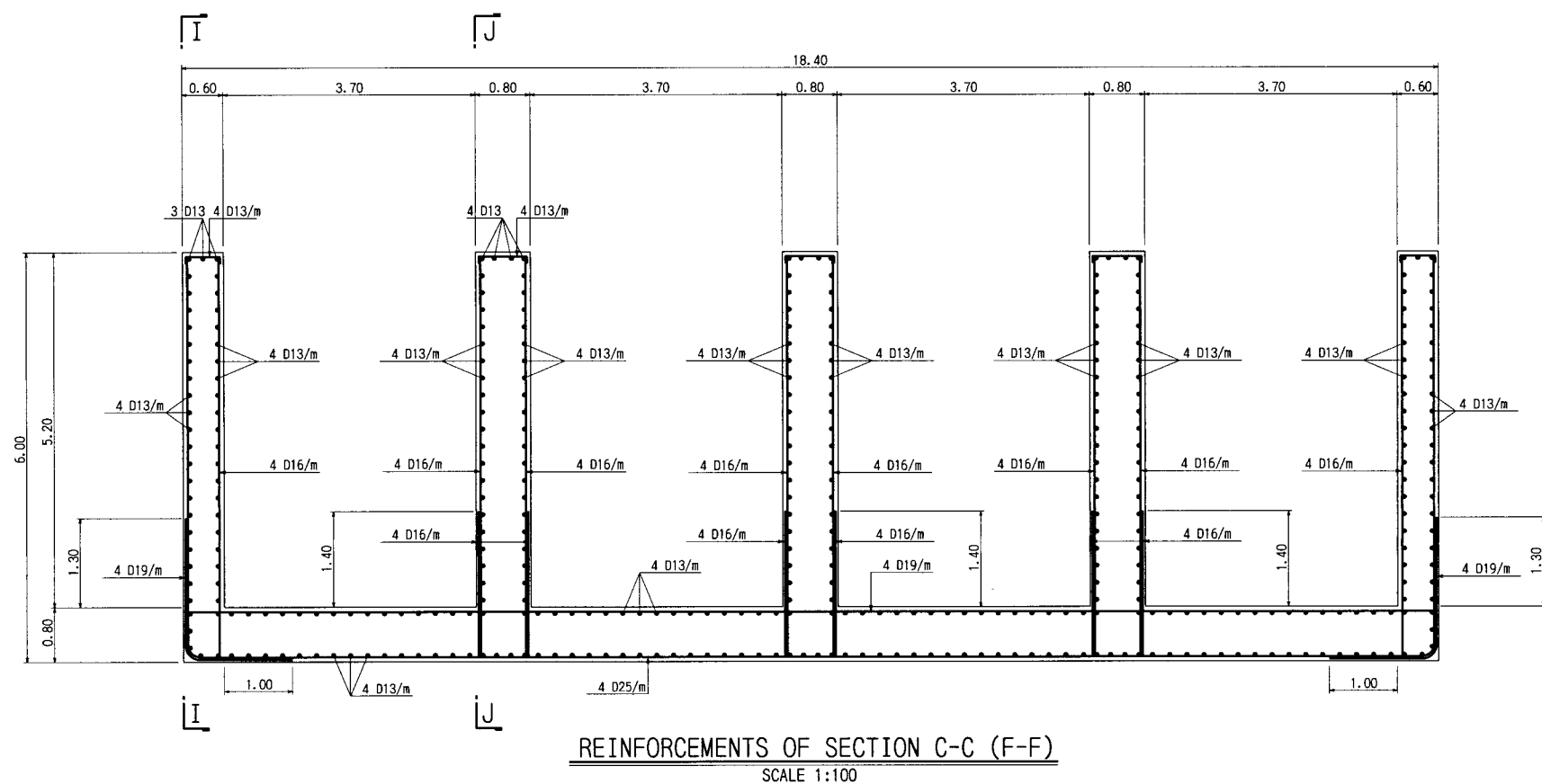
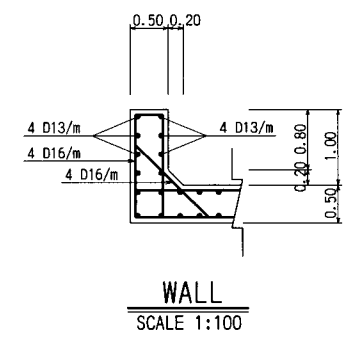
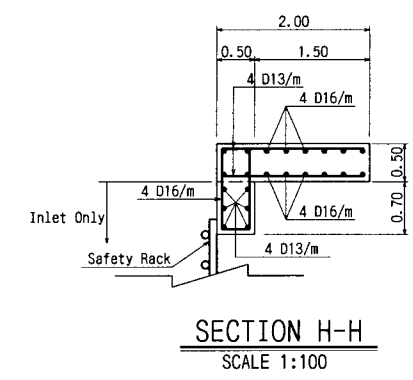
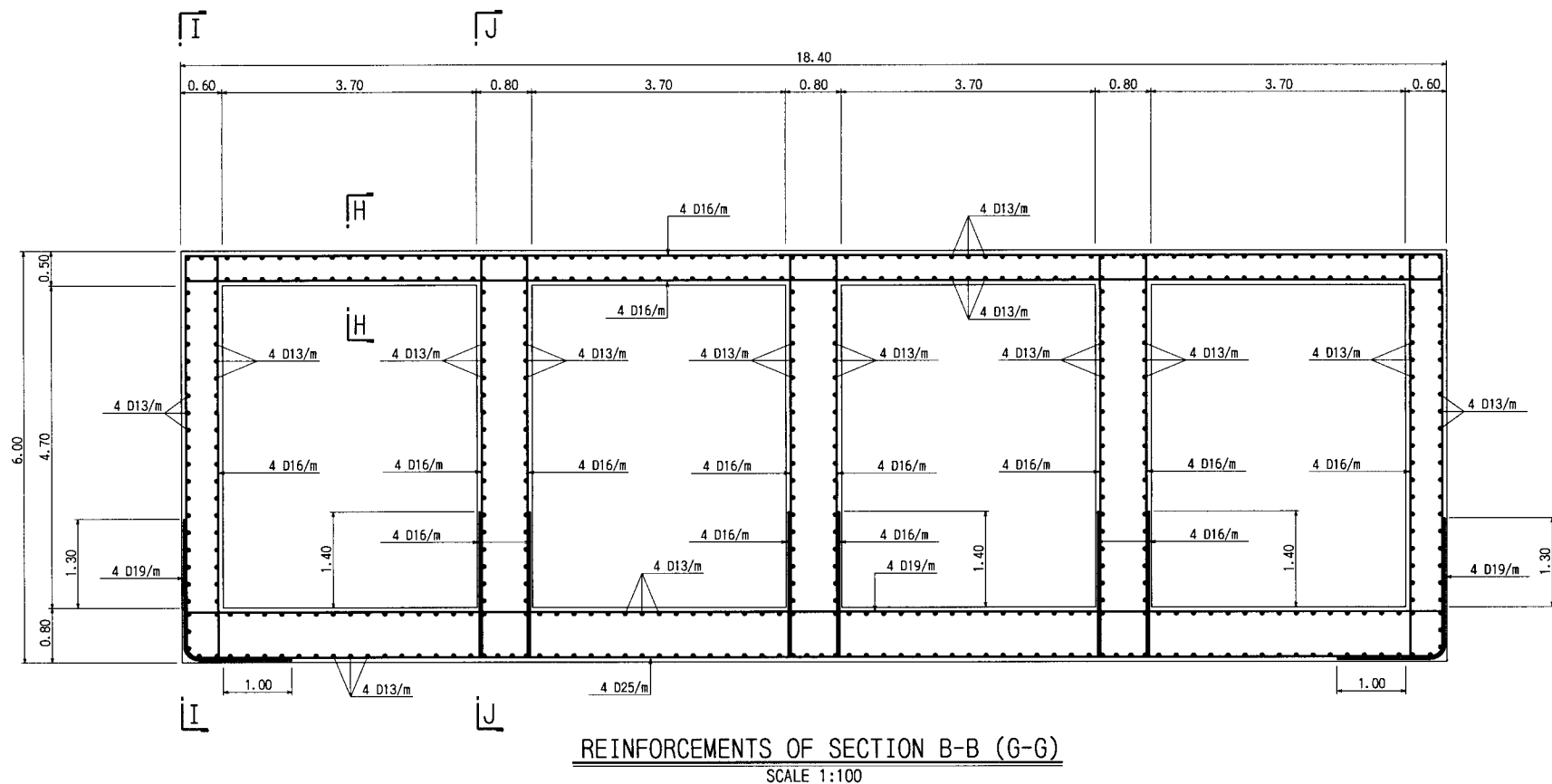
THE NORTH SINAI INTEGRATED RURAL  
DEVELOPMENT PROJECT (PHASE III)

CONVEYANCE SYSTEM OF EL SHEIKH GABER EL SABBAAH CANAL  
BETWEEN KM 86.500 AND KM 108.466

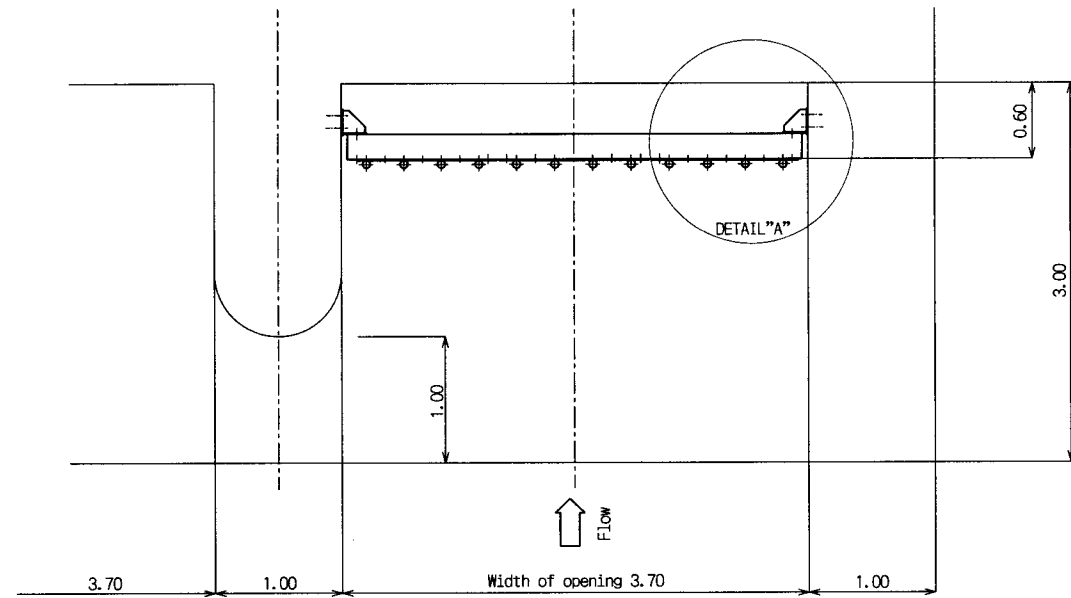
BOX CULVERT  
INLET AND OUTLET  
SECTIONS

JAPAN INTERNATIONAL COOPERATION AGENCY (JICA)  
SANYU CONSULTANTS INC, PACIFIC CONSULTANTS INTERNATIONAL

DESIGNED	
TRACED	
CHECKED	
APPROVED	
DRAWING NO.	CCL-169



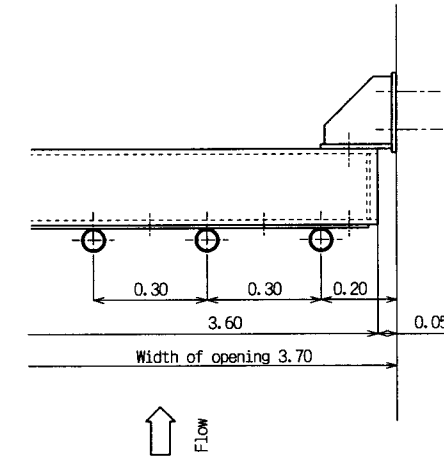
THE ARAB REPUBLIC OF EGYPT MINISTRY OF WATER RESOURCES AND IRRIGATION NORTH SINAI DEVELOPMENT ORGANIZATION	
THE NORTH SINAI INTEGRATED RURAL DEVELOPMENT PROJECT (PHASE III)	
CONVEYANCE SYSTEM OF EL SHEIKH GABER EL SABBABH CANAL BETWEEN KM 86.500 AND KM 108.466	
BOX CULVERT INLET AND OUTLET REINFORCEMENTS	
JAPAN INTERNATIONAL COOPERATION AGENCY (JICA) SANYU CONSULTANTS INC, PACIFIC CONSULTANTS INTERNATIONAL	
DESIGNED	
TRACED	
CHECKED	
APPROVED	
DRAWING NO.	CCL-170



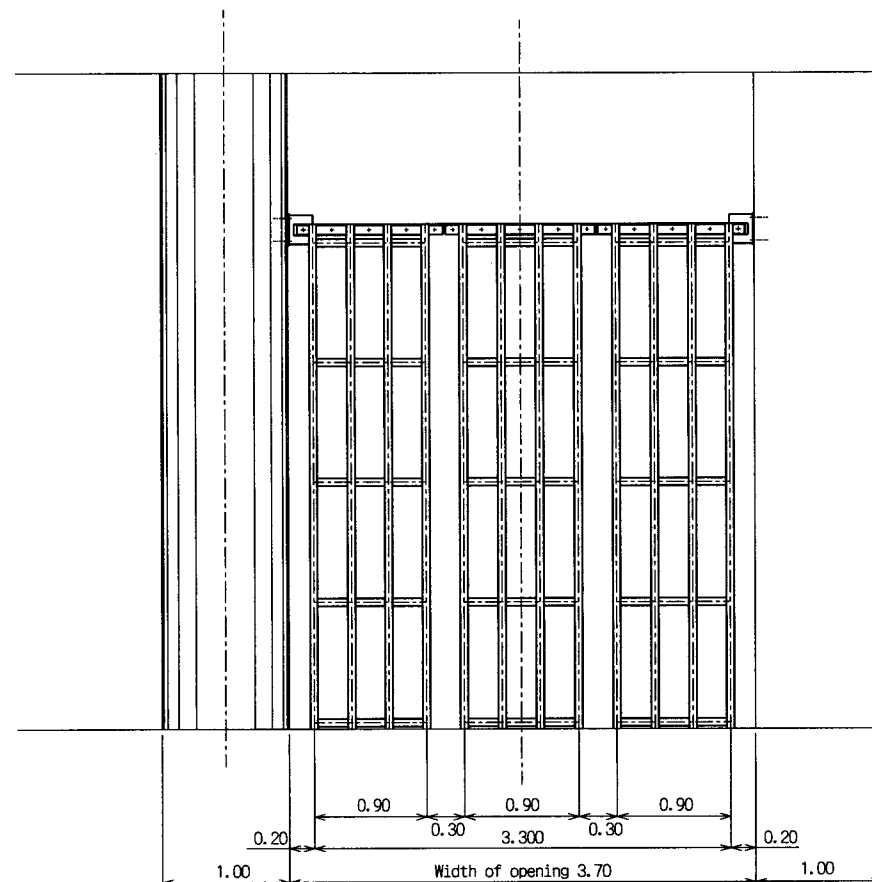
**PLAN**  
SCALE 1:60

**DESIGN DATA**

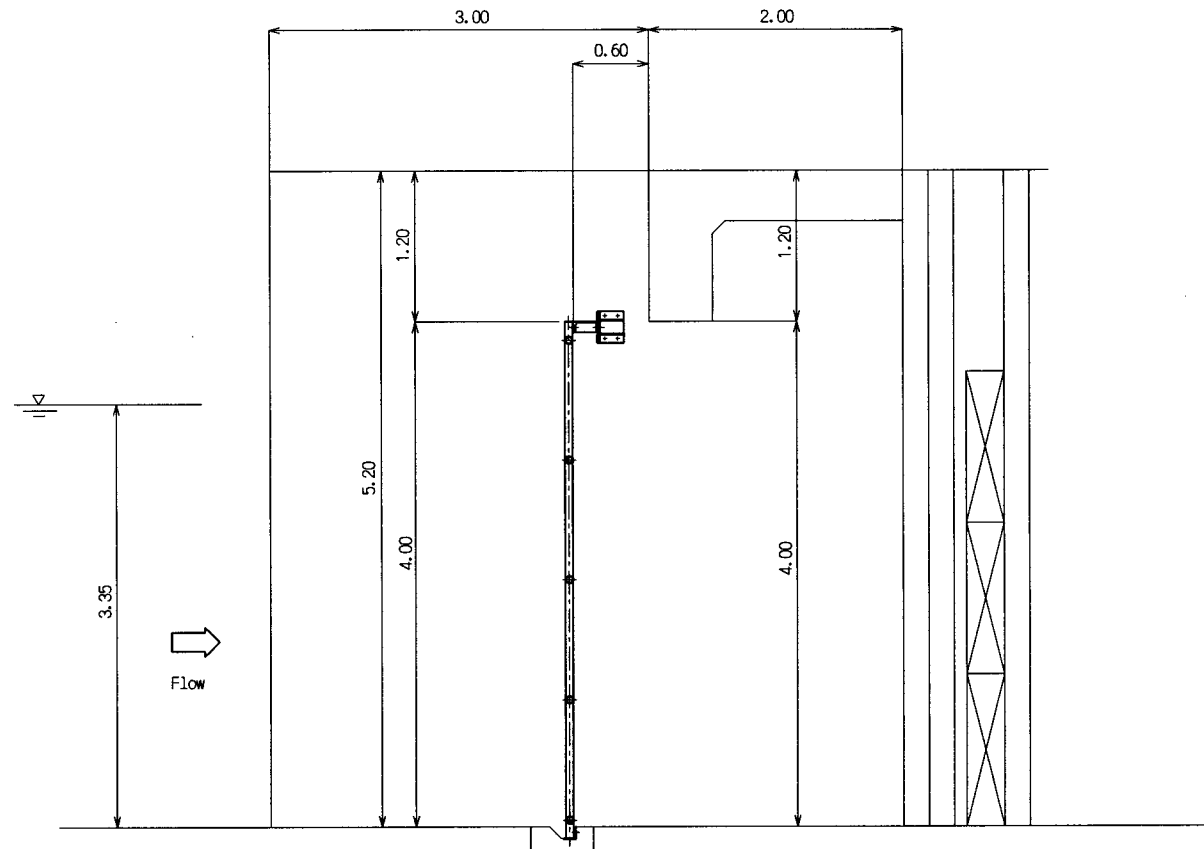
Type                    Steel screen  
 Clear span            3.70m  
 Eff. height            4.00m  
 Design water level diff. 0.10m  
 Bar pitch              0.30m



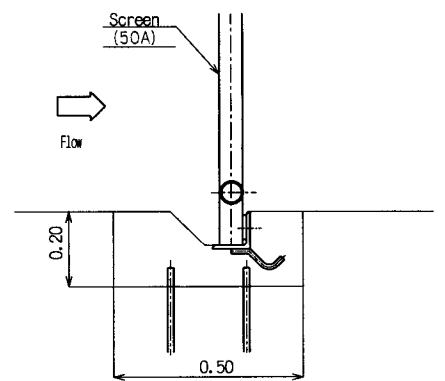
**DETAIL "A"**  
SCALE 1:20



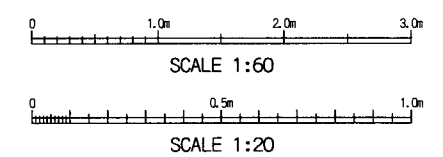
**ELEVATION**  
SCALE 1:60



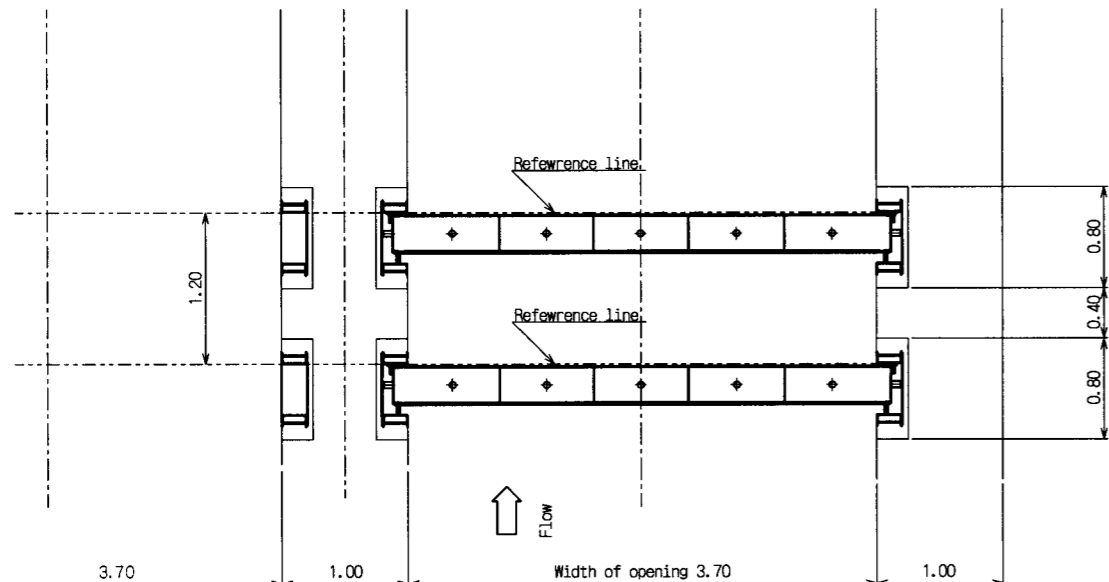
**PROFILE**  
SCALE 1:20



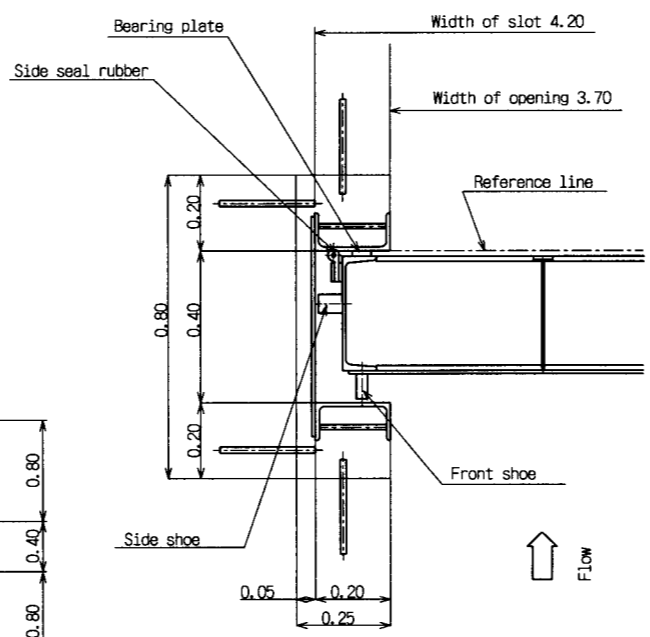
**DETAIL OF BOTTOM**  
SCALE 1:20



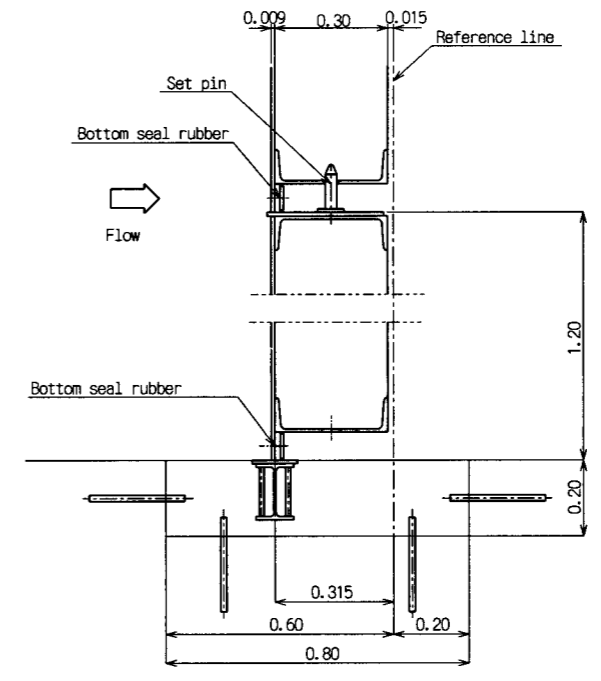
THE ARAB REPUBLIC OF EGYPT MINISTRY OF WATER RESOURCES AND IRRIGATION NORTH SINAI DEVELOPMENT ORGANIZATION	
THE NORTH SINAI INTEGRATED RURAL DEVELOPMENT PROJECT (PHASE III)	
CONVEYANCE SYSTEM OF EL SHEIKH GABER EL SABBABH CANAL BETWEEN KM 86.500 AND KM 108.466	
BOX CULVERT INLET SAFETY RACK	
JAPAN INTERNATIONAL COOPERATION AGENCY (JICA) SANYU CONSULTANTS INC, PACIFIC CONSULTANTS INTERNATIONAL	
DESIGNED	
TRACED	
CHECKED	
APPROVED	
DRAWING NO.	CCL-171



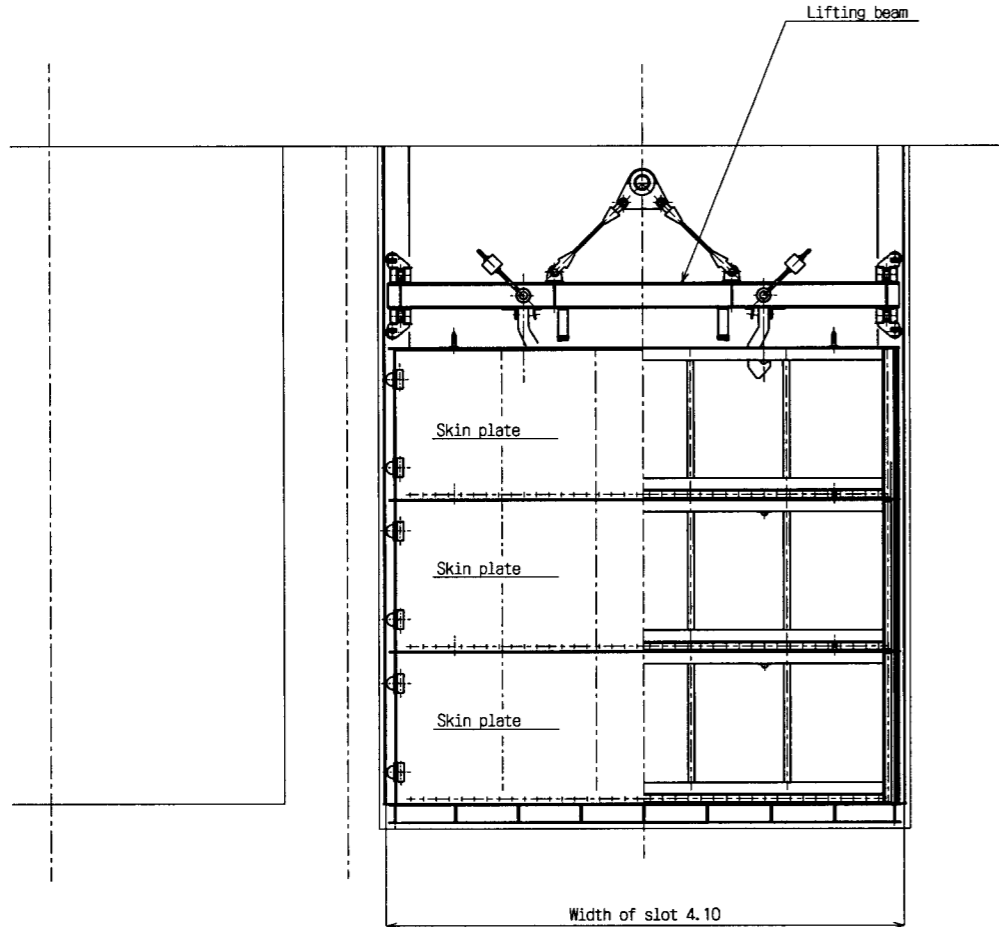
**PLAN**  
SCALE 1:60



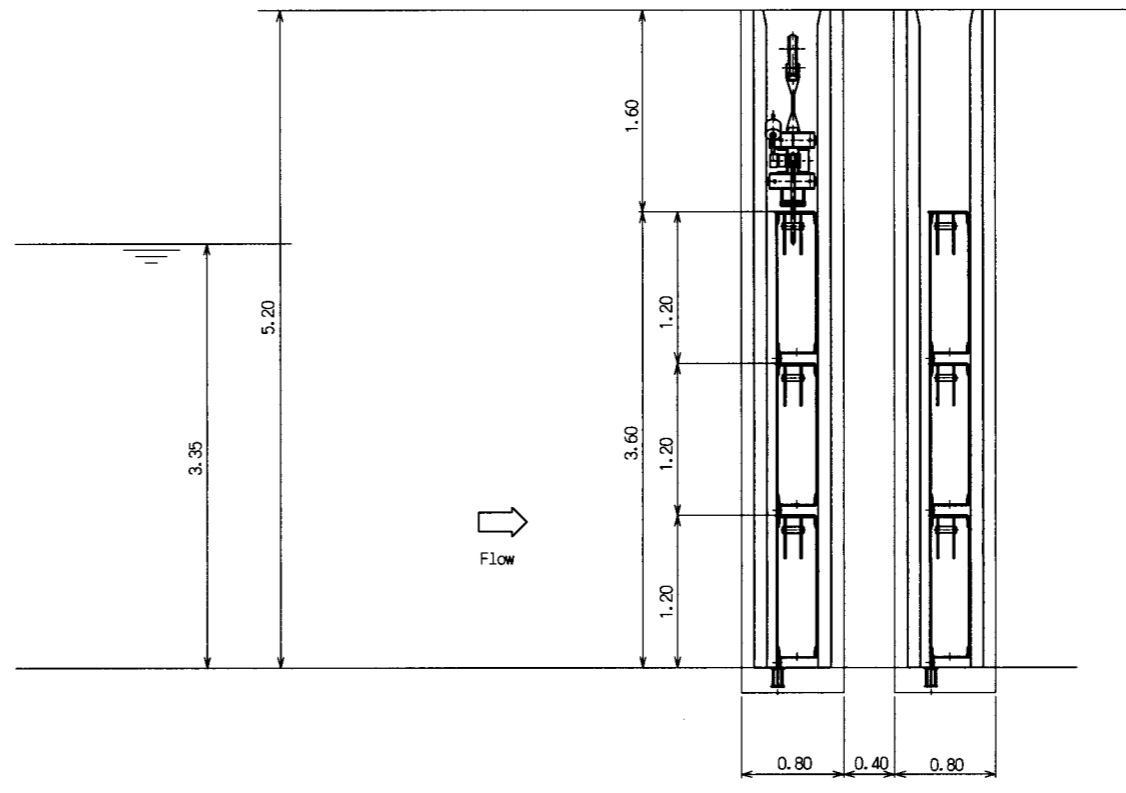
**DETAIL OF SLOT**  
SCALE 1:20



**DETAIL OF TOP AND BOTTOM**  
SCALE 1:20



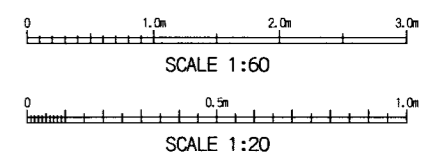
**ELEVATION**  
SCALE 1:60



**PROFILE**  
SCALE 1:60

**DESIGN DATA**

Type	Stop log
Clear span	3.70m
Long height	1.20m×3
Design head	3.35m
Water seal	3 edges
	Seal rubber



THE ARAB REPUBLIC OF EGYPT  
MINISTRY OF WATER RESOURCES AND IRRIGATION  
NORTH SINAI DEVELOPMENT ORGANIZATION

THE NORTH SINAI INTEGRATED RURAL  
DEVELOPMENT PROJECT (PHASE III)

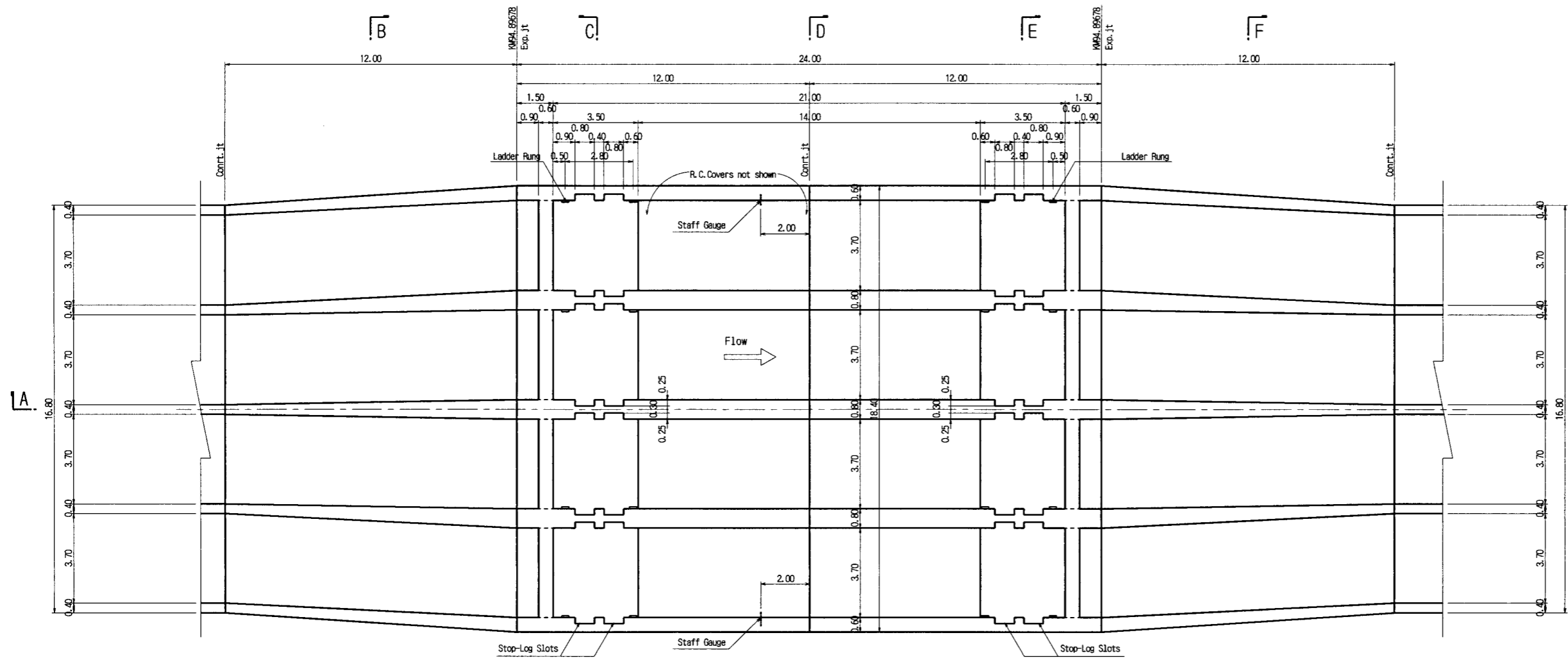
CONVEYANCE SYSTEM OF EL SHEIKH GABER EL SABBABH CANAL  
BETWEEN KM 86.500 AND KM 108.466

**BOX CULVERT  
INLET AND OUTLET  
STOP LOGS**

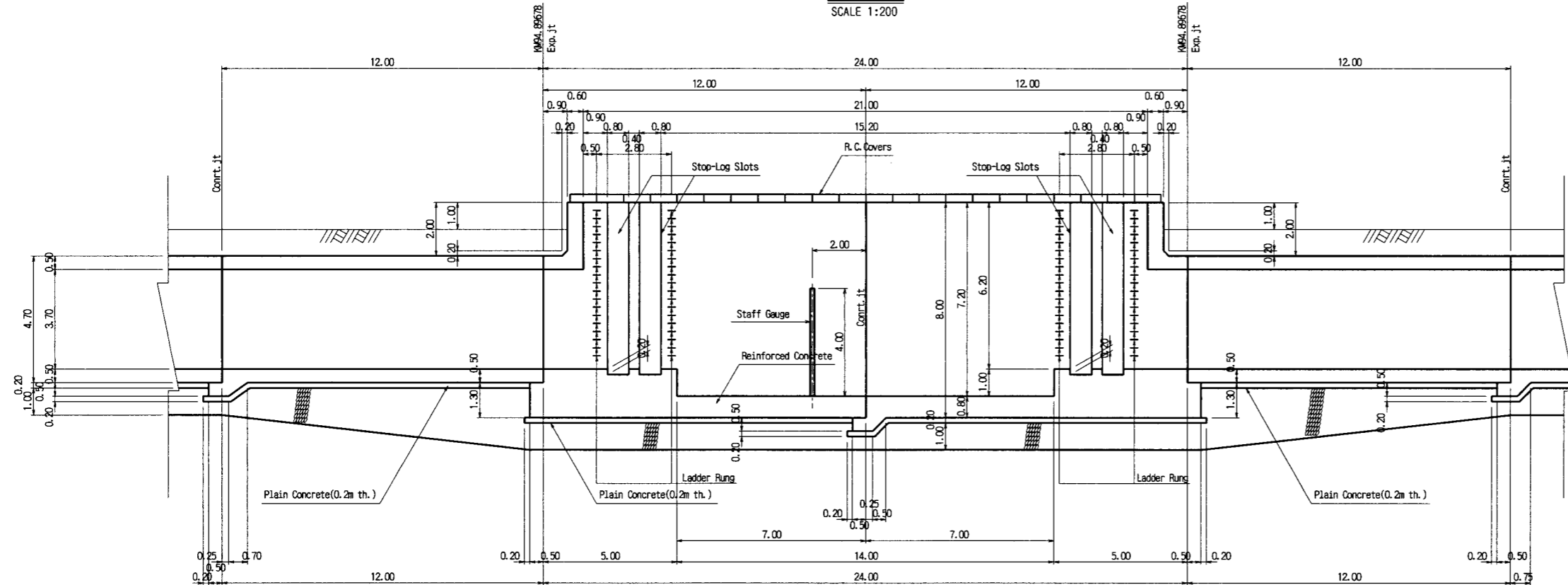
JAPAN INTERNATIONAL COOPERATION AGENCY (JICA)  
SANYU CONSULTANTS INC, PACIFIC CONSULTANTS INTERNATIONAL

DESIGNED	
TRACED	
CHECKED	
APPROVED	
DRAWING NO.	CCL-172





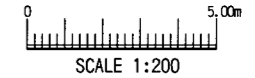
**PLAN**  
SCALE 1:200



**SECTION A-A**  
SCALE 1:200

**NOTES:**

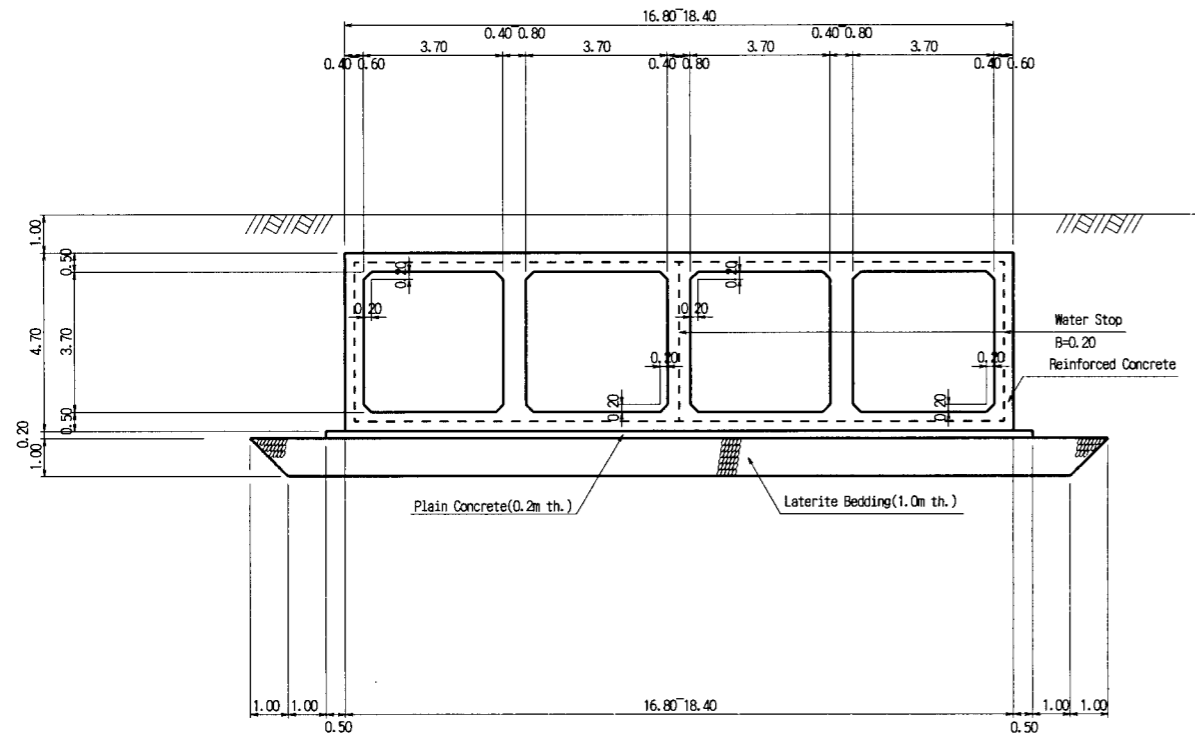
1. Scale:



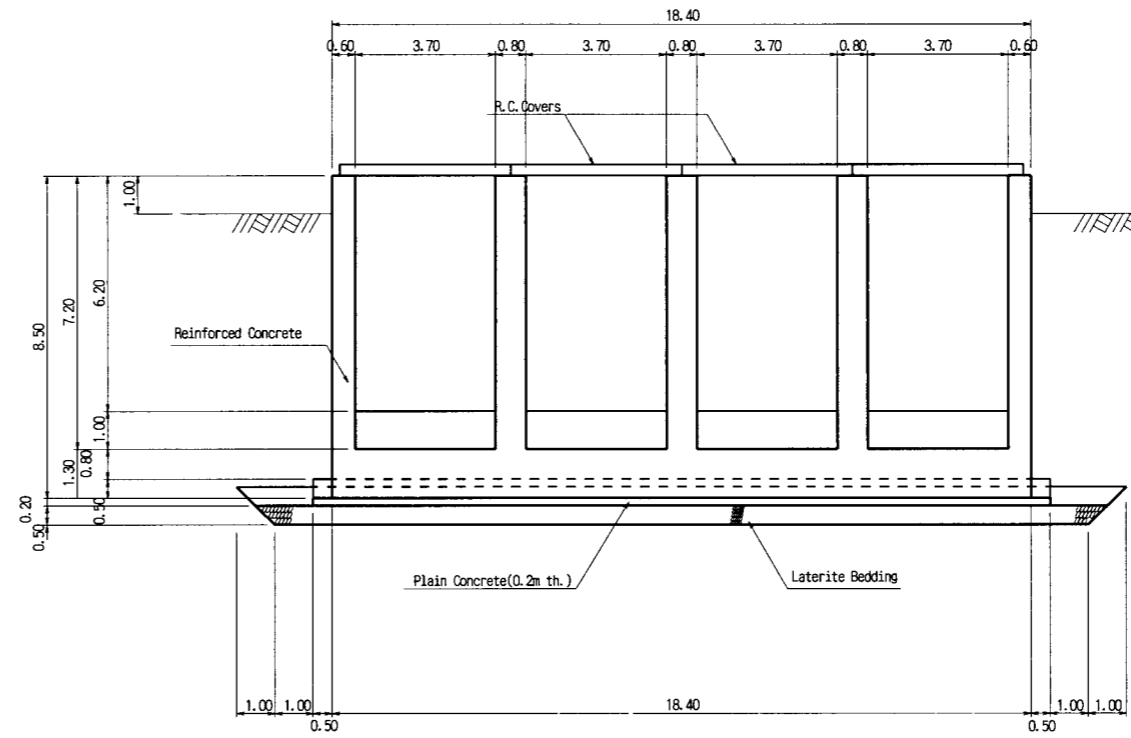
SCALE 1:200

2. For sections B-B to F-F, see Dwg. No. CCL-174.

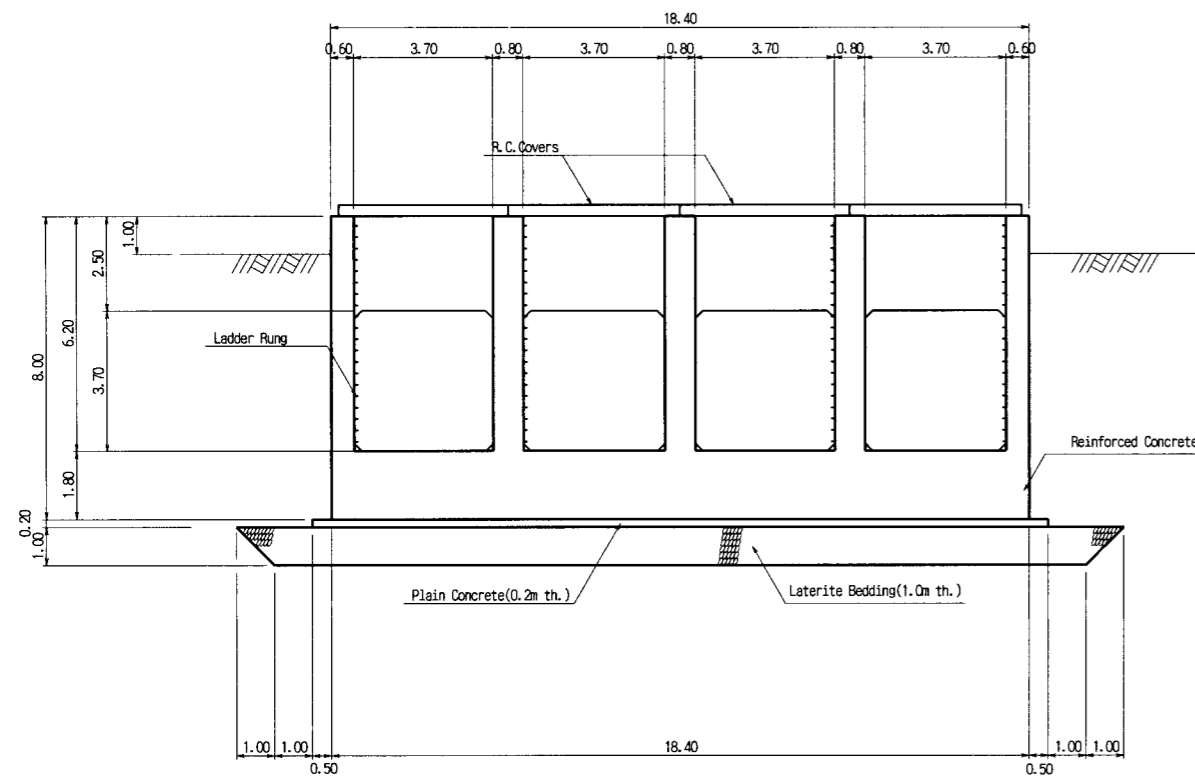
THE ARAB REPUBLIC OF EGYPT MINISTRY OF WATER RESOURCES AND IRRIGATION NORTH SINAI DEVELOPMENT ORGANIZATION	
THE NORTH SINAI INTEGRATED RURAL DEVELOPMENT PROJECT (PHASE III)	
CONVEYANCE SYSTEM OF EL SHEIKH GABER EL SABBAAH CANAL BETWEEN KM 86.500 AND KM 108.466	
BOX CULVERT OPENING (1) PLAN AND SECTION	
JAPAN INTERNATIONAL COOPERATION AGENCY (JICA) SANYU CONSULTANTS INC, PACIFIC CONSULTANTS INTERNATIONAL	
DESIGNED	
TRACED	
CHECKED	
APPROVED	
DRAWING NO.	CCL-173



**SECTION B-B (F-F)**  
SCALE 1:200

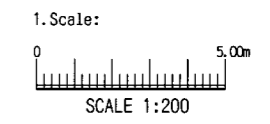


**SECTION D-D**  
SCALE 1:200



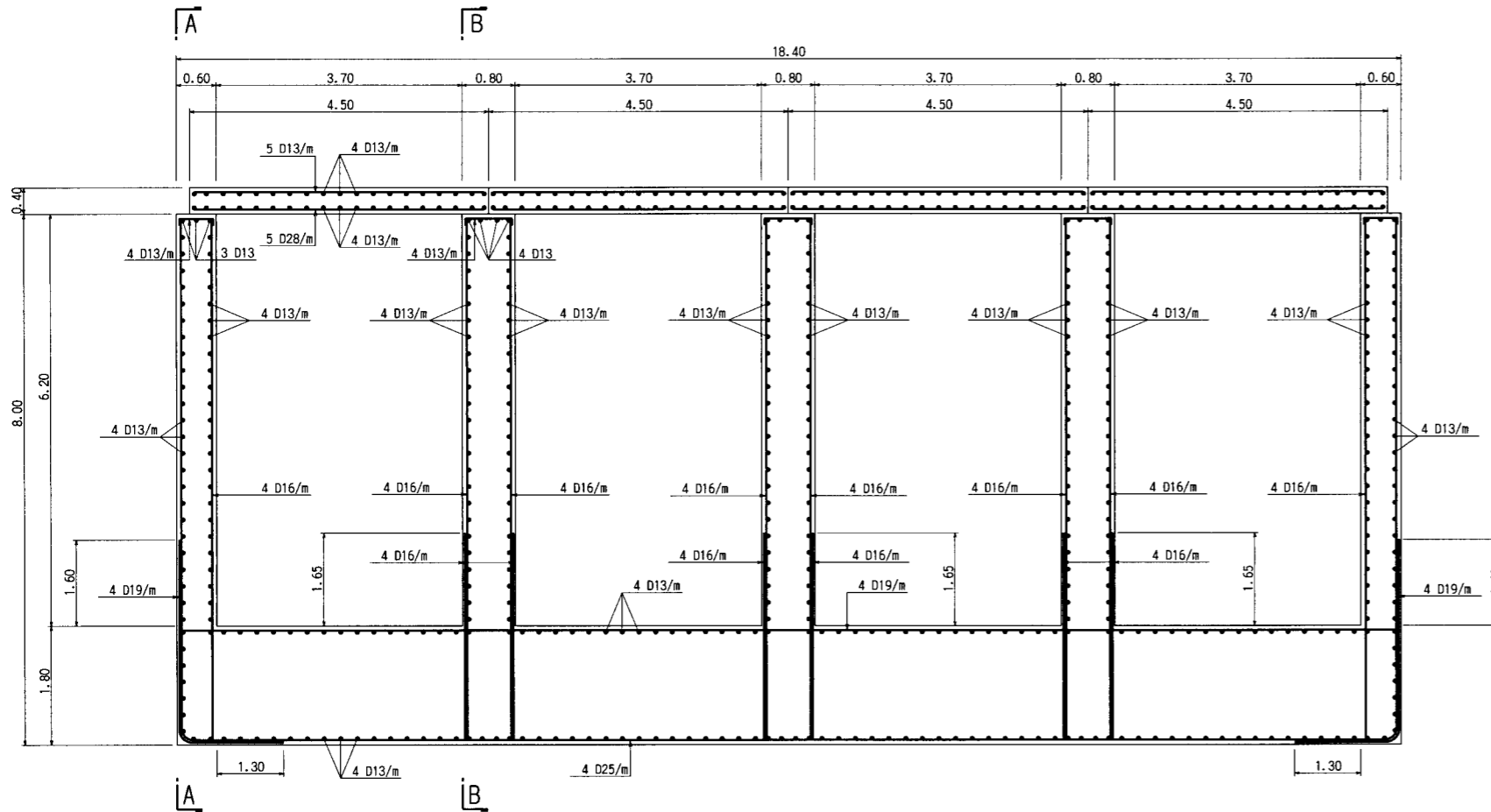
**SECTION C-C (E-E)**  
SCALE 1:200

**NOTES:**

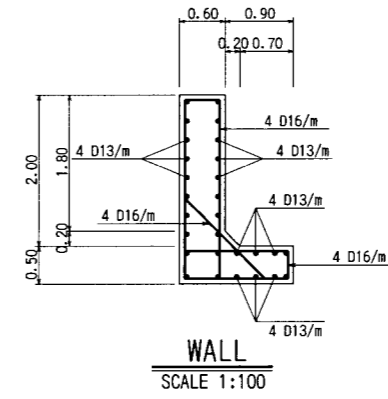


2. For Location of sections B-B to E-E, see Dwg.NO.CCL-173.

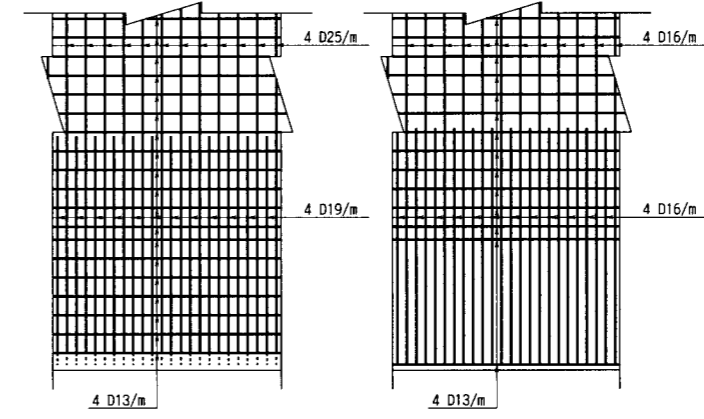
THE ARAB REPUBLIC OF EGYPT MINISTRY OF WATER RESOURCES AND IRRIGATION NORTH SINAI DEVELOPMENT ORGANIZATION  THE NORTH SINAI INTEGRATED RURAL DEVELOPMENT PROJECT (PHASE III)	
CONVEYANCE SYSTEM OF EL SHEIKH GABER EL SABBABH CANAL BETWEEN KM 86.500 AND KM 108.466  <b>BOX CULVERT</b> OPENING (1) SECTIONS	
JAPAN INTERNATIONAL COOPERATION AGENCY(JICA) SANYU CONSULTANTS INC,PACIFIC CONSULTANTS INTERNATIONAL	
DESIGNED	
TRACED	
CHECKED	
APPROVED	
DRAWING NO.	CCL-174



NO.1 OPENING SECTION (1/2)  
SCALE 1:100

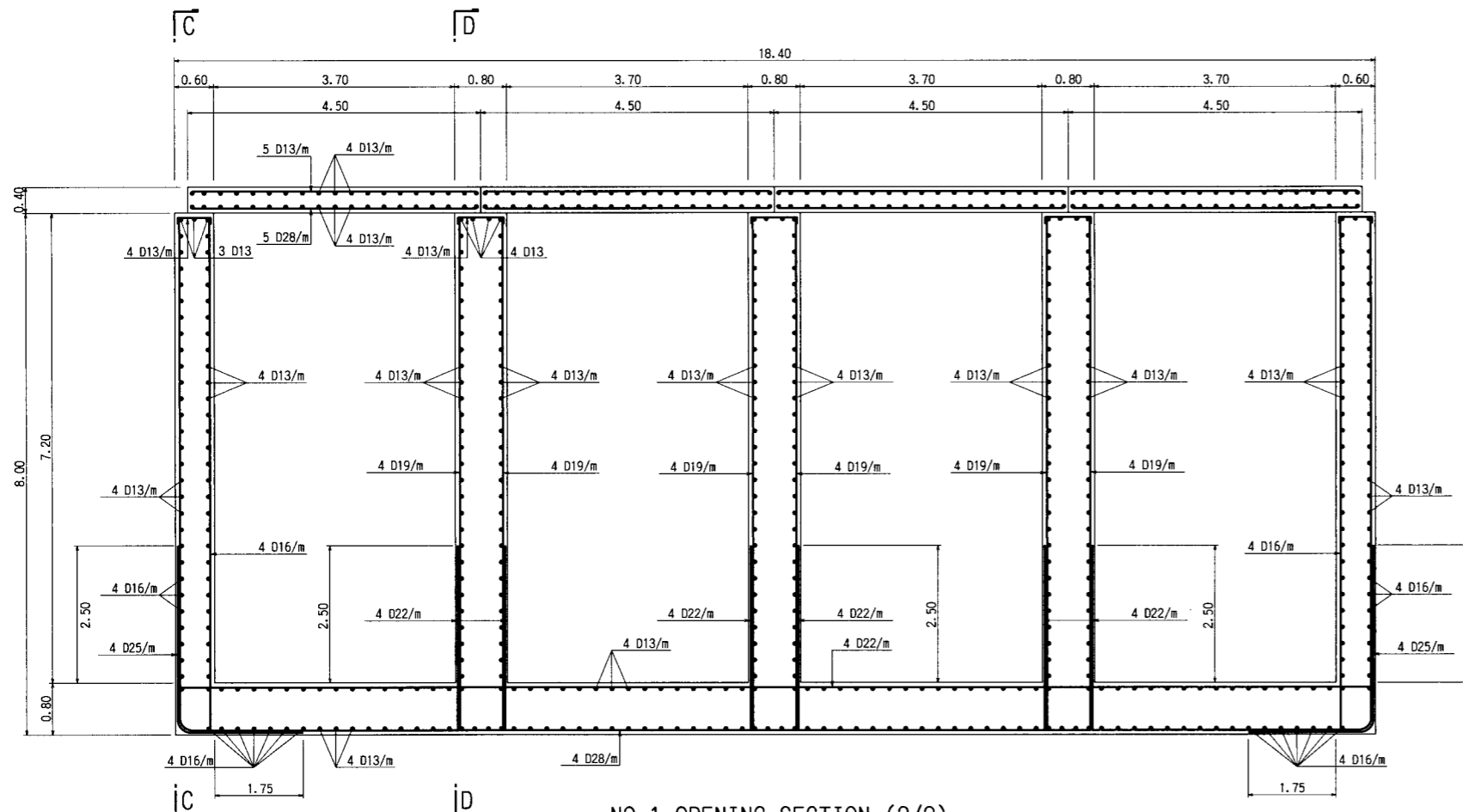


WALL  
SCALE 1:100

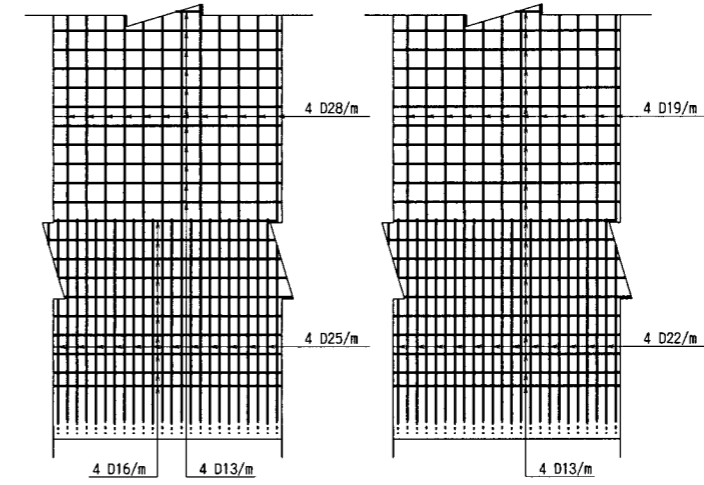


SECTION A-A  
SCALE 1:100

SECTION B-B  
SCALE 1:100

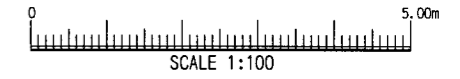


NO.1 OPENING SECTION (2/2)  
SCALE 1:100



SECTION C-C  
SCALE 1:100

SECTION D-D  
SCALE 1:100



THE ARAB REPUBLIC OF EGYPT MINISTRY OF WATER RESOURCES AND IRRIGATION NORTH SINAI DEVELOPMENT ORGANIZATION	
THE NORTH SINAI INTEGRATED RURAL DEVELOPMENT PROJECT (PHASE III)	
CONVEYANCE SYSTEM OF EL SHEIKH GABER EL SABBABH CANAL BETWEEN KM 86.500 AND KM 108.466	
BOX CULVERT OPENING (1) REINFORCEMENTS	
JAPAN INTERNATIONAL COOPERATION AGENCY (JICA) SANYU CONSULTANTS INC, PACIFIC CONSULTANTS INTERNATIONAL	
DESIGNED	
TRACED	
CHECKED	
APPROVED	
DRAWING NO.	CCL-175