

THE ARAB REPUBLIC OF EGYPT
MINISTRY OF WATER RESOURCES AND IRRIGATION
NORTH SINAI DEVELOPMENT ORGANIZATION

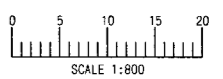
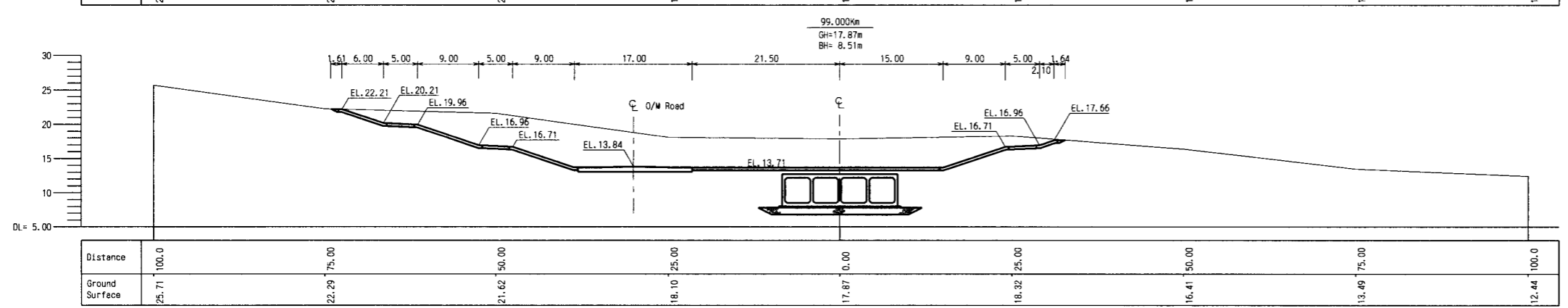
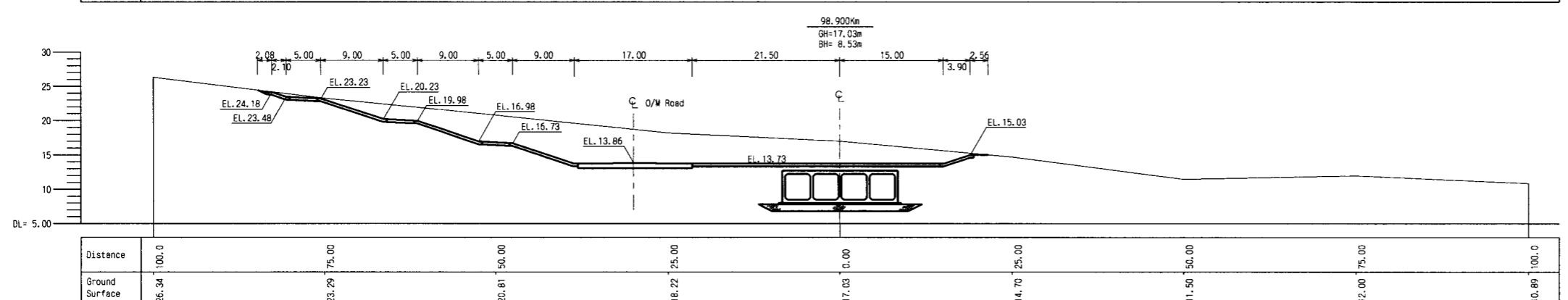
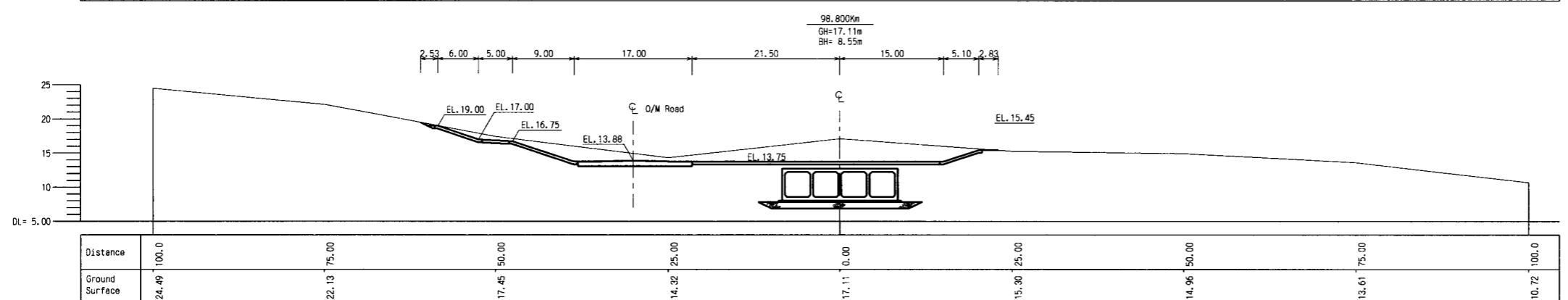
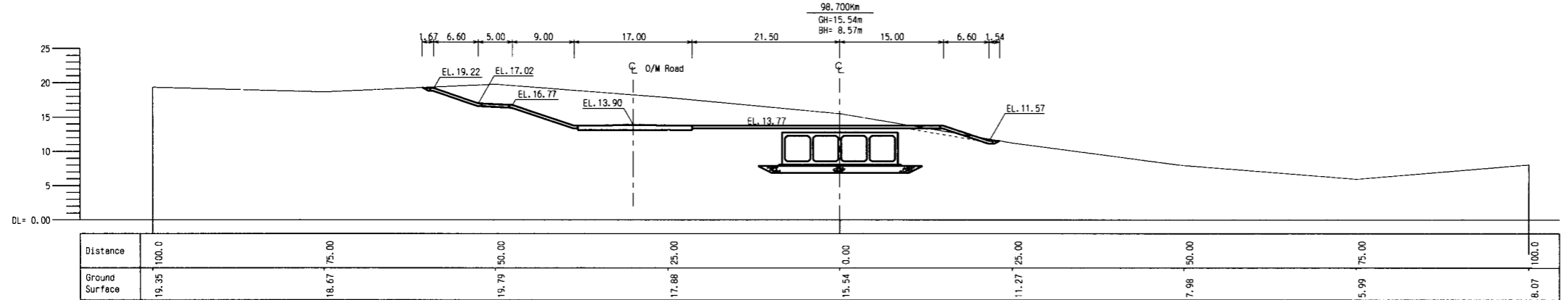
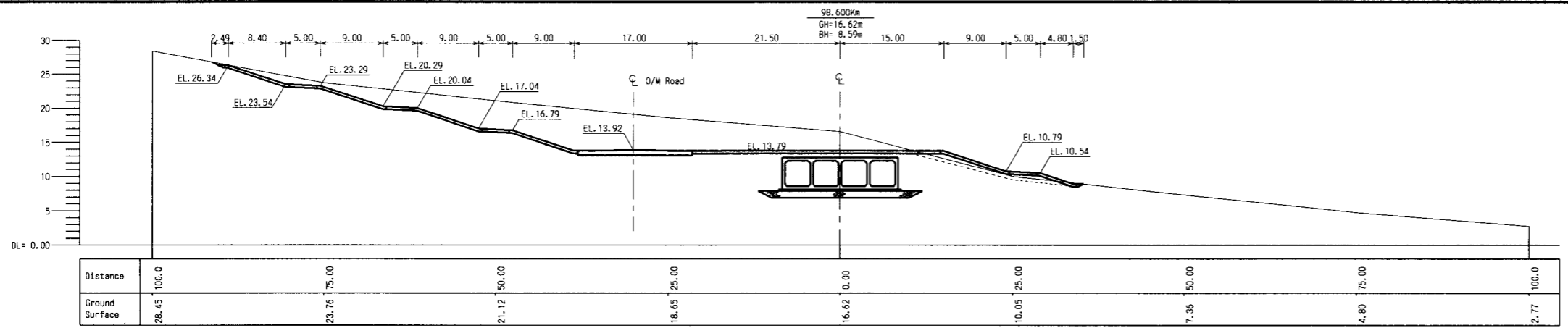
**THE NORTH SINAI INTEGRATED RURAL
DEVELOPMENT PROJECT (PHASE III)**

CONVEYANCE SYSTEM OF EL SHEIKH GABER EL SABBAH CANAL
BETWEEN KM 85.500 AND KM 108.466

**BOX CULVERT
CROSS SECTIONS
BETWEEN KM 98.100 AND KM 98.500**

JAPAN INTERNATIONAL COOPERATION AGENCY (JICA)
SANYU CONSULTANTS INC, PACIFIC CONSULTANTS INTERNATIONAL

DESIGNED	
TRACED	
CHECKED	
APPROVED	
DRAWING NO.	CCL-135



THE ARAB REPUBLIC OF EGYPT
MINISTRY OF WATER RESOURCES AND IRRIGATION
NORTH SINAI DEVELOPMENT ORGANIZATION

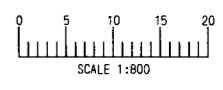
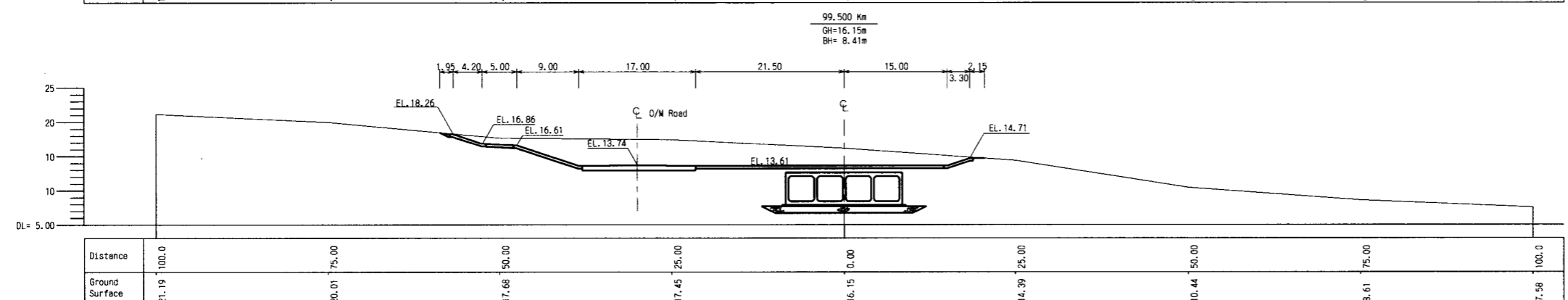
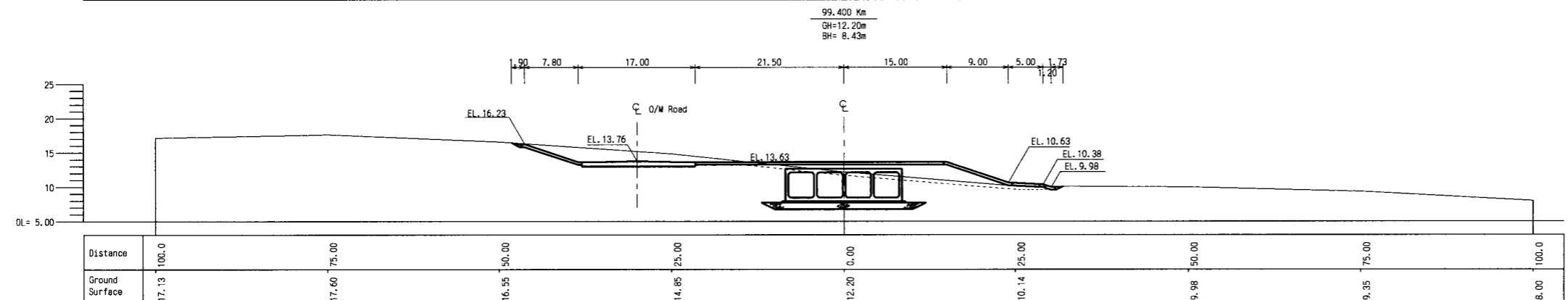
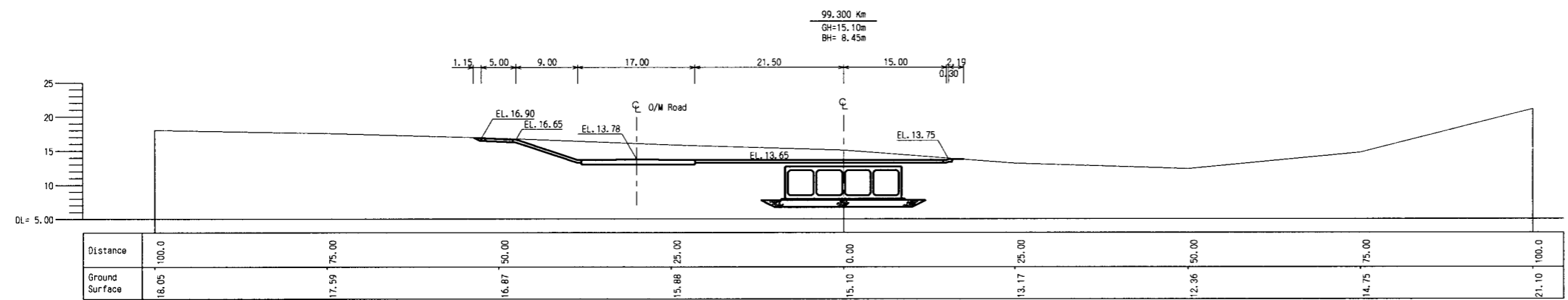
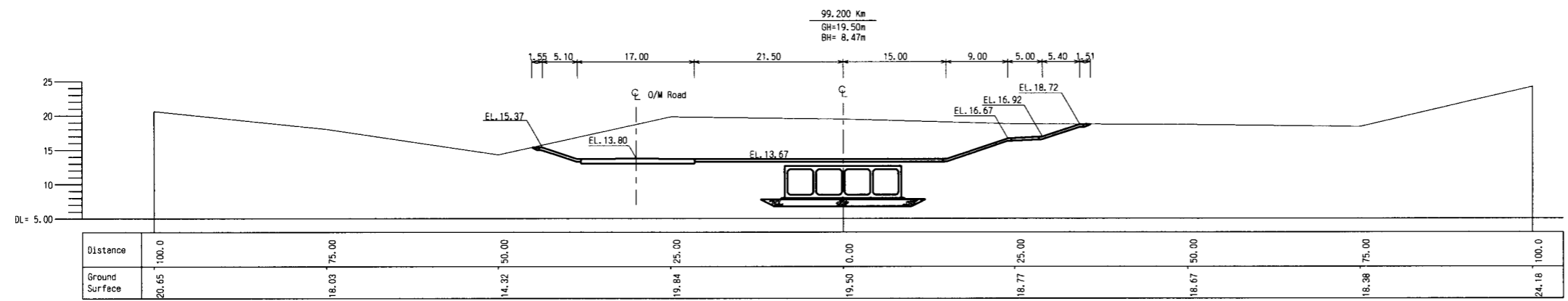
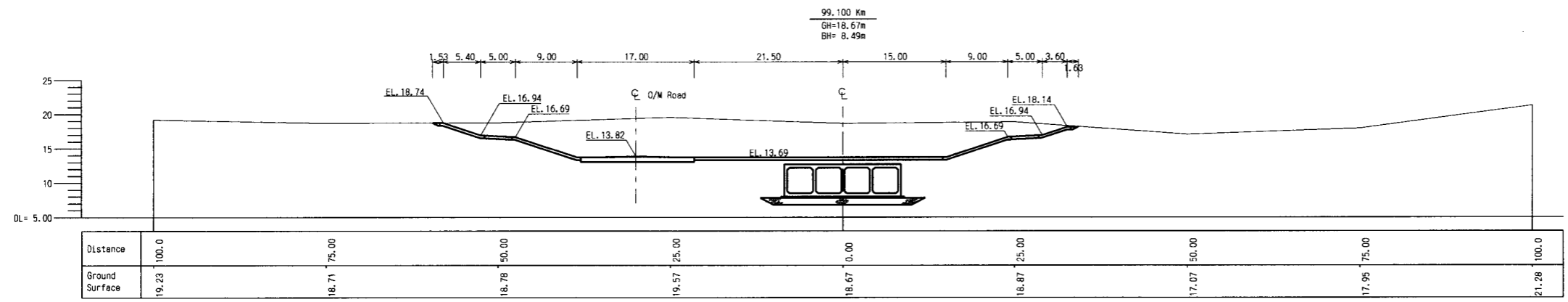
**THE NORTH SINAI INTEGRATED RURAL
DEVELOPMENT PROJECT (PHASE III)**

CONVEYANCE SYSTEM OF EL SHEIKH GABER EL SABBABH CANAL
BETWEEN KM 86.500 AND KM 108.466

**BOX CULVERT
CROSS SECTIONS
BETWEEN KM 98.600 AND KM 99.000**

JAPAN INTERNATIONAL COOPERATION AGENCY(JICA)
SANYU CONSULTANTS INC, PACIFIC CONSULTANTS INTERNATIONAL

DESIGNED	
TRACED	
CHECKED	
APPROVED	
DRAWING NO.	CCL-136



THE ARAB REPUBLIC OF EGYPT
MINISTRY OF WATER RESOURCES AND IRRIGATION
NORTH SINAI DEVELOPMENT ORGANIZATION

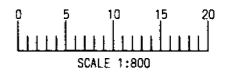
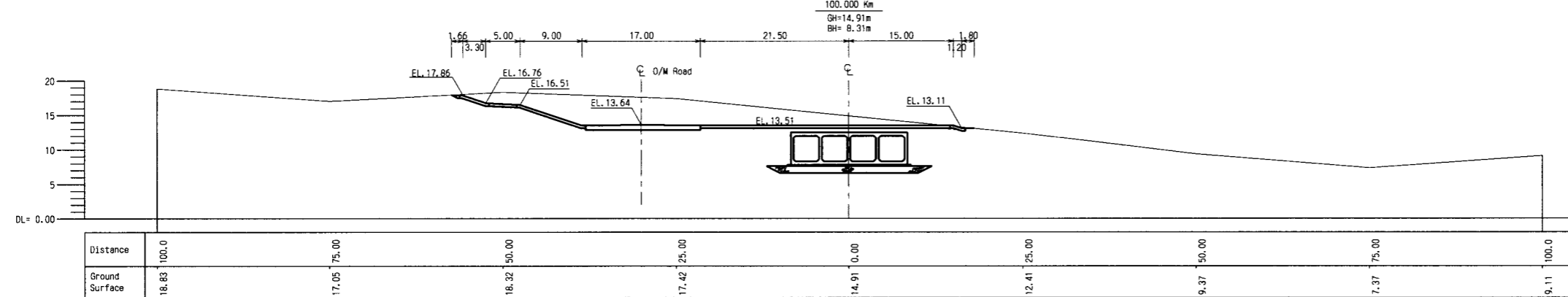
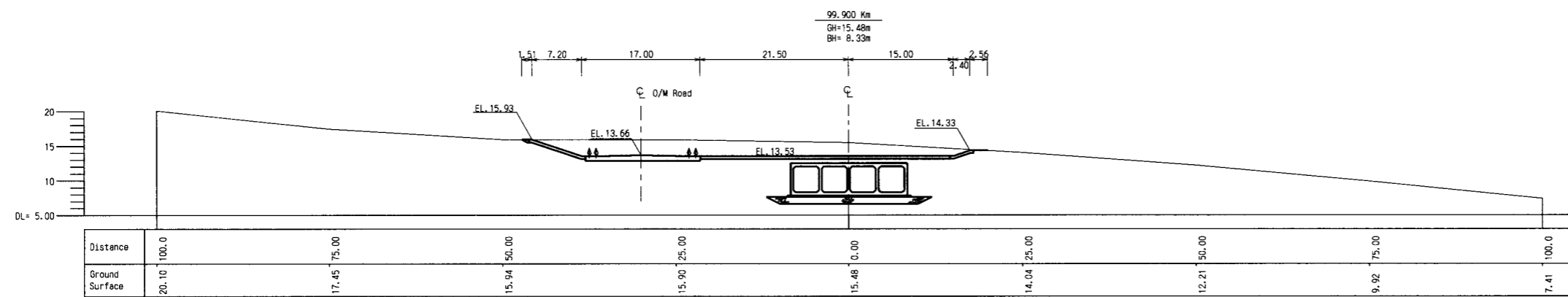
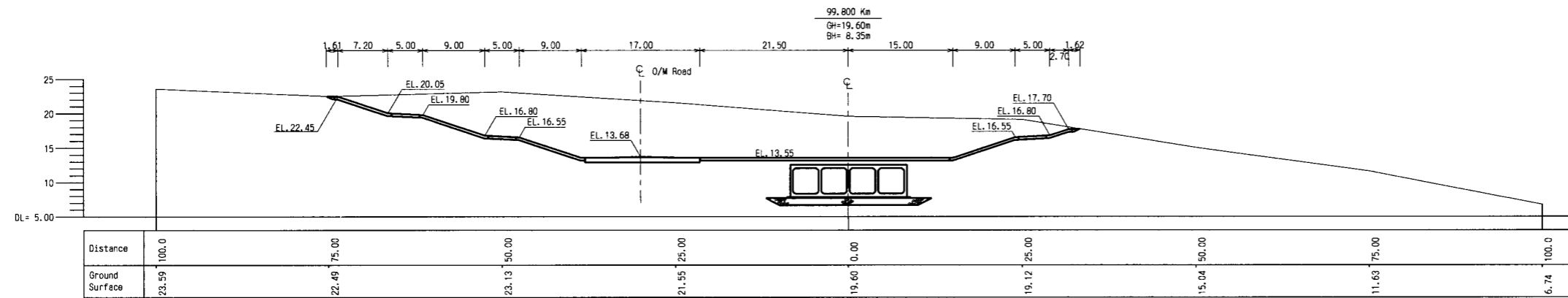
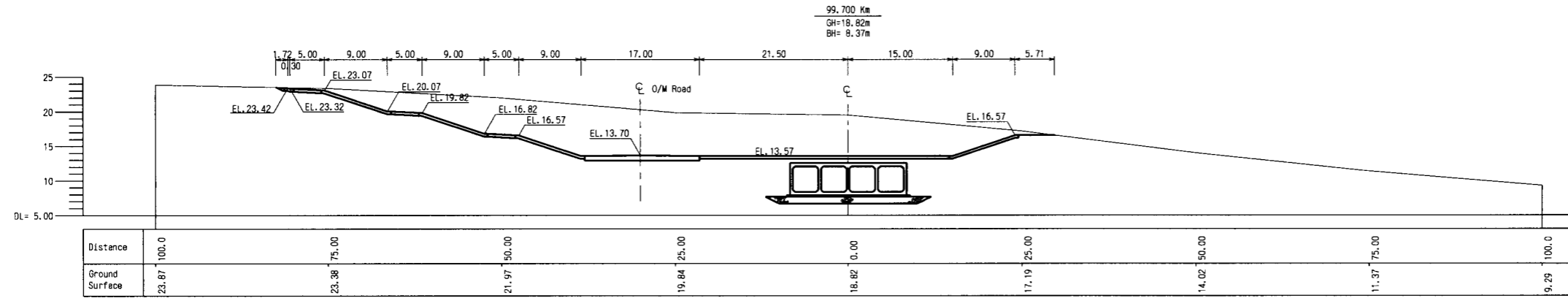
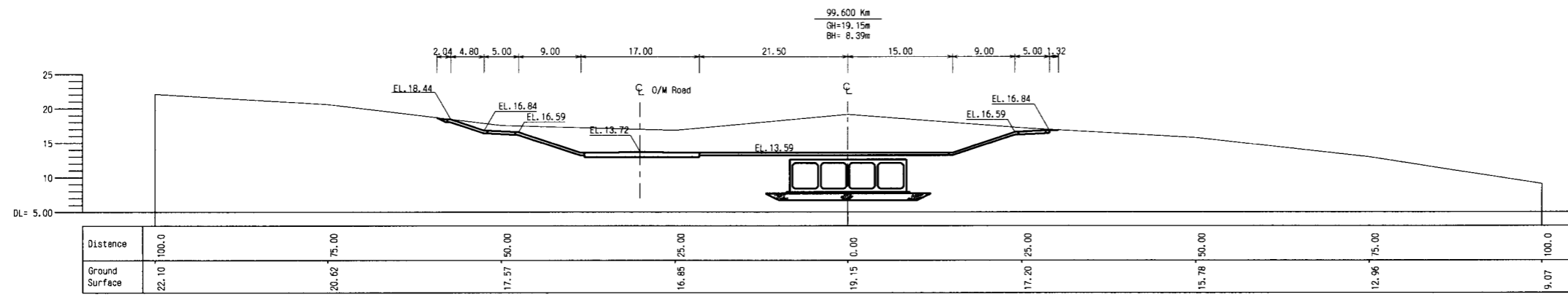
**THE NORTH SINAI INTEGRATED RURAL
DEVELOPMENT PROJECT (PHASE III)**

CONVEYANCE SYSTEM OF EL SHEIKH GABER EL SABBABH CANAL
BETWEEN KM 86.500 AND KM 108.466

**BOX CULVERT
CROSS SECTIONS
BETWEEN KM 99.100 AND KM 99.500**

JAPAN INTERNATIONAL COOPERATION AGENCY (JICA)
SANYU CONSULTANTS INC, PACIFIC CONSULTANTS INTERNATIONAL

DESIGNED	
TRACED	
CHECKED	
APPROVED	
DRAWING NO.	CCL-137



THE ARAB REPUBLIC OF EGYPT
MINISTRY OF WATER RESOURCES AND IRRIGATION
NORTH SINAI DEVELOPMENT ORGANIZATION

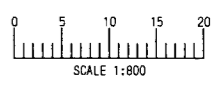
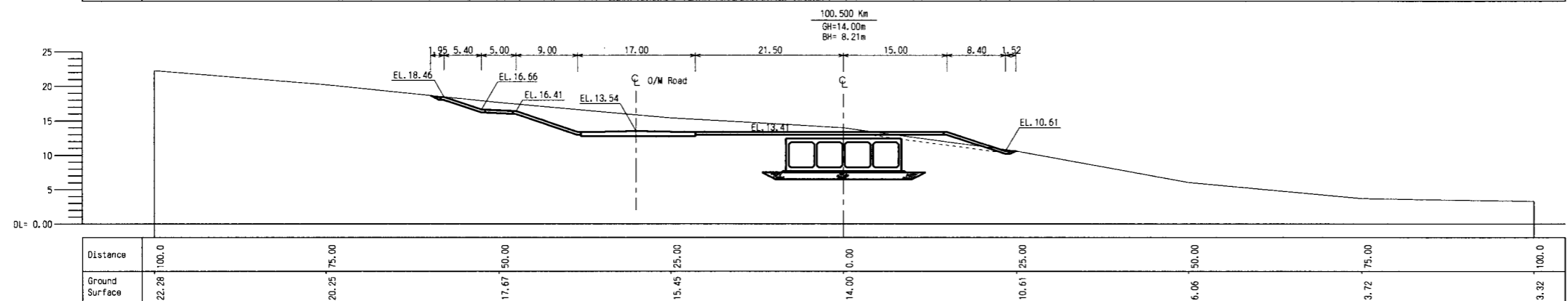
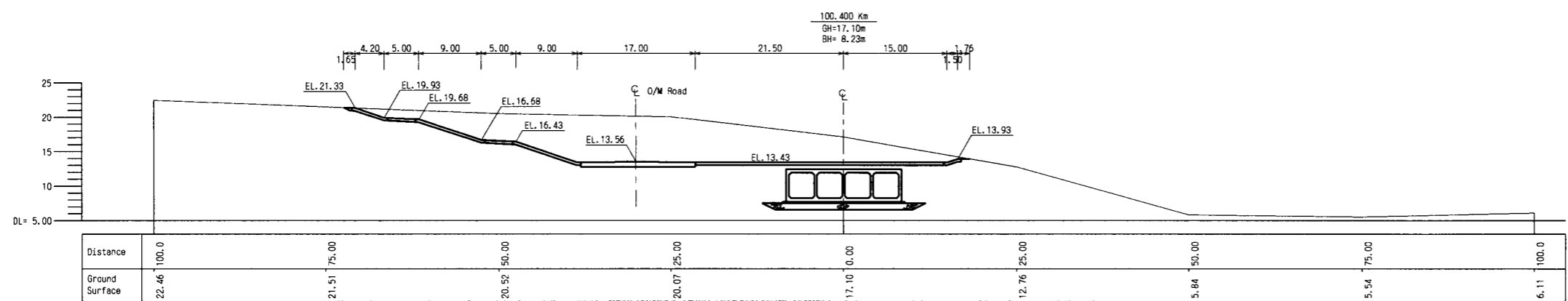
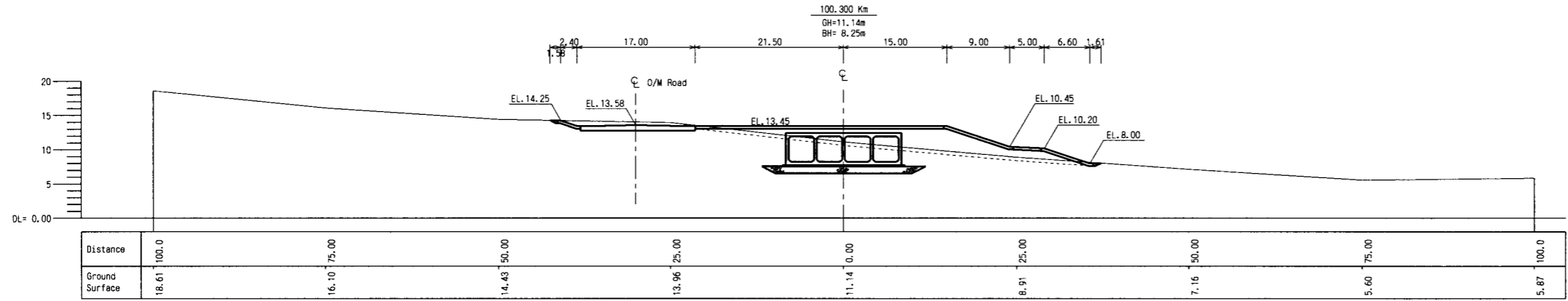
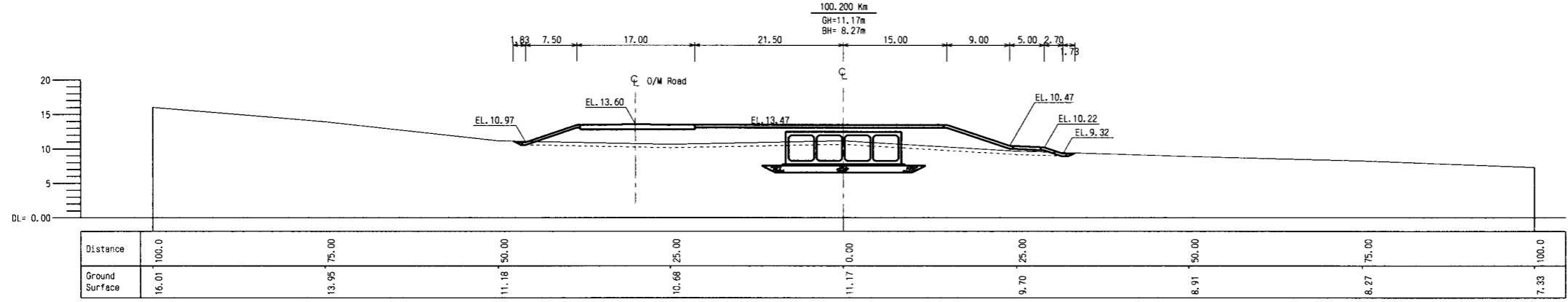
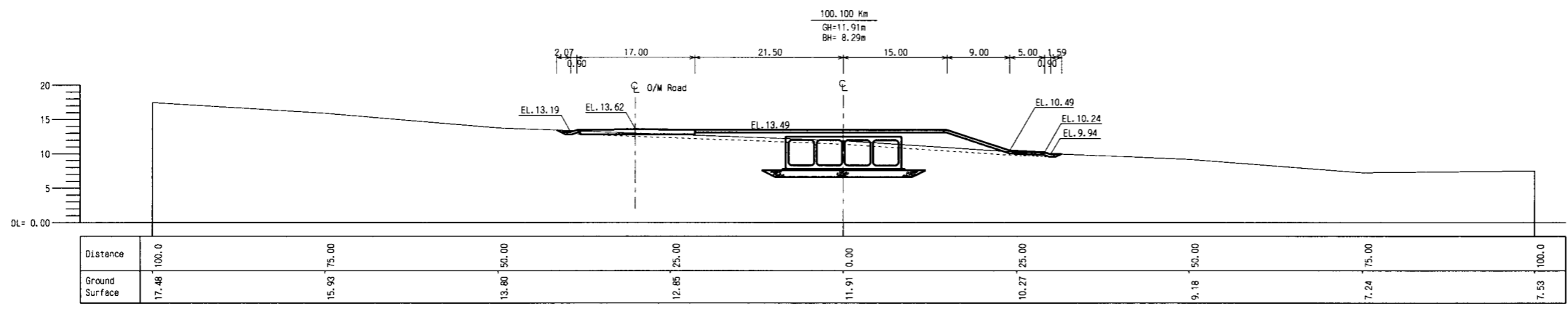
**THE NORTH SINAI INTEGRATED RURAL
DEVELOPMENT PROJECT (PHASE III)**

CONVEYANCE SYSTEM OF EL SHEIKH GABER EL SABBABH CANAL
BETWEEN KM 86.500 AND KM 108.466

**BOX CULVERT
CROSS SECTIONS
BETWEEN KM 99.600 AND KM 100.000**

JAPAN INTERNATIONAL COOPERATION AGENCY (JICA)
SANYU CONSULTANTS INC, PACIFIC CONSULTANTS INTERNATIONAL

DESIGNED	
TRACED	
CHECKED	
APPROVED	
DRAWING NO.	CCL-138



THE ARAB REPUBLIC OF EGYPT
 MINISTRY OF WATER RESOURCES AND IRRIGATION
 NORTH SINAI DEVELOPMENT ORGANIZATION

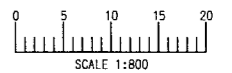
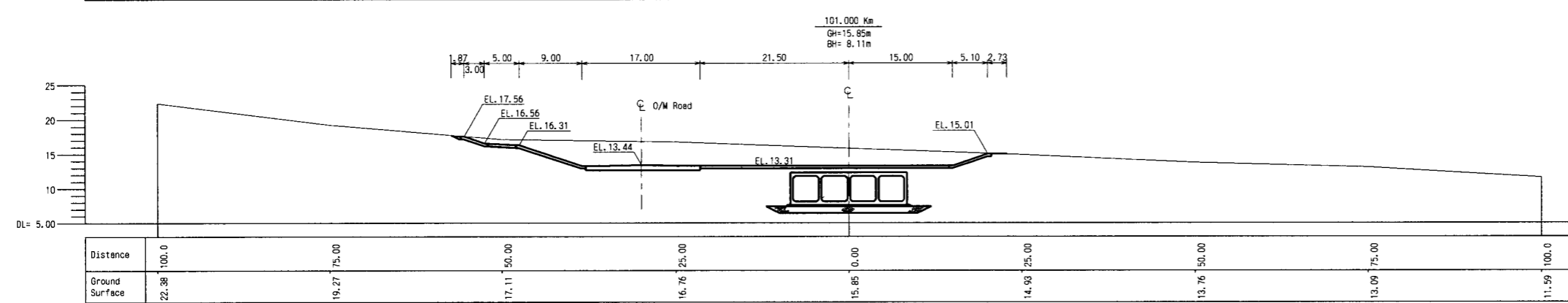
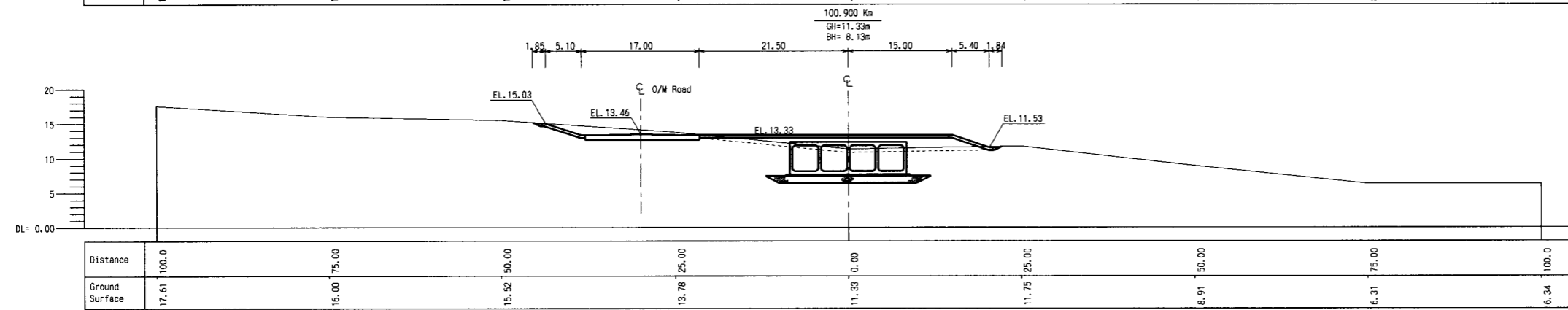
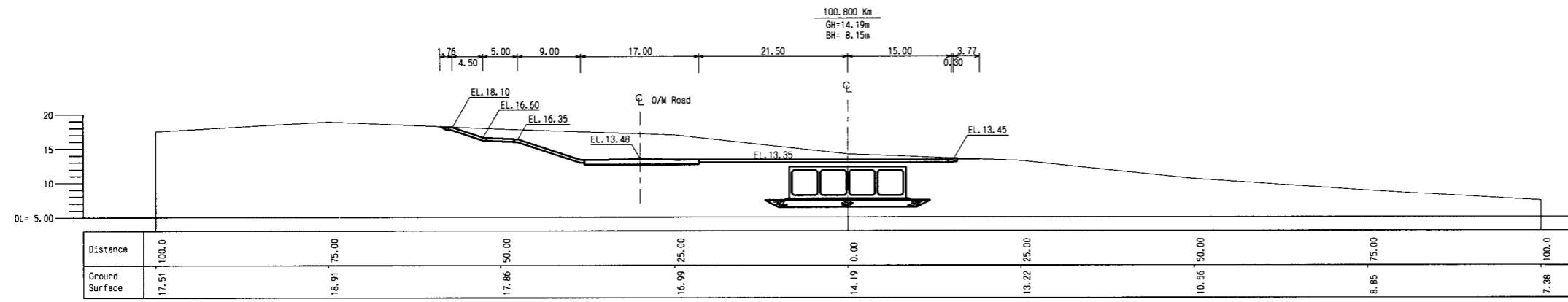
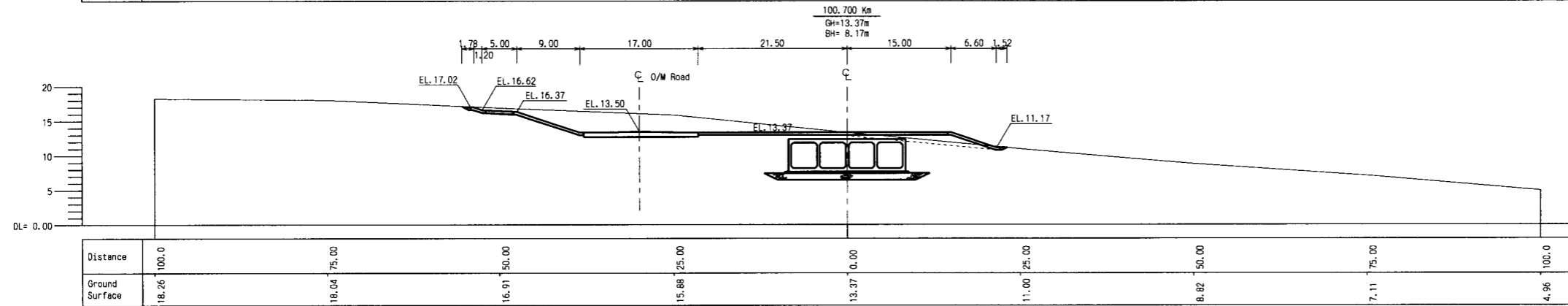
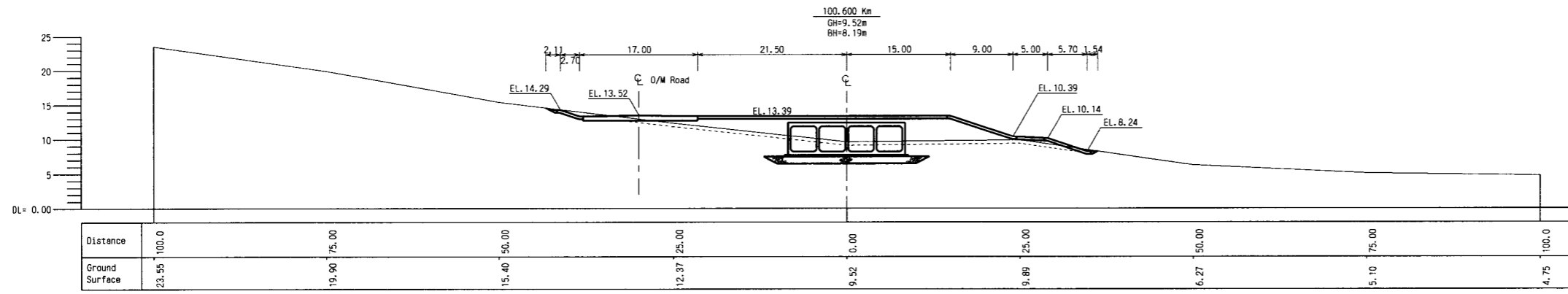
**THE NORTH SINAI INTEGRATED RURAL
 DEVELOPMENT PROJECT (PHASE III)**

CONVEYANCE SYSTEM OF EL SHEIKH GABER EL SABBAAH CANAL
 BETWEEN KM 86.500 AND KM 108.466

**BOX CULVERT
 CROSS SECTIONS
 BETWEEN KM 100.100 AND KM 100.500**

JAPAN INTERNATIONAL COOPERATION AGENCY (JICA)
 SANYU CONSULTANTS INC, PACIFIC CONSULTANTS INTERNATIONAL

DESIGNED	
TRACED	
CHECKED	
APPROVED	
DRAWING NO.	CCL-139



THE ARAB REPUBLIC OF EGYPT
MINISTRY OF WATER RESOURCES AND IRRIGATION
NORTH SINAI DEVELOPMENT ORGANIZATION

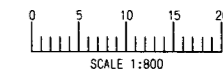
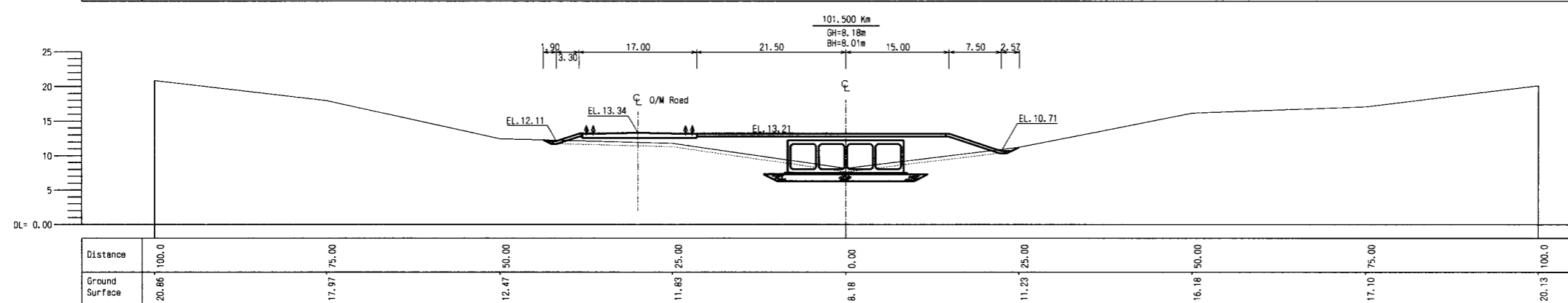
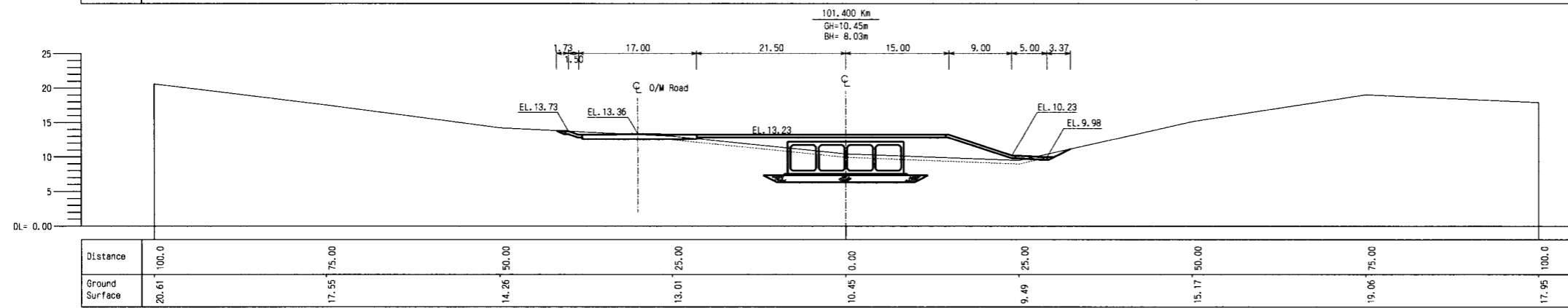
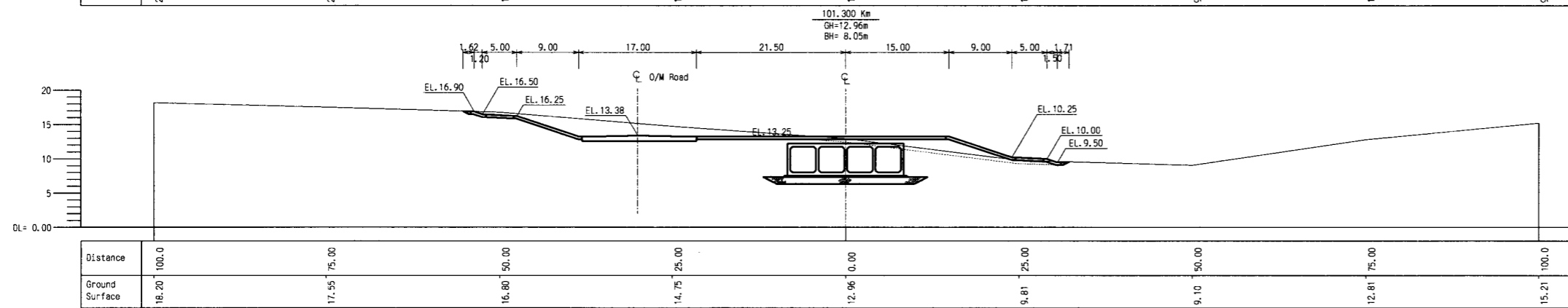
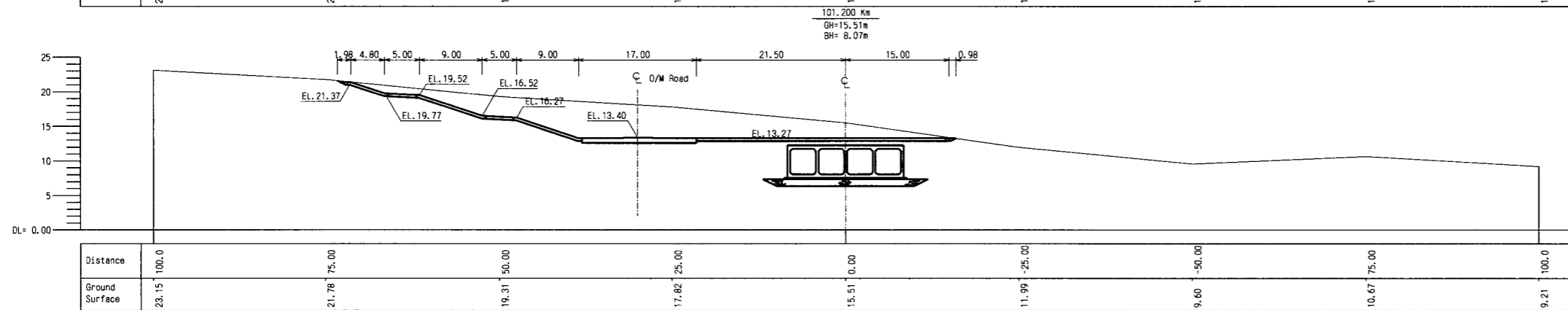
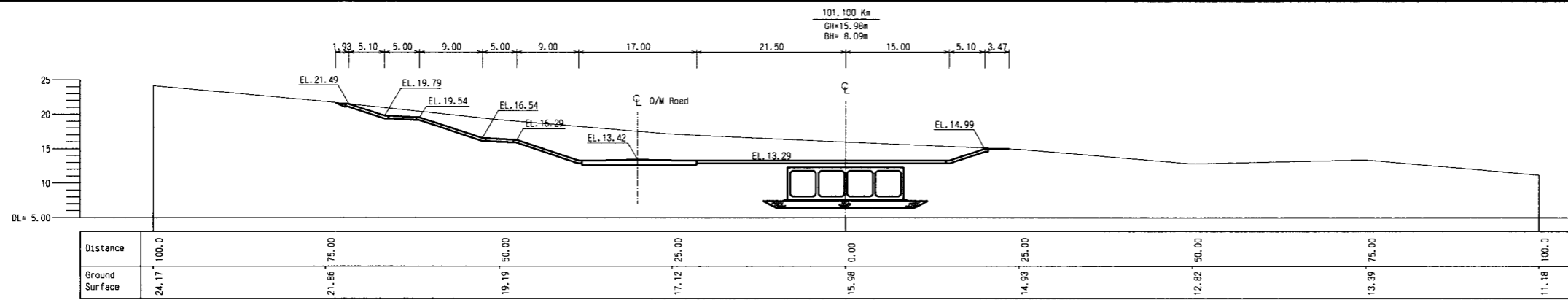
**THE NORTH SINAI INTEGRATED RURAL
DEVELOPMENT PROJECT (PHASE III)**

CONVEYANCE SYSTEM OF EL SHEIKH GABER EL SABBAAH CANAL
BETWEEN KM 86.500 AND KM 108.466

**BOX CULVERT
CROSS SECTIONS
BETWEEN KM 100.600 AND KM 101.000**

JAPAN INTERNATIONAL COOPERATION AGENCY (JICA)
SANYU CONSULTANTS INC, PACIFIC CONSULTANTS INTERNATIONAL

DESIGNED	
TRACED	
CHECKED	
APPROVED	
DRAWING NO.	CCL-140



THE ARAB REPUBLIC OF EGYPT
 MINISTRY OF WATER RESOURCES AND IRRIGATION
 NORTH SINAI DEVELOPMENT ORGANIZATION

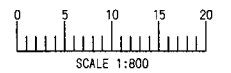
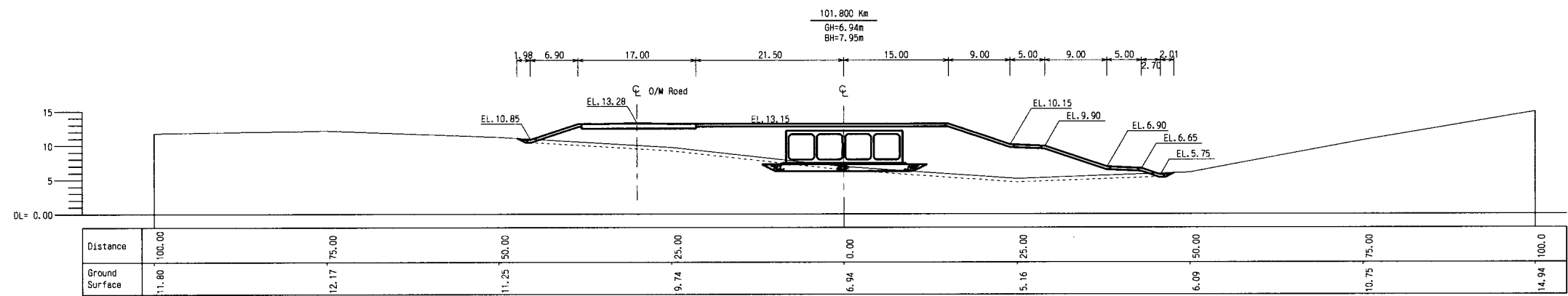
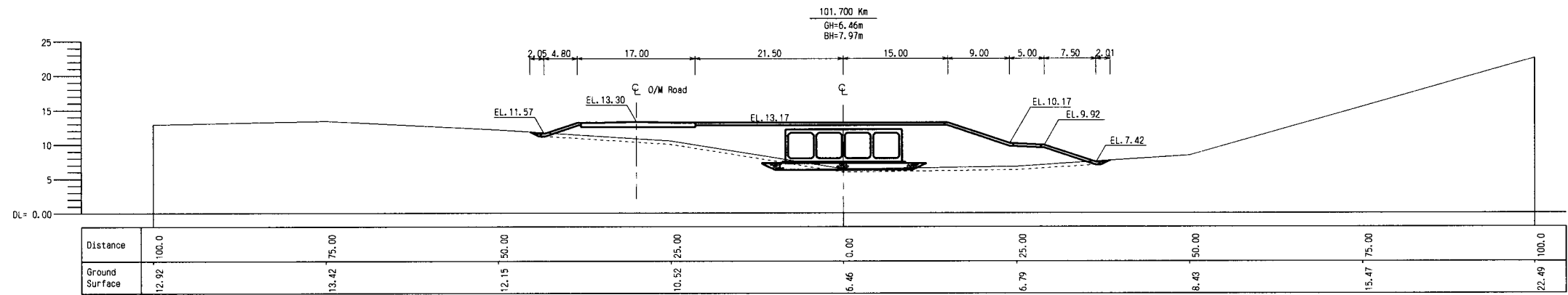
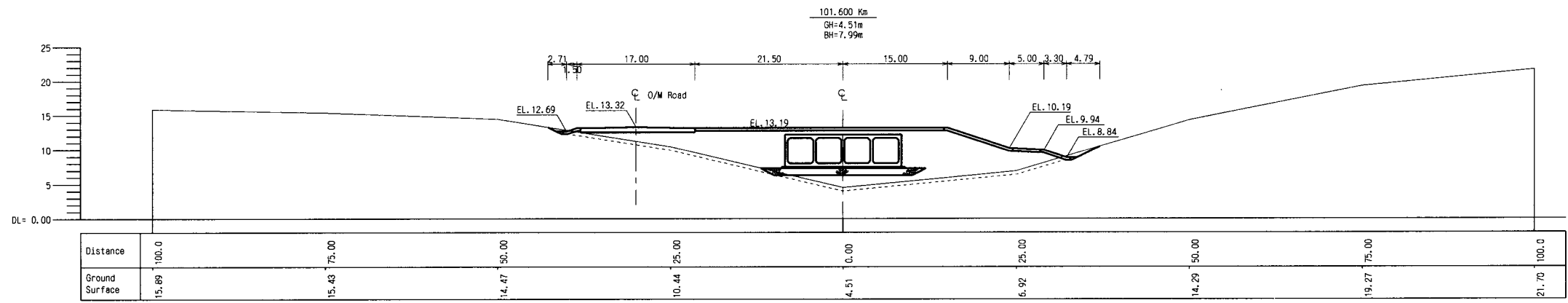
**THE NORTH SINAI INTEGRATED RURAL
 DEVELOPMENT PROJECT (PHASE III)**

CONVEYANCE SYSTEM OF EL SHEIKH GABER EL SABBABH CANAL
 BETWEEN KM 86.500 AND KM 108.466

**BOX CULVERT
 CROSS SECTIONS
 BETWEEN KM 101.100 AND KM 101.500**

JAPAN INTERNATIONAL COOPERATION AGENCY (JICA)
 SANYU CONSULTANTS INC. PACIFIC CONSULTANTS INTERNATIONAL

DESIGNED	
TRACED	
CHECKED	
APPROVED	
DRAWING NO.	CCL-141



THE ARAB REPUBLIC OF EGYPT MINISTRY OF WATER RESOURCES AND IRRIGATION NORTH SINAI DEVELOPMENT ORGANIZATION THE NORTH SINAI INTEGRATED RURAL DEVELOPMENT PROJECT (PHASE III)	
CONVEYANCE SYSTEM OF EL SHEIKH GABER EL SABBAAH CANAL BETWEEN KM 86.500 AND KM 108.466 BOX CULVERT CROSS SECTIONS BETWEEN KM 101.600 AND KM 101.800	
JAPAN INTERNATIONAL COOPERATION AGENCY (JICA) SANYU CONSULTANTS INC, PACIFIC CONSULTANTS INTERNATIONAL	
DESIGNED	
TRACED	
CHECKED	
APPROVED	
DRAWING NO.	CCL-142