

EXTERNAL FINISH

ROOF	BITUMINOUS WATERPROOFING MEMBRANE W/INSULATION 100mm THK, MORTAR 60mm THK, AND GLAZED CERAMIC TILES	ROOF DRAIN	CAST IRON #150
WALL	CEMENT PLASTER W/ PAINT AND BRICK	DOWN SPOUT	PVC PIPE #150
WINDOW	ALUMINIUM GLAZED		
DOOR	STEEL W/ PAINT FINISH		
BASEBOARD	CEMENT PLASTER W/ PAINT ON CONCRETE		

INTERNAL FINISH

ROOM NAME	FINISH	FLOOR		BASE		WALL		CEILING		REMARKS
		STEEL TROWELLED W/ HARDENER FINISH	TERRAZZO TILE	CERAMIC TILE	CEMENT PLASTER W/ PAINT	TERRAZZO TILE	CEMENT PLASTER W/PAINT	CERAMIC TILE (H=FL+2000)	EXPOSED RC STRUCTURE W/PAINT ON PLASTER	
GROUND FLOOR	PUMP HOUSE			○		○	○	○	EX	—
	MAINTENANCE AREA	○				○	○	○	EX	—
	AUXILIARY SUBSTATION			○		○	○	○	EX	—
	WORKSHOP & STORAGE	○		○		○	○	○	EX	V/T
FIRST FLOOR	CONTROL ROOM			○		○	○	○	EX	—
	OFFICE		○		○	○	○	○	EX	—
	MANAGER ROOM		○		○	○	○	○	EX	—
	CONFERENCE ROOM		○		○	○	○	○	EX	—
	REST ROOM		○		○	○	○	○	EX	—
	TOILET (F)		○		○	○	○	○	EX	V/T
	TOILET (M)		○		○	○	○	○	EX	V/T
	PANTRY		○		○	○	○	○	EX	V/T
	CORRIDOR		○		○	○	○	○	EX	—
	STAIRCASE		○		○	○	○	○	EX	—

FLOOR AREA (SUMMARY)

	AREA (sq.m)
GROUND FLOOR	1,793.70
FIRST FLOOR	306.35
TOTAL	2,100.05

FLOOR AREA (BREAKDOWN)

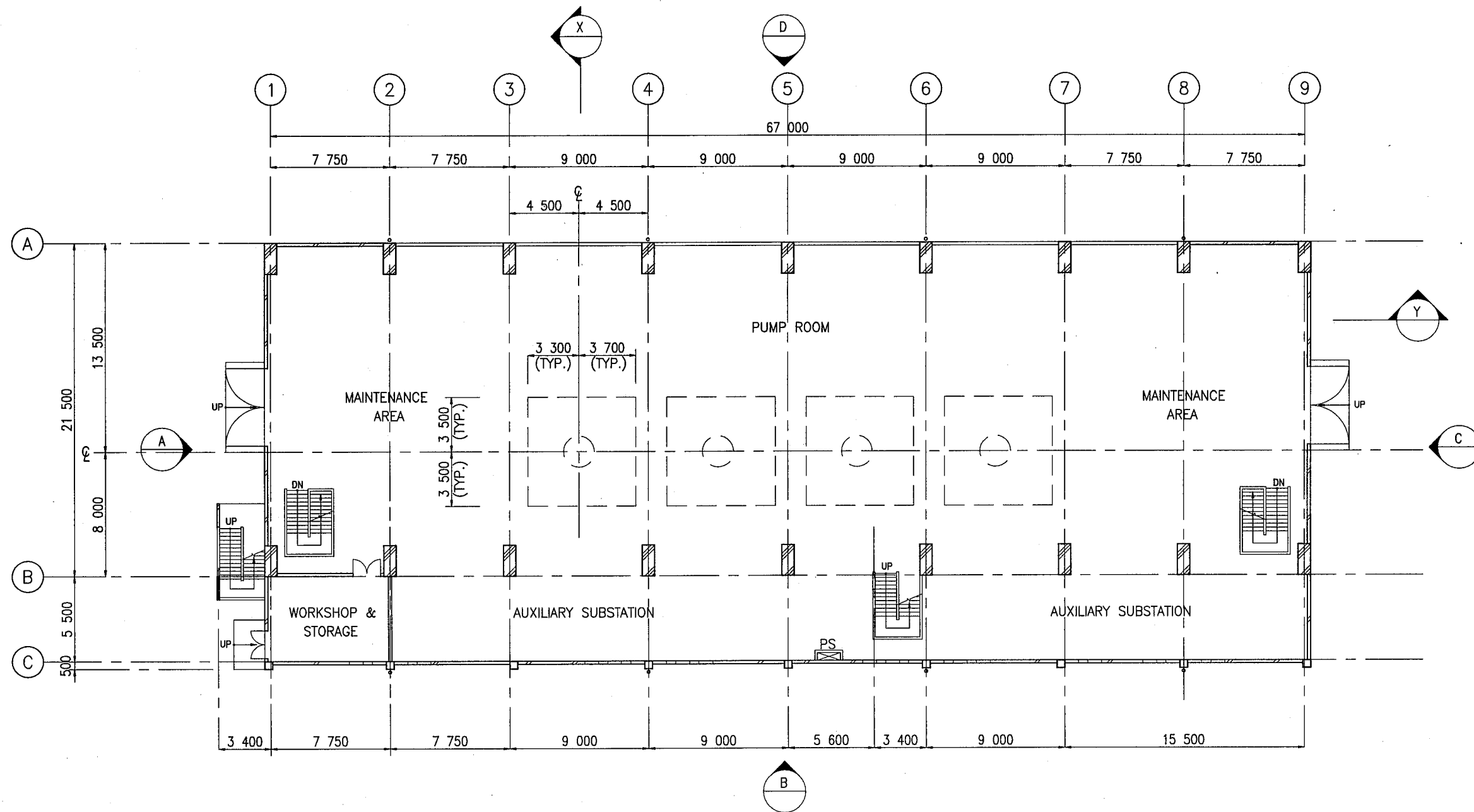
	SIZE	AREA (sq.m)
PUMP HOUSE	67 x 21.5	1,440.5
MAINTENANCE AREA		
AUXILIARY SUBSTATION	59.25 x 5.5 - 3.4 x 4.5	310.58
WORKSHOP & STORAGE	7.75 x 5.5	42.63
	(SUBTOTAL)	1,793.7
CONTROL ROOM	9 x 7.5	67.5
OFFICE	10.5 x 4.0	42.0
MANAGER ROOM	5.0 x 4.0	20.0
CONFERENCE ROOM	9.0 x 4.0	36.0
REST ROOM	6.0 x 4.0 - 2.0 x 2.0	20.0
TOILET (F)	3.0 x 4.0	12.0
TOILET (M)	3.4 x 4.0	13.6
PANTRY	2.0 x 2.0	4.0
CORRIDOR	36.9 x 1.5 + 2.2 x 5.5 + 3.4 x 2.5	75.95
STAIRCASE	3.4 x 4.5	15.3
	(SUBTOTAL)	306.35

THE ARAB REPUBLIC OF EGYPT
 MINISTRY OF WATER RESOURCES AND IRRIGATION
 NORTH SINAI DEVELOPMENT ORGANIZATION
**THE NORTH SINAI INTEGRATED RURAL
 DEVELOPMENT PROJECT (PHASE III)**

CONVEYANCE CANAL SYSTEM
 BETWEEN THE END OF BIR EL ABD ZONE
 UNTIL THE BEGINNING OF EL SIR AND EL KAMAREER ZONE
**PUMPING STATION
 PUMP HOUSE
 FINISHING SCHEDULE (STAGE I)**

JAPAN INTERNATIONAL COOPERATION AGENCY (JICA)
 SANYU CONSULTANTS INC, PACIFIC CONSULTANTS INTERNATIONAL

DESIGNED	
TRACED	
CHECKED	
APPROVED	
DRAWING NO.	BB-01



LEGEND:

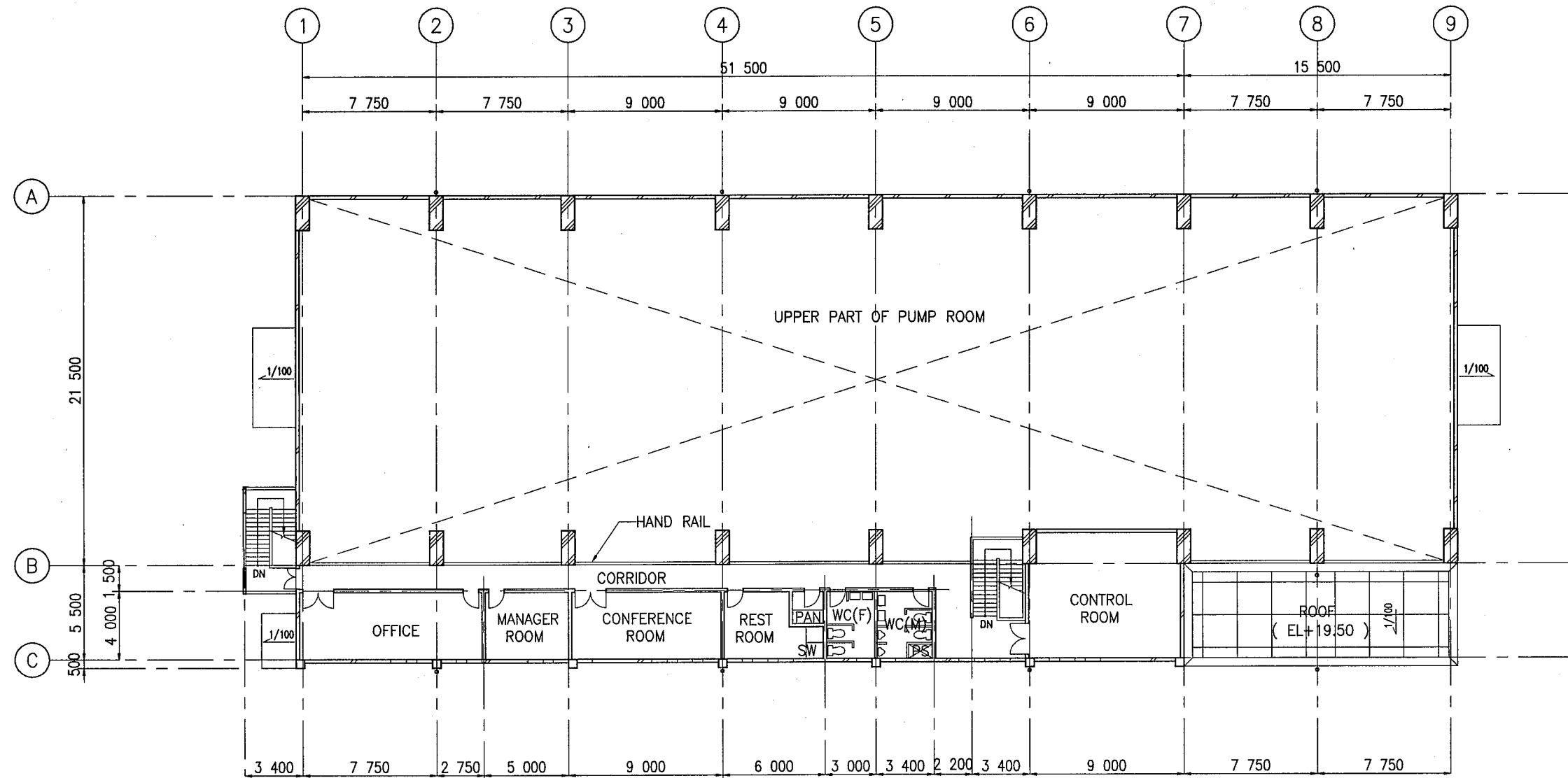
- REINFORCED CONCRETE
- BRICK

THE ARAB REPUBLIC OF EGYPT
MINISTRY OF WATER RESOURCES AND IRRIGATION
NORTH SINAI DEVELOPMENT ORGANIZATION
THE NORTH SINAI INTEGRATED RURAL
DEVELOPMENT PROJECT (PHASE III)

CONVEYANCE CANAL SYSTEM
BETWEEN THE END OF BIR EL ABD ZONE
UNTIL THE BEGINNING OF EL SIR AND EL KAMAREER ZONE
PUMPING STATION
PUMP HOUSE
GROUND FLOOR PLAN (STAGE I)

JAPAN INTERNATIONAL COOPERATION AGENCY (JICA)
SANYU CONSULTANTS INC, PACIFIC CONSULTANTS INTERNATIONAL

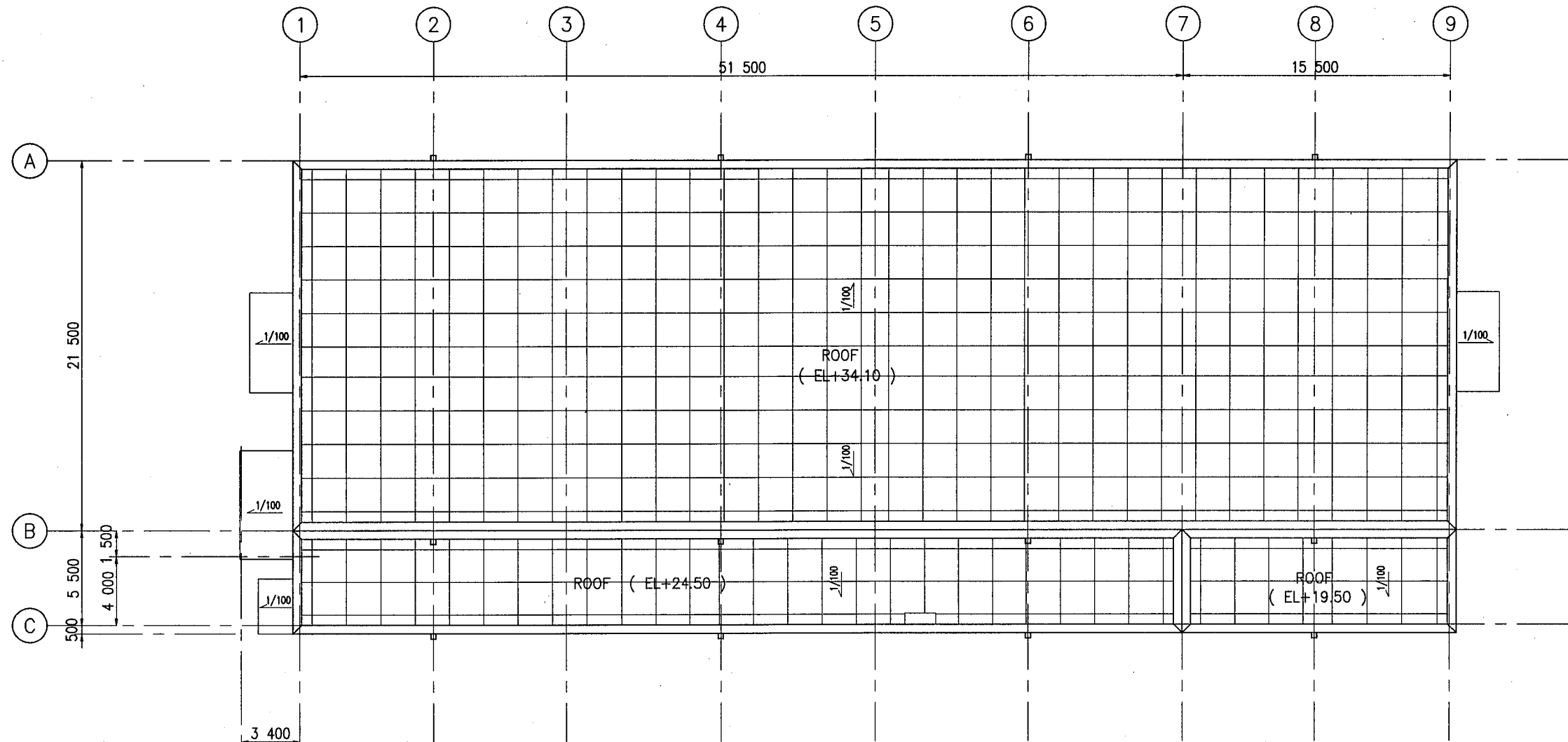
DESIGNED	
TRACED	
CHECKED	
APPROVED	
DRAWING NO.	BB-02



FIRST FLOOR PLAN (EL +19.50)
S=1/300

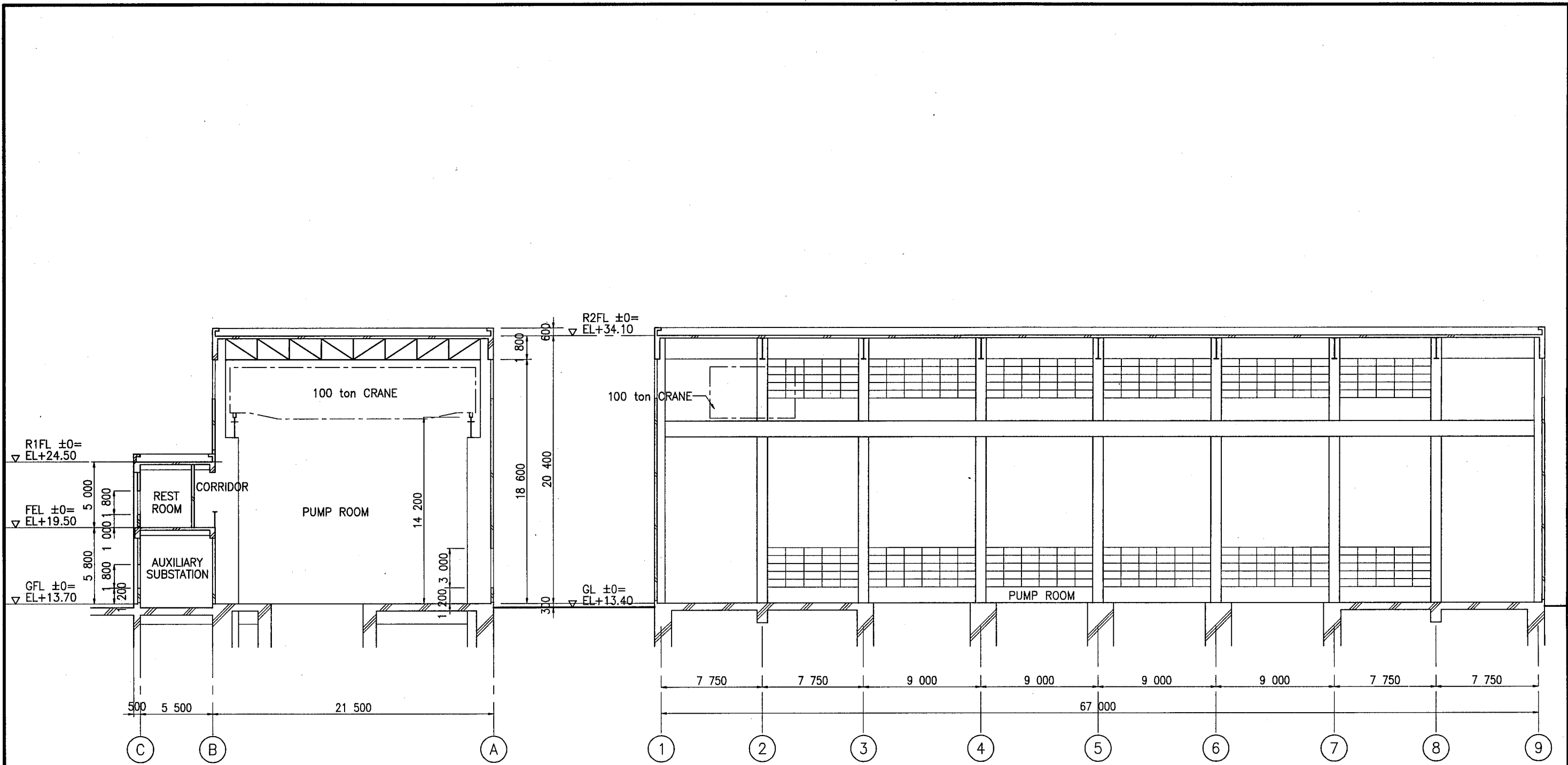
LEGEND:
 // REINFORCED CONCRETE
 // BRICK

THE ARAB REPUBLIC OF EGYPT MINISTRY OF WATER RESOURCES AND IRRIGATION NORTH SINAI DEVELOPMENT ORGANIZATION THE NORTH SINAI INTEGRATED RURAL DEVELOPMENT PROJECT (PHASE III)	
CONVEYANCE CANAL SYSTEM BETWEEN THE END OF BIR EL ABD ZONE UNTIL THE BEGINNING OF EL SIR AND EL KANAREER ZONE PUMPING STATION PUMP HOUSE FIRST FLOOR PLAN (STAGE I)	
JAPAN INTERNATIONAL COOPERATION AGENCY (JICA) SANYU CONSULTANTS INC, PACIFIC CONSULTANTS INTERNATIONAL	
DESIGNED	
TRACED	
CHECKED	
APPROVED	
DRAWING NO.	BB-03



ROOF PLAN (EL +19.50, +24.50,+34.10)
S=1/300

THE ARAB REPUBLIC OF EGYPT MINISTRY OF WATER RESOURCES AND IRRIGATION NORTH SINAI DEVELOPMENT ORGANIZATION THE NORTH SINAI INTEGRATED RURAL DEVELOPMENT PROJECT (PHASE III)	
CONVEYANCE CANAL SYSTEM BETWEEN THE END OF BIR EL ABD ZONE UNTIL THE BEGINNING OF EL SIR AND EL KAWAREER ZONE PUMPING STATION PUMP HOUSE ROOF PLAN (STAGE I)	
JAPAN INTERNATIONAL COOPERATION AGENCY (JICA) SANYU CONSULTANTS INC, PACIFIC CONSULTANTS INTERNATIONAL	
DESIGNED	
TRACED	
CHECKED	
APPROVED	
DRAWING NO.	BB-04

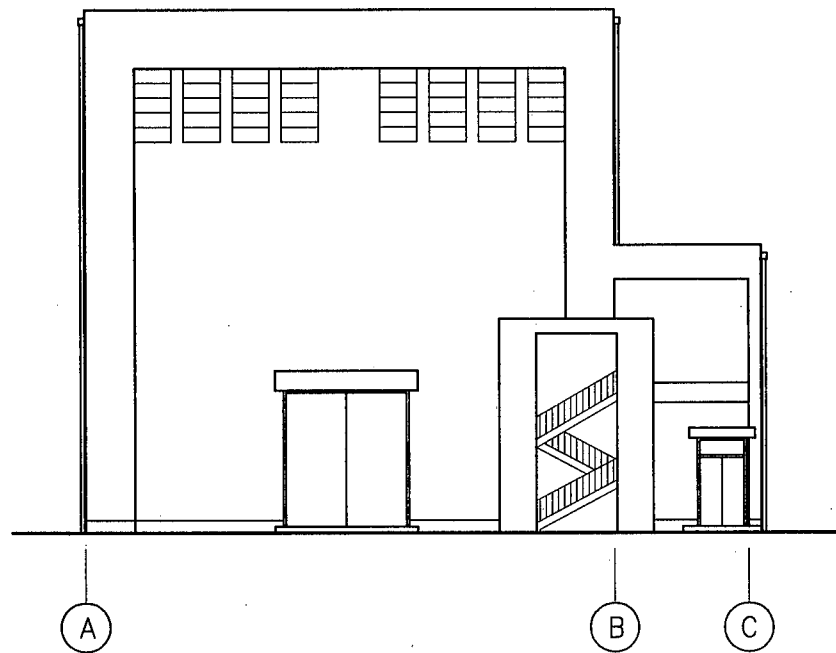


(X) SECTION
S=1/300

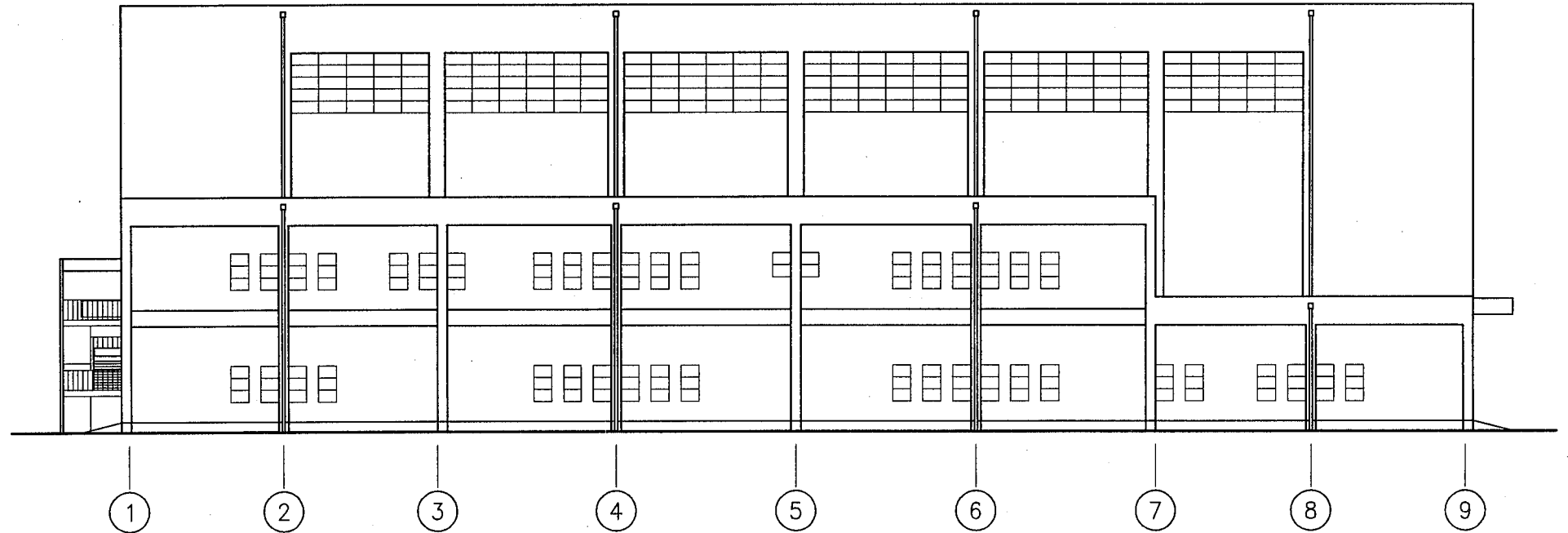
(Y) SECTION
S=1/300

LEGEND:
 // REINFORCED CONCRETE
 // BRICK

THE ARAB REPUBLIC OF EGYPT MINISTRY OF WATER RESOURCES AND IRRIGATION NORTH SINAI DEVELOPMENT ORGANIZATION THE NORTH SINAI INTEGRATED RURAL DEVELOPMENT PROJECT (PHASE III)	
CONVEYANCE CANAL SYSTEM BETWEEN THE END OF BIR EL ASD ZONE UNTIL THE BEGINNING OF EL SIR AND EL KAWAREER ZONE PUMPING STATION PUMP HOUSE SECTIONS (STAGE I)	
JAPAN INTERNATIONAL COOPERATION AGENCY (JICA) SANYU CONSULTANTS INC, PACIFIC CONSULTANTS INTERNATIONAL	
DESIGNED	
TRACED	
CHECKED	
APPROVED	
DRAWING NO.	BB-05

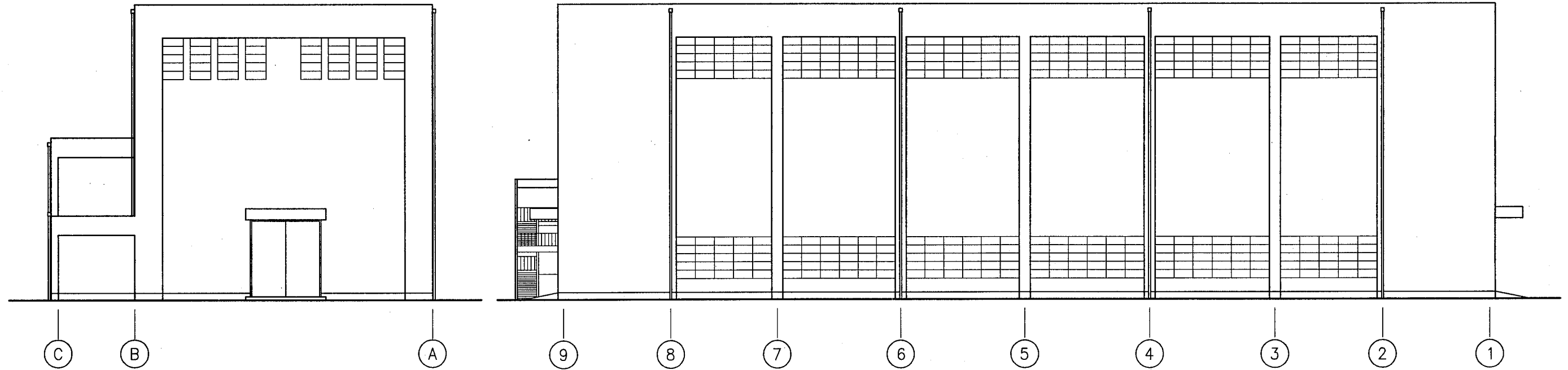


A ELEVATION
S=1/300



B ELEVATION
S=1/300

THE ARAB REPUBLIC OF EGYPT MINISTRY OF WATER RESOURCES AND IRRIGATION NORTH SINAI DEVELOPMENT ORGANIZATION THE NORTH SINAI INTEGRATED RURAL DEVELOPMENT PROJECT (PHASE III)	
CONVEYANCE CANAL SYSTEM BETWEEN THE END OF BIR EL ABD ZONE UNTIL THE BEGINNING OF EL SIR AND EL KAMAREER ZONE PUMPING STATION PUMP HOUSE ELEVATION-1 (STAGE 1)	
JAPAN INTERNATIONAL COOPERATION AGENCY (JICA) SANYU CONSULTANTS INC, PACIFIC CONSULTANTS INTERNATIONAL	
DESIGNED	
TRACED	
CHECKED	
APPROVED	
DRAWING NO.	BB-06



(C) ELEVATION
S=1/300

(D) ELEVATION
S=1/300

THE ARAB REPUBLIC OF EGYPT MINISTRY OF WATER RESOURCES AND IRRIGATION NORTH SINAI DEVELOPMENT ORGANIZATION THE NORTH SINAI INTEGRATED RURAL DEVELOPMENT PROJECT (PHASE III)	
CONVEYANCE CANAL SYSTEM BETWEEN THE END OF BIR EL ABD ZONE UNTIL THE BEGINNING OF EL SIR AND EL KAMAREER ZONE PUMPING STATION PUMP HOUSE ELEVATION-2 (STAGE I)	
JAPAN INTERNATIONAL COOPERATION AGENCY (JICA) SANYU CONSULTANTS INC, PACIFIC CONSULTANTS INTERNATIONAL	
DESIGNED	
TRACED	
CHECKED	
APPROVED	
DRAWING NO.	BB-07

EXTERNAL FINISH

ROOF	BITUMINOUS WATERPROOFING MEMBRANE W/INSULATION 100mm THK, MORTAR 60mm THK, AND GLAZED CERAMIC TILES	ROOF DRAIN	CAST IRON #150
WALL	CEMENT PLASTER W/ PAINT AND BRICK	DOWN SPOUT	PVC PIPE #150
WINDOW	ALUMINIUM GLAZED		
DOOR	STEEL W/ PAINT FINISH		
BASEBOARD	CEMENT PLASTER W/ PAINT ON CONCRETE		

INTERNAL FINISH

ROOM NAME	FINISH	FLOOR		BASE		WALL		CEILING		REMARKS
		STEEL TROWELLED W/ HARDENER FINISH	TERRAZZO TILE	CERAMIC TILE	CEMENT PLASTER W/ PAINT	TERRAZZO TILE	CEMENT PLASTER W/PAINT	CERAMIC TILE (H=FL+2000)	EXPOSED RC STRUCTURE W/PAINT ON PLASTER	
GROUND FLOOR	PUMP HOUSE			○		○	○	○	EX	—
	MAINTENANCE AREA	○				○	○	○	EX	—
	AUXILIARY SUBSTATION			○		○	○	○	EX	—
	WORKSHOP & STORAGE	○		○		○		○	EX	V/T
FIRST FLOOR	CONTROL ROOM			○		○	○	○	EX	—
	OFFICE		○		○	○	○	○	EX	—
	MANAGER ROOM		○		○	○	○	○	EX	—
	REST ROOM		○		○	○	○	○	EX	—
	TOILET (F)		○		○	○	○	○	EX	V/T
	TOILET (M)		○		○	○	○	○	EX	V/T
	PANTRY		○		○	○	○	○	EX	V/T
	CORRIDOR		○		○	○	○	○	EX	—
	STAIRCASE		○		○		○	○	EX	—

FLOOR AREA (SUMMARY)

	AREA (sq.m)
GROUND FLOOR	1,550.70
FIRST FLOOR	256.85
TOTAL	1,807.55

FLOOR AREA (BREAKDOWN)

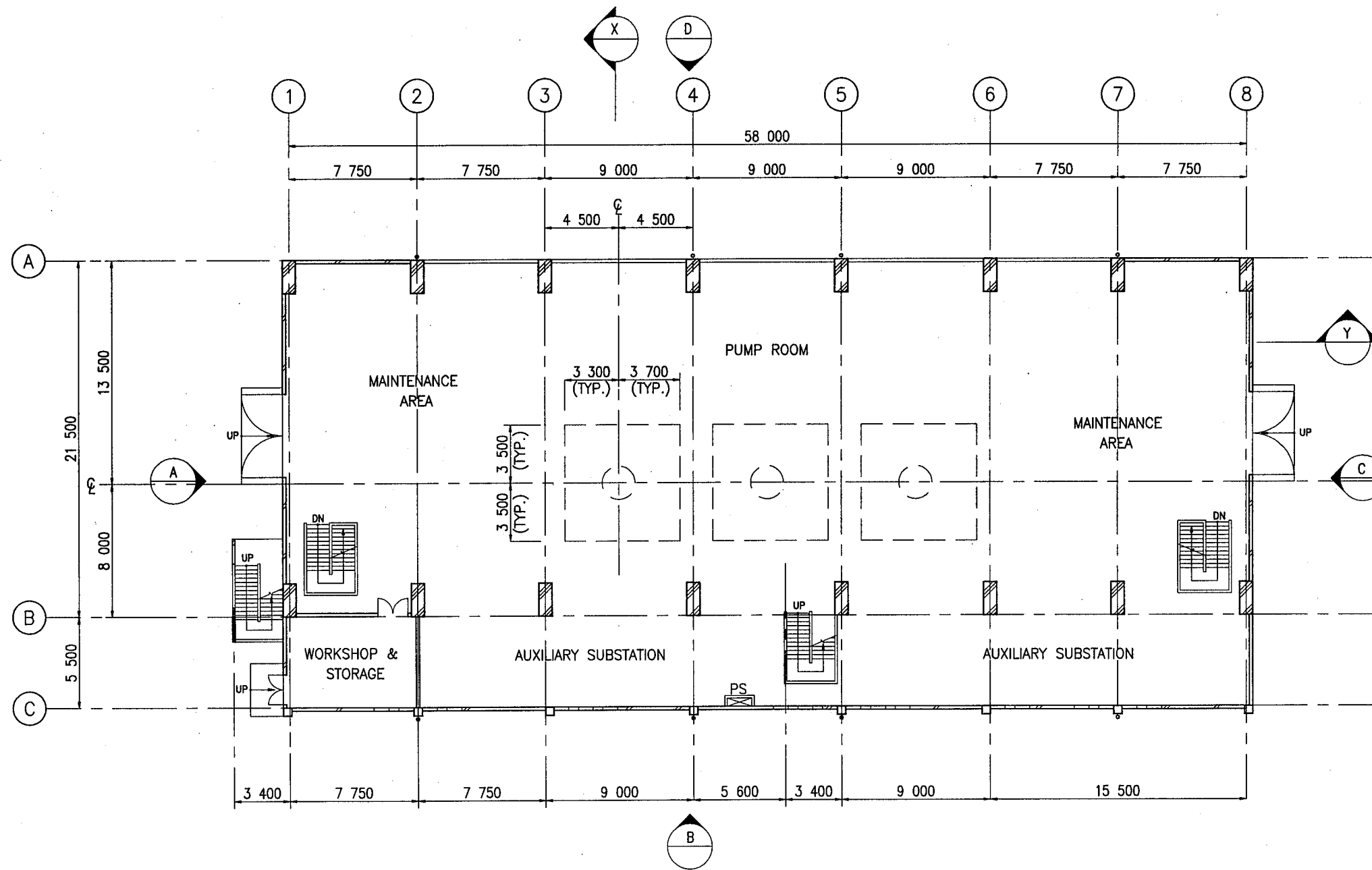
	SIZE	AREA (sq.m)
PUMP HOUSE	58 x 21.5	1,247.0
MAINTENANCE AREA		
AUXILIARY SUBSTATION	50.25 x 5.5 - 3.4 x 4.5	261.08
WORKSHOP & STORAGE	7.75 x 5.5	42.63
	(SUBTOTAL)	1,550.7
CONTROL ROOM	9 x 7.5	67.5
OFFICE	10.5 x 4.0	42.0
MANAGER ROOM	5.0 x 4.0	20.0
REST ROOM	6.0 x 4.0 - 2.0 x 2.0	20.0
TOILET (F)	3.0 x 4.0	12.0
TOILET (M)	3.4 x 4.0	13.6
PANTRY	2.0 x 2.0	4.0
CORRIDOR	27.9 x 1.5 + 2.2 x 5.5 + 3.4 x 2.5	62.45
STAIRCASE	3.4 x 4.5	15.3
	(SUBTOTAL)	256.85

THE ARAB REPUBLIC OF EGYPT
 MINISTRY OF WATER RESOURCES AND IRRIGATION
 NORTH SINAI DEVELOPMENT ORGANIZATION
THE NORTH SINAI INTEGRATED RURAL DEVELOPMENT PROJECT (PHASE III)

CONVEYANCE CANAL SYSTEM
 BETWEEN THE END OF BIR EL ABD ZONE
 UNTIL THE BEGINNING OF EL SIR AND EL KAMAREER ZONE
PUMPING STATION
PUMP HOUSE
FINISHING SCHEDULE (STAGE II)

JAPAN INTERNATIONAL COOPERATION AGENCY (JICA)
 SANYU CONSULTANTS INC. PACIFIC CONSULTANTS INTERNATIONAL

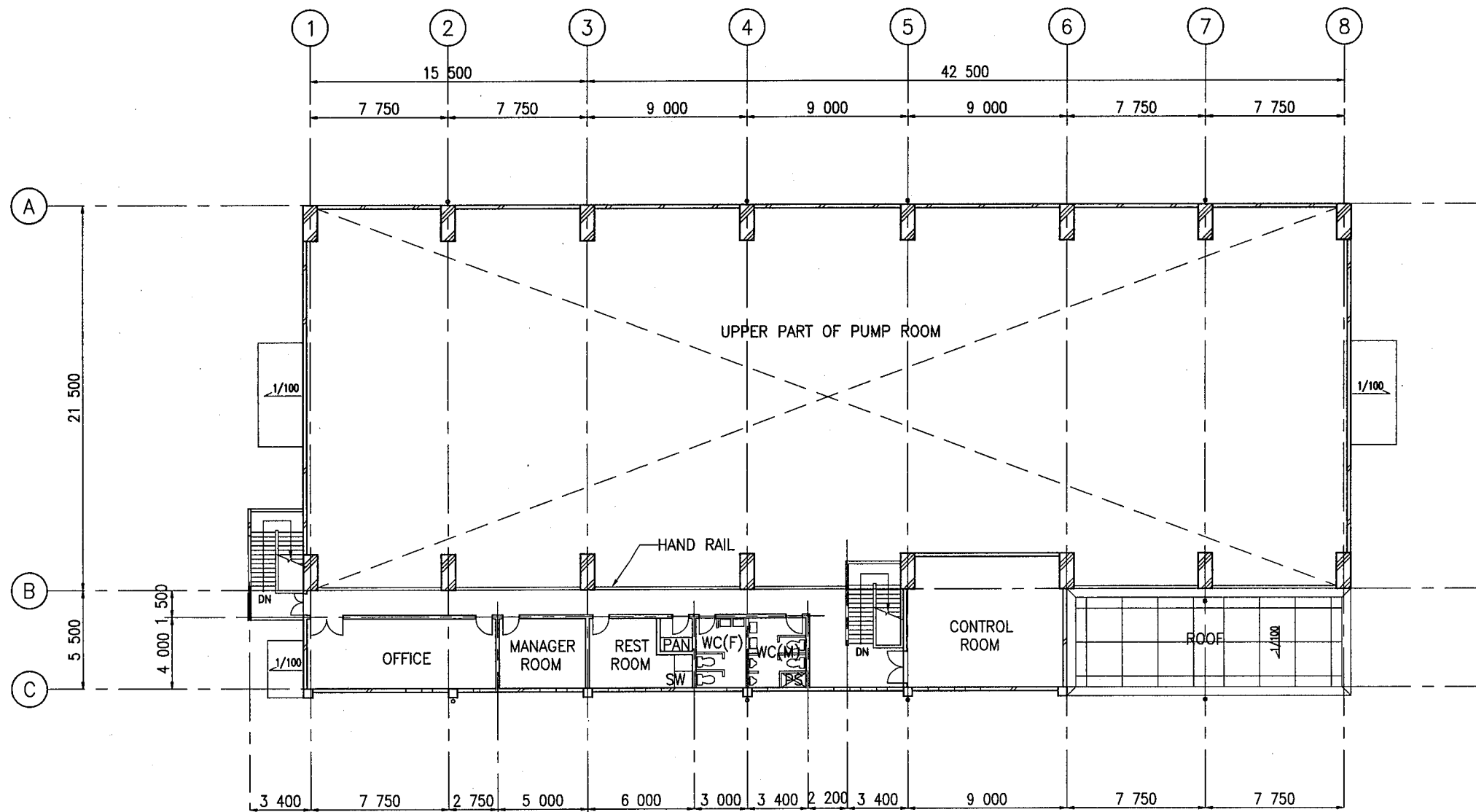
DESIGNED	
TRACED	
CHECKED	
APPROVED	
DRAWING NO.	BB-08



LEGEND:
 // REINFORCED CONCRETE
 // BRICK


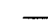
GROUND FLOOR PLAN (EL. +13.70)
 S=1/300

THE ARAB REPUBLIC OF EGYPT MINISTRY OF WATER RESOURCES AND IRRIGATION NORTH SINAI DEVELOPMENT ORGANIZATION THE NORTH SINAI INTEGRATED RURAL DEVELOPMENT PROJECT (PHASE III)	
CONVEYANCE CANAL SYSTEM BETWEEN THE END OF BIR EL ABD ZONE UNTIL THE BEGINNING OF EL SIR AND EL KAMAREER ZONE PUMPING STATION PUMP HOUSE GROUND FLOOR PLAN (STAGE II)	
JAPAN INTERNATIONAL COOPERATION AGENCY (JICA) SANYU CONSULTANTS INC, PACIFIC CONSULTANTS INTERNATIONAL	
DESIGNED	
TRACED	
CHECKED	
APPROVED	
DRAWING NO.	BB-09



FIRST FLOOR PLAN (EL +19.50)
S=1/300

LEGEND:

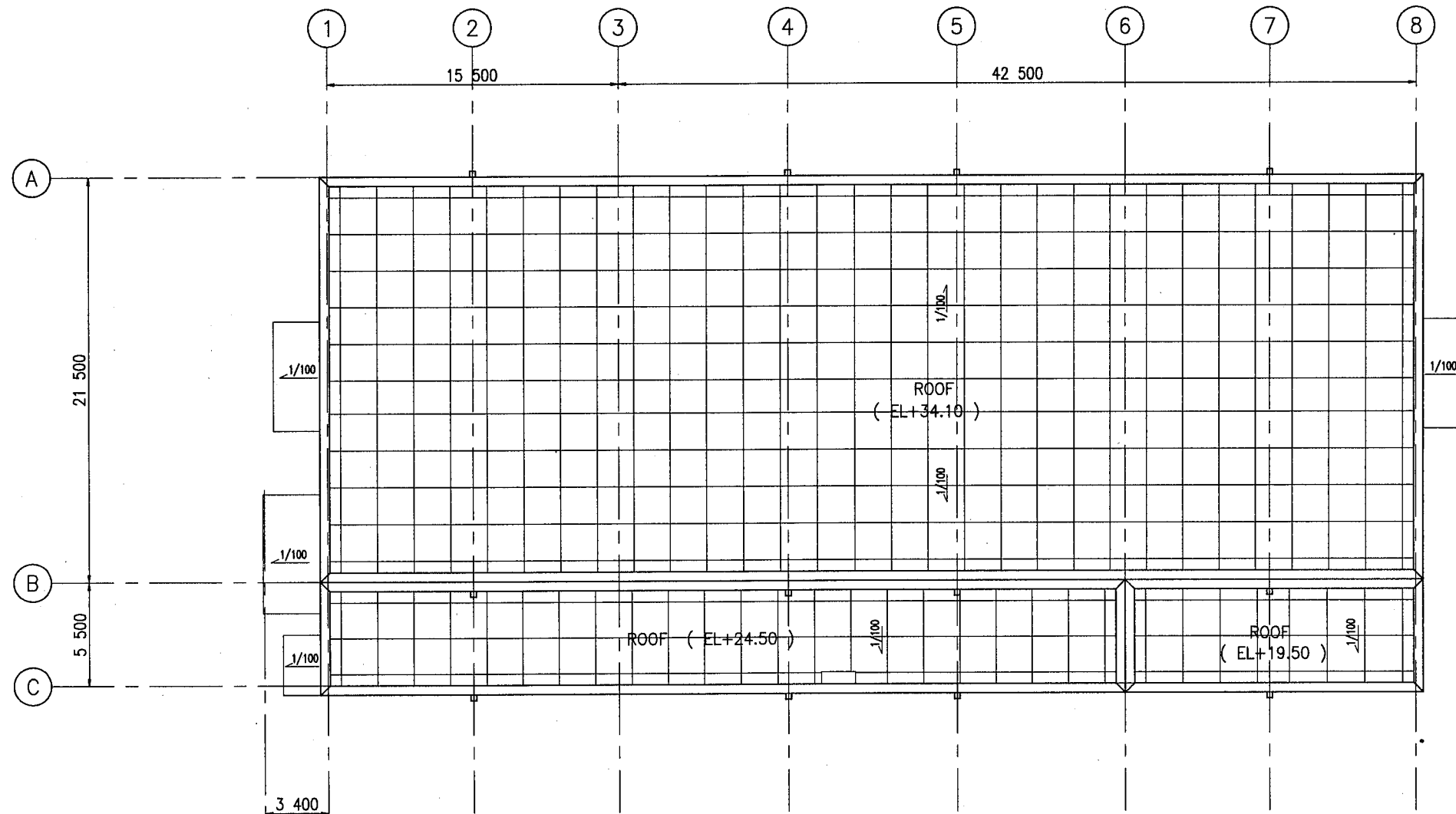
-  REINFORCED CONCRETE
-  BRICK

THE ARAB REPUBLIC OF EGYPT
MINISTRY OF WATER RESOURCES AND IRRIGATION
NORTH SINAI DEVELOPMENT ORGANIZATION
THE NORTH SINAI INTEGRATED RURAL
DEVELOPMENT PROJECT (PHASE III)

CONVEYANCE CANAL SYSTEM
BETWEEN THE END OF BIR EL ABD ZONE
UNTIL THE BEGINNING OF EL SIR AND EL KANAREER ZONE
PUMPING STATION
PUMP HOUSE
FIRST FLOOR PLAN (STAGE II)

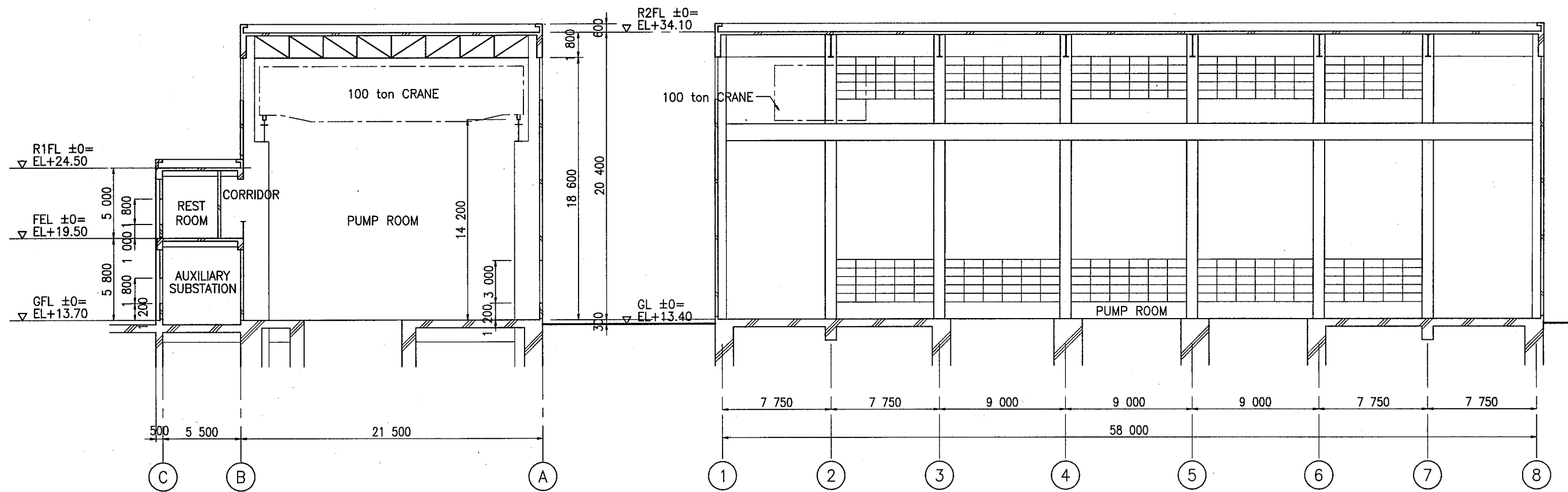
JAPAN INTERNATIONAL COOPERATION AGENCY (JICA)
SANYU CONSULTANTS INC, PACIFIC CONSULTANTS INTERNATIONAL

DESIGNED	
TRACED	
CHECKED	
APPROVED	
DRAWING NO.	BB-10



ROOF PLAN (EL +19.50, +24.50,+34.10)
S=1/300

THE ARAB REPUBLIC OF EGYPT MINISTRY OF WATER RESOURCES AND IRRIGATION NORTH SINAI DEVELOPMENT ORGANIZATION THE NORTH SINAI INTEGRATED RURAL DEVELOPMENT PROJECT (PHASE III)	
CONVEYANCE CANAL SYSTEM BETWEEN THE END OF BIR EL ABD ZONE UNTIL THE BEGINNING OF EL SIR AND EL KANAREER ZONE PUMPING STATION PUMP HOUSE ROOF PLAN (STAGE II)	
JAPAN INTERNATIONAL COOPERATION AGENCY (JICA) SANYU CONSULTANTS INC, PACIFIC CONSULTANTS INTERNATIONAL	
DESIGNED	
TRACED	
CHECKED	
APPROVED	
DRAWING NO.	BB-11



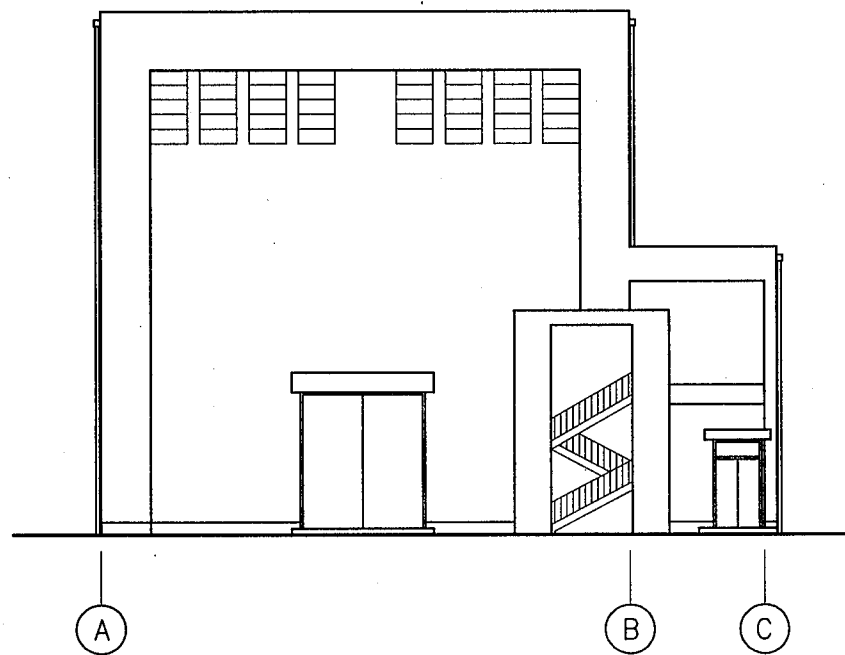
(X) SECTION
S=1/300

(Y) SECTION
S=1/300

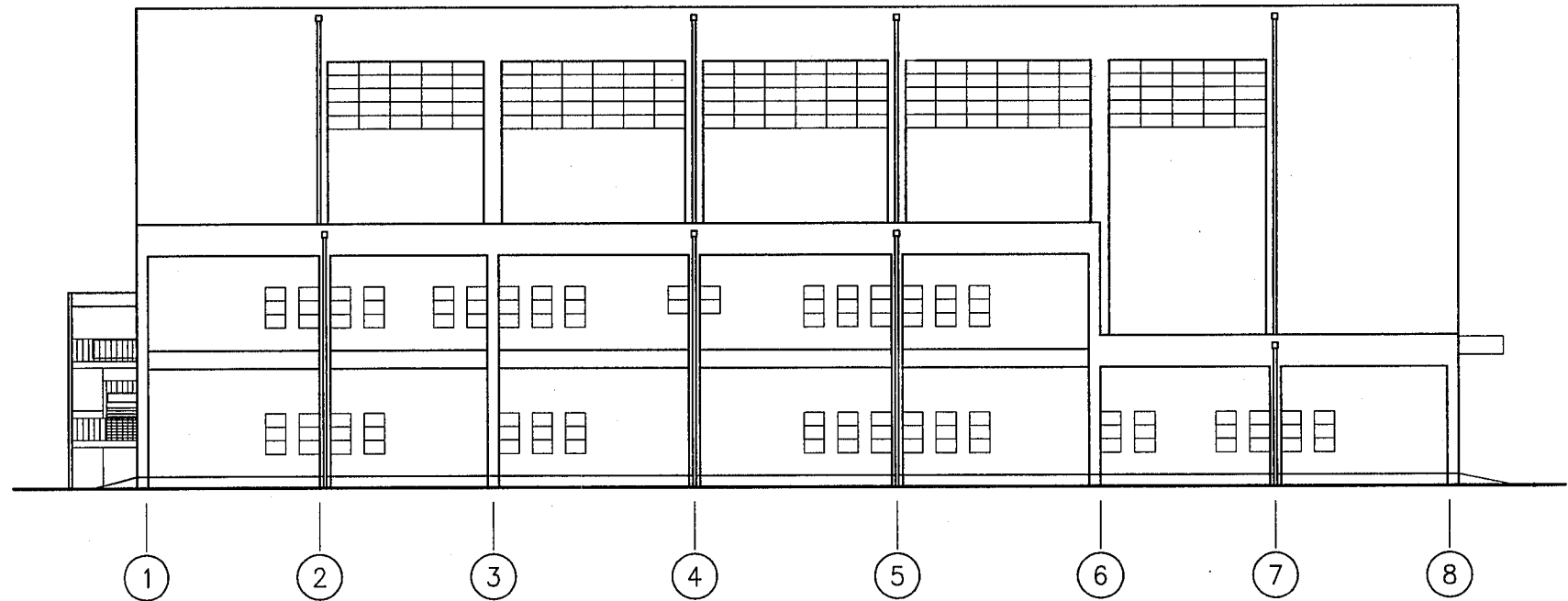
LEGEND:

- REINFORCED CONCRETE
- BRICK

THE ARAB REPUBLIC OF EGYPT MINISTRY OF WATER RESOURCES AND IRRIGATION NORTH SINAI DEVELOPMENT ORGANIZATION THE NORTH SINAI INTEGRATED RURAL DEVELOPMENT PROJECT (PHASE III)	
CONVEYANCE CANAL SYSTEM BETWEEN THE END OF BIR EL ABD ZONE UNTIL THE BEGINNING OF EL SIR AND EL KANAREER ZONE PUMPING STATION PUMP HOUSE SECTIONS (STAGE II)	
JAPAN INTERNATIONAL COOPERATION AGENCY (JICA) SANYU CONSULTANTS INC, PACIFIC CONSULTANTS INTERNATIONAL	
DESIGNED	
TRACED	
CHECKED	
APPROVED	
DRAWING NO.	BB-12

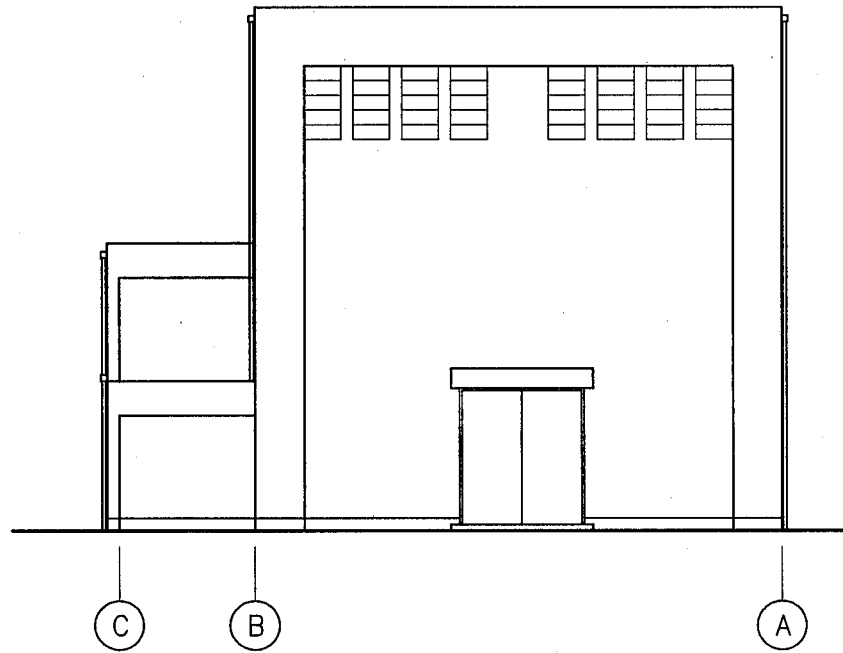


A ELEVATION
S=1/300

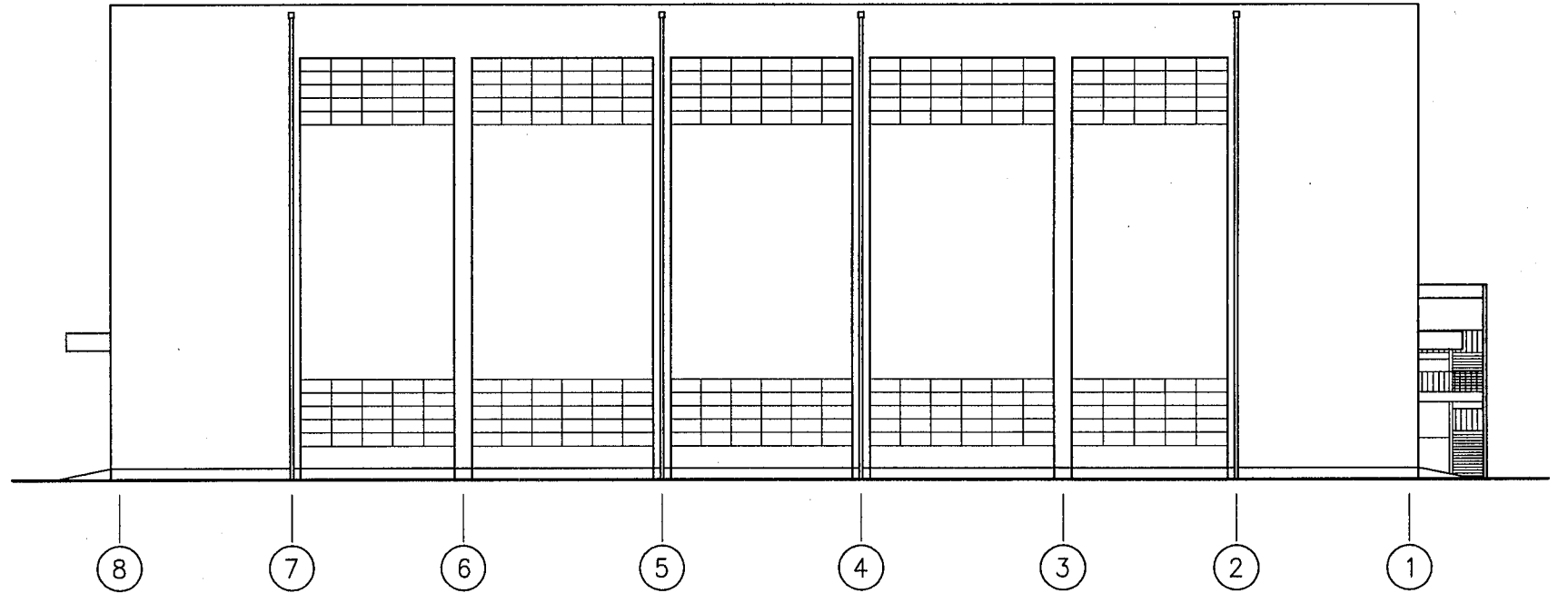


B ELEVATION
S=1/300

THE ARAB REPUBLIC OF EGYPT MINISTRY OF WATER RESOURCES AND IRRIGATION NORTH SINAI DEVELOPMENT ORGANIZATION THE NORTH SINAI INTEGRATED RURAL DEVELOPMENT PROJECT (PHASE III)	
CONVEYANCE CANAL SYSTEM BETWEEN THE END OF BIR EL ABD ZONE UNTIL THE BEGINNING OF EL SIR AND EL KAWAREER ZONE PUMPING STATION PUMP HOUSE ELEVATION-1 (STAGE II)	
JAPAN INTERNATIONAL COOPERATION AGENCY (JICA) SANYU CONSULTANTS INC, PACIFIC CONSULTANTS INTERNATIONAL	
DESIGNED	
TRACED	
CHECKED	
APPROVED	
DRAWING NO.	BB-13

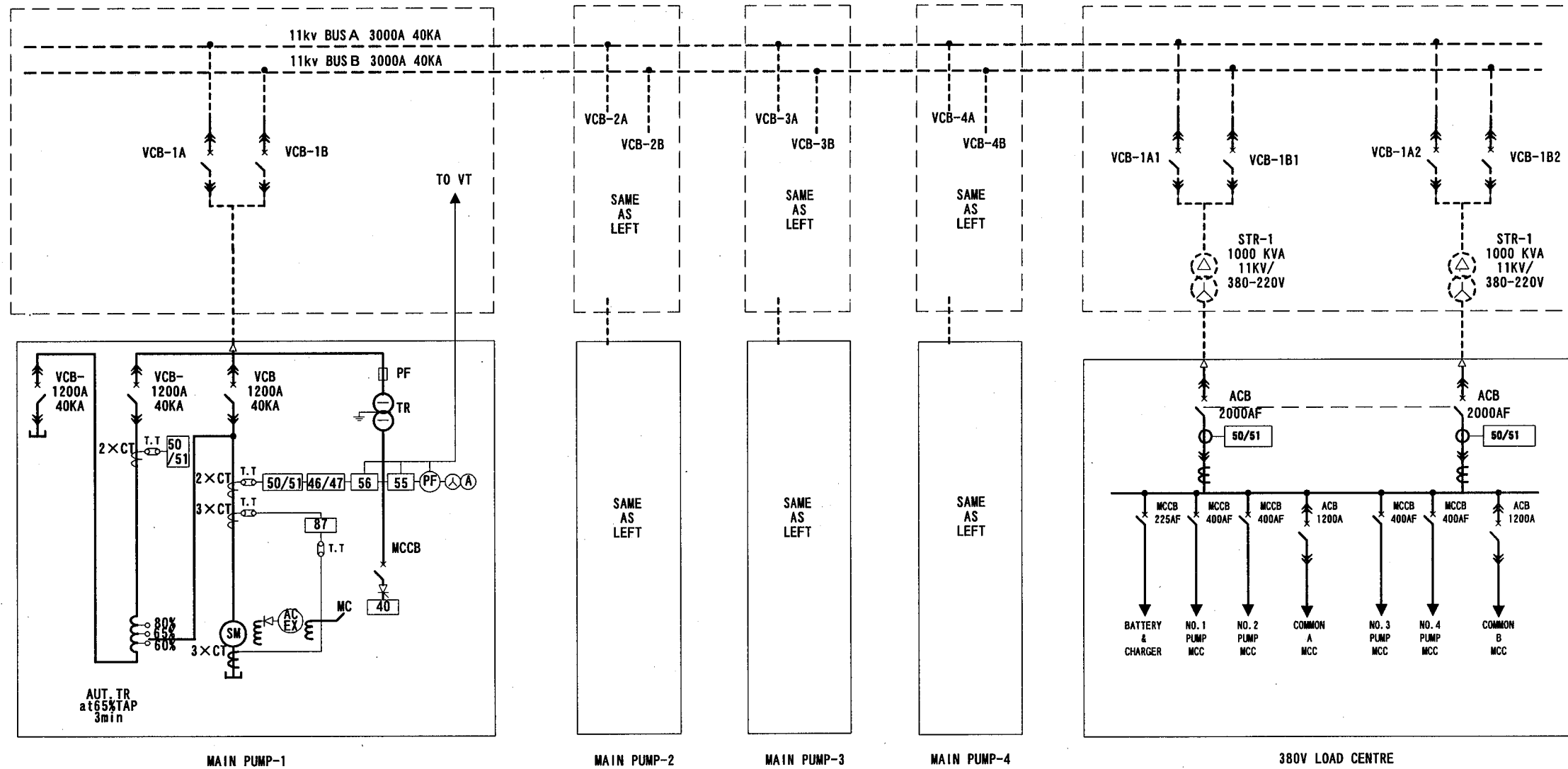


C ELEVATION
S=1/300



D ELEVATION
S=1/300

THE ARAB REPUBLIC OF EGYPT MINISTRY OF WATER RESOURCES AND IRRIGATION NORTH SINAI DEVELOPMENT ORGANIZATION THE NORTH SINAI INTEGRATED RURAL DEVELOPMENT PROJECT (PHASE III)	
CONVEYANCE CANAL SYSTEM BETWEEN THE END OF BIR EL ABD ZONE UNTIL THE BEGINNING OF EL SIR AND EL KAMAREER ZONE PUMPING STATION PUMP HOUSE ELEVATION-2 (STAGE I)	
JAPAN INTERNATIONAL COOPERATION AGENCY (JICA) SANYU CONSULTANTS INC, PACIFIC CONSULTANTS INTERNATIONAL	
DESIGNED	
TRACED	
CHECKED	
APPROVED	
DRAWING NO.	BB-14



- LEGENDS:**
- (SM) : SYNCHRONOUS MOTOR
 - VCB : VACUUM CIRCUIT BREAKER
 - VT : VOLTAGE TRANSFORMER
 - CT : CURRENT TRANSFORMER
 - PF : POWER FUSE
 - (PF) : POWER FACTOR METER
 - (AC EX) : AC EXCITER
 - MCCB : MOLDED CASE CIRCUIT BREAKER
 - T.T : TEST TERMINAL
 - [50/51] : OVER CURRENT RELAY WITH INSTANTANEOUS TRIP TYPE
 - [46/47] : ONE PHASE / REVERSE PHASE
 - [51G] : GROUND FAULT RELAY
 - [55] : POWER FACTOR RELAY
 - [56] : OUT OF STEP DETECTING RELAY
 - [40] : DC UNDER CURRENT RELAY
 - [87] : DIFFERENTIAL RELAY
 - ACB : AIR CIRCUIT BREAKER

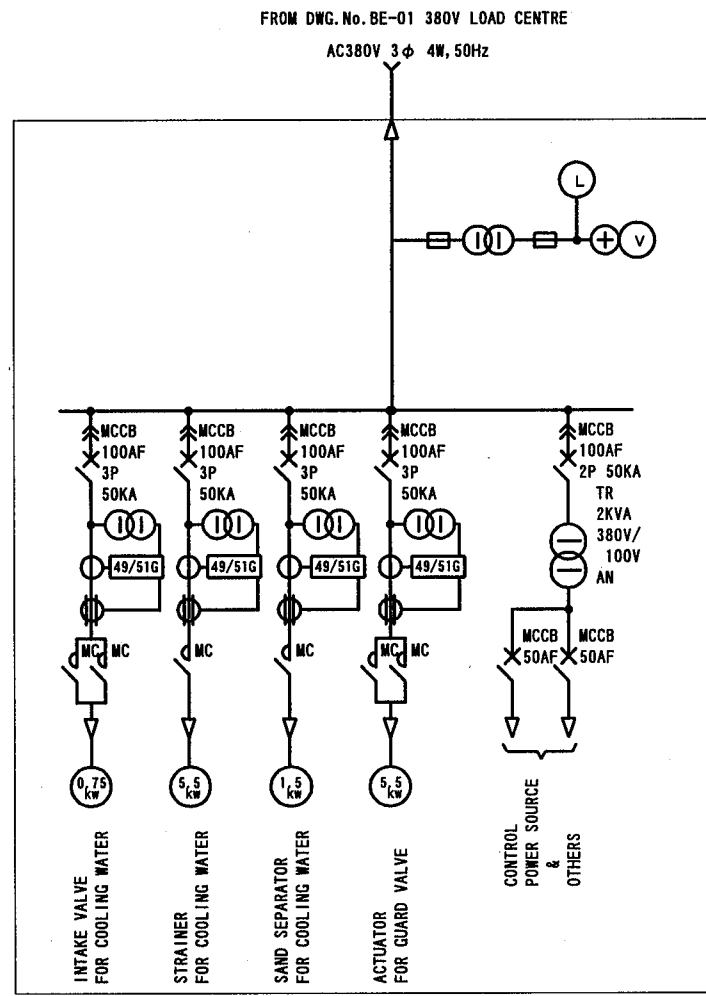
THE ARAB REPUBLIC OF EGYPT
 MINISTRY OF WATER RESOURCES AND IRRIGATION
 NORTH SINAI DEVELOPMENT ORGANIZATION
 THE NORTH SINAI INTEGRATED RURAL
 DEVELOPMENT PROJECT (PHASE III)

CONVEYANCE CANAL SYSTEM
 BETWEEN THE END OF B1R EL ABD ZONE
 UNTIL THE BEGINNING OF EL SIR AND EL KAWAREER ZONE

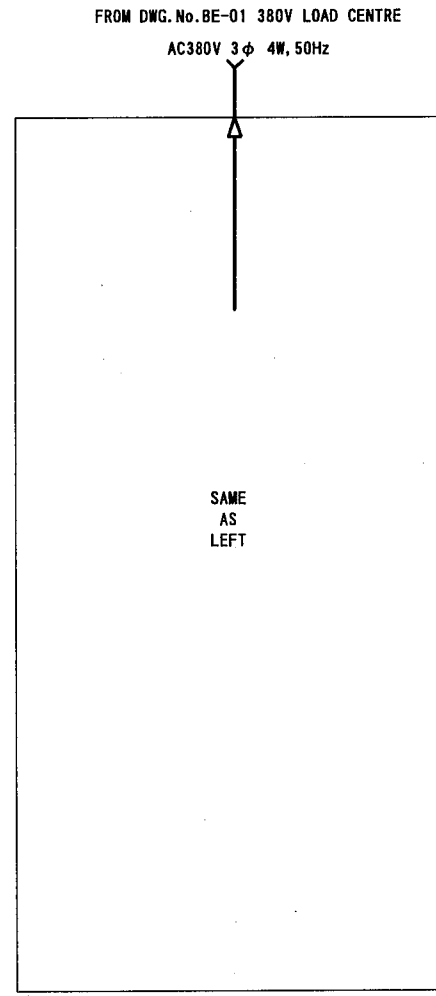
PUMP UNIT POWER SUPPLY ONE-LINE DIAGRAM
 AND 380V LOAD CENTRE (STAGE 1)

JAPAN INTERNATIONAL COOPERATION AGENCY (JICA)
 SANYU CONSULTANTS INC, PACIFIC CONSULTANTS INTERNATIONAL

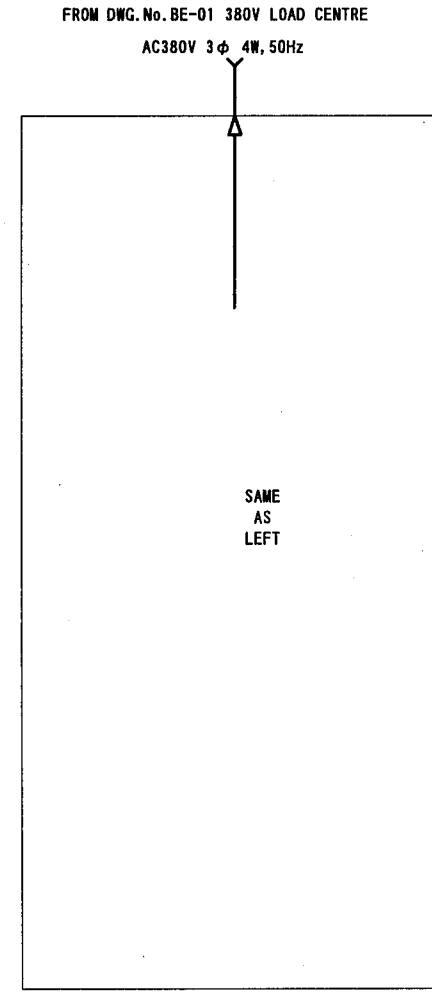
DESIGNED	
TRACED	
CHECKED	
APPROVED	
DRAWING NO.	BE-01



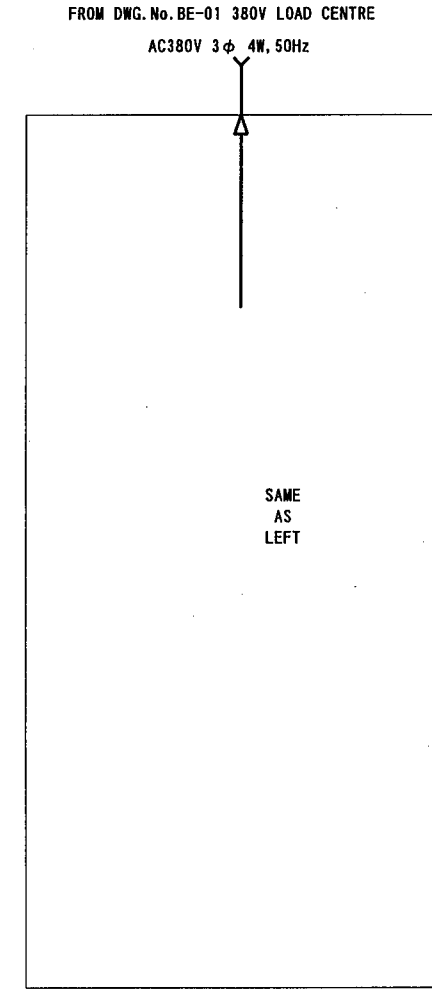
FOR MAIN PUMP-1



FOR MAIN PUMP-2



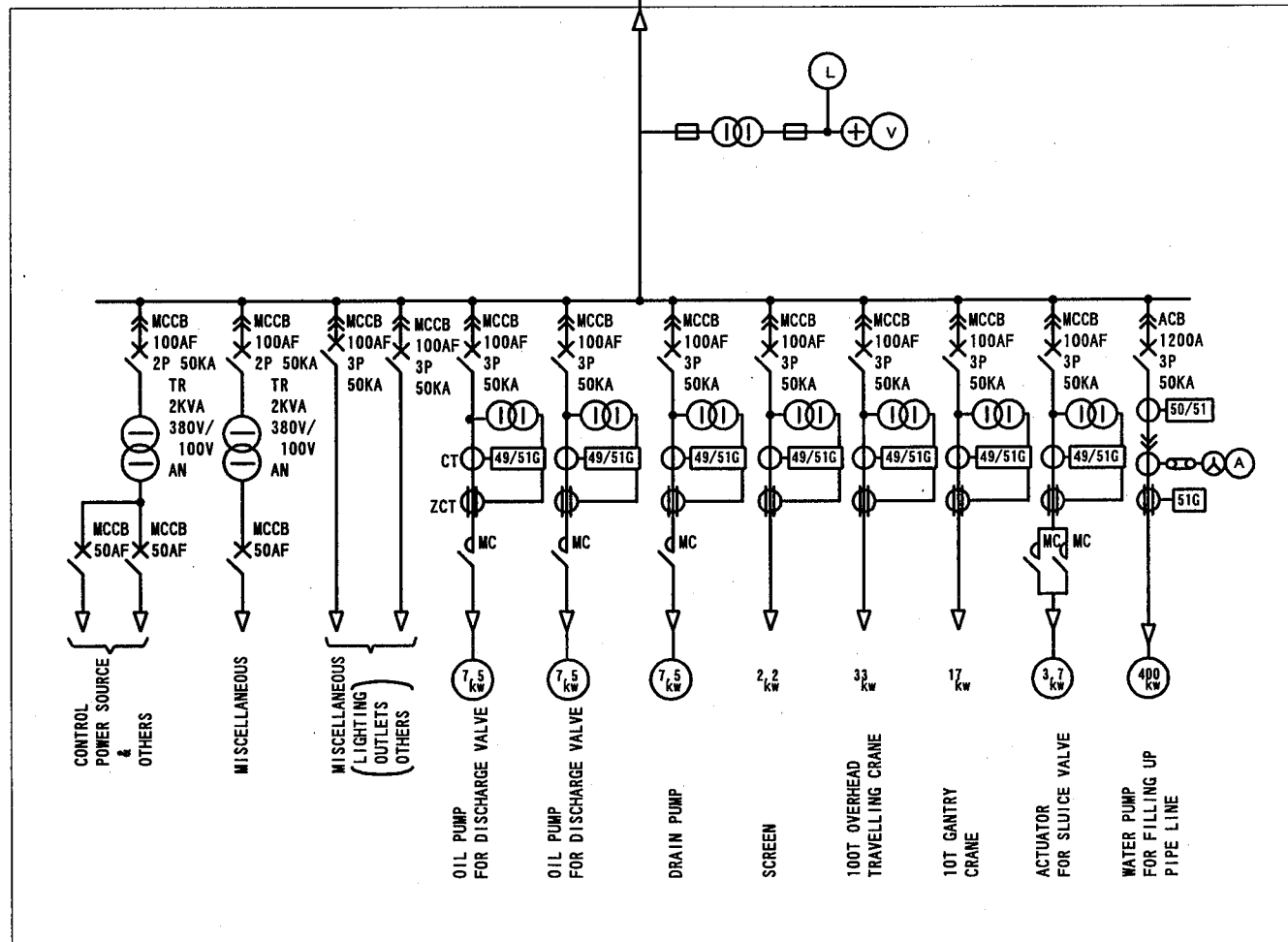
FOR MAIN PUMP-3



FOR MAIN PUMP-4

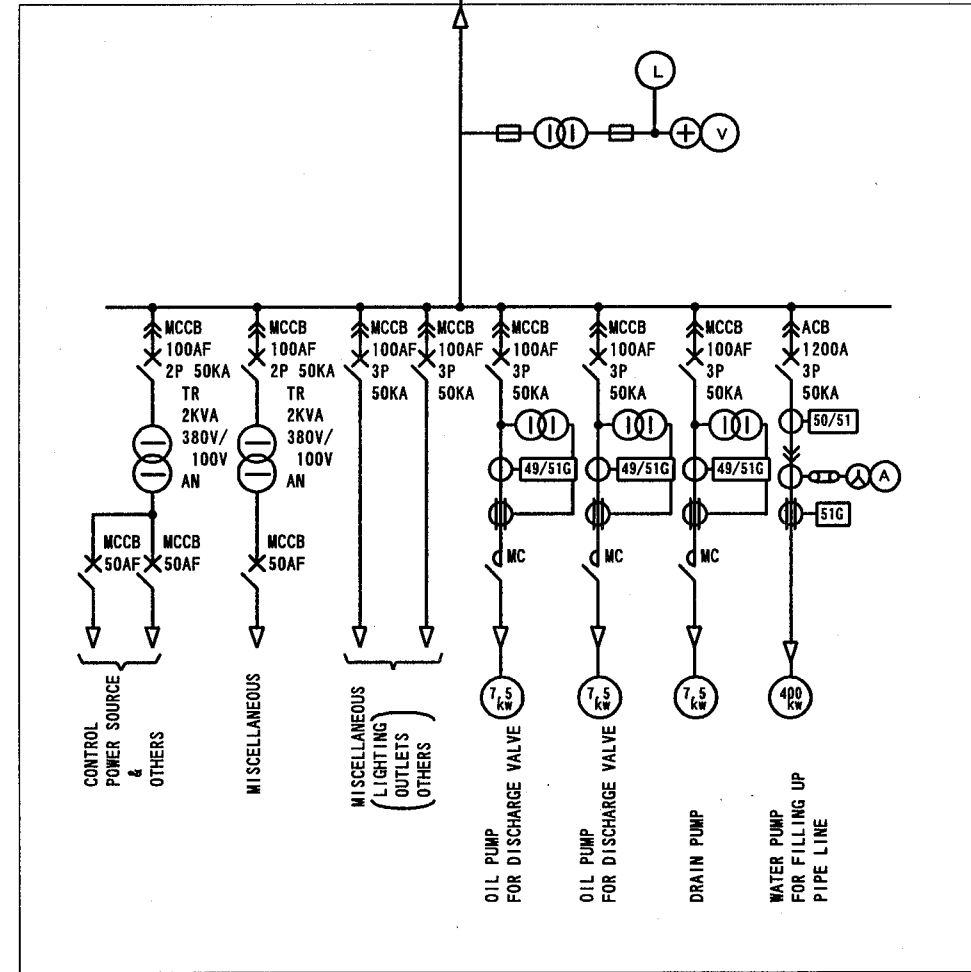
THE ARAB REPUBLIC OF EGYPT MINISTRY OF WATER RESOURCES AND IRRIGATION NORTH SINAI DEVELOPMENT ORGANIZATION THE NORTH SINAI INTEGRATED RURAL DEVELOPMENT PROJECT (PHASE III)	
CONVEYANCE CANAL SYSTEM BETWEEN THE END OF BIR EL ABD ZONE UNTIL THE BEGINNING OF EL SIR AND EL KAMAREER ZONE MAIN PUMP AUX. MOTOR CONTROL CENTRE (MCC) (STAGE 1)	
JAPAN INTERNATIONAL COOPERATION AGENCY (JICA) SANYU CONSULTANTS INC, PACIFIC CONSULTANTS INTERNATIONAL	
DESIGNED	
TRACED	
CHECKED	
APPROVED	
DRAWING NO.	BE-02

FROM DWG. No. BE-01 380V LOAD CENTRE
AC380V 3 ϕ 4W, 50Hz



FOR COMMON A

FROM DWG. No. BE-01 380V LOAD CENTRE
AC380V 3 ϕ 4W, 50Hz



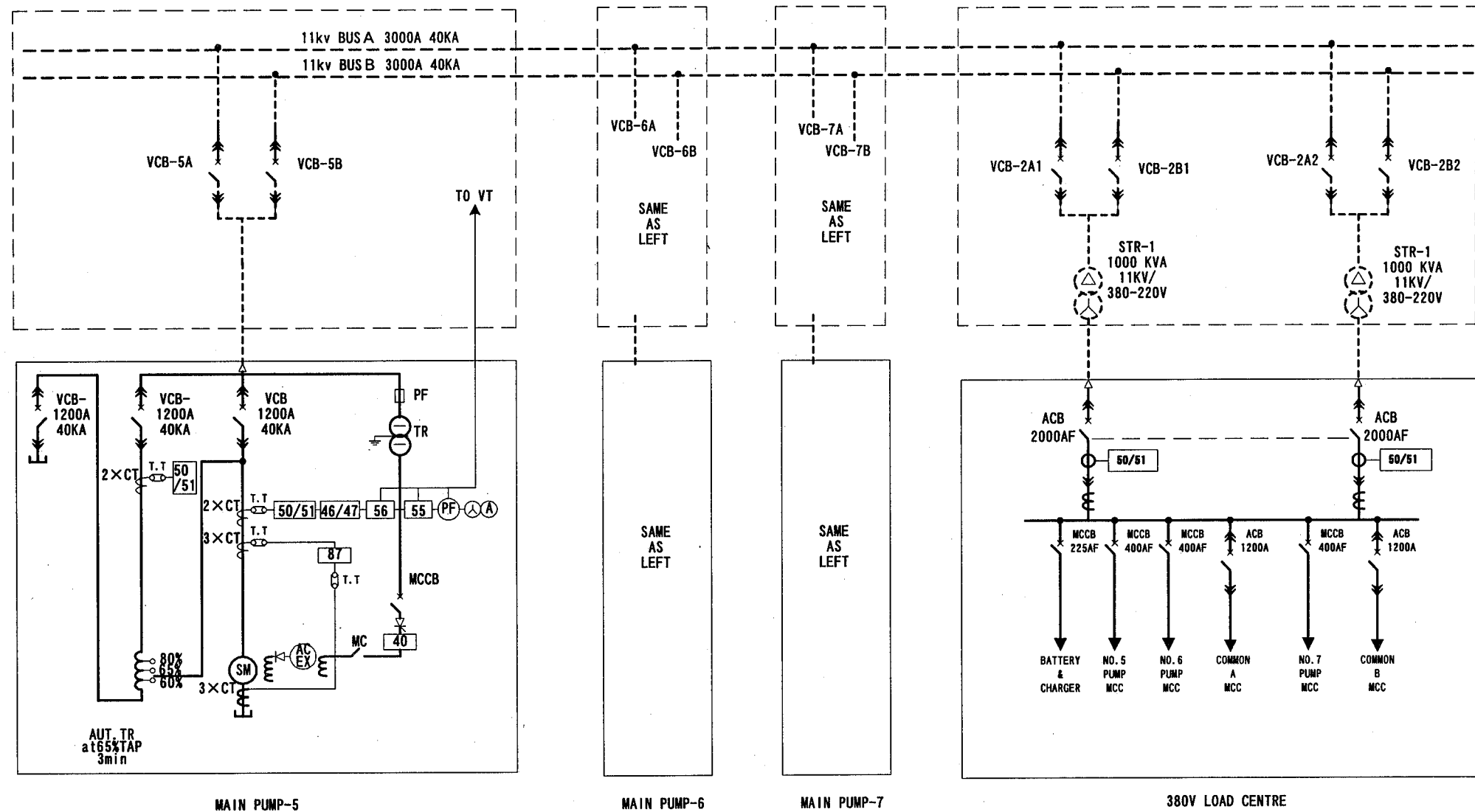
FOR COMMON B

THE ARAB REPUBLIC OF EGYPT
MINISTRY OF WATER RESOURCES AND IRRIGATION
NORTH SINAI DEVELOPMENT ORGANIZATION
THE NORTH SINAI INTEGRATED RURAL
DEVELOPMENT PROJECT (PHASE III)

CONVEYANCE CANAL SYSTEM
BETWEEN THE END OF BIR EL ABD ZONE
UNTIL THE BEGINNING OF EL SIR AND EL KAMAREER ZONE
MAIN PUMP COMMON AUX. MOTOR CONTROL CENTRE
(STAGE I)

JAPAN INTERNATIONAL COOPERATION AGENCY (JICA)
SANYU CONSULTANTS INC, PACIFIC CONSULTANTS INTERNATIONAL

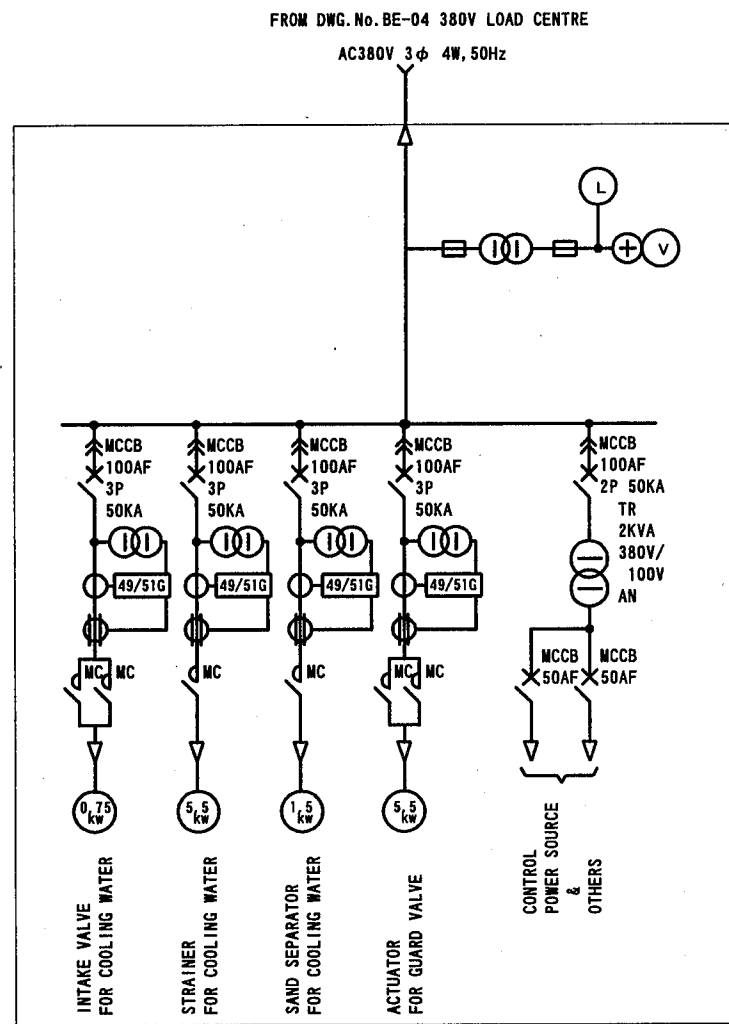
DESIGNED	
TRACED	
CHECKED	
APPROVED	
DRAWING NO.	BE-03



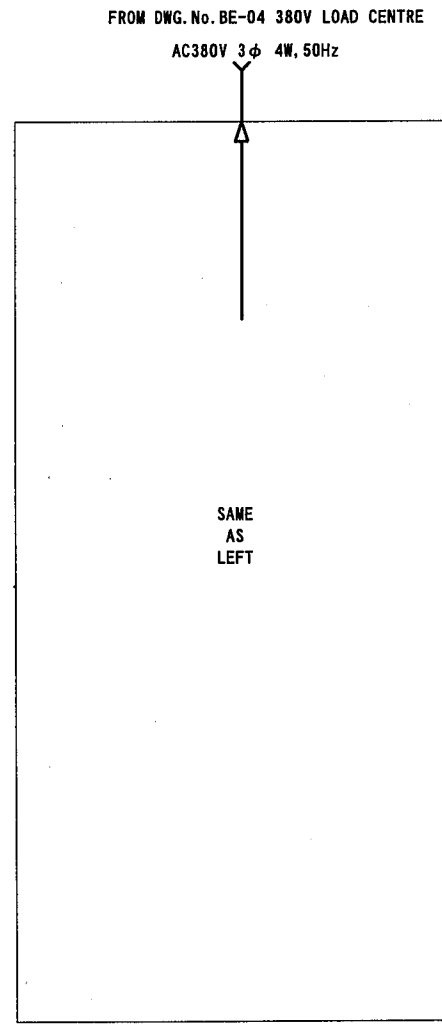
LEGENDS:

- (SM) : SYNCHRONOUS MOTOR
- VCB : VACUUM CIRCUIT BREAKER
- VT : VOLTAGE TRANSFORMER
- CT : CURRENT TRANSFORMER
- PF : POWER FUSE
- (PF) : POWER FACTOR METER
- (AC EX) : AC EXCITER
- MCCB : MOLDED CASE CIRCUIT BREAKER
- T.T : TEST TERMINAL
- [50/51] : OVER CURRENT RELAY WITH INSTANTANEOUS TRIP TYPE
- [46/47] : ONE PHASE / REVERSE PHASE
- [51G] : GROUND FAULT RELAY
- [55] : POWER FACTOR RELAY
- [56] : OUT OF STEP DETECTING RELAY
- [40] : DC UNDER CURRENT RELAY
- [87] : DIFFERENTIAL RELAY
- ACB : AIR CIRCUIT BREAKER

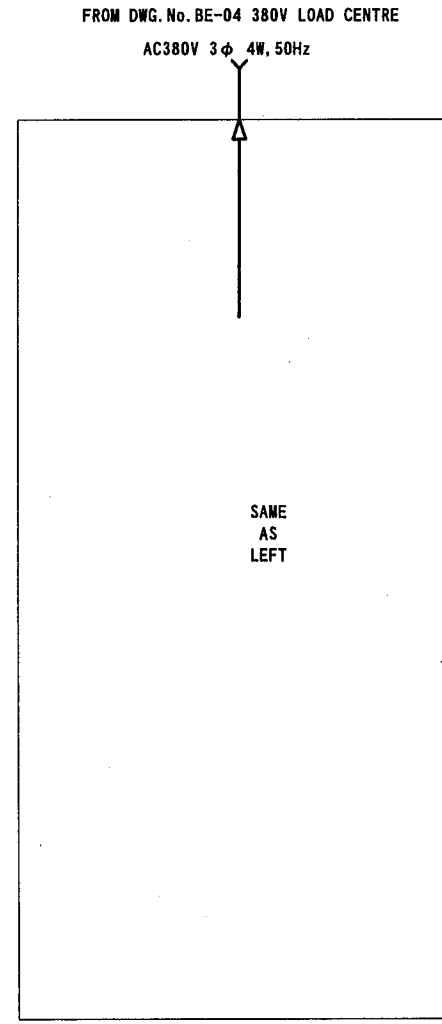
THE ARAB REPUBLIC OF EGYPT MINISTRY OF WATER RESOURCES AND IRRIGATION NORTH SINAI DEVELOPMENT ORGANIZATION THE NORTH SINAI INTEGRATED RURAL DEVELOPMENT PROJECT (PHASE III)	
CONVEYANCE CANAL SYSTEM BETWEEN THE END OF BIR EL ABD ZONE UNTIL THE BEGINNING OF EL SIR AND EL KAMAREER ZONE PUMP UNIT POWER SUPPLY ONE-LINE DIAGRAM AND 380V LOAD CENTRE (STAGE II)	
JAPAN INTERNATIONAL COOPERATION AGENCY (JICA) SANYU CONSULTANTS INC, PACIFIC CONSULTANTS INTERNATIONAL	
DESIGNED	
TRACED	
CHECKED	
APPROVED	
DRAWING NO.	BE-04



FOR MAIN PUMP-5



FOR MAIN PUMP-6

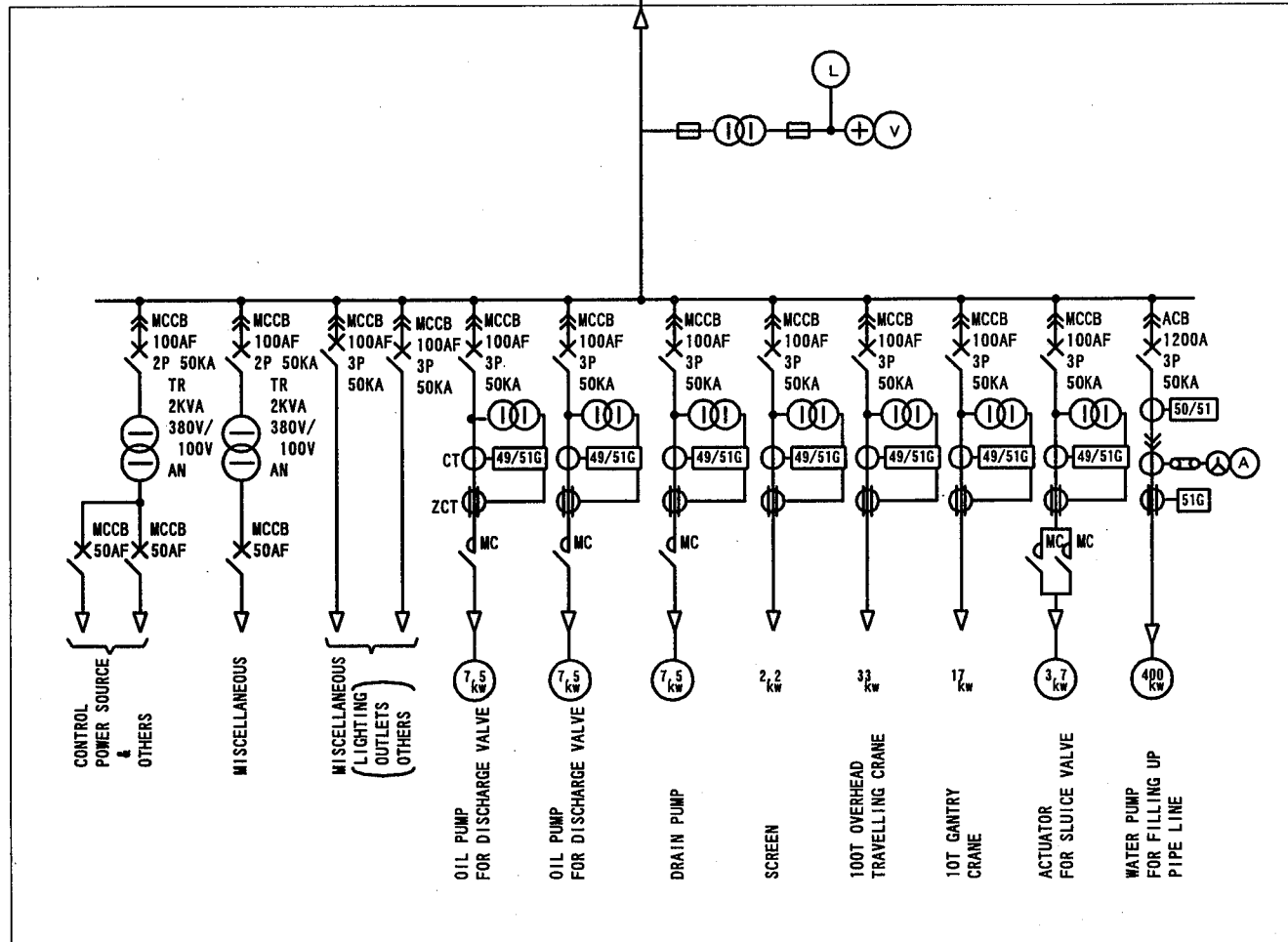


FOR MAIN PUMP-7

THE ARAB REPUBLIC OF EGYPT MINISTRY OF WATER RESOURCES AND IRRIGATION NORTH SINAI DEVELOPMENT ORGANIZATION THE NORTH SINAI INTEGRATED RURAL DEVELOPMENT PROJECT (PHASE III)	
CONVEYANCE CANAL SYSTEM BETWEEN THE END OF BIR EL ABD ZONE UNTIL THE BEGINNING OF EL SIR AND EL KAMAREER ZONE MAIN PUMP AUX. MOTOR CONTROL CENTRE (MCC) (STAGE II)	
JAPAN INTERNATIONAL COOPERATION AGENCY (JICA) SANYU CONSULTANTS INC, PACIFIC CONSULTANTS INTERNATIONAL	
DESIGNED	
TRACED	
CHECKED	
APPROVED	
DRAWING NO.	BE-05

FROM DWG.No. BE-04 380V LOAD CENTRE

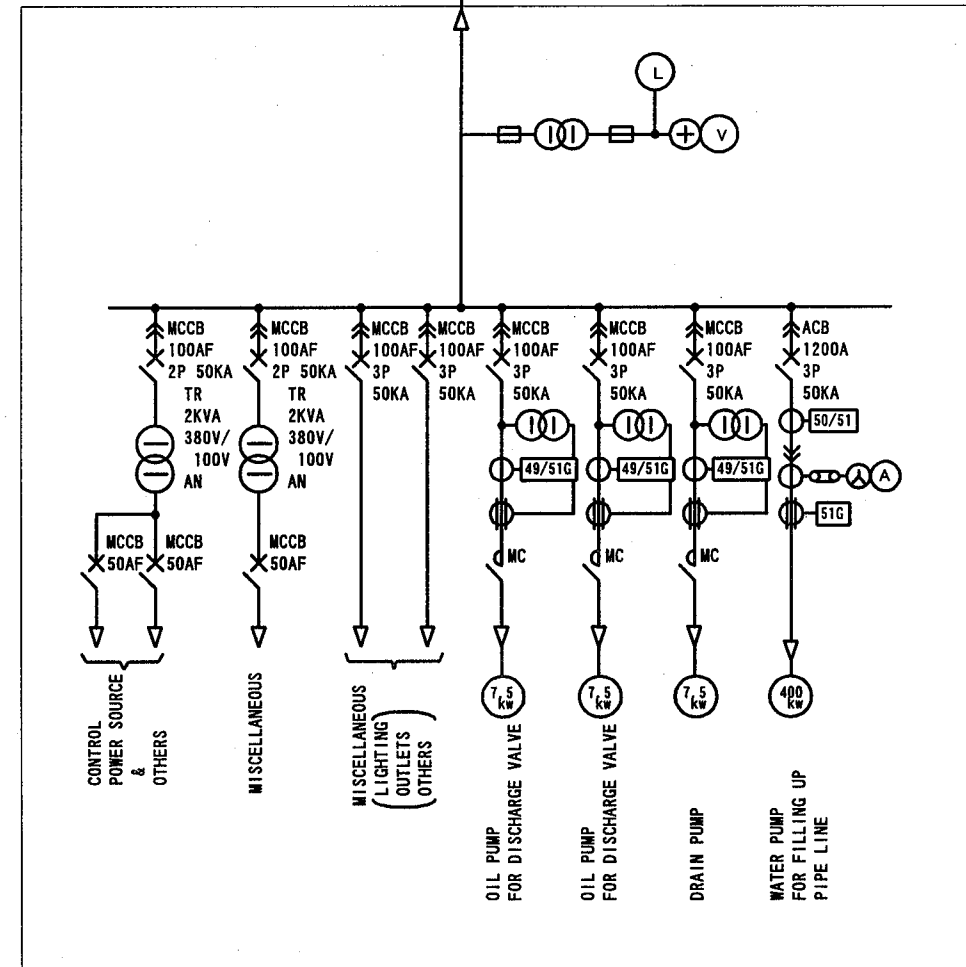
AC380V 3φ 4W, 50Hz



FOR COMMON A

FROM DWG.No. BE-04 380V LOAD CENTRE

AC380V 3φ 4W, 50Hz



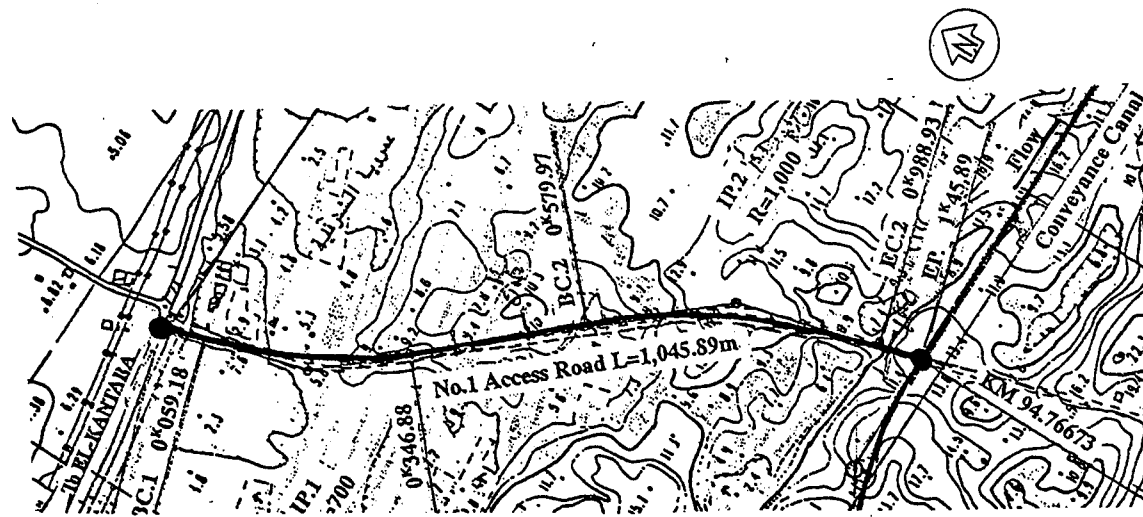
FOR COMMON B

THE ARAB REPUBLIC OF EGYPT
MINISTRY OF WATER RESOURCES AND IRRIGATION
NORTH SINAI DEVELOPMENT ORGANIZATION
THE NORTH SINAI INTEGRATED RURAL
DEVELOPMENT PROJECT (PHASE III)

CONVEYANCE CANAL SYSTEM
BETWEEN THE END OF BIR EL ABD ZONE
UNTIL THE BEGINNING OF EL SIR AND EL KAMAREER ZONE
MAIN PUMP COMMON AUX. MOTOR CONTROL CENTRE
(STAGE II)

JAPAN INTERNATIONAL COOPERATION AGENCY (JICA)
SANYU CONSULTANTS INC, PACIFIC CONSULTANTS INTERNATIONAL

DESIGNED	
TRACED	
CHECKED	
APPROVED	
DRAWING NO.	BE-06

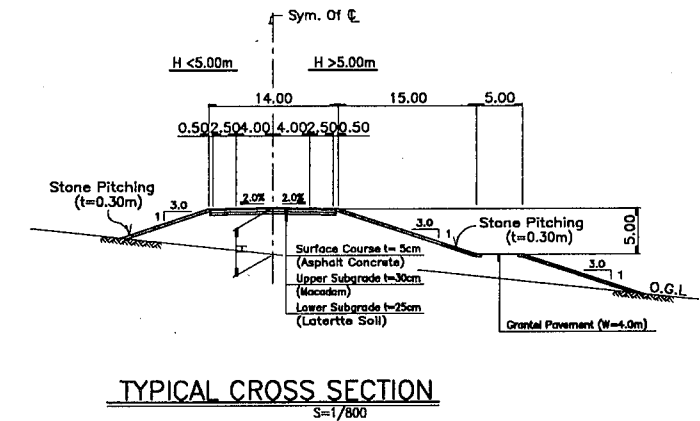


PLAN

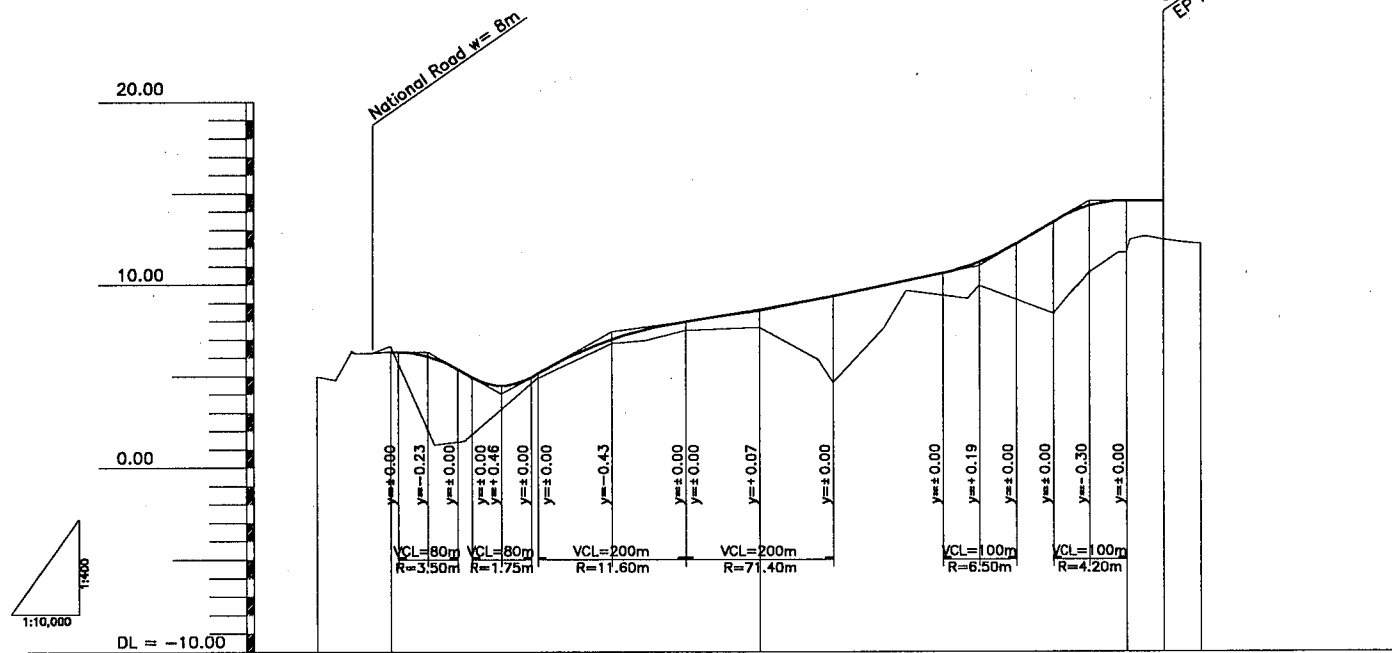
NOTES:

1. This drawing shows "DISTANCE BP to EP".
2. The benchmark referred to Base BM 1 of EL. 7.537 m.
3. Access Road EP intersects in Km94.77 with the conveyance canal.
4. The distances of principal peg (BC, SP & EC) are shown in the following Table.

Principal peg	Distance (M)
BP	0.00
BC-1	59.18
SP-1	203.03
EC-1	346.88
BC-2	579.97
SP-2	784.45
EC-2	988.93
EP	1,045.89



TYPICAL CROSS SECTION
S=1/800



DISTANCE (KM)	-0.100	BP	0.050	BC-1	0.100	0.150	0.200	SP-1	0.300	EC-1	0.400	0.500	BC-2	0.600	0.700	SP-2	0.800	0.900	0.950	EC-2	1.000	EP	1.100
ORIGINAL GROUND SURFACE	4.95	6.61	1.58	1.45	4.90	4.94	6.74	6.93	7.46	7.62	5.86	4.62	9.62	8.20	8.50	8.37	11.71	11.75	12.46	12.19			
TOP OF ACCESS ROAD		6.30	6.07	5.15	5.12	5.97	7.95	8.57	9.34	10.16	11.19	13.37	14.26	14.56	14.56	14.56	14.56	14.56	14.56	14.56	14.56	14.56	14.56
LONGITUDINAL SLOPE		0.00%	-2.30%	0.00%	2.27%	0.55%	0.83%	2.37%	0.00%														
CURVE ARRANGEMENT		IP-1, IA=23 32' 53", R=700 m, TL=145.91m, CL=287.70m, SL=15.04m										IP-2, IA=23 25' 53", R=1000 m, TL=207.38m, CL=408.98m, SL=21.28m											
SUPER ELEVATION																							

THE ARAB REPUBLIC OF EGYPT
MINISTRY OF WATER RESOURCES AND IRRIGATION
NORTH SINAI DEVELOPMENT ORGANIZATION

THE NORTH SINAI INTEGRATED RURAL DEVELOPMENT PROJECT (PHASE III)

CONVEYANCE CANAL SYSTEM
BETWEEN THE END OF EL SIR EL ABD ZONE
UNTIL THE BEGINNING OF EL SIR AND EL KAWAREER ZONE
PLAN AND PROFILE OF No.1 ACCESS ROAD

JAPAN INTERNATIONAL COOPERATION AGENCY (JICA)
SANTYU CONSULTANTS INC, PACIFIC CONSULTANTS INTERNATIONAL

DESIGNED	
TRACED	
CHECKED	
APPROVED	
DRAWING NO.	CR - 01

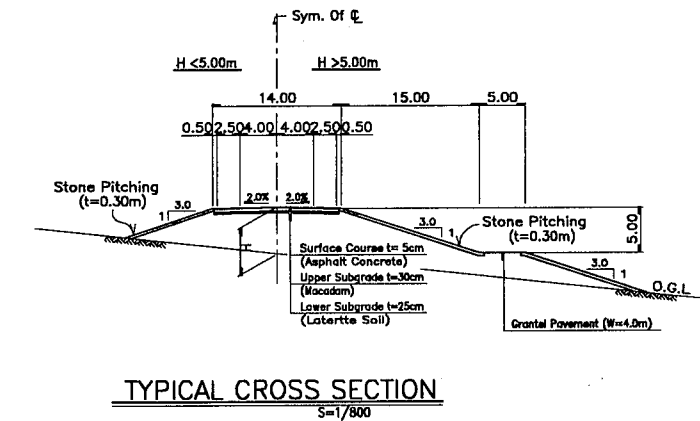
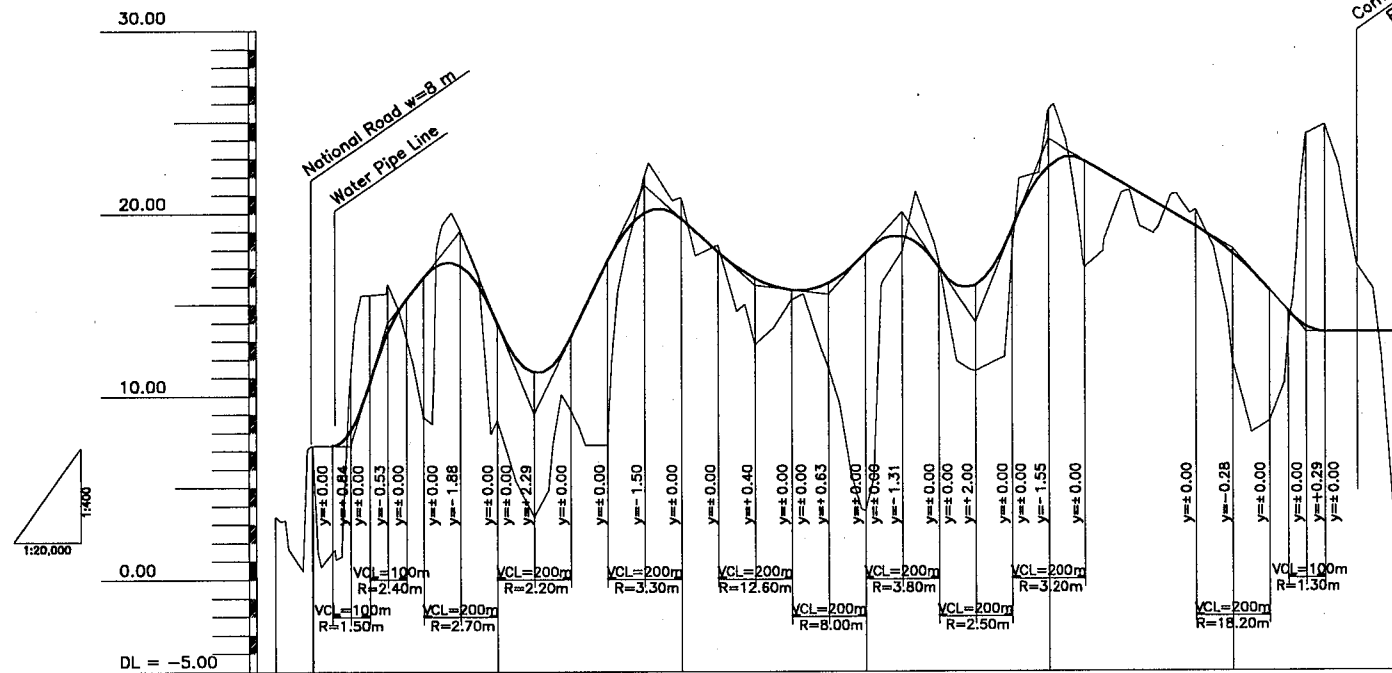


PLAN

NOTES:

1. This drawing shows "DISTANCE BP to 2.500KM".
2. The benchmark referred to Base BM 1 of EL. 7.537 m.
3. Access Road EP intersects in Km102,304.22 with the conveyance canal.
4. The distances of principal peg(BC, SP, & EC.) are shown in the following Table.

Principal peg	Distance (M)
BP	0.00
BC-1	63.51
SP-1	131.80
EC-1	200.09
BC-2	204.87
SP-2	377.36
EC-2	549.85
BC-3	724.90
SP-3	912.83
EC-3	1,100.26
BC-4	1,172.67
SP-4	1,330.91
EC-4	1,489.15
BC-5	1,491.05
SP-5	1,637.72
EC-5	1,784.39
BC-6	2,014.75
SP-6	2,150.73
EC-6	2,286.71
BC-7	2,288.93
SP-7	2,337.13
EC-7	2,385.33
EP	2,838.45



TYPICAL CROSS SECTION
S=1/800

DISTANCE (KM)	ORIGINAL GROUND SURFACE	TOP OF ACCESS ROAD	LONGITUDINAL SLOPE	CURVE ARRANGEMENT	SUPER ELEVATION
-0.100	3.41				
BP	7.27	7.27			
BC-1	1.08	8.11			
SP-1	10.12	13.47			
EC-1	15.49	16.50			
BC-2	15.72	17.12			
0.300	8.85	14.00			
SP-2	29.03	11.29			
EC-2	8.65	13.17			
0.600	3.38	17.33			
0.700	9.22	20.00			
0.800	7.31	19.67			
0.900	21.99	17.84			
SP-3	22.72	16.40			
EC-3	20.82	15.75			
1.000	18.24	16.13			
BC-4	14.97	17.75			
1.200	12.76	18.69			
1.300	15.22	19.00			
SP-4	11.55	16.00			
1.400	11.53	19.00			
EC-4	3.78	22.45			
BC-5	3.70	22.80			
1.500	17.85	21.60			
SP-5	21.15	20.40			
1.700	17.35	19.20			
EC-5	11.42	17.72			
1.800	11.31	15.70			
1.900	17.60	13.70			
2.000	25.61	13.41			
BC-6	16.98	17.05			
2.100	17.84	17.05			
SP-6	21.07	3.24			
EC-6	28.84				
BC-7	18.89				
2.200	29.07				
SP-7	20.39				
EC-7	26.72				
2.300	26.72				
2.400	11.78				
2.500	8.53				
2.600	24.24				
2.700	21.15				
2.800	17.05				
EP					
2.838					

THE ARAB REPUBLIC OF EGYPT
 MINISTRY OF WATER RESOURCES AND IRRIGATION
 NORTH SINAI DEVELOPMENT ORGANIZATION

THE NORTH SINAI INTEGRATED RURAL DEVELOPMENT PROJECT (PHASE III)

CONVEYANCE CANAL SYSTEM
 BETWEEN THE END OF EL EL ABD ZONE
 UNTIL THE BEGINNING OF EL SIR AND EL KAWARBER ZONE

PLAN AND PROFILE OF No.2 ACCESS ROAD

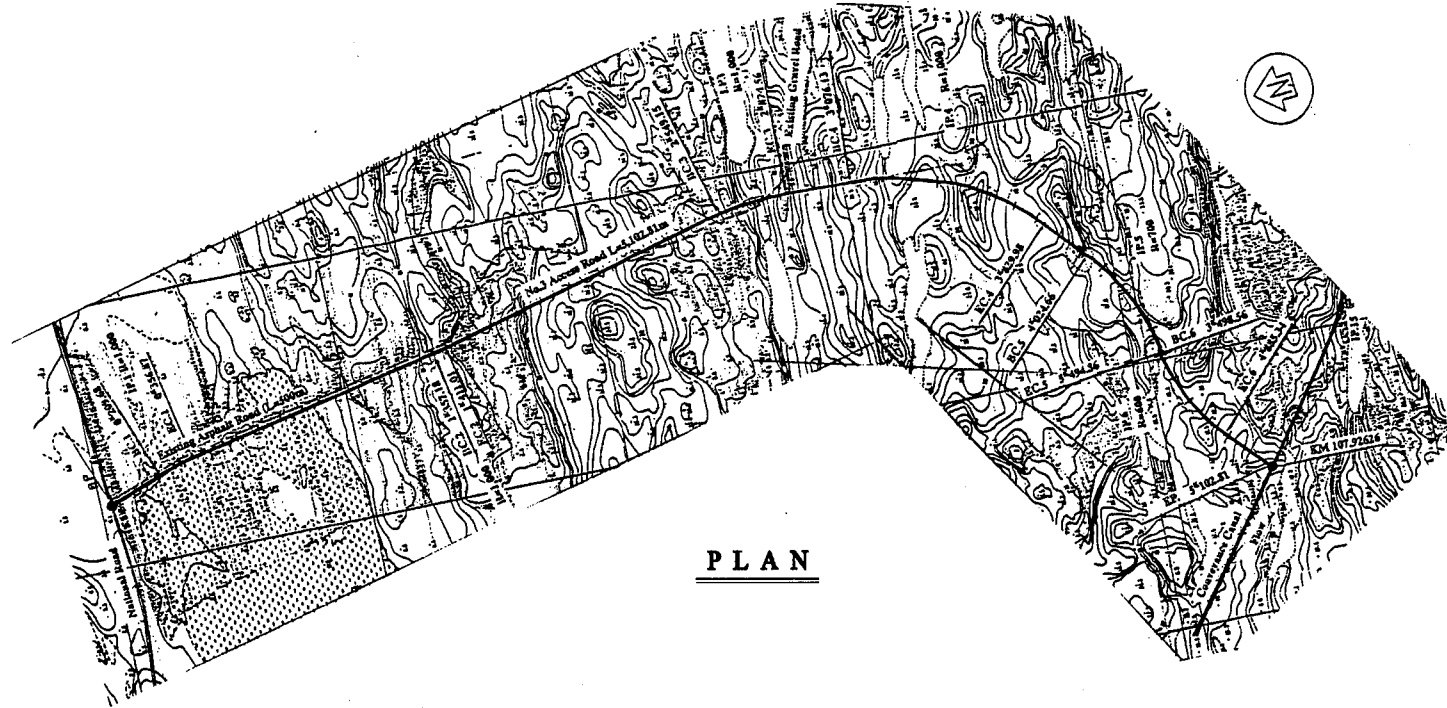
JAPAN INTERNATIONAL COOPERATION AGENCY (JICA)
 SANYU CONSULTANTS INC, PACIFIC CONSULTANTS INTERNATIONAL

DESIGNED	
TRACED	
CHECKED	
APPROVED	
DRAWING NO.	CR - 02

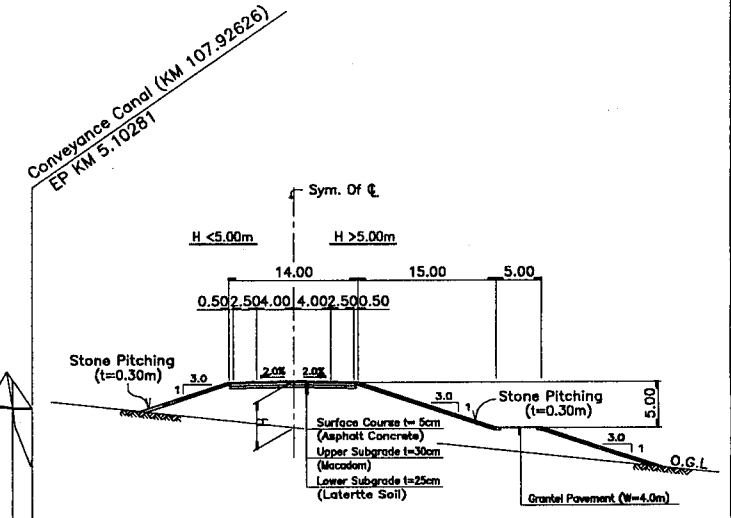
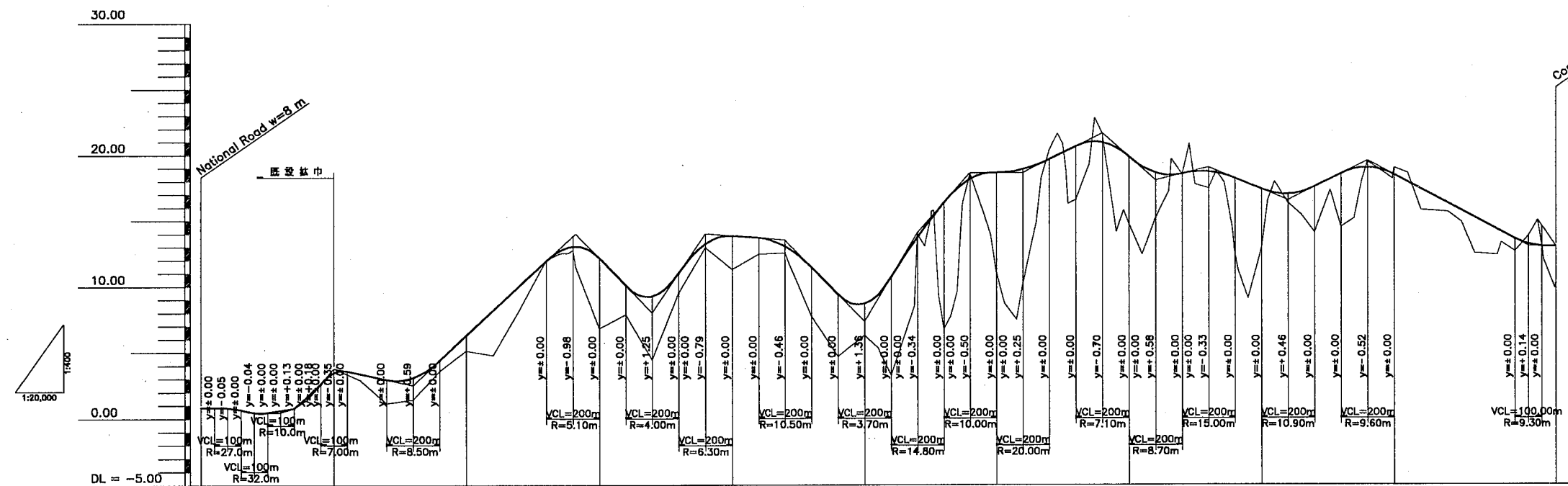
NOTES:

1. This drawing shows "DISTANCE BP to 2.500KM".
2. The benchmark referred to Base BM 1 of BL. 7.537 m.
3. Access Road EP intersects in Km107,926.26 with the conveyance canal.
4. The distances of principal peg(BC, SP. & EC.) are shown in the following Table.

Principal peg	Distance (M)
BP	0.00
BC-1	209.68
SP-1	283.27
EC-1	356.86
BC-2	1,357.18
SP-2	1,384.09
EC-2	1,411.00
BC-3	2,549.15
SP-3	2,686.86
EC-3	2,824.57
BC-4	3,076.13
SP-4	3,453.05
EC-4	3,629.97
BC-5	4,024.66
SP-5	4,259.76
EC-5	4,494.86
BC-6	4,498.56
SP-6	4,691.95
EC-6	4,885.34
EP	5,102.81



PLAN



TYPICAL CROSS SECTION
S=1/800

DISTANCE (KM)	ORIGINAL GROUND SURFACE	TOP OF ACCESS ROAD	LONGITUDINAL SLOPE	CURVE ARRANGEMENT	SUPER ELEVATION
BP	0.84	0.84			
0.100	0.86	0.81			
0.200	0.51	0.47			
0.300	0.49	0.60			
0.400	0.47	1.61			
0.500	0.81	3.46			
0.600	1.43	3.37			
0.700	2.91	2.94			
0.800	1.15	3.09			
0.900	1.43	4.42			
1.000	3.59	6.33			
1.100	5.12	8.25			
1.200	4.79	10.17			
1.300	8.22	12.08			
1.300	11.88	13.02			
1.350	12.52	12.00			
1.400	12.55	10.00			
1.500	11.49	9.25			
1.500	6.80	11.00			
1.600	7.87	13.21			
1.700	4.44	13.83			
1.800	9.48	13.67			
1.900	12.93	13.04			
2.000	11.29	11.43			
2.100	12.43	9.36			
2.200	12.53	8.66			
2.300	7.74	10.65			
2.400	4.88	13.16			
2.500	6.27	16.00			
2.600	5.36	18.10			
2.600	3.26	18.80			
2.700	2.80	20.31			
2.700	13.35	20.60			
2.800	6.73	20.80			
2.800	7.68	20.90			
2.900	18.10	21.53			
3.000	11.00	21.80			
3.100	7.48	21.85			
3.200	10.15	19.80			
3.300	20.31	20.60			
3.400	16.51	20.80			
3.500	21.53	20.90			
3.600	14.11	19.80			
3.700	14.71	18.58			
3.800	15.17	18.50			
3.900	18.44	18.67			
4.000	17.47	18.17			
4.100	12.43	17.34			
4.200	12.84	16.96			
4.300	16.29	17.50			
4.400	14.04	18.50			
4.500	14.25	18.98			
4.600	19.45	18.42			
4.700	18.52	17.34			
4.800	15.76	16.26			
4.900	15.62	15.18			
5.000	12.45	14.10			
5.100	13.21	13.14			
5.200	13.74	12.96			
5.300	18.81				

THE ARAB REPUBLIC OF EGYPT
MINISTRY OF WATER RESOURCES AND IRRIGATION
NORTH SINAI DEVELOPMENT ORGANIZATION

THE NORTH SINAI INTEGRATED RURAL DEVELOPMENT PROJECT (PHASE III)

CONVEYANCE CANAL SYSTEM
BETWEEN THE END OF EL EL ABD ZONE
UNTIL THE BEGINNING OF EL SIR AND EL KAWAREER ZONE
PLAN AND PROFILE OF No.3 ACCESS ROAD

JAPAN INTERNATIONAL COOPERATION AGENCY (JICA)
SANTYU CONSULTANTS INC, PACIFIC CONSULTANTS INTERNATIONAL

DESIGNED	
TRACED	
CHECKED	
APPROVED	
DRAWING NO.	CR - 03