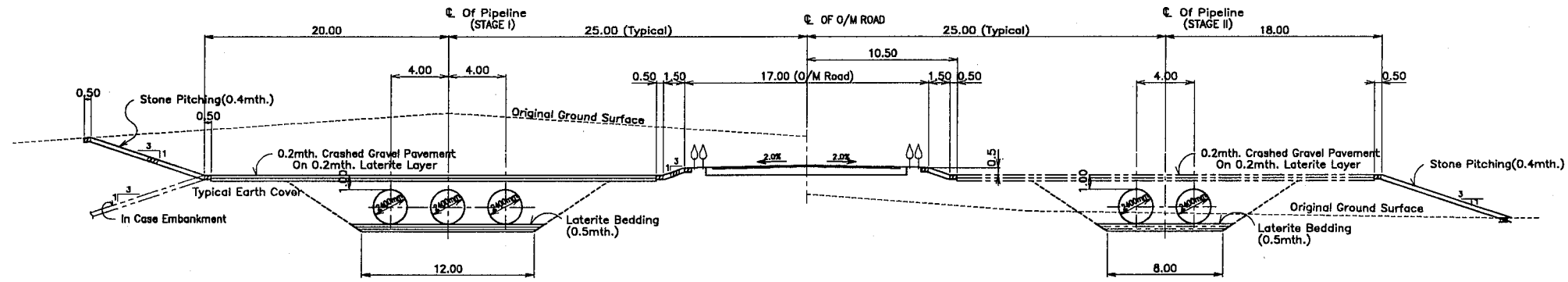
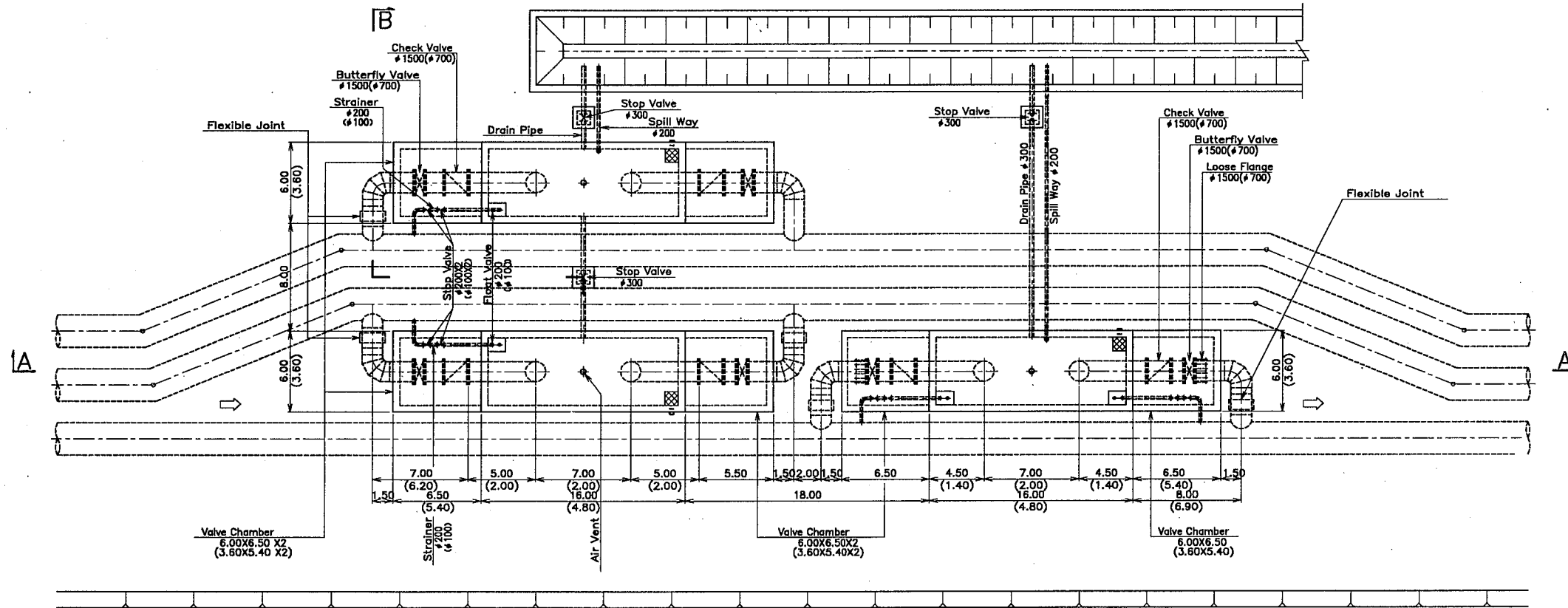


Note : () Shows for No2 Surge Tank



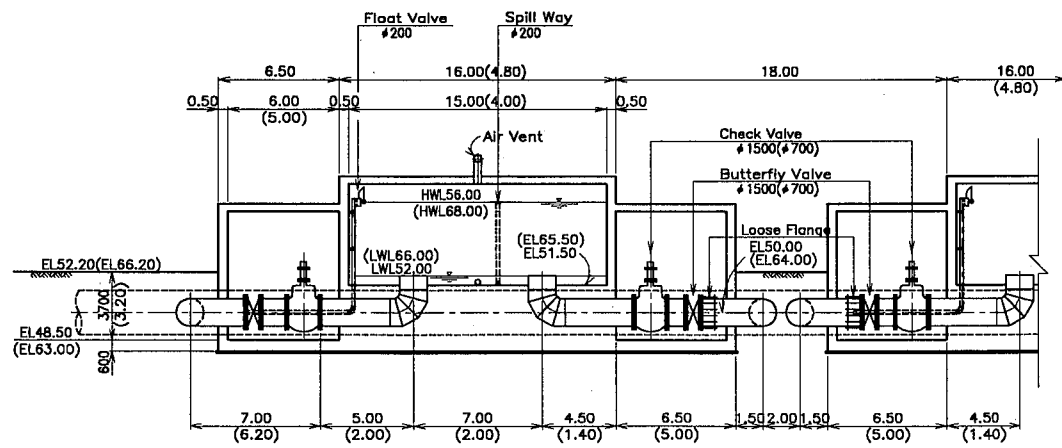
TYPICAL CROSS SECTION OF PIPELINE

S=1/400



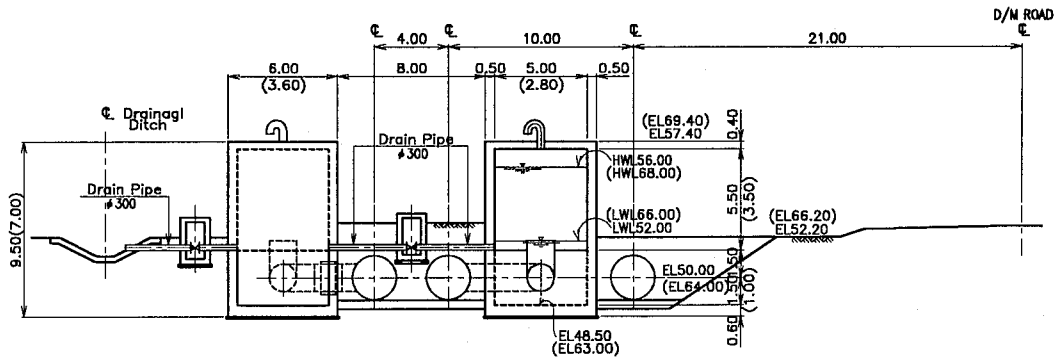
PLAN OF SURGE TANK

S=1/400



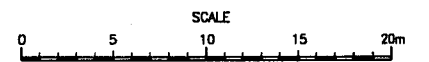
SECTION A-A

S=1/400

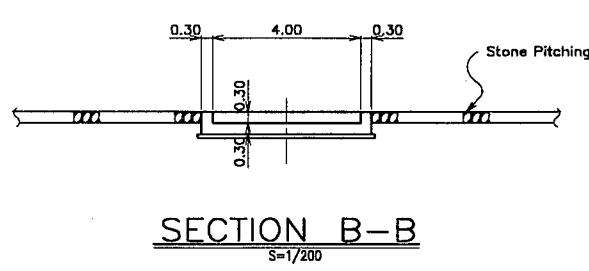
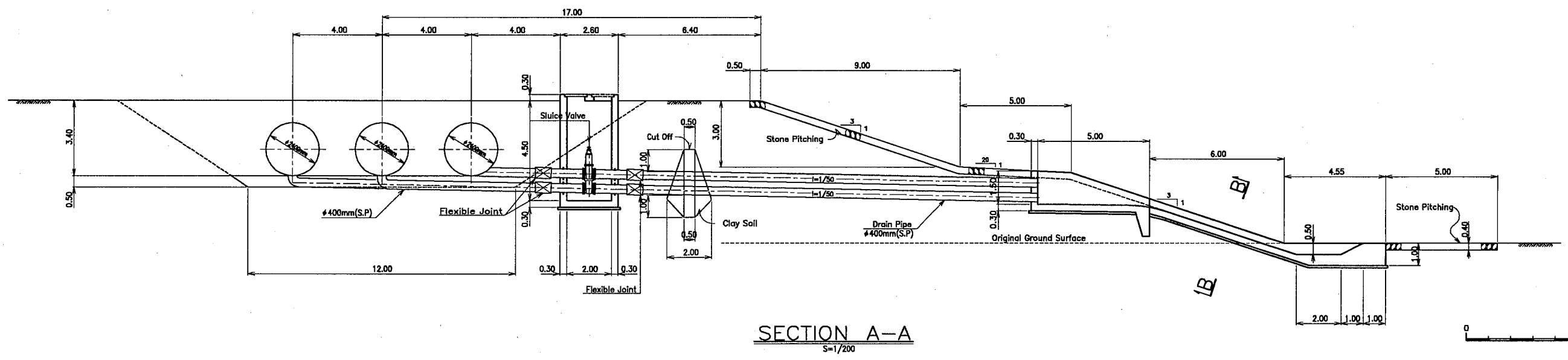
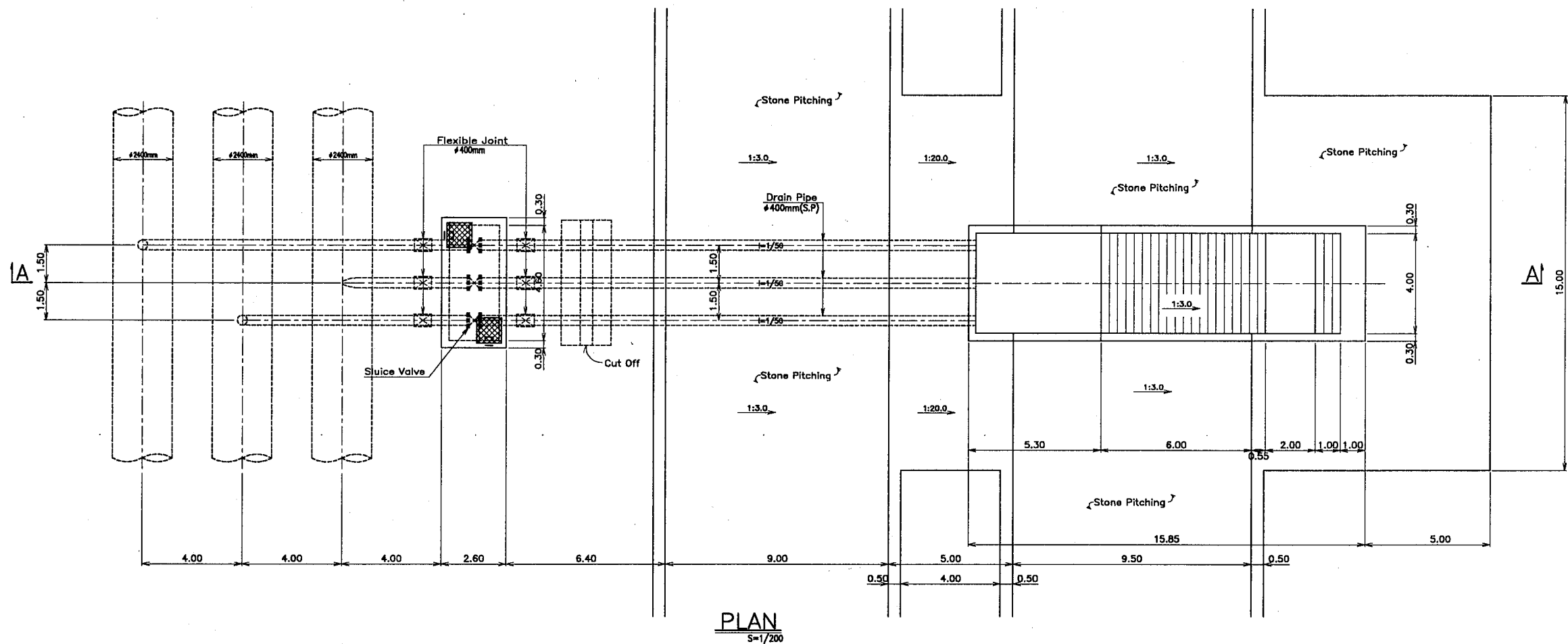


SECTION B-B

S=1/400



THE ARAB REPUBLIC OF EGYPT MINISTRY OF WATER RESOURCES AND IRRIGATION NORTH SINAI DEVELOPMENT ORGANIZATION THE NORTH SINAI INTEGRATED RURAL DEVELOPMENT PROJECT (PHASE III) CONVEYANCE CANAL SYSTEM BETWEEN THE END OF BUR EL ARD ZONE UNTIL THE BEGINNING OF EL SIR AND EL KAWARER ZONE PIPELINE TYPICAL CROSS SECTION OF PIPELINE AND SURGE TANK JAPAN INTERNATIONAL COOPERATION AGENCY (JICA) SANYU CONSULTANTS INC, PACIFIC CONSULTANTS INTERNATIONAL	
DESIGNED	
TRACED	
CHECKED	
APPROVED	
DRAWING NO.	AP - 02



THE ARAB REPUBLIC OF EGYPT
MINISTRY OF WATER RESOURCES AND IRRIGATION
NORTH SINAI DEVELOPMENT ORGANIZATION

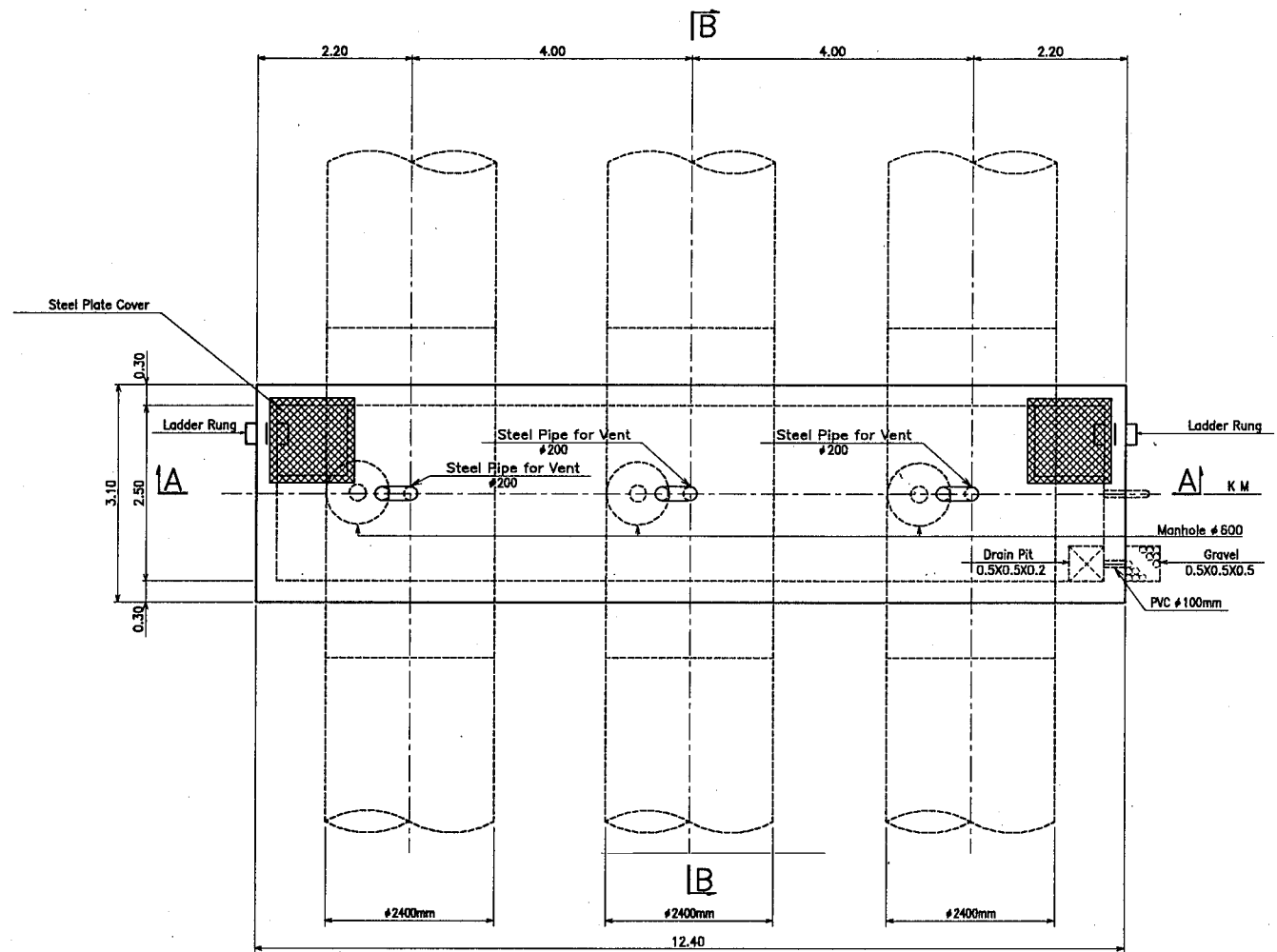
THE NORTH SINAI INTEGRATED RURAL DEVELOPMENT PROJECT (PHASE III)

CONVEYANCE CANAL SYSTEM
BETWEEN THE END OF EL EL AND ZONE
UNTIL THE BEGINNING OF EL GER AND EL KAWARBER ZONE

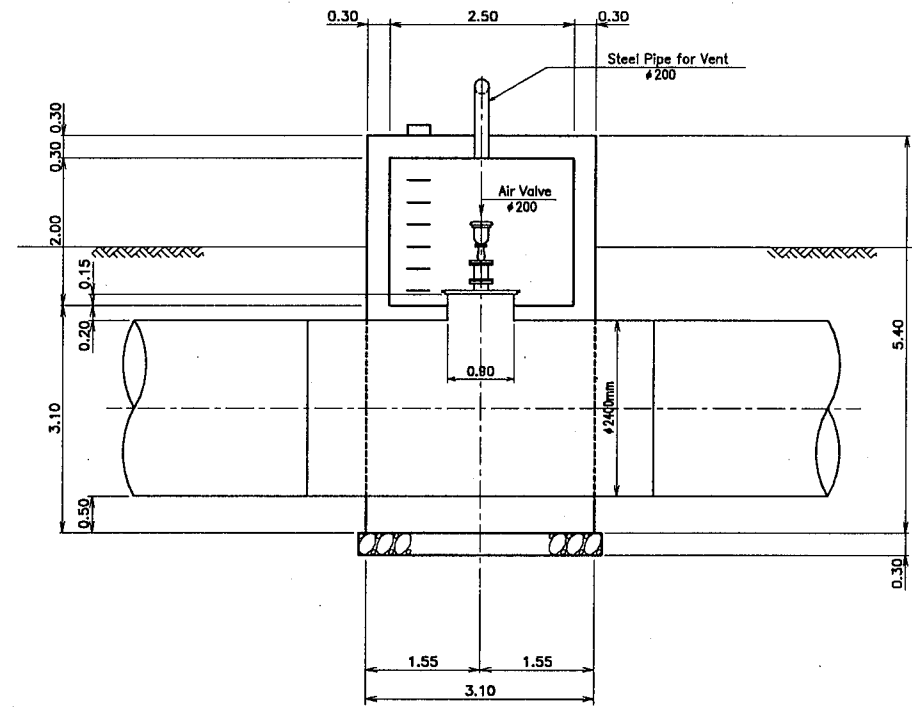
**PIPELINE
ELEVATION AND SECTION OF BLOW-OFF**

JAPAN INTERNATIONAL COOPERATION AGENCY (JICA)
SANYU CONSULTANTS INC, PACIFIC CONSULTANTS INTERNATIONAL

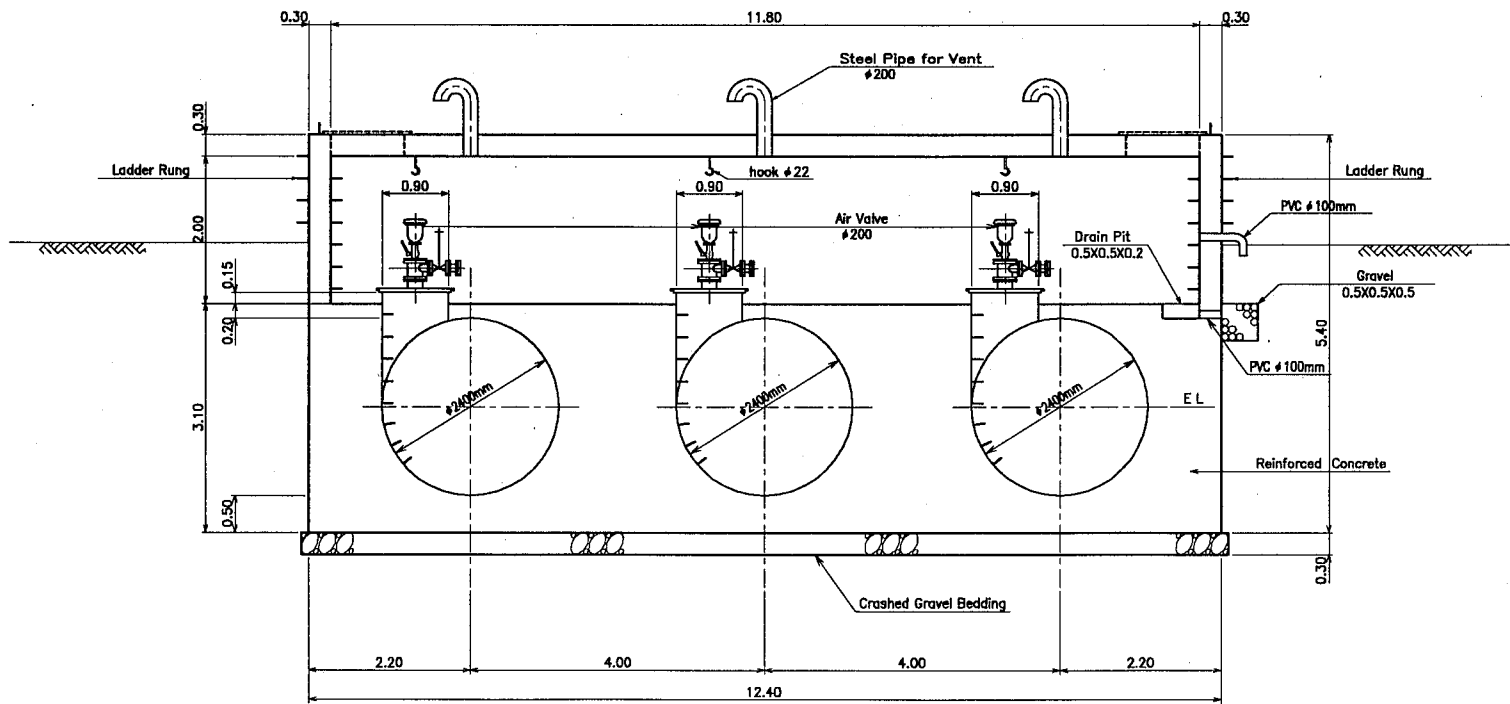
DESIGNED	
TRACED	
CHECKED	
APPROVED	
DRAWING NO.	AP - 03



PLAN
SCALE 1:100



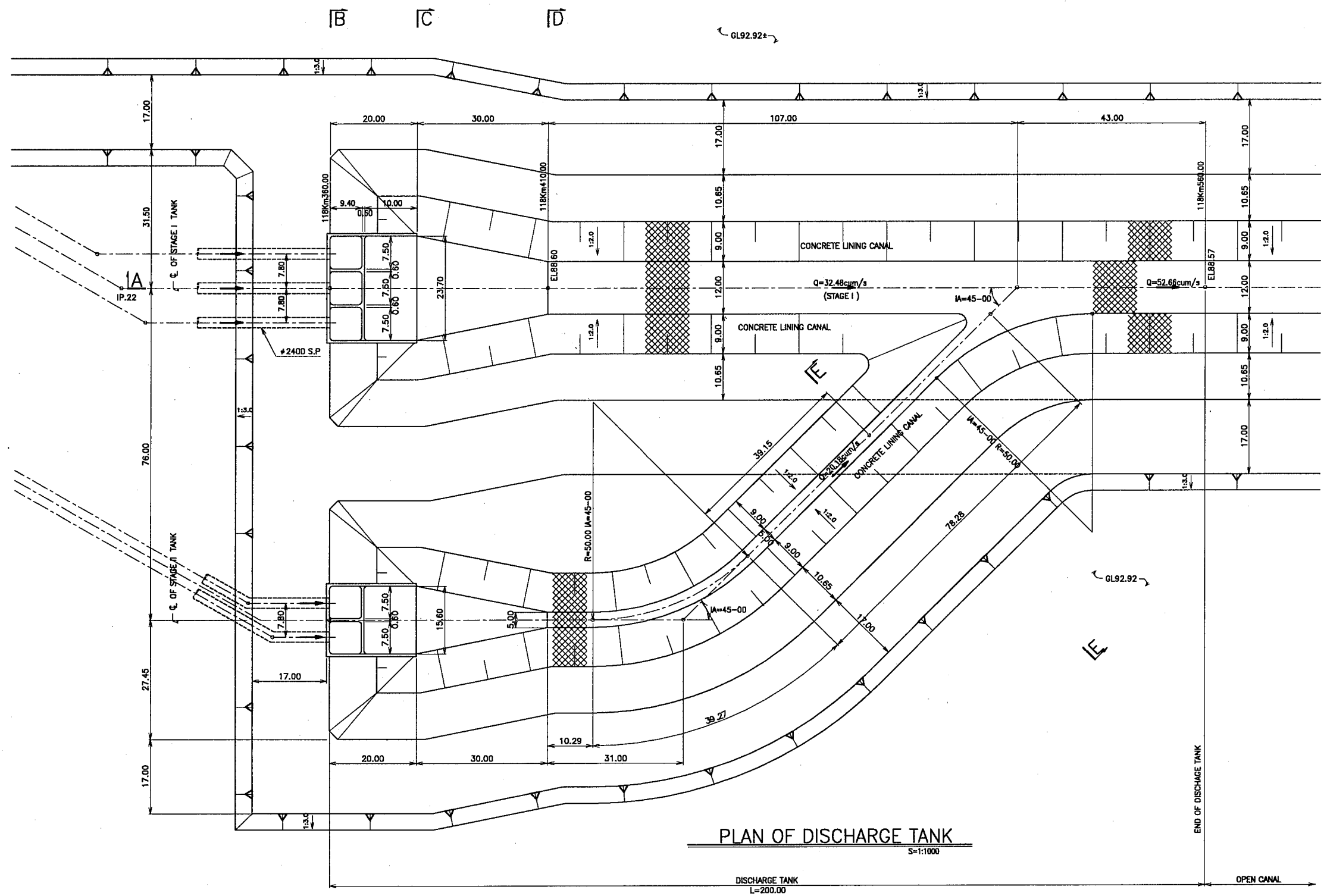
SECTION B-B
SCALE 1:100



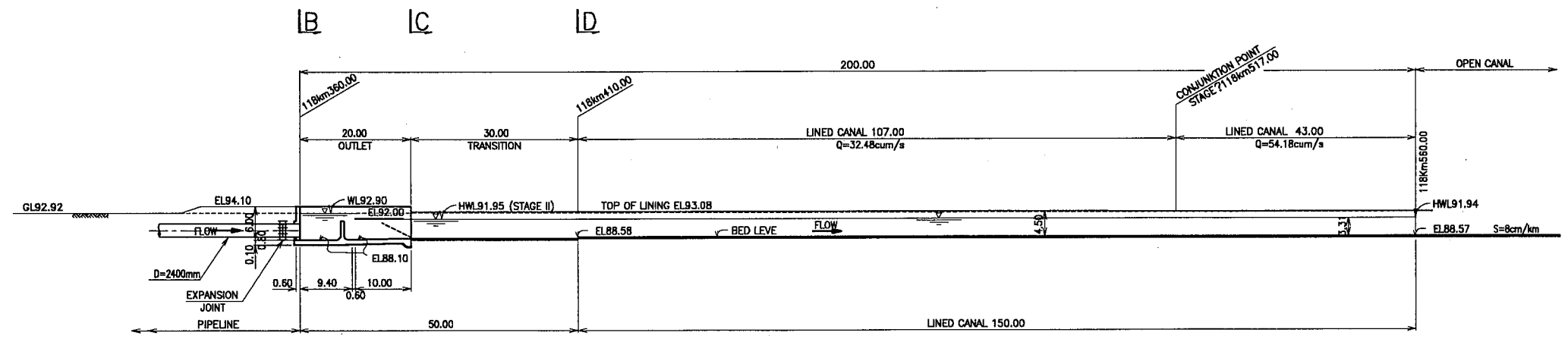
SECTION A-A
SCALE 1:100



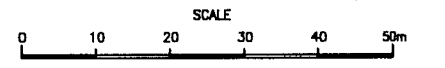
THE ARAB REPUBLIC OF EGYPT MINISTRY OF WATER RESOURCES AND IRRIGATION NORTH SINAI DEVELOPMENT ORGANIZATION THE NORTH SINAI INTEGRATED RURAL DEVELOPMENT PROJECT (PHASE III) CONVEYANCE CANAL SYSTEM BETWEEN THE END OF EL EL ABD ZONE UNTIL THE BEGINNING OF EL SIR AND EL KAWARER ZONE PIPELINE ELEVATION AND SECTION OF AIR VALVES JAPAN INTERNATIONAL COOPERATION AGENCY (JICA) SANYU CONSULTANTS INC, PACIFIC CONSULTANTS INTERNATIONAL	
DESIGNED	
TRACED	
CHECKED	
APPROVED	
DRAWING NO.	AP - 04



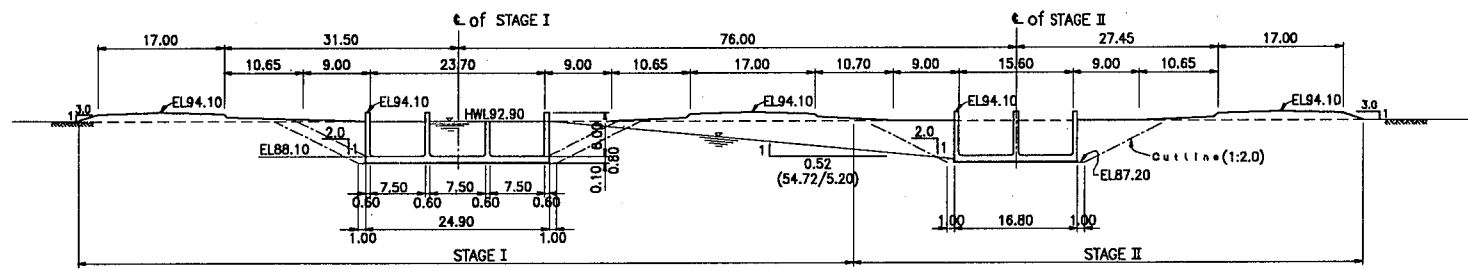
PLAN OF DISCHARGE TANK
S=1:1000



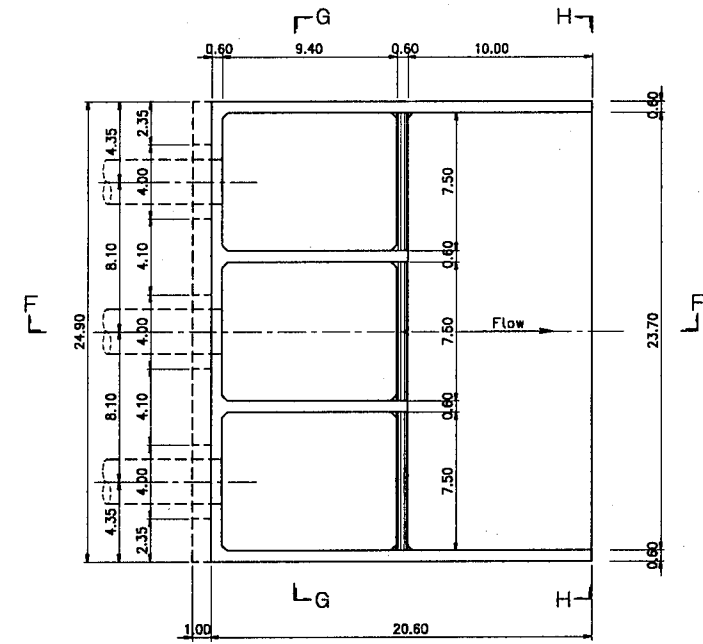
SECTION A-A
S=1:1000



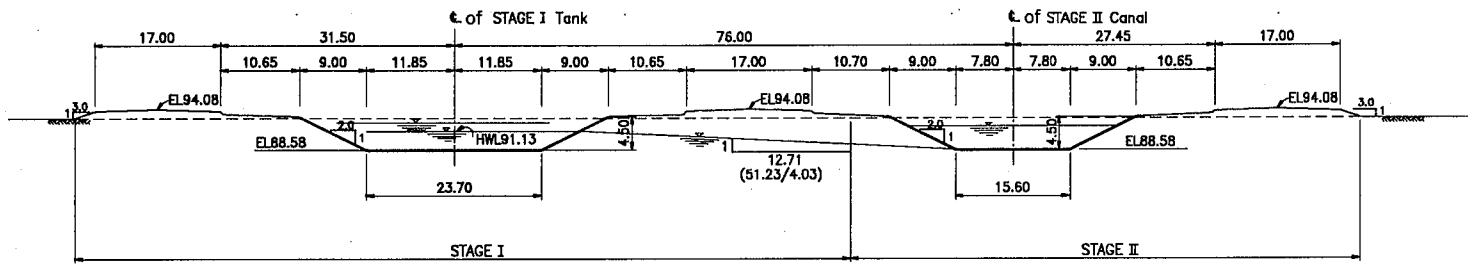
THE ARAB REPUBLIC OF EGYPT MINISTRY OF WATER RESOURCES AND IRRIGATION NORTH SINAI DEVELOPMENT ORGANIZATION THE NORTH SINAI INTEGRATED RURAL DEVELOPMENT PROJECT (PHASE III) CONVEYANCE CANAL SYSTEM BETWEEN THE END OF EL. EL. AND ZONE UNTIL THE BEGINNING OF EL. SIR AND EL. KAWARER ZONE PLAN AND PROFILE OF DISCHARGE TANK JAPAN INTERNATIONAL COOPERATION AGENCY (JICA) SANYU CONSULTANTS INC, PACIFIC CONSULTANTS INTERNATIONAL	
DESIGNED	
TRACED	
CHECKED	
APPROVED	
DRAWING NO.	AP - 05



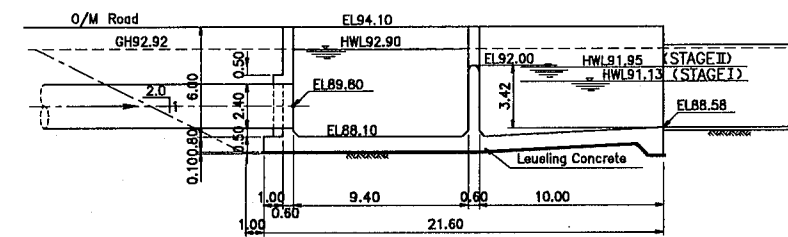
SECTION B - B
S=1/1000



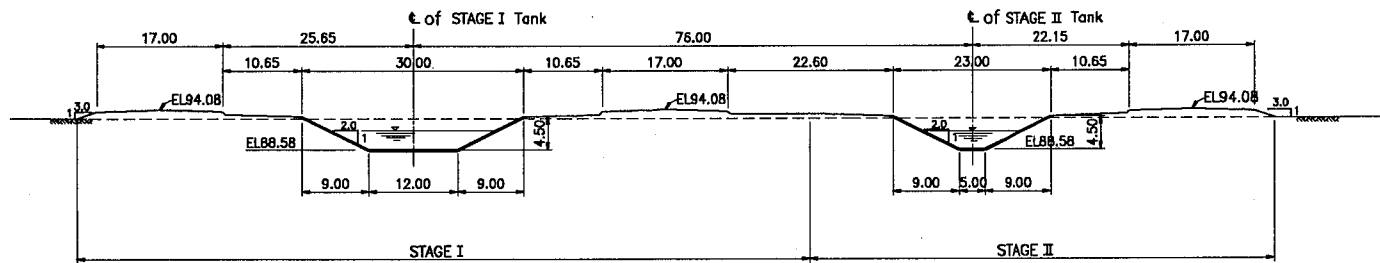
PLAN OF TANK
S=1/400



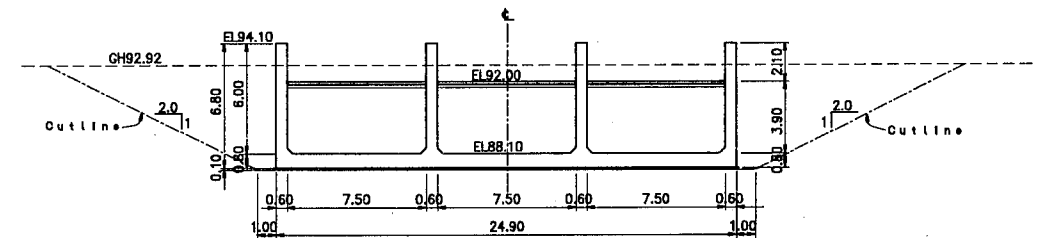
SECTION C - C
S=1/1000



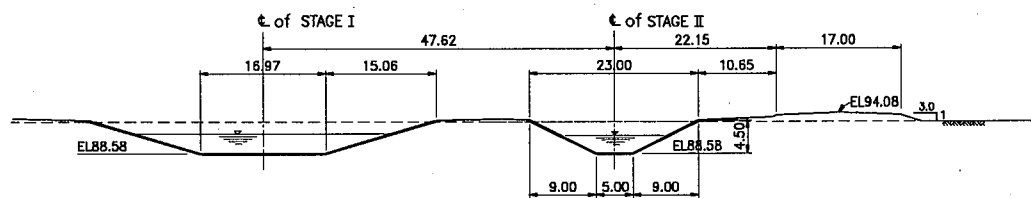
SECTION F - F
S=1/400



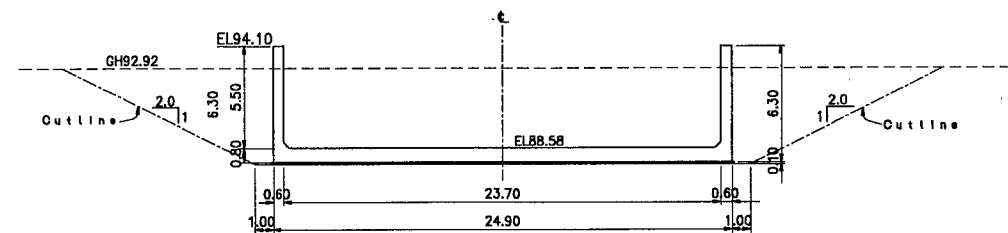
SECTION D - D
S=1/1000



SECTION G - G
S=1/400



SECTION E - E
S=1/1000



SECTION H - H
S=1/400

THE ARAB REPUBLIC OF EGYPT MINISTRY OF WATER RESOURCES AND IRRIGATION NORTH SINAI DEVELOPMENT ORGANIZATION THE NORTH SINAI INTEGRATED RURAL DEVELOPMENT PROJECT (PHASE III) CONVEYANCE CANAL SYSTEM BETWEEN THE END OF EL EL ABD ZONE UNTIL THE BEGINNING OF EL SIR AND EL KAWASSER ZONE CROSS SECTION OF DISCHARGE TANK JAPAN INTERNATIONAL COOPERATION AGENCY (JICA) SANYU CONSULTANTS INC, PACIFIC CONSULTANTS INTERNATIONAL	
DESIGNED	
TRACED	
CHECKED	
APPROVED	
DRAWING NO.	AP - 06