

Project:
 Tourism Sector Development Project
 in the Hashemite Kingdom of Jordan

Executing Agency:
 The Ministry of Tourism and Antiquities
 The Ministry of Planning

SUB-PROJECT:
 Dead Sea Panoramic Complex

Note:
 This detailed design has been executed by
 a team of consultants as shown below in
 accordance with the agreement between
 Japan International Cooperation Agency
 (JICA) and JICA Study Team.
 The copyright of this drawing rests with JICA.

- LEGEND :**
- ISOLATING VALVE
 - PRESSURE REDUCING VALVE
 - A.C.H.U. AUTOMATIC CHANGE UNIT
 - PRESSURE GAUGE
 - SAFETY VALVE
 - SOLENOIED SHUT OFF VALVE
- BSP : BLACK STEEL PIPE
 GLDP : GAS LEAK DETECTION PANEL

Designed by:
 Japan International Cooperation
 Agency (JICA)

JICA Study Team:
 Joint Venture of
 Pacific Consultants International and
 Yamashita Sekkei Inc.

Subcontracted Local Consultant:

 consolidated consultants
 engineering & environment
 Tel: 012271 - Fax: 012270 - 10000 - JORDAN



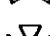


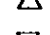
Date:	June	2000
GAS SCHEMATIC DIAGRAM		
Drawing Title:		
Scale:	Drawing No.:	
N.T.S.	DSPC-P-025	

Project:
 Tourism Sector Development Project
 in the Hashemite Kingdom of Jordan

Executing Agency:
 The Ministry of Tourism and Antiquities
 The Ministry of Planning

SUB-PROJECT:
 Dead Sea Panoramic Complex

Note:
 This detailed design has been executed by
 a team of consultants as shown below in
 accordance with the agreement between
 Japan International Cooperation Agency
 (JICA) and JICA Study Team.
 The copyright of this drawing rests with JICA.

- LEGEND :
-  ISOLATING VALVE
 -  PRESSURE REDUCING VALVE
 -  A.C.H.U. AUTOMATIC CHANGE UNIT
 -  PRESSURE GAUGE
 -  SAFETY VALVE
 -  SOLENOID SHUT OFF VALVE
- BSP : BLACK STEEL PIPE
 GLDP : GAS LEAK DETECTION PANEL

Designed by:
 Japan International Cooperation
 Agency (JICA)

JICA Study Team:
 Joint Venture of
 Pacific Consultants International and
 Yamashita Sekkei Inc.

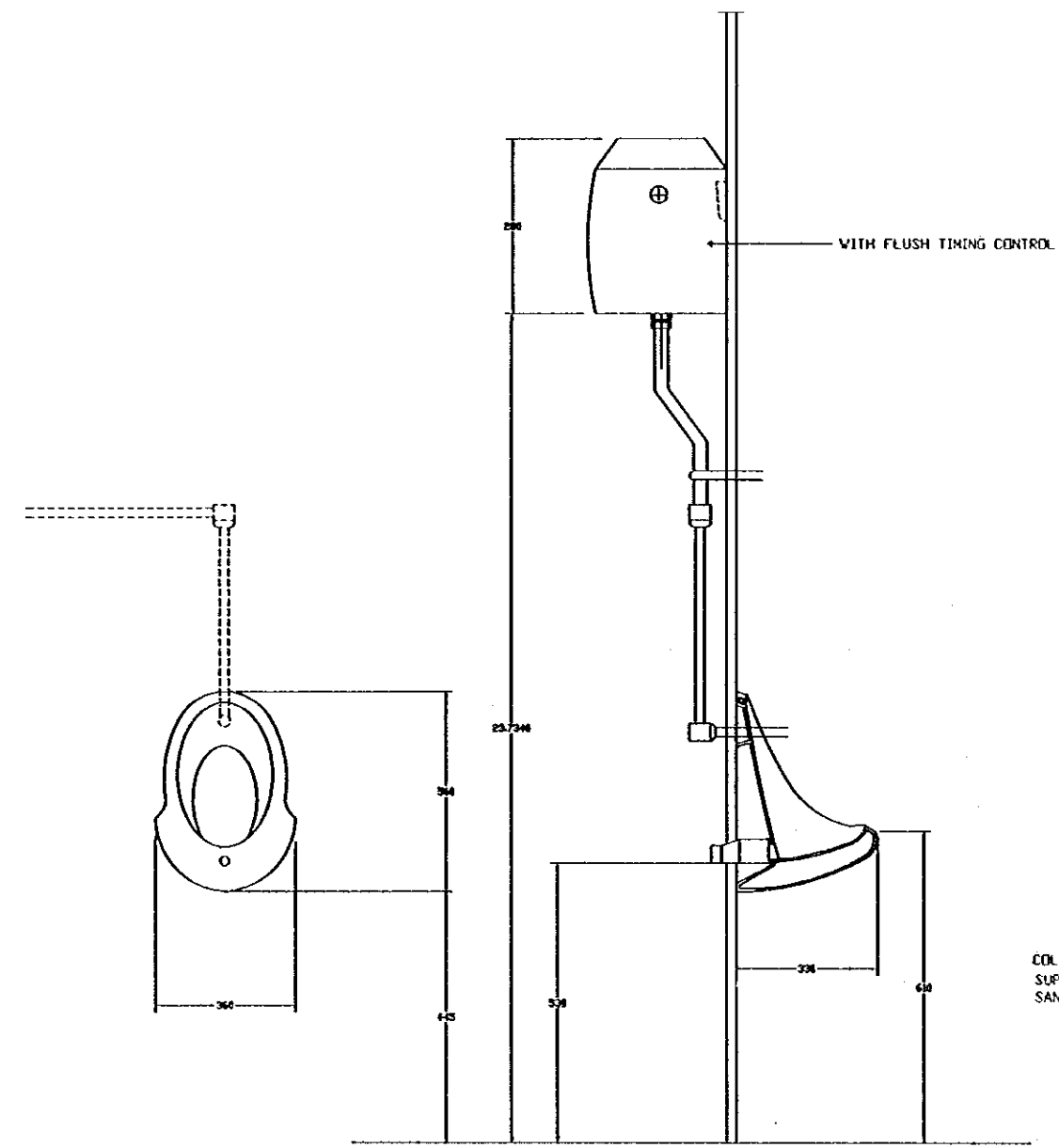
Subcontracted Local Consultant:
 consolidated consultants
 engineering & architecture
 Tel: 412377 - Fax: 412388 - AMMAN - JORDAN

Date: June 2000

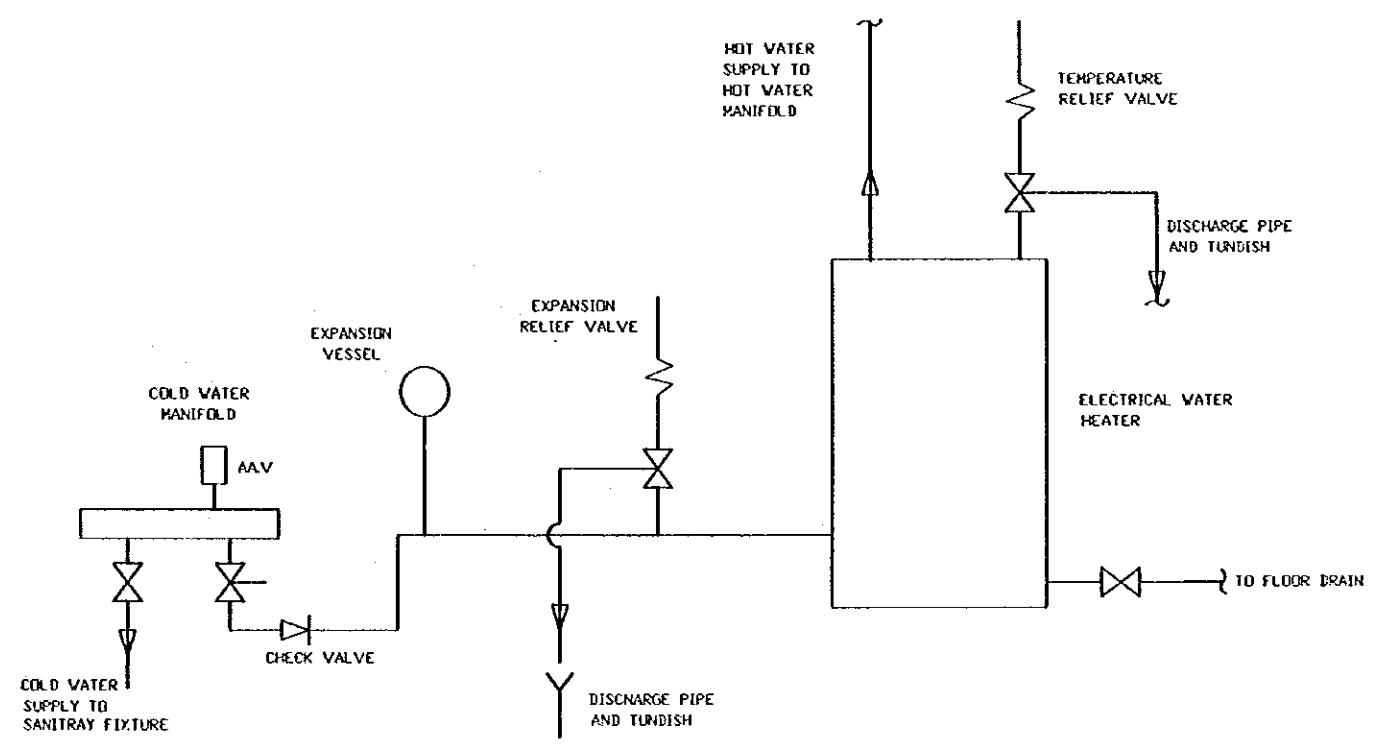
PLUMBING DETAILS

Drawing Title:

Scale: N.T.S. Drawing No.: DSPC.P-026



URINAL DETAIL
 Scale N.T.S



ELECTRICAL WATER HEATER INSTALLATION
 Scale N.T.S

LIGHTING

- 4000W 400W METAL HALIDE FLOOD LIGHT IP 65 (M1)
- 4000W 400W HIGH-PRESSURE SODIUM , IP65 FLOOD LIGHT (S1)
- 2500W 250W HIGH PRESSURE SODIUM FLOOD LIGHT IP65 (S2)
- 2500W 250W METAL HALIDE FLOOD LIGHT IP65 (M2)
- 1500W 500W HALOGEN FLOOD LIGHT FIXED ON SMALL (H1)
CONCRETE BASE , IP65 .
- H1000 DITTO BUT 1000W (H2)
- H 70W , HQI-T5 , PROJECTOR , WDL , 3000K LAMP TO BE FIXED
ON SUSPENDED SPECIAL ROD DIRECTED TOWARD STAGE (M3)
- H DITTO BUT 250W HALOGEN PROJECTOR HAL E27 (H3)
- ST SUSPENDED 1PHASE SPOT TRACK (3KW LOAD
TRACK) INCLUDING CONNECTORS , INITIAL AND
CENTRAL FEED , COVER PLATES , FASTING
ELEMENTS PENDANT TUBE SUSPENSION ,
PENDANT ADAPTERS ,ETC.
- Q 75W TRACK MOUNTED 230V HALOGEN PROJECTOR
365 ROTATING , 90 TILT JOINT (H4)
- ST LIGHTING UNIT WITH 26W TC-D LAMP TO BE
INSTALLED IN LOCAL MADE STONE (SEE DETAIL) (F1)
- F IP679 RECESSED IN FLOOR LIGHTING UNIT (S3)
WITH 70W SON LAMP .
- S 100W OUTDOOR LIGHTING UNIT WITH SPIKE (H5)
- B 1m HIGH BOLLARD WITH 18W ENERGY SAVING (F2)
LAMP (LP)
- 10m HEIGHT STREET LIGHTING POLE WITH ONE METER ARM
IP 54 (S4) 250W, SON LIGHTING UNIT .
- DITTO BUT TWIN LIGHTING UNITS AND 2 ARMS (S5)
- WALL MOUNTED RECESSED LIGHTING UNIT (F3)
WITH 13W LP LAMP .
- WALL MOUNTED RECESSED LIGHTING UNIT
(SEE DETAIL) WITH 100W PAR 38 LAMP (P1)
- 50W HALOGEN SPOT LIGHT WITH TRANSFORMER (H6)
- 60W INCANDESCENT SPOT LIGHT (H1)
- 70W LINEAR HALOGEN DECORATIVE WALL BRACKET (H7)
- WALL MOUNTED 70W LINEAR HALOGEN LIGHTING
UNIT TO BE FIXED IN STONE CONE WHICH CONSIST
A PART OF THE COLUMN (SEE ARCH DETAIL) (H8)
- DIRECTIONAL HALOGEN RECESSED DOWN LIGHT
230V , 150W LAMP , RING & HOUSING IN SATIN
TRANSLUCENT BOROSILICATE GLASS, HORIZONTAL ROTATION
360° VERTICAL 2x30° , WITH ALUMINUM REFLECTOR (H9)
- 1x50 W INCANDESCENT WALL MOUNTED LIGHTING FIXTURE (I2)
- 4X18W FLORESCENT RECESSED IN FALSE CEILING (F4)
- DITTO BUT SURFACE MOUNTED (F5)
- 1X40W FLUORESCENT WITH DIFFUSER (F6)
- 1x60W INCANDESCENT SURFACE MOUNTED CEILING GLOBE (I3)
- DITTO AS (F6) BUT RECESSED IN METALLIC STRIP (F7)
- DITTO AS (F7) BUT 2x36w (F8)
- DITTO BUT SURFACE MOUNTED (F9)
- 1x36 W FLUORESCENT LIGHTING FIXTURE EXPLOSION PROOF (F10)
- 1X40W WARM WHITE , BATTEN TYPE
FLUORESCENT TO BE FIXED OVER GYPSUM BOARD
FOR INDIRECT LIGHT (SEE ARCH DETAIL) (F11)
- DITTO AS (F11) BUT 1X20w FLUORESCENT (F12)

LIGHTING

- * 1X20W PL-C RECESSED DOWN LIGHT WITH
DECORATIVE RING AND SILVER ALUMINUM REFLECTOR (F13)
- * DITTO BUT 2X42W PL-T/4P DOWN LIGHT WITH
DIFFUSER & ELECTRONIC BALLAST (F14)
- EF END EFFECT 6mm FIBER OPTIC TO BE INSTALLED
INSIDE FOUNTAIN NOZZLE.
- SE SIDE EFFECT 12mm FIBER OPTIC CONNECTED TO
THE HARNESS FROM BOTH ENDS , INSTALLED
UNDER FOUNTAIN PERIMETER.
- 150W METAL HALIDE FIBER OPTIC GENERATOR WITH
COLOUR WHEEL.
- = 2X8W NON-MAINTAINED EMERGENCY LIGHT (E1)
- EXIT DITTO BUT MAINTAINED EMERGENCY LIGHT (E2)
WITH EXIT SIGN.
- EXIT MAINTAINED 2x8w EMERGENCY LIGHTING DECORATIVE TYPE (E3)
- DS DIMMING SCREEN CONTROL BOARD (PROGRAMMED DIMMING SCENE).
- 10A ONE GANG ONE WAY SWITCH
- 10A TWO GANG TWO WAY SWITCH
- 10A ONE GANG ONE WAY SWITCH
- 10A TWO GANG TWO WAY SWITCH

POWER

- HD HAND DRYER
- 13 A SOCKET OUTLET 3 PIN SINGLE PHASE WITH SWITCH
FIXED AT 40cm F.F.L.
- 30 A INDUSTRIAL SOCKET OUTLET IP54 THREE PHASE
(3P+N+E) FIXED AT 1.5m F.F.L.
- 13A SINGLE PHASE SOCKET OUTLET 3PIN WITH RCD
PROTECTION, 30mA TRIP CURRENT FIXED AT 40cm F.F.L.
- 3 PHASE ISOLATING SWITCH (RATING AS INDICATED
ON DRAWINGS) IP54.
- 13A SINGLE PHASE SOCKET OUTLET 3PIN FLOOR
MOUNTED
- 13A SINGLE PHASE SOCKET OUTLET 3PIN ON CEILING
- WATER HEATER
- 20A DOUBLE POLE SWITCH WITH PILOT LAMP
- 13A SOCKET OUTLET 3 PIN , SINGLE PHASE WITH SWITCH , DUPLEX

LOW CURRENT

- 6W CEILING TYPE SPEAKER
- DITTO 10/20 W OUTDOOR PROJECTOR TYPE.
- 15W COLUMN TYPE SPEAKER MOUNTED
AT 220cm FROM F.F.L.
- DITTO BUT 50W COMPACT TYPE
- RADIATORS MOUNTED AT 200cm FROM F.F.L.
- MUSEUM SOUND SYSTEM RACK.
- DITTO BUT FOR RESTAURANT
- DITTO BUT FOR CONFERENCE
- MOTION DETECTOR FOR SECURITY SYSTEM WHERE
N INDICATES DET. No. & N THE ZONE NUMBER
- SECURITY PANEL BOARD ADDRESSABLE TYPE
- SECURITY KEY PAD
- LCD PROJECTOR, CEILING MOUNTED TYPE
- MICROPHONE WITH STAND.
- DITTO BY FOR CHAIRMAN
- SIMULTANEOUS INTERPRETATION RACK
- MULTI-CHANNEL INTERPRETER'S BOARD.
- AUDIO/VIDEO SWITCHER
- CENTRAL ANTENNA CONNECTION BOX.
- CAMERA OUTLET MOUNTED AT 0.6cm FROM FFL.
- CONNECTED TO SWITCHER IN CONTROL ROOM.
TV OUTLET MOUNTED AT 45cm FROM FFL.
- INTERCOM TO COMMUNICATE BETWEEN STAGE &
CONTROL ROOM
- AUDIO PATCH PANEL MOUNTED AT 1.0m FROM FFL.
- DITTO BUT VIDEO PATCH PANEL
- FIRE ALARM CONTROL PANEL
- INTELLIGENT ADDRESSABLE IONIZATION DETECTOR
- DITTO BUT THERMAL
- GAS LEAK DETECTOR
- DITTO BUT OPTICAL
- CALL POINT BREAK GLASS
- CONTROL MODULE
- MONITOR MODULE
- HORN/STROBE MOUNTED AT 200 cm. FROM F.F.L.
- TELEPHONE OUTLET, RJ11 TYPE MOUNTED
AT 45cm. FROM F.F.L.
- DITTO BUT MOUNTED AT 130cm. FROM F.F.L.
- TELEPHONE CONNECTION BOX
MOUNTED AT 100cm. FROM F.F.L.
- PRIVATE AUTOMATIC BRANCH EXCHANGE
- MAIN DISTRIBUTION FRAME
- LOW CURRENT MANHOLE (40x40x40)cm.
- EXTERNAL SOUNDER

Project:
Tourism Sector Development Project
in the Hashemite Kingdom of Jordan

Executing Agency:
The Ministry of Tourism and Antiquities
The Ministry of Planning

SUB-PROJECT:
Dead Sea Panoramic Complex

Note:
This detailed design has been executed by
a team of consultants as shown below in
accordance with the agreement between
Japan International Cooperation Agency
(JICA) and JICA Study Team.
The copyright of this drawing rests with JICA.

Designed by:
Japan International Cooperation
Agency (JICA)
JICA Study Team:
Joint Venture of
Pacific Consultants International and
Yamasita Sekkel Inc.

Subcontracted Local Consultant:

consolidated consultants
TEL: 4612172 - Fax: 4612180 - AMMAN - JORDAN

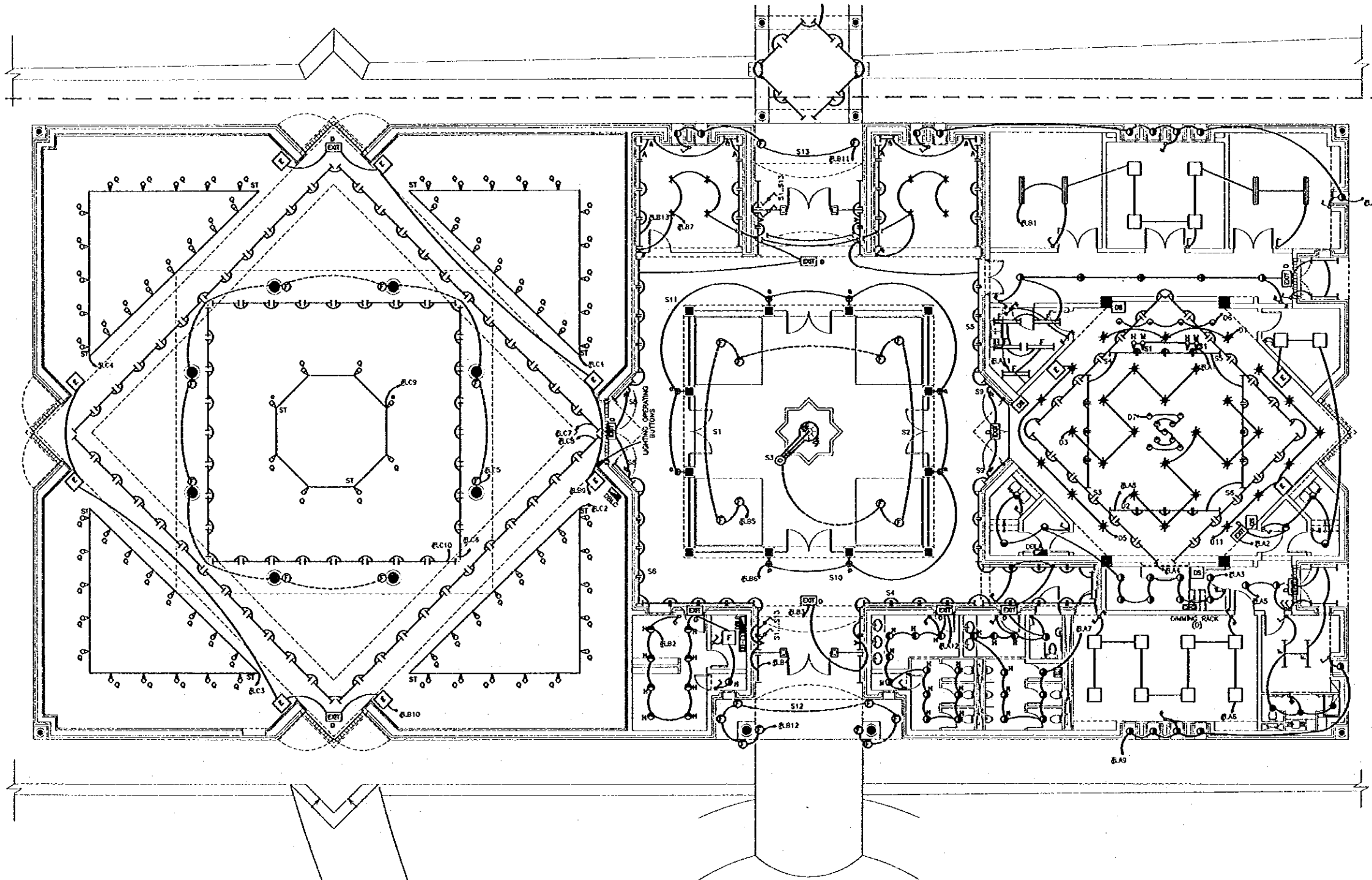
Date: June 2000

LEGEND

Drawing Title:

Scale: N.T.S. Drawing No.: DSPC.E-001

MATCH LINE



Project:
Tourism Sector Development Project
in the Hashemite Kingdom of Jordan

Executing Agency:
The Ministry of Tourism and Antiquities
The Ministry of Planning

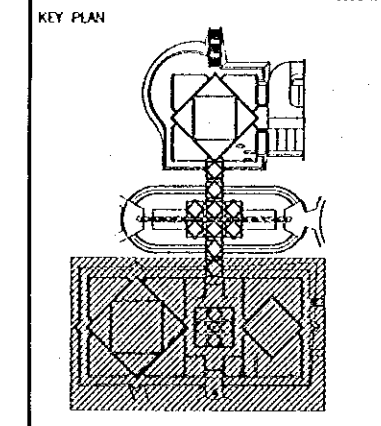
SUB-PROJECT:
Dead Sea Panoramic Complex

Notes:
This detailed design has been executed by
a team of consultants as shown below in
accordance with the agreement between
Japan International Cooperation Agency
(JICA) and JICA Study Team.
The copyright of this drawing rests with JICA.

NOTES :-

- 20mm PVC CONDUIT EMBEDDED IN SLAB
- - - 20mm PVC CONDUIT UNDER TILES

- LIGHTING IN EXHIBITION AREA IS CONTROLLED
BY CONTACTORS AND PUSH BUTTONS.



Designed by:
Japan International Cooperation
Agency (JICA)

JICA Study Team:
Joint Venture of
Pacific Consultants International and
Yamashita Sekkei Inc.

Subcontracted Local Consultant:

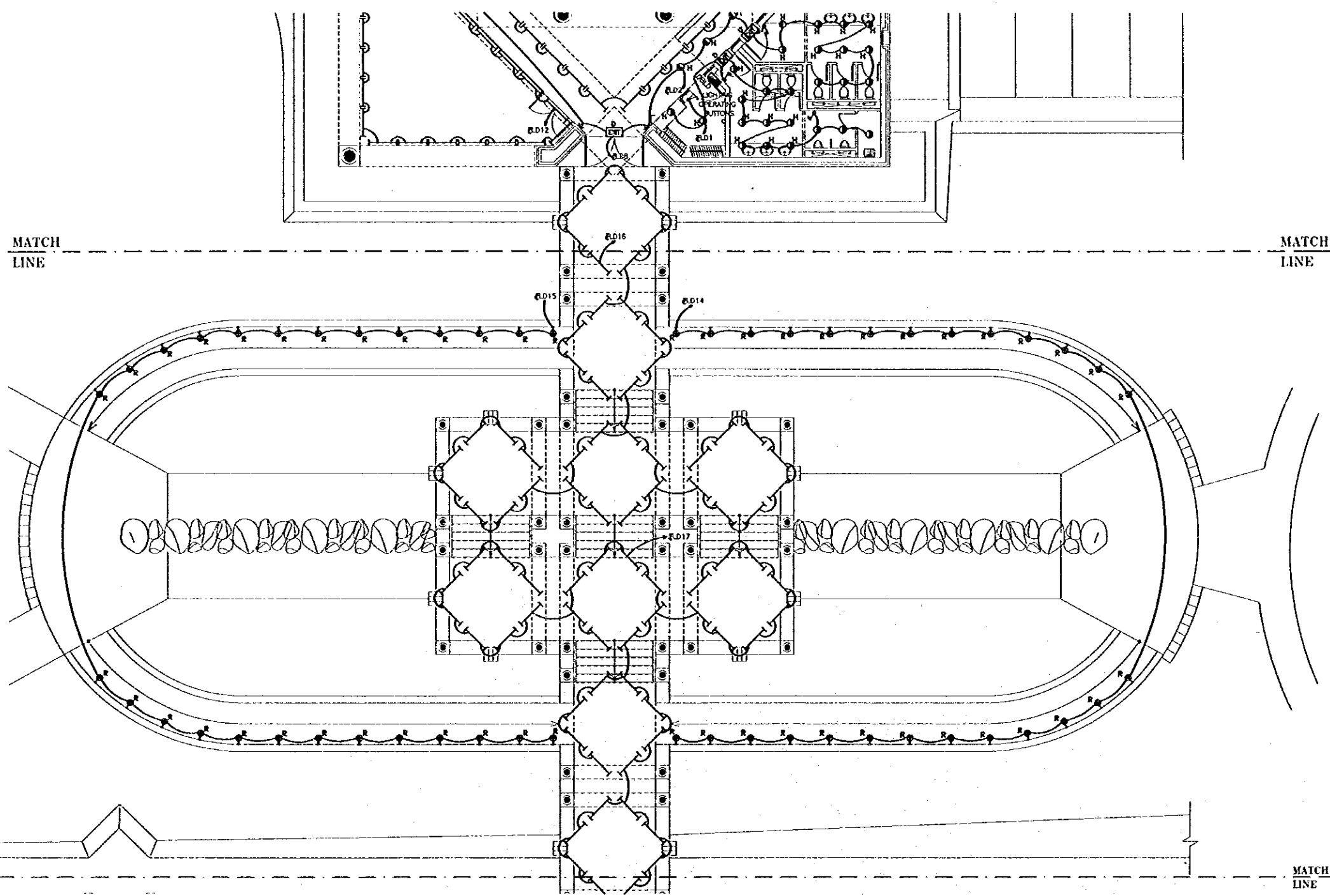
consolidated consultants
engineering & architecture
Tel: 4612777 - Fax: 4612300 - AMMAN - JORDAN

Date: June 2000

**MUSEUM / GROUND FLOOR
LIGHTING LAYOUT**

Drawing Title:

Scale: 1/100 Drawing No.: OSPC.E-002



Project:
Tourism Sector Development Project
in the Hashemite Kingdom of Jordan

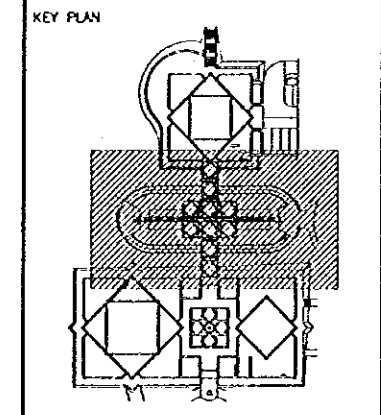
Executing Agency:
The Ministry of Tourism and Antiquities
The Ministry of Planning

SUB-PROJECT:
Dead Sea Panoramic Complex

Note:
This detailed design has been executed by
a team of consultants as shown below in
accordance with the agreement between
Japan International Cooperation Agency
(JICA) and JICA Study Team.
The copyright of this drawing rests with JICA.

NOTES :-

— PVC CONDUIT IN WALL #25mm



Designed by:
Japan International Cooperation
Agency (JICA)

JICA Study Team:
Joint Venture of
Pacific Consultants International and
Yamasita Sekkei Inc.

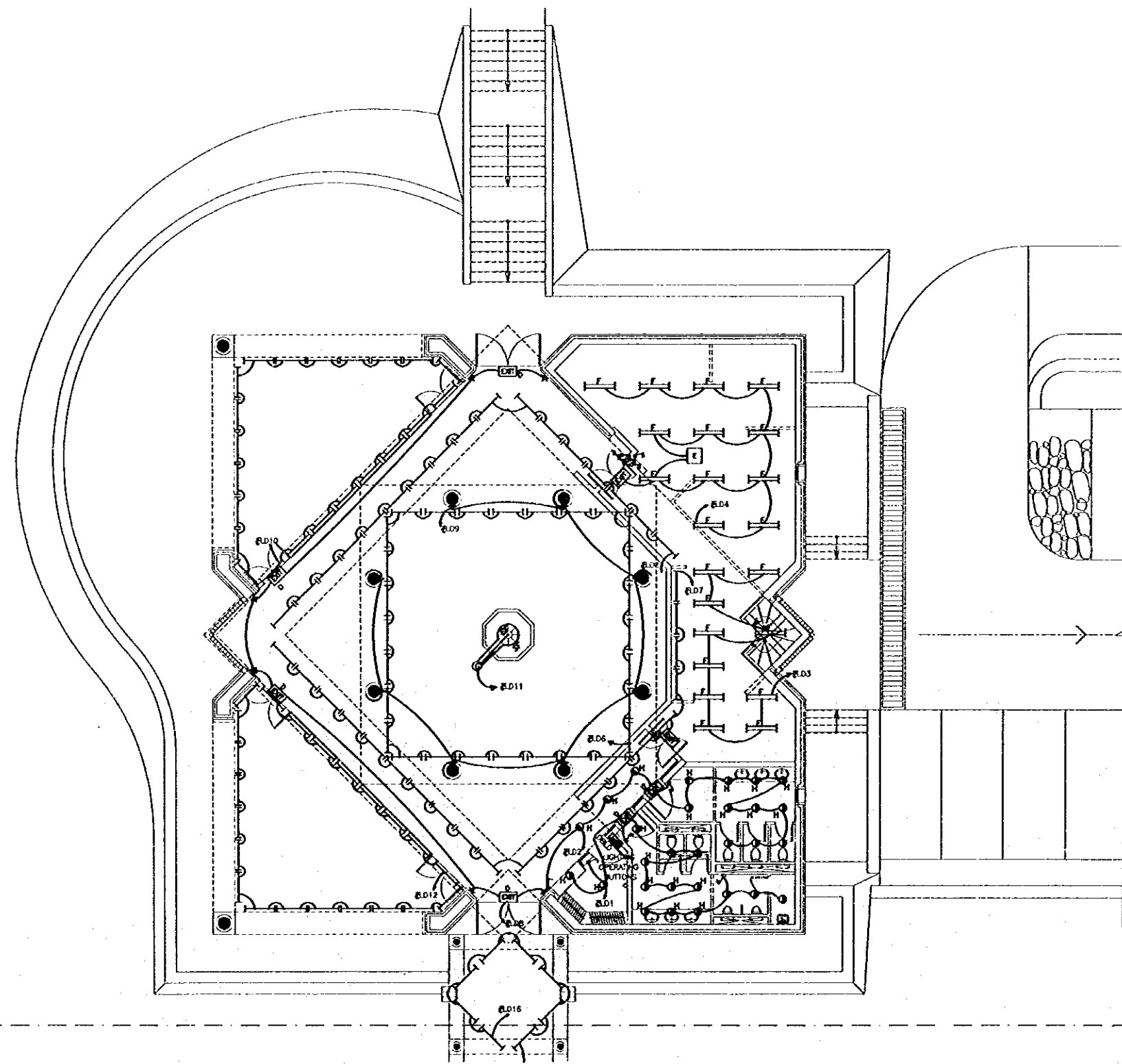
Subcontracted Local Consultant:

consultants
engineering & environment
Tel: 9512377 - Fax: 9512390 - AMMAN - JORDAN

Date: June 2000

**RAMP / GROUND FLOOR
LIGHTING LAYOUT**
Drawing Title:

Scale: 1/100 Drawing No.: DSPC.E-003



Project:
 Tourism Sector Development Project
 in the Hashemite Kingdom of Jordan

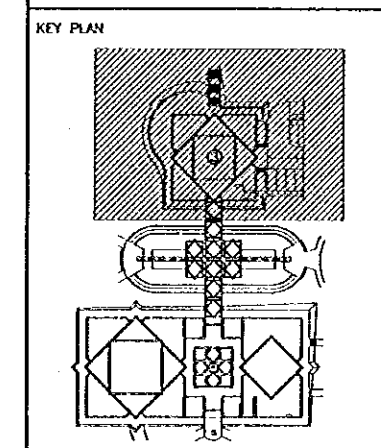
Executing Agency:
 The Ministry of Tourism and Antiquities
 The Ministry of Planning

SUB-PROJECT:
 Dead Sea Panoramic Complex

Note:
 This detailed design has been executed by
 a team of consultants as shown below in
 accordance with the agreement between
 Japan International Cooperation Agency
 (JICA) and JICA Study Team.
 The copyright of this drawing rests with JICA.

NOTES :-

— # 20mm PVC CONDUIT EMBEDDED IN SLAB



Designed by:
 Japan International Cooperation
 Agency (JICA)

JICA Study Team:
 Joint Venture of
 Pacific Consultants International and
 Yamasita Sekkel Inc.

Subcontracted Local Consultant:

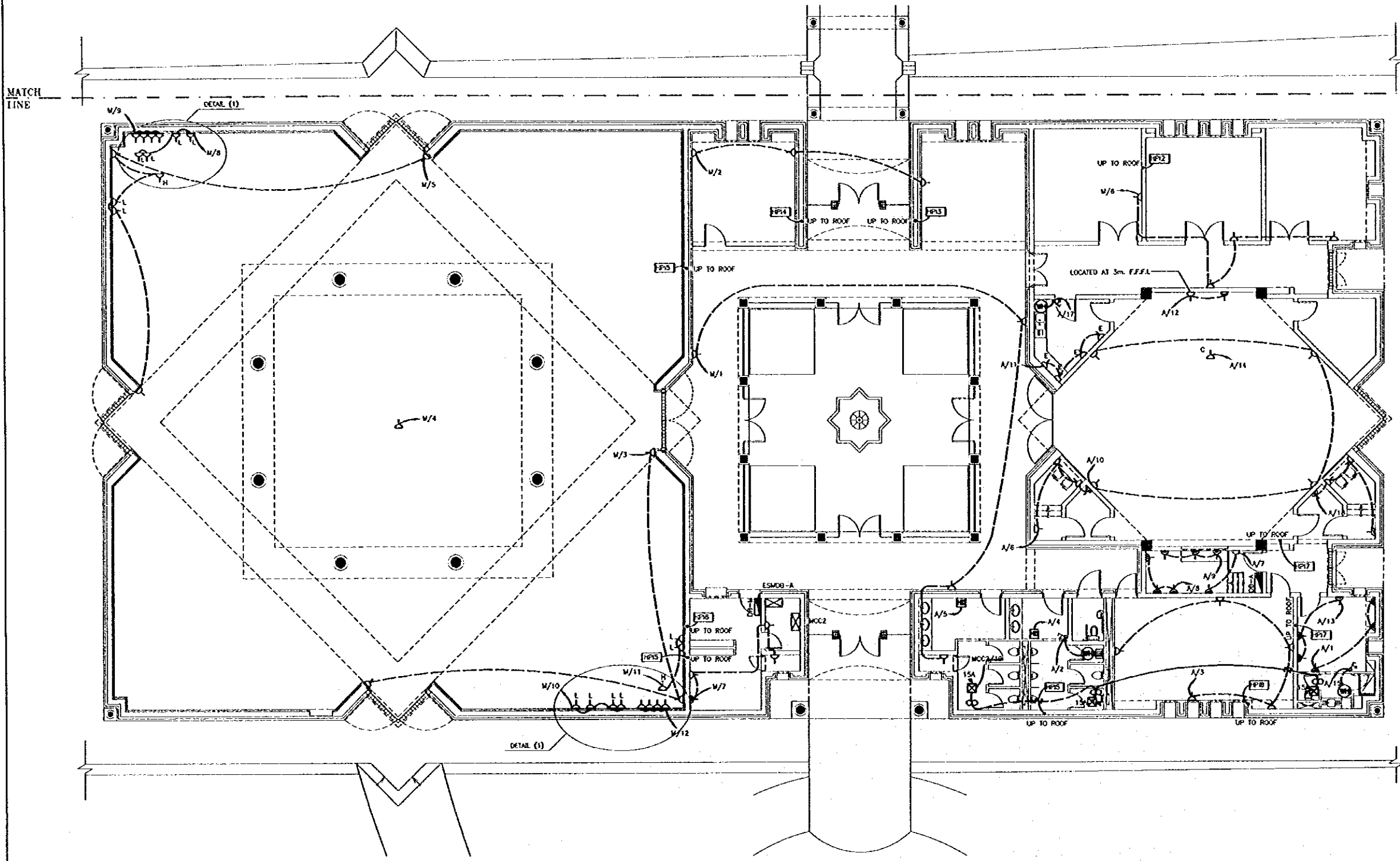
consolidated consultants
 engineering & architectural
 Tel. 4612577 - Fax. 4612580 - AMMAN - JORDAN

Date: June 2000

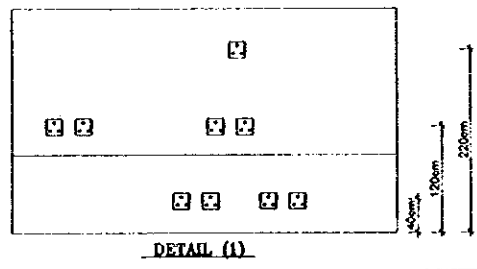
**RESTAURANT / GROUND FLOOR
 LIGHTING LAYOUT**

Drawing Title:

Scale: 1/100 Drawing No.: DSPCE-004



MATCH LINE



Project:
Tourism Sector Development Project
in the Hashemite Kingdom of Jordan

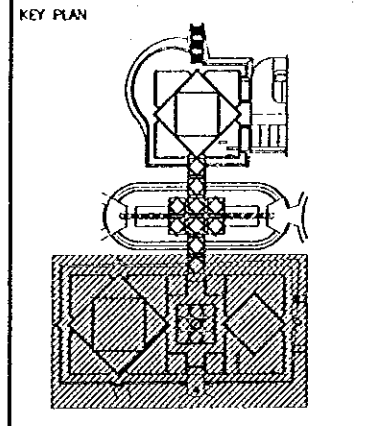
Executing Agency:
The Ministry of Tourism and Antiquities
The Ministry of Planning

SUB-PROJECT:
Dead Sea Panoramic Complex

Note:
This detailed design has been executed by a team of consultants as shown below in accordance with the agreement between Japan International Cooperation Agency (JICA) and JICA Study Team. The copyright of this drawing rests with JICA.

NOTES :-

- FOR EXACT LOCATION OF MECHANICAL EQUIPMENT REFER TO MECHANICAL DRAWINGS .
- PVC CONDUIT UNDER TILES
- PVC CONDUIT IN SLAB
- * #20mm PVC CONDUIT TO BE USED FOR SOCKET OUT LET CIRCUITS
- * #25mm PVC CONDUIT TO BE USED FOR HAND DRYER CIRCUITS AND EXHAUST FAN
- ⊕ 15A OUTLET AT 220cm HEIGHT
- ⊕ 15A OUTLET AT 120cm HEIGHT



Designed by:
Japan International Cooperation Agency (JICA)

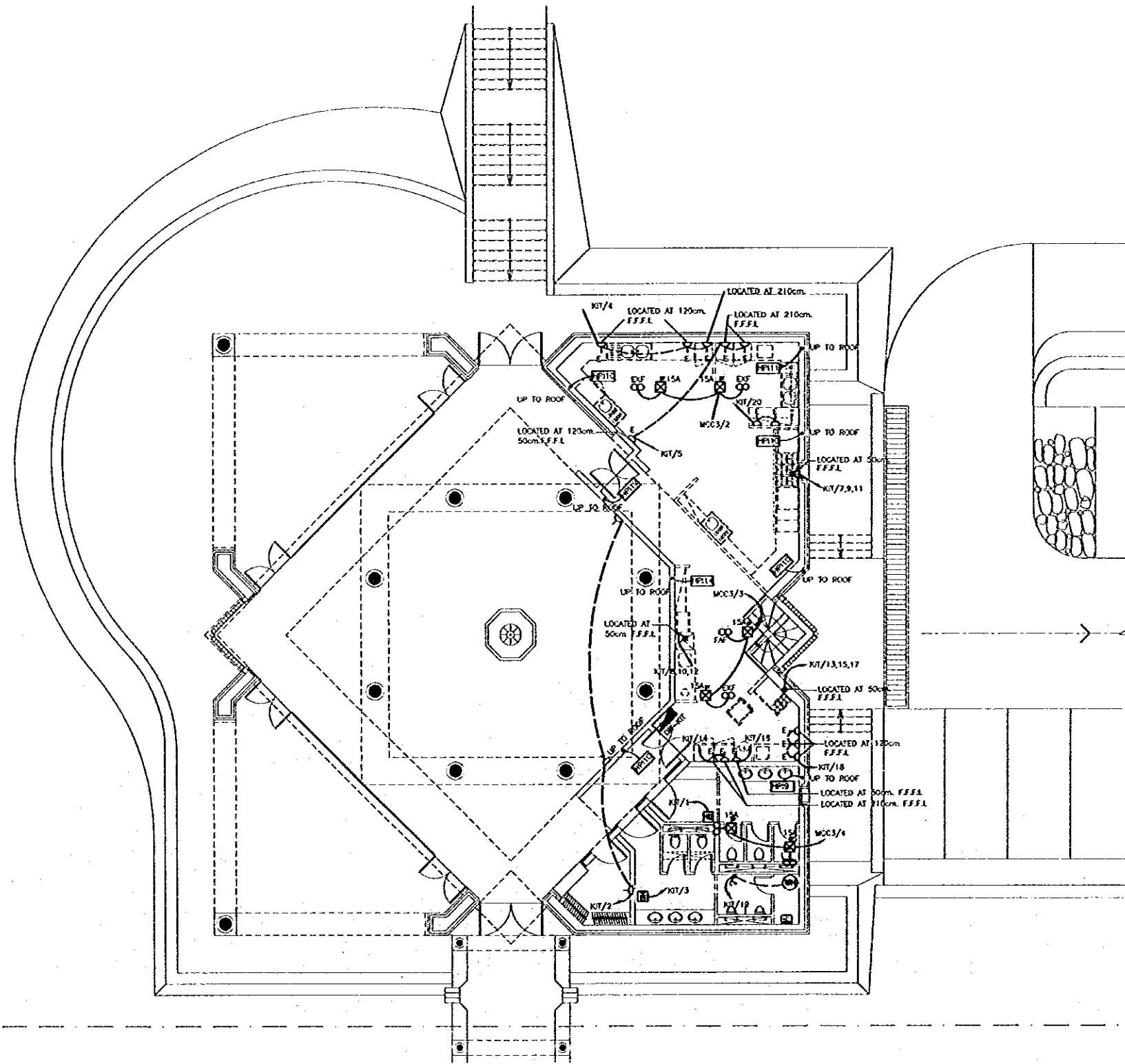
JICA Study Team:
Joint Venture of Pacific Consultants International and Yamasita Sekkel Inc.

Subcontracted Local Consultant:
consolidated consultants
TEL: 0012171 - FAX: 0012300 - AMMAN - JORDAN

Date: June 2000

MUSEUM / GROUND FLOOR POWER LAYOUT
Drawing Title:

Scale: 1/100 Drawing No.: DSPC-E-005



Project:
 Tourism Sector Development Project
 in the Hashemite Kingdom of Jordan

Executing Agency:
 The Ministry of Tourism and Antiquities
 The Ministry of Planning

SUB-PROJECT:
 Dead Sea Panoramic Complex

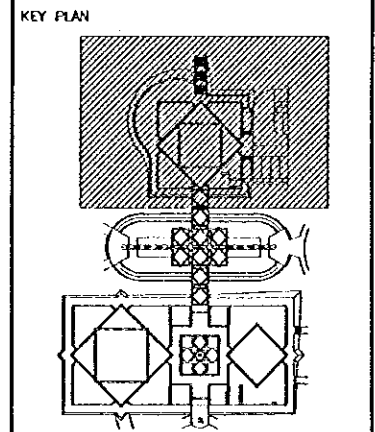
Note:
 This detailed design has been executed by
 a team of consultants as shown below in
 accordance with the agreement between
 Japan International Cooperation Agency
 (JICA) and JICA Study Team.
 The copyright of this drawing rests with JICA.

NOTES :-

FOR EXACT LOCATION OF MECHANICAL EQUIPMENT REFER
 TO MECHANICAL DRAWINGS .

--- PVC CONDUIT UNDER TILES
 ——— EMBEDDED IN SLAB PVC CONDUIT

* #25mm PVC CONDUIT TO BE USED FOR SOCKET OUT LET
 AND EXHAUST FAN
 * #38mm PVC CONDUIT TO BE USED FOR INDUSTRIAL
 SOCKET OUTLET



Designed by:
 Japan International Cooperation
 Agency (JICA)

JICA Study Team:
 Joint Venture of
 Pacific Consultants International and
 Yamasita Sekkel Inc.

Subcontracted Local Consultant:

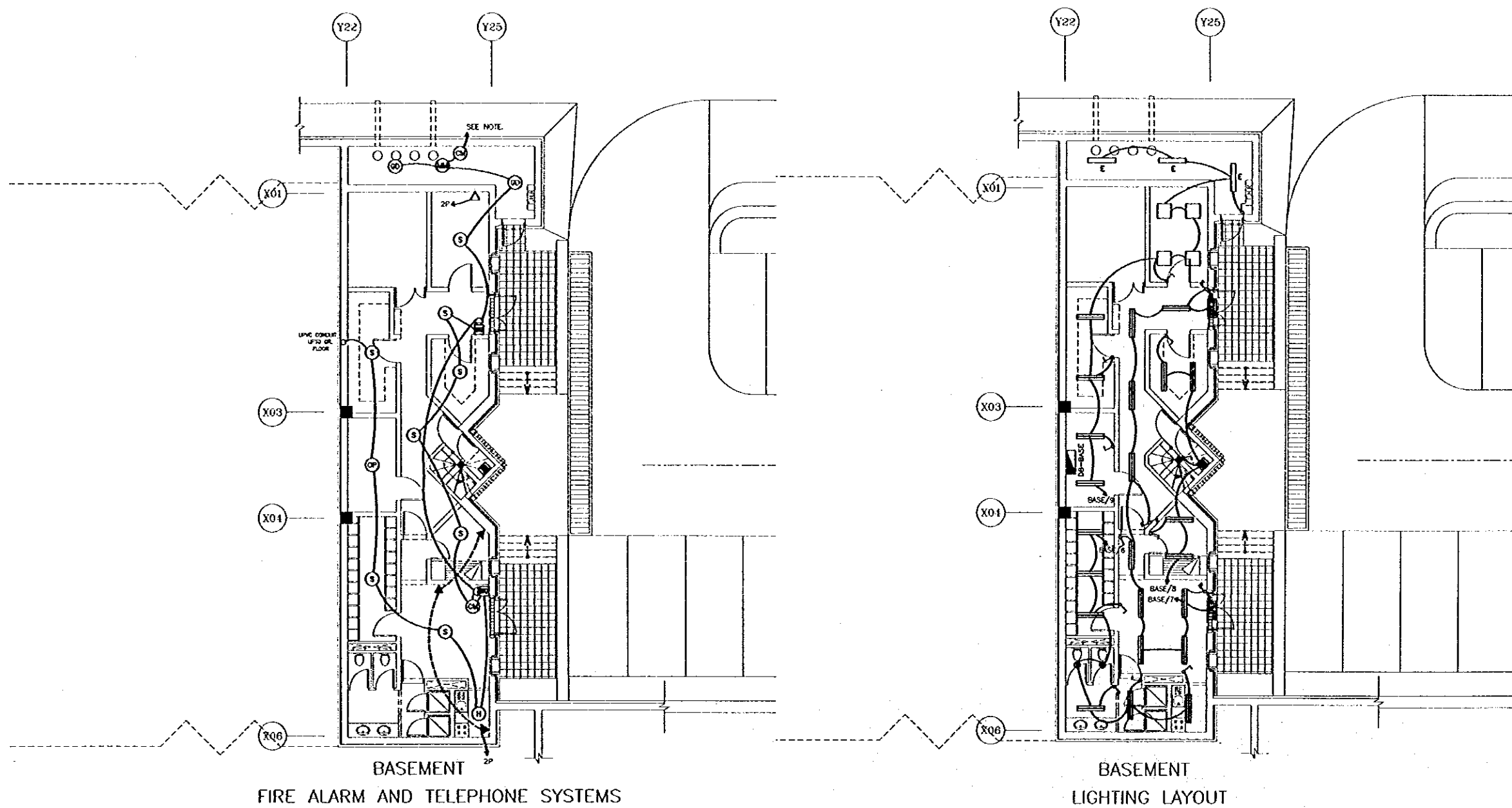
consolidated consultants
 engineering & environment
 Tel: 4612577 - Fax: 4612700 - MANAMA - JORDAN

Date: June 2000

**RESTAURANT / GROUND FLOOR
 POWER LAYOUT**

Drawing Title:

Scale: 1/100
 Drawing No.: DSPC.E-006



Project:
 Tourism Sector Development Project
 in the Hashemite Kingdom of Jordan

Executing Agency:
 The Ministry of Tourism and Antiquities
 The Ministry of Planning

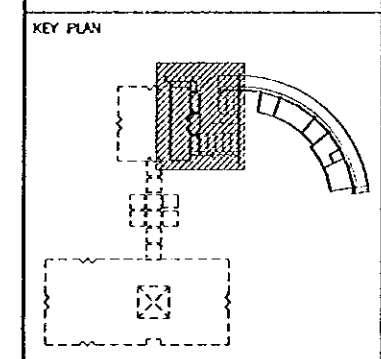
SUB-PROJECT:
 Dead Sea Panoramic Complex

Notes:
 This detailed design has been executed by
 a team of consultants as shown below in
 accordance with the agreement between
 Japan International Cooperation Agency
 (JICA) and JICA Study Team.
 The copyright of this drawing rests with JICA.

NOTES :-

CONNECT TO THE ELECTRICAL SAFETY VALVE WHICH IS
 INSTALLED ON THE MAIN GAS SUPPLY COLLECTOR AND
 SHALL BE CLOSED WHEN ANY OF THE SURROUNDING
 DETECTORS IS ACTIVATED

— #20mm PVC CONDUIT EMBEDDED IN SLAB



Designed by:
 Japan International Cooperation
 Agency (JICA)

JICA Study Team:
 Joint Venture of
 Pacific Consultants International and
 Yamashita Sekkei Inc.

Subcontracted Local Consultant:

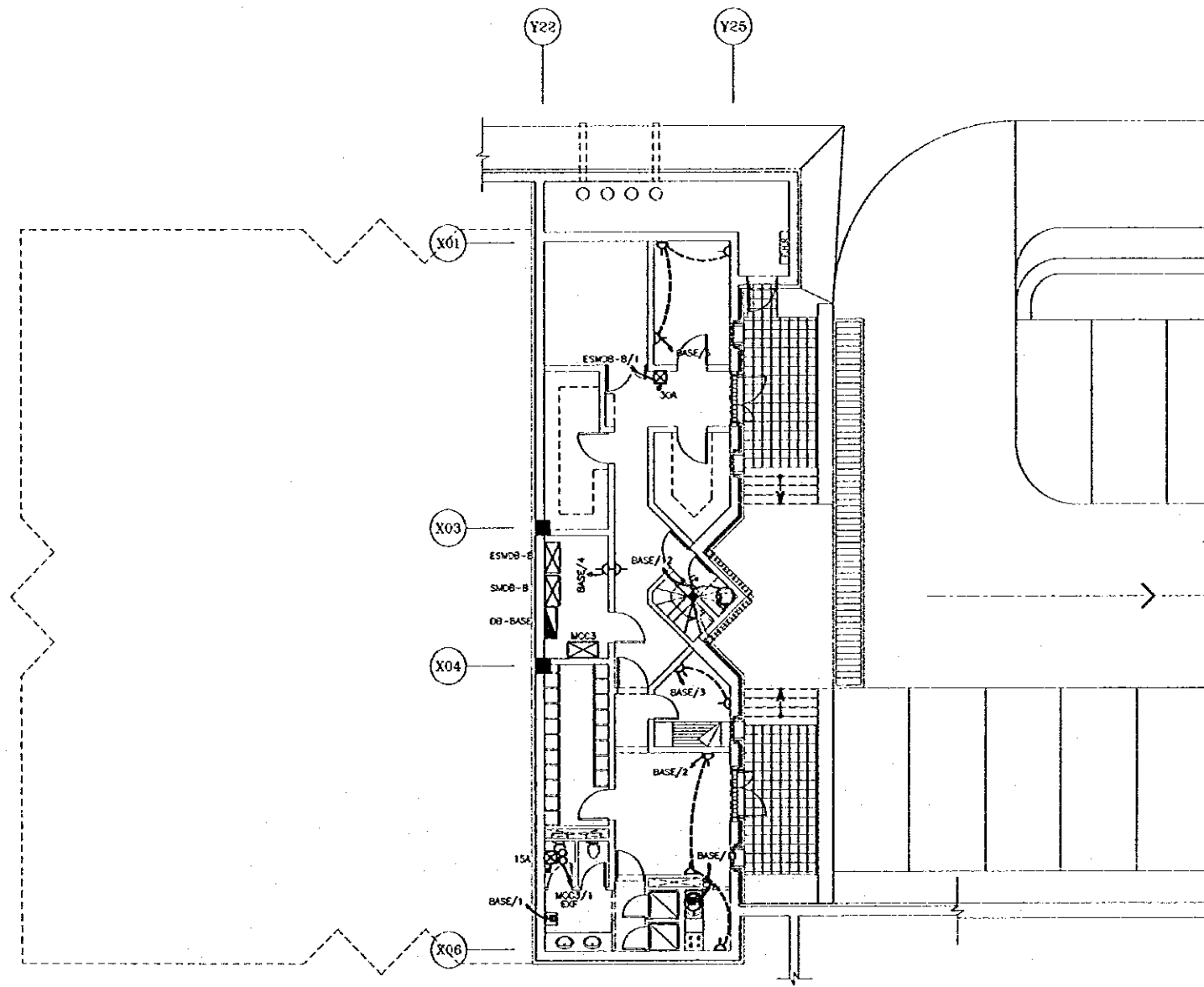


Date: June 2000

**BASEMENT FLOOR LIGHTING, FIRE
 ALARM & TELEPHONE LAYOUT**

Drawing Title:

Scale: 1/100 **Drawing No.:** OSPC.E-007



Project:
Tourism Sector Development Project
in the Hashemite Kingdom of Jordan

Executing Agency:
The Ministry of Tourism and Antiquities
The Ministry of Planning

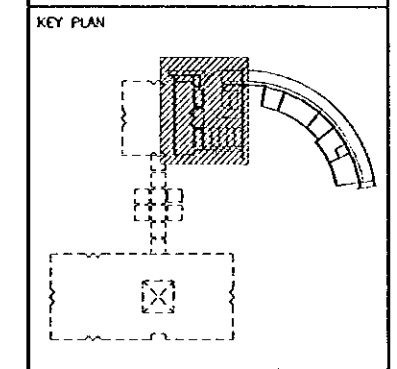
SUB-PROJECT:
Dead Sea Panoramic Complex

Note:
This detailed design has been executed by
a team of consultants as shown below in
accordance with the agreement between
Japan International Cooperation Agency
(JICA) and JICA Study Team.
The copyright of this drawing rests with JICA.

NOTES :-

FOR EXACT LOCATION OF MECHANICAL EQUIPMENT REFER
TO MECHANICAL DRAWINGS .

--- #20mm PVC CONDUIT UNDER TILES



Designed by:
Japan International Cooperation
Agency (JICA)

JICA Study Team:
Joint Venture of
Pacific Consultants International and
Yamashita Sekkel Inc.

Subcontracted Local Consultant:



Date: June 2000

**BASMENT FLOOR
POWER LAYOUT**

Drawing Title:

Scale: 1/100 Drawing No.: DSPC.E-008

Project:
 Tourism Sector Development Project
 in the Hashemite Kingdom of Jordan

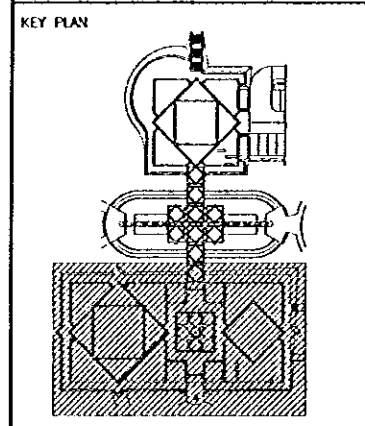
Executing Agency:
 The Ministry of Tourism and Antiquities
 The Ministry of Planning

SUB-PROJECT:
 Dead Sea Panoramic Complex

Note:
 This detailed design has been executed by
 a team of consultants as shown below in
 accordance with the agreement between
 Japan International Cooperation Agency
 (JICA) and JICA Study Team.
 The copyright of this drawing rests with JICA.

NOTES :-

- 20mm PVC CONDUIT ENBEDDED IN SLAB
- 20mm PVC CONDUIT UNDER TILES
- RJ45 DATA OUTLET
- EMPTY BOX AND CONDUIT



Designed by:
 Japan International Cooperation
 Agency (JICA)

JICA Study Team:
 Joint Venture of
 Pacific Consultants International and
 Yamashita Sekkei Inc.

Subcontracted Local Consultant:

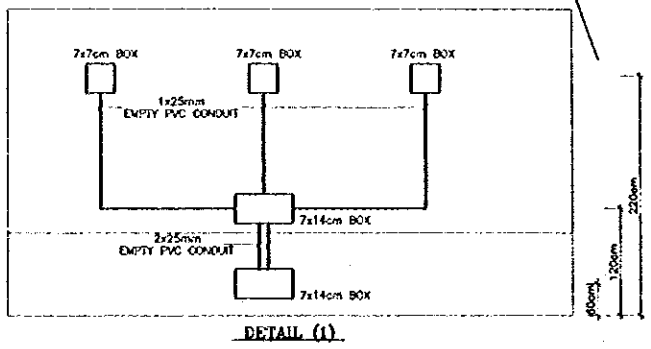
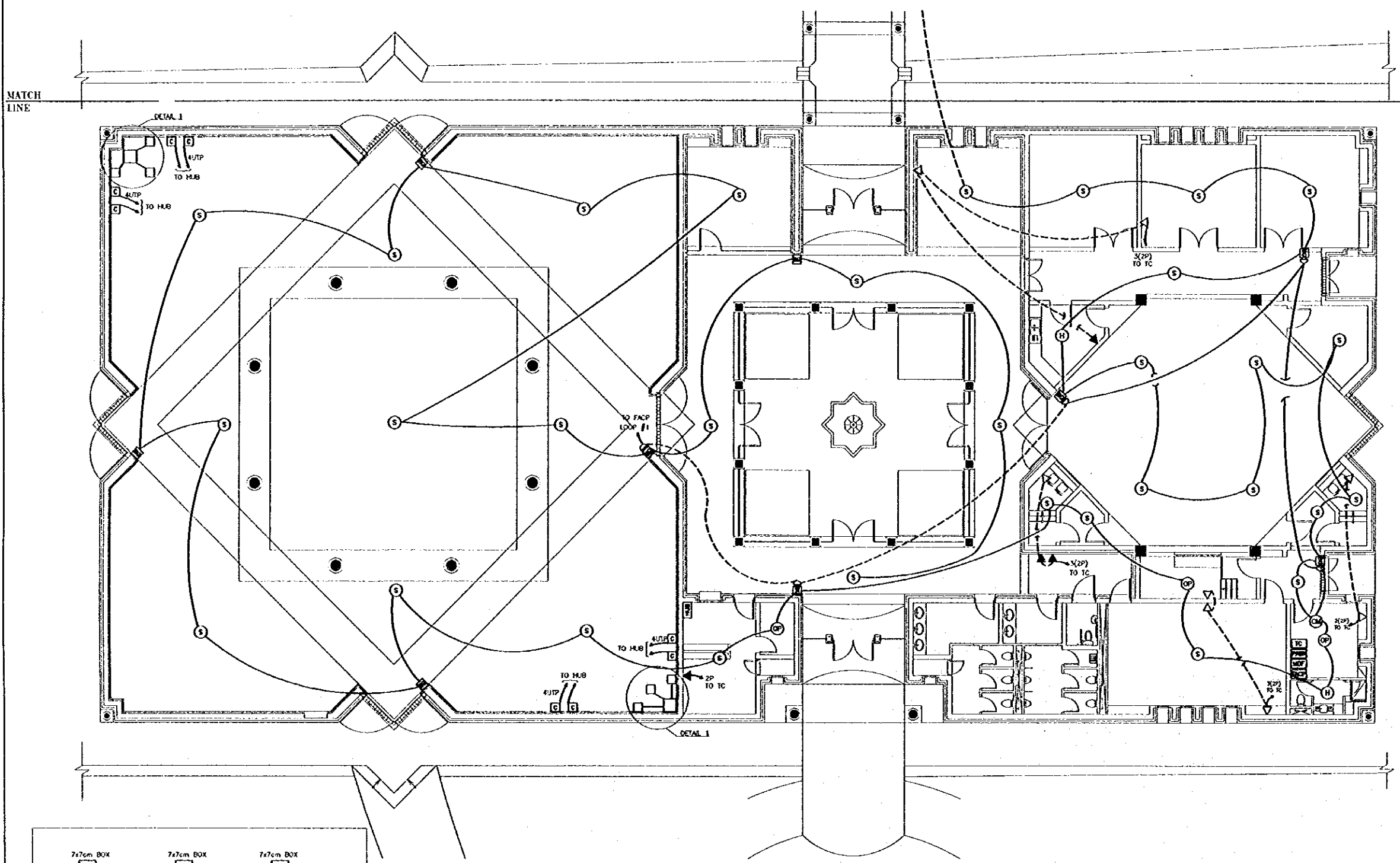
consolidated consultants
 engineering & environment
 Tel: 4612577 - Fax: 4612780 - AMMAN - JORDAN

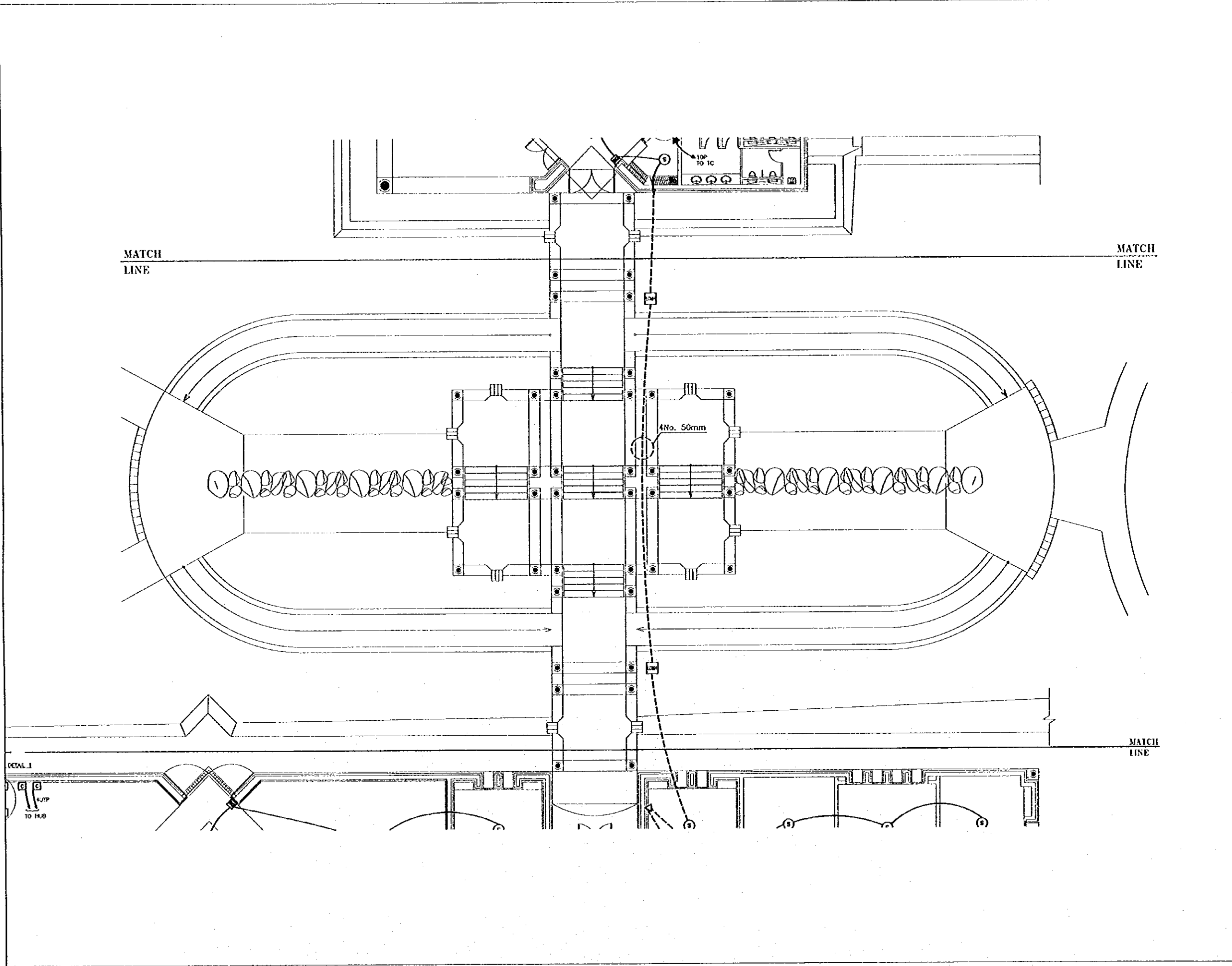
Date: June 2000

**MUSEUM / GROUND FLOOR
 FIRE ALARM & TELEPHONE LAYOUT**

Drawing Title:

Scale: 1/100
Drawing No.: DSPC.E-009





Project:
Tourism Sector Development Project
in the Hashemite Kingdom of Jordan

Executing Agency:
The Ministry of Tourism and Antiquities
The Ministry of Planning

SUB-PROJECT:
Dead Sea Panoramic Complex

Note:
This detailed design has been executed by
a team of consultants as shown below in
accordance with the agreement between
Japan International Cooperation Agency
(JICA) and JICA Study Team.
The copyright of this drawing rests with JICA.

NOTES :-
— 4 No. 50mm PVC CONDUIT UNDER GROUND

KEY PLAN

Designed by:
Japan International Cooperation
Agency (JICA)

JICA Study Team:
Joint Venture of
Pacific Consultants International and
Yamasita Sekkel Inc.

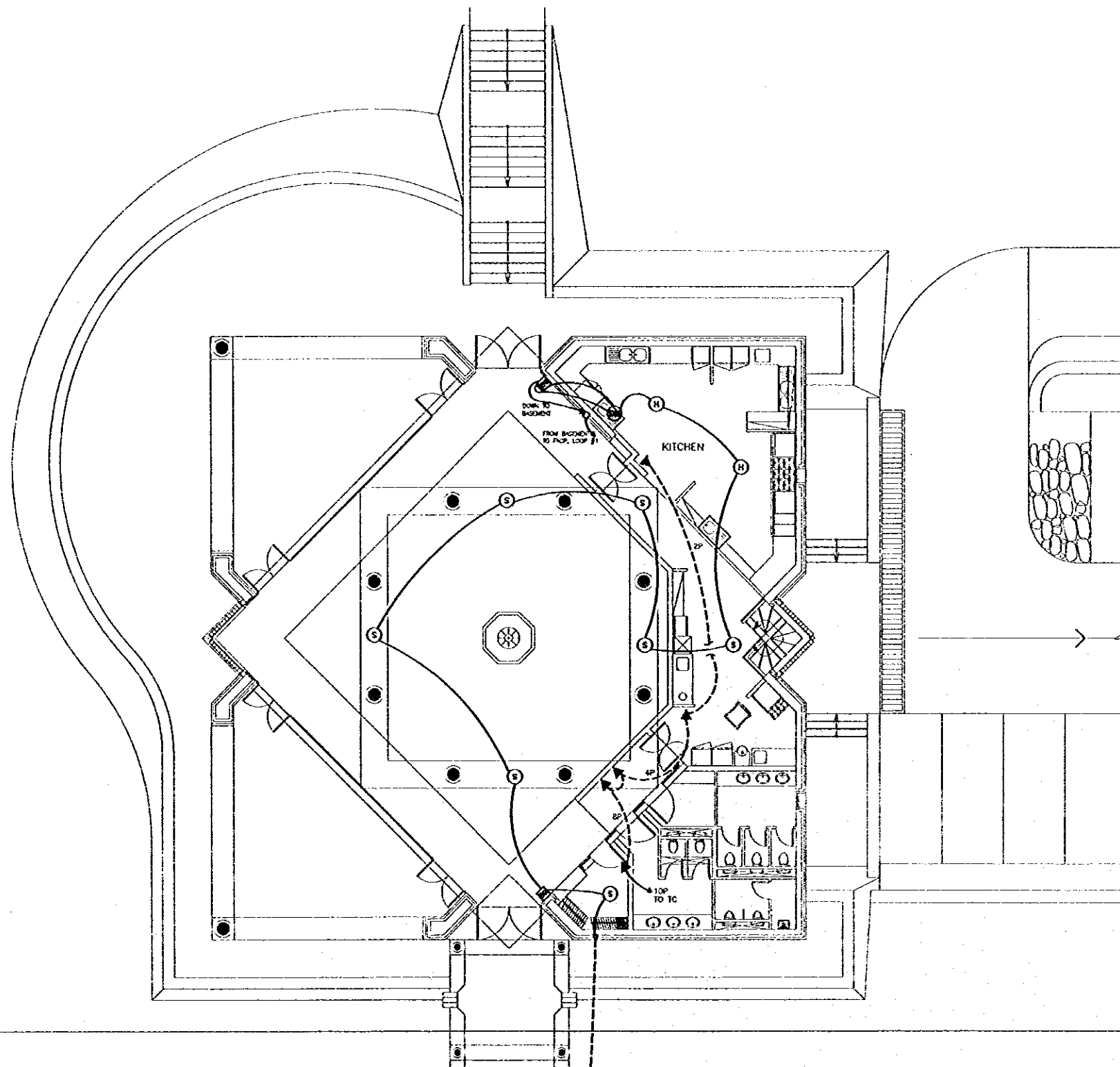
Subcontracted Local Consultant:
consolidated consultants
ENGINEERING & ARCHITECTURE
TEL: 9612377 - FAX: 9612383 - AMMAN - JORDAN

Date: June 2000

**RAMP / GROUND FLOOR
FIRE ALARM & TELEPHONE LAYOUT**

Drawing Title:

Scale: 1/100 **Drawing No.:** DSPCE-010



Project:
 Tourism Sector Development Project
 in the Hashemite Kingdom of Jordan

Executing Agency:
 The Ministry of Tourism and Antiquities
 The Ministry of Planning

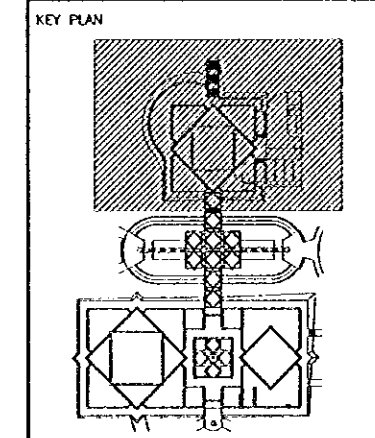
SUB-PROJECT:
 Dead Sea Panoramic Complex

Note:
 This detailed design has been executed by
 a team of consultants as shown below in
 accordance with the agreement between
 Japan International Cooperation Agency
 (JICA) and JICA Study Team.
 The copyright of this drawing rests with JICA.

NOTES :-

— # 20mm PVC CONDUIT UNDER TILES

— # 20mm PVC CONDUIT EMBEDDED IN SLAB



Designed by:
 Japan International Cooperation
 Agency (JICA)

JICA Study Team:
 Joint Venture of
 Pacific Consultants International and
 Yamasita Sekkei Inc.

Subcontracted Local Consultant:

consolidated consultants
 * * * * *

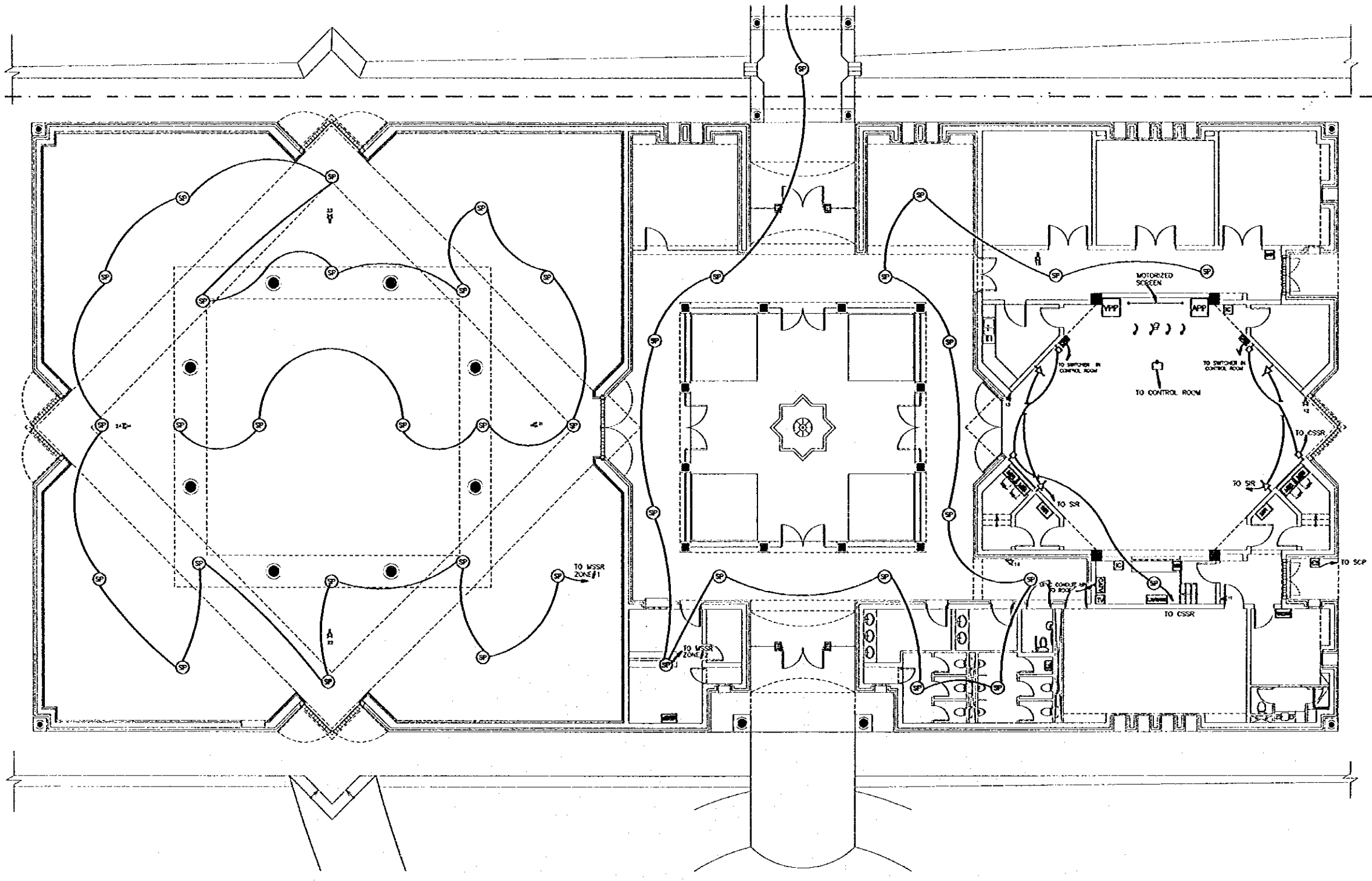
Date: June 2000

**RESTAURANT /GROUND FLOOR
 FIRE ALARM & TELEPHONE LAYOUT**

Drawing Title:

Scale: 1/100 Drawing No.: DSPC.E-011

MATCH
LINE



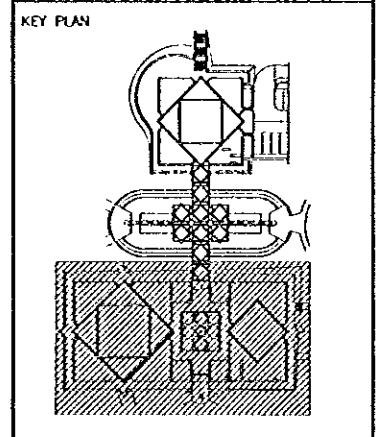
Project:
Tourism Sector Development Project
in the Hashemite Kingdom of Jordan

Executing Agency:
The Ministry of Tourism and Antiquities
The Ministry of Planning

SUB-PROJECT:
Dead Sea Panoramic Complex

Note:
This detailed design has been executed by
a team of consultants as shown below in
accordance with the agreement between
Japan International Cooperation Agency
(JICA) and JICA Study Team.
The copyright of this drawing rests with JICA.

- NOTES :-**
1. # 20mm PVC CONDUIT EMBEDDED IN SLAB
 2. SECURITY DETECTORS SHALL BE CONNECTED
TO SCP AS PER MANUFACTURER'S RECOMMENDATION



Designed by:
Japan International Cooperation
Agency (JICA)

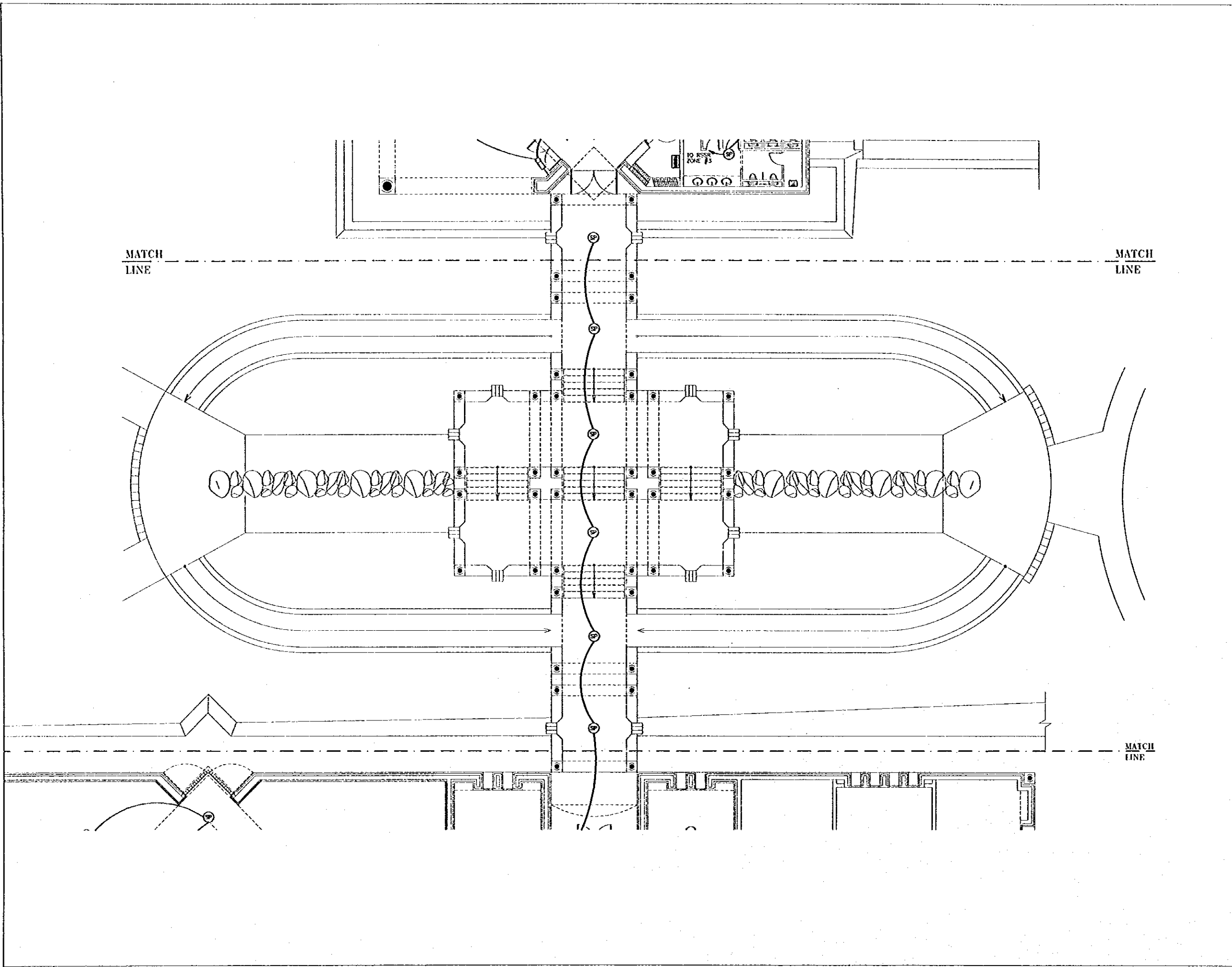
JICA Study Team:
Joint Venture of
Pacific Consultants International and
Yamasita Sekkel Inc.

Subcontracted Local Consultant:

Date: June 2000

**MUSEUM / GROUND FLOOR
PUBLIC ADDRESS, AUDIO-VISIO
PROJECTION & SECURITY SYSTEMS**
Drawing Title:

Scale: 1/100 Drawing No.: **DSPEC-012**



Project:
Tourism Sector Development Project
in the Hashemite Kingdom of Jordan

Executing Agency:
The Ministry of Tourism and Antiquities
The Ministry of Planning

SUB-PROJECT:
Dead Sea Panoramic Complex

Note:
This detailed design has been executed by
a team of consultants as shown below in
accordance with the agreement between
Japan International Cooperation Agency
(JICA) and JICA Study Team.
The copyright of this drawing rests with JICA.

NOTES :-
— # 20mm PVC CONDUIT ENCASED IN SLAB

KEY PLAN

Designed by:
Japan International Cooperation
Agency (JICA)

JICA Study Team:
Joint Venture of
Pacific Consultants International and
Yamasita Sekkel Inc.

Subcontracted Local Consultant:

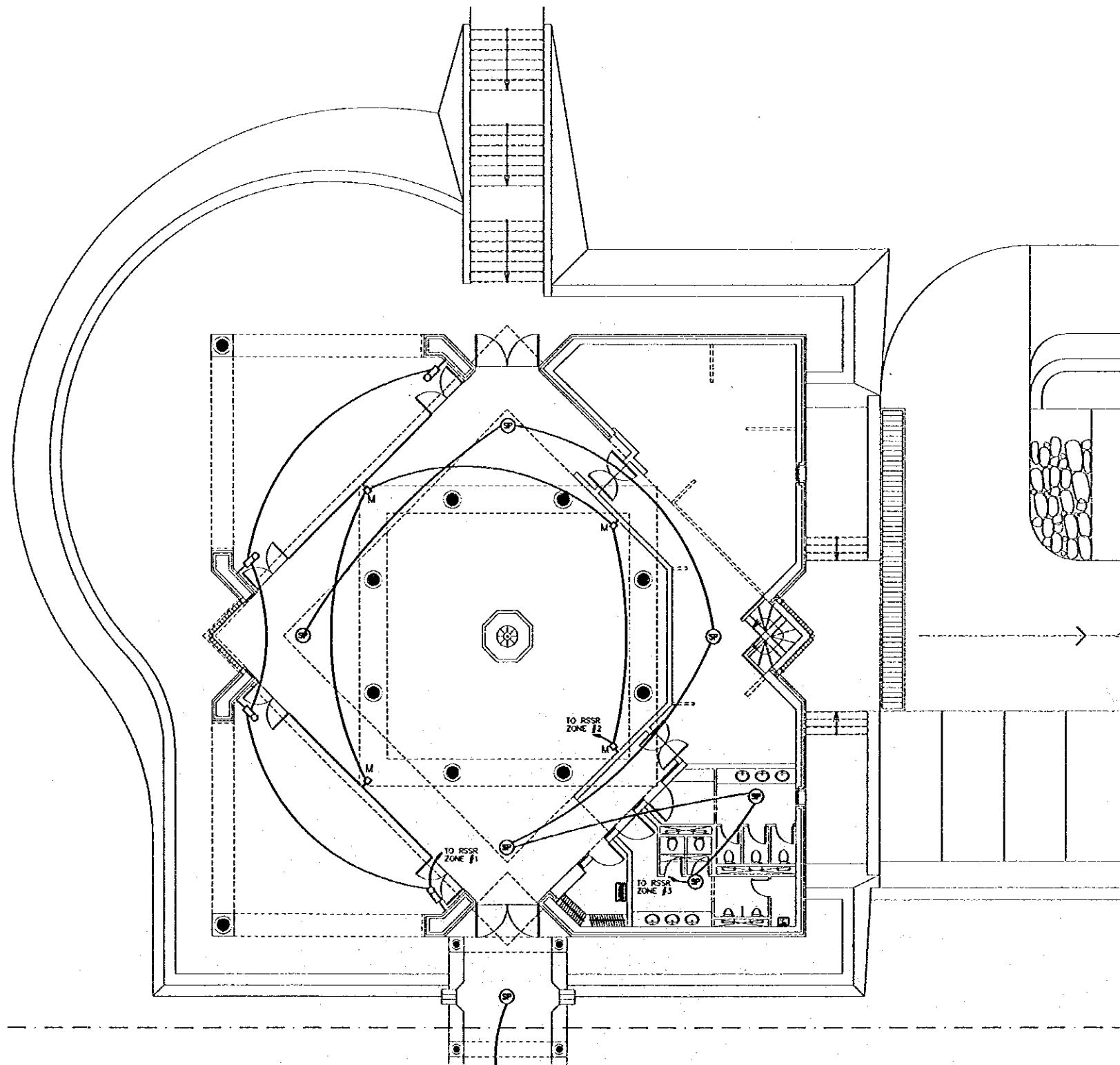
consolidated consultants
engineering & environment
Tel: 411277 - Fax: 411280 - JMW - JICA

Date:	June	2000
-------	------	------

**RAMP / GROUND FLOOR
PUBLIC ADDRESS SYSTEM**

Drawing Title:

Scale:	Drawing No.:
1/100	DSPC.E-013



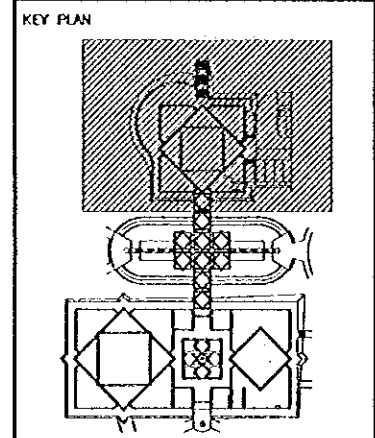
Project:
Tourism Sector Development Project
in the Hashemite Kingdom of Jordan

Executing Agency:
The Ministry of Tourism and Antiquities
The Ministry of Planning

SUB-PROJECT:
Dead Sea Panoramic Complex

Note:
This detailed design has been executed by
a team of consultants as shown below in
accordance with the agreement between
Japan International Cooperation Agency
(JICA) and JICA Study Team.
The copyright of this drawing rests with JICA.

NOTES:-
— # 20mm PVC CONDUIT ENBEDDED IN SLAB



Designed by:
Japan International Cooperation
Agency (JICA)

JICA Study Team:
Joint Venture of
Pacific Consultants International and
Yamasita Sekkel Inc.

Subcontracted Local Consultant:
consolidated consultants
* planning & environment
Tel. 4612777 - Fax 4612300 - AMMAN - JORDAN

Date: June 2000

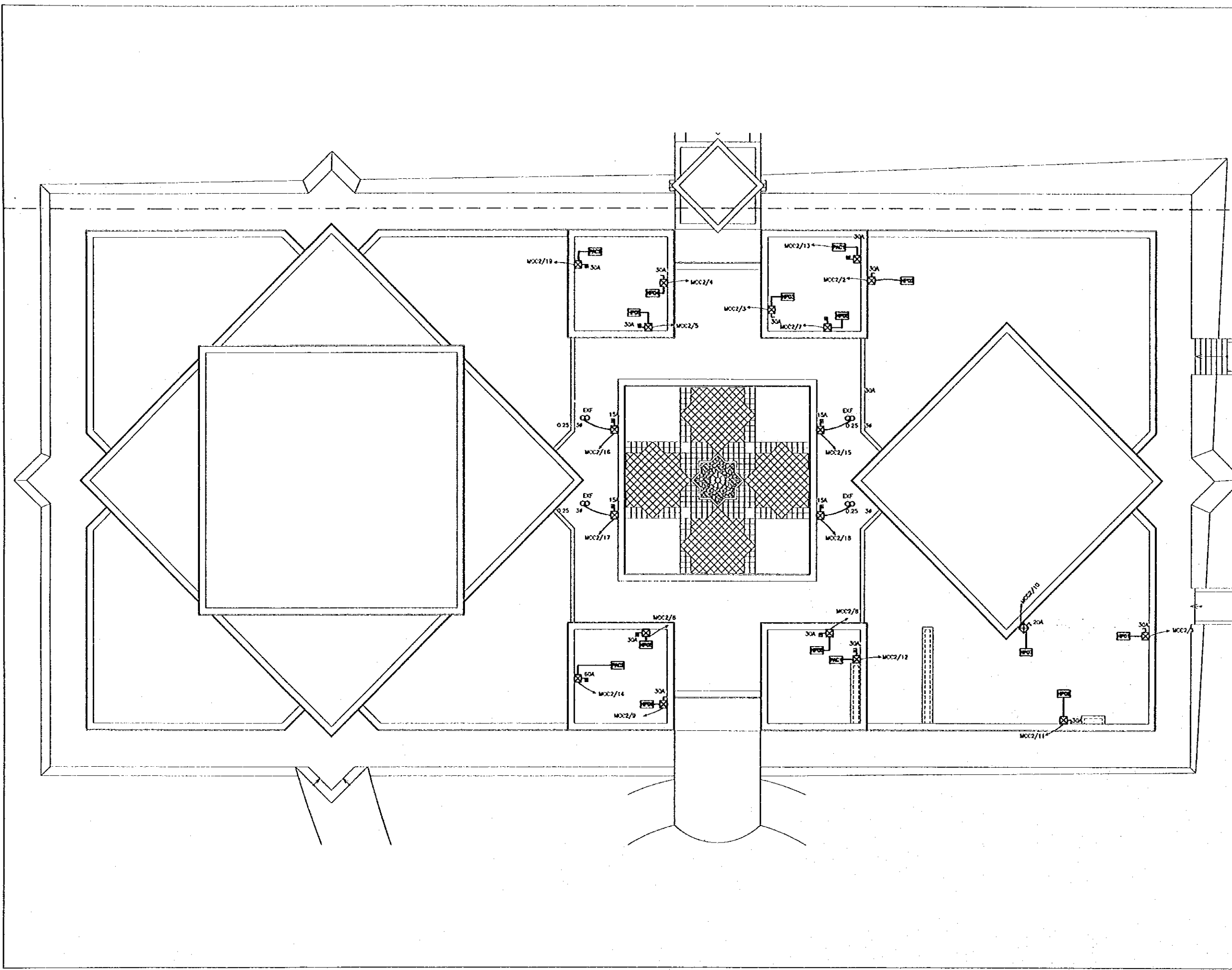
**RESTAURANT / GROUND FLOOR
PUBLIC ADDRESS SYSTEM**

Drawing Title:

Scale: 1/100
Drawing No.: DSPC.E-014

MATCH
LINE

MATCH
LINE



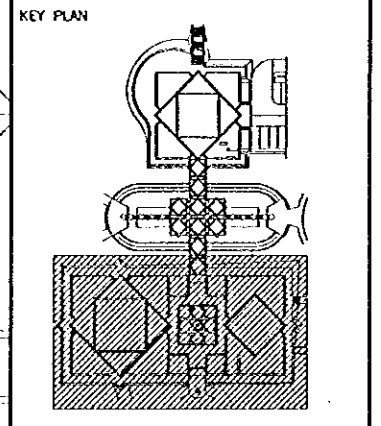
Project:
 Tourism Sector Development Project
 in the Hashemite Kingdom of Jordan

Executing Agency:
 The Ministry of Tourism and Antiquities
 The Ministry of Planning

SUB-PROJECT:
 Dead Sea Panoramic Complex

Note:
 This detailed design has been executed by
 a team of consultants as shown below in
 accordance with the agreement between
 Japan International Cooperation Agency
 (JICA) and JICA Study Team.
 The copyright of this drawing rests with JICA.

NOTES :-
 FOR EXACT LOCATION OF MECHANICAL EQUIPMENT REFER
 TO MECHANICAL DRAWINGS



Designed by:
 Japan International Cooperation
 Agency (JICA)

JICA Study Team:
 Joint Venture of
 Pacific Consultants International and
 Yamasita Sekkei Inc.

Subcontracted Local Consultant:

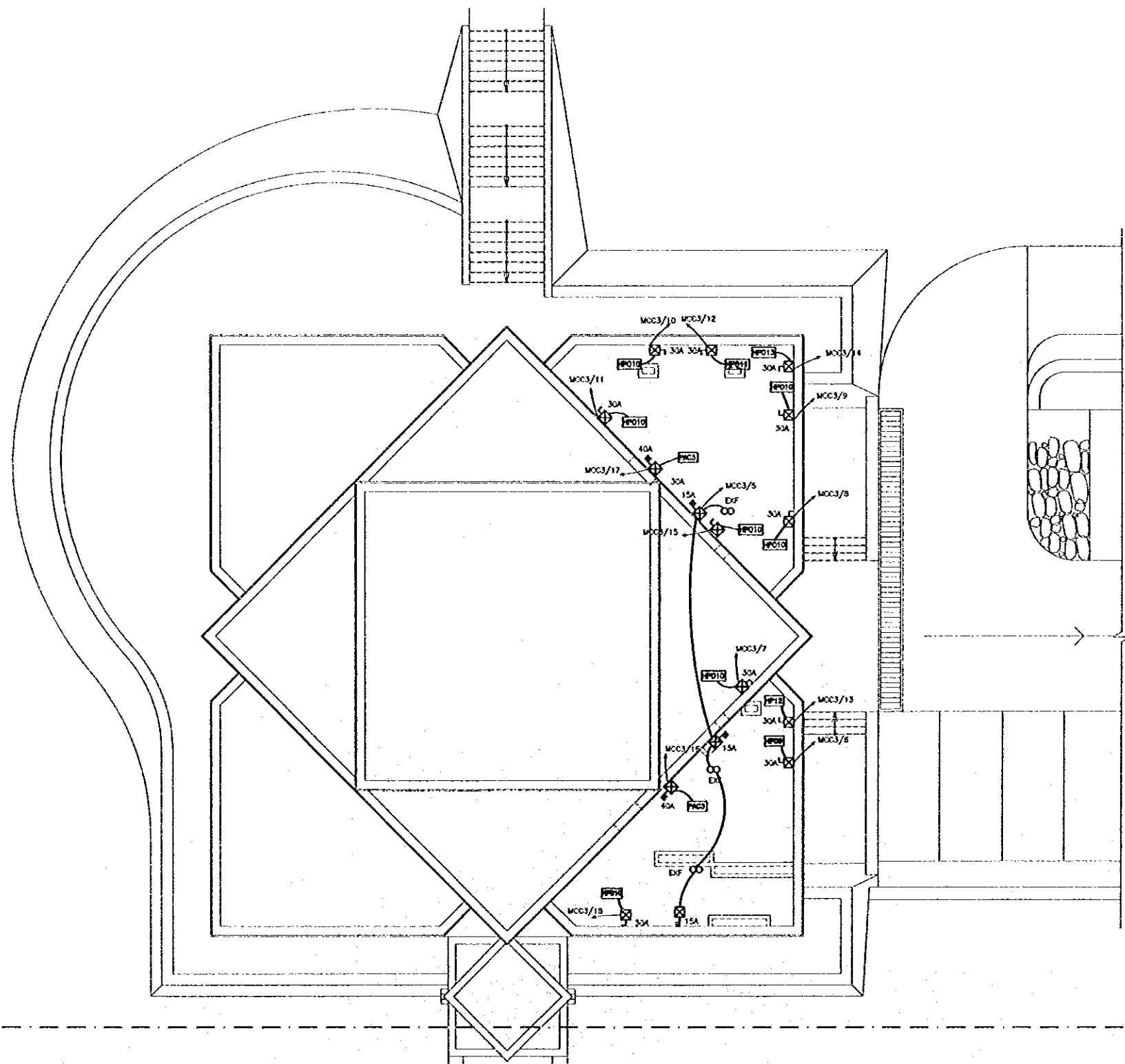
consolidated consultants
 engineering & environment
 Tel: 4612771 - Fax: 4612380 - AMMAN - JORDAN

Date: June 2000

**ROOF FLOOR PLAN / MUSEUM
 POWER LAYOUT**

Drawing Title:

Scale: 1/100 Drawing No.: DSPC-E-015



Project:
Tourism Sector Development Project
in the Hashemite Kingdom of Jordan

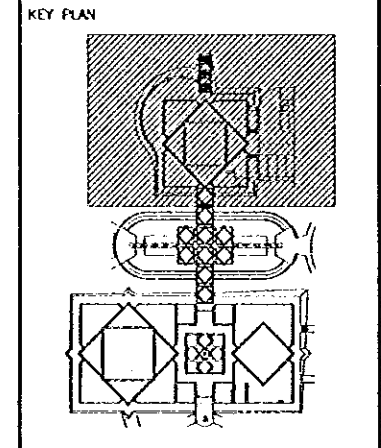
Executing Agency:
The Ministry of Tourism and Antiquities
The Ministry of Planning

SUB-PROJECT:
Dead Sea Panoramic Complex

Note:
This detailed design has been executed by
a team of consultants as shown below in
accordance with the agreement between
Japan International Cooperation Agency
(JICA) and JICA Study Team.
The copyright of this drawing rests with JICA.

NOTES :-

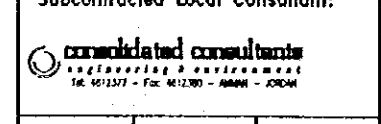
FOR EXACT LOCATION OF MECHANICAL EQUIPMENT REFER
TO MECHANICAL DRAWINGS



Designed by:
Japan International Cooperation
Agency (JICA)

JICA Study Team:
Joint Venture of
Pacific Consultants International and
Yamasita Sekkel Inc.

Subcontracted Local Consultant:

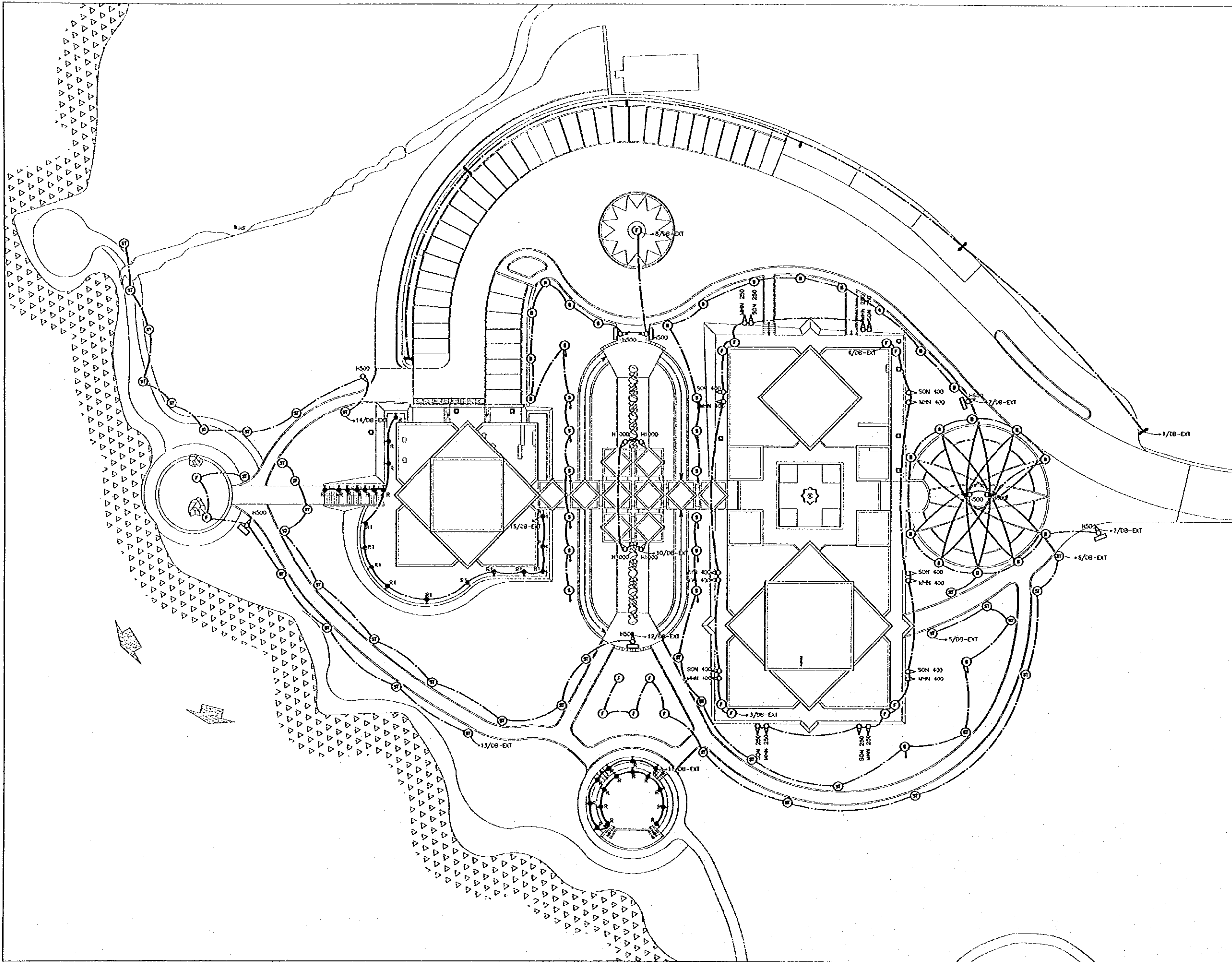


Date: June 2000

**ROOF FLOOR PLAN / RESTAURANT
POWER LAYOUT**

Drawing Title:

Scale: 1/100 Drawing No.: DSPC.E-016



Project:
Tourism Sector Development Project
in the Hashemite Kingdom of Jordan

Executing Agency:
The Ministry of Tourism and Antiquities
The Ministry of Planning

SUB-PROJECT:
Dead Sea Panoramic Complex

Note:
This detailed design has been executed by
a team of consultants as shown below in
accordance with the agreement between
Japan International Cooperation Agency
(JICA) and JICA Study Team.
The copyright of this drawing rests with JICA.

NOTES :-

----- UNDER GROUND DIRECT BURIED CABLE



Designed by:
Japan International Cooperation
Agency (JICA)

JICA Study Team:
Joint Venture of
Pacific Consultants International and
Yamasita Sekkel Inc.

Subcontracted Local Consultant:

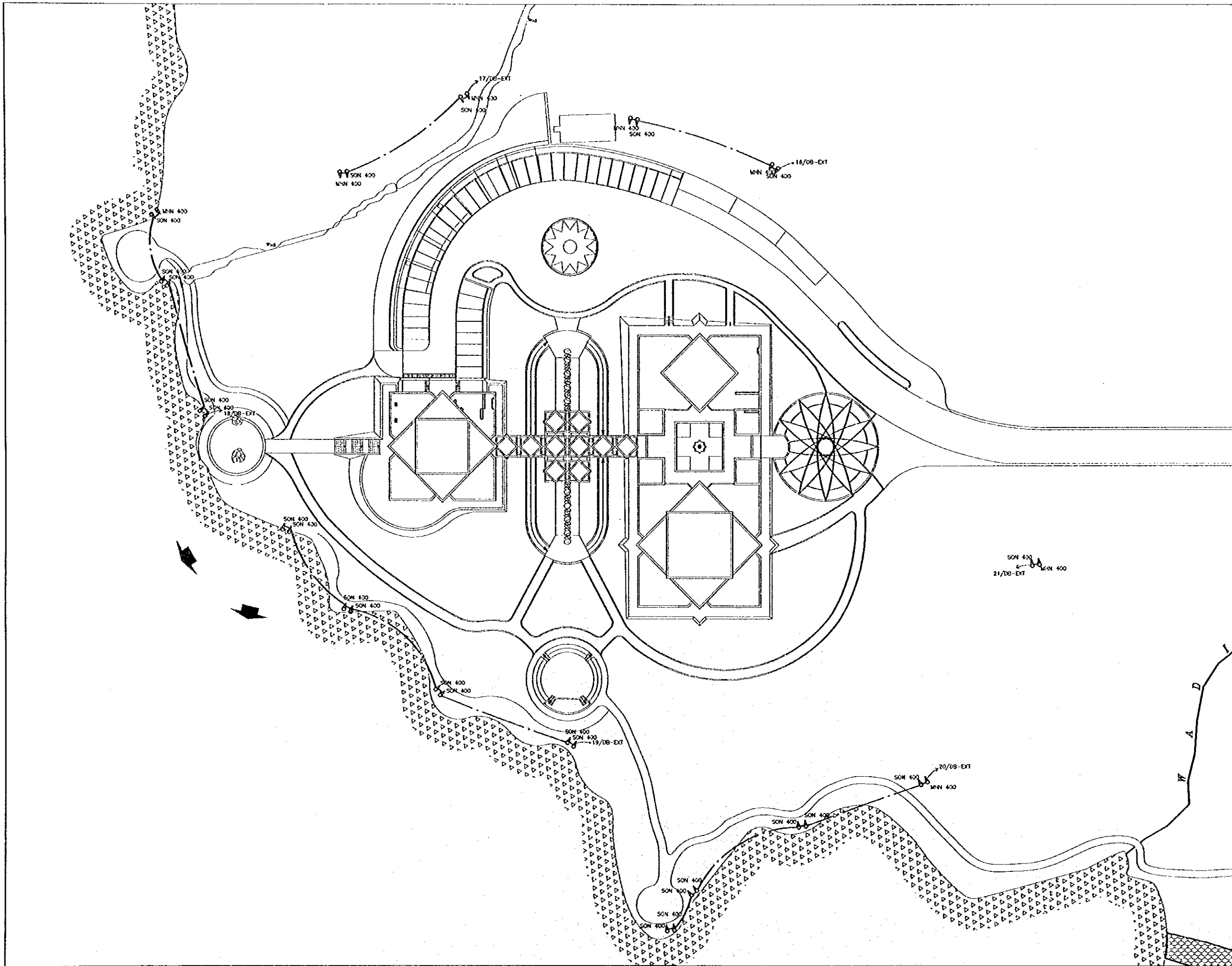




Date: June 2000

**SITE PLAN
LIGHTING LAYOUT**

Drawing Title:

Scale: 1/300 **Drawing No.:** DSPC-E-017



Project: Tourism Sector Development Project in the Hashemite Kingdom of Jordan	
Executing Agency: The Ministry of Tourism and Antiquities The Ministry of Planning	
SUB-PROJECT: Dead Sea Panoramic Complex	
Note: This detailed design has been executed by a team of consultants as shown below in accordance with the agreement between Japan International Cooperation Agency (JICA) and JICA Study Team. The copyright of this drawing rests with JICA.	
NOTES :- ----- UNDER GROUND DIRECT BURIED CABLE	
	
Designed by: Japan International Cooperation Agency (JICA)	
JICA Study Team: Joint Venture of Pacific Consultants International and Yamashita Sekkel Inc.	
Subcontracted Local Consultant:  consolidated consultants Engineering & Environment TEL 961257 - FAX 961280 - JORDAN - AMMAN	
Date:	June 2000
SITE PLAN LIGHTING LAYOUT	
Drawing Title:	
Scale:	Drawing No.: DSPC.E-018
1/400	

Project:
Tourism Sector Development Project
in the Hashemite Kingdom of Jordan

Executing Agency:
The Ministry of Tourism and Antiquities
The Ministry of Planning

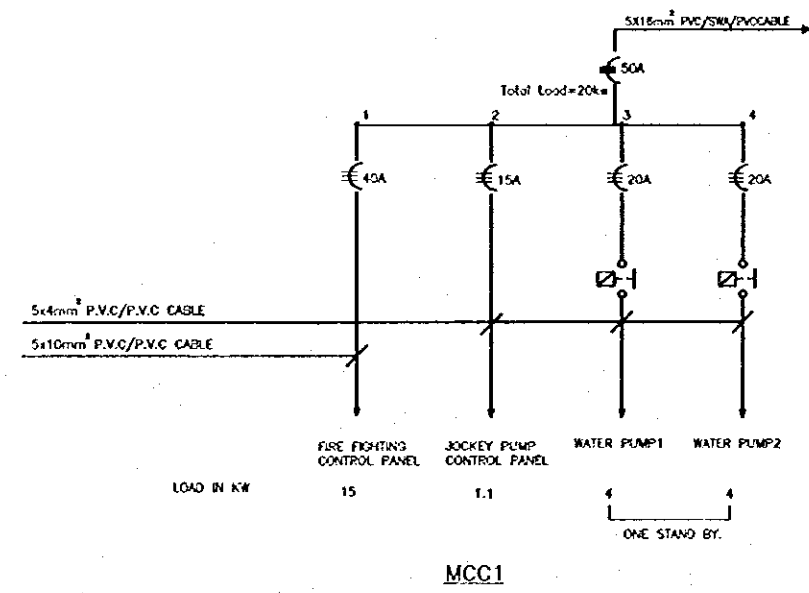
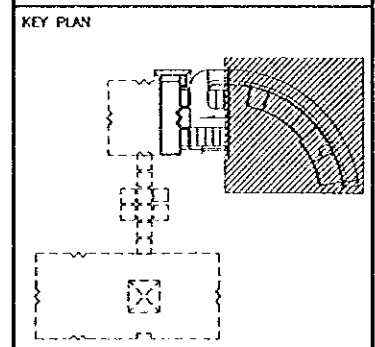
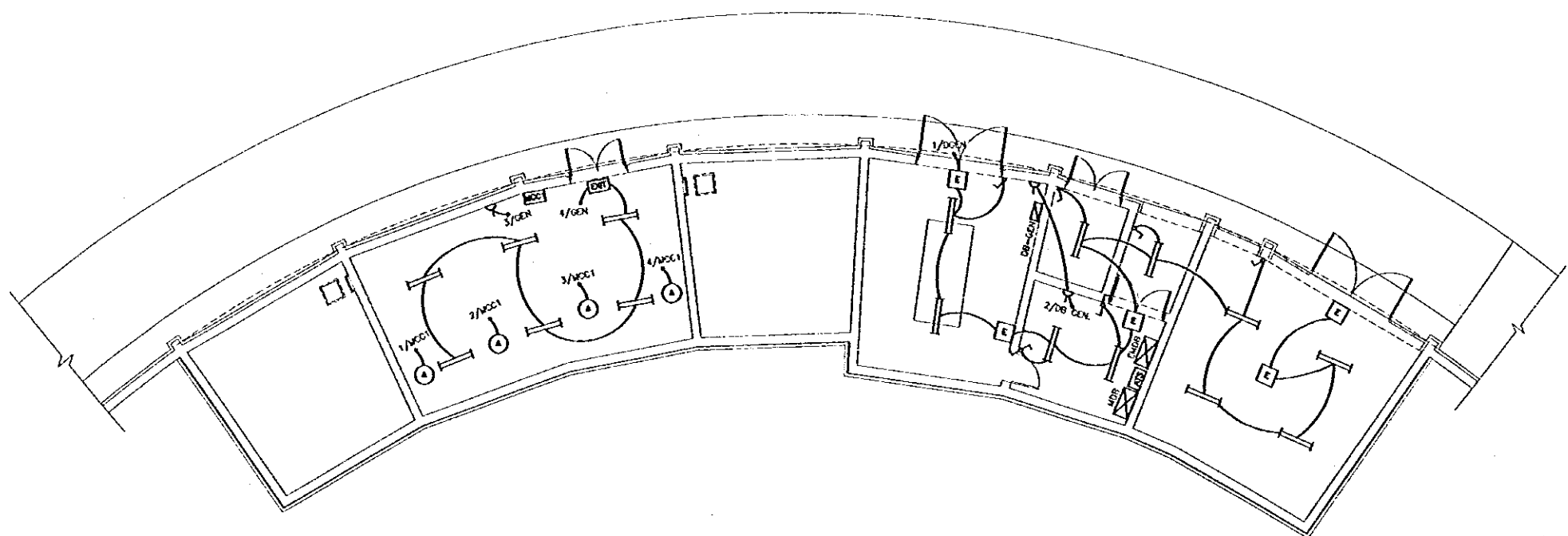
SUB-PROJECT:
Dead Sea Panoramic Complex

Note:
This detailed design has been executed by a team of consultants as shown below in accordance with the agreement between Japan International Cooperation Agency (JICA) and JICA Study Team.
The copyright of this drawing rests with JICA.

NOTES :-

— # 20mm PVC CONDUIT EMBEDDED IN CEILING SLAB

- - - # 20mm PVC CONDUIT UNDER FLEES



Designed by:
Japan International Cooperation Agency (JICA)

JICA Study Team:
Joint Venture of Pacific Consultants International and Yamashita Sekkei Inc.

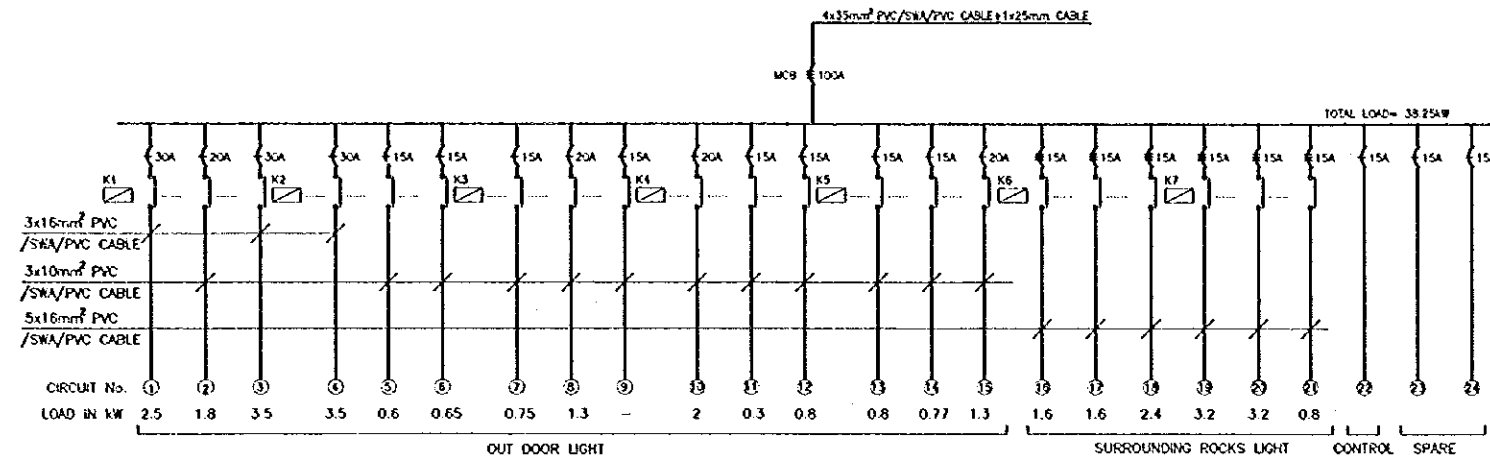
Subcontracted Local Consultant:
consolidated consultants
Engineering & Environment
TEL 601257 - Fax 601260 - Jeddah - KSA

Date: June 2000

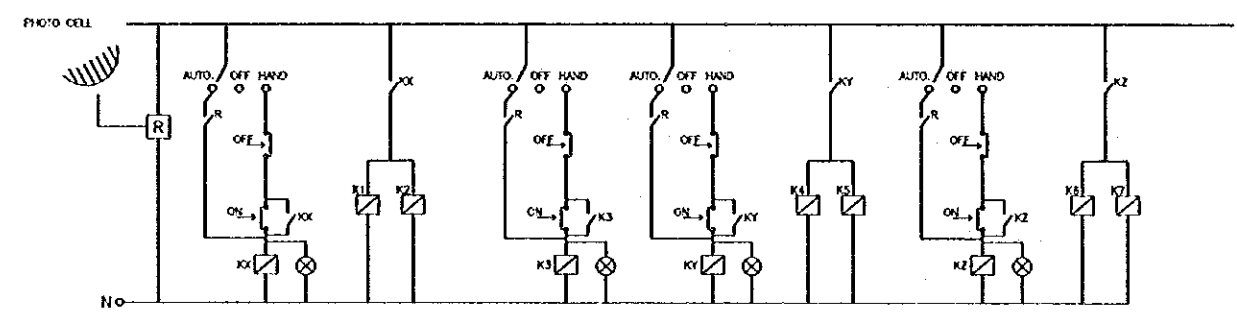
WATER TANK, GENERATOR & PUMPING ROOM PLAN ELECTRICAL WORKS

Drawing Title:

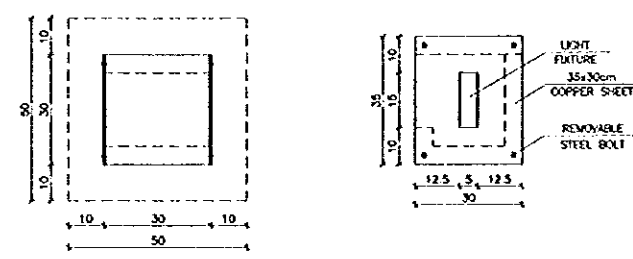
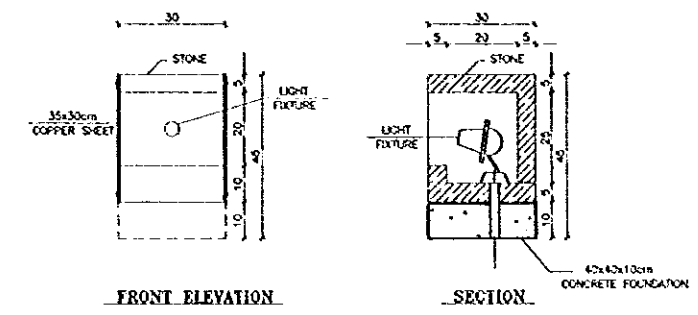
Scale: 1/100 Drawing No.: DSPC.E-019



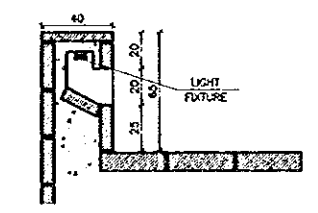
DB-EXT



CONTROL DIAGRAM FOR DB - EXT.



SIDE ELEVATION



DETAIL (2)

DISTRIBUTION PANEL BOARD									
BUILDING : Panoramic Complex					LOCATION : Control room		PANEL REF. : DBA		
VOLTAGE & FREQ. : 3PHASE, 400/230V, 50Hz					CABLE ENTRY : TOP & BOTTOM				
DESIGNATION OF LOAD	WIRE SIZE	PHASE LOAD IN WATTS	TRIP RATING	PHASE LOAD IN WATTS	WIRE SIZE	DESIGNATION OF LOAD	WIRE SIZE	PHASE LOAD IN WATTS	DESIGNATION OF LOAD
Socket outlet	2.5	1000	15	15	20	4	1500	15	Water heater
Socket outlet	2.5	1000	15	20	2	4	1500	15	Hand dryer
Hand dryer	4	1500	20	15	15	2.5	950	2.5	Socket outlet
Socket outlet	2.5	600	15	15	10000	2.5	10000	2.5	Socket outlet
Socket outlet	2.5	1000	15	15	1500	2.5	1500	2.5	Socket outlet
Socket outlet	2.5	1000	15	15	1500	2.5	1500	2.5	Socket outlet
Socket outlet	2.5	1000	15	15	1500	2.5	1500	2.5	Socket outlet
Water heater	4	2000	20	15	200	2.5	200	2.5	Socket outlet
Water heater	4	2000	20	15	15	2.5	15	2.5	Spare
Water heater	4	2000	20	15	15	2.5	15	2.5	Socket outlet
TOTAL CONNECTED WATTS									
5000 6000 5500 30 A MCB									
TOTAL CONNECTED LOAD : 17.25 kW									
TOTAL DEMAND LOAD : 10.8 kW									
20% FUTURE LOAD : 2.2 kW									
PANEL DEMAND LOAD : 13 kW									
TOTAL									
LIGHTING 8.95 MISC. 9 TOTAL 13.85									

DISTRIBUTION PANEL BOARD									
BUILDING : Panoramic Complex					LOCATION : Decked room		PANEL REF. : DBM		
VOLTAGE & FREQ. : 3PHASE, 400/230V, 50Hz					CABLE ENTRY : TOP & BOTTOM				
DESIGNATION OF LOAD	WIRE SIZE	PHASE LOAD IN WATTS	TRIP RATING	PHASE LOAD IN WATTS	WIRE SIZE	DESIGNATION OF LOAD	WIRE SIZE	PHASE LOAD IN WATTS	DESIGNATION OF LOAD
Socket outlet	2.5	600	15	15	600	2.5	600	2.5	Socket outlet
Socket outlet	2.5	1200	15	15	200	2.5	200	2.5	Socket outlet
Socket outlet	2.5	1250	15	15	400	2.5	400	2.5	Socket outlet
Socket outlet	2.5	600	15	15	1000	2.5	1000	2.5	Socket outlet
Socket outlet	2.5	1000	15	15	1000	2.5	1000	2.5	Socket outlet
Socket outlet	2.5	1000	15	15	1000	2.5	1000	2.5	Socket outlet
TOTAL CONNECTED WATTS									
2800 2800 3400 30 A MCB									
TOTAL CONNECTED LOAD : 9 kW									
TOTAL DEMAND LOAD : 3.8 kW									
20% FUTURE LOAD : 0 kW									
PANEL DEMAND LOAD : 3.8 kW									
TOTAL									
LIGHTING 9 MISC. 0.4 TOTAL 9.4									

DISTRIBUTION PANEL BOARD									
BUILDING : Restaurant					LOCATION : Ground floor		PANEL REF. : DB-KIT		
VOLTAGE & FREQ. : 3PHASE, 400/230V, 50Hz					CABLE ENTRY : TOP & BOTTOM				
DESIGNATION OF LOAD	WIRE SIZE	PHASE LOAD IN WATTS	TRIP RATING	PHASE LOAD IN WATTS	WIRE SIZE	DESIGNATION OF LOAD	WIRE SIZE	PHASE LOAD IN WATTS	DESIGNATION OF LOAD
Hand dryer	4	1500	20	15	1500	2.5	1500	2.5	Socket outlet
Hand dryer	4	1500	20	15	1000	4	1000	4	Patella paste vegetable cutter/separator
Refrigerated counter refrigerator freezer	4	1500	20	15	1000	4	1000	4	Mincing machine
Convection oven	6	4000	30	30	4000	6	4000	6	Dish washer
Convection oven	6	4000	30	30	4000	6	4000	6	Convection oven
Convection oven	6	4000	30	30	1100	4	1100	4	Freezer/Refrigerator
Convection oven	6	4000	30	30	1100	4	1100	4	Mixer
Water heater	4	200	20	20	750	4	750	4	Socket outlet
Spare	6	4000	30	30	20	4	20	4	Socket outlet
Spare	6	4000	30	30	20	4	20	4	Spare
TOTAL CONNECTED WATTS									
17200 16800 15100 100A MCB									
TOTAL CONNECTED LOAD : 45.5 kW									
TOTAL DEMAND LOAD : 35.8 kW									
20% FUTURE LOAD : 7.8 kW									
PANEL DEMAND LOAD : 45.5 kW									
TOTAL									
LIGHTING 35.8 MISC. 0.8 TOTAL 36.6									

Project:
Tourism Sector Development Project
in the Hashemite Kingdom of Jordan

Executing Agency:
The Ministry of Tourism and Antiquities
The Ministry of Planning

SUB-PROJECT:
Dead Sea Panoramic Complex

Note:
This detailed design has been executed by a team of consultants as shown below in accordance with the agreement between Japan International Cooperation Agency (JICA) and JICA Study Team. The copyright of this drawing rests with JICA.

Designed by:
Japan International Cooperation Agency (JICA)

JICA Study Team:
Joint Venture of Pacific Consultants International and Yamashita Sekkei Inc.

Subcontracted Local Consultant:
consolidated consultants
REGISTRATION & EQUIPMENT
TEL: 4612377 - Fax: 4612390 - AMMAN - JORDAN

Date: June 2000

EXTERNAL LIGHTING PANEL DETAILS & DETAILS FOR LOCATION OF LIGHTING FIXTURE (ST) & (RI)
Drawing Title:

Scale: AS SHOWN
Drawing No.: DSPC.I-000

Project:
 Tourism Sector Development Project
 in the Hashemite Kingdom of Jordan

Executing Agency:
 The Ministry of Tourism and Antiquities
 The Ministry of Planning

SUB-PROJECT:
 Dead Sea Panoramic Complex

Note:
 This detailed design has been executed by
 a team of consultants as shown below in
 accordance with the agreement between
 Japan International Cooperation Agency
 (JICA) and JICA Study Team.
 The copyright of this drawing rests with JICA.

Designed by:
 Japan International Cooperation
 Agency (JICA)

JICA Study Team:
 Joint Venture of
 Pacific Consultants International and
 Yomastu Sekkel Inc.

Subcontracted Local Consultant:

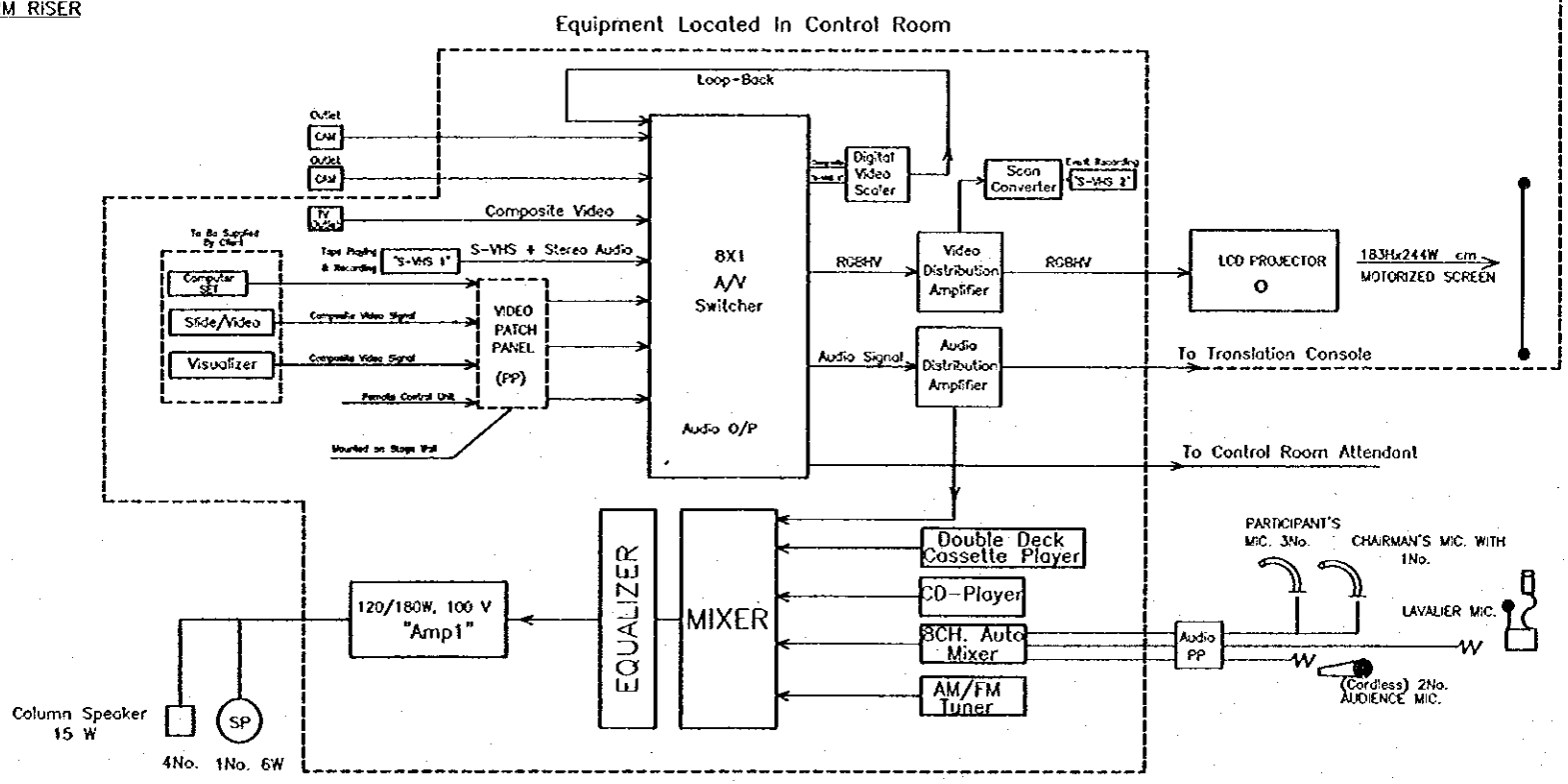
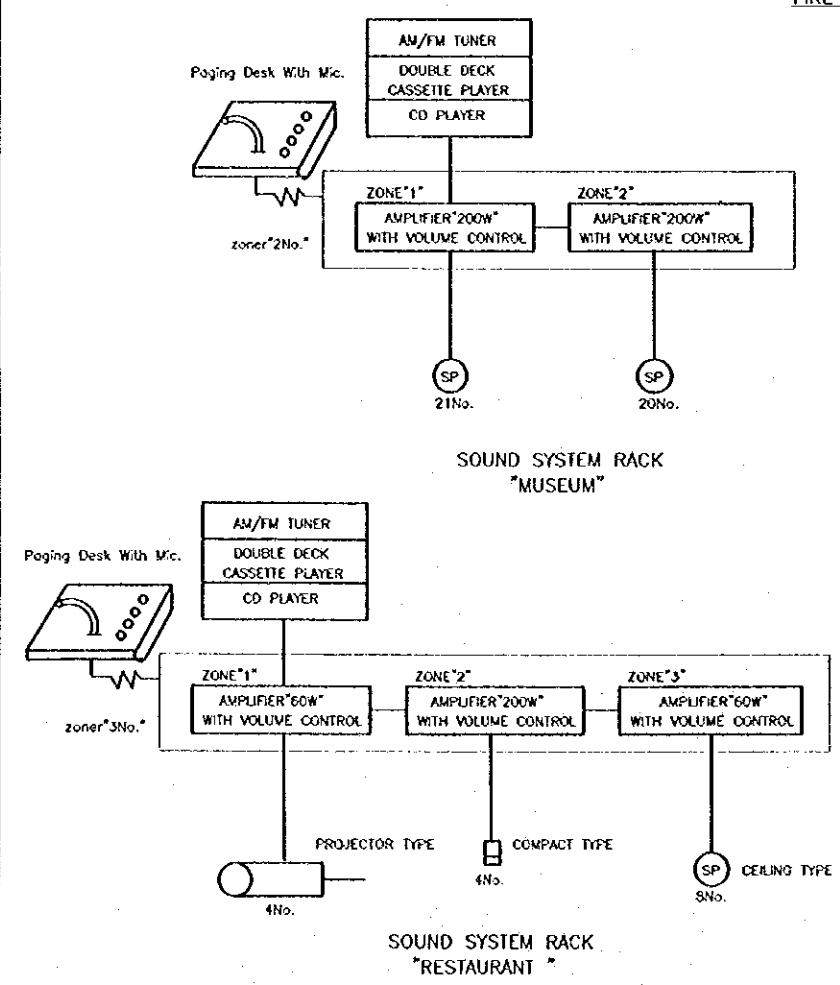
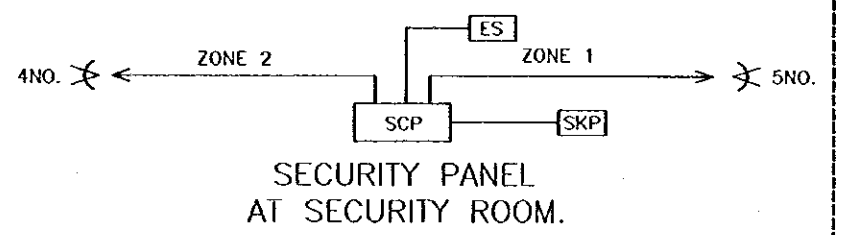
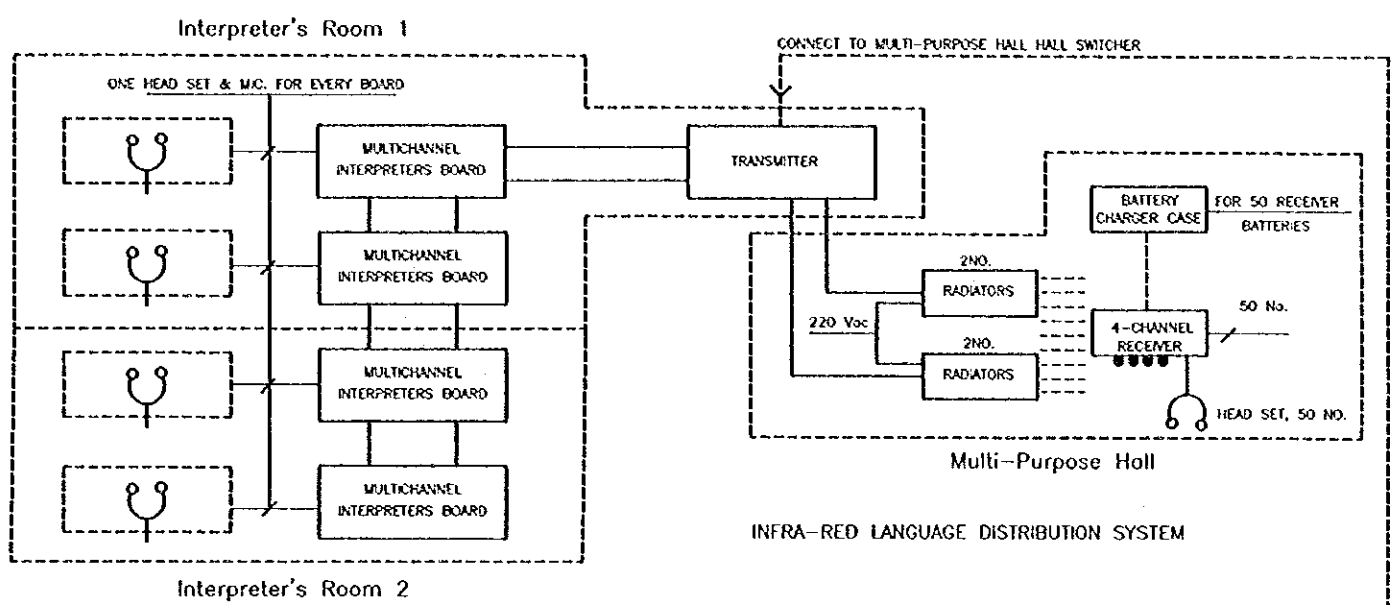
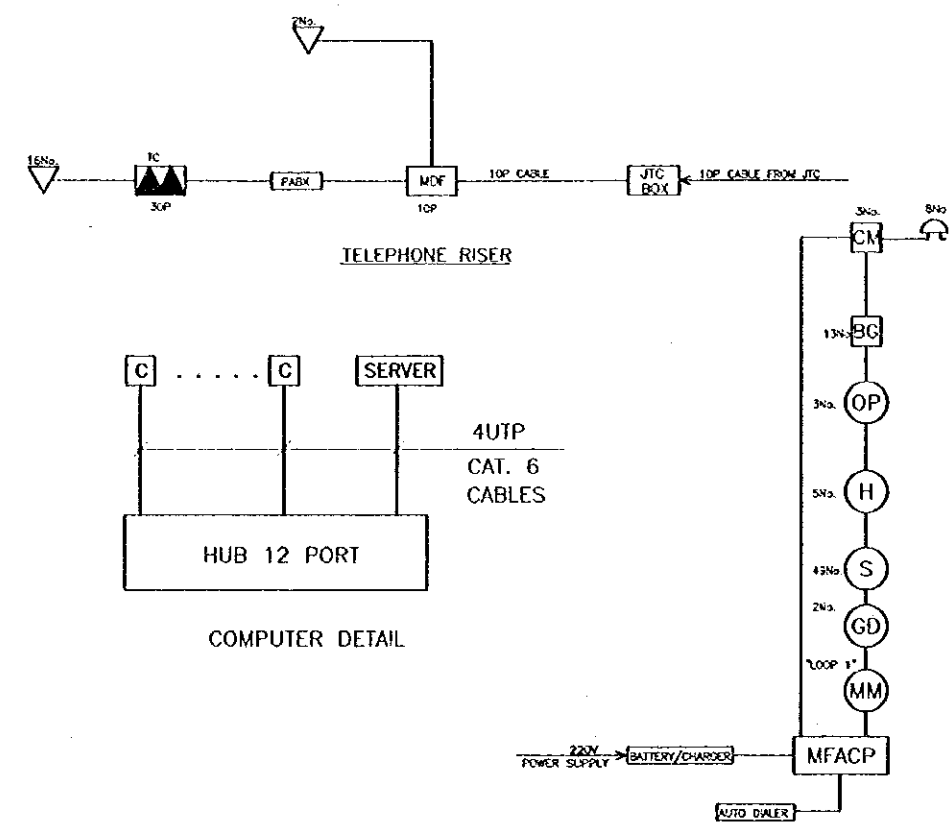
 consolidated consultants
 Engineering & Environmental
 Tel: 9512377 - Fax: 9512380 - AMMAN - JORDAN

Date: June 2000

RISERS AND DETAILS

Drawing Title:

Scale: N.T.S. Drawing No.: DSPC.E-021



MULTI-PURPOSE HALL
 SIMULTANEOUS INTERPRETATION,
 VIDEO & AUDIO RISER DIAGRAM

DISTRIBUTION PANEL BOARD
 BUILDING - PANORAMIC COMPLEX, LOCATION - BASEMENT, PANEL REF. : DB-BASE
 VOLTAGE & FREQ. : 3PHASE, 400/230V, 50Hz

DESIGNATION OF LOAD	WIRE SIZE	PHASE LOAD IN WATS	TRIP RATING	PHASE LOAD IN WATS	WIRE SIZE	DESIGNATION OF LOAD
HAND DRYER	4	1500	15	1500	4	SOCKET OUTLET
SOCKET OUTLET	2.5	400	15	400	2.5	SOCKET OUTLET
SOCKET OUTLET	2.5	600	15	600	2.5	LIGHTING
SPARE						SPARE
LIGHTING	2.5	1100	10	1100	2.5	LIGHTING
SPARE						LIGHTING

TOTAL CONNECTED WATS: 2100, 1900, 1200

CONNECTION	LOAD	CONNL. kw	DEMAND kw	20% FUTURE LOAD kw	PANEL LOAD kw
CONNL.	2.5	2	1.5		
DEMAND	0.9	0.9	0.4	0.6	
TOTAL	2.52	0.8	1.2	4.52	

DISTRIBUTION PANEL BOARD
 BUILDING - PANORAMIC COMPLEX, LOCATION - CONFERENCE HALL, PANEL REF. : DBLA
 VOLTAGE & FREQ. : 3PHASE, 400/230V, 50Hz

DESIGNATION OF LOAD	WIRE SIZE	PHASE LOAD IN WATS	TRIP RATING	PHASE LOAD IN WATS	WIRE SIZE	DESIGNATION OF LOAD
LIGHTING	2.5	900	10	900	2.5	LIGHTING
LIGHTING	2.5	1100	10	1100	2.5	LIGHTING
LIGHTING	2.5	800	10	800	2.5	LIGHTING
LIGHTING	2.5	700	10	700	2.5	LIGHTING
LIGHTING	2.5	300	10	300	2.5	LIGHTING
LIGHTING	2.5	1100	10	1100	2.5	LIGHTING

TOTAL CONNECTED WATS: 2000, 3400, 3400

CONNECTION	LOAD	CONNL. kw	DEMAND kw	20% FUTURE LOAD kw	PANEL LOAD kw
CONNL.	9.6				
DEMAND	3.7	0.9			
TOTAL	10.3	8.6			8.6

DISTRIBUTION PANEL BOARD
 BUILDING - PANORAMIC COMPLEX, LOCATION - CONFERENCE HALL, PANEL REF. : DIMMER PANEL
 VOLTAGE & FREQ. : 3PHASE, 400/230V, 50Hz

DESIGNATION OF LOAD	WIRE SIZE	PHASE LOAD IN WATS	TRIP RATING	PHASE LOAD IN WATS	WIRE SIZE	DESIGNATION OF LOAD
LIGHTING	2.5	250	10	250	2.5	LIGHTING
LIGHTING	2.5	700	10	700	2.5	LIGHTING
LIGHTING	2.5	500	10	500	2.5	LIGHTING
LIGHTING	2.5	500	10	500	2.5	LIGHTING
LIGHTING	2.5	500	10	500	2.5	LIGHTING
SPARE						SPARE
SPARE						SPARE

TOTAL CONNECTED WATS: 2000, 1300, 1200

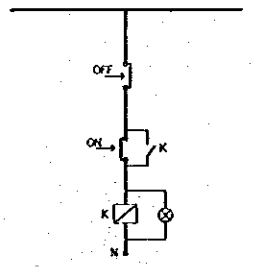
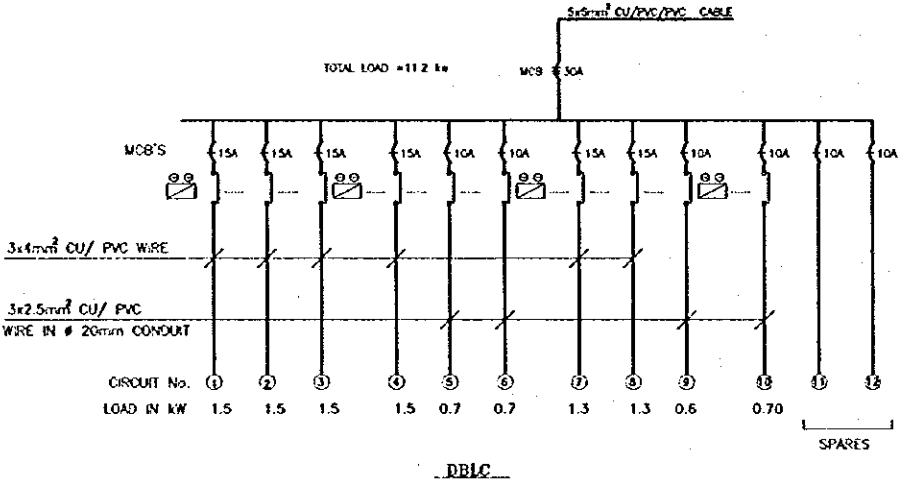
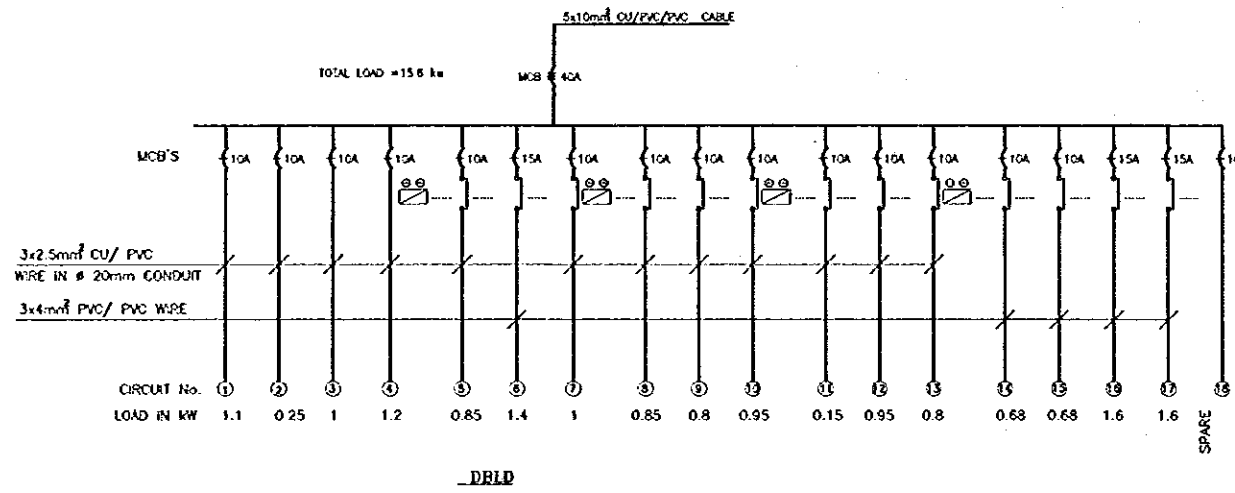
CONNECTION	LOAD	CONNL. kw	DEMAND kw	20% FUTURE LOAD kw	PANEL LOAD kw
CONNL.	5.1				
DEMAND	4.6				
TOTAL	5.5	4.6			4.6

DISTRIBUTION PANEL BOARD
 BUILDING - PANORAMIC COMPLEX, LOCATION - ELECTRICAL ROOM, PANEL REF. : DBLR
 VOLTAGE & FREQ. : 3PHASE, 400/230V, 50Hz

DESIGNATION OF LOAD	WIRE SIZE	PHASE LOAD IN WATS	TRIP RATING	PHASE LOAD IN WATS	WIRE SIZE	DESIGNATION OF LOAD
LIGHTING	2.5	800	10	800	2.5	LIGHTING
LIGHTING	2.5	1200	10	1200	2.5	LIGHTING
LIGHTING	2.5	900	10	900	2.5	LIGHTING
LIGHTING	2.5	500	10	500	2.5	LIGHTING
LIGHTING	2.5	500	10	500	2.5	LIGHTING
E-LIGHTING	2.5	400	10	400	2.5	E-LIGHTING
LIGHTING	2.5	900	10	900	2.5	LIGHTING
SPARE						SPARE
SPARE						SPARE

TOTAL CONNECTED WATS: 2000, 2800, 2900

CONNECTION	LOAD	CONNL. kw	DEMAND kw	20% FUTURE LOAD kw	PANEL LOAD kw
CONNL.	8.7				
DEMAND	7.8				
TOTAL	9.4	7.8			7.8



TYPICAL CONTROL CIRCUIT FOR DBLC, DBLD

DISTRIBUTION PANEL BOARD
 BUILDING - GENERATOR ROOM, LOCATION - GENERATOR ROOM, PANEL REF. : DB-GEN
 VOLTAGE & FREQ. : 230V, 50Hz

DESIGNATION OF LOAD	WIRE SIZE	PHASE LOAD IN WATS	TRIP RATING	PHASE LOAD IN WATS	WIRE SIZE	DESIGNATION OF LOAD
LIGHTING	2.5	800	10	800	2.5	LIGHTING
SOCKET OUTLET	2.5	400	15	400	2.5	SOCKET OUTLET
SOCKET OUTLET	2.5	200	15	200	2.5	SOCKET OUTLET
LIGHTING	2.5	600	10	600	2.5	LIGHTING
SPARE						SPARE
SPARE						SPARE

TOTAL CONNECTED WATS: 2000

CONNECTION	LOAD	CONNL. kw	DEMAND kw	20% FUTURE LOAD kw	PANEL LOAD kw
CONNL.	1.4				
DEMAND	0.6				
TOTAL	2	1.4	0.6		2

Project:
 Tourism Sector Development Project in the Hashemite Kingdom of Jordan

Executing Agency:
 The Ministry of Tourism and Antiquities
 The Ministry of Planning

SUB-PROJECT:
 Dead Sea Panoramic Complex

Note:
 This detailed design has been executed by a team of consultants as shown below in accordance with the agreement between Japan International Cooperation Agency (JICA) and JICA Study Team. The copyright of this drawing rests with JICA.

Designed by:
 Japan International Cooperation Agency (JICA)

JICA Study Team:
 Joint Venture of Pacific Consultants International and Yamashita Sekkei Inc.

Subcontracted Local Consultant:

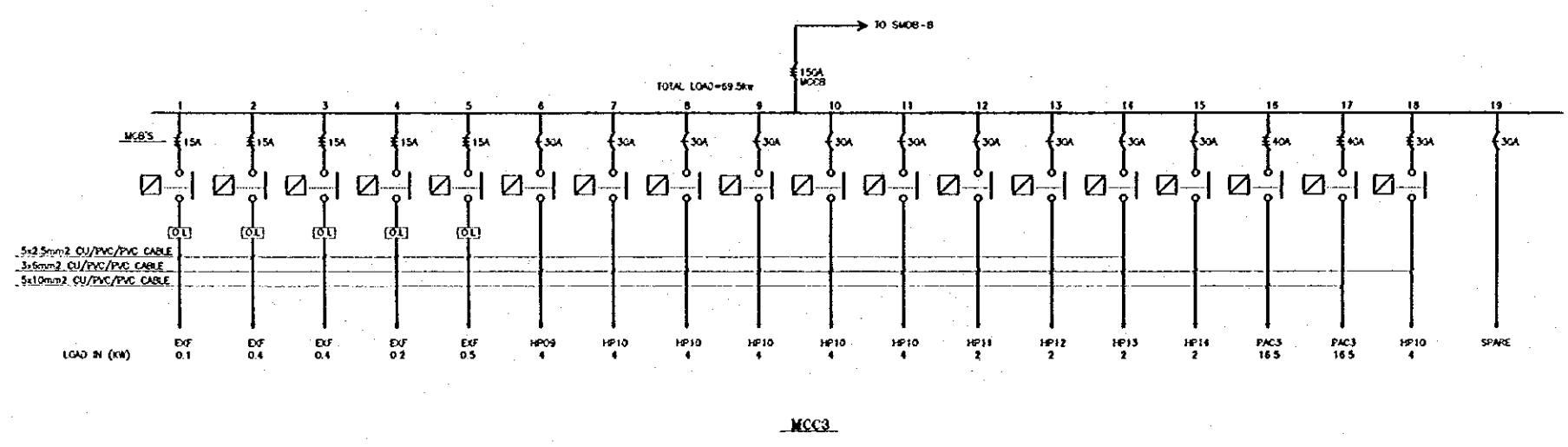
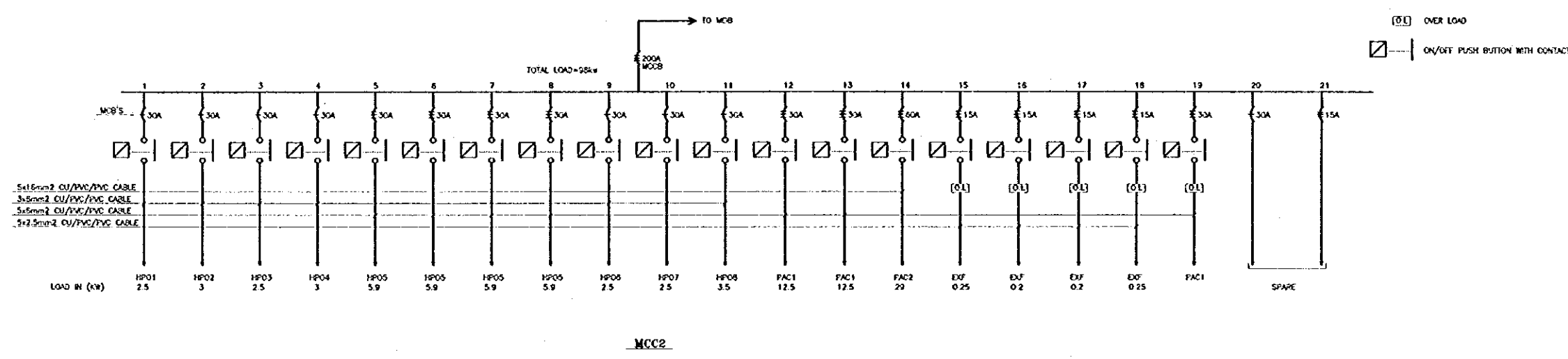
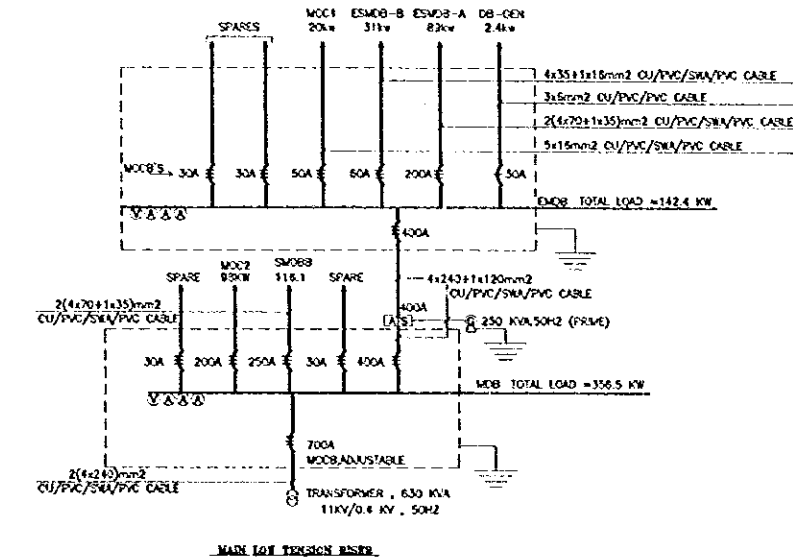
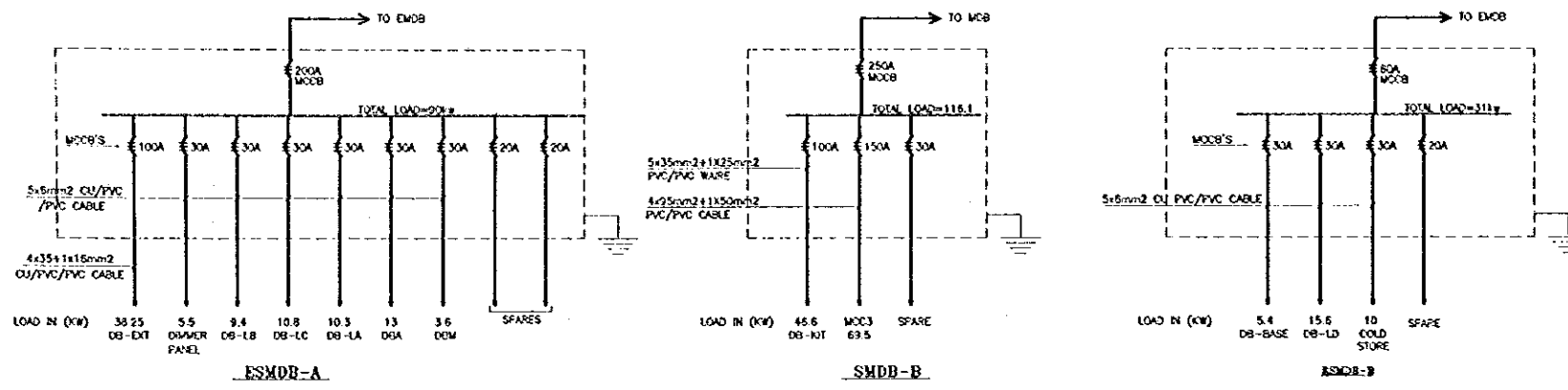
consolidated consultants
 ENGINEERING & ARCHITECTURE
 TEL: 0112377 - FAX: 0112376 - AMMAN - JORDAN

Date: June 2000

PANEL BOARDS

Drawing Title:

Scale: N.T.S. Drawing No.: DSPC-E-022



Project:
Tourism Sector Development Project
in the Hashemite Kingdom of Jordan

Executing Agency:
The Ministry of Tourism and Antiquities
The Ministry of Planning

SUB-PROJECT:
Dead Sea Panoramic Complex

Note:
This detailed design has been executed by
a team of consultants as shown below in
accordance with the agreement between
Japan International Cooperation Agency
(JICA) and JICA Study Team.
The copyright of this drawing rests with JICA.

Designed by:
Japan International Cooperation
Agency (JICA)

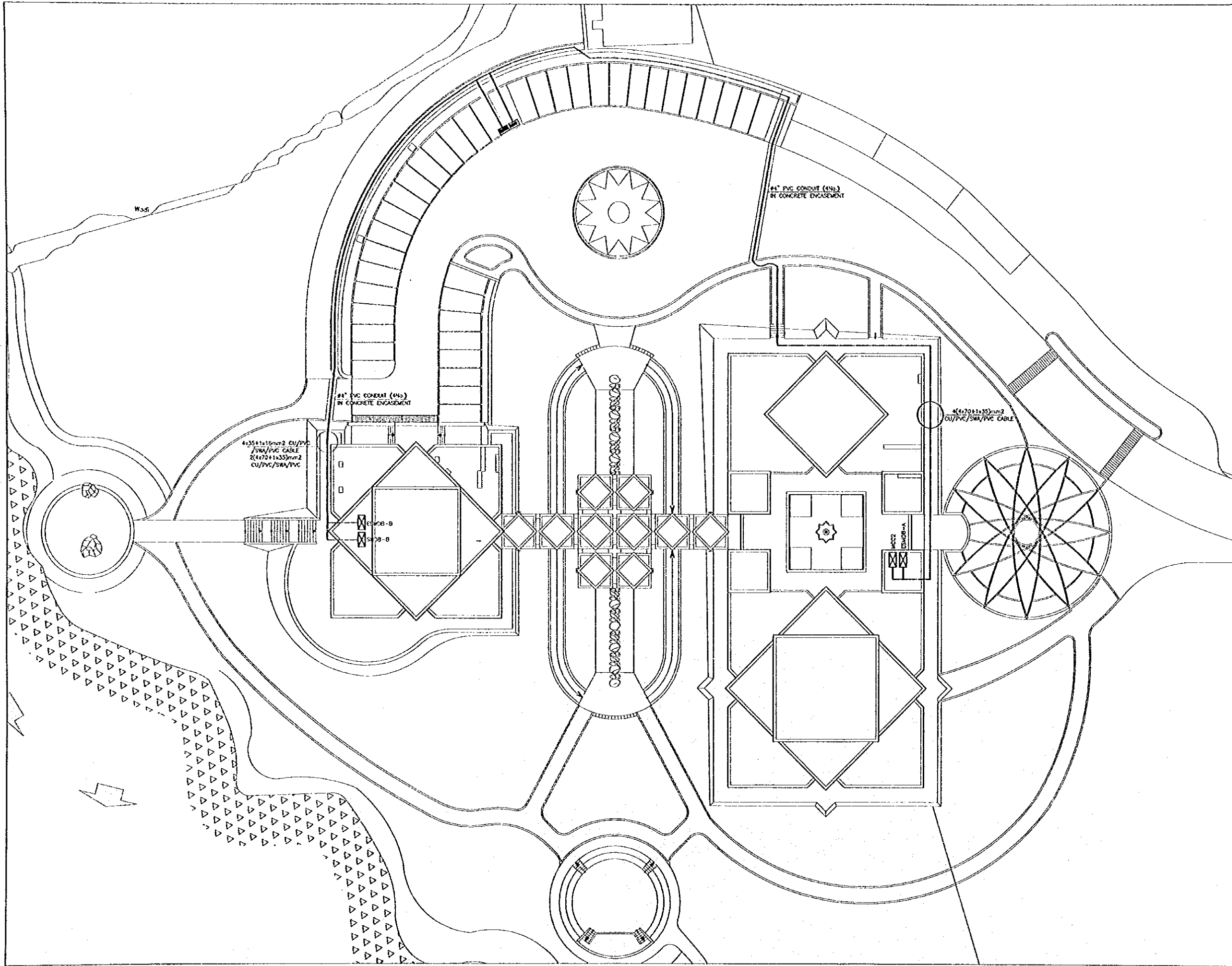
JICA Study Team:
Joint Venture of
Pacific Consultants International and
Yamashita Sekkei Inc.

Subcontracted Local Consultant:
consolidated consultants
Engineering & Environment
Tel: 9612577 - Fax: 9612380 - AMMAN - JORDAN

Date: June 2000

PANEL BOARDS
Drawing Title:

Scale: N.T.S. Drawing No: **OSPC.E-023**




Project:
 Tourism Sector Development Project
 in the Hashemite Kingdom of Jordan

Executing Agency:
 The Ministry of Tourism and Antiquities
 The Ministry of Planning

SUB-PROJECT:
 Dead Sea Panoramic Complex

Note:
 This detailed design has been executed by
 a team of consultants as shown below in
 accordance with the agreement between
 Japan International Cooperation Agency
 (JICA) and JICA Study Team.
 The copyright of this drawing rests with JICA.

NOTES :-
 ——— DIRECT BURIED UNDER GROUND CABLE



Designed by:
 Japan International Cooperation
 Agency (JICA)

JICA Study Team:
 Joint Venture of
 Pacific Consultants International and
 Yamashita Sakkel Inc.

Subcontracted Local Consultant:

 engineering & environment
 Tel: 4612311 - Fax: 4612300 - AMMAN - JORDAN

Date:	June	2000
SITE PLAN MAIN LOW TENSION CABLE ROUTING		
Drawing Title:		
Scale:	Drawing No.:	DSPEC-024
1/250		

JICA