

Tourism Sector Development Project  
in the Hashemite Kingdom of Jordan

The Government of  
The Hashemite Kingdom of Jordan  
The Ministry of Tourism and Antiquities  
The Ministry of Planning

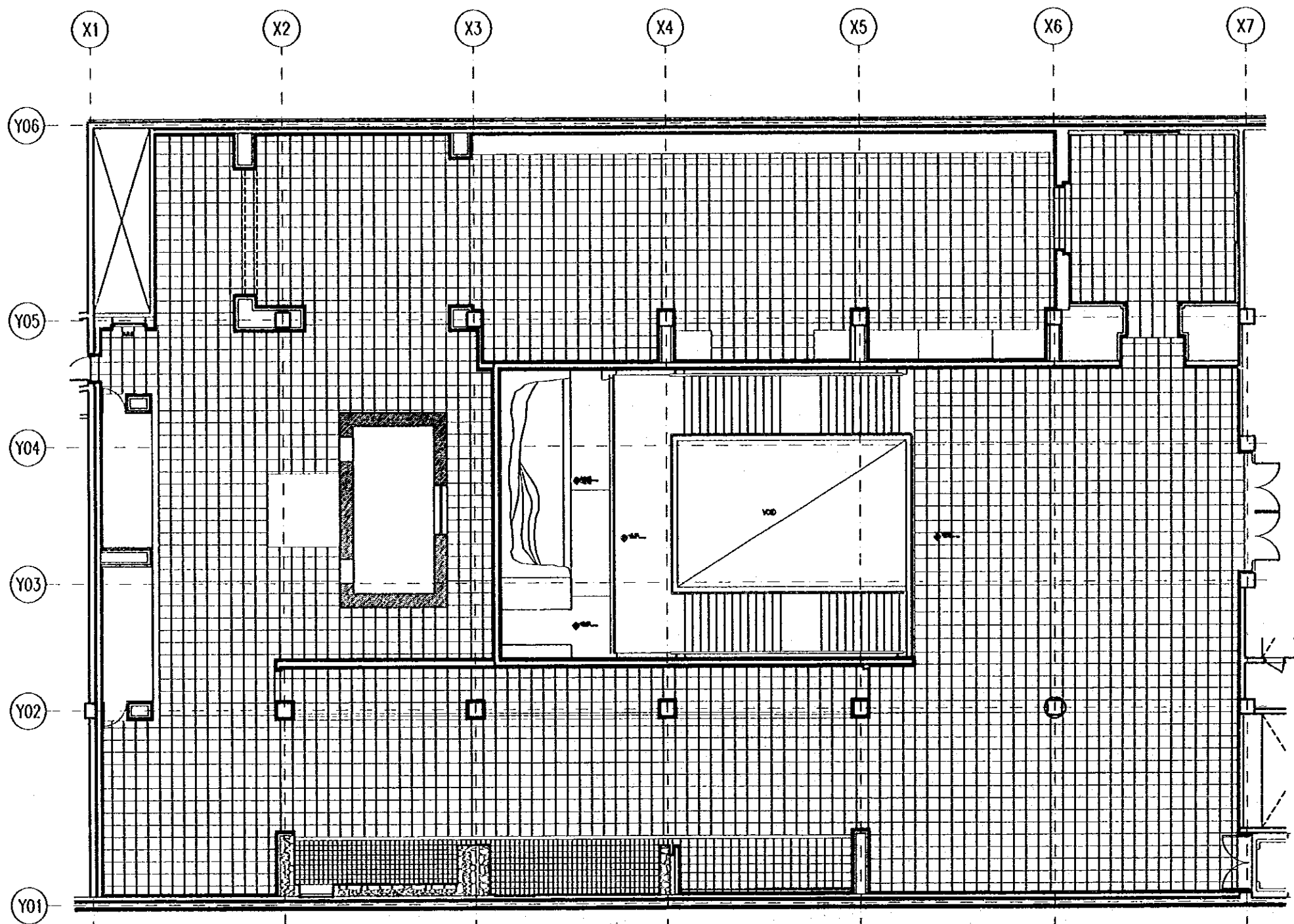
Sub-Project:

NATIONAL MUSEUM

Note:

The detailed design has been executed by a team  
of consultants as shown below in accordance with  
the agreement between Japan International  
Cooperation Agency (JICA) and JICA Study Team.

The copyright of this drawing rests with JICA.



① NORTH ARROW - N.B.A.

Designed by:

Japan International Cooperation  
Agency (JICA)

JICA Study Team:

Joint Venture of  
Pacific Consultants International and  
Yamasita Sekkel Inc.

Subcontracted Local Consultant:

Jafar Tukon and Partners  
Architects and Engineers

Drawing Title:

EXHIBITION HALL  
GENERAL PLAN (2ND. FL.)

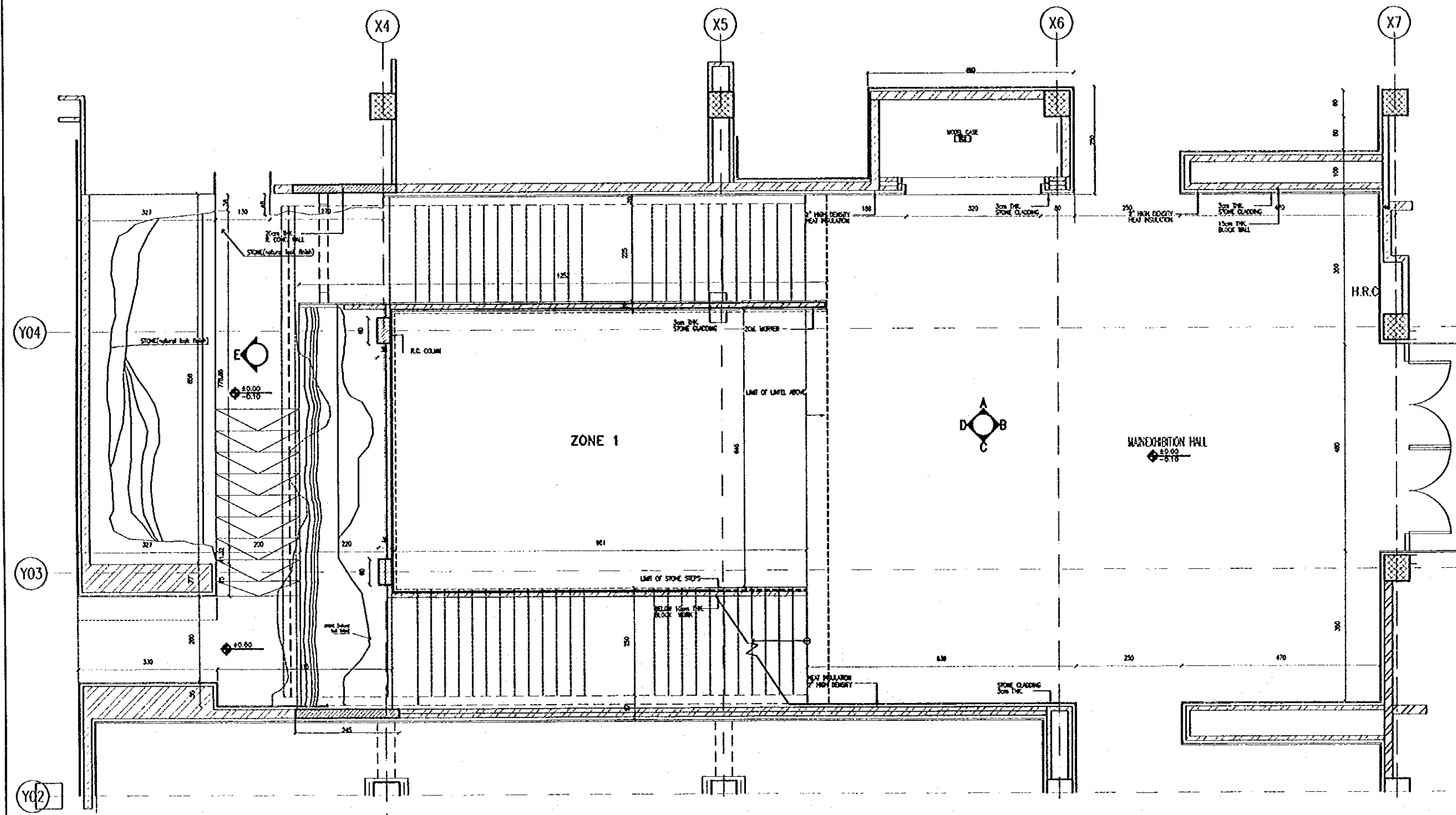
Scale:

1:100

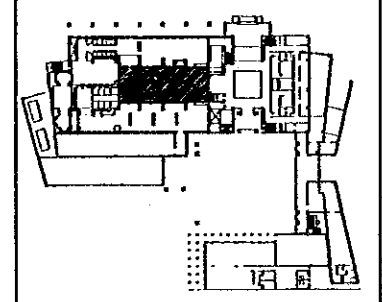
Drawing No.:

A-426

Note:  
This detailed design has been executed by a team  
of consultants as shown below in accordance with  
the agreement between Japan International  
Cooperation Agency (JICA) and JICA Study Team.  
  
The copyright of this drawing rests with JICA.



**1 PARTIAL PLAN (G.F.L)**  
A-427 SCALE = 1:50



Designed by:  
Japan International Cooperation  
Agency (JICA)  
  
JICA Study Team:  
Joint Venture of  
Pacific Consultants International and  
Yamasita Sekkei Inc.  
  
Subcontracted Local Consultant:  
Jafar Tukon and Partners  
Architects and Engineers

Drawing Title:  
**EXHIBITION HALL  
ZONE 1 (1)**

Scale: 1:50 Drawing No.: A-427

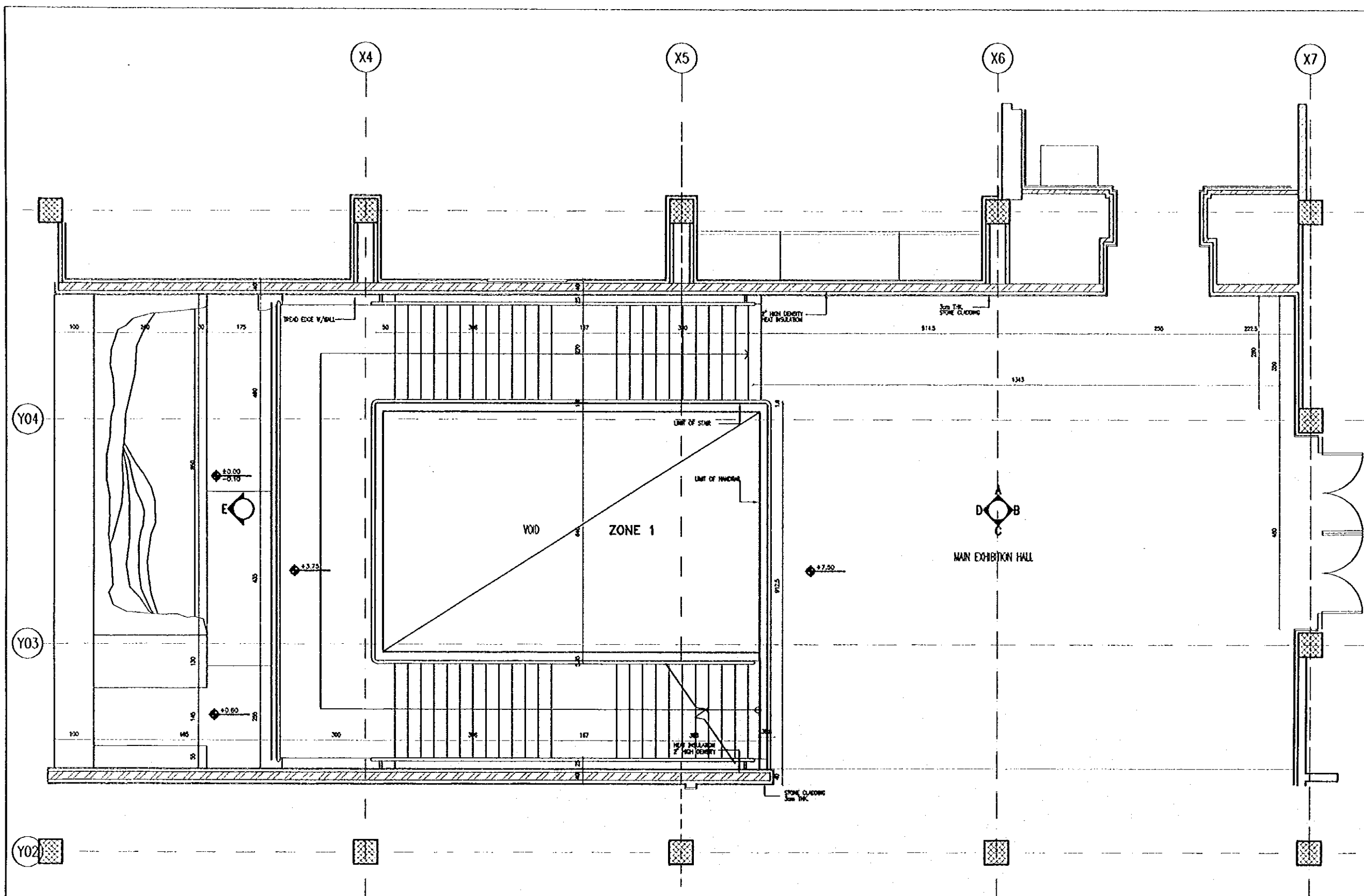
Sub-Project:

NATIONAL MUSEUM

Note:

This detailed design has been executed by a team of consultants as shown below in accordance with the agreement between Japan International Cooperation Agency (JICA) and JICA Study Team.

The copyright of this drawing rests with JICA.



1 PARTIAL PLAN (2ND.FL.)  
A-428 SCALE = 1:20

Designed by:

Japan International Cooperation Agency (JICA)

JICA Study Team:

Joint Venture of Pacific Consultants International and Yamasa Sekkel Inc.

Subcontracted Local Consultant:

Jafar Tukon and Partners Architects and Engineers

Drawing Title:

EXHIBITION HALL  
ZONE 1 (2)

Scale:

1:20

Drawing No.:

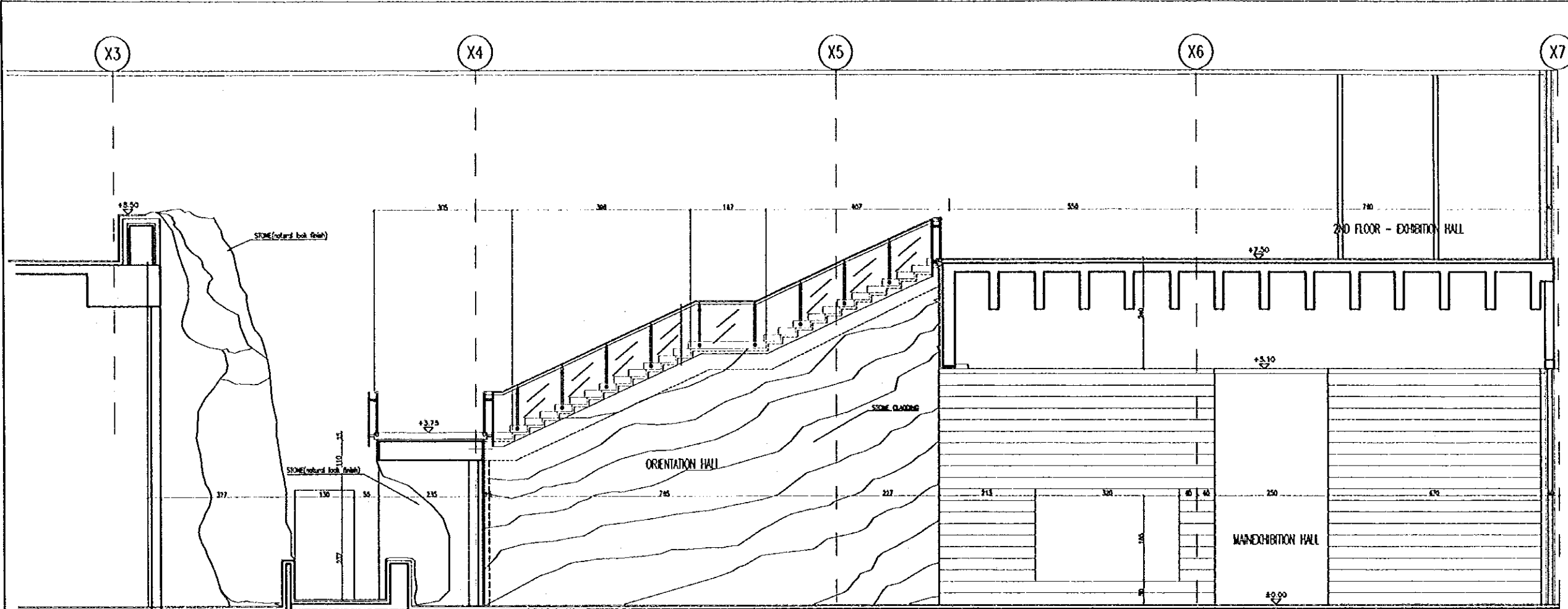
A-428

Tourism Sector Development Project  
In the Hashemite Kingdom of Jordan

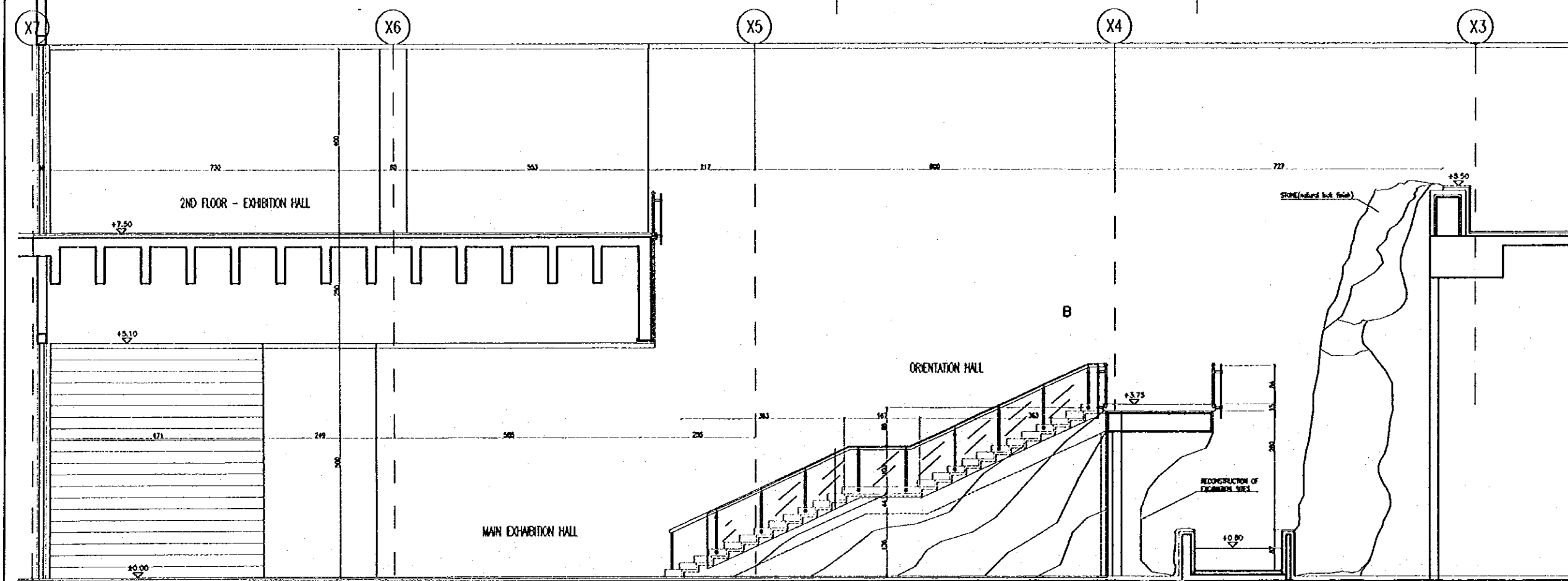
The Government of  
The Hashemite Kingdom of Jordan  
The Ministry of Tourism and Antiquities  
The Ministry of Planning

Sub-Project:  
**NATIONAL MUSEUM**

Note:  
This detailed design has been executed by a team  
of consultants as shown below in accordance with  
the agreement between Japan International  
Cooperation Agency (JICA) and JICA Study Team.  
  
The copyright of this drawing rests with JICA.



A



B

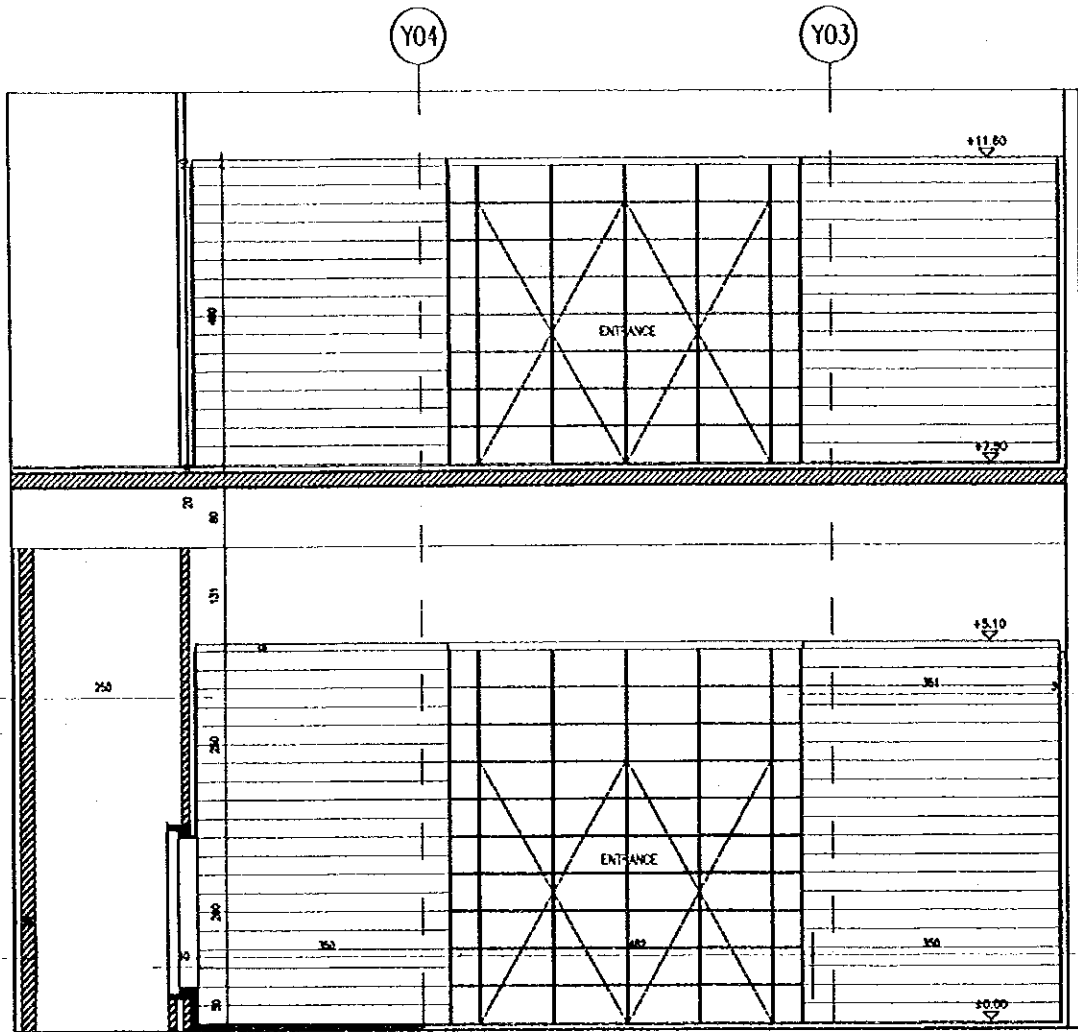
C

1 INTERNAL ELEVATION (1)  
SCALE = 1:50

Designed by:  
Japan International Cooperation  
Agency (JICA)  
JICA Study Team:  
Joint Venture of  
Pacific Consultants International and  
Yamato Sekkei Inc.  
Subcontracted Local Consultant:  
Jafar Tukan and Partners  
Architects and Engineers

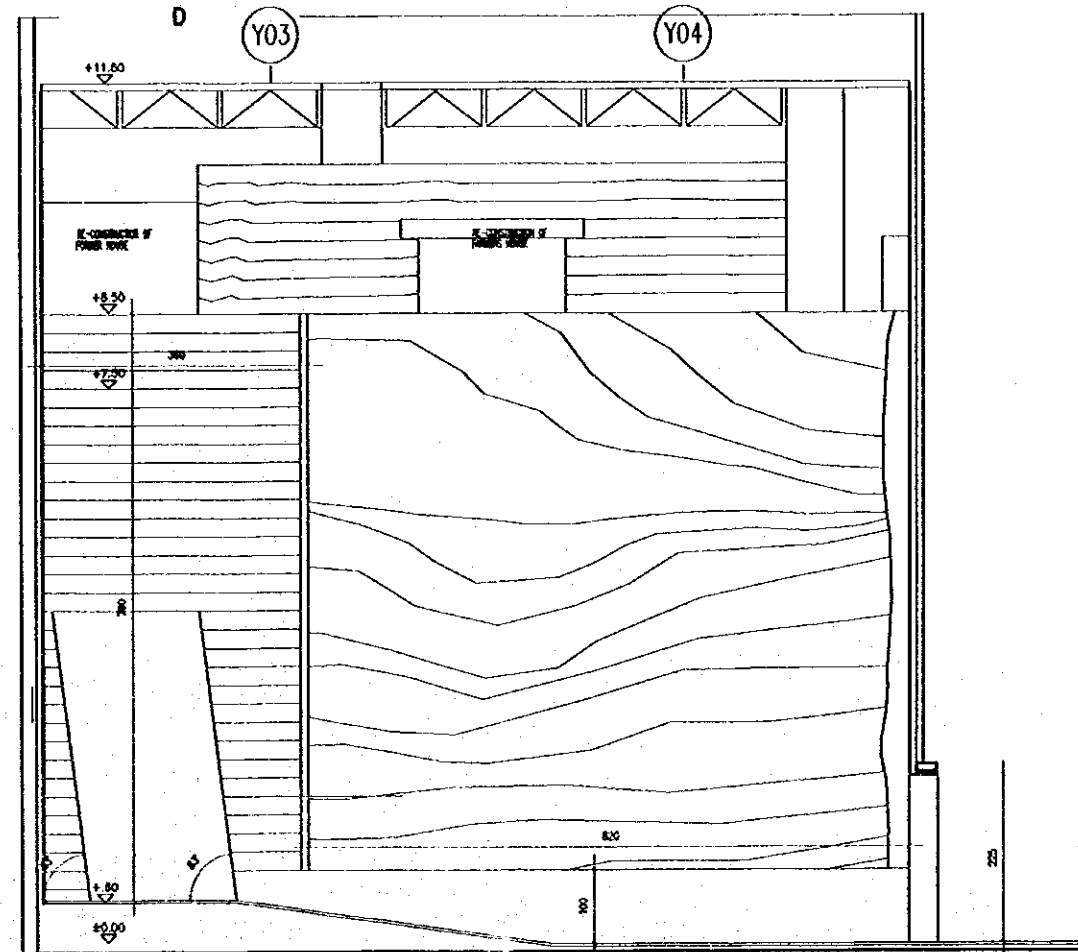
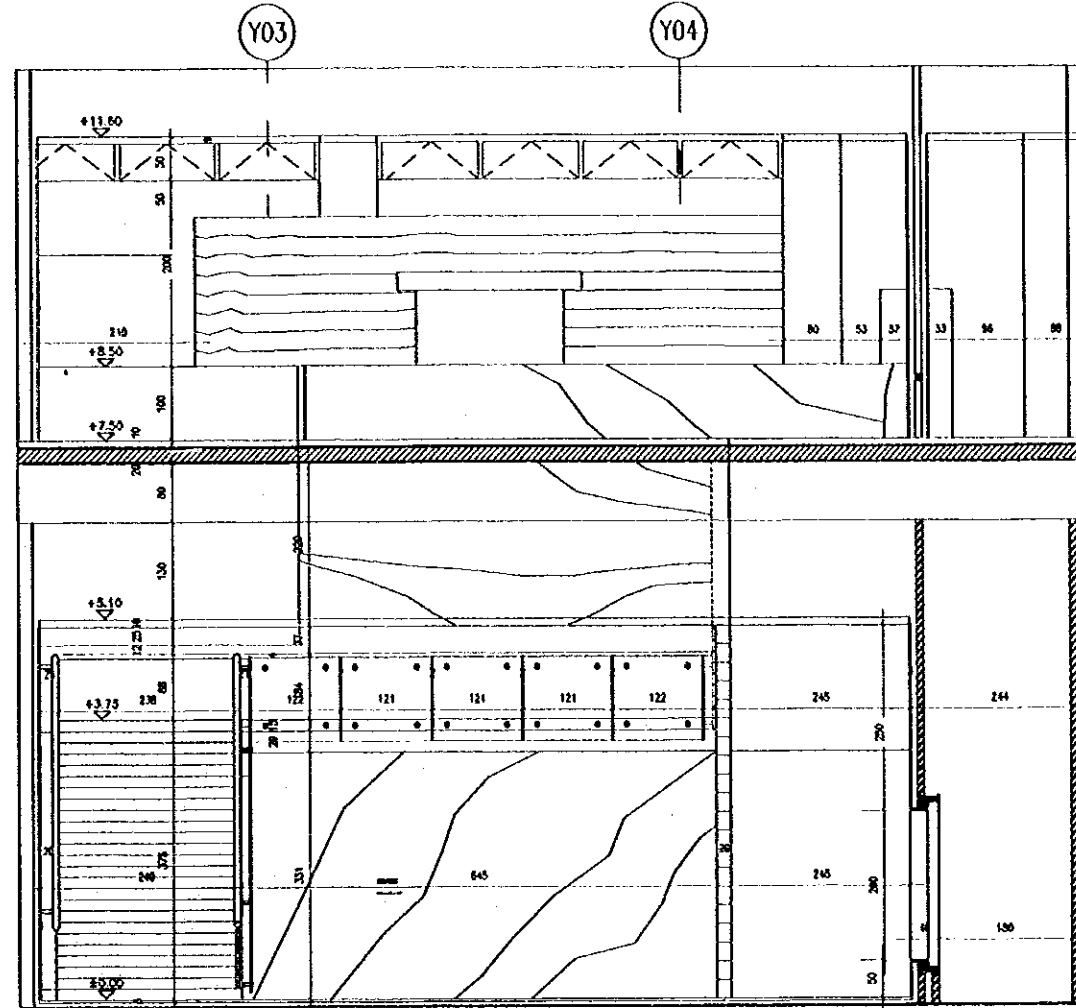
Drawing Title:  
**EXHIBITION HALL  
ZONE 1 (3)**

Scale: 1:50 Drawing No.: A-429



B

1 INTERNAL ELEVATION (2)  
A-430 SCALE = 1:50



E

Tourism Sector Development Project  
in the Hashemite Kingdom of Jordan

The Government of  
The Hashemite Kingdom of Jordan  
The Ministry of Tourism and Antiquities  
The Ministry of Planning

Sub Project:

NATIONAL MUSEUM

Note:

This detailed design has been executed by a team  
of consultants as shown below in accordance with  
the agreement between Japan International  
Cooperation Agency (JICA) and JICA Study Team.

The copyright of this drawing rests with JICA.

Designed by:

Japan International Cooperation  
Agency (JICA)

JICA Study Team:

Joint Venture of  
Pacific Consultants International and  
Yamashita Sekkei Inc.

Subcontracted Local Consultant:

Jafar Tukon and Partners  
Architects and Engineers

Drawing Title:

EXHIBITION HALL  
ZONE 1 (4)

Scale:

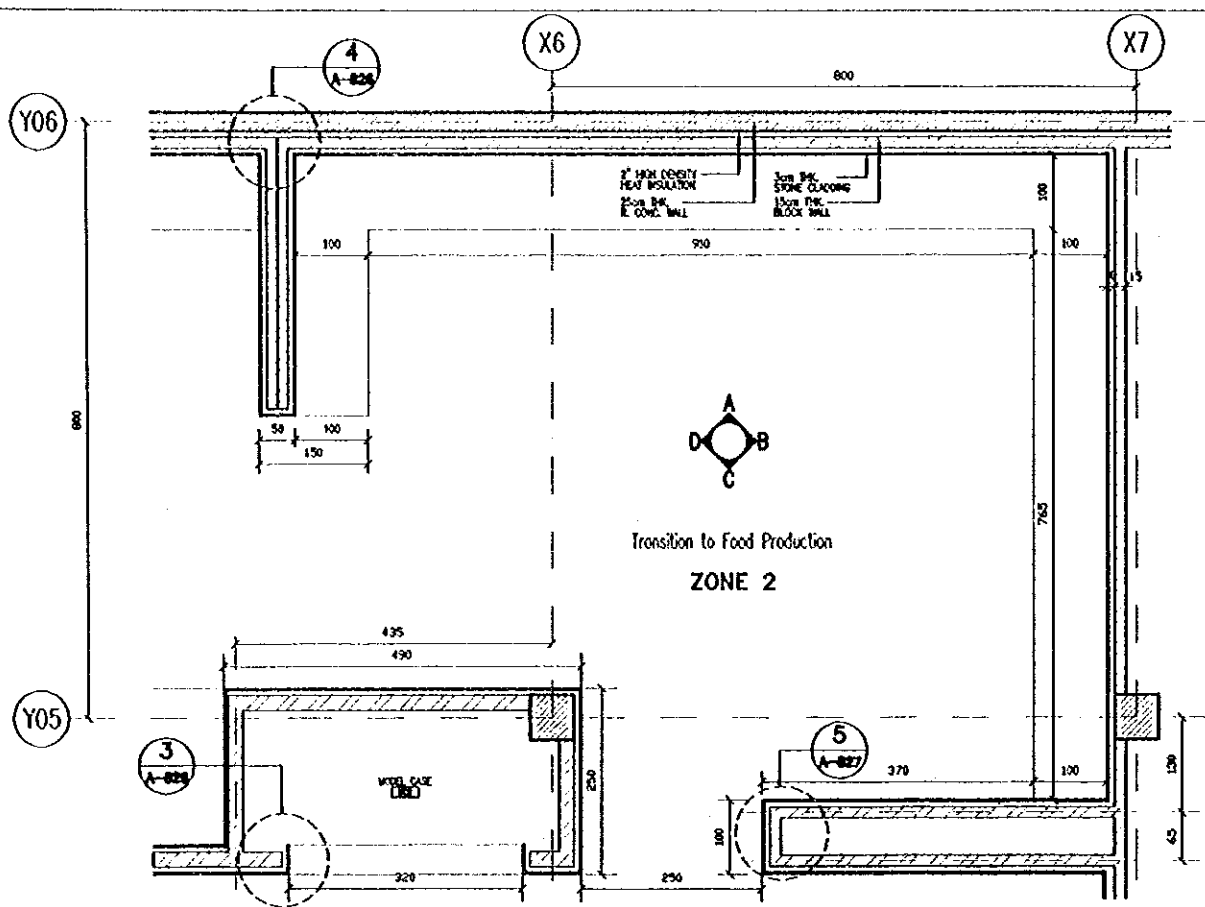
Drawing No.:

1:50

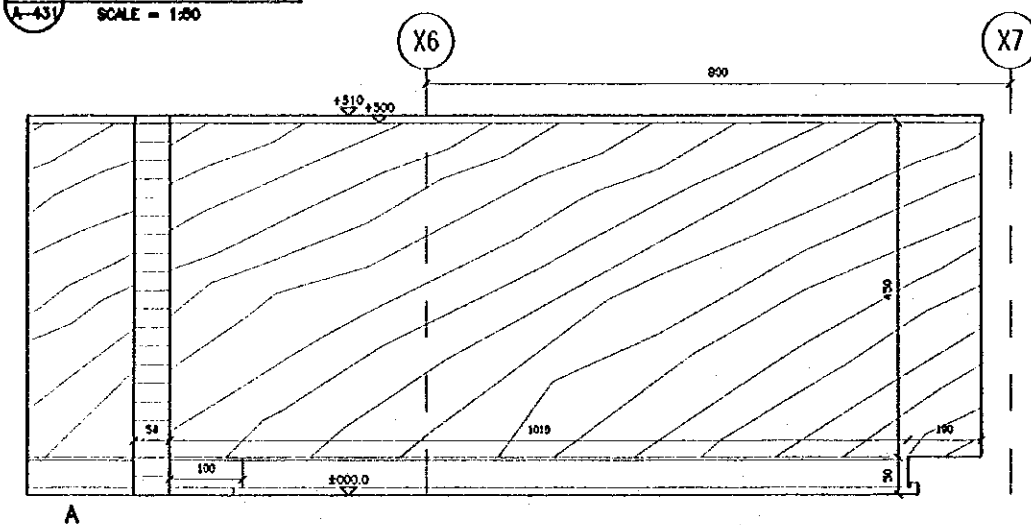
A-430

57

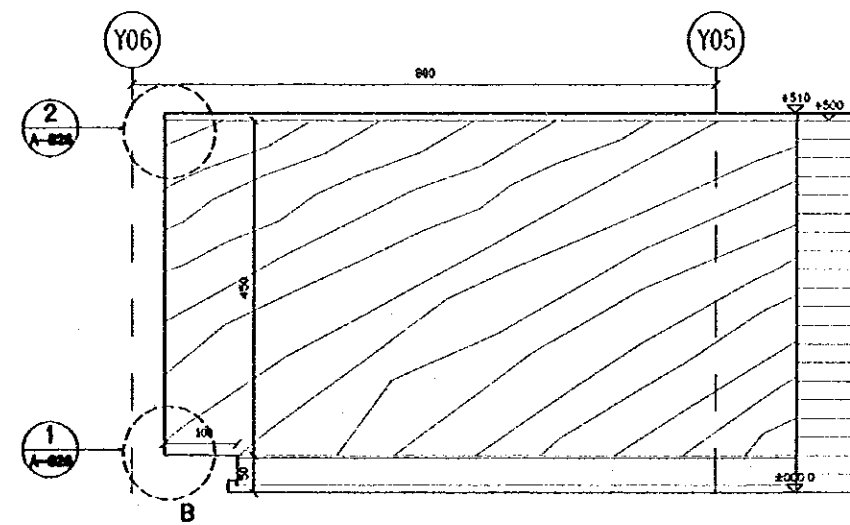
Note:  
This detailed design has been executed by a team  
of consultants as shown below in accordance with  
the agreement between Japan International  
Cooperation Agency (JICA) and JICA Study Team.  
The copyright of this drawing rests with JICA.



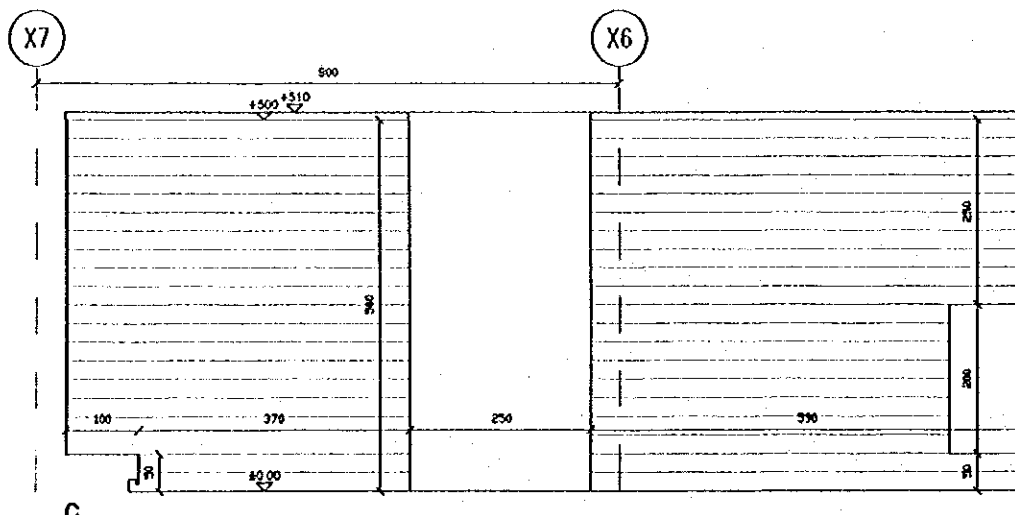
1 PARTIAL PLAN  
SCALE = 1:50



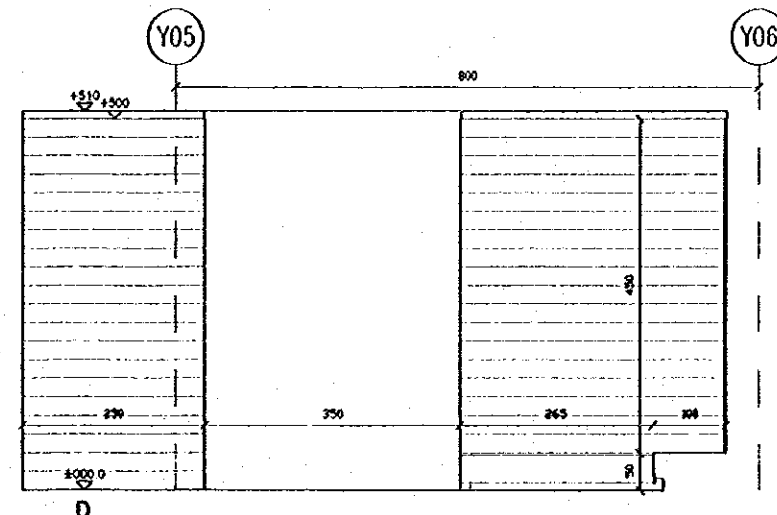
A



B

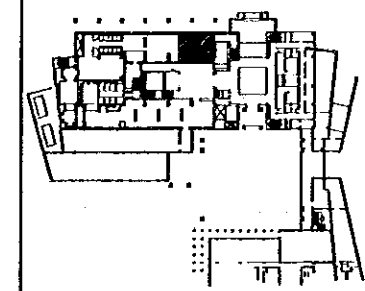


C



D

2 INTERNAL ELEVATIONS  
SCALE = 1:50

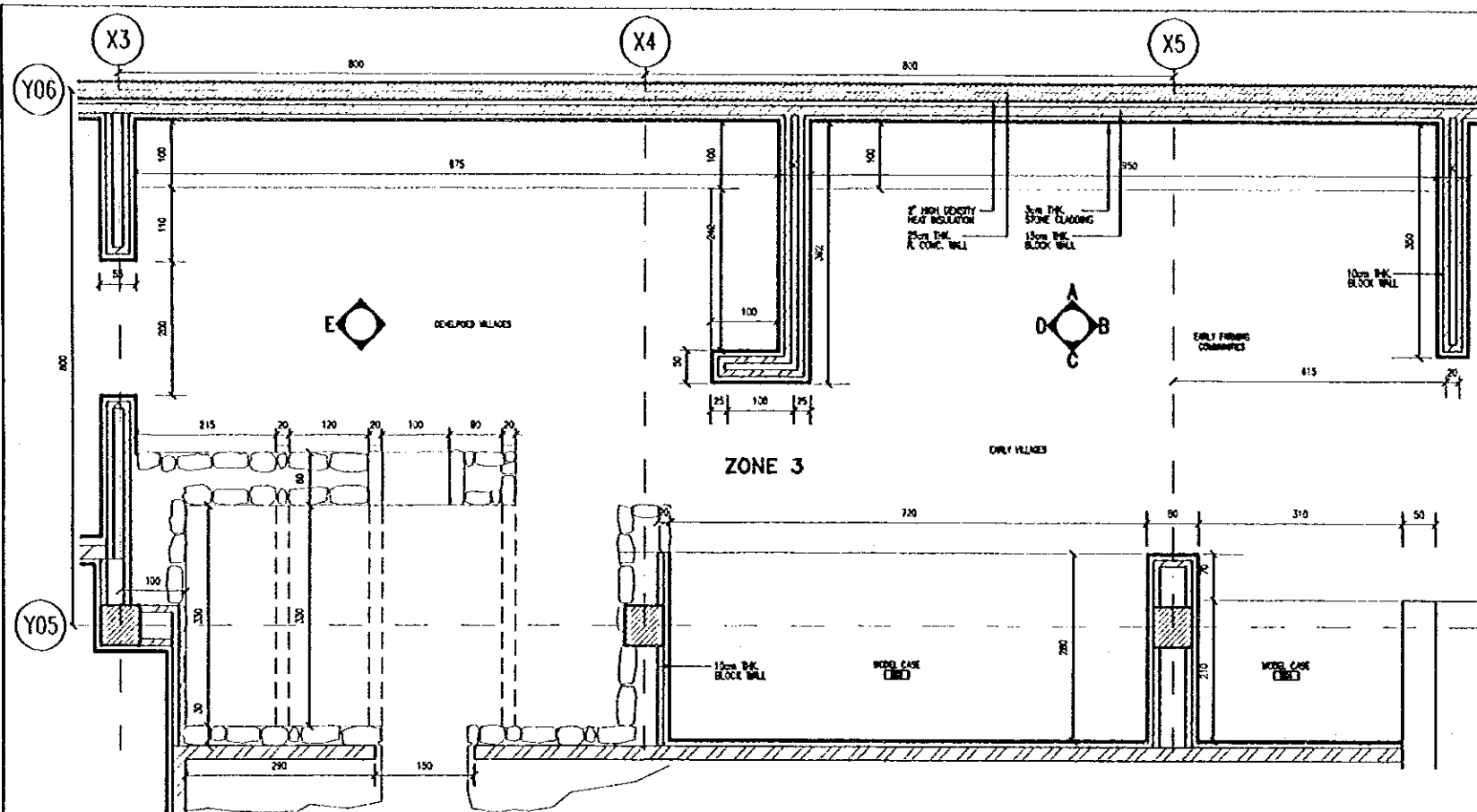


Designed by:  
Japan International Cooperation  
Agency (JICA)  
JICA Study Team:  
Joint Venture of  
Pacific Consultants International and  
Yamashita Sekkei Inc.  
Subcontracted Local Consultant:  
Jafar Tukan and Partners  
Architects and Engineers

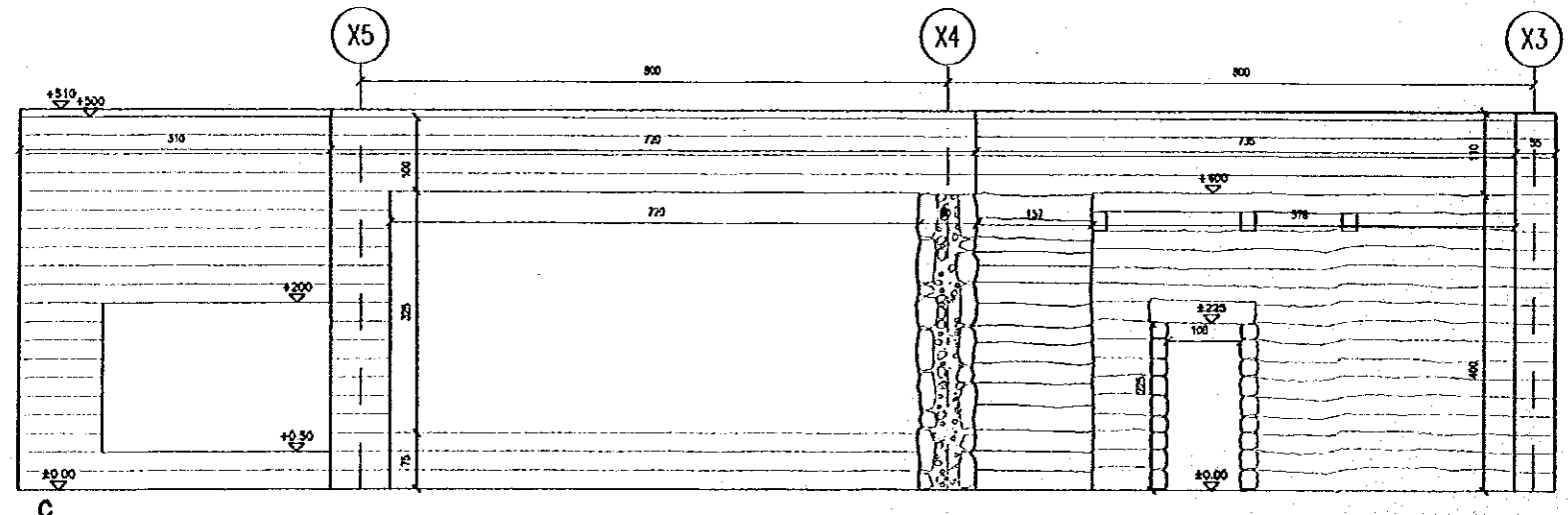
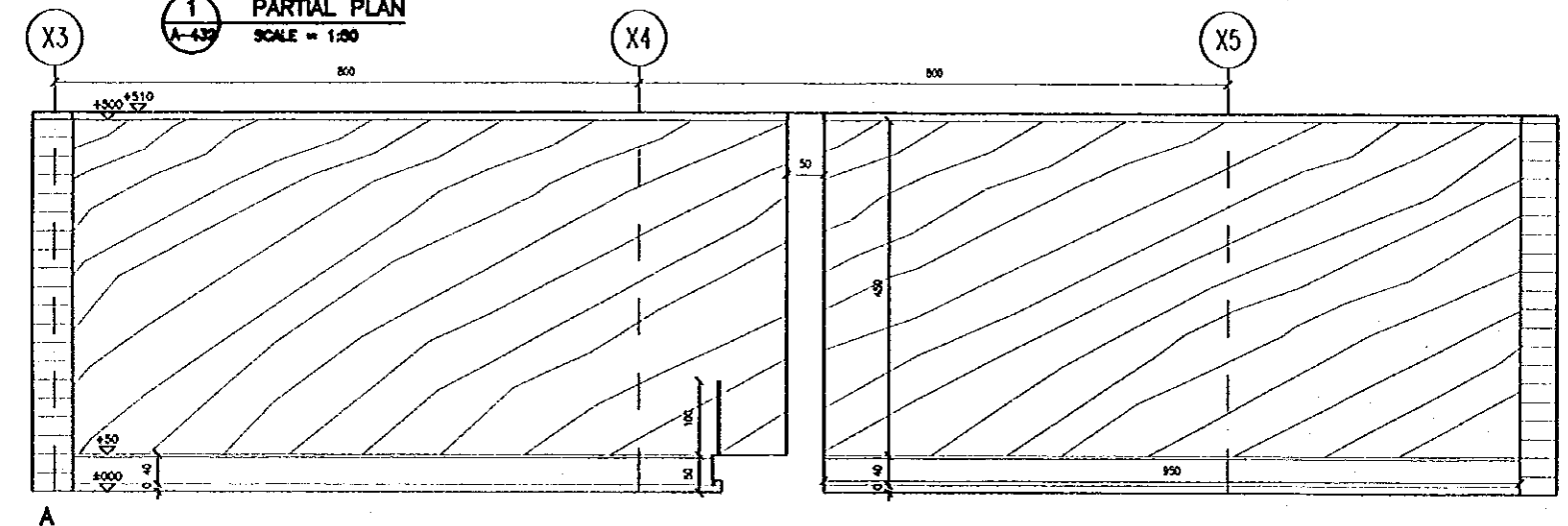
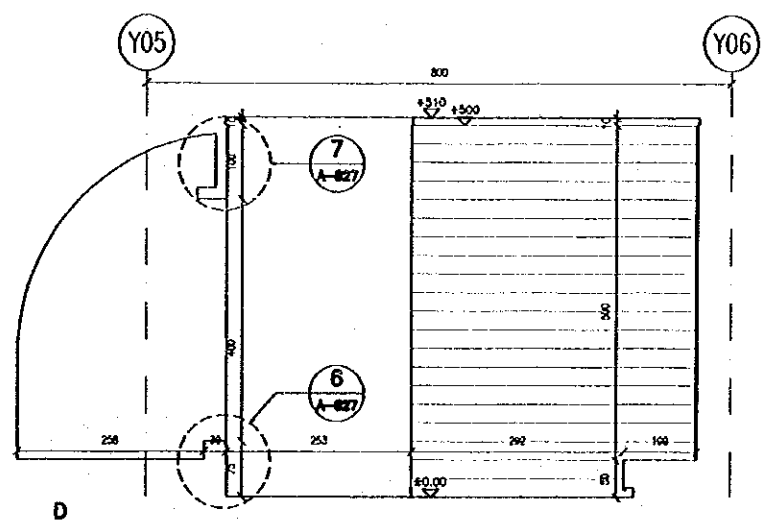
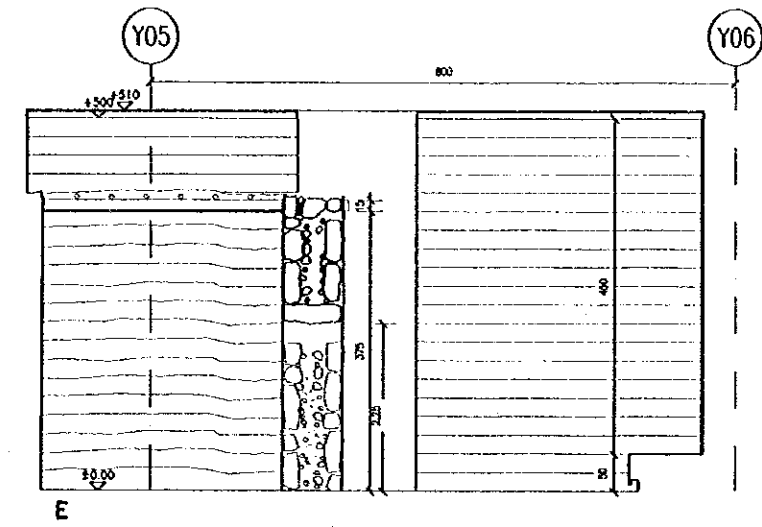
Drawing Title:  
**EXHIBITION HALL  
ZONE 2**

Scale: 1:50 Drawing No.: A-431

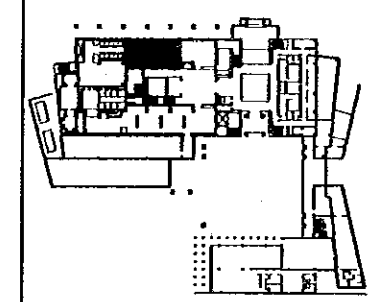
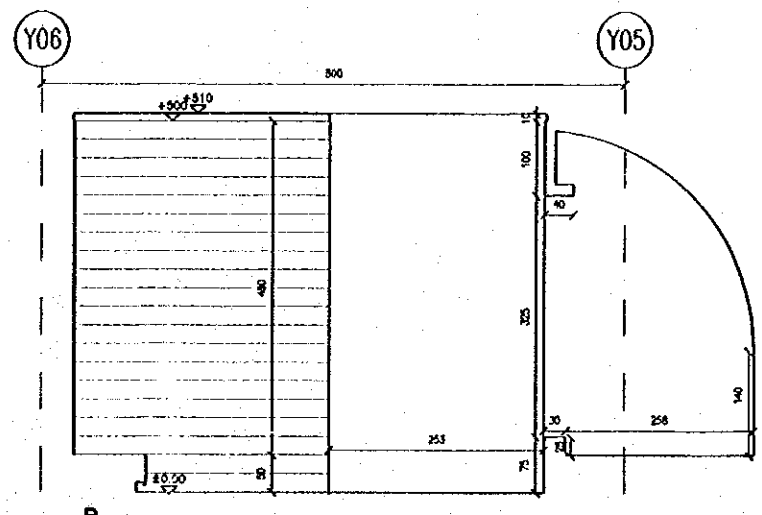
Note:  
This detailed design has been executed by a team  
of consultants as shown below in accordance with  
the agreement between Japan International  
Cooperation Agency (JICA) and JICA Study Team.  
  
The copyright of this drawing rests with JICA.



1 PARTIAL PLAN  
A-432 SCALE = 1:200



2 INTERNAL ELEVATIONS  
A-432 SCALE = 1:200

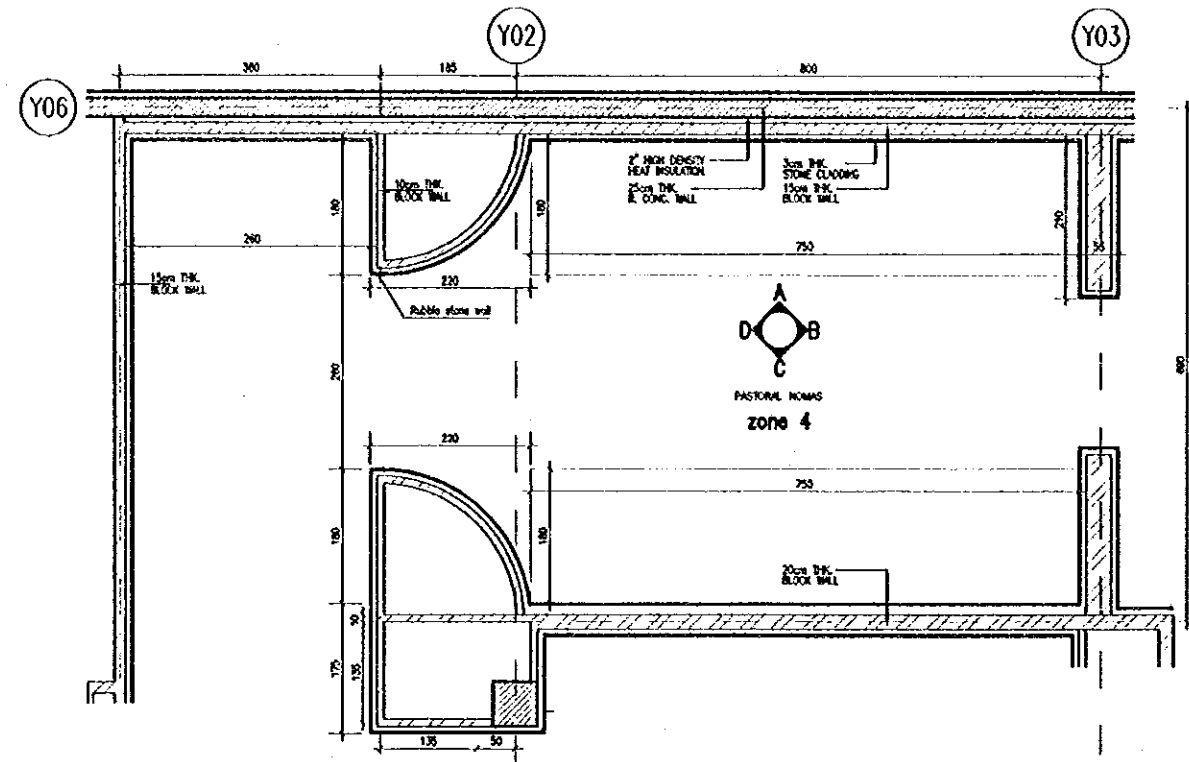


Designed by:  
Japan International Cooperation  
Agency (JICA)  
JICA Study Team:  
Joint Venture of  
Pacific Consultants International and  
Yamasita Sekkel Inc.  
Subcontracted Local Consultant:  
Jafar Tukon and Partners  
Architects and Engineers

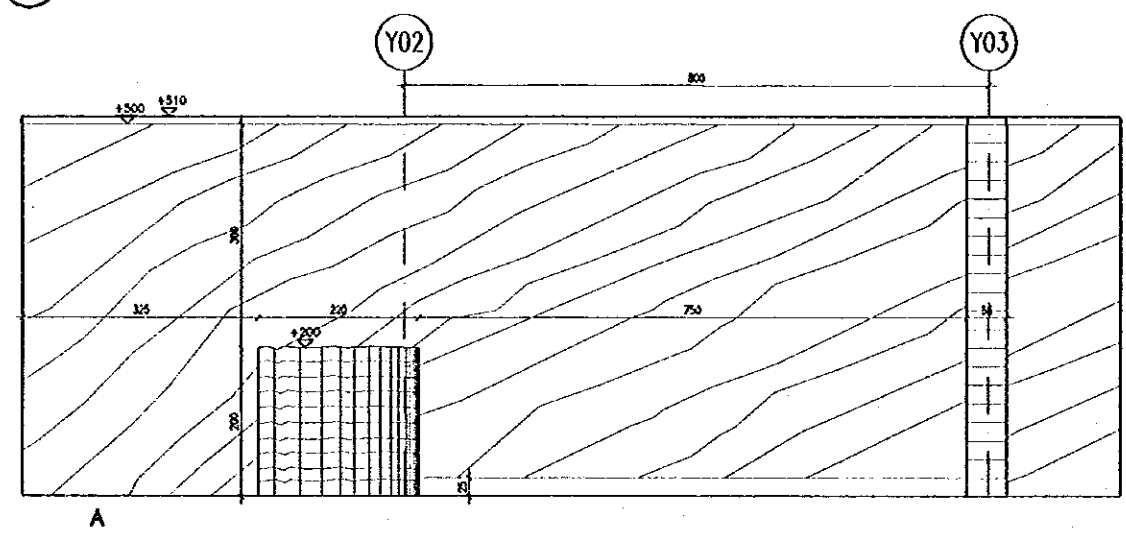
Drawing Title:  
**EXHIBITION HALL  
ZONE 3**

Scale: 1:200 Drawing No.: A-432

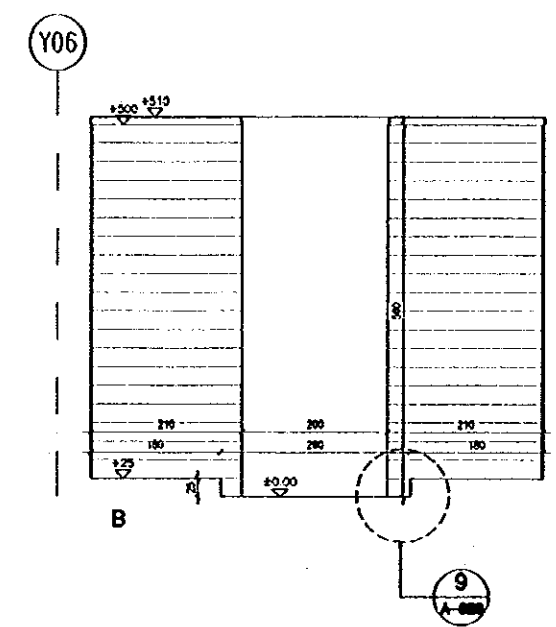
Note:  
This detailed design has been executed by a team of consultants as shown below in accordance with the agreement between Japan International Cooperation Agency (JICA) and JICA Study Team.  
The copyright of this drawing rests with JICA.



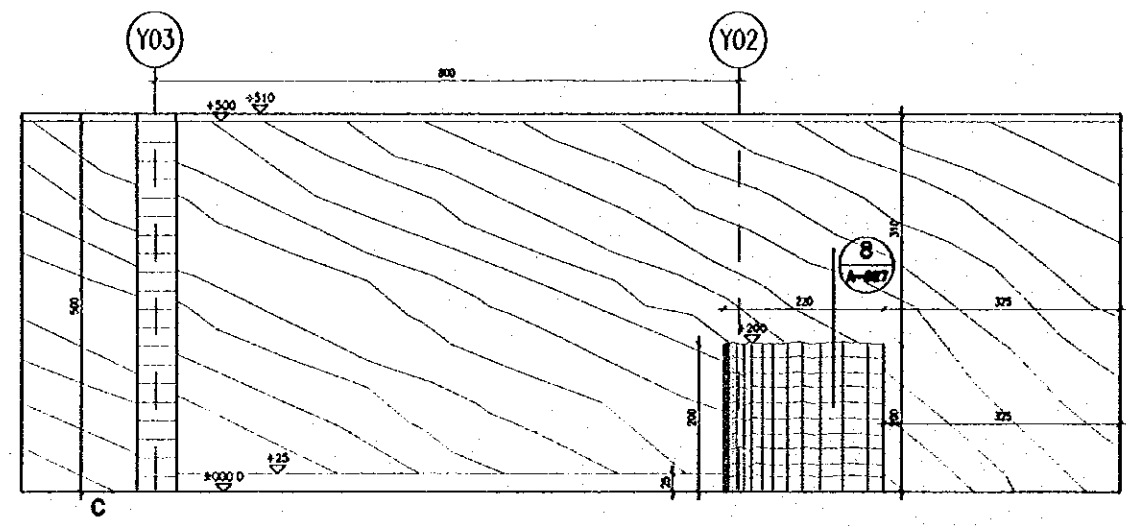
**1 PARTIAL PLAN**  
A-433 SCALE = 1:80



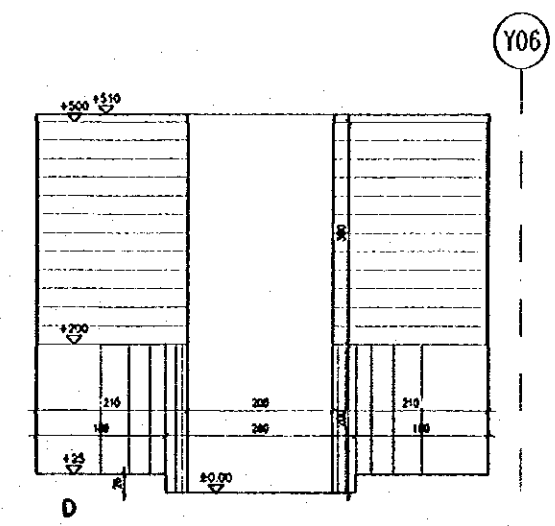
A



B

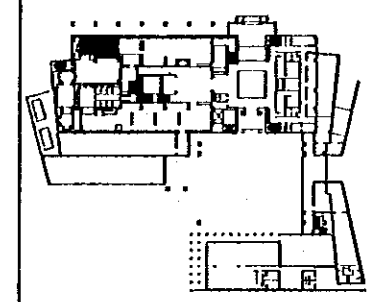


C



D

**2 INTERNAL ELEVATIONS**  
A-433 SCALE = 1:80

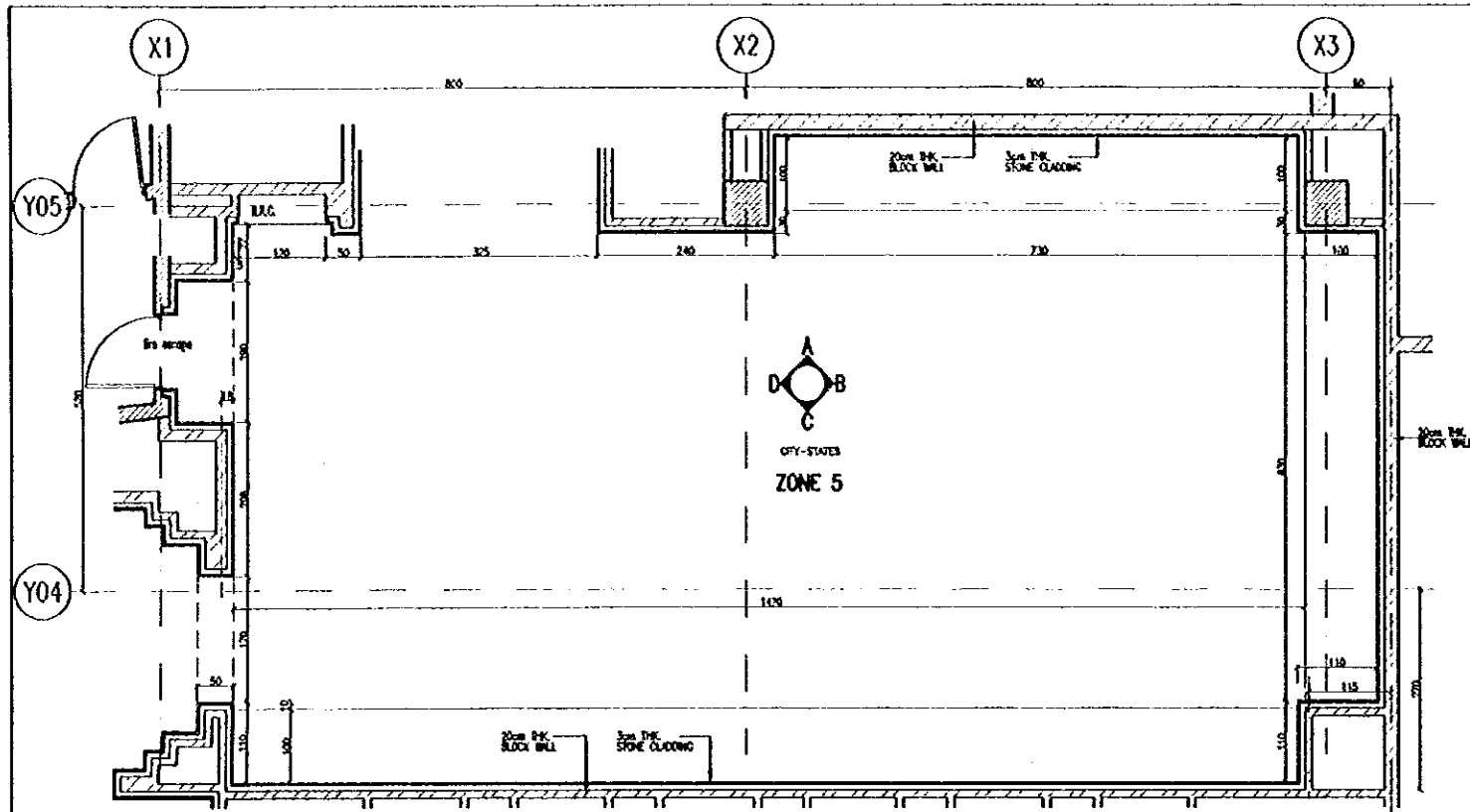


Designed by:  
Japan International Cooperation Agency (JICA)  
JICA Study Team:  
Joint Venture of Pacific Consultants International and Yamashita Sekkei Inc.  
Subcontracted Local Consultant:  
Jafor Tukan and Partners Architects and Engineers

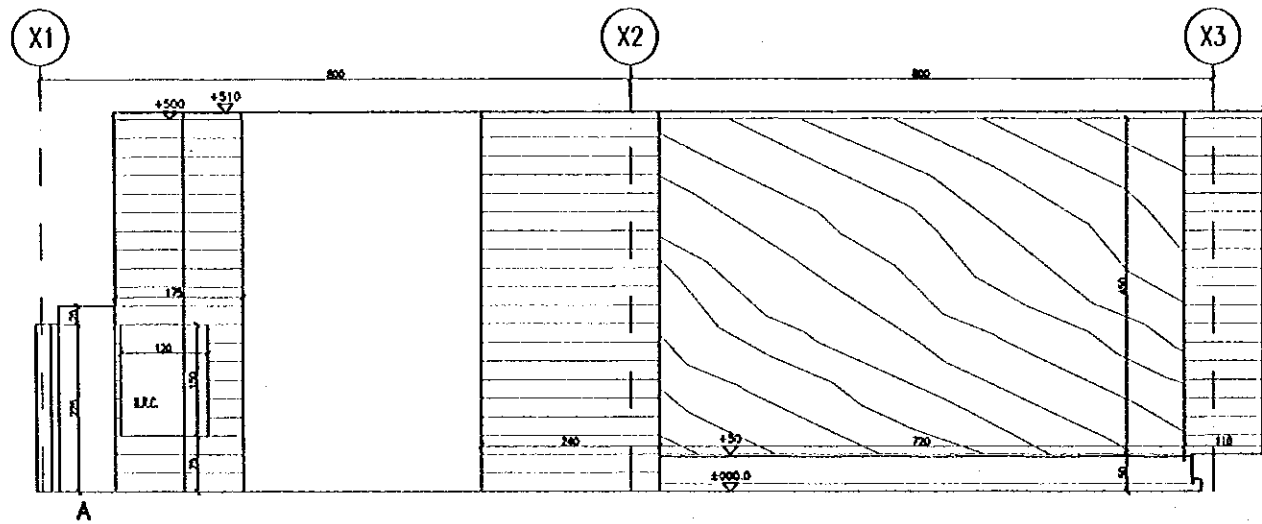
Drawing Title:  
**EXHIBITION HALL ZONE 4**

Scale: 1:80 Drawing No.: A-433

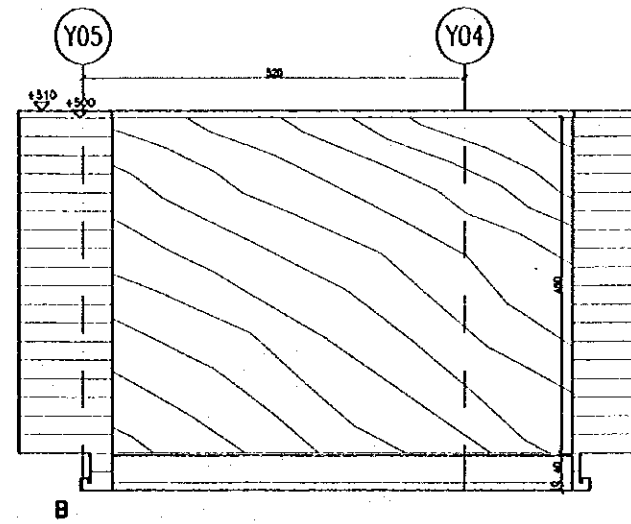




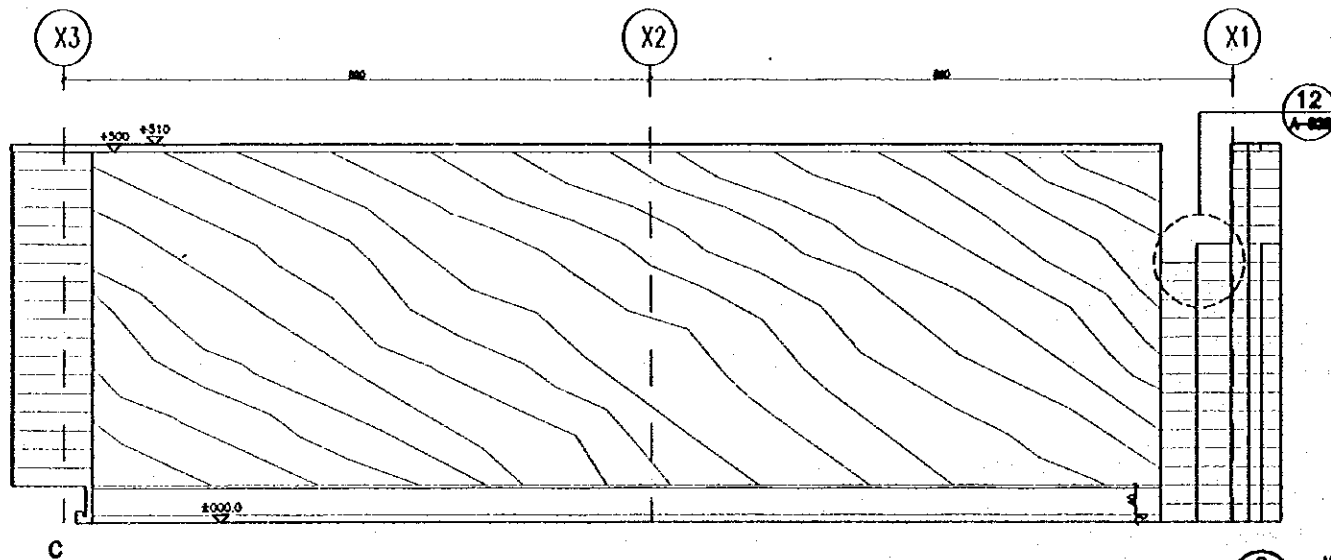
1 PARTIAL PLAN  
A-434 SCALE = 1:80



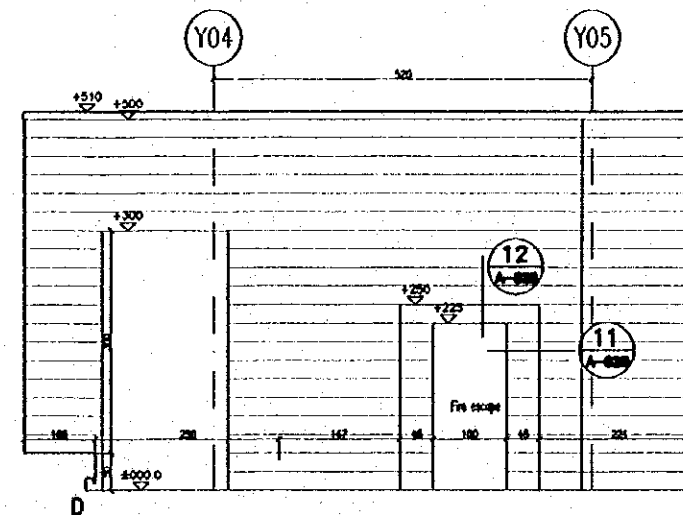
A



B



C



D

2 INTERNAL ELEVATIONS  
A-434 SCALE = 1:80

Tourism Sector Development Project  
in the Hashemite Kingdom of Jordan

The Government of  
The Hashemite Kingdom of Jordan  
The Ministry of Tourism and Antiquities  
The Ministry of Planning

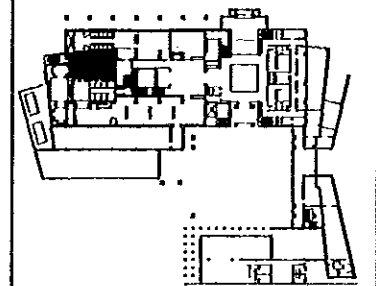
Sub Project:

NATIONAL MUSEUM

Note:

This detailed design has been executed by a team  
of consultants as shown below in accordance with  
the agreement between Japan International  
Cooperation Agency (JICA) and JICA Study Team.

The copyright of this drawing rests with JICA.



Designed by:

Japan International Cooperation  
Agency (JICA)

JICA Study Team:

Joint Venture of  
Pacific Consultants International and  
Yamato Sekkel Inc.

Subcontracted Local Consultant:

Jafar Tukon and Partners  
Architects and Engineers

Drawing Title:

EXHIBITION HALL  
ZONE 5

Scale:

1:80

Drawing No.:

A-434

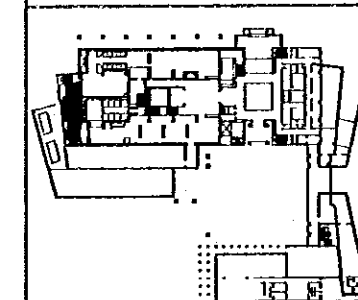
Sub-project:

NATIONAL MUSEUM

Note:

This detailed design has been executed by a team of consultants as shown below in accordance with the agreement between Japan International Cooperation Agency (JICA) and JICA Study Team.

The copyright of this drawing rests with JICA.



Designed by:

Japan International Cooperation Agency (JICA)

JICA Study Team:

Joint Venture of  
Pacific Consultants International and  
Yamasita Sekkel Inc.

Subcontracted Local Consultant:

Jafar Tukan and Partners  
Architects and Engineers

Drawing Title:

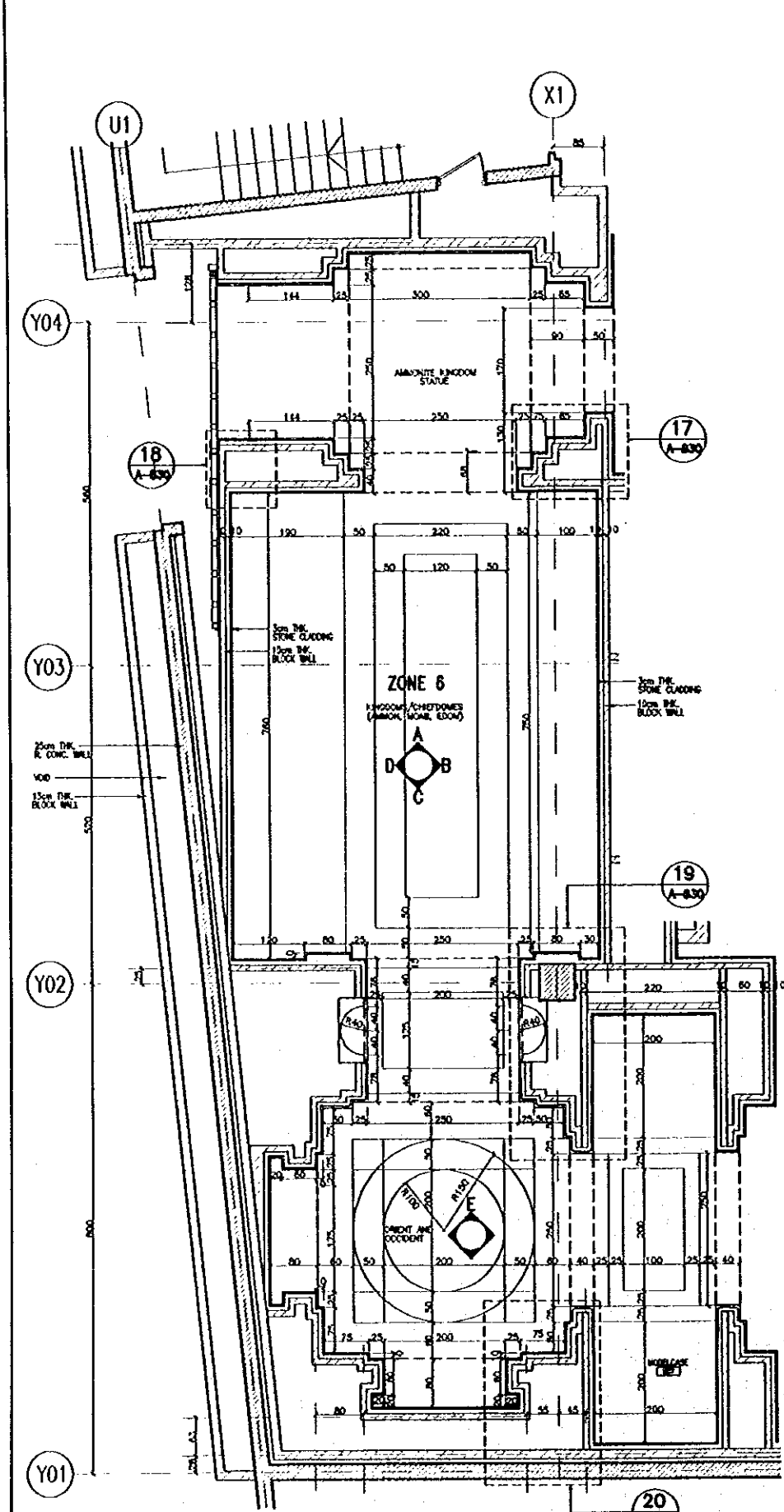
EXHIBITION HALL  
ZONE 6

Scale:

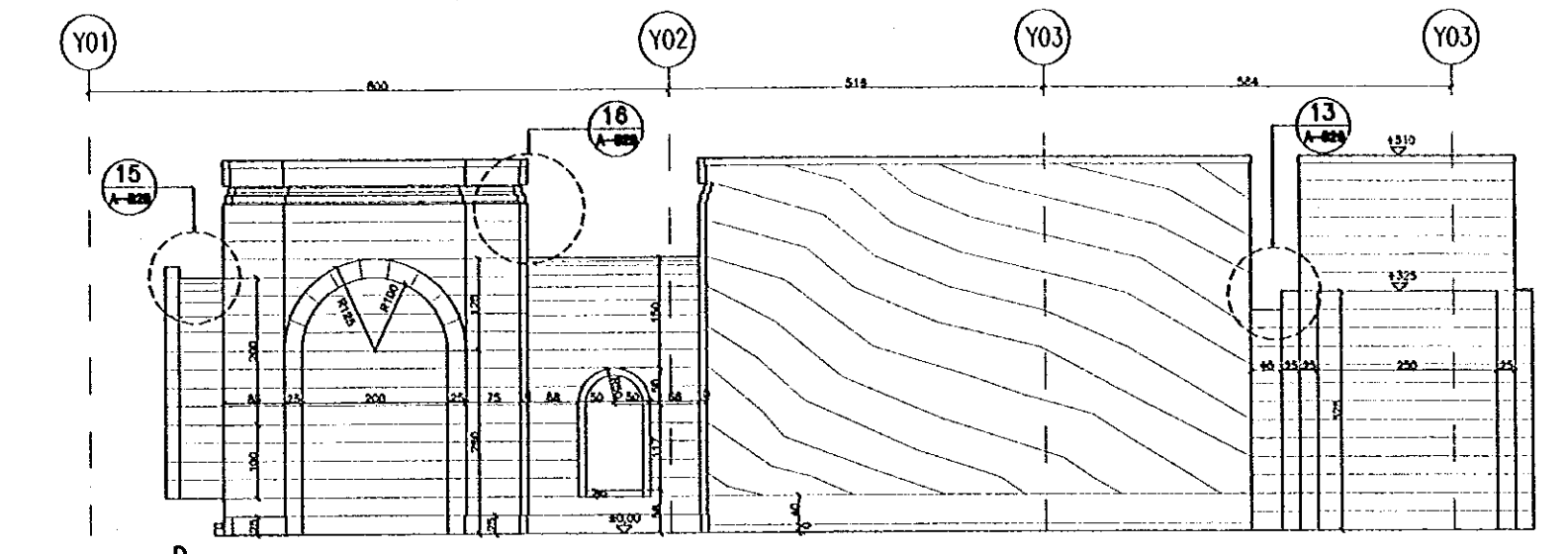
1:80

Drawing No.:

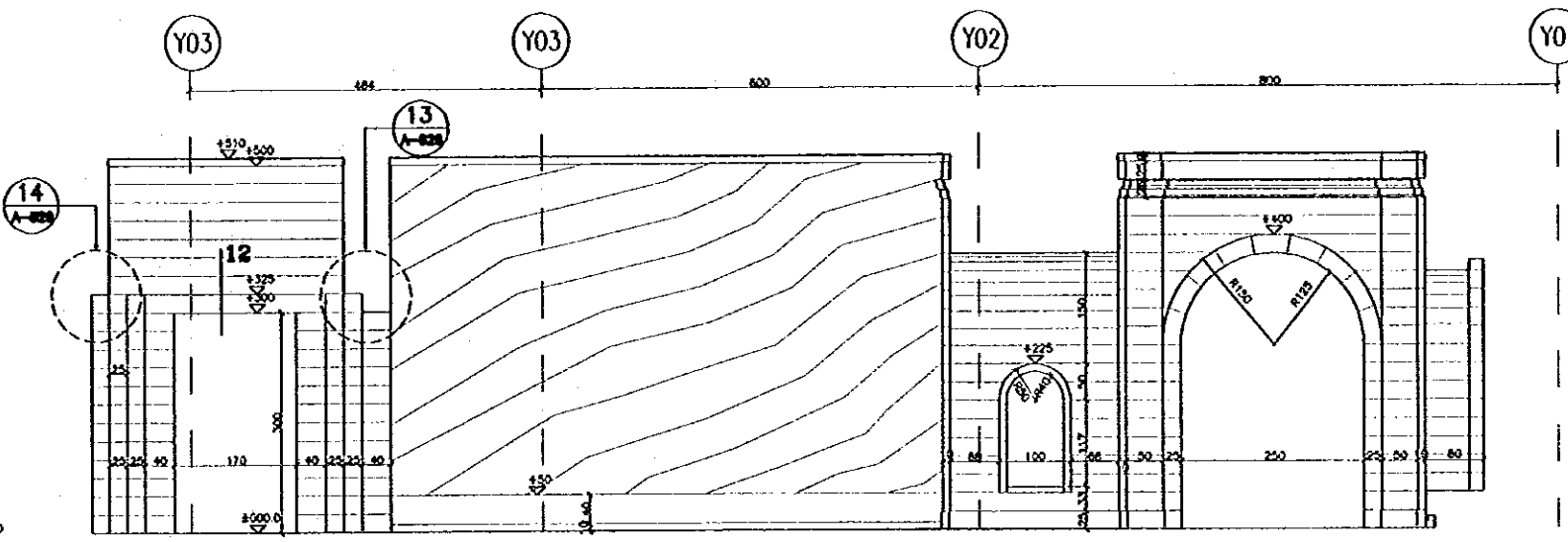
A-435



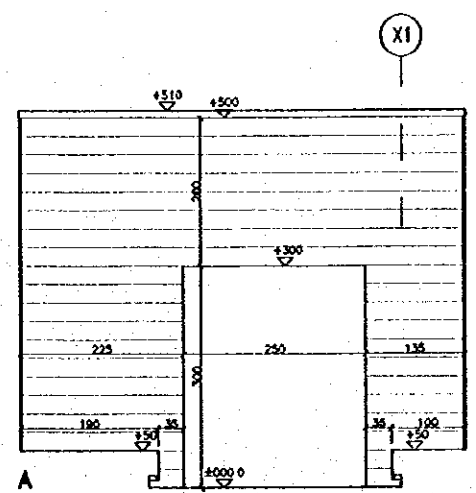
1 PARTIAL PLAN  
SCALE = 1:80



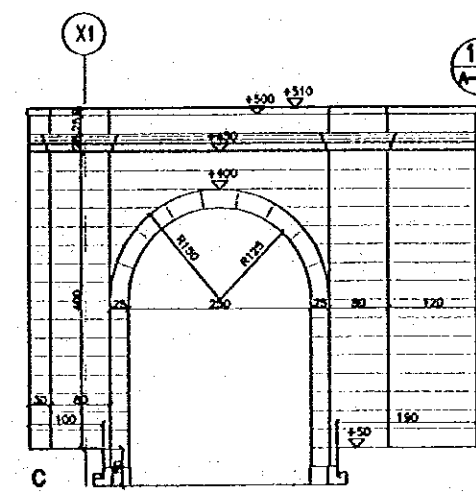
D



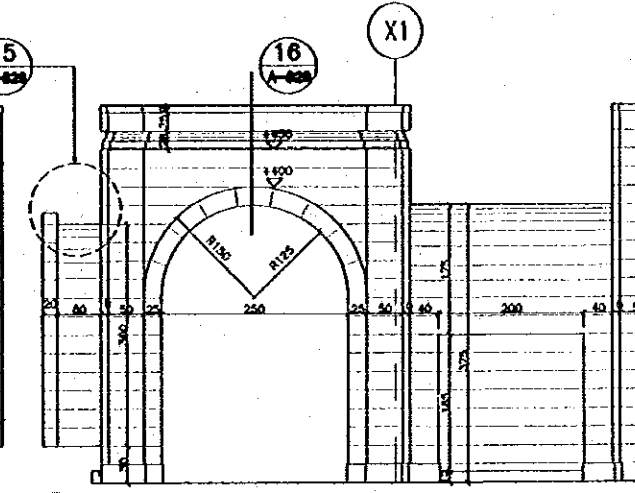
B



A



C

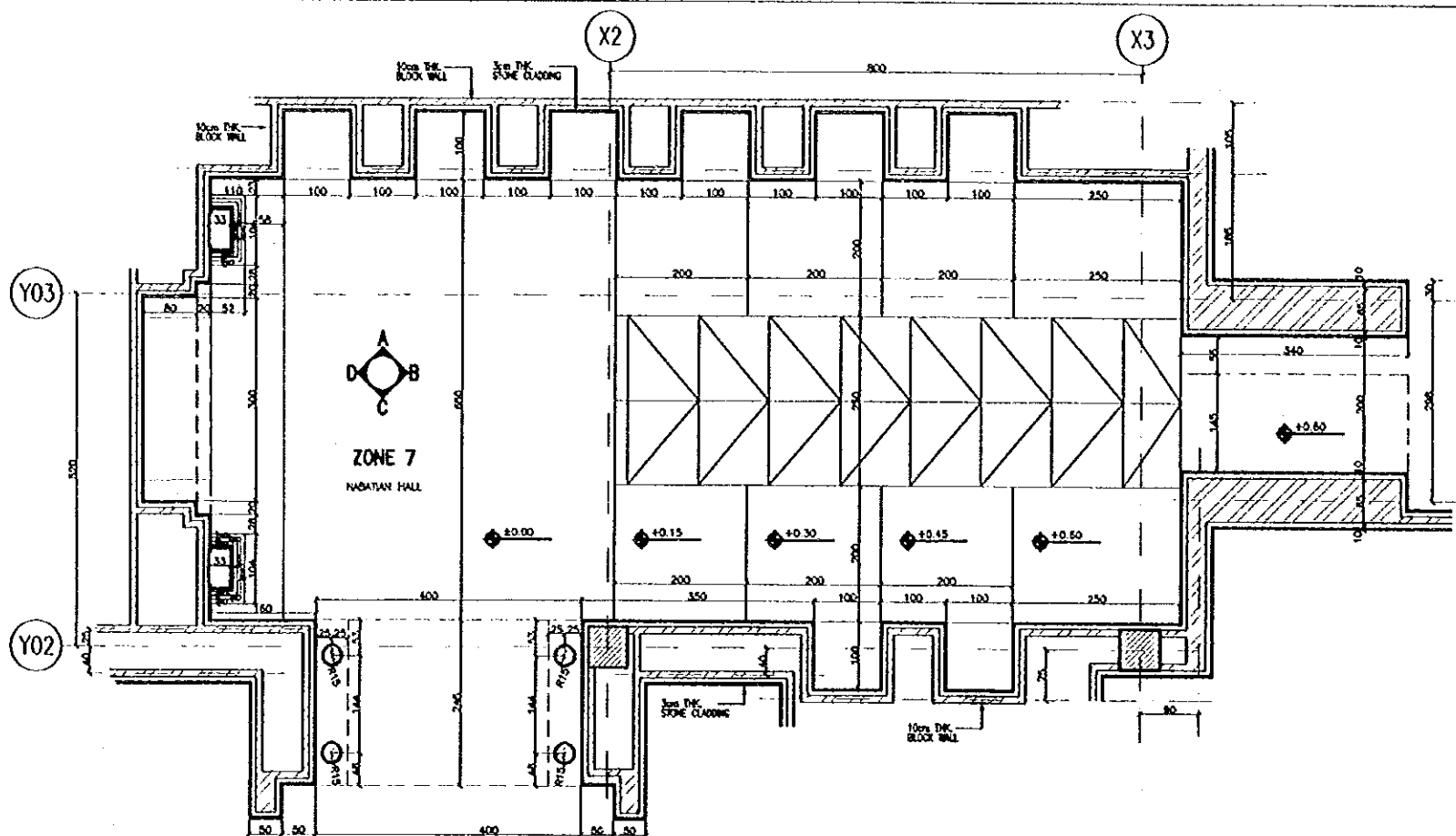


E

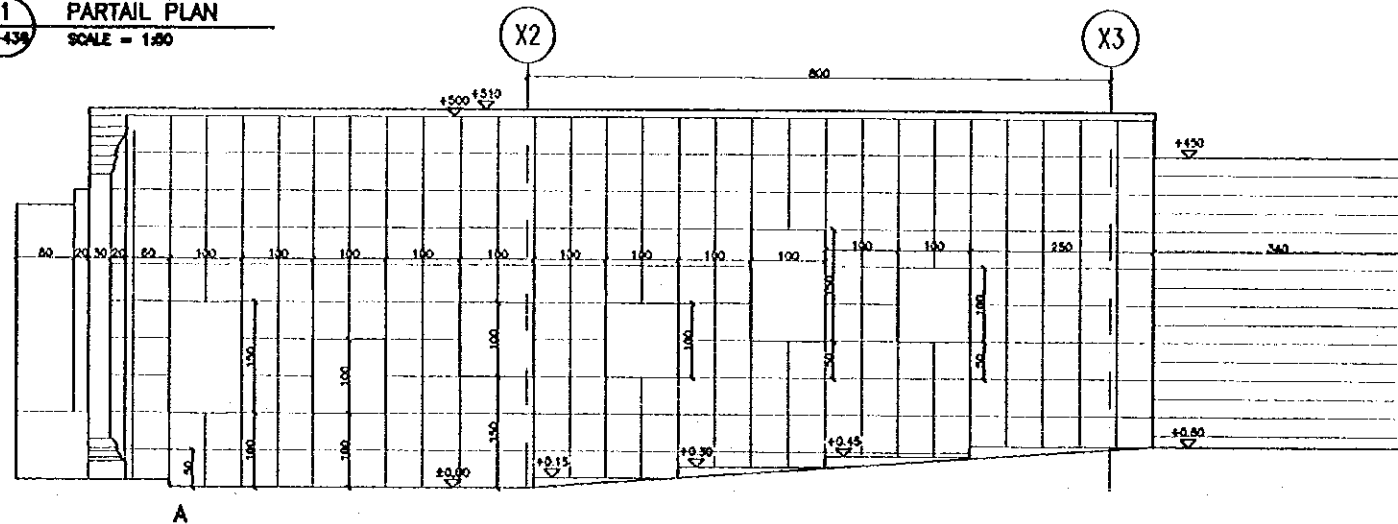
2 INTERNAL ELEVATIONS  
SCALE = 1:80

Note:  
This detailed design has been executed by a team  
of consultants as shown below in accordance with  
the agreement between Japan International  
Cooperation Agency (JICA) and JICA Study Team.

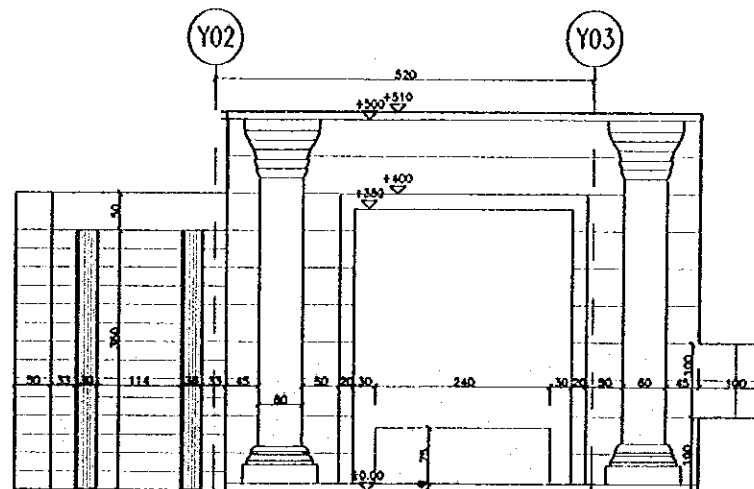
The copyright of this drawing rests with JICA.



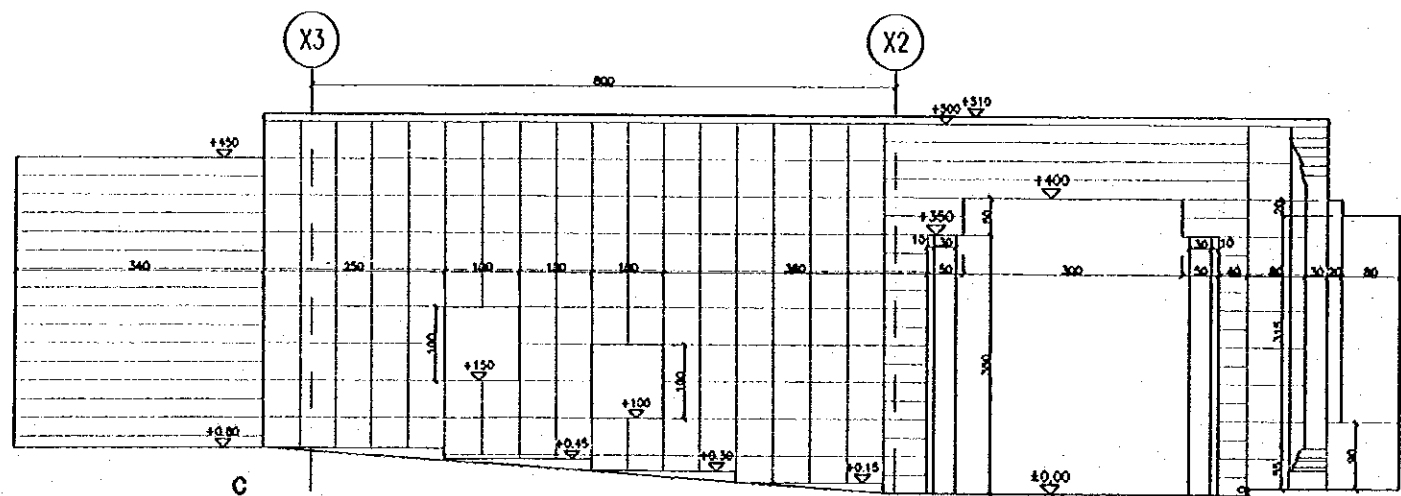
1 PARTIAL PLAN  
A-436 SCALE = 1:80



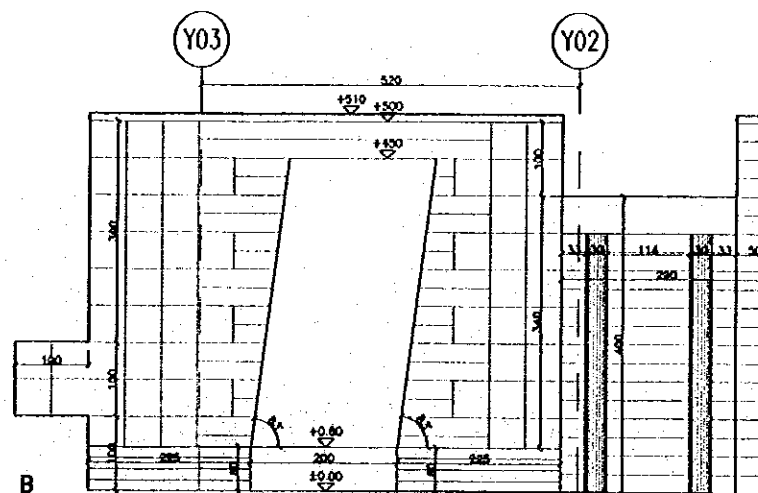
A



D

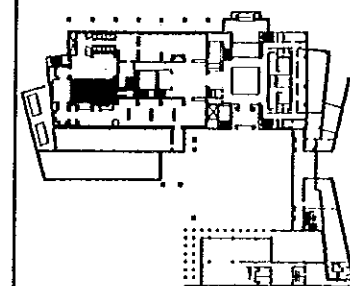


C



B

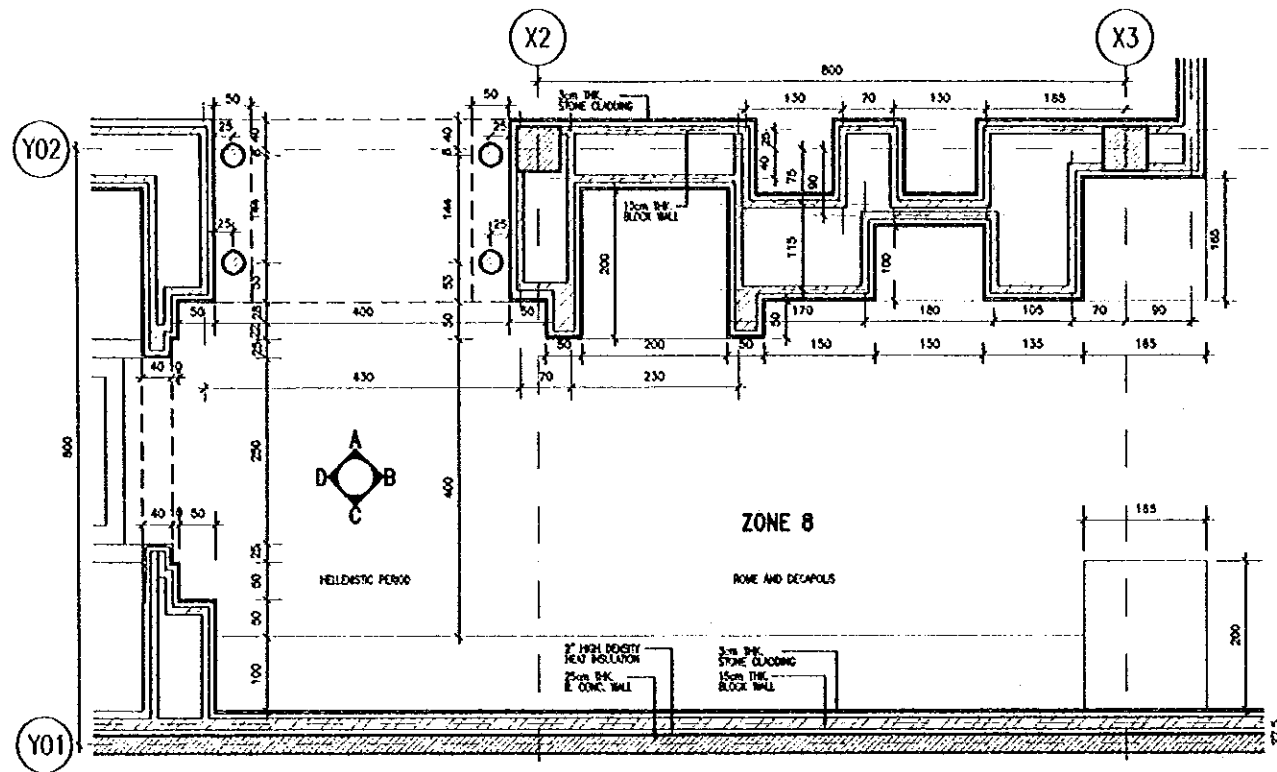
2 INTERNAL ELEVATIONS  
A-436 SCALE = 1:80



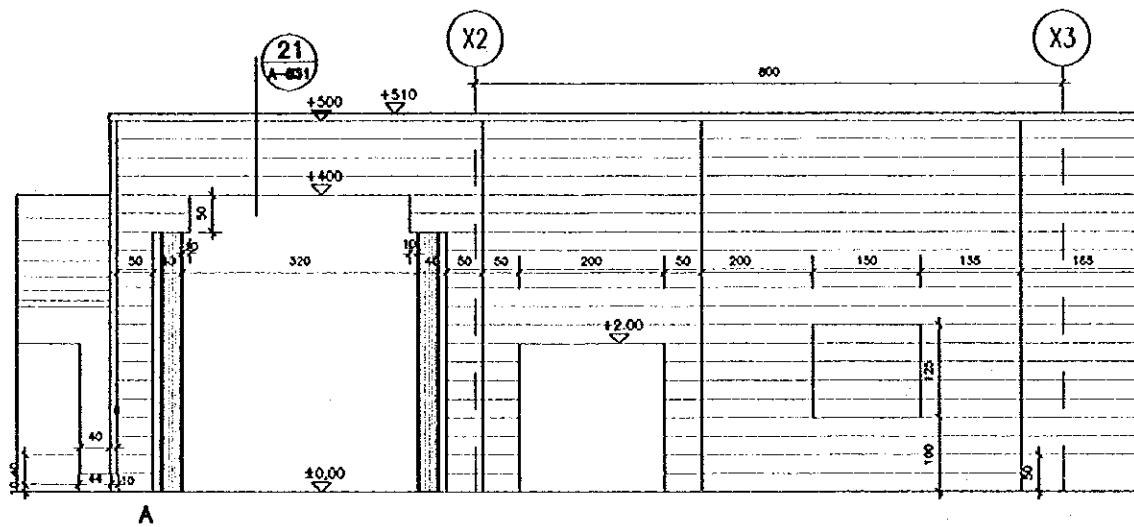
Designed by:  
Japan International Cooperation  
Agency (JICA)  
JICA Study Team:  
Joint Venture of  
Pacific Consultants International and  
Yamashita Sekkel Inc.  
Subcontracted Local Consultant:  
Jafor Tukan and Partners  
Architects and Engineers

Drawing Title:  
**EXHIBITION HALL  
ZONE 7**

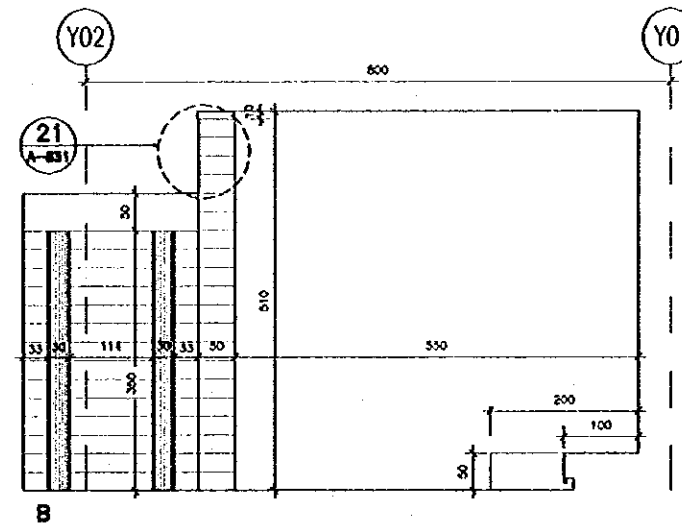
Scale: 1:80 Drawing No.: A-436



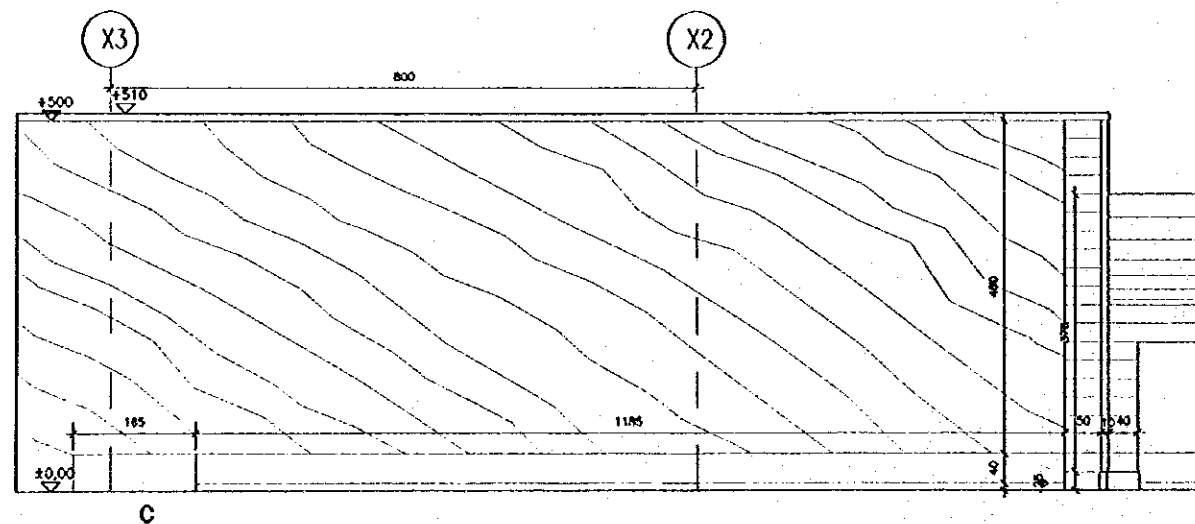
1 PARTIAL PLAN  
A-437 SCALE = 1:50



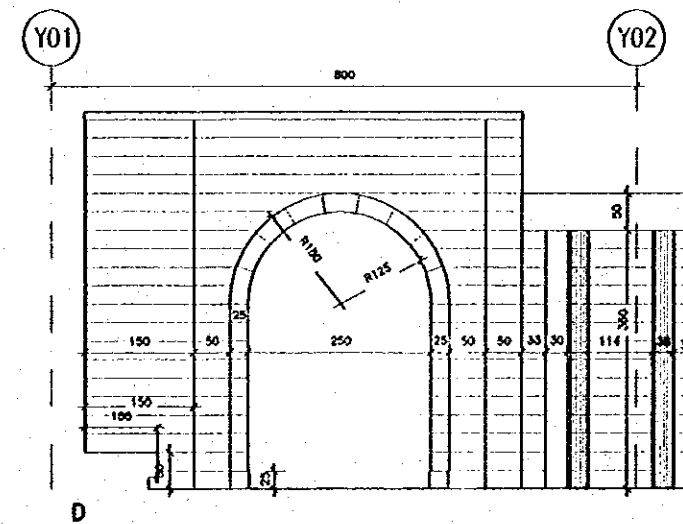
A



B

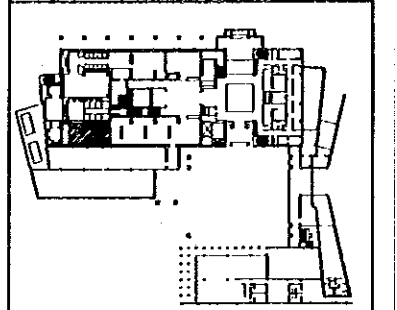


C



D

2 INTERNAL ELEVATIONS  
A-437 SCALE = 1:50



Designed by:

Japan International Cooperation Agency (JICA)

JICA Study Team:

Joint Venture of Pacific Consultants International and Yamasita Sekkei Inc.

Subcontracted Local Consultant:

Jafar Tukan and Partners Architects and Engineers

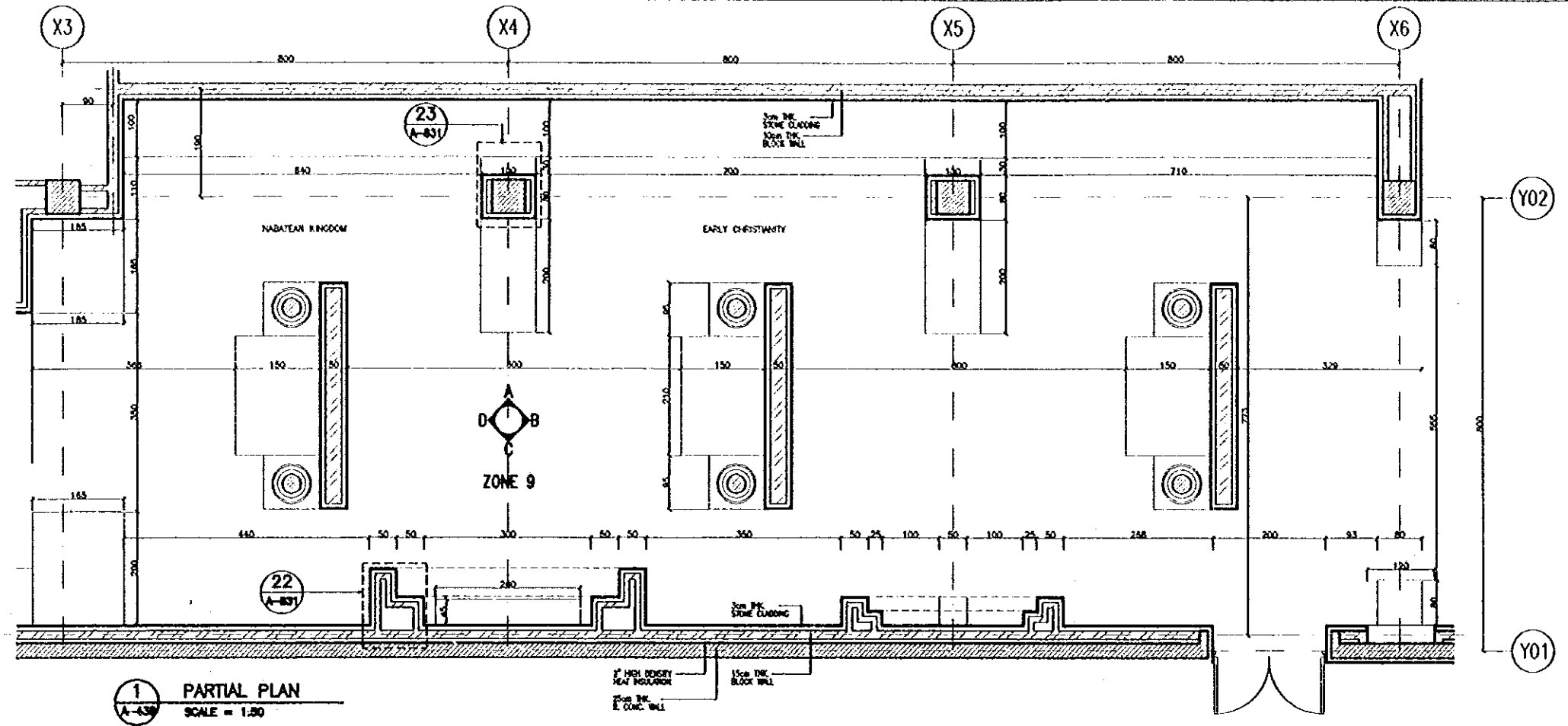
Drawing Title:

EXHIBITION HALL  
ZONE 8

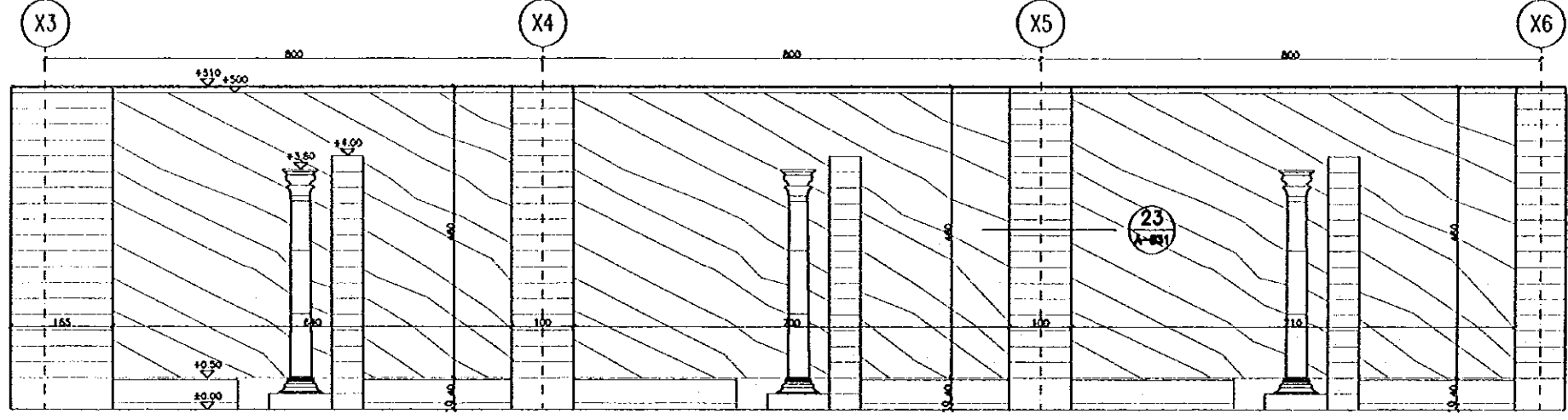
Scale:  
1:50

Drawing No:  
A-437

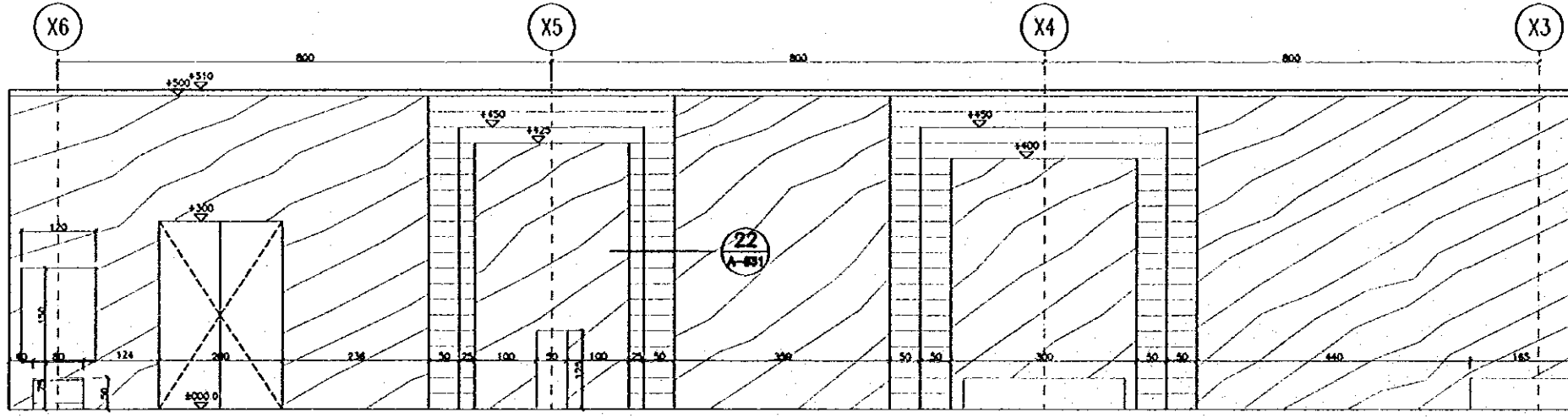
Note:  
This detailed design has been executed by a team of consultants as shown below in accordance with the agreement between Japan International Cooperation Agency (JICA) and JICA Study Team.  
The copyright of this drawing rests with JICA.



**1 PARTIAL PLAN**  
SCALE = 1:50

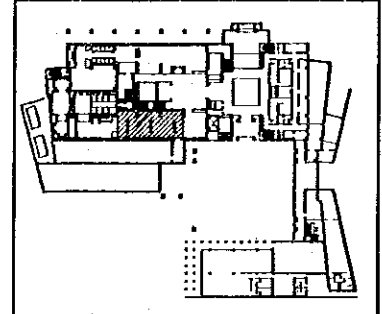


A



C

**2 INTERNAL ELEVATIONS**  
SCALE = 1:50



Designed by:  
Japan International Cooperation Agency (JICA)  
JICA Study Team:  
Joint Venture of Pacific Consultants International and Yamashita Sekkei Inc.  
Subcontracted Local Consultant:  
Jafor Tukan and Partners Architects and Engineers

Drawing Title:  
**EXHIBITION HALL ZONE 9 (1)**

Scale: 1:50 Drawing No.: A-438

05

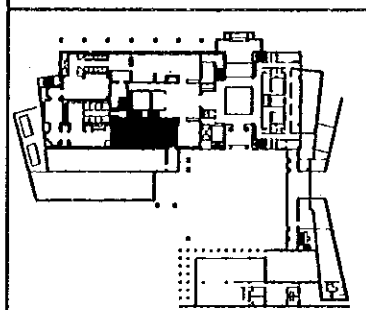
Sub Project:

**NATIONAL MUSEUM**

Note:

This detailed design has been executed by a team of consultants as shown below in accordance with the agreement between Japan International Cooperation Agency (JICA) and JICA Study Team.

The copyright of this drawing rests with JICA.



Designed by:

Japan International Cooperation Agency (JICA)

JICA Study Team:

Joint Venture of Pacific Consultants International and Yamasita Sekkei Inc.

Subcontracted Local Consultant:

Jafar Tukan and Partners Architects and Engineers

Drawing Title:

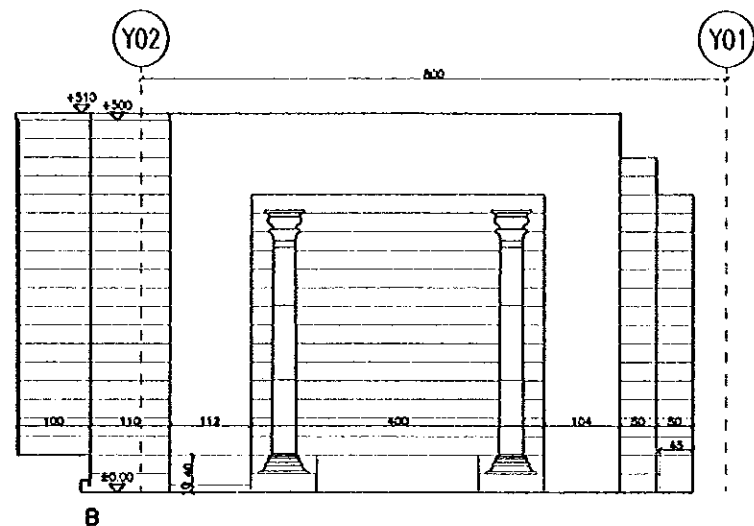
**EXHIBITION HALL  
ZONE 9 (2)**

Scale:

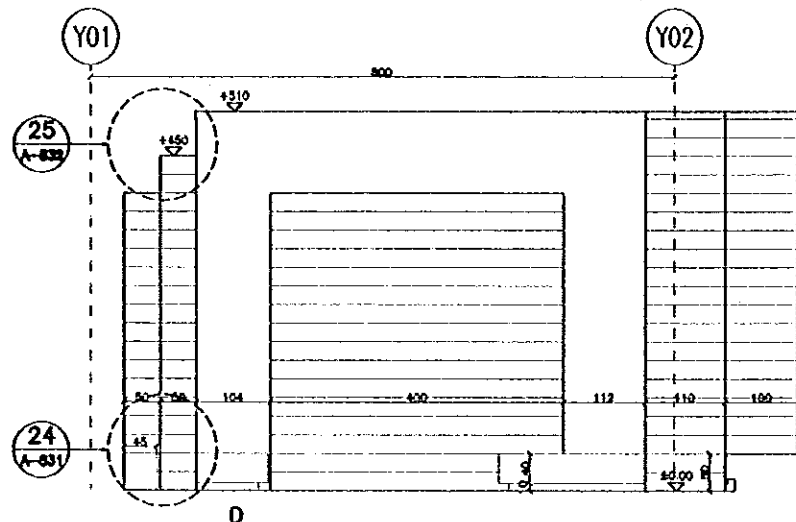
1:50

Drawing No.:

A-439

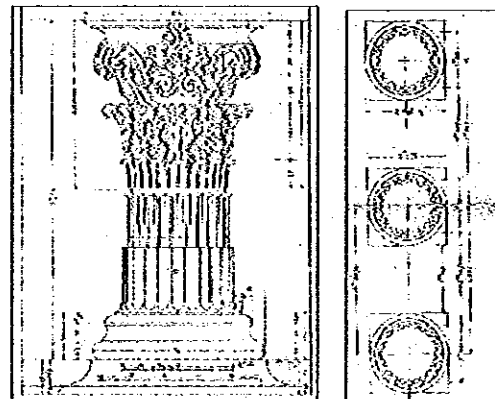
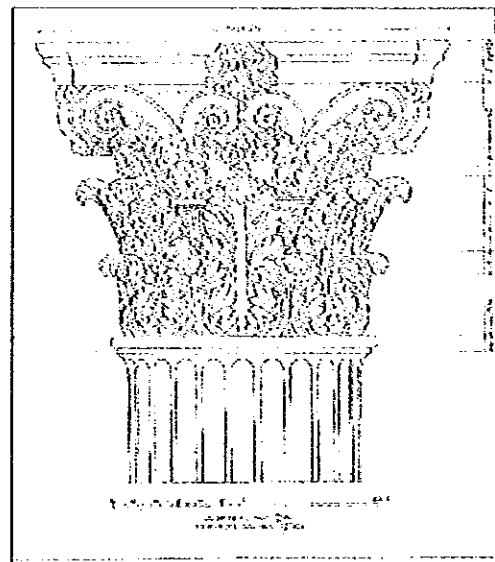


B

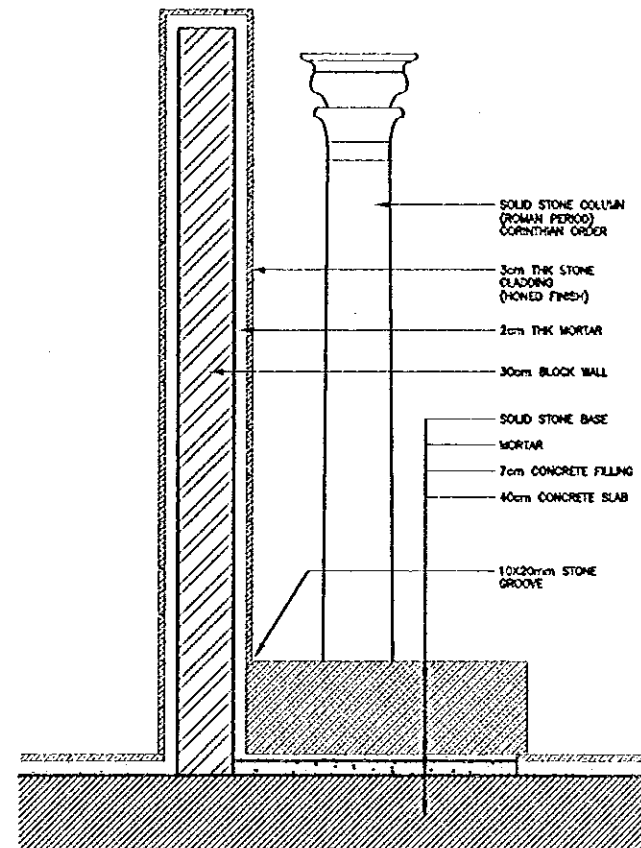


D

**1** INTERNAL ELEVATIONS  
A-439 SCALE = 1:50

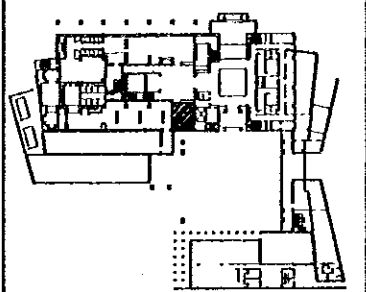


**2** DETAIL OF CORINTHIAN ORDER  
A-439 SCALE = 1:20



33

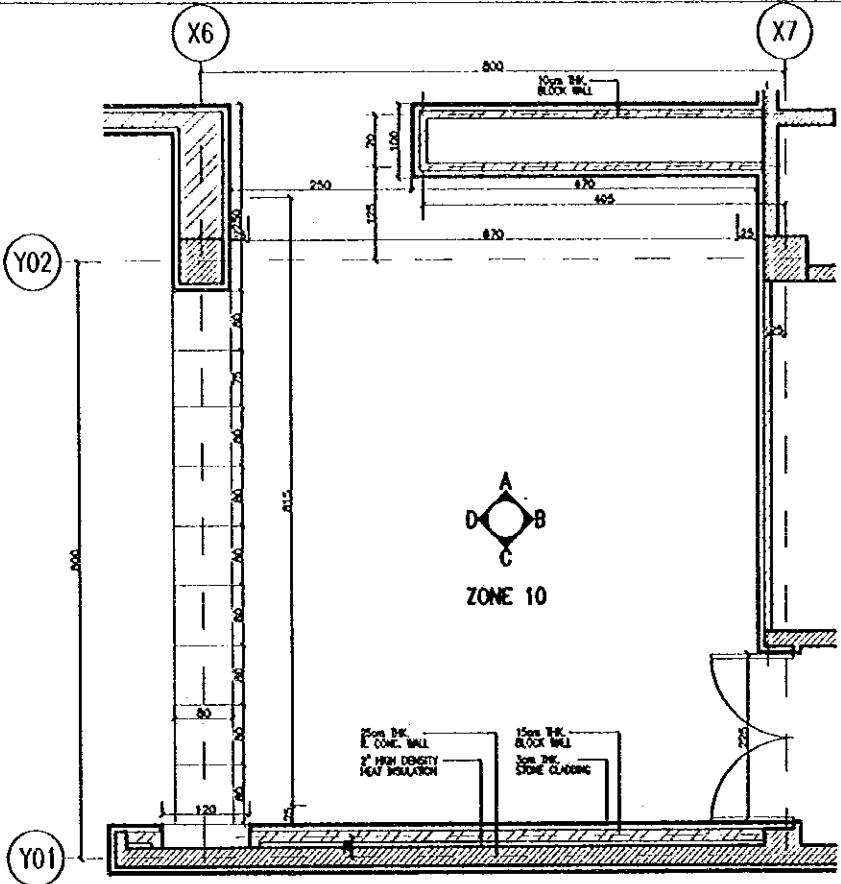
Note:  
This detailed design has been executed by a team  
of consultants as shown below in accordance with  
the agreement between Japan International  
Cooperation Agency (JICA) and JICA Study Team.  
  
The copyright of this drawing rests with JICA.



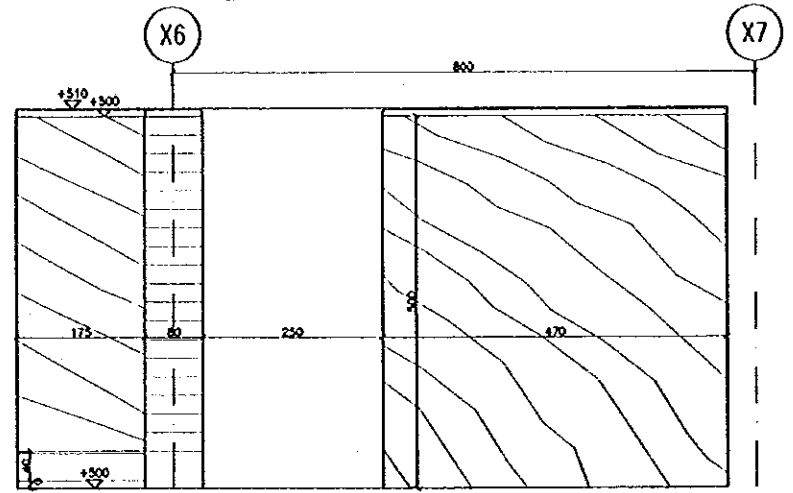
Designed by:  
Japan International Cooperation  
Agency (JICA)  
  
JICA Study Team:  
Joint Venture of  
Pacific Consultants International and  
Yamasita Sekket Inc.  
  
Subcontracted Local Consultant:  
Jafar Tukan and Partners  
Architects and Engineers

Drawing Title:  
**EXHIBITION HALL  
ZONE 10**

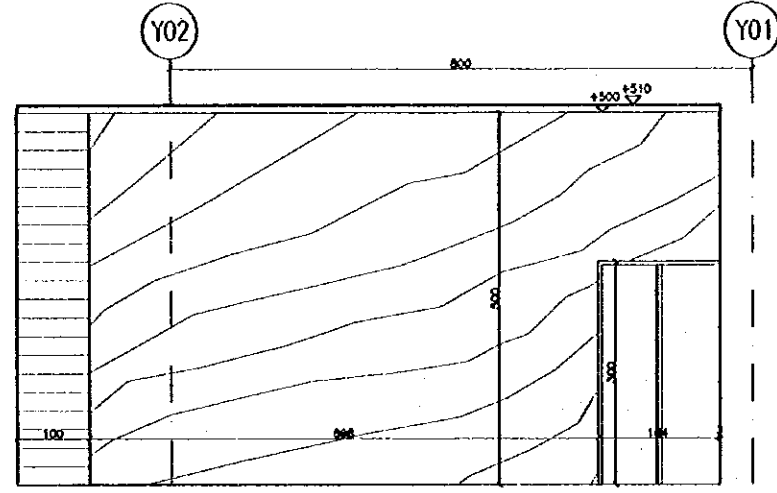
Scale: 1:80 Drawing No: A-440



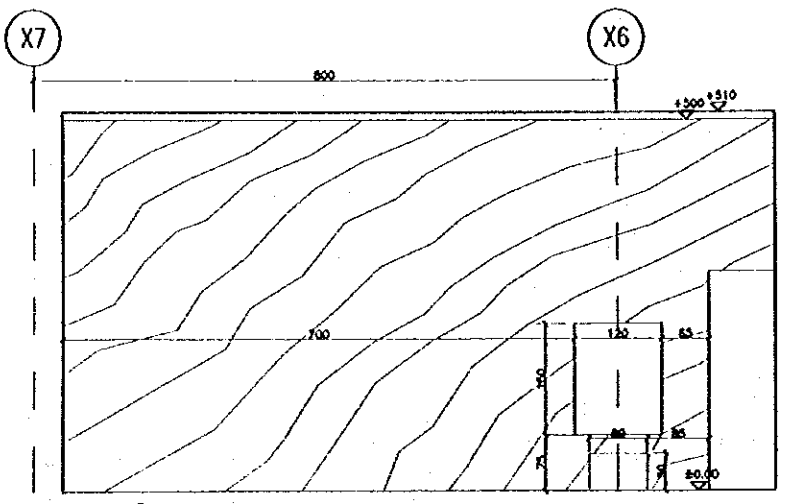
1 PARTIAL PLAN  
A-440 SCALE = 1:80



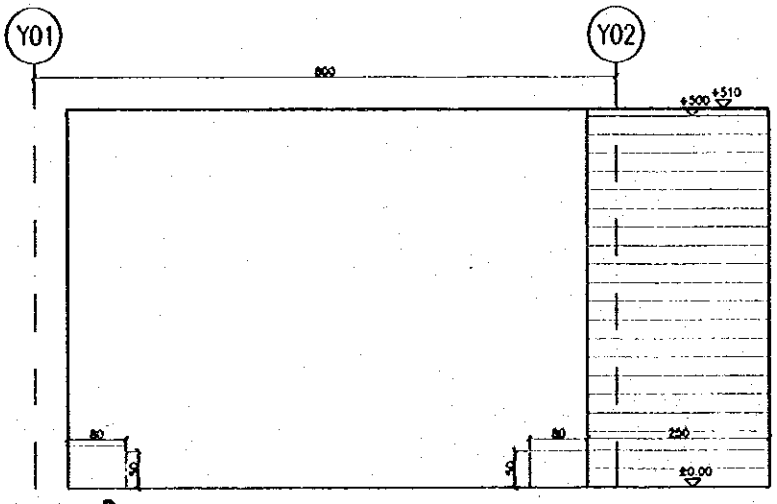
A



B



C

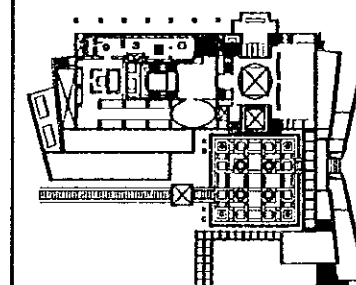


D

2 INTERNAL ELEVATIONS  
A-440 SCALE = 1:80

57

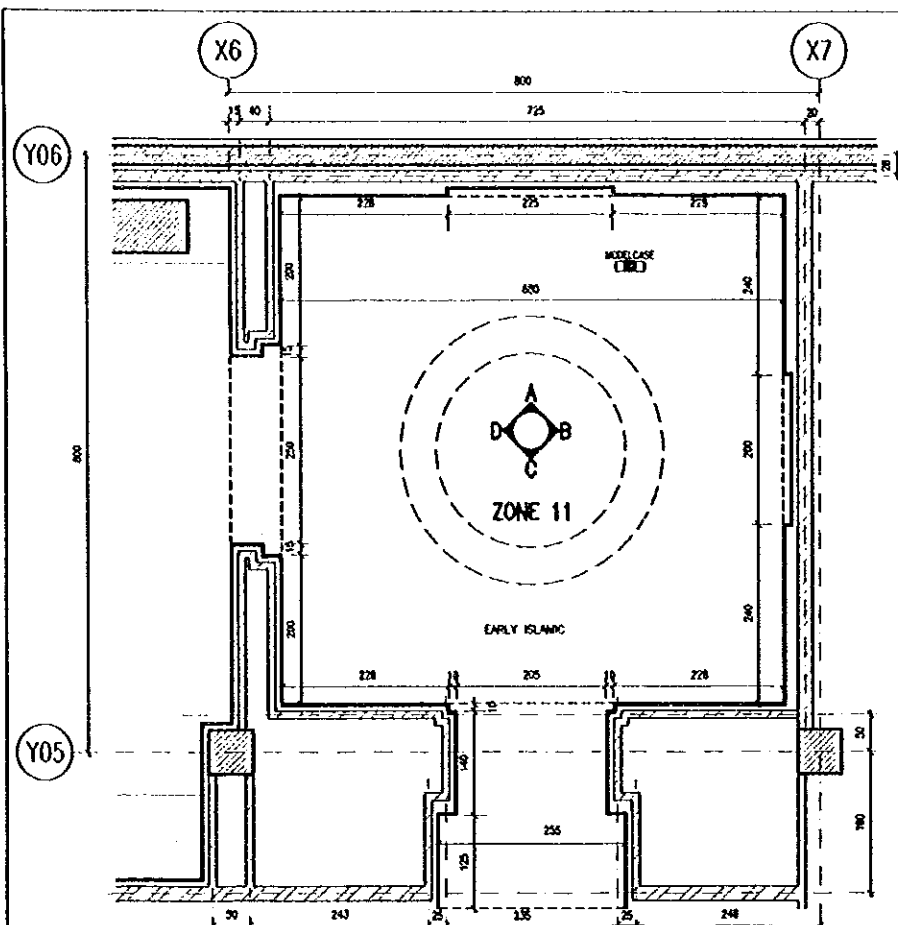
Note:  
This detailed design has been executed by a team  
of consultants as shown below in accordance with  
the agreement between Japan International  
Cooperation Agency (JICA) and JICA Study Team.  
The copyright of this drawing rests with JICA.



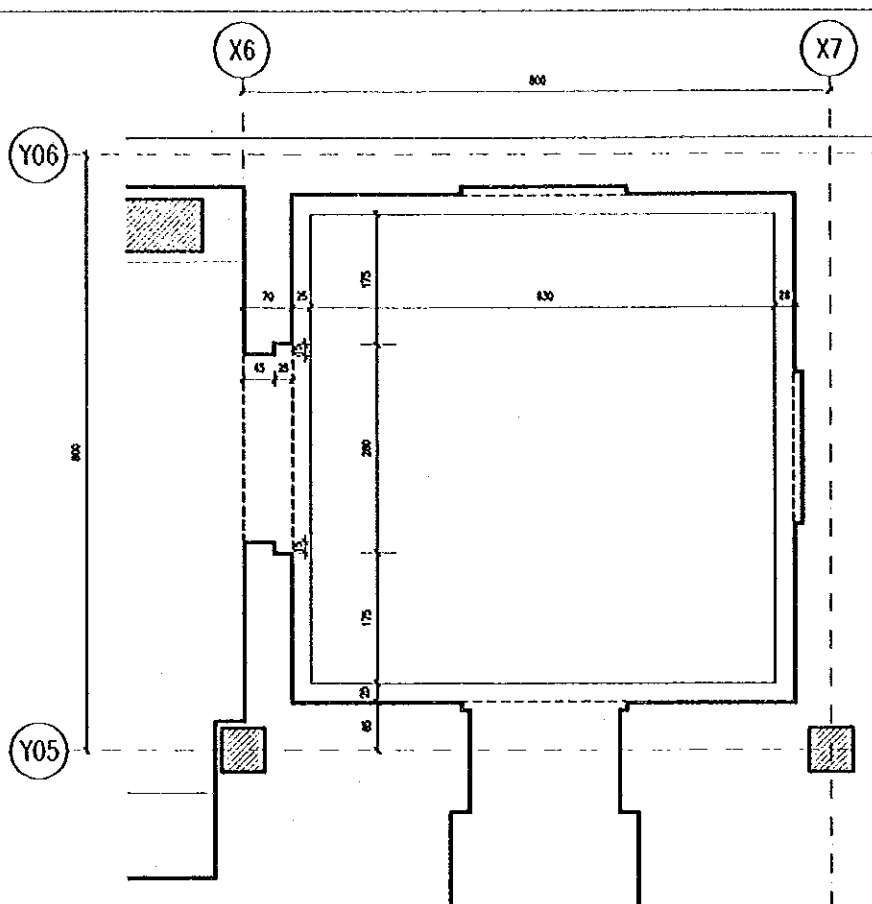
Designed by:  
Japan International Cooperation  
Agency (JICA)  
JICA Study Team:  
Joint Venture of  
Pacific Consultants International and  
Yamasita Sekkel Inc.  
Subcontracted Local Consultant:  
Jafor Tukon and Partners  
Architects and Engineers

Drawing Title:  
**EXHIBITION HALL  
ZONE 11**

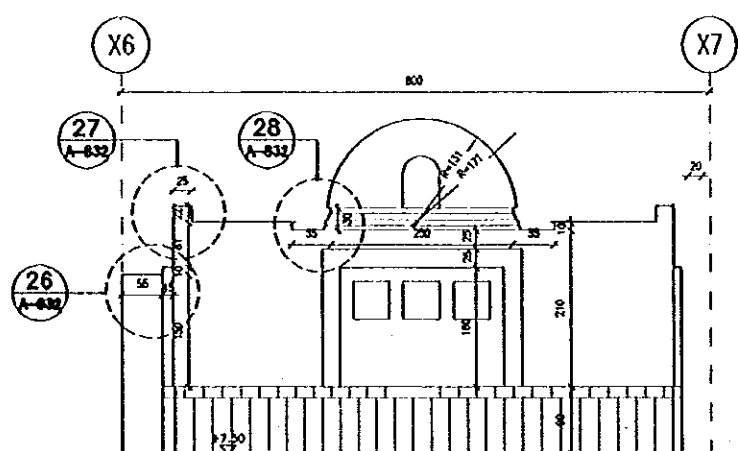
Scale: 1:50 Drawing No.: A-441



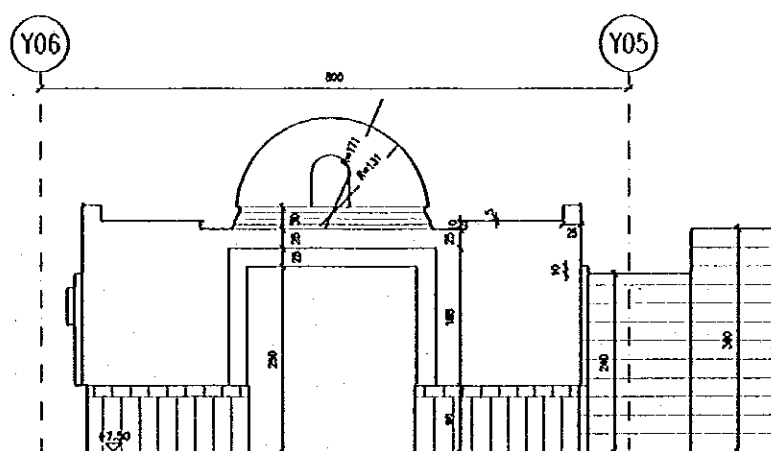
1 PARTIAL PLAN  
A-441 SCALE = 1:50



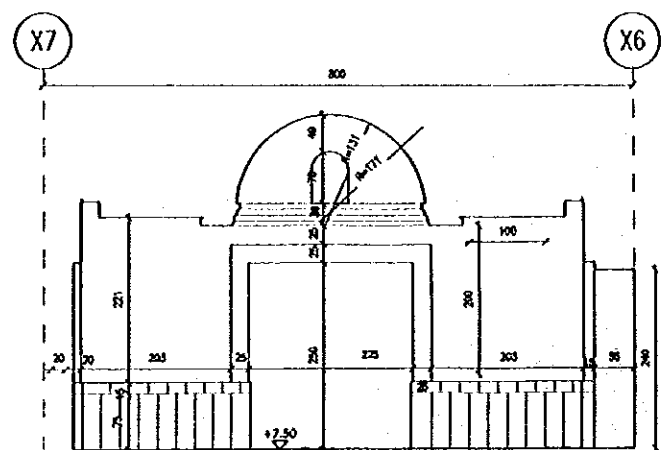
2 REFLECTED CEILING PLAN  
A-441 SCALE = 1:50



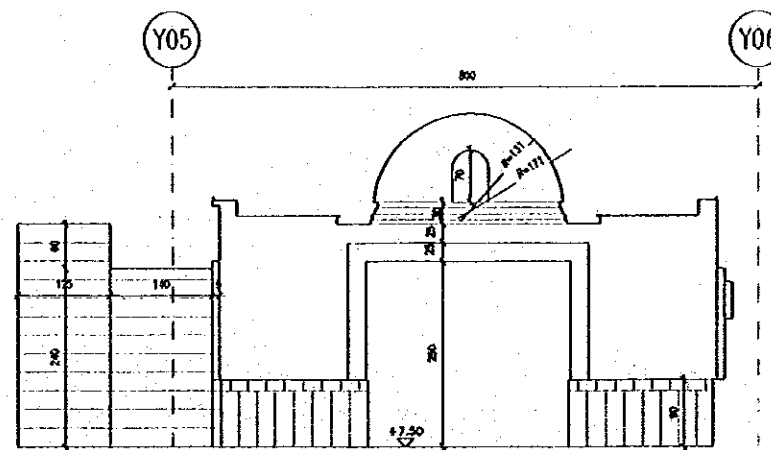
A



B



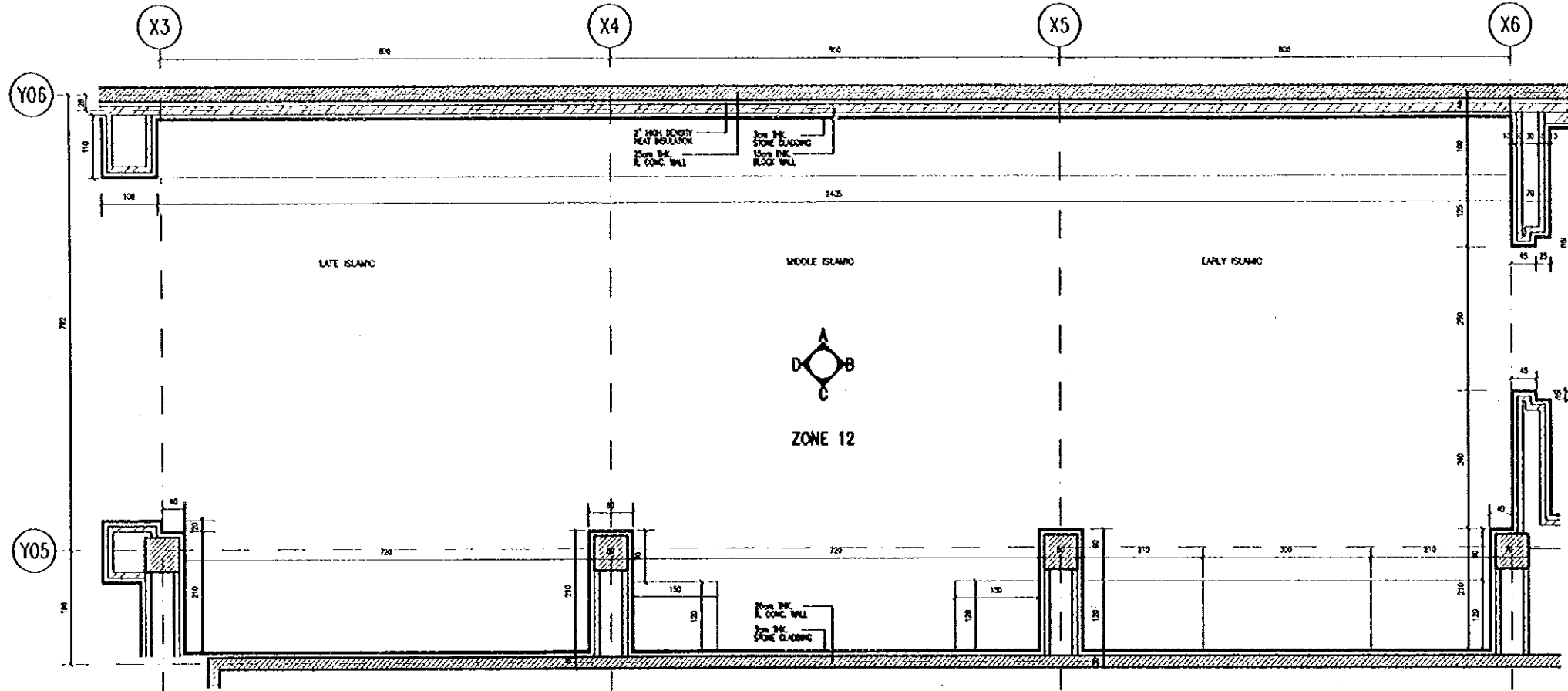
C



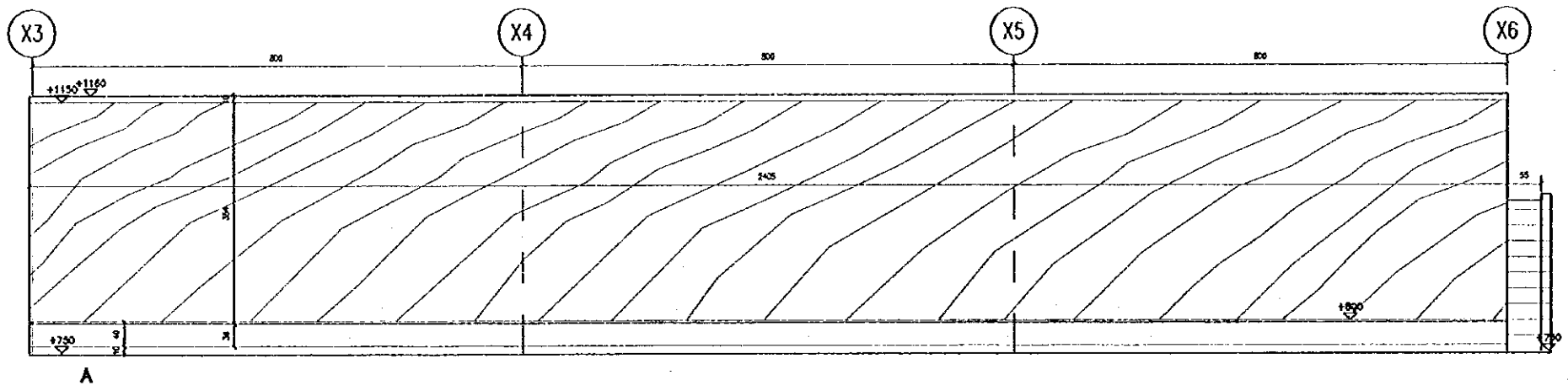
D

3 INTERNAL ELEVATIONS  
A-441 SCALE = 1:50

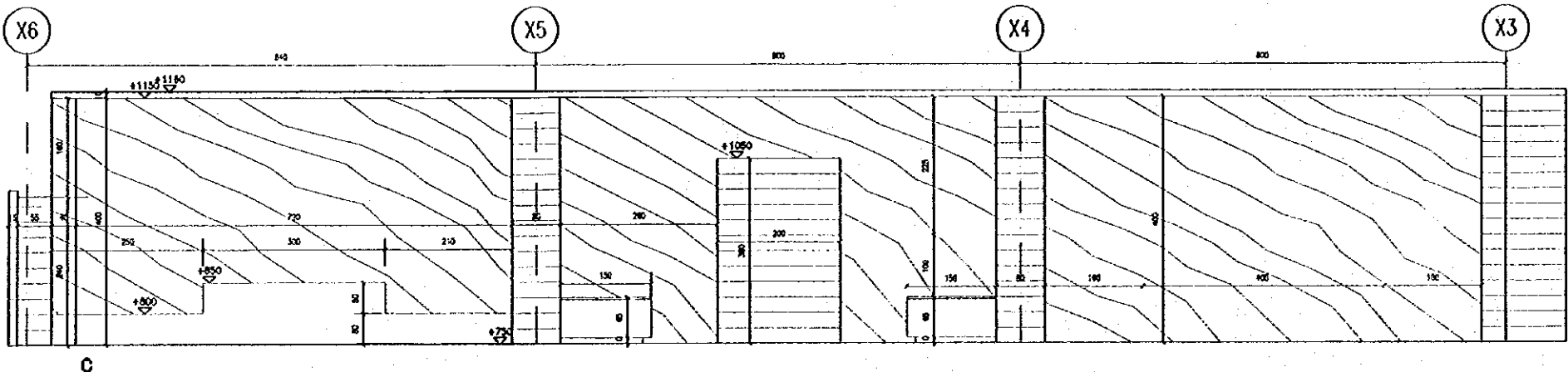




1 PARTIAL PLAN  
A-442 SCALE = 1:80



A



C

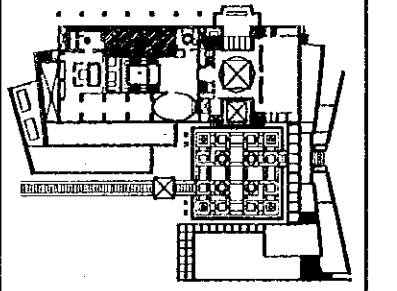
2 INTERNAL ELEVATIONS  
A-442 SCALE = 1:80

Tourism Sector Development Project  
in the Hashemite Kingdom of Jordan

The Government of  
The Hashemite Kingdom of Jordan  
The Ministry of Tourism and Antiquities  
The Ministry of Planning

Sub-Project:  
NATIONAL MUSEUM

Note:  
This detailed design has been executed by a team  
of consultants as shown below in accordance with  
the agreement between Japan International  
Cooperation Agency (JICA) and JICA Study Team.  
  
The copyright of this drawing rests with JICA.



Designed by:  
Japan International Cooperation  
Agency (JICA)  
JICA Study Team:  
Joint Venture of  
Pacific Consultants International and  
Yamasa Sekel Inc.  
Subcontracted Local Consultant:  
Jafar Tukon and Partners  
Architects and Engineers

Drawing Title:  
EXHIBITION HALL  
ZONE 12 (1)

Scale: 1:80 Drawing No.: A-442

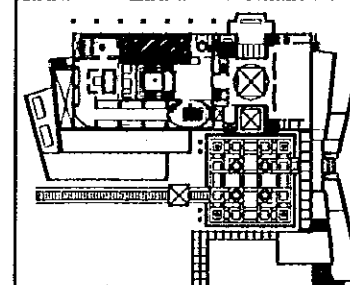
Sub-Project:

NATIONAL MUSEUM

Note:

This detailed design has been executed by a team  
of consultants as shown below in accordance with  
the agreement between Japan International  
Cooperation Agency (JICA) and JICA Study Team.

The copyright of this drawing rests with JICA.



Designed by:

Japan International Cooperation  
Agency (JICA)

JICA Study Team:

Joint Venture of  
Pacific Consultants International and  
Yamashita Sekkei Inc.

Subcontracted Local Consultant:

Jafar Tukán and Partners  
Architects and Engineers

Drawing Title:

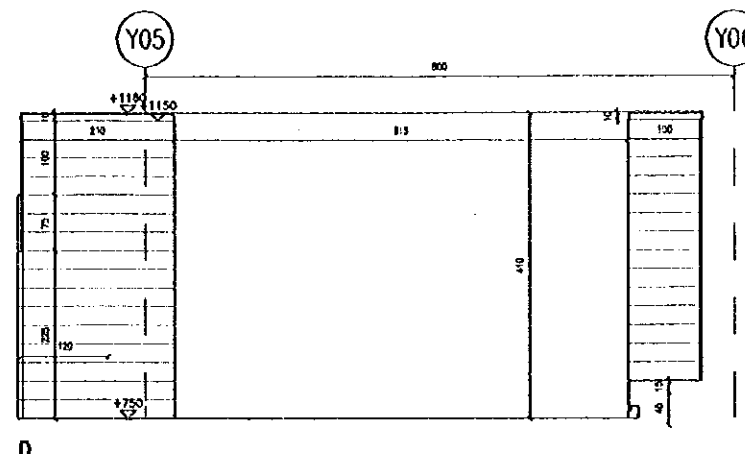
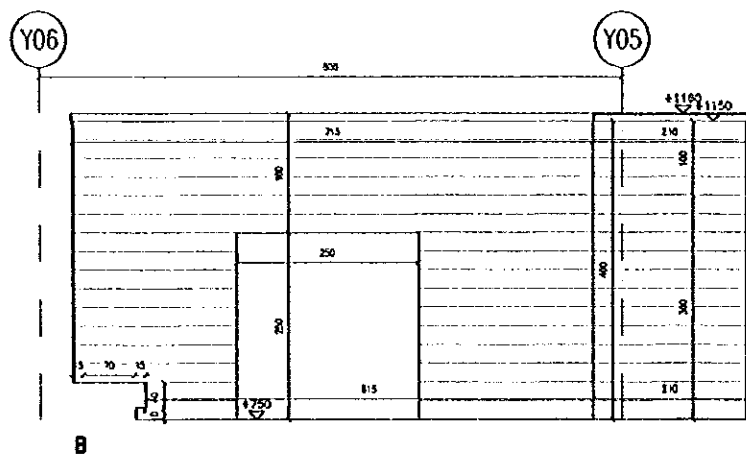
EXHIBITION HALL  
ZONE 12 (2)

Scale:

1:50

Drawing No.:

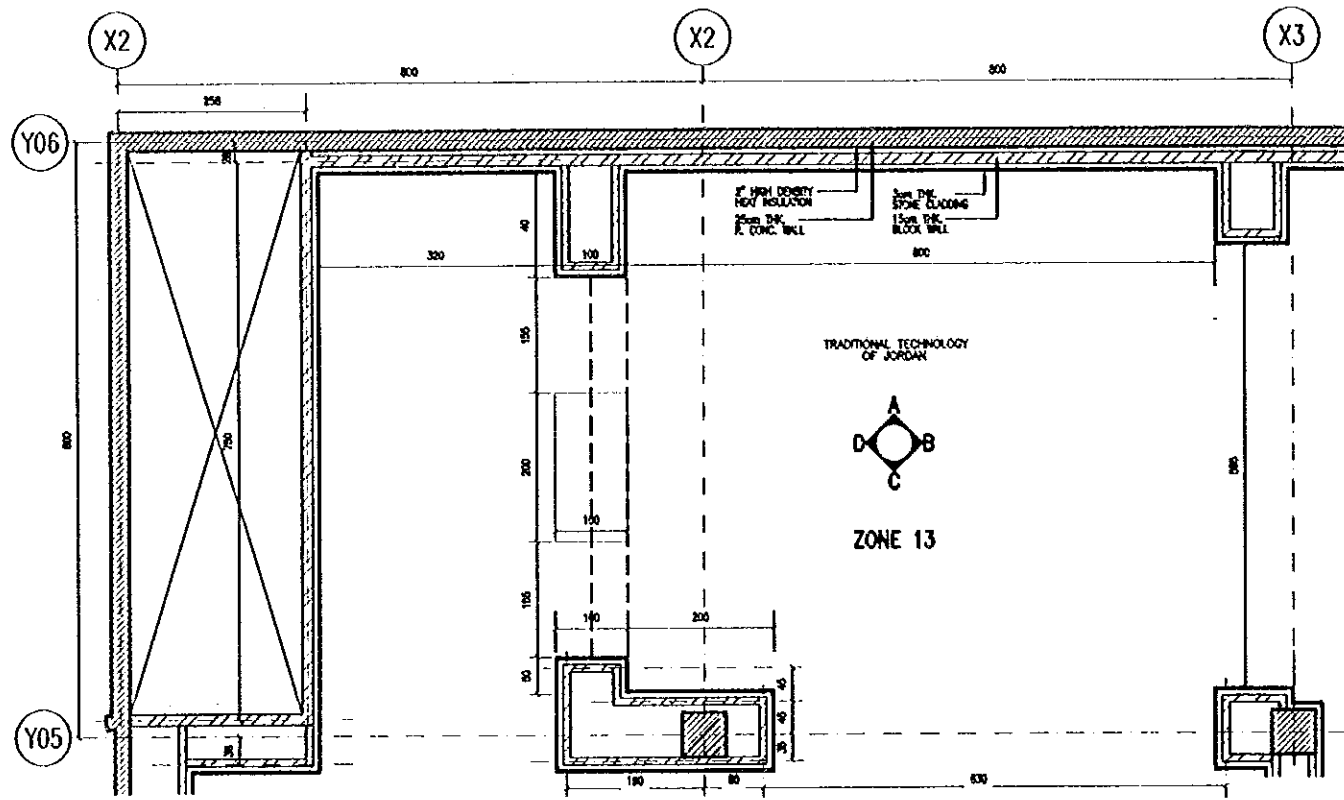
A-443



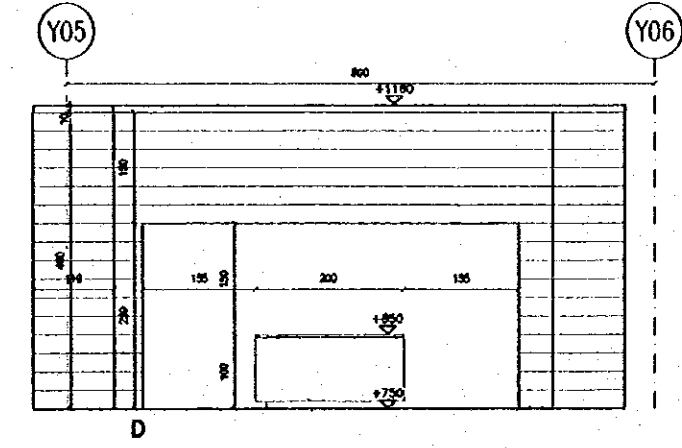
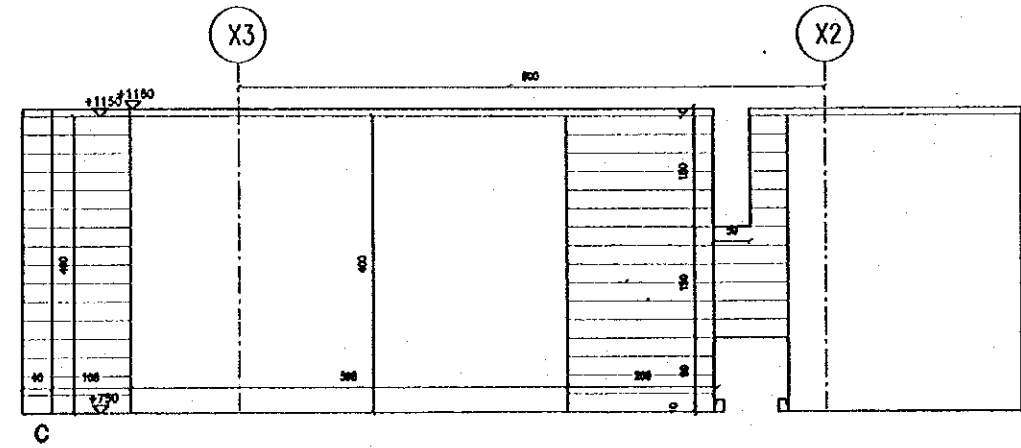
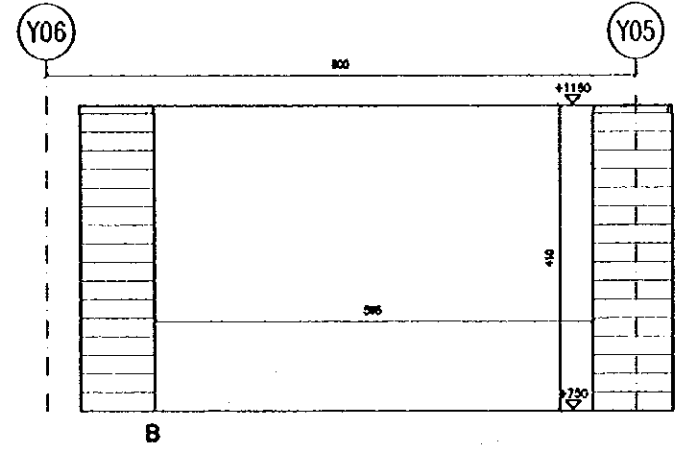
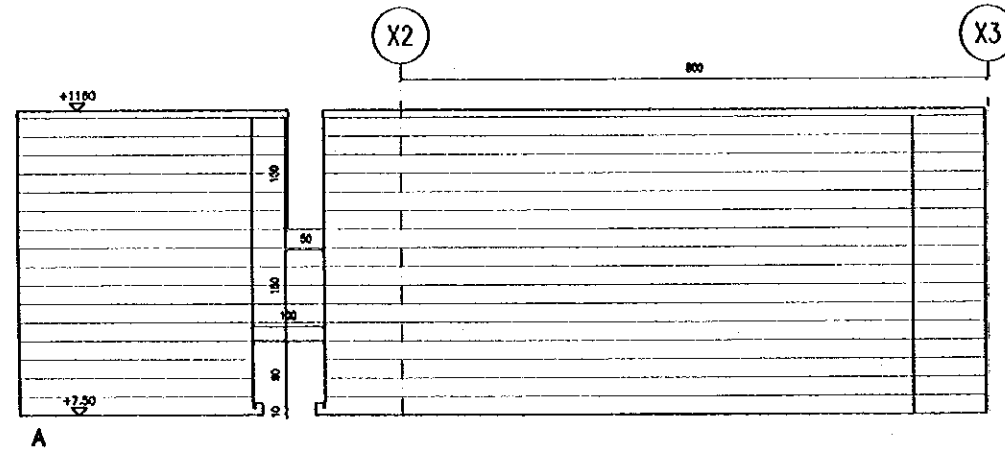
1 INTERNAL ELEVATIONS  
A-443 SCALE = 1:50

02

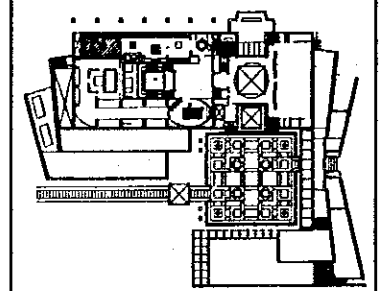
Note:  
This detailed design has been executed by a team of consultants as shown below in accordance with the agreement between Japan International Cooperation Agency (JICA) and JICA Study Team.  
The copyright of this drawing rests with JICA.



**1 PARTIAL PLAN**  
A-444  
SCALE = 1:50



**2 INTERNAL ELEVATIONS**  
A-444  
SCALE = 1:50

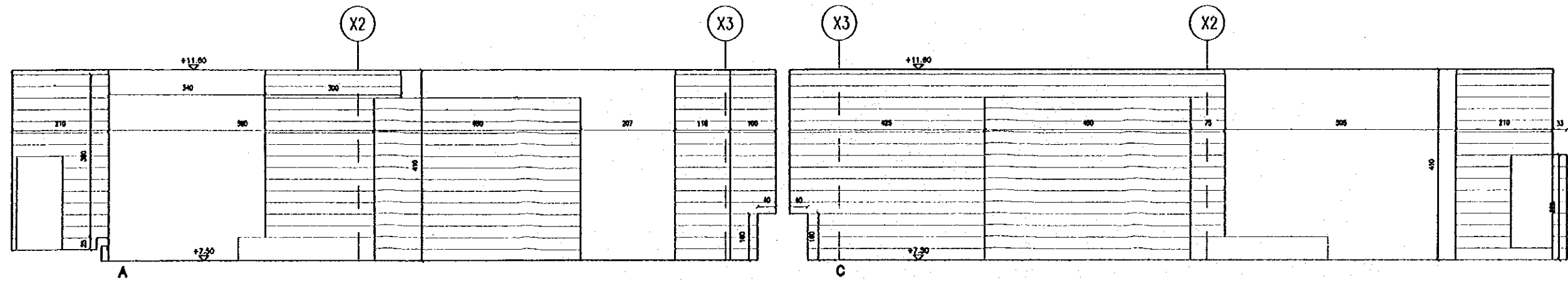
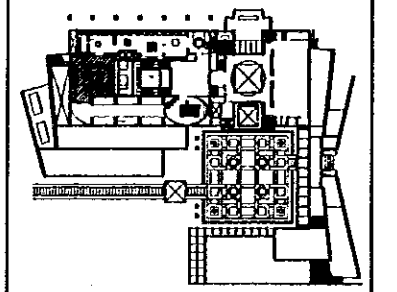
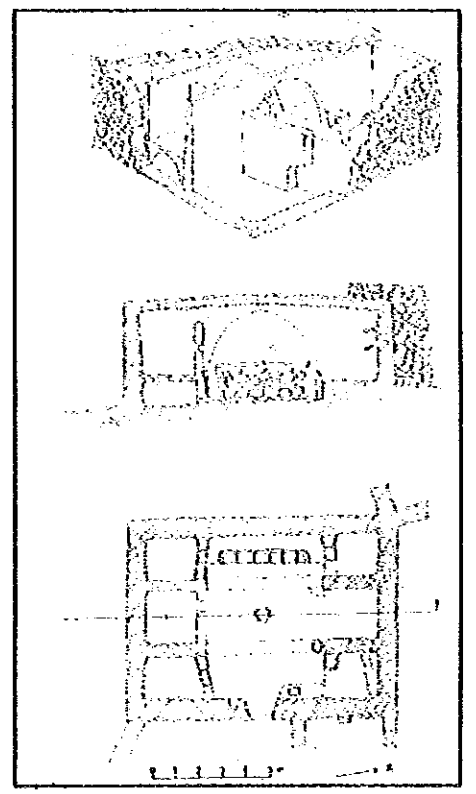
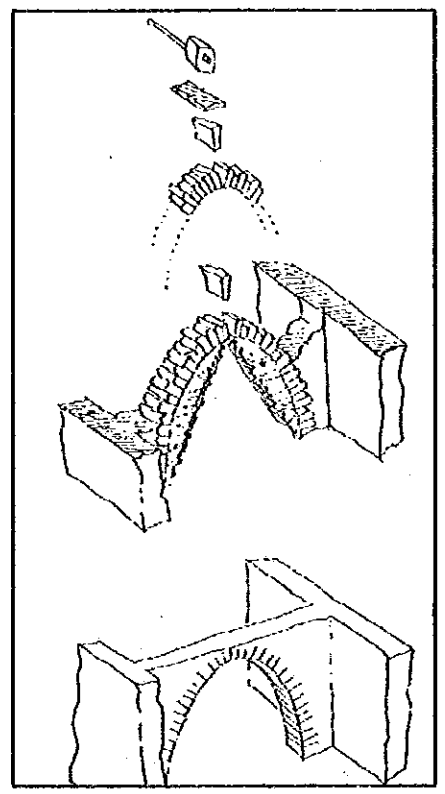
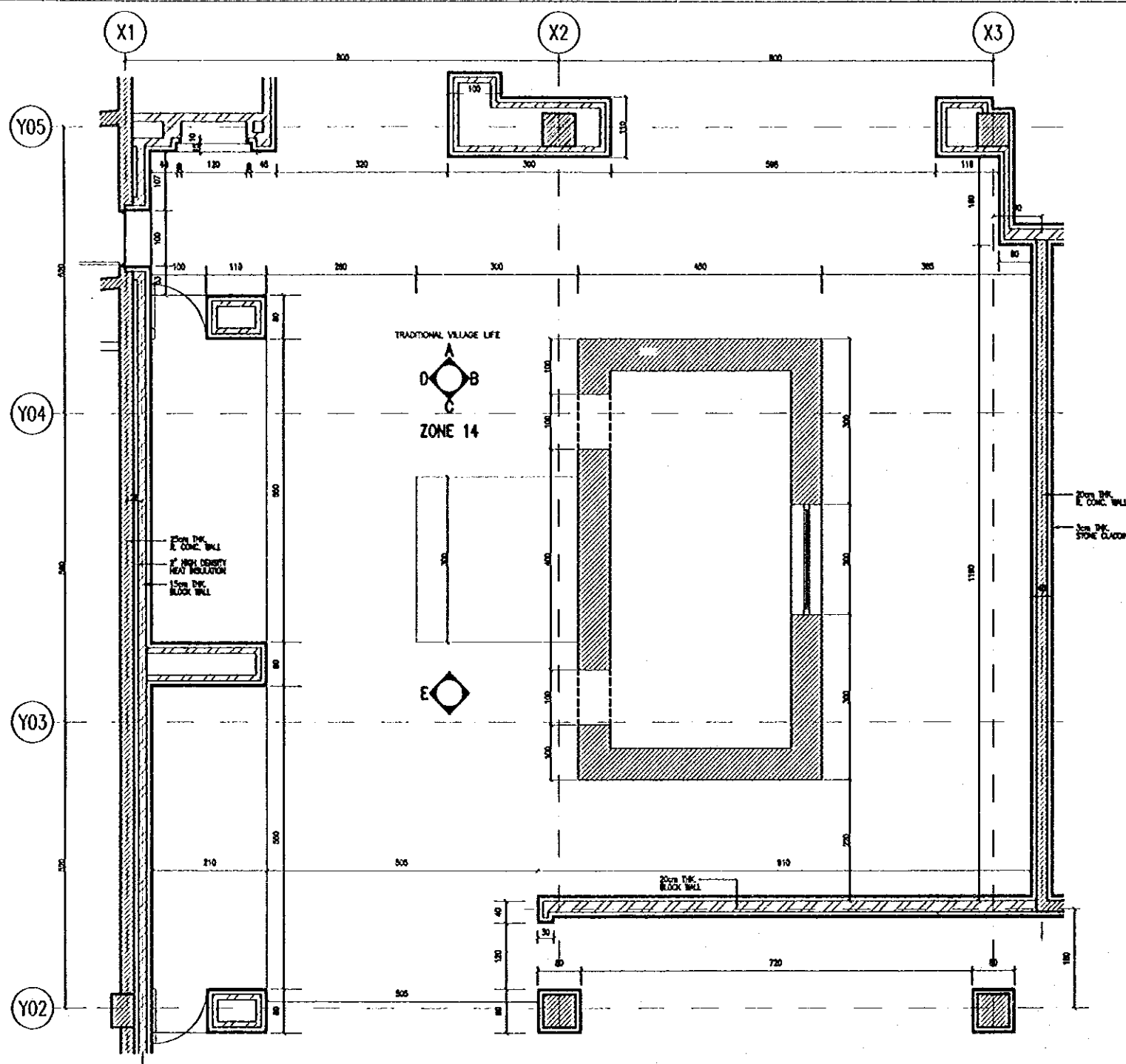


Designed by:  
Japan International Cooperation Agency (JICA)  
JICA Study Team:  
Joint Venture of Pacific Consultants International and Yamasita Sekkei Inc.  
Subcontracted Local Consultant:  
Jafar Tukan and Partners Architects and Engineers

Drawing Title:  
**EXHIBITION HALL  
ZONE 13**

Scale: 1:50  
Drawing No.: A-444

Note:  
This detailed design has been executed by a team  
of consultants as shown below in accordance with  
the agreement between Japan International  
Cooperation Agency (JICA) and JICA Study Team.  
  
The copyright of this drawing rests with JICA.



2 INTERNAL ELEVATIONS  
SCALE = 1:200

Designed by:  
Japan International Cooperation  
Agency (JICA)  
  
JICA Study Team:  
Joint Venture of  
Pacific Consultants International and  
Yamashita Sekkel Inc.  
  
Subcontracted Local Consultant:  
Jafar Tukon and Partners  
Architects and Engineers

Drawing Title:  
**EXHIBITION HALL  
ZONE 14 (1)**

Scale: 1:200 Drawing No.: A-445

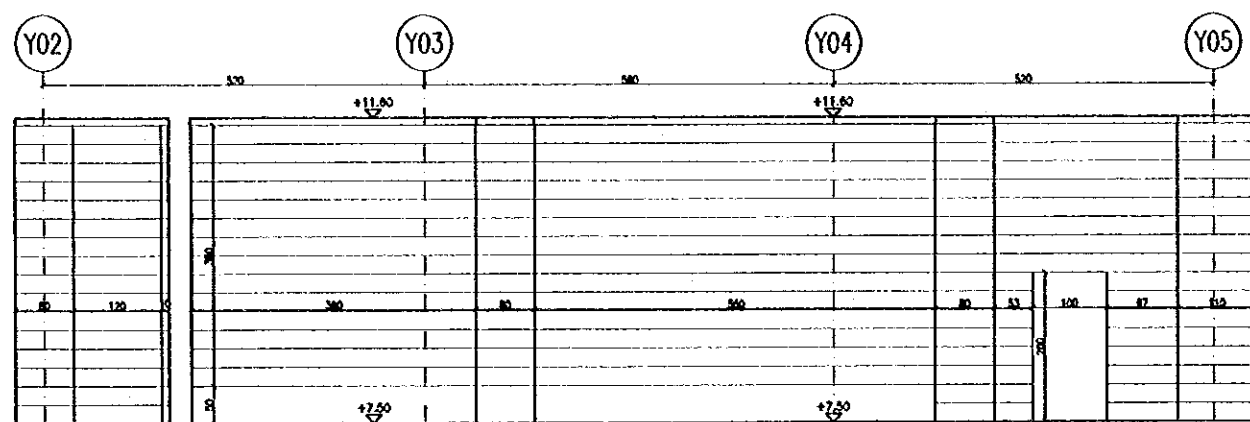
Sub-Project:

NATIONAL MUSEUM

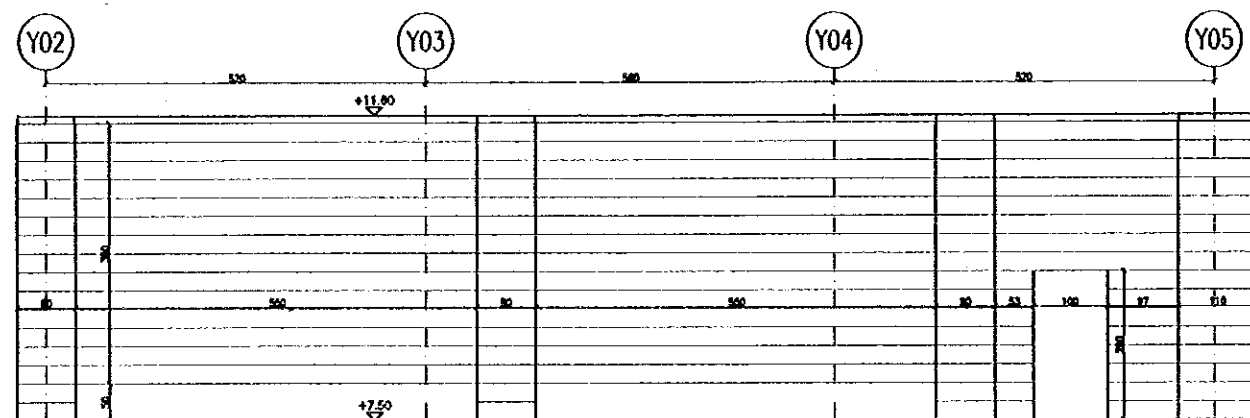
Note:

This detailed design has been executed by a team of consultants as shown below in accordance with the agreement between Japan International Cooperation Agency (JICA) and JICA Study Team.

The copyright of this drawing rests with JICA.

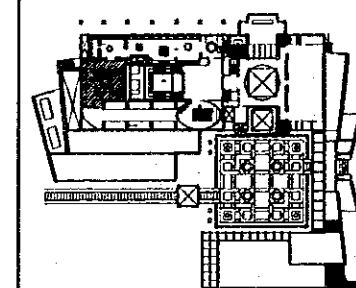


B



D

1 INTERNAL ELEVATIONS  
A-448 SCALE = 1:50



Designed by:

Japan International Cooperation Agency (JICA)

JICA Study Team:

Joint Venture of  
Pacific Consultants International and  
Yamasa Sekkei Inc.

Subcontracted Local Consultant:

Jafar Tukan and Partners  
Architects and Engineers

Drawing Title:

EXHIBITION HALL  
ZONE 14 (2)

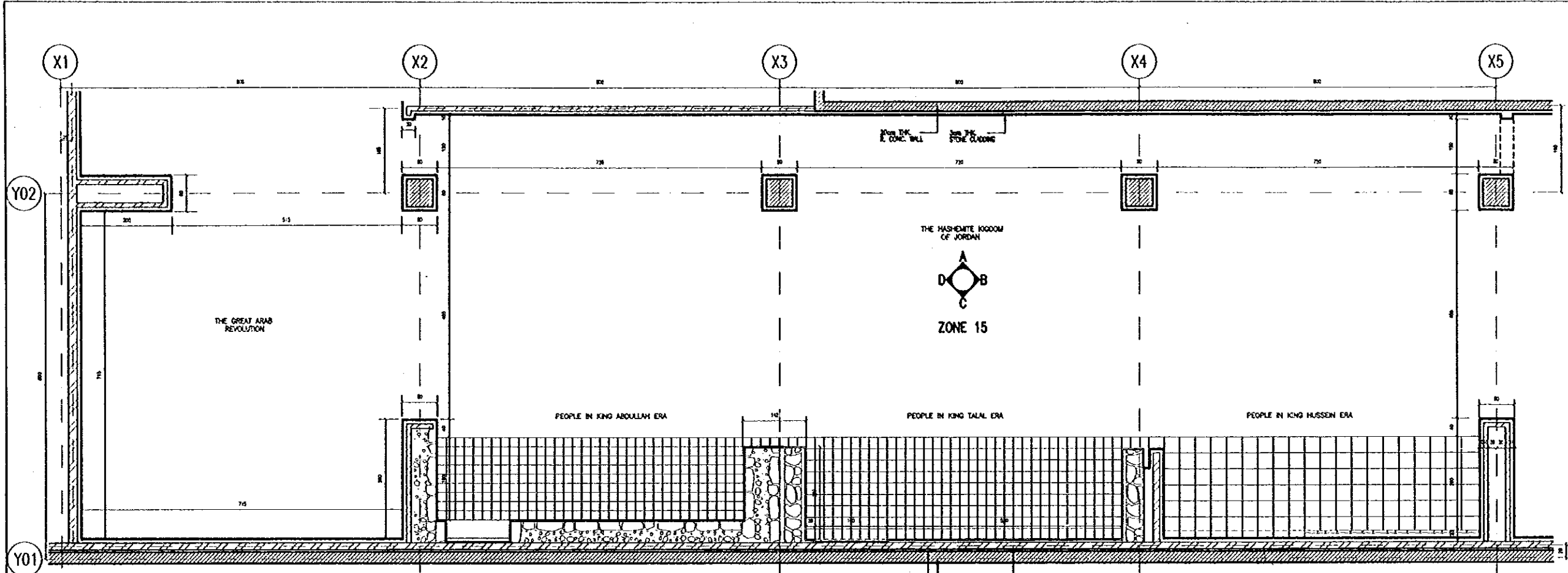
Scale:

1:50

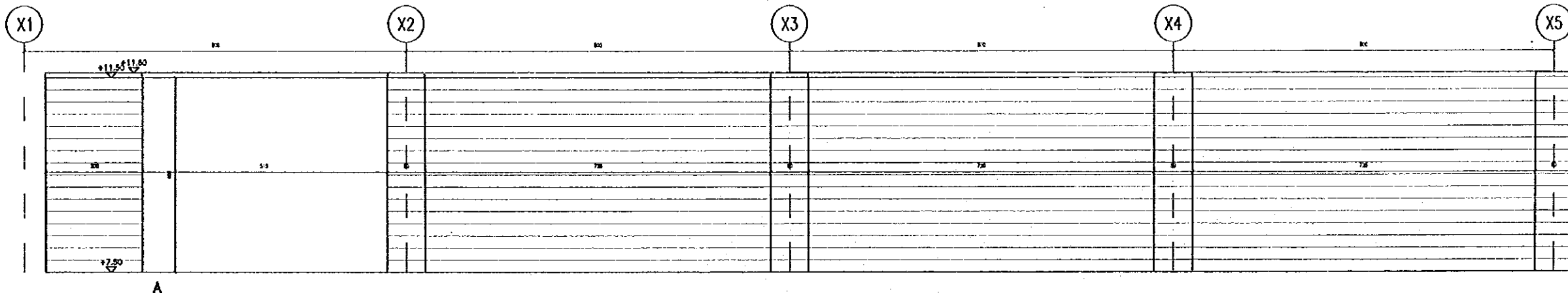
Drawing No.:

A-448

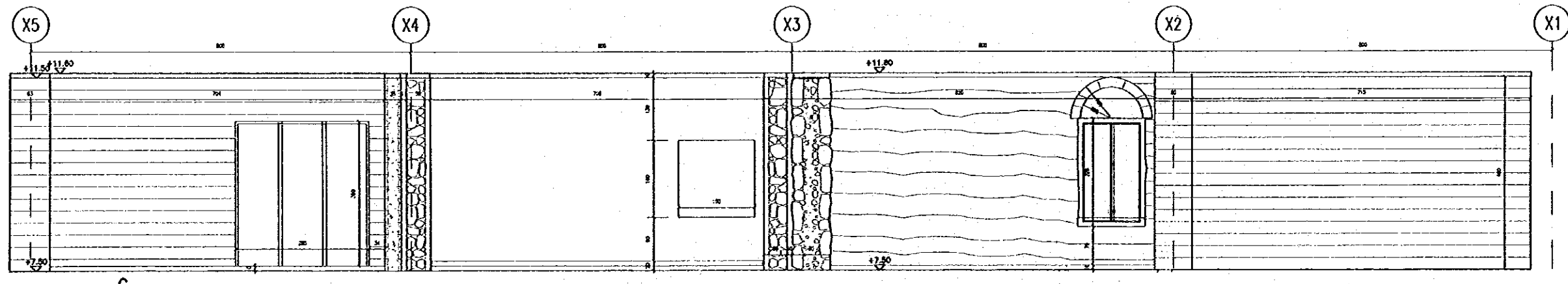
Note:  
This detailed design has been executed by a team  
of consultants as shown below in accordance with  
the agreement between Japan International  
Cooperation Agency (JICA) and JICA Study Team.  
  
The copyright of this drawing rests with JICA.



1 PARTIAL PLAN  
A-447  
SCALE = 1:50

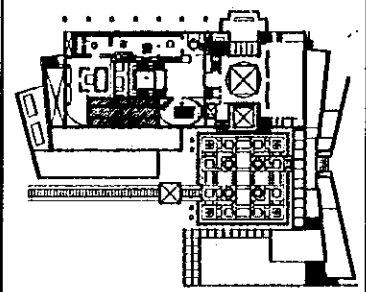


A



C

2 INTERNAL ELEVATIONS  
A-447  
SCALE = 1:50



Designed by:  
Japan International Cooperation  
Agency (JICA)  
JICA Study Team:  
Joint Venture of  
Pacific Consultants International and  
Yamashita Sekkel Inc.  
  
Subcontracted Local Consultant:  
Jofor Tukon and Partners  
Architects and Engineers

Drawing Title:  
**EXHIBITION HALL  
ZONE 15 (1)**

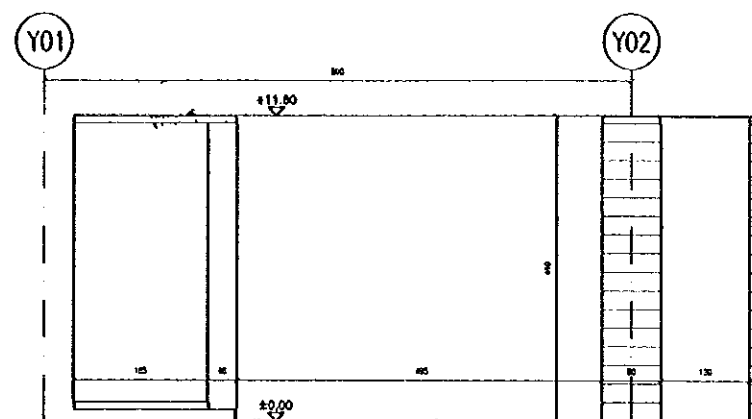
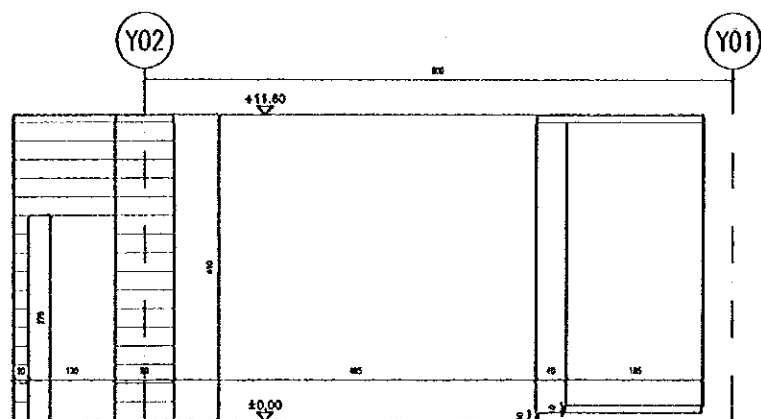
Scale: 1:50 Drawing No: A-447

Sub Project:

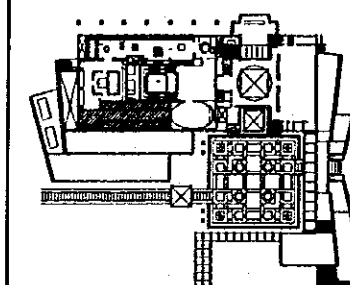
NATIONAL MUSEUM

Note:

This detailed design has been executed by a team of consultants as shown below in accordance with the agreement between Japan International Cooperation Agency (JICA) and JICA Study Team.  
The copyright of this drawing rests with JICA.



2 INTERNAL ELEVATIONS  
A-448 SCALE = 1:50



Designed by:

Japan International Cooperation Agency (JICA)

JICA Study Team:

Joint Venture of  
Pacific Consultants International and  
Yamashita Sekkei Inc.

Subcontracted Local Consultant:

Jafar Tukon and Partners  
Architects and Engineers

Drawing Title:

EXHIBITION HALL  
ZONE 15 (2)

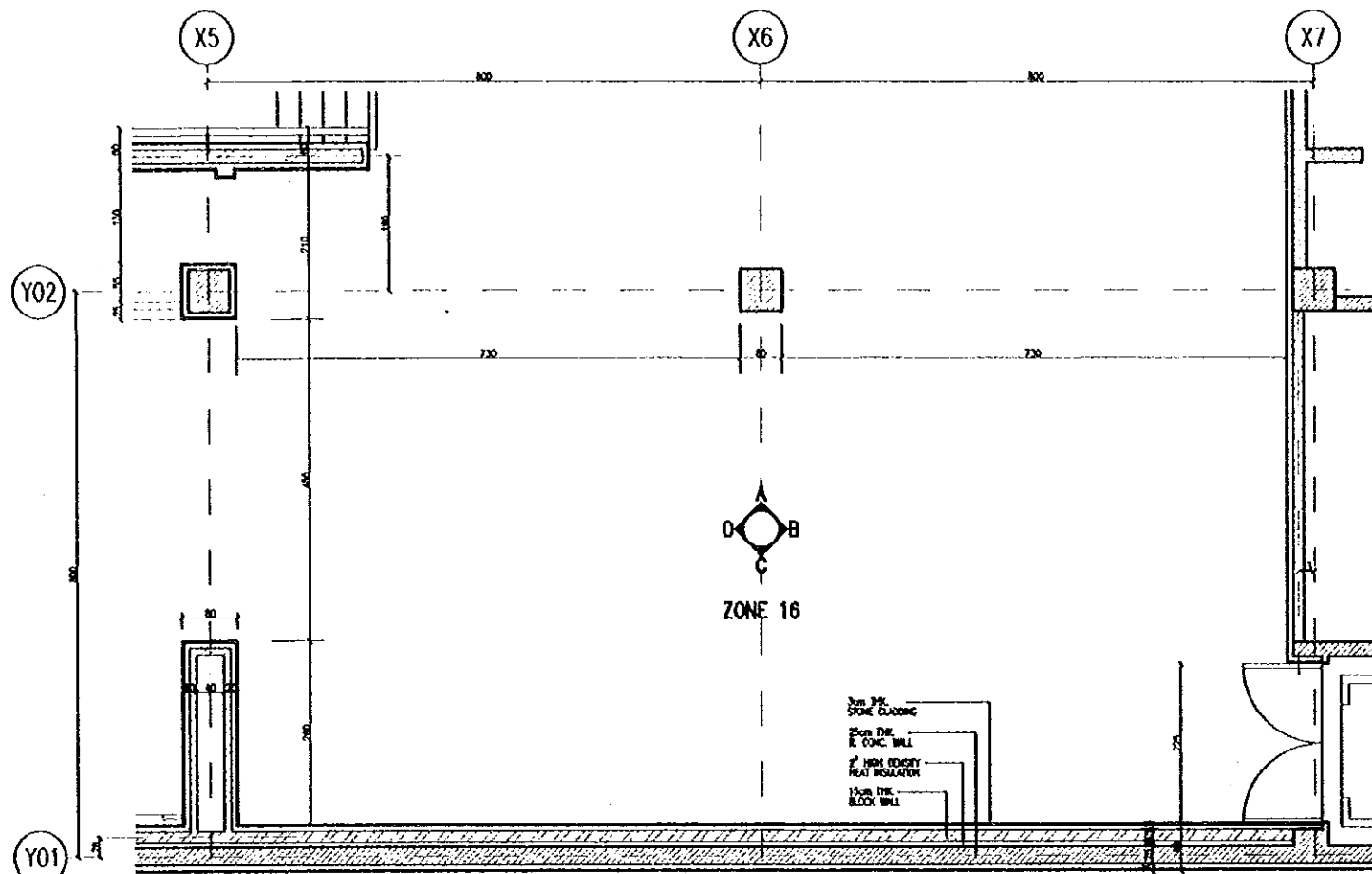
Scale:

1:50

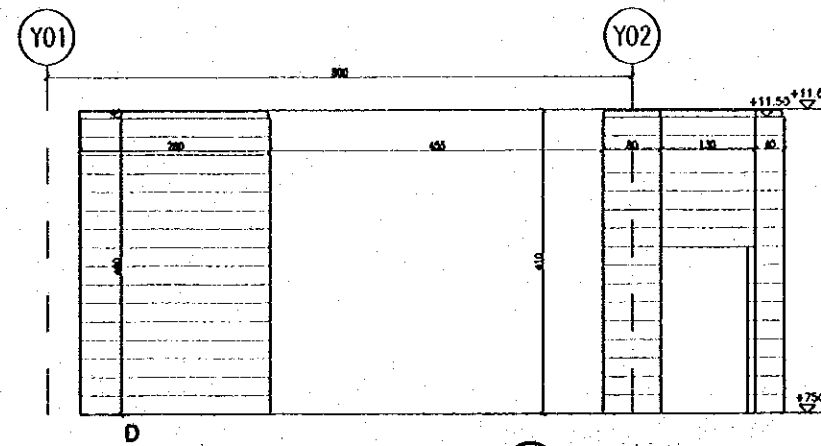
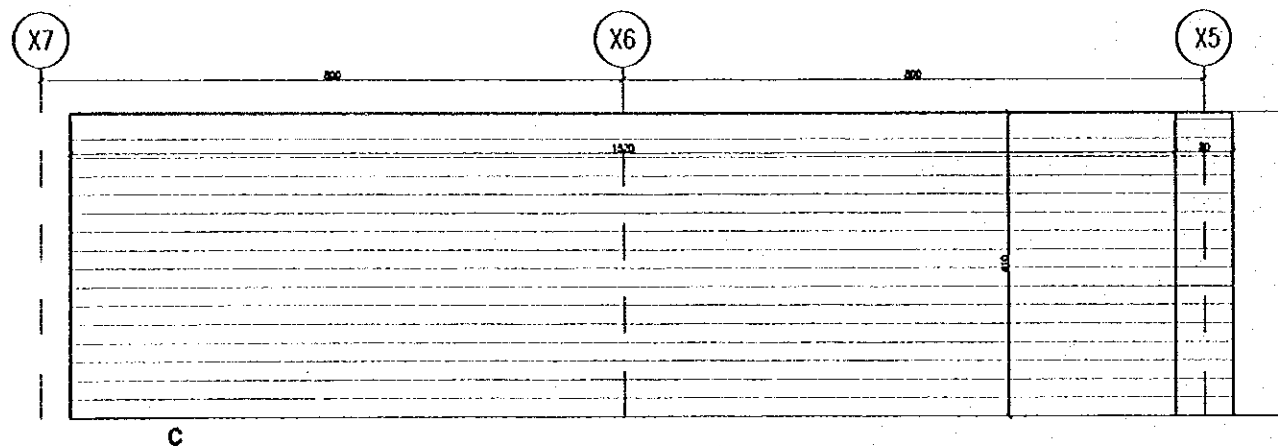
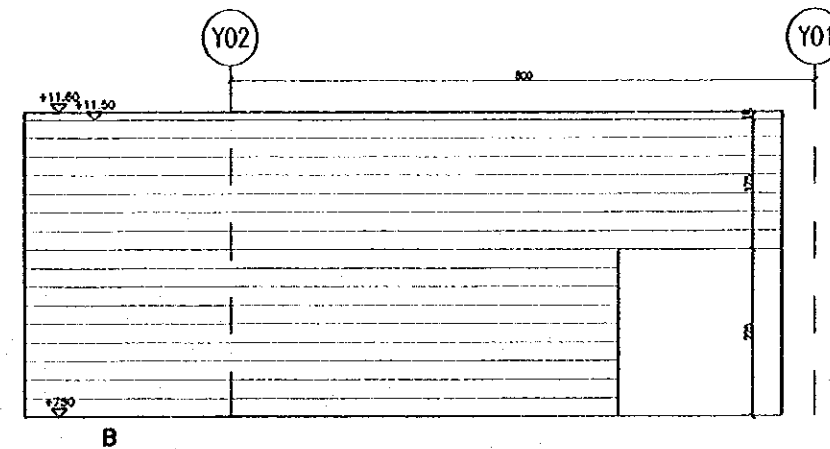
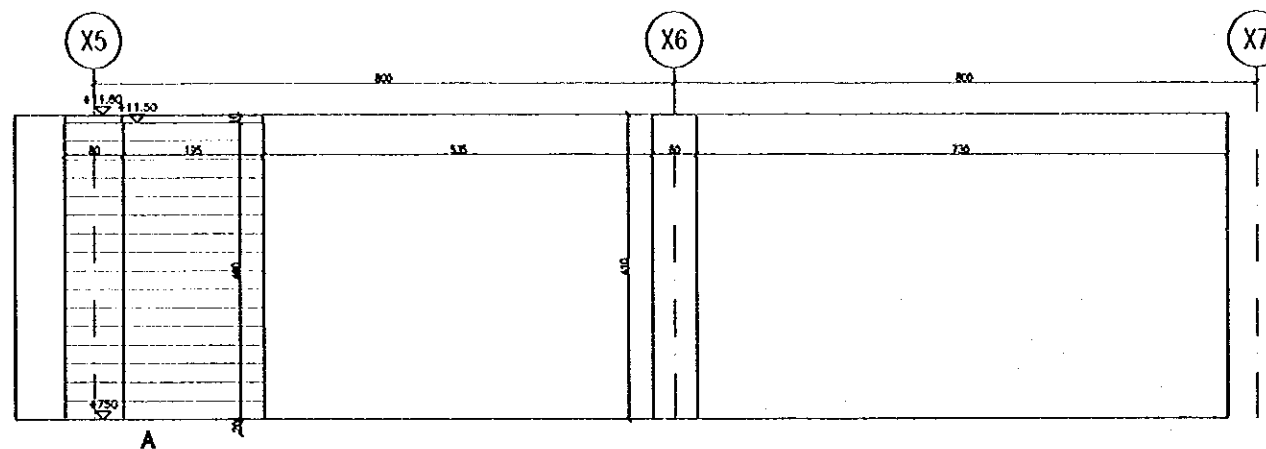
Drawing No.:

A-448

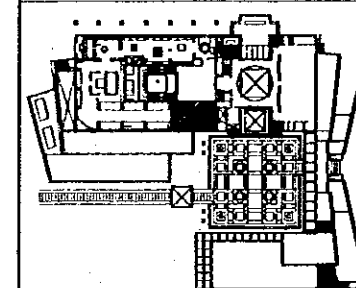
75



1 PARTIAL PLAN  
A-444 SCALE = 1:50



2 INTERNAL ELEVATIONS  
A-444 SCALE = 1:50



Designed by:

Japan International Cooperation  
Agency (JICA)

JICA Study Team:

Joint Venture of  
Pacific Consultants International and  
Yamasita Sekkol Inc.

Subcontracted Local Consultant:

Jafar Tukan and Partners  
Architects and Engineers

Drawing Title:

EXHIBITION HALL  
ZONE 16

Scale:

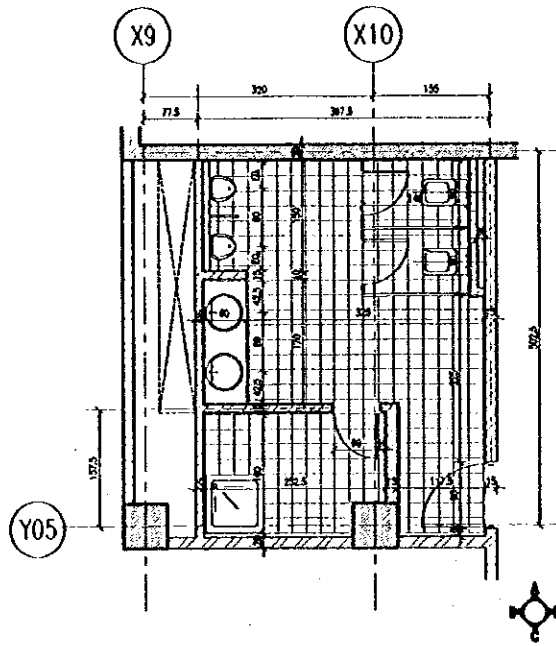
1:50

Drawing No.:

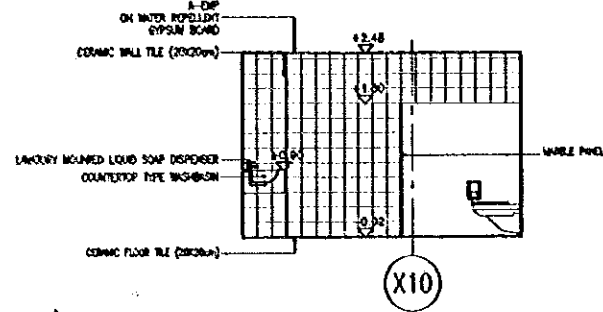
A-444



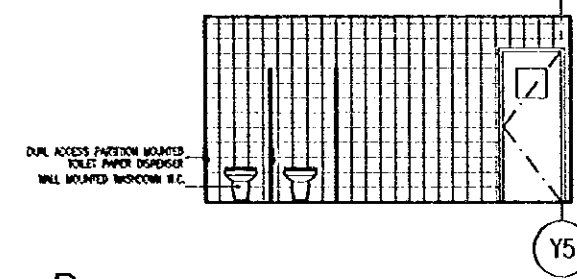
PLAN



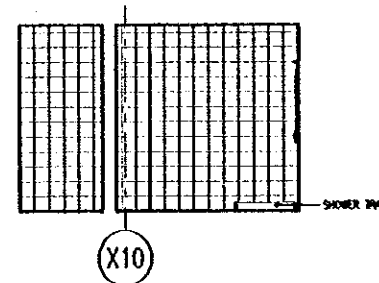
INTERNAL ELEVATIONS



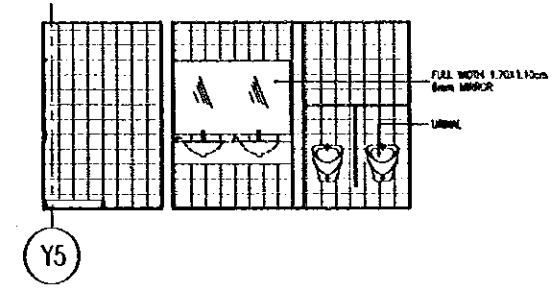
A



B

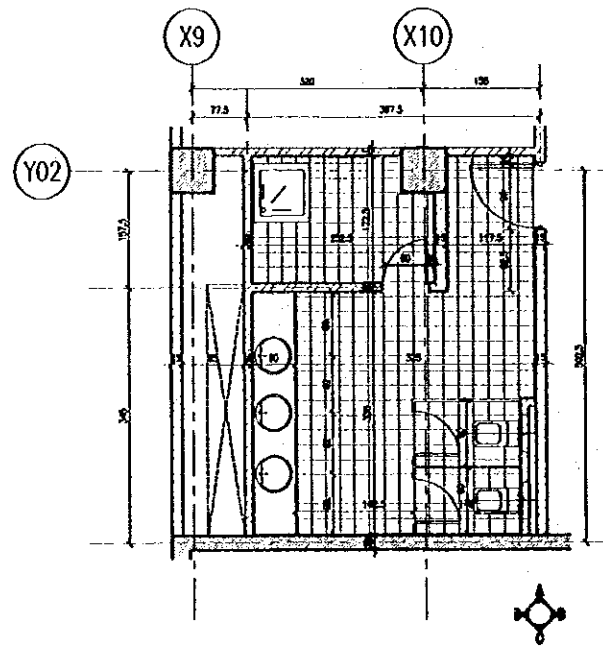


C

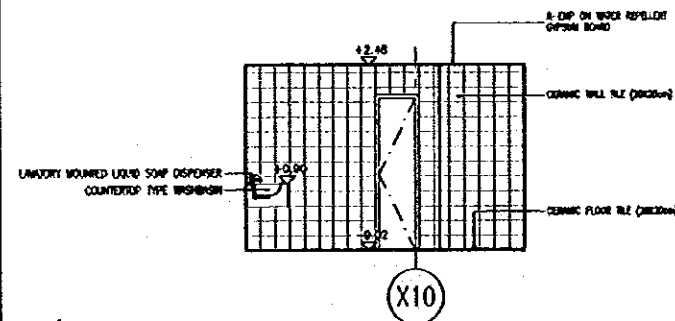


D

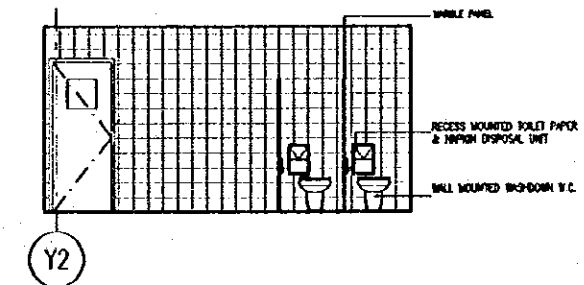
PLAN



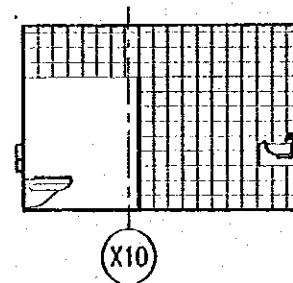
INTERNAL ELEVATIONS



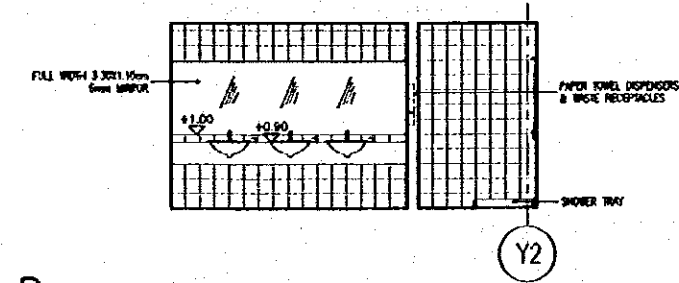
A



B



C



D

Tourism Sector Development Project  
in the Hashemite Kingdom of Jordan

The Government of  
The Hashemite Kingdom of Jordan  
The Ministry of Tourism and Antiquities  
The Ministry of Planning

Sub-Project:

NATIONAL MUSEUM

Note:

This detailed design has been executed by a team  
of consultants as shown below in accordance with  
the agreement between Japan International  
Cooperation Agency (JICA) and JICA Study Team.

The copyright of this drawing rests with JICA.

Designed by:

Japan International Cooperation  
Agency (JICA)

JICA Study Team:

Joint Venture of  
Pacific Consultants International and  
Yamasita Sekkel Inc.

Subcontracted Local Consultant:

Jafar Tukon and Partners  
Architects and Engineers

Drawing Title:

TOILET (1)

Scale:

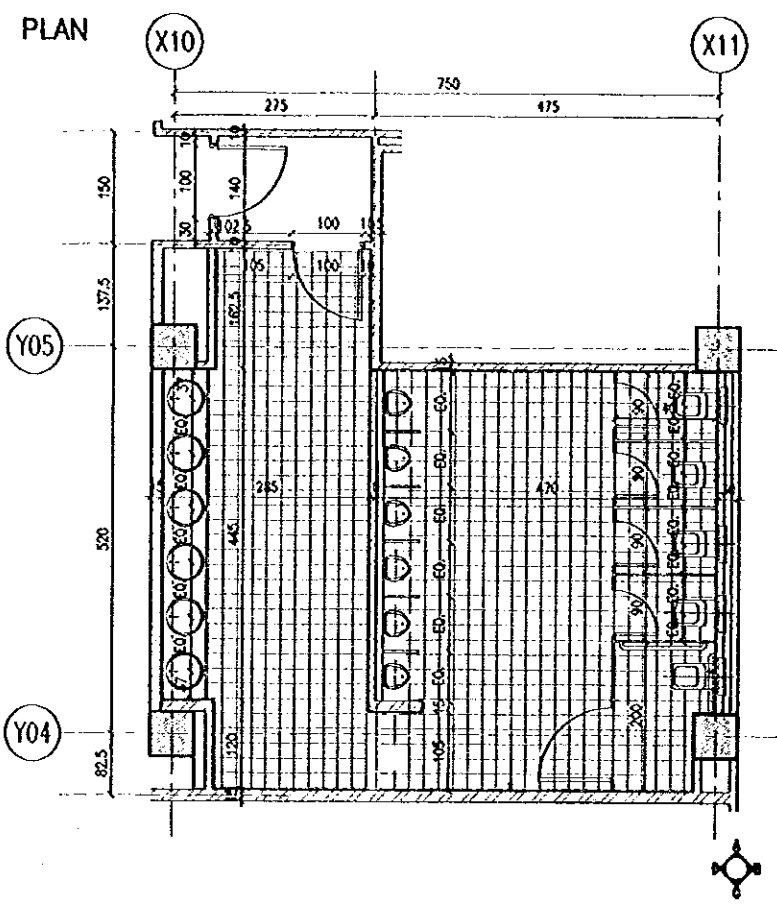
1:80

Drawing No.:

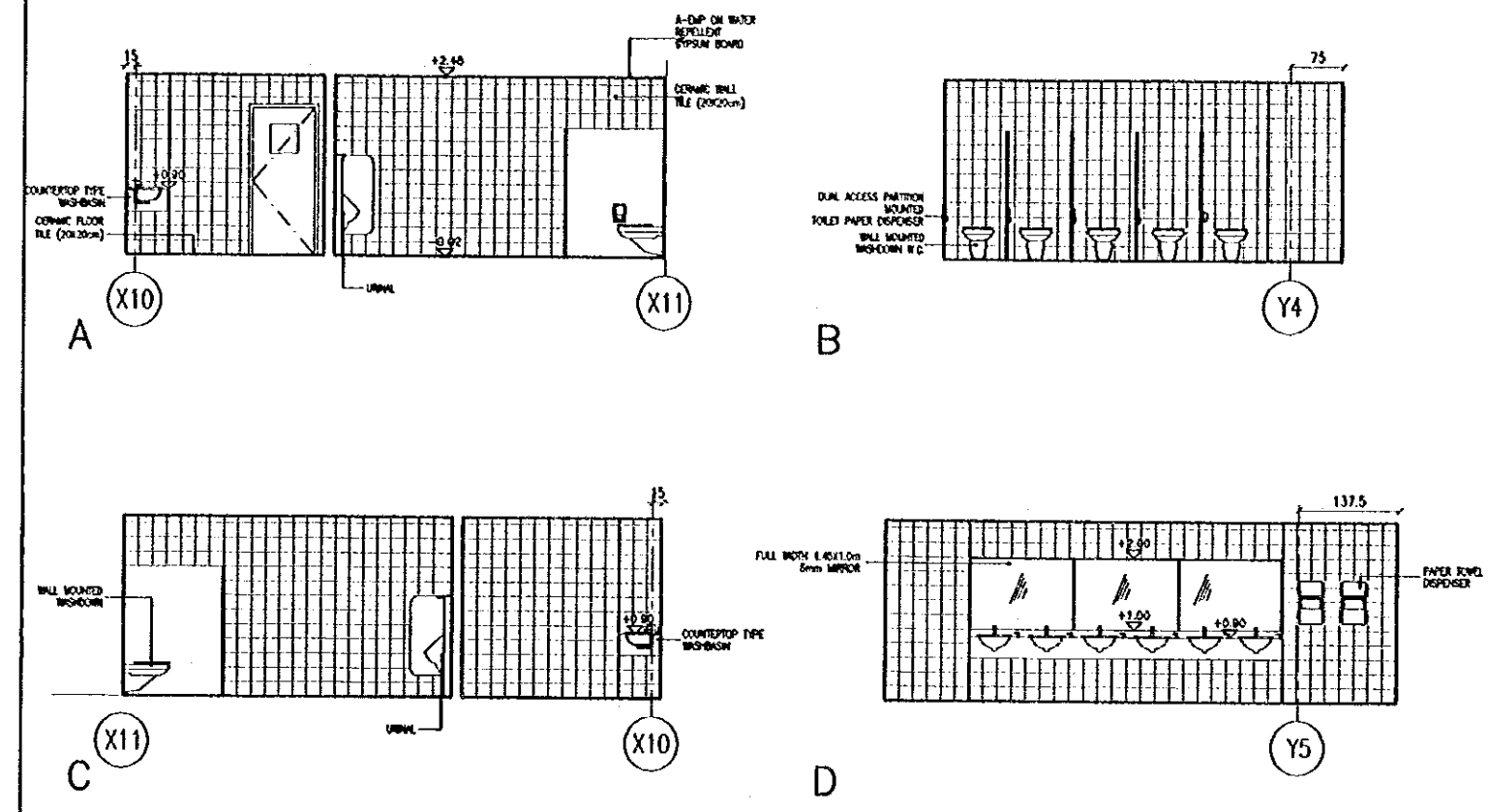
A-481

77

1 MALE TOILET - (G-10)  
A-482 SCALE = 1:50



INTERNAL ELEVATIONS



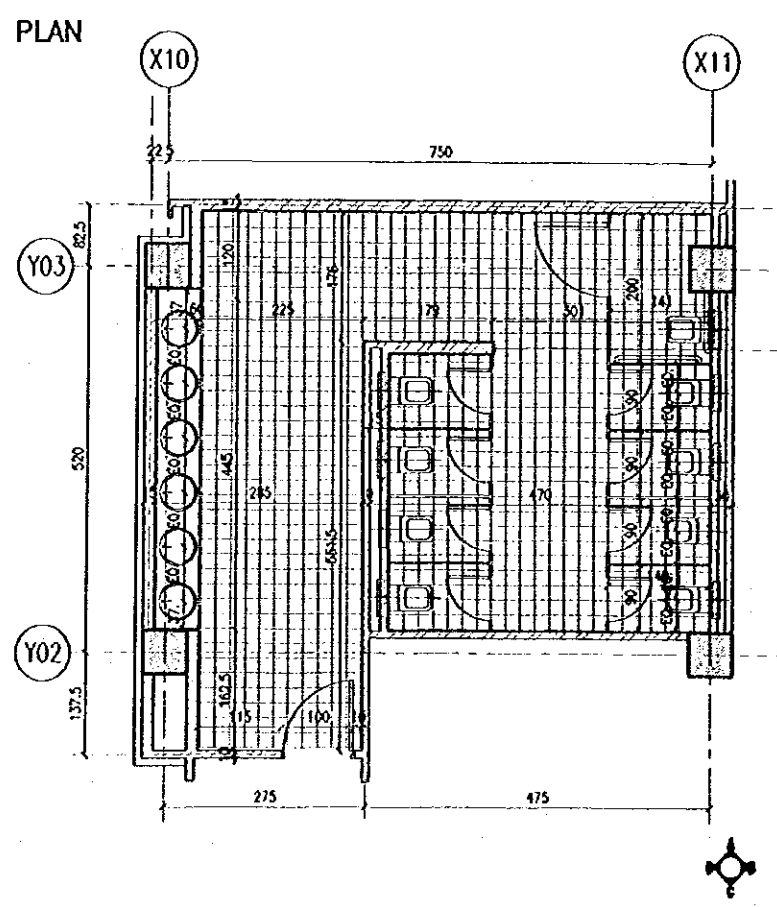
Tourism Sector Development Project  
in the Hashemite Kingdom of Jordan

The Government of  
The Hashemite Kingdom of Jordan  
The Ministry of Tourism and Antiquities  
The Ministry of Planning

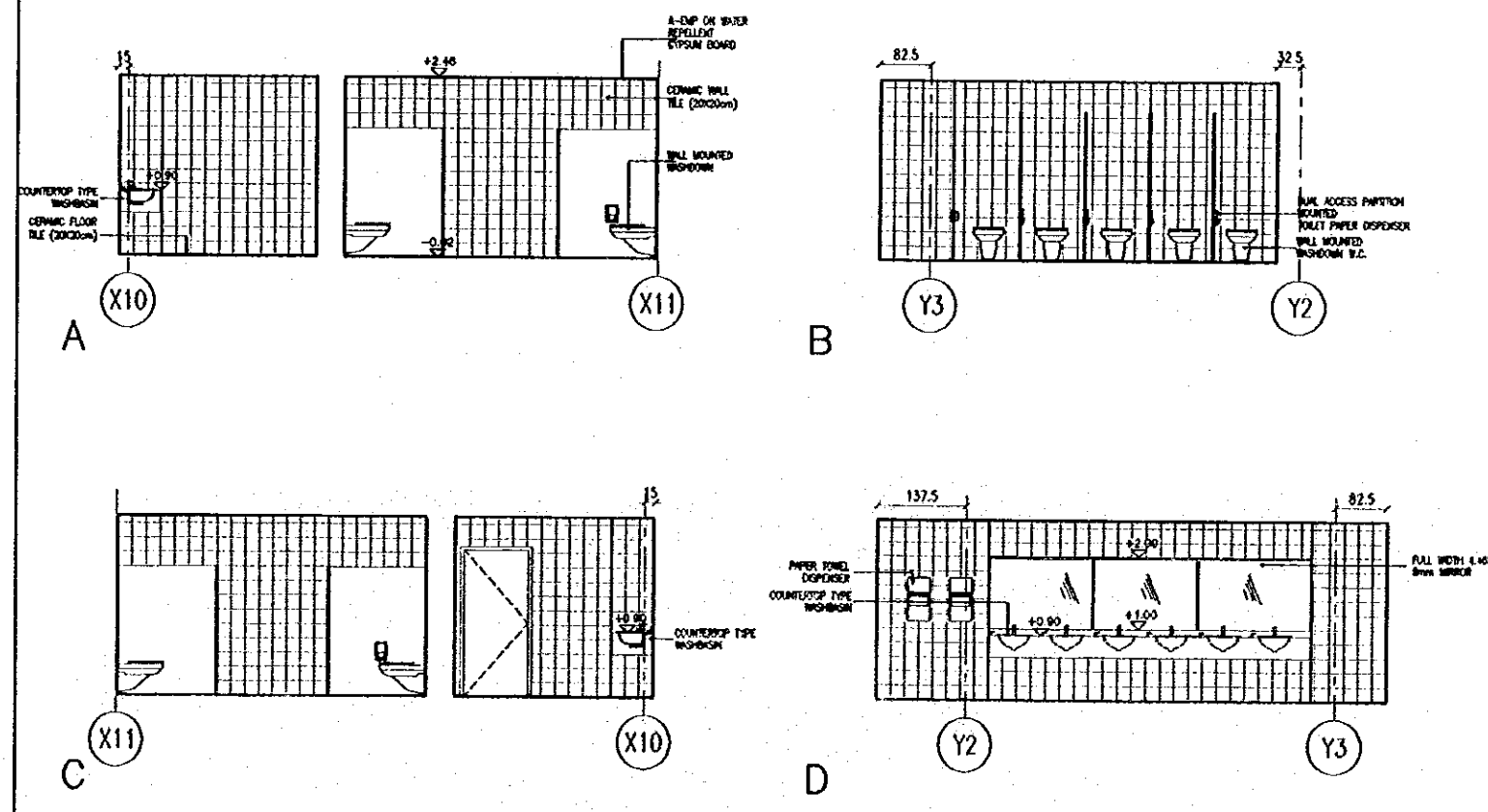
Sub Project:  
NATIONAL MUSEUM

Note:  
This detailed design has been executed by a team  
of consultants as shown below in accordance with  
the agreement between Japan International  
Cooperation Agency (JICA) and JICA Study Team.  
  
The copyright of this drawing rests with JICA.

2 FEMALE TOILET - (G-09)  
A-482 SCALE = 1:50



INTERNAL ELEVATIONS



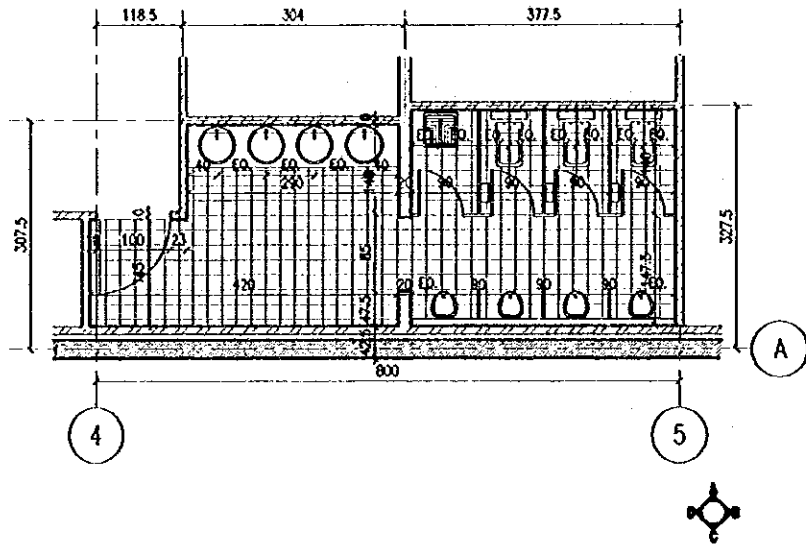
Designed by:  
Japan International Cooperation  
Agency (JICA)  
JICA Study Team:  
Joint Venture of  
Pacific Consultants International and  
Yamasita Sekkel Inc.  
Subcontracted Local Consultant:  
Jafar Tukon and Partners  
Architects and Engineers

Drawing Title:  
TOILET (2)

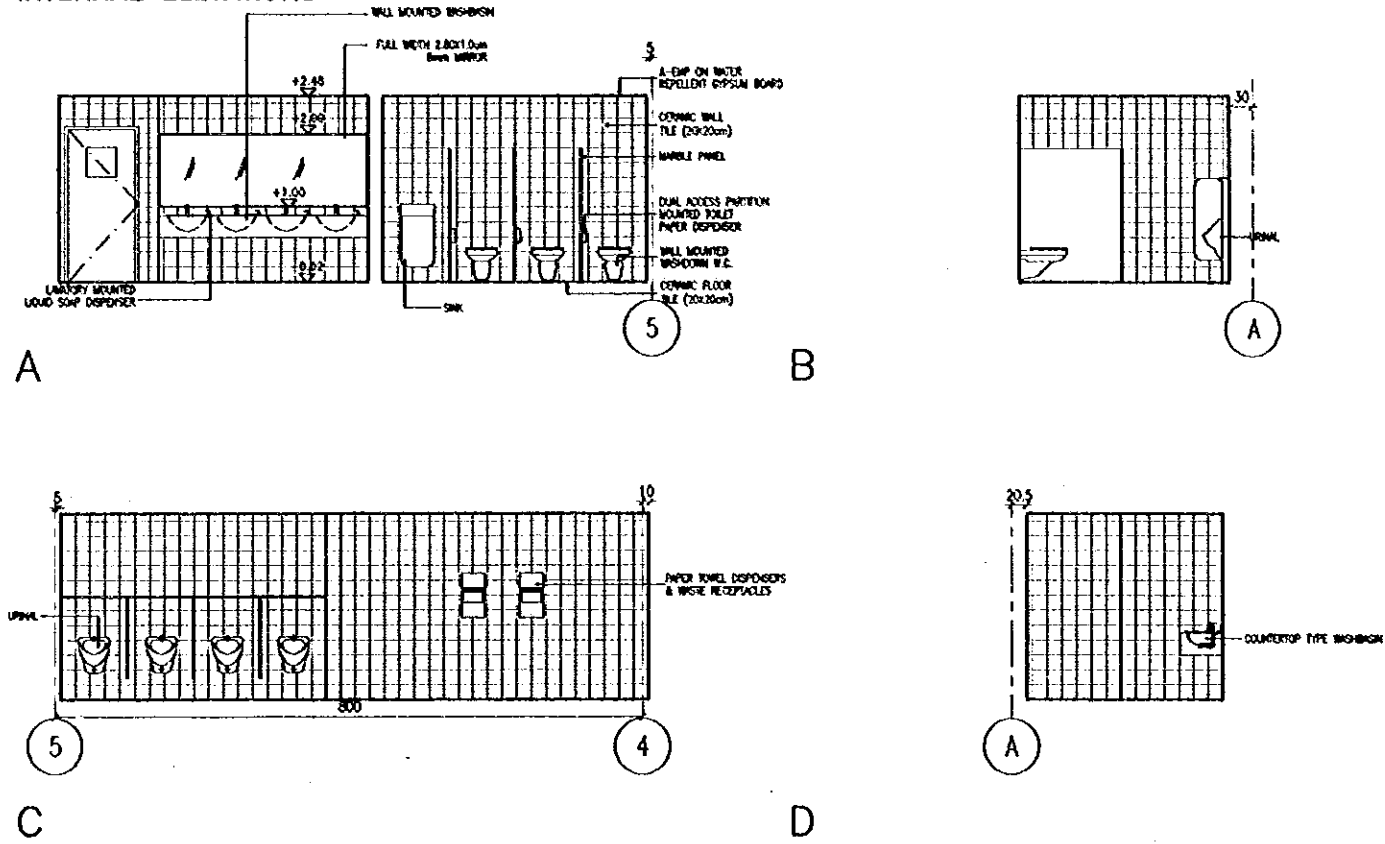
Scale:  
1:50  
Drawing No:  
A-482

1 MALE TOILET - [6-24]  
A-483 SCALE = 1:50

PLAN



INTERNAL ELEVATIONS



Tourism Sector Development Project  
in the Hashemite Kingdom of Jordan

The Government of  
The Hashemite Kingdom of Jordan  
The Ministry of Tourism and Antiquities  
The Ministry of Planning

Sub-Project:

NATIONAL MUSEUM

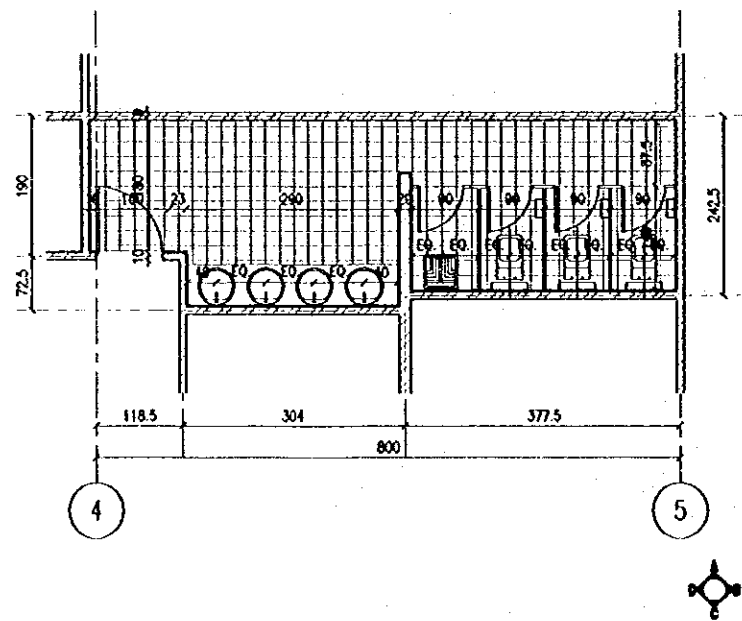
Note:

This detailed design has been executed by a team of consultants as shown below in accordance with the agreement between Japan International Cooperation Agency (JICA) and JICA Study Team.

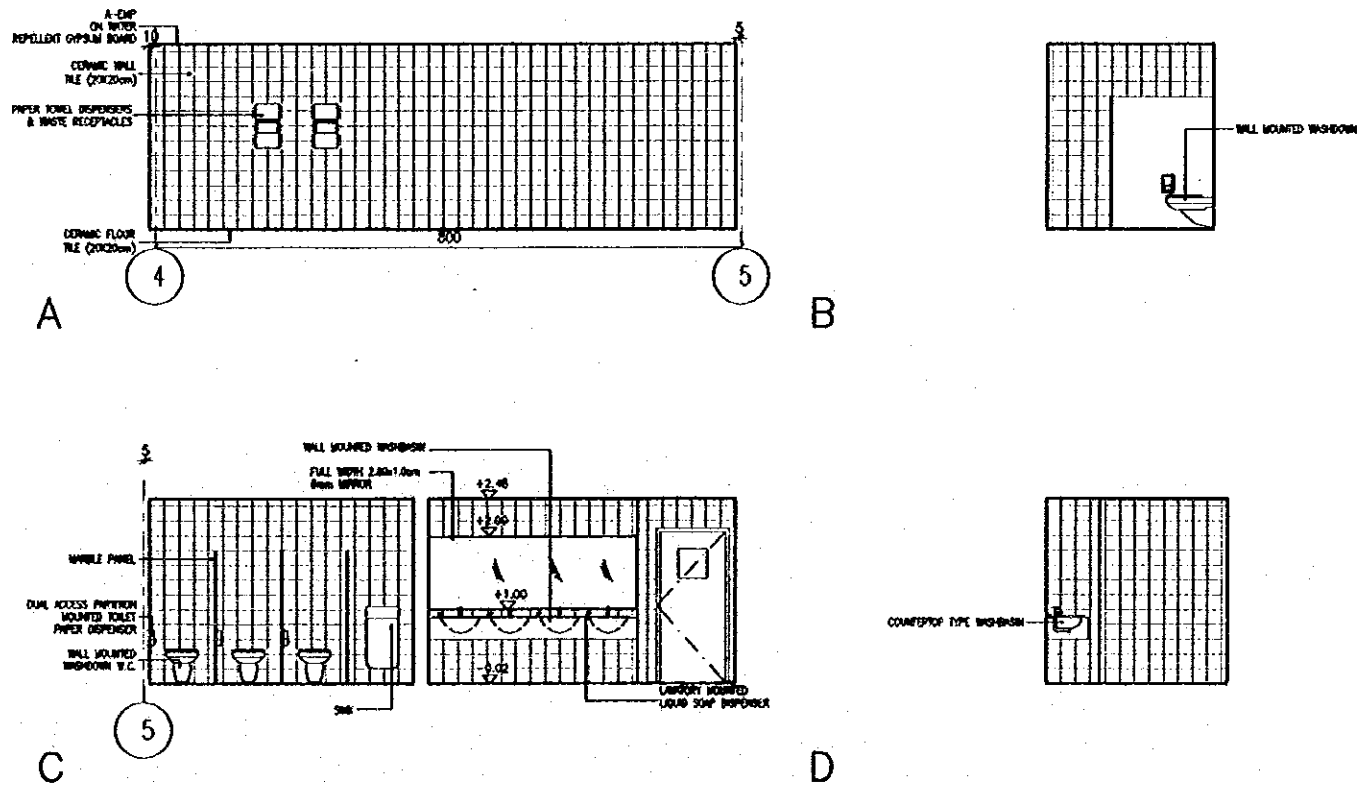
The copyright of this drawing rests with JICA.

2 FEMALE TOILET - [6-23]  
A-483 SCALE = 1:50

PLAN



INTERNAL ELEVATIONS



Designed by:

Japan International Cooperation Agency (JICA)

JICA Study Team:

Joint Venture of Pacific Consultants International and Yamashita Sekkel Inc.

Subcontracted Local Consultant:

Jafar Tukan and Partners Architects and Engineers

Drawing Title:

TOILET (3)

Scale:

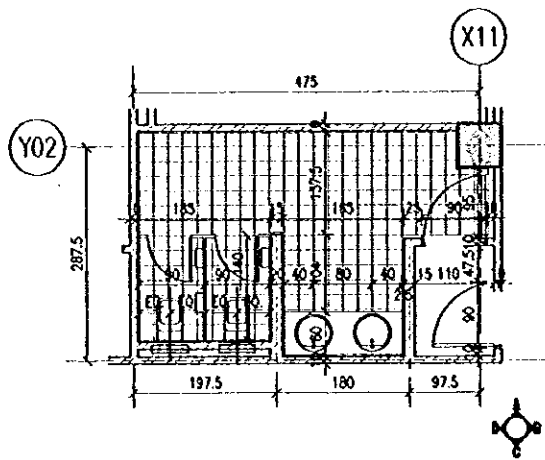
1:50

Drawing No.:

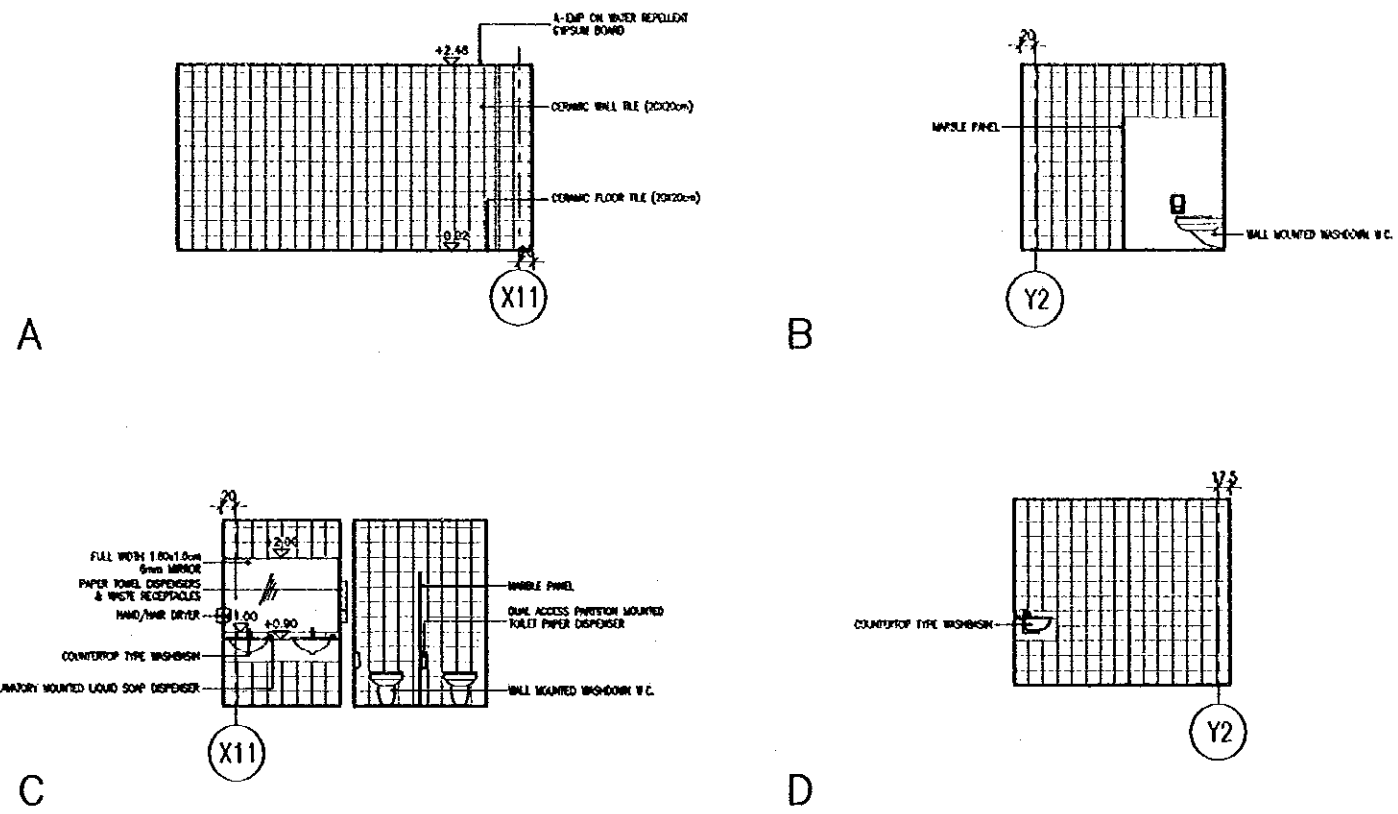
A-483

1 FEMALE STAFF TOILET-(G-17)  
SCALE = 1:50

PLAN



INTERNAL ELEVATIONS



Tourism Sector Development Project  
in the Hashemite Kingdom of Jordan

The Government of  
The Hashemite Kingdom of Jordan  
The Ministry of Tourism and Antiquities  
The Ministry of Planning

Sub Project:

NATIONAL MUSEUM

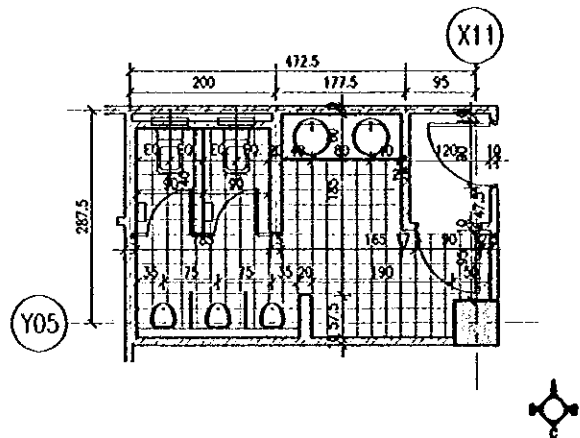
Note:

This detailed design has been executed by a team  
of consultants as shown below, in accordance with  
the agreement between Japan International  
Cooperation Agency (JICA) and JICA Study Team.

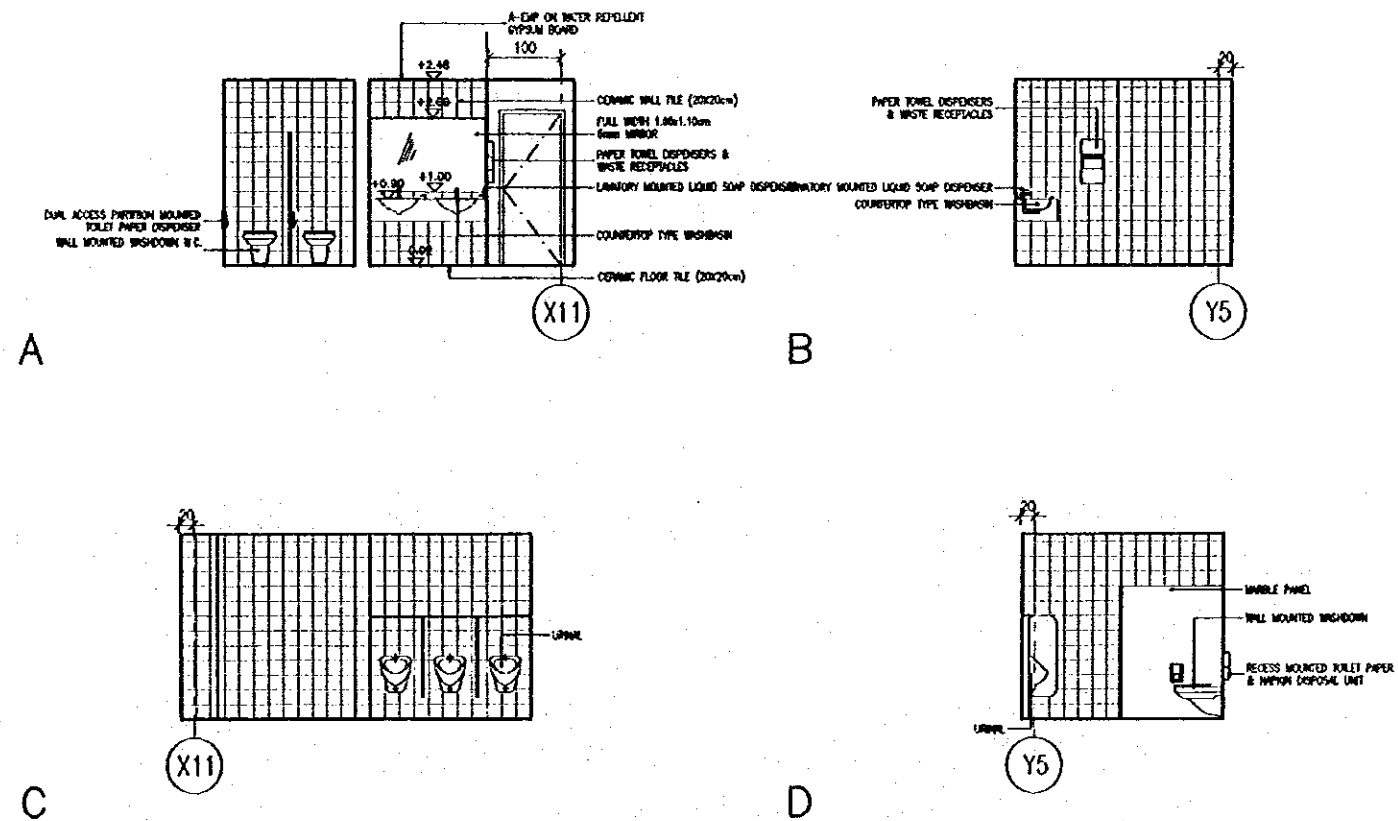
The copyright of this drawing rests with JICA.

2 MALE STAFF TOILET-- (G-18)  
SCALE = 1:50

PLAN



INTERNAL ELEVATIONS



Designed by:

Japan International Cooperation  
Agency (JICA)

JICA Study Team:

Joint Venture of  
Pacific Consultants International and  
Yamashita Sekkei Inc.

Subcontracted Local Consultant:

Jafor Tukon and Partners  
Architects and Engineers

Drawing Title:

TOILET (4)

Scale:

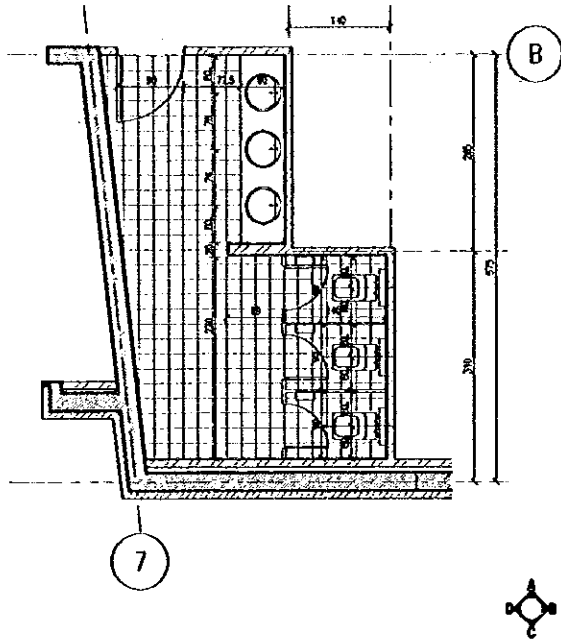
1:50

Drawing No.:

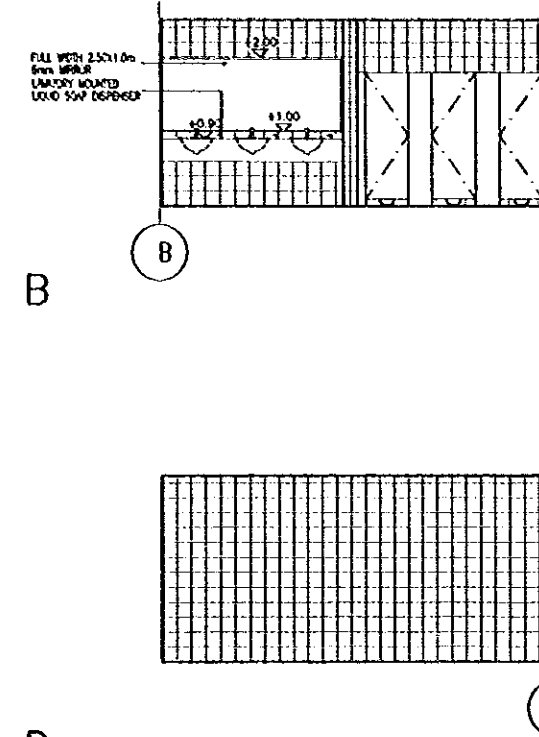
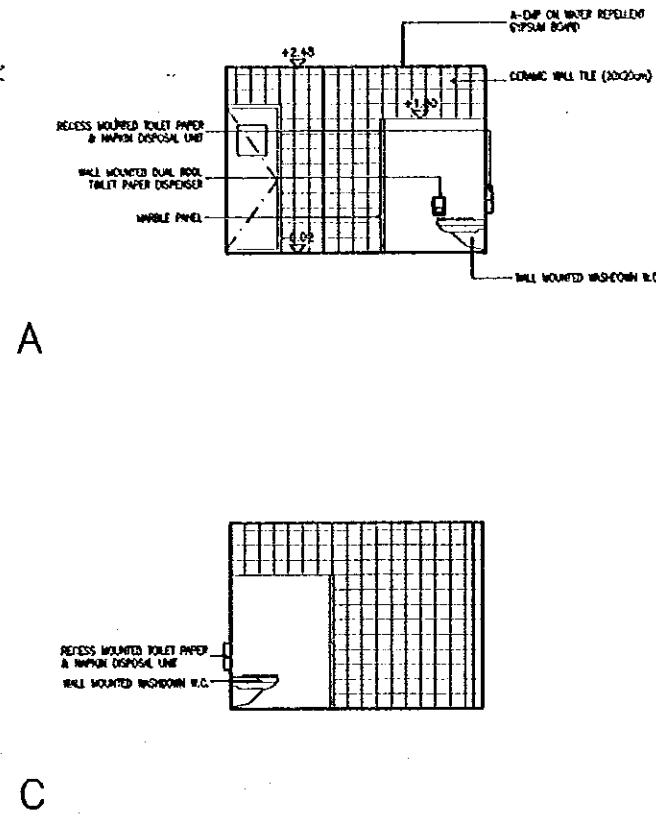
A-484

1 FEMALE TOILET - [G-38]  
SCALE = 1:50

PLAN



INTERNAL ELEVATIONS



Tourism Sector Development Project  
In the Hashemite Kingdom of Jordan

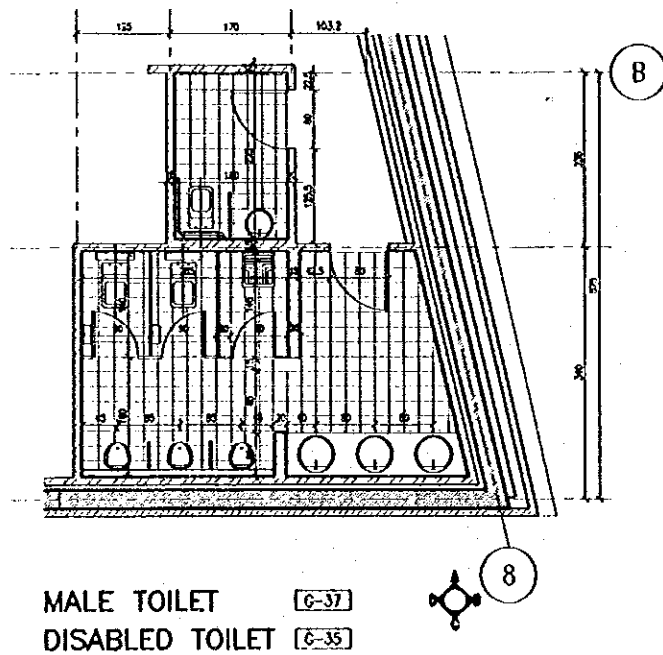
The Government of  
The Hashemite Kingdom of Jordan  
The Ministry of Tourism and Antiquities  
The Ministry of Planning

Sub-Project:  
NATIONAL MUSEUM

Note:  
This detailed design has been executed by a team  
of consultants as shown below in accordance with  
the agreement between Japan International  
Cooperation Agency (JICA) and JICA Study Team.  
The copyright of this drawing rests with JICA.

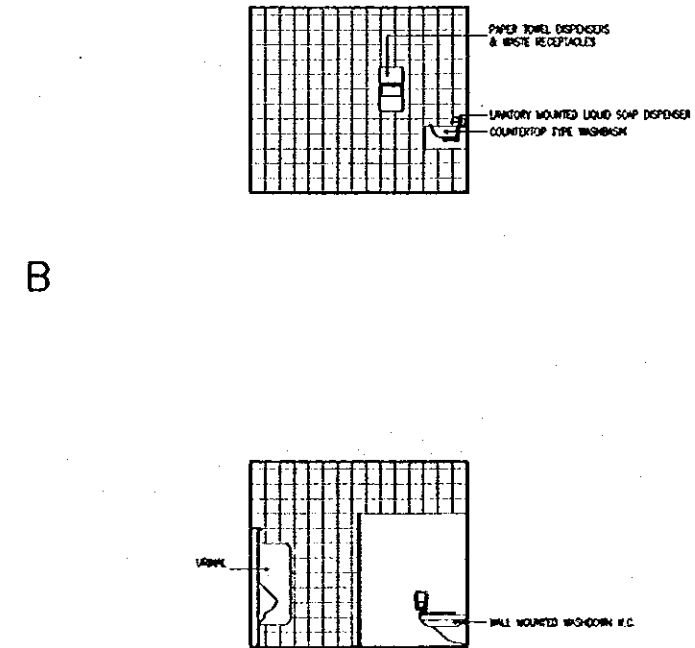
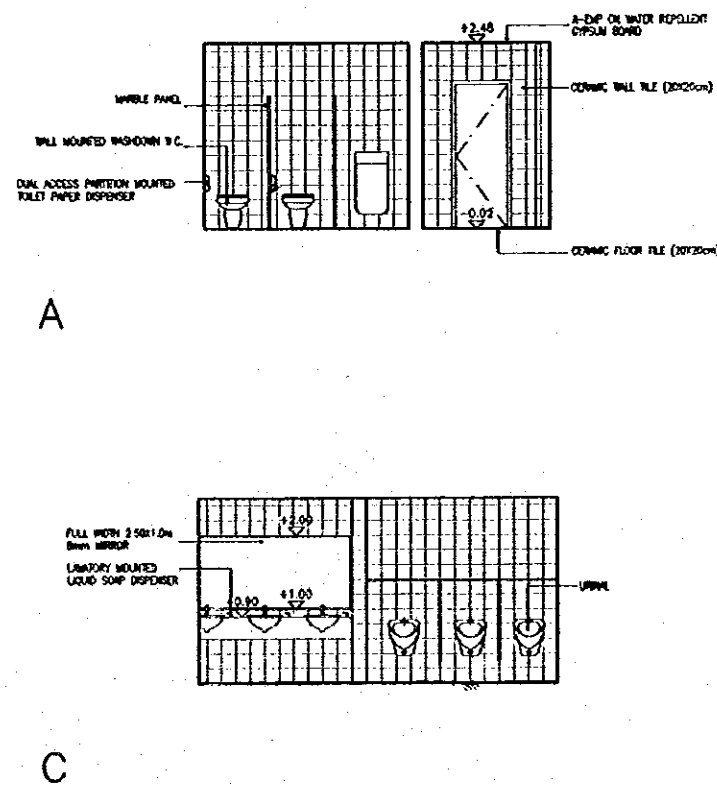
2 MALE TOILET - [G-37] & DISABLED TOILET - [G-35]  
SCALE = 1:50

PLAN



MALE TOILET [G-37]  
DISABLED TOILET [G-35]

INTERNAL ELEVATIONS

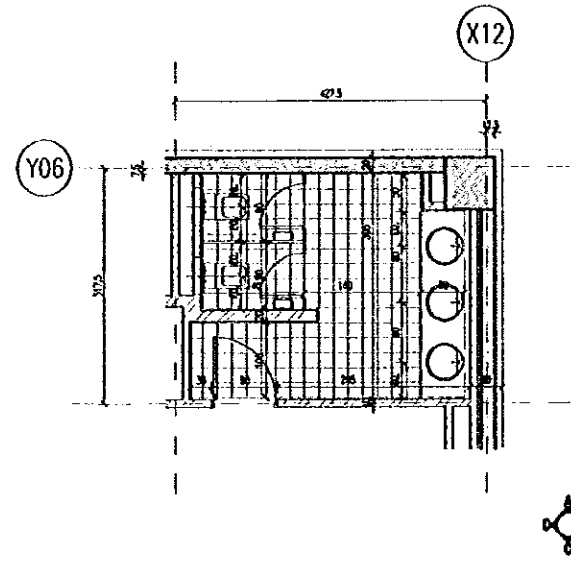


Designed by:  
Japan International Cooperation  
Agency (JICA)  
JICA Study Team:  
Joint Venture of  
Pacific Consultants International and  
Yamasita Sekkel Inc.  
Subcontracted Local Consultant:  
Jafar Tukon and Partners  
Architects and Engineers

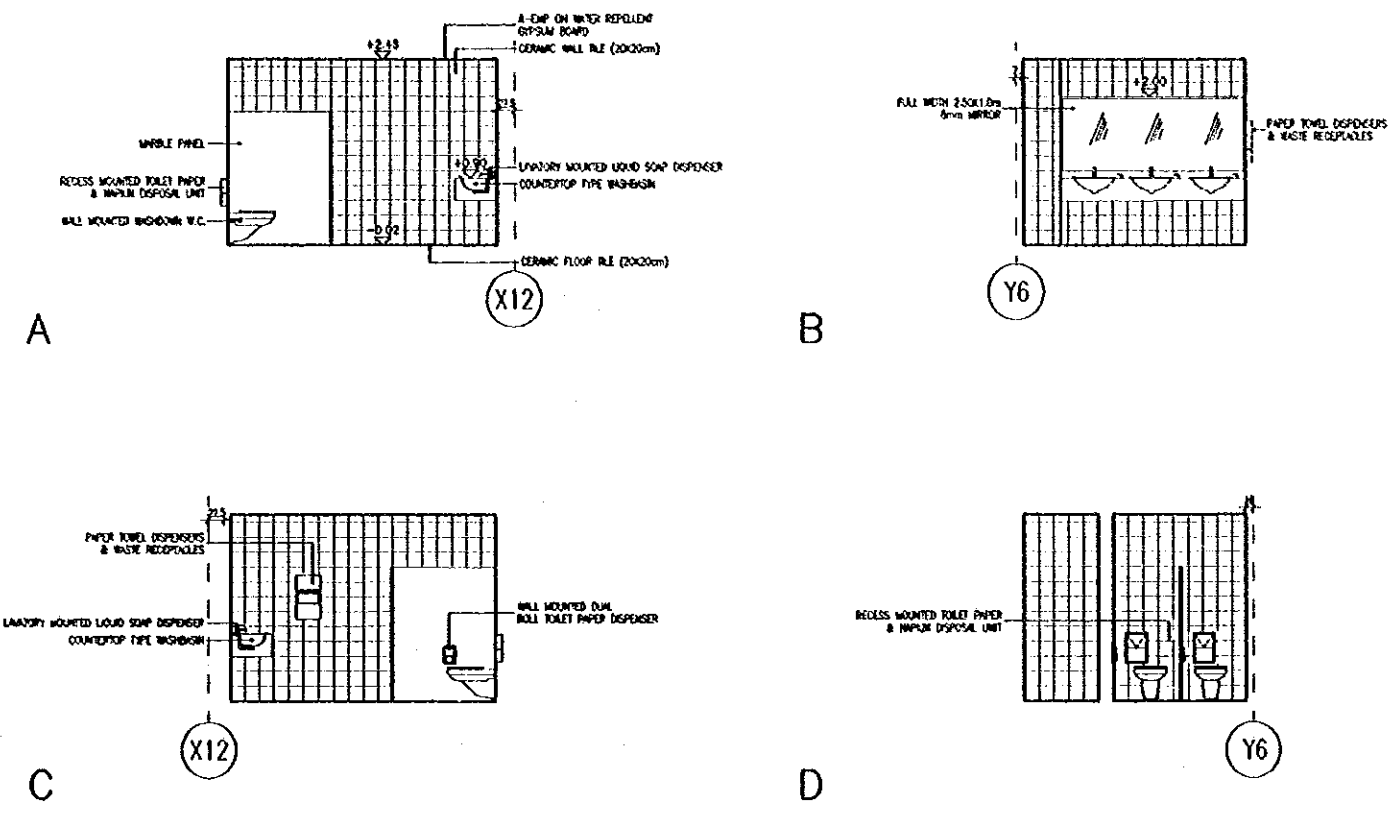
Drawing Title:  
TOILET (5)

Scale: 1:50 Drawing No: A-485

**PLAN**

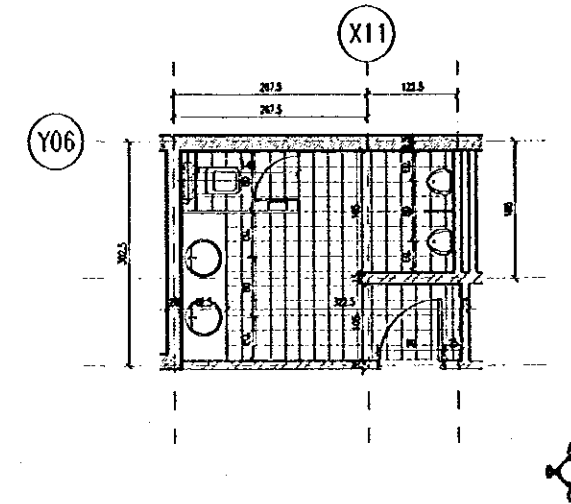


**INTERNAL ELEVATIONS**

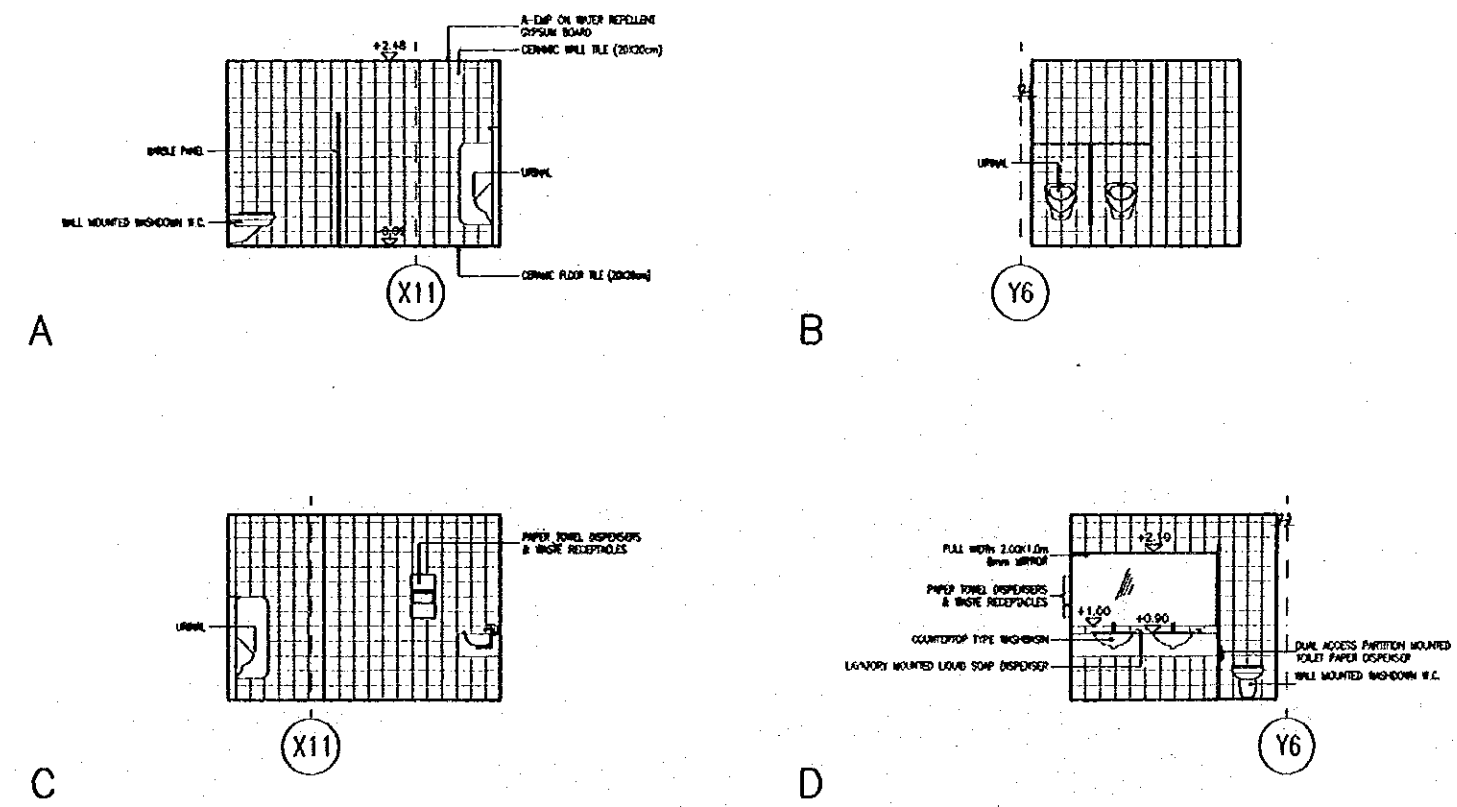


Note:  
This detailed design has been executed by a team  
of consultants as shown below in accordance with  
the agreement between Japan International  
Cooperation Agency (JICA) and JICA Study Team.  
  
The copyright of this drawing rests with JICA.

**PLAN**



**INTERNAL ELEVATIONS**



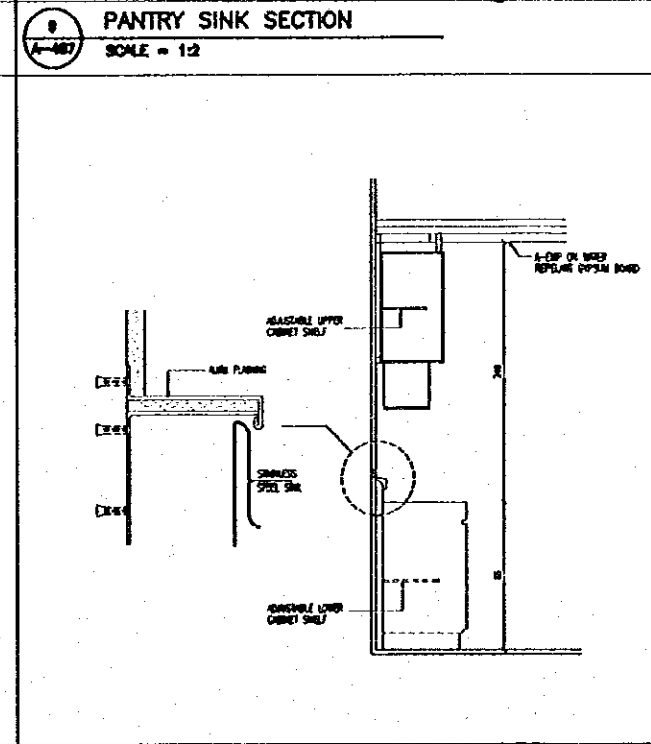
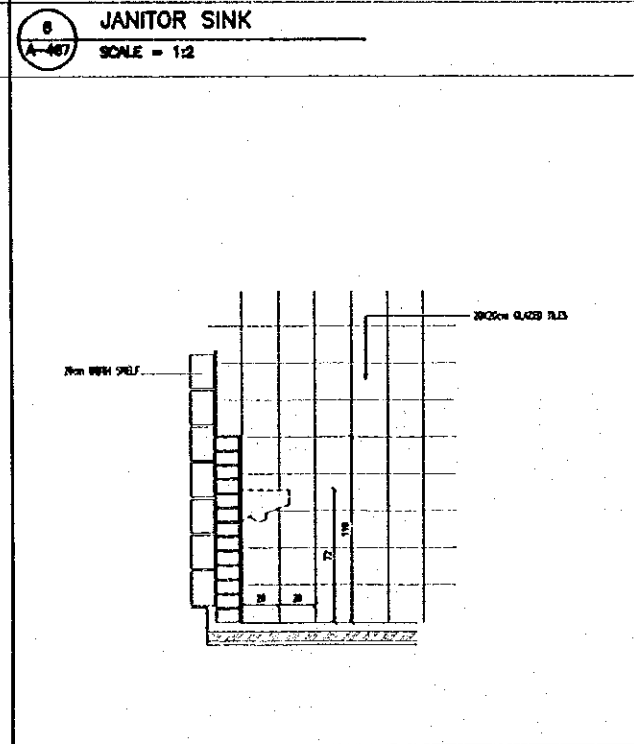
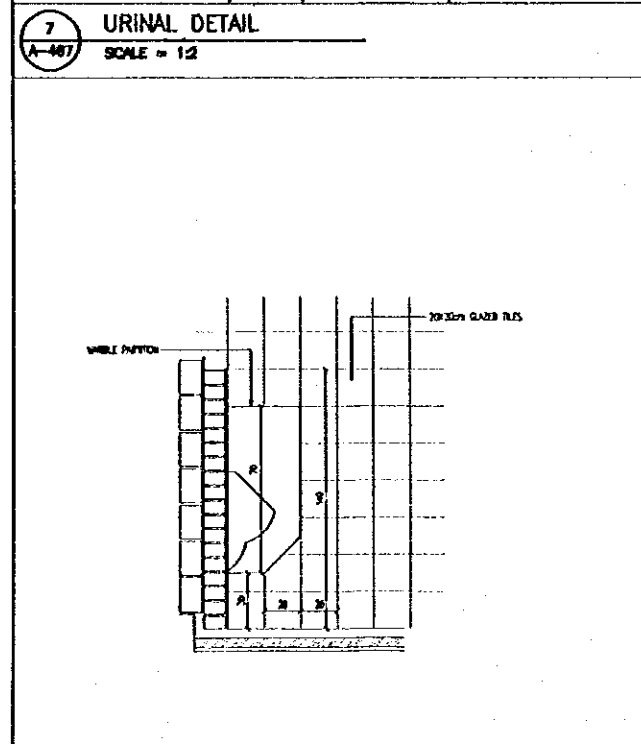
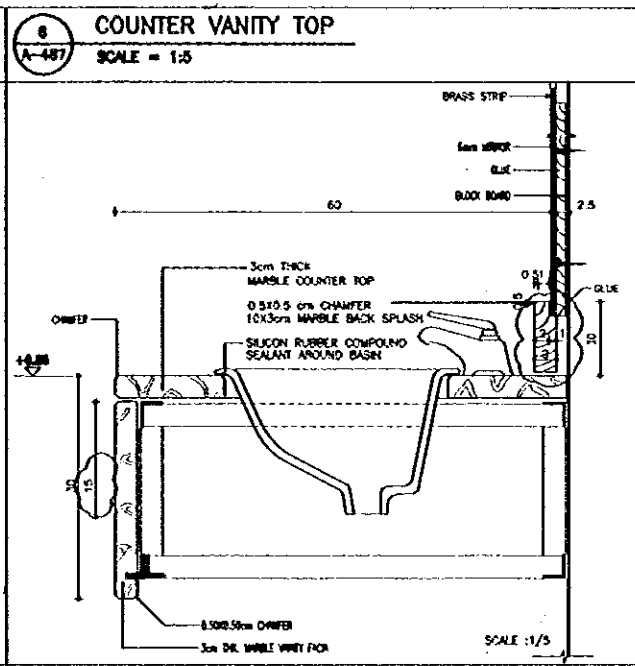
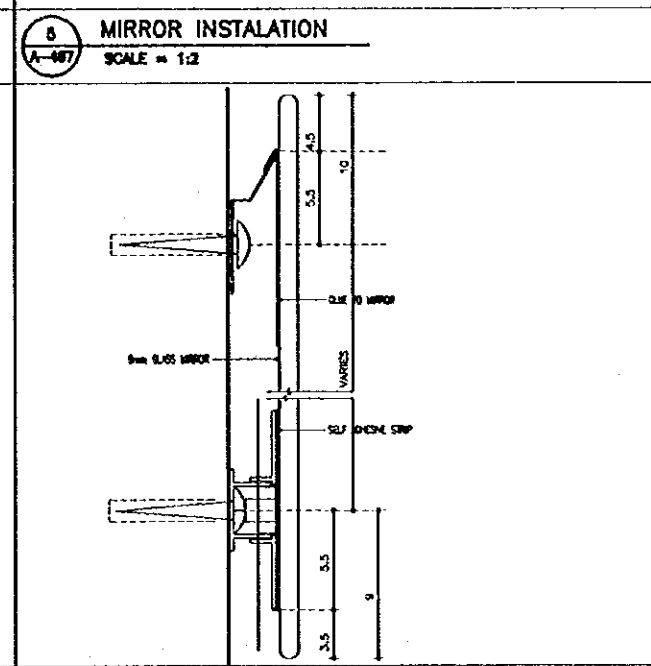
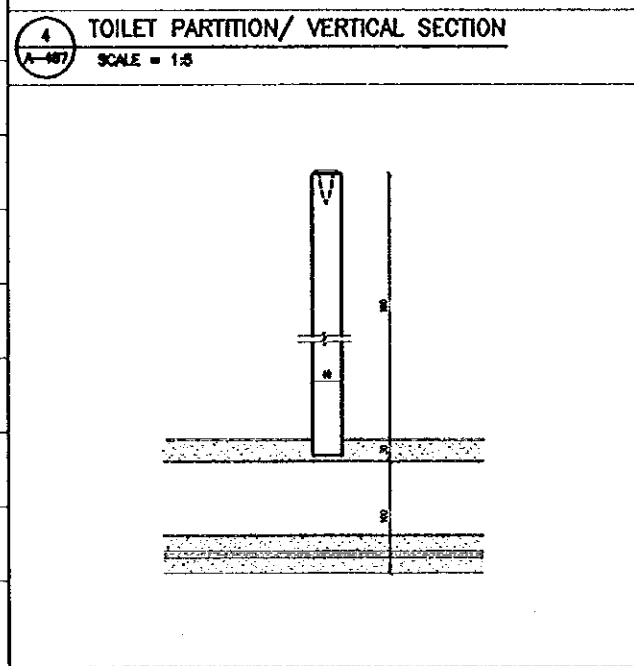
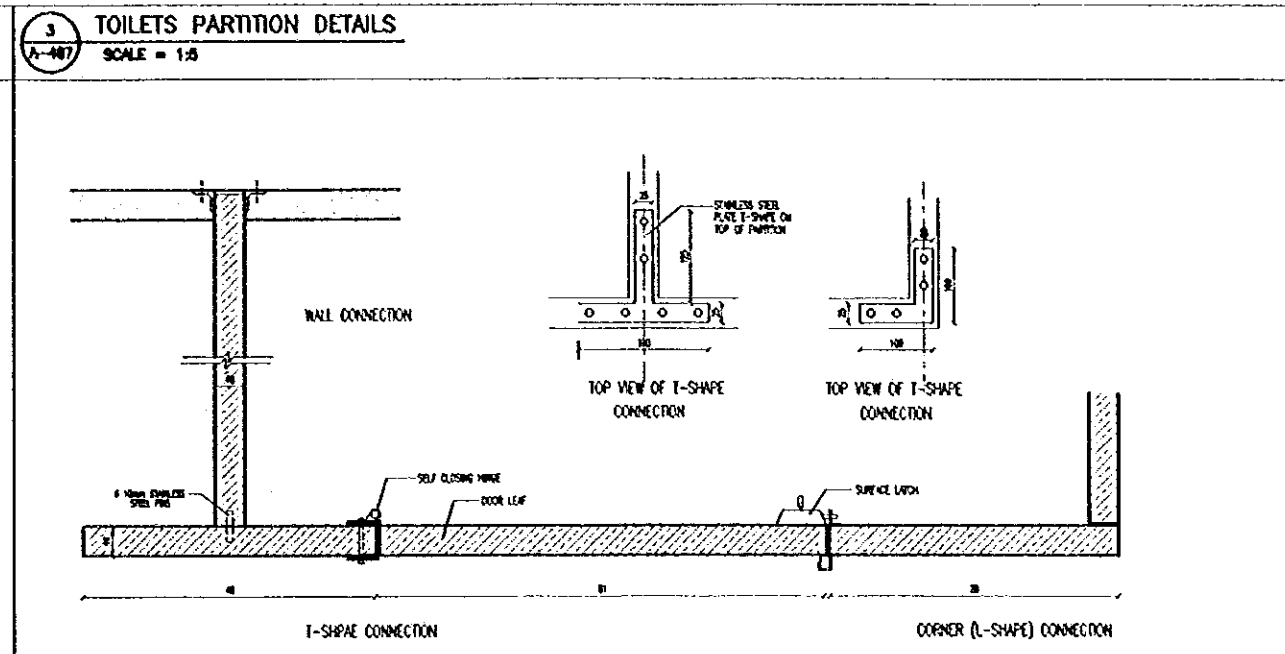
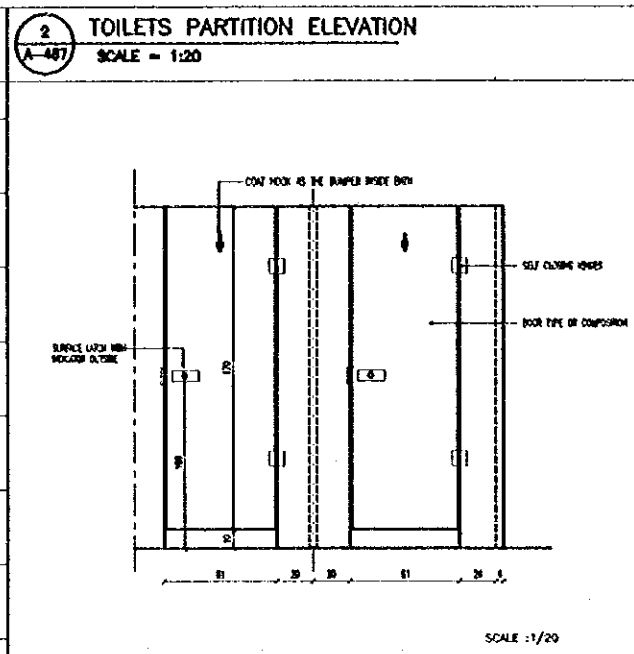
Designed by:  
Japan International Cooperation  
Agency (JICA)  
  
JICA Study Team:  
Joint Venture of  
Pacific Consultants International and  
Yamashita Sekkei Inc.  
  
Subcontracted Local Consultant:  
Jofar Tukon and Partners  
Architects and Engineers

Drawing Title:  
**TOILET (6)**

82

Note:  
This detailed design has been executed by a team  
of consultants as shown below in accordance with  
the agreement between Japan International  
Cooperation Agency (JICA) and JICA Study Team.  
  
The copyright of this drawing rests with JICA.

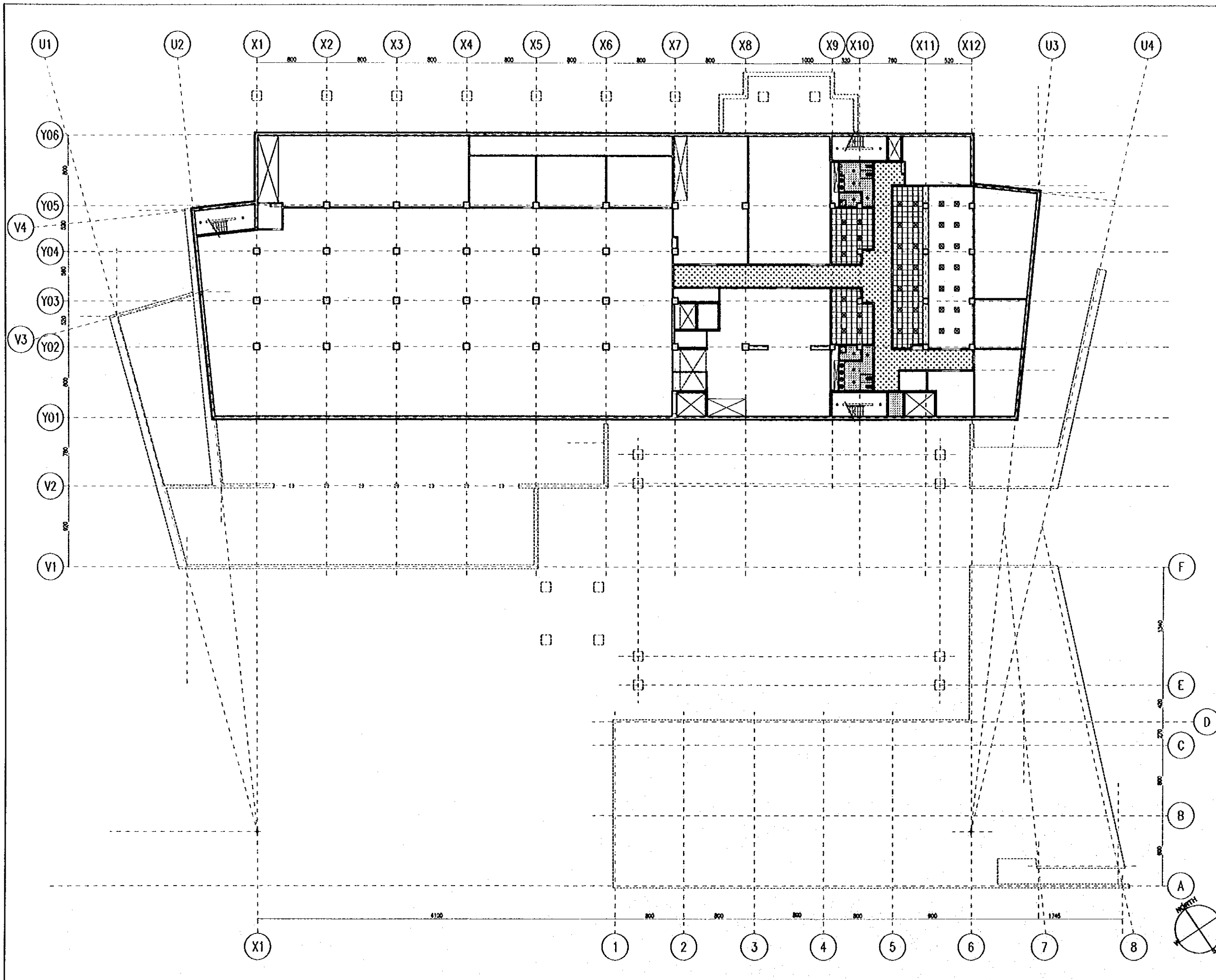
1 TOILET FIXTURES SCALE = N.T.S.			
ITEM	QUANTITY	MATERIAL	REMARKS
COUNTERTOP TYPE WASHBASIN	40	COLORED VITREOUS CHINA	SSX45
WALL MOUNTED W.C.	34	COLORED VITREOUS CHINA	WITH CONCEALED SYSTEM
URINAL	20	COLORED VITREOUS CHINA	
SHOWER TRAY	2	COLORED ACRYLIC	FLOOR SURFACE MOUNTED BOX&O
WALL MOUNTED DUAL ROLL TOILET PAPER DISPENSER	34	STAINLESS STEEL	
PAPER TOWEL DISPENSERS	10	STAINLESS STEEL	
LAVATORY MOUNTED LIQUID SOAP DISPENSER	40	STAINLESS STEEL	
SURFACE MOUNTED COG HOOK	42	STAINLESS STEEL	
SUPPORT ARM "HANDICAPPED"	3	STAINLESS STEEL	
TOILET PAPER HOLDER	34	STAINLESS STEEL	
HAND DRYER	10	STAINLESS STEEL	
CLEANER SHK	3	COLORED VITREOUS CHINA	
WALL MOUNTED WASHBASIN "HANDICAPPED"	1	COLORED VITREOUS CHINA	
WALL MOUNTED WASHROOM W.C. "HANDICAPPED"	3	COLORED VITREOUS CHINA	



Designed by:  
Japan International Cooperation Agency (JICA)  
JICA Study Team:  
Joint Venture of  
Pacific Consultants International and  
Yamasita Sekkel Inc.  
  
Subcontracted Local Consultant:  
Jafar Iukan and Partners  
Architects and Engineers

Drawing Title:  
**TOILET DETAILS**  
  
Scale:  
1:2, 1:5, 1:20  
Drawing No.:  
A-487

Note:  
This detailed design has been executed by a team  
of consultants as shown below in accordance with  
the agreement between Japan International  
Cooperation Agency (JICA) and JICA Study Team.  
  
The copyright of this drawing rests with JICA.



- LEGEND**
- A-Emp ON GYPSUM BOARD
  - A-Emp ON WATER REPELANT GYPSUM BOARD
  - MINERAL ACOUSTIC CEILING TILE (60X60X1.8)
  - WOOD PANELING FACED WITH OAK VENEER POLYURETHANE CLEAR WOOD FINISH
  - STEEL TUBE GRID CEILING SYSTEM WITH STEEL MESH W/S.O.P. FINISH
  - A-Emp ON FAIR FACED CONCRETE
  - LIGHTING FIXTURE
  - SPOT LIGHT

Designed by:  
Japan International Cooperation Agency (JICA)  
JICA Study Team:  
Joint Venture of  
Pacific Consultants International and  
Yamasita Setkel Inc.  
  
Subcontracted Local Consultant:  
Jafor Tukan and Partners  
Architects and Engineers

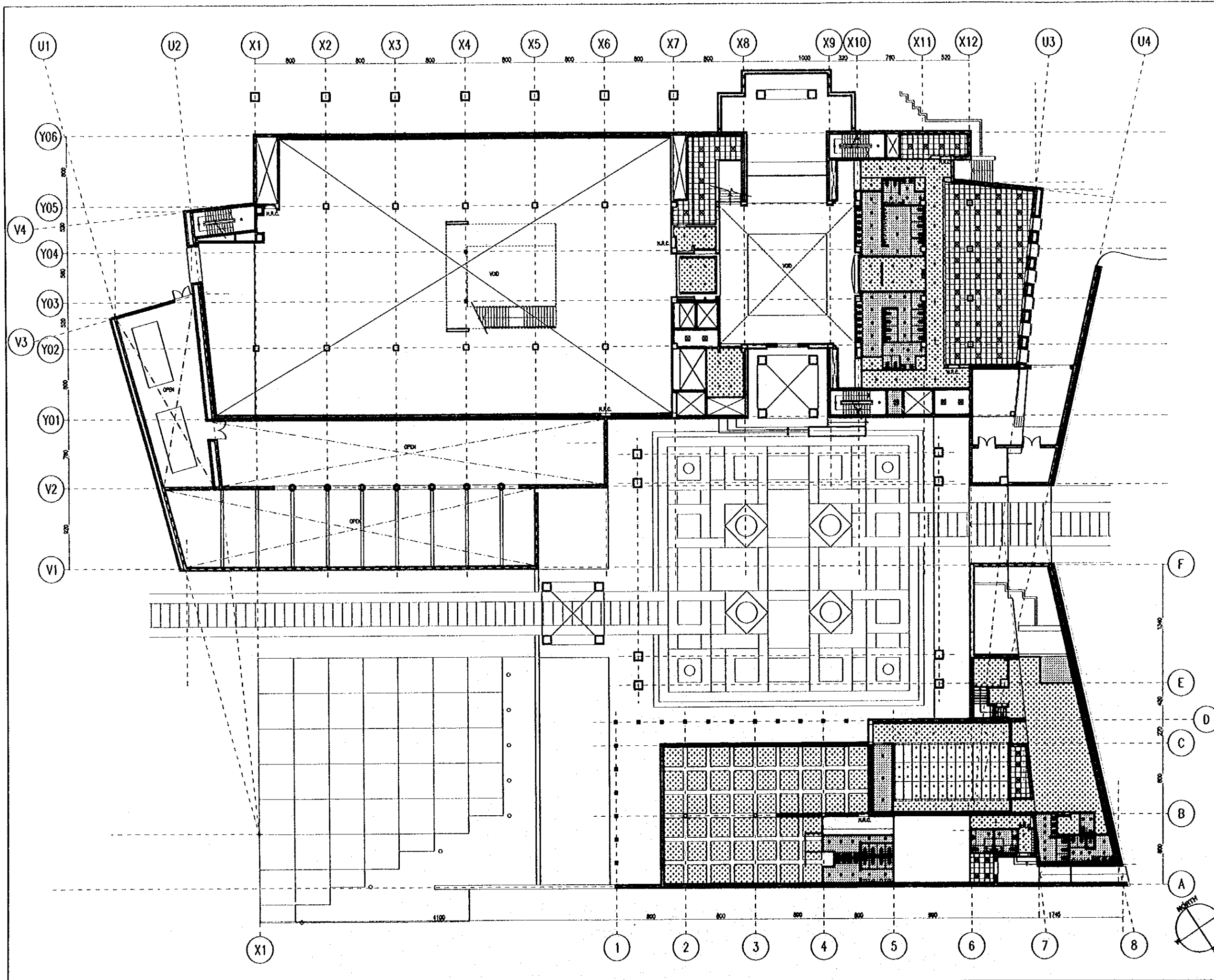
Drawing Title:  
**CEILING PLAN  
BASEMENT FLOOR**  
Scale: 1:200 Drawing No: A-501



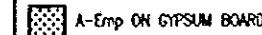

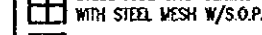
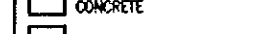


Note:

This detailed design has been executed by a team of consultants as shown below in accordance with the agreement between Japan International Cooperation Agency (JICA) and JICA Study Team.

The copyright of this drawing rests with JICA.



LEGEND

-  A-Emp ON GYPSUM BOARD
-  A-Emp ON WATER REPELANT GYPSUM BOARD
-  MINERAL ACOUSTIC CEILING TILE (60X60X1.8)
-  WOOD PANELING FACED WITH OAK VENEER POLYURETHANE CLEAR WOOD FINISH
-  STEEL TUBE GRID CEILING SYSTEM WITH STEEL MESH W/S.O.P. FINISH
-  A-Emp ON FAIR FACED CONCRETE
-  LIGHTING FIXTURE
-  SPOT LIGHT

Designed by:

Japan International Cooperation Agency (JICA)

JICA Study Team:

Joint Venture of Pacific Consultants International and Yamasita Sekkel Inc.

Subcontracted Local Consultant:

Jafar Tukon and Partners Architects and Engineers

Drawing Title:

CEILING PLAN  
GROUND FLOOR

Scale:

1:200

Drawing No.:

A-502