

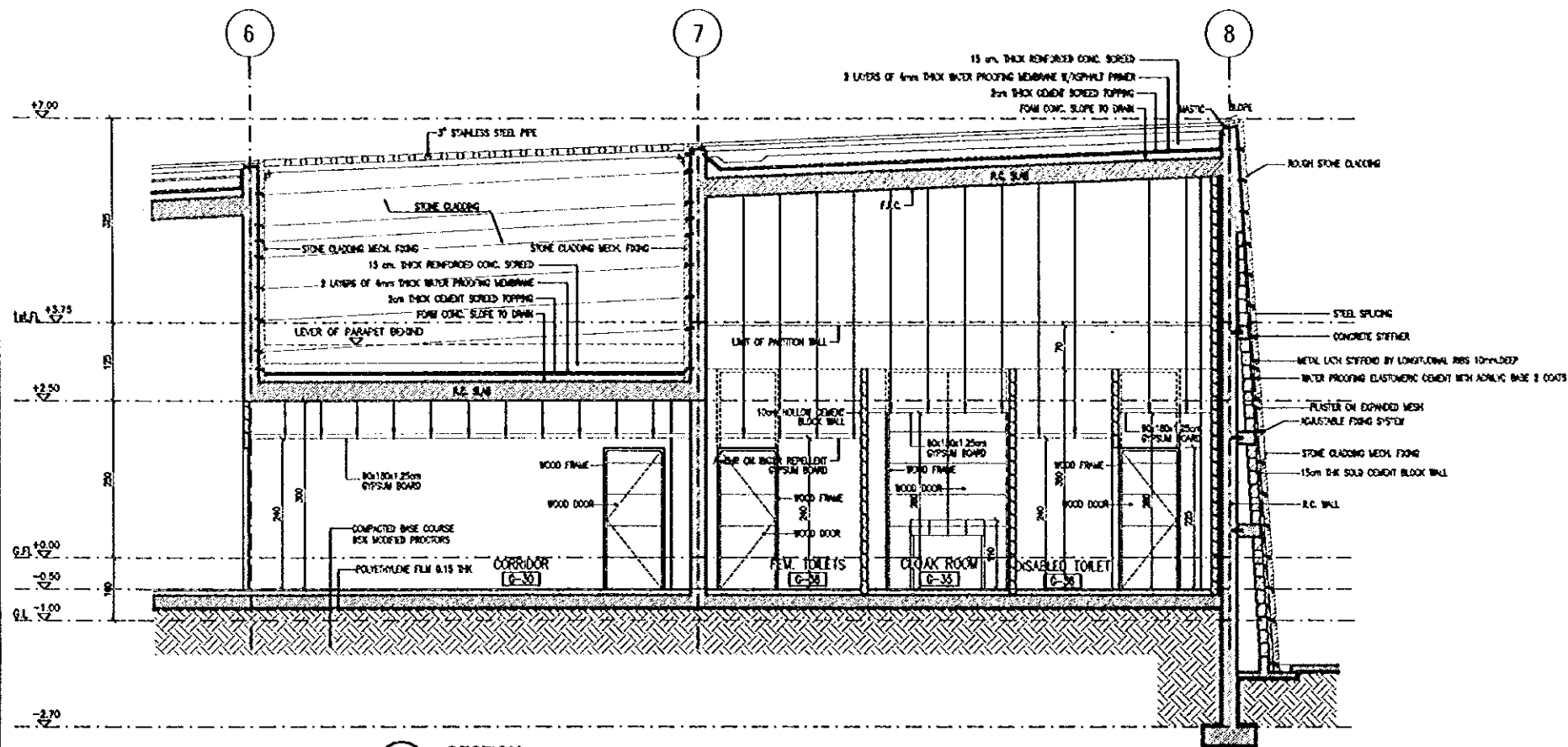
Sub-Project:

NATIONAL MUSEUM

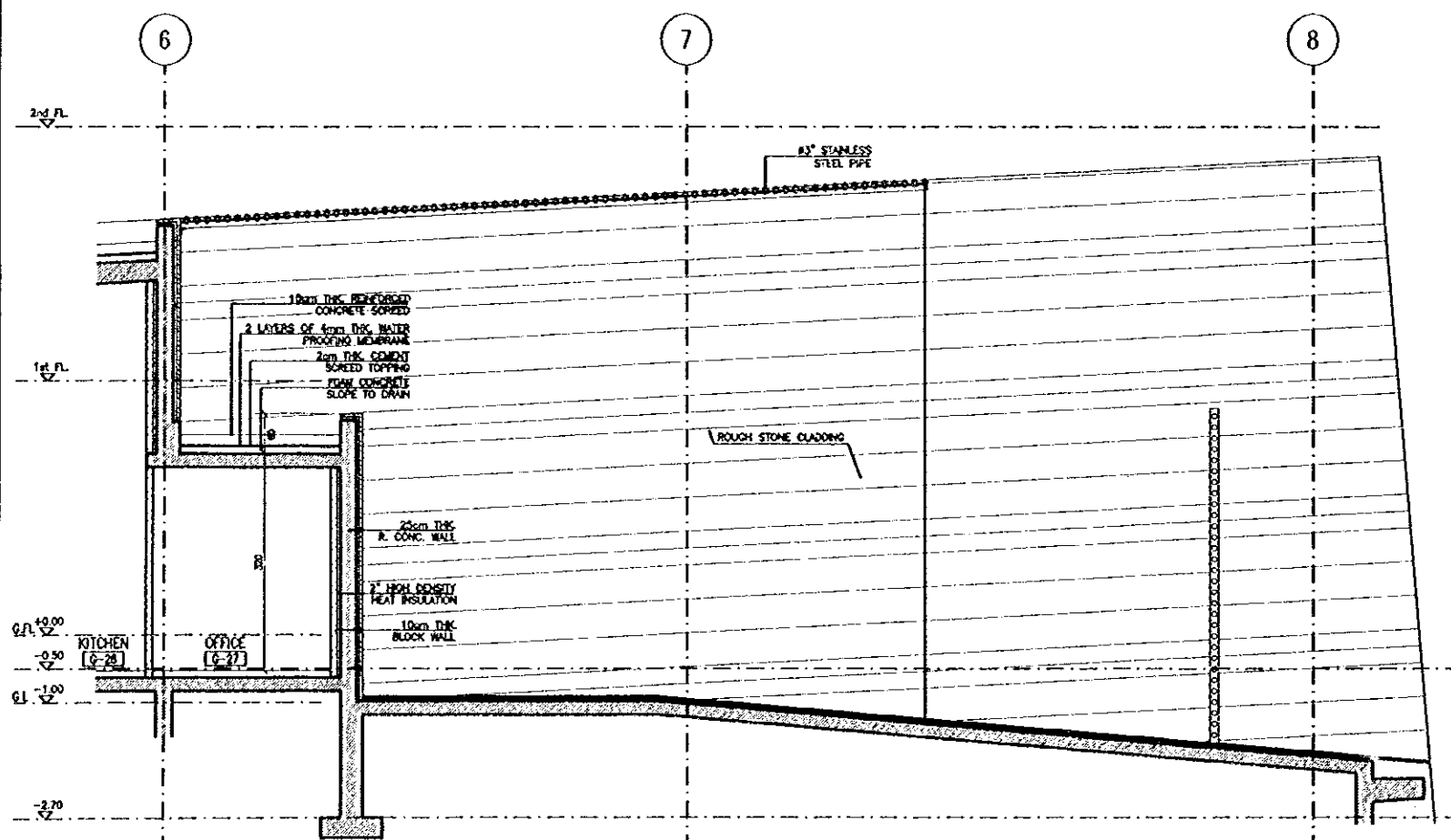
Note:

This detailed design has been executed by a team
of consultants as shown below in accordance with
the agreement between Japan International
Cooperation Agency (JICA) and JICA Study Team.

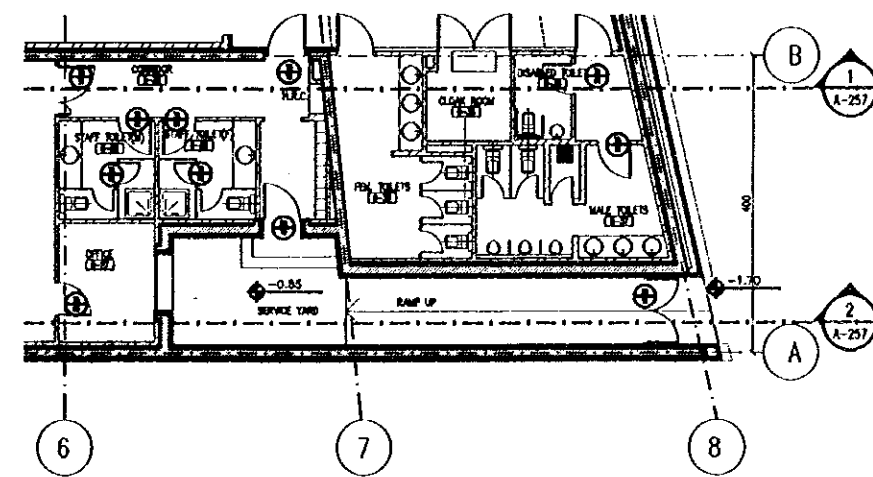
The copyright of this drawing rests with JICA.



1 SECTION
A-257 SCALE = 1:50



2 SECTION
A-257 SCALE = 1:50



Designed by:

Japan International Cooperation
Agency (JICA)

JICA Study Team:

Joint Venture of
Pacific Consultants International and
Yanosita Sekkei Inc.

Subcontracted Local Consultant:

Jafar Tukan and Partners
Architects and Engineers

Drawing Title:

WALL SECTION (7)

Scale:

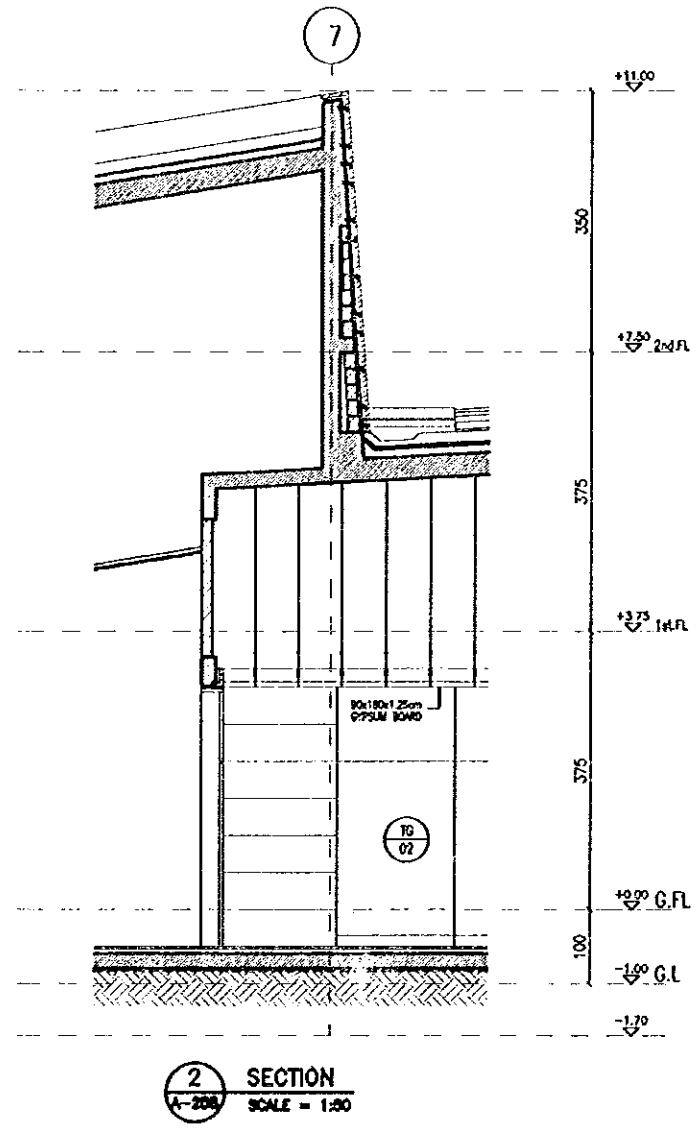
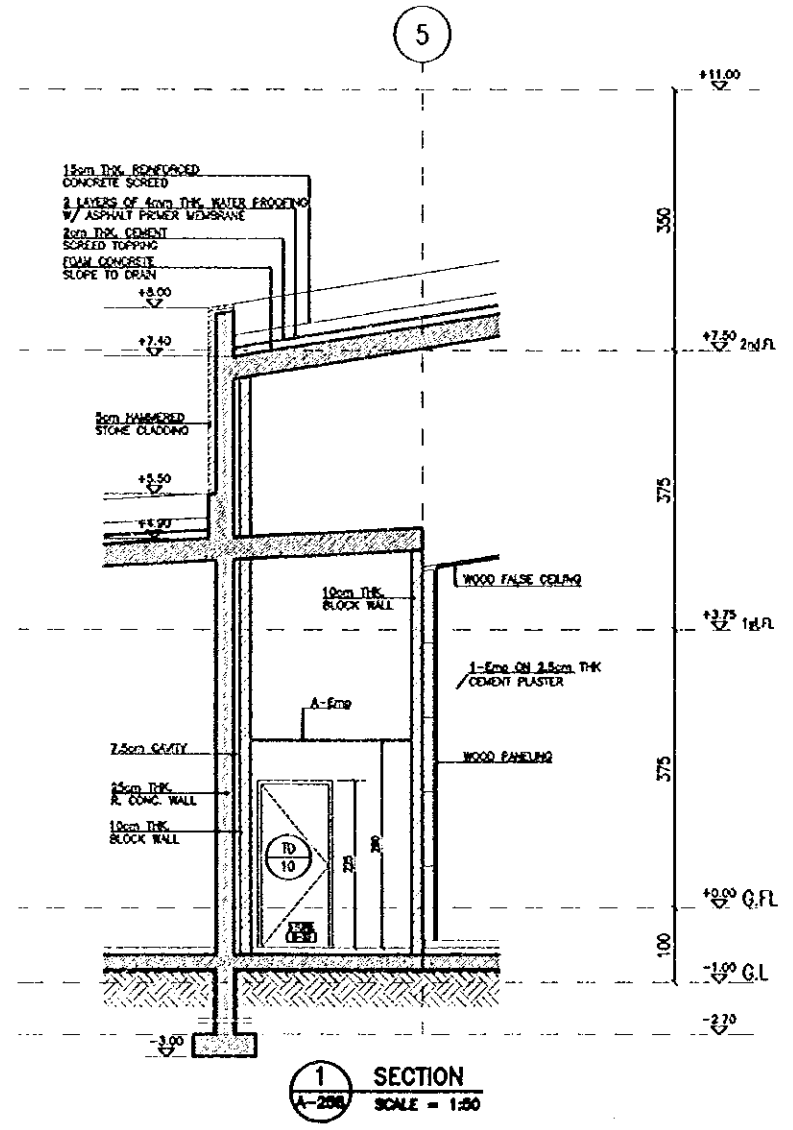
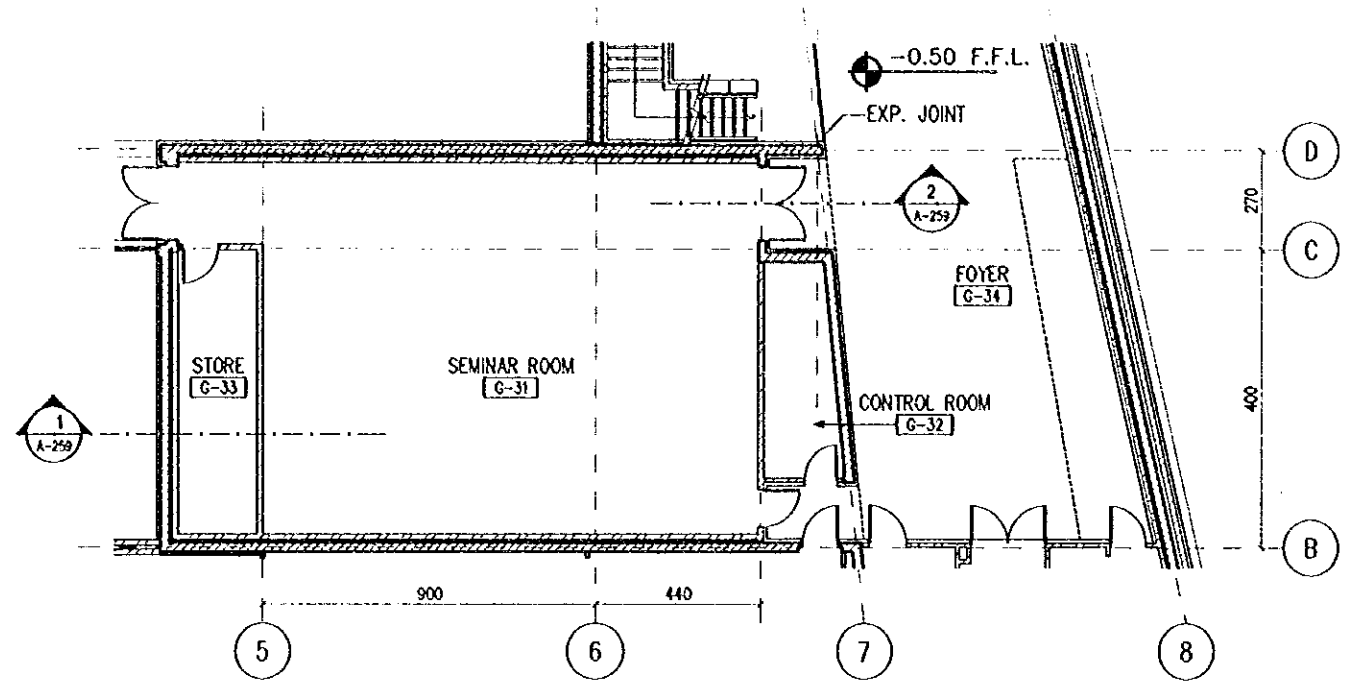
1:50

Drawing No.:

A-257

Note:
This detailed design has been executed by a team
of consultants as shown below in accordance with
the agreement between Japan International
Cooperation Agency (JICA) and JICA Study Team.

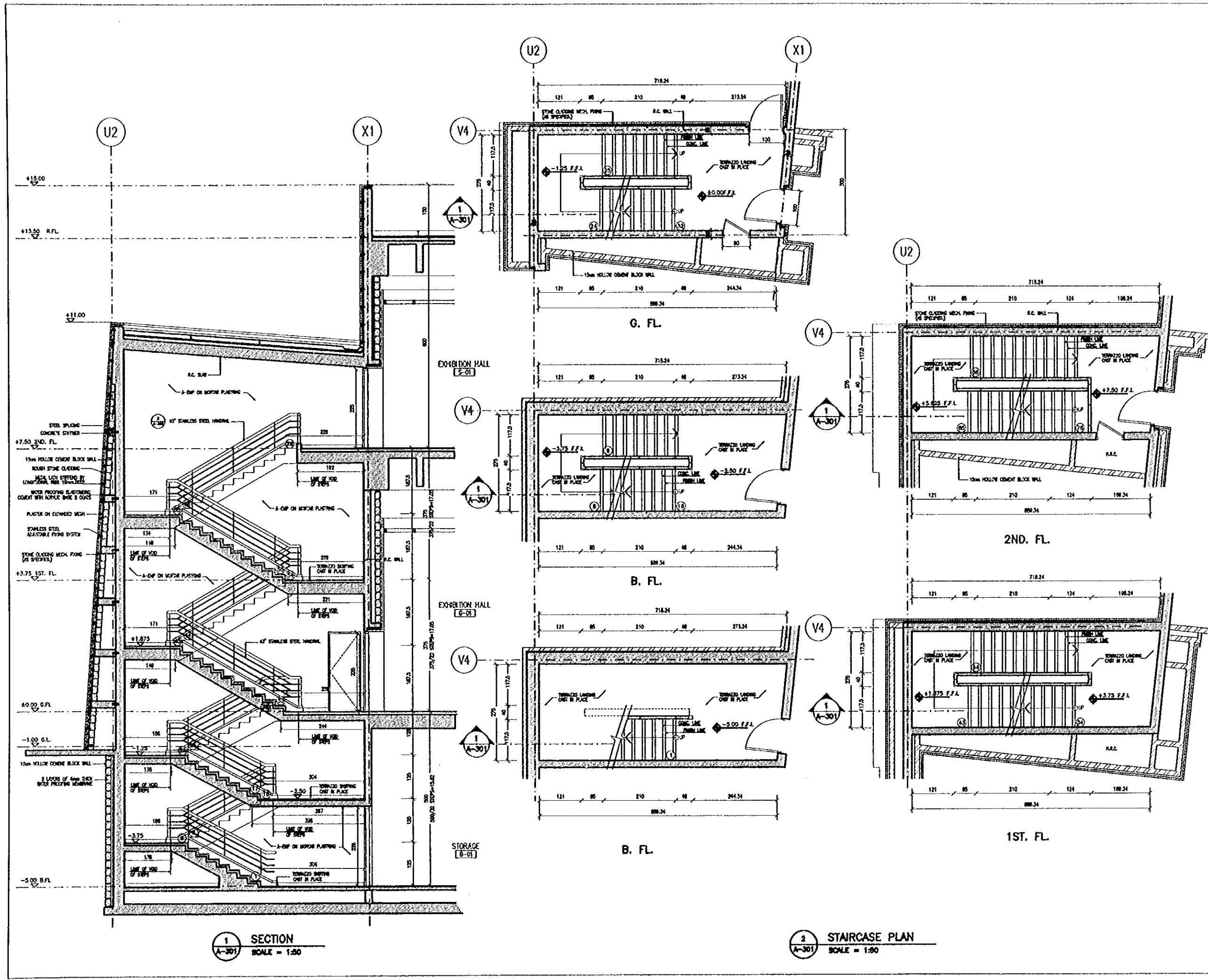
The copyright of this drawing rests with JICA.



Designed by:
Japan International Cooperation
Agency (JICA)
JICA Study Team:
Joint Venture of
Pacific Consultants International and
Yamasa Sekkei Inc.
Subcontracted Local Consultant:
Jafar Tukon and Partners
Architects and Engineers

Drawing Title:
WALL SECTION (8)

Scale: **1:30** Drawing No.: **A-258**



1 SECTION
SCALE = 1:30

2 STAIRCASE PLAN
SCALE = 1:30

Designed by:
Japan International Cooperation Agency (JICA)
JICA Study Team:
Joint Venture of Pacific Consultants International and Yamashita Sekkei Inc.
Subcontracted Local Consultant:
Jafor Tukan and Partners Architects and Engineers

Drawing Title:
STAIRCASE (1)

Scale: 1:30
Drawing No.: A-301

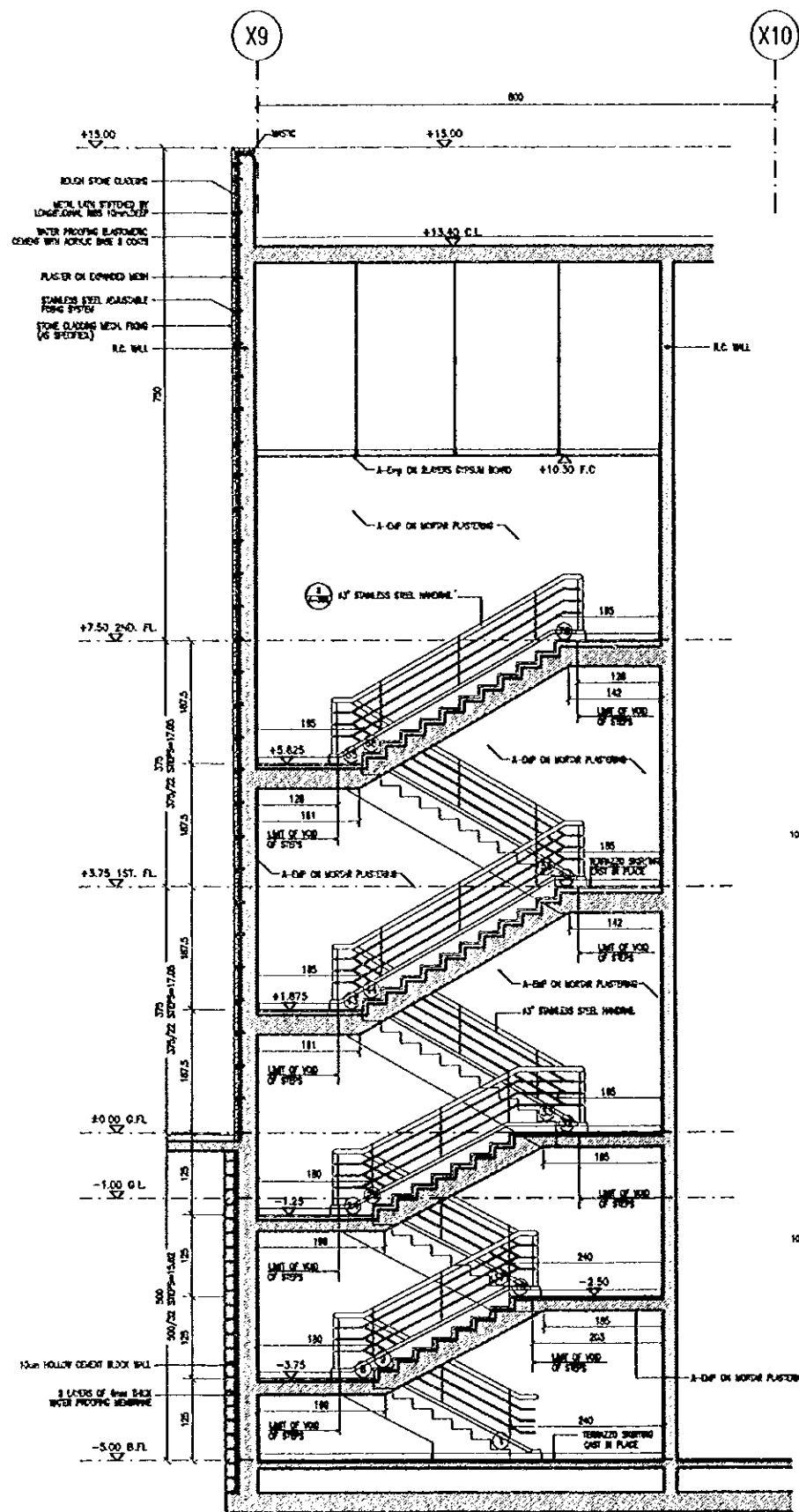
S.O. Project:

NATIONAL MUSEUM

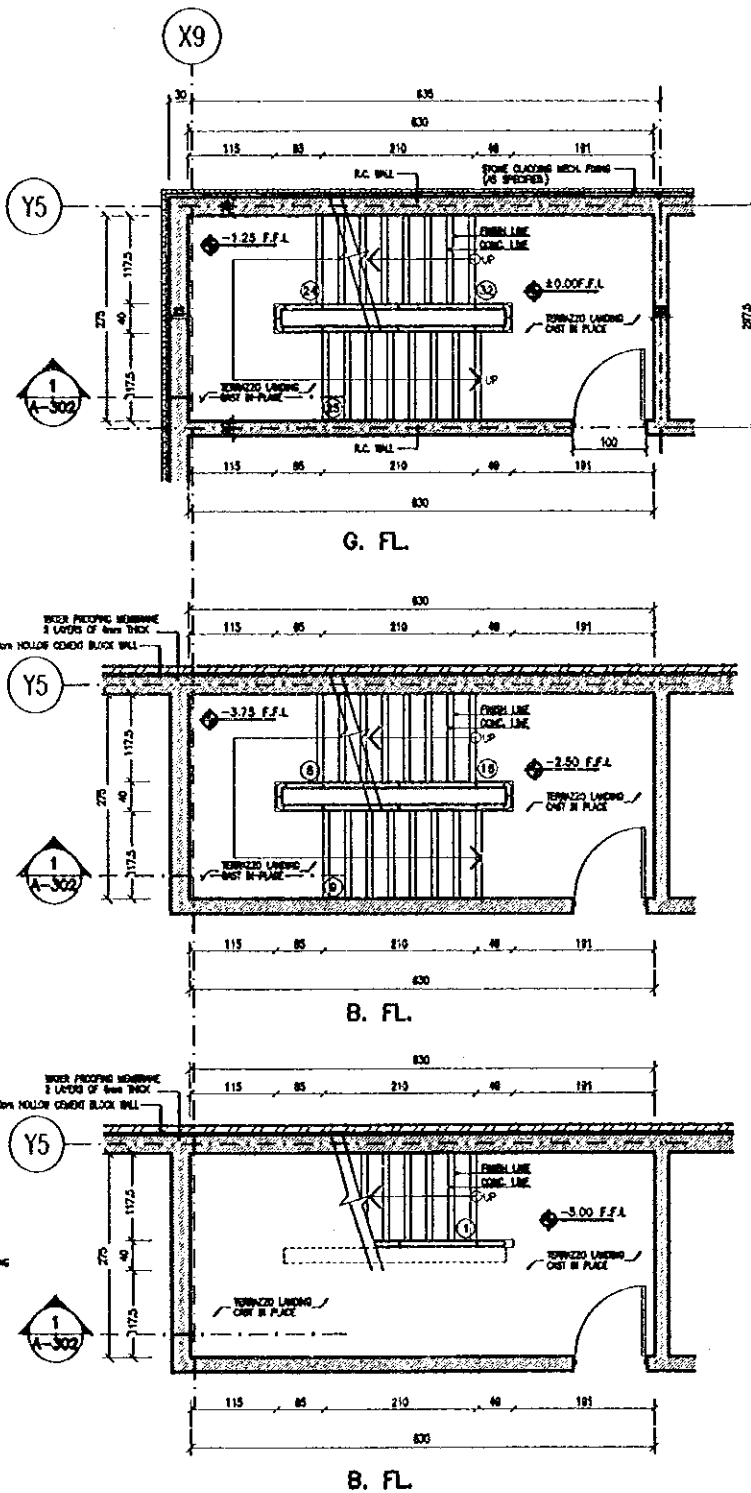
Note:

This detailed design has been executed by a team of consultants as shown below in accordance with the agreement between Japan International Cooperation Agency (JICA) and JICA Study Team.

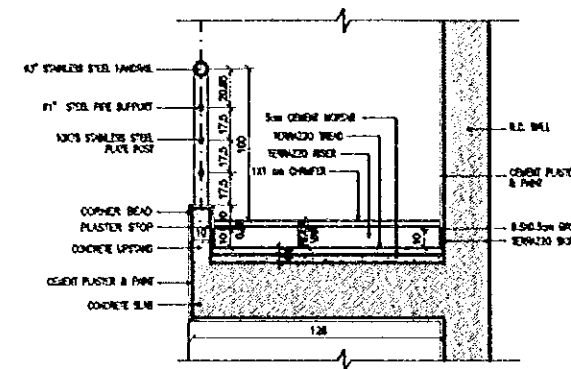
The copyright of this drawing rests with JICA.



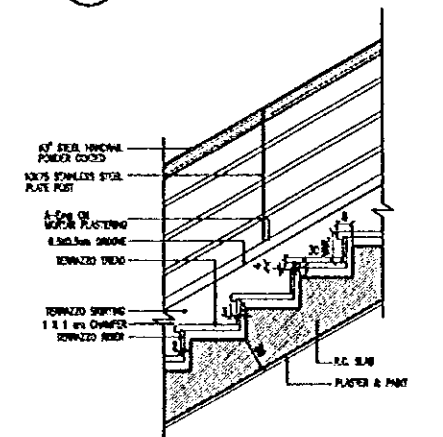
1 SECTION
A-302 SCALE = 1:50



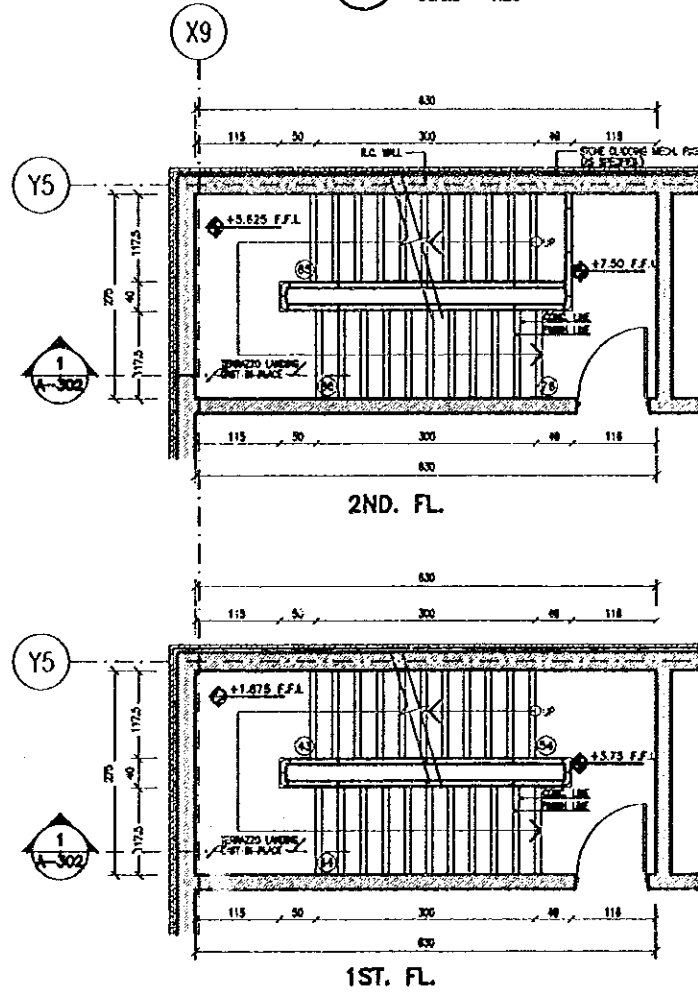
2 STAIRCASE PLAN
A-302 SCALE = 1:50



3 SECTION AT TREAD
A-302 SCALE = 1:20



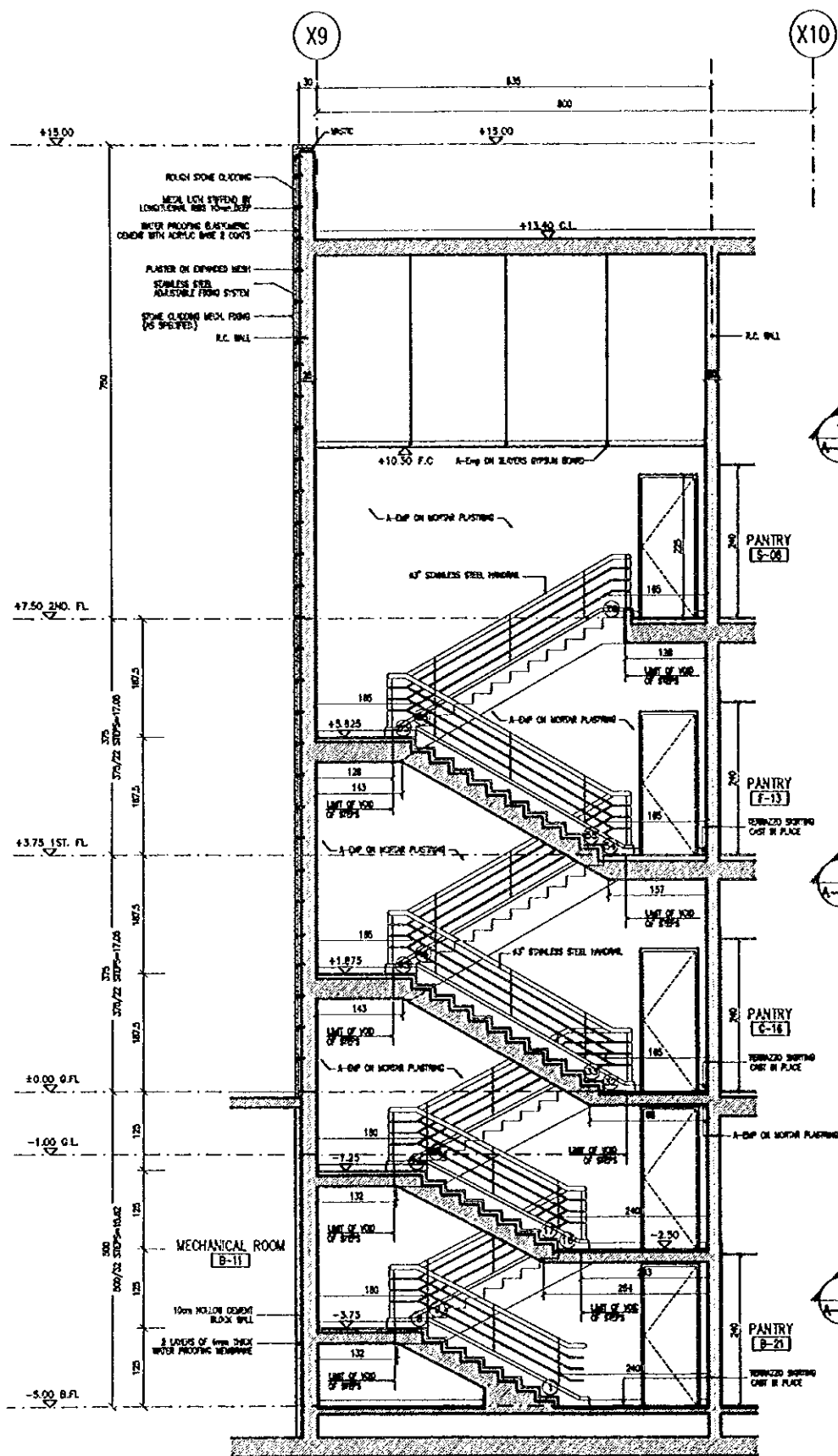
4 STEP DETAIL
A-302 SCALE = 1:20



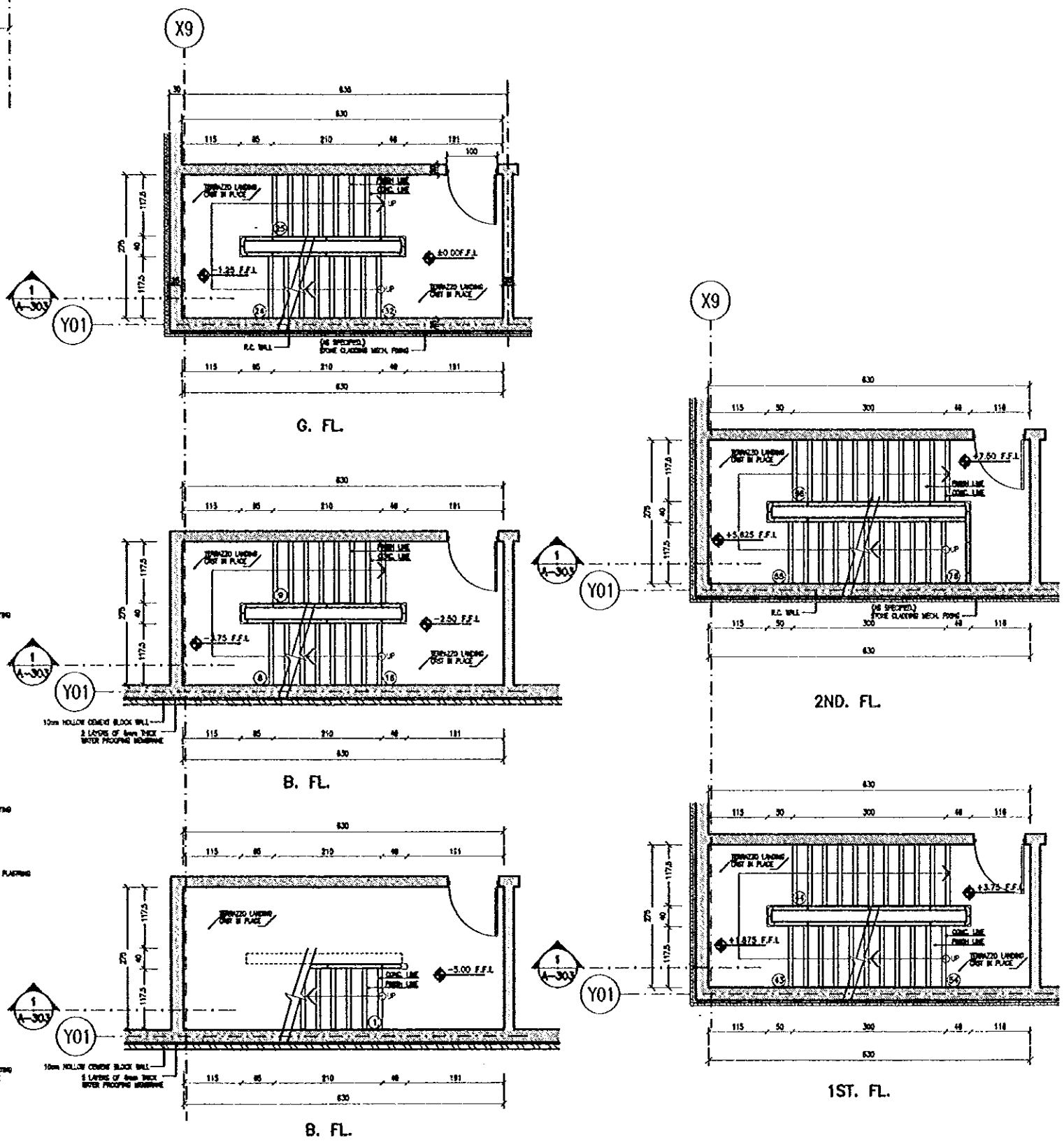
Designed by:
Japan International Cooperation Agency (JICA)
JICA Study Team:
Joint Venture of Pacific Consultants International and Yomotsu Sekkei Inc.
Subcontracted Local Consultant:
Jafar Tukan and Partners Architects and Engineers

Drawing Title:
STAIRCASE (2)

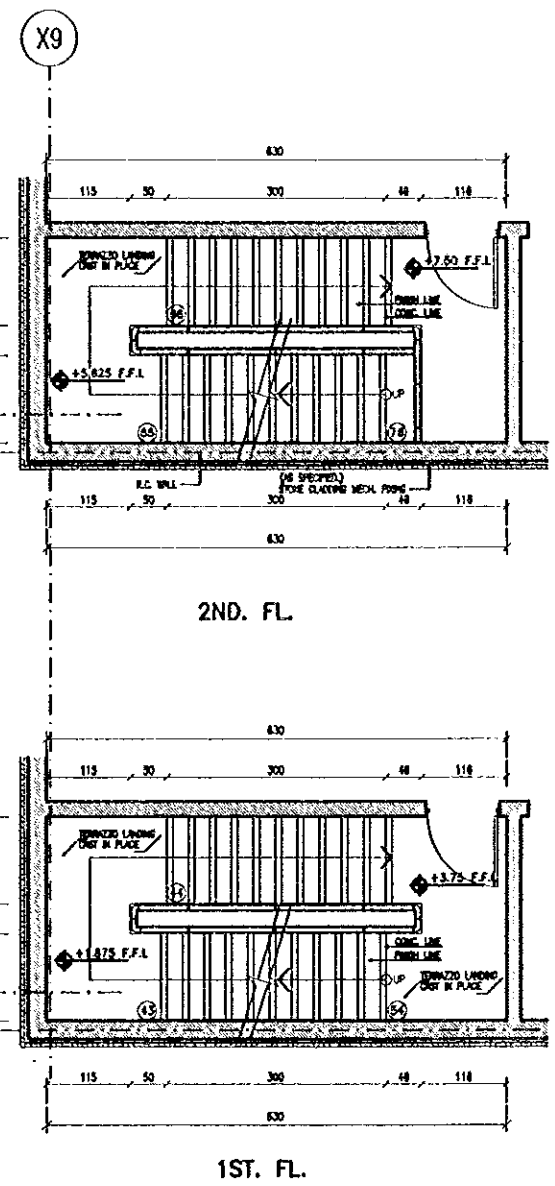
Scale: 1:50, 1:20
Drawing No.: A-302



1 SECTION
A-303 SCALE = 1:50



2 STAIRCASE PLAN
A-303 SCALE = 1:50



1ST. FL.

2ND. FL.

G. FL.

B. FL.

B. FL.

Designed by:

Japan International Cooperation Agency (JICA)

JICA Study Team:

Joint Venture of Pacific Consultants International and Yamasa Sekkel Inc.

Subcontracted Local Consultant:

Jafar Tukan and Partners Architects and Engineers

Drawing Title:

STAIRCASE (3)

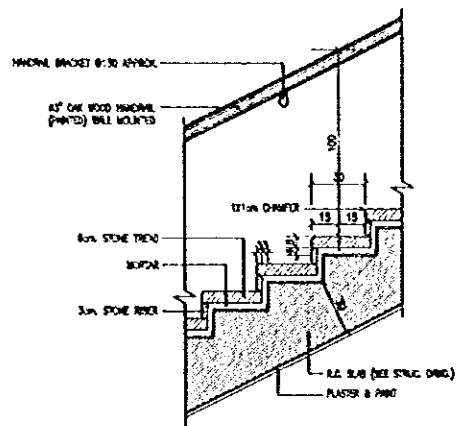
Scale:

1:50

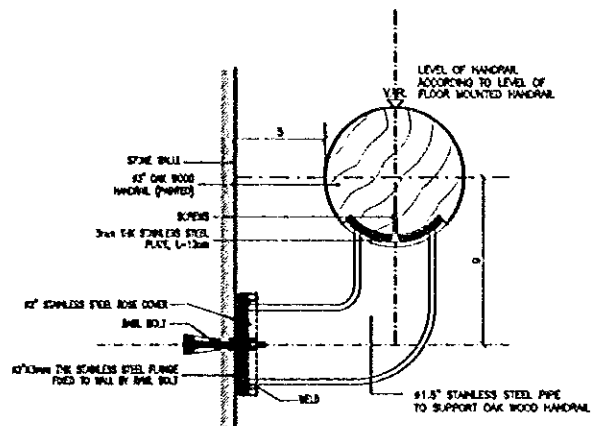
Drawing No.:

A-303

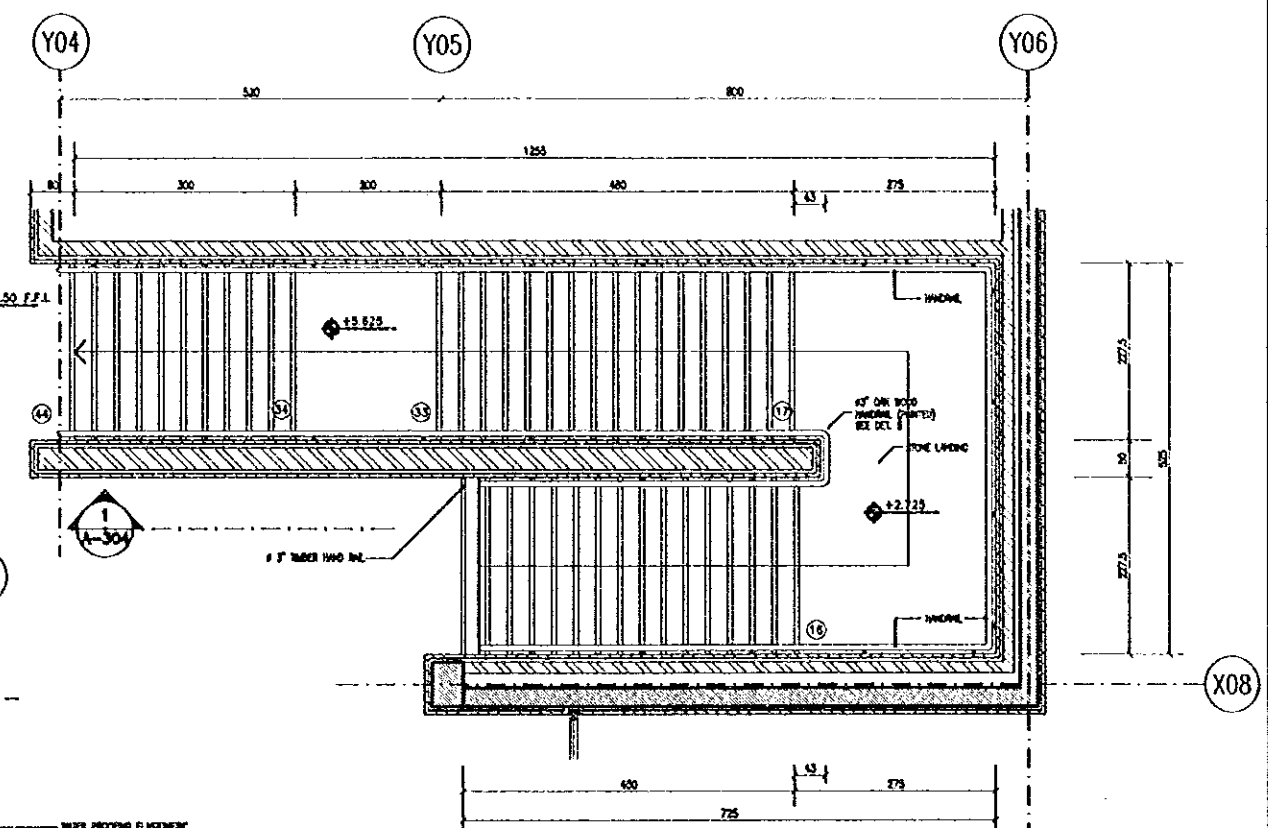
Note:
This detailed design has been executed by a team of consultants as shown below in accordance with the agreement between Japan International Cooperation Agency (JICA) and JICA Study Team.
The copyright of this drawing rests with JICA.



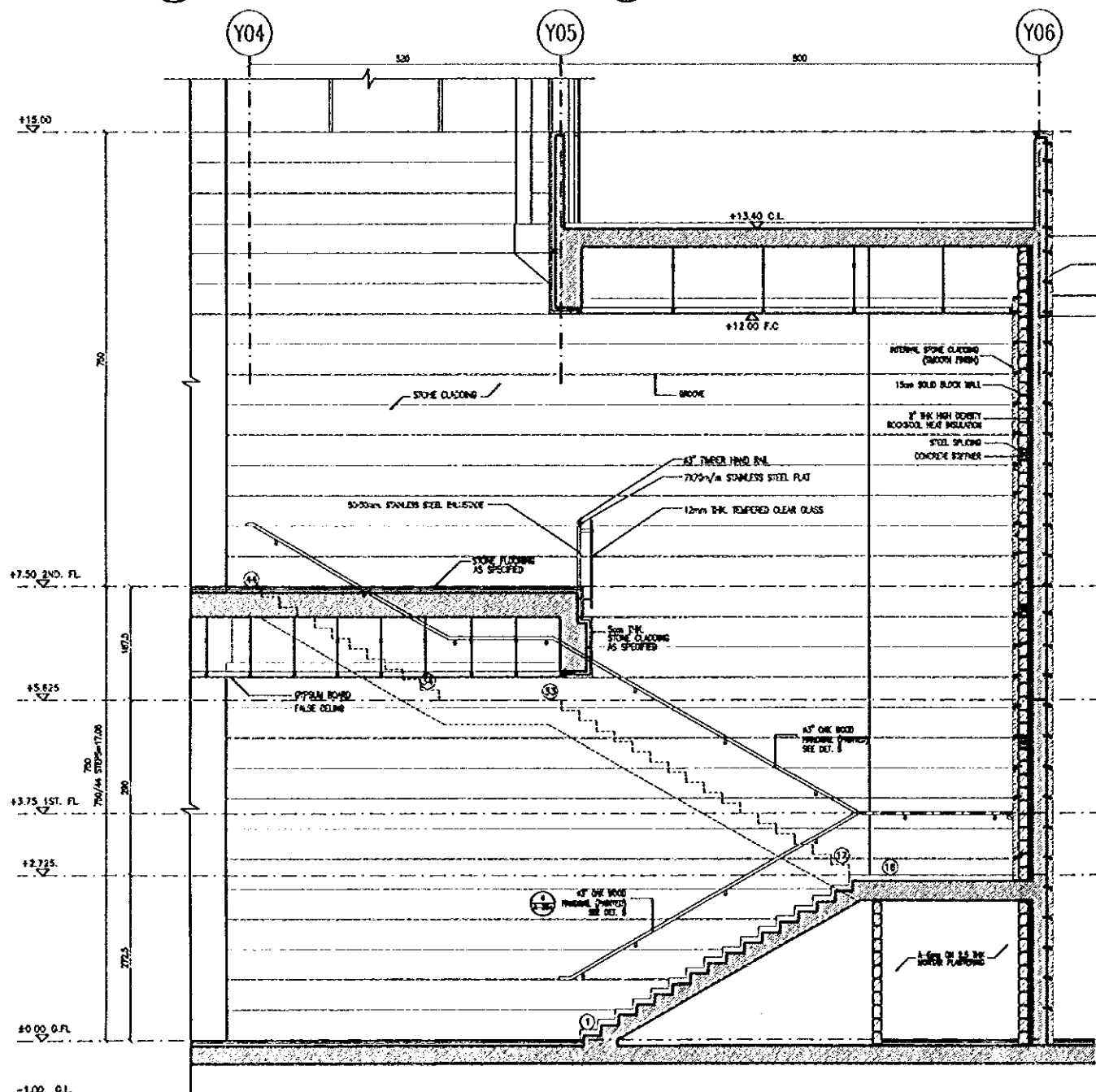
3 DETAIL AT STONE STEPS
A-304 SCALE = 1:20



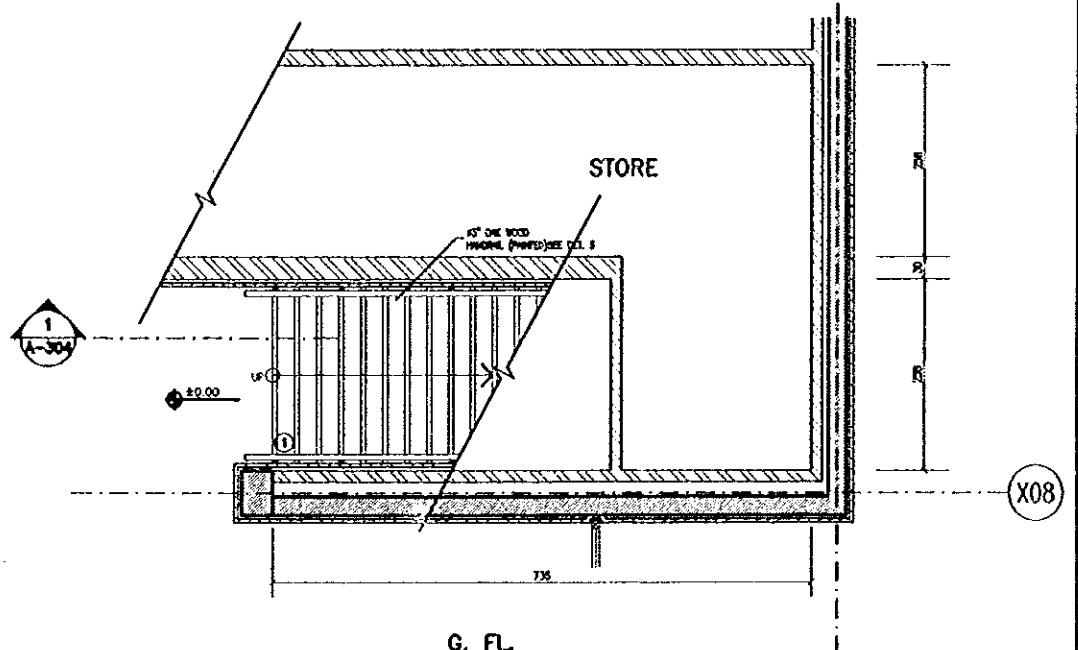
4 STAIRS HANDRAIL BRACKET
A-304 SCALE = 1:2



2ND. FL.



1 SECTION
A-304 SCALE = 1:50



G. FL.

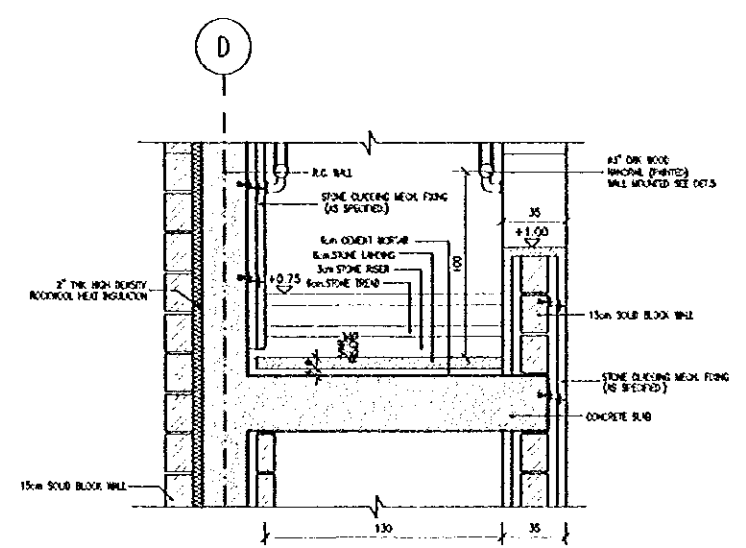
2 STAIRCASE PLAN
A-304 SCALE = 1:50

Designed by:
Japan International Cooperation Agency (JICA)
JICA Study Team:
Joint Venture of
Pacific Consultants International and
Yamasita Sekkei Inc.
Subcontracted Local Consultant:
Jafor Tukan and Partners
Architects and Engineers

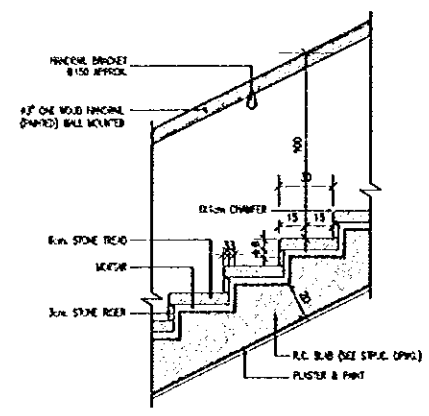
Drawing Title:
STAIRCASE (4)

Scale: 100, 12 Drawing No.: A-304

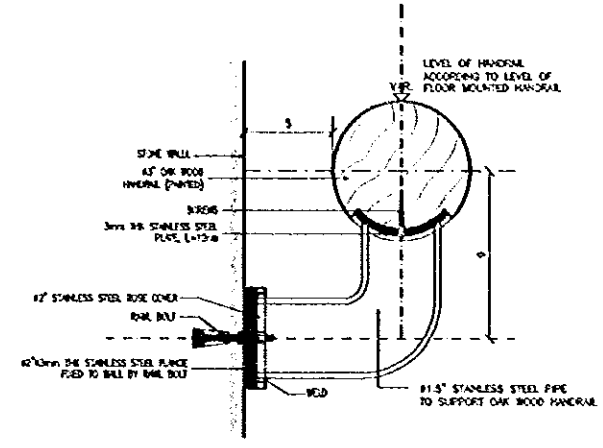
Note:
This detailed design has been executed by a team of consultants as shown below in accordance with the agreement between Japan International Cooperation Agency (JICA) and JICA Study Team.
The copyright of this drawing rests with JICA.



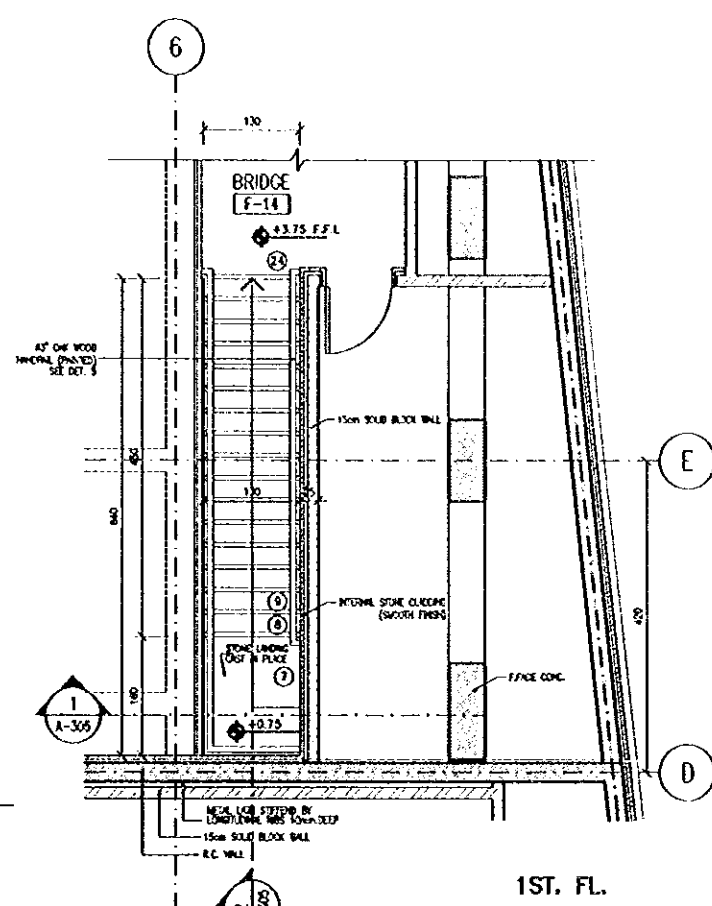
4 SECTION AT TREAD
A-305 SCALE = 1:20



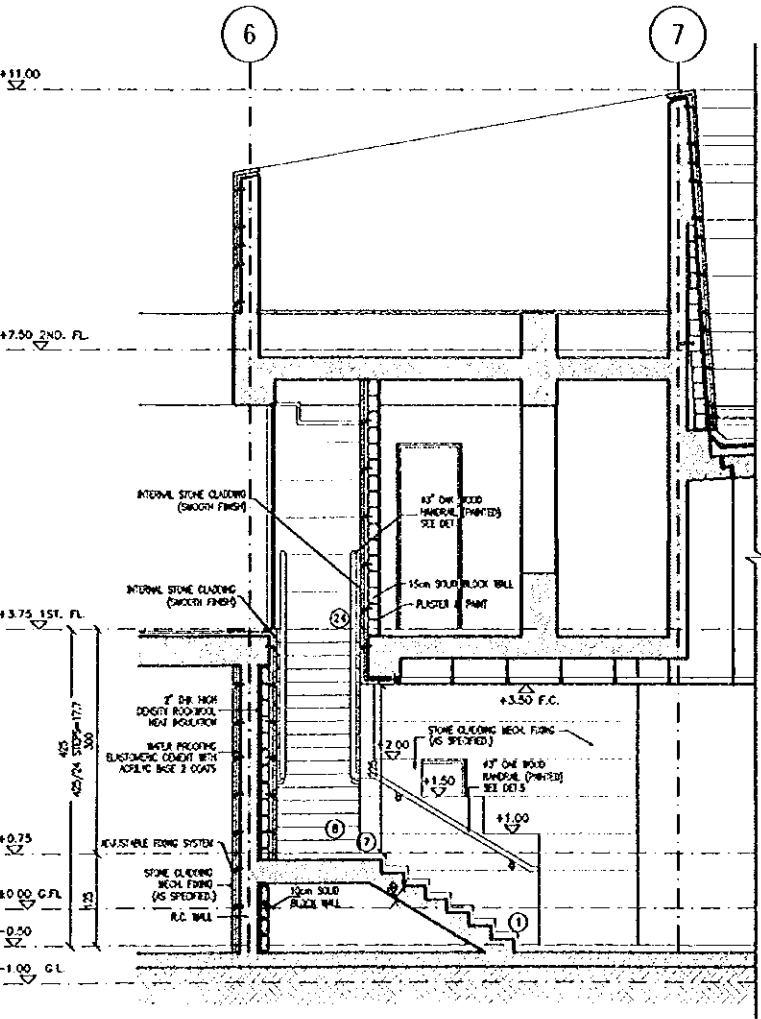
5 STEP DETAIL
A-305 SCALE = 1:20



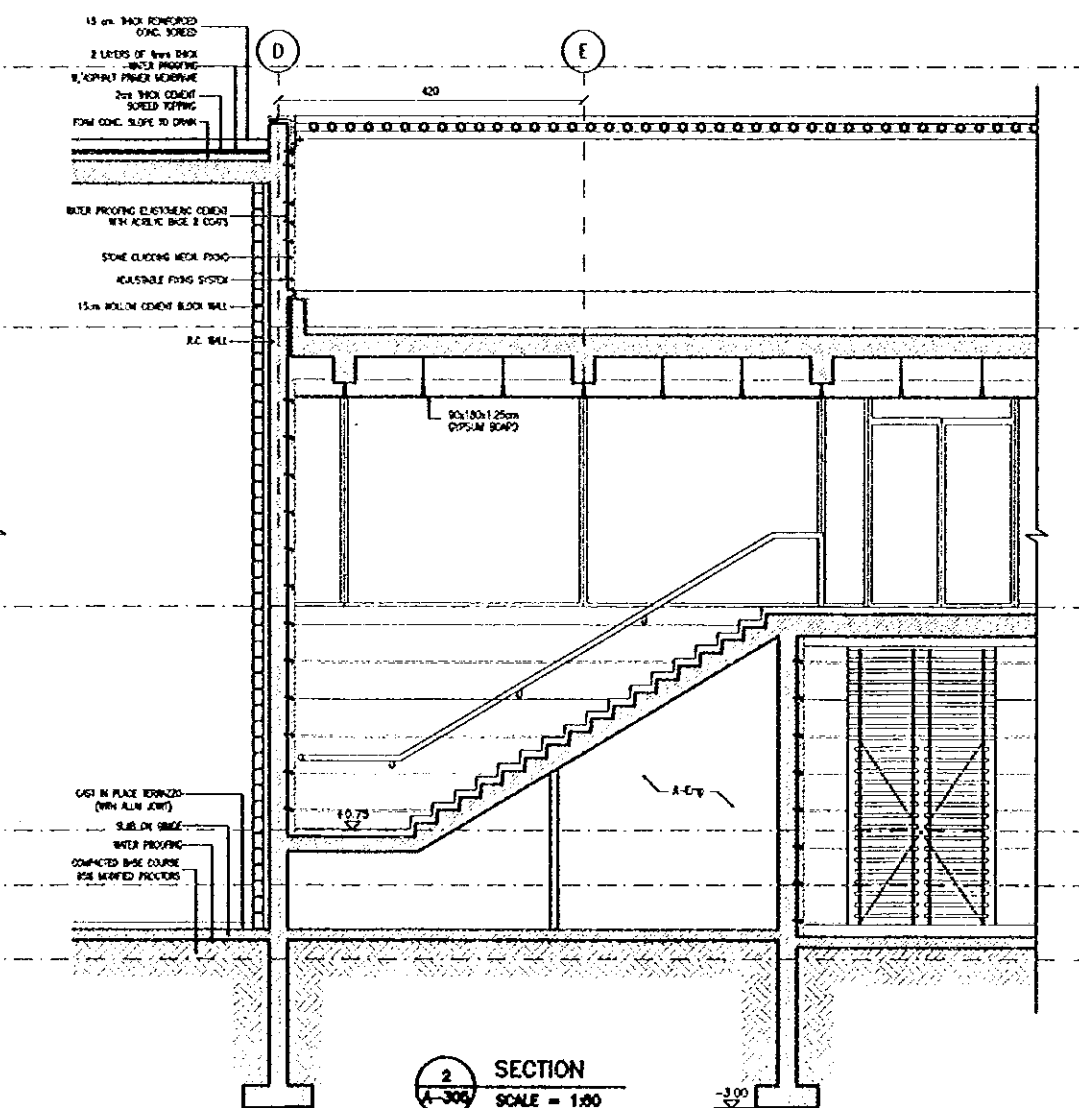
6 WALL MOUNTED HANDRAIL
A-305 SCALE = 1:2



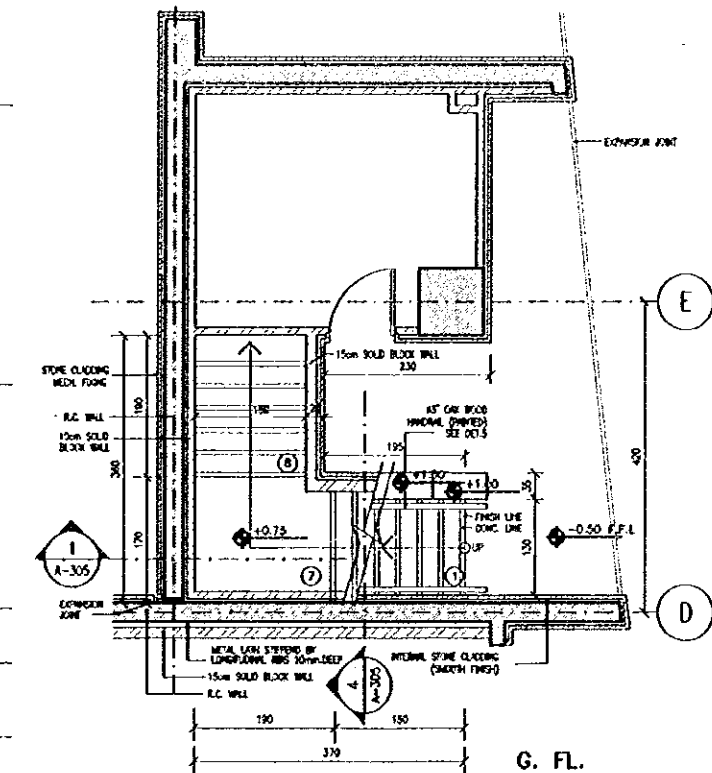
7 1ST. FL.



1 SECTION
A-305 SCALE = 1:50



2 SECTION
A-305 SCALE = 1:50



3 STAIRCASE PLAN
A-305 SCALE = 1:50

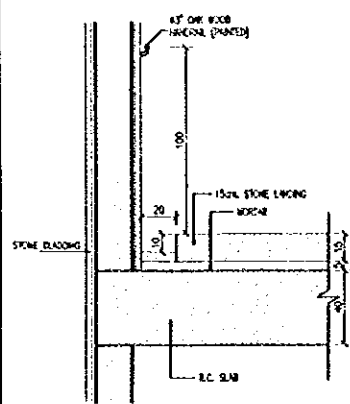
Designed by:
Japan International Cooperation Agency (JICA)
JICA Study Team:
Joint Venture of
Pacific Consultants International and
Yamashita Sokkel Inc.
Subcontracted Local Consultant:
Jafor Tukan and Partners
Architects and Engineers

Drawing Title:
STAIRCASE (5)

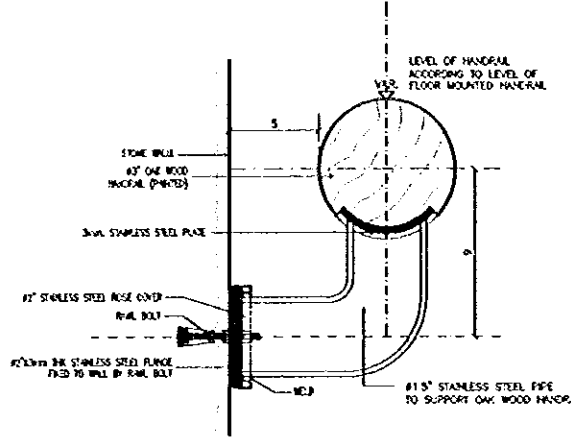
Scale:
1:50, 1:20, 1:2

Drawing No.:
A-305

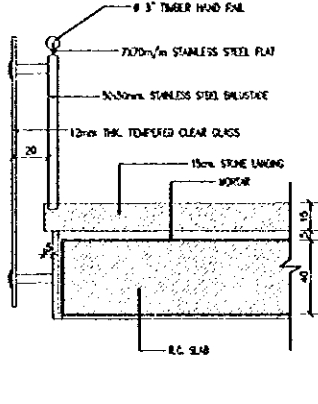
Note:
This detailed design has been executed by a team of consultants as shown below in accordance with the agreement between Japan International Cooperation Agency (JICA) and JICA Study team.
The copyright of this drawing rests with JICA.



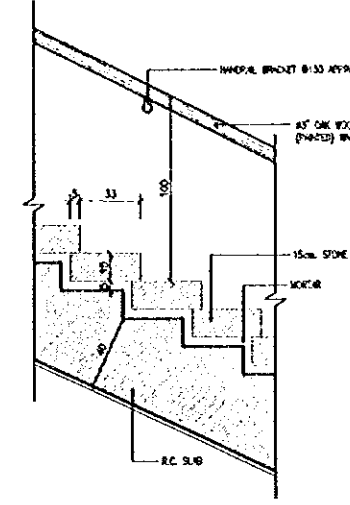
7 TREAD EDGE W/ WALL
A-306 SCALE = 1:20



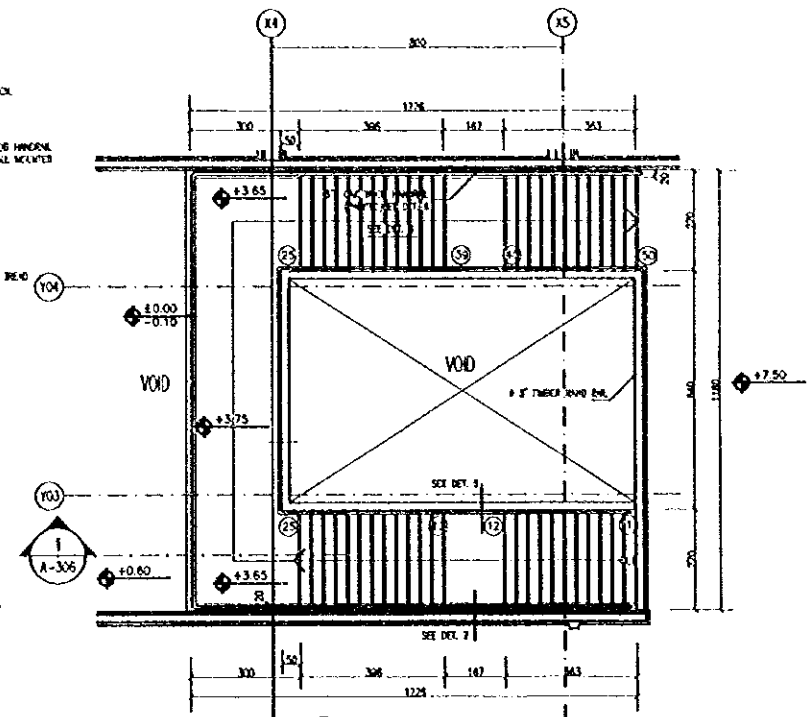
8 WALL MOUNTED HANDRAIL DETAIL
A-306 SCALE = 1:2



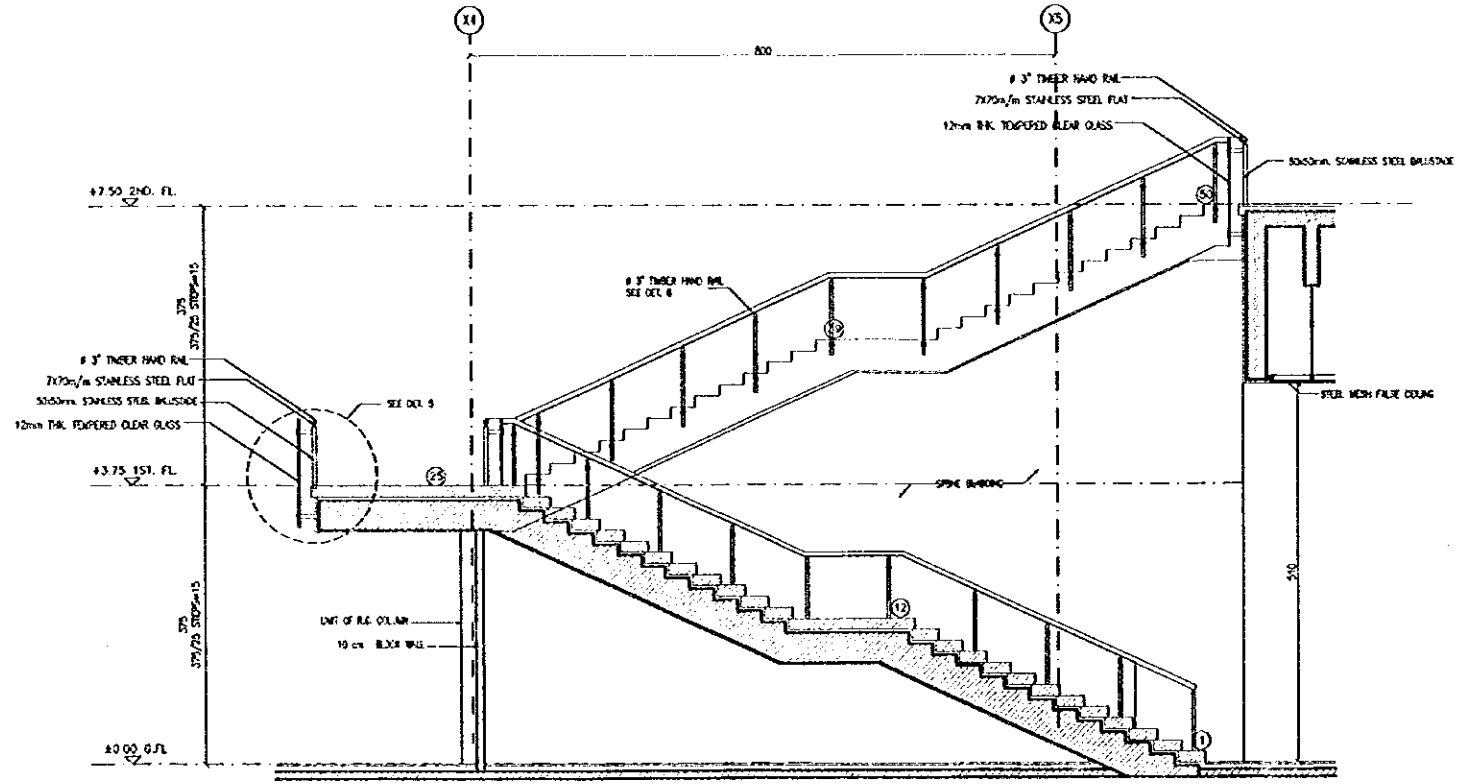
8 TREAD EDGE DETAIL
A-306 SCALE = 1:20



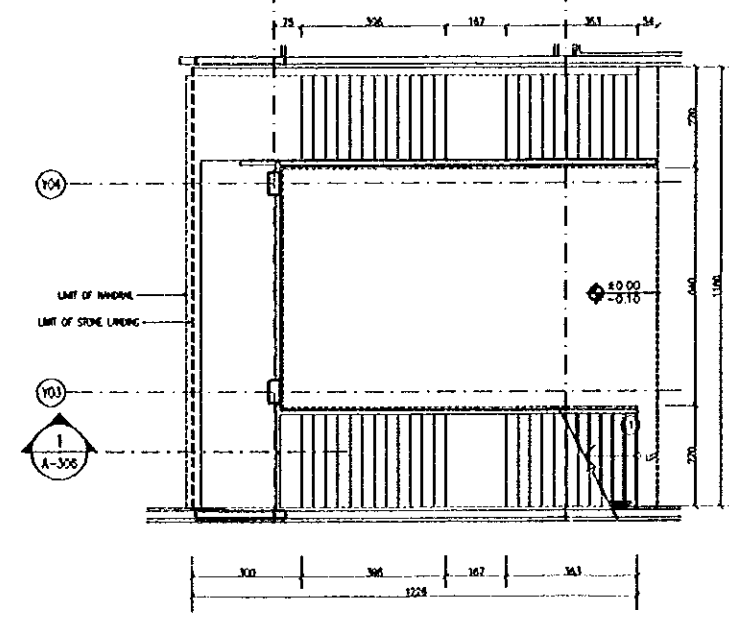
4 DETAIL AT STONE STEPS
A-306 SCALE = 1:20



5 2ND. FL.
A-306 SCALE = 1:100



1 SECTION
A-306 SCALE = 1:80



2 G. FL.
A-306 SCALE = 1:100

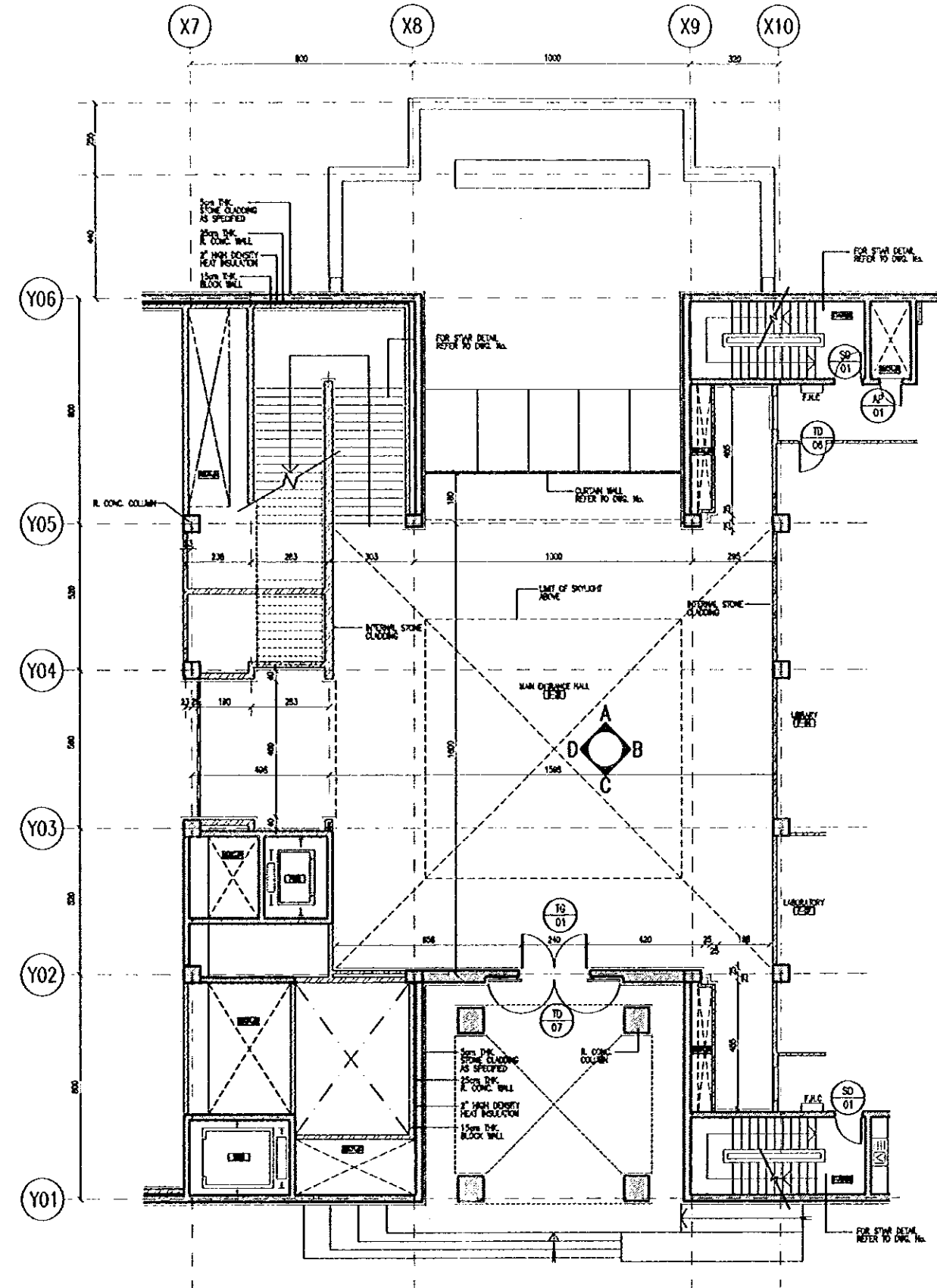
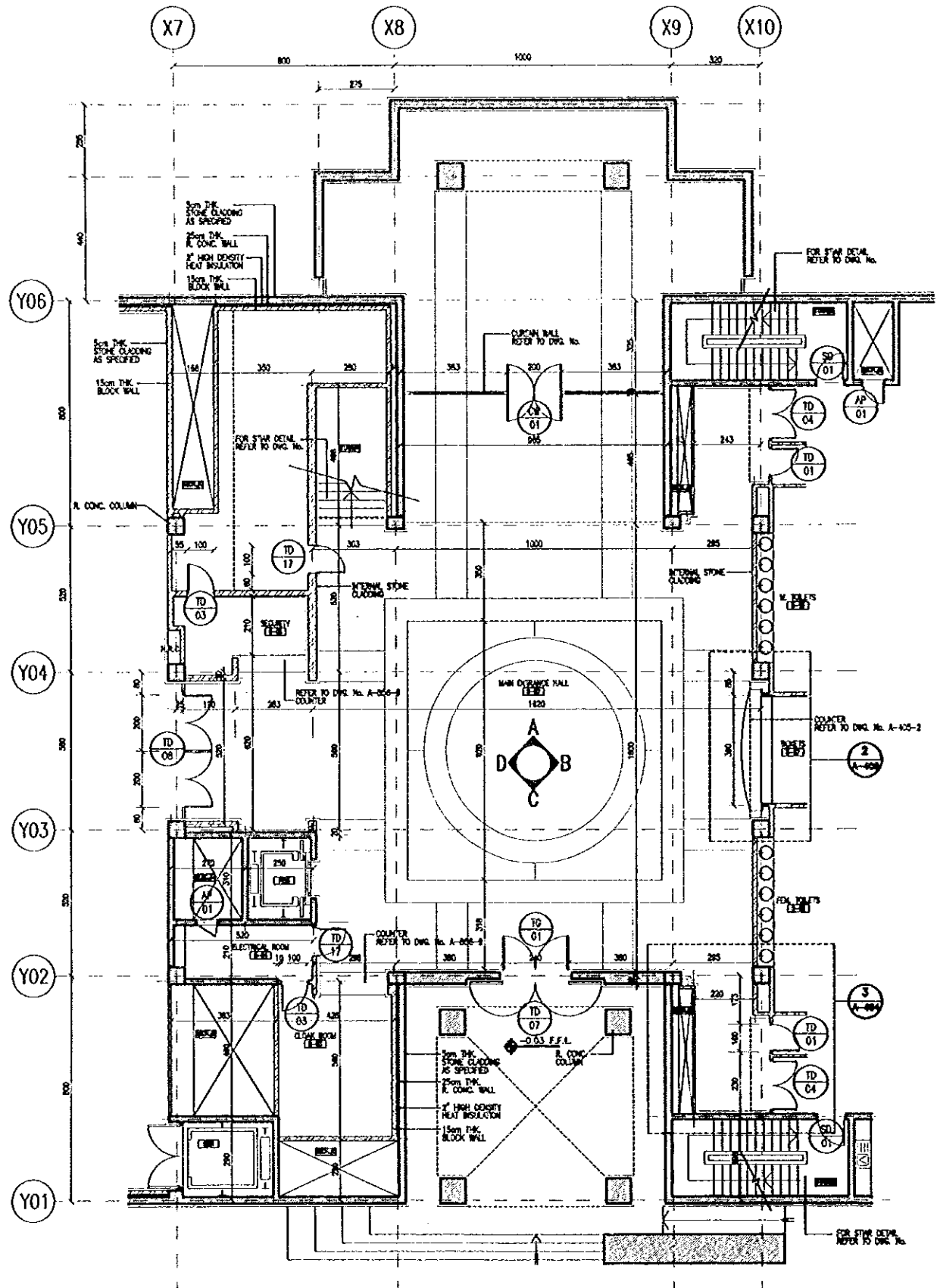
Designed by:
Japan International Cooperation Agency (JICA)
JICA Study Team:
Joint Venture of
Pacific Consultants International and
Yamashita Sekkei Inc.
Subcontracted Local Consultant:
Jafor Tukan and Partners
Architects and Engineers

Drawing Title:
STAIRCASE (6)

Scale:
1:80, 1:20
Drawing No.:
A-306

Note:
This detailed design has been executed by a team
of consultants as shown below in accordance with
the agreement between Japan International
Cooperation Agency (JICA) and JICA Study Team.

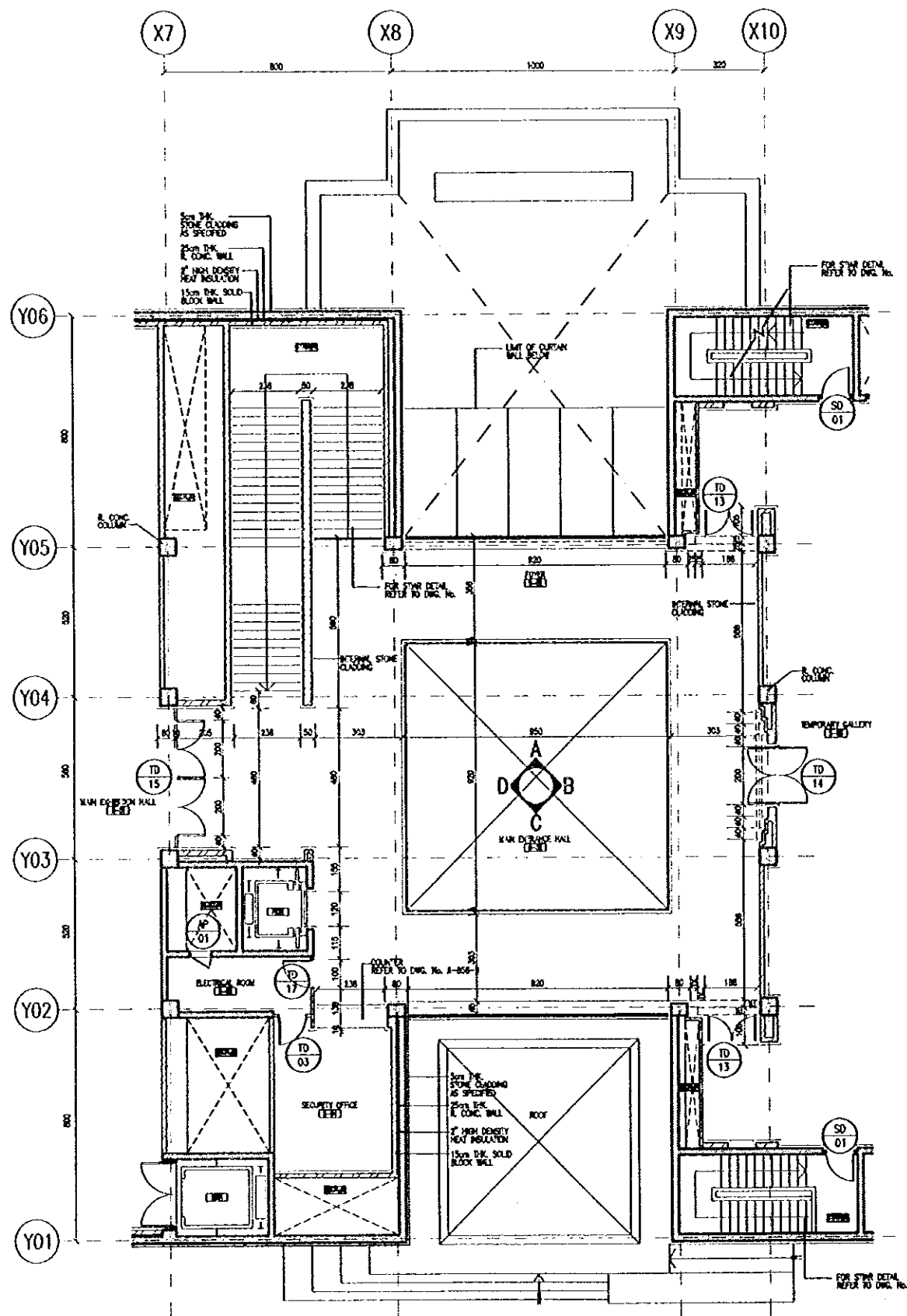
The copyright of this drawing rests with JICA.



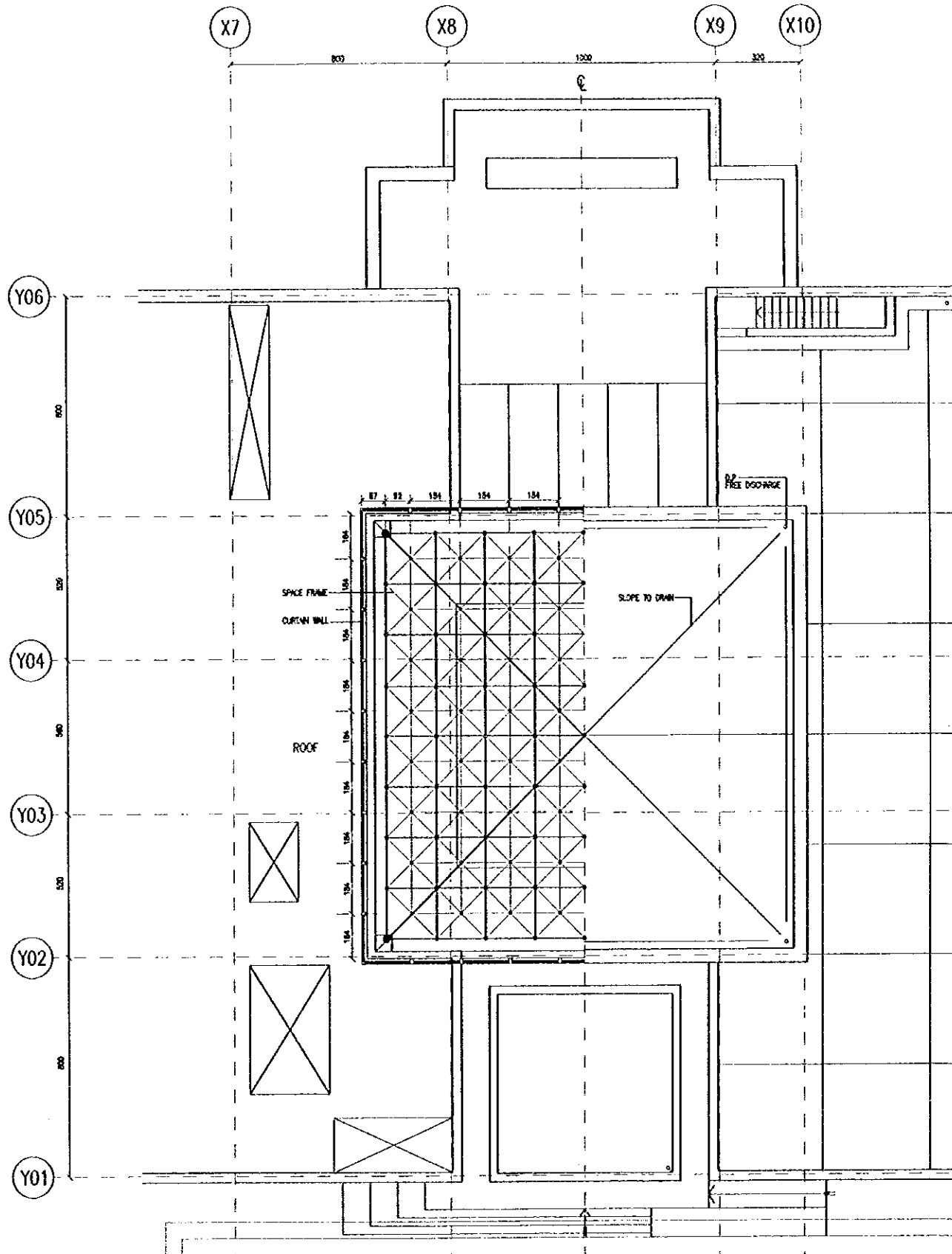
Designed by:
Japan International Cooperation
Agency (JICA)
JICA Study Team:
Joint Venture of
Pacific Consultants International and
Yamasita Sekkei Inc.
Subcontracted Local Consultant:
Jofar Tukon and Partners
Architects and Engineers

Drawing Title:
MAIN ENTRANCE HALL (1)

Scale: 1:100
Drawing No.: A-401



1 SECOND FLOOR LEVEL
A-402 SCALE = 1:100



2 ROOF & TOP ROOF LEVEL
A-402 SCALE = 1:100

ROOF LEVEL ← → TOP OF ROOF LEVEL

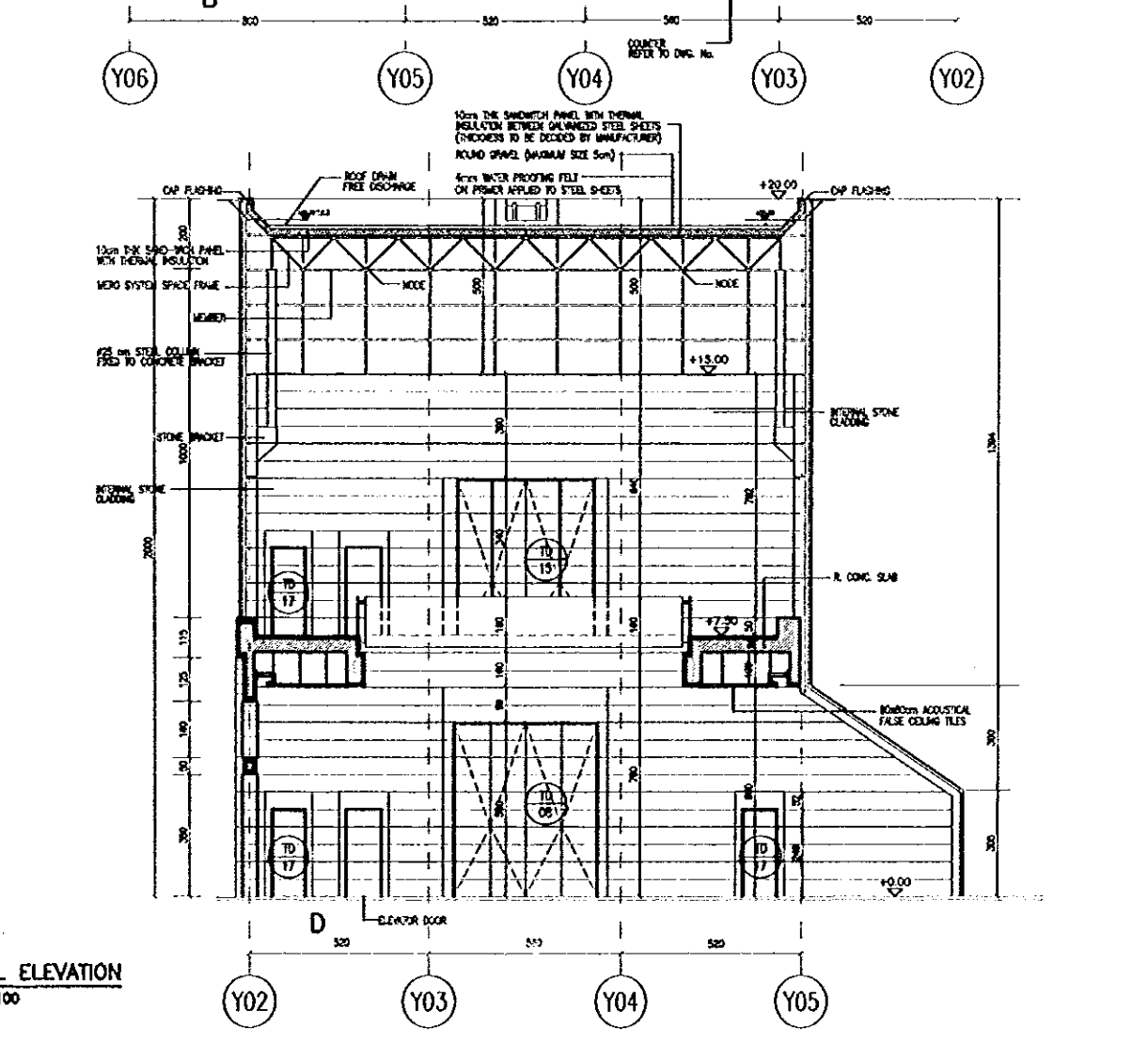
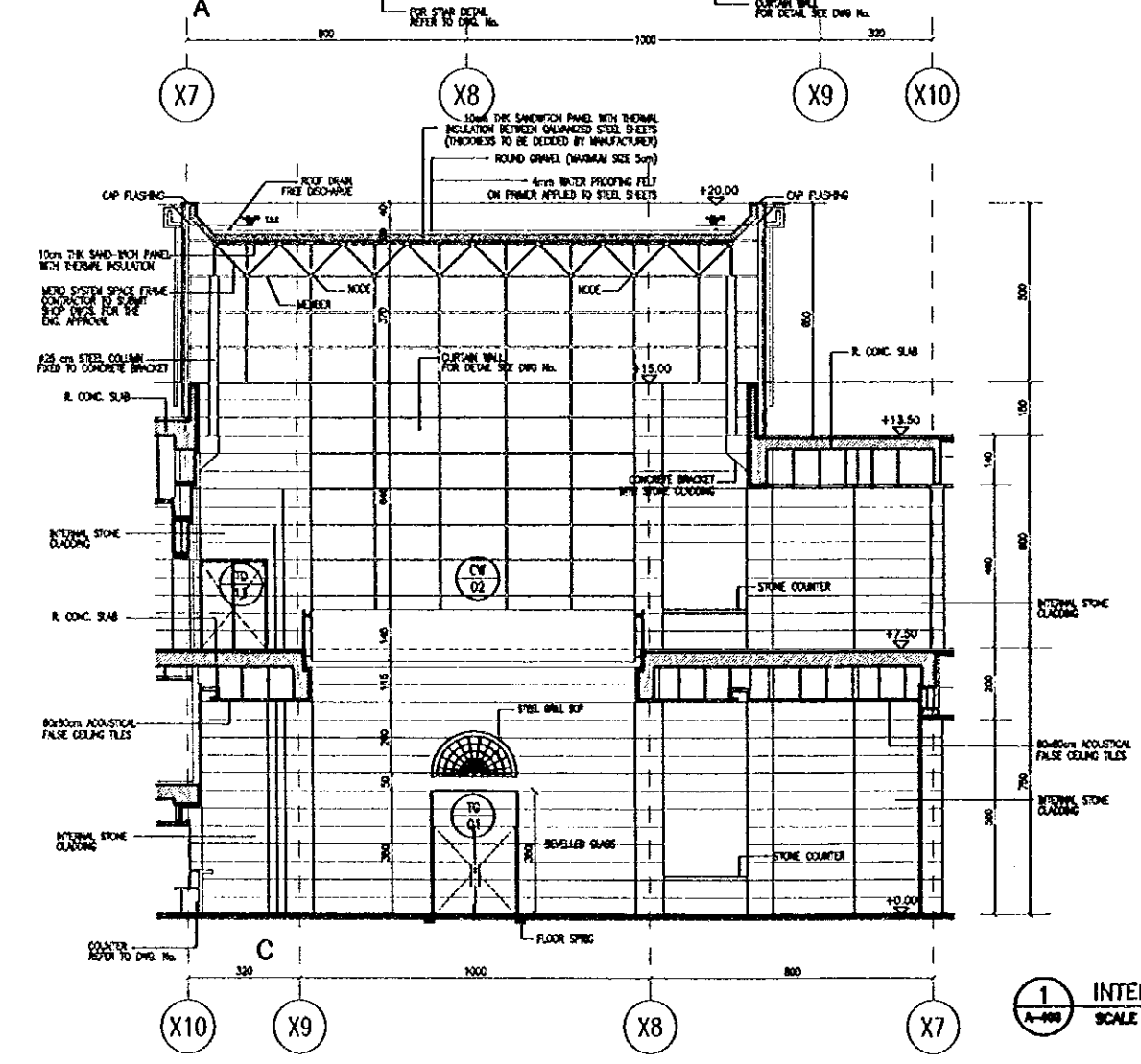
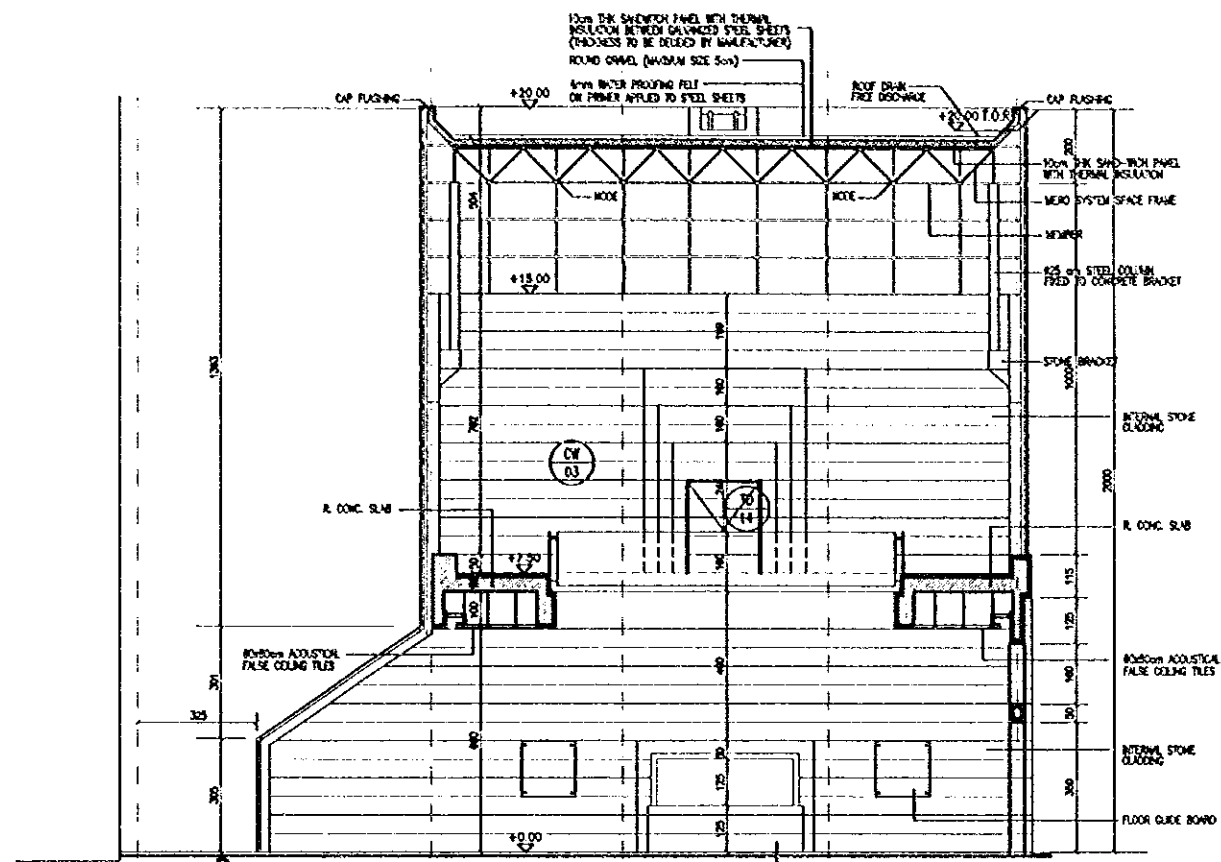
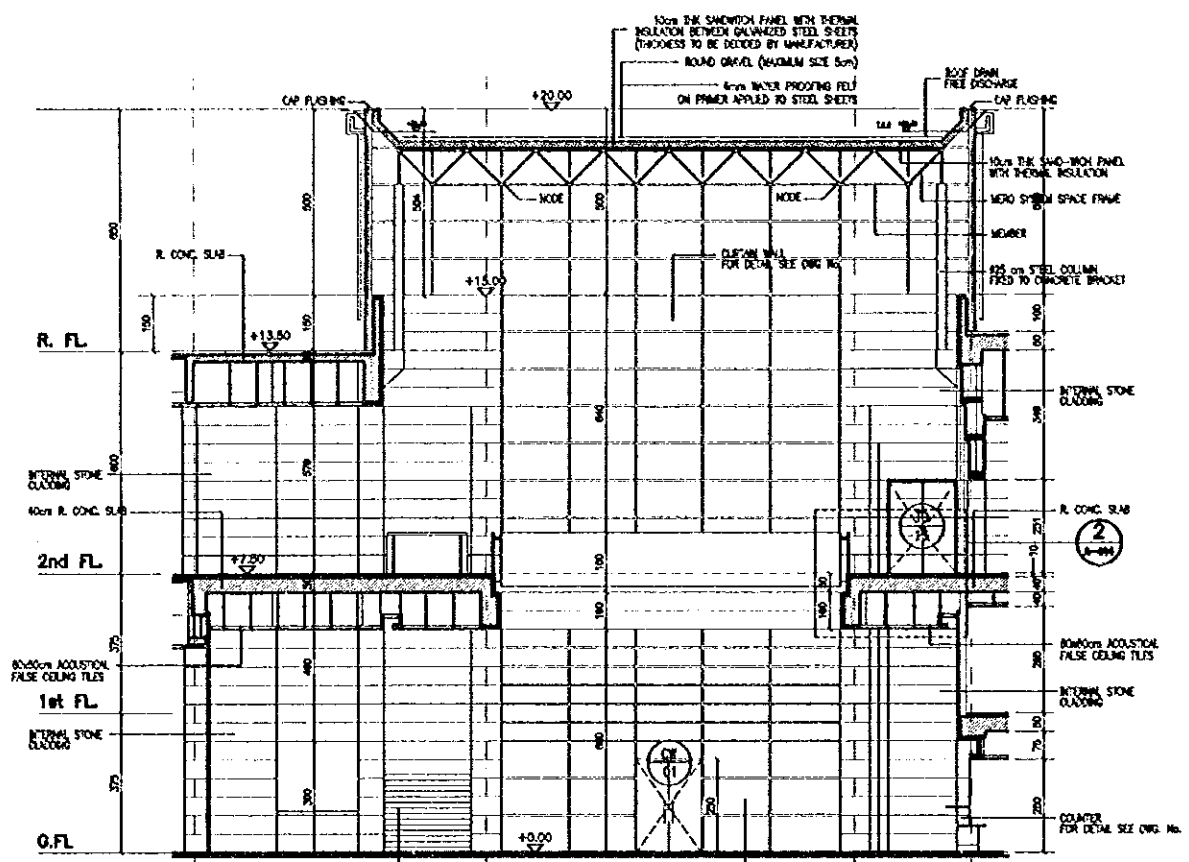
Designed by:
Japan International Cooperation
Agency (JICA)
JICA Study Team:
Joint Venture of
Pacific Consultants International and
Yamasita Sekkei Inc.
Subcontracted Local Consultant:
Jofar Tukon and Partners
Architects and Engineers

Drawing Title:
MAIN ENTRANCE HALL (2)

Scale: 1:100 Drawing No.: A-402

Note:
This detailed design has been executed by a team
of consultants as shown below in accordance with
the agreement between Japan International
Cooperation Agency (JICA) and JICA Study Team.

The copyright of this drawing rests with JICA.

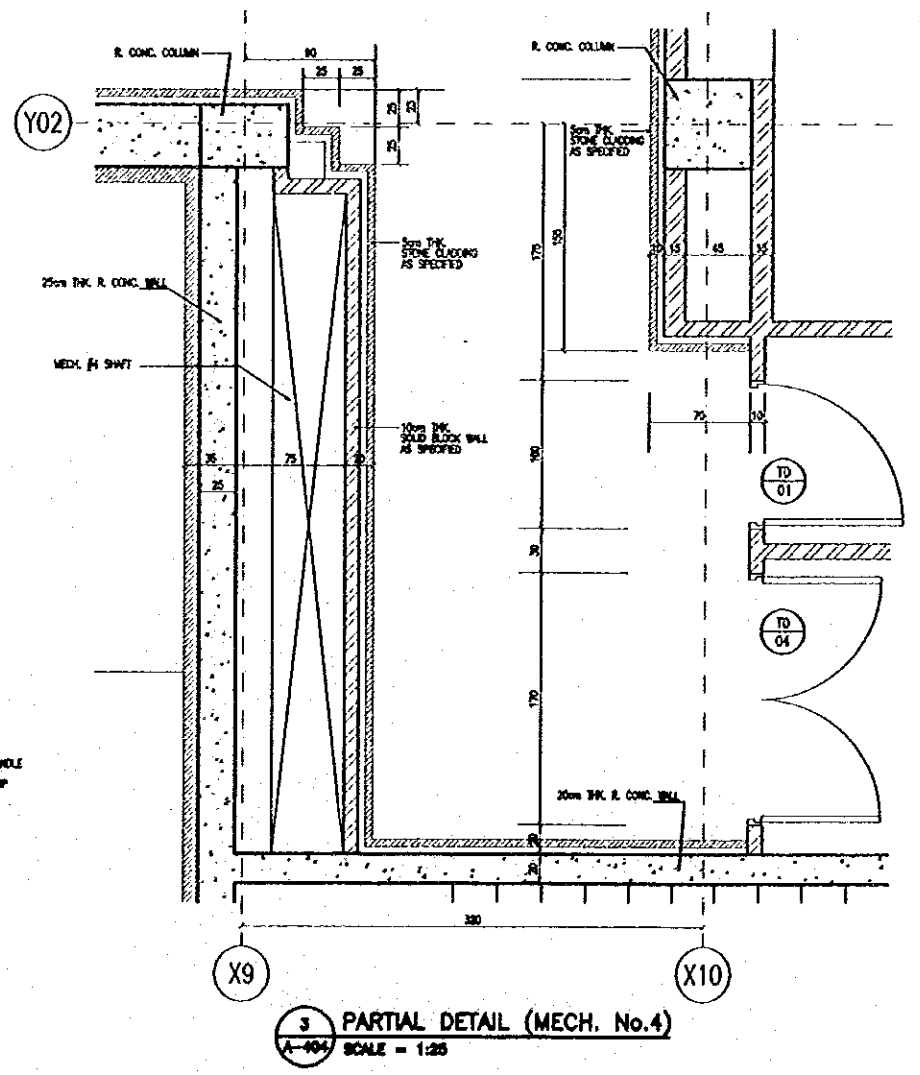
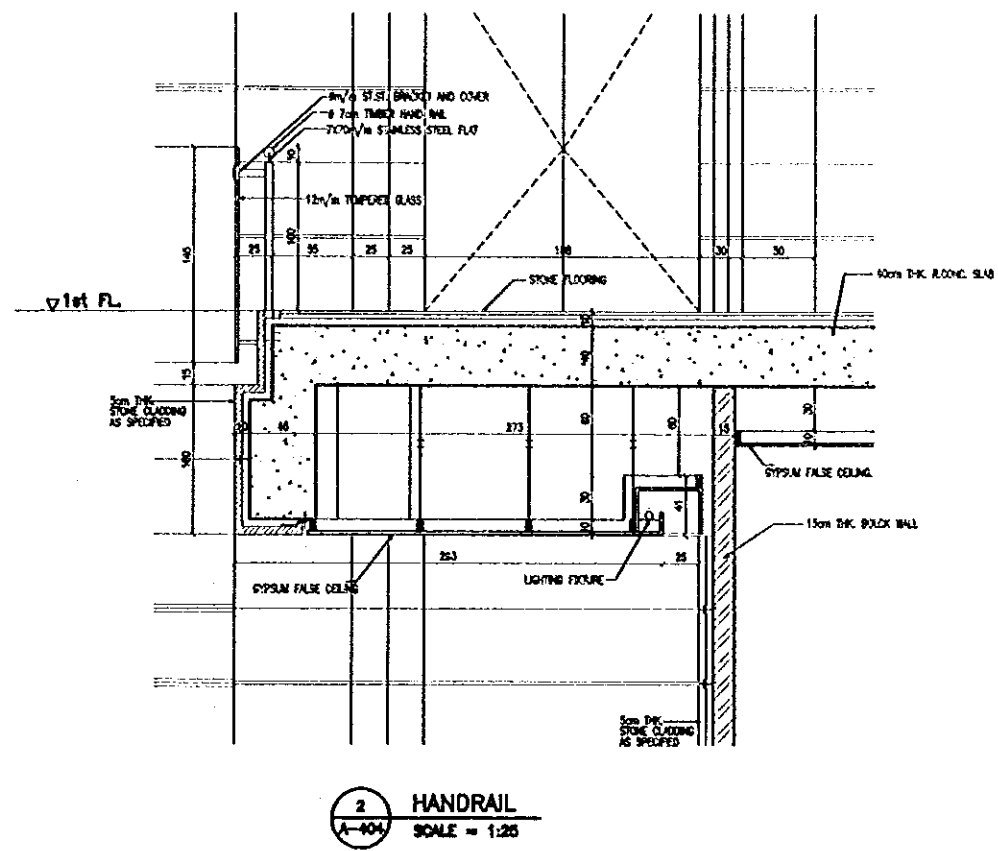
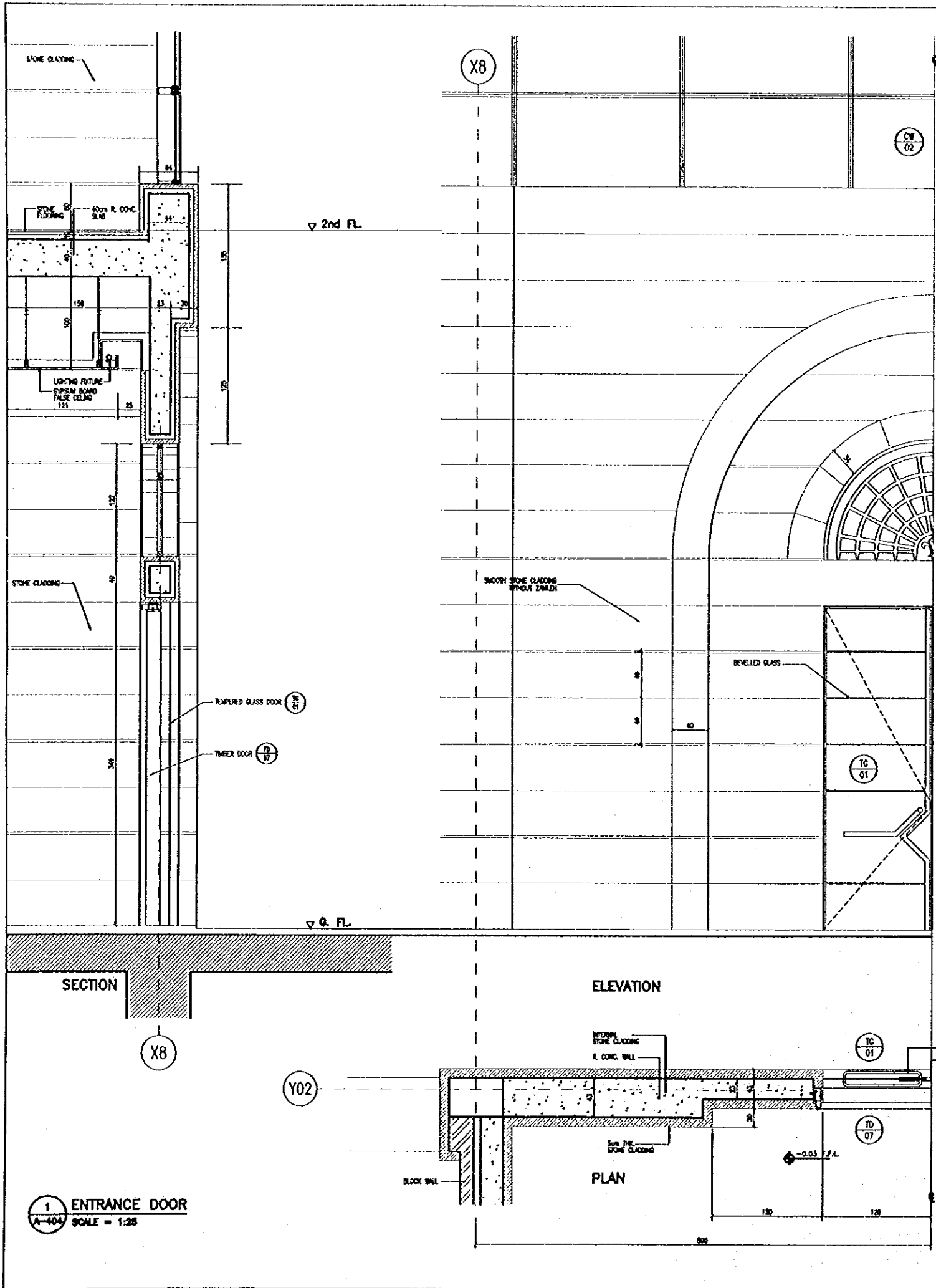


1 INTERNAL ELEVATION
A-400 SCALE = 1:100

Designed by:
Japan International Cooperation
Agency (JICA)
JICA Study Team:
Joint Venture of
Pacific Consultants International and
Yamasa Sekkei Inc.
Subcontracted Local Consultant:
Jofar Tukan and Partners
Architects and Engineers

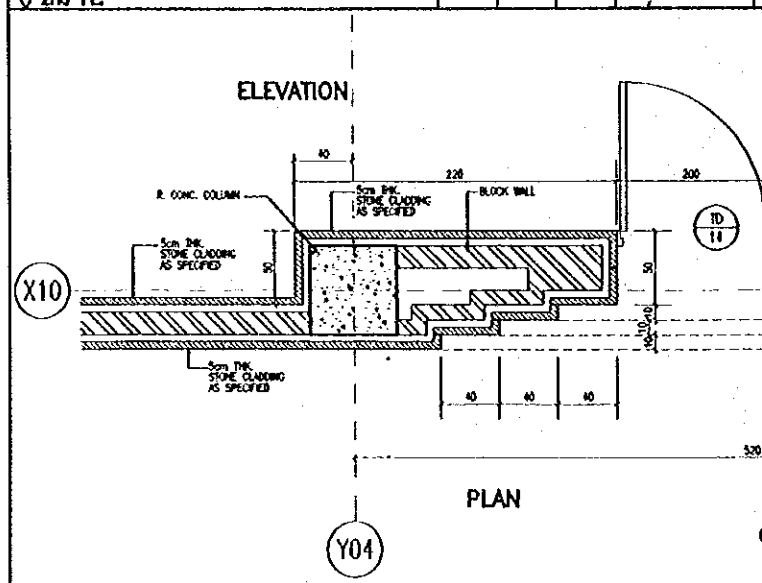
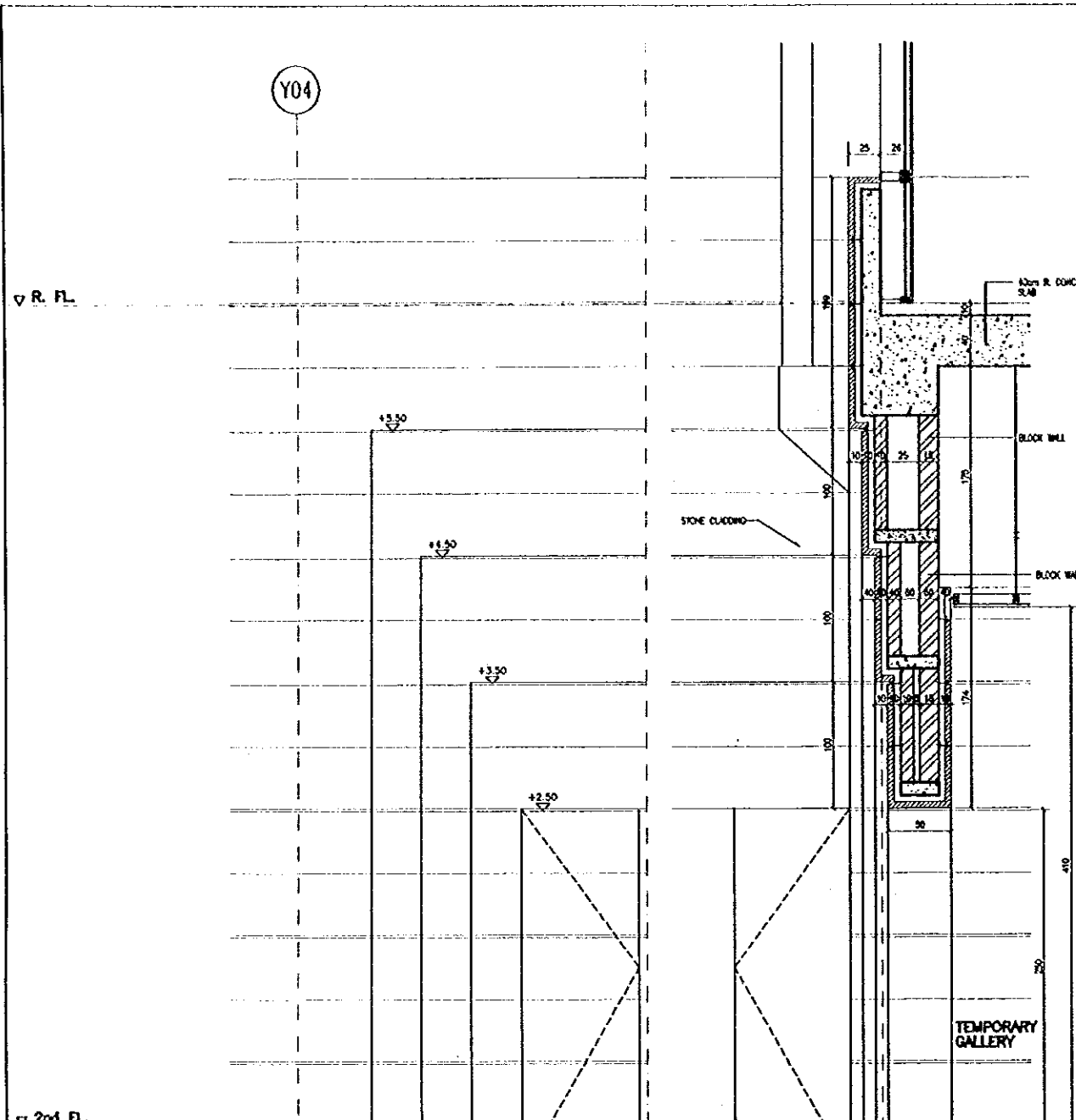
Drawing Title:
MAIN ENTRANCE HALL (3)

Scale: 1:100 Drawing No.: A-403

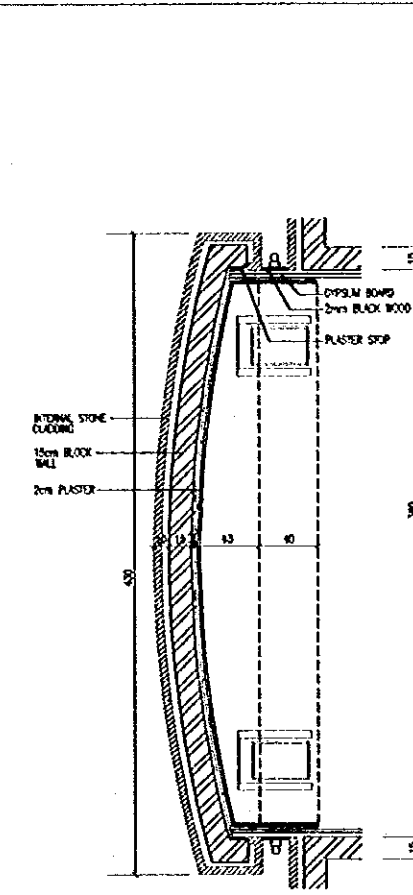


Note:
This detailed design has been executed by a team
of consultants as shown below in accordance with
the agreement between Japan International
Cooperation Agency (JICA) and JICA Study Team.

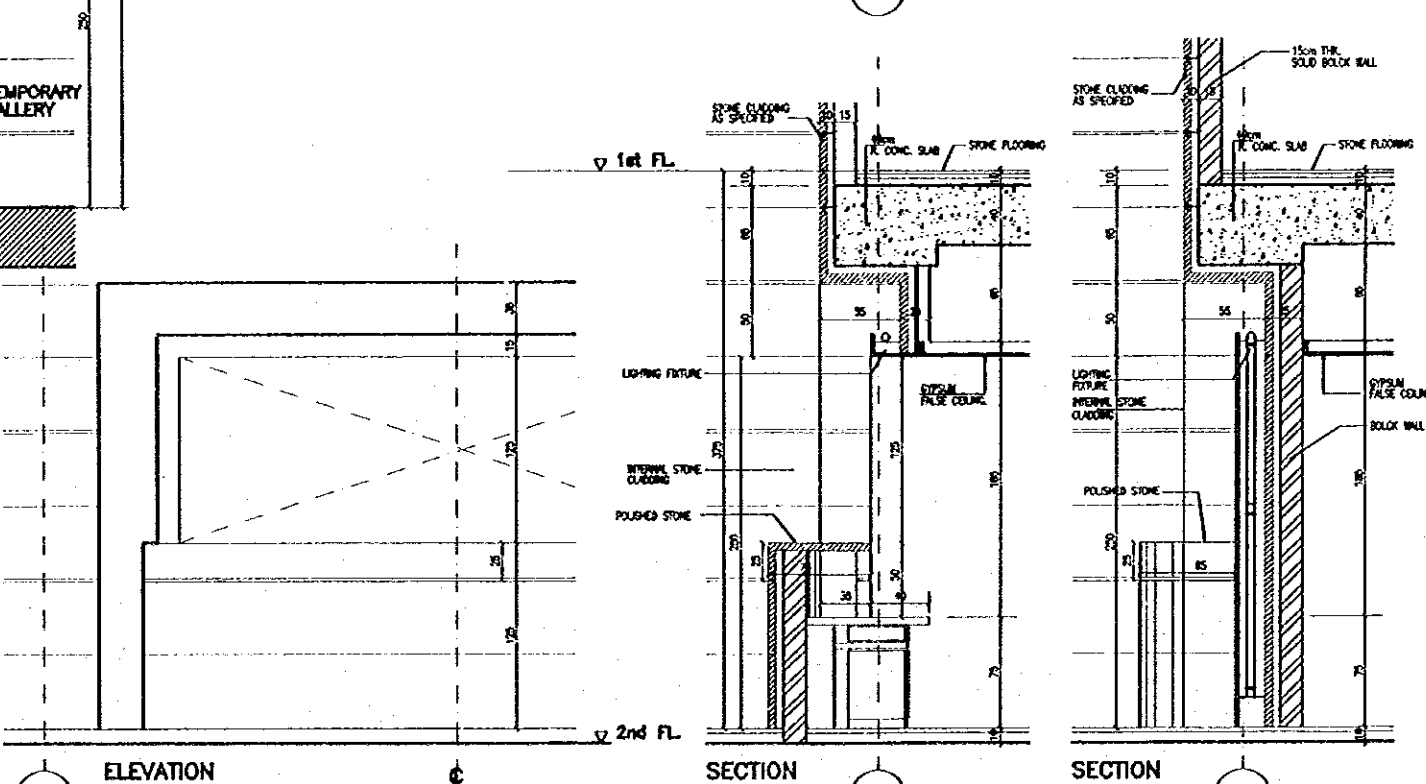
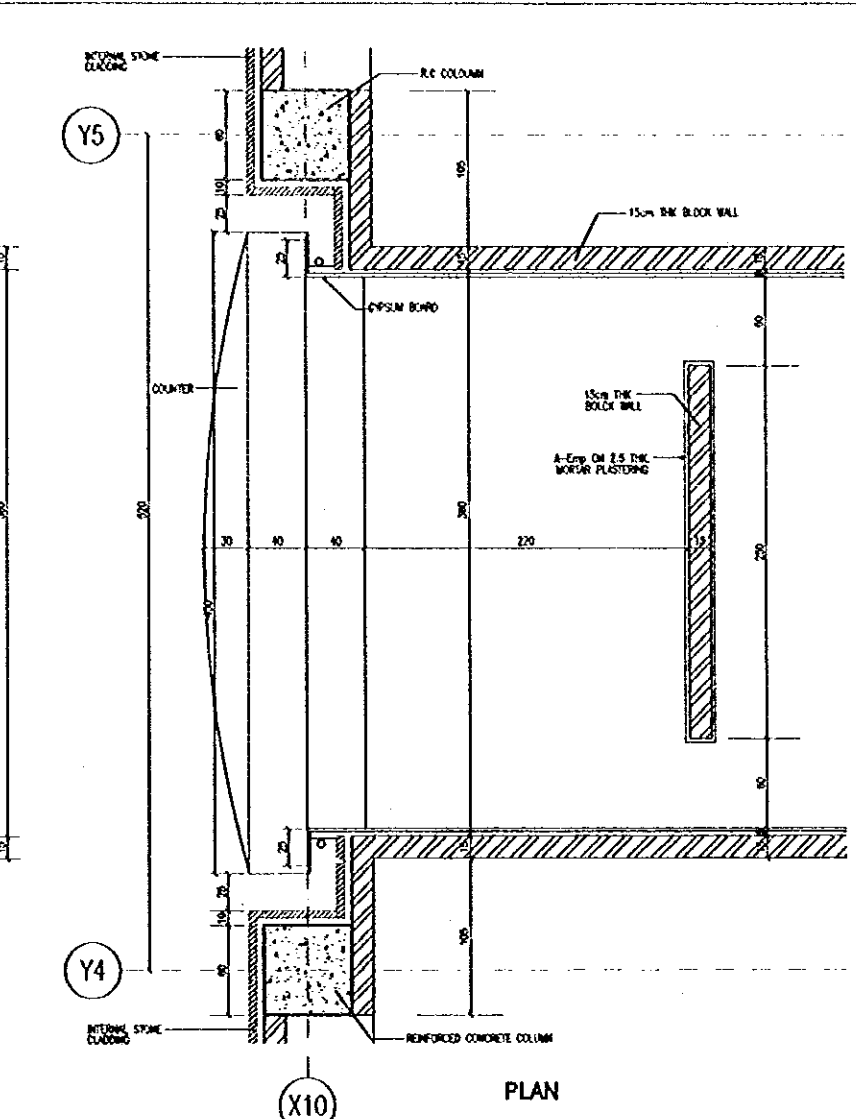
the copyright of this drawing rests with JICA.



1 TEMPORARY GALLERY
SCALE = 1:25



COUNTER PLAN



2 TICKET COUNTER
SCALE = 1:25

Designed by:
Japan International Cooperation
Agency (JICA)
JICA Study Team:
Joint Venture of
Pacific Consultants International and
Yamashita Sekkel Inc.
Subcontracted Local Consultant:
Jafar Tukan and Partners
Architects and Engineers

Drawing Title:
MAIN ENTRANCE HALL (5)

Scale: 1:25 Drawing No: A-405

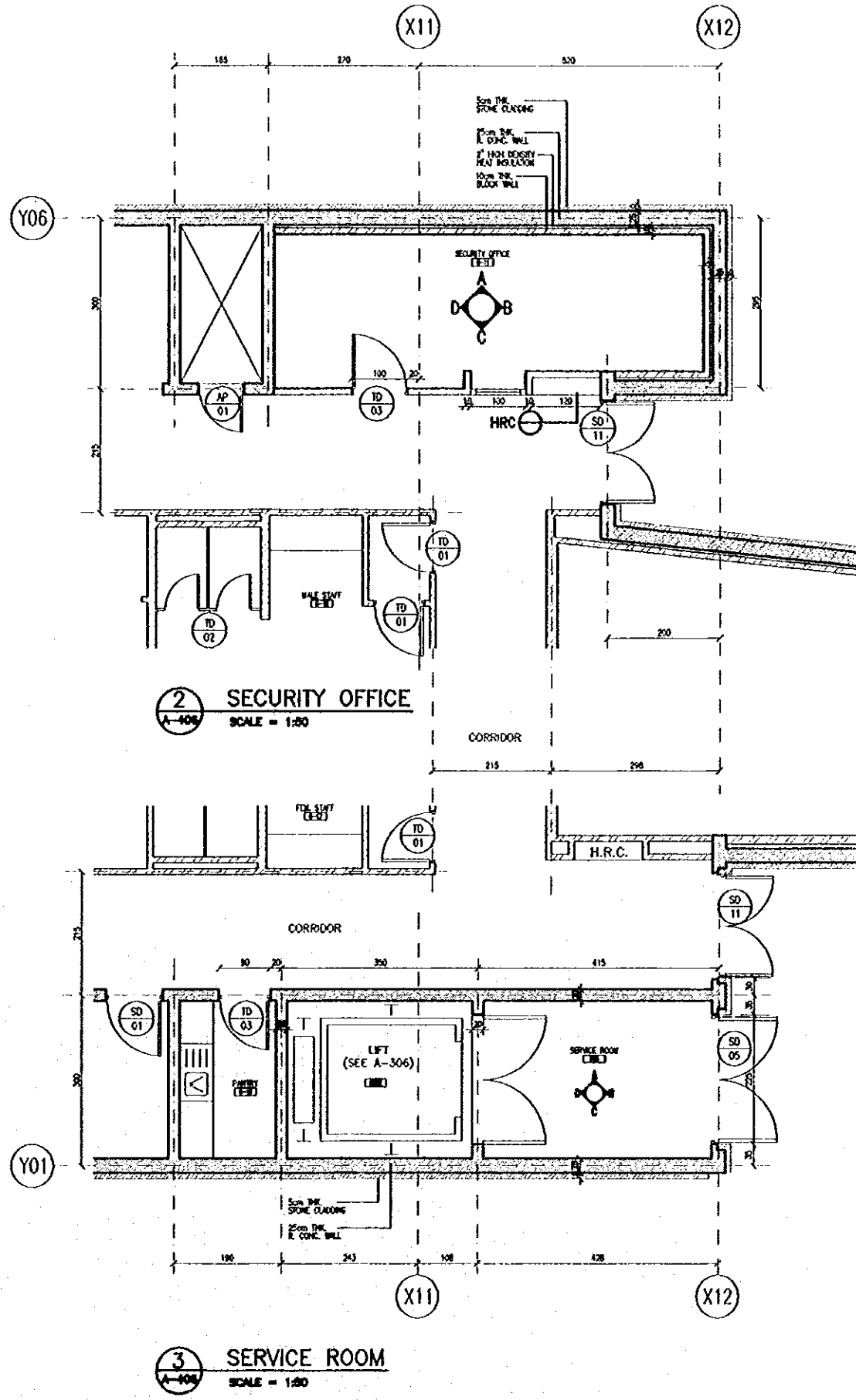
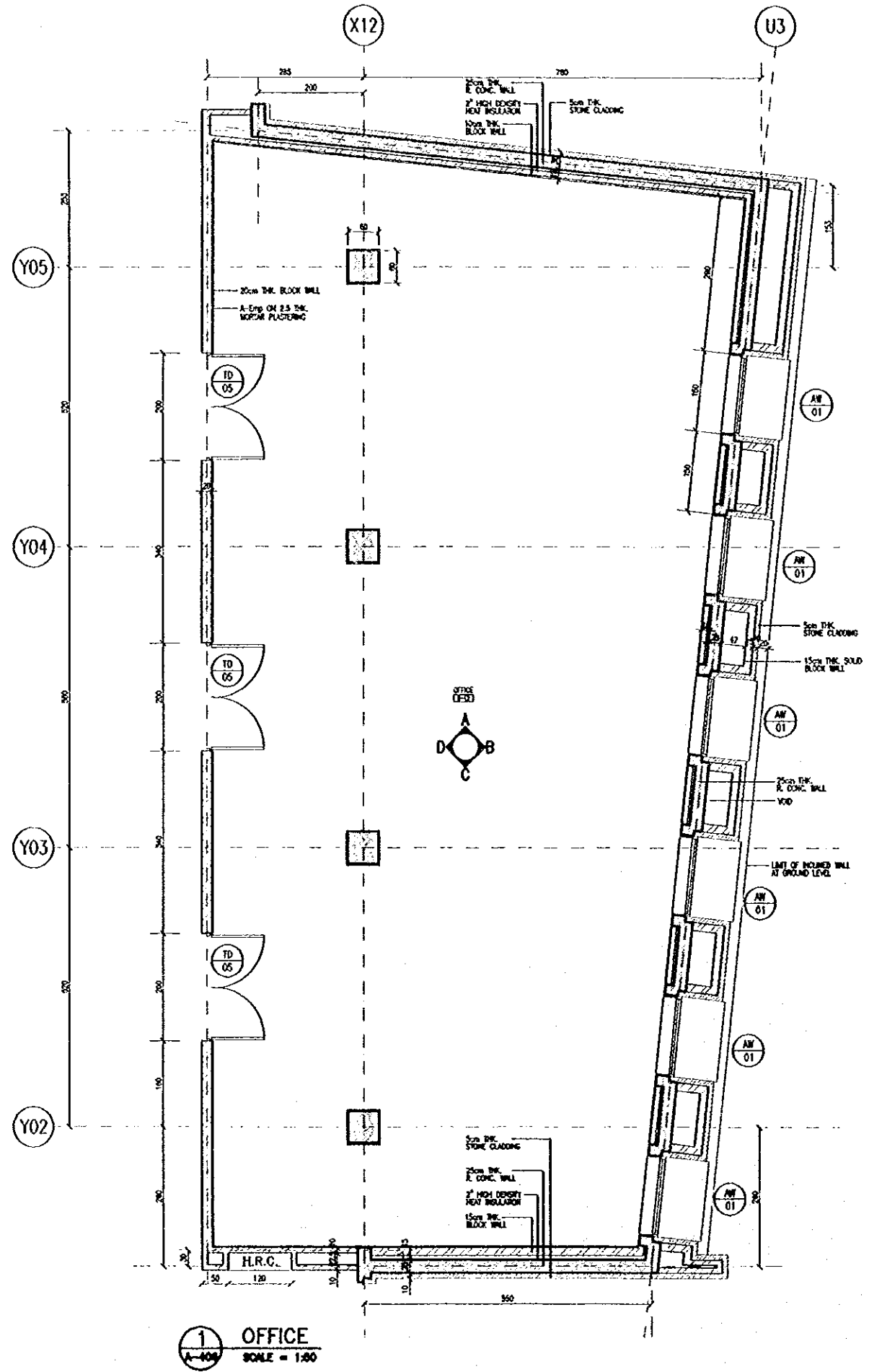
Note:
This detailed design has been executed by a team
of consultants as shown below in accordance with
the agreement between Japan International
Cooperation Agency (JICA) and JICA Study Team.

The copyright of this drawing rests with JICA.

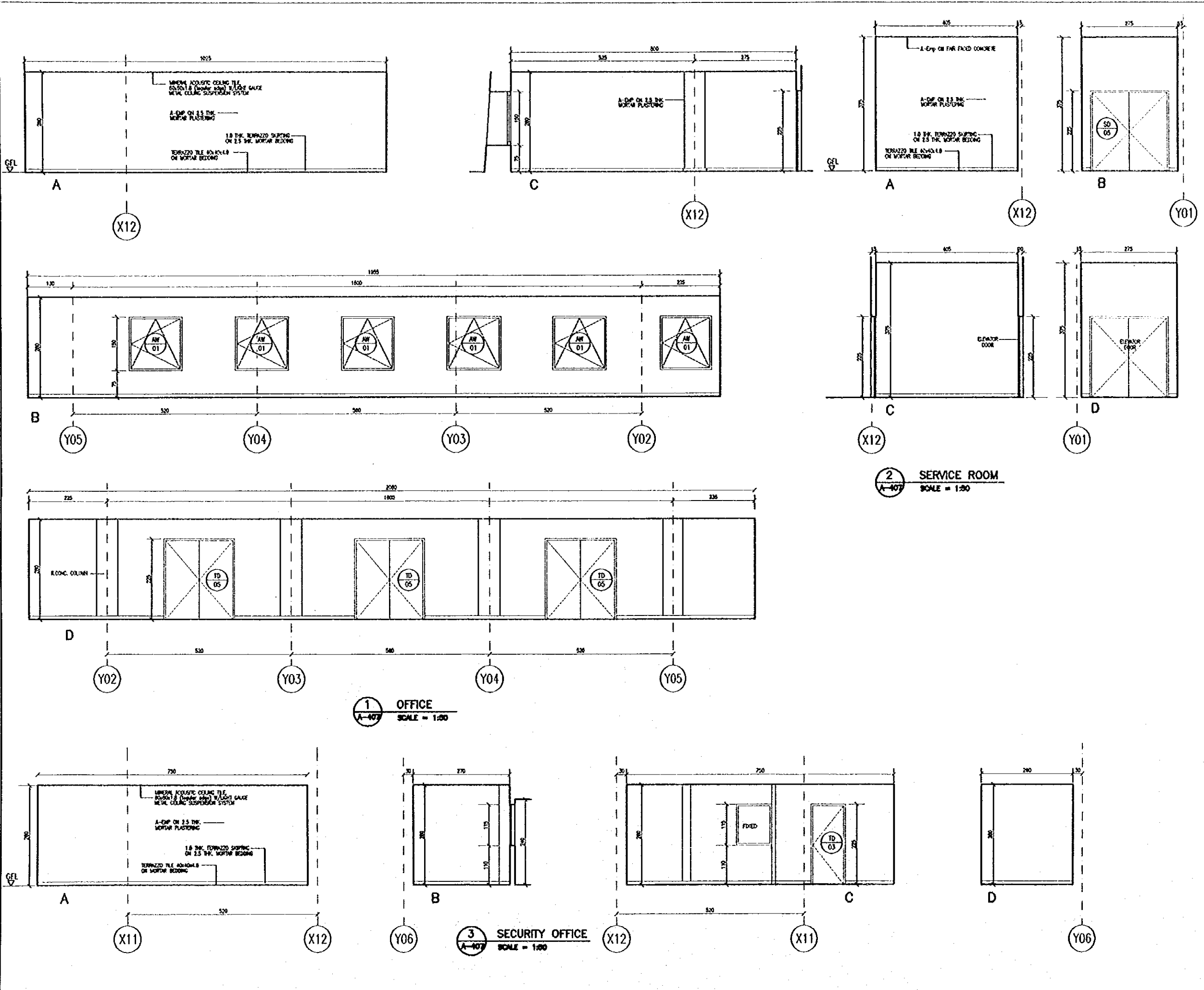
Designed by:
Japan International Cooperation
Agency (JICA)
JICA Study Team:
Joint Venture of
Pacific Consultants International and
Yamamoto Sekkei Inc.
Subcontracted Local Consultant:
Jafar Tukon and Partners
Architects and Engineers

Drawing Title:
OFFICE, SECURITY OFFICE (1)

Scale: 1:100 Drawing No.: A-406



Note:
This detailed design has been executed by a team
of consultants as shown below in accordance with
the agreement between Japan International
Cooperation Agency (JICA) and JICA Study Team.
The copyright of this drawing rests with JICA.



Designed by:
Japan International Cooperation
Agency (JICA)

JICA Study Team:
Joint Venture of
Pacific Consultants International and
Yamamoto Sekkei Inc.

Subcontracted Local Consultant:
Jafor Tukan and Partners
Architects and Engineers

Drawing Title:
OFFICE, SECURITY OFFICE (2)

Scale: 1:50
Drawing No: A-407

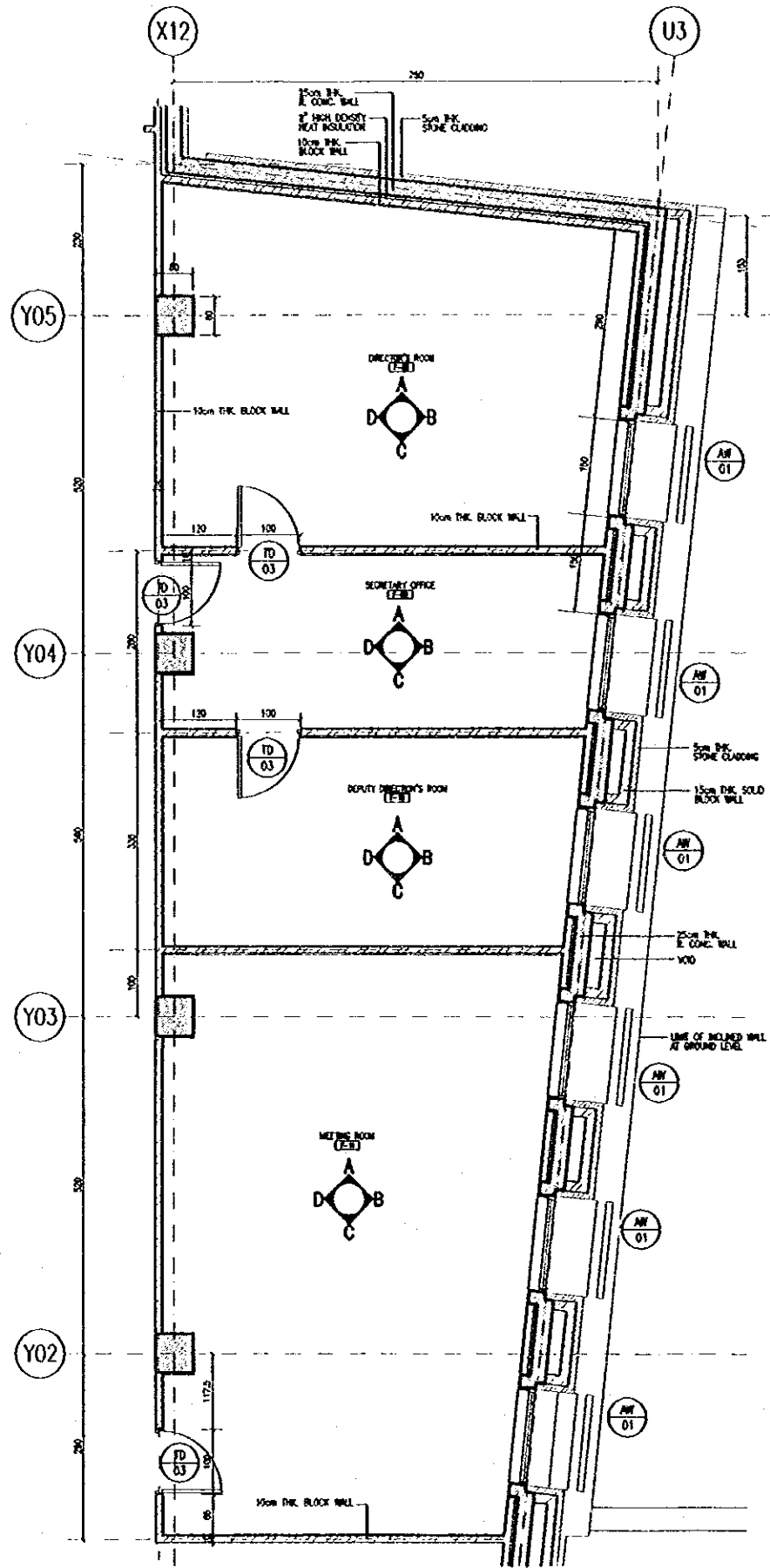
Sub-Project:

NATIONAL MUSEUM

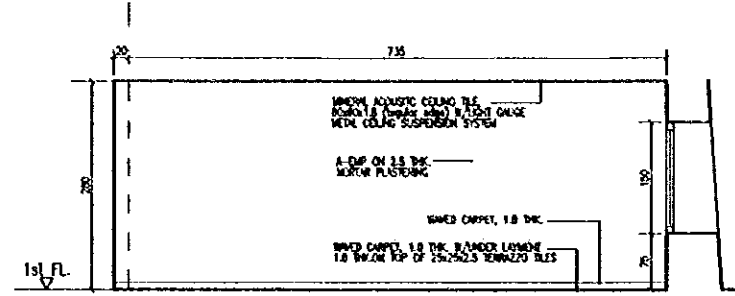
Note:

This detailed design has been executed by a team of consultants as shown below in accordance with the agreement between Japan International Cooperation Agency (JICA) and JICA Study Team.

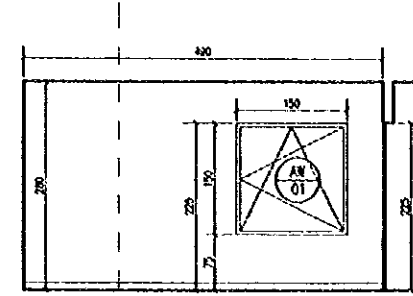
The copyright of this drawing rests with JICA.



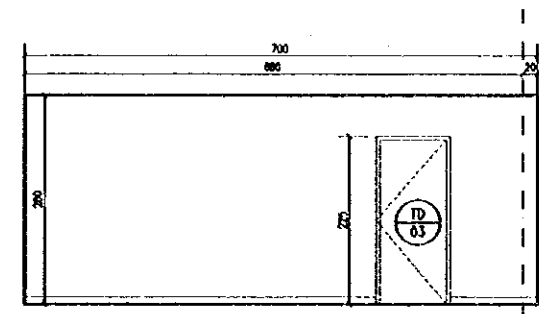
1 **DETAIL PLAN**
A-408 SCALE = 1:50



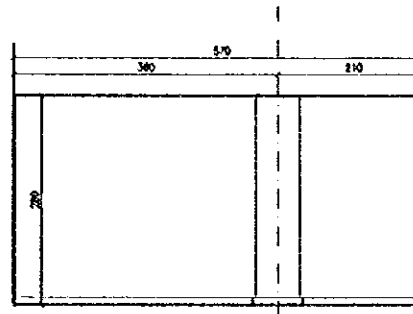
A
X12



B
Y05

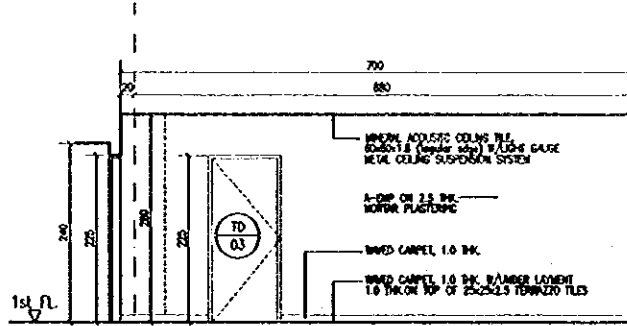


C
X12

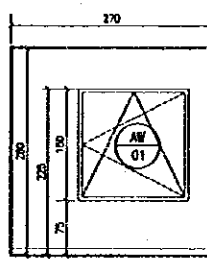


D
Y05

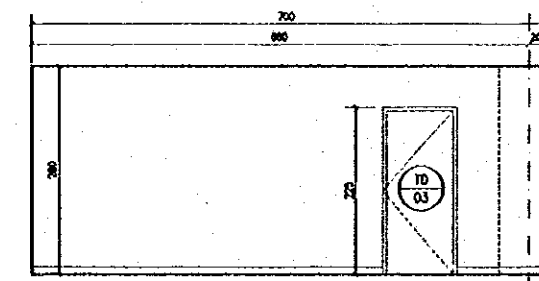
2 **DIRECTOR'S OFFICE**
A-408 SCALE = 1:50



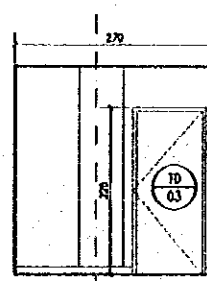
A
X12



B
Y04



C
X12



D
Y04

3 **SECRETARY OFFICE**
A-408 SCALE = 1:50

Designed by:

Japan International Cooperation Agency (JICA)

JICA Study Team:

Joint Venture of Pacific Consultants International and Yamasita Sekkel Inc.

Subcontracted Local Consultant:

Jafor Tukan and Partners Architects and Engineers

Drawing Title:

**DIRECTOR'S OFFICE,
MEETING ROOM (1)**

Scale:

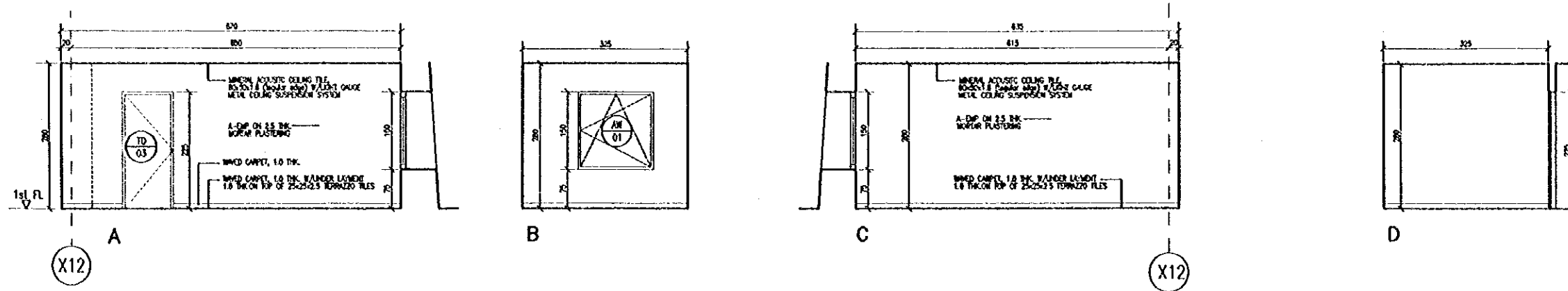
1:50

Drawing No.:

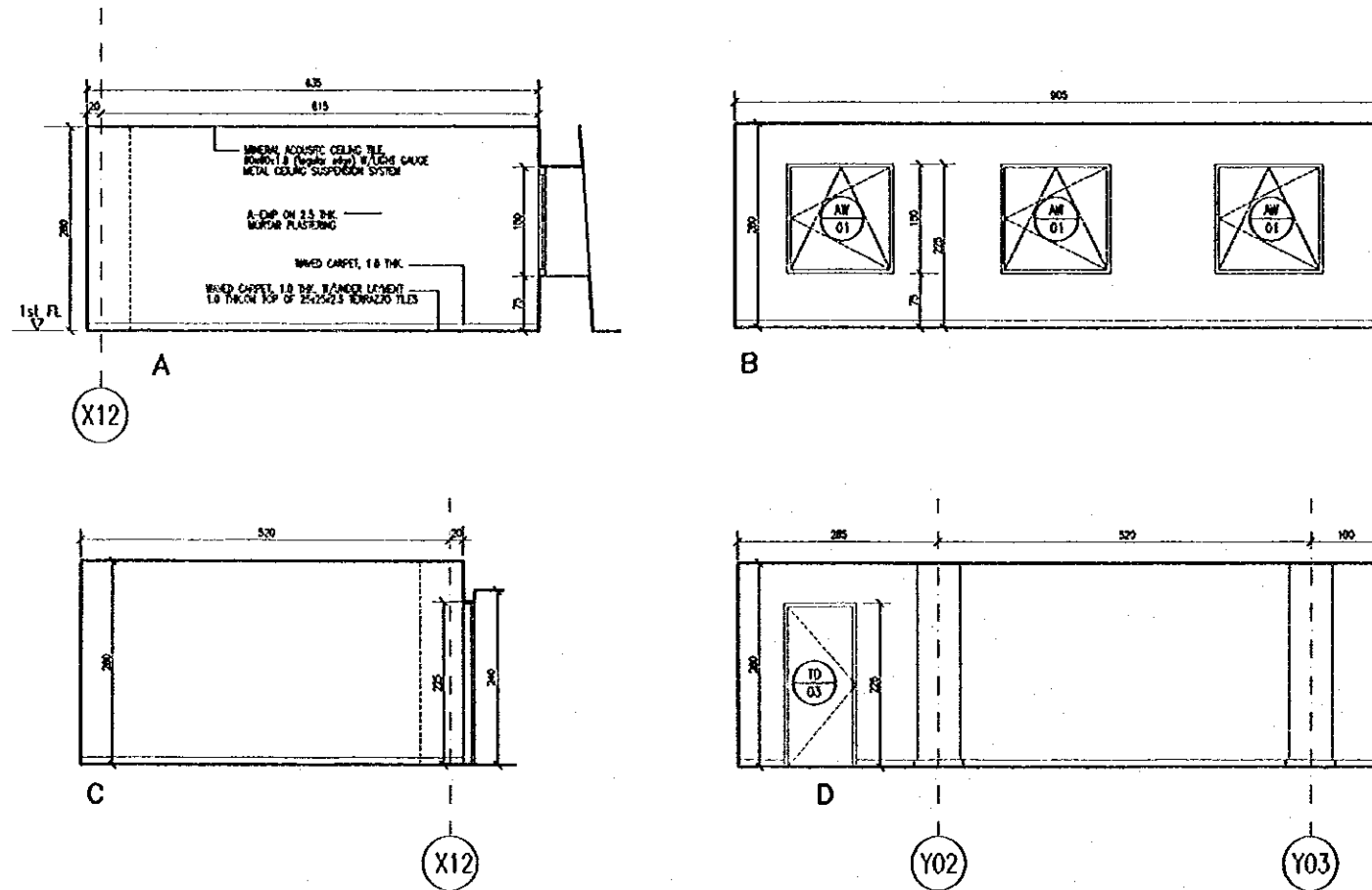
A-408

Note:
This detailed design has been executed by a team
of consultants as shown below in accordance with
the agreement between Japan International
Cooperation Agency (JICA) and JICA Study Team.

The copyright of this drawing rests with JICA.



1 DEPUTY DIRECTOR'S OFFICE
A-408
SCALE = 1:50



2 MEETING ROOM
A-409
SCALE = 1:50

Designed by:
Japan International Cooperation
Agency (JICA)

JICA Study Team:
Joint Venture of
Pacific Consultants International and
Yamasita Sekkel Inc.

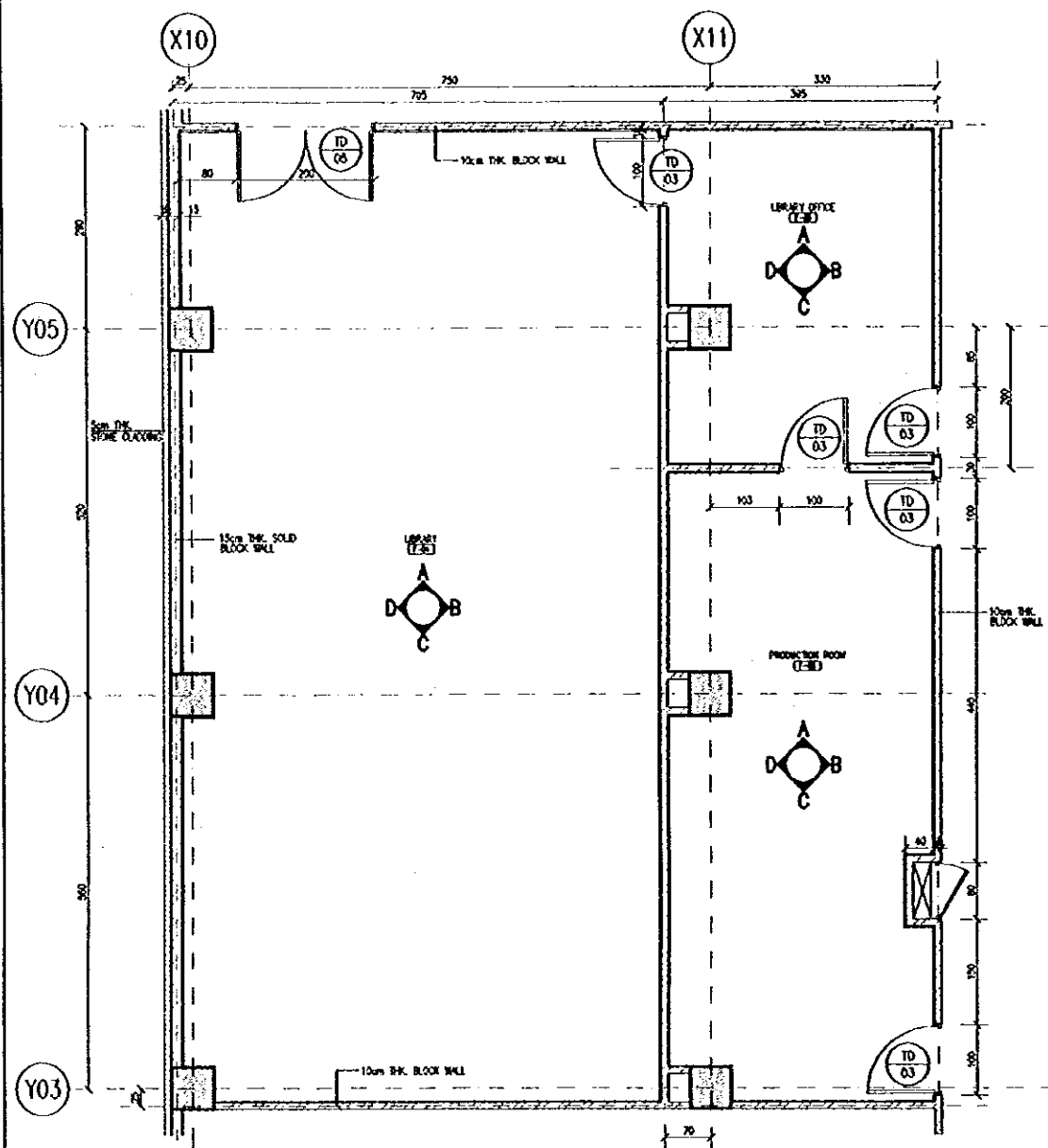
Subcontracted Local Consultant:
Jafar Tukan and Partners
Architects and Engineers

Drawing Title:
**DIRECTOR'S OFFICE,
MEETING ROOM (2)**

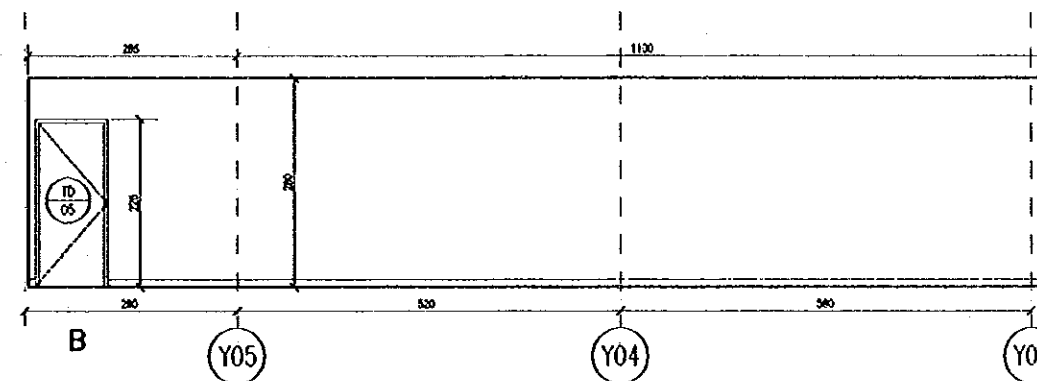
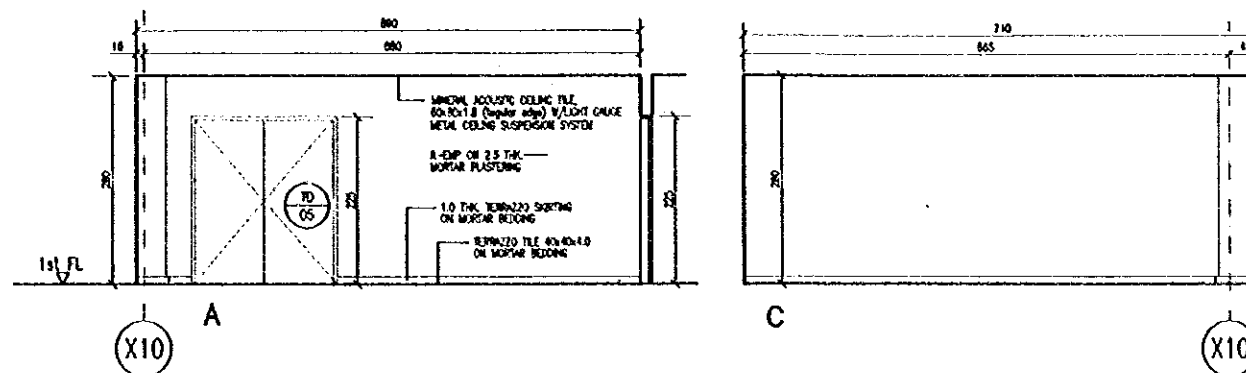
Scale: 1:50
Drawing No: A-409

Note:
This detailed design has been executed by a team
of consultants as shown below in accordance with
the agreement between Japan International
Cooperation Agency (JICA) and JICA Study Team.

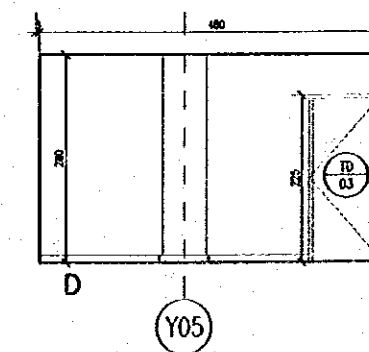
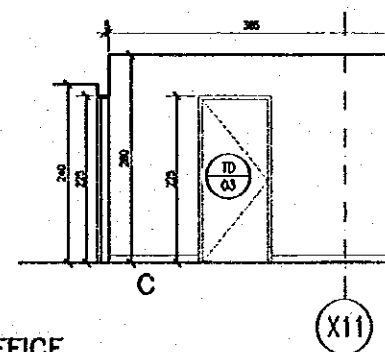
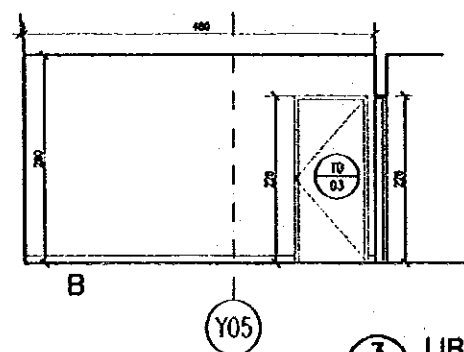
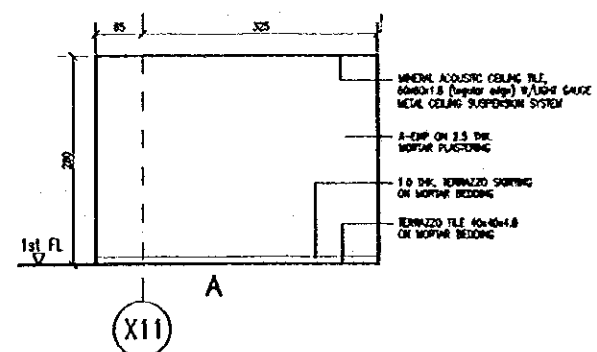
The copyright of this drawing rests with JICA.



1 DETAIL PLAN
A-410 SCALE = 1:50



2 LIBRARY
A-410 SCALE = 1:50



3 LIBRARY OFFICE
A-410 SCALE = 1:50

Designed by:
Japan International Cooperation
Agency (JICA)
JICA Study Team:
Joint Venture of
Pacific Consultants International and
Yamashita Sekkel Inc.
Subcontracted Local Consultant:
Jafar Tukon and Partners
Architects and Engineers

Drawing Title:
LIBRARY, PRODUCTION ROOM

Scale: 1:50 Drawing No.: A-410

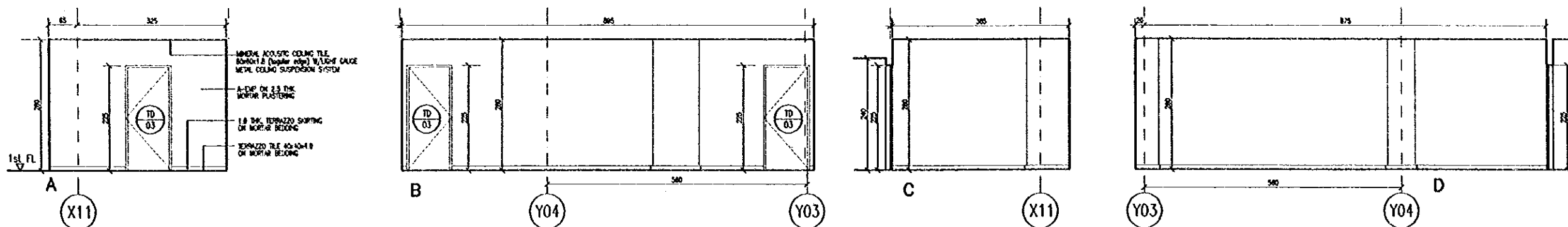
Sub-Project:

NATIONAL MUSEUM

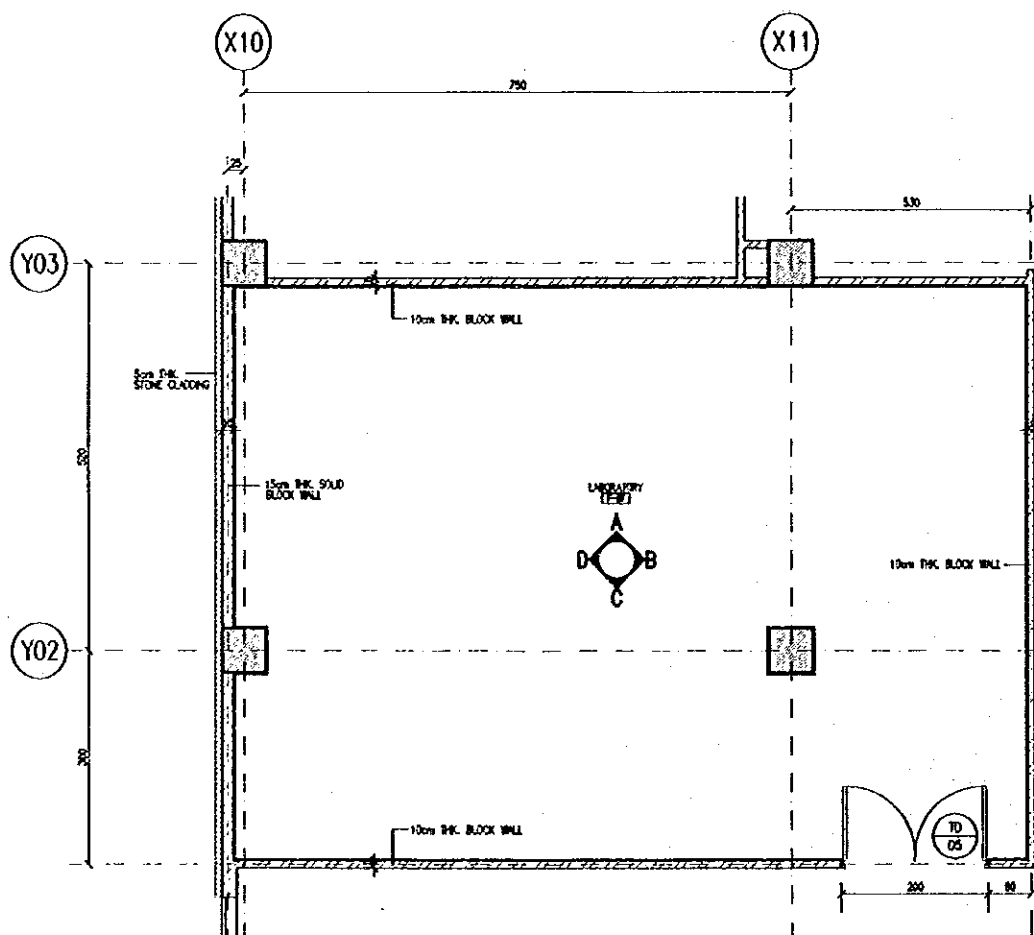
Note:

This detailed design has been executed by a team of consultants as shown below in accordance with the agreement between Japan International Cooperation Agency (JICA) and JICA Study Team.

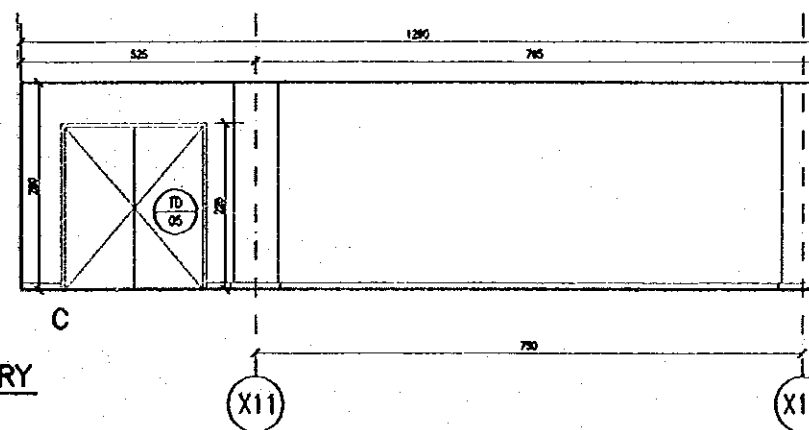
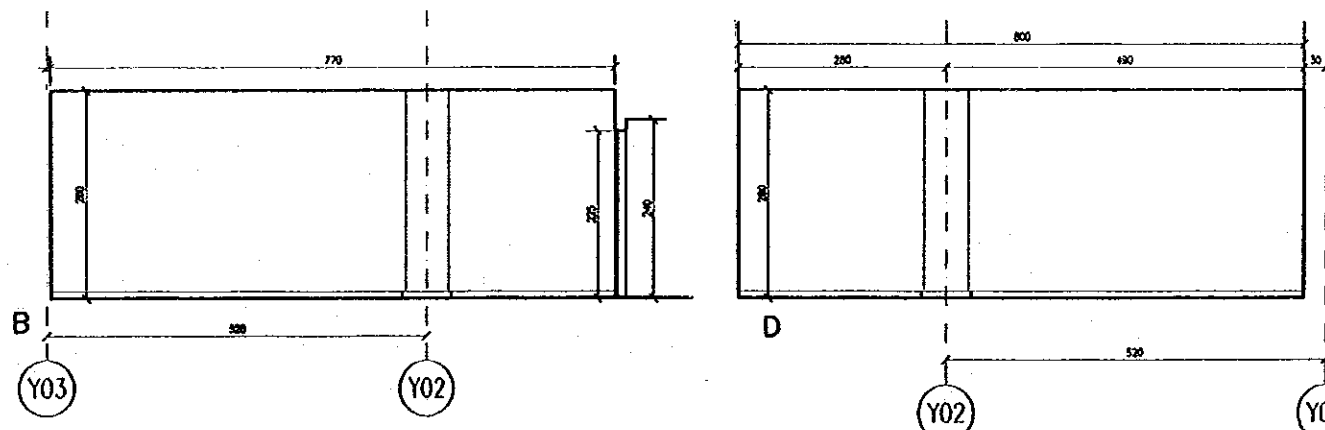
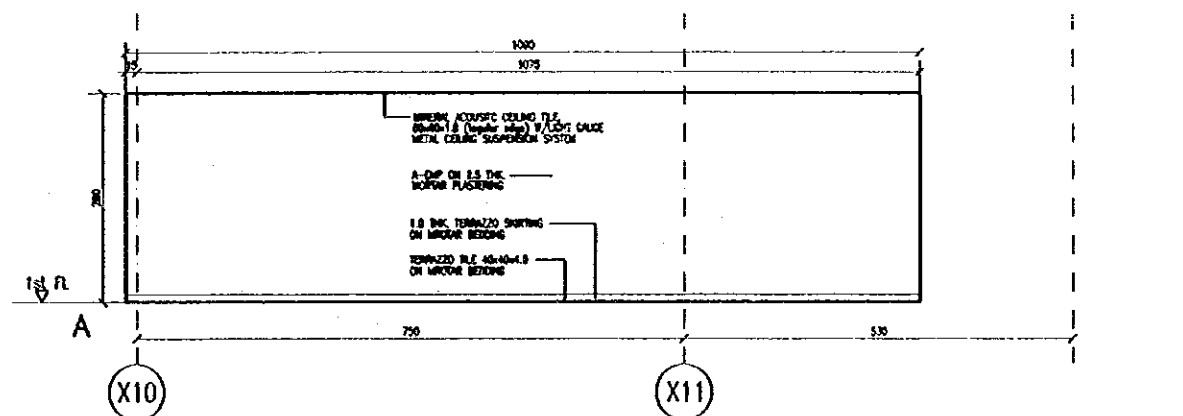
The copyright of this drawing rests with JICA.



1 PRODUCTION ROOM
SCALE = 1:50



2 DETAIL PLAN
SCALE = 1:50



3 LABORATORY
SCALE = 1:50

Designed by:

Japan International Cooperation Agency (JICA)

JICA Study Team:

Joint Venture of Pacific Consultants International and Yamato Sekkei Inc.

Subcontracted Local Consultant:

Jafar Tukan and Partners Architects and Engineers

Drawing Title:

LABORATORY

Scale:

1:50

Drawing No.:

A-411

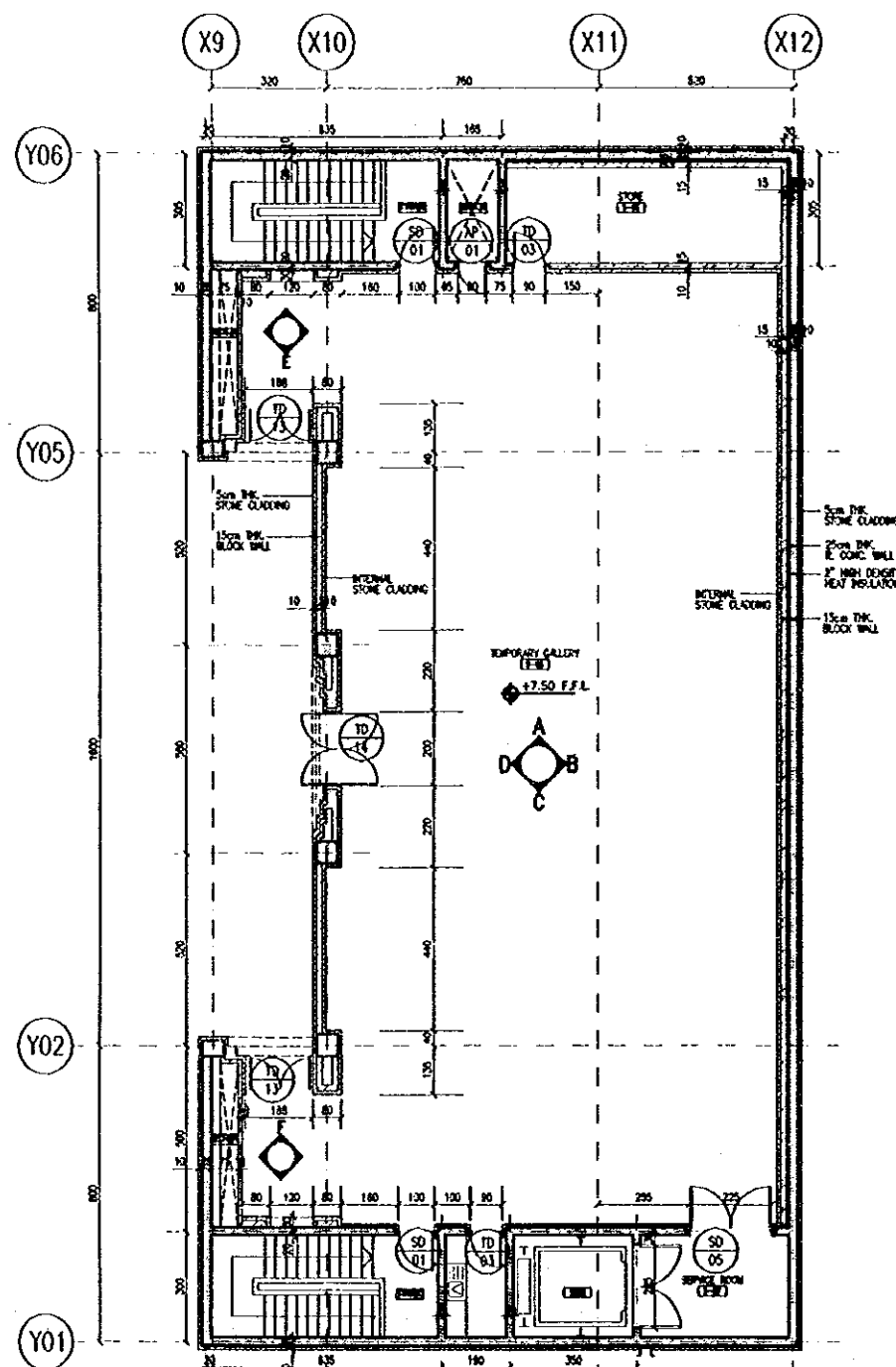
Sub Project:

NATIONAL MUSEUM

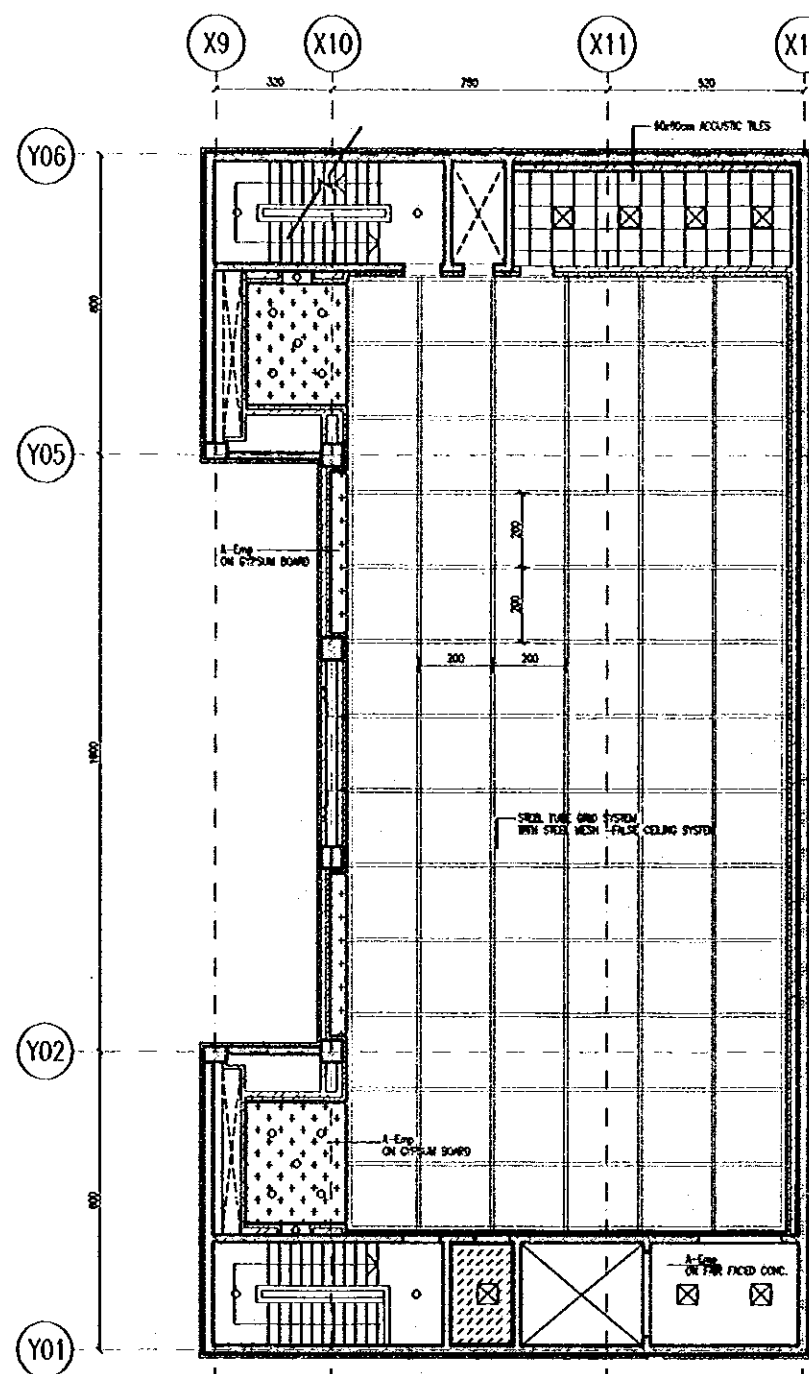
Note:

This detailed design has been executed by a team of consultants as shown below in accordance with the agreement between Japan International Cooperation Agency (JICA) and JICA Study Team.

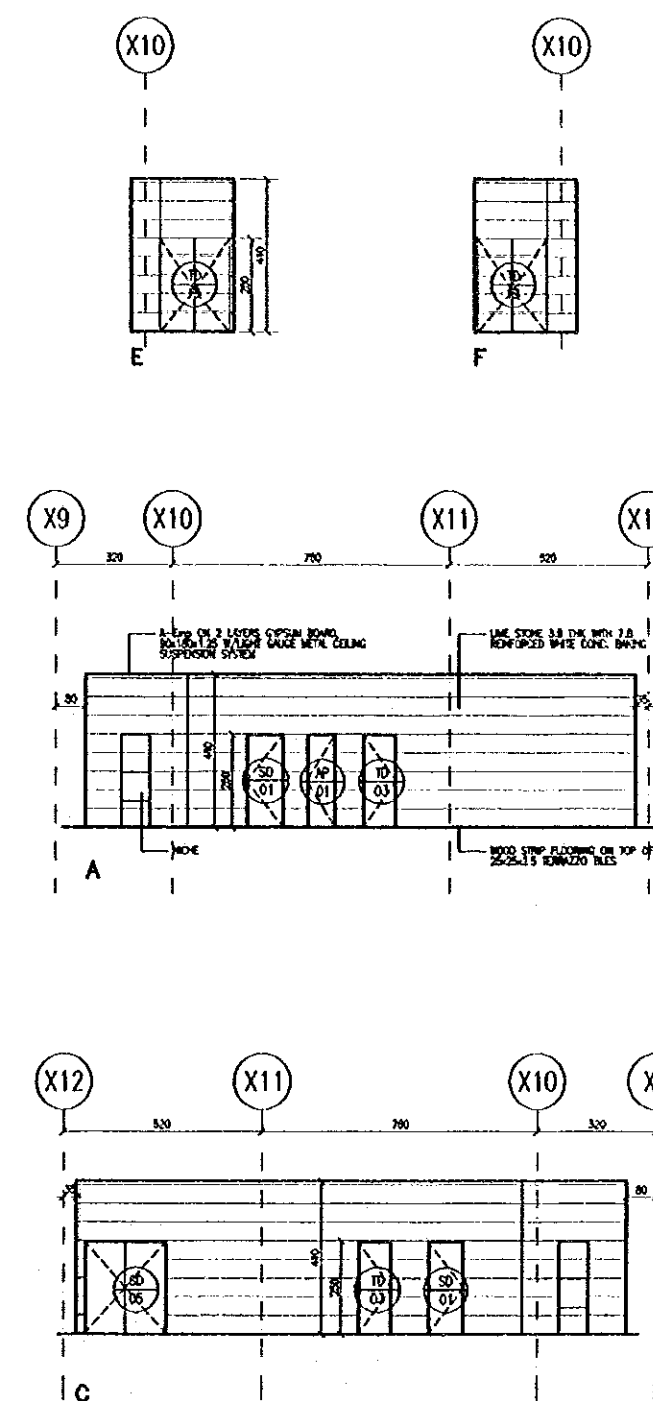
The copyright of this drawing rests with JICA.



1 DETAIL PLAN
A-412 SCALE = 1:100



2 DETAIL REFLECTED CEILING
A-412 SCALE = 1:100

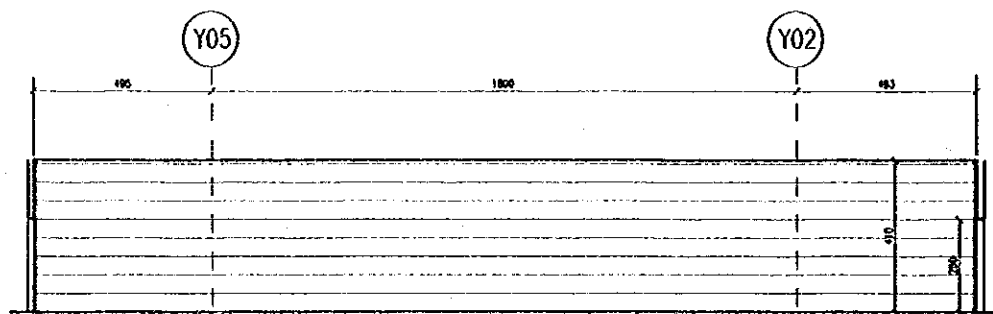


A

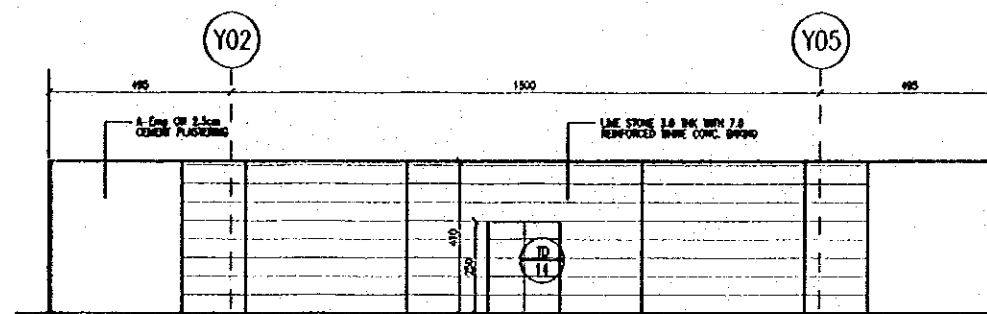
B

C

D



B



D

3 INTERNAL ELEVATION
A-412 SCALE = 1:100

Designed by:

Japan International Cooperation Agency (JICA)

JICA Study Team:

Joint Venture of Pacific Consultants International and Yamashita Sekkei Inc.

Subcontracted Local Consultant:

Jafar Tukan and Partners Architects and Engineers

Drawing Title:

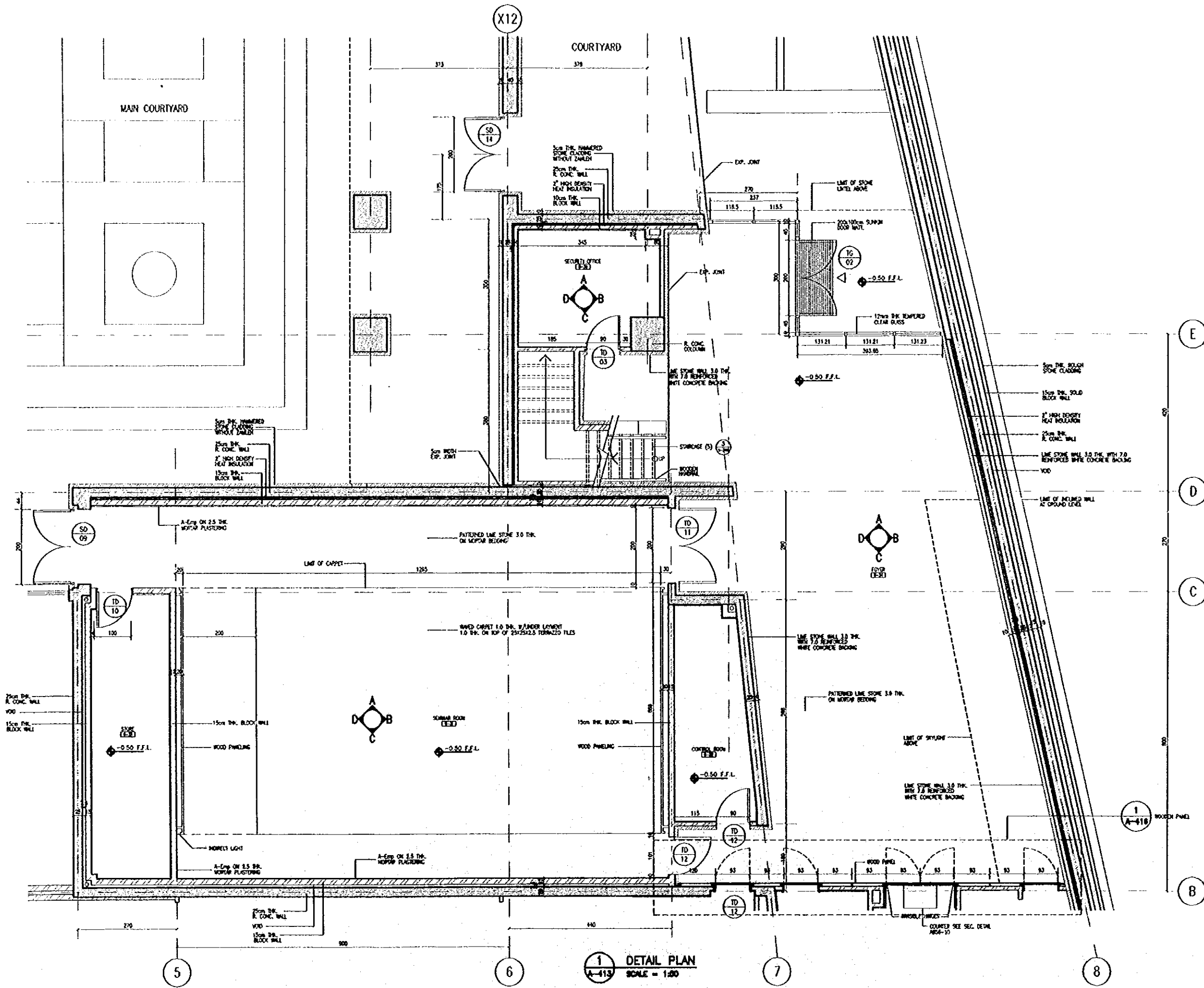
TEMPORARY GALLERY

Scale:

1:100

Drawing No.:

A-412



1 DETAIL PLAN
A-413
SCALE = 1:50

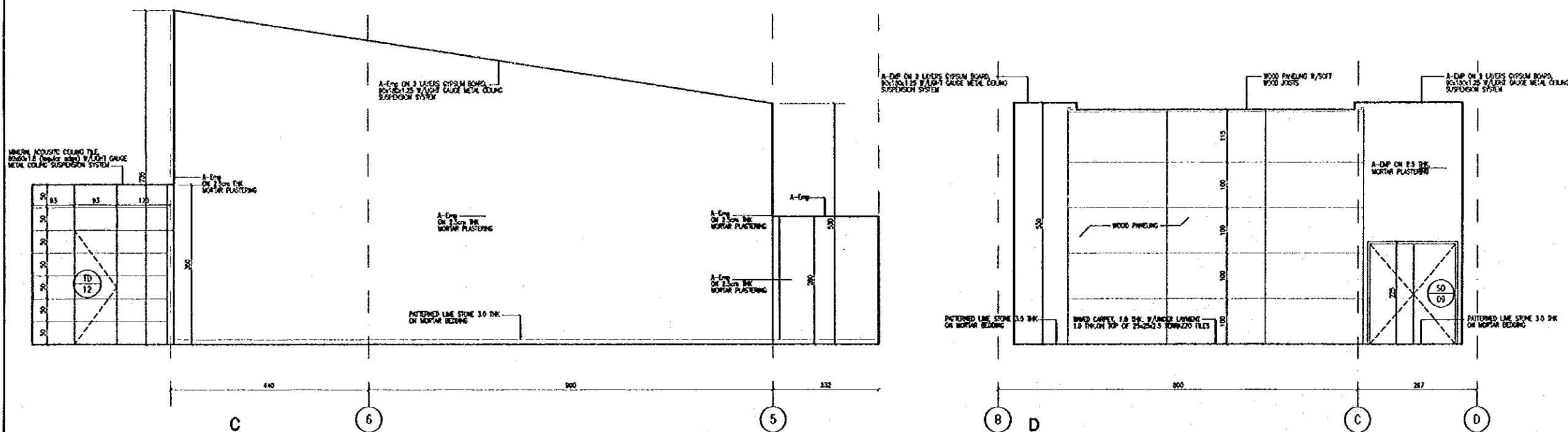
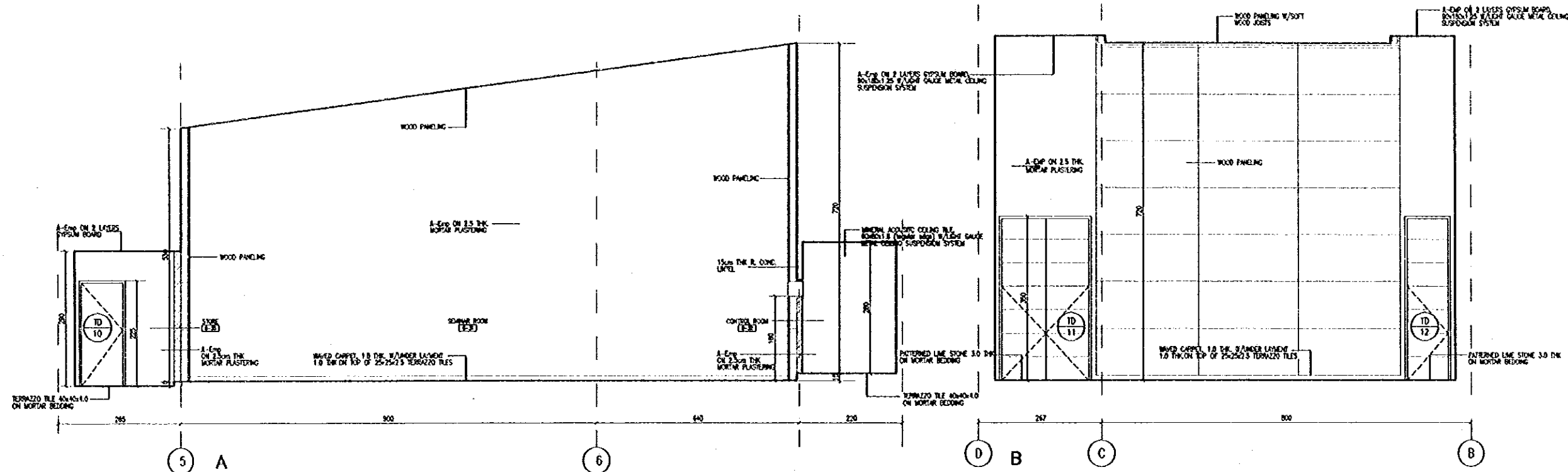
Designed by:
Japan International Cooperation
Agency (JICA)
JICA Study Team:
Joint Venture of
Pacific Consultants International and
Yamasa Sekkei Inc.
Subcontracted Local Consultant:
Jafar Tukan and Partners
Architects and Engineers

Drawing Title:
SEMINAR ROOM (1)

Scale: 1:50
Drawing No.: A-413

Note:
This detailed design has been executed by a team of consultants as shown below in accordance with the agreement between Japan International Cooperation Agency (JICA) and JICA Study Team.

The copyright of this drawing rests with JICA.



1 INTERNAL ELEVATION (SEMINAR ROOM)
A-414 SCALE = 1:50

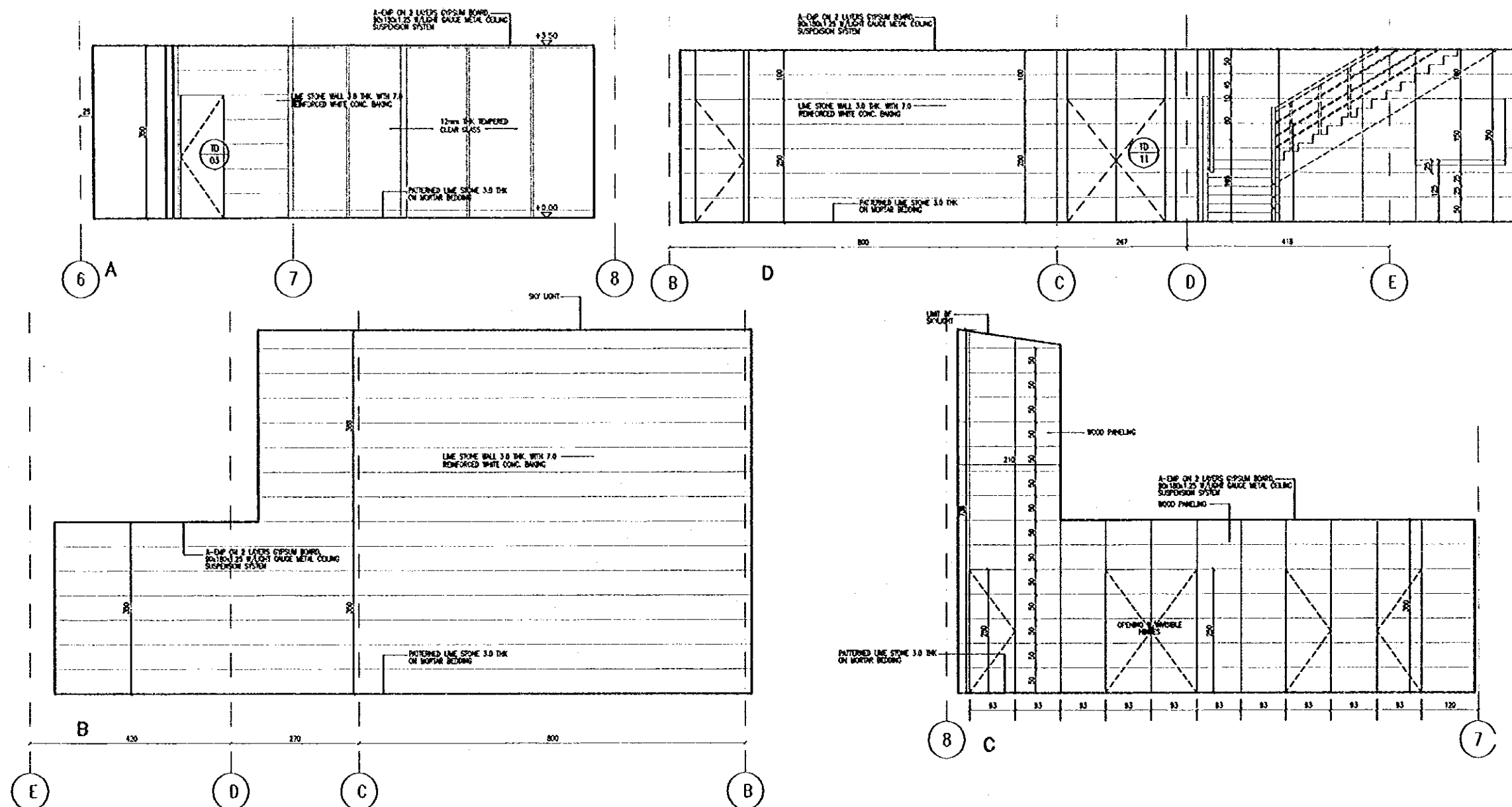
Designed by:
Japan International Cooperation Agency (JICA)
JICA Study Team:
Joint Venture of Pacific Consultants International and Yamashita Sekkel Inc.
Subcontracted Local Consultant:
Jafar Tukon and Partners Architects and Engineers

Drawing Title:
SEMINAR ROOM (2)

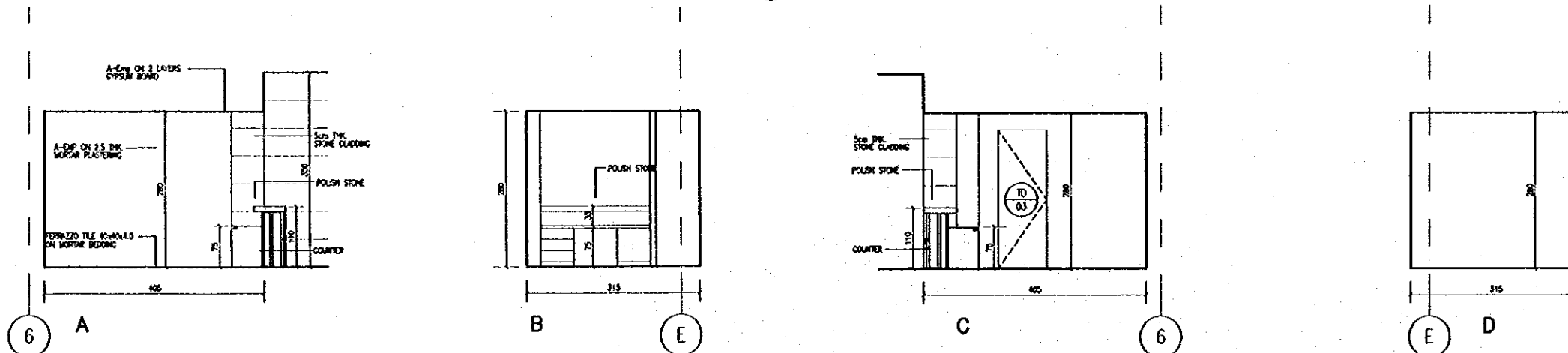
Scale: 1:50
Drawing No.: A-414

Note:
This detailed design has been executed by a team
of consultants as shown below in accordance with
the agreement between Japan International
Cooperation Agency (JICA) and JICA Study Team.

The copyright of this drawing rests with JICA.



1 INTERNAL ELEVATION (FOYER)
A-419 SCALE = 1:80



2 INTERNAL ELEVATION (SECURITY OFFICE)
A-419 SCALE = 1:80

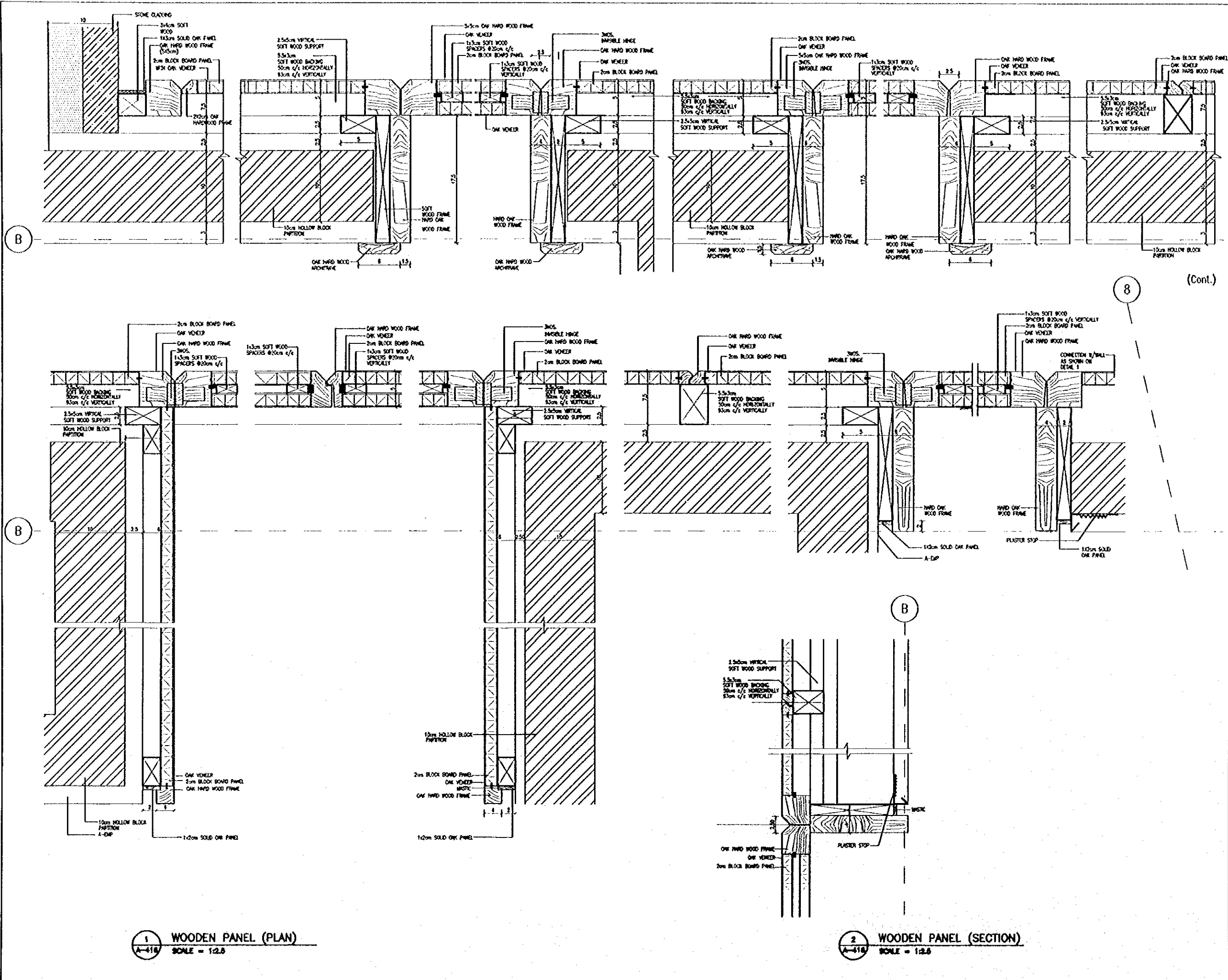
Designed by:
Japan International Cooperation
Agency (JICA)
JICA Study Team:
Joint Venture of
Pacific Consultants International and
Yamasita Sekkel Inc.
Subcontracted Local Consultant:
Jafar Tukan and Partners
Architects and Engineers

Drawing Title:
SEMINAR ROOM (3)

Scale: 1:80 Drawing No: A-419

Note:
This detailed design has been executed by a team
of consultants as shown below in accordance with
the agreement between Japan International
Cooperation Agency (JICA) and JICA Study Team.

The copyright of this drawing rests with JICA.



1 WOODEN PANEL (PLAN)
A-416 SCALE = 1:2.5

2 WOODEN PANEL (SECTION)
A-416 SCALE = 1:2.5

(Cont.)

8

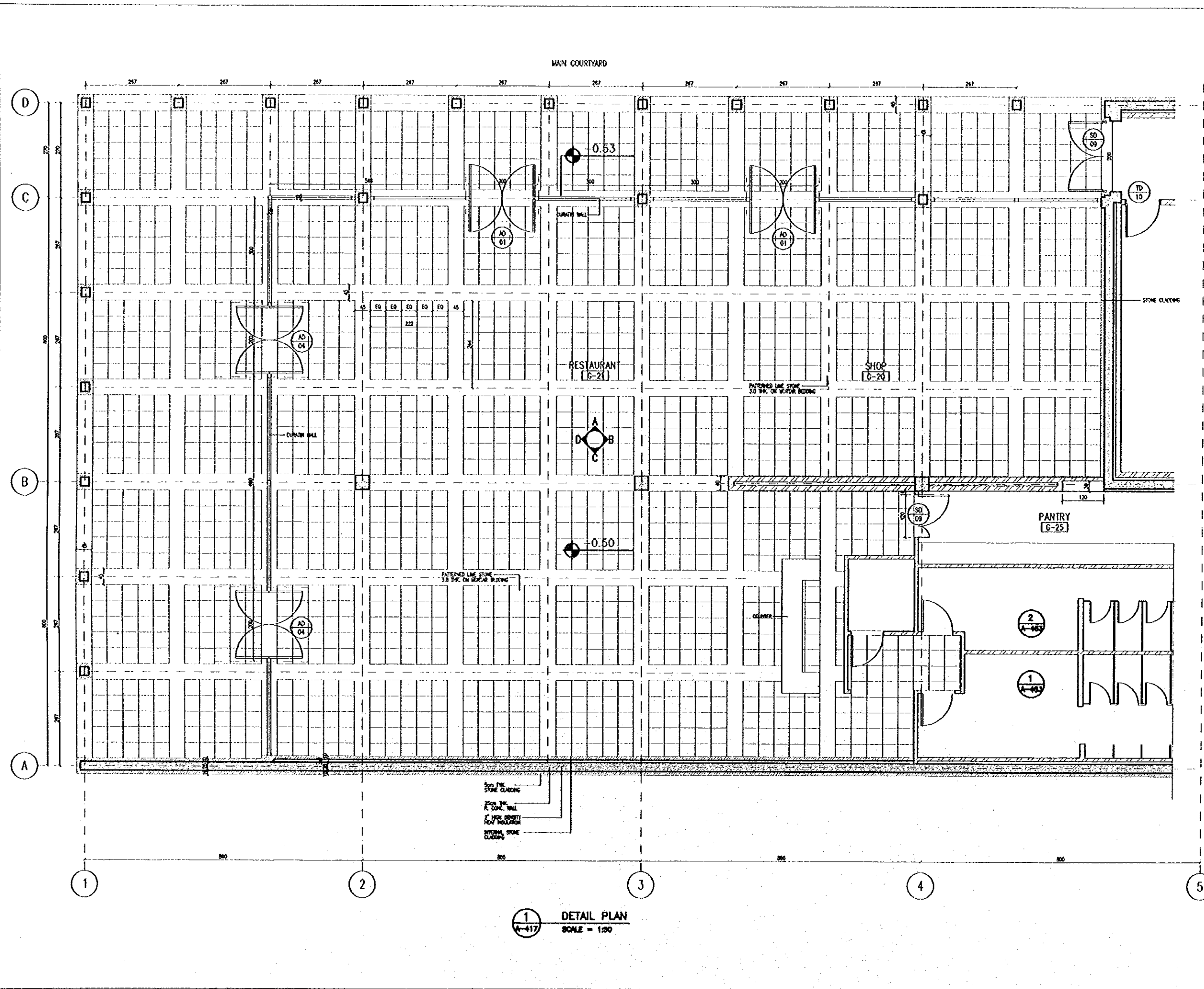
Designed by:
Japan International Cooperation Agency (JICA)
JICA Study Team:
Joint Venture of
Pacific Consultants International and
Yamashita Sekkel Inc.
Subcontracted Local Consultant:
Jafor Tukon and Partners
Architects and Engineers

Drawing Title:
SEMINAR ROOM (4)

Scale: 1:2.5 Drawing No.: A-416

Note:
This detailed design has been executed by a team
of consultants as shown below in accordance with
the agreement between Japan International
Cooperation Agency (JICA) and JICA Study Team.

The copyright of this drawing rests with JICA.



1
A-417
DETAIL PLAN
SCALE = 1:50

Designed by:
Japan International Cooperation
Agency (JICA)
JICA Study Team:
Joint Venture of
Pacific Consultants International and
Yamashita Sekkel Inc.
Subcontracted Local Consultant:
Jafor Tukan and Partners
Architects and Engineers

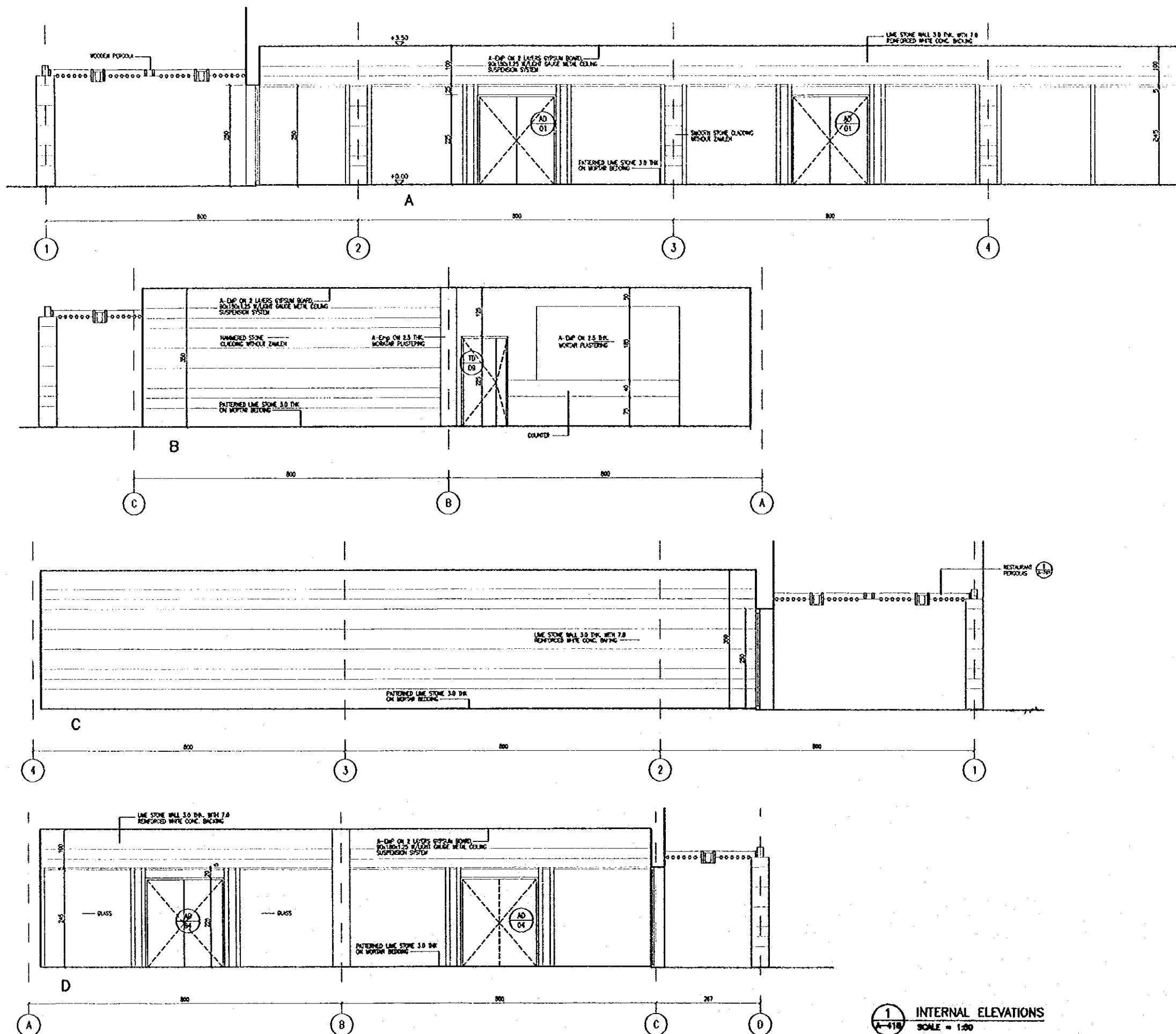
Drawing Title:
RESTAURANT (1)

Scale:
1:50
Drawing No.:
A-417

49

Note:
This detailed design has been executed by a team
of consultants as shown below in accordance with
the agreement between Japan International
Cooperation Agency (JICA) and JICA Study Team.

The copyright of this drawing rests with JICA.

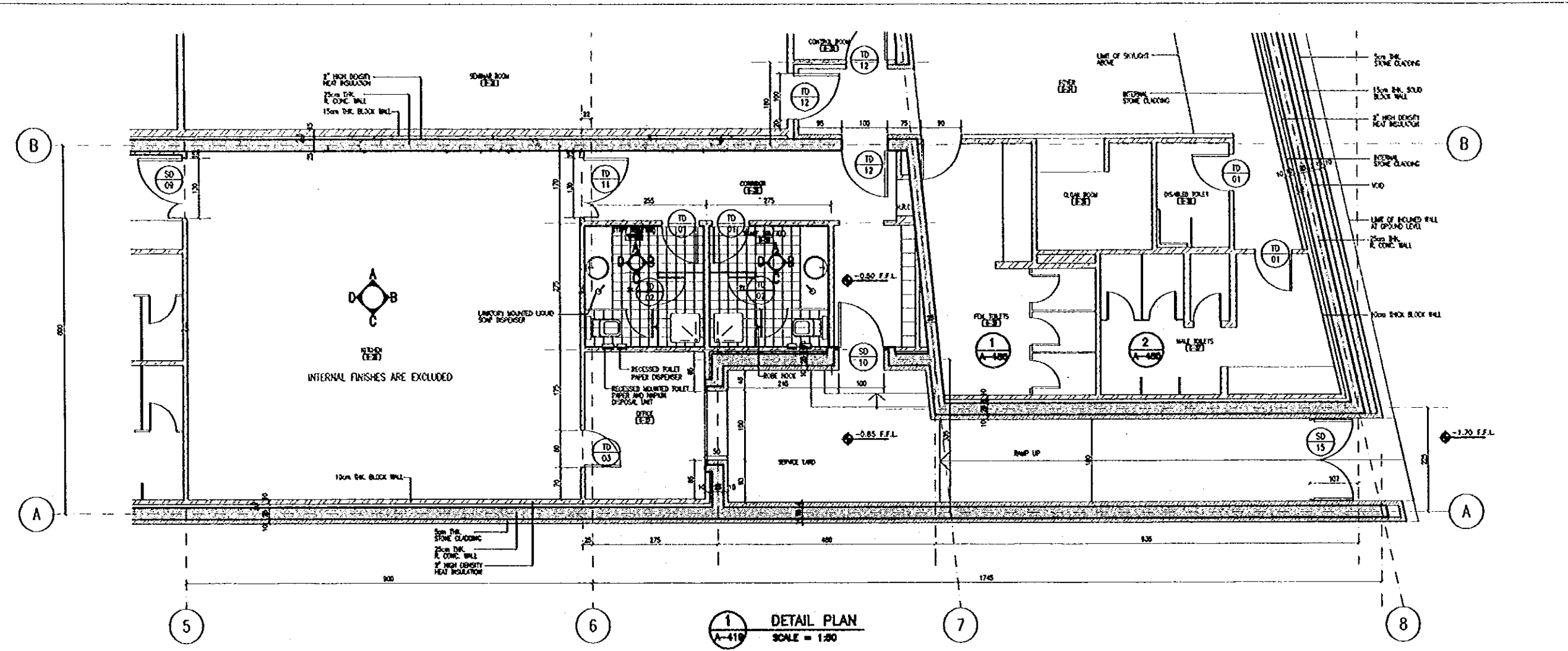


Designed by:
Japan International Cooperation
Agency (JICA)
JICA Study Team:
Joint Venture of
Pacific Consultants International and
Yamashita Sekkel Inc.
Subcontracted Local Consultant:
Jafar Tukon and Partners
Architects and Engineers

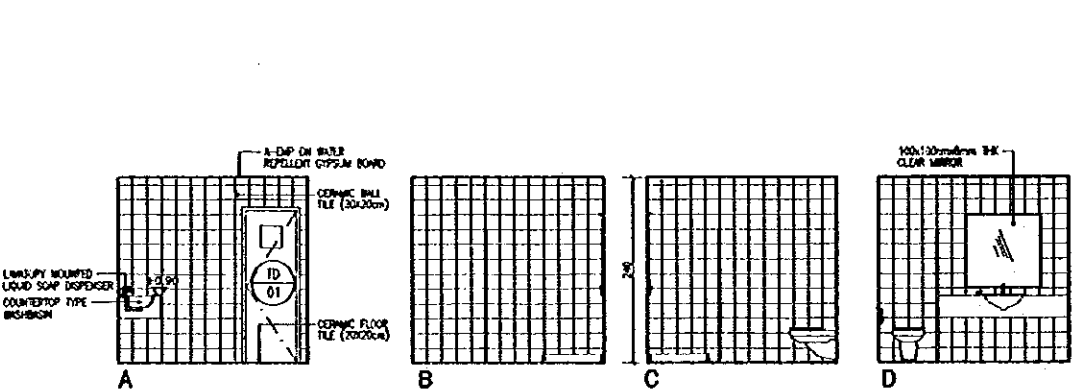
Drawing Title:
RESTAURANT (2)

Scale: 1:200
Drawing No.: A-418

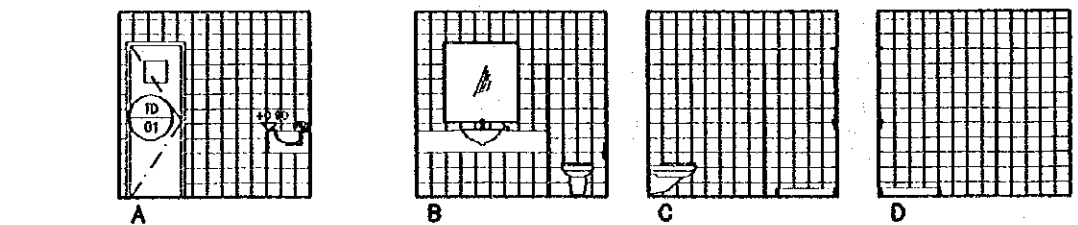
Note:
This detailed design has been executed by a team
of consultants as shown below in accordance with
the agreement between Japan International
Cooperation Agency (JICA) and JICA Study Team.
The copyright of this drawing rests with JICA.



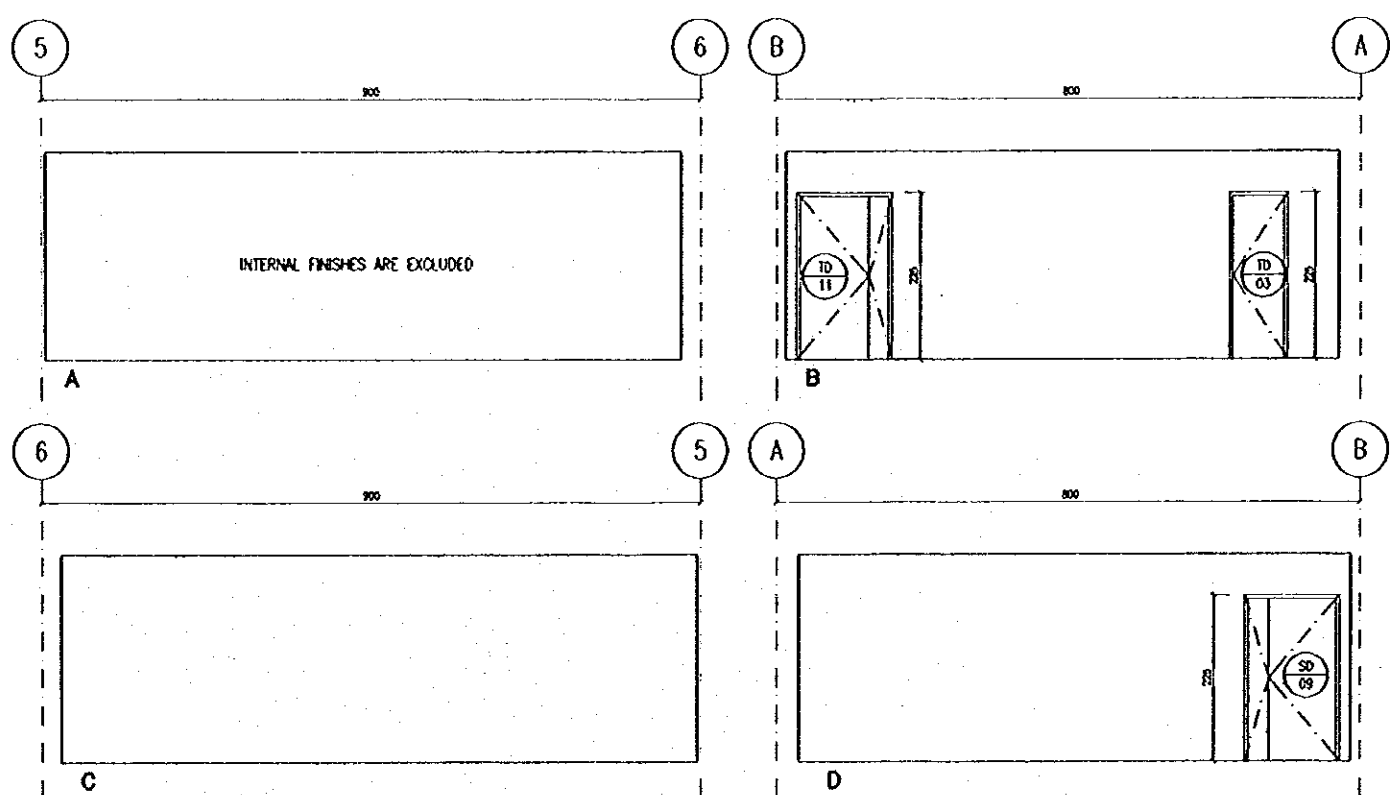
1 **DETAIL PLAN**
A-419 **SCALE = 1:50**



2 **STAFF TOILETS (M)**
A-419 **SCALE = 1:50**



3 **STAFF TOILETS (F)**
A-419 **SCALE = 1:50**



4 **KITCHEN**
A-419 **SCALE = 1:50**

Designed by:
Japan International Cooperation
Agency (JICA)
JICA Study Team:
Joint Venture of
Pacific Consultants International and
Yamasita Sekkei Inc.
Subcontracted Local Consultant:
Jafar Tukan and Partners
Architects and Engineers

Drawing Title:
RESTAURANT (3)

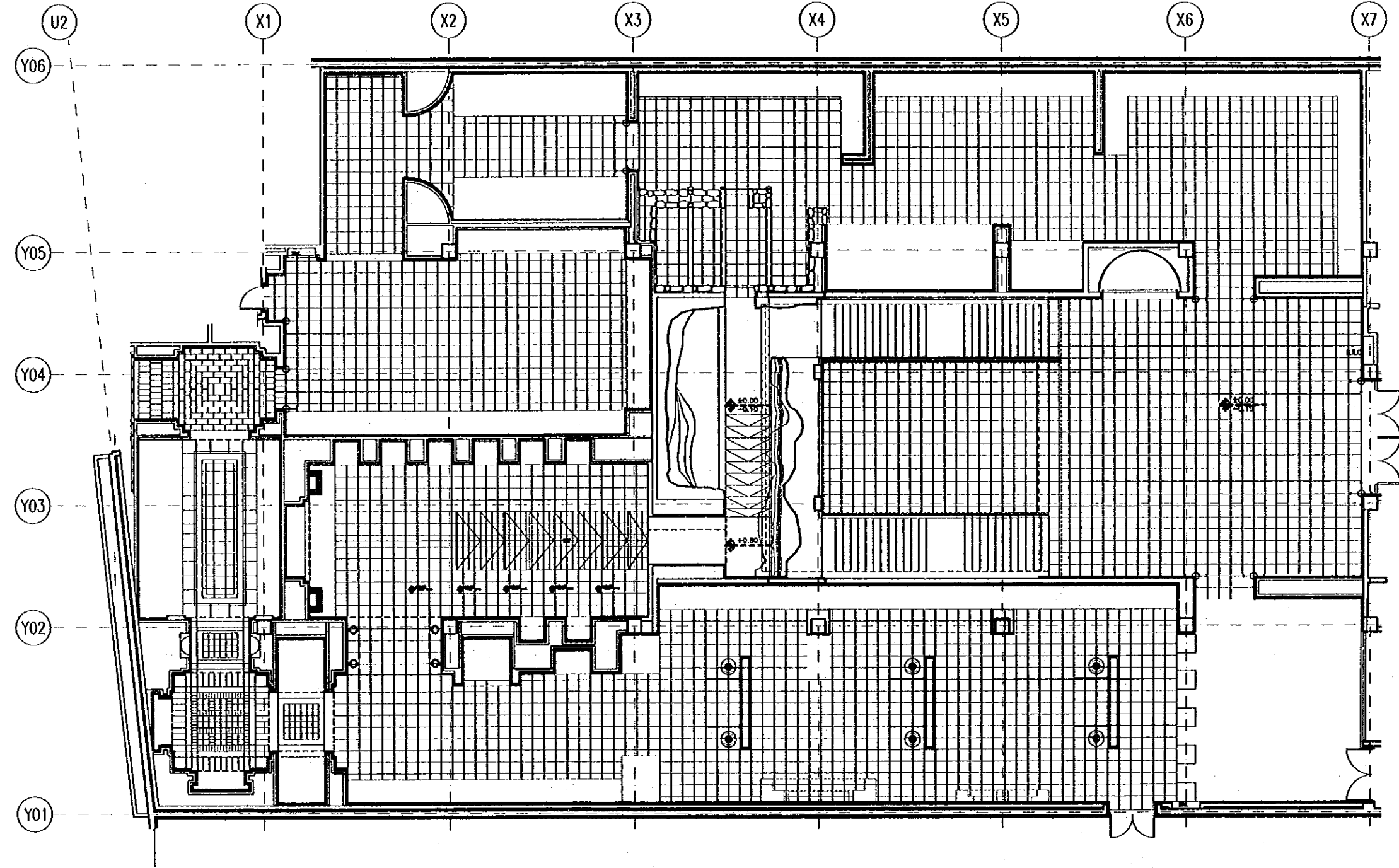
Scale: **1:50** Drawing No.: **A-419**

Tourism Sector Development Project
in the Hashemite Kingdom of Jordan

The Government of
The Hashemite Kingdom of Jordan
The Ministry of Tourism and Antiquities
The Ministry of Planning

Sub-Project:
NATIONAL MUSEUM

Note:
This detailed design has been executed by a team
of consultants as shown below in accordance with
the agreement between Japan International
Cooperation Agency (JICA) and JICA Study Team.
The copyright of this drawing rests with JICA.



Designed by:
Japan International Cooperation
Agency (JICA)
JICA Study Team:
Joint Venture of
Pacific Consultants International and
Yamasita Sekkel Inc.
Subcontracted Local Consultant:
Jafor Tukan and Partners
Architects and Engineers

Drawing Title:
**EXHIBITION HALL
GENERAL PLAN (G.F.L.)**

Scale: 1/100 Drawing No.: A-425

1/100