

Tourism Sector Development Project  
in the Hashemite Kingdom of Jordan

The Government of  
the Hashemite Kingdom of Jordan  
The Ministry of Tourism and Antiquities  
The Ministry of Planning

Sub-Project:  
Amman Downtown  
Tourist Zone Development

Note:  
- This detailed design has been executed by a team of  
consultants as shown below in accordance with the agreement  
between Japan International Cooperation Agency (JICA) and  
JICA Study Team.  
- The copyright of this drawing rests with JICA.

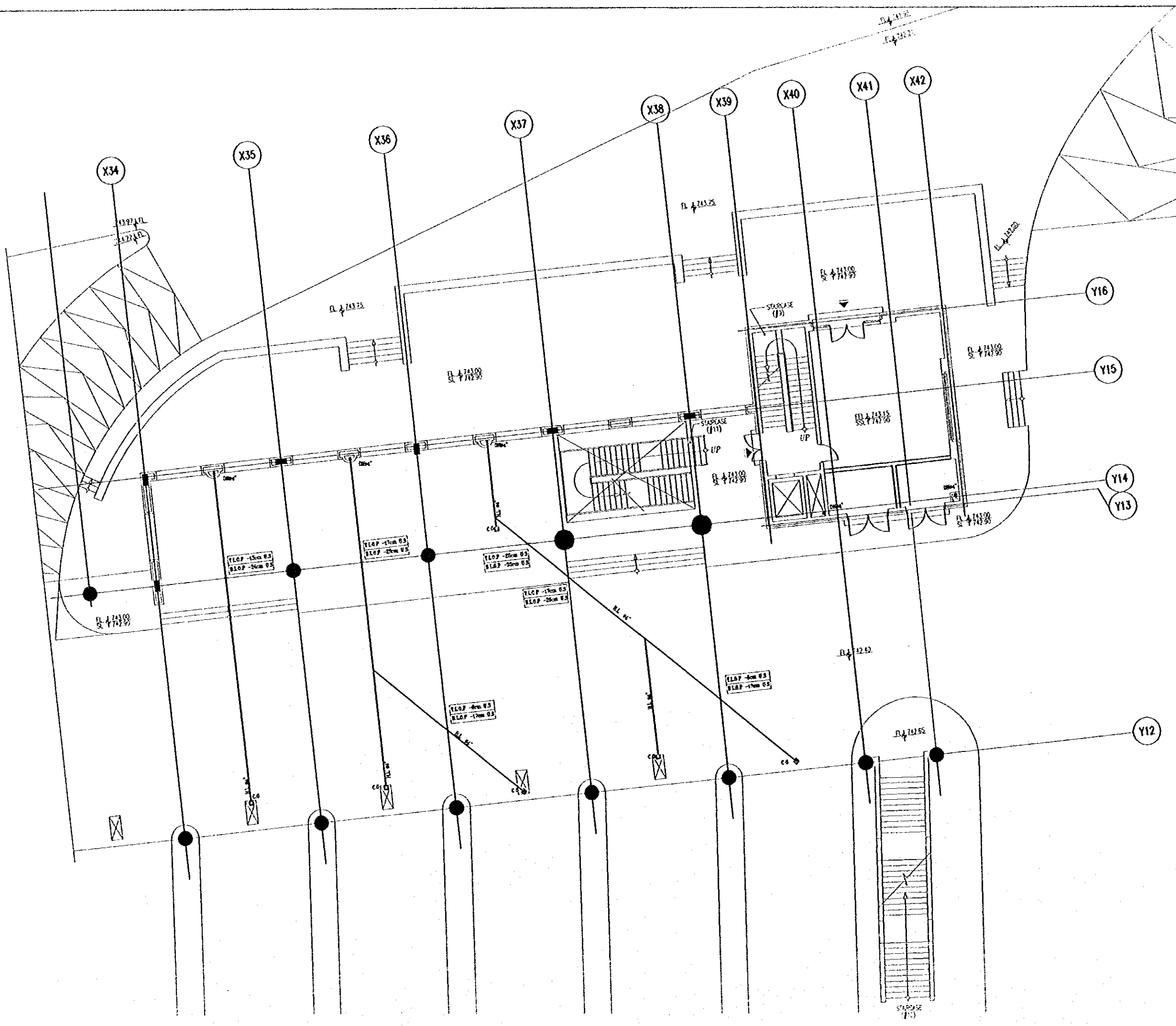
NOTE :-  
FD :- FLOOR DRAIN  
C.O. :- CLEANOUT  
U.T. :- UNDER THE  
U.S. :- UNDER STAIR  
U.G. :- UNDER GROUND  
T.L.O.P. :- TOP LEVEL OF PIPE  
B.L.O.P. :- BOTTOM LEVEL OF PIPE

Designed by:  
Japan International Cooperation Agency  
(JICA)  
JICA Study Team:  
Joint Venture of  
Pacific Consultants International and  
Yamashita Sekkei Inc.  
Subcontracted Local Consultant:  
TBAH Consultants  
Architects, Engineers

Raghadan Bus Terminal

Drawing Title:  
RAIN WATER SYSTEM  
FOR GROUND FLOOR ZONE 5

Scale: 1/100  
Drawing No: RBT .M516



Tourism Sector Development Project  
in the Hashemite Kingdom of Jordan

The Government of  
the Hashemite Kingdom of Jordan  
The Ministry of Tourism and Antiquities  
The Ministry of Planning

Sub-Project:  
Amman Downtown  
Tourist Zone Development

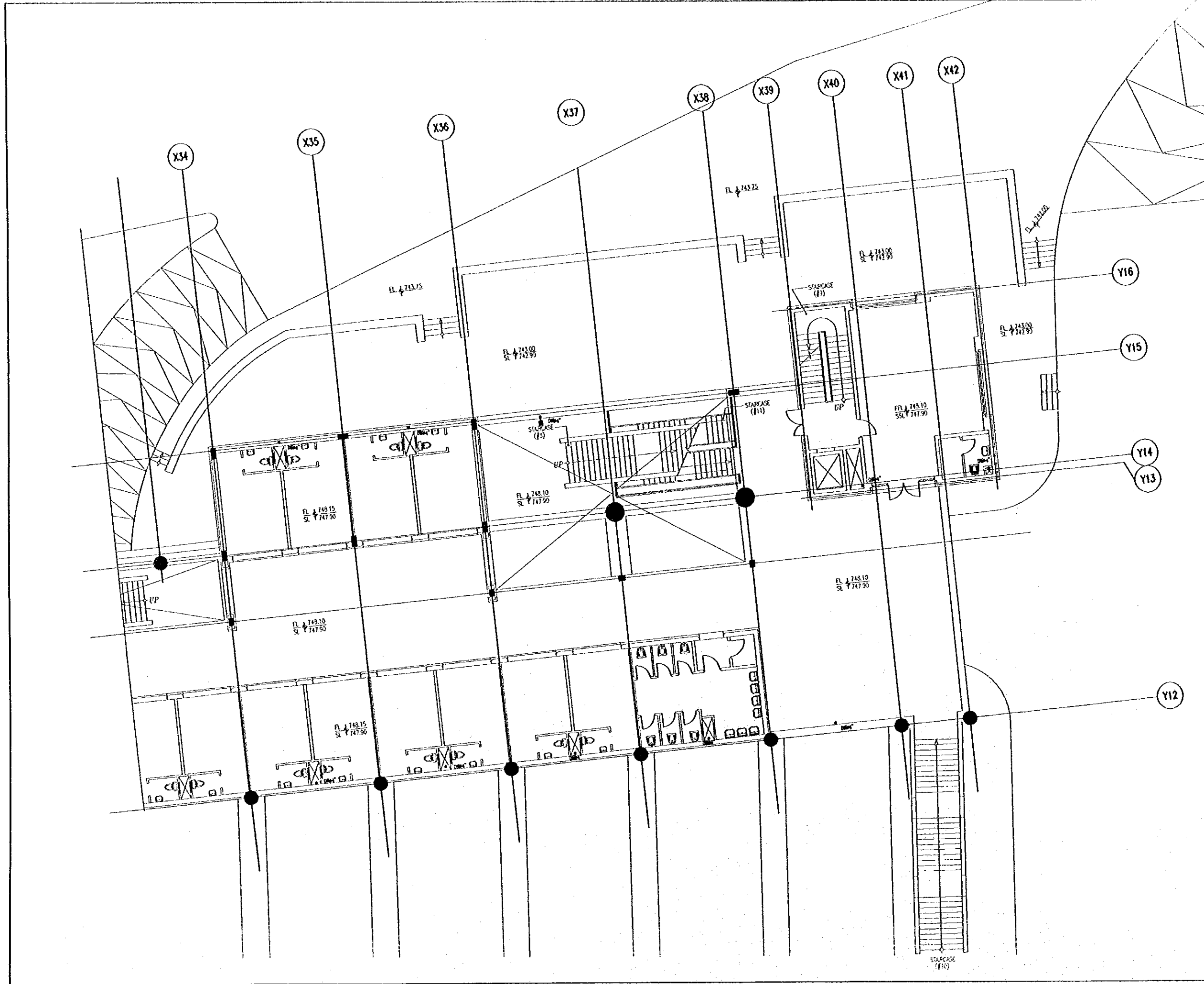
Note:  
• This detailed design has been executed by a team of consultants as shown below in accordance with the agreement between Japan International Cooperation Agency (JICA) and JICA Study Team.  
• The copyright of this drawing rests with JICA.

Designed by:  
Japan International Cooperation Agency (JICA)  
JICA Study Team:  
Joint Venture of  
Pacific Consultants International and  
Yamashita Saito Inc.  
Subcontracted Local Consultant:  
RBAK Consultants  
Architects, Engineers

Raghadan Bus Terminal

Drawing Title:  
**RAIN WATER SYSTEM  
FOR FIRST FLOOR ZONE 5**

Scale: 1/100 Drawing No.: RBT.M517



117

Tourism Sector Development Project  
in the Hashemite Kingdom of Jordan

The Government of  
the Hashemite Kingdom of Jordan  
The Ministry of Tourism and Antiquities  
The Ministry of Planning

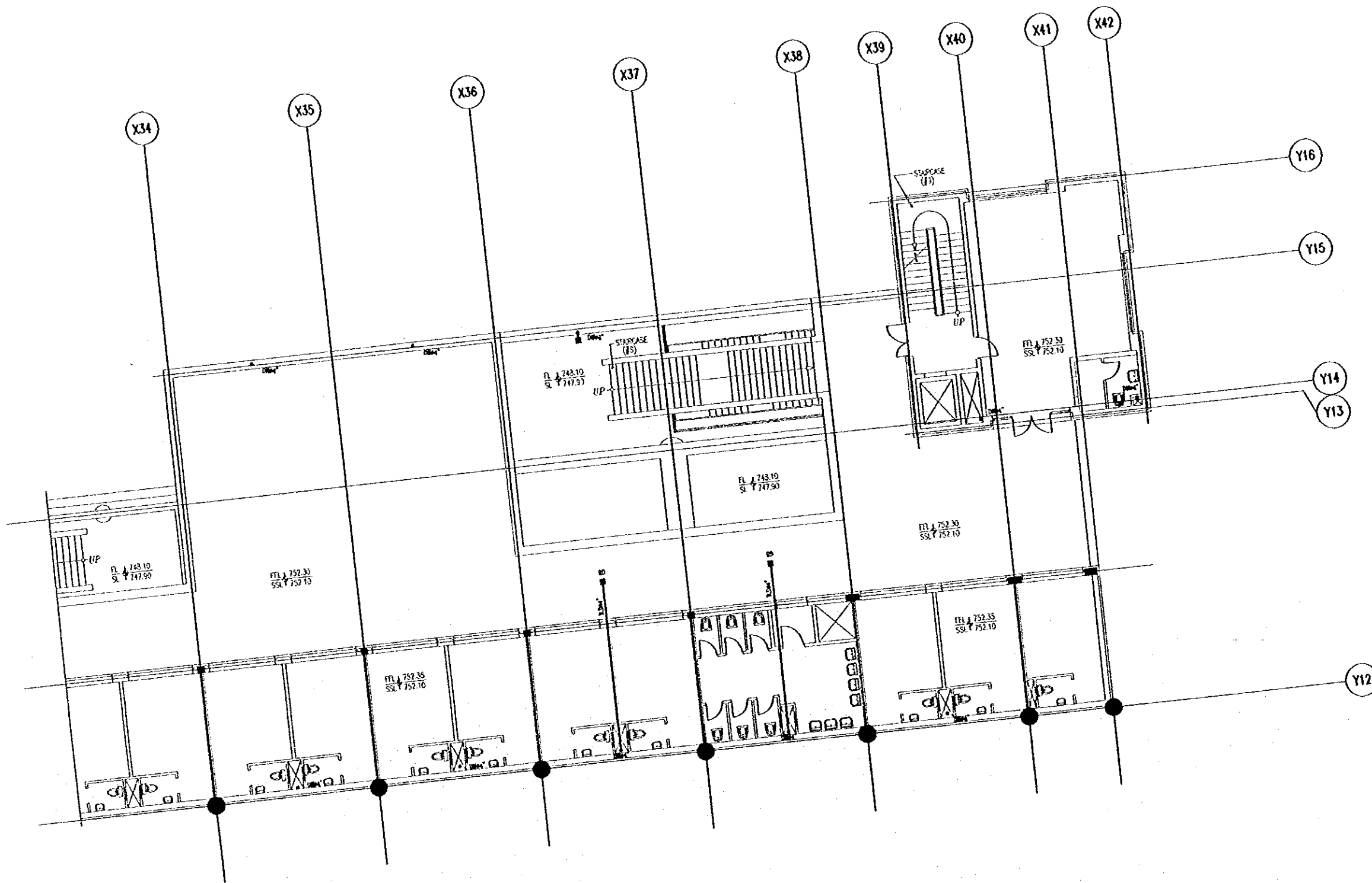
Sub-Project:  
Ammon Downtown  
Tourist Zone Development

Note:  
• This detailed design has been executed by a team of  
consultants as shown below in accordance with the agreement  
between Japan International Cooperation Agency (JICA) and  
JICA Study Team.  
• The copyright of this drawing rests with JICA.

Designed by:  
Japan International Cooperation Agency  
(JICA)  
JICA Study Team:  
Joint Venture of  
Pacific Consultants International and  
Yamato Sekkei Inc.  
Subcontracted Local Consultant:  
RBAH Consultants  
Architects, Engineers

Raghadan Bus Terminal  
Drawing Title:  
RAIN WATER SYSTEM  
FOR SECOND FLOOR ZONE 5

Scale: 1/100 Drawing No.: RBT .M518

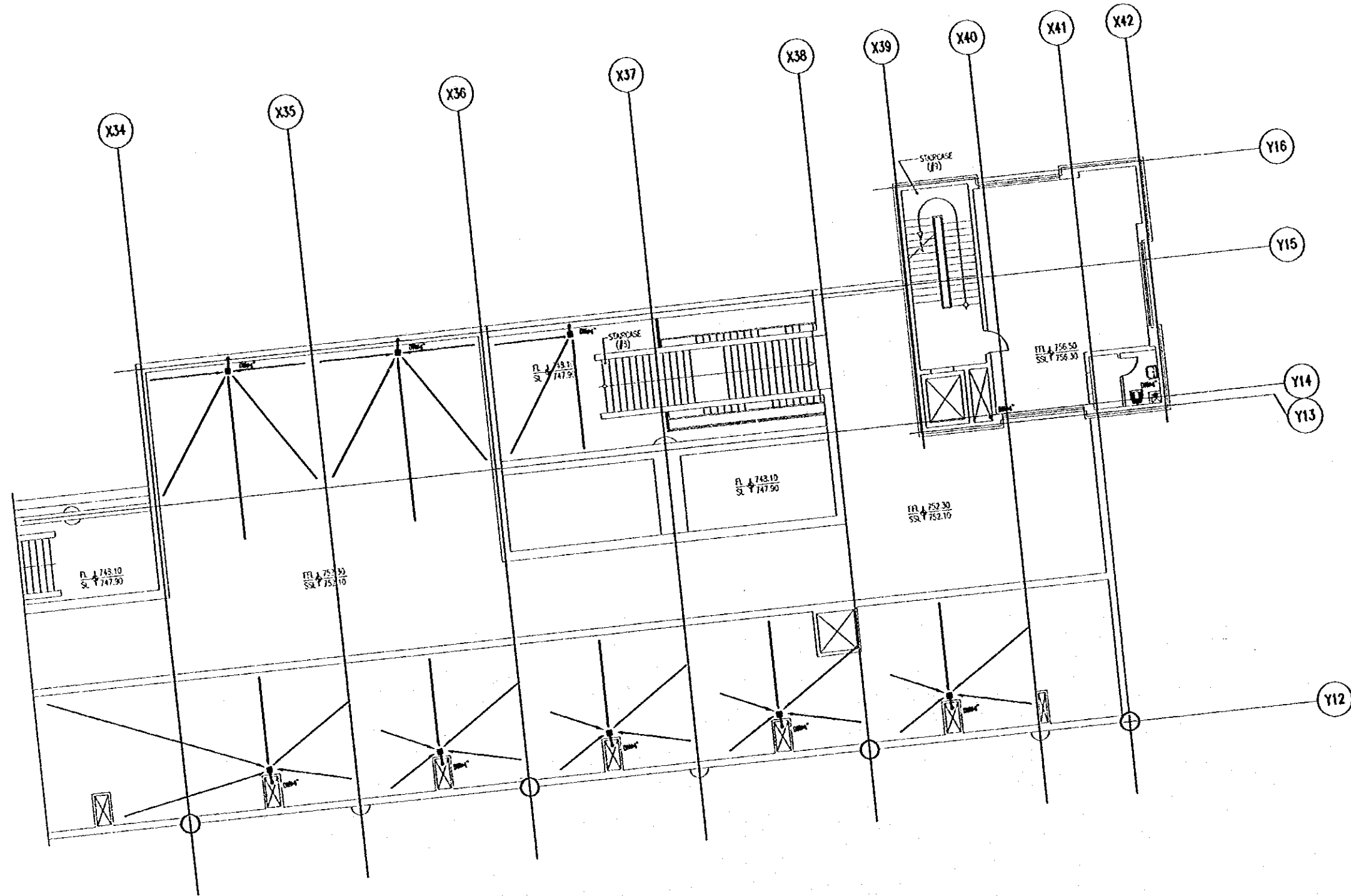


Tourism Sector Development Project  
In the Hashemite Kingdom of Jordan

The Government of  
the Hashemite Kingdom of Jordan  
The Ministry of Tourism and Antiquities  
The Ministry of Planning

Sub-Project:  
Amman Downtown  
Tourist Zone Development

Note:  
• The detailed design has been executed by a team of  
consultants as shown below in accordance with the agreement  
between Japan International Cooperation Agency (JICA) and  
JICA Study Team.  
• The copyright of this drawing rests with JICA.

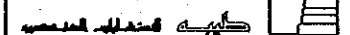


Designed by:  
Japan International Cooperation Agency  
(JICA)

JICA Study Team:  
Joint Venture of  
Pacific Consultants International and  
Yamasita Sekkei Inc.

Subcontracted Local Consultant:

RIAH Consultants  
Architects, Engineers

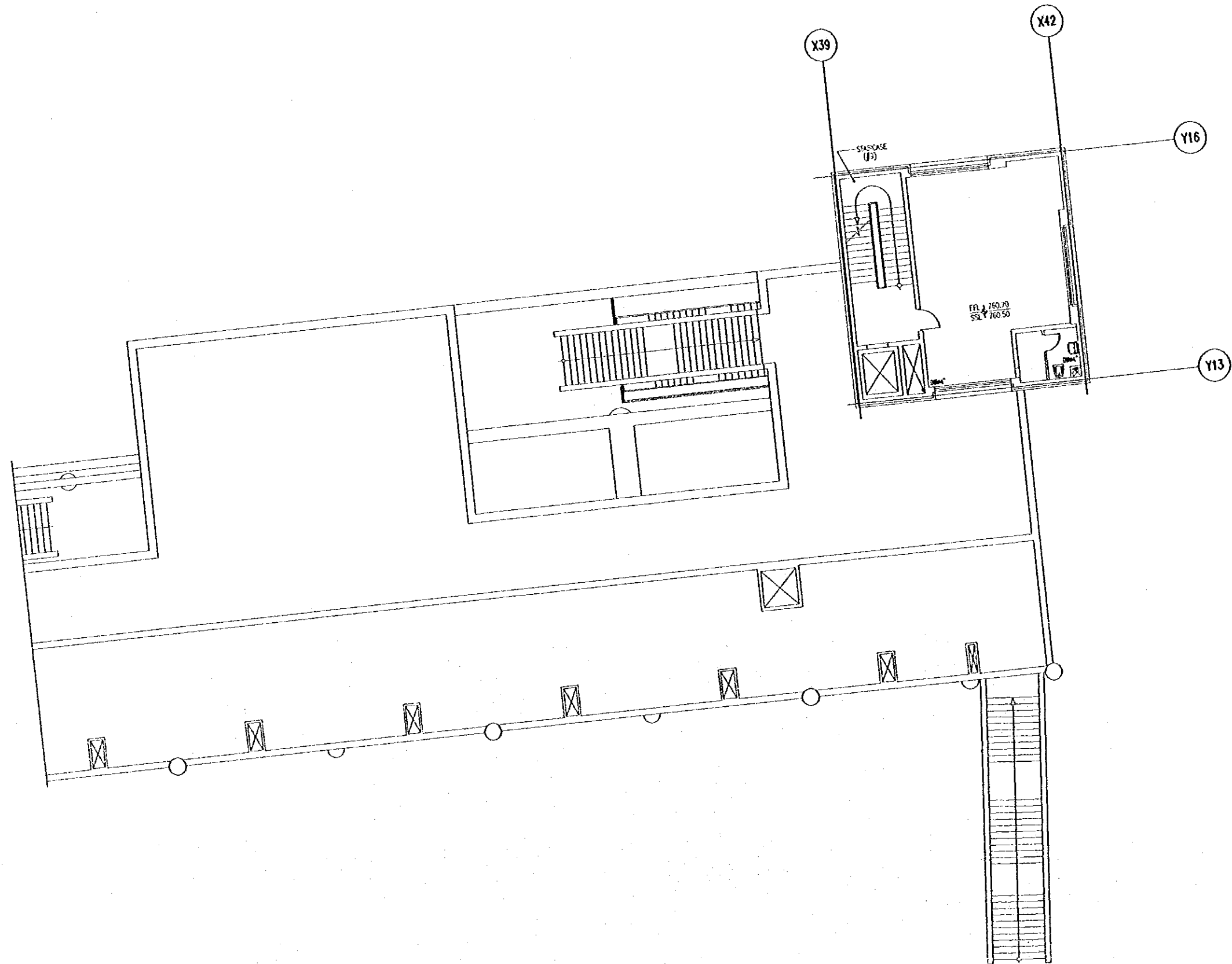


Raghadan Bus Terminal

Drawing Title:  
RAIN WATER SYSTEM  
FOR THIRD FLOOR ZONE 5

Scale:  
1/100

Drawing No.:  
RBT .M519



Tourism Sector Development Project  
In the Hashemite Kingdom of Jordan

The Government of  
the Hashemite Kingdom of Jordan  
The Ministry of Tourism and Antiquities  
The Ministry of Planning

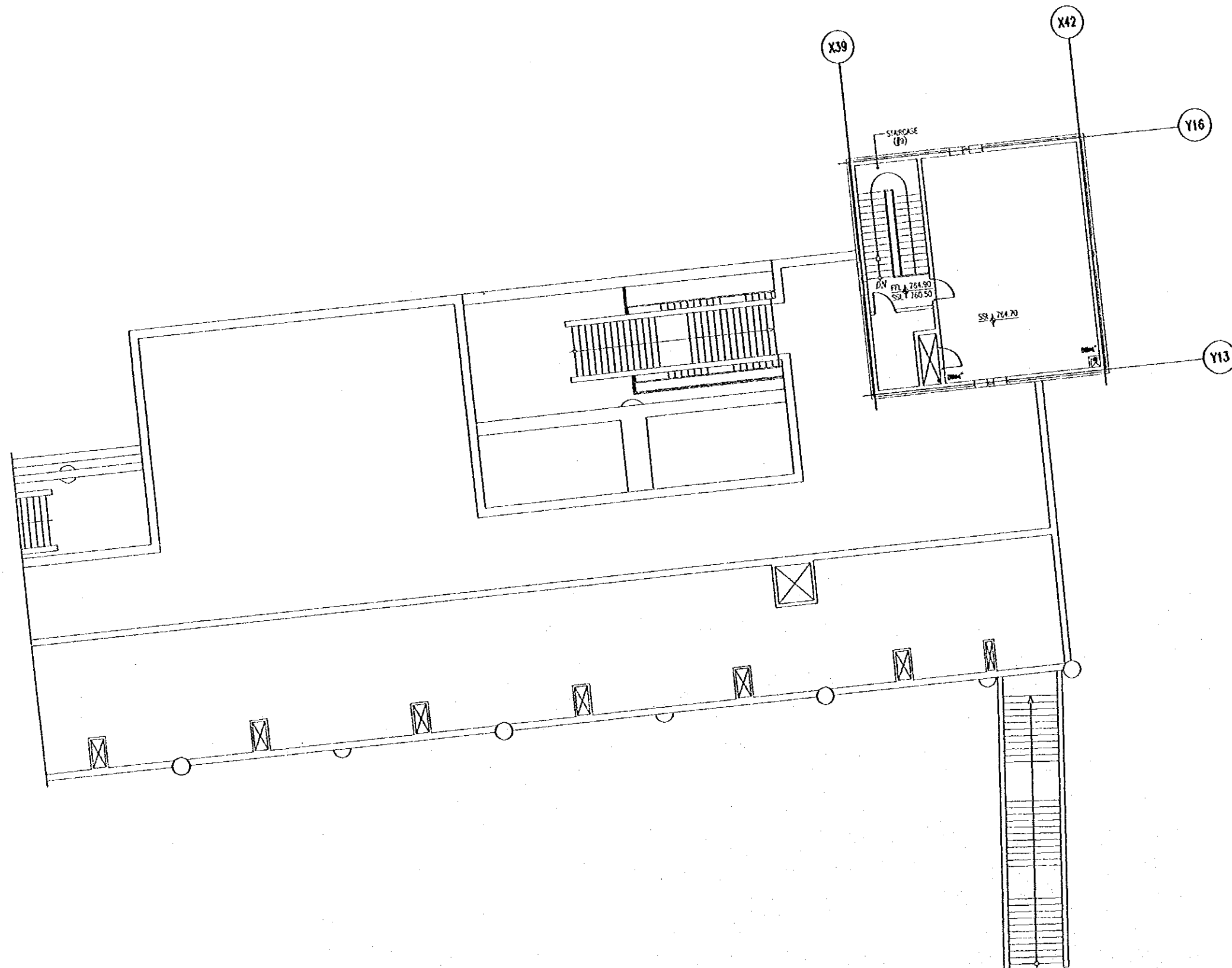
Sub-Project:  
Amman Downtown  
Tourist Zone Development

Note:  
• This detailed design has been executed by a team of  
consultants as shown below in accordance with the agreement  
between Japan International Cooperation Agency (JICA) and  
JICA Study Team.  
• The copyright of this drawing rests with JICA.

Designed by:  
Japan International Cooperation Agency  
(JICA)  
JICA Study Team:  
Joint Venture of  
Pacific Consultants International and  
Yamashita Sekitel Inc.  
Subcontracted Local Consultant:  
TIRAH Consultants  
Architects, Engineers  
 

Raghadan Bus Terminal  
Drawing Title:  
**RAIN WATER SYSTEM  
FOR FORTH FLOOR ZONE 5**

Scale: 1/100 Drawing No.: RBT .M520



Tourism Sector Development Project  
in the Hashemite Kingdom of Jordan

The Government of  
the Hashemite Kingdom of Jordan  
The Ministry of Tourism and Antiquities  
The Ministry of Planning

Sub-Project:  
Amman Downtown  
Tourist Zone Development

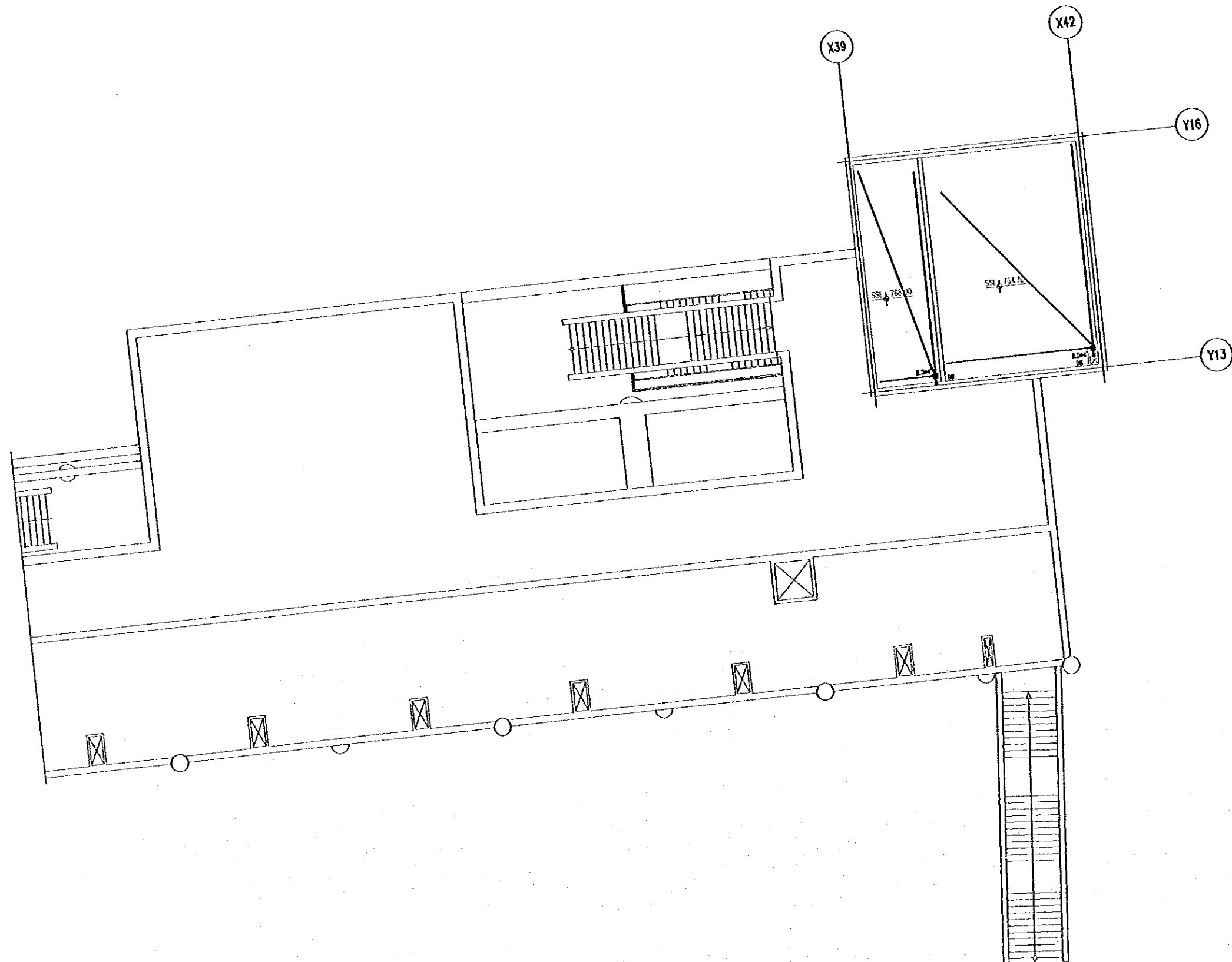
Note:  
• This detailed design has been executed by a team of consultants as shown below in accordance with the agreement between Japan International Cooperation Agency (JICA) and JICA Study Team.  
• The copyright of this drawing rests with JICA.

Designed by:  
Japan International Cooperation Agency (JICA)  
JICA Study Team:  
Joint Venture of  
Pacific Consultants International and  
Yamashita Seki & Co. Inc.  
Subcontracted Local Consultant:  
TMAH Consultants  
Architects, Engineers

Raghadan Bus Terminal

Drawing Title:  
RAIN WATER SYSTEM  
FOR FIFTH FLOOR ZONE 5

Scale: 1/100 Drawing No.: RBT JM521



Tourism Sector Development Project  
in the Hashemite Kingdom of Jordan

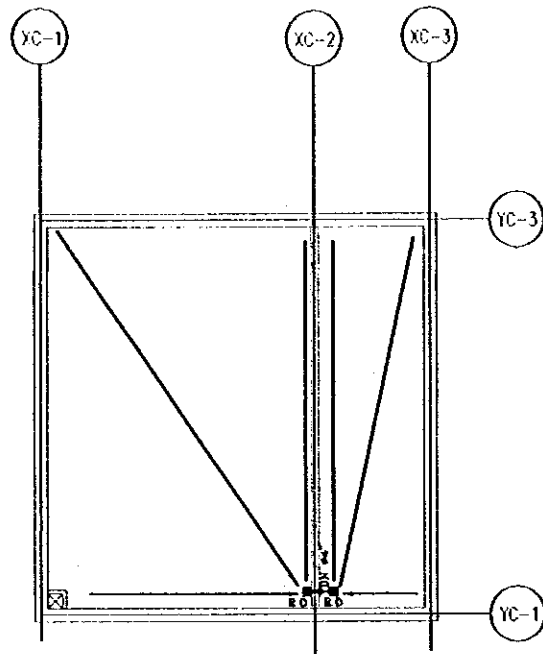
The Government of  
the Hashemite Kingdom of Jordan  
The Ministry of Tourism and Antiquities  
The Ministry of Planning

Sub-Project:  
Amman Downtown  
Tourist Zone Development

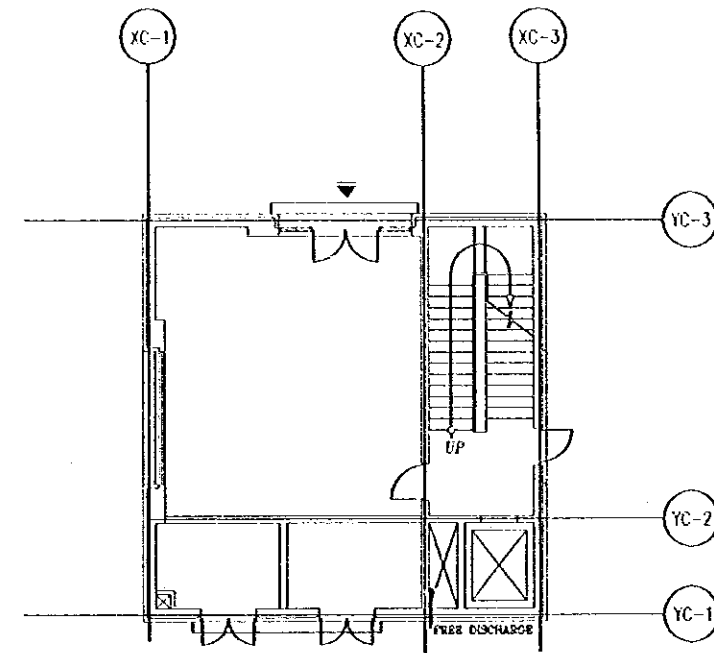
Note:  
• This detailed design has been executed by a team of  
consultants as shown below in accordance with the agreement  
between Japan International Cooperation Agency (JICA) and  
JICA Study Team.  
• The copyright of this drawing rests with JICA.

Designed by:  
Japan International Cooperation Agency  
(JICA)  
JICA Study Team:  
Joint Venture of  
Pacific Consultants International and  
Yamashita Sekkei Inc.  
Subcontracted Local Consultant:  
IBAH Consultants  
Architects, Engineers

Raghadan Bus Terminal  
Drawing Title:  
**RAIN WATER SYSTEM  
FOR ROOF FLOOR ZONE 5**  
Scale: 1/100 Drawing No.: RBT .M522



ROOF PLAN



GROUND FLOOR PLAN

Tourism Sector Development Project  
in the Hashemite Kingdom of Jordan

The Government of  
the Hashemite Kingdom of Jordan  
The Ministry of Tourism and Antiquities  
The Ministry of Planning

Sub-Project:  
Amman Downtown  
Tourist Zone Development

Note:  
- This detailed design has been executed by a team of  
consultants as shown below in accordance with the agreement  
between Japan International Cooperation Agency (JICA) and  
JICA Study Team.  
- the copyright of this drawing rests with JICA.

Designed by:  
Japan International Cooperation Agency  
(JICA)  
JICA Study Team:  
Joint Venture of  
Pacific Consultants International and  
Yamashita Sekirei Inc.  
Subcontracted Local Consultant:  
IBAH Consultants  
Architects, Engineers  

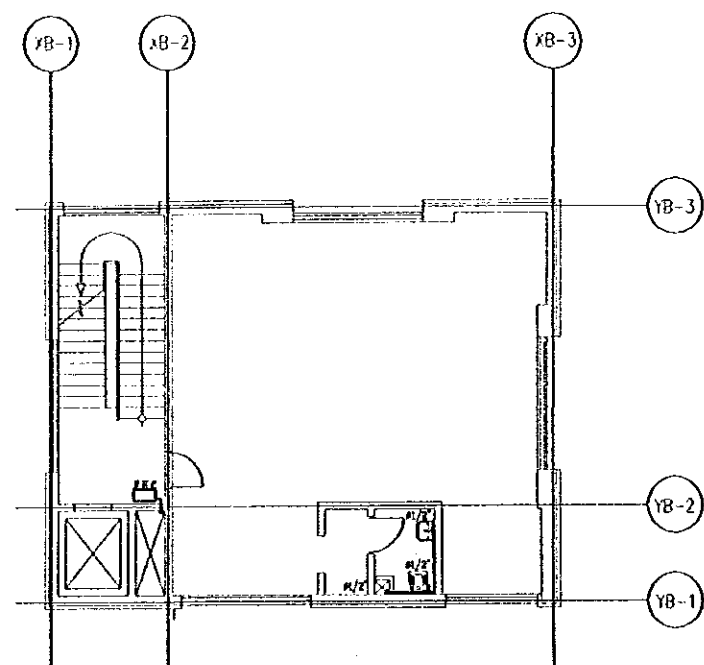

Raghadan Bus Terminal

Drawing Title:  
RAIN WATER SYSTEM FOR  
ZONE 7

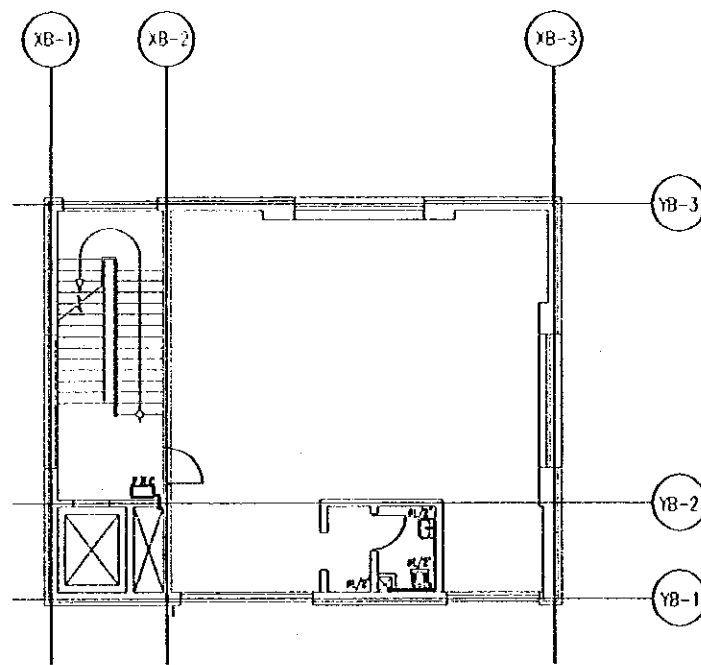
Scale: 1/100 Drawing No.: RBT M-523



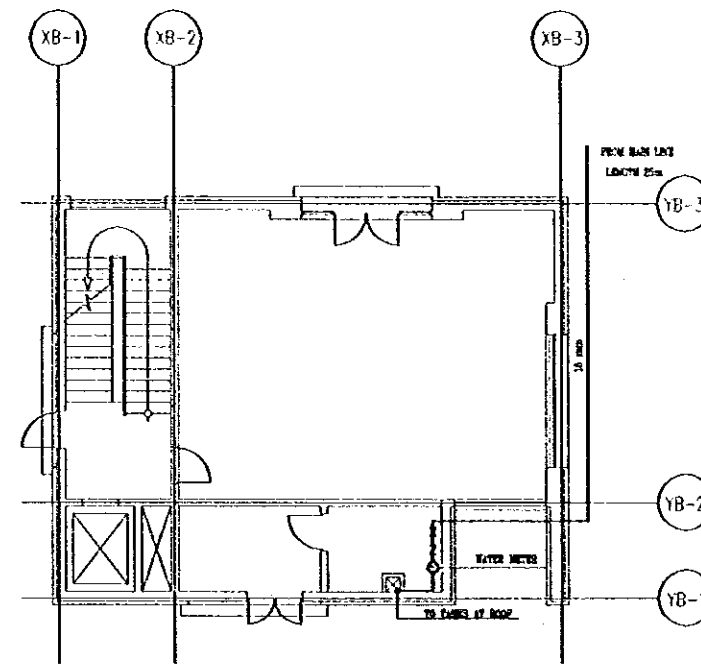
Note:  
- This detailed design has been executed by a team of consultants as shown below in accordance with the agreement between Japan International Cooperation Agency (JICA) and JICA Study Team.  
- The copyright of this drawing rests with JICA.



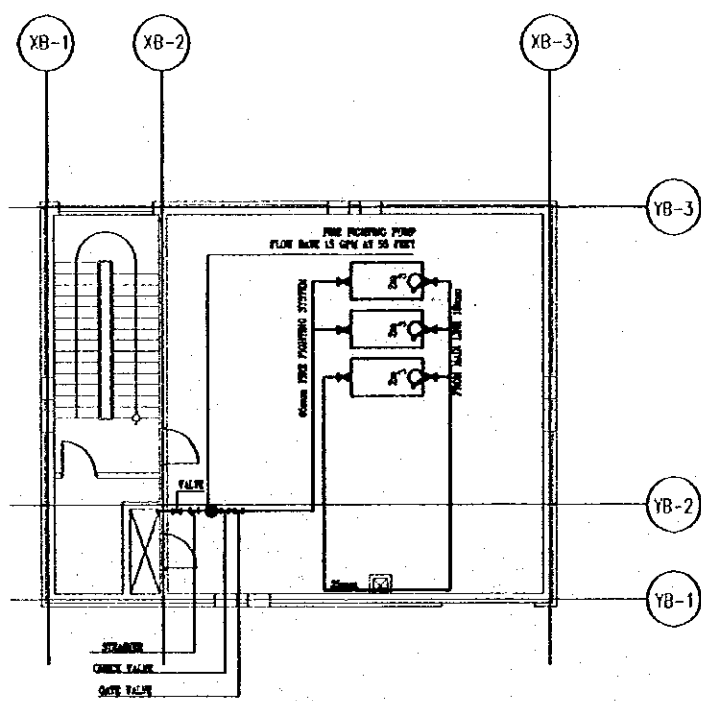
THIRD FLOOR PLAN



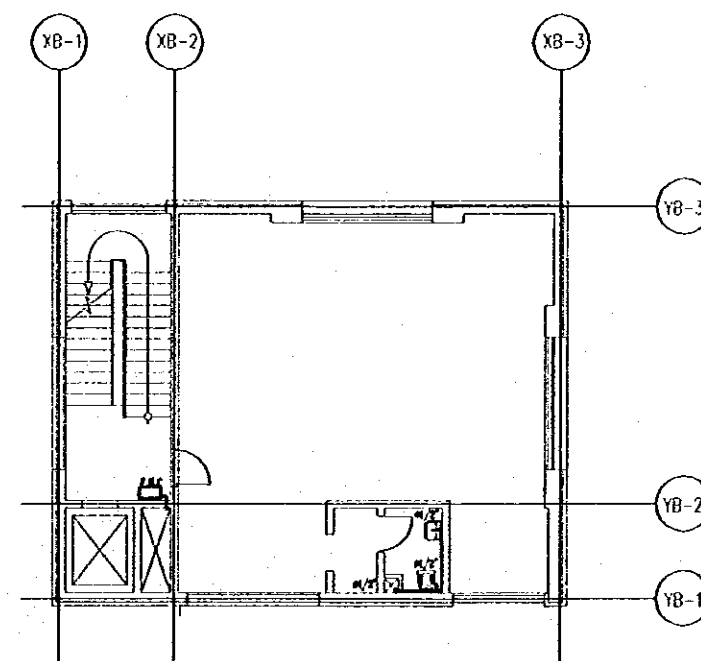
SECOND FLOOR PLAN



FIRST FLOOR PLAN



FIFTH FLOOR PLAN



FOURTH FLOOR PLAN

Designed by:  
Japan International Cooperation Agency (JICA)

JICA Study Team:  
Joint Venture of  
Pacific Consultants International and  
Yamashita Seki & Inc.

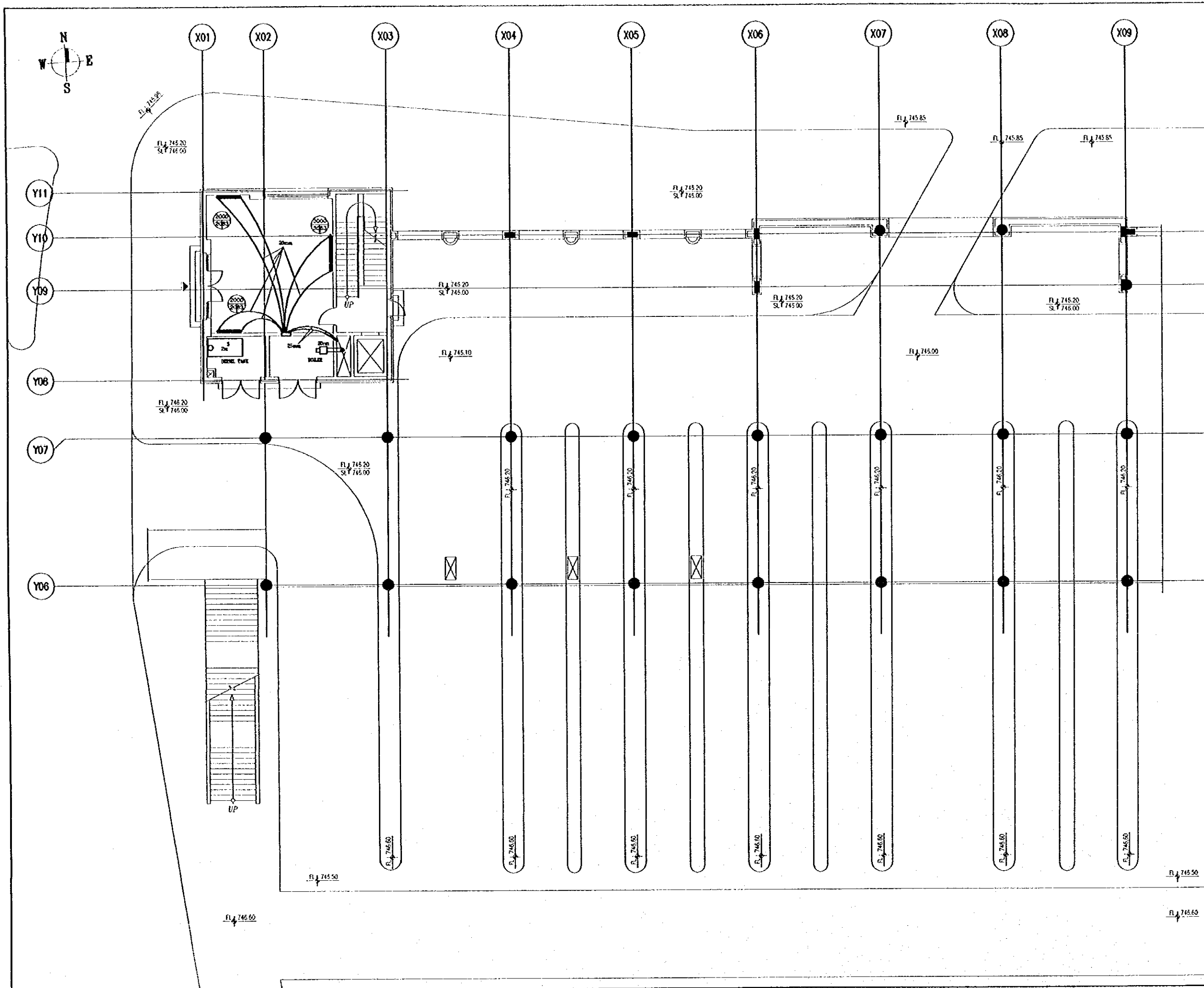
Subcontracted Local Consultant:

YMAH Consultants  
Architects Engineers  
[Logo]

Raghadan Bus Terminal

Drawing Title:  
COLD WATER & FIRE FIGHTING  
SYSTEM FOR ZONE 8

Scale: 1/100 Drawing No.: RBT M-524

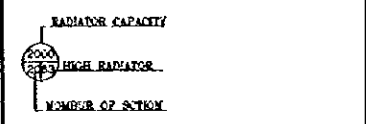


Tourism Sector Development Project  
in the Hashemite Kingdom of Jordan

The Government of  
the Hashemite Kingdom of Jordan  
The Ministry of Tourism and Antiquities  
The Ministry of Planning

Sub-Project:  
Amman Downtown  
Tourist Zone Development

Note:  
• This detailed design has been executed by a team of consultants as shown below in accordance with the agreement between Japan International Cooperation Agency (JICA) and JICA Study Team.  
• The copyright of this drawing rests with JICA.



Designed by:  
Japan International Cooperation Agency (JICA)  
JICA Study Team:  
Joint Venture of  
Pacific Consultants International and  
Yamato Seki & Co. Inc.

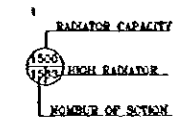
Subcontracted Local Consultant:  
YEAH Consultants  
Architects, Engineers

Raghadan Bus Terminal

Drawing Title:  
**HEATING SYSTEM  
FOR FIRST FLOOR ZONE 1**

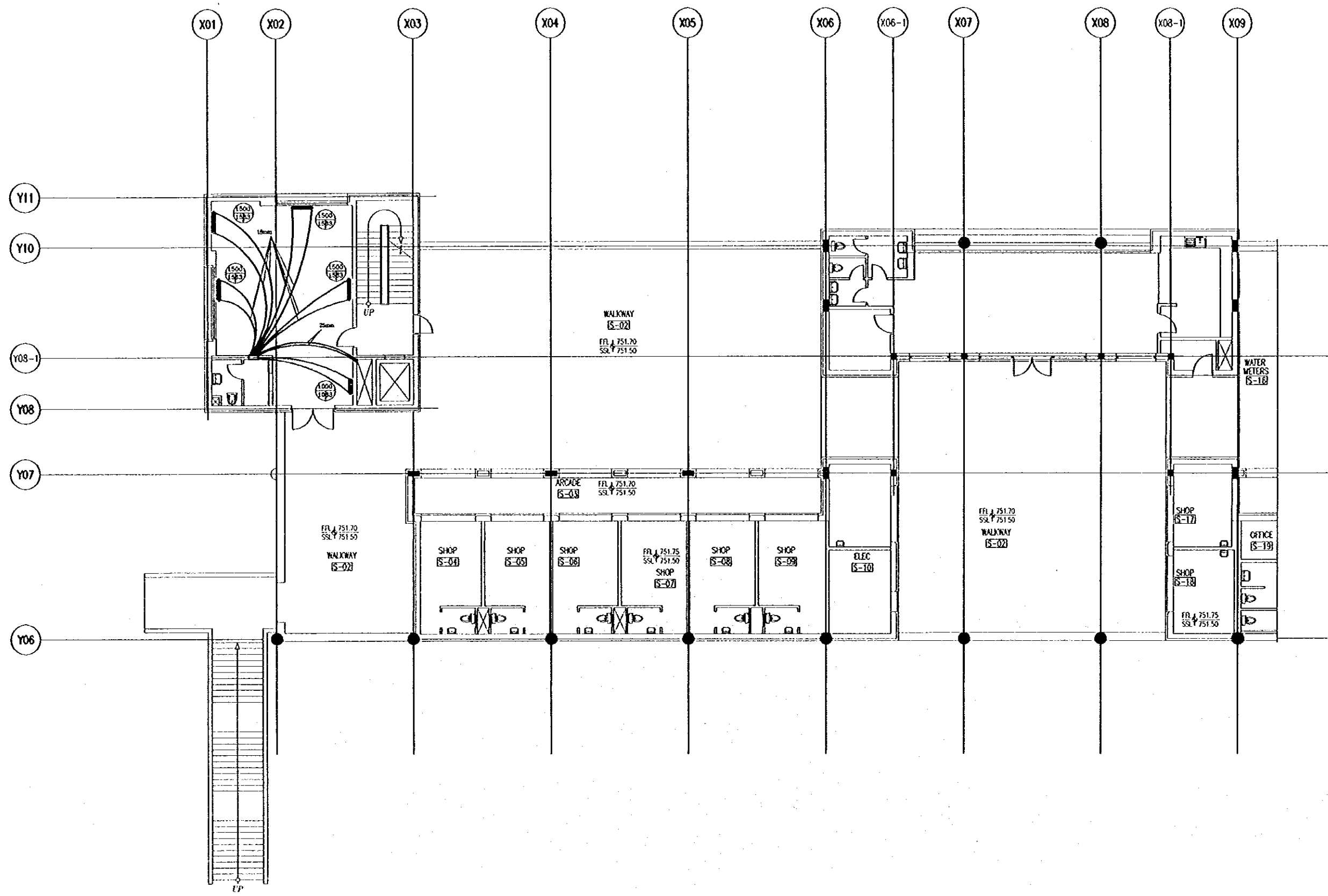
Scale: 1/100      Drawing No.: RBT.M601

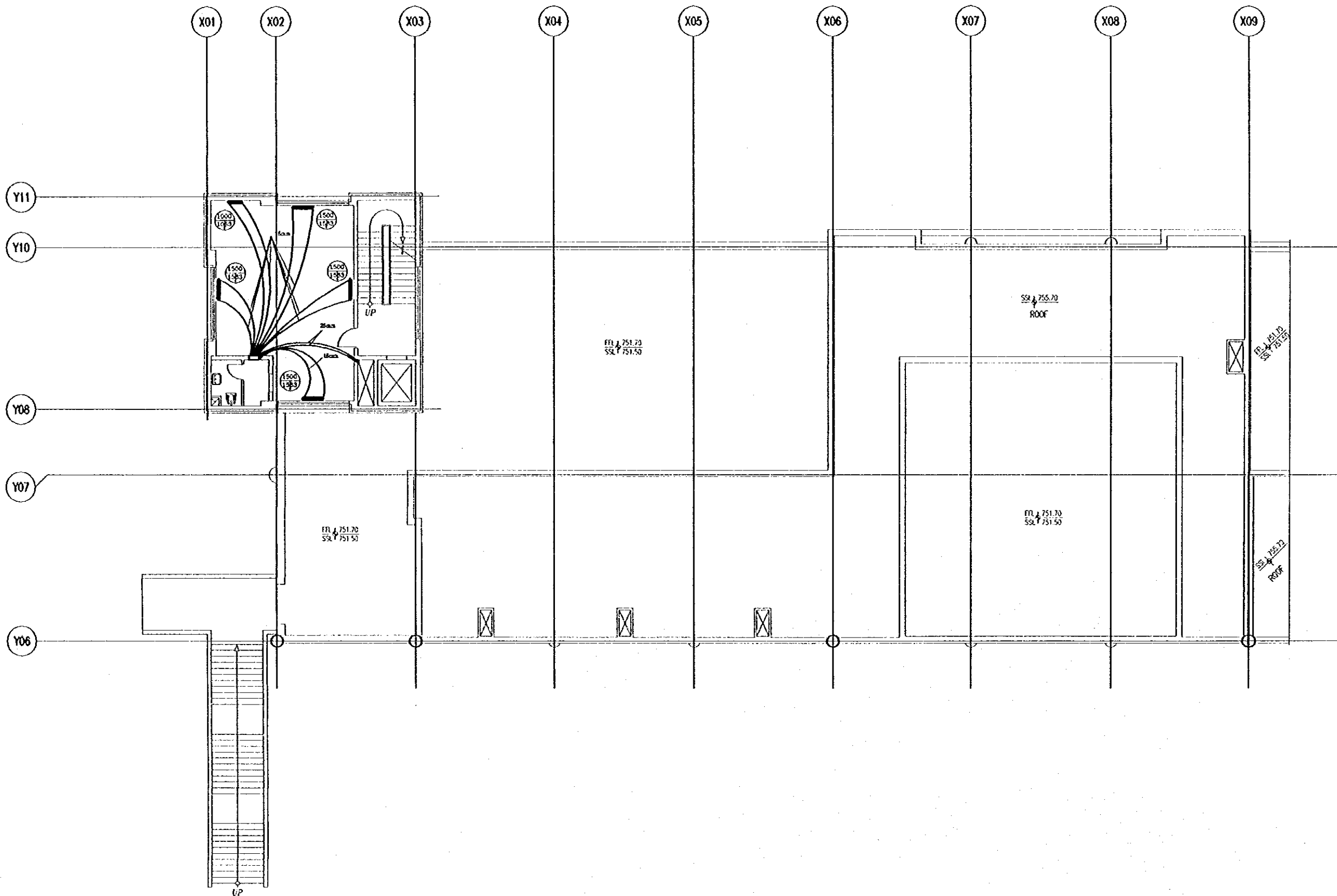
No's:  
 • This detailed design has been executed by a team of consultants as shown below in accordance with the agreement between Japan International Cooperation Agency (JICA) and JICA Study Team.  
 • The copyright of this drawing rests with JICA.



Designed by:  
 Japan International Cooperation Agency (JICA)  
 JICA Study Team:  
 Joint Venture of  
 Pacific Consultants International and  
 Yamashita Sekkei Inc.  
 Subcontracted Local Consultant:  
 IBAM Consultants  
 Architects, Engineers

Raghadan Bus Terminal  
 Drawing Title:  
**HEATING SYSTEM  
 FOR SECOND FLOOR ZONE 1**  
 Scale: 1/100 Drawing No.: RBT, M602





Tourism Sector Development Project  
in the Hashemite Kingdom of Jordan

The Government of  
the Hashemite Kingdom of Jordan  
The Ministry of Tourism and Antiquities  
The Ministry of Planning

Sub-Project:  
Amman Downtown  
Tourist Zone Development

Note:  
• This detailed design has been executed by a team of consultants as shown below in accordance with the agreement between Japan International Cooperation Agency (JICA) and JICA Study Team.  
• The copyright of this drawing rests with JICA.

RADIATOR CAPACITY  
1500  
1200  
RADIATOR  
NUMBER OF SECTION

Designed by:  
Japan International Cooperation Agency (JICA)

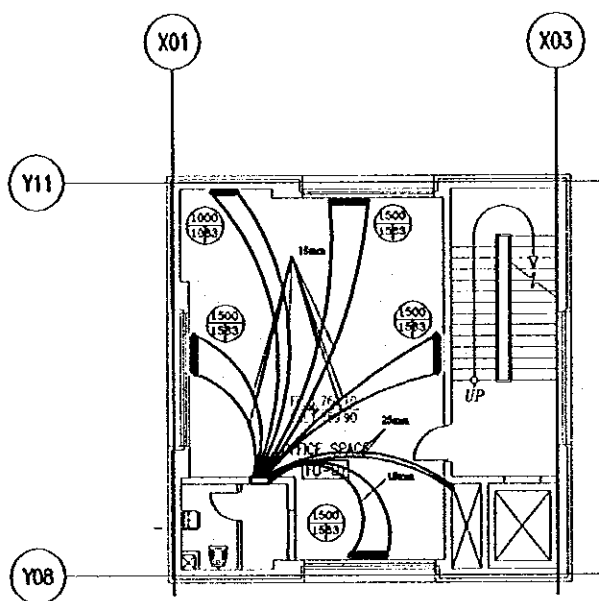
JICA Study Team:  
Joint Venture of  
Pacific Consultants International and  
Yamato Sekkei Inc.

Subcontracted Local Consultant:  
TBAH Consultants  
Architects, Engineers

Raghadan Bus Terminal

Drawing Title:  
**HEATING SYSTEM  
FOR THIRD FLOOR ZONE 1**

Scale: 1/100  
Drawing No.: RBT .M603

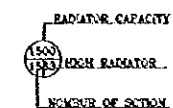



Tourism Sector Development Project  
in the Hashemite Kingdom of Jordan

The Government of  
the Hashemite Kingdom of Jordan  
The Ministry of Tourism and Antiquities  
The Ministry of Planning

Sub-Project:  
Amman Downtown  
Tourist Zone Development

Note:  
• This detailed design has been executed by a team of  
consultants as shown below in accordance with the agreement  
between Japan International Cooperation Agency (JICA) and  
JICA Study Team.  
• The copyright of this drawing rests with JICA.



Designed by:  
Japan International Cooperation Agency  
(JICA)  
JICA Study Team:  
Joint Venture of  
Pacific Consultants International and  
Yamato Sekkei Inc.  
Subcontracted Local Consultant:  
TIBAH Consultants  
Architects, Engineers  


Raghadan Bus Terminal

Drawing Title:  
**HEATING SYSTEM  
FOR MANAGEMENT TOWER**

Scale: 1/100 Drawing No.: RBT .M604

Tourism Sector Development Project  
In the Hashemite Kingdom of Jordan

The Government of  
the Hashemite Kingdom of Jordan  
The Ministry of Tourism and Antiquities  
The Ministry of Planning

Sub-Project:  
Amman Downtown  
Tourist Zone Development

Note:  
• This detailed design has been executed by a team of  
consultants as shown below in accordance with the agreement  
between Japan International Cooperation Agency (JICA) and  
JICA Study Team.

• The copyright of this drawing rests with JICA.

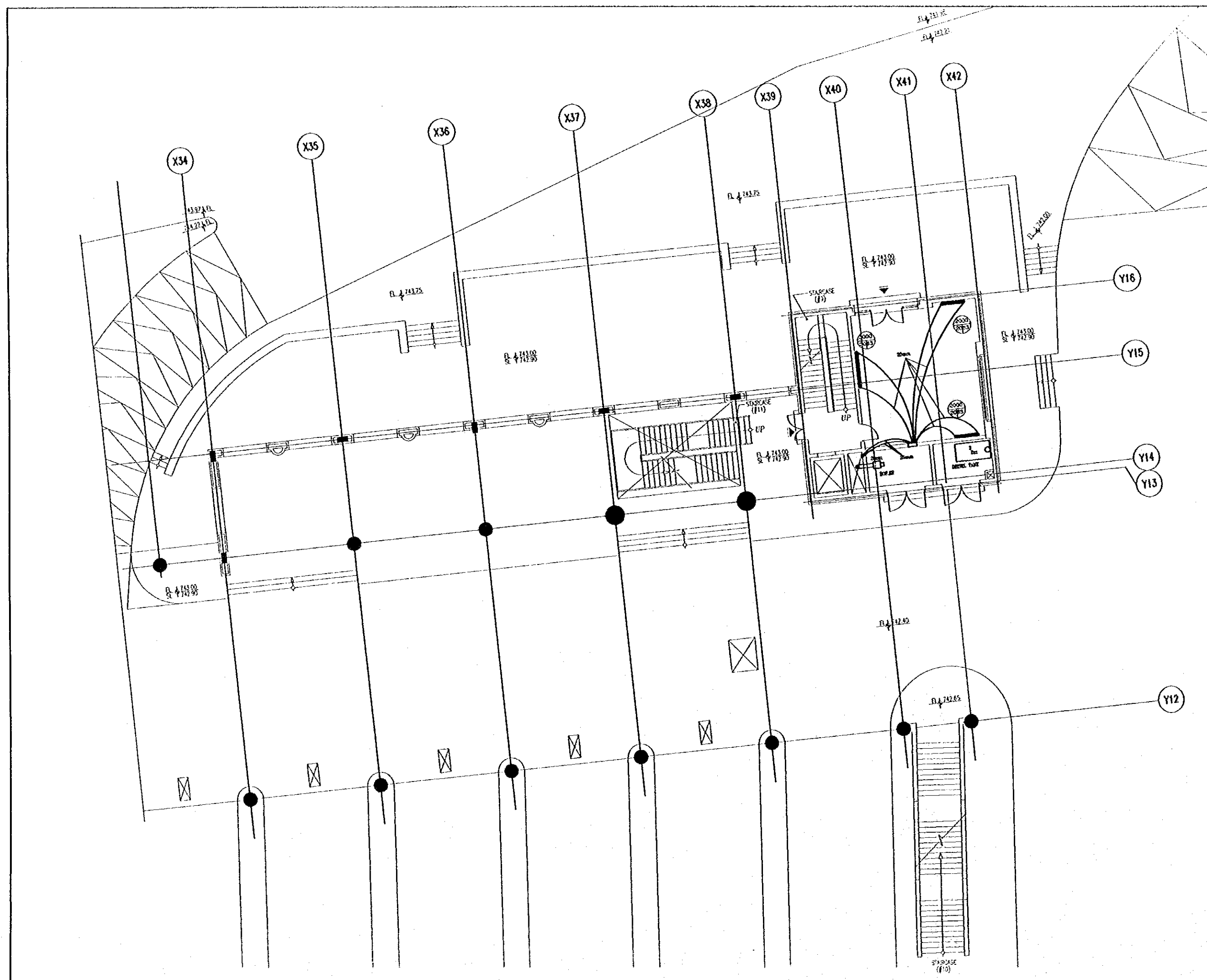


Designed by:  
Japan International Cooperation Agency  
(JICA)  
JICA Study Team:  
Joint Venture of  
Pacific Consultants International and  
Yamamoto Sekkei Inc.  
Subcontracted Local Consultant:  
TBAH Consultants  
Architects, Engineers

Raghadan Bus Terminal

Drawing Title:  
**HEATING SYSTEM  
FOR GROUND FLOOR ZONE 5**

Scale: 1/100 Drawing No: RBT .M605



Tourism Sector Development Project  
in the Hashemite Kingdom of Jordan

The Government of  
the Hashemite Kingdom of Jordan  
The Ministry of Tourism and Antiquities  
The Ministry of Planning

Sub-Project:  
Amman Downtown  
Tourist Zone Development

Note:  
• This detailed design has been executed by a team of  
consultants as shown below in accordance with the agreement  
between Japan International Cooperation Agency (JICA) and  
JICA Study Team.  
• The copyright of this drawing rests with JICA.

RADIATOR CAPACITY  
1500  
HIGH RADIATOR  
NUMBER OF SECTION

Designed by:

Japan International Cooperation Agency  
(JICA)

JICA Study Team:

Joint Venture of  
Pacific Consultants International and  
Yamashita Setkai Inc.

Subcontracted Local Consultant:

TIBAH Consultants  
Architects, Engineers



Raghadan Bus Terminal

Drawing Title:

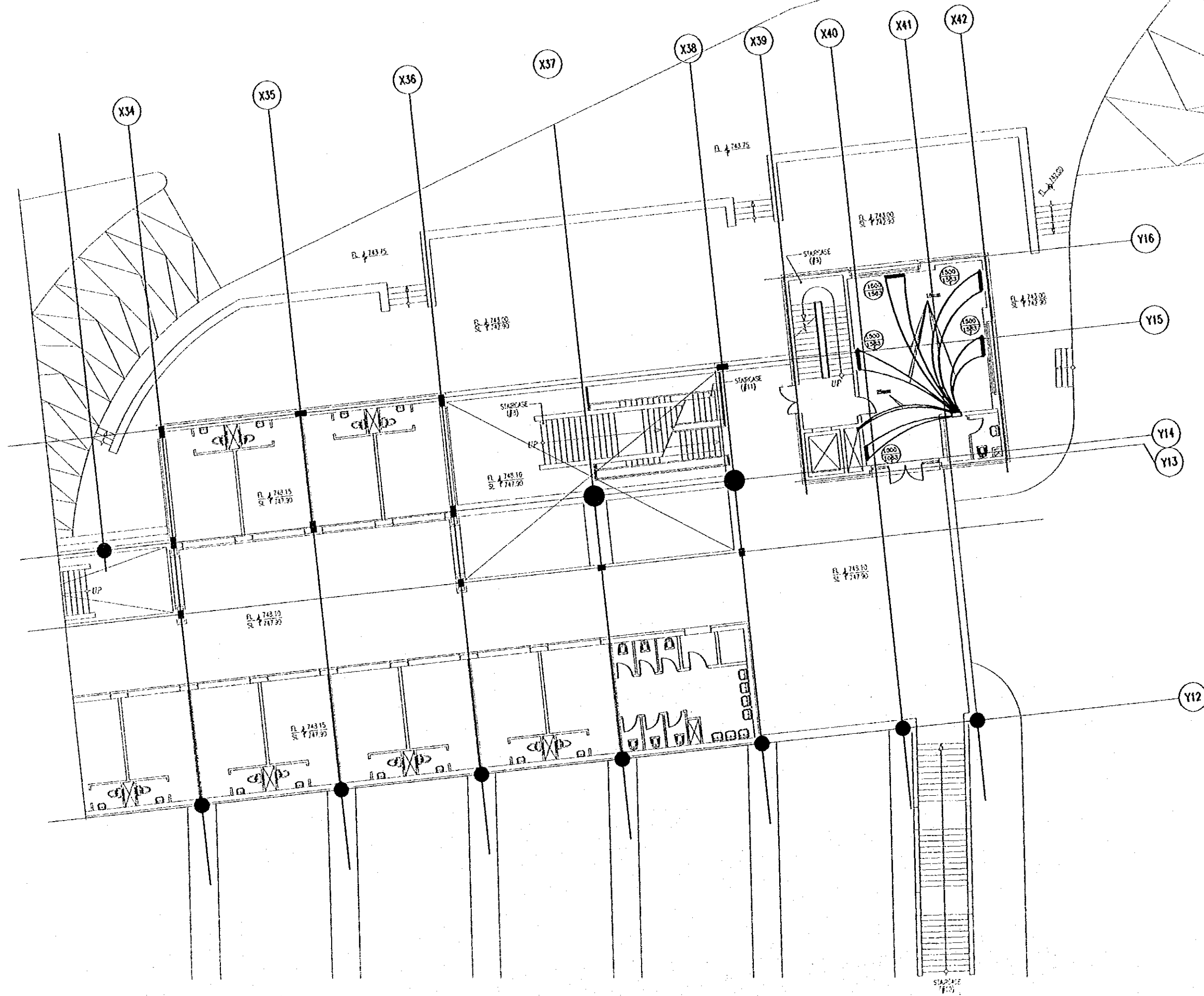
HEATING SYSTEM  
FOR FIRST FLOOR ZONE 5

Scale:

1/100

Drawing No.:

RBT .M606

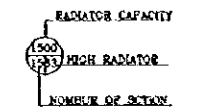


Tourism Sector Development Project  
in the Hashemite Kingdom of Jordan

The Government of  
the Hashemite Kingdom of Jordan  
The Ministry of Tourism and Antiquities  
The Ministry of Planning

Sub-Project:  
Amman Downtown  
Tourist Zone Development

Note:  
• This detailed design has been executed by a team of  
consultants as shown below in accordance with the agreement  
between Japan International Cooperation Agency (JICA) and  
JICA Study Team.  
• The copyright of this drawing rests with JICA.



Designed by:

Japan International Cooperation Agency  
(JICA)

JICA Study Team:

Joint Venture of  
Pacific Consultants International and  
Yamasa Seidrei Inc.

Subcontracted Local Consultant:

TIMAH Consultants  
Architects, Engineers



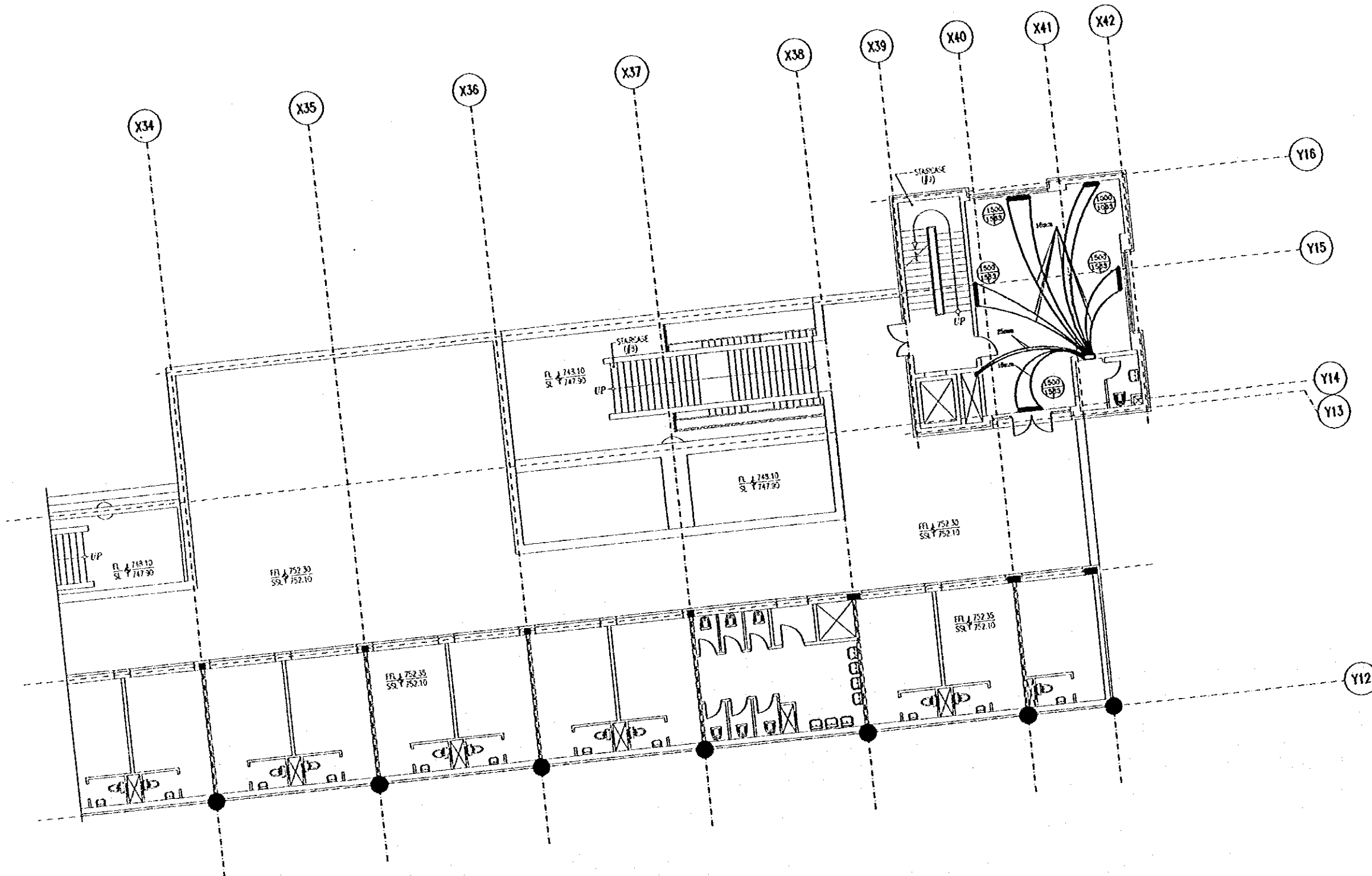
Raghadan Bus Terminal

Drawing Title:

HEATING SYSTEM  
FOR SECOND FLOOR ZONE 5

Scale:  
1/100

Drawing No.:  
RBT .M607



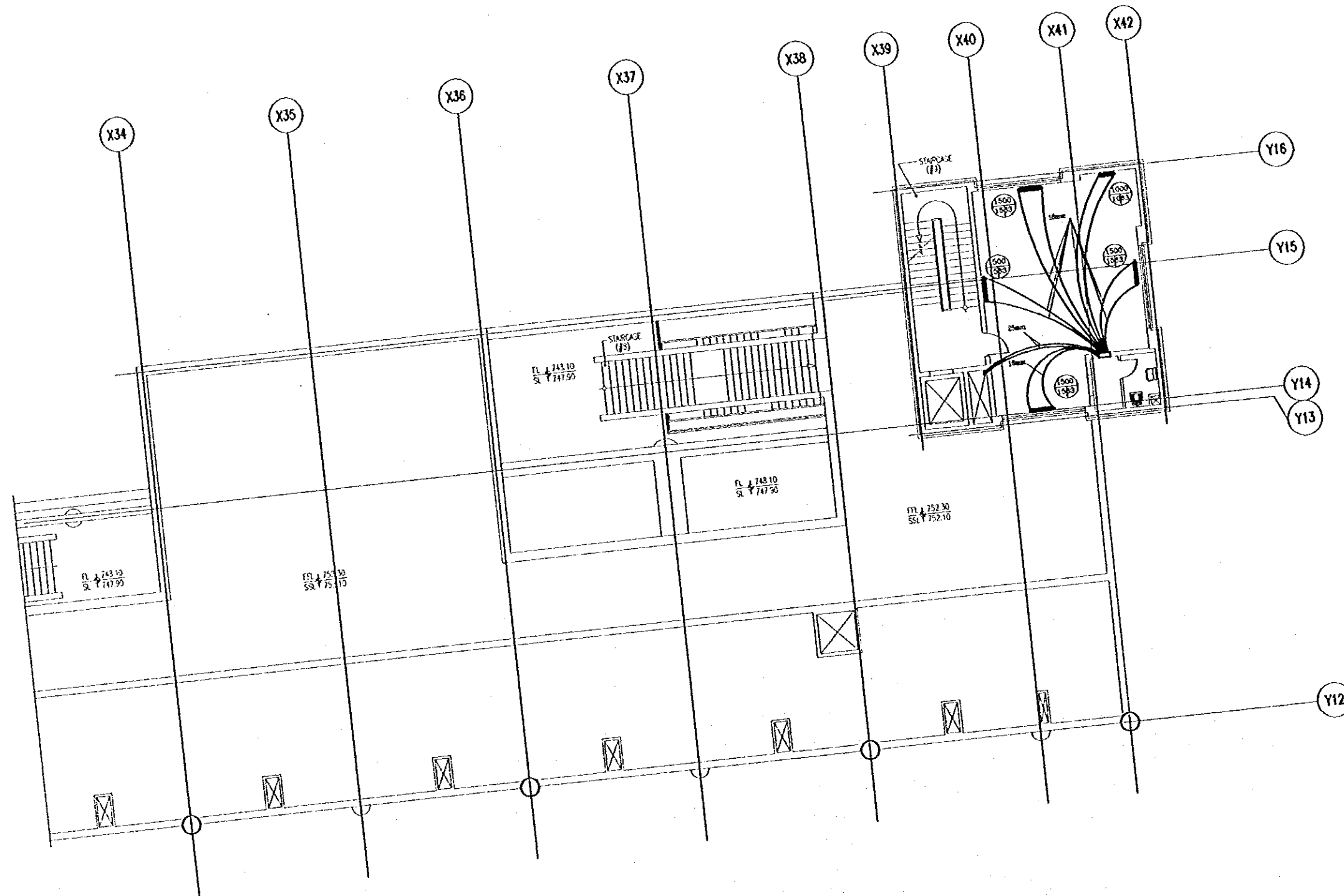


Tourism Sector Development Project  
in the Hashemite Kingdom of Jordan

The Government of  
the Hashemite Kingdom of Jordan  
The Ministry of Tourism and Antiquities  
The Ministry of Planning

Sub-Project:  
Amman Downtown  
Tourist Zone Development

Note:  
• This detailed design has been executed by a team of  
consultants as shown below in accordance with the agreement  
between Japan International Cooperation Agency (JICA) and  
JICA Study Team.  
• The copyright of this drawing rests with JICA.

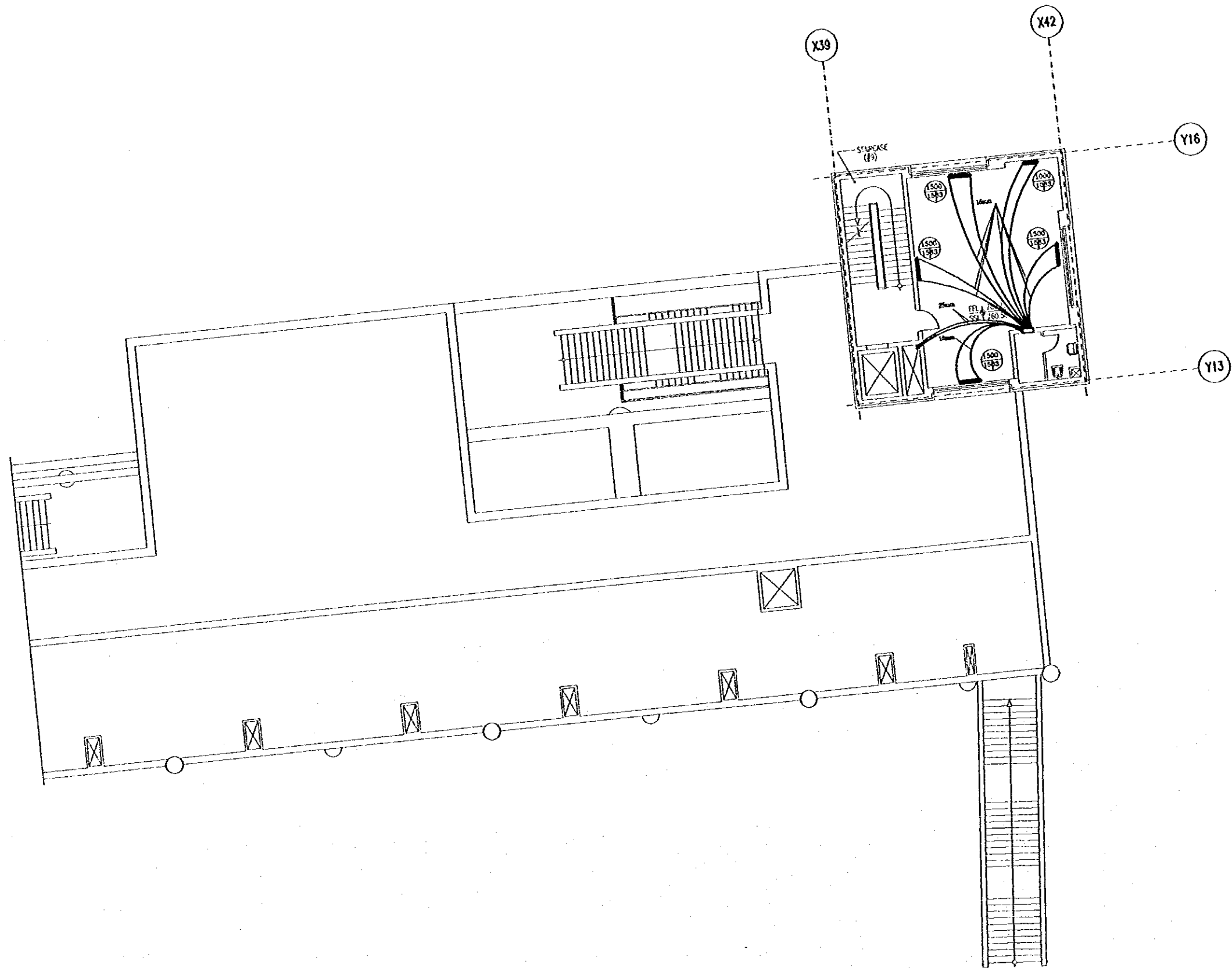


Designed by:  
Japan International Cooperation Agency  
(JICA)  
JICA Study Team:  
Joint Venture of  
Pacific Consultants International and  
Yamashita Sekkei Inc.  
Subcontracted Local Consultant:  
TIBAH Consultants  
Architect, Engineers  


Raghadan Bus Terminal

Drawing Title:  
**HEATING SYSTEM  
FOR THIRD FLOOR ZONE 5**

Scale: 1/100 Drawing No.: RBT .M608



Tourism Sector Development Project  
in the Hashemite Kingdom of Jordan

The Government of  
the Hashemite Kingdom of Jordan  
The Ministry of Tourism and Antiquities  
The Ministry of Planning

Sub-Project:  
Amman Downtown  
Tourist Zone Development

Note:  
• This detailed design has been executed by a team of  
consultants as shown below in accordance with the agreement  
between Japan International Cooperation Agency (JICA) and  
JICA Study Team.  
• The copyright of this drawing rests with JICA.

RADIATOR CAPACITY  
1500  
1000  
HIGH RADIATOR  
NUMBER OF SECTIONS

Designed by:  
Japan International Cooperation Agency  
(JICA)  
JICA Study Team:  
Joint Venture of  
Pacific Consultants International and  
Yamashita Sekkei Inc.  
Subcontracted Local Consultant:  
TBMH Consultants  
Architects, Engineers

Raghadan Bus Terminal

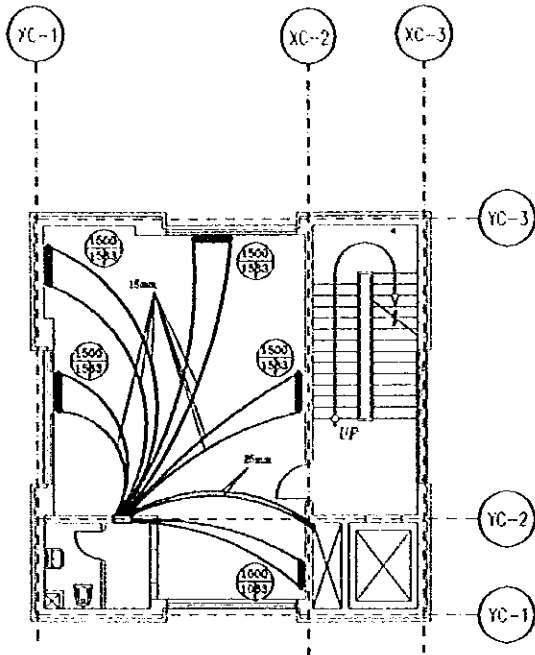
Drawing Title:  
HEATING SYSTEM  
FOR FOURTH FLOOR ZONE 5

Scale: 1/100 Drawing No.: RBT.M609

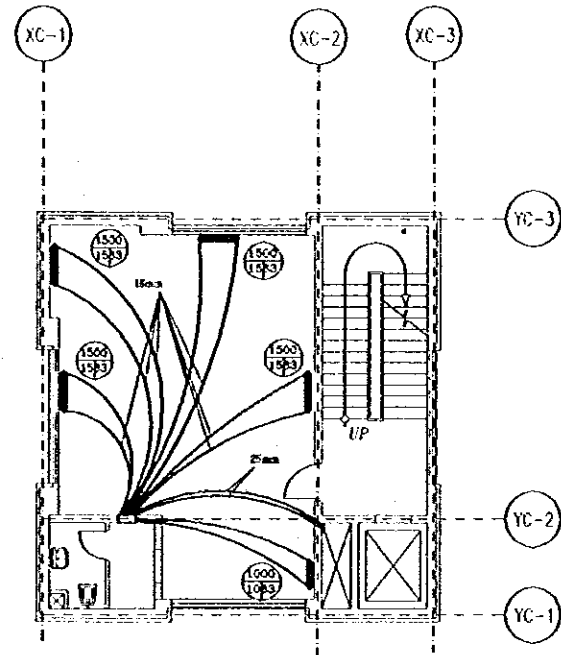
Sub Project:  
Amman Downtown  
Tourist Zone Development

Note:  
• This detailed design has been executed by a team of  
consultants as shown below in accordance with the agreement  
between Japan International Cooperation Agency (JICA) and  
JICA Study Team.  
• The copyright of this drawing rests with JICA.

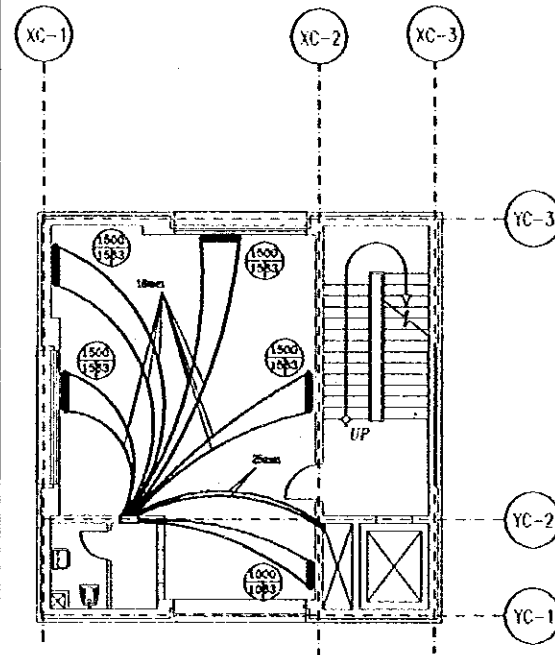
RADIATOR CAPACITY  
1500 (1300)  
HIGH RADIATOR  
NUMBER OF SECTION



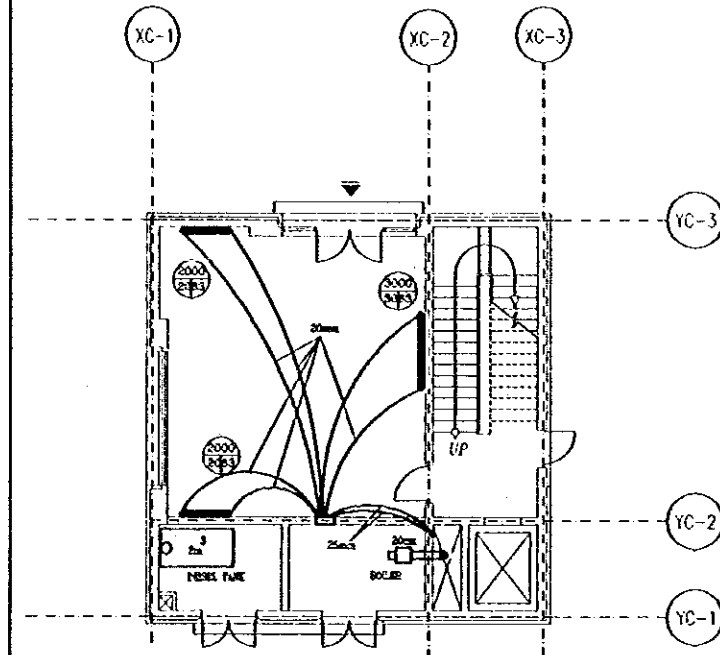
THIRD FLOOR PLAN



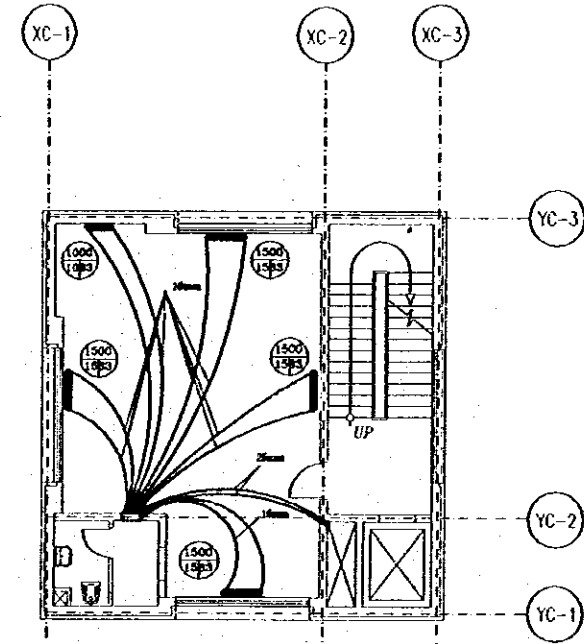
SECOND FLOOR PLAN



FIRST FLOOR PLAN



GROUND FLOOR PLAN



FOURTH FLOOR PLAN

Designed by:

Japan International Cooperation Agency  
(JICA)

JICA Study Team:

Joint Venture of  
Pacific Consultants International and  
Yamato Sekkei Inc.

Subcontracted Local Consultant:

TIBAH Consultants  
Architects, Engineers

المهندسين المعماريين والمهندسين الميكانيكيين  
TIBAH Consultants

Raghadan Bus Terminal

Drawing Title:

HEATING SYSTEM  
FOR ZONE 7

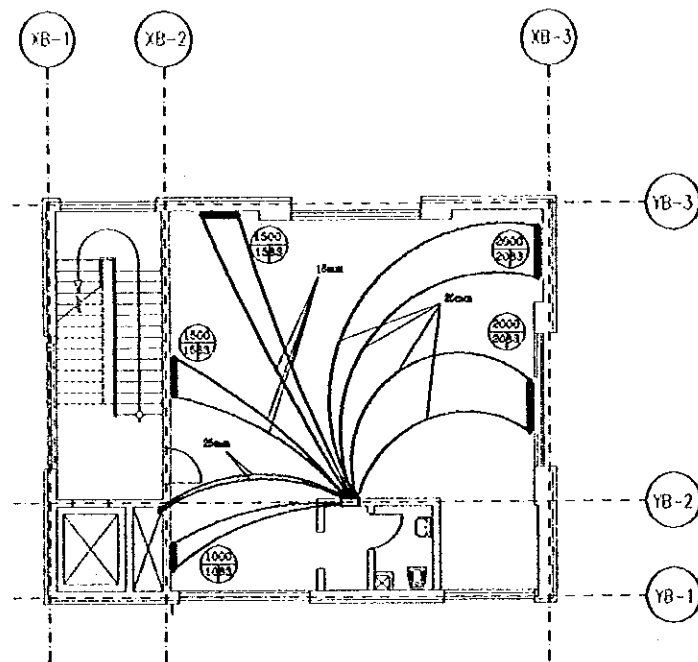
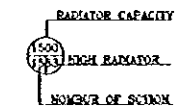
Scale:

1/100

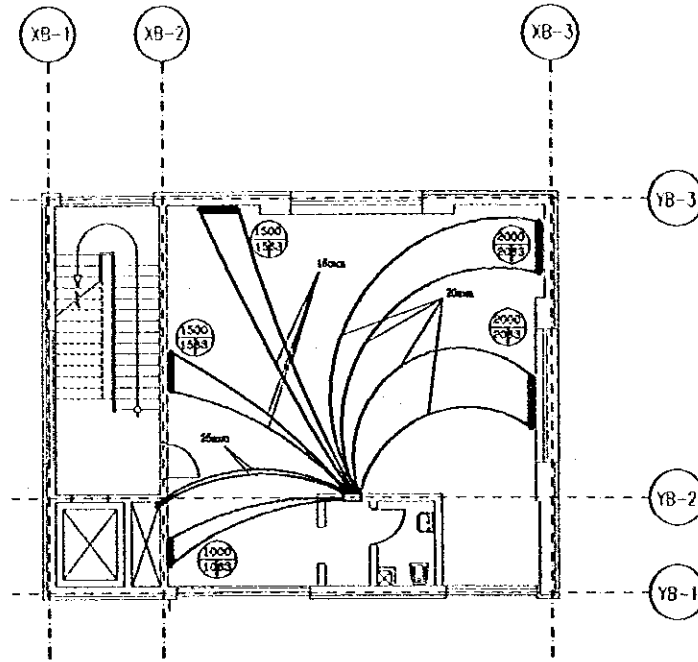
Drawing No.:

RBT DWG610

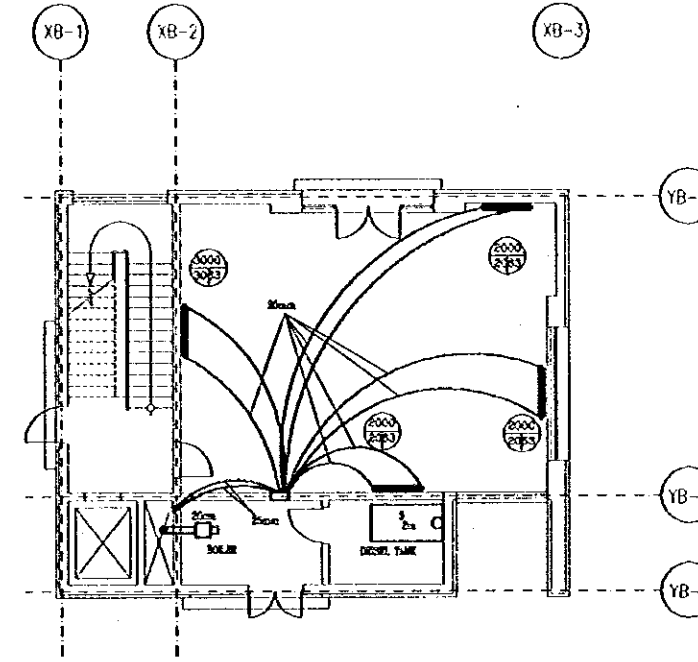
Note:  
• This detailed design has been executed by a team of  
consultants as shown below in accordance with the agreement  
between Japan International Cooperation Agency (JICA) and  
JICA Study Team.  
• The copyright of this drawing rests with JICA.



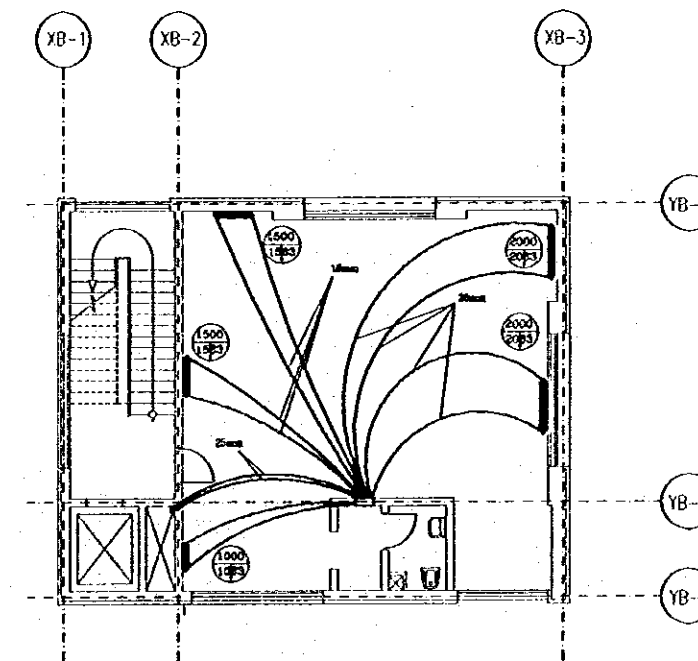
THIRD FLOOR PLAN



SECOND FLOOR PLAN



FIRST FLOOR PLAN



FOURTH FLOOR PLAN

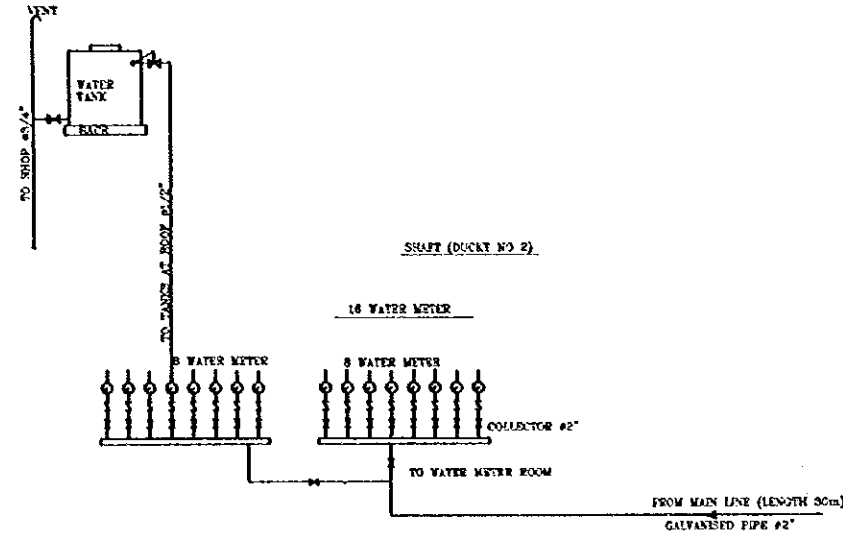
Designed by:  
Japan International Cooperation Agency  
(JICA)  
JICA Study Team:  
Joint Venture of  
Pacific Consultants International and  
Yamato Seki & Co. Inc.  
Subcontracted Local Consultant:  
BBAH Consultants  
Architects, Engineers

Raghadan Bus Terminal

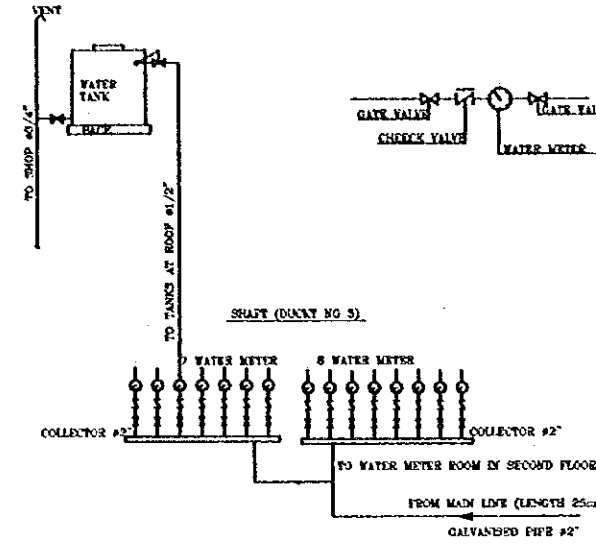
Drawing Title:  
HEATING SYSTEM  
FOR ZONE 8

Scale: 1/100 Drawing No.: RBT. M611

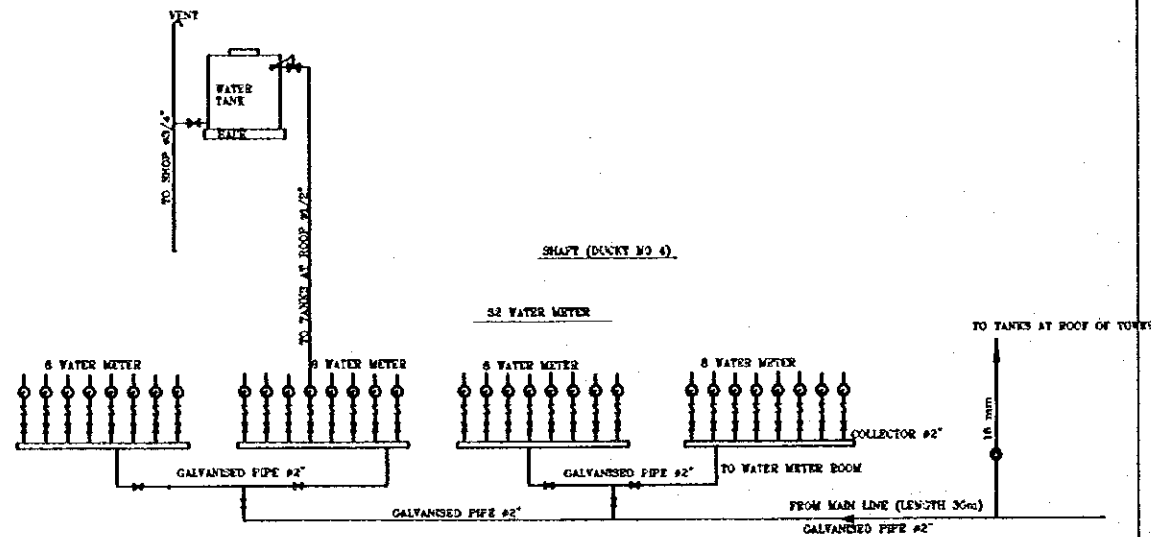
Note:  
- This detailed design has been executed by a team of  
consultants as shown below in accordance with the agreement  
between Japan International Cooperation Agency (JICA) and  
JICA Study Team.  
- The copyright of this drawing rests with JICA.



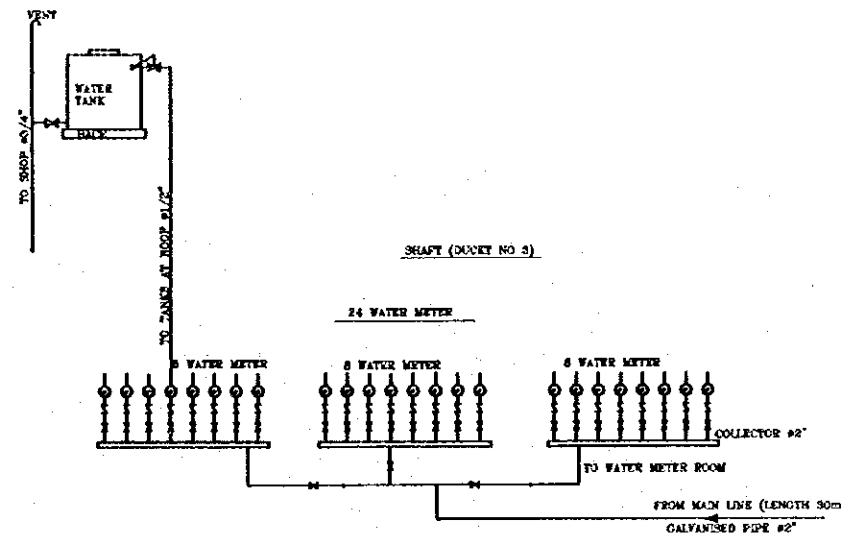
WATER METER ROOM



WATER METER ROOM  
FOR ZONE 1 & ZONE 2



WATER METER ROOM



WATER METER ROOM

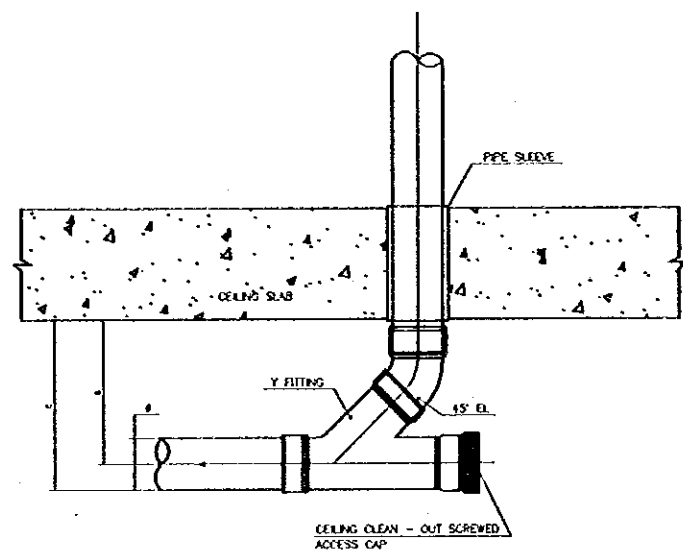
Designed by:  
Japan International Cooperation Agency  
(JICA)  
JICA Study Team:  
Joint Venture of  
Pacific Consultants International and  
Yamashita Seidai Inc.  
Subcontracted Local Consultant:  
TMAH Consultants  
Architects, Engineers

Raghadan Bus Terminal

Drawing Title:  
MECHANICAL DETAILS  
COLD WATER SYSTEM

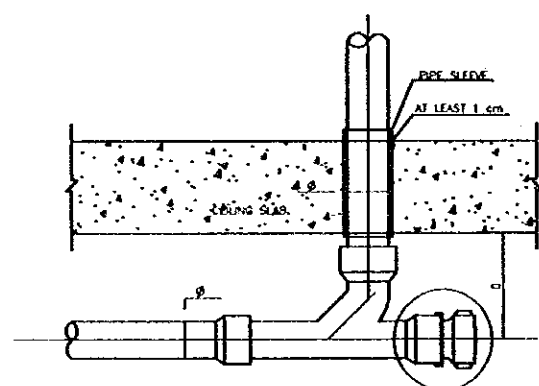
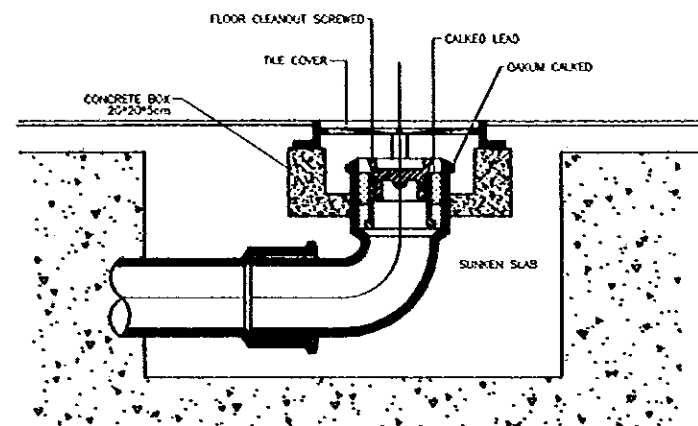
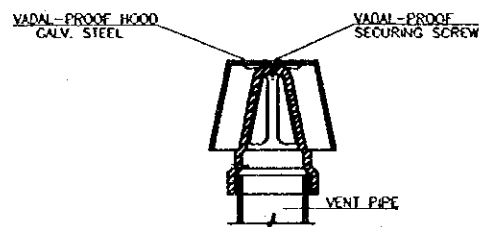
Scale: 1/100 Drawing No.: RBT . M701

No'te:  
• The detailed design has been executed by a team of consultants as shown below in accordance with the agreement between Japan International Cooperation Agency (JICA) and JICA Study Team.  
• The copyright of the drawing rests with JICA.



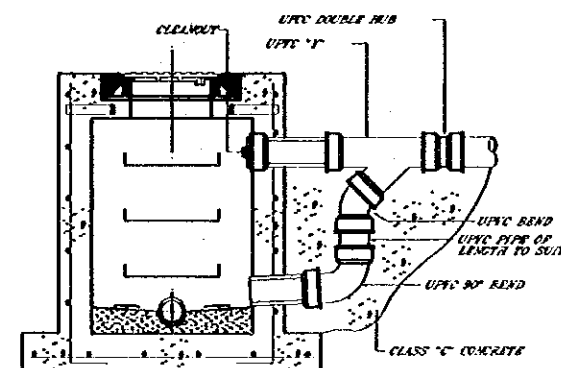
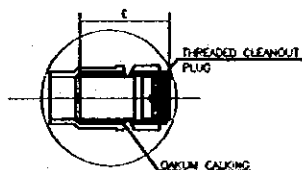
UPVC CEILING CLEAN-OUT DETAIL

	3" (150mm)	4" (150mm)	6" (150mm)
a	255mm	310mm	440mm
b	220mm	250mm	360mm



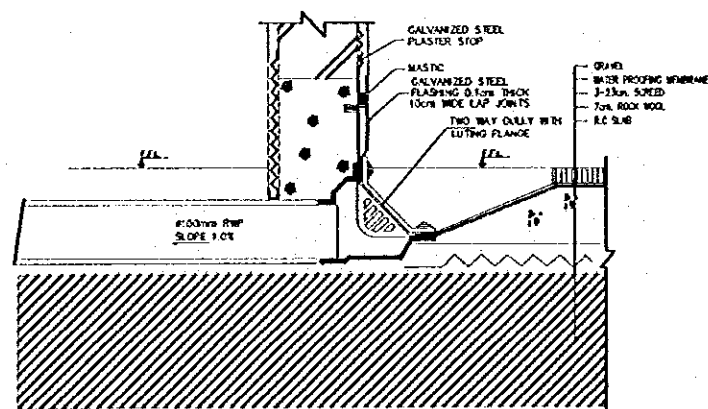
CEILING CLEANOUT DETAIL

	3"	4"	5"
Ø	28.6 cm	30.8 cm	39.7 cm
C	12 cm	12.7 cm	12.7 cm

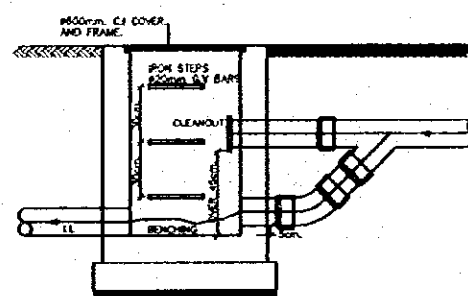


NOTE:  
ALL OTHER DETAILS SAME AS REGULAR MANHOLE

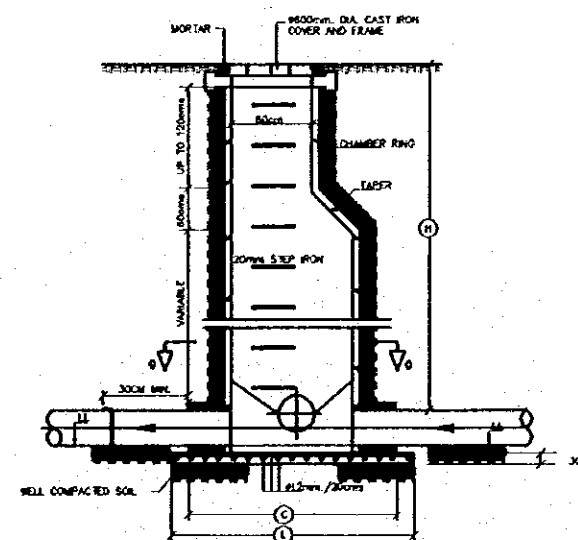
DROP MANHOLE



2 - WAY RAIN WATER OUTLET (RWO)



DROP MANHOLE DETAIL



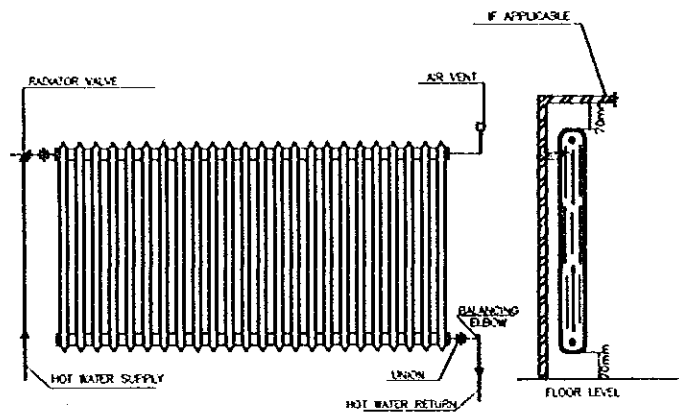
SEWAGE MANHOLE DETAIL

Designed by:  
Japan International Cooperation Agency (JICA)  
JICA Study Team:  
Joint Venture of Pacific Consultants International and Yamato Sekai Inc.  
Subcontracted Local Consultant:  
TBAH Consultants  
Architect, Engineers

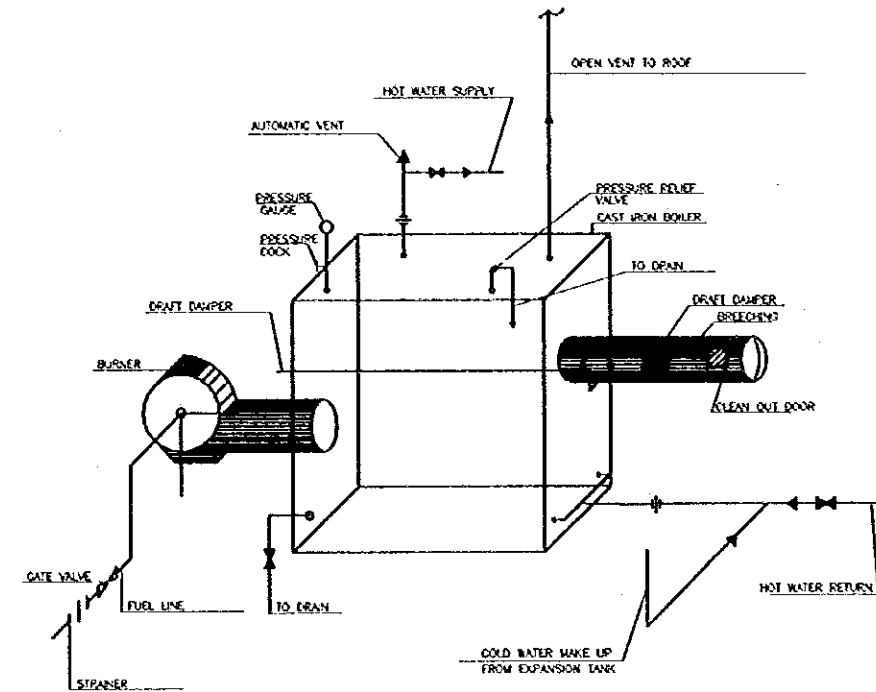
Raghadan Bus Terminal

Drawing Title:  
MECHANICAL DETAILS

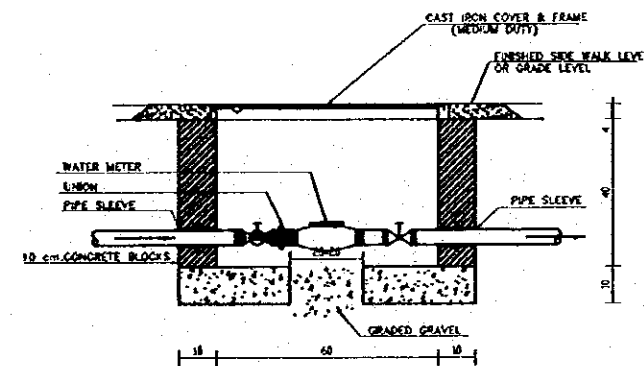
Scale:  
1/100  
Drawing No.:  
RBT .M702



CAST IRON RADIATOR CONNECTIONS



CAST IRON BOILER CONNECTION  
HOT WATER TYPE



WATER METER MANHOLE  
DETAIL  
SCALE 1:10

Tourism Sector Development Project  
in the Hashemite Kingdom of Jordan

The Government of  
the Hashemite Kingdom of Jordan  
The Ministry of Tourism and Antiquities  
The Ministry of Planning

Sub-Project:  
Amman Downtown  
Tourist Zone Development

Note:  
- This detailed design has been executed by a team of  
consultants as shown below in accordance with the agreement  
between Japan International Cooperation Agency (JICA) and  
JICA Study Team.  
- The copyright of this drawing rests with JICA.

Designed by:

Japan International Cooperation Agency  
(JICA)

JICA Study Team:

Joint Venture of  
Pacific Consultants International and  
Yamashita Seidai Inc.

Subcontracted Local Consultant:

TIMAH Consultants  
Architects, Engineers

محمد عبدالمجيد  
[Signature]

Raghadan Bus Terminal

Drawing Title:

MECHANICAL DETAILS

Scale:  
VAR.

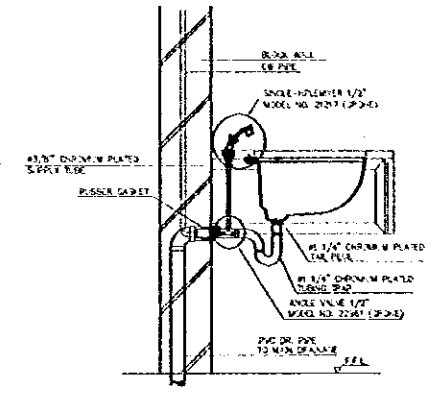
Drawing No.:  
RBT ,M703

Tourism Sector Development Project  
in the Hashemite Kingdom of Jordan

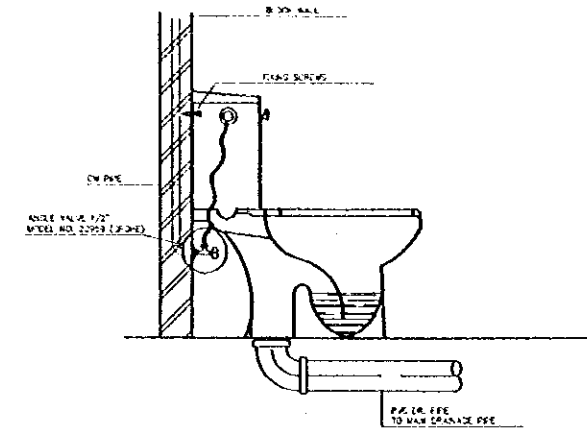
The Government of  
the Hashemite Kingdom of Jordan  
The Ministry of Tourism and Antiquities  
The Ministry of Planning

Sub-Project:  
Amman Downtown  
Tourist Zone Development

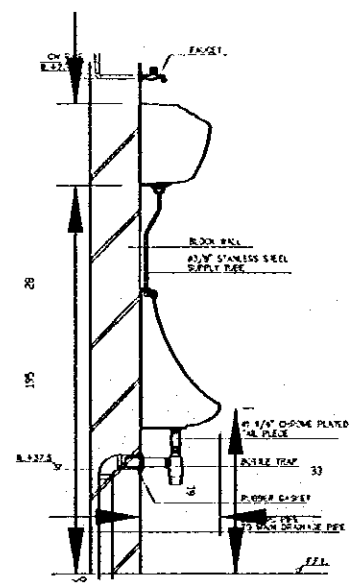
Note:  
• The detailed design has been executed by a team of  
consultants as shown below in accordance with the agreement  
between Japan International Cooperation Agency (JICA) and  
JICA Study Team.  
• The copyright of this drawing rests with JICA.



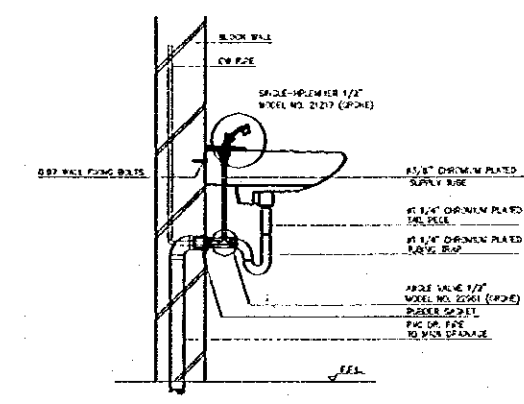
SIDE ELEVATION  
W/OUT CLOSE COUPLED W/DRUM  
W/OUT FLOOR DRAINAGE  
LAVATORY DETAIL



SIDE ELEVATION  
W/OUT CLOSE COUPLED W/DRUM  
W/OUT FLOOR DRAINAGE  
W.C. DETAIL



SIDE ELEVATION  
W/OUT CLOSE COUPLED W/DRUM  
W/OUT FLOOR DRAINAGE  
URINAL DETAIL



SIDE ELEVATION  
W/OUT CLOSE COUPLED W/DRUM  
W/OUT FLOOR DRAINAGE  
LAVATORY DETAIL

Designed by:  
Japan International Cooperation Agency  
(JICA)

JICA Study Team:  
Joint Venture of  
Pacific Consultants International and  
Yamato Sekai Inc.

Subcontracted Local Consultant:  
**TBAH** Consultants  
Architects, Engineers

Raghadan Bus Terminal

Drawing Title:  
MECHANICAL DETAILS

Scale: N.T.S. Drawing No: RBT M704

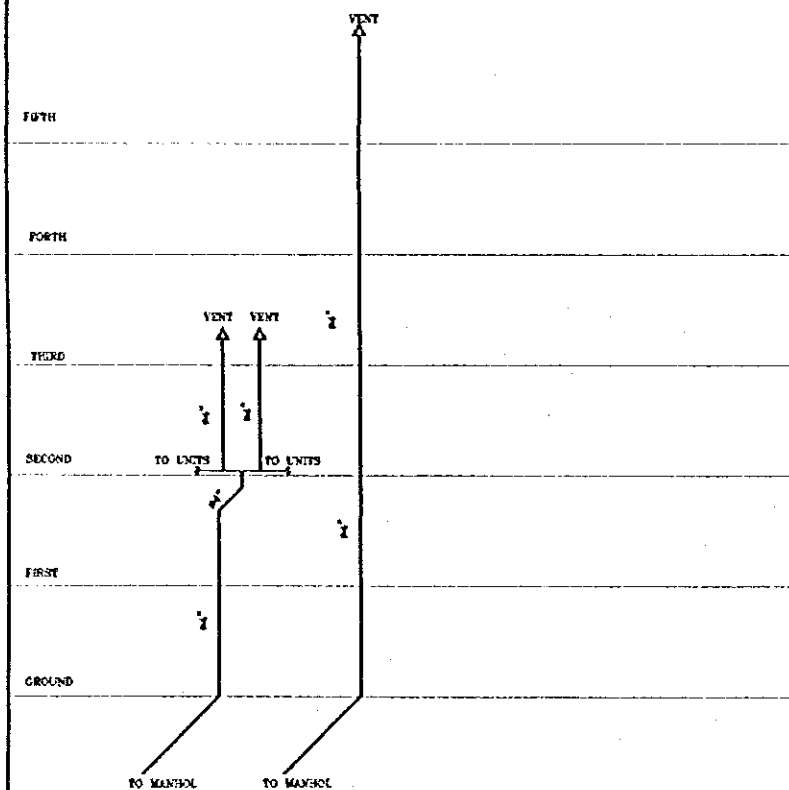
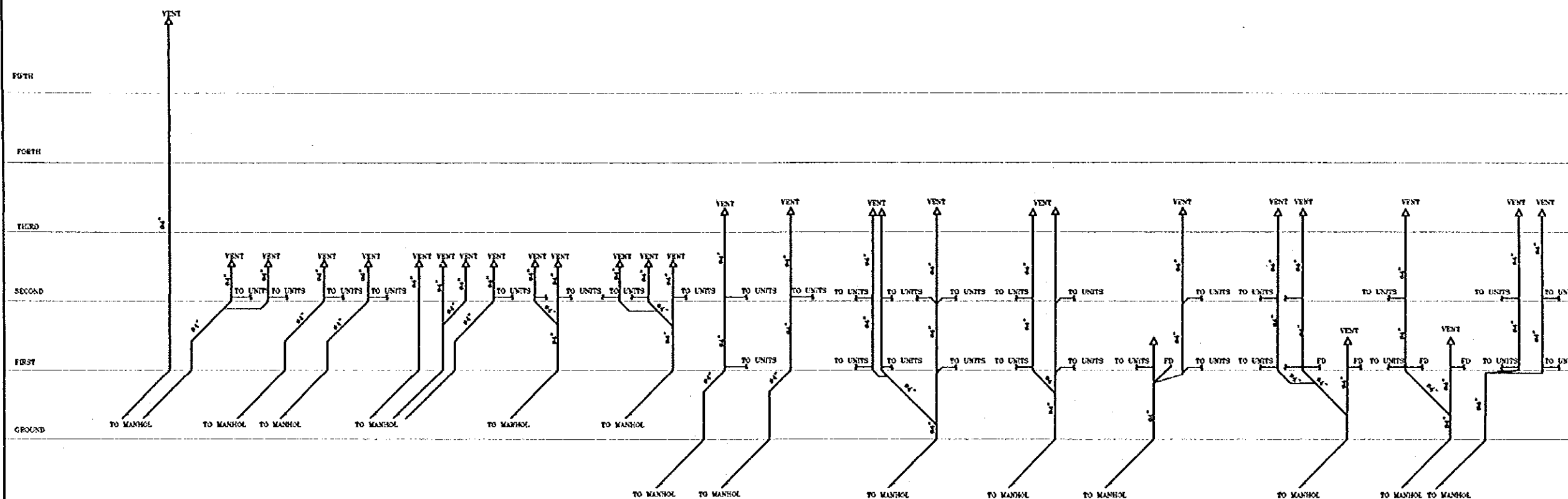


Tourism Sector Development Project  
in the Hashemite Kingdom of Jordan

The Government of  
the Hashemite Kingdom of Jordan  
The Ministry of Tourism and Antiquities  
The Ministry of Planning

Sub-Project:  
Ammon Downtown  
Tourist Zone Development

Note:  
• The detailed design has been executed by a team of  
consultants as shown below in accordance with the agreement  
between Japan International Cooperation Agency (JICA) and  
JICA Study Team.  
• The copyright of this drawing rests with JICA.



Designed by:  
Japan International Cooperation Agency  
(JICA)  
JICA Study Team:  
Joint Venture of  
Pacific Consultants International and  
Yamasita Sekitel Inc.  
Subcontracted Local Consultant:  
TMAH Consultants  
Architect, Engineers  


Raghadan Bus Terminal

Drawing Title:  
**MECHANICAL DETAIL  
DRAINAGE RISER**

Scale: **1/100** Drawing No: **RBT .M705**

011





JICA