

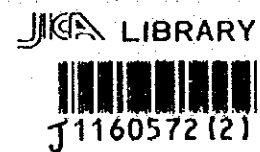
JAPAN INTERNATIONAL COOPERATION AGENCY

THE GOVERNMENT OF THE HASHEMITE KINGDOM OF JORDAN
THE MINISTRY OF TOURISM AND ANTIQUITIES, THE MINISTRY OF PLANNING

DRAFT
TENDER DOCUMENTS FOR CONSTRUCTION
OF
RAGHADAN BUS TERMINAL SUB-PROJECT
THE TOURISM SECTOR DEVELOPMENT PROJECT

VOLUME IV
DRAWINGS

(2) MECHANICAL AND ELECTRICAL WORKS



Pacific Consultants International
Yamashita Sekkei Inc.

August 2000

SSF

JR

00-153

JAPAN INTERNATIONAL COOPERATION AGENCY

THE GOVERNMENT OF THE HASHEMITE KINGDOM OF JORDAN
THE MINISTRY OF TOURISM AND ANTIQUITIES, THE MINISTRY OF PLANNING

DRAFT
TENDER DOCUMENTS FOR CONSTRUCTION
OF
RAGHADAN BUS TERMINAL SUB-PROJECT
THE TOURISM SECTOR DEVELOPMENT PROJECT

VOLUME IV
DRAWINGS
(2) MECHANICAL AND ELECTRICAL WORKS

Pacific Consultants International
Yamashita Sekkei Inc.

August 2000



1160572 (2)

MECHANICAL DRAWINGS

DRAWING No DRAWING No	DRAWING TITLE	SCALE
H-001	GENERAL NOTE & LEGEND	N/S
H-101	MECHANICAL SERVICES FOR SITE-1	1:250
H-102	MECHANICAL SERVICES FOR SITE-2	1:250
H-103	MECHANICAL SERVICES FOR SITE-3	1:250
H-301	RAINAGE LAYOUT SYSTEM FOR FIRST FLOOR ZONE 1	1:300
H-302	RAINAGE LAYOUT SYSTEM FOR SECOND FLOOR ZONE 1	1:300
H-303	RAINAGE LAYOUT SYSTEM FOR THIRD FLOOR ZONE 1	1:300
H-304	RAINAGE LAYOUT SYSTEM FOR MANAGEMENT TOWER ZONE 1	1:300
H-305	RAINAGE LAYOUT SYSTEM FOR FIRST FLOOR ZONE 2	1:300
H-306	RAINAGE LAYOUT SYSTEM FOR SECOND FLOOR ZONE 2	1:300
H-307	RAINAGE LAYOUT SYSTEM FOR ROOF FLOOR ZONE 2	1:300
H-308	RAINAGE LAYOUT SYSTEM FOR GROUND FLOOR ZONE 3	1:300
H-309	RAINAGE LAYOUT SYSTEM FOR FIRST FLOOR ZONE 3	1:300
H-310	RAINAGE LAYOUT SYSTEM FOR SECOND FLOOR ZONE 3	1:300
H-311	RAINAGE LAYOUT SYSTEM FOR ROOF FLOOR ZONE 3	1:300
H-312	RAINAGE LAYOUT SYSTEM FOR GROUND FLOOR ZONE 4	1:300
H-313	RAINAGE LAYOUT SYSTEM FOR FIRST FLOOR ZONE 4	1:300
H-314	RAINAGE LAYOUT SYSTEM FOR SECOND FLOOR ZONE 4	1:300
H-315	RAINAGE LAYOUT SYSTEM FOR ROOF FLOOR ZONE 4	1:300
H-316	RAINAGE LAYOUT SYSTEM FOR GROUND FLOOR ZONE 5	1:300
H-317	RAINAGE LAYOUT SYSTEM FOR FIRST FLOOR ZONE 5	1:300
H-318	RAINAGE LAYOUT SYSTEM FOR SECOND FLOOR ZONE 5	1:300
H-319	RAINAGE LAYOUT SYSTEM FOR THIRD FLOOR ZONE 5	1:300
H-320	RAINAGE LAYOUT SYSTEM FOR FOURTH FLOOR ZONE 5	1:300
H-321	RAINAGE LAYOUT SYSTEM FOR FIFTH FLOOR ZONE 5	1:300
H-322	RAINAGE LAYOUT SYSTEM FOR GROUND FLOOR ZONE 6	1:300
H-323	RAINAGE LAYOUT SYSTEM FOR FIRST FLOOR ZONE 6	1:300
H-324	RAINAGE LAYOUT SYSTEM FOR ZONE 7	1:300
H-325	RAINAGE LAYOUT SYSTEM FOR ZONE 8	1:300
H-326	RAINAGE LAYOUT SYSTEM FOR ZONE 9	1:300
H-401	COLD WATER SYSTEM FOR FIRST FLOOR ZONE 1	1:300
H-402	COLD WATER SYSTEM FOR SECOND FLOOR ZONE 1	1:300
H-403	COLD WATER SYSTEM FOR THIRD FLOOR ZONE 1	1:300
H-404	COLD WATER SYSTEM FOR MANAGEMENT TOWER ZONE 1	1:300
H-405	COLD WATER SYSTEM FOR FIRST FLOOR ZONE 2	1:300
H-406	COLD WATER SYSTEM FOR SECOND FLOOR ZONE 2	1:300
H-407	COLD WATER SYSTEM FOR THIRD FLOOR ZONE 2	1:300
H-408	COLD WATER SYSTEM FOR GROUND FLOOR ZONE 3	1:300
H-409	COLD WATER SYSTEM FOR FIRST FLOOR ZONE 3	1:300
H-410	COLD WATER SYSTEM FOR SECOND FLOOR ZONE 3	1:300
H-411	COLD WATER SYSTEM FOR THIRD FLOOR ZONE 3	1:300
H-412	COLD WATER SYSTEM FOR GROUND FLOOR ZONE 4	1:300
H-413	COLD WATER SYSTEM FOR FIRST FLOOR ZONE 4	1:300
H-414	COLD WATER SYSTEM FOR SECOND FLOOR ZONE 4	1:300
H-415	COLD WATER SYSTEM FOR THIRD FLOOR ZONE 4	1:300
H-416	COLD WATER SYSTEM FOR GROUND FLOOR ZONE 5	1:300
H-417	COLD WATER SYSTEM FOR FIRST FLOOR ZONE 5	1:300
H-418	COLD WATER SYSTEM FOR SECOND FLOOR ZONE 5	1:300
H-419	COLD WATER SYSTEM FOR THIRD FLOOR ZONE 5	1:300
H-420	COLD WATER SYSTEM FOR FOURTH FLOOR ZONE 5	1:300
H-421	COLD WATER SYSTEM FOR FIFTH FLOOR ZONE 5	1:300
H-422	COLD WATER SYSTEM FOR GROUND FLOOR ZONE 6	1:300
H-423	COLD WATER SYSTEM FOR FIRST FLOOR ZONE 6	1:300
H-424	COLD WATER SYSTEM FOR ZONE 7	1:300
H-425	COLD WATER SYSTEM FOR ZONE 8	1:300
H-426	COLD WATER SYSTEM FOR GROUND FLOOR ZONE 9	1:300
H-427	COLD WATER SYSTEM FOR ROOF FLOOR ZONE 9	1:300
H-501	RAIN WATER SYSTEM FOR FIRST FLOOR ZONE 1	1:300
H-502	RAIN WATER SYSTEM FOR SECOND FLOOR ZONE 1	1:300
H-503	RAIN WATER SYSTEM FOR THIRD FLOOR ZONE 1	1:300
H-504	RAIN WATER SYSTEM FOR MANAGEMENT TOWER	1:300
H-505	RAIN WATER SYSTEM FOR FIRST FLOOR ZONE 2	1:300
H-506	RAIN WATER SYSTEM FOR SECOND FLOOR ZONE 2	1:300
H-507	RAIN WATER SYSTEM FOR ROOF FLOOR ZONE 2	1:300
H-508	RAIN WATER SYSTEM FOR GROUND FLOOR ZONE 3	1:300
H-509	RAIN WATER SYSTEM FOR FIRST FLOOR ZONE 3	1:300
H-510	RAIN WATER SYSTEM FOR SECOND FLOOR ZONE 3	1:300
H-511	RAIN WATER SYSTEM FOR ROOF FLOOR ZONE 3	1:300
H-512	RAIN WATER SYSTEM FOR GROUND FLOOR ZONE 4	1:300
H-513	RAIN WATER SYSTEM FOR FIRST FLOOR ZONE 4	1:300

MECHANICAL DRAWINGS

DRAWING No DRAWING No	DRAWING TITLE	SCALE
H-514	RAIN WATER SYSTEM FOR SECOND FLOOR ZONE 4	1:300
H-515	RAIN WATER SYSTEM FOR THIRD FLOOR ZONE 4	1:300
H-516	RAIN WATER SYSTEM FOR GROUND FLOOR ZONE 5	1:300
H-517	RAIN WATER SYSTEM FOR FIRST FLOOR ZONE 5	1:300
H-518	RAIN WATER SYSTEM FOR SECOND FLOOR ZONE 5	1:300
H-519	RAIN WATER SYSTEM FOR THIRD FLOOR ZONE 5	1:300
H-520	RAIN WATER SYSTEM FOR FOURTH FLOOR ZONE 5	1:300
H-521	RAIN WATER SYSTEM FOR FIFTH FLOOR ZONE 5	1:300
H-522	RAIN WATER SYSTEM FOR ROOF FLOOR ZONE 5	1:300
H-523	RAIN WATER SYSTEM FOR ZONE 7	1:300
H-524	RAIN WATER and FIRE FIGHTING SYSTEM FOR ZONE 8	1:300
H-601	HEATING SYSTEM FOR FLOOR ZONE 1	1:300
H-602	HEATING SYSTEM FOR SECOND FLOOR ZONE 1	1:300
H-603	HEATING SYSTEM FOR THIRD FLOOR ZONE 1	1:300
H-604	HEATING SYSTEM FOR MANAGEMENT TOWER ZONE 1	1:300
H-605	HEATING SYSTEM FOR GROUND FLOOR ZONE 5	1:300
H-606	HEATING SYSTEM FOR FIRST FLOOR ZONE 5	1:300
H-607	HEATING SYSTEM FOR SECOND FLOOR ZONE 5	1:300
H-608	HEATING SYSTEM FOR THIRD FLOOR ZONE 5	1:300
H-609	HEATING SYSTEM FOR FOURTH FLOOR ZONE 5	1:300
H-610	HEATING SYSTEM FOR ZONE 7	1:300
H-611	HEATING SYSTEM FOR ZONE 8	1:300
H-701	MECHANICAL DETAILS	---
H-702	MECHANICAL DETAILS	---
H-703	MECHANICAL DETAILS	---
H-704	MECHANICAL DETAILS	---
H-705	MECHANICAL DETAILS	---

LEGEND OF SYMBOLS

	REINFORCED CONCRETE					
	STONE					
	CONCRETE BLOCK					
	PLAN CONCRETE MORTAR					
	PLASTER FINE AGGREGATE FILL					
	COMPACTED SOIL					
	WATERPROOFING MEMBRANE					
	POLYETHYLENE SHEETS SEPARATION LAYER					
	SOLID WOOD BATTEN					
	HARD CORE					
	SECTION LINE					
	CENTER LINE					
	DETAIL REFERENCE					
	ROOM #					
	FLOOR LEVEL ON PLAN					
	FLOOR LEVEL ON ELEVATION					
<table border="1"><tr><td>FLOOR</td><td>WALL</td><td rowspan="2">FINISHES</td></tr><tr><td>CEILING</td><td>SKIR-TING</td></tr></table>	FLOOR	WALL	FINISHES	CEILING	SKIR-TING	
FLOOR	WALL	FINISHES				
CEILING	SKIR-TING					
	DOOR/WINDOW OPENING DOOR/WINDOW TYPE DOOR/WINDOW REFERENCE					
ALL DIMENSIONS ARE IN CENTIMETERS UNLESS OTHERWISE NOTED						
ALL LEVELS ARE IN METERS.						
Designed by: Japan International Cooperation Agency (JICA) JICA Study Team: Joint Venture of Pacific Consultants International and Yumoto Sekkei Inc. Subcontracted Local Consultant: TIBAN Consultants Architects, Engineers						
Raghadan Bus Terminal						
Drawing Title: LIST OF DRAWINGS & LEGEND						
Drawn by:	Drawn by: RBT . A001					

Note:
• This detailed design has been executed by a team of consultants as shown below in accordance with the agreement between Japan International Cooperation Agency (JICA) and JICA Study Team.
• The copyright of this drawing rests with JICA.

LIGHTING LEGEND:-

TYPE	SYMBOL	DESCRIPTION
A		A Ceiling Mounted Luminaire to House a 400 Watt Metal Halide Lamp and Controlgear Body Made out of Pressed Steel White,rylic Painted Uper Powder, Phosphate Treatment, UV Stabilized Anti Yellowing and Pressed Prismatic 99.85 Anodized AL Reflector Complete With a Tempered Protective Glass and AL Louver Similar to DISANO Code 321444+ 1183 Glass + 1181 Louver
A1		AN INDUSTRIAL LUMINAIRE FOR 400W. METAL HALIDE LAMP WITH WIDE BEEM REFLECTOR BODY MADE OUT OF DIECAST AL. WITH COOLING FINS TO BE COMPLETE WITH SUSPENSION CHAINS AND CONTROL GEAR COMPLETE WITH TEMPERED GLASS DIFFUSER AND PROTECTION GUARD SIMILAR TO DISANO CAT.NO.321656 OR EQUAL
P1		A 5 meter Height Pole in Extruded AL. Anodized by Tin Salt Based Electrocoating With Inspection Window in Die Cast AL. Complete With 16 A. Protective Fuse Holder and 5 Pole Removable Terminal Block, Complete With Flanged Mounting Base Similar to DISANO Code 426357 Complete With ACC-95 to Mount One Luminaire Cone Shaped for 150 W. High Pressure Sodium Lamp Body of Die Cast AL. and Cooling Fins Similar to DISANO 1590 Laser Code NO. 421826 Or Equal With Concrete Foundation of Dimension Not Less Than WXLXH = 500 x500 x 800 MM
P2		A Hexagonal Lighting Pole Made Out of Hot Dipped Galvanized Steel of 6mm Thick and 12 metre Height Complete With faughed Mounting Plate of Dimenitions Notless Than 400x400 mm and 4 NO. Holding Down Anchouring Both With Inspection Window and Fuse Base With 5 Pole Terminal Block to Accept 5x16mm ² Cable Loop in/Loop out and 2 Arms of 50cm Long to Mount Two Street Lighting Luminaire for 400W. HPS Lamp. Body Made of Diecast AL. and Curved Glass Protection to IP 65 Similar to THORN CAT.No.A200ASN 400.4(Alpha 2000) Or Equal
P3		Ditto P2 But With Quadro Arm Arrangement and 4 Lanterns
PB		A Wall Mounted Lantern Similar to P1 Lantern DISANO 1590 Laser Code NO. 421824 for 70 W.HPS Lamp Complete With Following Accessories ACC-98 Code NO. 991309 Wall Arm+ACC 1361 Wall Mounting Code NO. 426983
L		A Wall Recessed Luminaire of Diecast AL. Body With Protection Guard in White Clour to House 26W. Compact FL. Light Complete With Control Gear and Lamp and Recessed Box Similar to Cat.NO. 4529+4523.12 Or Equal
C		A Wall Mounetd Luminaire Body in Diecast AL. With Front Frame and With a Symmetric Reflector on pressed Anodised AL. With Mat Tempered Protection Glass Silk Screened Impact Resistance to House a 150 W. Metal Halide Lamp Similar to DISANO Cat.NO. 421161 or Equal
C1		Ditto Type (c) but For 70w. High Pressure Sodium As Disano Cat.NO.42115200
F2		2X36 W. IP 65 CORROSION RESISTANCE LUMINAIRE SIMILAR TO THORN LUE 236 OR EQUAL
B		DIE CAST AL BASE SANDBLASTED GLASS DIFFUSER FOR 18 WATT COMPACT FL. LAMP SIMILAR TO SIMES S 6829 OR EQUAL
		12V/50 w. Halogene Under Water Flood To Be Supplied by Fountain Equip. Supplier

POWER LEGENDS:-

SYMBOL	DESCRIPTION
	10 A ONE WAY ONE GANG LIGHT SWITCH
	DITTO BUT TWO GANG
	DITTO BUT THREE GANGS
	10 A TWO WAY ONE GANG SWITCH
	DITTO BUT TWO GANGS
	DITTO BUT THREE GANGS
	TIME SWITCH 24HR DIAL
	OUT LET FOR ELECTRIC WATER HEATER
	20 AMPS DOUBLE POLE SWITCH WITH LED INDICION LAMP
	ISOLATAR
	13 A SWITCHED SOCKET OUT LET SINGLE FED FROM UPS
	DITTO BUT FEDD FROM NORMAL DBS
	DITTO BUT DUPLEX & FED FROM UPS
	DITTO BUT FED FROM NORMAL DBS
	DISTRIBUTION BOARD
	MAIN DISTRIBUTION PANEL
	EARTHING PIT

LOW CURRENT LEGENDS

SYMBOL	DESCRIPTION
	RJ11-TEL OUT LET
	RJ45 DATA OUT LET
	DATA SWITCHED HUB
	CCTV CAMERA
	MONITOR
	VIDEO RECORDER
	MOTION DETECTOR
	MAGNETIC CONTACT
	HORN WITH FLASHER
	SOUNDER
	KEY PAD FOR SECURITY SYSTEM
	SMOKE DETECTOR
	HEAT DETECTOR
	BREAK GLASS UNIT
	FIRE ALARM PANEL
	ATTENDANCE CLOCK CARD PRINTER
	DOOR ACCESS CARD READER CONTROL UNIT

Designed by:
Japan International Cooperation Agency (JICA)

JICA Study Team:
Joint Venture of
Pacific Consultants International and
Yamasita Sekkei Inc.

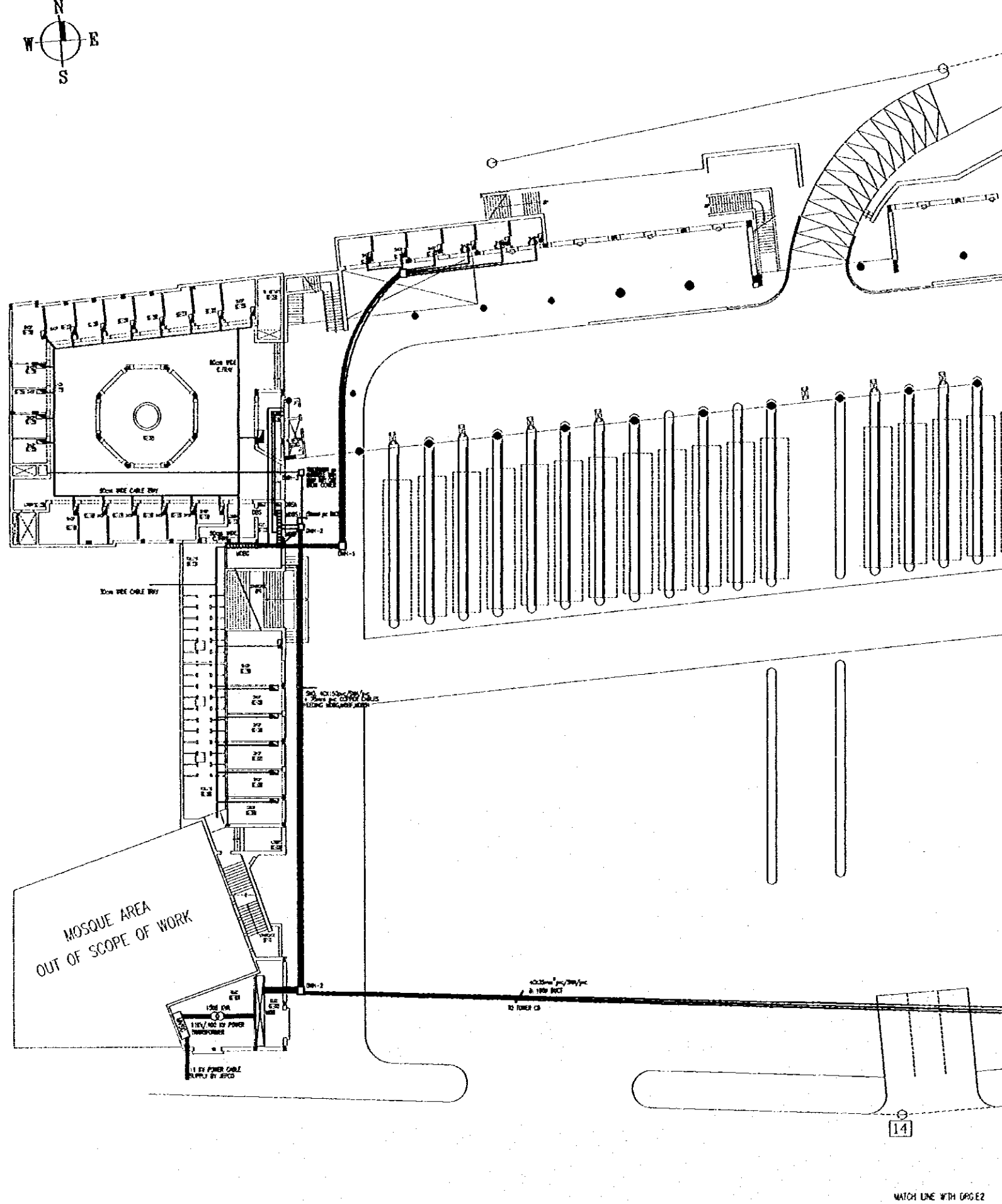
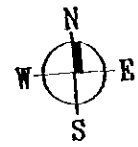
Subcontracted Local Consultant:

TBAH Consultants
Architects, Engineers

Raghadan Bus Terminal

Drawing Title:
LEGEND

Scale: Drawing No:
RBT .E 00



Tourism Sector Development Project
in the Hashemite Kingdom of Jordan

The Government of
the Hashemite Kingdom of Jordan
The Ministry of Tourism and Antiquities
The Ministry of Planning

Sub-Project:
Amman Downtown
Tourist Zone Development

Note:
- This detailed design has been executed by a team
of consultants as shown below in accordance with
the agreement between Japan International
Cooperation Agency (JICA) and JICA Study
Team.
- The copyright of this drawing rests with JICA.

Designed by:
Japan International Cooperation
Agency (JICA)
JICA Study Team:
Joint Venture of
Pacific Consultants International and
Yamasita Sekkei Inc.
Subcontracted Local Consultant:
TIBAH Consultants
Architects, Engineers

Raghadan Bus Terminal

Drawing Title:
GROUND FLOOR POWER
CABLES ROUTING
ZONE 3+4+6

Scale: 1:250
Drawing No.: RBT-B01

LEGEND OF SYMBOLS

	REINFORCED CONCRETE
	STONE
	CONCRETE BLOCK
	PLAIN CONCRETE MORTAR
	PLASTER FINE AGGREGATE FILL
	COMPACTED SOIL
	WATERPROOFING MEMBRANE
	POLYETHYLENE SHEETS SEPARATION LAYER
	SOLID WOOD BATTEN
	HARD CORE
	SECTION LINE
	CENTER LINE
	DETAIL REFERENCE
	ROOM #
	FLOOR LEVEL ON PLAN
	FLOOR LEVEL ON ELEVATION
	FINISHES
	DOOR/WINDOW OPENING
	DOOR/WINDOW TYPE
	DOOR/WINDOW REFERENCE

ALL DIMENSIONS ARE IN CENTIMETERS UNLESS OTHERWISE NOTED
ALL LEVELS ARE IN METERS.

Designed by:
Japan International Cooperation Agency (JICA)
JICA Study Team:
Joint Venture of Pacific Consultants International and Yamashita Sekkei Inc.
Subcontracted Local Consultant:
TIBH Consultants Architects, Engineers

Raghadan Bus Terminal

LIST OF DRAWINGS & LEGEND

Scale: Drawing No: RBT . A001

ELECTRICAL DRAWINGS		
DRAWING No	DRAWING TITLE	SCALE
E-00	LEGEND	AS SHOWN
E-01	GROUND FLOOR POWER CABLES ROUTING	1-250
E-02	GROUND FLOOR POWER CABLES ROUTING	1-250
E-03	FIRST FLOOR POWER CABLES ROUTING	1-250
E-04	FIRST FLOOR POWER CABLES ROUTING	1-250
E-05	SECOND FLOOR POWER CABLES ROUTING	1-250
E-06	SECOND FLOOR POWER CABLES ROUTING	1-250
E-07	GROUND FLOOR ELECTRICAL TYPICAL DETAILS	1-50
E-08	GROUND FLOOR ELECTRICAL TYPICAL DETAILS	1-50
E-09	GROUND FLOOR ELECTRICAL TYPICAL DETAILS	1-50
E-10	GROUND FLOOR ELECTRICAL TYPICAL DETAILS	1-50
E-11	ELECTRICAL LAYOUT FOR TOILETS	1-50
E-12	FIRST FLOOR ELECTRICAL TYPICAL DETAILS	1-50
E-13	FIRST FLOOR ELECTRICAL TYPICAL DETAILS	1-50
E-14	SECOND FLOOR ELECTRICAL TYPICAL DETAILS	AS SHOWN
E-15	SECOND FLOOR ELECTRICAL TYPICAL DETAILS	1-50
E-16	GROUND FLOOR AREA LIGHTING LAYOUT	1-250
E-17	GROUND FLOOR AREA LIGHTING LAYOUT	1-250
E-18	FIRST FLOOR AREA LIGHTING LAYOUT	1-250
E-19	FIRST FLOOR AREA LIGHTING LAYOUT	1-250
E-20	SECOND FLOOR AREA LIGHTING LAYOUT	1-250
E-21	SECOND FLOOR AREA LIGHTING LAYOUT	1-250
E-22	ELECTRICAL ROOM AND RIBS DETAILS	AS SHOWN
E-23	MAIN BBS SCHEMATICS	MTS
E-24	MAIN BBS SCHEMATICS	MTS
E-25	BBS SCHEMATICS	MTS
E-26	MANAGEMENT TOWER ELECTRICALS	1-250
E-27	GAR. TOWER ELECTRICALS	1-250
E-28	CIVIL DEFENSE TOWER ELECTRICALS	1-250
E-29	POLICE TOWER ELECTRICALS	1-250
E-30	TELEPHONE RISER DIAGRAM	MTS
E-31	GROUND FLOOR TELLAYOUT	1-250
E-32	GROUND FLOOR TELLAYOUT	1-250
E-33	FIRST FLOOR TELLAYOUT	1-250
E-34	FIRST FLOOR TELLAYOUT	1-250
E-35	SECOND FLOOR TELLAYOUT	1-250
E-36	SECOND FLOOR TELLAYOUT	1-250
E-37	GENERAL DETAILS	1-250
E-38	TYPICAL SHEET DETAIL	1-50

STRUCTURAL DRAWINGS		
DRAWING No	DRAWING TITLE	SCALE
S-610-1	Foundation RC Details, Zone 6	1/25
S-620	Columns RC details, Zone 6	1/25
S-630	First Floor Slab Framing Plan and RC Details, Zone 6	1/100
S-640	First Floor Beams RC Details, Zone 6	1/50 / 1/20
S-710-1	Foundation RC Details, Zone 7 & Zone 8	1/25
S-710-2	Foundation RC Details, Zone 7 & Zone 8	1/25
S-710-3	Foundation RC Details, Zone 7 & Zone 8	1/25
S-710-4	Tower Plan and RC Details, Zone 7&8	1/100
S-710-5	Foundation, Slab Plan and RC Det. Zone 7&8	1/25
S-800	Slab Case RC Details	1/50 / 1/100
S-802	Slab Case RC Details	1/50 / 1/100
S-803	Slab Case RC Details	1/50 / 1/100
S-804	Slab Case RC Details	1/50 / 1/100
S-805	Slab Case RC Details	1/50 / 1/100
S-806	Slab Case RC Details	1/50 / 1/100
S-807	Slab Case RC Details	1/50 / 1/100
S-808	Slab Case RC Details	1/50 / 1/100
S-809	Slab Case RC Details	1/50 / 1/100
S-810	Slab Case RC Details	1/50 / 1/100
S-830	Large Bus Toilets Building RC Details	Var.
S-850	Large Bus Shed Details	Var.
S-854	Large Bus Shed Foundation & RC Details	Var.
S-855	White Tard and MB Bus Shed Plan & Details	Var.
S-900	Bridge (1) Plan and Details	Var.
S-902	Bridge (1) Sections and Details	Var.
S-903	Bridge (1) Foundation Plan and RC	Var.
S-910	Bridge (2) Deck Plan and Section	Var.
S-912	Bridge (2) Sections and Details	Var.
S-913	Bridge (2) Foundation Plan and RC	Var.
S-914	Bridge Normal Details	Var.
S-920	Orthogonal Pierage Details	Var.
S-921	Pierage Plans (Zone 1, 2, 3)	Var.
S-922	Pierage Details (Zone 1, 2, 3)	Var.

STRUCTURAL DRAWINGS		
DRAWING No	DRAWING TITLE	SCALE
S-000-1	General Notes	
S-000-2	General Notes	
S-100-1	Foundation Plan and RC Details, Zone 1	1/100
S-100-2	Foundation RC Details, Zone 1	1/25
S-101	Columns RC details, Zone 1	1/20
S-132	Second Floor Slab Framing Plan and RC Details, Zone 1	1/100
S-133	Third Floor Slab Framing Plan and RC Details, Zone 1	1/100
S-142-1	Second Floor Beams RC Details, Zone 1	1/50 / 1/20
S-142-2	Second Floor Beams RC Details, Zone 1	1/50 / 1/20
S-142-3	Second Floor Beams RC Details, Zone 1	1/50 / 1/20
S-143-1	Third Floor Beams RC Details, Zone 1	1/50 / 1/20
S-200-1	Foundation Plan and RC Details, Zone 2	1/100
S-200-2	Foundation RC Details, Zone 2	1/25
S-200-3	Foundation RC Details, Zone 2	1/25
S-200-4	Columns RC details, Zone 2	1/20
S-200-5	Columns RC details, Zone 2	1/20
S-232	Second Floor Slab Framing Plan and RC Details, Zone 2	1/100
S-233	Roof Floor Slab Framing Plan and RC Details, Zone 2	1/100
S-242-1	Second Floor Beams RC Details, Zone 2	1/50 / 1/20
S-242-2	Second Floor Beams RC Details, Zone 2	1/50 / 1/20
S-242-3	Second Floor Beams RC Details, Zone 2	1/50 / 1/20
S-242-4	Second Floor Beams RC Details, Zone 2	1/50 / 1/20
S-243-1	Roof Floor Beams RC Details, Zone 2	1/50 / 1/20
S-243-2	Roof Floor Beams RC Details, Zone 2	1/50 / 1/20
S-300-1	Foundation Plan and RC Details, Zone 3	1/100
S-300-2	Foundation RC Details, Zone 3	1/25
S-300-3	Foundation RC Details, Zone 3	1/25
S-300-4	Foundation RC Details, Zone 3	1/25
S-300-5	Columns RC details, Zone 3	1/20
S-320	First Floor Slab Framing Plan and RC Details, Zone 3	1/100
S-332	Second Floor Slab Framing Plan and RC Details, Zone 3	1/100
S-333	Third Floor Slab Framing Plan and RC Details, Zone 3	1/100
S-334	Framing Plan at High Level and RC Details, Zone 3	1/100
S-340	First Floor Beams RC Details, Zone 3	1/50 / 1/20
S-342	Second Floor Beams RC Details, Zone 3	1/50 / 1/20
S-343	Third Floor Beams RC Details, Zone 3	1/50 / 1/20
S-344	High Level Beams RC Details, Zone 3	1/50 / 1/20
S-400-1	Foundation Plan and RC Details, Zone 4	1/100
S-400-2	Foundation RC Details, Zone 4	1/25
S-400-3	Foundation RC Details, Zone 4	1/25
S-420-1	Columns RC details, Zone 4	1/20
S-420-2	Columns RC details, Zone 4	1/20
S-430	First Floor Slab Framing Plan and RC Details, Zone 4	1/100
S-432	Second Floor Slab Framing Plan and RC Details, Zone 4	1/100
S-433	Roof Floor Slab Framing Plan and RC Details, Zone 4	1/100
S-440-1	First Floor Beams RC Details, Zone 4	1/50 / 1/20
S-440-2	First Floor Beams RC Details, Zone 4	1/50 / 1/20
S-440-3	First Floor Beams RC Details, Zone 4	1/50 / 1/20
S-440-4	Second Floor Beams RC Details, Zone 4	1/50 / 1/20
S-440-5	Second Floor Beams RC Details, Zone 4	1/50 / 1/20
S-440-6	Roof Floor Beams RC Details, Zone 4	1/50 / 1/20
S-500-1	Foundation Plan and RC Details, Zone 5	1/100
S-500-2	Foundation RC Details, Zone 5	1/25
S-500-3	Foundation RC Details, Zone 5	1/25
S-520-1	Columns RC details, Zone 5	1/20
S-520-2	Columns RC details, Zone 5	1/20
S-530	First Floor Slab Framing Plan and RC Details, Zone 5	1/100
S-532	Second Floor Slab Framing Plan and RC Details, Zone 5	1/100
S-533	Third Floor Slab Framing Plan and RC Details, Zone 5	1/100
S-540-1	First Floor Beams RC Details, Zone 5	1/50 / 1/20
S-540-2	First Floor Beams RC Details, Zone 5	1/50 / 1/20
S-540-3	First Floor Beams RC Details, Zone 5	1/50 / 1/20
S-542-1	Second Floor Beams RC Details, Zone 5	1/50 / 1/20
S-542-2	Second Floor Beams RC Details, Zone 5	1/50 / 1/20
S-542-3	Second Floor Beams RC Details, Zone 5	1/50 / 1/20
S-543-1	Third Floor Beams RC Details, Zone 5	1/50 / 1/20
S-543-2	Third Floor Beams RC Details, Zone 5	1/50 / 1/20
S-543-3	Third Floor Beams RC Details, Zone 5	1/50 / 1/20
S-600-1	Foundation Plan and RC Details, Zone 6	1/100
S-600-2	Foundation RC Details, Zone 6	1/25
S-600-3	Foundation RC Details, Zone 6	1/25

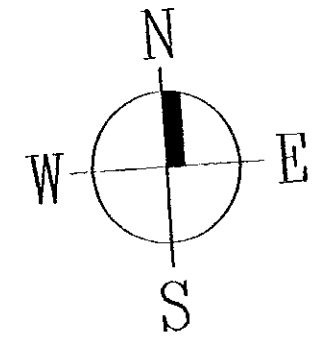
ARCHITECTURAL DRAWINGS		
DRAWING No	DRAWING TITLE	SCALE
A-001	STAIRCASES	1-50/1-25
A-002	STAIRCASES	1-50/1-25
A-003	STAIRCASES	1-50/1-25
A-004	STAIRCASES	1-50/1-25
A-005	STAIRCASES	1-50/1-25
A-006	STAIRCASES	1-50/1-25
A-007	STAIRCASES	1-50/1-25
A-008	STAIRCASES	1-50/1-25
A-009	STAIRCASES	1-50/1-25
A-010	STAIRCASES	1-50/1-25
A-011	STAIRCASES	1-50/1-25
A-012	STAIRCASES	1-50/1-25
A-013	STAIRCASES	1-50/1-25
A-014	STAIRCASES	1-50/1-25
A-015	STAIRCASES	1-50/1-25
A-016	STAIRCASES	1-50/1-25
A-017	STAIRCASES	1-50/1-25
A-018	STAIRCASES	1-50/1-25
A-019	STAIRCASES	1-50/1-25
A-020	STAIRCASES	1-50/1-25
A-021	STAIRCASES	1-50/1-25
A-022	STAIRCASES	1-50/1-25
A-023	STAIRCASES	1-50/1-25
A-024	STAIRCASES	1-50/1-25
A-025	STAIRCASES	1-50/1-25
A-026	STAIRCASES	1-50/1-25
A-027	STAIRCASES	1-50/1-25
A-028	STAIRCASES	1-50/1-25
A-029	STAIRCASES	1-50/1-25
A-030	STAIRCASES	1-50/1-25
A-031	STAIRCASES	1-50/1-25
A-032	STAIRCASES	1-50/1-25
A-033	STAIRCASES	1-50/1-25
A-034	STAIRCASES	1-50/1-25
A-035	STAIRCASES	1-50/1-25
A-036	STAIRCASES	1-50/1-25
A-037	STAIRCASES	1-50/1-25
A-038	STAIRCASES	1-50/1-25
A-039	STAIRCASES	1-50/1-25
A-040	STAIRCASES	1-50/1-25
A-041	STAIRCASES	1-50/1-25
A-042	STAIRCASES	1-50/1-25
A-043	STAIRCASES	1-50/1-25
A-044	STAIRCASES	1-50/1-25
A-045	STAIRCASES	1-50/1-25
A-046	STAIRCASES	1-50/1-25
A-047	STAIRCASES	1-50/1-25
A-048	STAIRCASES	1-50/1-25
A-049	STAIRCASES	1-50/1-25
A-050	STAIRCASES	1-50/1-25
A-051	DOORS ELEVATIONS	1-20
A-052	DOORS ELEVATIONS	1-20
A-053	DOORS ELEVATIONS	1-20
A-054	DOORS ELEVATIONS	1-20
A-055	DOORS ELEVATIONS	1-20
A-056	DOORS ELEVATIONS	1-20
A-057	DOORS ELEVATIONS	1-20
A-058	DOORS ELEVATIONS	1-20
A-059	DOORS ELEVATIONS	1-20
A-060	DOORS ELEVATIONS	1-20
A-061	DOORS ELEVATIONS	1-20
A-062	DOORS ELEVATIONS	1-20
A-063	DOORS ELEVATIONS	1-20
A-064	DOORS ELEVATIONS	1-20
A-065	DOORS ELEVATIONS	1-20
A-066	DOORS ELEVATIONS	1-20
A-067	DOORS ELEVATIONS	1-20
A-068	DOORS ELEVATIONS	1-20
A-069	DOORS ELEVATIONS	1-20
A-070	DOORS ELEVATIONS	1-20
A-071	DOORS ELEVATIONS	1-20
A-072	DOORS ELEVATIONS	1-20
A-073	DOORS ELEVATIONS	1-20
A-074	DOORS ELEVATIONS	1-20
A-075	DOORS ELEVATIONS	1-20
A-076	DOORS ELEVATIONS	1-20
A-077	DOORS ELEVATIONS	1-20
A-078	DOORS ELEVATIONS	1-20
A-079	DOORS ELEVATIONS	1-20
A-080	DOORS ELEVATIONS	1-20
A-081	DOORS ELEVATIONS	1-20
A-082	DOORS ELEVATIONS	1-20
A-083	DOORS ELEVATIONS	1-20
A-084	DOORS ELEVATIONS	1-20
A-085	DOORS ELEVATIONS	1-20
A-086	DOORS ELEVATIONS	1-20
A-087	DOORS ELEVATIONS	1-20
A-088	DOORS ELEVATIONS	1-20
A-089	DOORS ELEVATIONS	1-20
A-090	DOORS ELEVATIONS	1-20
A-091	DOORS ELEVATIONS	1-20
A-092	DOORS ELEVATIONS	1-20
A-093	DOORS ELEVATIONS	1-20
A-094	DOORS ELEVATIONS	1-20
A-095	DOORS ELEVATIONS	1-20
A-096	DOORS ELEVATIONS	1-20
A-097	DOORS ELEVATIONS	1-20
A-098	DOORS ELEVATIONS	1-20
A-099	DOORS ELEVATIONS	1-20
A-100	DOORS ELEVATIONS	1-20
A-101	DOORS ELEVATIONS	1-20
A-102	DOORS ELEVATIONS	1-20
A-103	DOORS ELEVATIONS	1-20
A-104	DOORS ELEVATIONS	1-20
A-105	DOORS ELEVATIONS	1-20
A-106	DOORS ELEVATIONS	1-20
A-107	DOORS ELEVATIONS	1-20
A-108	DOORS ELEVATIONS	1-20
A-109	DOORS ELEVATIONS	1-20
A-110	DOORS ELEVATIONS	1-20
A-111	DOORS ELEVATIONS	1-20
A-112	DOORS ELEVATIONS	1-20
A-113	DOORS ELEVATIONS	1-20
A-114	DOORS ELEVATIONS	1-20
A-115	DOORS ELEVATIONS	1-20
A-116	DOORS ELEVATIONS	1-20
A-117	DOORS ELEVATIONS	1-20
A-118	DOORS ELEVATIONS	1-20
A-119	DOORS ELEVATIONS	1-20
A-120	DOORS ELEVATIONS	1-20
A-121	DOORS ELEVATIONS	1-20
A-122	DOORS ELEVATIONS	1-20
A-123	DOORS ELEVATIONS	1-20
A-124	DOORS ELEVATIONS	1-20
A-125	DOORS ELEVATIONS	1-20
A-126	DOORS ELEVATIONS	1-20
A-127	DOORS ELEVATIONS	1-20
A-128	DOORS ELEVATIONS	1-20
A-129	DOORS ELEVATIONS	1-20
A-130	DOORS ELEVATIONS	1-20
A-131	DOORS ELEVATIONS	1-20
A-132	DOORS ELEVATIONS	1-20
A-133	DOORS ELEVATIONS	1-20
A-134	DOORS ELEVATIONS	1-20
A-135	DOORS ELEVATIONS	1-20
A-136	DOORS ELEVATIONS	1-20
A-137	DOORS ELEVATIONS	1-20
A-138	DOORS ELEVATIONS	1-20
A-139	DOORS ELEVATIONS	1-20
A-140	DOORS ELEVATIONS	1-20
A-141	DOORS ELEVATIONS	1-20
A-142	DOORS ELEVATIONS	1-20
A-143	DOORS ELEVATIONS	1-20
A-144	DOORS ELEVATIONS	1-20
A-145	DOORS ELEVATIONS	1-20
A-146	DOORS ELEVATIONS	1-20
A-147	DOORS ELEVATIONS	1-20
A-148	DOORS ELEVATIONS	1-20
A-149	DOORS ELEVATIONS	1-20
A-150	DOORS ELEVATIONS	1-20
A-151	DOORS ELEVATIONS	1-20
A-152	DOORS ELEVATIONS	1-20
A-153	DOORS ELEVATIONS	1-20
A-154	DOORS ELEVATIONS	1-20
A-155	DOORS ELEVATIONS	1-20
A-156	DOORS ELEVATIONS	1-20
A-157	DOORS ELEVATIONS	1-20
A-158	DOORS ELEVATIONS	1-20

Tourism Sector Development Project
In the Hashemite Kingdom of Jordan

The Government of
the Hashemite Kingdom of Jordan
The Ministry of Tourism and Antiquities
The Ministry of Planning

Sub-Project:
Amman Downtown
Tourist Zone Development

Note:
• This detailed design has been executed by a team of consultants as shown below in accordance with the agreement between Japan International Cooperation Agency (JICA) and JICA Study Team.
• The copyright of this drawing rests with JICA.

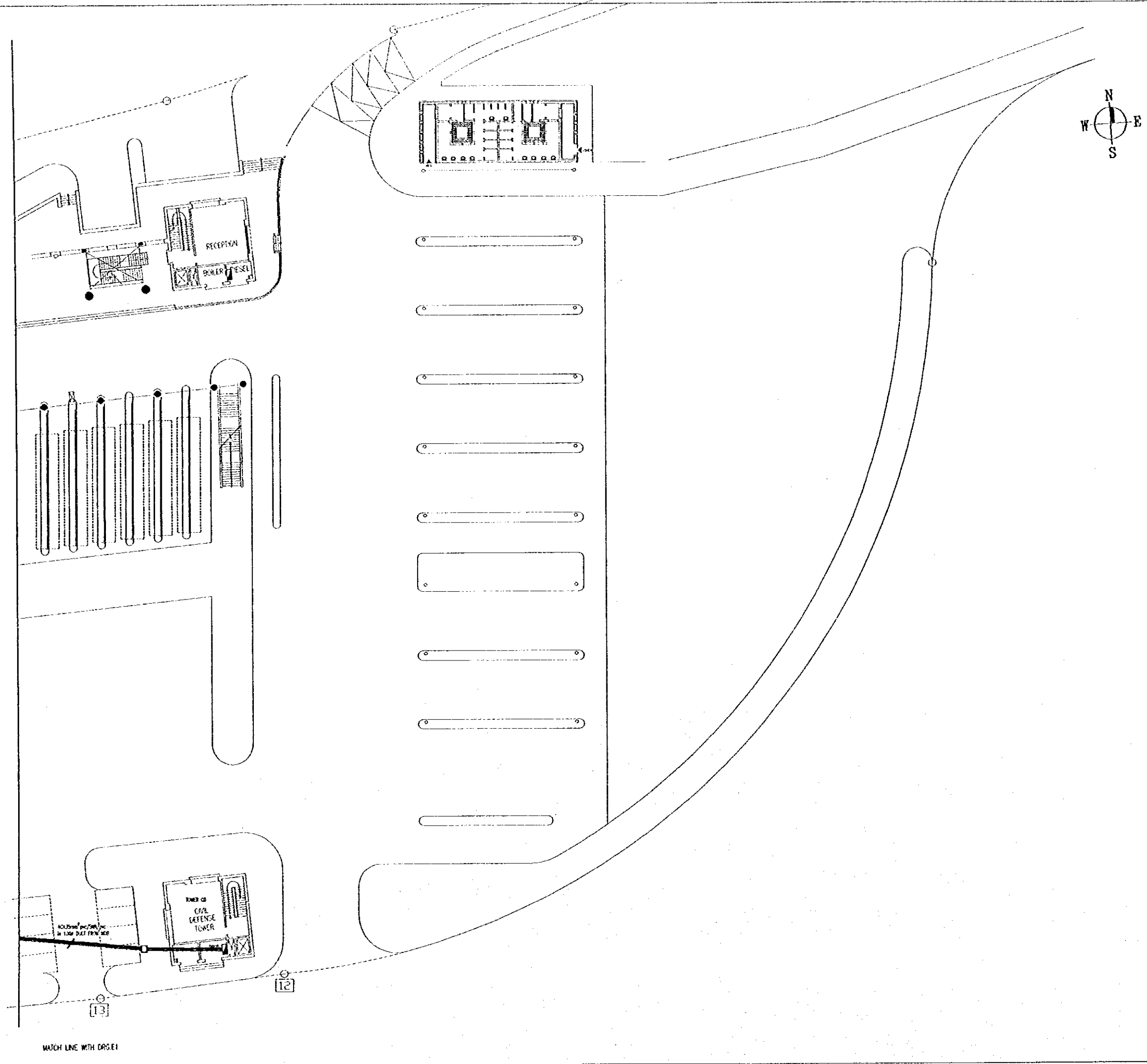


Designed by:
Japan International Cooperation Agency (JICA)
JICA Study Team:
Joint Venture of
Pacific Consultants International and
Yamashita Sekkei Inc.
Subcontracted Local Consultant:
TIBAH Consultants
Architects, Engineers

Raghadan Bus Terminal

Drawing Title:
GROUND FLOOR POWER
CABLES ROUTING
ZONE 5+7+9+10

Scale: 1:250
Drawing No: RBT-E02



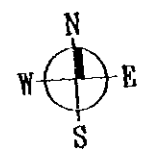
MATCH LINE WITH CASE1

Note:
- This detailed design has been executed by a team of consultants as shown below in accordance with the agreement between Japan International Cooperation Agency (JICA) and JICA Study Team.
- The copyright of this drawing rests with JICA.

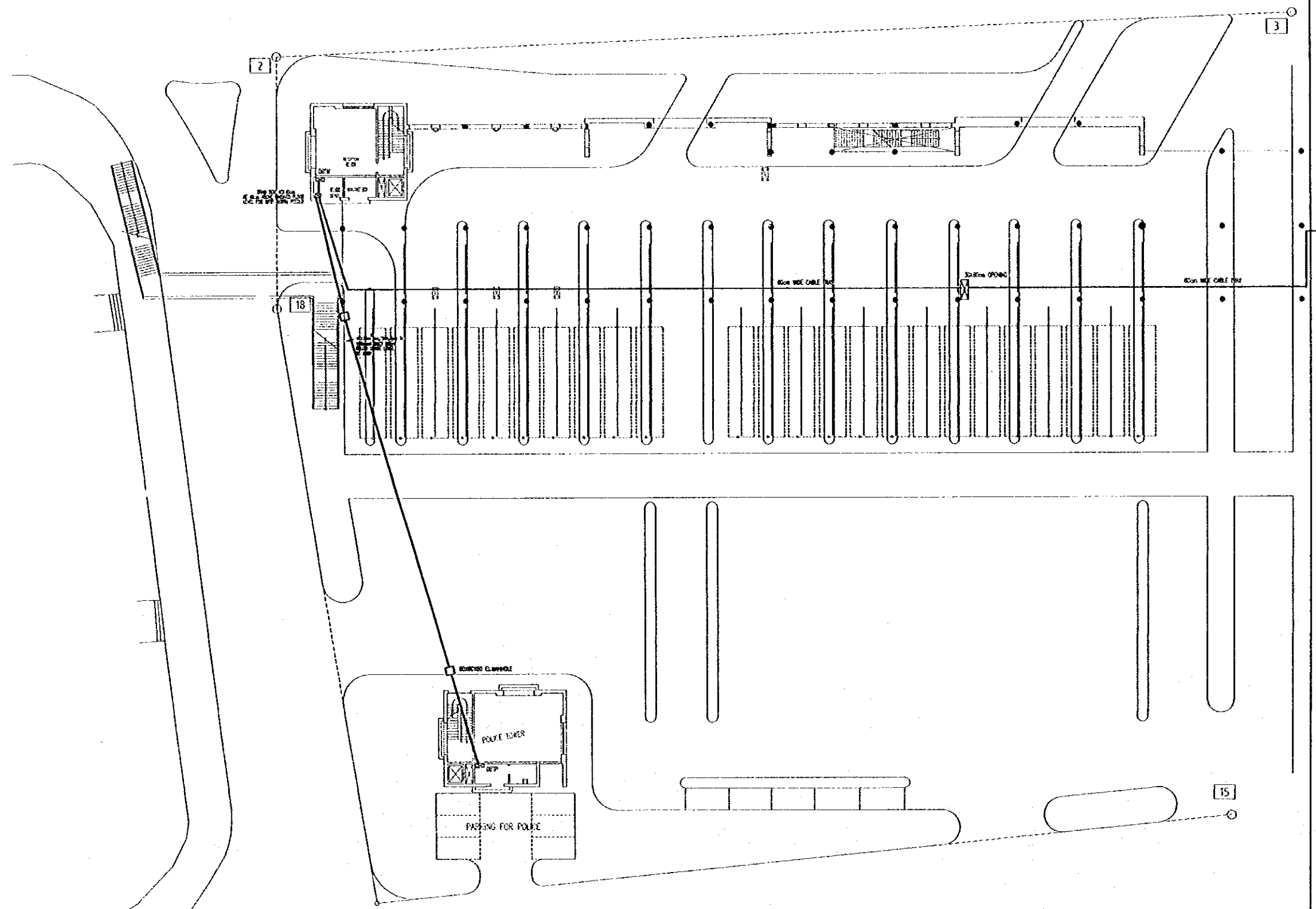
Designed by:
Japan International Cooperation Agency (JICA)
JICA Study Team:
Joint Venture of
Pacific Consultants International and
Yamato Sekkei Inc.
Subcontracted Local Consultant:
TIBAH Consultants
Architects, Engineers


Raghadan Bus Terminal
Drawing Title:
FIRST FLOOR POWER
CABLES ROUTING
ZONE 1+2+8


Scale: 1:250 Drawing No: RBT-E03



MATCH LINE WITH DRG.E1



Note:
• This detailed design has been executed by a team of consultants as shown below in accordance with the agreement between Japan International Cooperation Agency (JICA) and JICA Study Team.
• The copyright of this drawing rests with JICA.

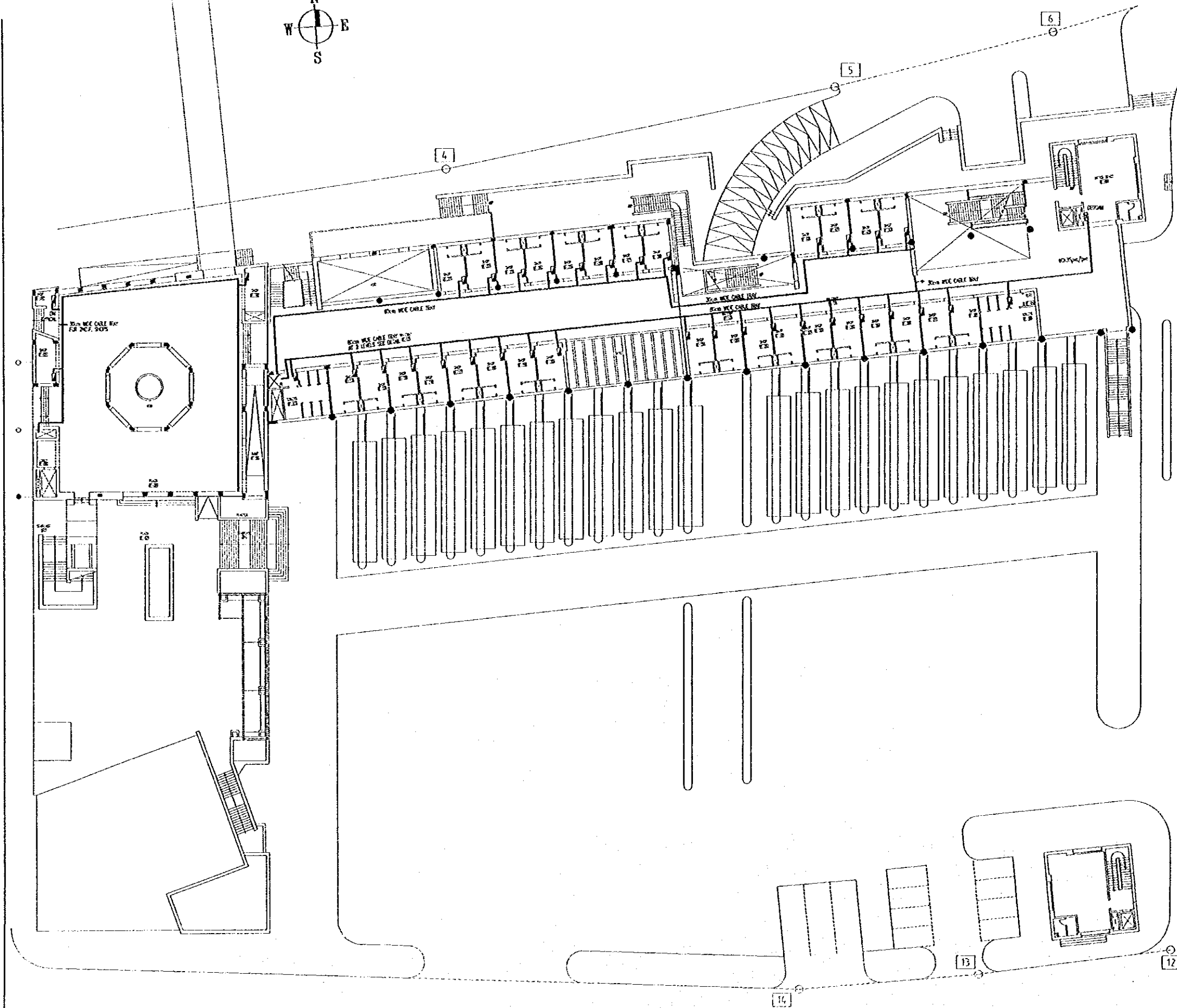
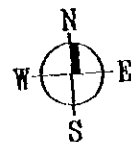
Designed by:
Japan International Cooperation Agency (JICA)
JICA Study Team:
Joint Venture of
Pacific Consultants International and
Yamamoto Sekkei Inc.
Subcontracted Local Consultant:
TIBAH Consultants
Architects, Engineers


Raghadan Bus Terminal

Drawing Title:
FIRST FLOOR POWER
CABLES ROUTING
ZONE 3+4+5+6+7

Scale: 1:250 Drawing No: RBT-E04

MATCH LINE WITH DRAWING

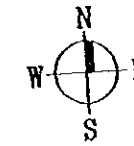


Tourism Sector Development Project
in the Hashemite Kingdom of Jordan

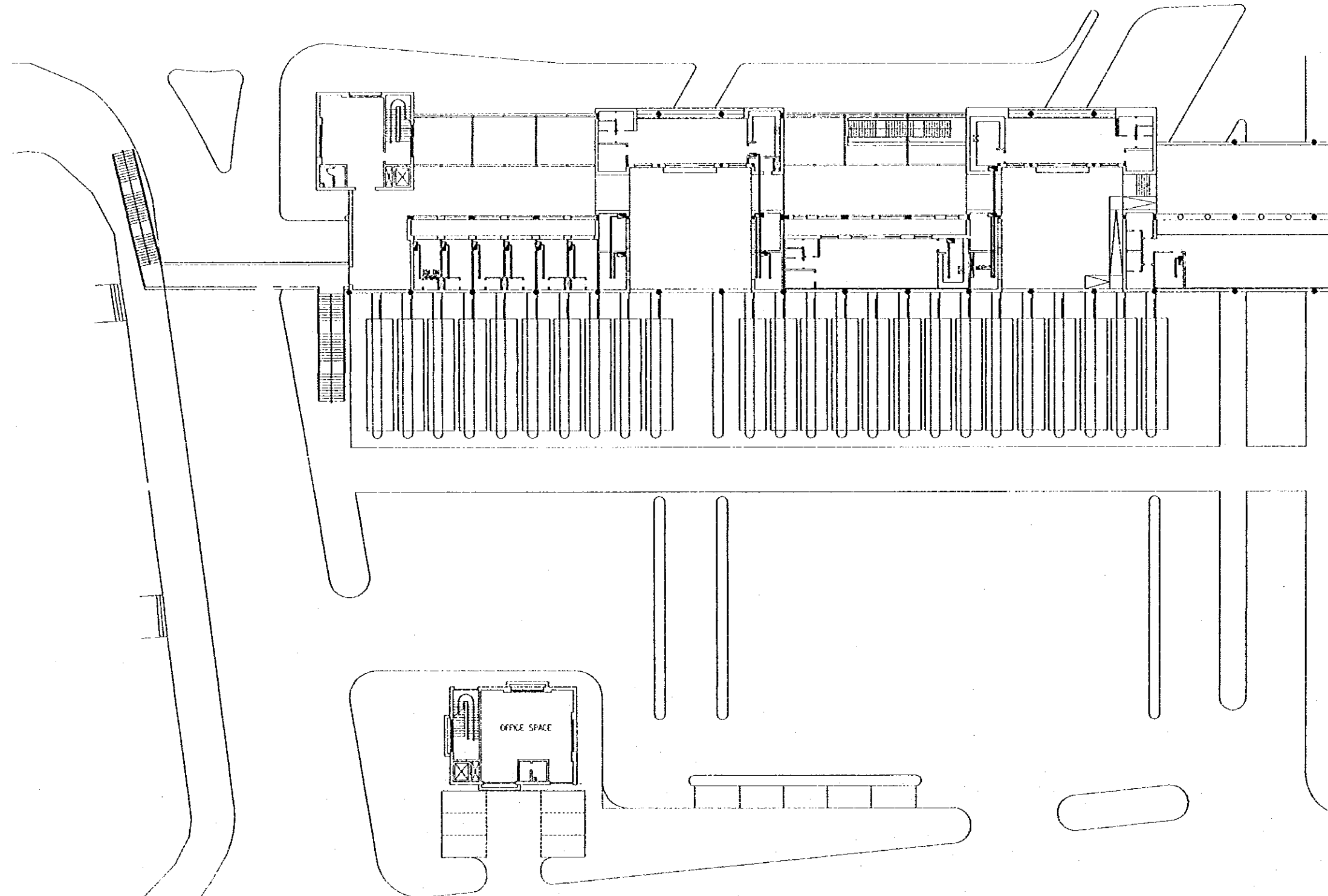
The Government of
the Hashemite Kingdom of Jordan
The Ministry of Tourism and Antiquities
The Ministry of Planning

Sub-Project:
Amman Downtown
Tourist Zone Development

Note:
• This detailed design has been executed by a team
of consultants as shown below in accordance with
the agreement between Japan International
Cooperation Agency (JICA) and JICA Study
Team.
• The copyright of this drawing rests with JICA.



MATCH LINE WITH DRG.E05



Designed by:
Japan International Cooperation
Agency (JICA)

JICA Study Team:
Joint Venture of
Pacific Consultants International and
Yamasita Sekkei Inc.

Subcontracted Local Consultant:
TIBAH Consultants
Architects, Engineers

Raghadan Bus Terminal

Drawing Title:
SECOND FLOOR POWER
CABLES ROUTING
ZONE 1+2+8

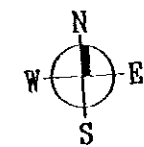
Scale: 1:250 Drawing No.: RBT•E05

Tourism Sector Development Project
in the Hashemite Kingdom of Jordan

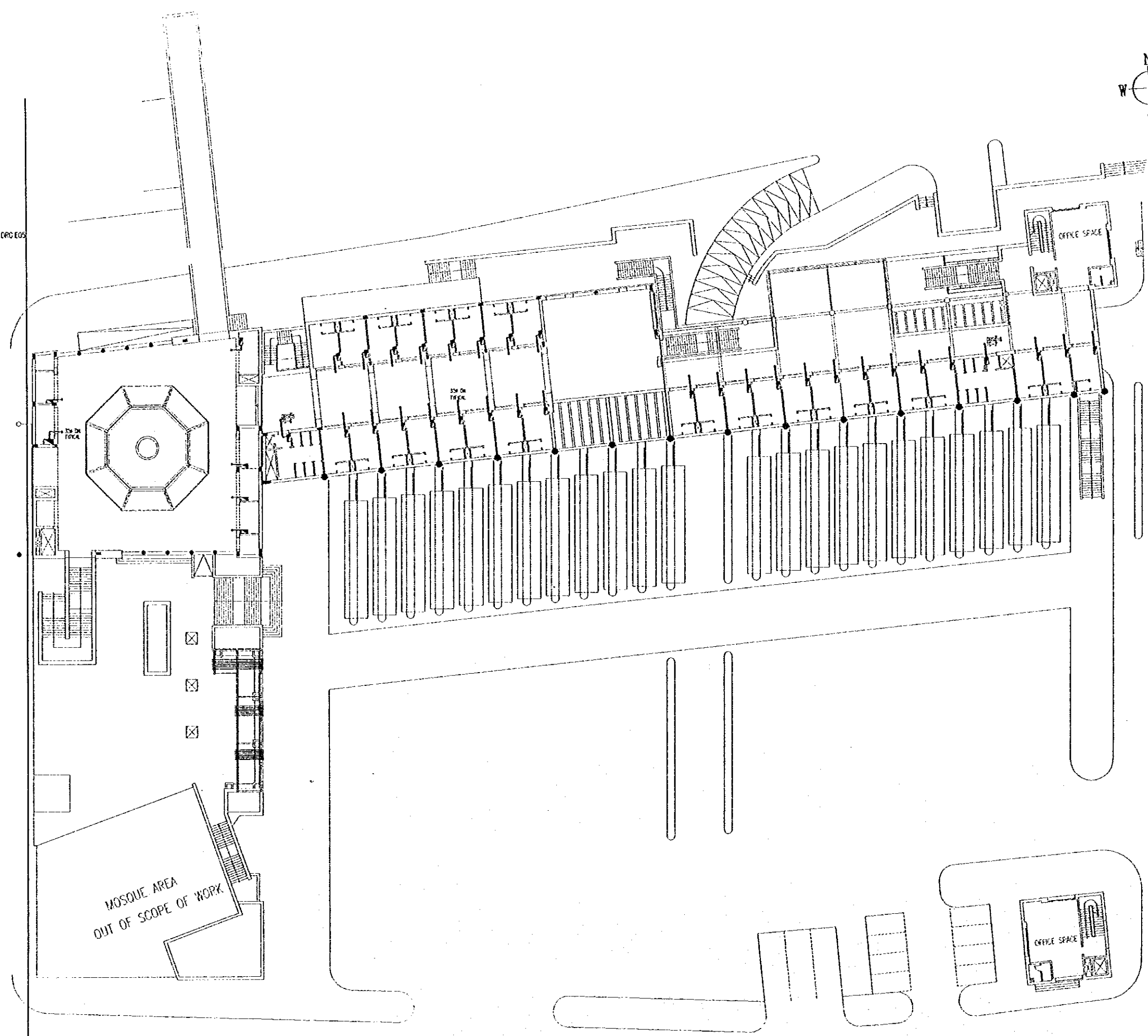
The Government of
the Hashemite Kingdom of Jordan
The Ministry of Tourism and Antiquities
The Ministry of Planning

Sub-Project:
Amman Downtown
Tourist Zone Development

Note:
• This detailed design has been executed by a team
of consultants as shown below in accordance with
the agreement between Japan International
Cooperation Agency (JICA) and JICA Study
Team.
• The copyright of this drawing rests with JICA.



MATCH LINE WITH DRG E05



Designed by:
Japan International Cooperation
Agency (JICA)

JICA Study Team:
Joint Venture of
Pacific Consultants International and
Yamasita Sekkei Inc.

Subcontracted Local Consultant:
TIBAH Consultants
Architects, Engineers



Raghadan Bus Terminal

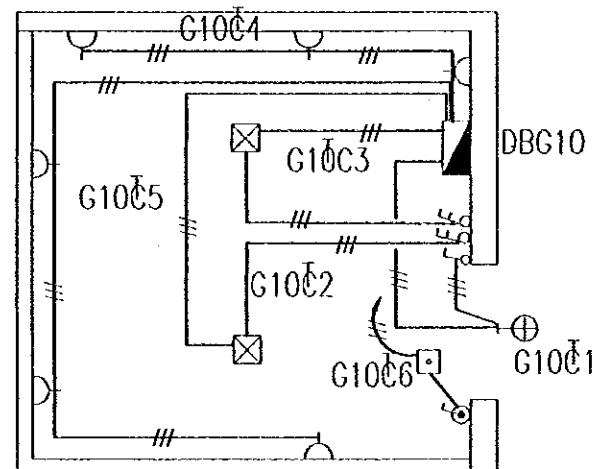
Drawing Title:
SECOND FLOOR POWER
CABLES ROUTING
ZONE 3+4+5+6+7

Scale: 1:250
Drawing No.: RBT-E06

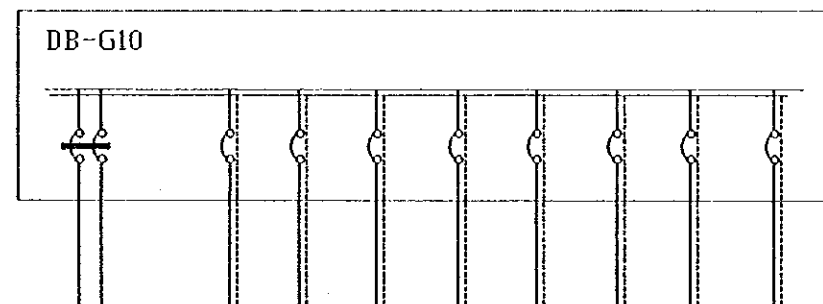
Note:
• This detailed design has been executed by a team of consultants as shown below in accordance with the agreement between Japan International Cooperation Agency (JICA) and JICA Study Team.
• The copyright of this drawing rests with JICA.

LEGEND

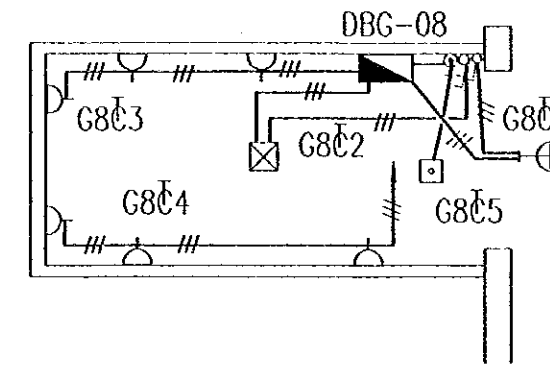
- ⊕ EL. OUTLET FOR SIGN BOARD
- ☒ CEILING JUNCTION BOX FOR FUTURE LIGHTING
- 1X26W PL. LAMP LUMINAIRE WITH CAST AL. BASE & FROSTED GLASS W/EAR COVER & PROTECTION GUARD TO IP65 SIMILAR TO SIMES S 6531 OR EQUAL
- 1X36V. FL. FIXTURE CORROSION RESISTANCE BODY TO IP65 SIMILAR TO THORN LUEZ 236 OR EQUAL
- TOILET POWER SUPPLY BOX (INSTALLED AT 2.4M FFL. COMPRISING 10ASPNMCB)
- △ 13A. SWITCHED SOCKET OUTLET
- POWER JUNCTION BOX AT H.L. FOR A.C. UNIT
- ⌘ TWO GANG, ONE WAY SWITCH
- ⌘ ONE GANG, ONE WAY SWITCH
- ⌘ 20A. D. POLE SWITCH WITH PILOT LIGHT
- ▬ DISTRIBUTION BOARD



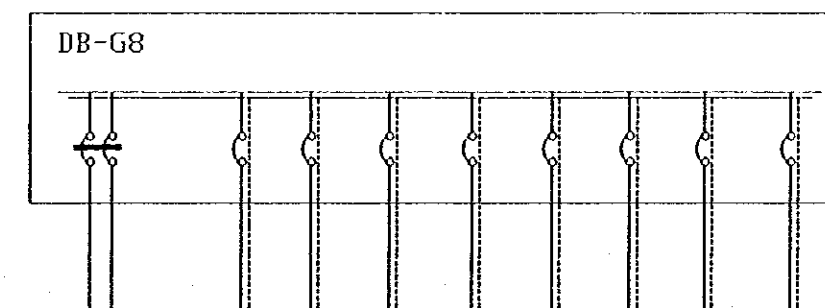
SHOP TYPE G1- DETAIL
FOR SHOP G10



CIRCUIT NO.	MAIN	1	2	3	4	5	6	7	8
RATING AMPS	40A SPN	10	10	10	15	15	20	15	15
WIRE SIZE	3X10mm ² pvc/pvc in CABLE 1.32φ cond.	3X2.5	3X2.5	3X2.5	3X4	3X4	3X4	-	-
CONDUIT φmm	PART. DN CT. PART. 32φ	20φ	20φ	20φ	20φ	20φ	20φ	20φ	20φ
LOAD TYPE	SHOP TYPE G1	LIGHT	LIGHT	LIGHT	SOCKET	SOCKET	A-C SUPPLY	SPARE	SPARE
LOAD W	6200	600	600	600	1000	1000	2400	-	-



SHOP TYPE G2- DETAIL
FOR SHOPS(G4,G6-G9)



CIRCUIT NO.	MAIN	1	2	3	4	5	6	7	8
RATING AMPS	40A SPN	10	10	15	15	20	10	15	15
WIRE SIZE	3X10mm ² pvc/pvc in CABLE 1.32φ cond.	3X2.5	3X2.5	3X4	3X4	3X4	-	-	-
CONDUIT φmm	PART. DN CT. PART. 32φ	20φ	20φ	20φ	20φ	20φ	20φ	20φ	20φ
LOAD TYPE	SHOP TYPE G2	LIGHT	LIGHT	SOCKET	SOCKET	A-C SUPPLY	SPARE	SPARE	SPARE
LOAD W	5200	600	1000	600	600	2400	-	-	-

Designed by:
Japan International Cooperation Agency (JICA)

JICA Study Team:
Joint Venture of Pacific Consultants International and Yamasita Sekkei Inc.

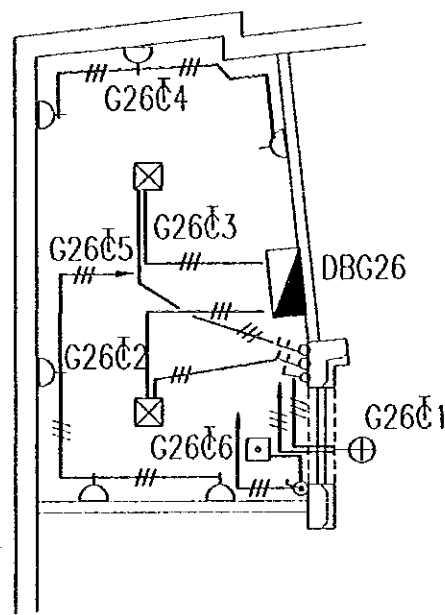
Subcontracted Local Consultant:
TIBAH Consultants Architects, Engineers

Raghadan Bus Terminal

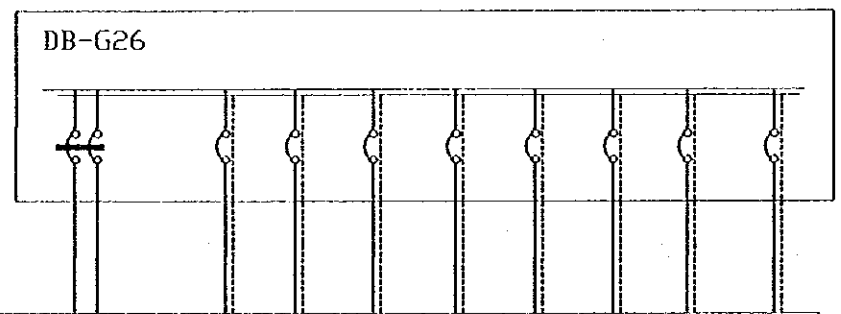
Drawing Title:
Ground Floor ELECTRICAL TYPICAL DETAILS

Scale: 1:50 Drawing No.: RBT.E07

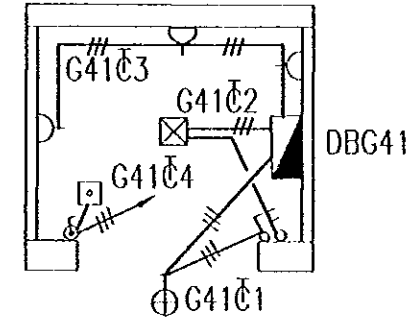
Note:
• This detailed design has been executed by a team of consultants as shown below in accordance with the agreement between Japan International Cooperation Agency (JICA) and JICA Study Team.
• The copyright of this drawing rests with JICA.



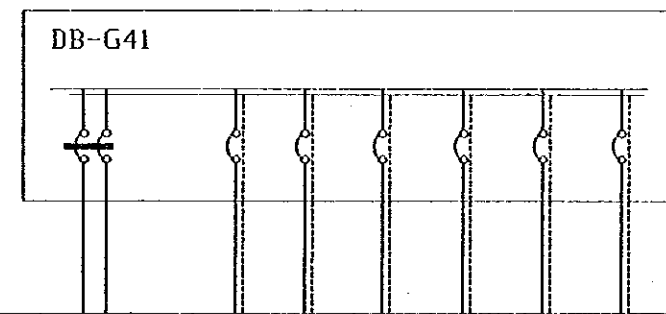
SHOP TYPE G4- DETAIL
FOR SHOPS (G26,G35)



CIRCUIT NO.	MAIN	1	2	3	4	5	6	7	8
RATING AMPS	40A SPN	10	10	10	15	15	20	15	15
WIRE SIZE	3X10mm ² pvc/pvc in CABLE 1.32φ cond.	3X2.5	3X2.5	3X2.5	3X4	3X4	3X4	-	-
CONDUIT φmm	PART. ON CT. PART 32φ	20φ	20φ	20φ	20φ	20φ	20φ	20φ	20φ
LOAD TYPE	SHOP TYPE G4	LIGHT	LIGHT	LIGHT	SOCKET	SOCKET	A-C SUPPLY	SPARE	SPARE
LOAD W	6200	600	600	600	1000	1000	2400	-	-



SHOP TYPE G5- DETAIL
FOR SHOPS (G14,G38-G43)



CIRCUIT NO.	MAIN	1	2	3	4	5	6
RATING AMPS	40A SPN	10	10	15	20	15	10
WIRE SIZE	3X10mm ² pvc/pvc in CABLE 1.32φ cond.	3X2.5	3X2.5	3X4	3X4	-	-
CONDUIT φmm	PART. ON CT. PART 32φ	20φ	20φ	20φ	20φ	20φ	20φ
LOAD TYPE	SHOP TYPE G5	LIGHT	LIGHT	SOCKET	A-C SUPPLY	SPARE	SPARE
LOAD W	2000	400	400	600	1200	-	-

LEGEND

- ⊕ EL. OUTLET FOR SIGN BOARD
- ☒ CEILING JUNCTION BOX FOR FUTURE LIGHTING
- 1X26W PL. LAMP LUMINAIRE WITH CAST AL BASE & FROSTED GLASS WEAR COVER & PROTECTION GUARD TO IP65 SIMILAR TO SIMES S 6531 OR EQUAL
- ▭ 1X36V. FL. FIXTURE CORROSION RESISTANCE BODY TO IP65 SIMILAR TO THORN LUEZ 236 OR EQUAL
- ▣ TOILET POWER SUPPLY BOX INSTALLED AT 2.4M FFL. COMPRISING 10A SPN MCB
- △ 13A. SWITCHED SOCKET OUTLET
- POWER JUNCTION BOX AT H.L. FOR A.C. UNIT
- ⚡ TWO GANG, ONE WAY SWITCH
- ♂ ONE GANG, ONE WAY SWITCH
- ⚡ 20A. D. POLE SWITCH WITH PILOT LIGHT
- ▣ DISTRIBUTION BOARD

Designed by:
Japan International Cooperation Agency (JICA)
JICA Study Team:
Joint Venture of Pacific Consultants International and Yamasita Sekkei Inc.
Subcontracted Local Consultant:
TIBAH Consultants
Architects, Engineers

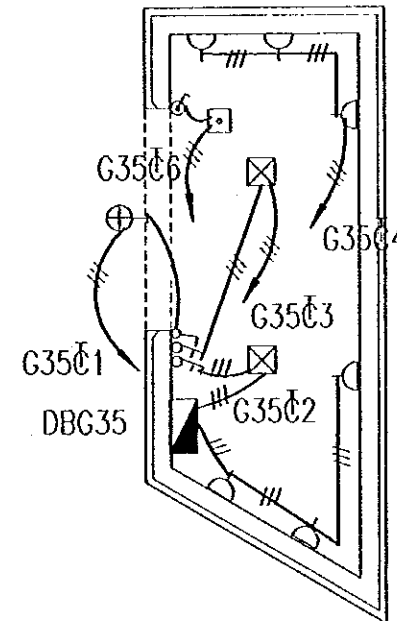
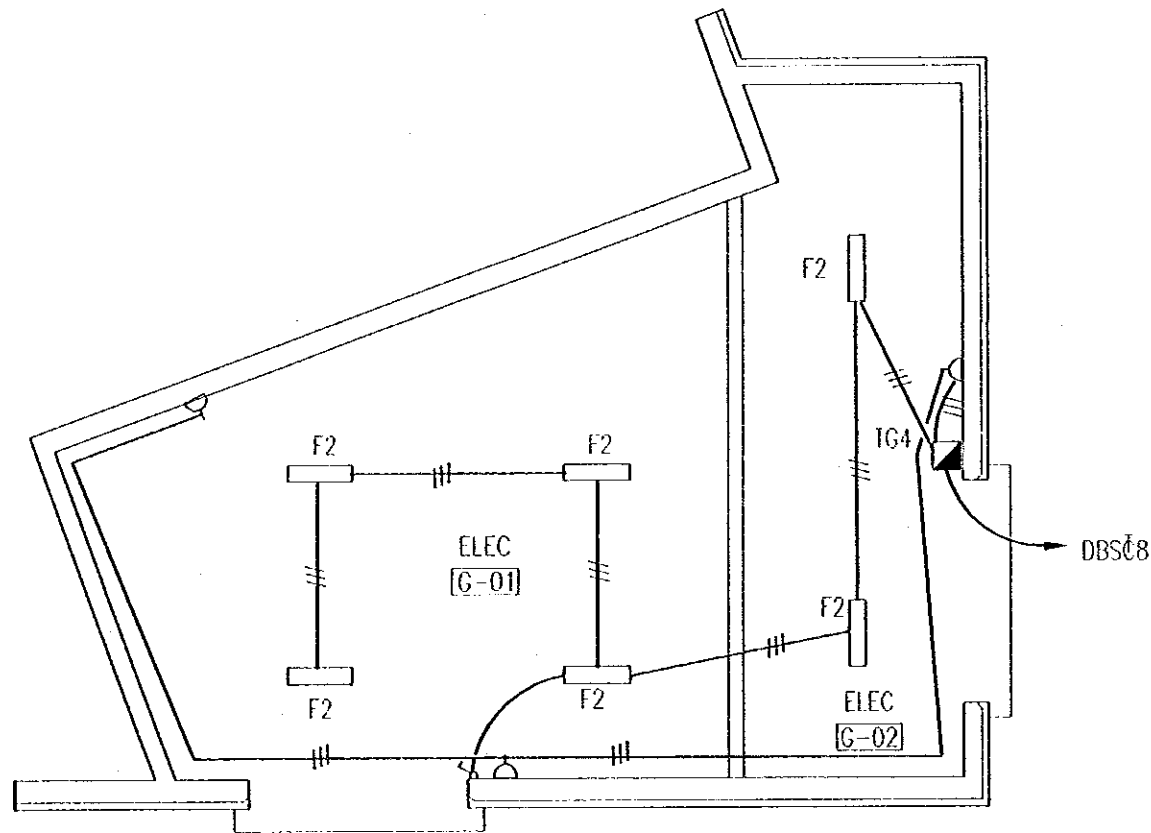
Raghadan Bus Terminal
Drawing Title:
Ground Floor ELECTRICAL
TYPICAL DETAILS

Scale: 1:50
Drawing No.: RBT.E08

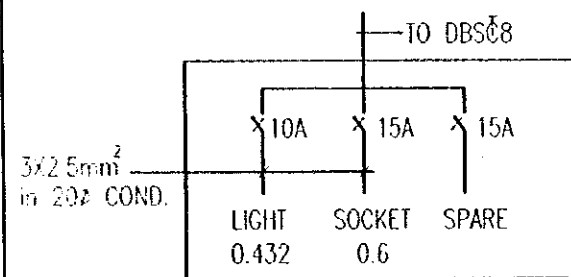
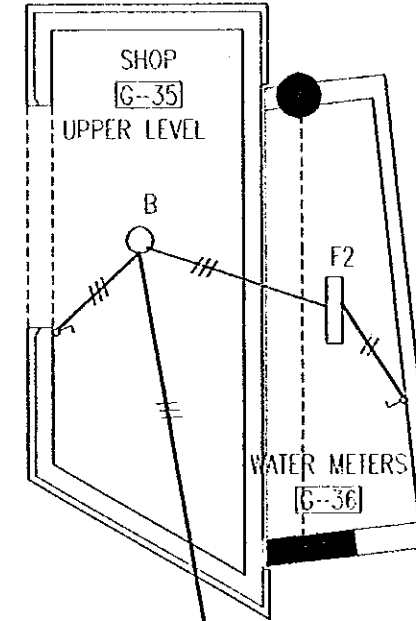
Note:
• This detailed design has been executed by a team of consultants as shown below in accordance with the agreement between Japan International Cooperation Agency (JICA) and JICA Study Team.
• The copyright of this drawing rests with JICA.

LEGEND

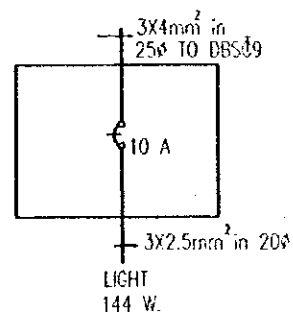
- ⊕ EL. OUTLET FOR SIGN BOARD
- ⊠ CEILING JUNCTION BOX FOR FUTURE LIGHTING
- 1X26V.P.L. LAMP LUMINAIRE WITH CAST AL.BASE & FROSTED GLASS W/EAR COVER & PROTECTION GUARD TO IP65 SIMILAR TO SIMES S 6531 OR EQUAL
- ▭ 1X36V. FL.FIXTURE CORROSION RESISTANCE BODY TO IP65 SIMILAR TO THORN LUEZ 236 OR EQUAL
- ⊠ TOILET POWER SUPPLY BOX INSTALLED AT 2.4M FFL. COMPRISING 10A.SPACE
- ⊠ 13A. SWITCHED SOCKET OUTLET
- ⊠ POWER JUNCTION BOX AT H.L. FOR A.C. UNIT
- ⊠ TWO GANG, ONE WAY SWITCH
- ⊠ ONE GANG, ONE WAY SWITCH
- ⊠ 20A. D.POLE SWITCH WITH PILOT LIGHT
- ▭ DISTRIBUTION BOARD



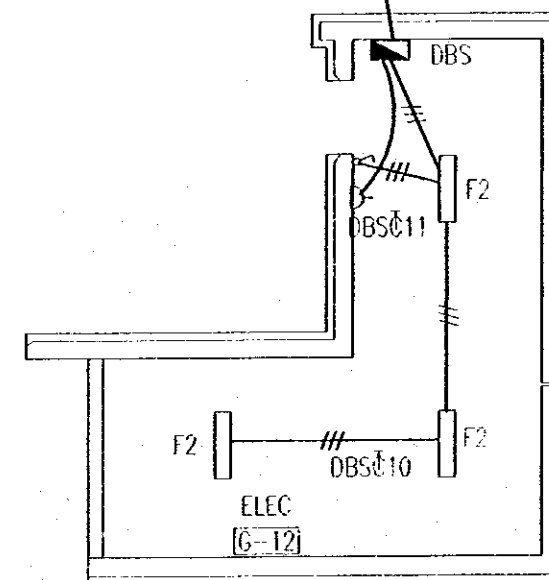
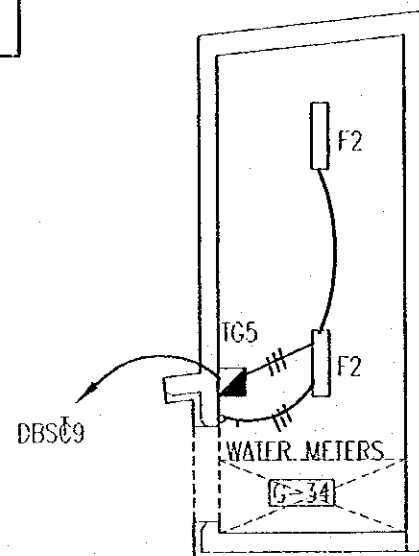
DBG35 LOWER LEVEL DETAILS



(TG-4)



(TG-5)



Designed by:
Japan International Cooperation Agency (JICA)

JICA Study Team:
Joint Venture of
Pacific Consultants International and
Yamashita Sekkei Inc.

Subcontracted Local Consultant:

TIBAH Consultants
Architects, Engineers
طباطبائي وشركاه

Raghadan Bus Terminal

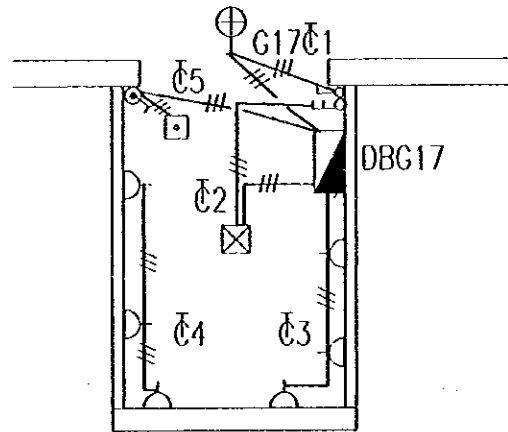
Drawing Title:
Ground Floor ELECTRICAL
TYPICAL DETAILS

Scale: 1:50 Drawing No.: RBT.E09

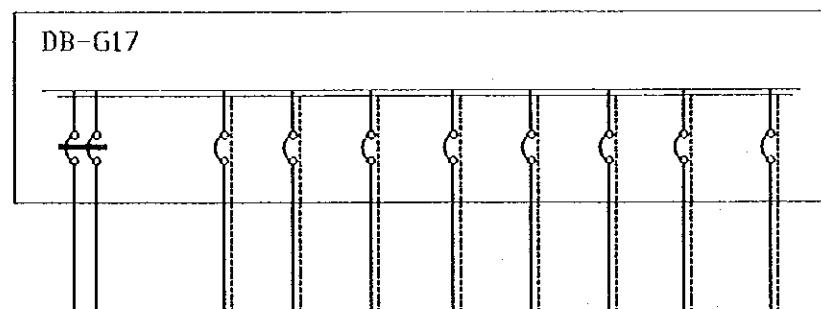
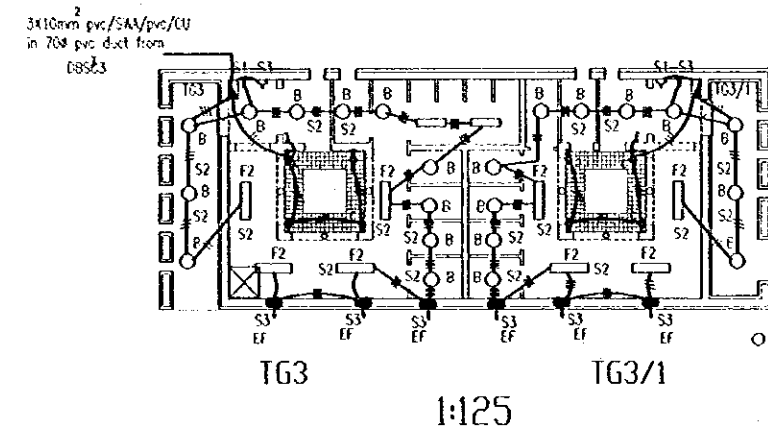
Note:
• This detailed design has been executed by a team of consultants as shown below in accordance with the agreement between Japan International Cooperation Agency (JICA) and JICA Study Team.
• The copyright of this drawing rests with JICA.

LEGEND

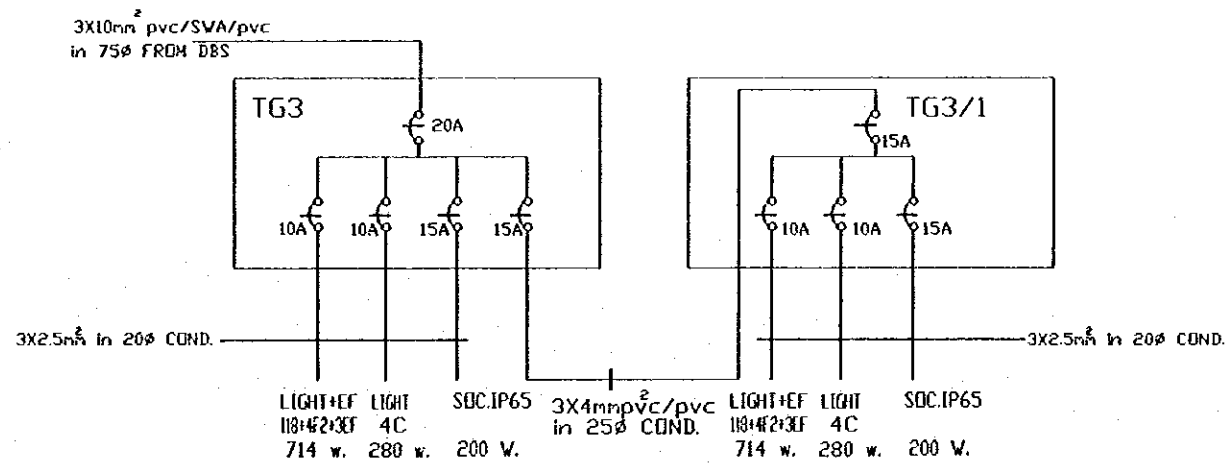
- ⊕ EL. OUTLET FOR SIGN BOARD
- ☒ CEILING JUNCTION BOX FOR FUTURE LIGHTING
- 1X26VPL. LAMP LUMINAIRE WITH CAST AL. BASE & FROSTED GLASS WEAIR COVER & PROTECTION GUARD TO IP65 SIMILAR TO SITES S 6531 OR EQUAL
- 1X36V. FL. FIXTURE CORROSION RESISTANCE BODY TO IP65 SIMILAR TO THORN LUEZ 236 OR EQUAL
- ▣ TOILET POWER SUPPLY BOX INSTALLED AT 24H FFL. COMPRISING 10A SPANCB
- △ 13A. SWITCHED SOCKET OUTLET
- POWER JUNCTION BOX AT H.L. FOR A.C. UNIT
- ⌘ TWO GANG, ONE WAY SWITCH
- ⌘ ONE GANG, ONE WAY SWITCH
- ⌘ 20A. D. POLE SWITCH WITH PILOT LIGHT
- ▣ DISTRIBUTION BOARD



SHOP TYPE G3- DETAIL
FOR SHOPS(G15-G25, G27-G33)



CIRCUIT NO.	MAIN	1	2	3	4	5	6	7	8
RATING AMPS	30A SPN	10	10	15	15	20	10	15	15
WIRE SIZE	3X10mm ² pvc/pvc in TABLE 1.329 COND.	3X2.5	3X2.5	3X4	3X4	3X4	-	-	-
CONDUIT Ømm	PART ON CT. PART 32Ø	20Ø	20Ø	20Ø	20Ø	20Ø	20Ø	20Ø	20Ø
LOAD TYPE	SHOP TYPE G3	LIGHT	LIGHT	SOCKET	SOCKET	A-C SUPPLY	SPARE	SPARE	SPARE
LOAD W	3900	600	500	600	600	1600	-	-	-



Designed by:
Japan International Cooperation Agency (JICA)
JICA Study Team:
Joint Venture of Pacific Consultants International and Yamasa Sekkol Inc.
Subcontracted Local Consultant:
TBAH Consultants Architects, Engineers

Raghadan Bus Terminal
Drawing Title:
Ground Floor ELECTRICAL TYPICAL DETAILS

Scale: 1:50 Drawing No: RBTE10

No: 1
This detailed design has been executed by a team of consultants as shown below in accordance with the agreement between Japan International Cooperation Agency (JICA) and JICA Study Team.
The copyright of this drawing rests with JICA.

LEGEND

- ⊕ EL. OUTLET FOR SIGN BOARD
- ☒ CEILING JUNCTION BOX FOR FUTURE LIGHTING
- 1X26VPL LAMP LUMINAIRE WITH CAST AL. BASE & FROSTED GLASS VEAR COVER & PROTECTION GUARD TO IP65 SIMILAR TO SIMES S 6531 OR EQUAL
- ▭ 1X36W. FLUORESCENCE CORROSION RESISTANCE BODY TO IP65 SIMILAR TO THORN LUEZ 236 OR EQUAL
- ☒ TOILET POWER SUPPLY BOX (INSTALLED AT 2.4M FFL. COMPRISING 10ASPNMCB)
- △ 13A. SWITCHED SOCKET OUTLET
- ☐ POWER JUNCTION BOX AT HL FOR A.C. UNIT
- ⋈ TWO GANG, ONE WAY SWITCH
- ⋆ ONE GANG, ONE WAY SWITCH
- ⊕ 20A. D. POLE SWITCH WITH PILOT LIGHT
- ▭ DISTRIBUTION BOARD
- ▭ 2X36W. CORROSION RESISTANCE BODY OF REINFORCED FIBER GLASS TO IP54 SIMILAR TO THORN OR EQUAL

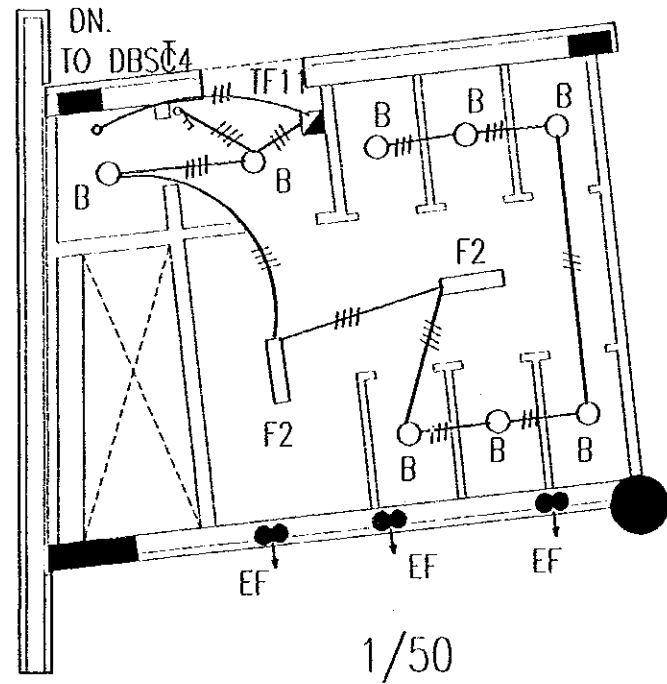
Designed by:
Japan International Cooperation Agency (JICA)
JICA Study Team:
Joint Venture of Pacific Consultants International and Yamashita Sekkei Inc.
Subcontracted Local Consultant:
TIBAH Consultants Architects, Engineers

Raghadan Bus Terminal

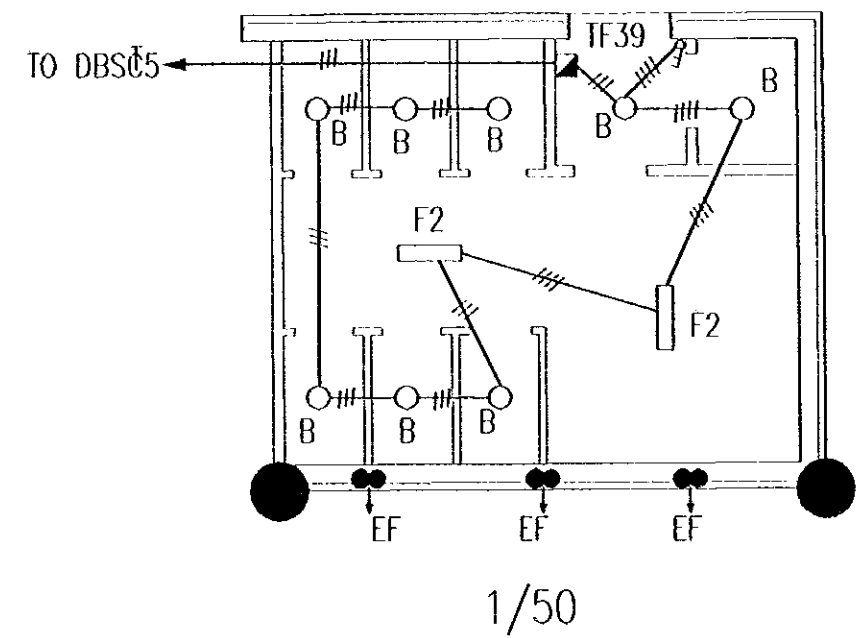
Drawing Title:
ELECTRICAL LAYOUT FOR TOILETS

Scale: 1:50 Drawing No: RBT.E11

TOILETS
[E-11]



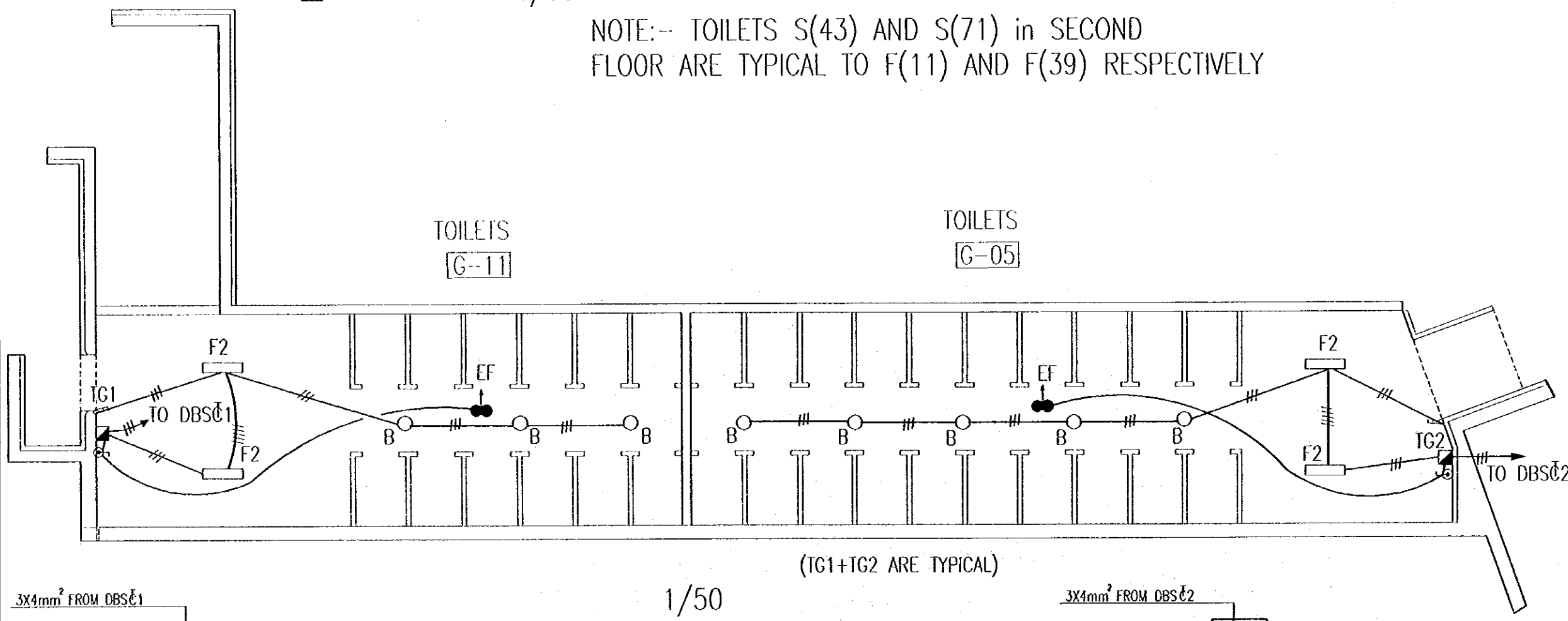
TOILETS
[F-39]



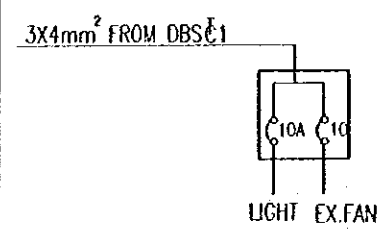
NOTE:- TOILETS S(43) AND S(71) in SECOND FLOOR ARE TYPICAL TO F(11) AND F(39) RESPECTIVELY

TOILETS
[G-11]

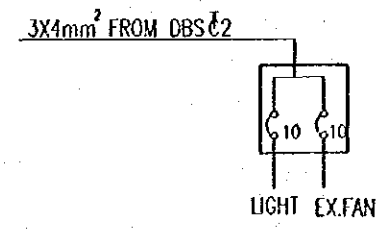
TOILETS
[G-05]



(TG1+TG2 ARE TYPICAL)



TG2 - TOILET JUNCTION BOX DETAIL

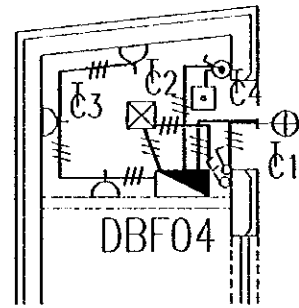


TG1 - TOILET JUNCTION BOX DETAIL

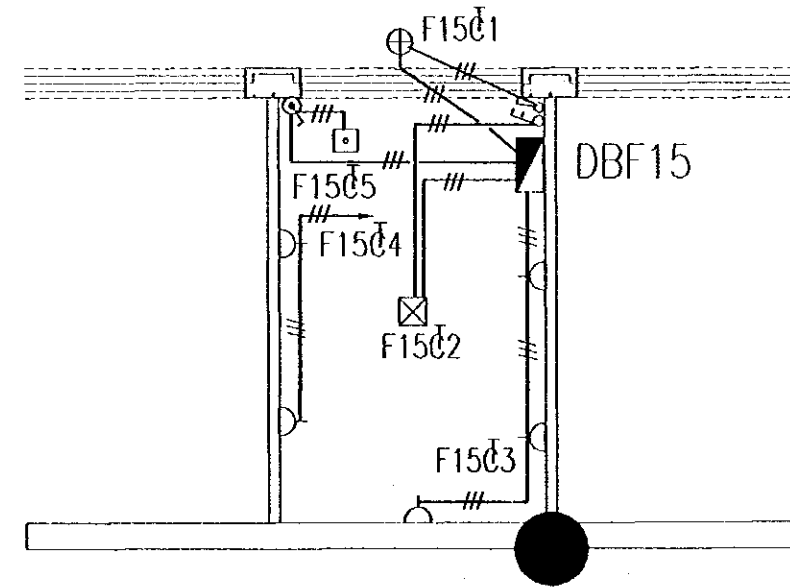
Note:
• This detailed design has been executed by a team of consultants as shown below in accordance with the agreement between Japan International Cooperation Agency (JICA) and JICA Study Team.
• The copyright of this drawing rests with JICA.

LEGEND

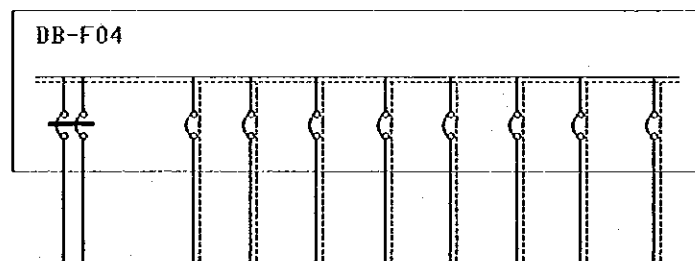
- ⊕ EL. OUTLET FOR SIGN BOARD
- ☒ CEILING JUNCTION BOX FOR FUTURE LIGHTING
- 1X26W PL LAMP LUMINAIRE WITH CAST AL. BASE & FROSTED GLASS WEAR COVER & PROTECTION GUARD TO IP65 SIMILAR TO SIMES S 6531 OR EQUAL
- 1X36W FL. FIXTURE CORROSION RESISTANCE BODY TO IP65 SIMILAR TO THORN LUEZ 236 OR EQUAL
- ☑ TOILET POWER SUPPLY BOX INSTALLED AT 2.4H FFL. COMPRISING 10A SPNMCB
- △ 13A SWITCHED SOCKET OUTLET
- ☐ POWER JUNCTION BOX AT H.L. FOR A.C. UNIT
- ⋈ TWO GANG, ONE WAY SWITCH
- ⋉ ONE GANG, ONE WAY SWITCH
- ♯ 20A D. POLE SWITCH WITH PILOT LIGHT
- ▭ DISTRIBUTION BOARD
- ▭ 2X36W. CORROSION RESISTANCE BODY OF REINFORCED FIBER GLASS TO IP54 SIMILAR TO THORN OR EQUAL



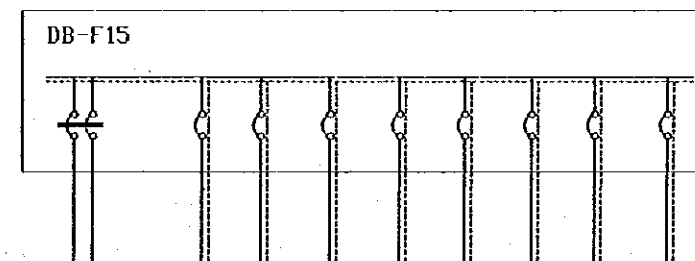
SHOP TYPE F2- DETAIL
FOR SHOP F-04



SHOP TYPE F3- DETAIL
FOR SHOPS (F13-F38 AND F40-F43)



CIRCUIT NO.	MAIN	1	2	3	4	5	6	7	8
RATING AMPS	30A SPNMCB	10	10	15	20	10	15	10	15
WIRE SIZE	3X10mm ² pvc/pvc	3X2.5	3X2.5	3X4	3X4	-	-	-	-
CONDUIT Ømm	PART. ON CT. PART. 32ø	20ø	20ø	20ø	20ø	20ø	20ø	20ø	20ø
LOAD TYPE	SHOP TYPE F2	LIGHT	LIGHT	SOCKET	A-C SUPPLY	SPARE	SPARE	SPARE	SPARE
LOAD W	3000	600	600	600	1200	-	-	-	-



CIRCUIT NO.	MAIN	1	2	3	4	5	6	7	8
RATING AMPS	30A SPNMCB	10	10	15	15	20	10	15	15
WIRE SIZE	3X10mm ² pvc/pvc	3X2.5	3X2.5	3X4	3X4	3X4	-	-	-
CONDUIT Ømm	PART. ON CT. PART. 32ø	20ø	20ø	20ø	20ø	20ø	20ø	20ø	20ø
LOAD TYPE	SHOP TYPE F3	LIGHT	LIGHT	SOCKET	SOCKET	A-C SUPPLY	SPARE	SPARE	SPARE
LOAD W	4000	600	600	600	400	1800	-	-	-

Designed by:
Japan International Cooperation Agency (JICA)
JICA Study Team:
Joint Venture of Pacific Consultants International and Yamashita Sekkei Inc.

Subcontracted Local Consultant:
TIBAH Consultants
Architects, Engineers

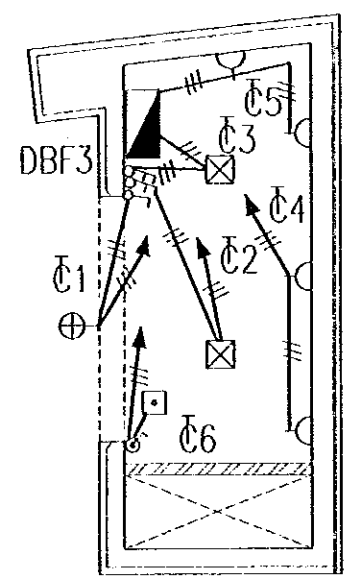
Raghadan Bus Terminal

Drawing Title:
FIRST FLOOR ELECTRICAL
TYPICAL DETAILS

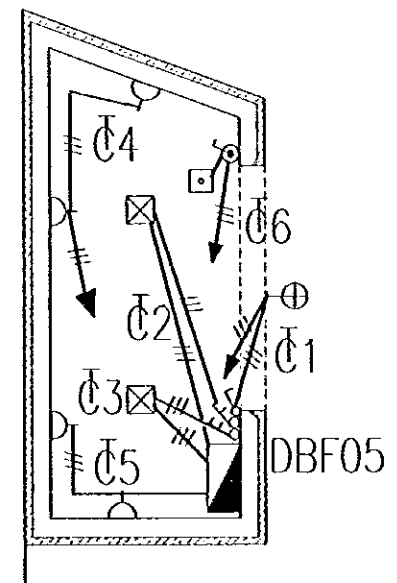
Scale: 1:50 Drawing No.: RBT.B12

Note:
• This detailed design has been executed by a team of consultants as shown below in accordance with the agreement between Japan International Cooperation Agency (JICA) and JICA Study Team.
• The copyright of this drawing rests with JICA.

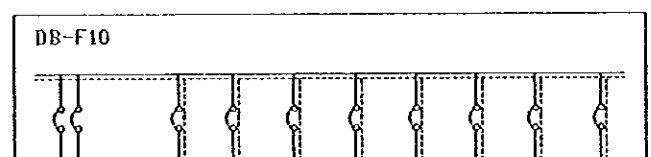
- LEGEND**
- ⊕ EL. OUTLET FOR SIGN BOARD
 - ⊠ CEILING JUNCTION BOX FOR FUTURE LIGHTING
 - 1X26VPL LAMP LUMINAIRE WITH CAST AL. BASE & FROSTED GLASS WEAR COVER & PROTECTION GUARD TO IP65 SIMILAR TO SIMES S 6531 OR EQUAL
 - 1X36V. FL. FIXTURE CORROSION RESISTANCE BODY TO IP65 SIMILAR TO THORN LUEZ 236 OR EQUAL
 - ⊠ TOILET POWER SUPPLY BOX INSTALLED AT 2.4M FFL. COMPRISING 10ASPNMCB
 - ⊠ 13A. SWITCHED SOCKET OUTLET
 - ⊠ POWER JUNCTION BOX AT H.L. FOR A.C. UNIT
 - ⌘ TWO GANG, ONE WAY SWITCH
 - ⌘ ONE GANG, ONE WAY SWITCH
 - ⌘ 20A. D. POLE SWITCH WITH PILOT LIGHT
 - ▭ DISTRIBUTION BOARD
 - ▭ 2X36W. CORROSION F2 RESISTANCE BODY OF REINFORCED FIBER GLASS TO IP54 SIMILAR TO THORN OR EQUAL



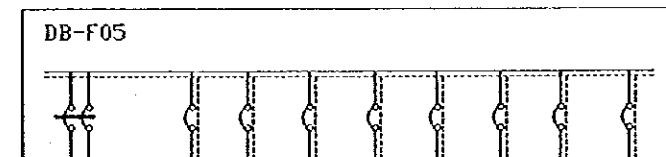
SHOP TYPE F4- DETAIL
FOR SHOP F-10



SHOP TYPE F1- DETAIL
FOR SHOP F-05



CIRCUIT NO.	MAIN	1	2	3	4	5	6	7	8
RATING AMPS	30A SPNMCB	10	10	10	15	15	20	15	15
WIRE SIZE	3X10mm ² pvc/pvc	3X2.5	3X2.5	3X2.5	3X4	3X4	3X4	-	-
CONDUIT φmm	PARTON CT. PART. 32#	20#	20#	20#	20#	20#	20#	20#	20#
LOAD TYPE	SHOP TYPE F4	LIGHT	LIGHT	LIGHT	SOCKET	SOCKET	A-C SUPPLY	SPARE	SPARE
LOAD W	4400	600	600	600	400	400	1800	-	-



CIRCUIT NO.	MAIN	1	2	3	4	5	6	7	8
RATING AMPS	40A SPN	10	10	10	15	15	20	15	15
WIRE SIZE	3X10mm ² pvc/pvc in CABLE 1X25 Bond	3X2.5	3X2.5	3X2.5	3X4	3X4	3X4	-	-
CONDUIT φmm	PARTON CT. PART. 32#	20#	20#	20#	20#	20#	20#	20#	20#
LOAD TYPE	SHOP TYPE F1	LIGHT	LIGHT	LIGHT	SOCKET	SOCKET	A-C SUPPLY	SPARE	SPARE
LOAD W	5000	600	600	600	400	400	2400	-	-

SCALE 1: 50

Designed by:
Japan International Cooperation Agency (JICA)
JICA Study Team:
Joint Venture of Pacific Consultants International and Yamasita Sekkei Inc.
Subcontracted Local Consultant:
TIBAH Consultants
Architects, Engineers

Raghadan Bus Terminal
Drawing Title:
FIRST FLOOR ELECTRICAL
TYPICAL DETAILS

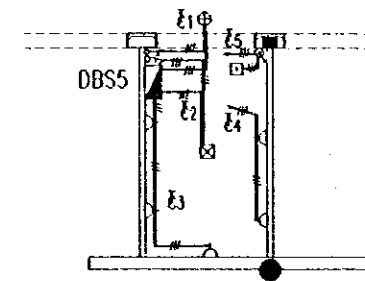
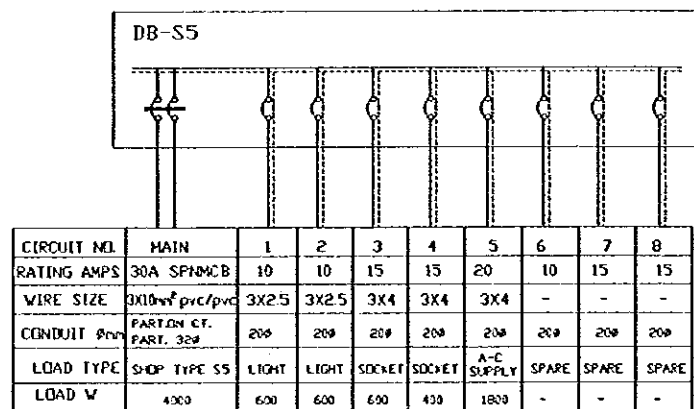
Scale: 1: 50
Drawing No: RBT.B13

Note:

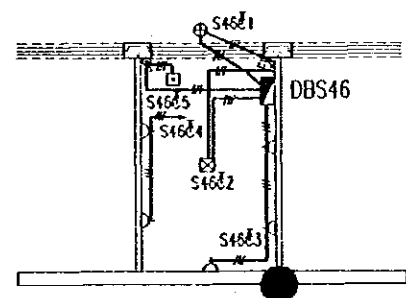
- This detailed design has been executed by a team of consultants as shown below in accordance with the agreement between Japan International Cooperation Agency (JICA) and JICA Study Team.
- The copyright of this drawing rests with JICA.

LEGEND

- ⊕ EL. OUTLET FOR SIGN BOARD
- CEILING LIGHT POINT WITH 100W. GLS LAMP & PENDANT HOLDER
- ⊗ CEILING JUNCTION BOX FOR FUTURE LIGHTING
- △ 13A. SWITCHED SOCKET OUTLET
- POWER JUNCTION BOX AT H.L. FOR A.C. UNIT
- ⋈ TWO GANG, ONE WAY SWITCH
- ⋉ ONE GANG, ONE WAY SWITCH
- ⊕ 20A. D. POLE SWITCH WITH PILOT LIGHT
- ▣ DISTRIBUTION BOARD

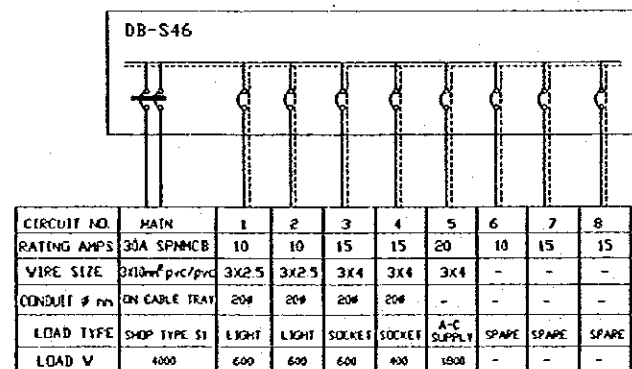


SHOP TYPE S5- DETAIL
FOR SHOPS(S4-S11,S17,S18,S25)



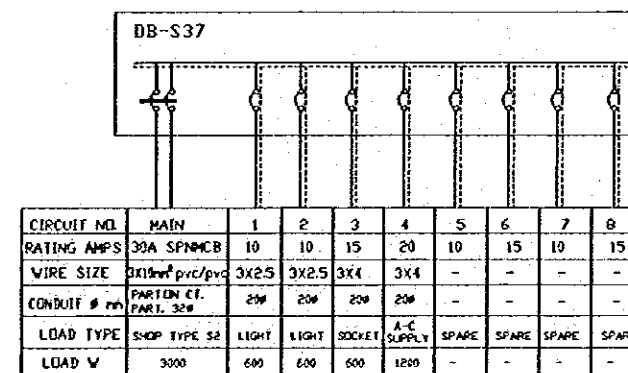
SHOP TYPE S1- DETAIL
FOR SHOPS(S45-S70, S72,S73,S74)

1: 100



SHOP TYPE S2- DETAIL
FOR SHOPS(S37,S39)

1: 50



Designed by:

Japan International Cooperation Agency (JICA)

JICA Study Team:

Joint Venture of
Pacific Consultants International and
Yamashita Sekkei Inc.

Subcontracted Local Consultant:

TBAH Consultants
Architects, Engineers

Raghadan Bus Terminal

Drawing Title:

SECOND FLOOR ELECTRICAL
TYPICAL DETAILS

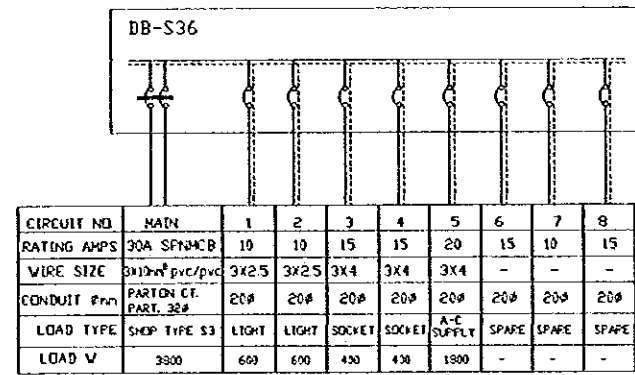
Scale:
AS SHOWN

Drawing No.:
RBT.B14

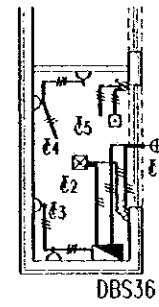
Note:
• This detailed design has been executed by a team of consultants as shown below in accordance with the agreement between Japan International Cooperation Agency (JICA) and JICA Study Team.
• The copyright of this drawing rests with JICA.

LEGEND

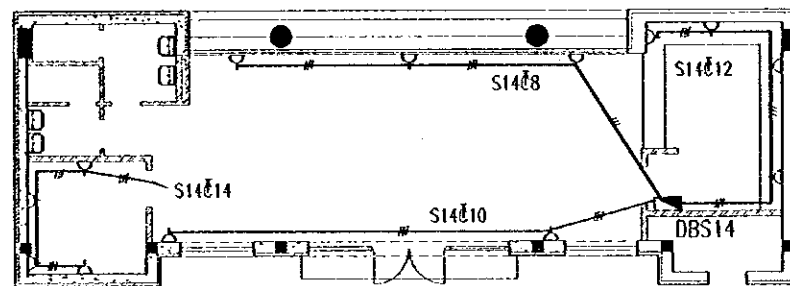
- ⊕ EL. OUTLET FOR SIGN BOARD
- CEILING LIGHT POINT WITH 100W. GLS LAMP & PENDANT HOLDER
- ⊠ CEILING JUNCTION BOX FOR FUTURE LIGHTING
- △ 13A. SWITCHED SOCKET OUTLET
- ⊞ POWER JUNCTION BOX AT H.L. FOR A.C. UNIT
- ⊗ TWO GANG, ONE WAY SWITCH
- ⊘ ONE GANG, ONE WAY SWITCH
- ⊕ 20A. D.P.OLE SWITCH WITH PILOTT LIGHT
- ▣ DISTRIBUTION BOARD



CIRCUIT NO.	MAIN	1	2	3	4	5	6	7	8
RATING AMPS	30A SPNMCB	10	10	15	15	20	15	10	15
WIRE SIZE	3x10mm ² pvc/pvc	3x2.5	3x2.5	3x4	3x4	3x4	-	-	-
CONDUIT # mm	PARTON CT. PART. 32#	20#	20#	20#	20#	20#	20#	20#	20#
LOAD TYPE	SHOP TYPE S3	LIGHT	LIGHT	SOCKET	SOCKET	A-C SUPPLY	SPACE	SPACE	SPACE
LOAD W	3300	600	600	450	450	1800	-	-	-

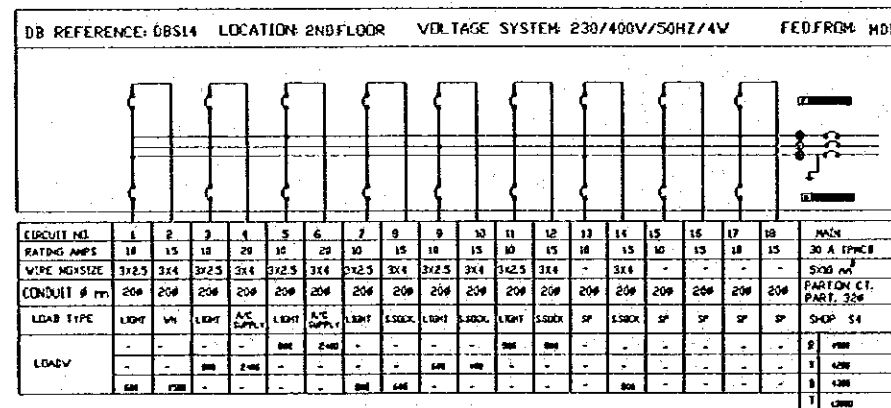
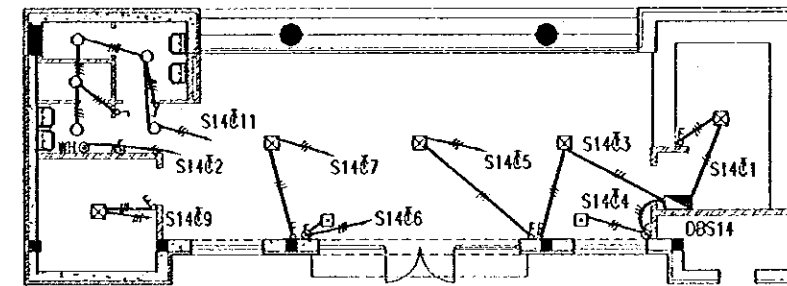


SHOP TYPE S3- DETAIL
FOR SHOPSS (S36,S40,S41,S42)



SHOP TYPE S4- DETAIL
FOR SHOPS (S14,S22,S27,S34)

1: 100

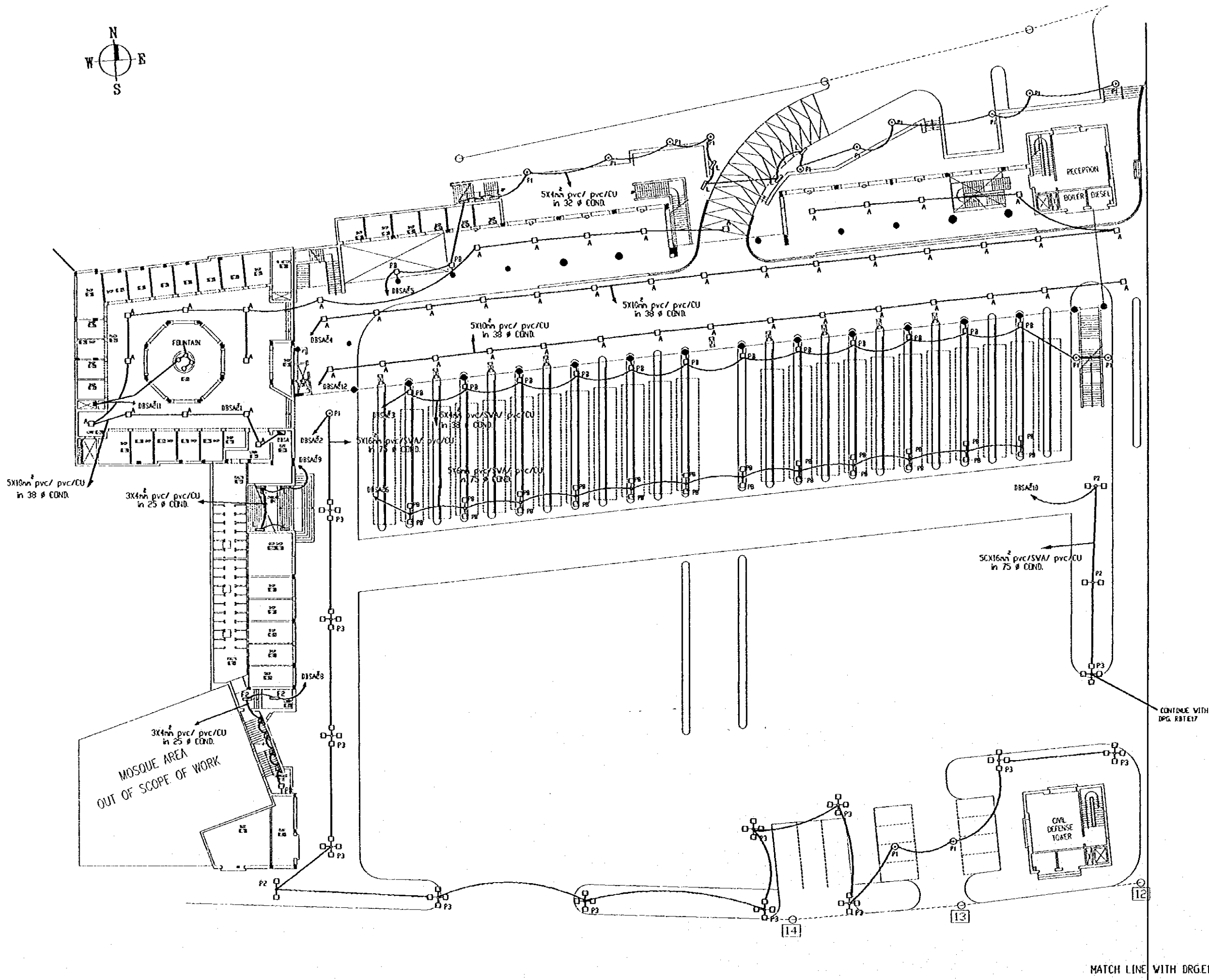
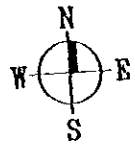


Designed by:
Japan International Cooperation Agency (JICA)
JICA Study Team:
Joint Venture of Pacific Consultants International and Yamasita Sekkei Inc.

Subcontracted Local Consultant:
TBAH Consultants Architects, Engineers

Raghadan Bus Terminal
Drawing Title:
SECOND FLOOR ELECTRICAL TYPICAL DETAILS

Scale: 1:100 Drawing No: RBT.E15



Tourism Sector Development Project
in the Hashemite Kingdom of Jordan

The Government of
the Hashemite Kingdom of Jordan
The Ministry of Tourism and Antiquities
The Ministry of Planning

Sub-Project:
Amman Downtown
Tourist Zone Development

Note:
• This detailed design has been executed by a team of consultants as shown below in accordance with the agreement between Japan International Cooperation Agency (JICA) and JICA Study Team.
• The copyright of this drawing rests with JICA.

Designed by:
Japan International Cooperation Agency (JICA)

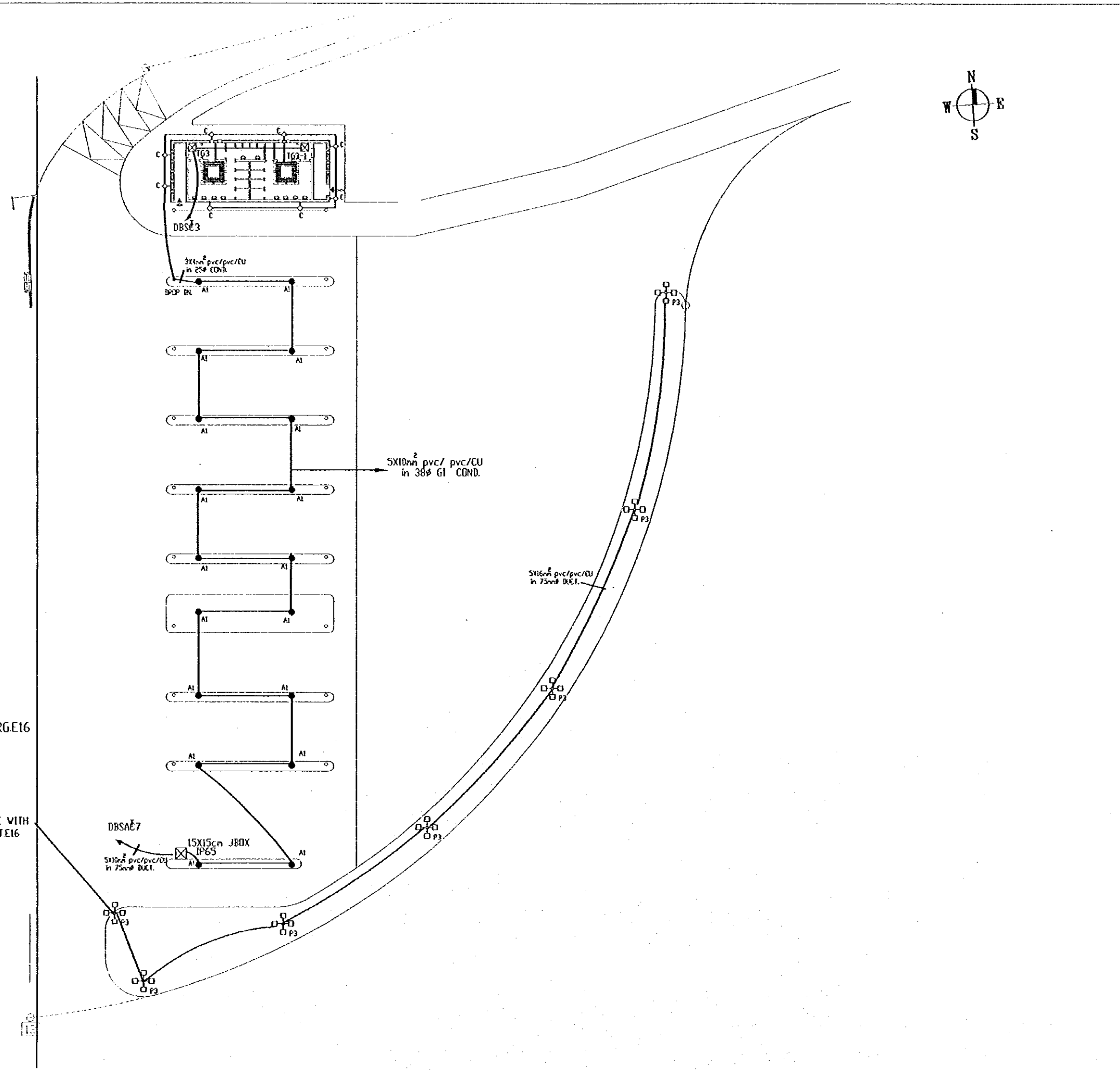
JICA Study Team:
Joint Venture of
Pacific Consultants International and
Yamashita Setkoi Inc.

Subcontracted Local Consultant:
TBAH Consultants
Architects, Engineers

Raghadan Bus Terminal

Drawing Title:
GROUND FLOOR AREA
LIGHTING LAYOUT
ZONE 3+4+5+6+7

Scale: 1:250
Drawing No.: RBT/E16



Tourism Sector Development Project
in the Hashemite Kingdom of Jordan

The Government of
the Hashemite Kingdom of Jordan
The Ministry of Tourism and Antiquities
The Ministry of Planning

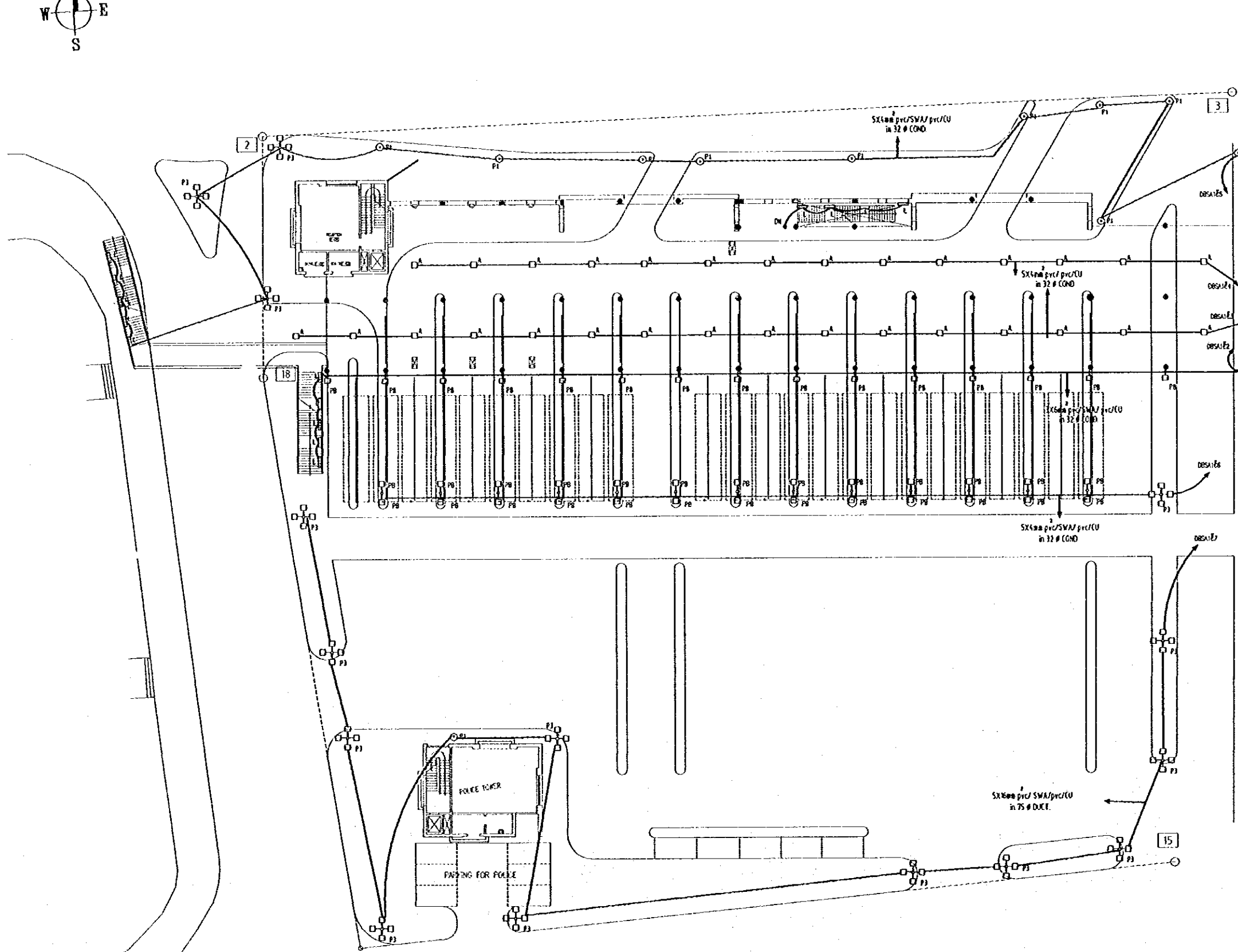
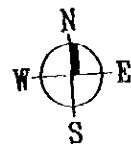
Sub-Project:
Amman Downtown
Tourist Zone Development

Note:
• This detailed design has been executed by a team of consultants as shown below in accordance with the agreement between Japan International Cooperation Agency (JICA) and JICA Study Team.
• The copyright of this drawing rests with JICA.

Designed by:
Japan International Cooperation Agency (JICA)
JICA Study Team:
Joint Venture of Pacific Consultants International and Yamato Sekkel Inc.
Subcontracted Local Consultant:
TIBAH Consultants Architects, Engineers

Raghadan Bus Terminal
Drawing Title:
GROUND FLOOR AREA
LIGHTING LAYOUT
ZONE 9+10

Scale: 1:250
Drawing No.: RBT.E17



Tourism Sector Development Project
in the Hashemite Kingdom of Jordan

The Government of
the Hashemite Kingdom of Jordan
The Ministry of Tourism and Antiquities
The Ministry of Planning

Sub-Project:
Amman Downtown
Tourist Zone Development

Note:
• This detailed design has been executed by a team of consultants as shown below in accordance with the agreement between Japan International Cooperation Agency (JICA) and JICA Study Team.
• The copyright of this drawing rests with JICA.

Designed by:
Japan International Cooperation Agency (JICA)
JICA Study Team:
Joint Venture of Pacific Consultants International and Yamashita Sekkei Inc.
Subcontracted Local Consultant:
TIBAH Consultants Architects, Engineers

Raghadan Bus Terminal
Drawing Title:
FIRST FLOOR AREA
LIGHTING LAYOUT
ZONE 1+2+8

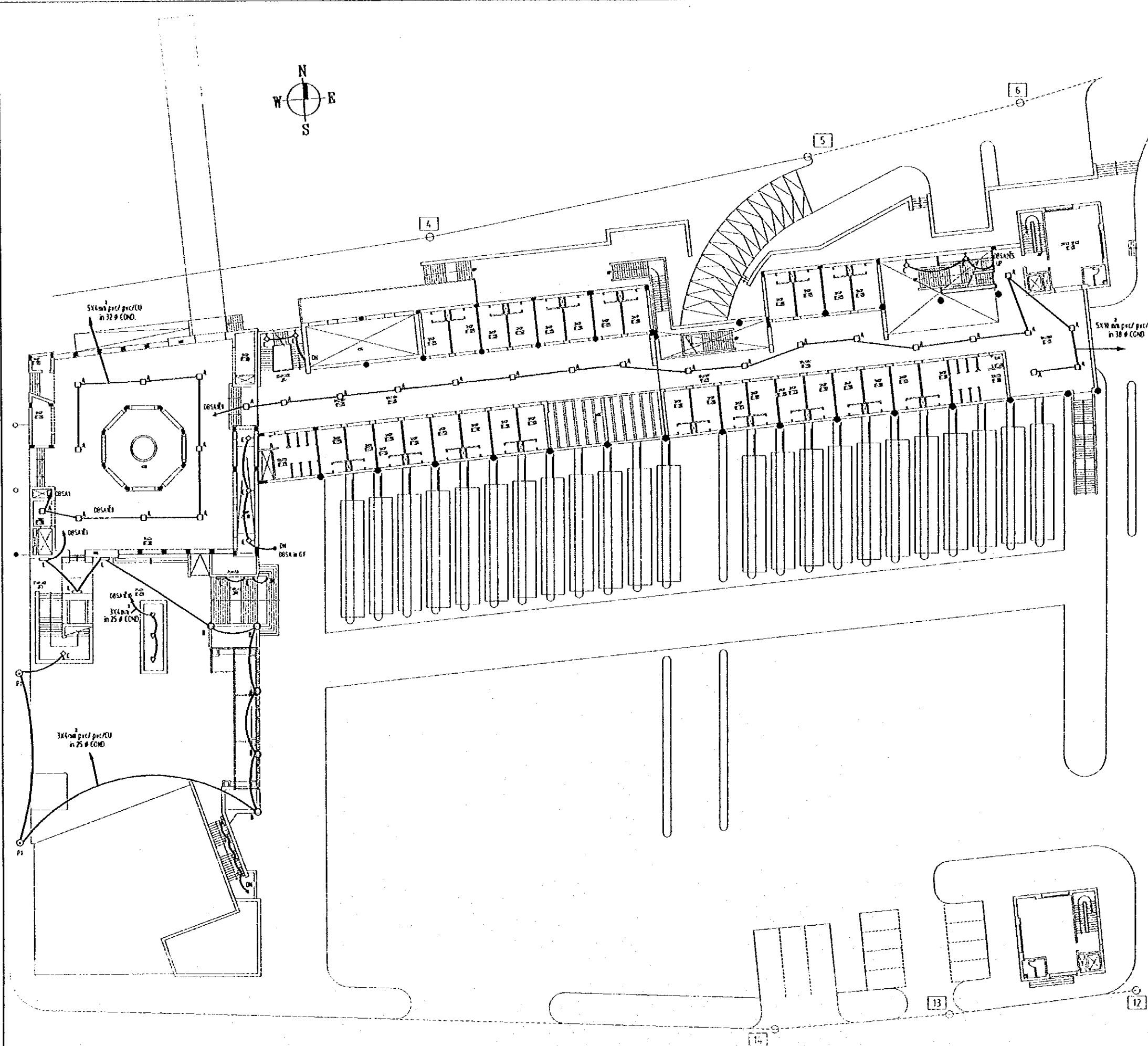
Scale: 1:250
Drawing No.: RBT-E18

Tourism Sector Development Project
in the Hashemite Kingdom of Jordan

The Government of
the Hashemite Kingdom of Jordan
The Ministry of Tourism and Antiquities
The Ministry of Planning

Sub-Project:
Amman Downtown
Tourist Zone Development

Note:
This detailed design has been executed by a team
of consultants as shown below in accordance with
the agreement between Japan International
Cooperation Agency (JICA) and JICA Study
Team.
The copyright of this drawing rests with JICA.



MATCH LINE WITH DRG E18

Designed by:
Japan International Cooperation
Agency (JICA)
JICA Study Team:
Joint Venture of
Pacific Consultants International and
Yamasa Sekkei Inc.
Subcontracted Local Consultant:
TIBAH Consultants
Architects, Engineers

Raghadan Bus Terminal

Drawing Title:
FIRST FLOOR AREA
LIGHTING LAYOUT
ZONE 3+4+5+6+7

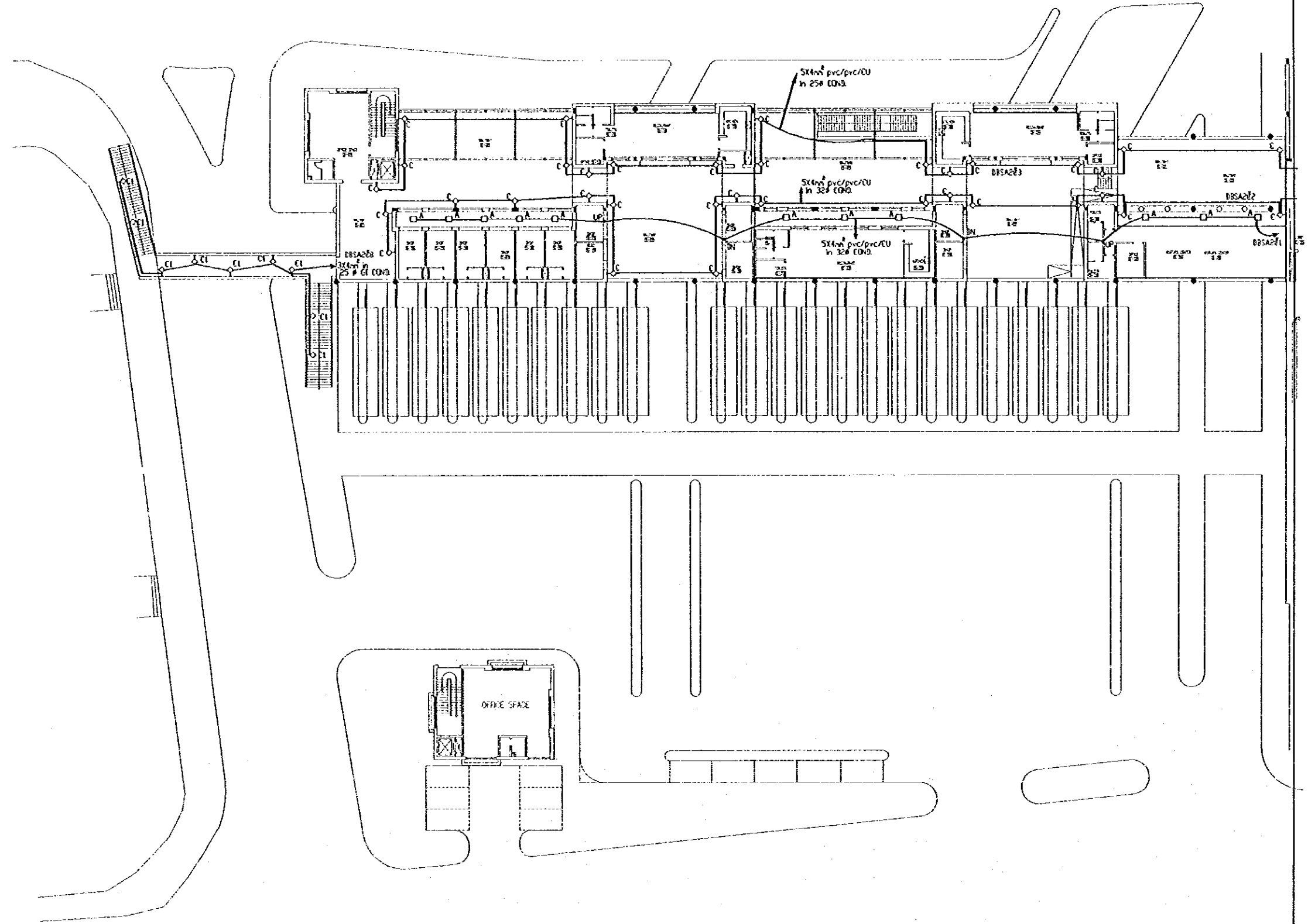
Scale: 1:250
Drawing No.: RBT-E19

Note:
This detailed design has been executed by a team
of consultants as shown below in accordance with
the agreement between Japan International
Cooperation Agency (JICA) and JICA Study
Team.
The copyright of this drawing rests with JICA.

Designed by:
Japan International Cooperation
Agency (JICA)
JICA Study Team:
Joint Venture of
Pacific Consultants International and
Yamashita Sekkei Inc.
Subcontracted Local Consultant:
TIBAH Consultants
Architects, Engineers

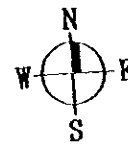
Raghadan Bus Terminal
Drawing Title:
SECOND FLOOR AREA
LIGHTING LAYOUT
ZONE 1+2+8

Scale: 1:250
Drawing No.: RBT•E20

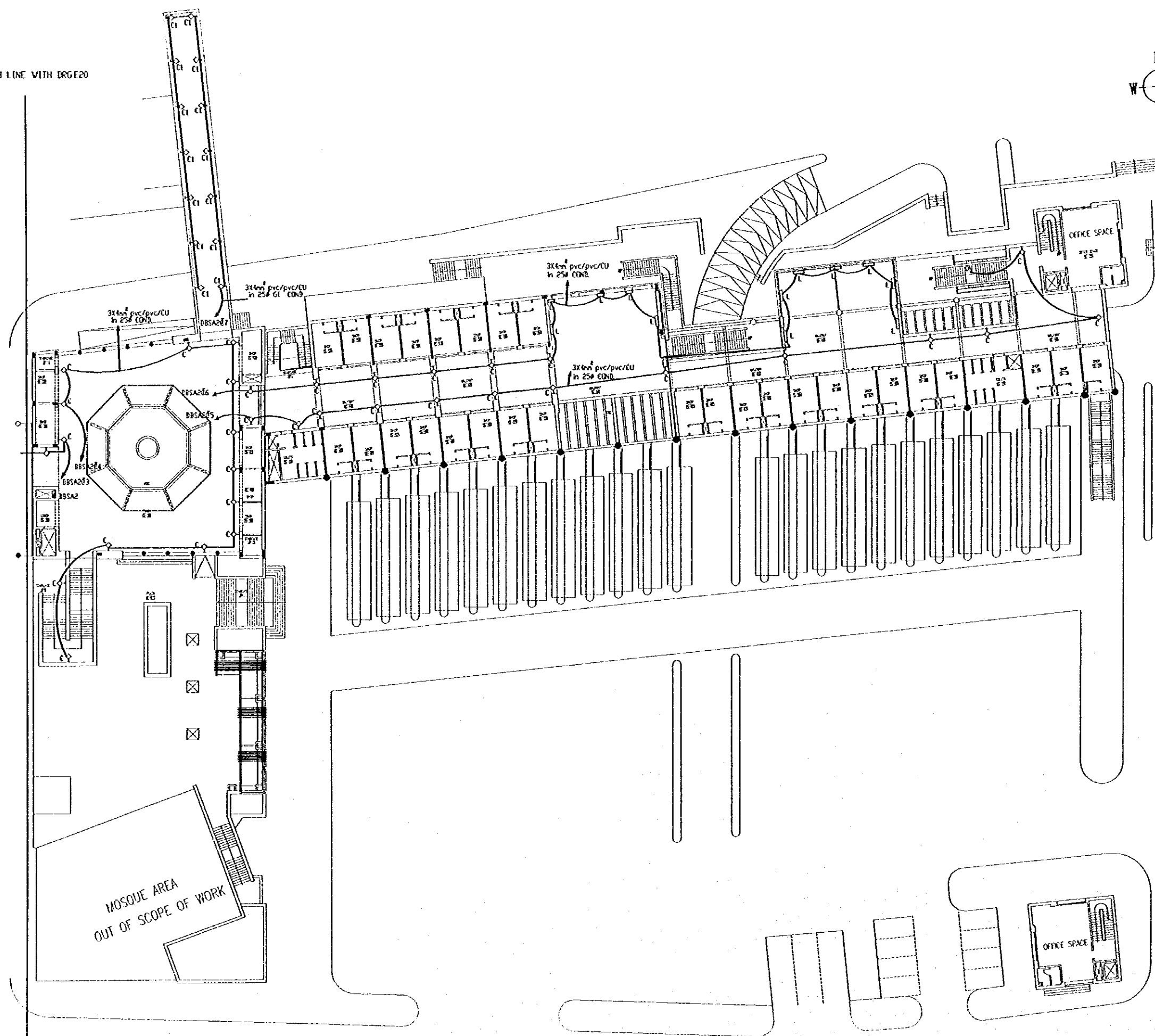


MATCH LINE WITH DRGE21

Note:
• This detailed design has been executed by a team
of consultants as shown below in accordance with
the agreement between Japan International
Cooperation Agency (JICA) and JICA Study
Team.
• The copyright of this drawing rests with JICA.



MATCH LINE WITH BRGE20



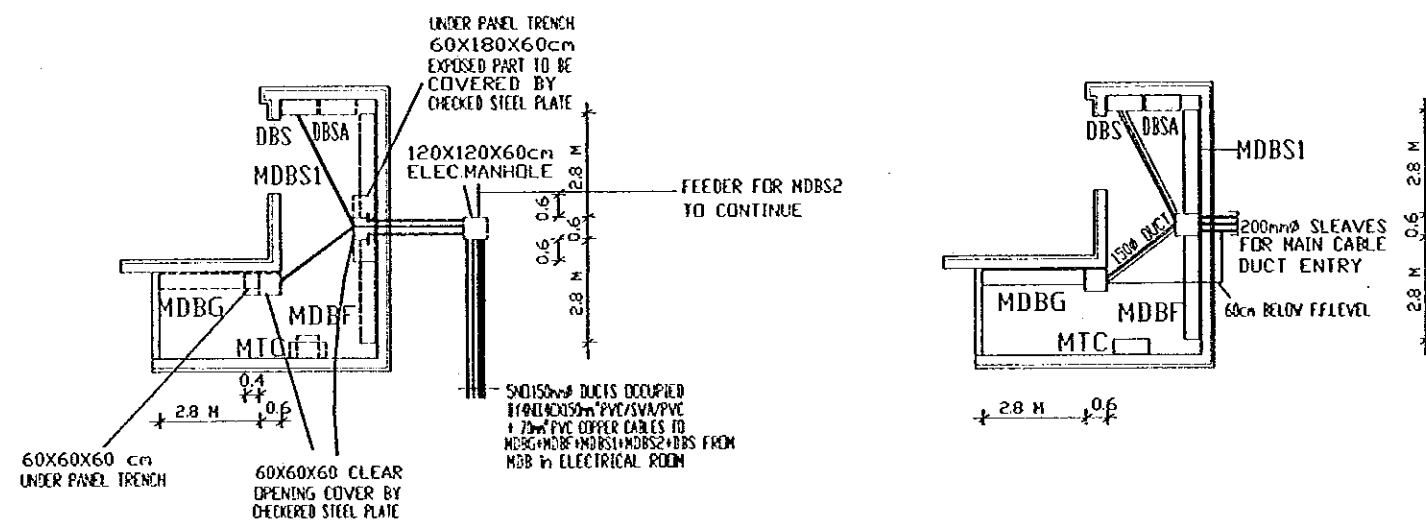
Designed by:
Japan International Cooperation
Agency (JICA)
JICA Study Team:
Joint Venture of
Pacific Consultants International and
Yamashita Sekkel Inc.
Subcontracted Local Consultant:
TBAH Consultants
Architects, Engineers

Raghadan Bus Terminal

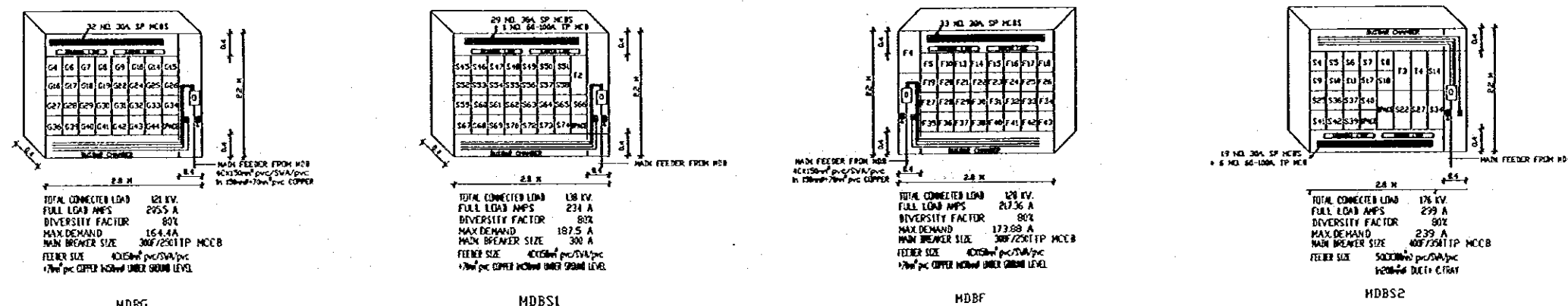
Drawing Title:
**SECOND FLOOR AREA
LIGHTING LAYOUT
ZONE 3+4+5+6+7**

Scale: 1:250
Drawing No.: RBT-E21

Note:
• This detailed design has been executed by a team of consultants as shown below in accordance with the agreement between Japan International Cooperation Agency (JICA) and JICA Study Team.
• The copyright of this drawing rests with JICA.



ELECTRICAL ROOM DETAILS
SCALE 1:100



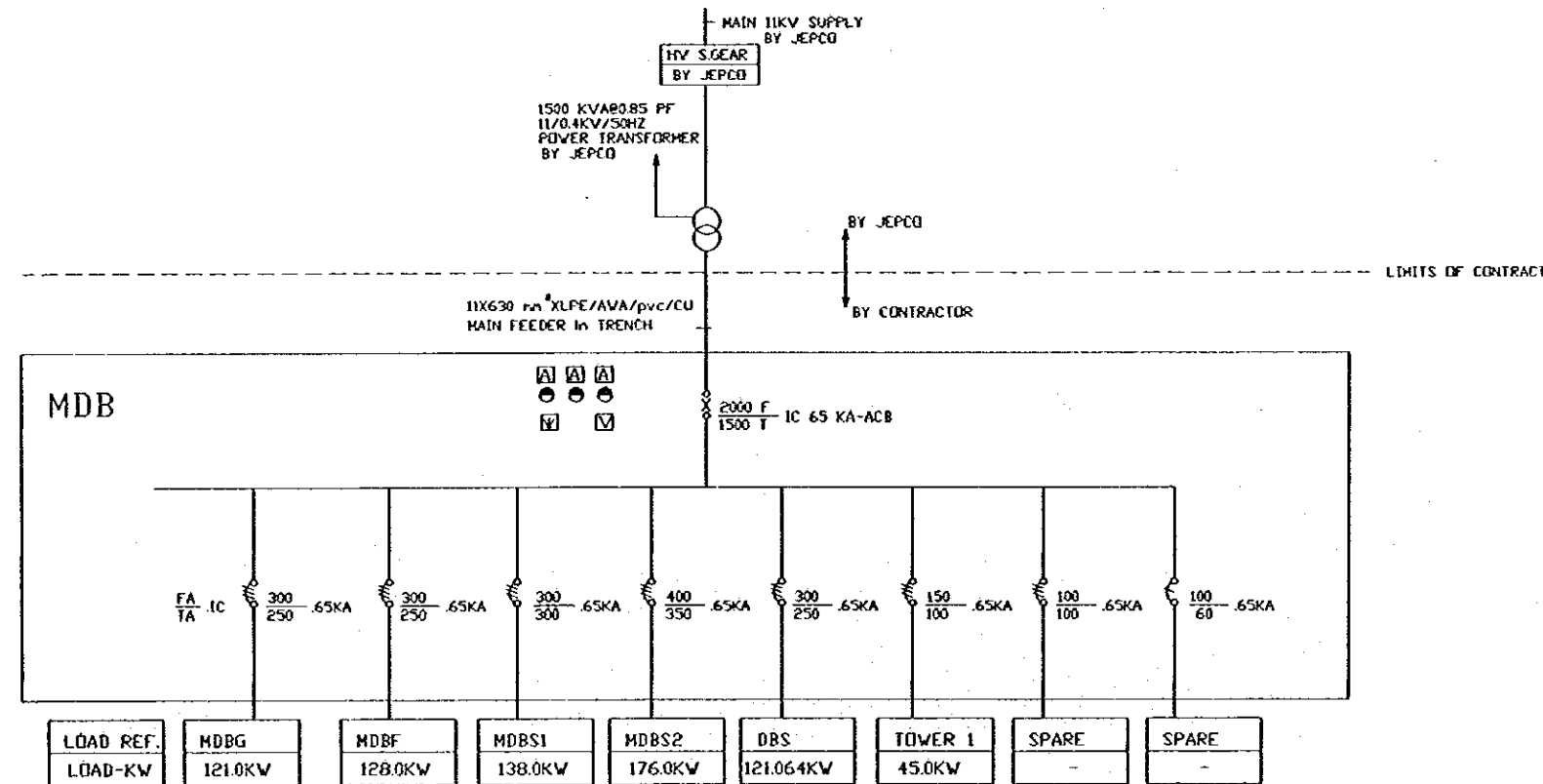
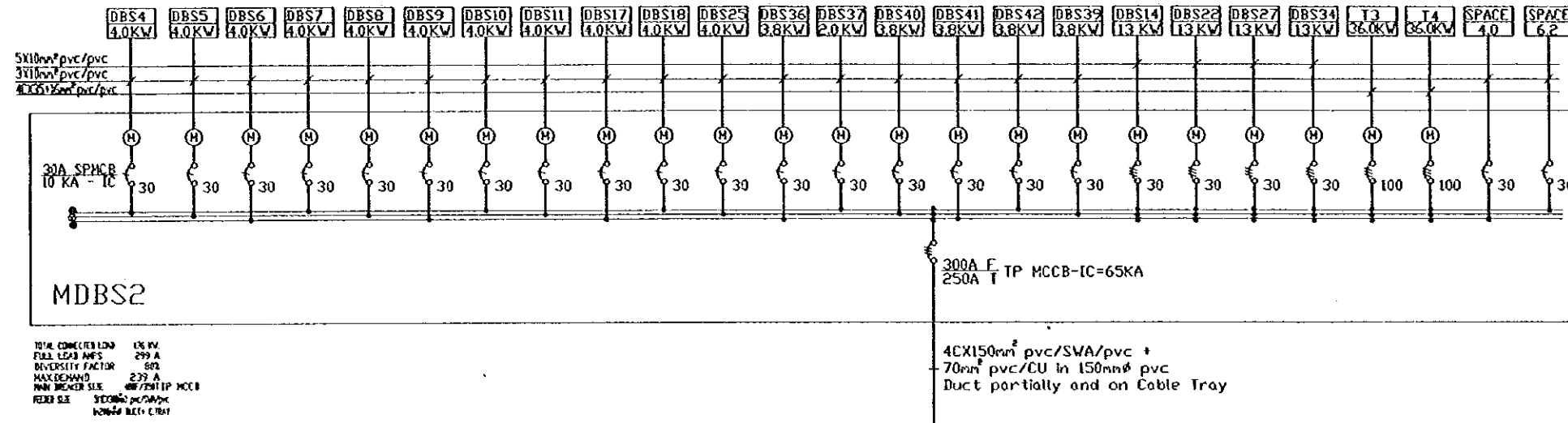
MAIN METERING BOARDS DETAILS
SCALE 1:50

Designed by:
Japan International Cooperation Agency (JICA)
JICA Study Team:
Joint Venture of
Pacific Consultants International and
Yamasato Sekkel Inc.
Subcontracted Local Consultant:
TBAH Consultants
Architects, Engineers

Raghadan Bus Terminal
Drawing Title:
ELECT ROOM AND
MDBS DETAILS

Scale: AS SHOWN
Drawing No: RBT_E22

Note:
• This detailed design has been executed by a team of consultants as shown below in accordance with the agreement between Japan International Cooperation Agency (JICA) and JICA Study Team.
• The copyright of this drawing rests with JICA.



MDB DESIGNATION:-

TOTAL CONNECTED LOAD = 7290 KW
FULL LOAD AMPS @ 0.85 PF = 1238 A
DIVERSITY = 90%
DEMAND = 1114.15 A
MAIN SIZE = 2000/1500 ATP ACB/IC-65 KA
FEEDER SIZE = 11X10X630 mm XLPE/AVA/pvc/pvc/CU IN TRENCH

REMARKS:-

- 1) PANEL (MDB) SHALL BE FORM '4'
- 2) ALL IN COMING AND OUT GOING FEEDERS ARE BOTTOM ENTRY
- 3) PANEL SHALL BE FREE STANDING ON A TRENCH WITH NECESSARY SUPPORTING STEEL CHANNEL AND TRENCH COVER BY CHECKERED STEEL PLATE

Designed by:
Japan International Cooperation Agency (JICA)

JICA Study Team:
Joint Venture of Pacific Consultants International and Yamashita Sekkei Inc.

Subcontracted Local Consultant:

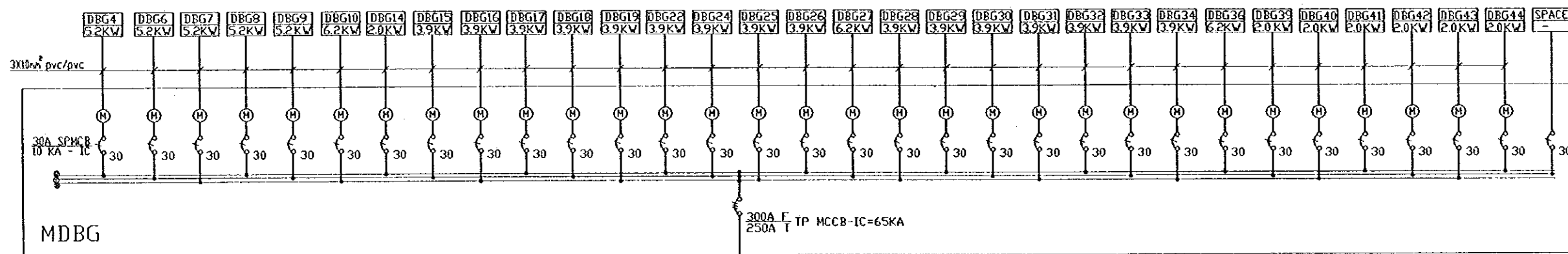
TIBAH Consultants
Architects, Engineers

Raghadan Bus Terminal

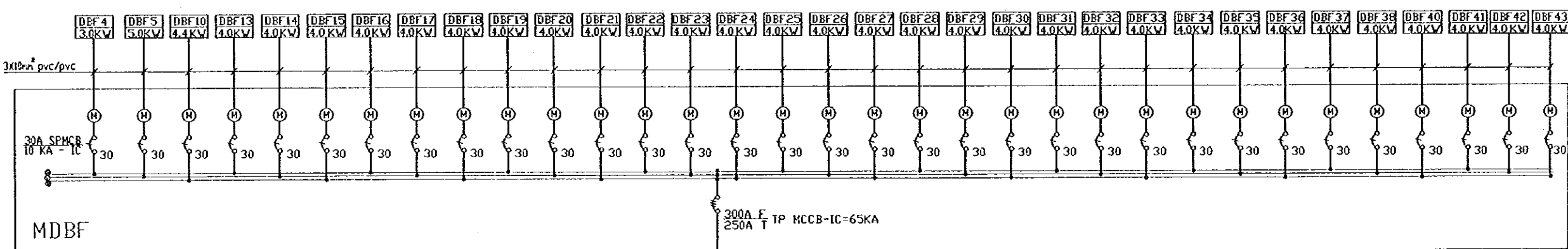
Drawing Title:
MAIN DBS SCHEMATICS

Scale: NTS Drawing No.: RBT.B23

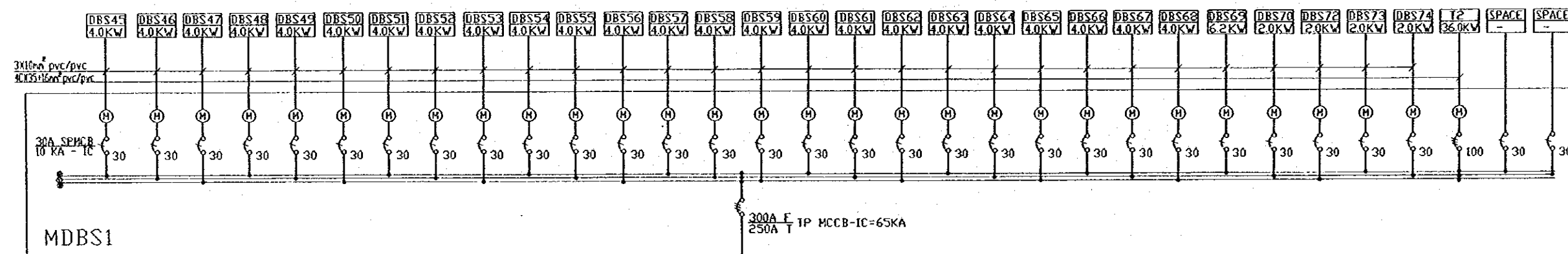
Note:
• This detailed design has been executed by a team of consultants as shown below in accordance with the agreement between Japan International Cooperation Agency (JICA) and JICA Study Team.
• The copyright of this drawing rests with JICA.



TOTAL CONNECTED LOAD 25 KW
FULL LOAD AMPS 265 A
DIVERSITY FACTOR 80%
MAX DEMAND 15.4 KW
MAX BREAKER SIZE 300/250TP MCCB
FEEDER SIZE 4CX150mm² pvc/SWA/pvc + 70mm² pvc/CU in 150mmØ pvc DUCT



TOTAL CONNECTED LOAD 100 KW
FULL LOAD AMPS 2036 A
DIVERSITY FACTOR 80%
MAX DEMAND 17388 A
MAX BREAKER SIZE 300/250TP MCCB
FEEDER SIZE 4CX150mm² pvc/SWA/pvc + 70mm² pvc/CU in 150mmØ pvc DUCT



TOTAL CONNECTED LOAD 88 KW
FULL LOAD AMPS 234 A
DIVERSITY FACTOR 80%
MAX DEMAND 1575 A
MAX BREAKER SIZE 300 A
FEEDER SIZE 4CX150mm² pvc/SWA/pvc + 70mm² pvc/CU in 150mmØ pvc DUCT

Designed by:
Japan International Cooperation Agency (JICA)
JICA Study Team:
Joint Venture of Pacific Consultants International and Yamashita Sekkei Inc.

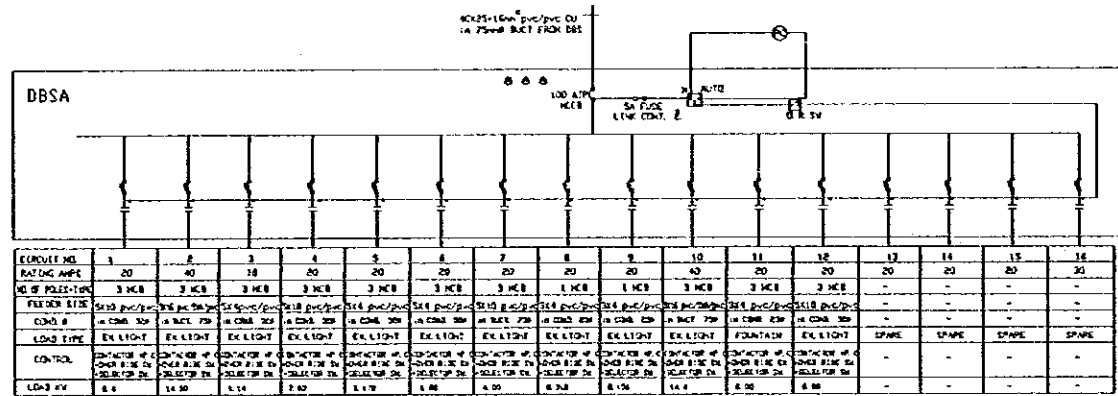
Subcontracted Local Consultant:
TIAH Consultants Architects, Engineers

Raghadan Bus Terminal

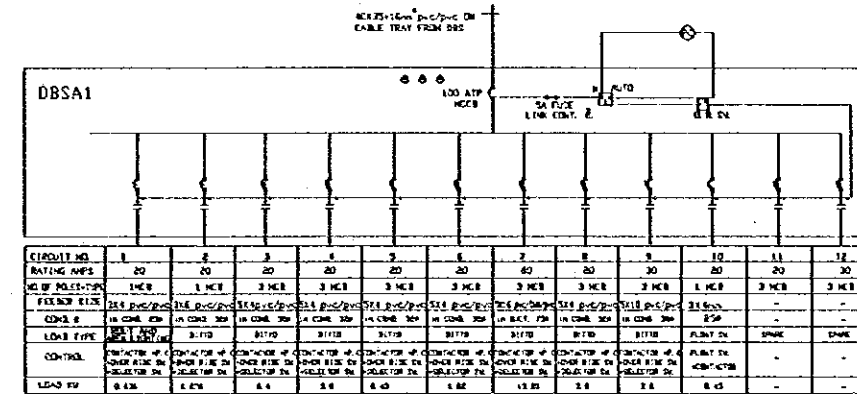
Drawing Title:
MAIN DBS SCHEMATIC

Scale: NTS Drawing No: RBT.E24

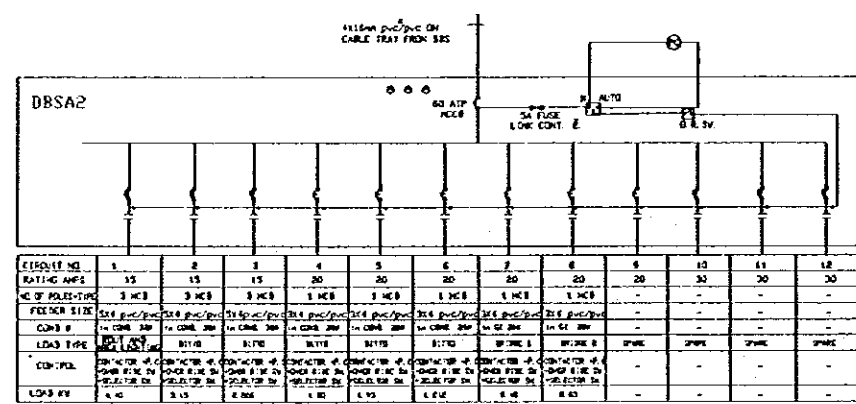
Note:
• This detailed design has been executed by a team of consultants as shown below in accordance with the agreement between Japan International Cooperation Agency (JICA) and JICA Study Team.
• The copyright of this drawing rests with JICA.



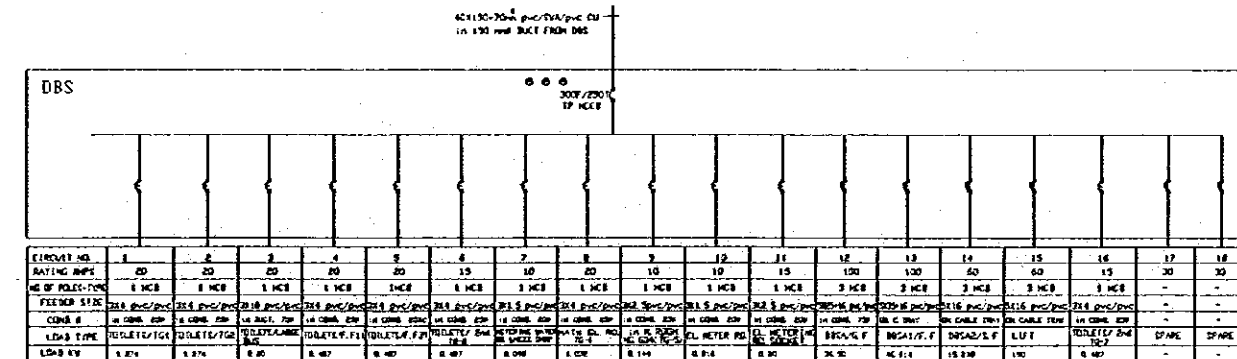
DBSA DESIGNATION -
TOTAL CONDUCTOR LOAD = 36.8 KW
FULL LOAD AMPS @ 230 V = 160 A
BONDING = 100 A
GROUND = 100 A
WTR. SIZE = 100 A
FEEDER SIZE = 40x25 PVC/PPC



DBSA1 DESIGNATION -
TOTAL CONDUCTOR LOAD = 48.0 KW
FULL LOAD AMPS @ 230 V = 208 A
BONDING = 100 A
GROUND = 100 A
WTR. SIZE = 100 A
FEEDER SIZE = 40x25 PVC/PPC



DBSA2 DESIGNATION -
TOTAL CONDUCTOR LOAD = 56.8 KW
FULL LOAD AMPS @ 230 V = 245 A
BONDING = 100 A
GROUND = 100 A
WTR. SIZE = 100 A
FEEDER SIZE = 40x25 PVC/PPC



DBS DESIGNATION -
TOTAL CONDUCTOR LOAD = 52.0 KW
FULL LOAD AMPS @ 230 V = 226 A
BONDING = 100 A
GROUND = 100 A
WTR. SIZE = 100 A
FEEDER SIZE = 40x25 PVC/PPC

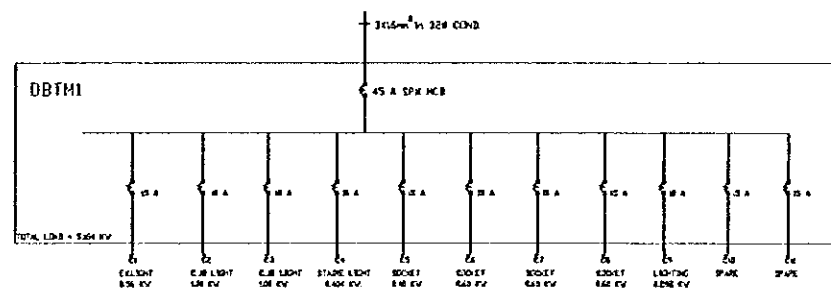
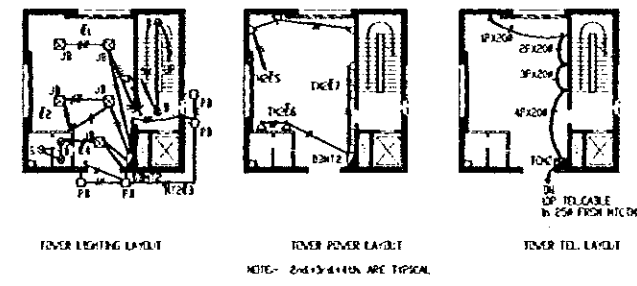
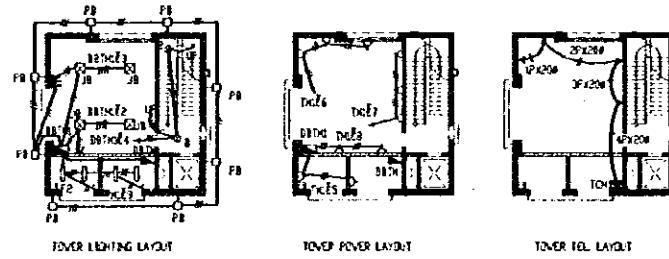
DBS - IN EL. METERING ROOM AT G. F.

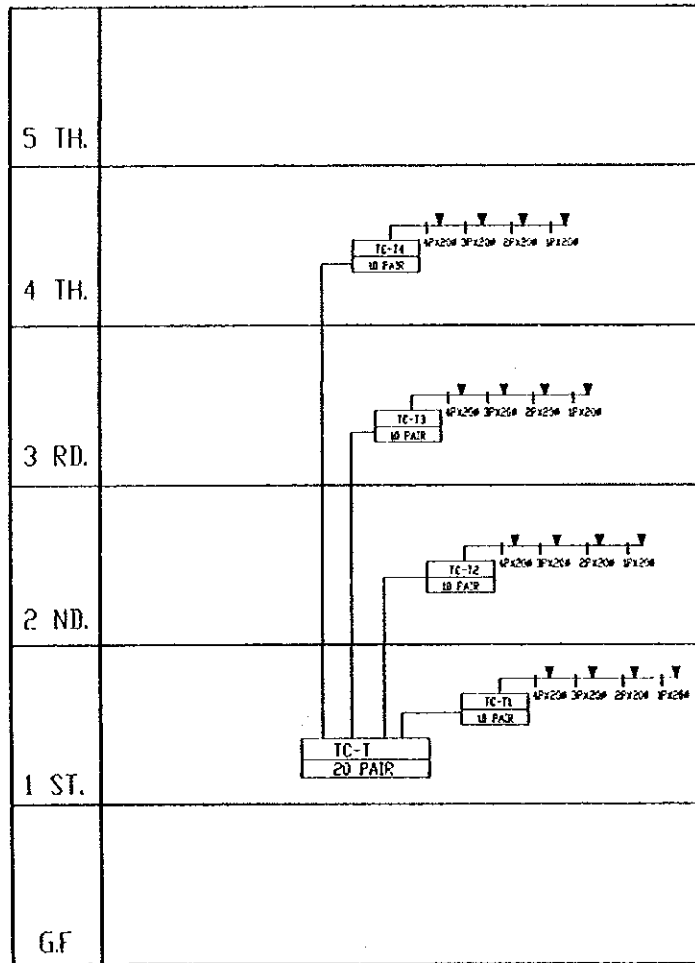
Designed by:
Japan International Cooperation Agency (JICA)
JICA Study Team:
Joint Venture of Pacific Consultants International and Yomasa Sekkei Inc.
Subcontracted Local Consultant:
TIBAH Consultants Architects, Engineers

Raghadan Bus Terminal
Drawing Title:
DB SCHEMATICS

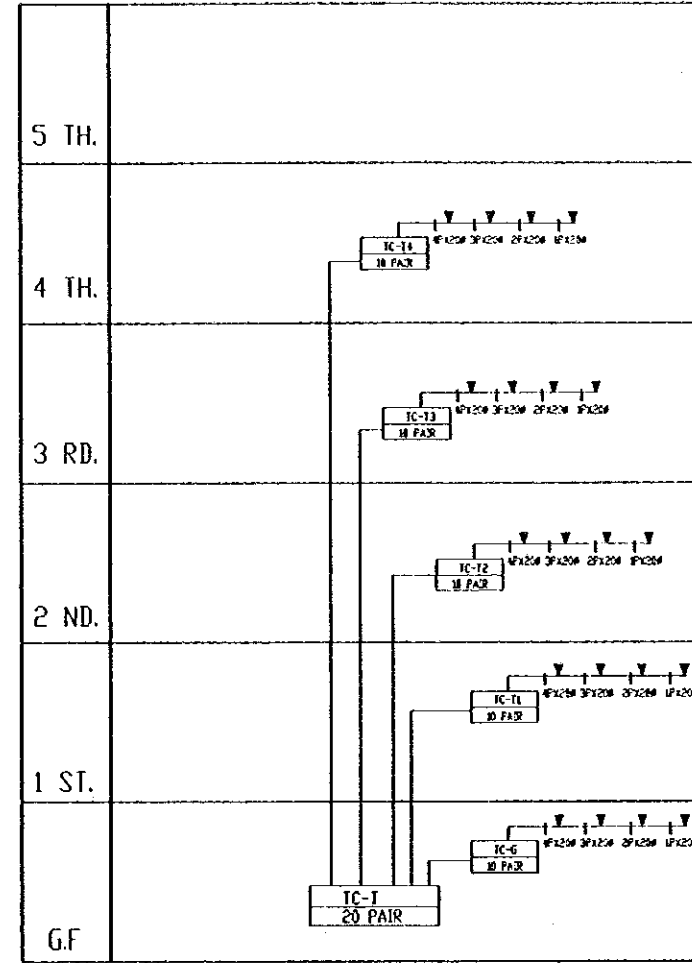
Scale: NTS
Drawing No: RBT.E25

Note:
• This detailed design has been executed by a team of
consultants as shown below in accordance with the agreement
between Japan International Cooperation Agency (JICA) and
JICA Study Team.
• The copyright of this drawing rests with JICA.

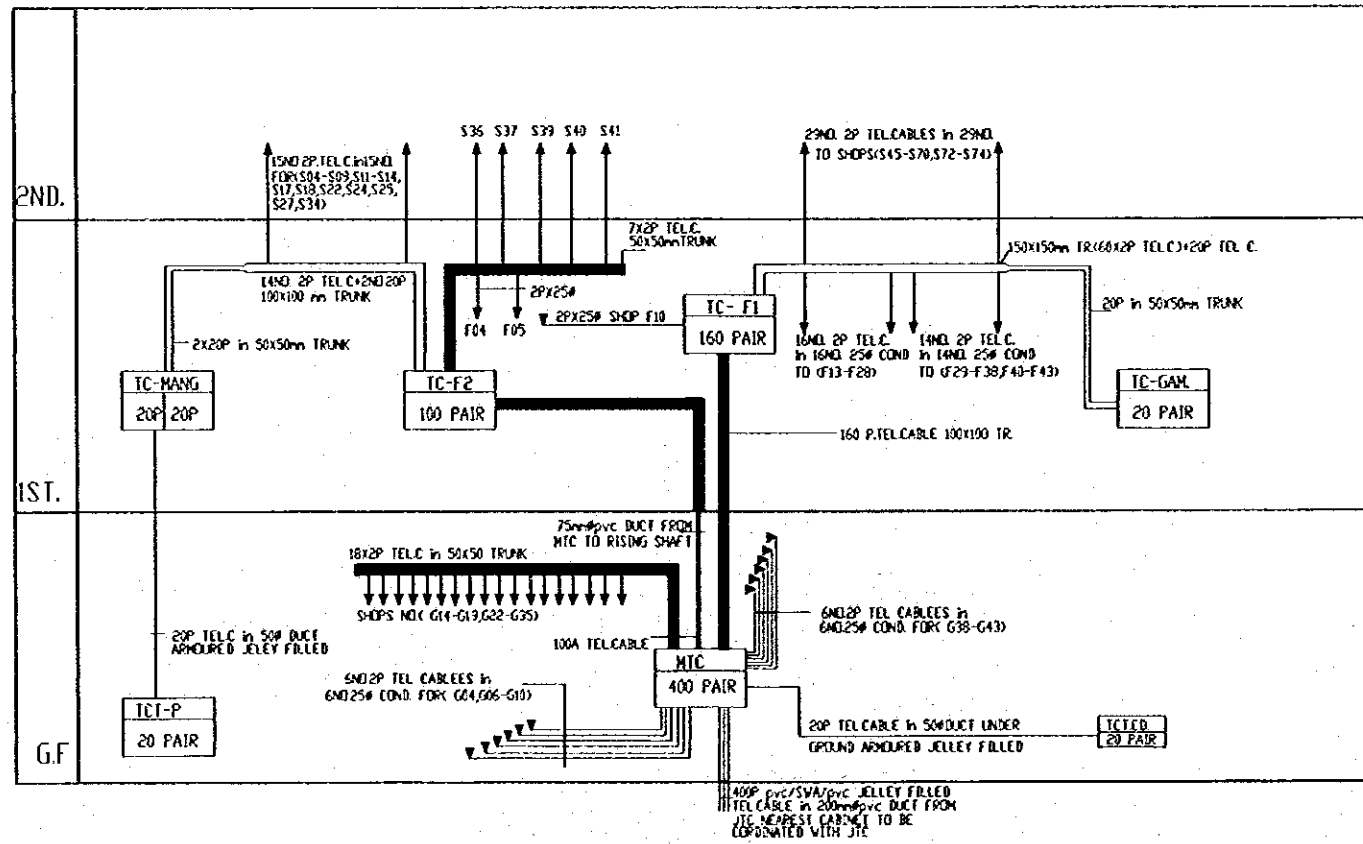




TEL. RISER DIAGRAM FOR POLICE+MANGT.TOWERS



TEL. RISER DIAGRAM FOR CD.+GAM. TOWERS



RAGHADAN MAIN RISER TEL.DIAGRAM

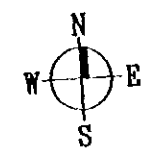
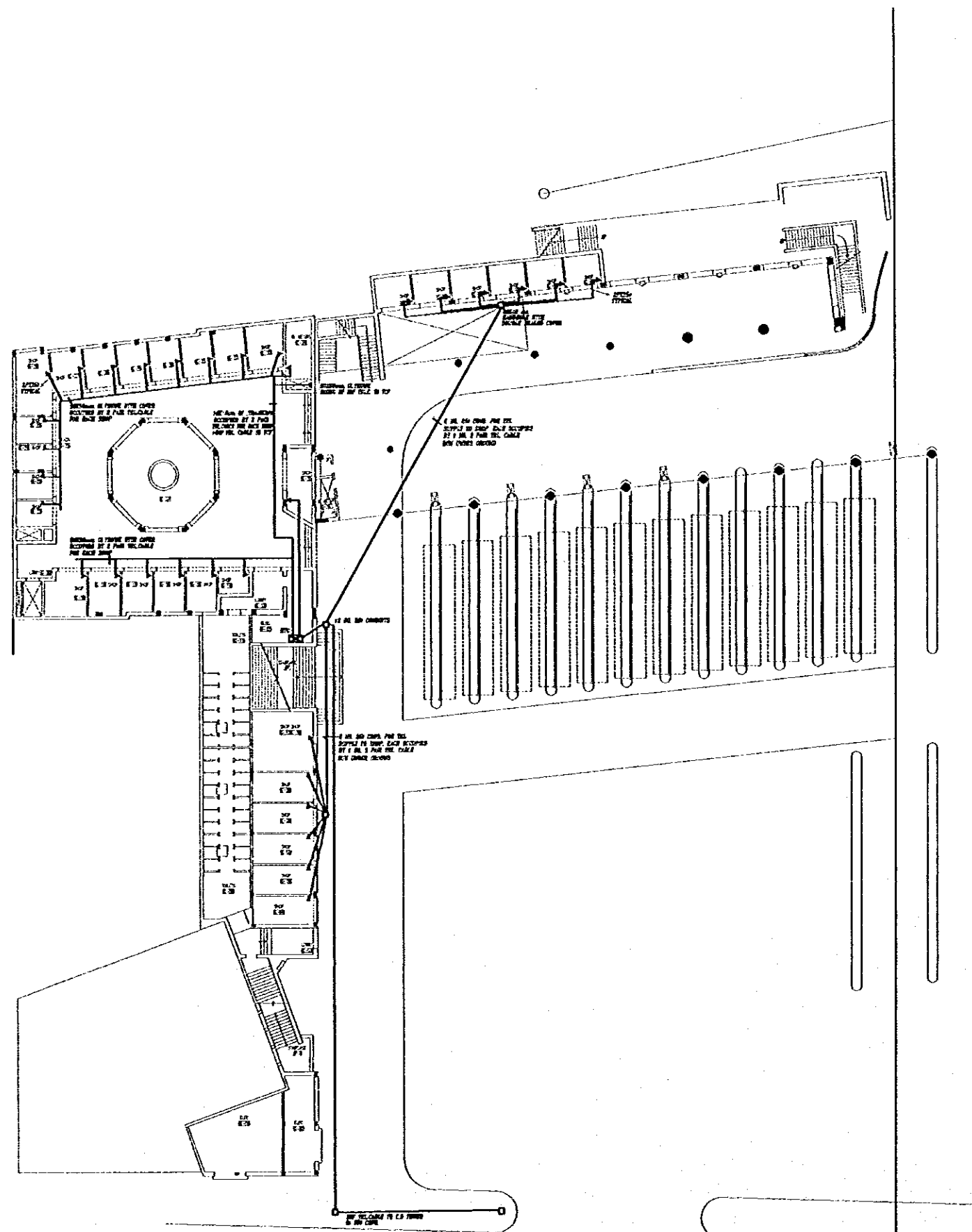
Note:
• This detailed design has been executed by a team of consultants as shown below in accordance with the agreement between Japan International Cooperation Agency (JICA) and SCA Study Team.
• The copyright of this drawing rests with JICA.

Designed by:
Japan International Cooperation Agency (JICA)
JICA Study Team:
Joint Venture of
Pacific Consultant's International and
Yamashita Sekkei Inc.
Subcontracted Local Consultant:
TIBAH Consultants
Architects, Engineers

Raghadan Bus Terminal

Drawing Title:
TELEPHONE RISER DIAGRAMMS

Scale: NTS
Drawing No.: RBT-E30



Tourism Sector Development Project
in the Hashemite Kingdom of Jordan

The Government of
the Hashemite Kingdom of Jordan
The Ministry of Tourism and Antiquities
The Ministry of Planning

Sub-Project:
Amman Downtown
Tourist Zone Development

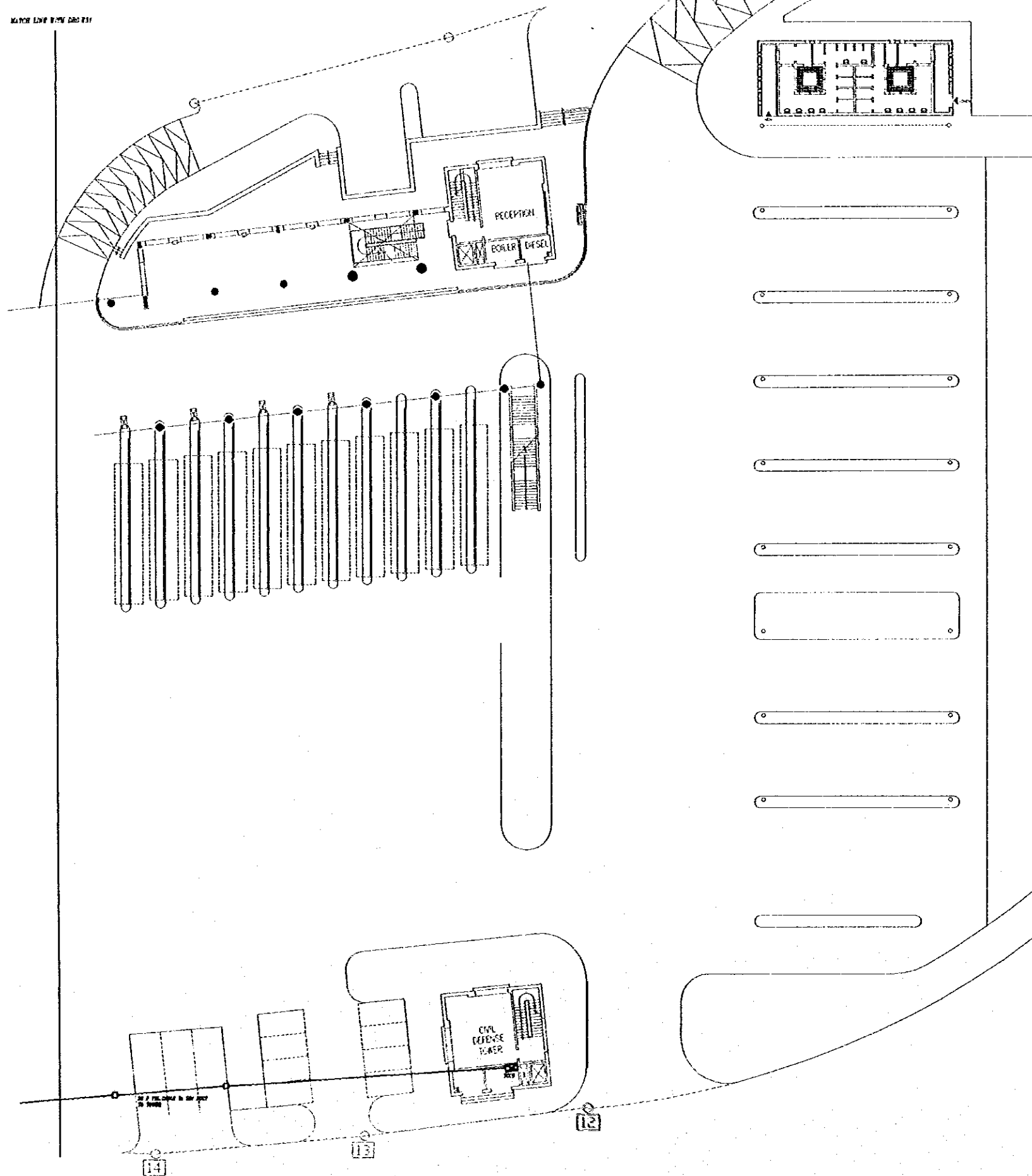
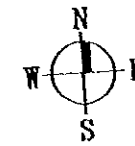
Note:
• This detailed design has been executed by a team of consultants as shown below in accordance with the agreement between Japan International Cooperation Agency (JICA) and JICA Study Team.
• The copyright of this drawing rests with JICA.

Designed by:
Japan International Cooperation Agency (JICA)
JICA Study Team:
Joint Venture of
Pacific Consultants International and
Yamasita Sekkel Inc.
Subcontracted Local Consultant:
TBAH Consultants
Architects, Engineers

Raghadan Bus Terminal
Drawing Title:
Ground Floor Tel. Layout
ZONE 3+4+6

Scale: 1:250
Drawing No: RBT#B31

MATCH LINE WITH DRAWING



Tourism Sector Development Project
in the Hashemite Kingdom of Jordan

The Government of
the Hashemite Kingdom of Jordan
The Ministry of Tourism and Antiquities
The Ministry of Planning

Sub-Project:
Amman Downtown
Tourist Zone Development

Note:
• This detailed design has been executed by a team
of consultants as shown below in accordance with
the agreement between Japan International
Cooperation Agency (JICA) and JICA Study
Team.
• The copyright of this drawing rests with JICA.

Designed by:
Japan International Cooperation
Agency (JICA)
JICA Study Team:
Joint Venture of
Pacific Consultants International and
Yamashita Sekkei Inc.
Subcontracted Local Consultant:
TMAH Consultants
Architects, Engineers

Raghadan Bus Terminal
Drawing Title:
Ground Floor Tel. Layout
ZONE 5+7+9+10

Scale: 1:250
Drawing No.: RBT•E32