

Tourism Sector Development Project
in the Hashemite Kingdom of Jordan

The Government of
the Hashemite Kingdom of Jordan
The Ministry of Tourism and Antiquities
The Ministry of Planning

Sub-Project:
Amman Downtown
Tourist Zone Development

Note:
• It's detailed design has been executed by a team
of consultants as shown below in accordance with
the agreement between Japan International
Cooperation Agency (JICA) and JICA Study
Team.
• The copyright of this drawing rests with JICA.

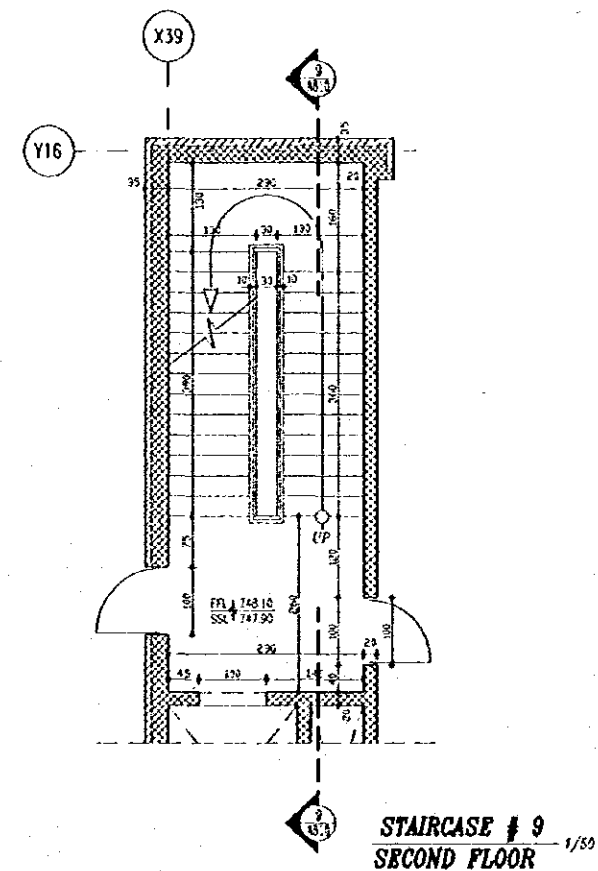
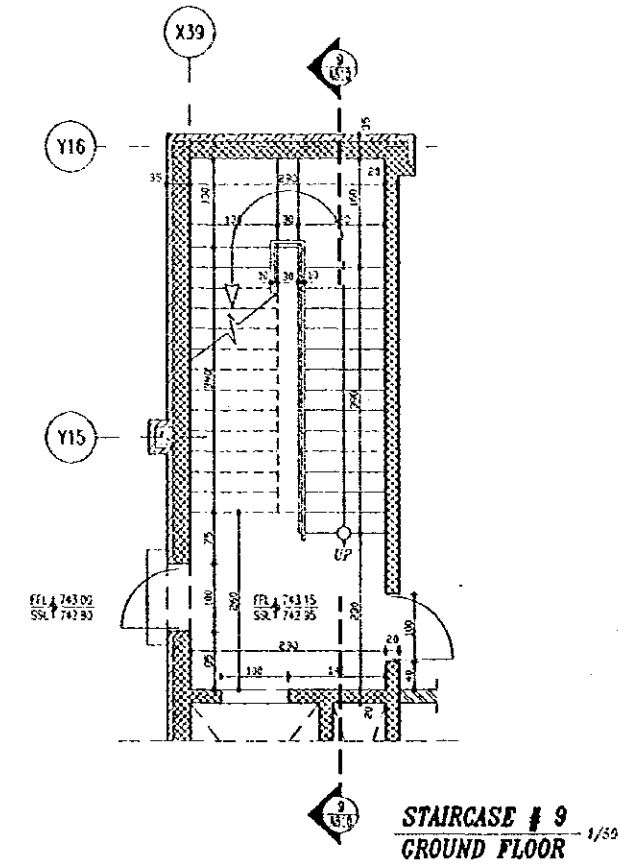
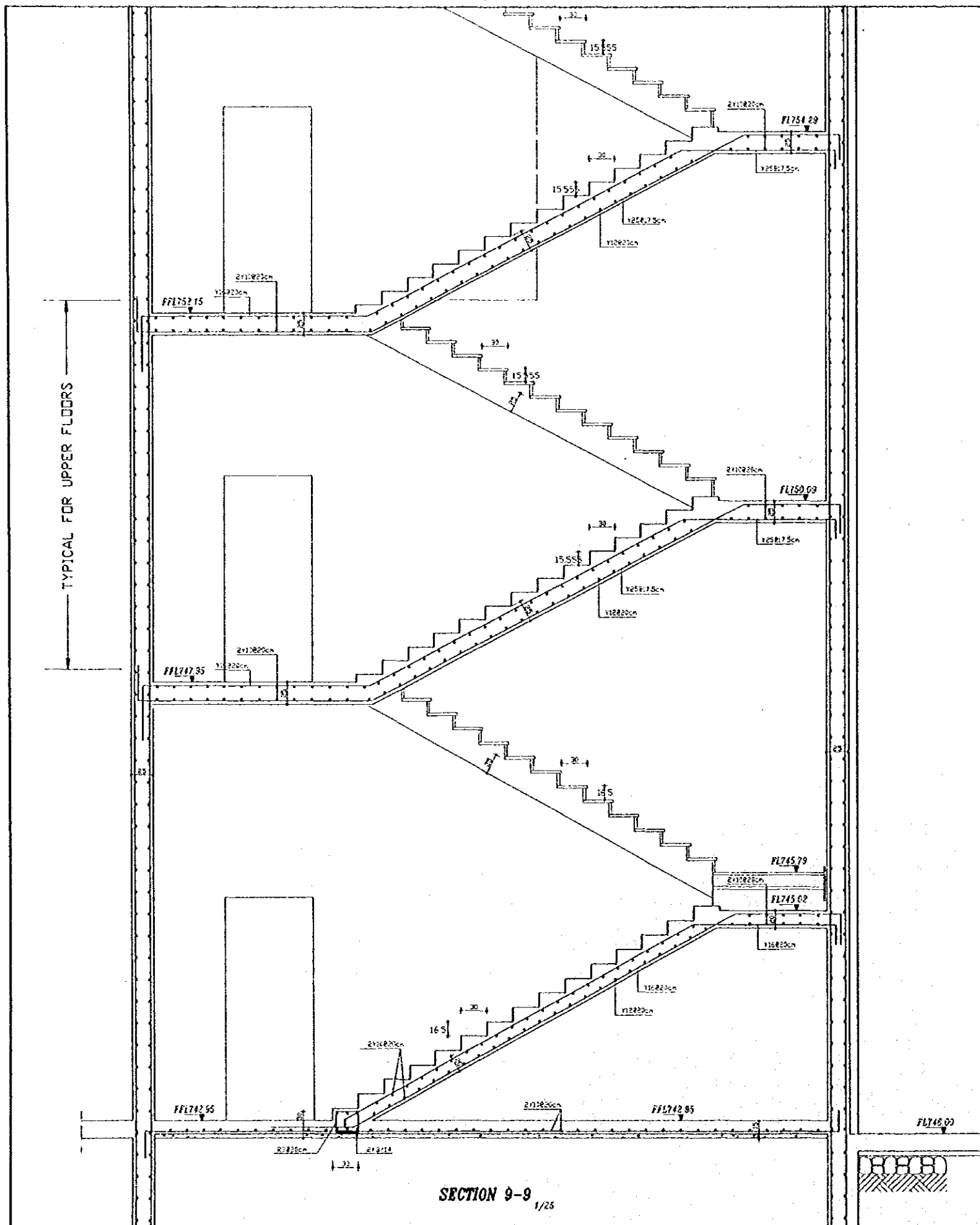
Designed by:
Japan International Cooperation
Agency (JICA)
JICA Study Team:
Joint Venture of
Pacific Consultants International and
Yamashita Sekkei Inc.

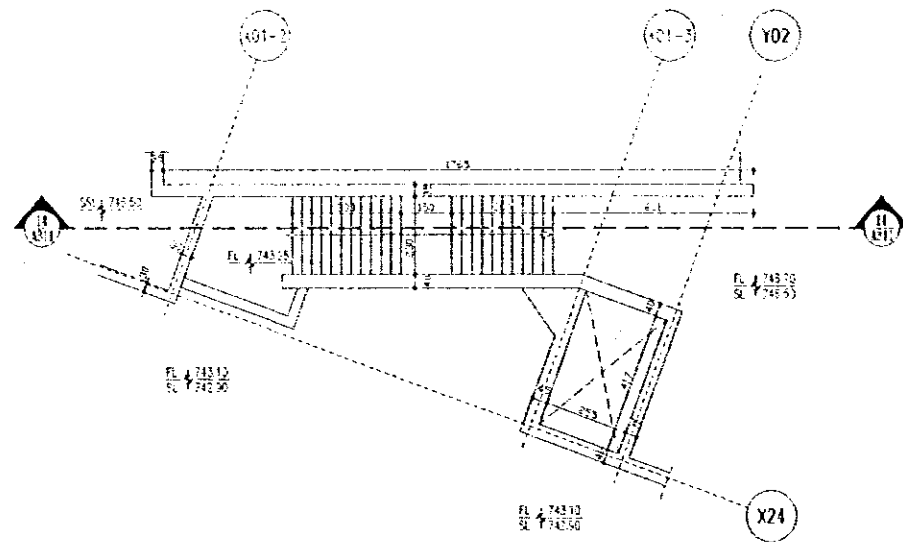
Subcontracted Local Consultant:
TIBAH Consultants
Architect, Engineers

Raghadan Bus Terminal

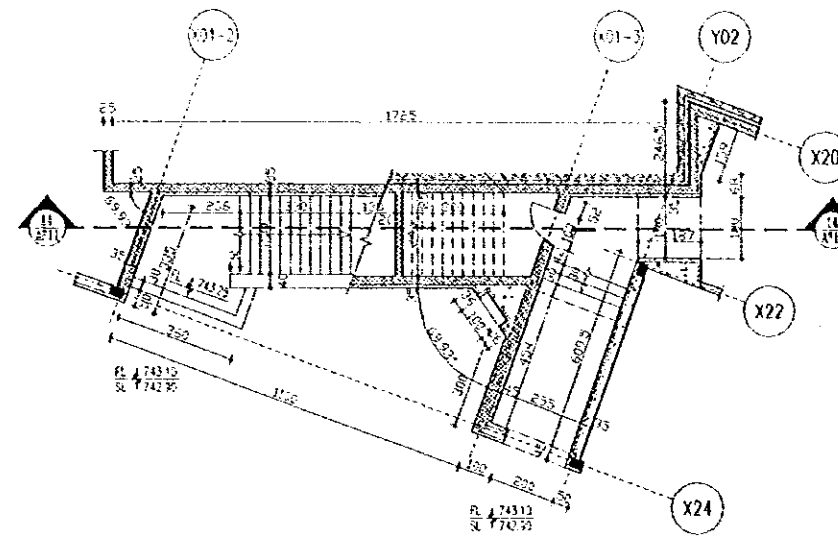
Drawing Title:
STAIRCASE R.C DETAILS

Scale: VAR Drawing No.: RBT.S808

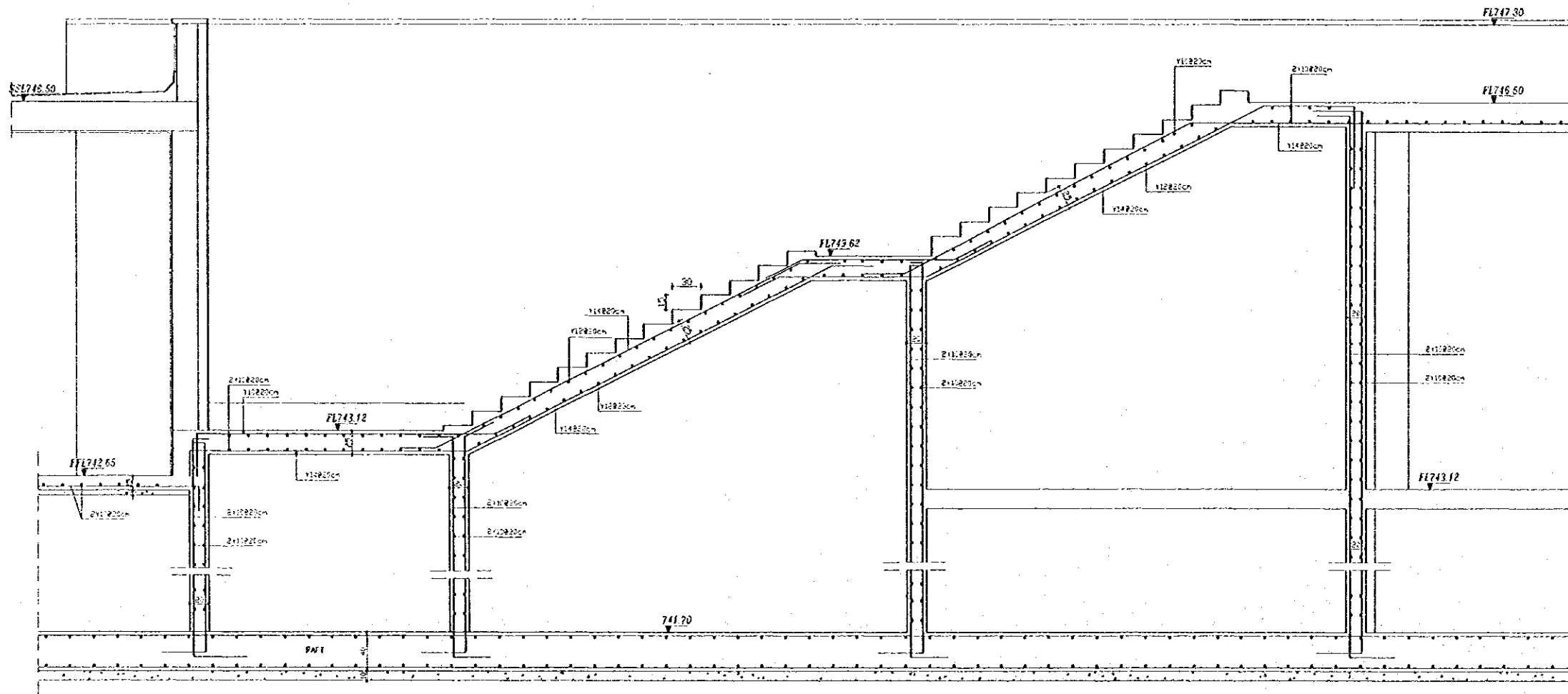




STAIRCASE # 14
FIRST FLOOR 1/100



STAIRCASE # 14
GROUND FLOOR 1/100



Tourism Sector Development Project
in the Hashemite Kingdom of Jordan

The Government of
the Hashemite Kingdom of Jordan
The Ministry of Tourism and Antiquities
The Ministry of Planning

Sub-Project:
Amman Downtown
Tourist Zone Development

Note:
• This detailed design has been executed by a team of consultants as shown below in accordance with the agreement between Japan International Cooperation Agency (JICA) and JICA Study Team.
• The copyright of this drawing rests with JICA.

Designed by:
Japan International Cooperation Agency (JICA)
JICA Study Team:
Joint Venture of Pacific Consultants International and Yamashita Sekkei Inc.

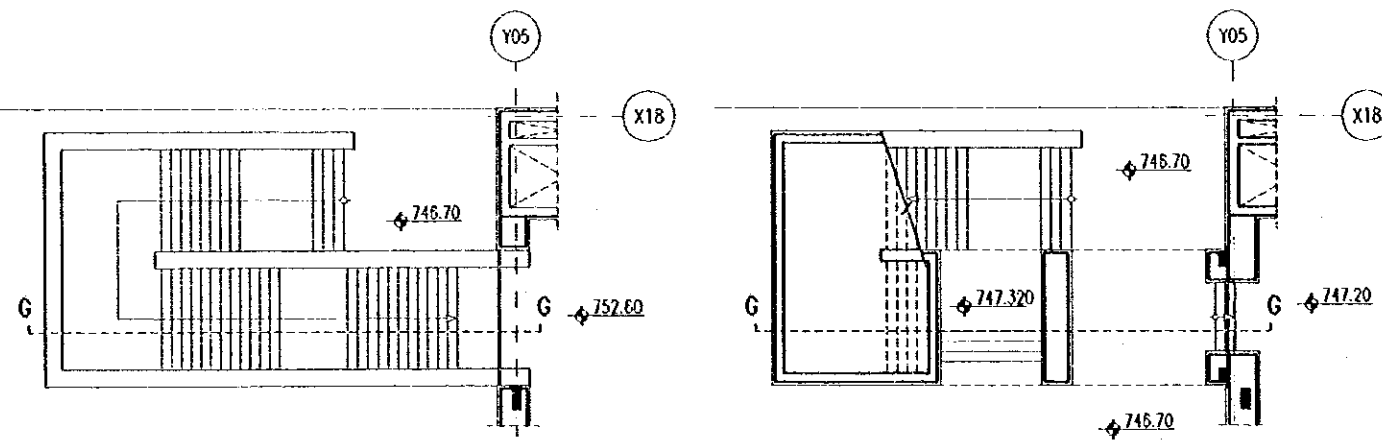
Subcontracted Local Consultant:
TIBAH Consultants
Architect, Engineer

Raghadan Bus Terminal

Drawing Title:
STAIRCASE R.C DETAILS

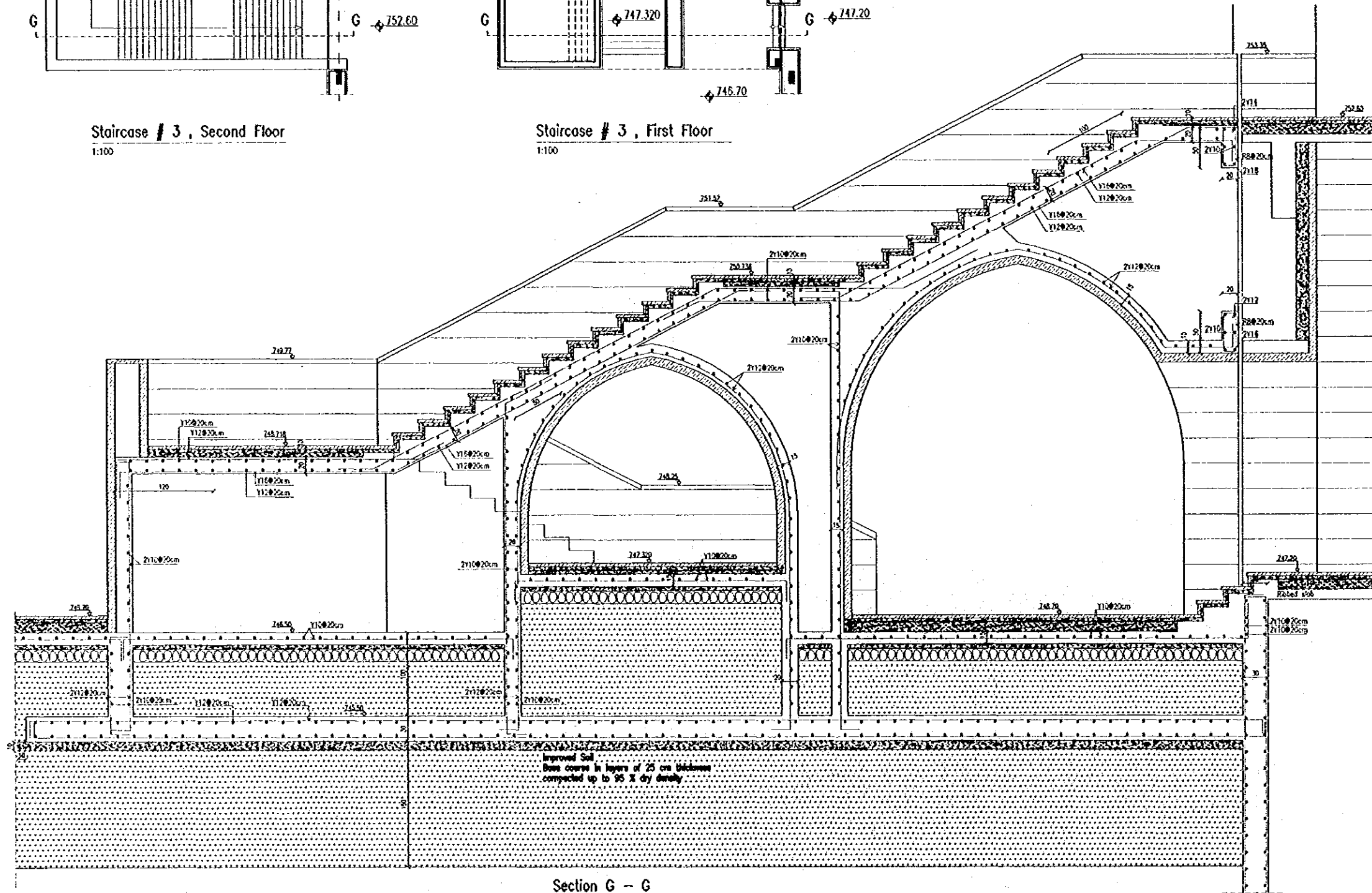
Scale: VAR Drawing No: RBT . S809

Note:
 • This detailed design has been executed by a team of consultants as shown below in accordance with the agreement between Japan International Cooperation Agency (JICA) and JICA Study Team.
 • The copyright of this drawing rests with JICA.
 • All requirements for improved soil shall be accomplished prior to starting any concreting activities.



Staircase # 3 , Second Floor
1:100

Staircase # 3 , First Floor
1:100



Section G - G
1:25

Designed by:

Japan International Cooperation
Agency (JICA)

JICA Study Team:

Joint Venture of
Pacific Consultants International and
Yamasita Sekkel Inc.

Subcontracted Local Consultant:

TBAH Consultants
Architects, Engineers

Logo of TBAH Consultants

Raghadan Bus Terminal

Drawing Title:

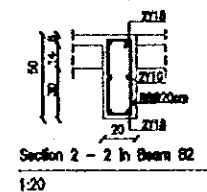
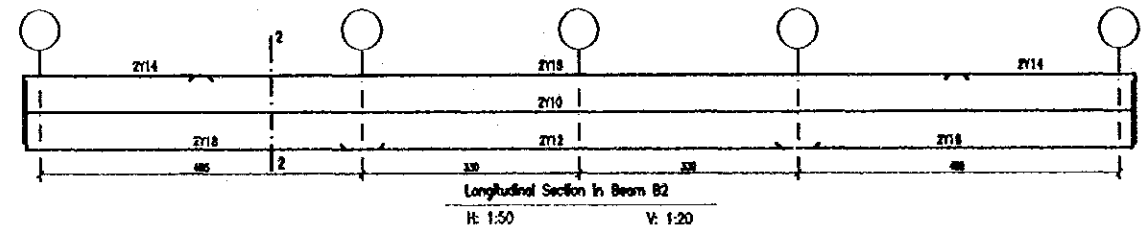
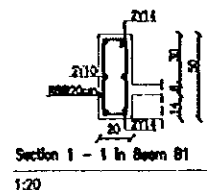
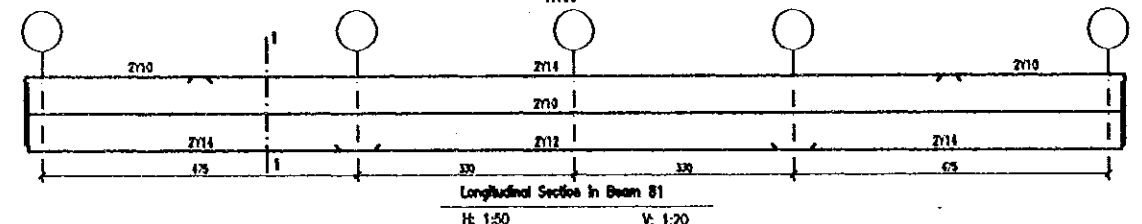
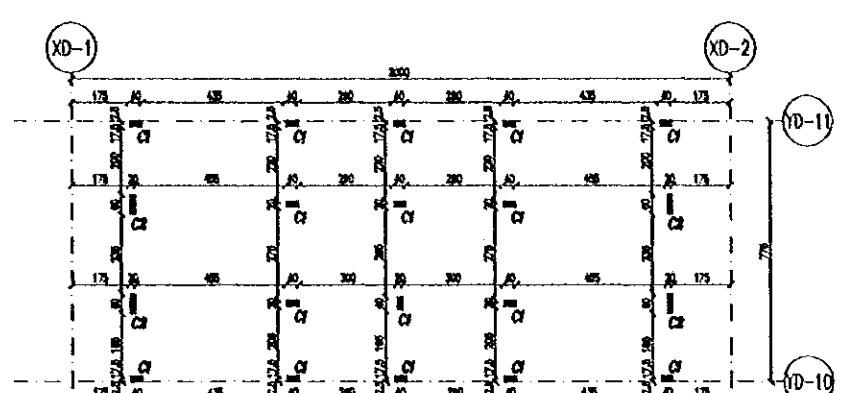
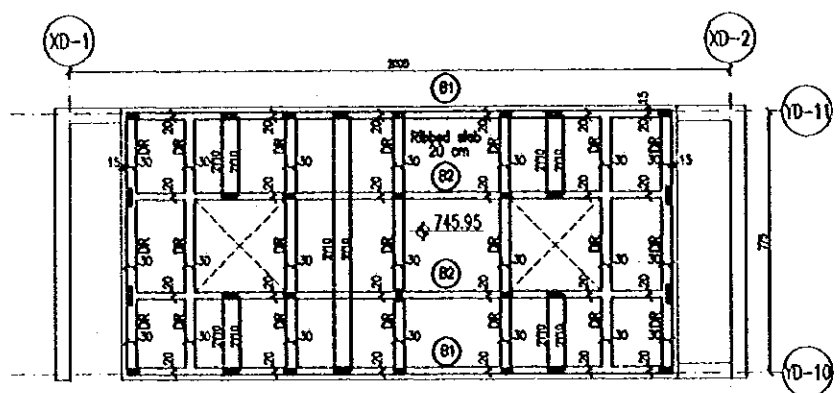
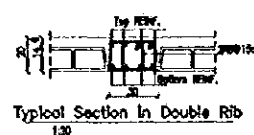
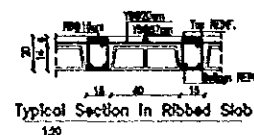
Stair Case R.C Details

Scale:

As Shown

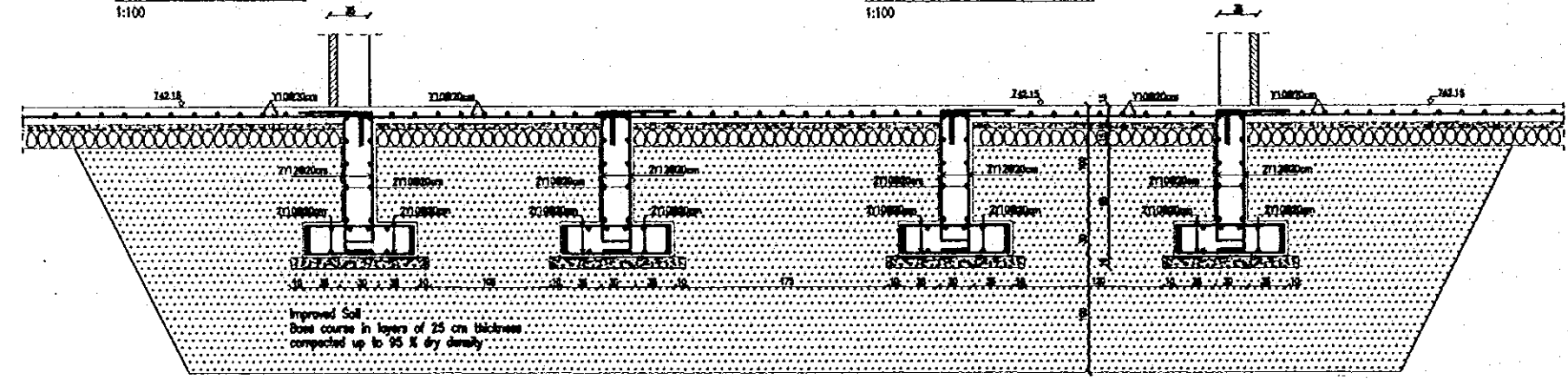
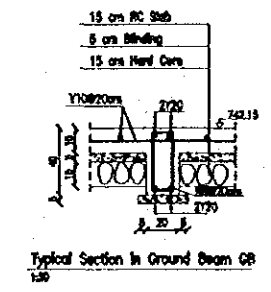
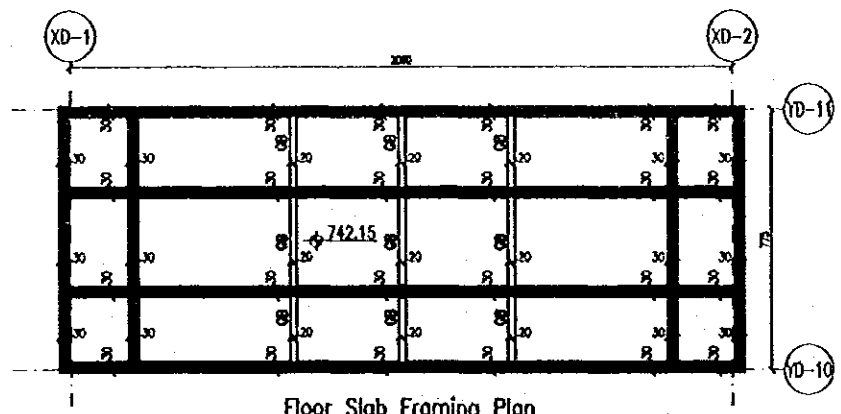
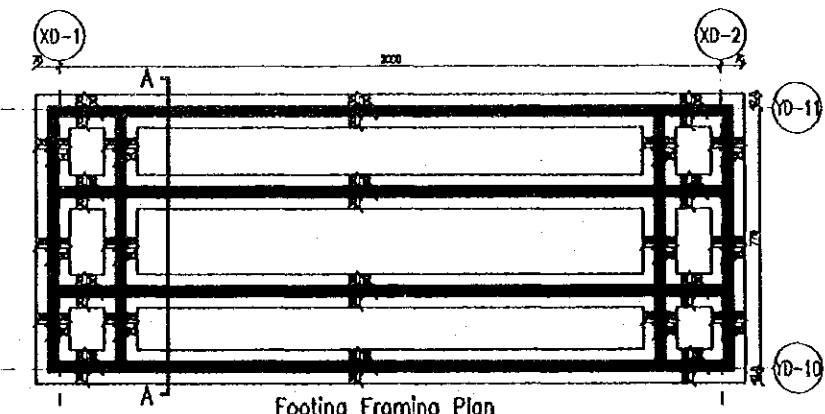
Drawing No.:

RBT, S810



COLUMNS SCHEDULE

COLUMN NO.	SIZE	REINFORCEMENT	STIRRUPS	REMARKS
C1	20x40cm	8Y12		
C2	20x50cm	12Y20		



Tourism Sector Development Project
in the Hashemite Kingdom of Jordan

The Government of
the Hashemite Kingdom of Jordan
The Ministry of Tourism and Antiquities
The Ministry of Planning

Sub-Project:
Amman Downtown
Tourist Zone Development

Note:
• This detailed design has been executed by a team of consultants as shown below in accordance with the agreement between Japan International Cooperation Agency (JICA) and JICA Study Team.
• The copyright of this drawing rests with JICA.
• All requirements for improved soil shall be accomplished prior to starting any concreting activities.

Designed by:
Japan International Cooperation Agency (JICA)
JICA Study Team:
Joint Venture of
Pacific Consultants International and
Yamashita Sekkel Inc.

Subcontracted Local Consultant:
TIBAH Consultant's
Architects, Engineers

Raghadan Bus Terminal
Drawing Title:
Large Bus Toilets Building
R.C Details

Scale: As shown
Drawing No: RBT. S830

Tourism Sector Development Project
in the Hashemite Kingdom of Jordan

The Government of
the Hashemite Kingdom of Jordan
The Ministry of Tourism and Antiquities
The Ministry of Planning

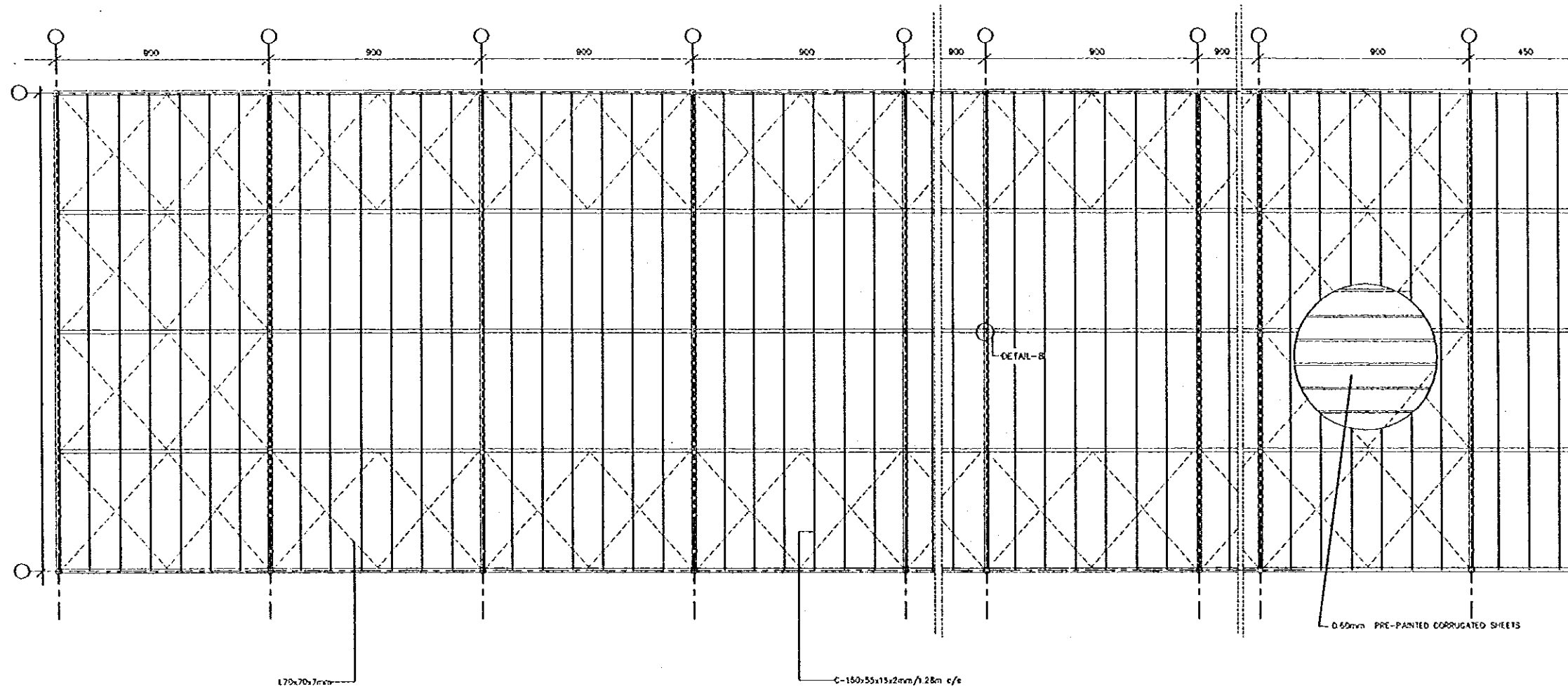
Sub-Project:
Ammon Downtown
Tourist Zone Development

Note:
• This detailed design has been executed by a team
of consultants as shown below in accordance with
the agreement between Japan International
Cooperation Agency (JICA) and JICA Study
Team.
• The copyright of this drawing rests with JICA.

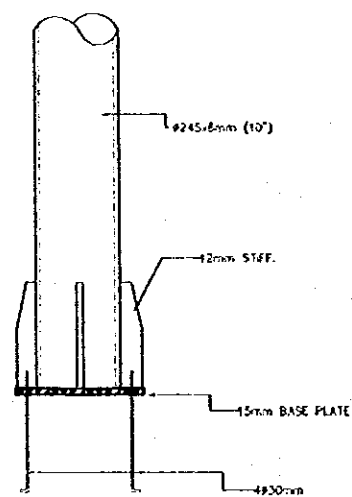
Designed by:
Japan International Cooperation
Agency (JICA)
JICA Study Team:
Joint Venture of
Pacific Consultants International and
Yamashita Sekkel Inc.
Subcontracted Local Consultant:
TIBAH Consultants
Architects, Engineers


Raghadan Bus Terminal
Drawing Title:
Large Bus Shed
Roof Plan

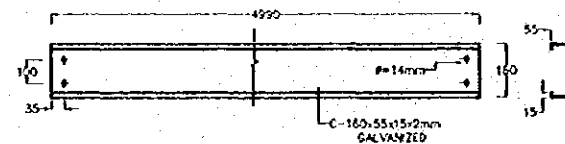
Scale: As Shown Drawing No.: RBT. S851



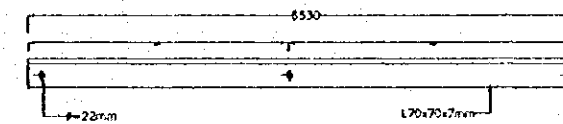
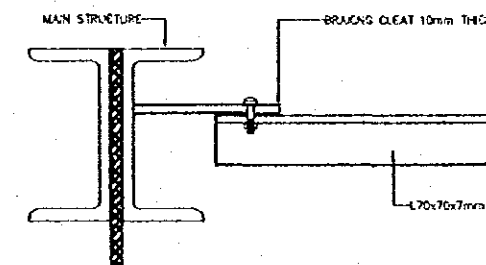
ROOF PLAN
1/50



BASE PLATE DETAIL
N.T.S



PURLINS DETAIL
1/50



BRACING DETAIL
1/50

Tourism Sector Development Project
in the Hashemite Kingdom of Jordan

The Government of
the Hashemite Kingdom of Jordan
The Ministry of Tourism and Antiquities
The Ministry of Planning

Sub-Project:
Amman Downtown
Tourist Zone Development

Note:
- This detailed design has been executed by a team
of consultants as shown below in accordance with
the agreement between Japan International
Cooperation Agency (JICA) and JICA Study
Team.
- The copyright of this drawing rests with JICA.

Designed by:

Japan International Cooperation
Agency (JICA)

JICA Study Team:
Joint Venture of
Pacific Consultants International and
Yamashita Sekkei Inc.

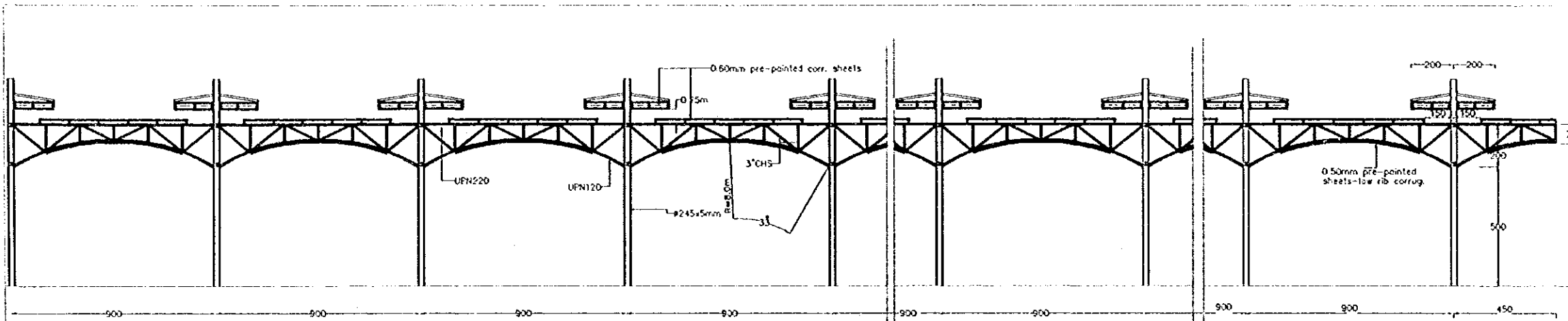
Subcontracted Local Consultant:
TIBAH Consultants
Architects, Engineers

Raghadan Bus Terminal

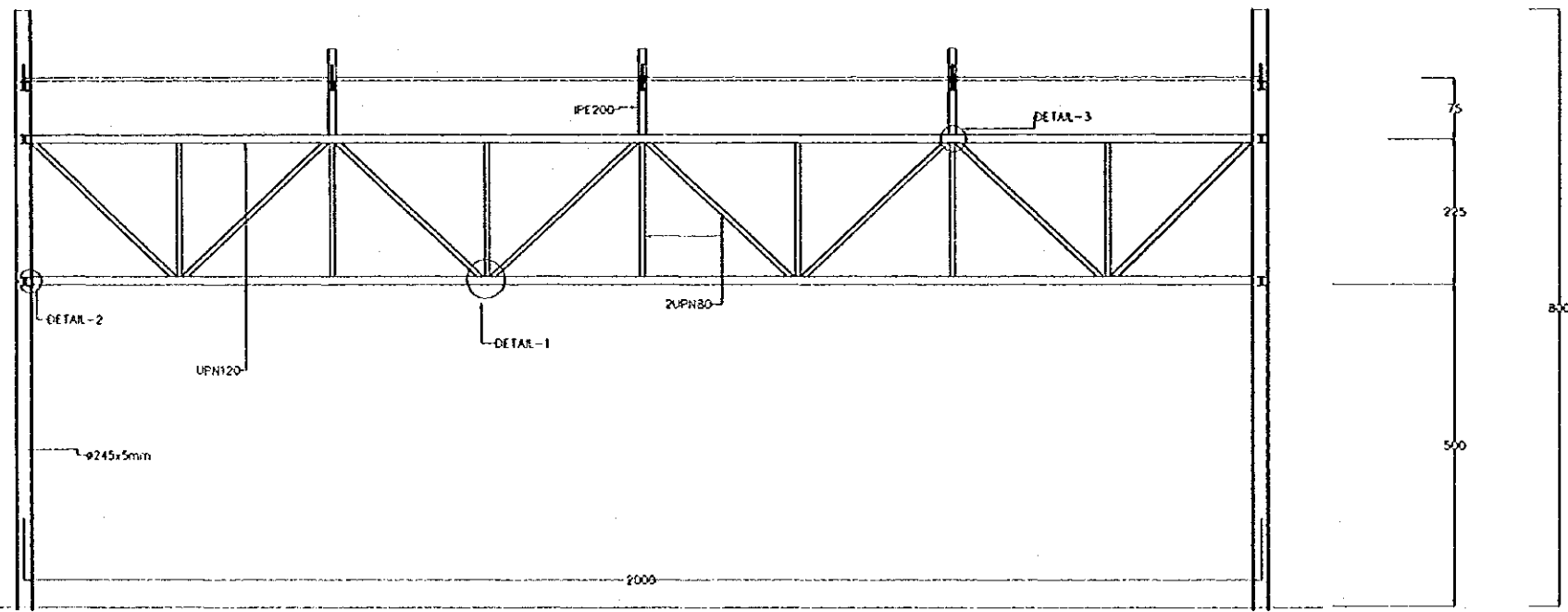
Drawing Title:
Large Bus Shed
Sections And Details

Scale:
As Shown

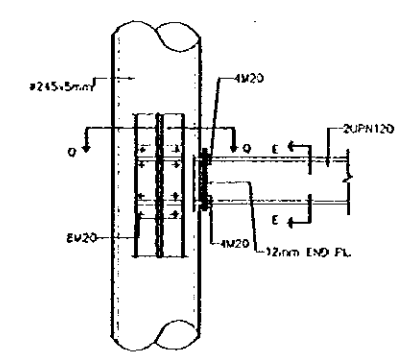
Drawing No:
RBT . S852



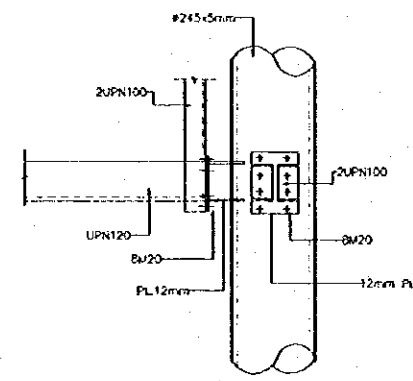
LONGITUDINAL SECTION
1/100



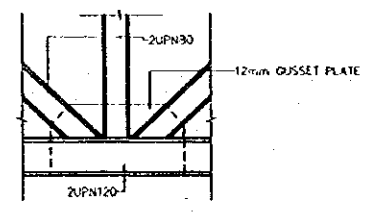
TRANSVERSE SECTION
1/30



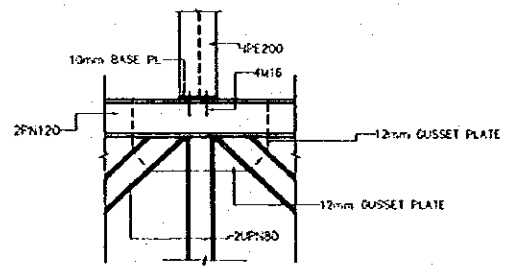
DETAIL-2
1/10



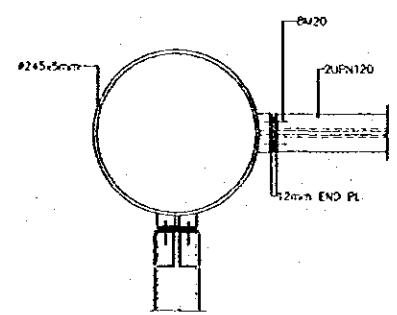
SECTION E-E
1/10



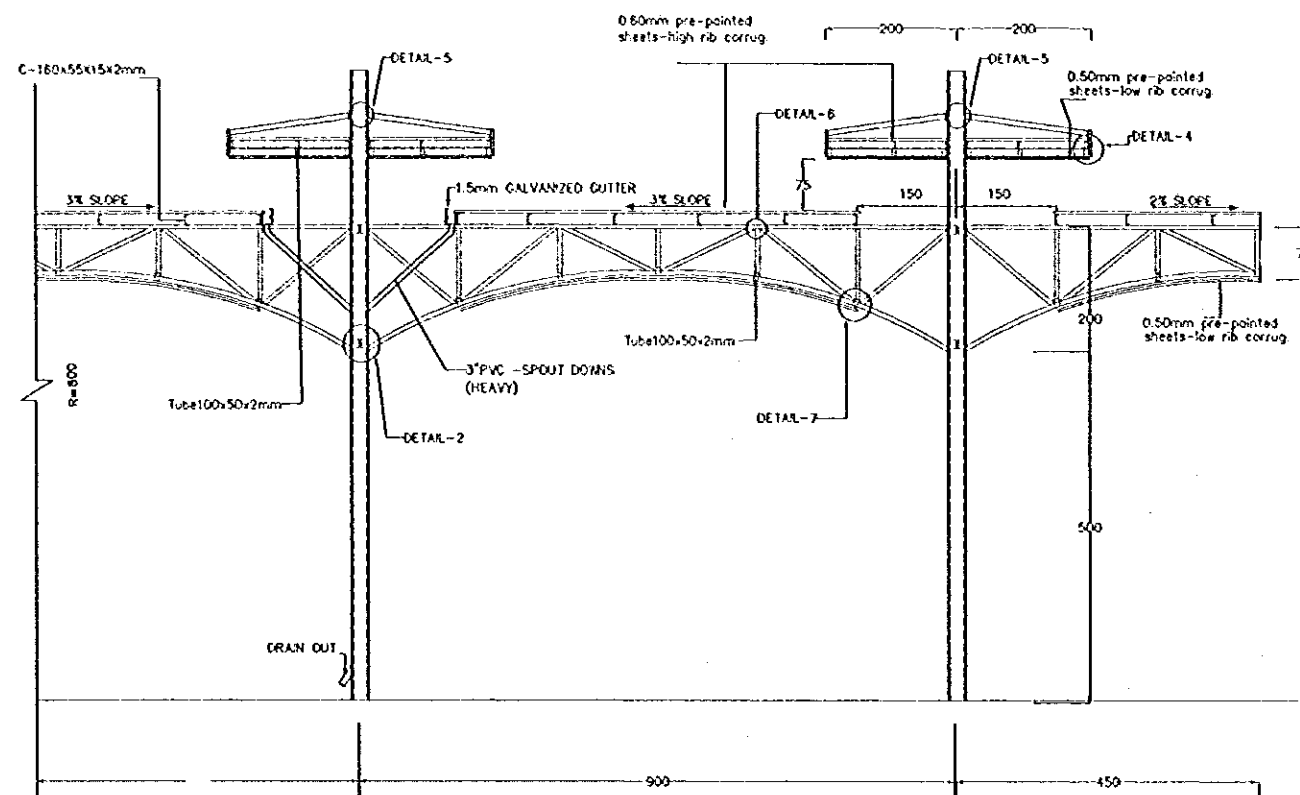
DETAIL-1
1/10



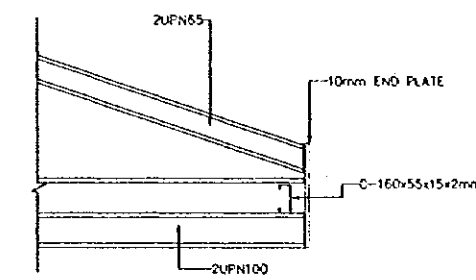
DETAIL-3
1/10



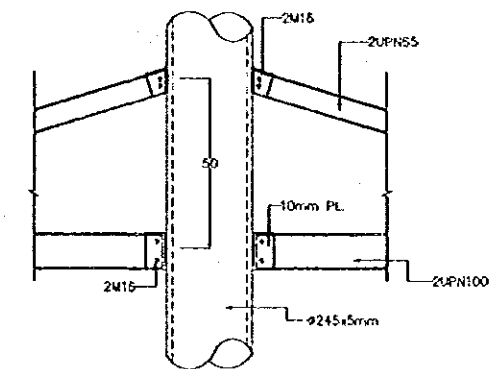
SECTION O-O
1/10



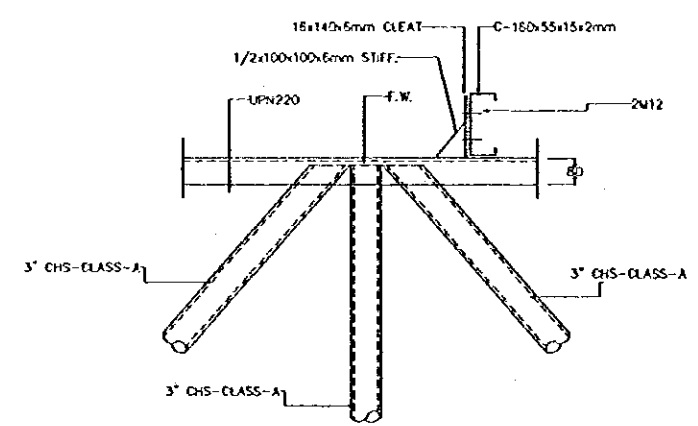
LONGITUDINAL SECTION-TYPICAL
1/50



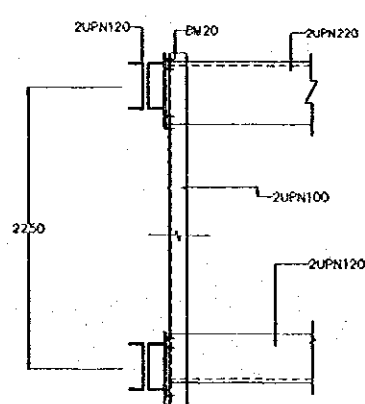
DETAIL-4
1/10



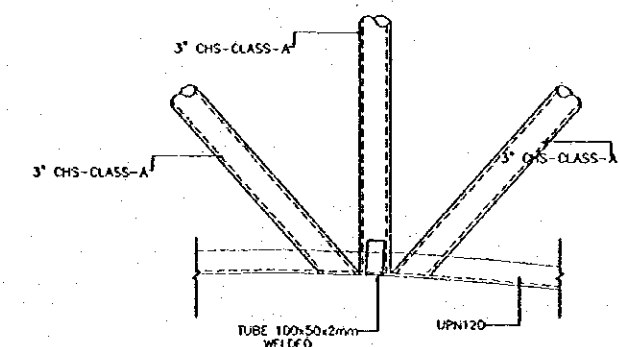
DETAIL-5
1/10



DETAIL-6
1/10



DETAIL-8
1/10



DETAIL-7
1/10

Tourism Sector Development Project
in the Hashemite Kingdom of Jordan

The Government of
the Hashemite Kingdom of Jordan
The Ministry of Tourism and Antiquities
The Ministry of Planning

Sub-Project:
Amman Downtown
Tourist Zone Development

Note:
• This detailed design has been executed by a team
of consultants as shown below in accordance with
the agreement between Japan International
Cooperation Agency (JICA) and JICA Study
Team.
• The copyright of this drawing rests with JICA.

Designed by:
Japan International Cooperation
Agency (JICA)
JICA Study Team:
Joint Venture of
Pacific Consultants International and
Yamashita Sekkei Inc.
Subcontracted Local Consultant:
TIBAH Consultants
Architects, Engineers

Raghadan Bus Terminal

Drawing Title:
Large Bus Shed
Details

Scale: As Shown
Drawing No: RBT. S853

Tourism Sector Development Project
in the Hashemite Kingdom of Jordan

The Government of
the Hashemite Kingdom of Jordan
The Ministry of Tourism and Antiquities
The Ministry of Planning

Sub-Project:
Amman Downtown
Tourist Zone Development

Note:
• This detailed design has been executed by a team of consultants as shown below in accordance with the agreement between Japan International Cooperation Agency (JICA) and JICA Study Team.
• The copyright of this drawing rests with JICA.

Designed by:

Japan International Cooperation Agency (JICA)

JICA Study Team:

Joint Venture of
Pacific Consultants International and
Yamashita Seki & Inc.

Subcontracted Local Consultant:

TIBAH Consultants
Architects, Engineers

www.tibah.com.jo

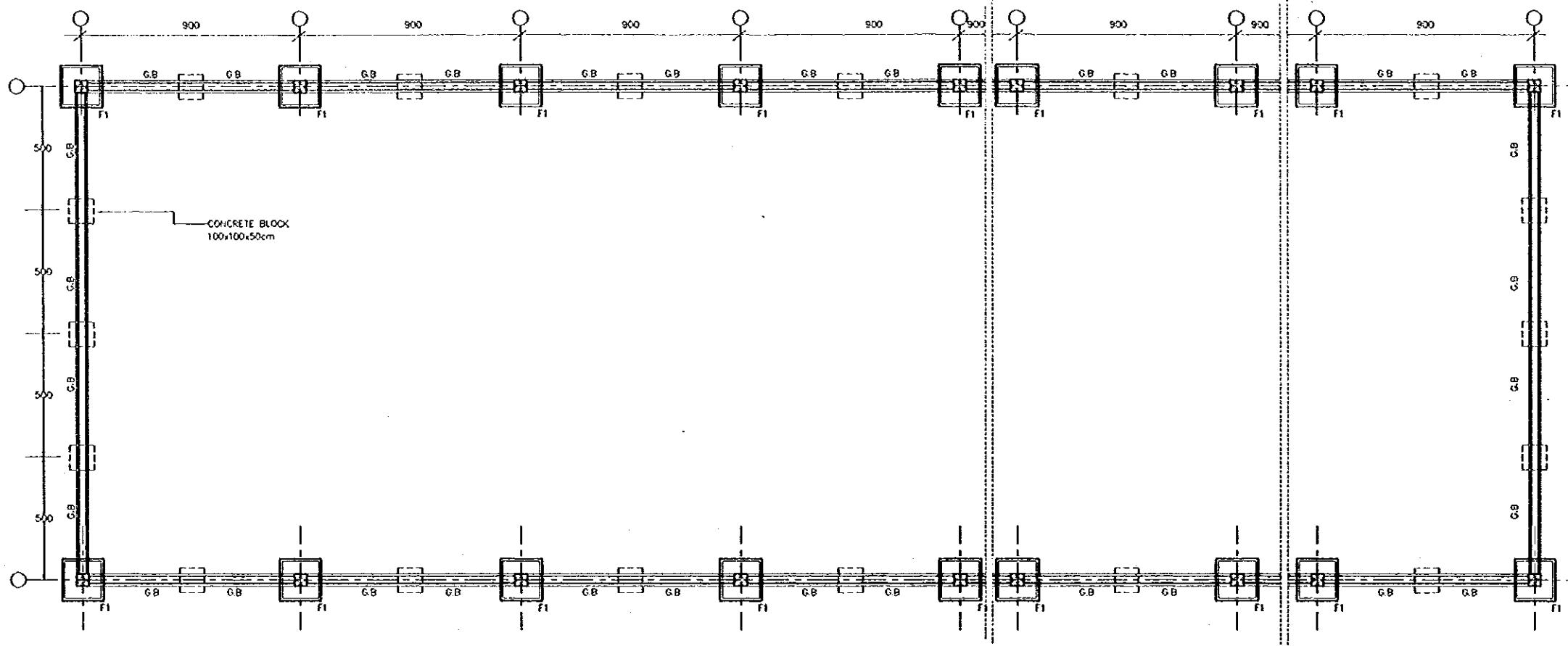
Raghadan Bus Terminal

Drawing Title:

Large Bus Shed
Foundations Plan & R.C Details

Scale:
As Shown

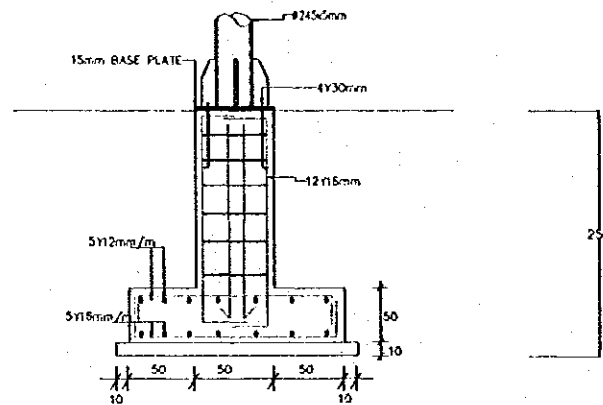
Drawing No.:
RBT. S854



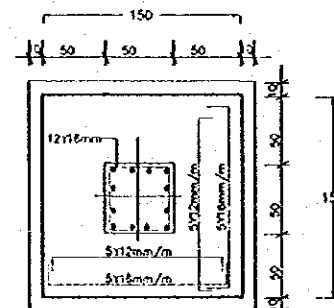
FOUNDATION PLAN
1/100

NOTES: -

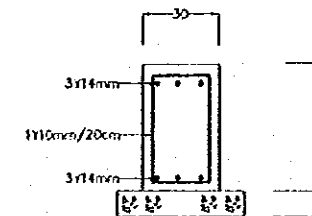
1. STRUCTURAL STEEL IS OF GRADE ST.37-2 TO DIN17100
2. BOLTS ARE OF GRADE (8.8) TO BS3692.
3. ANCHOR BOLTS ARE OF HIGH TENSILE STEEL GR.60
4. PAINTING IS OF MIN. 3-COATS OF ZINC CHROMATE PRIMER PLUS 2 LAYERS OF FINAL COAT.
5. WELDING IS OF ELECTRICAL TYPE OF E70 ELECTRODE.
6. MIN. FILLET WELD THICKNESS IS 6mm.



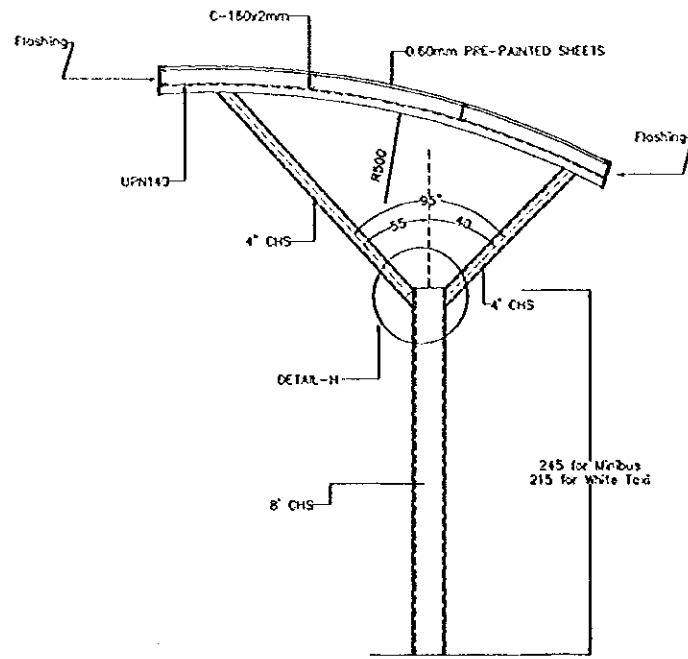
SECTION IN F1
1/25



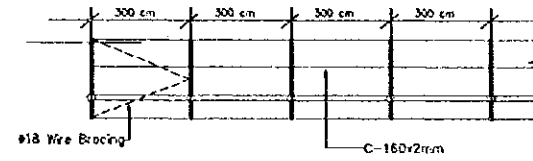
FOOTING PLAN -F1
1/25



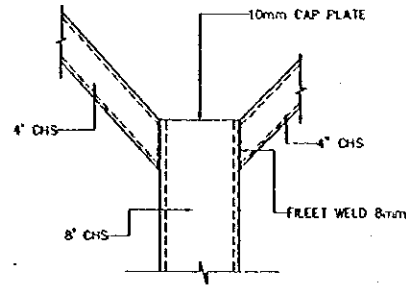
SEC. IN G.B.
1/13



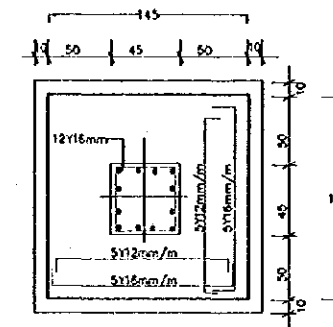
TYPICAL SECTION
1/25



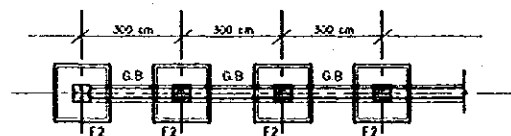
TYPICAL ROOF PLAN
1/100



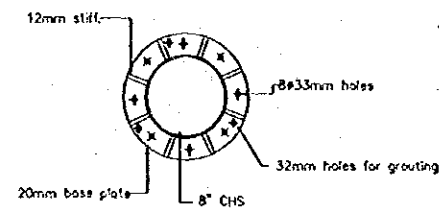
DETAIL -H
1/10



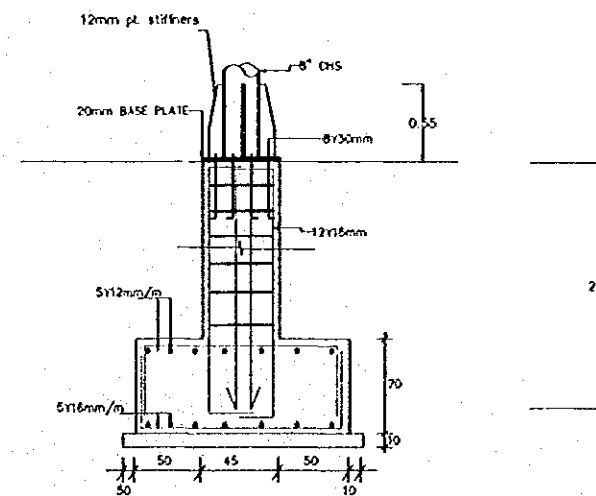
FOOTING PLAN -F2
1/25



TYPICAL FOUNDATION PLAN
1/100



BASE PLATE DETAIL
1/10



SECTION IN F2
1/25

Tourism Sector Development Project
in the Hashemite Kingdom of Jordan

The Government of
the Hashemite Kingdom of Jordan
The Ministry of Tourism and Antiquities
The Ministry of Planning

Sub-Project:
Amman Downtown
Tourist Zone Development

Note:
- This detailed design has been executed by a team
of consultants as shown below in accordance with
the agreement between Japan International
Cooperation Agency (JICA) and JICA Study
Team.
- The copyright of this drawing rests with JICA.

Designed by:

Japan International Cooperation
Agency (JICA)

JICA Study Team:

Joint Venture of
Pacific Consultants International and
Yamashita Sektel Inc.

Subcontracted Local Consultant:

TIBAH Consultants
Architects, Engineers

شركة تيباح للتصميم والهندسة المعمارية



Raghadan Bus Terminal

Drawing Title:

White Taxi and Mini Bus Shed

Plan And Details

Scale:

As Shown

Drawing No.:

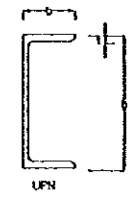
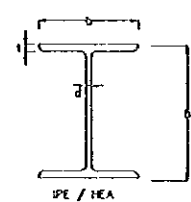
RBT. SB55

Tourism Sector Development Project
in the Hashemite Kingdom of Jordan

The Government of
the Hashemite Kingdom of Jordan
The Ministry of Tourism and Antiquities
The Ministry of Planning

Sub-Project:
Amman Downtown
Tourist Zone Development

Note:
• This detailed design has been executed by a team of consultants as shown below in accordance with the agreement between Japan International Cooperation Agency (JICA) and JICA Study Team.
• The copyright of this drawing rests with JICA.



MEMBER DESIG.	h mm	b mm	d mm	t mm
IPE500	500	200	10.2	16.0
IPE240	240	120	6.2	9.8
IPE180	180	91	5.3	8.0
IPE400	400	180	8.6	13.5
HEA340	330	300	9.5	16.5
HEA550	540	300	12.5	24.0
UPN65	65	42	5.5	7.5
UPN160	160	65	7.5	10.5

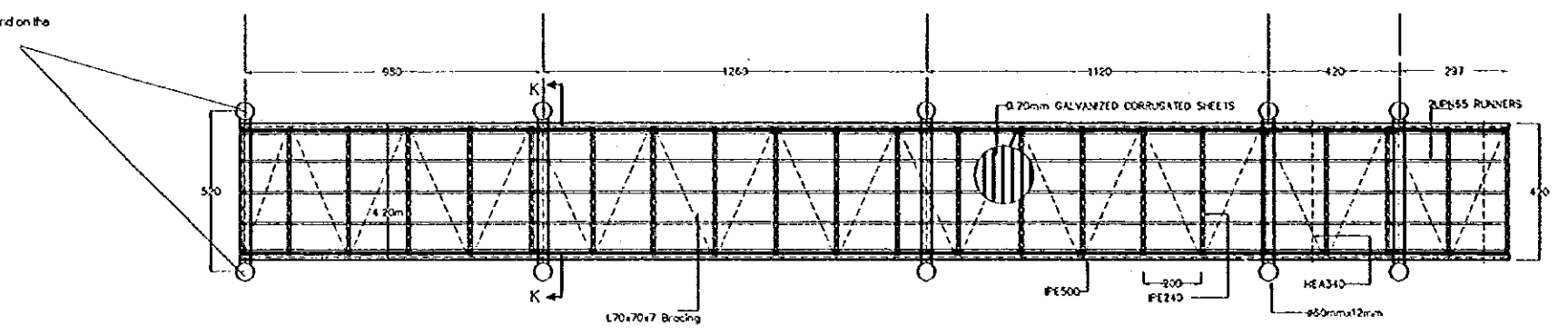
Designed by:
Japan International Cooperation Agency (JICA)
JICA Study Team:
Joint Venture of
Pacific Consultants International and
Yamata Sekkei Inc.
Subcontracted Local Consultant:
TIBAH Consultants
Architects, Engineers

Raghadan Bus Terminal

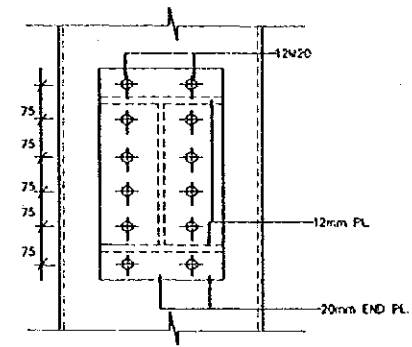
Drawing Title:
Bridge 1 Deck Plan
And Details

Scale:
As Shown
Drawing No.:
RBT_S901

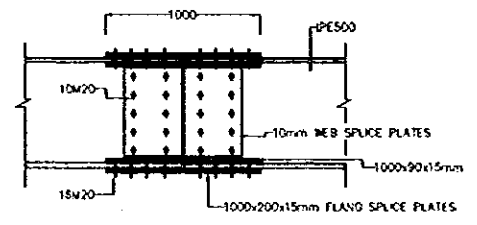
The location of the columns depend on the decision of the GAM



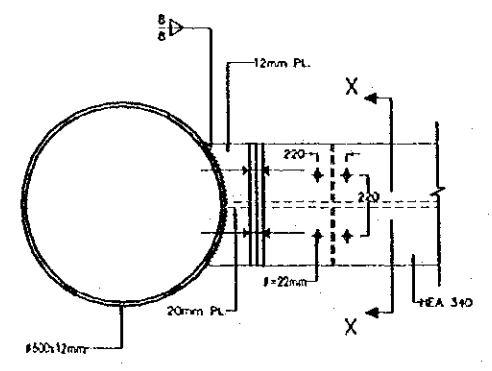
BRIDGE DECK PLAN
1/100



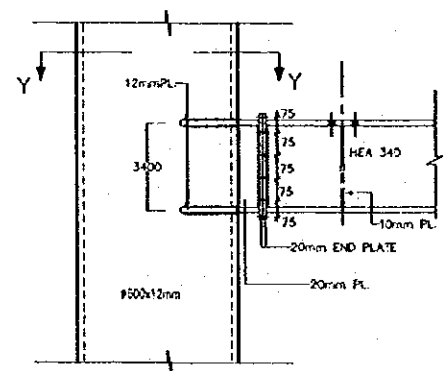
SEC. X-X
1/10



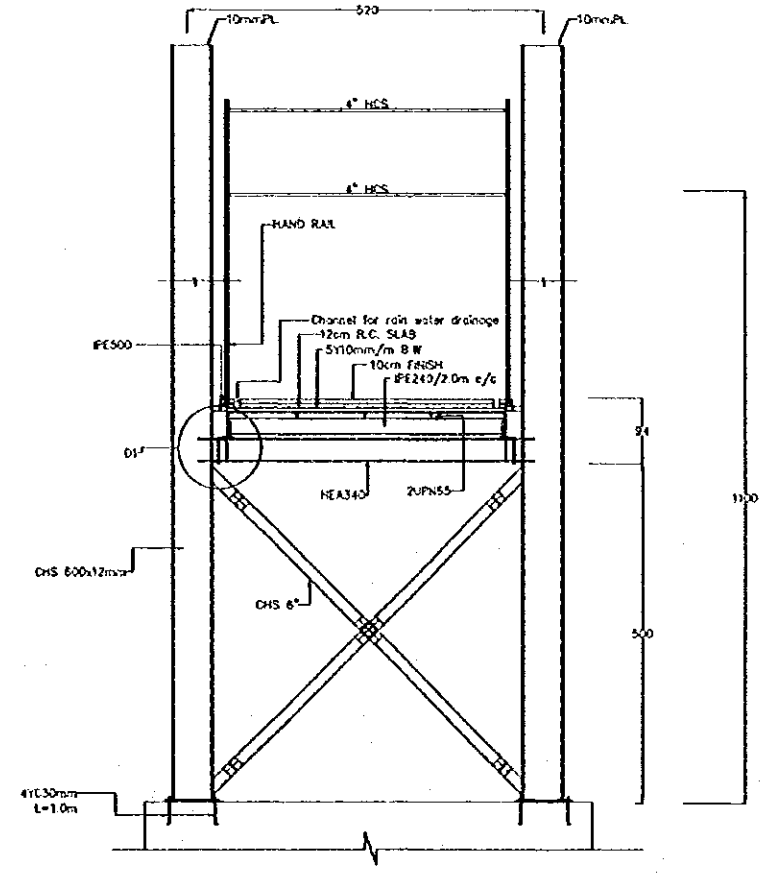
SPlice DETAIL OF IPE500
N.T.S



SEC. K-K
1/10



DETAIL-D1
1/10



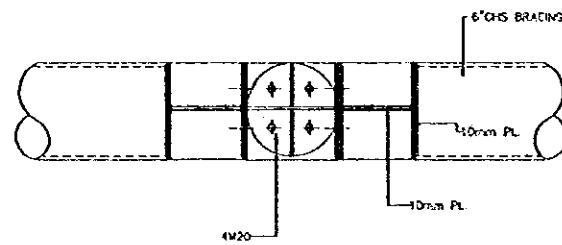
SEC. K-K
1/50

Tourism Sector Development Project
in the Hashemite Kingdom of Jordan

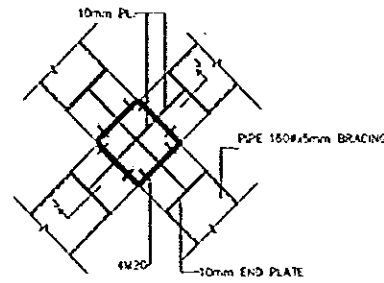
The Government of
the Hashemite Kingdom of Jordan
The Ministry of Tourism and Antiquities
The Ministry of Planning

Sub-Project:
Amman Downtown
Tourist Zone Development

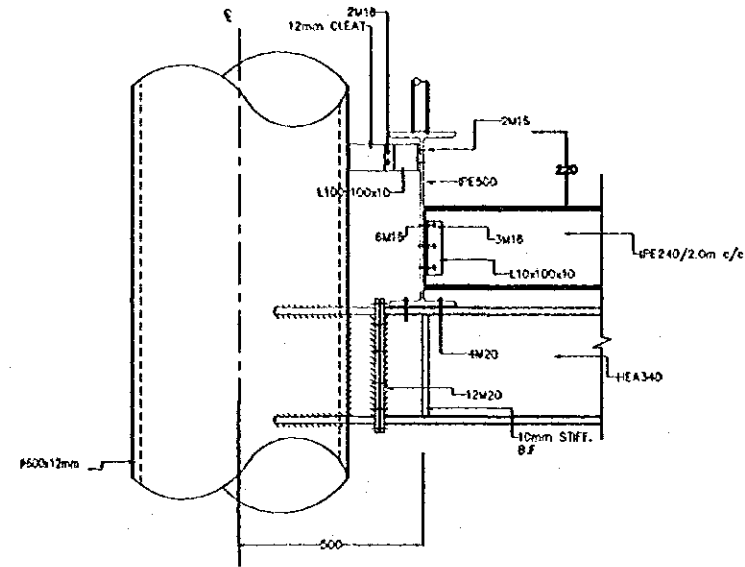
Note:
• This detailed design has been executed by a team of consultants as shown below in accordance with the agreement between Japan International Cooperation Agency (JICA) and JICA Study Team.
• The copyright of this drawing rests with JICA.



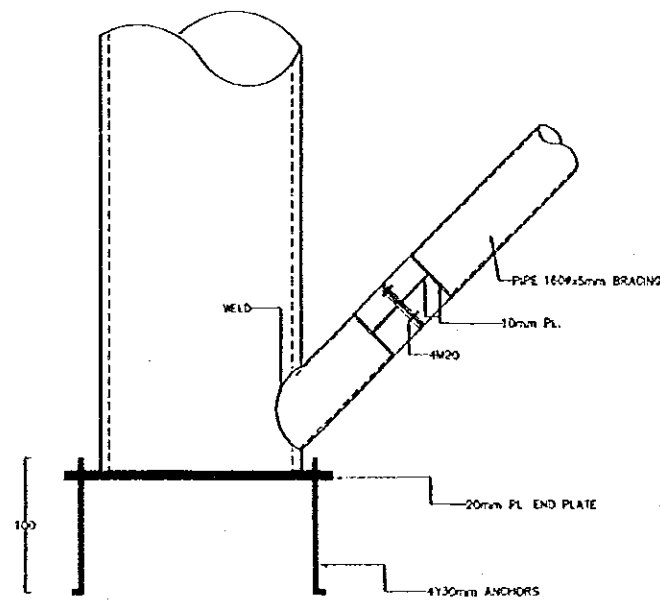
SECTION J-J
1/20



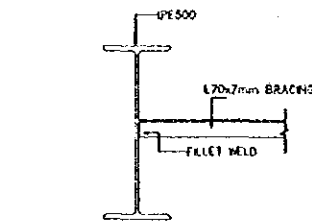
BRACING CROSSING DETAIL
1/20



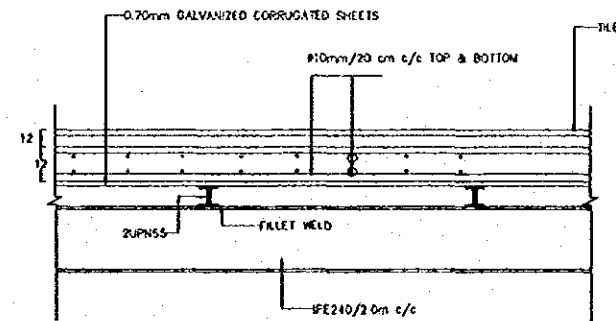
MAIN GIRDER CONNECTION DETAIL
1/20



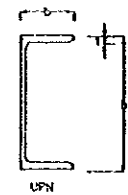
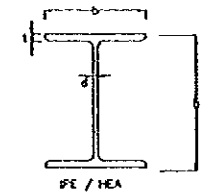
BASE PLATE DETAIL
1/20



DECK BRACING DETAIL
N.T.S.



RUNNER CONNECTION DETAIL
1/25



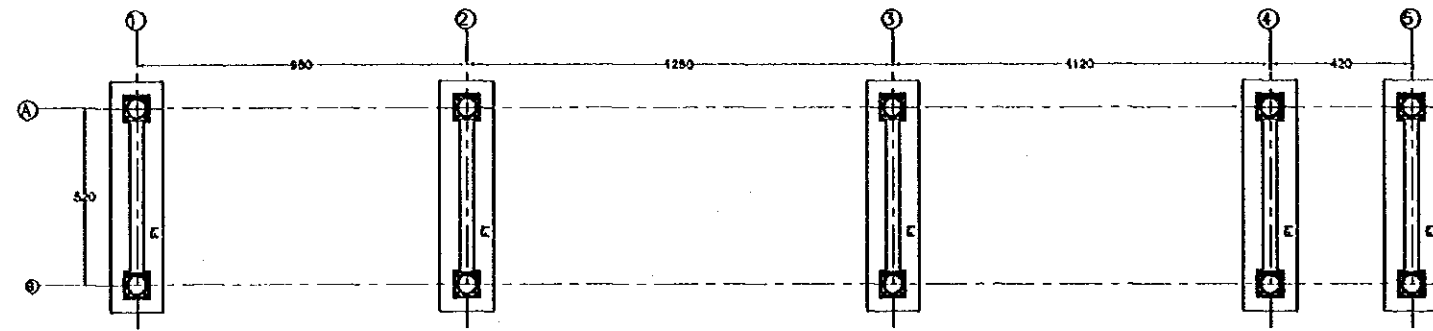
MEMBER DESIG	h mm	b mm	d mm	t mm
IPE500	500	200	10.2	16.0
IPE240	240	120	6.2	9.8
IPE180	180	91	5.3	8.0
IPE400	400	180	8.6	13.5
HEA340	330	300	9.5	16.5
HEA550	540	300	12.5	24.0
UPN55	65	42	5.5	7.5
UPN160	160	65	7.5	10.5

Designed by:
Japan International Cooperation Agency (JICA)
JICA Study Team:
Joint Venture of
Pacific Consultants International and
Yamashita Sekkei Inc.
Subcontracted Local Consultant:
TIBAH Consultants
Architect, Engineers
مهندسين معماريين ومهندسين

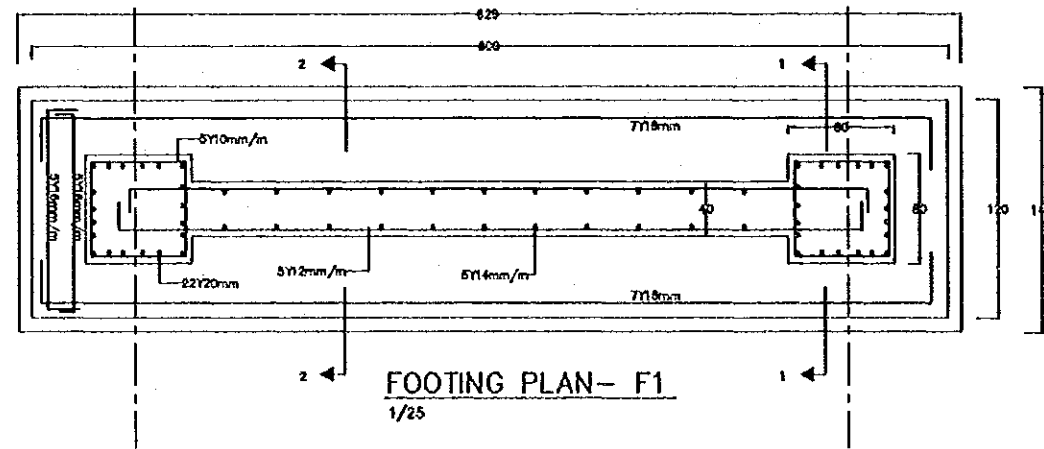
Raghadan Bus Terminal

Drawing Title:
Bridge 1 Details
And Sections

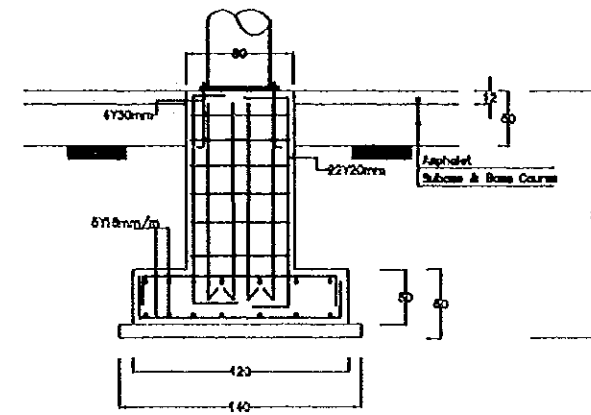
Scale: As Shown Drawing No.: RBT. S902



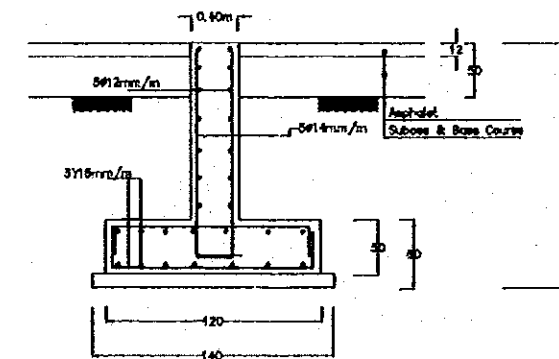
FOUNDATION PLAN
1/100



FOOTING PLAN- F1
1/25



SEC. 1-1 IN F1
1/25



SEC. 2-2 IN F1
1/25

Tourism Sector Development Project
In the Hashemite Kingdom of Jordan

The Government of
the Hashemite Kingdom of Jordan
The Ministry of Tourism and Antiquities
The Ministry of Planning

Sub-Project:
Amman Downtown
Tourist Zone Development

Note:
• This detailed design has been executed by a team of consultants as shown below in accordance with the agreement between Japan International Cooperation Agency (JICA) and JICA Study Team.
• The copyright of this drawing rests with JICA.

Designed by:
Japan International Cooperation Agency (JICA)
JICA Study Team:
Joint Venture of Pacific Consultants International and Yomastō Seikō Inc.
Subcontracted Local Consultant:
TIBAH Consultants Architects, Engineers

Raghadan Bus Terminal
Drawing Title:
Bridge 1 Foundation Plan
And R.C Details

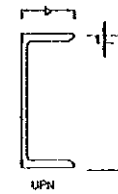
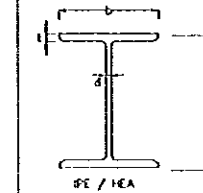
Scale: As Shown Drawing No: RBT . S903

Tourism Sector Development Project
in the Hashemite Kingdom of Jordan

The Government of
the Hashemite Kingdom of Jordan
The Ministry of Tourism and Antiquities
The Ministry of Planning

Sub-Project:
Amman Downtown
Tourist Zone Development

Note:
• This detailed design has been executed by a team of consultants as shown below in accordance with the agreement between Japan International Cooperation Agency (JICA) and JICA Study Team.
• The copyright of this drawing rests with JICA.



MEMBER DESG.	h mm	b mm	d mm	t mm
IPE 500	500	200	10.2	18.0
IPE 240	240	120	6.2	9.8
IPE 180	180	91	5.3	8.0
IPE 400	400	180	8.6	13.5
HEA 340	330	300	9.5	16.5
HEA 550	540	300	12.5	24.0
UPN 65	65	42	5.5	7.5
UPN 160	160	65	7.5	10.5

Designed by:

Japan International Cooperation Agency (JICA)

JICA Study Team:

Joint Venture of
Pacific Consultants International and
Yamasa Seteki Inc.

Subcontracted Local Consultant:

TIBAH Consultants
Architects, Engineers

مهندسين معماريين ومهندسين ميكانيكيين
TIBAH Consultants

Raghadan Bus Terminal

Drawing Title:

Bridge 2 Deck Plan
And Sections

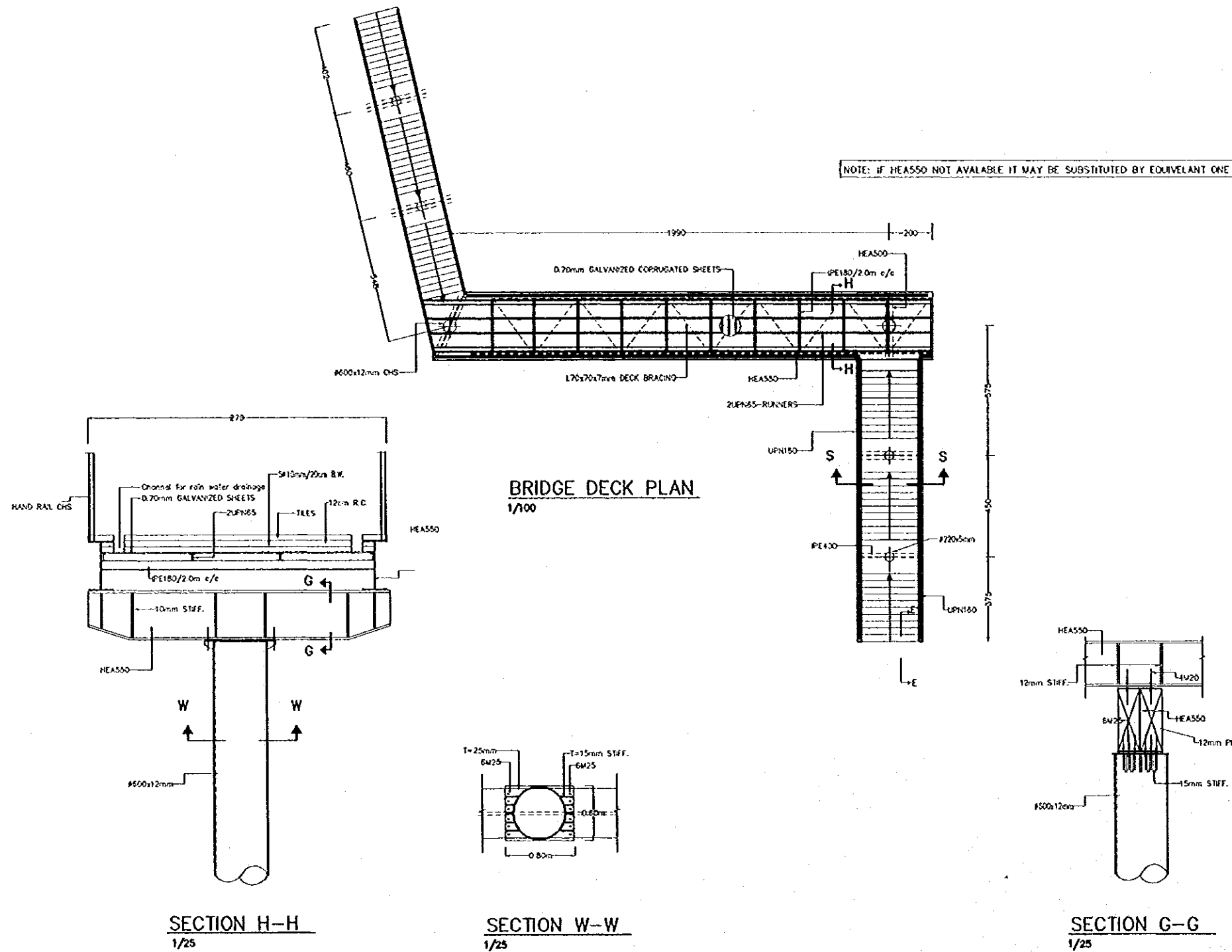
Scale:

As Shown

Drawing No.:

RBT . S911

NOTE: IF HEA550 NOT AVAILBLE IT MAY BE SUBSTITUTED BY EQUIVELANT ONE

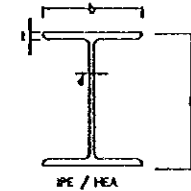


Tourism Sector Development Project
in the Hashemite Kingdom of Jordan

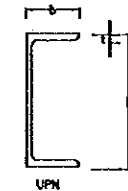
The Government of
the Hashemite Kingdom of Jordan
The Ministry of Tourism and Antiquities
The Ministry of Planning

Sub-Project:
Amman Downtown
Tourist Zone Development

Note:
• This detailed design has been executed by a team of consultants as shown below in accordance with the agreement between Japan International Cooperation Agency (JICA) and JICA Study Team.
• The copyright of this drawing rests with JICA.



IPE / HEA



UPN

MEMBER DESIG.	h mm	b mm	d mm	t mm
IPE500	500	200	10.2	18.0
IPE240	240	120	8.2	9.8
IPE180	180	91	5.3	8.0
IPE400	400	180	8.8	13.5
HEA340	330	300	9.5	16.5
HEA550	540	300	12.5	24.0
UPN85	65	42	5.5	7.5
UPN180	180	65	7.5	10.5

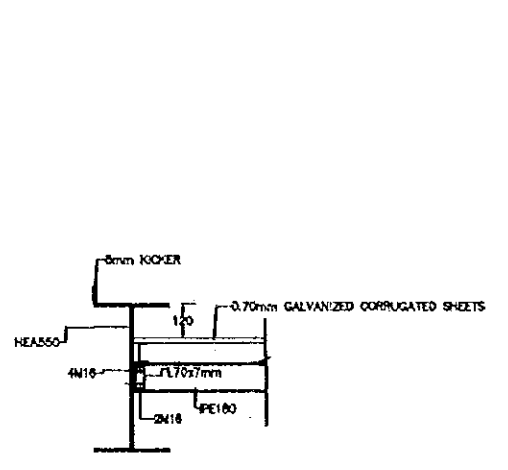
Designed by:
Japan International Cooperation Agency (JICA)
JICA Study Team:
Joint Venture of Pacific Consultants International and Yamato Settei Inc.
Subcontracted Local Consultant:
TIBAH Consultants Architects, Engineers

Raghadan Bus Terminal
Drawing Title:
Bridge 2
Sections And Details

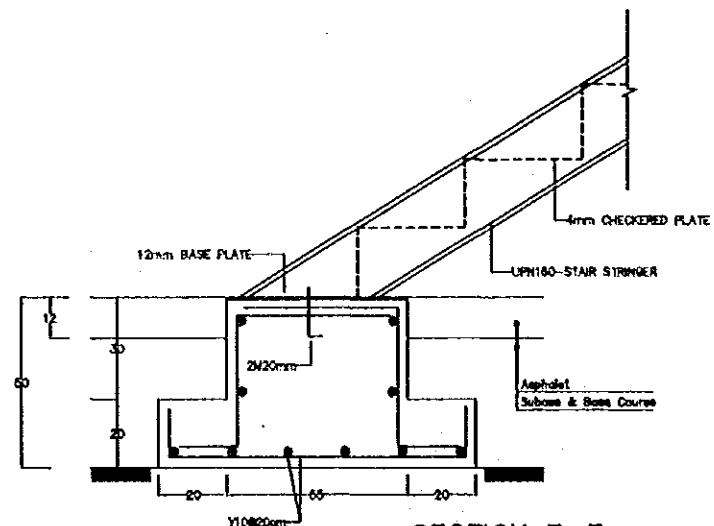
Scale: **As Shown** Drawing No: **RBT . S912**

NOTES: -

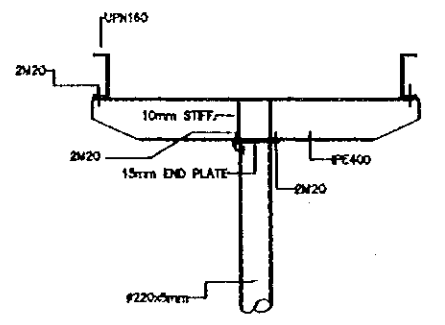
1. STRUCTURAL STEEL IS OF GRADE ST.37-2 TO DIN17100
2. BOLTS ARE OF GRADE (8.8) TO BS3692.(HIGH TENSILE BOLTS)
3. ANCHOR BOLTS ARE OF HIGH TENSILE STEEL GR.60
4. PAINTING IS OF MIN. 3-COATS OF ZINC CHROMATE PRIMER PLUS 2 LAYERS OF FINAL COAT.
5. WELDING IS OF ELECTRICAL TYPE OF E70 ELECTRODE.
6. MIN. FILLET WELD THICKNESS IS 6mm.



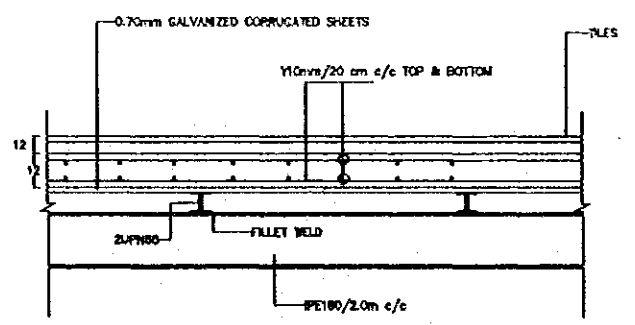
IPE180 WITH HEA550 CONNECTION
1/12.5



SECTION E-E
1/25



SECTION S-S
1/25



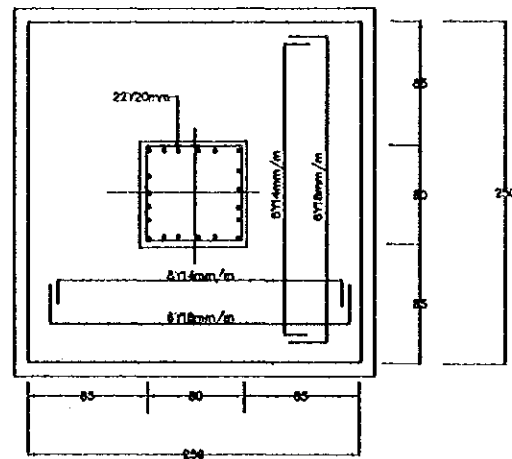
RUNNER CONNECTION DETAIL
1/25

Tourism Sector Development Project
in the Hashemite Kingdom of Jordan

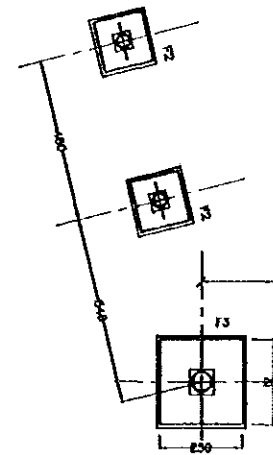
The Government of
the Hashemite Kingdom of Jordan
The Ministry of Tourism and Antiquities
The Ministry of Planning

Sub-Project:
Amman Downtown
Tourist Zone Development

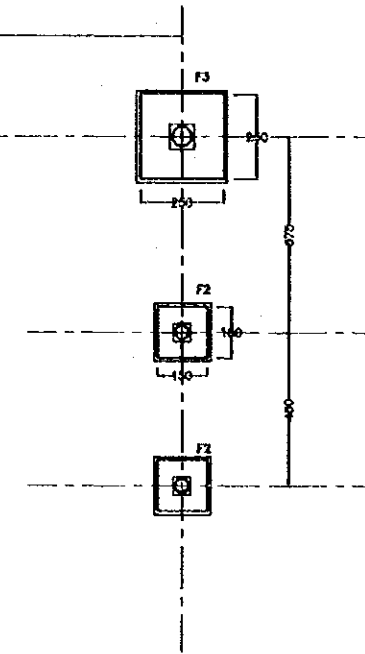
Note:
• This detailed design has been executed by a team
of consultant as shown below in accordance with
the agreement between Japan International
Cooperation Agency (JICA) and JICA Study
Team.
• The copyright of this drawing rests with JICA.



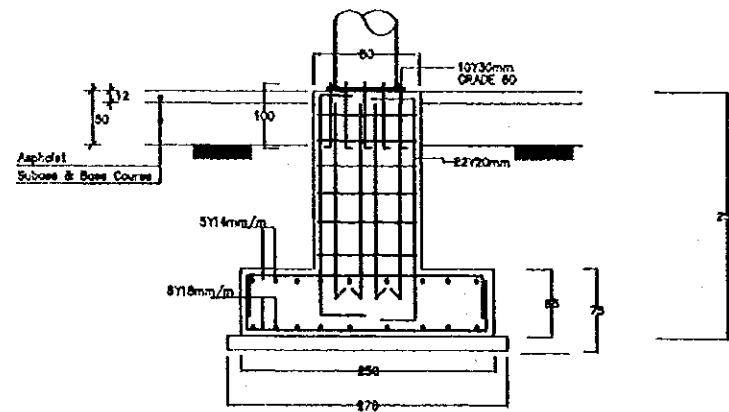
FOOTING PLAN -F3
1/25



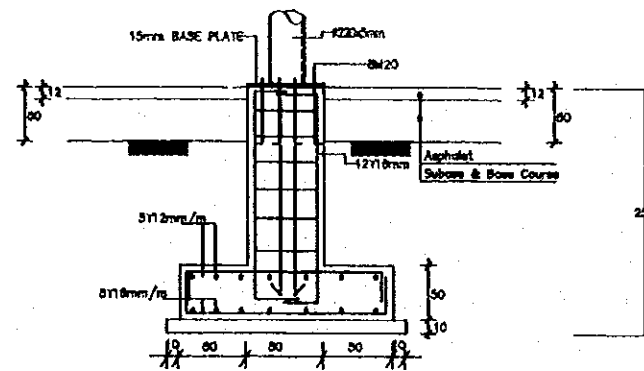
FOUNDATION PLAN
1/100



FOOTING PLAN -F2
1/25



SECTION IN F3
1/25



SECTION IN F2
1/25

Designed by:
Japan International Cooperation
Agency (JICA)
JICA Study Team:
Joint Venture of
Pacific Consultants International and
Yamashita Saito Inc.
Subcontracted Local Consultant:
TBAH Consultants
Architects, Engineers

Raghadon Bus Terminal

Drawing Title:
Bridge 2 Foundation Plan
And R.C Details

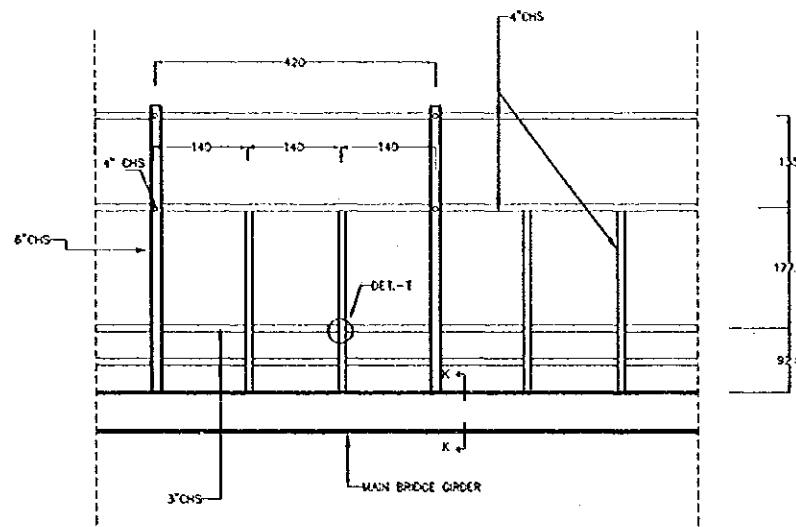
Scale:
As Shown Drawing No:
RBT. S913

Tourism Sector Development Project
in the Hashemite Kingdom of Jordan

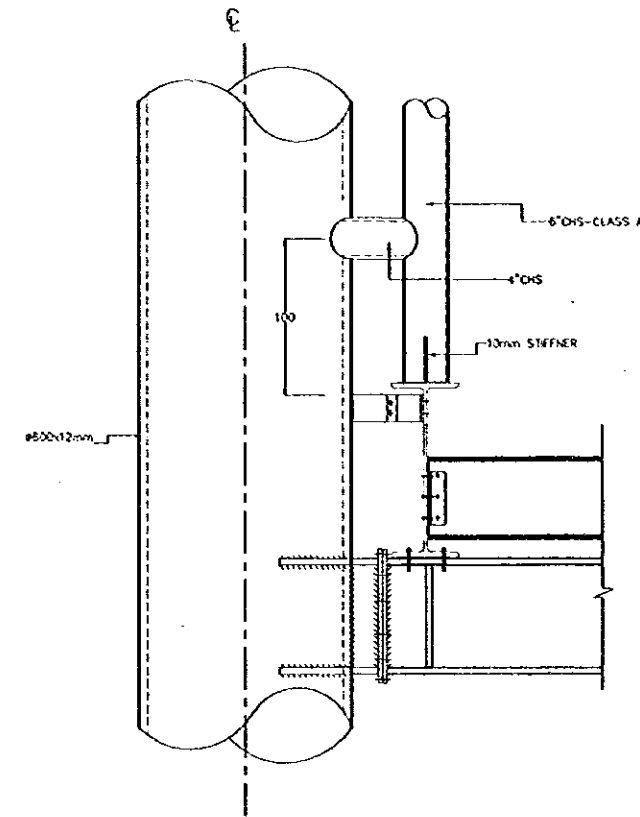
The Government of
the Hashemite Kingdom of Jordan
The Ministry of Tourism and Antiquities
The Ministry of Planning

Sub-Project:
Amman Downtown
Tourist Zone Development

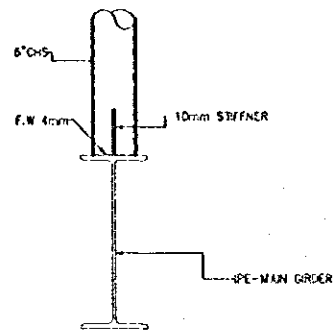
Note:
• This detailed design has been executed by a team
of consultants as shown below in accordance with
the agreement between Japan International
Cooperation Agency (JICA) and JICA Study
Team.
• The copyright of this drawing rests with JICA.



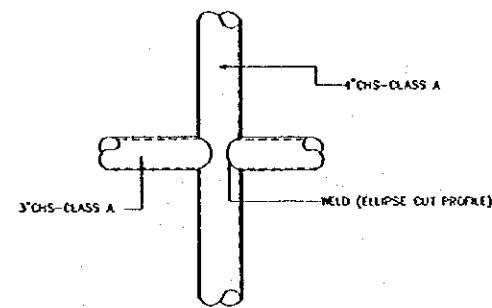
TYPICAL ELEVATION OF HAND-RAIL
1/50



MAIN COLUMN HAND-RAIL CONNECTION
1/20



SECTION K-K
1/20



DETAIL-I
1/20

Designed by:

Japan International Cooperation
Agency (JICA)

JICA Study Team:

Joint Venture of
Pacific Consultants International and
Yamashi Sektel Inc.

Subcontracted Local Consultant:

TBAH Consultants
Architects, Engineers

مهندسين معماريين
مهندسين ميكانيكيين



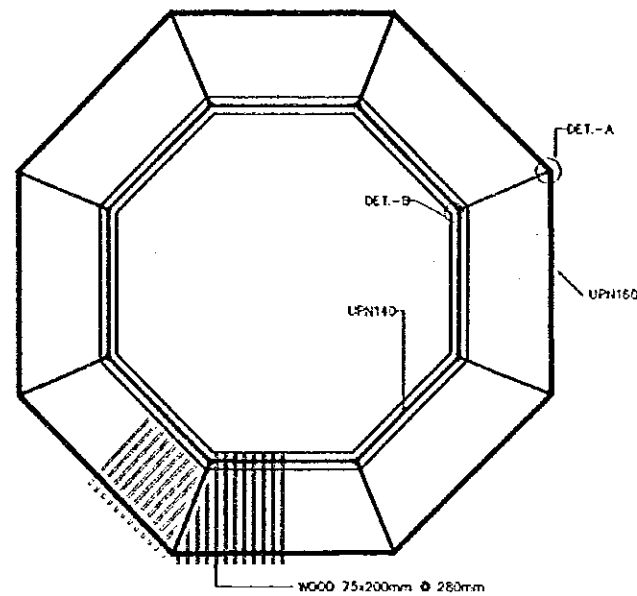
Raghadan Bus Terminal

Drawing Title:

Bridges handrail Details

Scale:
As Shown

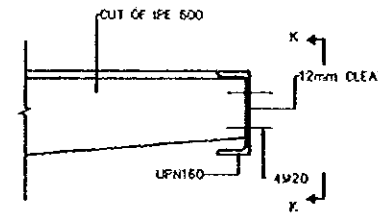
Drawing No:
RBT . S914



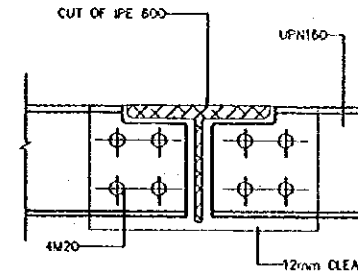
PLAN
1/100

NOTES: -

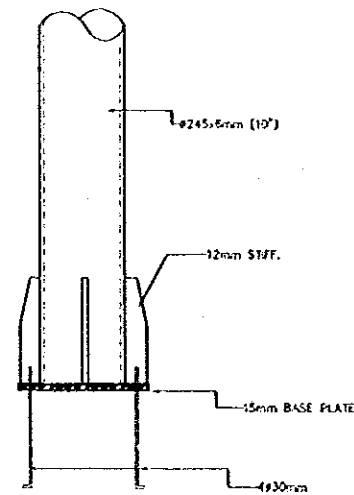
1. STRUCTURAL STEEL IS OF GRADE ST.37-2 TO DIN17100
2. BOLTS ARE OF GRADE (8.8) TO BS3692.
3. ANCHOR BOLTS ARE OF HIGH TENSILE STEEL GR.60
4. PAINTING IS OF MIN. 3-COATS OF ZINC CHROMATE PRIMER PLUS 2 LAYERS OF FINAL COAT.
5. WELDING IS OF ELECTRICAL TYPE OF E70 ELECTRODE.
6. MIN. FILLET WELD THICKNESS IS 6mm.



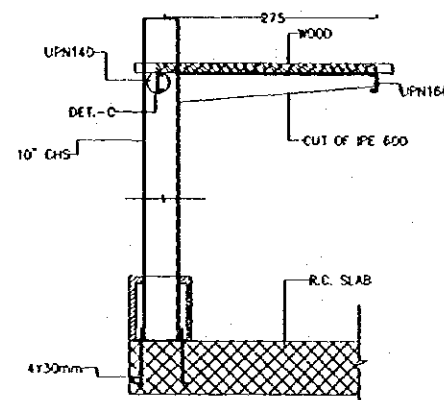
DETAIL-A
N.T.S



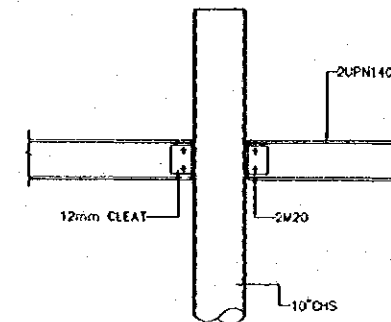
SEC. K-K
N.T.S



DET.-B (BASE PLATE)
N.T.S



TYPICAL SECTION IN COLUMN
1/100



DETAIL-C
N.T.S

Tourism Sector Development Project
in the Hashemite Kingdom of Jordan

The Government of
the Hashemite Kingdom of Jordan
The Ministry of Tourism and Antiquities
The Ministry of Planning

Sub Project:
Amman Downtown
Tourist Zone Development

Note:
• This detailed design has been executed by a team of consultants as shown below in accordance with the agreement between Japan International Cooperation Agency (JICA) and JICA Study Team.
• The copyright of this drawing rests with JICA.

Designed by:

Japan International Cooperation Agency (JICA)

JICA Study Team:

Joint Venture of
Pacific Consultants International and
Yamashita Sekkei Inc.

Subcontracted Local Consultant:

TBAH Consultants
Architect, Engineers

مهندسين معماريين ومهندسين ميكانيكيين



Raghadan Bus Terminal

Drawing title:

Octagonal Pergola Details
Zone 3

Scale:

As Shown

Drawing No.:

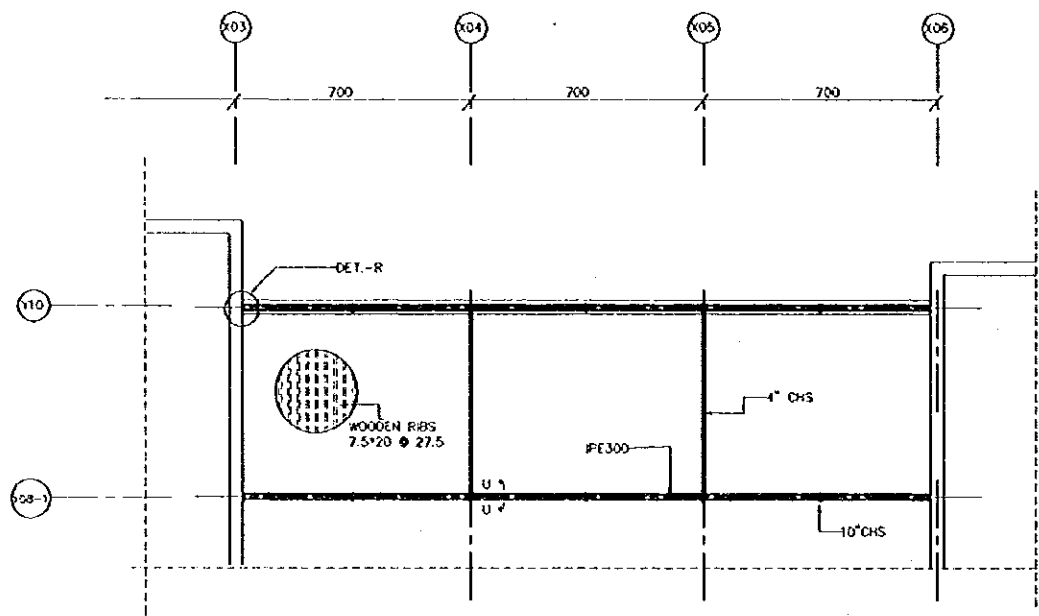
RBT . S920

Tourism Sector Development Project
in the Hashemite Kingdom of Jordan

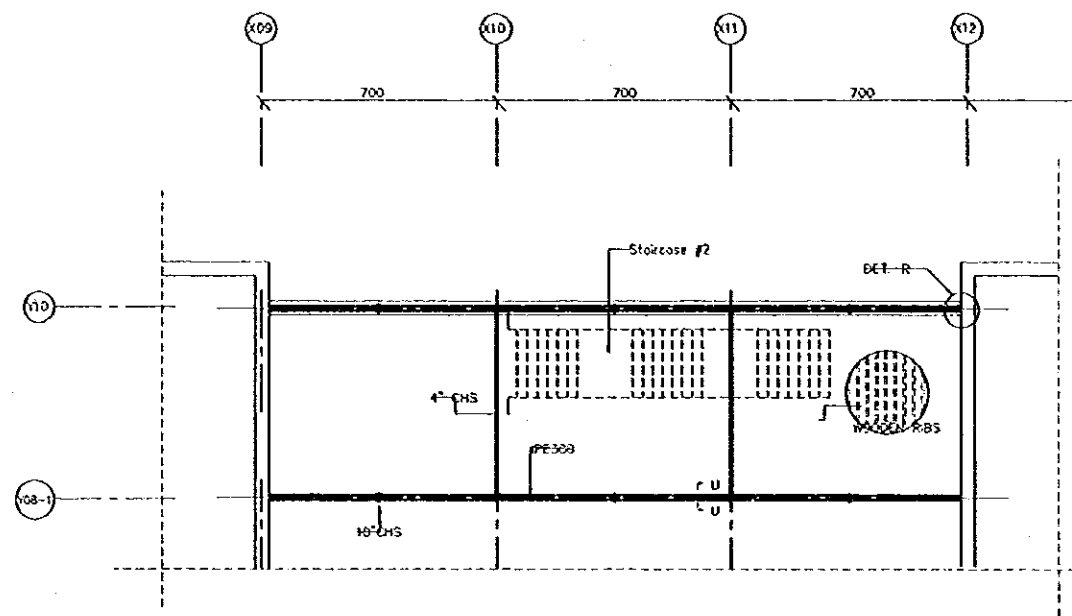
The Government of
the Hashemite Kingdom of Jordan
The Ministry of Tourism and Antiquities
The Ministry of Planning

Sub-Project:
Amman Downtown
Tourist Zone Development

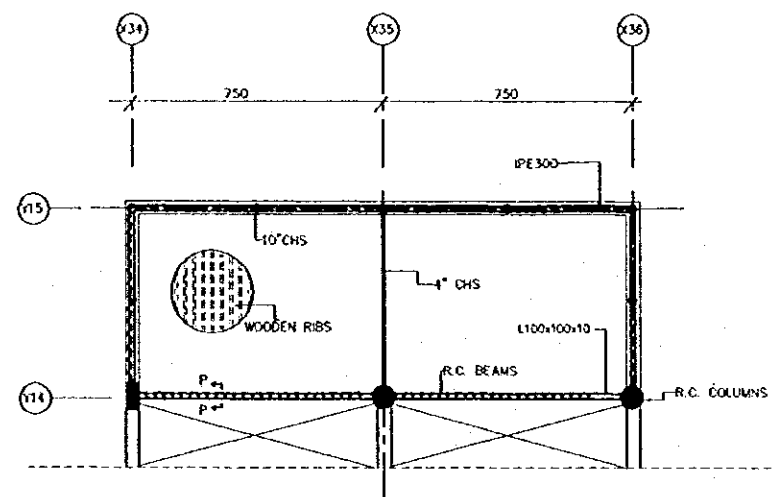
Note:
• This detailed design has been executed by a team of consultants as shown below in accordance with the agreement between Japan International Cooperation Agency (JICA) and JICA Study Team.
• The copyright of this drawing rests with JICA.



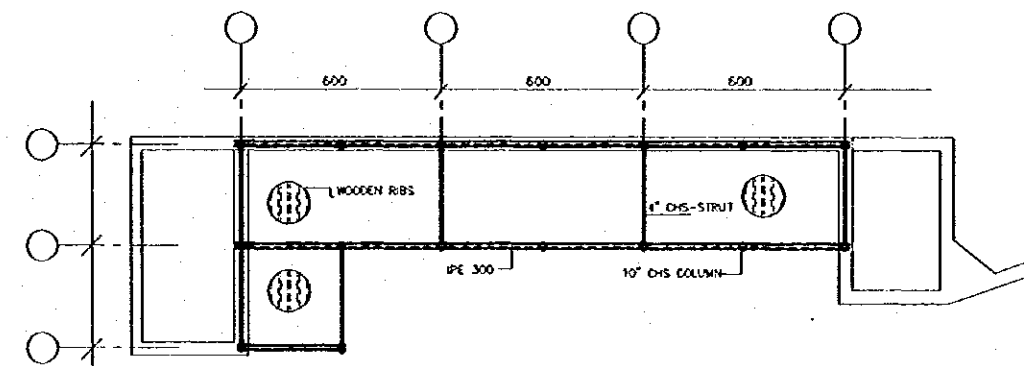
PLAN OF WOODEN PERGULA-ZONE 1
1/100



PLAN OF WOODEN PERGULA-ZONE 2
1/100



PLAN OF WOODEN PERGULA-ZONE (5)
1/100



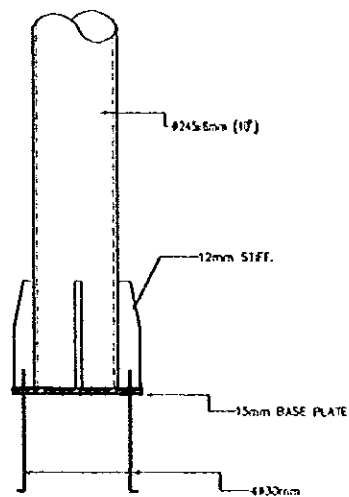
PLAN OF WOODEN PERGULA-ZONE 6
1/100

Designed by:
Japan International Cooperation
Agency (JICA)
JICA Study Team:
Joint Venture of
Pacific Consultants International and
Yamashita Sekkei Inc.
Subcontracted Local Consultant:
TBAH Consultant's
Architect, Engineers
مهندسين معماريين ومهندسين

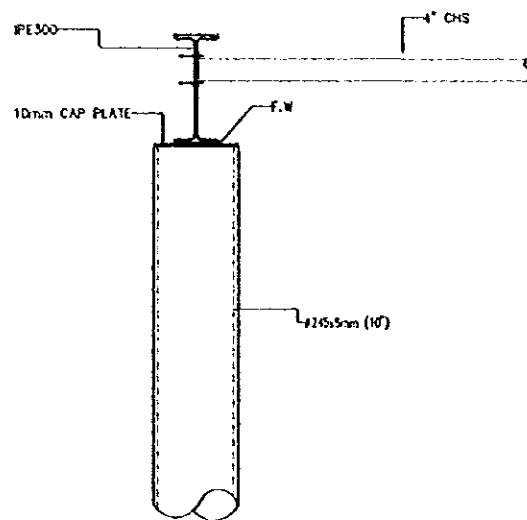
Raghadan Bus Terminal

Drawing title:
Pergolas Plans
Zone 1, 2 & 5

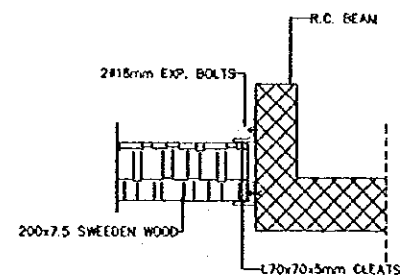
Scale: As Shown Drawing No.: RBT. S921



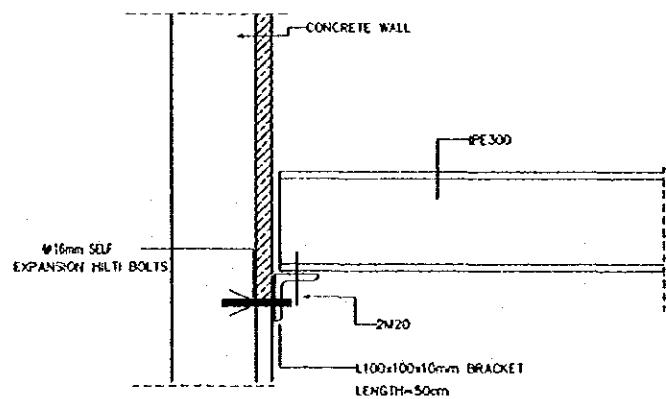
BASE PLATE DETAIL
N.T.S



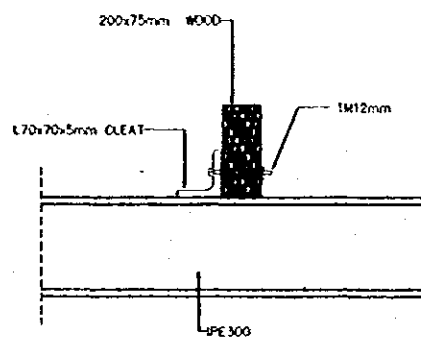
SECTION U-U
N.T.S



SECTION P-P
N.T.S



DETAIL -R
1/20



DETAIL OF WOOD CONNECTION
N.T.S

Tourism Sector Development Project
in the Hashemite Kingdom of Jordan

The Government of
the Hashemite Kingdom of Jordan
The Ministry of Tourism and Antiquities
The Ministry of Planning

Sub-Project:
Amman Downtown
Tourist Zone Development

Note:
• This detailed design has been executed by a team
of consultants as shown below in accordance with
the agreement between Japan International
Cooperation Agency (JICA) and JICA Study
Team.
• The copyright of this drawing rests with JICA.

Designed by:
Japan International Cooperation
Agency (JICA)
JICA Study Team:
Joint Venture of
Pacific Consultants International and
Yamashi Seiki Inc.
Subcontracted Local Consultant:
TIRAH Consultants
Architects, Engineers

Raghadan Bus Terminal

Drawing Title:
Pergolas Details
Zone 1, 2 & 5

Scale:
As Shown

Drawing No.:
RBT. S922

JICA