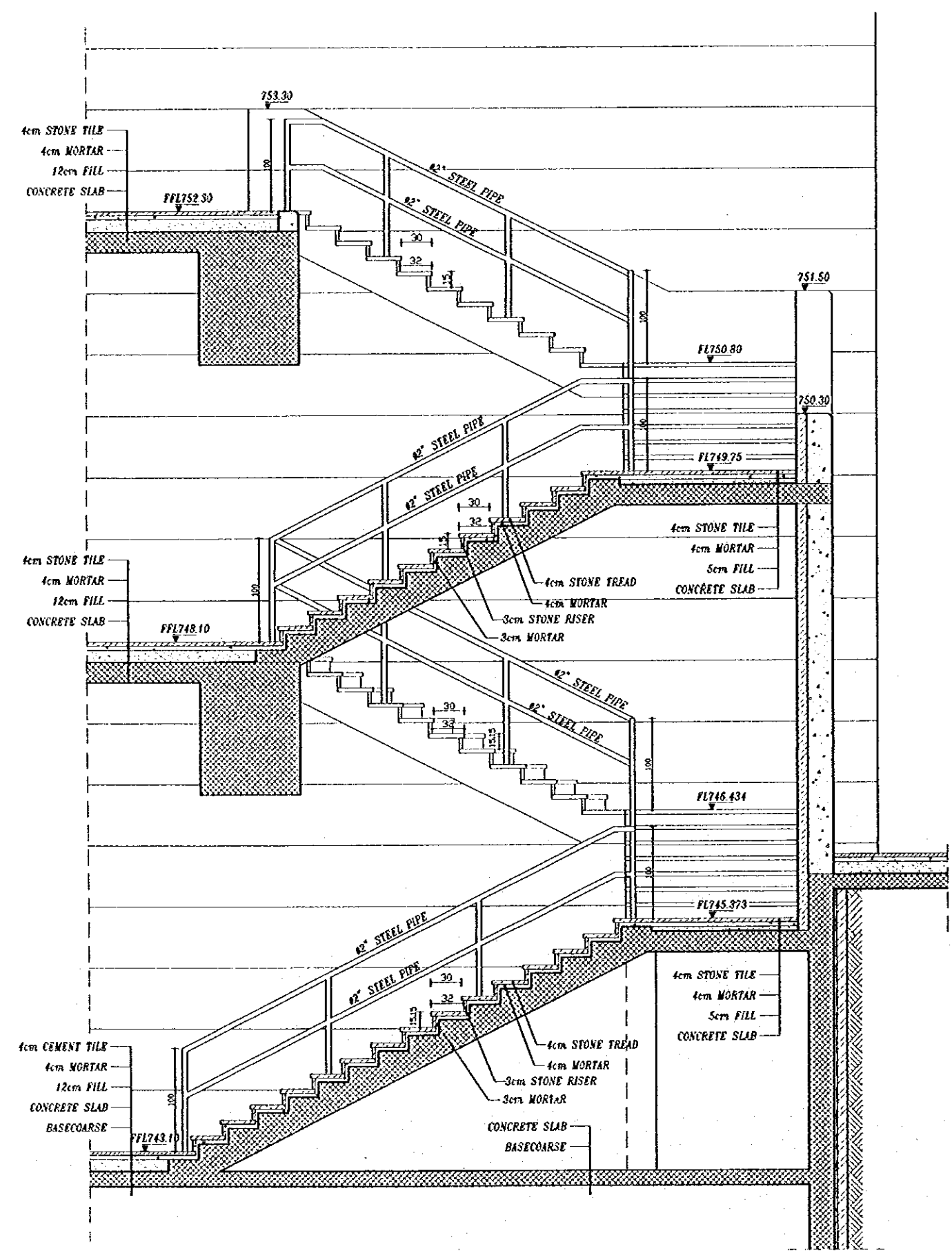
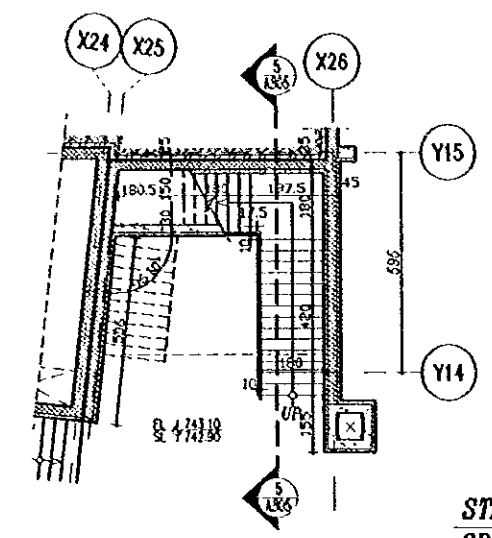


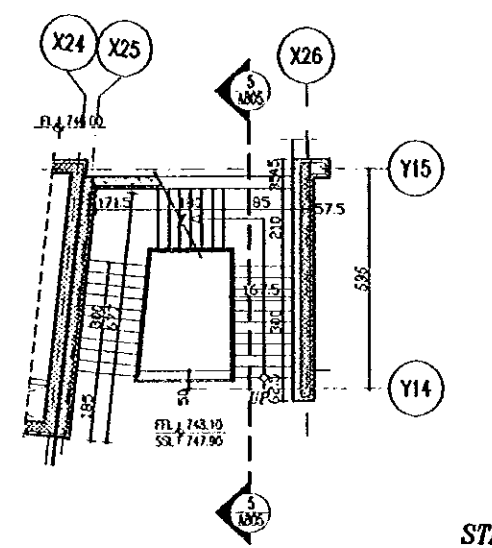
Note:  
• This detailed design has been executed by a team of consultants as shown below in accordance with the agreement between Japan International Cooperation Agency (JICA) and JICA Study Team.  
• The copyright of this drawing rests with JICA.



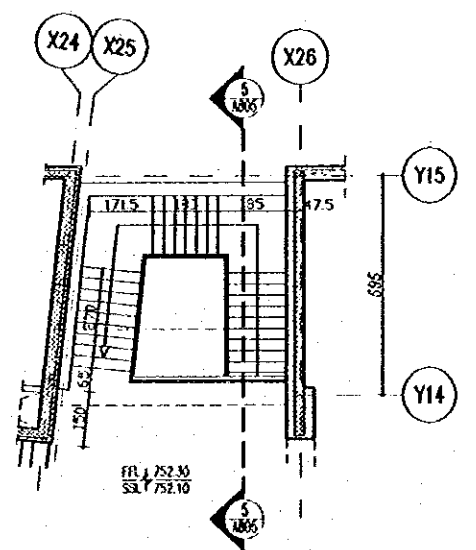
SECTION 5-5  
1/25



STAIRCASE # 5  
GROUND FLOOR  
1/100



STAIRCASE # 5  
FIRST FLOOR  
1/100



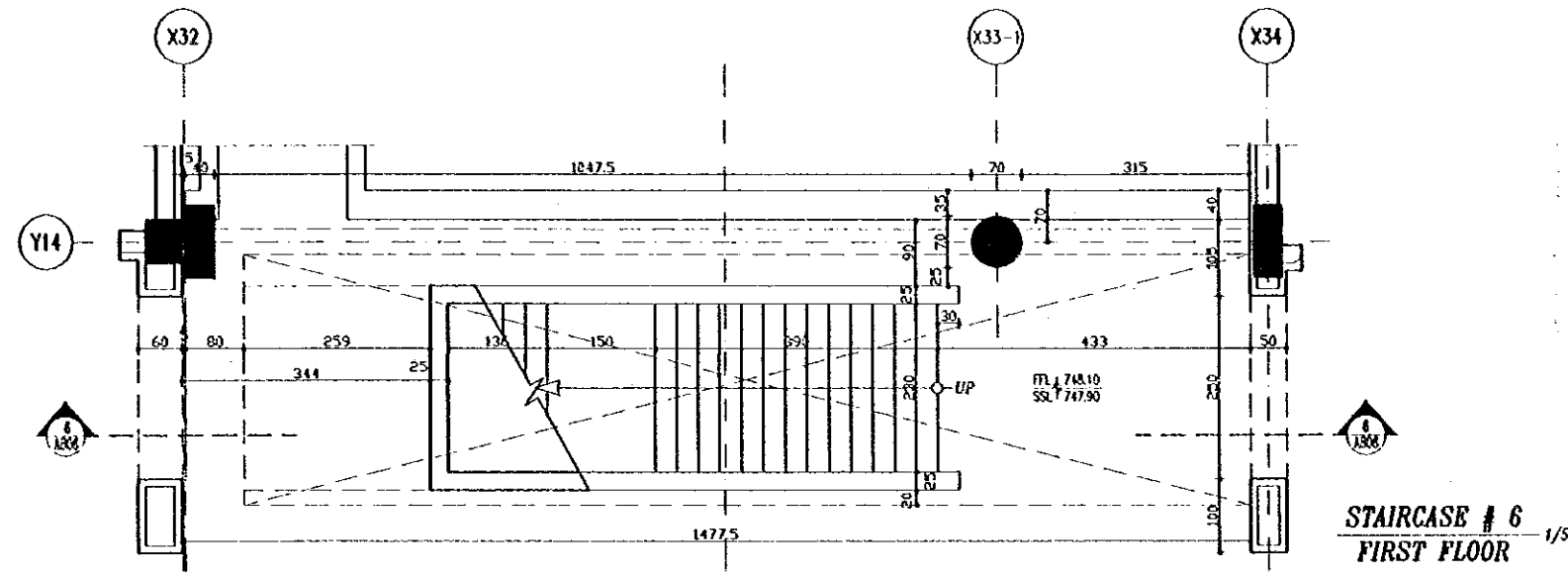
STAIRCASE # 5  
SECOND FLOOR  
1/100

Designed by:  
Japan International Cooperation Agency (JICA)  
JICA Study Team:  
Joint Venture of Pacific Consultants International and Yamasita Sekkei Inc.  
Subcontracted Local Consultant:  
TIBAH Consultants  
Architects, Engineers

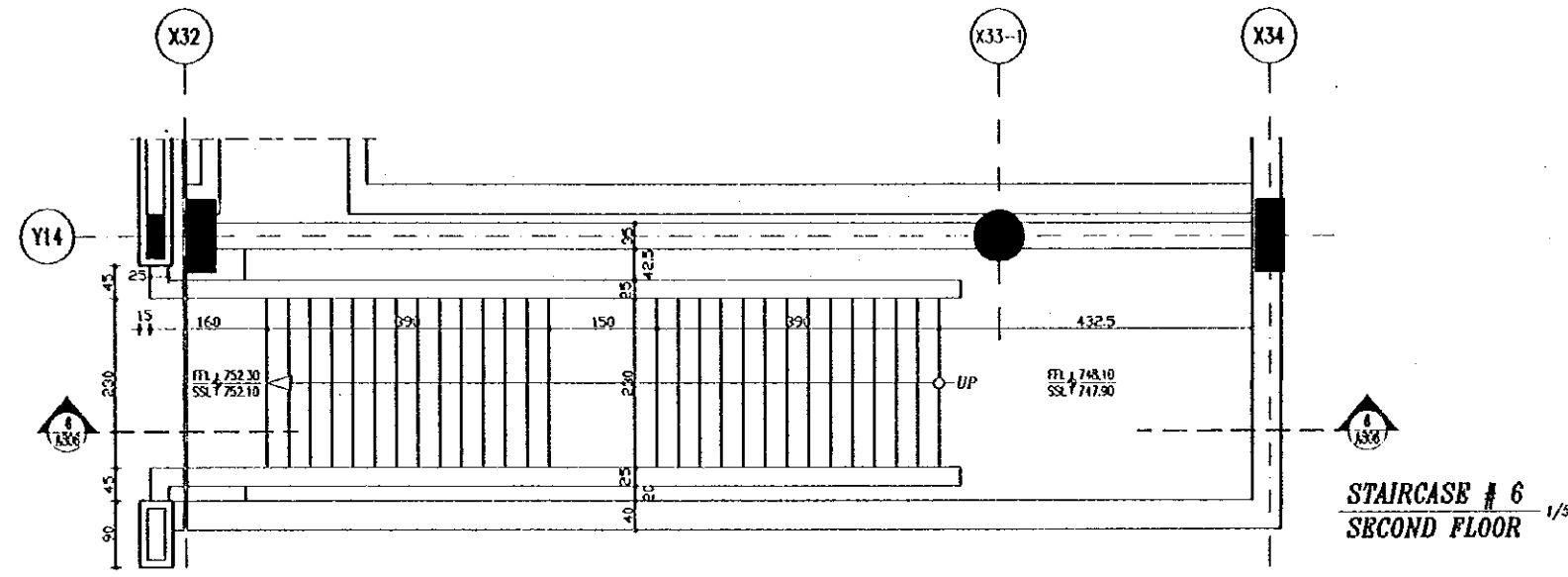
Raghadan Bus Terminal  
Drawing Title:  
STAIRCASE #5 DETAILS

Scale: VAR  
Drawing No.: RBT . A805

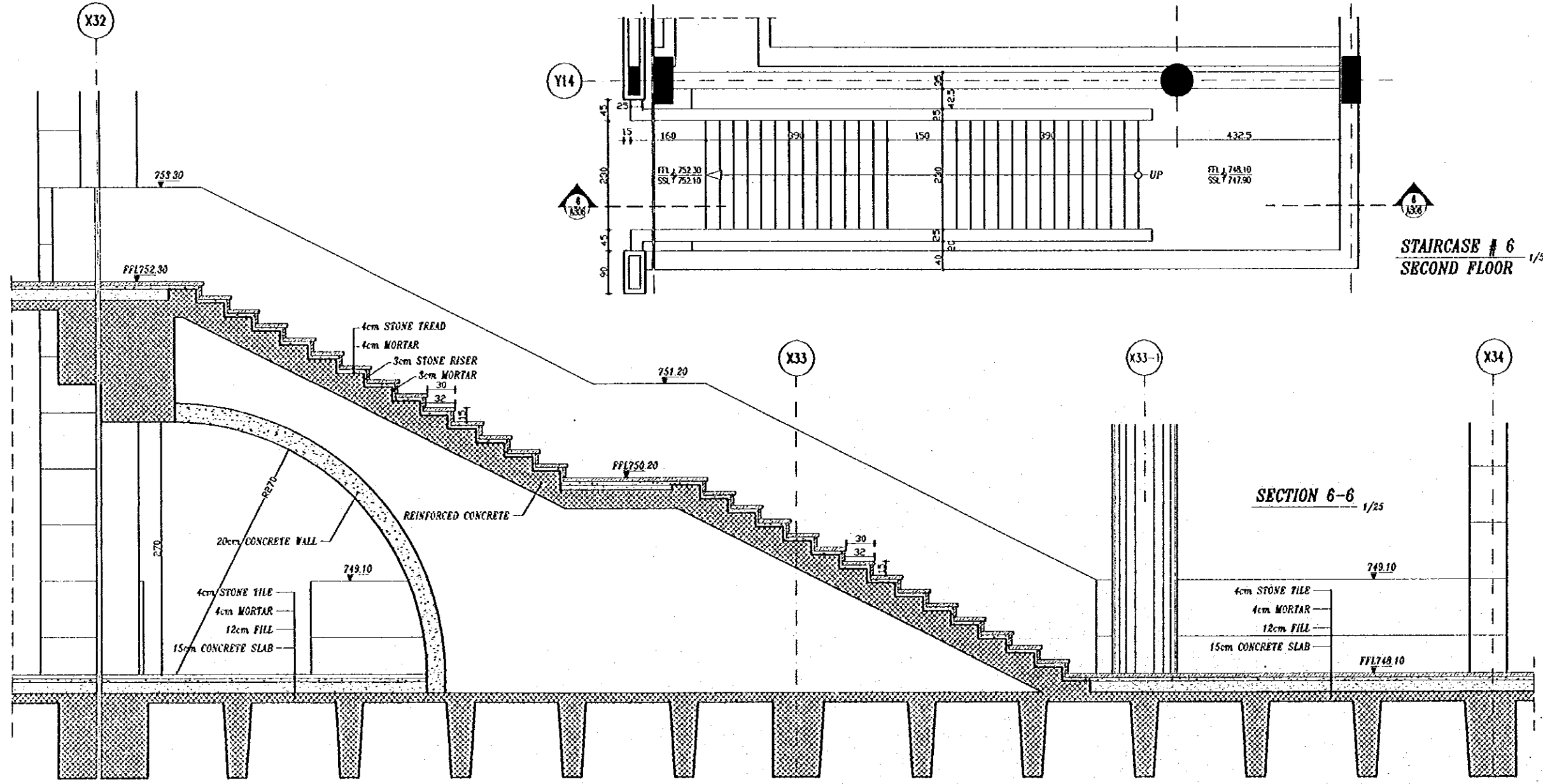
Note:  
• This detailed design has been executed by a team of consultants as shown below in accordance with the agreement between Japan International Cooperation Agency (JICA) and JICA Study Team.  
• The copyright of this drawing rests with JICA.



**STAIRCASE # 6**  
**FIRST FLOOR** 1/50



**STAIRCASE # 6**  
**SECOND FLOOR** 1/50



**SECTION 6-6** 1/25

Designed by:  
Japan International Cooperation  
Agency (JICA)

JICA Study Team:  
Joint Venture of  
Pacific Consultants International and  
Yamasita Sekkei Inc.

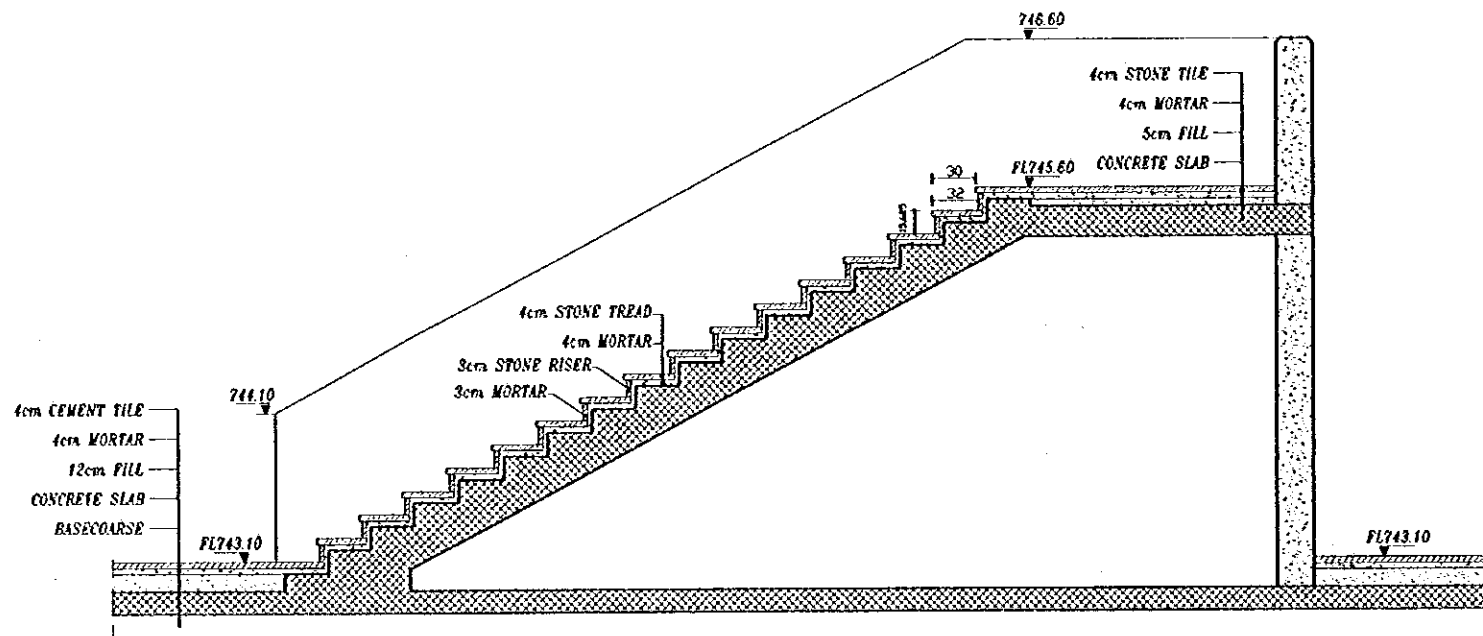
Subcontracted Local Consultant:  
TBAH Consultants  
Architects, Engineers

Raghadan Bus Terminal

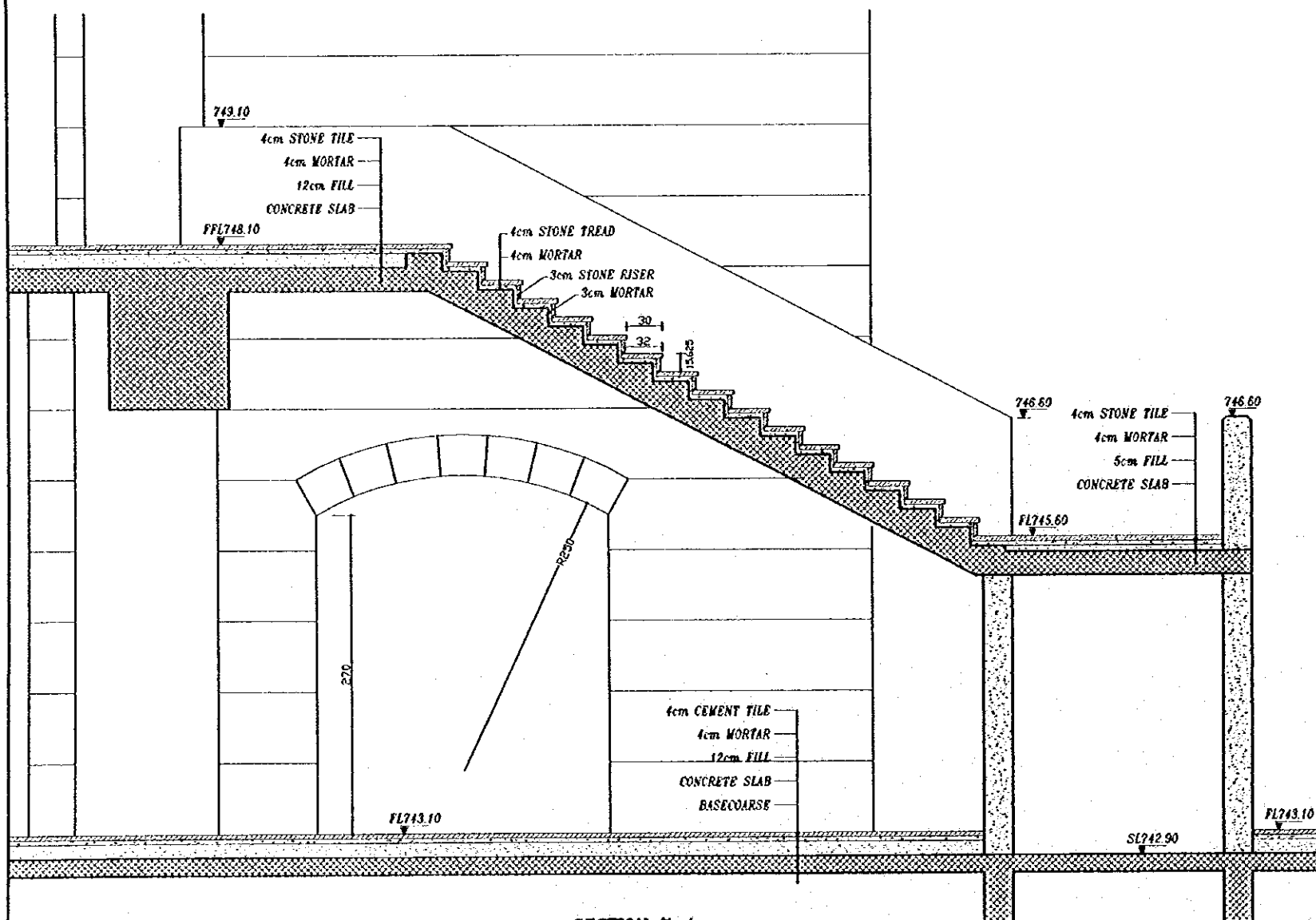
Drawing Title:  
**STAIRCASE #6 DETAILS**

Scale: VAR Drawing No: RBT . A806

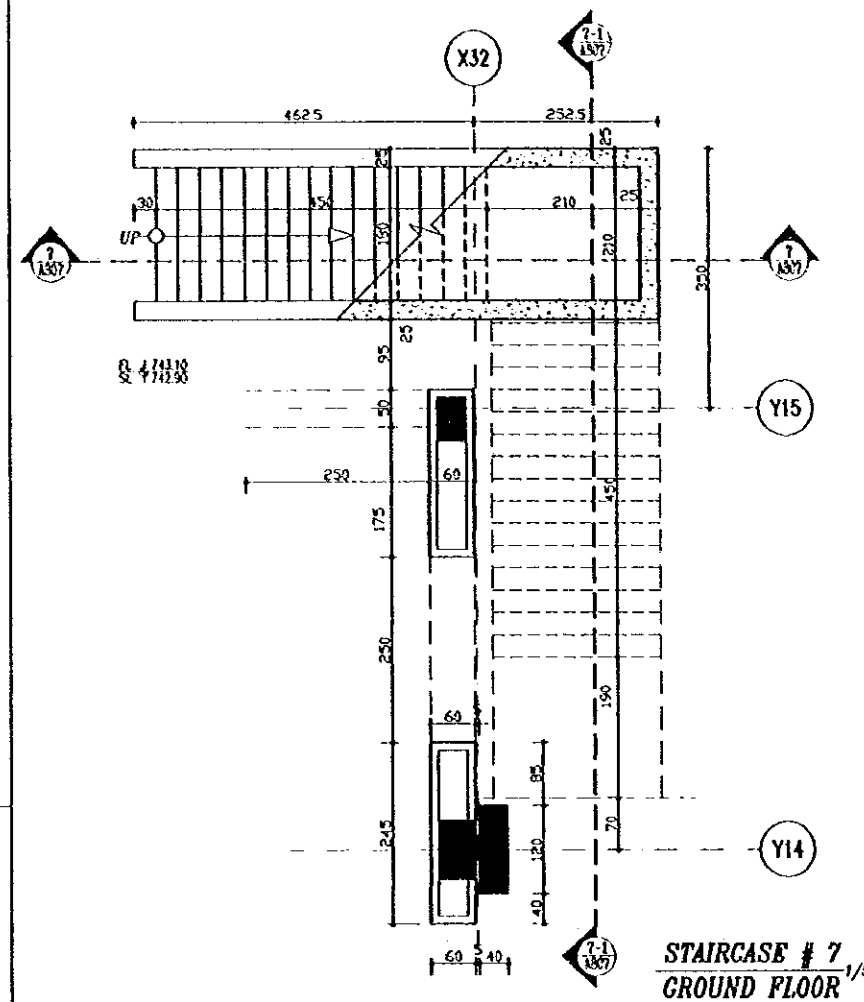
Note:  
• This detailed design has been executed by a team  
of consultants as shown below in accordance with  
the agreement between Japan International  
Cooperation Agency (JICA) and JICA Study  
Team.  
• The copyright of this drawing rests with JICA.



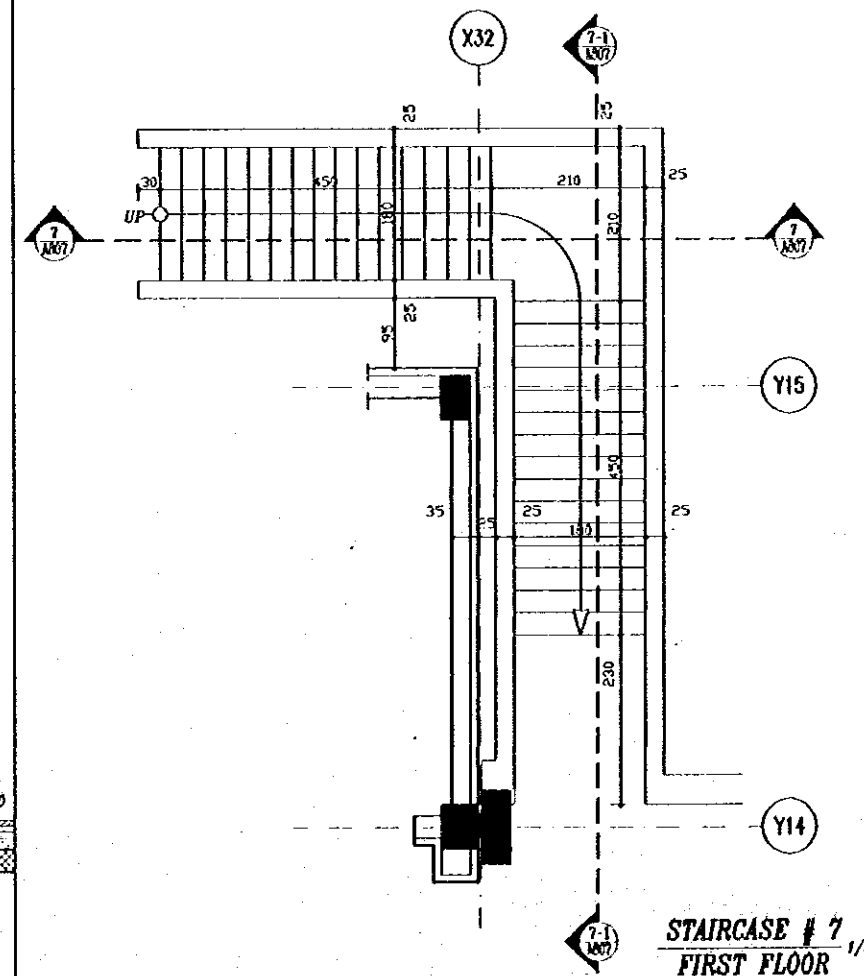
SECTION 7-7  
1/25



SECTION 7-1  
1/25



STAIRCASE # 7  
GROUND FLOOR  
1/50



STAIRCASE # 7  
FIRST FLOOR  
1/50

Designed by:  
Japan International Cooperation  
Agency (JICA)

JICA Study Team:  
Joint Venture of  
Pacific Consultants International and  
Yamasita Sekkei Inc.

Subcontracted Local Consultant:  
TIBAH Consultants  
Architects, Engineers

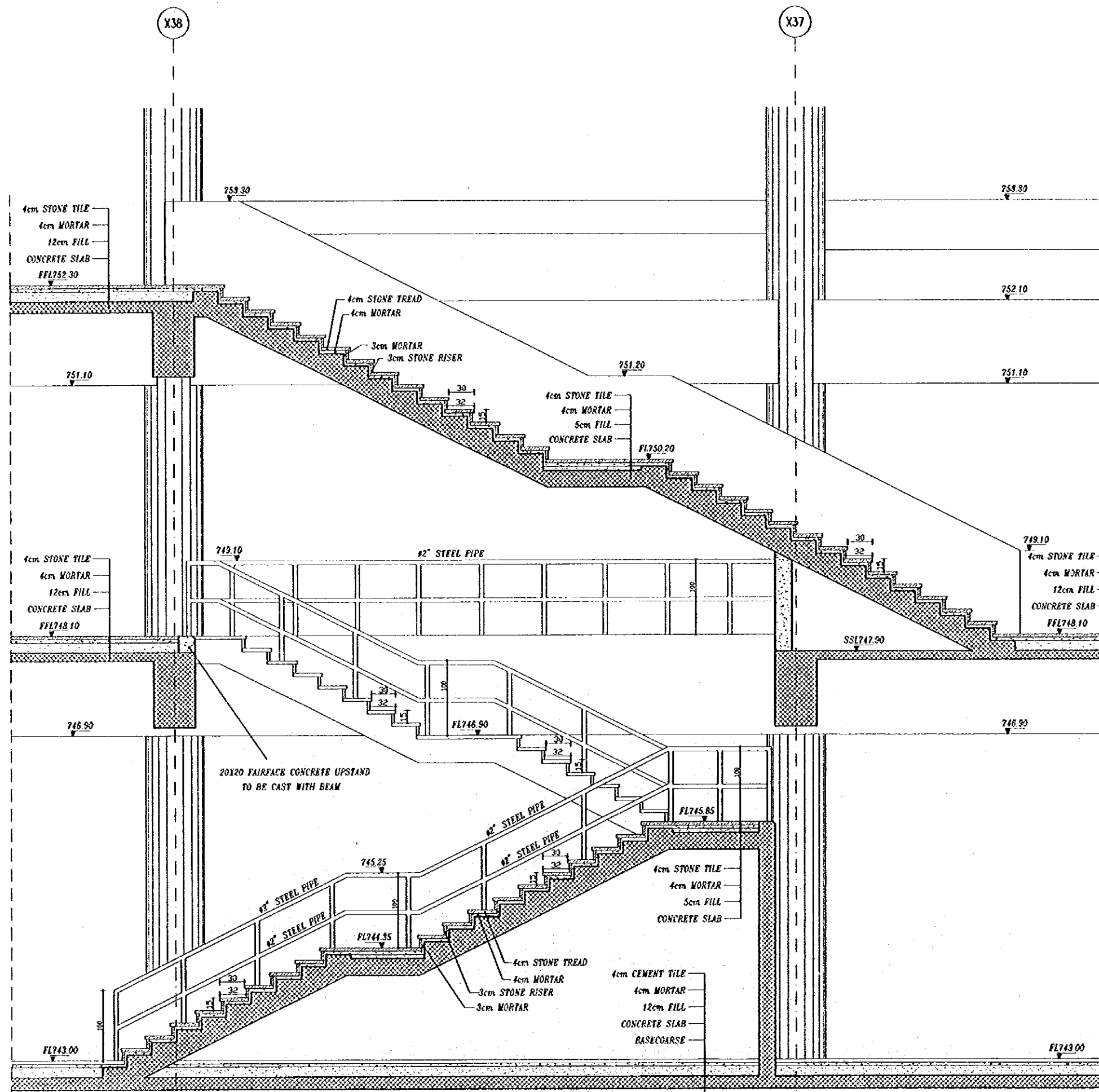
Raghadan Bus Terminal

Drawing Title:  
STAIRCASE #7 DETAILS

Scale: VAR Drawing No: RBT . A807



Note:  
• This detailed design has been executed by a team of consultants as shown below in accordance with the agreement between Japan International Cooperation Agency (JICA) and JICA Study Team.  
• The copyright of this drawing rests with JICA.



Designed by:  
Japan International Cooperation Agency (JICA)

JICA Study Team:  
Joint Venture of  
Pacific Consultants International and  
Yamashita Sekkei Inc.

Subcontracted Local Consultant:

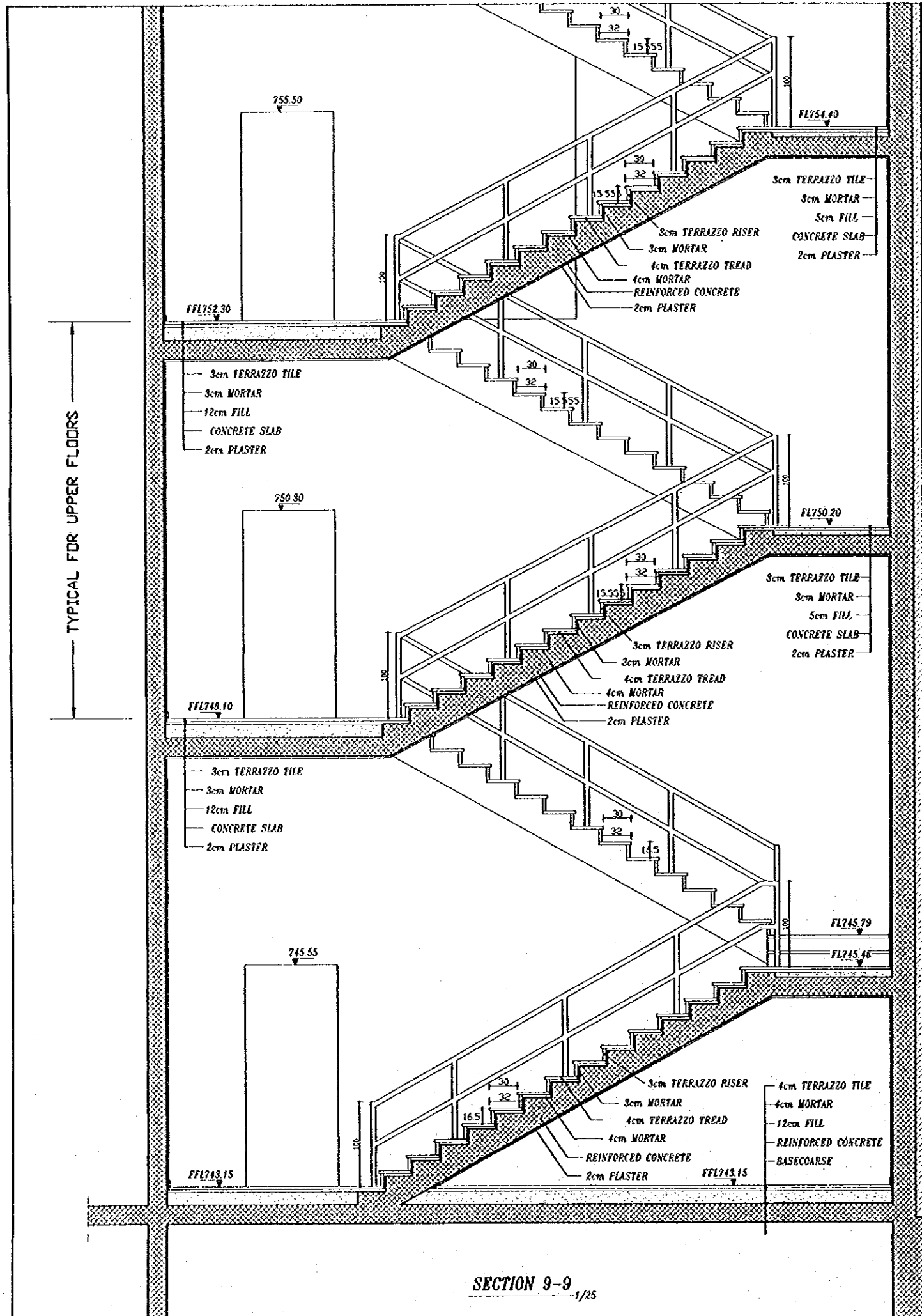
TBAH Consultants  
Architects, Engineers

Raghadan Bus Terminal

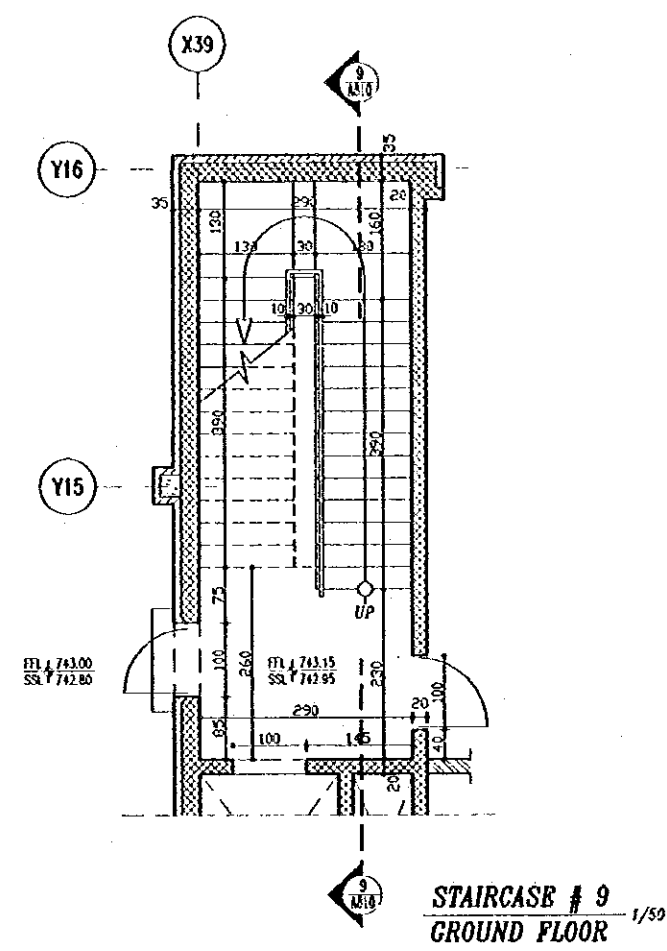
Drawing Title:  
STAIRCASE #8 DETAILS  
SECTION 8-8

Scale: 1/25 Drawing No.: RBT.A809

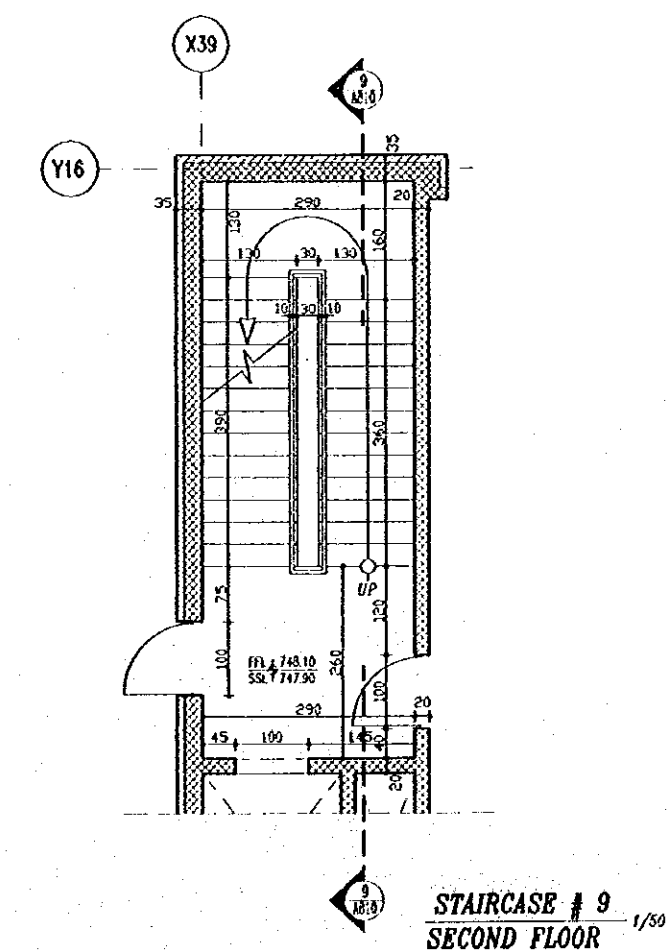
Note:  
• This detailed design has been executed by a team  
of consultants as shown below in accordance with  
the agreement between Japan International  
Cooperation Agency (JICA) and JICA Study  
Team.  
• The copyright of this drawing rests with JICA.



SECTION 9-9  
1/25



STAIRCASE # 9  
GROUND FLOOR  
1/50



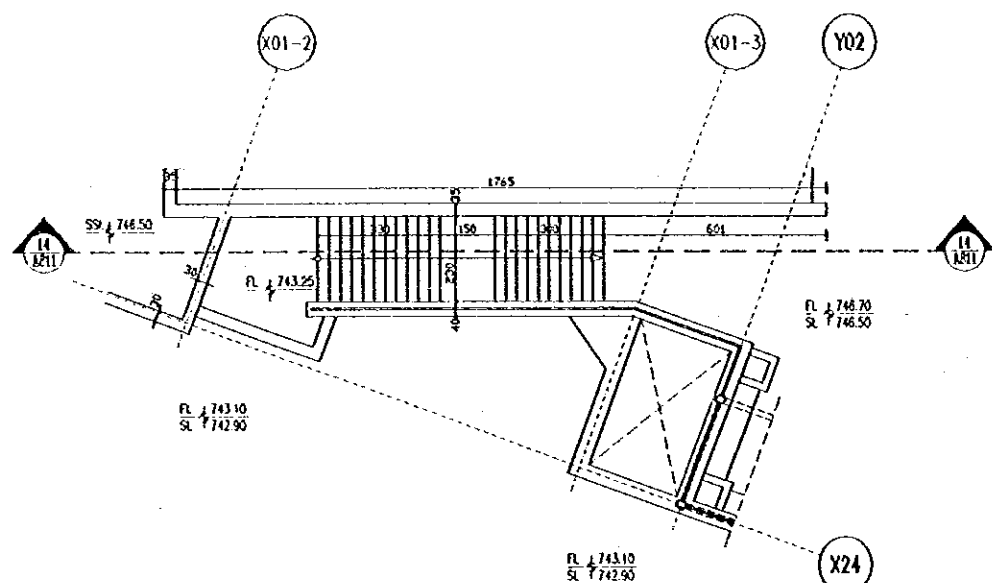
STAIRCASE # 9  
SECOND FLOOR  
1/50

Designed by:  
Japan International Cooperation  
Agency (JICA)  
JICA Study Team:  
Joint Venture of  
Pacific Consultants International and  
Yamasita Sekkei Inc.  
Subcontracted Local Consultant:  
TIBAH Consultants  
Architects, Engineers

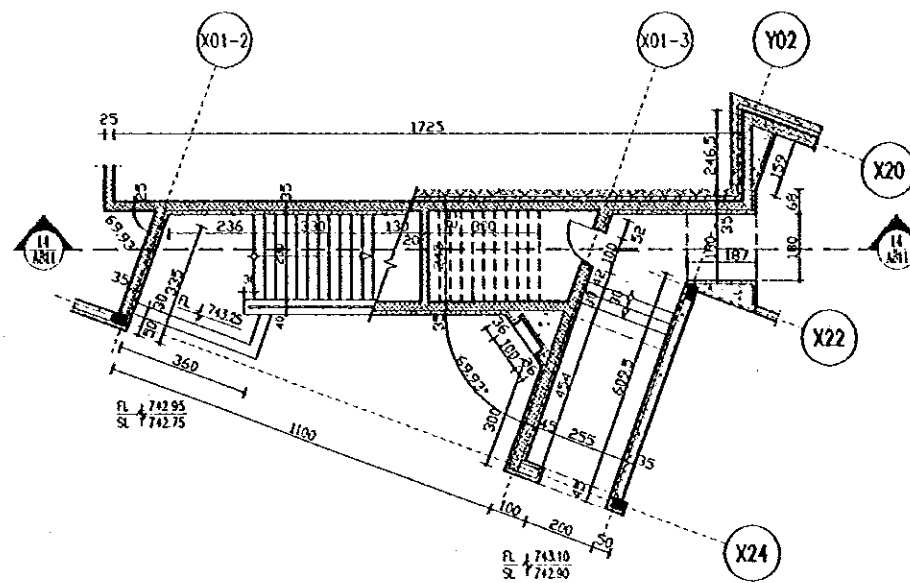
Raghadan Bus Terminal  
Drawing Title:  
STAIRCASE #9 DETAILS

Scale: VAR Drawing No: RBT.A810

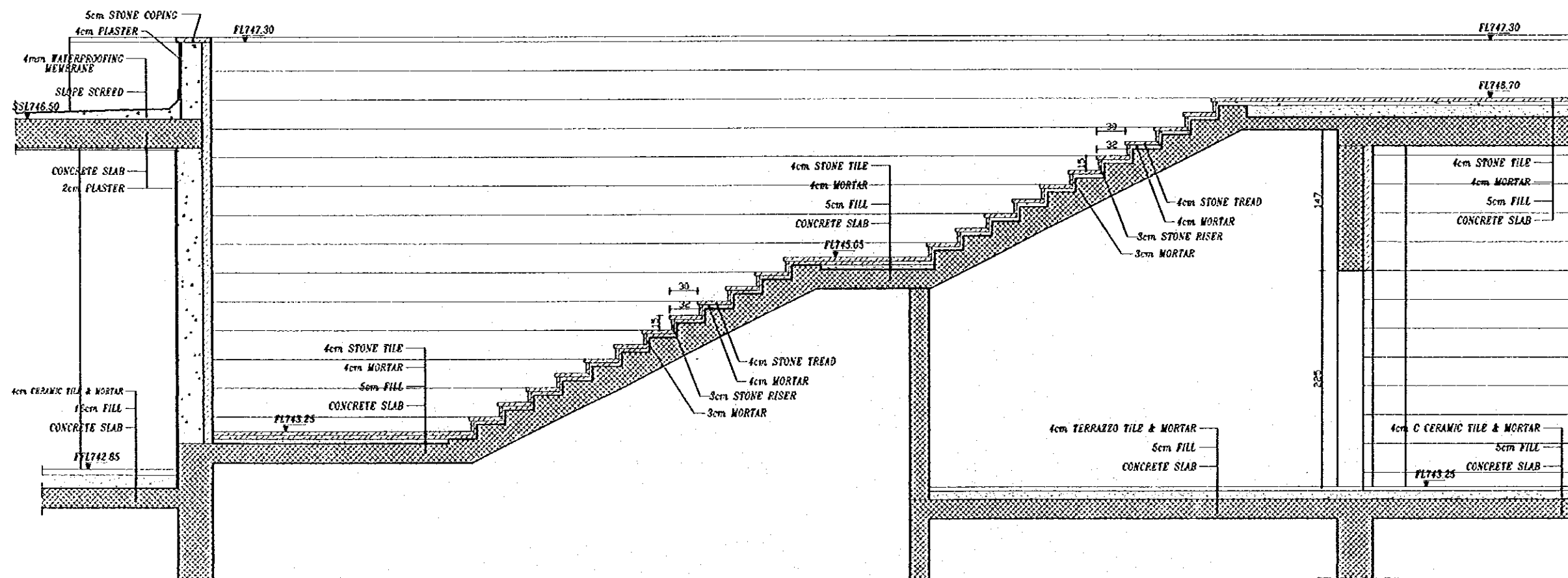
Note:  
• This detailed design has been executed by a team of consultants as shown below in accordance with the agreement between Japan International Cooperation Agency (JICA) and JICA Study Team.  
• The copyright of this drawing rests with JICA.



**STAIRCASE # 14**  
**FIRST FLOOR** 1/100



**STAIRCASE # 14**  
**GROUND FLOOR** 1/100



**SECTION 14-14** 1/25

Designed by:  
Japan International Cooperation Agency (JICA)  
JICA Study Team:  
Joint Venture of  
Pacific Consultants International and  
Yamashita Seki & Co. Inc.

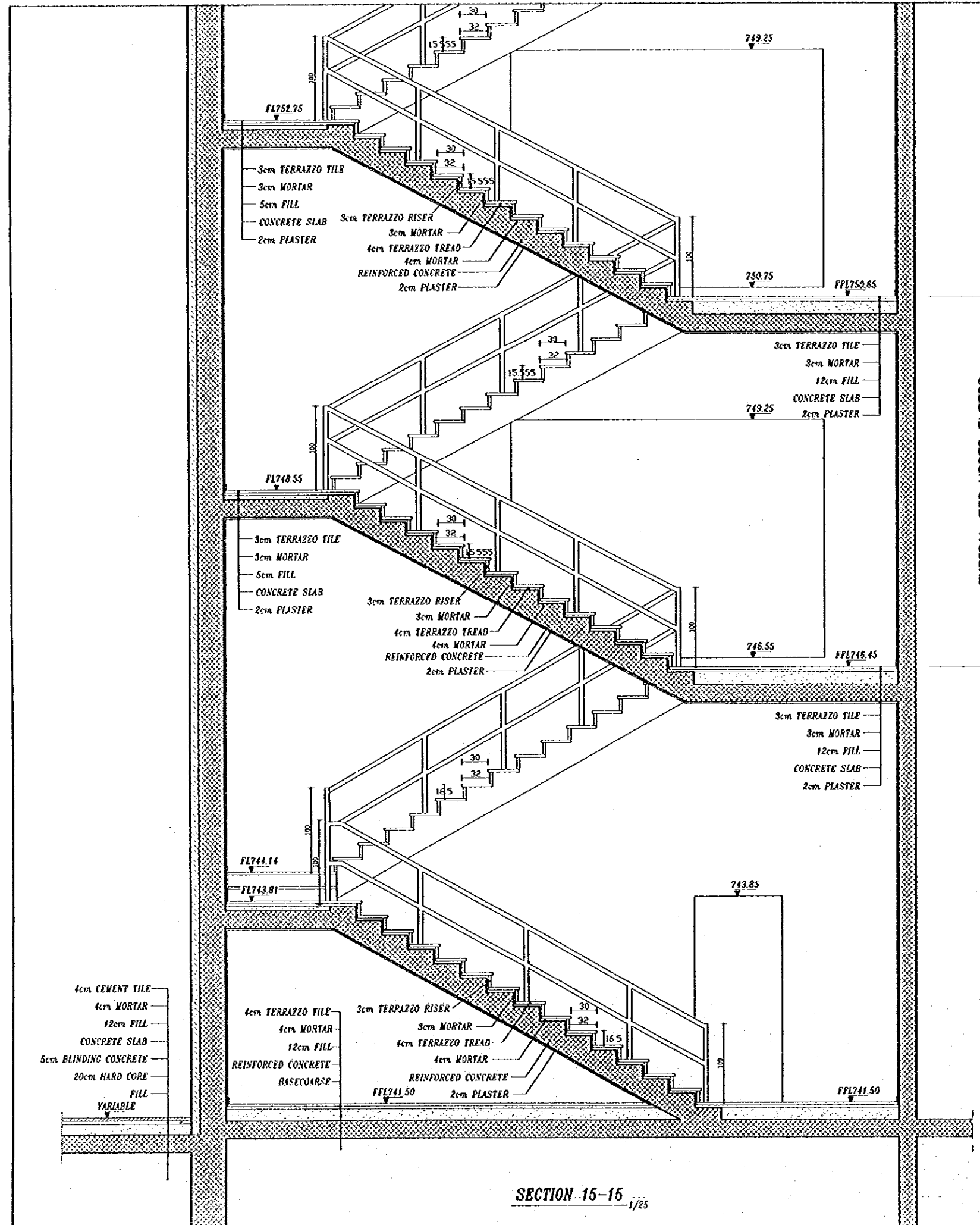
Subcontracted Local Consultant:  
**TBAH** Consultants  
Architects, Engineers

Raghadan Bus Terminal

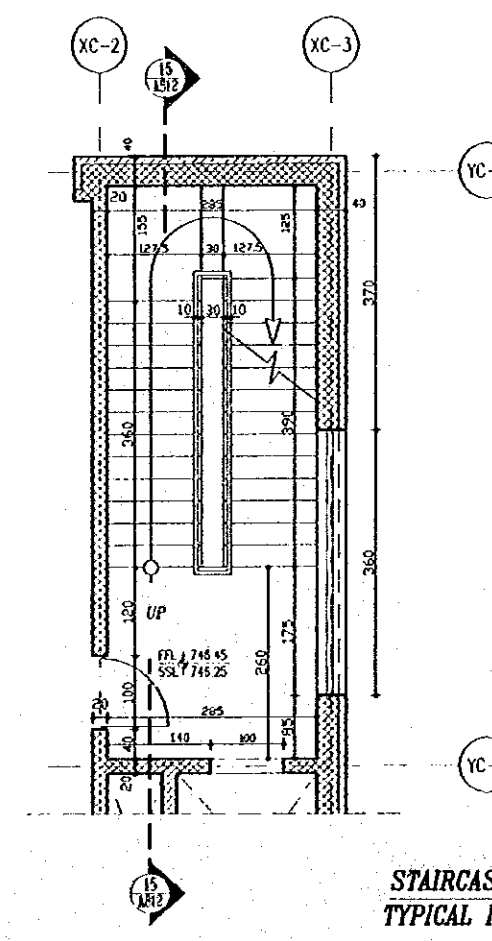
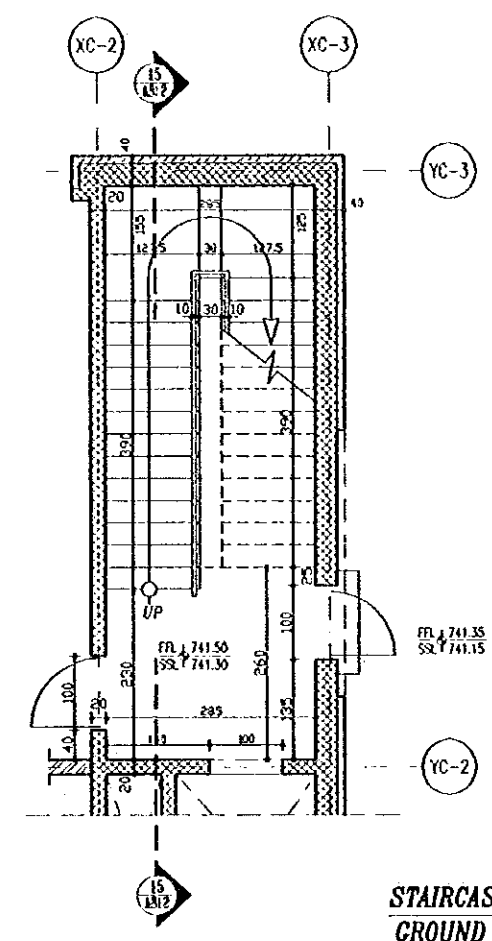
Drawing Title:  
**STAIRCASE #14 DETAILS**

Scale:  
VAR  
Drawing No.:  
RBT . A811

Note:  
- It is detailed design has been executed by a team of consultants as shown below in accordance with the agreement between Japan International Cooperation Agency (JICA) and JICA Study Team.  
- The copyright of this drawing rests with JICA.



TYPICAL FOR UPPER FLOORS



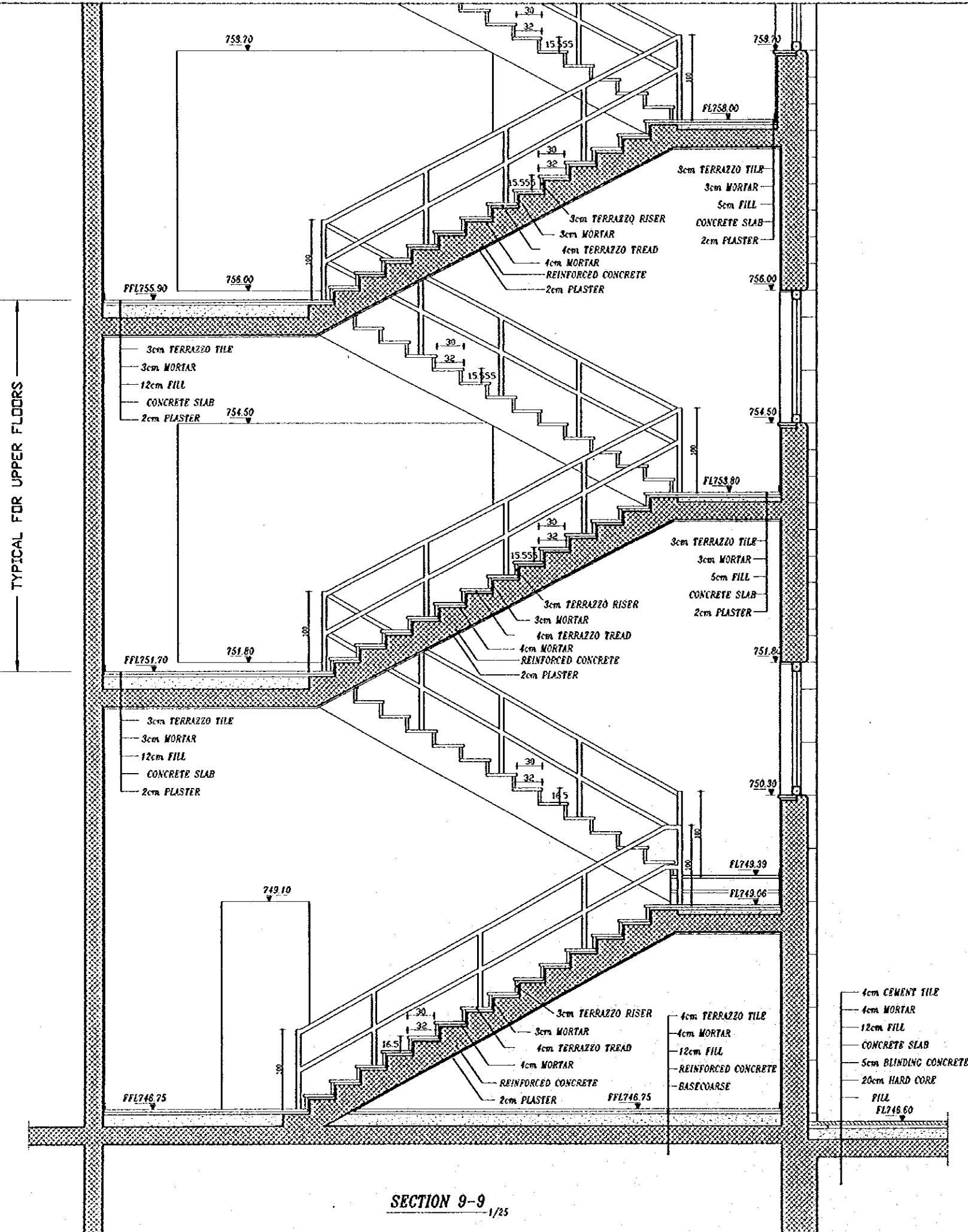
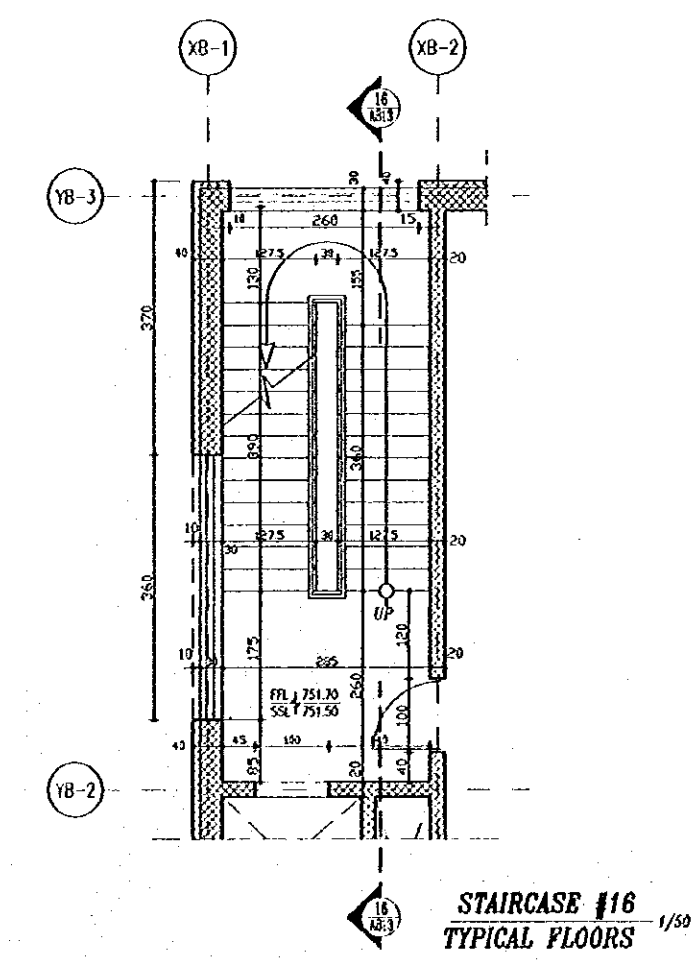
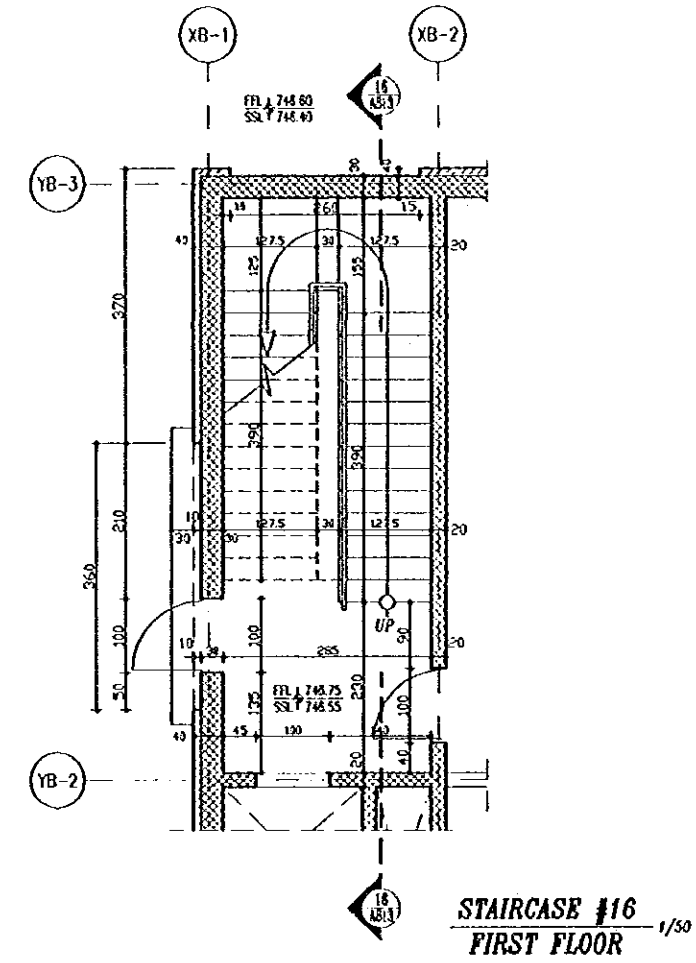
Designed by:  
Japan International Cooperation Agency (JICA)  
JICA Study Team:  
Joint Venture of Pacific Consultants International and Yamashita Sekkei Inc.  
Subcontracted Local Consultant:  
IBAH Consultants  
Architects, Engineers

Raghadan Bus Terminal  
Drawing Title:  
**STAIRCASE #15 DETAILS**

Scale: VAR  
Drawing No.: RBT.A812



Note:  
• This detailed design has been executed by a team of consultants as shown below in accordance with the agreement between Japan International Cooperation Agency (JICA) and JICA Study Team.  
• The copyright of this drawing rests with JICA.

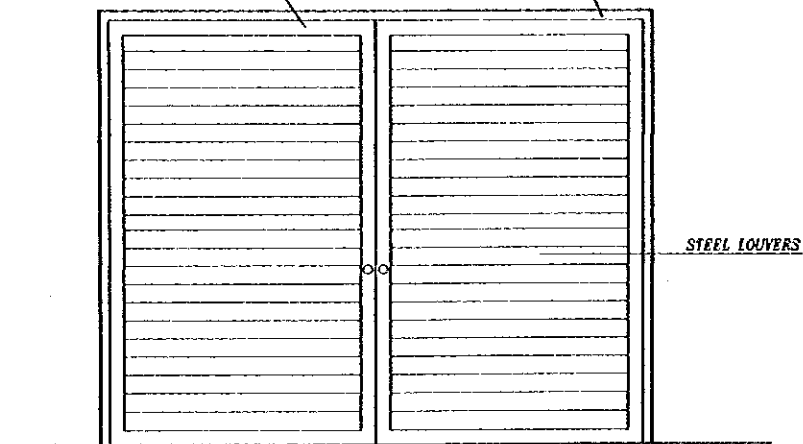


Designed by:  
Japan International Cooperation Agency (JICA)  
JICA Study Team:  
Joint Venture of  
Pacific Consultants International and  
Yamashita Sekkei Inc.  
Subcontracted Local Consultant:  
TIBAH Consultants  
Architects, Engineers

Raghadan Bus Terminal  
Drawing Title:  
STAIRCASE #16 DETAILS

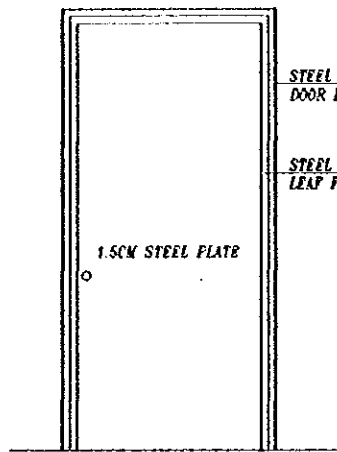
Scale: VAR Drawing No.: RBT.A813

STEEL TUBULAR PROFILE LEAF FRAME    STEEL TUBULAR PROFILE DOOR FRAME



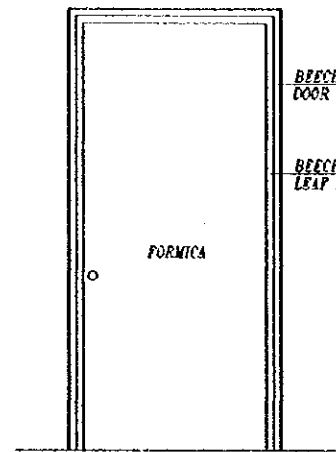
D1

STEEL TUBULAR PROFILE DOOR FRAME  
STEEL TUBULAR PROFILE LEAF FRAME



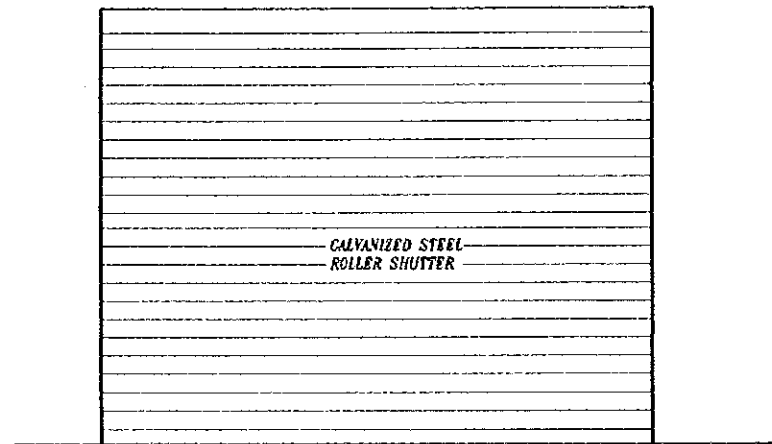
D2

BEECH WOOD DOOR FRAME  
BEECH WOOD LIPING LEAF FRAME



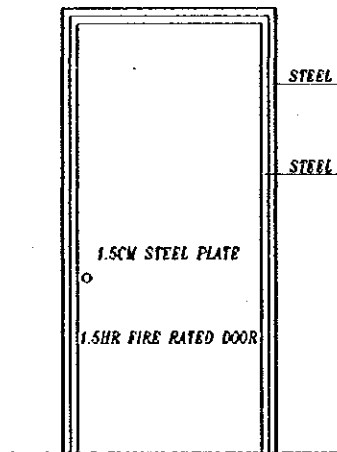
D3

CALVANIZED STEEL ROLLER SHUTTER



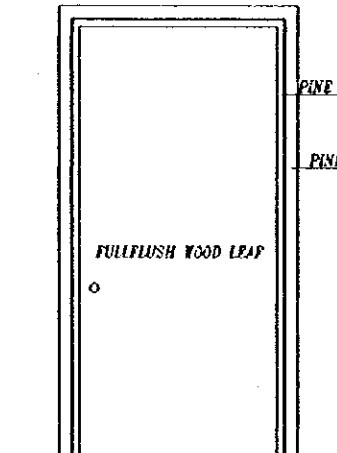
D4

STEEL DOOR FRAME  
STEEL LEAF FRAME



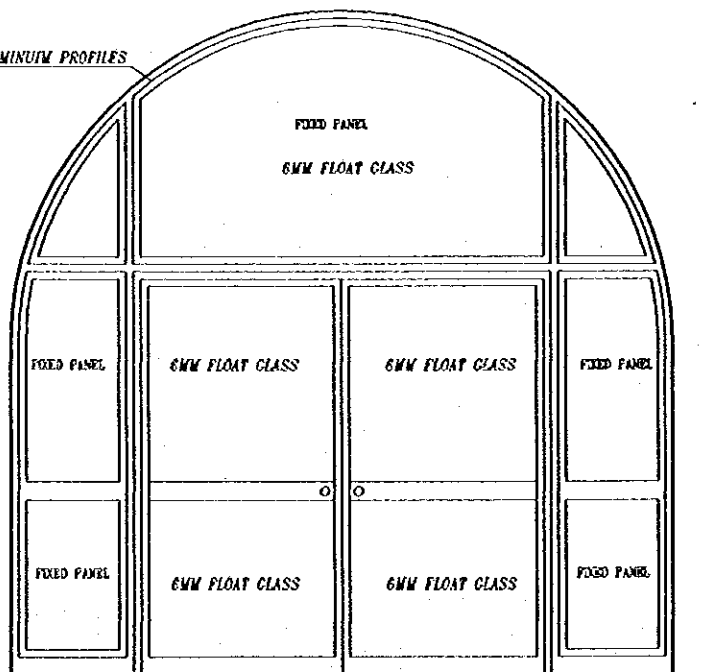
D5

PINE WOOD DOOR LEAF  
PINE WOOD ARCHITRAVE



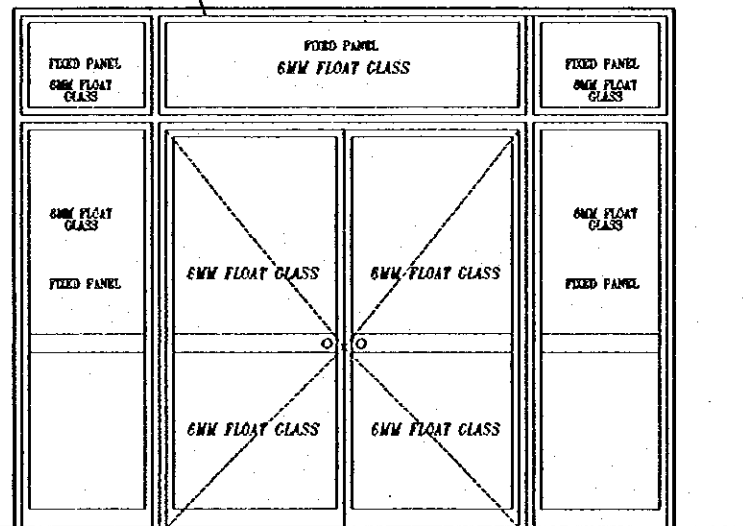
D7

ALUMINIUM PROFILES



D6

ALUMINIUM PROFILES



D8

OPENINGS /	JAMB /	LEAF /	DOOR TYPE	DOOR DESCRIPTION
001/002	11	11	D1	PULL HANDLE STEEL
003	12	12	D2	PULL HANDLE STEEL
004 TO 003	13	13	D3	PULL HANDLE STEEL
004 TO 003	14	14	D4	GALV STEEL ROLLER SHUTTER
004	15	15	D5	PULL HANDLE STEEL
005 TO 004	16	16	D6	GALV STEEL ROLLER SHUTTER
006	17	17	D7	PULL HANDLE STEEL
007	18	18	D8	GALV STEEL ROLLER SHUTTER
008	19	19	D9	PULL HANDLE STEEL
009 TO 008	20	20	D10	GALV STEEL ROLLER SHUTTER
010	21	21	D11	STEEL WITH PUSH LEVER
011	22	22	D12	STEEL WITH PUSH LEVER
012	23	23	D13	ALUMINIUM
013	24	24	D14	ALUMINIUM
014 TO 013	25	25	D15	PULL HANDLE STEEL
015 TO 014	26	26	D16	PULL HANDLE STEEL
016 TO 015	27	27	D17	STEEL WITH PUSH LEVER
017 TO 016	28	28	D18	STEEL WITH PUSH LEVER
018 TO 017	29	29	D19	GALV STEEL ROLLER SHUTTER
019 TO 018	30	30	D20	GALV STEEL ROLLER SHUTTER
020 TO 019	31	31	D21	PULL HANDLE STEEL
021 TO 020	32	32	D22	PULL HANDLE STEEL
022 TO 021	33	33	D23	GALV STEEL ROLLER SHUTTER
023 TO 022	34	34	D24	GALV STEEL ROLLER SHUTTER
024 TO 023	35	35	D25	GALV STEEL ROLLER SHUTTER
025 TO 024	36	36	D26	GALV STEEL ROLLER SHUTTER
026 TO 025	37	37	D27	STEEL WITH PUSH LEVER
027 TO 026	38	38	D28	STEEL WITH PUSH LEVER
028 TO 027	39	39	D29	ALUMINIUM
029 TO 028	40	40	D30	ALUMINIUM
030 TO 029	41	41	D31	STEEL WITH PUSH LEVER
031 TO 030	42	42	D32	STEEL WITH PUSH LEVER
032 TO 031	43	43	D33	ALUMINIUM
033 TO 032	44	44	D34	ALUMINIUM
034 TO 033	45	45	D35	STEEL WITH PUSH LEVER
035 TO 034	46	46	D36	STEEL WITH PUSH LEVER
036 TO 035	47	47	D37	ALUMINIUM
037 TO 036	48	48	D38	ALUMINIUM
038 TO 037	49	49	D39	STEEL WITH PUSH LEVER
039 TO 038	50	50	D40	STEEL WITH PUSH LEVER
040 TO 039	51	51	D41	ALUMINIUM
041 TO 040	52	52	D42	ALUMINIUM
042 TO 041	53	53	D43	STEEL WITH PUSH LEVER
043 TO 042	54	54	D44	STEEL WITH PUSH LEVER
044 TO 043	55	55	D45	ALUMINIUM
045 TO 044	56	56	D46	ALUMINIUM
046 TO 045	57	57	D47	STEEL WITH PUSH LEVER
047 TO 046	58	58	D48	STEEL WITH PUSH LEVER
048 TO 047	59	59	D49	ALUMINIUM
049 TO 048	60	60	D50	ALUMINIUM
050 TO 049	61	61	D51	STEEL WITH PUSH LEVER
051 TO 050	62	62	D52	STEEL WITH PUSH LEVER
052 TO 051	63	63	D53	ALUMINIUM
053 TO 052	64	64	D54	ALUMINIUM
054 TO 053	65	65	D55	STEEL WITH PUSH LEVER
055 TO 054	66	66	D56	STEEL WITH PUSH LEVER
056 TO 055	67	67	D57	ALUMINIUM
057 TO 056	68	68	D58	ALUMINIUM
058 TO 057	69	69	D59	STEEL WITH PUSH LEVER
059 TO 058	70	70	D60	STEEL WITH PUSH LEVER
060 TO 059	71	71	D61	ALUMINIUM
061 TO 060	72	72	D62	ALUMINIUM
062 TO 061	73	73	D63	STEEL WITH PUSH LEVER
063 TO 062	74	74	D64	STEEL WITH PUSH LEVER
064 TO 063	75	75	D65	ALUMINIUM
065 TO 064	76	76	D66	ALUMINIUM
066 TO 065	77	77	D67	STEEL WITH PUSH LEVER
067 TO 066	78	78	D68	STEEL WITH PUSH LEVER
068 TO 067	79	79	D69	ALUMINIUM
069 TO 068	80	80	D70	ALUMINIUM
070 TO 069	81	81	D71	STEEL WITH PUSH LEVER
071 TO 070	82	82	D72	STEEL WITH PUSH LEVER
072 TO 071	83	83	D73	ALUMINIUM
073 TO 072	84	84	D74	ALUMINIUM
074 TO 073	85	85	D75	STEEL WITH PUSH LEVER
075 TO 074	86	86	D76	STEEL WITH PUSH LEVER
076 TO 075	87	87	D77	ALUMINIUM
077 TO 076	88	88	D78	ALUMINIUM
078 TO 077	89	89	D79	STEEL WITH PUSH LEVER
079 TO 078	90	90	D80	STEEL WITH PUSH LEVER
080 TO 079	91	91	D81	ALUMINIUM
081 TO 080	92	92	D82	ALUMINIUM
082 TO 081	93	93	D83	STEEL WITH PUSH LEVER
083 TO 082	94	94	D84	STEEL WITH PUSH LEVER
084 TO 083	95	95	D85	ALUMINIUM
085 TO 084	96	96	D86	ALUMINIUM
086 TO 085	97	97	D87	STEEL WITH PUSH LEVER
087 TO 086	98	98	D88	STEEL WITH PUSH LEVER
088 TO 087	99	99	D89	ALUMINIUM
089 TO 088	100	100	D90	ALUMINIUM

Tourism Sector Development Project  
in the Hashemite Kingdom of Jordan

The Government of  
the Hashemite Kingdom of Jordan  
The Ministry of Tourism and Antiquities  
The Ministry of Planning

Sub Project:  
Amman Downtown  
Tourist Zone Development

Notes:  
• The detailed design has been executed by a team of consultants as shown below in accordance with the agreement between Japan International Cooperation Agency (JICA) and JICA Study Team.  
• The copyright of this drawing rests with JICA.

Designed by:  
Japan International Cooperation Agency (JICA)  
JICA Study Team:  
Joint Venture of  
Pacific Consultants International and  
Yamashita Sekkei Inc.

Subcontracted Local Consultant:  
TIBAH Consultants  
Architect, Engineers

Raghadan Bus Terminal

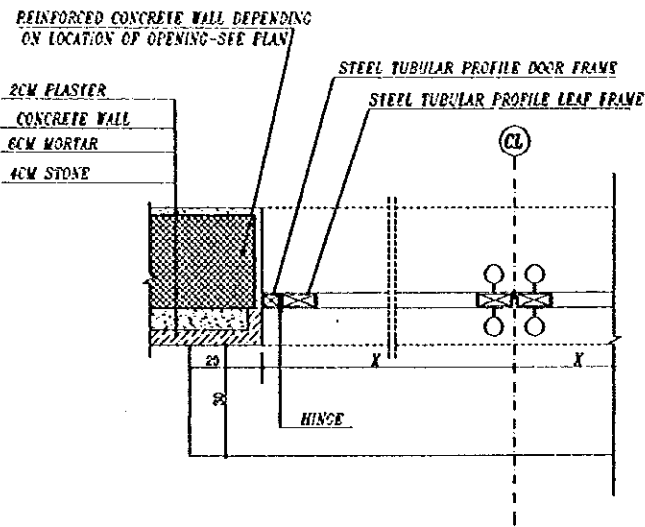
Drawing Title:  
DOORS ELEVATIONS

Scale:  
1/20

Drawing No.:  
RBT. A901

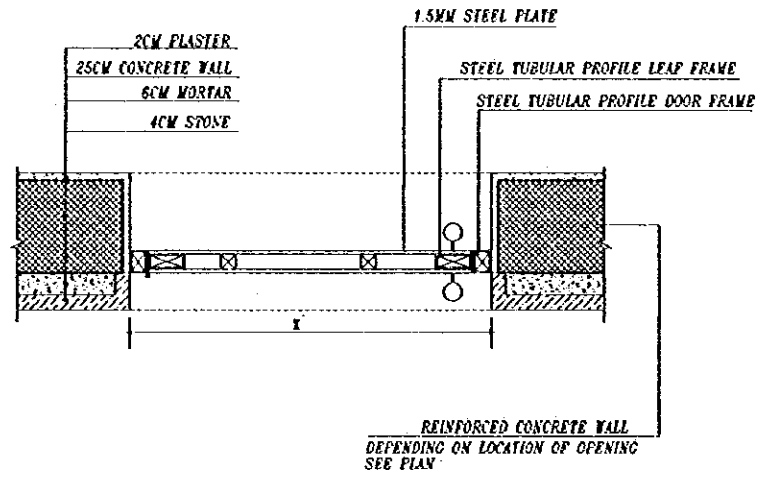






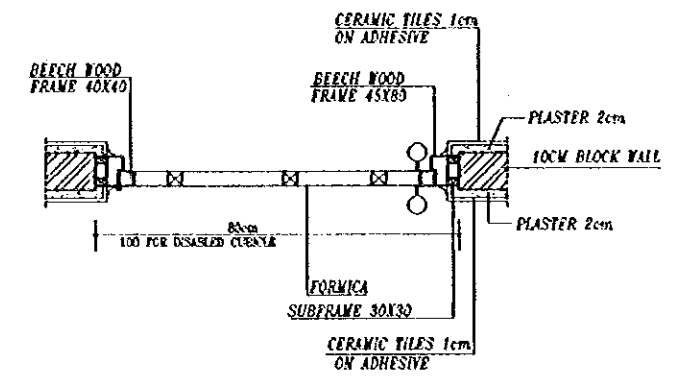
X=150CM FOR OPENING No 001/002  
X=110CM FOR OPENING No 074/075/101/102

J1



X=100CM FOR OPENING No 003/030/049/051/071/105/155/297

J2



OPENING No 004 TO 023 INCLUSIVE  
OPENING No 053 TO 064 INCLUSIVE  
OPENING No 111 TO 116 INCLUSIVE  
OPENING No 143 TO 154 INCLUSIVE  
OPENING No 217/218/225/226/235/237/241/242  
OPENING No 254 TO 259 INCLUSIVE  
OPENING No 287 TO 292 INCLUSIVE  
OPENING No 083 TO 091 INCLUSIVE

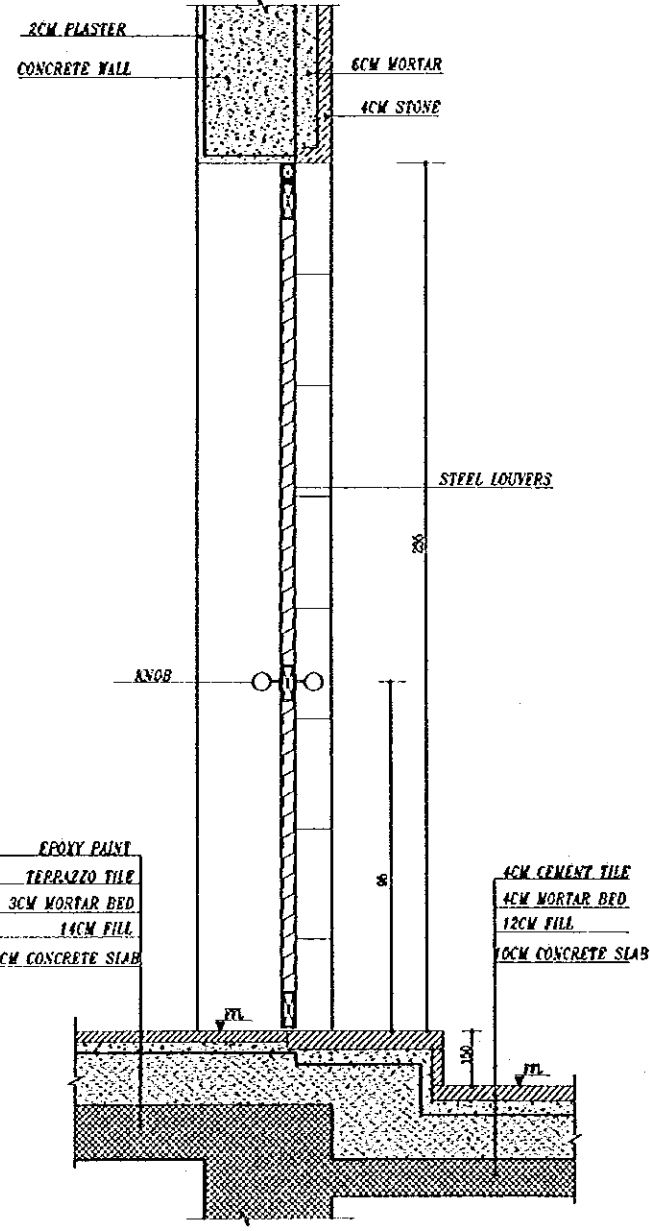
J3

Tourism Sector Development Project  
in the Hashemite Kingdom of Jordan

The Government of  
the Hashemite Kingdom of Jordan  
The Ministry of Tourism and Antiquities  
The Ministry of Planning

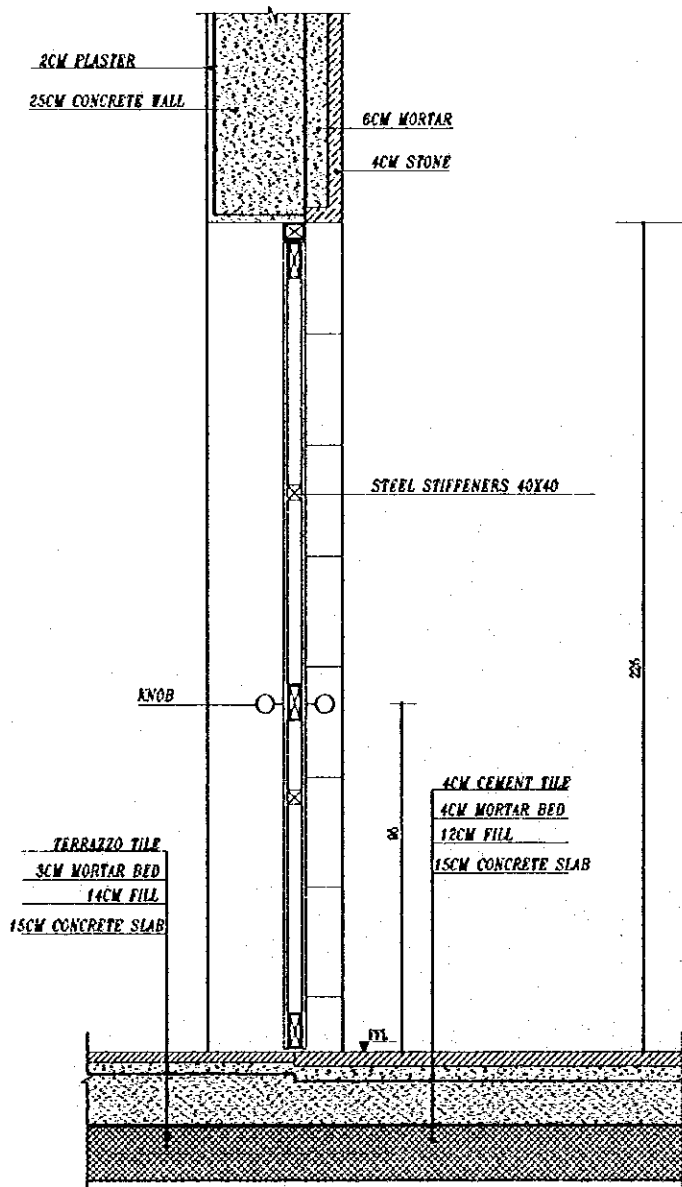
Sub-Project:  
Amman Downtown  
Tourist Zone Development

Note:  
• This detailed design has been executed by a team of consultants as shown below in accordance with the agreement between Japan International Cooperation Agency (JICA) and JICA Study Team.  
• The copyright of this drawing rests with JICA.



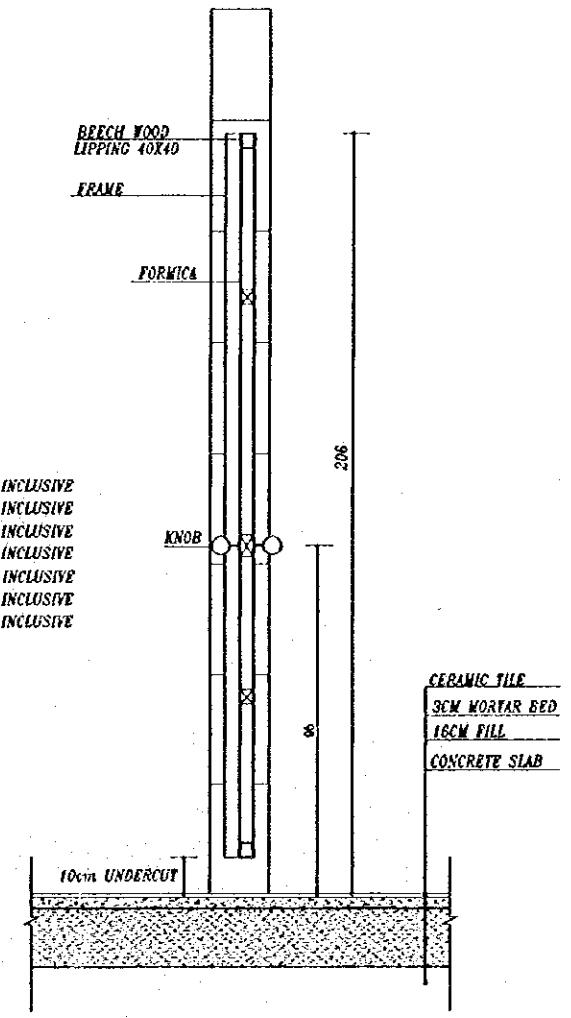
OPENING No 001/002

L1



OPENING No 003

L2



OPENING No 004 TO 023 INCLUSIVE  
OPENING No 053 TO 064 INCLUSIVE  
OPENING No 111 TO 116 INCLUSIVE  
OPENING No 143 TO 154 INCLUSIVE  
OPENING No 254 TO 259 INCLUSIVE  
OPENING No 287 TO 292 INCLUSIVE  
OPENING No 083 TO 091 INCLUSIVE

L3

Designed by:  
Japan International Cooperation Agency (JICA)

JICA Study Team:  
Joint Venture of  
Pacific Consultants International and  
Yamashita Sekitai Inc.

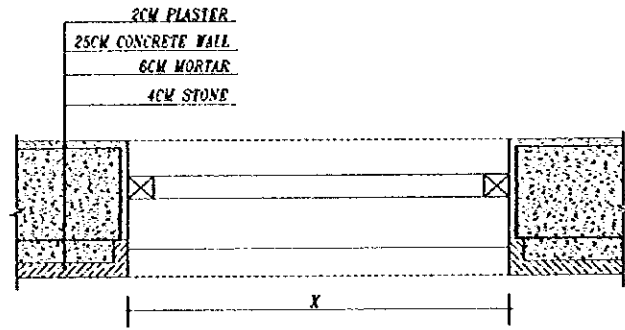
Subcontracted Local Consultant:  
TMAH Consultants  
Architects, Engineers

Raghadan Bus Terminal

Drawing Title:  
DOORS

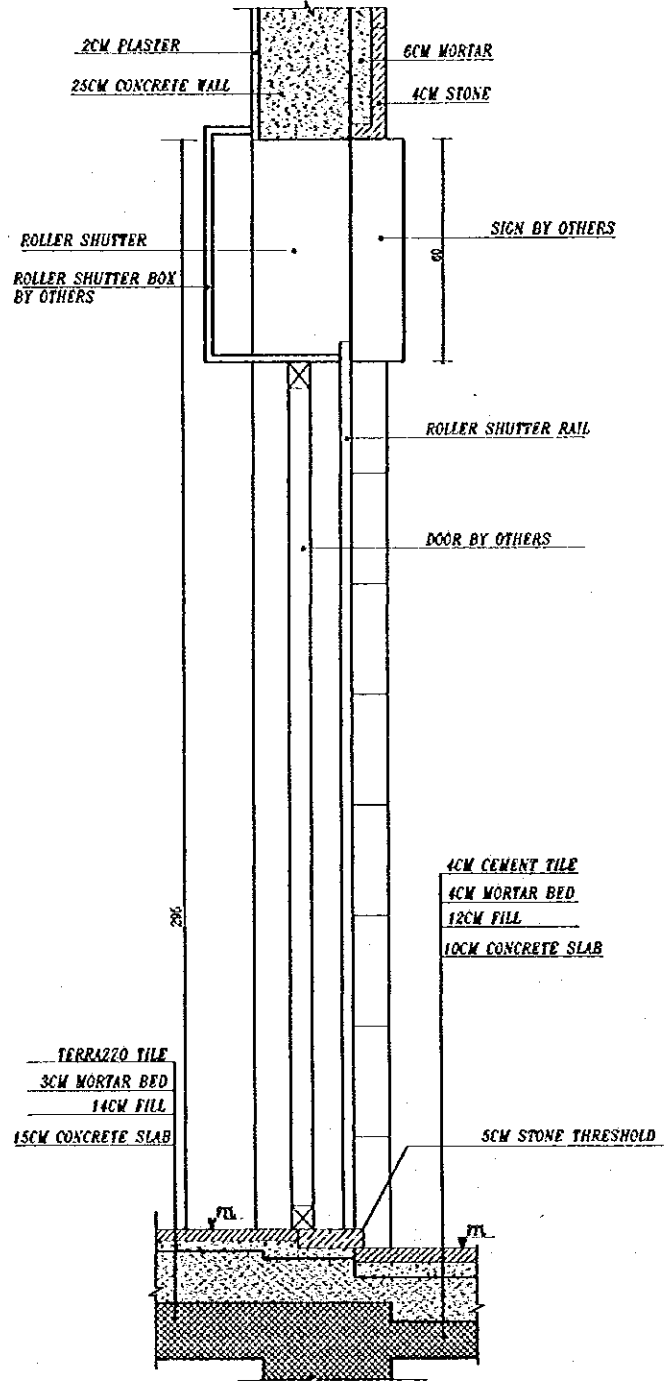
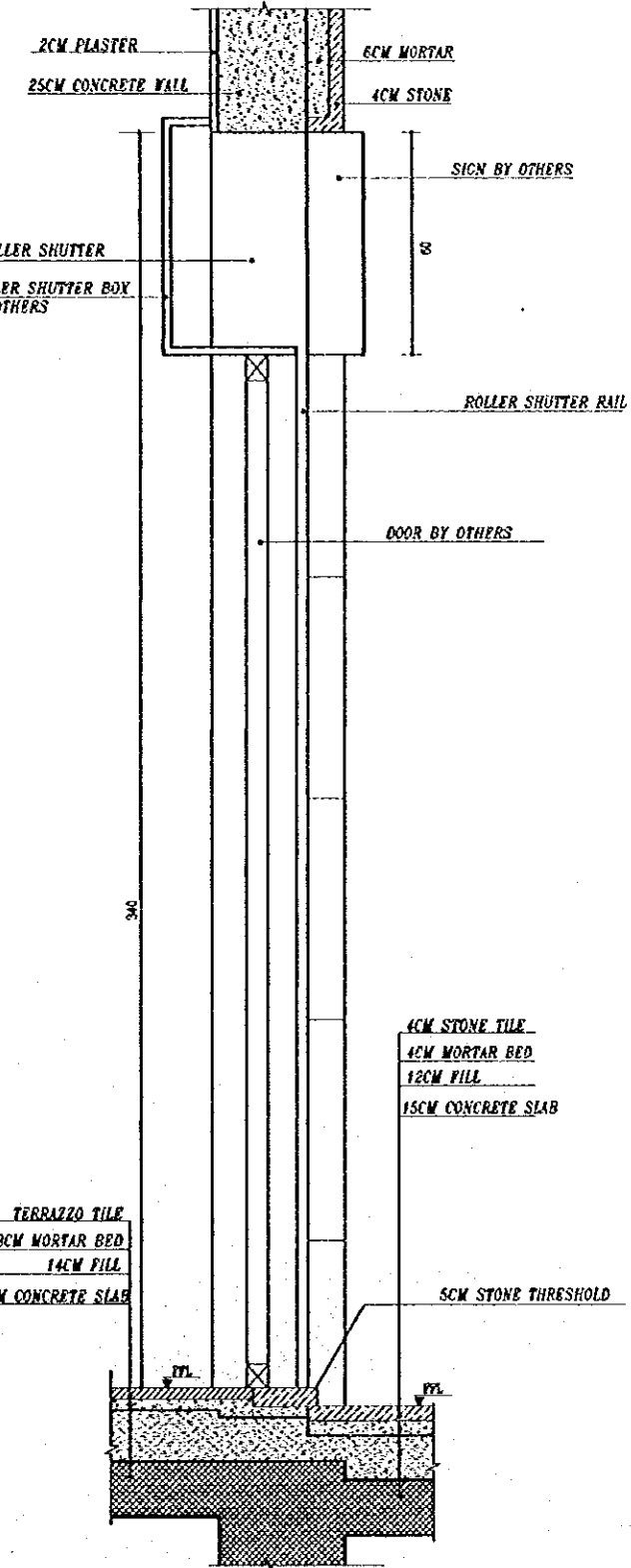
Scale:  
1/10

Drawing No:  
RBT. A904



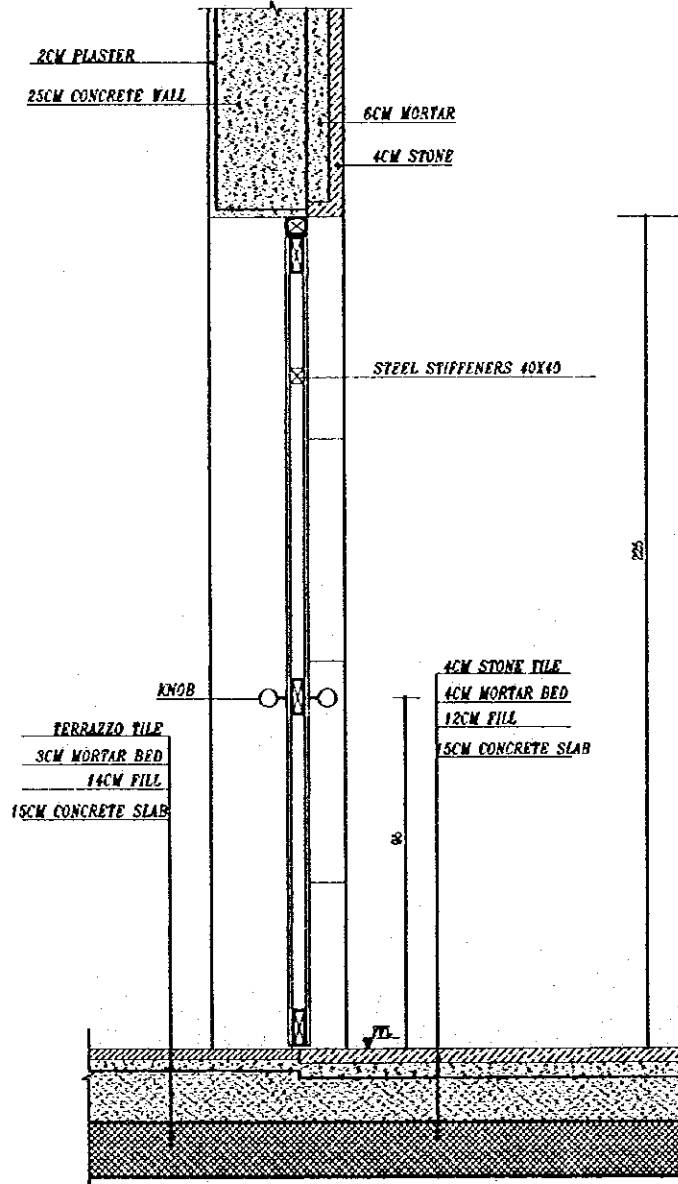
X=250CM FOR OPENINGS 031 TO 036 INCLUSIVE  
 210CM FOR OPENINGS 037 TO 040 INCLUSIVE  
 250CM FOR OPENINGS 041 TO 048 INCLUSIVE  
 240CM FOR OPENINGS 049 TO 029 INCLUSIVE  
 300CM FOR OPENING No 050  
 180CM FOR OPENING No 041  
 100CM FOR OPENING No 108  
 230CM FOR OPENING No 107/108  
 260CM FOR OPENING No 133 TO 148

J4



OPENING No 024/029

L4



OPENING No 030

L5

Tourism Sector Development Project  
 in the Hashemite Kingdom of Jordan

The Government of  
 the Hashemite Kingdom of Jordan  
 The Ministry of Tourism and Antiquities  
 The Ministry of Planning

Sub Project:  
 Amman Downtown  
 Tourist Zone Development

Note:  
 • This detailed design has been executed by a team of  
 consultants as shown below in accordance with the agreement  
 between Japan International Cooperation Agency (JICA) and  
 JICA Study Team.  
 • The copyright of this drawing rests with JICA.

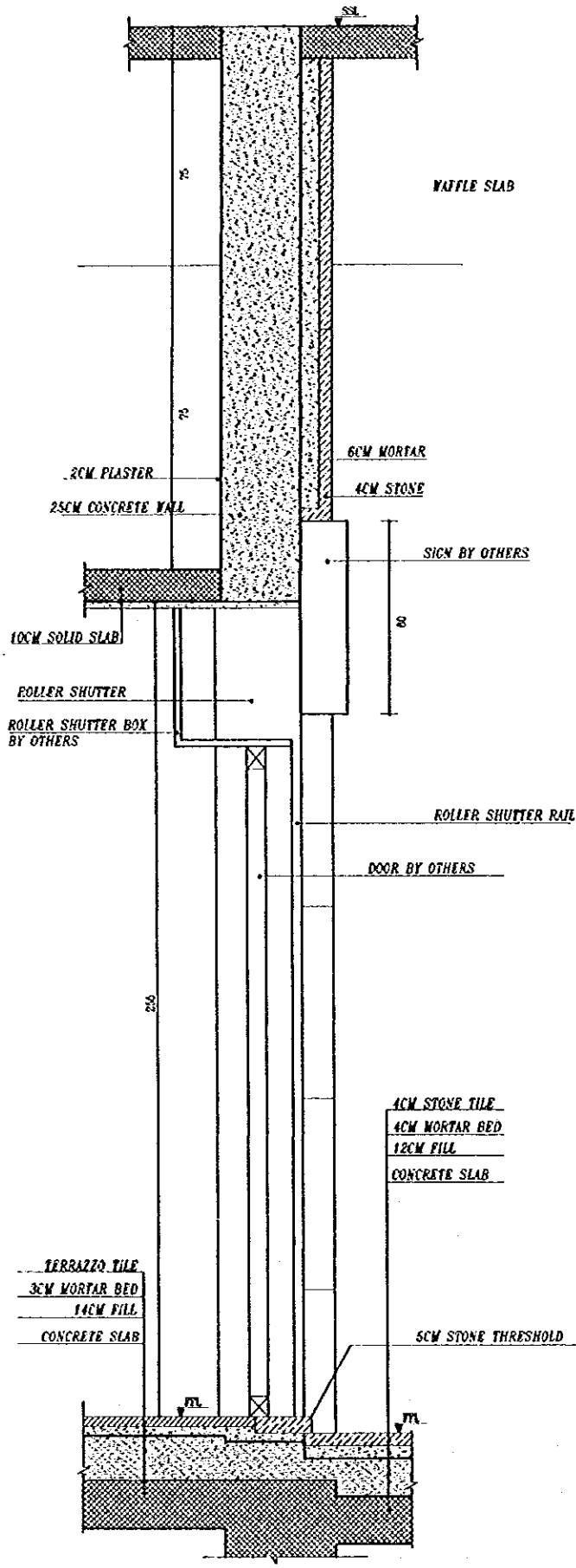
Designed by:  
 Japan International Cooperation Agency  
 (JICA)  
 JICA Study Team:  
 Joint Venture of  
 Pacific Consultants International and  
 Yamashita Seki & Co. Inc.  
 Subcontracted Local Consultant:  
 TBAAH Consultants  
 Architects, Engineers

Raghadan Bus Terminal

Drawing Title:  
 DOORS

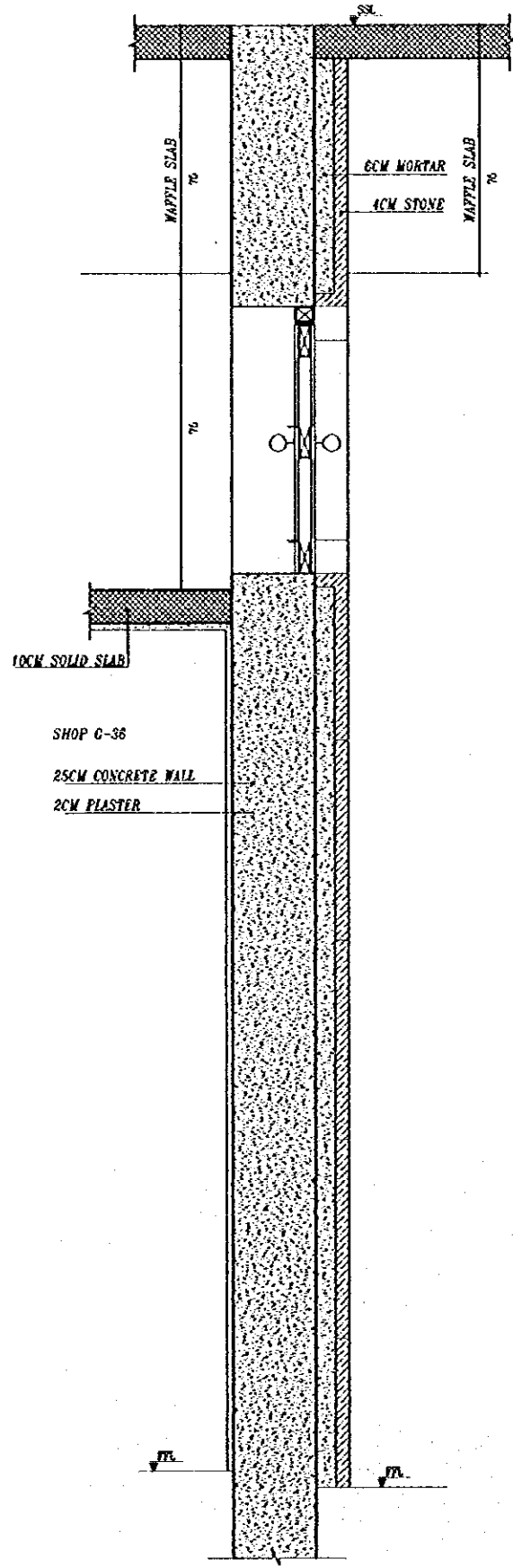
Scale: 1/10  
 Drawing No: RBT . A905

L6



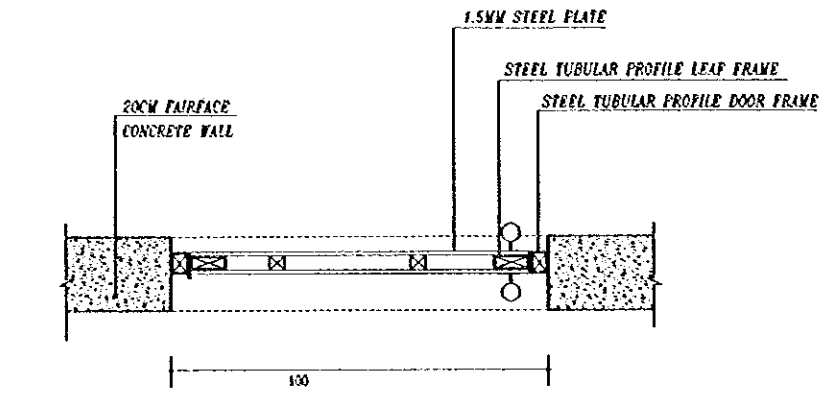
OPENING No 050

L7



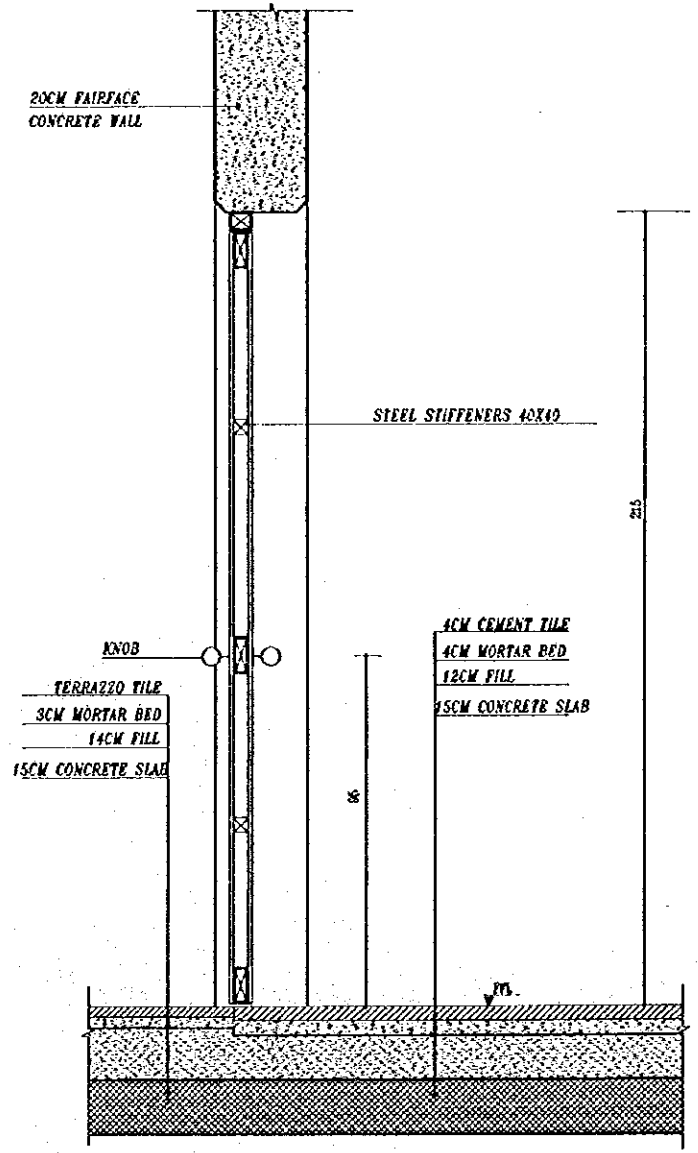
OPENING No 051

L8



OPENING No 052

J5



OPENING No 052

L9

Tourism Sector Development Project  
in the Hashemite Kingdom of Jordan

The Government of  
the Hashemite Kingdom of Jordan  
The Ministry of Tourism and Antiquities  
The Ministry of Planning

Sub-Project:  
Amman Downtown  
Tourist Zone Development

Note:  
• This detailed design has been executed by a team of  
consultants as shown below in accordance with the agreement  
between Japan International Cooperation Agency (JICA) and  
JICA Study Team.  
• The copyright of this drawing rests with JICA.

RBLA-903

Designed by:  
Japan International Cooperation Agency  
(JICA)

JICA Study Team:  
Joint Venture of  
Pacific Consultants International and  
Yonoseki Setai Inc.

Subcontracted Local Consultant:  
TIBAH Consultants  
Architects, Engineers

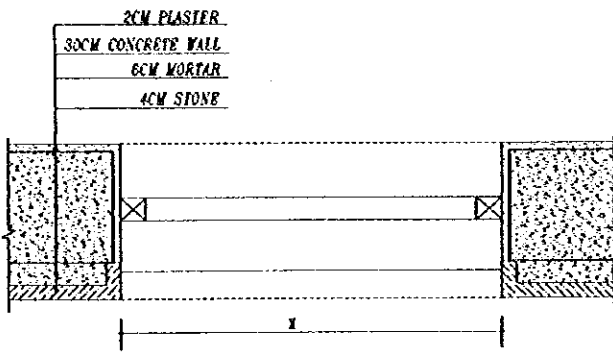
Raghadan Bus Terminal

Drawing Title:  
DOORS

Scale:  
1/10

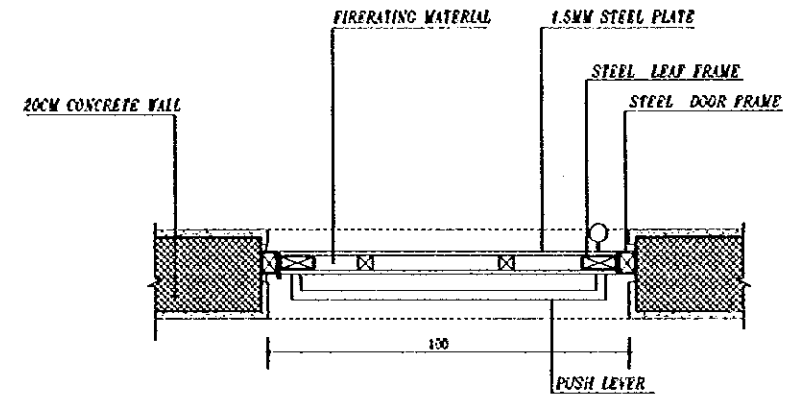
Drawing No.:  
RBT. A906

F6



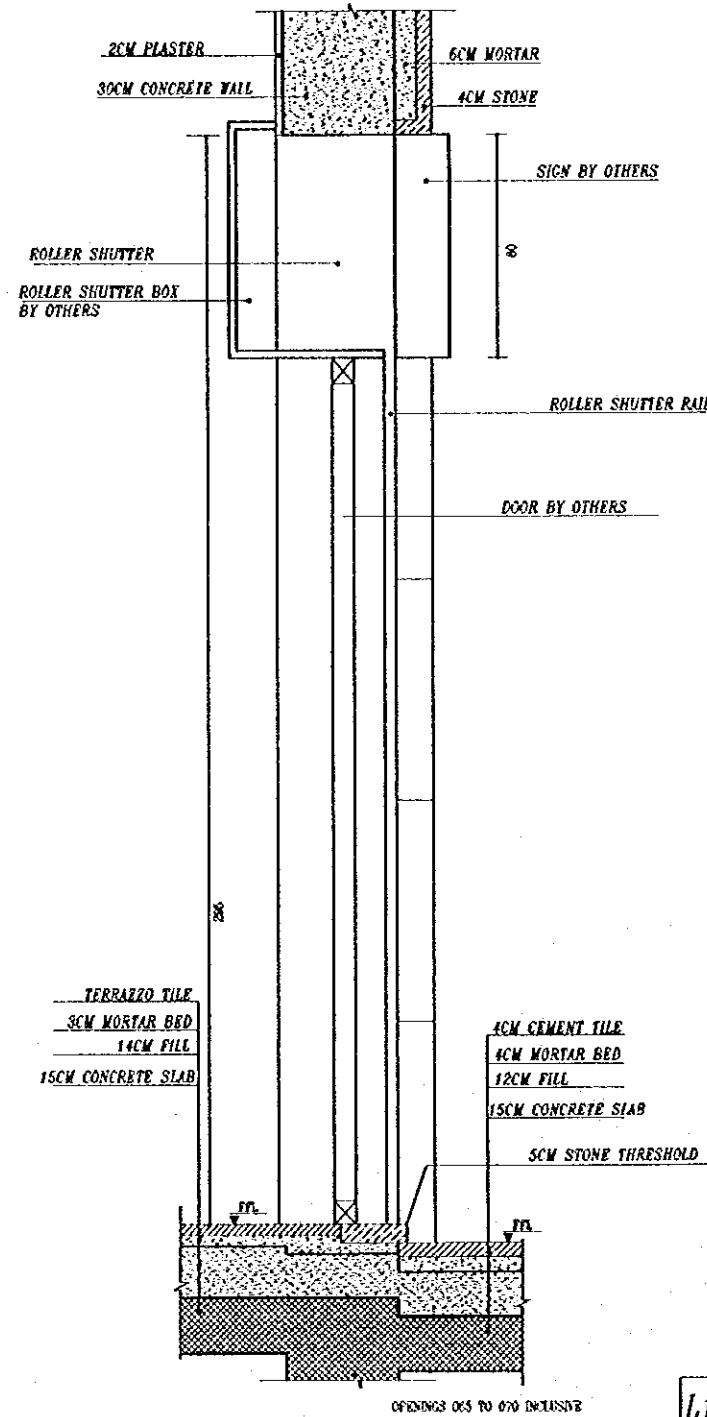
250CM FOR OPENINGS 065 TO 070 INCLUSIVE  
 300CM FOR OPENINGS 117 TO 132 INCLUSIVE  
 270CM FOR OPENINGS 204 TO 209 INCLUSIVE  
 280CM FOR OPENINGS 210/229/230  
 330CM FOR OPENINGS 244/245/248/254/254  
 300CM FOR OPENINGS 290 TO 295 INCLUSIVE  
 300CM FOR OPENINGS 293 TO 295 INCLUSIVE

J6



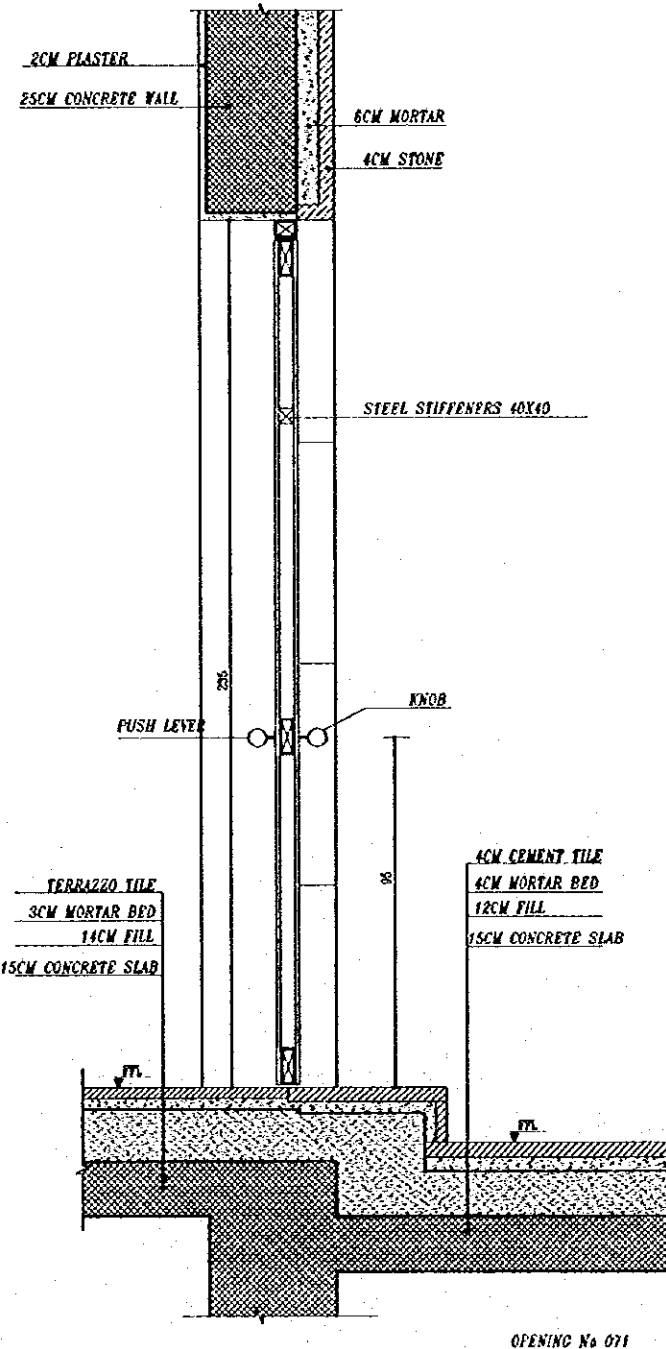
OPENINGS No 072/078/104/156/159/162/201/238/2101/301/303/308/310/401/403/405/407/  
 OPENINGS No 2103/

J7



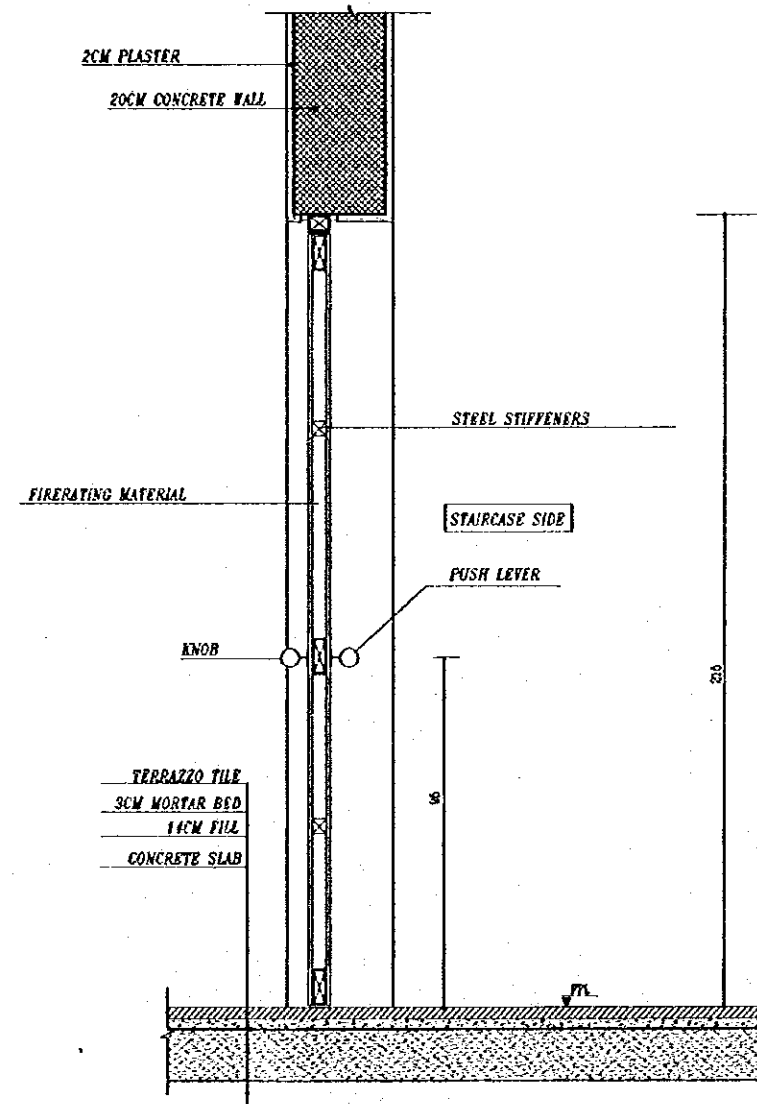
OPENINGS 065 TO 070 INCLUSIVE

L10



OPENING No 071

L11



OPENINGS No 072/078/104/156/159/162/201/238/2101/301/303/308/310/401/403/405/407/  
 OPENINGS No 2103/

L12

Tourism Sector Development Project  
 in the Hashemite Kingdom of Jordan

The Government of  
 the Hashemite Kingdom of Jordan  
 The Ministry of Tourism and Antiquities  
 The Ministry of Planning

Sub Project:  
 Amman Downtown  
 Tourist Zone Development

Note:  
 • This detailed design has been executed by a team of  
 consultants as shown below in accordance with the agreement  
 between Japan International Cooperation Agency (JICA) and  
 JICA Study Team.  
 • The copyright of this drawing rests with JICA.

Designed by:  
 Japan International Cooperation Agency  
 (JICA)

JICA Study Team:  
 Joint Venture of  
 Pacific Consultants International and  
 Yamashita Sekitel Inc.

Subcontracted Local Consultant:

TIBAN Consultants  
 Architect, Engineers

Raghadan Bus Terminal

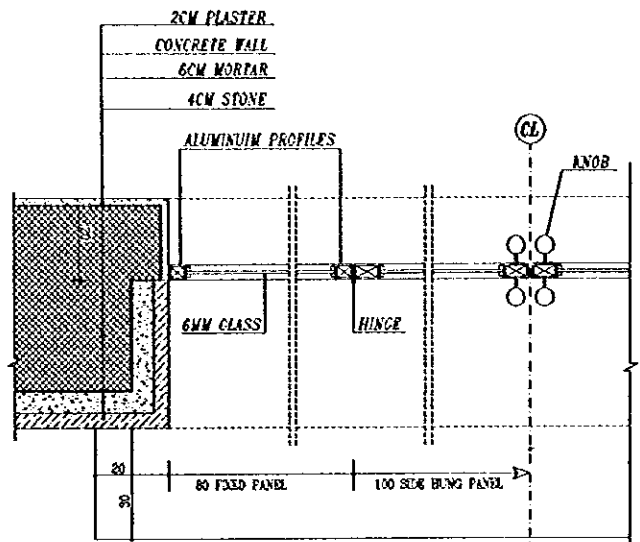
Drawing title:

DOORS

Scale:  
 1/10

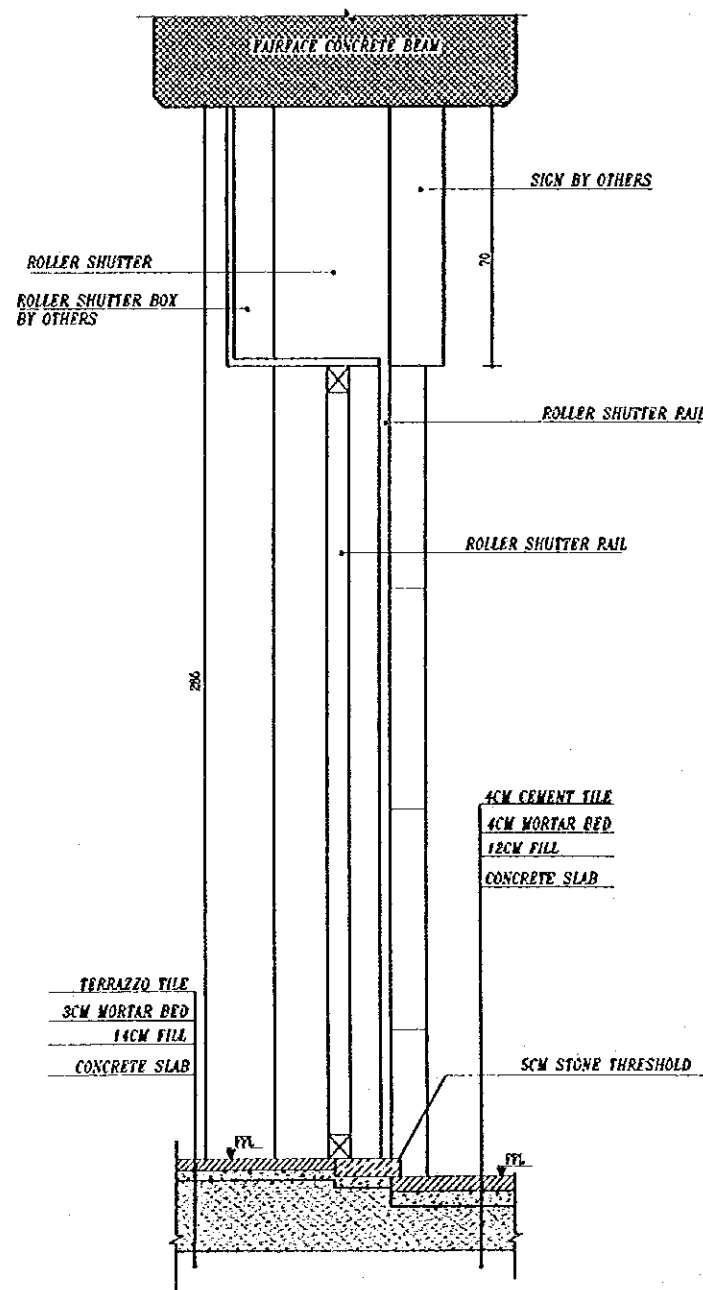
Drawing No.:  
 RBT, A907





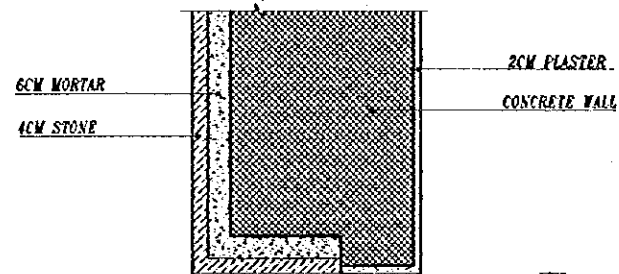
OPENINGS No 073/076/103/157/161/296

J8



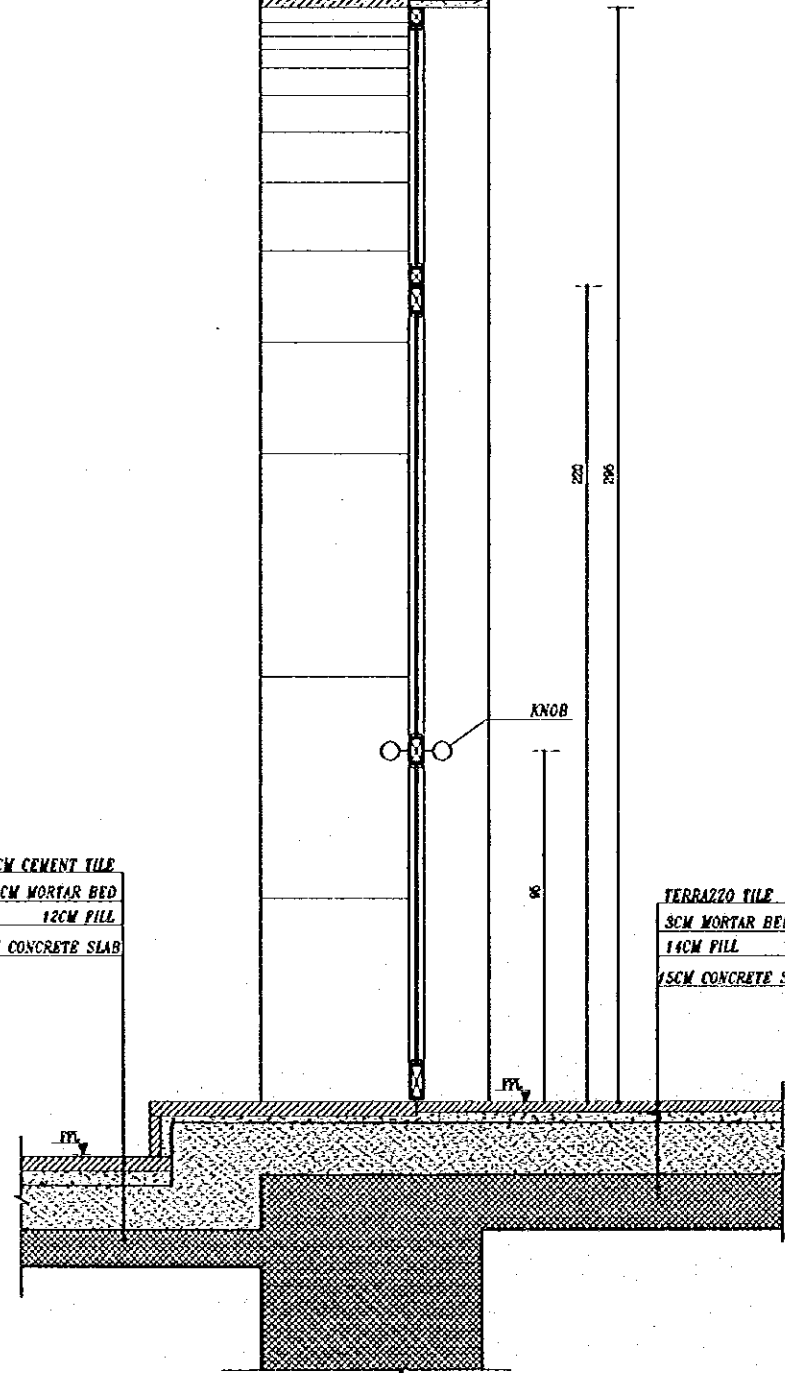
OPENINGS 125 TO 132

L11



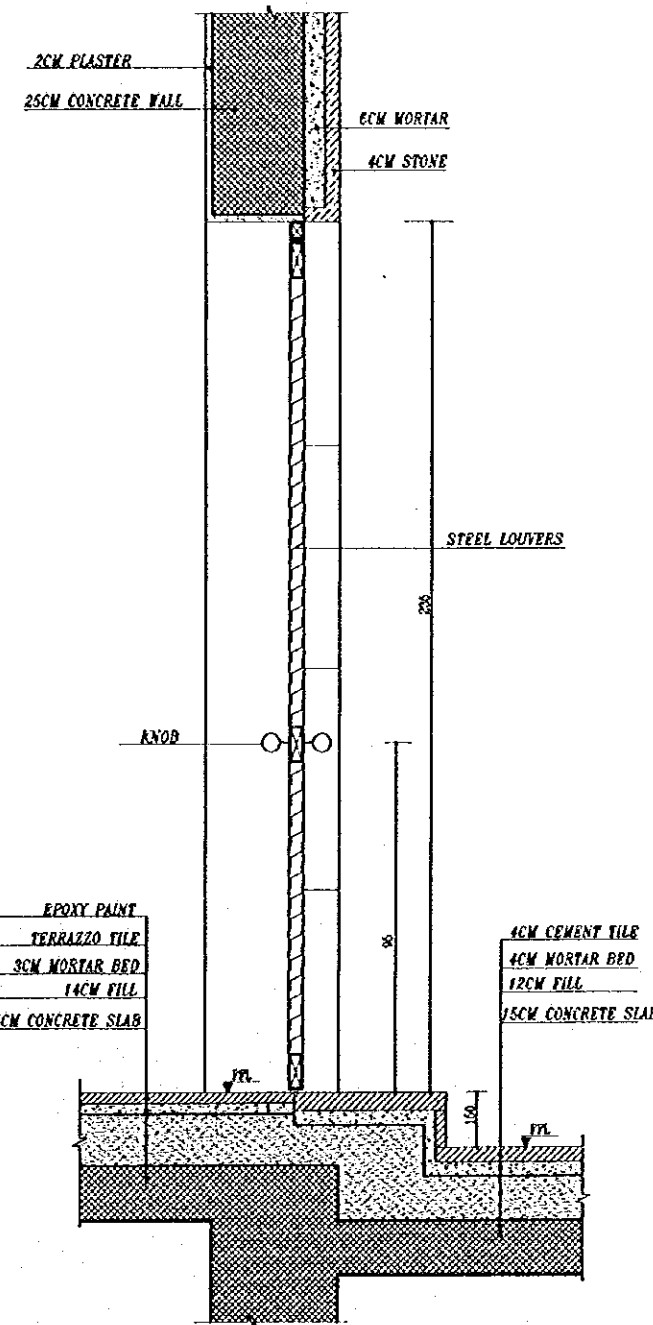
4CM CEMENT TILE  
4CM MORTAR BED  
12CM FILL  
10CM CONCRETE SLAB

TERRAZZO TILE  
3CM MORTAR BED  
14CM FILL  
15CM CONCRETE SLAB



OPENING No 073/076/161

L13



OPENING No 074/075

L14

Tourism Sector Development Project  
in the Hashemite Kingdom of Jordan

The Government of  
the Hashemite Kingdom of Jordan  
The Ministry of Tourism and Antiquities  
The Ministry of Planning

Sub-Project:  
Amman Downtown  
Tourist Zone Development

Note:  
• This detailed design has been executed by a team of  
consultants as shown below in accordance with the agreement  
between Japan International Cooperation Agency (JICA) and  
JICA Study Team.  
• The copyright of this drawing rests with JICA.

Designed by:  
Japan International Cooperation Agency  
(JICA)

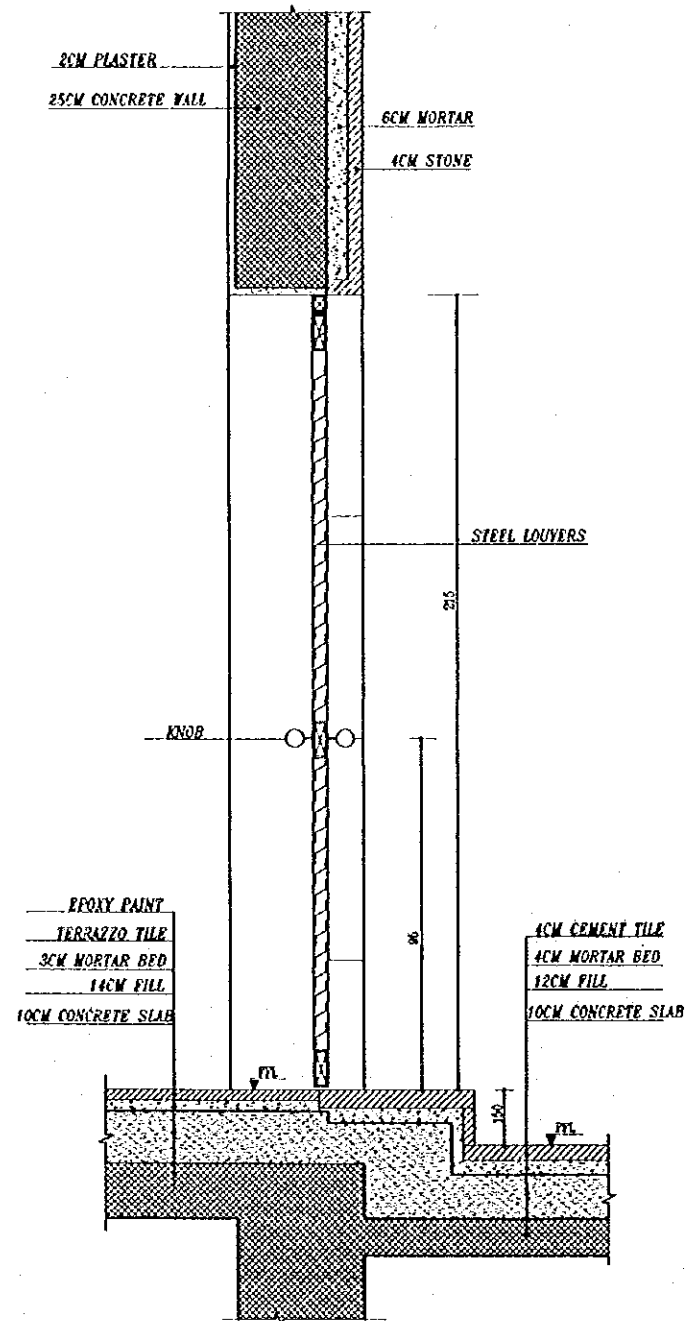
JICA Study Team:  
Joint Venture of  
Pacific Consultants International and  
Yamashita Sekitai Inc.

Subcontracted Local Consultant:  
TIAH Consultants  
Architects, Engineers

Raghodan Bus Terminal

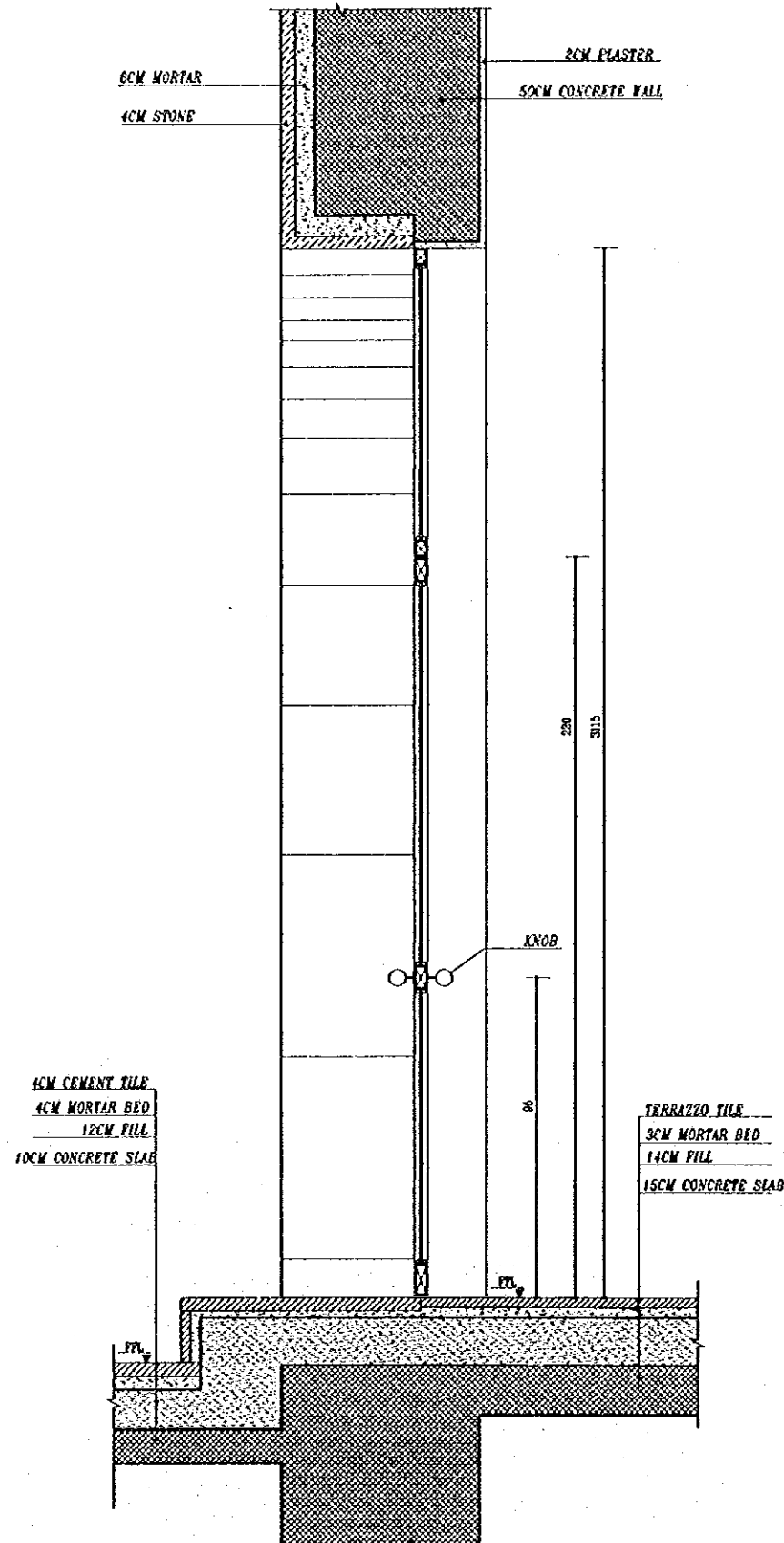
Drawing Title:  
DOORS

Scale: 1/10  
Drawing No: RBT. A908



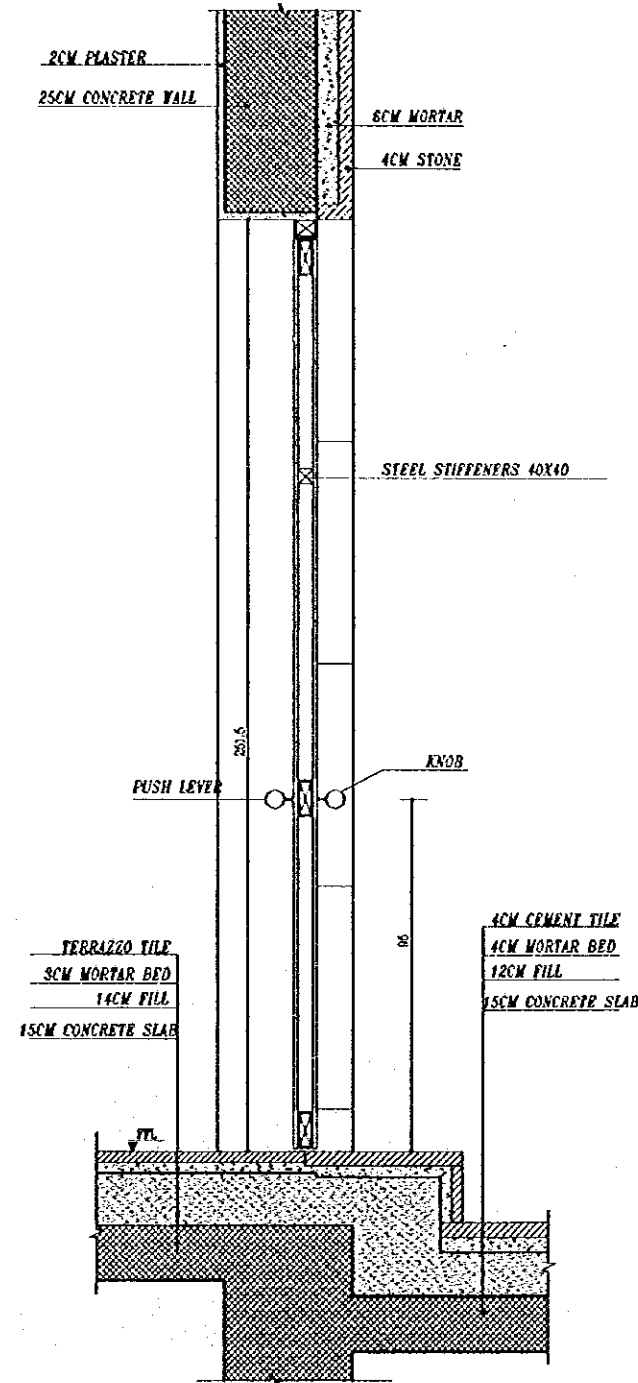
OPENING No 101/102

L15



OPENING No 103

L16



OPENING No 105

L17

Designed by:

Japan International Cooperation Agency  
(JICA)

JICA Study Team:

Joint Venture of  
Pacific Consultants International and  
Yamashita Seikei Inc.

Subcontracted Local Consultant:

TBAH Consultants  
Architects, Engineers



Raghadan Bus Terminal

Drawing Title:

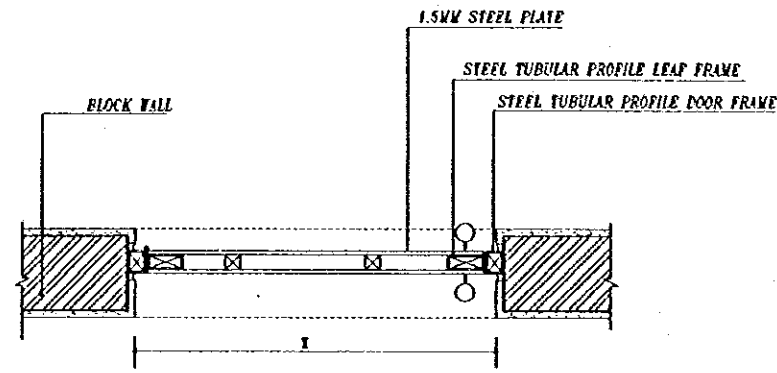
DOORS

Scale:

1/10

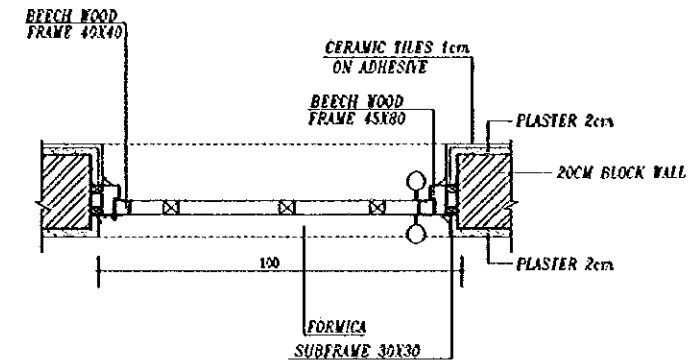
Drawing No.:

RBT. A909



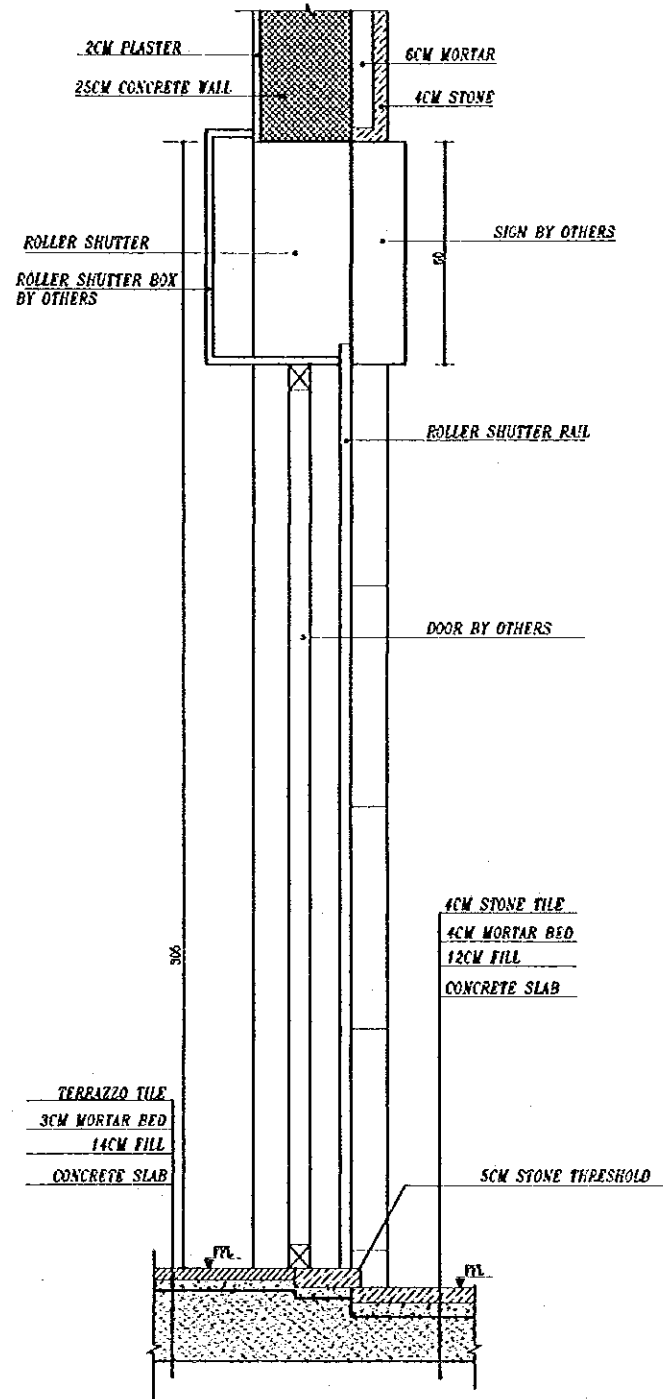
X=90CM FOR OPENINGS No 109/147/165/252/305/306/307  
100CM FOR OPENING No 502/505/507/510/080

J9



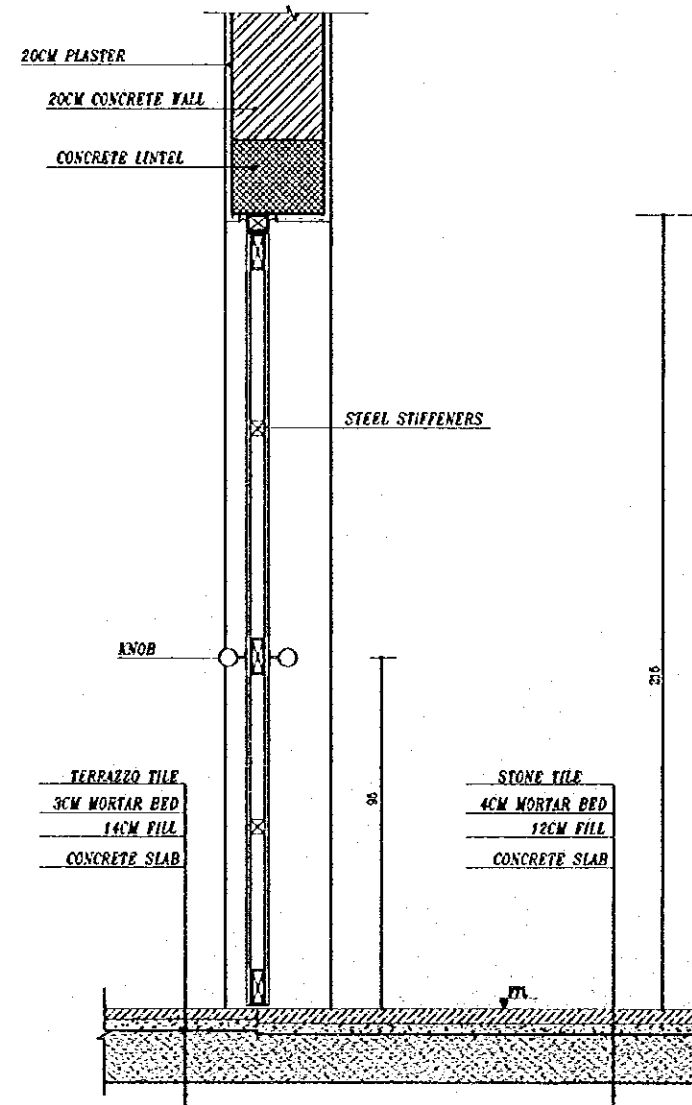
OPENINGS No 110/148/253/286

J10



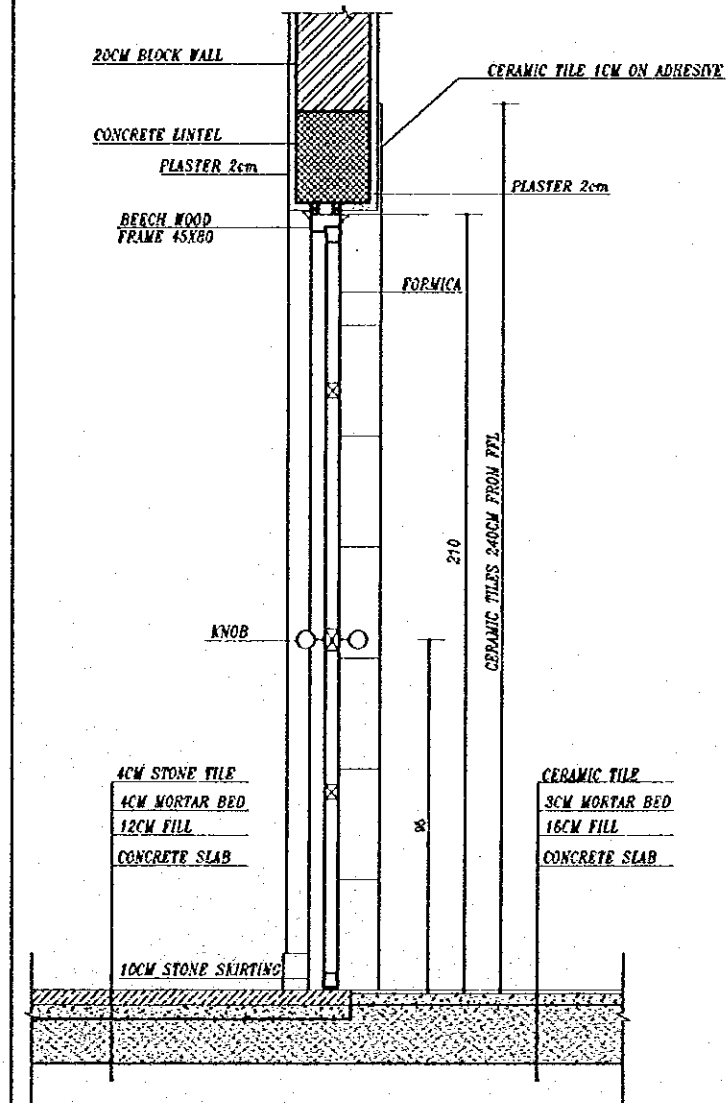
OPENING No 107/108

L18



OPENING No 109/147/252

L19



OPENING No 110/148/253/286

L20

Designed by:  
Japan International Cooperation Agency  
(JICA)  
JICA Study Team:  
Joint Venture of  
Pacific Consultants International and  
Yamashita Sekkei Inc.  
Subcontracted Local Consultant:  
TRAH Consultants  
Architects, Engineers

Raghadan Bus Terminal

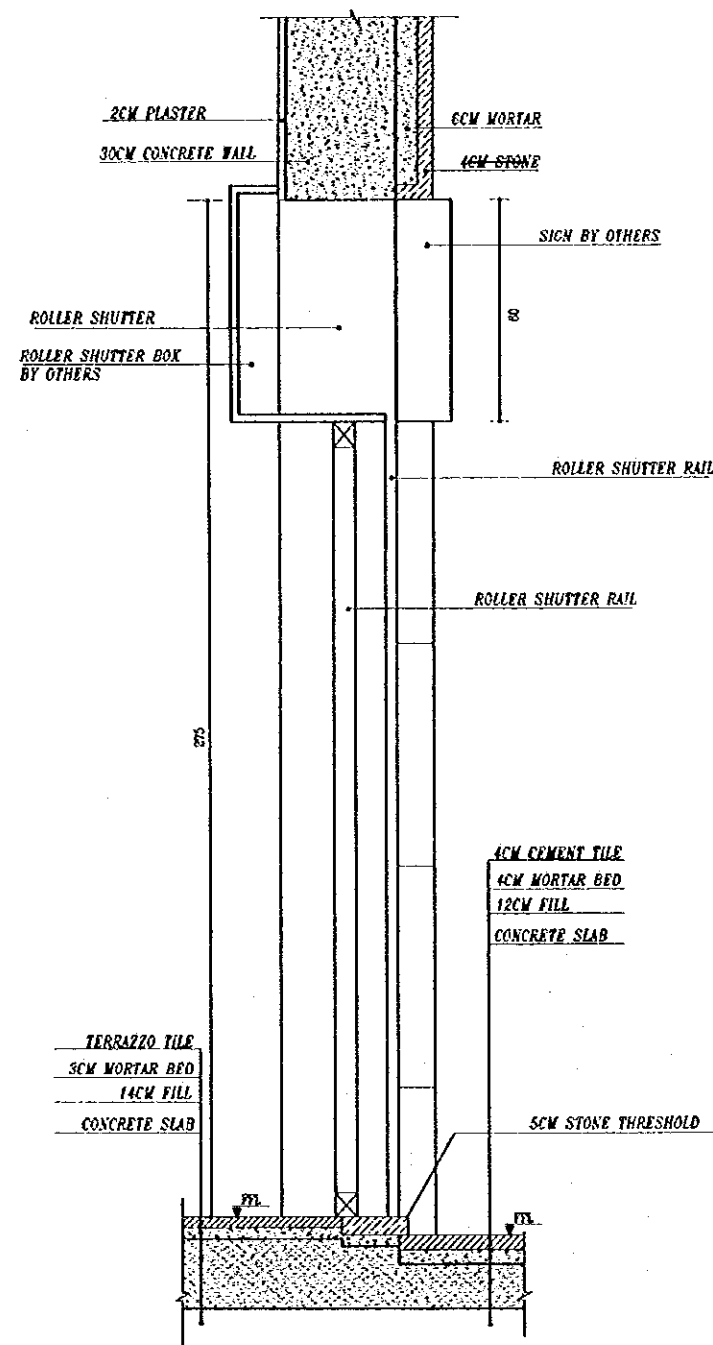
Drawing Title:

DOORS

Scale: 1/10

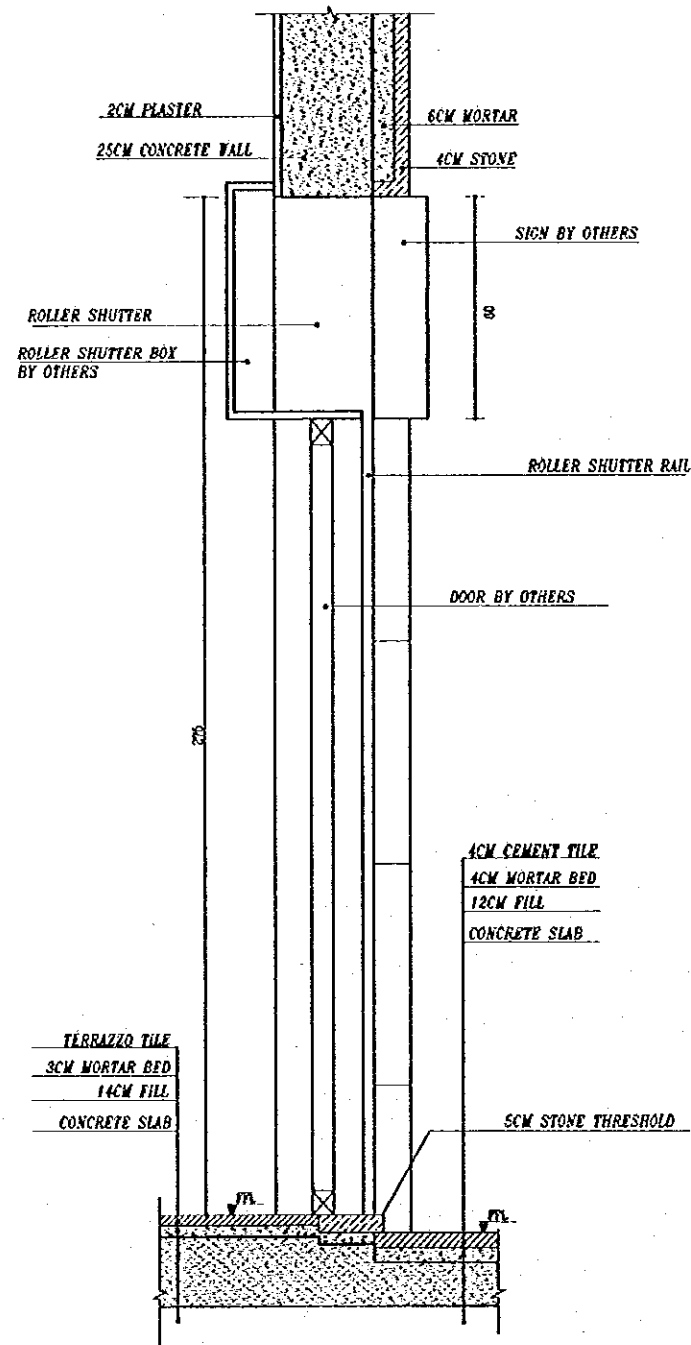
Drawing No: RBT. A910

Note:  
• The detailed design has been evaluated by a team of  
consultants as shown below in accordance with the agreement  
between Japan International Cooperation Agency (JICA) and  
JICA Study Team.  
• The copyright of this drawing rests with JICA.



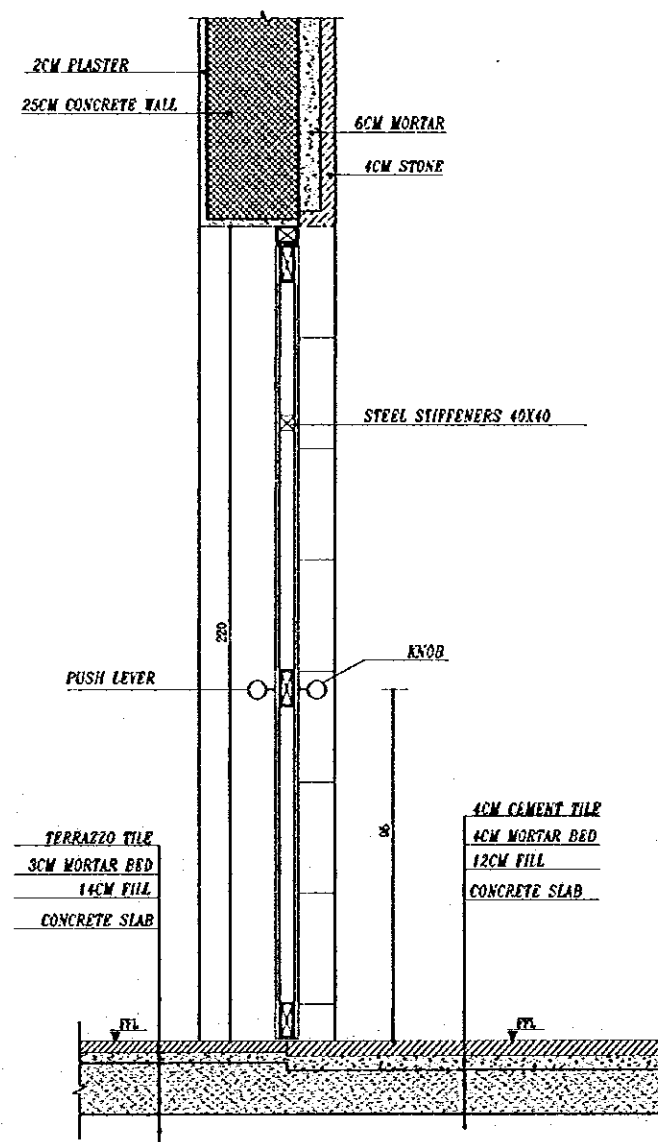
OPENINGS 117 TO 124 INCLUSIVE

L21



OPENINGS 133 TO 142 INCLUSIVE

L22



OPENING No. 155/297

L23

Designed by:

Japan International Cooperation Agency  
(JICA)

JICA Study Team:

Joint Venture of  
Pacific Consultants International and  
Yamasaki Seki Inc.

Subcontracted Local Consultant:

TIBAH Consultants  
Architects, Engineers

محمد عبد الحليم  
Architects, Engineers

Raghadan Bus Terminal

Drawing Title:

DOORS

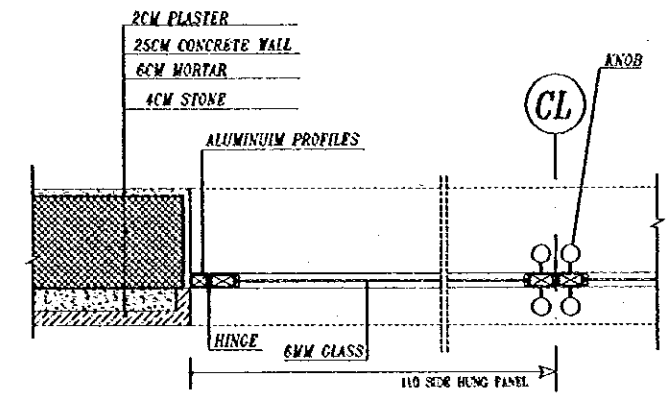
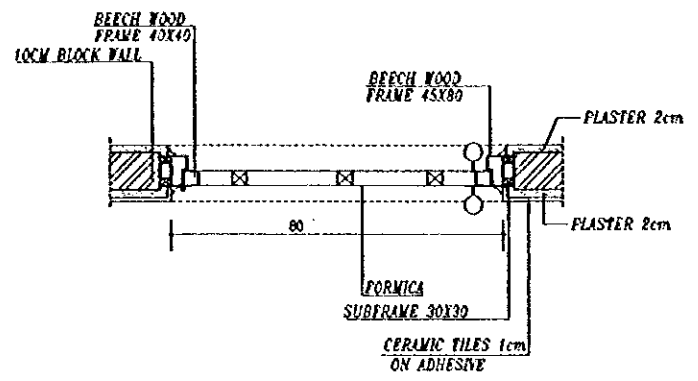
Scale:

1/10

Drawing No.:

RBT. A911

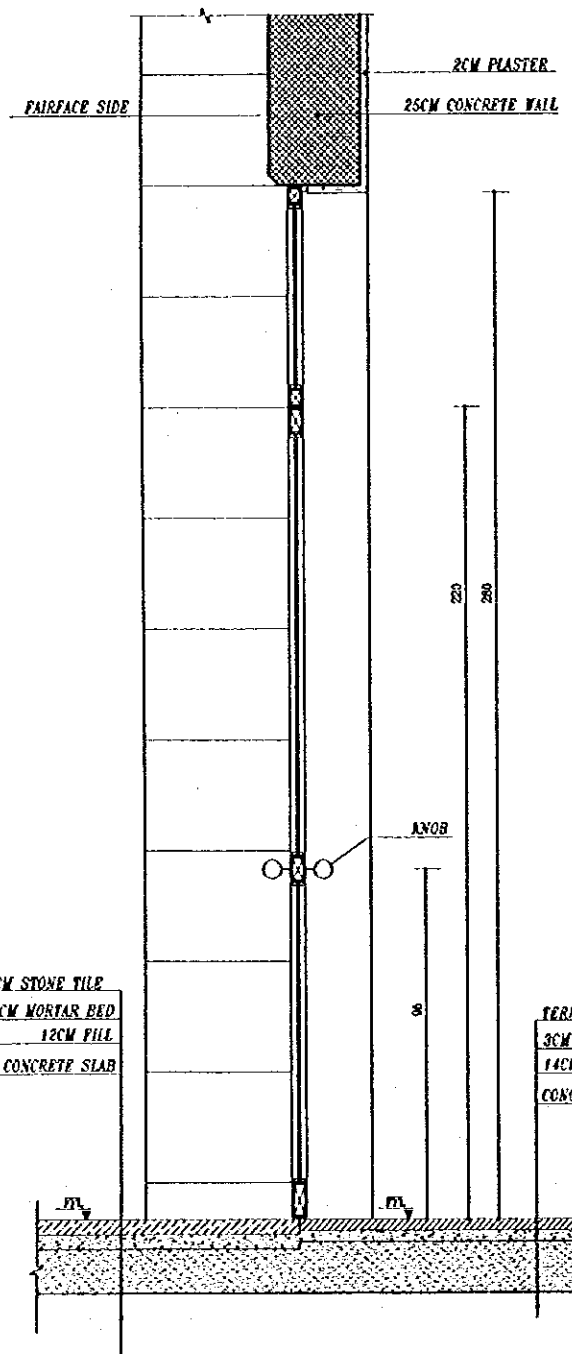
Note:  
• This detailed design has been executed by a team of  
consultants as shown below in accordance with the agreement  
between Japan International Cooperation Agency (JICA) and  
JICA Study Team.  
• The copyright of this drawing rests with JICA.



OPENINGS 158/160/216/219/224/227/231/235/240/243/299/2100/2102/302/304/309/311/402/404/406/408  
OPENINGS 2104

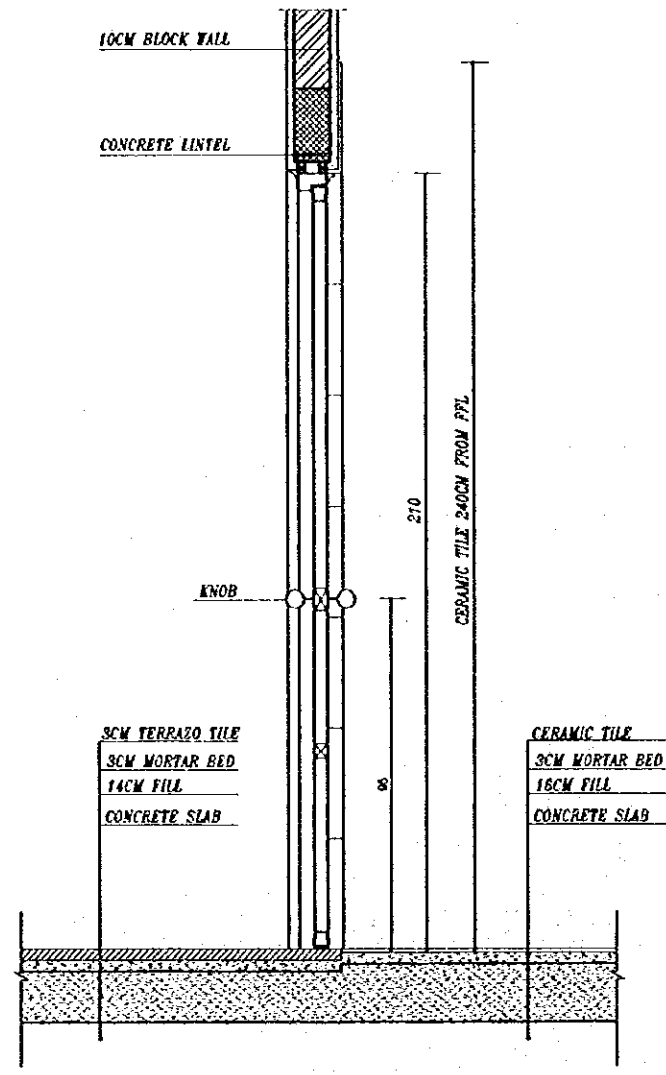
J11 J12

OPENING 201



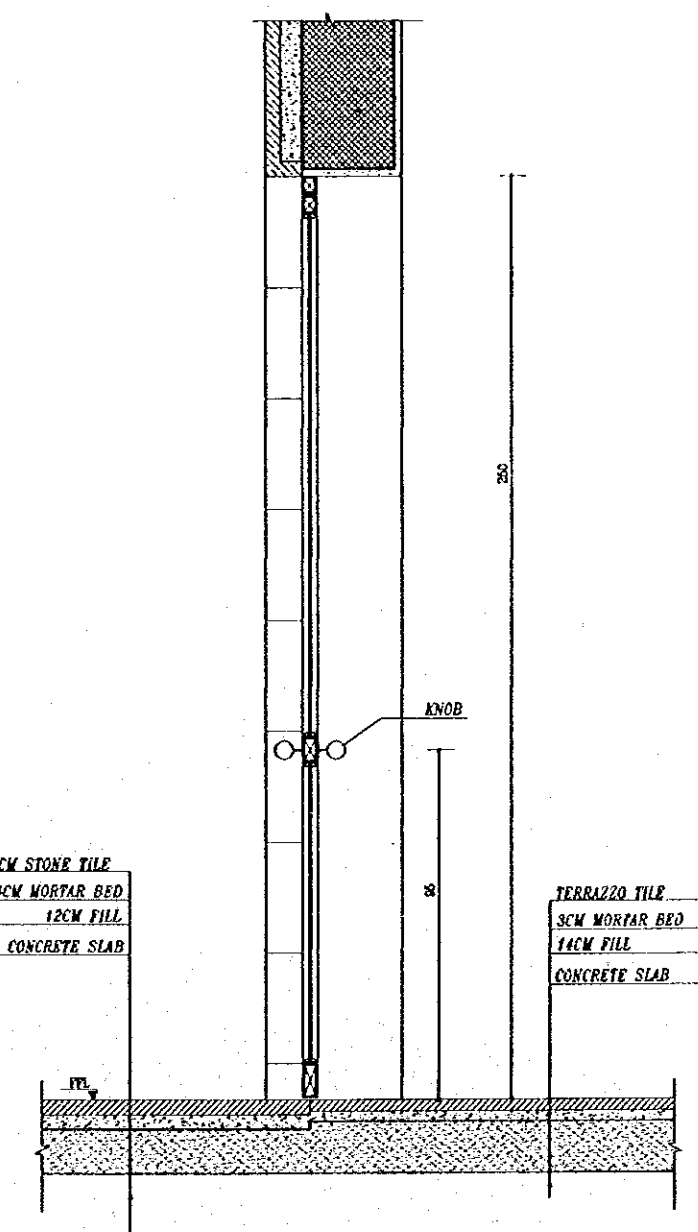
OPENING No 157/296

L24



OPENING No 158/160/216/219/224/227/231/235/240/243/299/2100/2102/302/304/309/311/402/404/408  
OPENING No 406/2104

L25



OPENING No 201

L26

Designed by:  
Japan International Cooperation Agency (JICA)  
JICA Study Team:  
Joint Venture of  
Pacific Consultants International and  
Yamashita Sekkei Inc.  
Subcontracted Local Consultant:  
TRAH Consultants  
Architects, Engineers

Raghadan Bus Terminal

Drawing Title:  
**DOORS**

Scale: 1/10  
Drawing No.: RBT. A912

Notes:  
• This detailed design has been executed by a team of consultants as shown below in accordance with the agreement between Japan International Cooperation Agency (JICA) and JICA Study Team.  
• The copyright of this drawing rests with JICA.

Designed by:  
Japan International Cooperation Agency  
(JICA)

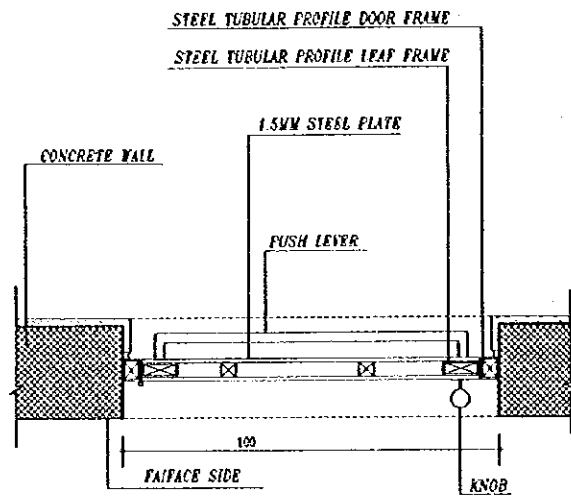
JICA Study Team:  
Joint Venture of  
Pacific Consultants International and  
Yamashita Sekkei Inc.

Subcontracted Local Consultant:  
TBAH Consultants  
Architects, Engineers  


Raghadan Bus Terminal

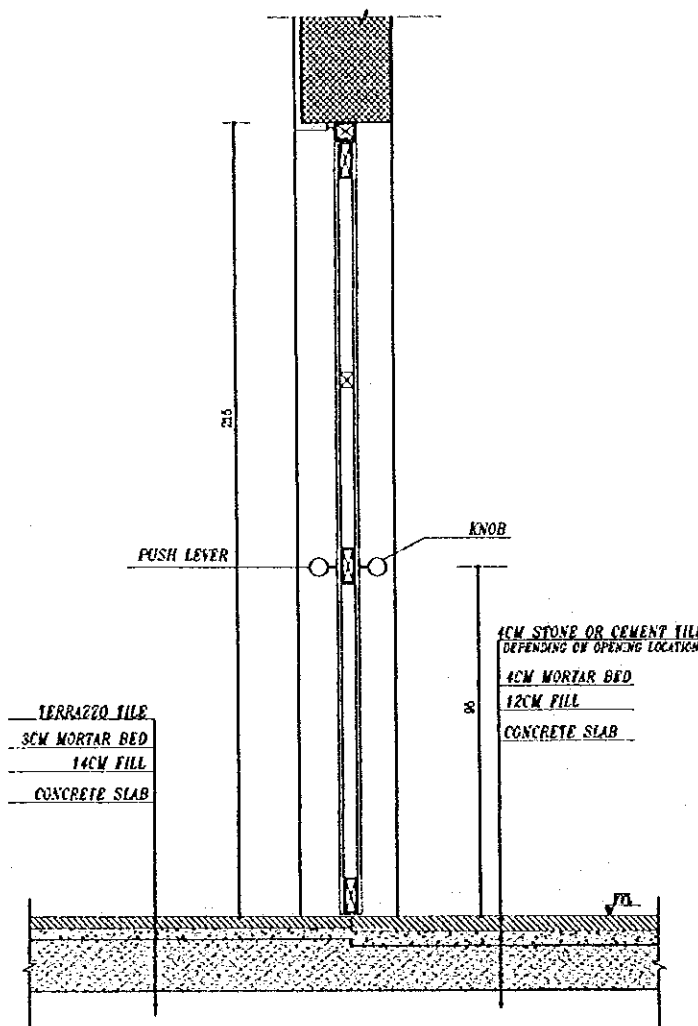
Drawing title:  
**DOORS**

Scale:  
1/10  
Drawing No.:  
RBT. A913



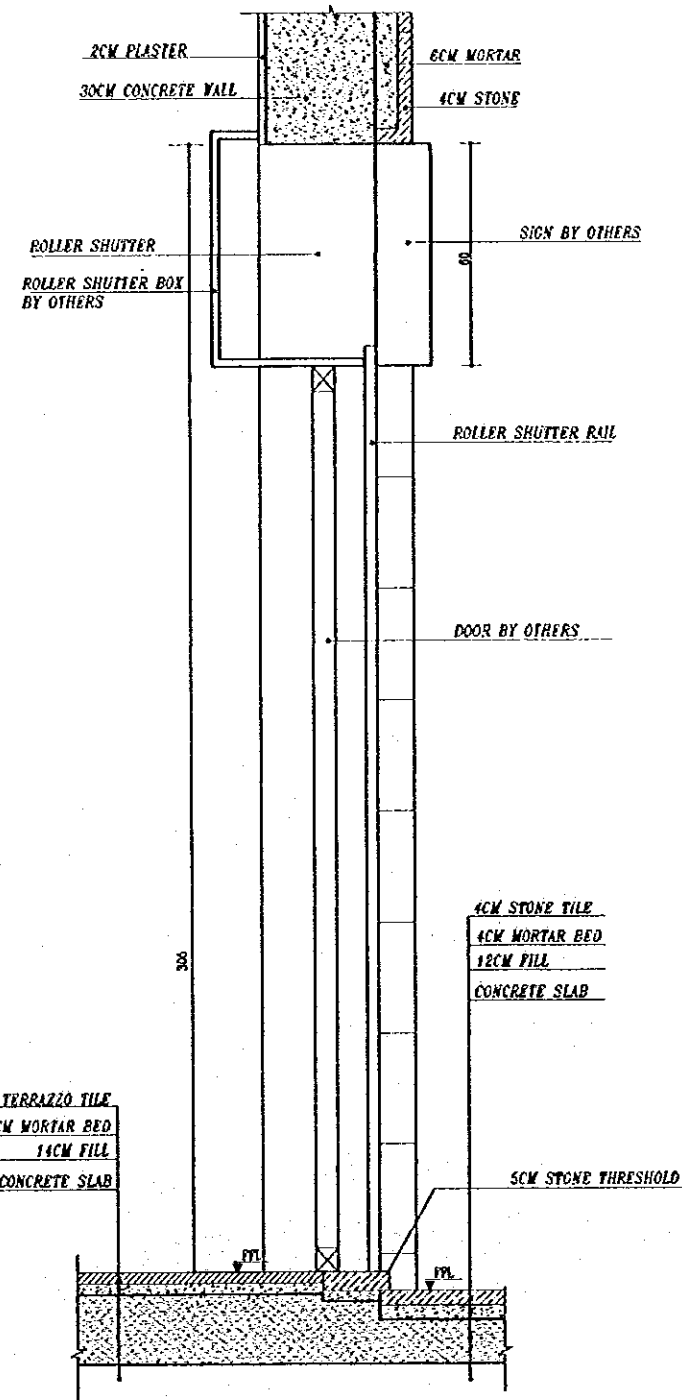
OPENING No 203/077/163

J13



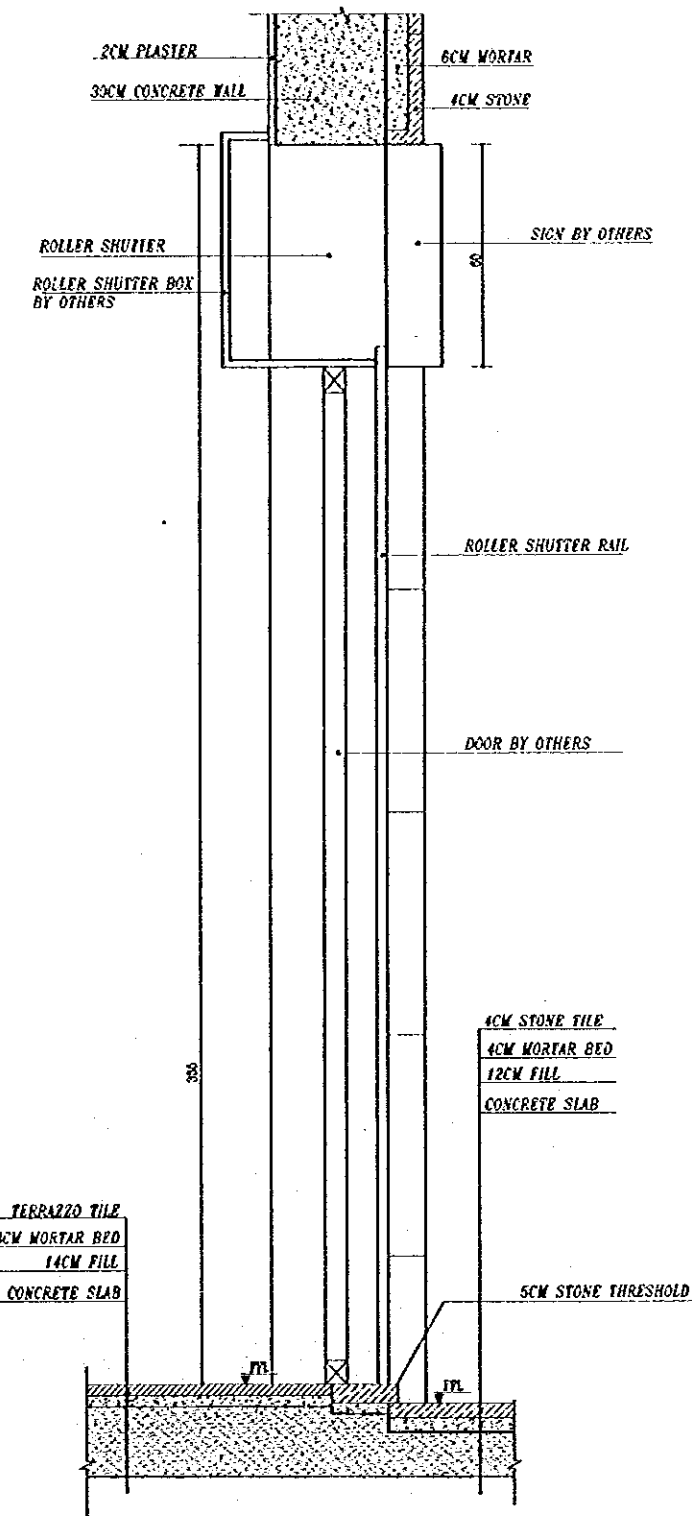
OPENING No 203/077/163

L27



OPENING No 204 TO 205 INCLUSIVE  
OPENING No 260 TO 285 INCLUSIVE  
OPENING No 293 TO 295 INCLUSIVE

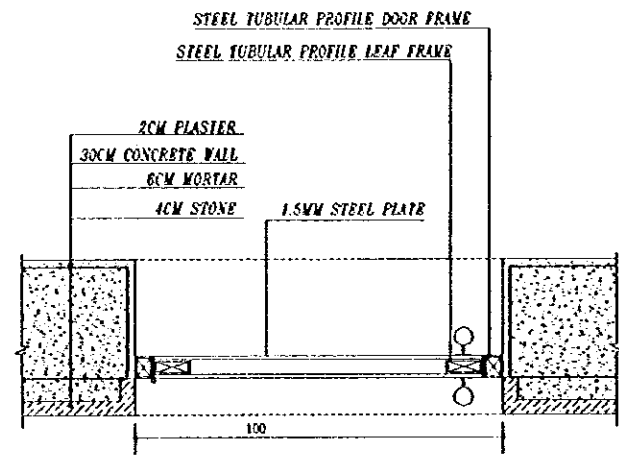
L28



OPENING No 210/223/230

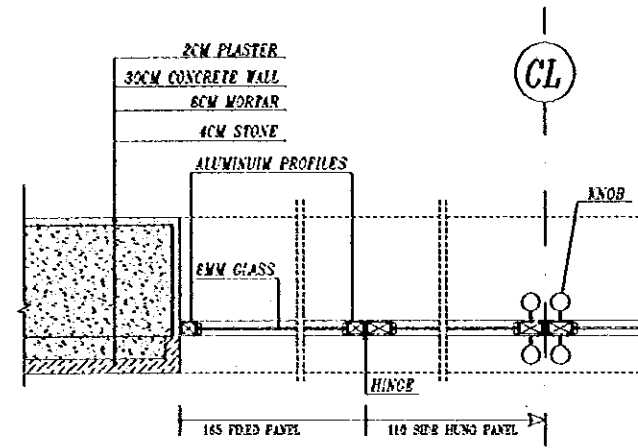
L29

Note:  
• This detailed design has been executed by a team of  
consultants as shown below in accordance with the agreement  
between Japan International Cooperation Agency (JICA) and  
JICA Study Team.  
• The copyright of this drawing rests with JICA.



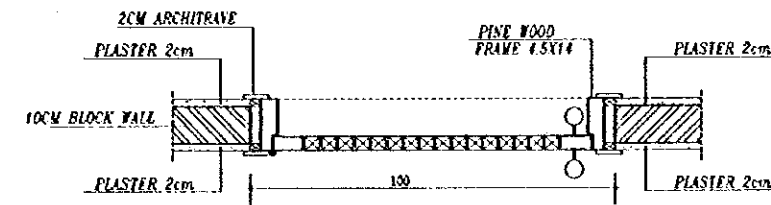
OPENING 211/221/248/247

J14

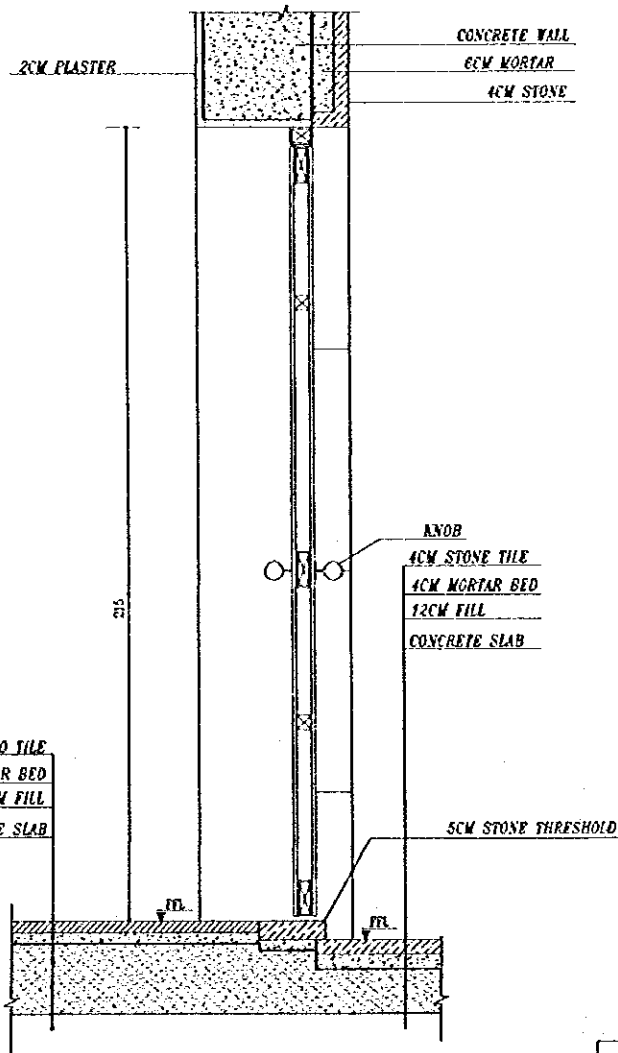


OPENING 214/222/231

J15 J16

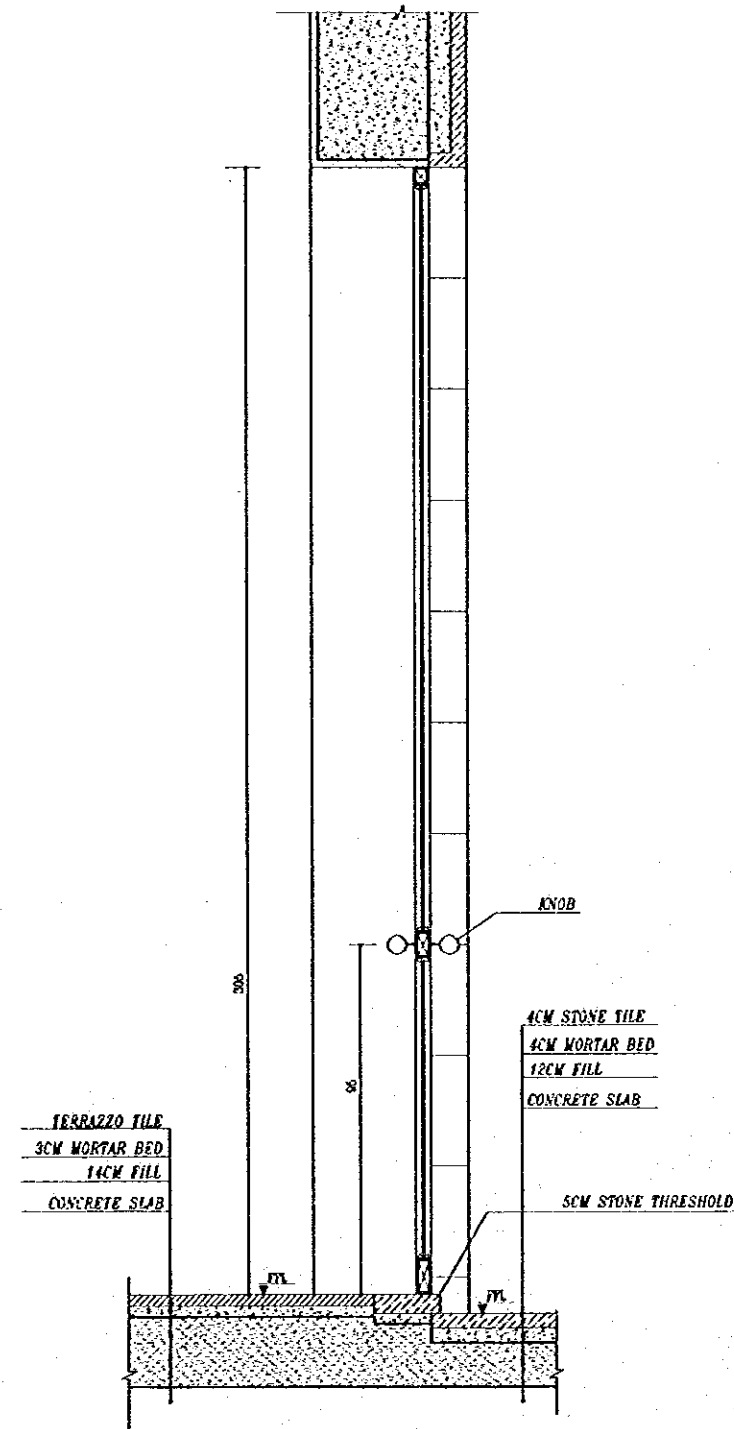


OPENING 215/223/233/239



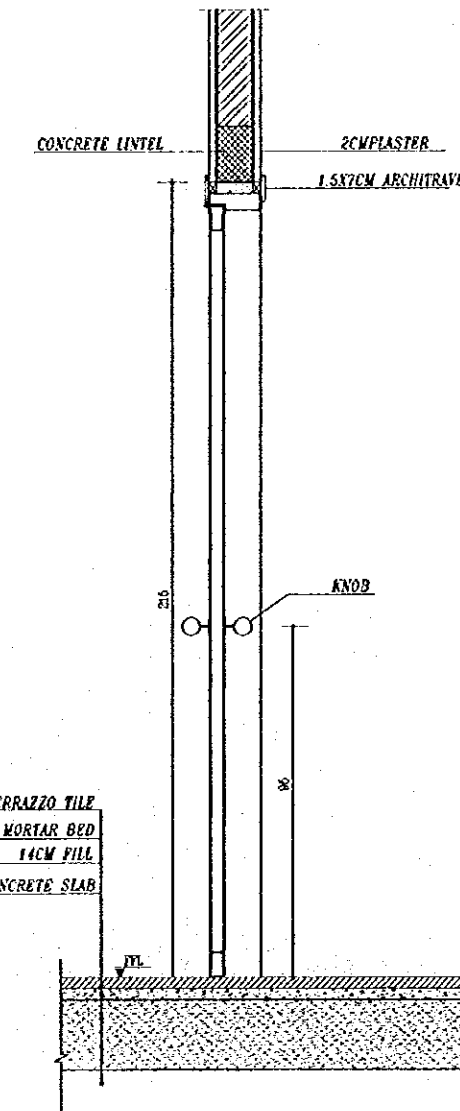
OPENING 211/221

L30



OPENING 214/222/231

L31



215/223/233/239

Designed by:

Japan International Cooperation Agency  
(JICA)

JICA Study Team:

Joint Venture of  
Pacific Consultants International and  
Yamato Seisak Co. Inc.

Subcontracted Local Consultant:

TBAH Consultants  
Architects, Engineers



Raghadan Bus Terminal

Drawing Title:

DOORS

Scale:

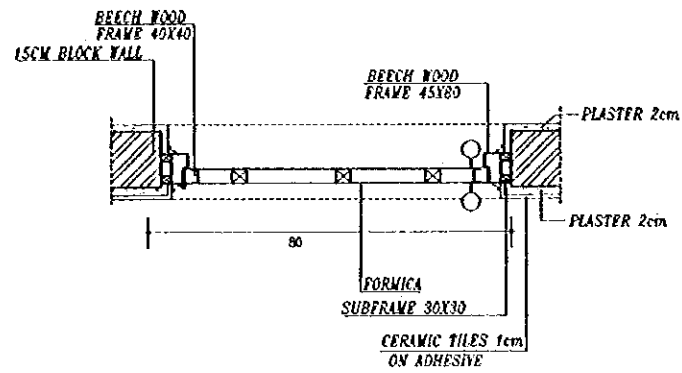
1/10

Drawing No.:

RBT. A914

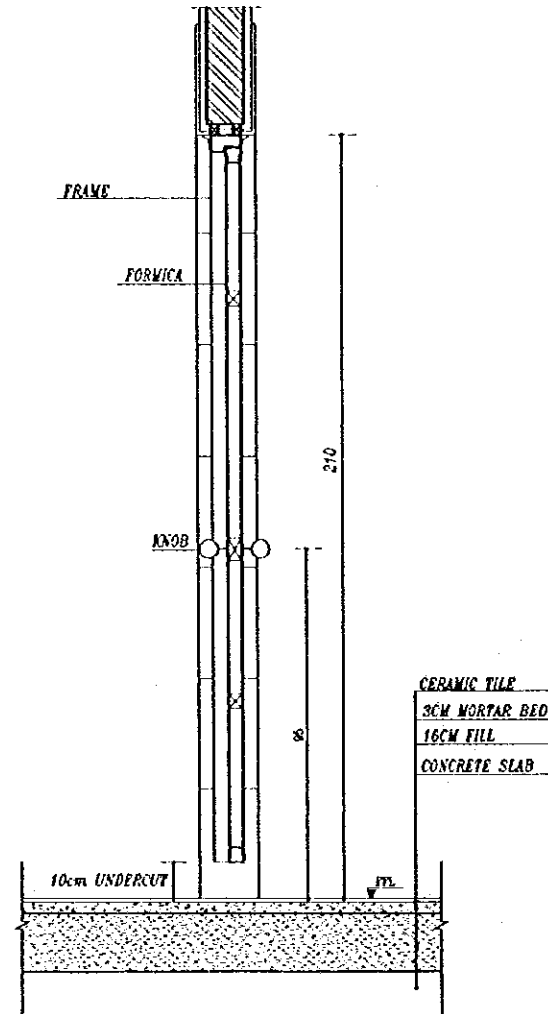
L32

Note:  
• This detailed design has been executed by a team of  
consultants as shown below in accordance with the agreement  
between Japan International Cooperation Agency (JICA) and  
JICA Study Team.  
• The copyright of this drawing rests with JICA.



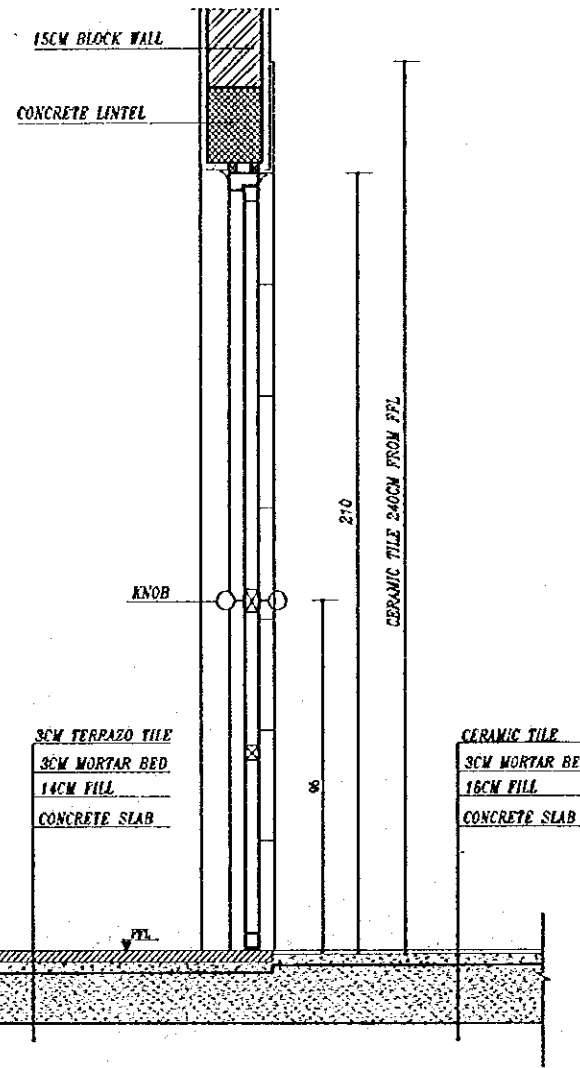
OPENING 220/228/232

J17



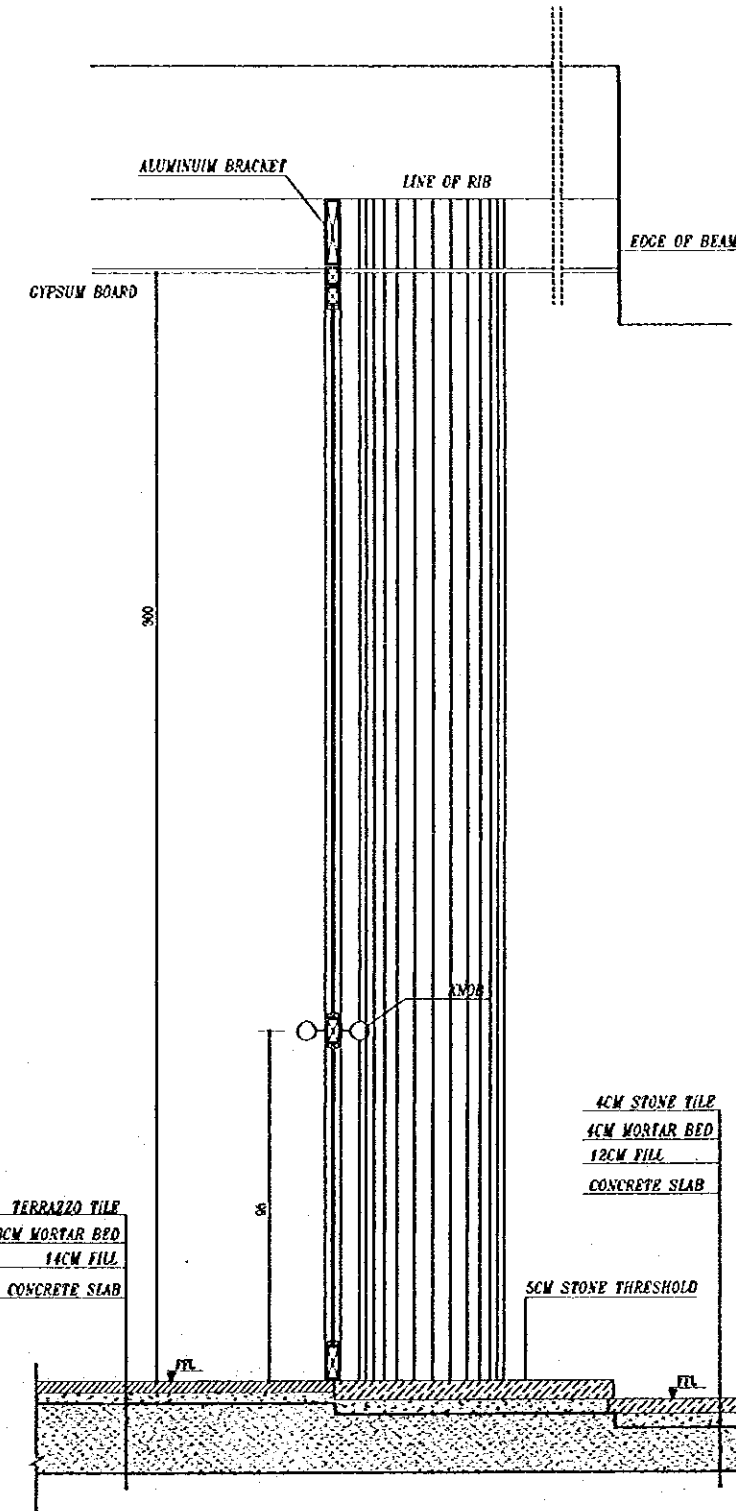
OPENING 217/218/225/228/238/237/241/242

L33



OPENING No 220/228/232

L34



OPENING 238

L35

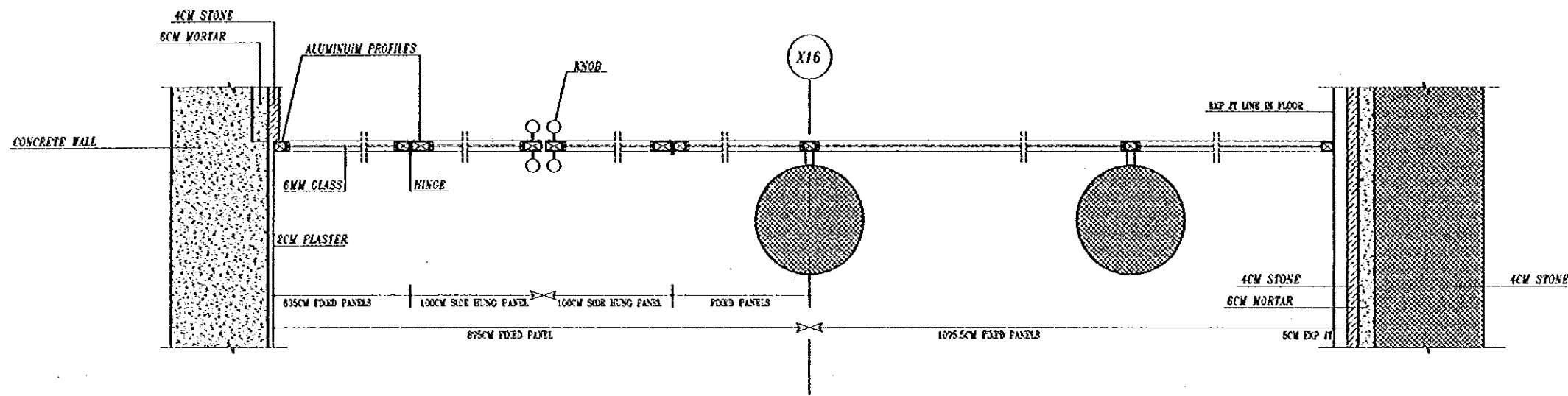
Designed by:  
Japan International Cooperation Agency  
(JICA)  
JICA Study Team:  
Joint Venture of  
Pacific Consultants International and  
Yamasita Sekkei Inc.  
Subcontracted Local Consultant:  
TIBAH Consultants  
Architects Engineers

Raghadan Bus Terminal

Drawing title:  
DOORS

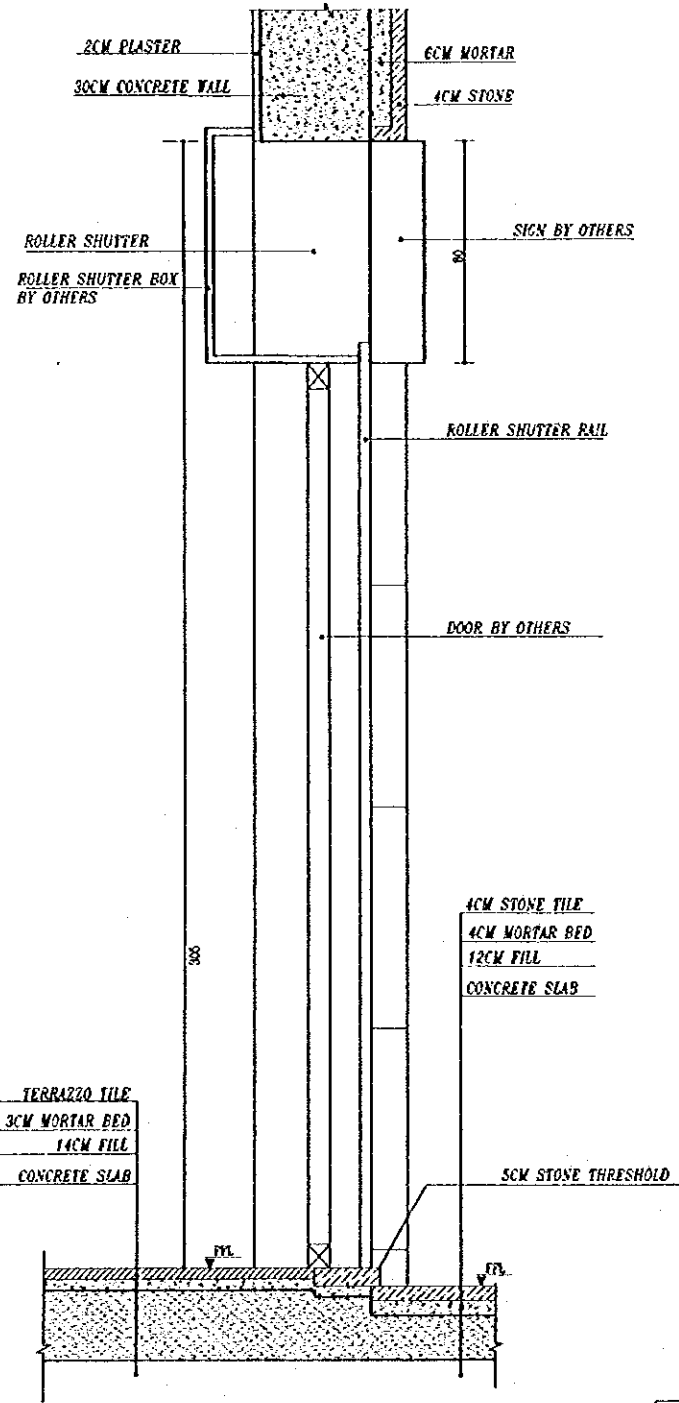
Scale: 1/10 Drawing No.: RBT. A915





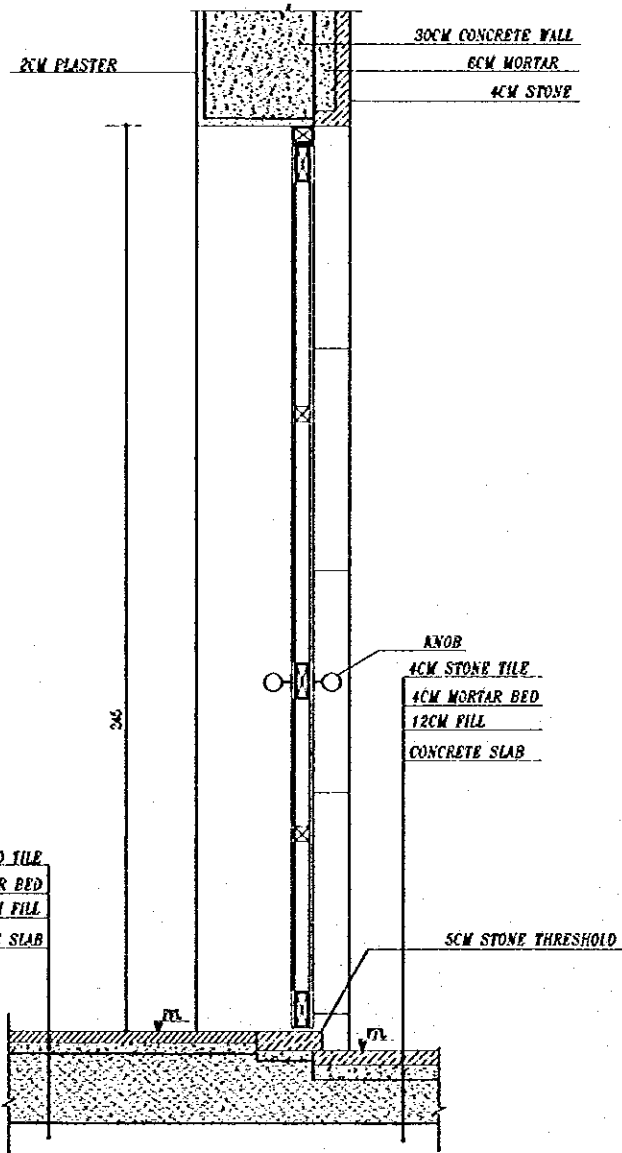
OPENING 233

J18



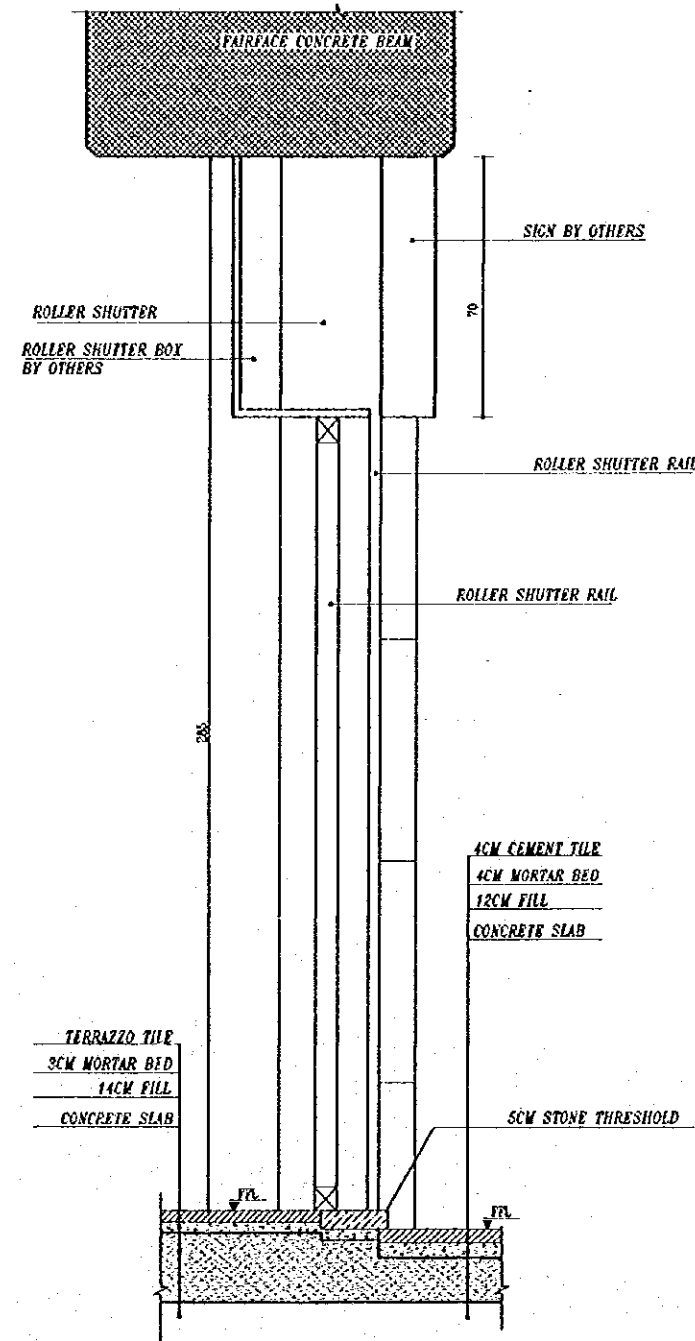
OPENINGS 244/245/248/249/250/251

L36



OPENINGS 246/247

L37/L42



OPENINGS 143 TO 146

Tourism Sector Development Project  
in the Hashemite Kingdom of Jordan

The Government of  
the Hashemite Kingdom of Jordan  
The Ministry of Tourism and Antiquities  
The Ministry of Planning

Sub-Project:  
Amman Downtown  
Tourist Zone Development

Note:  
• The detailed design has been executed by a team of  
consultants as shown below in accordance with the agreement  
between Japan International Cooperation Agency (JICA) and  
JICA Study Team.  
• The copyright of this drawing rests with JICA.

Designed by:  
Japan International Cooperation Agency  
(JICA)

JICA Study Team:  
Joint Venture of  
Pacific Consultants International and  
Yamasa Settei Inc.

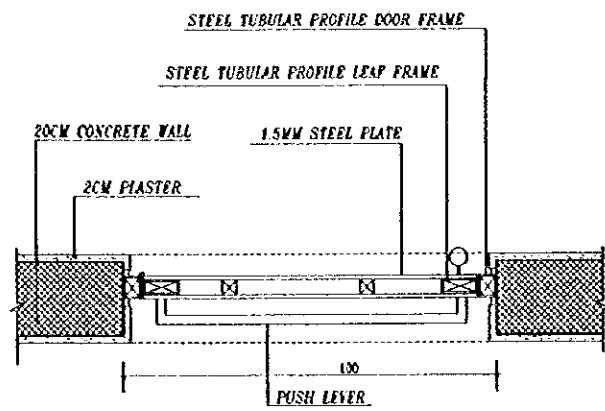
Subcontracted Local Consultant:  
TIBAH Consultants  
Architects/Engineers

Handwritten signature and stamp.

Raghadan Bus Terminal

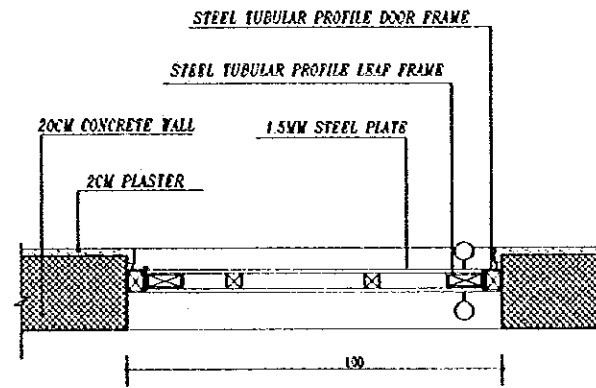
Drawing title:  
DOORS

Scale: 1/10  
Drawing No: RBT. A916

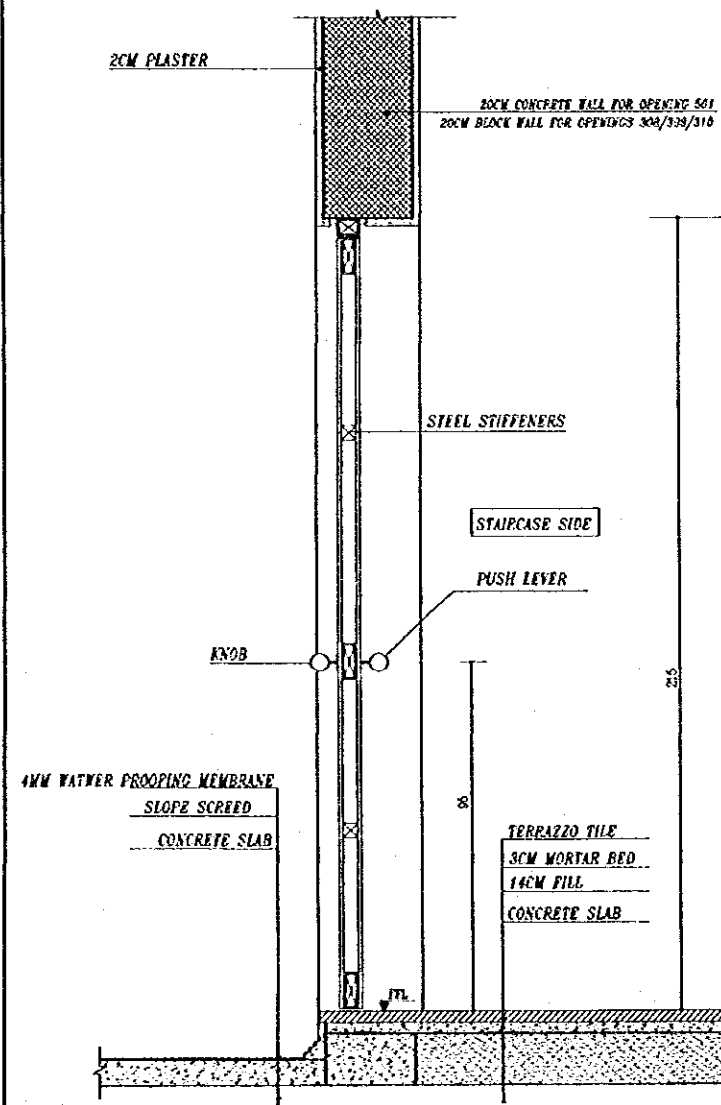


OPENING No 501/501/502/511

J19 J20

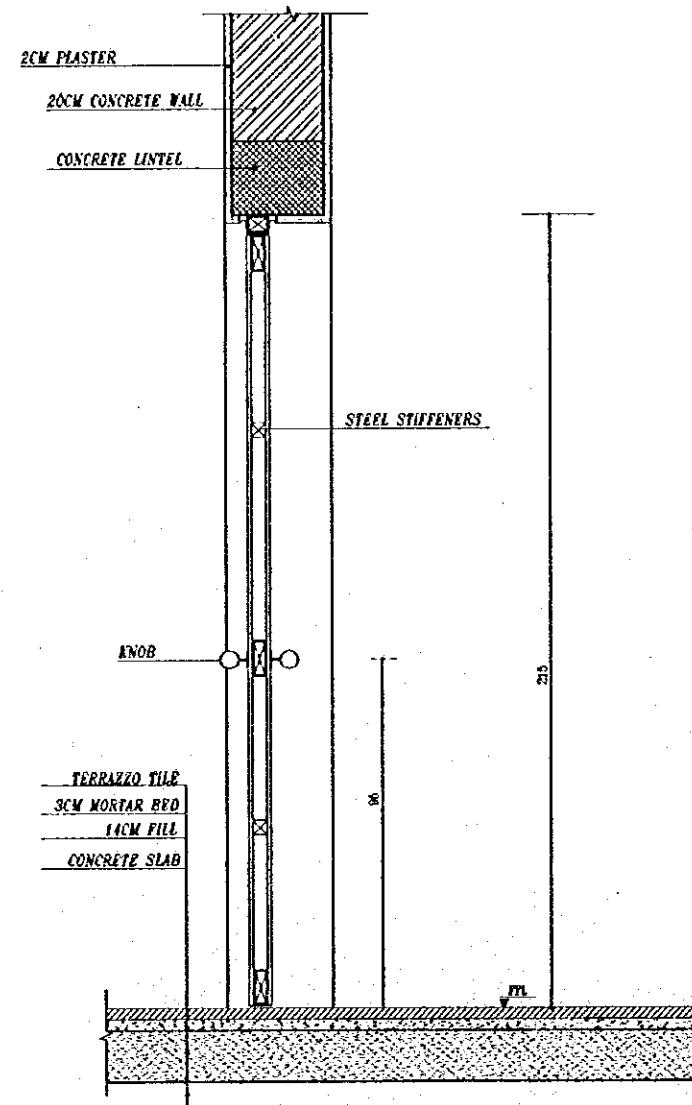


OPENING No 503/506/509/512



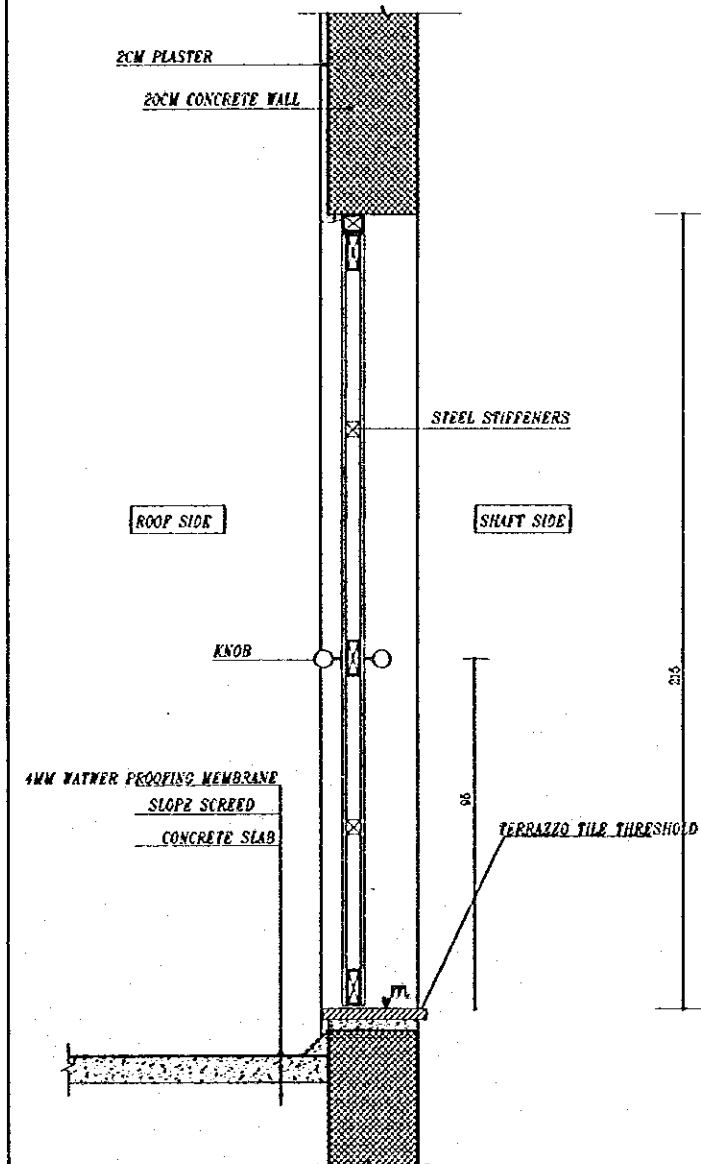
OPENINGS 305/306/307/501/504/508/511

L38



OPENING No 165/502/505/507/510/080

L39



OPENINGS 503/506/509/512

L40

Designed by:  
Japan International Cooperation Agency  
(JICA)  
JICA Study Team:  
Joint Venture of  
Pacific Consultants International and  
Yamato Setekai Inc.  
Subcontracted Local Consultant:  
TBAH Consultants  
Architects, Engineers

Raghadan Bus Terminal

Drawing Title:  
DOORS

Scale: 1/10 Drawing No: RBT. A917