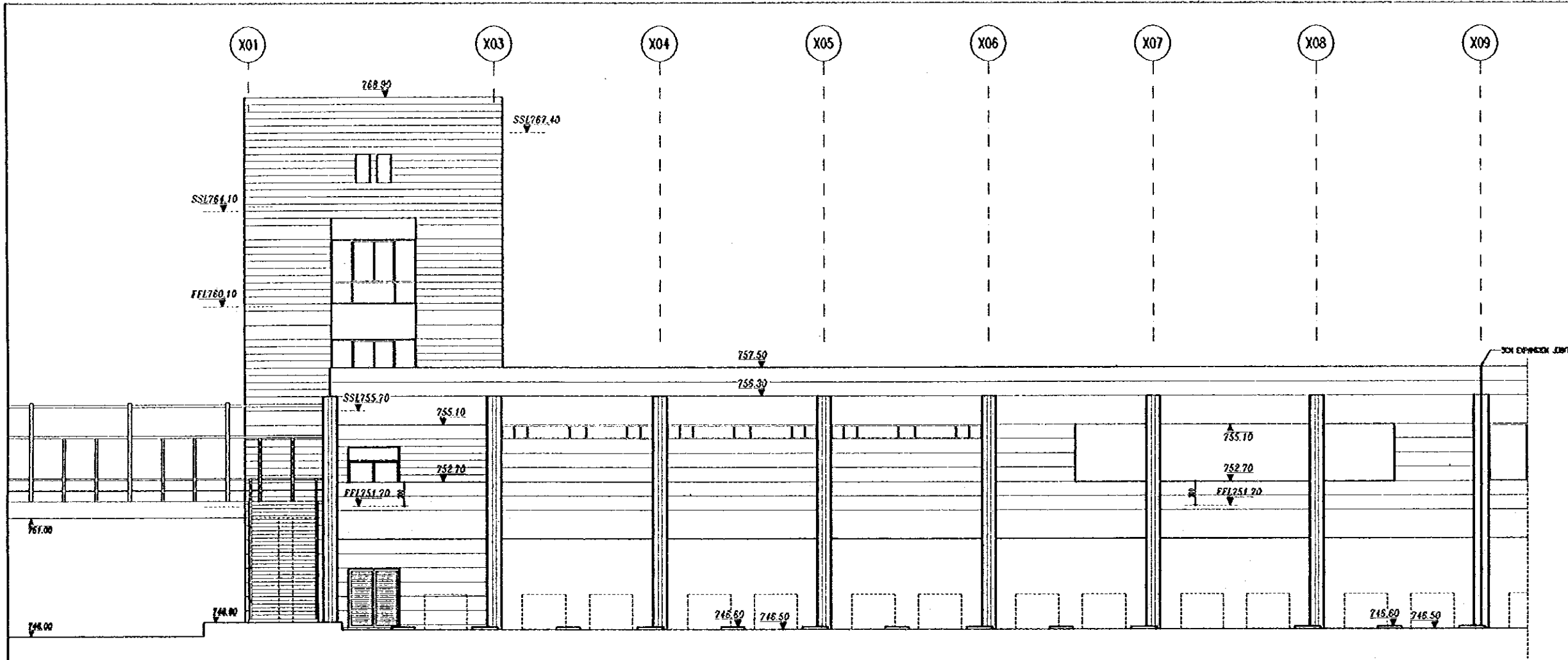


Tourism Sector Development Project  
in the Hashemite Kingdom of Jordan

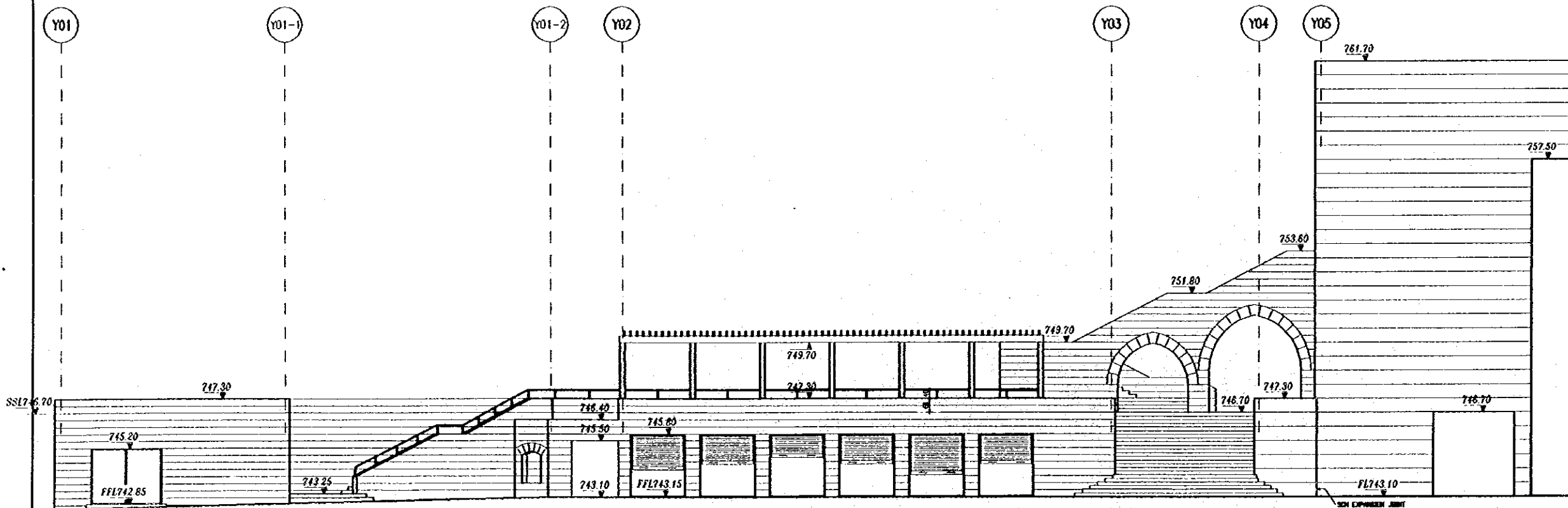
The Government of  
the Hashemite Kingdom of Jordan  
The Ministry of Tourism and Antiquities  
The Ministry of Planning

Sub-Project:  
Amman Downtown  
Tourist Zone Development

Note:  
• This detailed design has been executed by a team of  
consultants as shown below in accordance with the agreement  
between Japan International Cooperation Agency (JICA) and  
JICA Study Team.  
• The copyright of this drawing rests with JICA.



SOUTH ELEVATION-Z1



EAST ELEVATION-Z6

Designed by:  
Japan International Cooperation Agency  
(JICA)

JICA Study Team:  
Joint Venture of  
Pacific Consultants International and  
Yamashita Seki & Co. Inc.

Subcontracted Local Consultant:

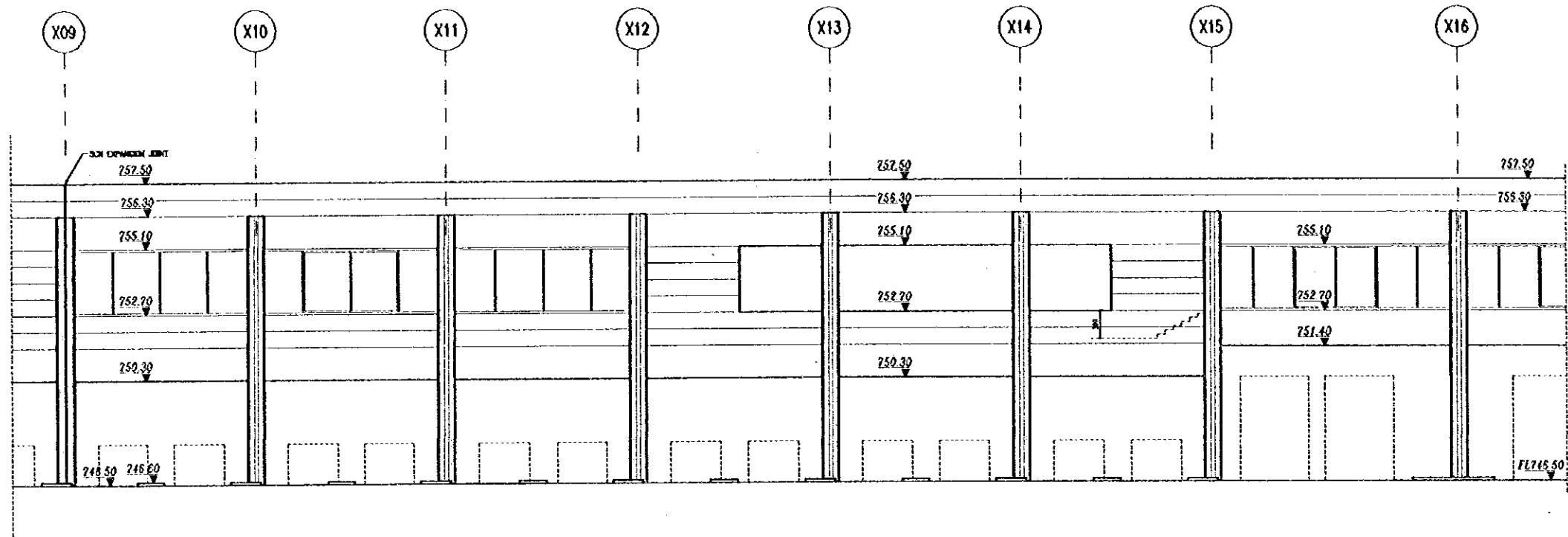
TBAH Consultants  
Architects, Engineers  


Raghadan Bus Terminal

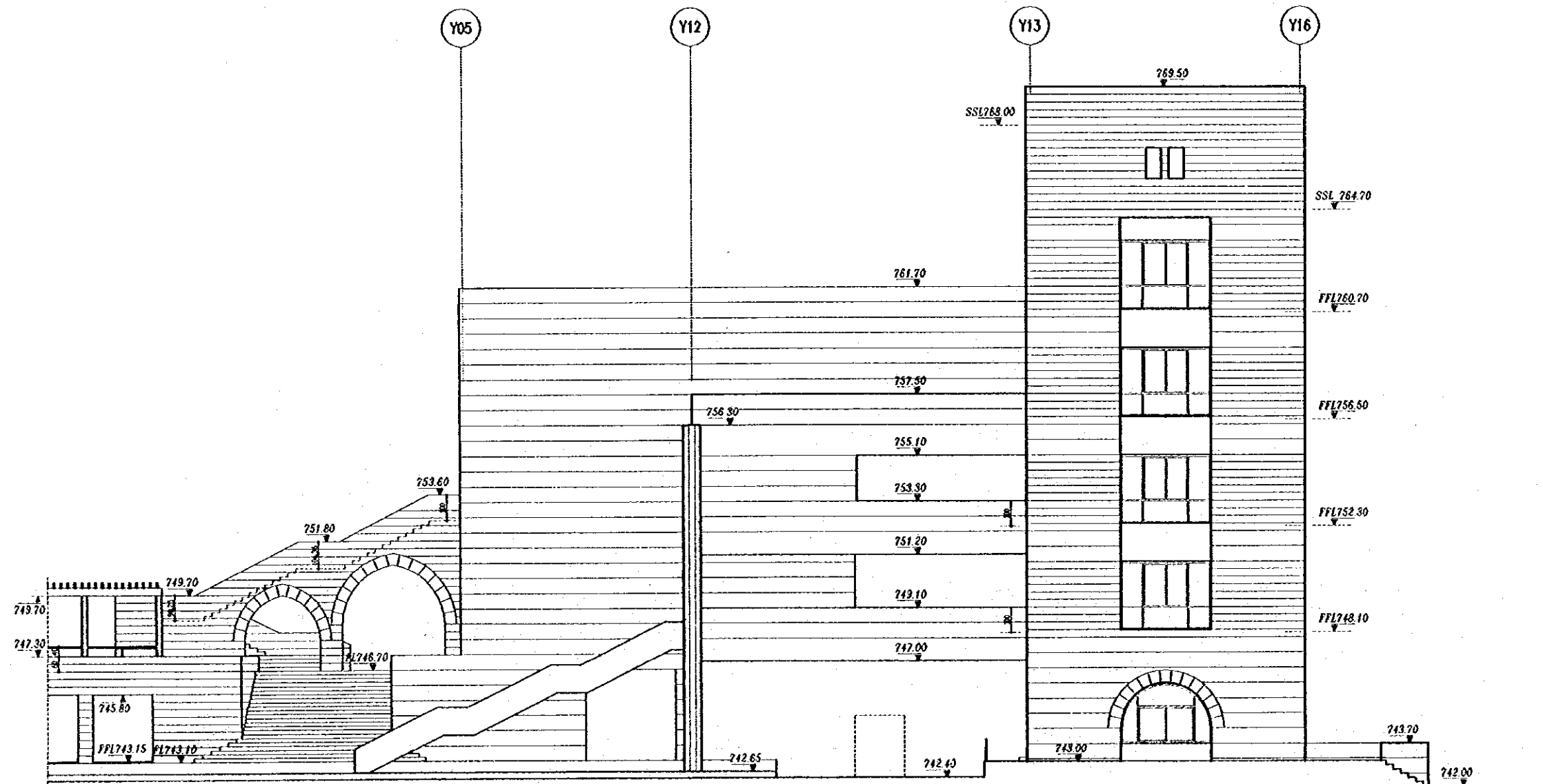
Drawing Title:  
SOUTH & EAST ELEVATION  
ZONE 1+6

Scale:  
1/100

Drawing No.:  
RBT. A404



SOUTH ELEVATION-Z2



EAST ELEVATION-Z5

Tourism Sector Development Project  
in the Hashemite Kingdom of Jordan

The Government of  
the Hashemite Kingdom of Jordan  
The Ministry of Tourism and Antiquities  
The Ministry of Planning

Sub-Project:  
Amman Downtown  
Tourist Zone Development

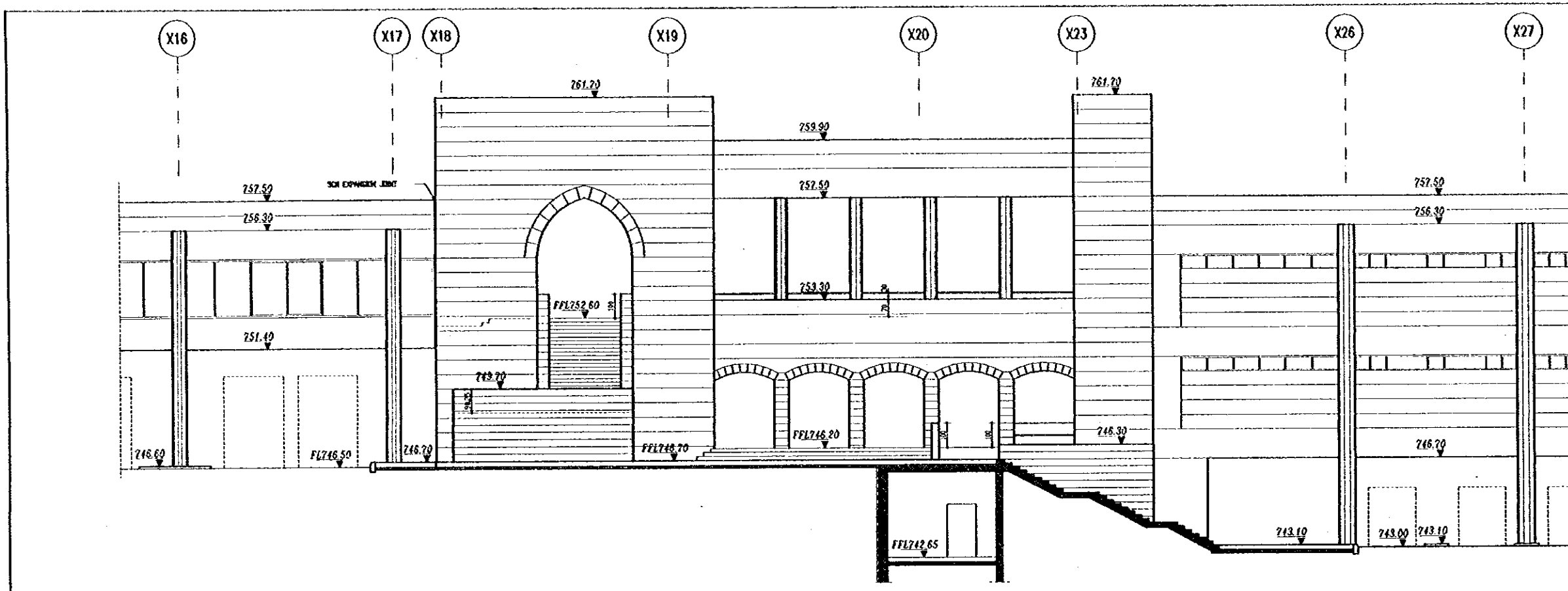
Note:  
• This detailed design has been executed by a team of  
consultants as shown below in accordance with the agreement  
between Japan International Cooperation Agency (JICA) and  
JICA Study Team.  
• The copyright of this drawing rests with JICA.

Designed by:  
Japan International Cooperation Agency  
(JICA)  
JICA Study Team:  
Joint Venture of  
Pacific Consultants International and  
Yamashita Sekitai Inc.  
Subcontracted Local Consultant:  
TBAH Consultants  
Architects, Engineers

Raghadan Bus Terminal

Drawing Title:  
SOUTH & EAST ELEVATION  
ZONE 2+5

Scale:  
1/100  
Drawing No.:  
RBT. A405



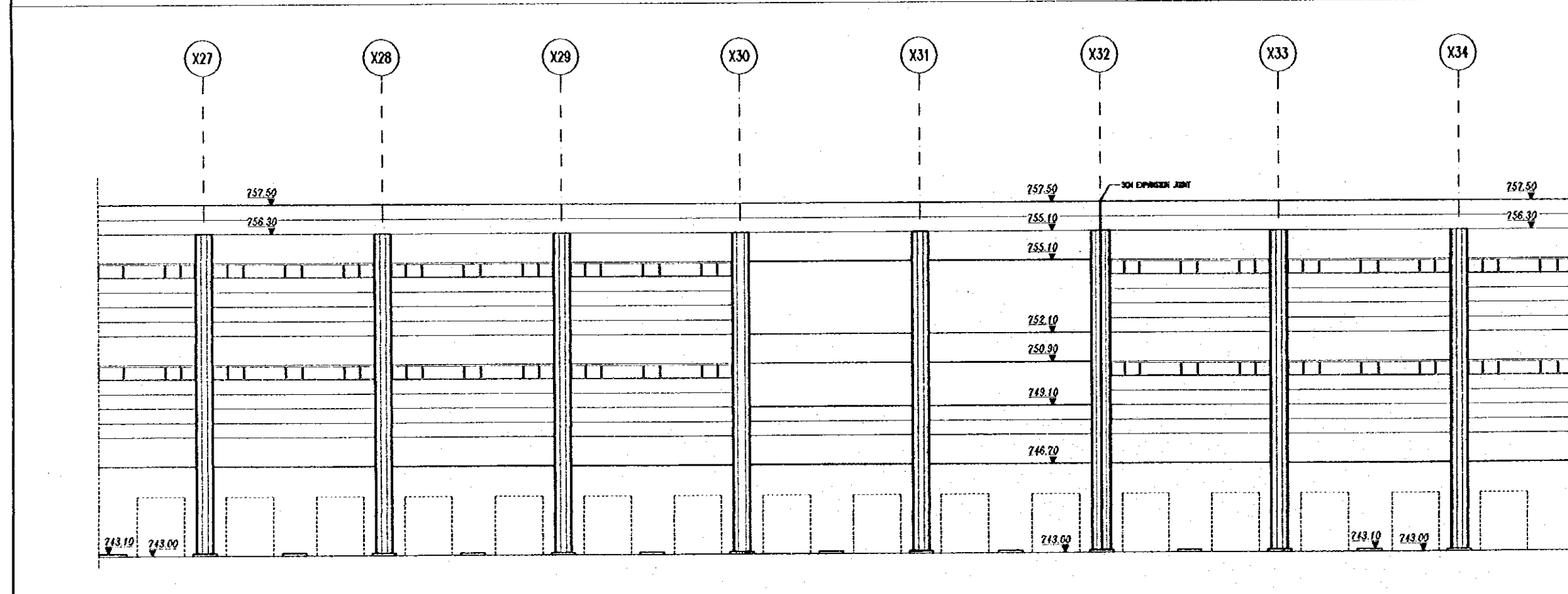
SOUTH ELEVATION-Z3

Tourism Sector Development Project  
in the Hashemite Kingdom of Jordan

The Government of  
the Hashemite Kingdom of Jordan  
The Ministry of Tourism and Antiquities  
The Ministry of Planning

Sub-Project:  
Amman Downtown  
Tourist Zone Development

Note:  
• This detailed design has been executed by a team of  
consultants as shown below in accordance with the agreement  
between Japan International Cooperation Agency (JICA) and  
JICA Study Team.  
• The copyright of this drawing rests with JICA.



SOUTH ELEVATION-Z4

Designed by:  
Japan International Cooperation Agency  
(JICA)

JICA Study Team:  
Joint Venture of  
Pacific Consultants International and  
Yamashita Sekkei Inc.

Subcontracted Local Consultant:  
TRIAN Consultants  
Architects, Engineers

Raghadan Bus Terminal

Drawing Title:  
SOUTH ELEVATION  
ZONE 3+4

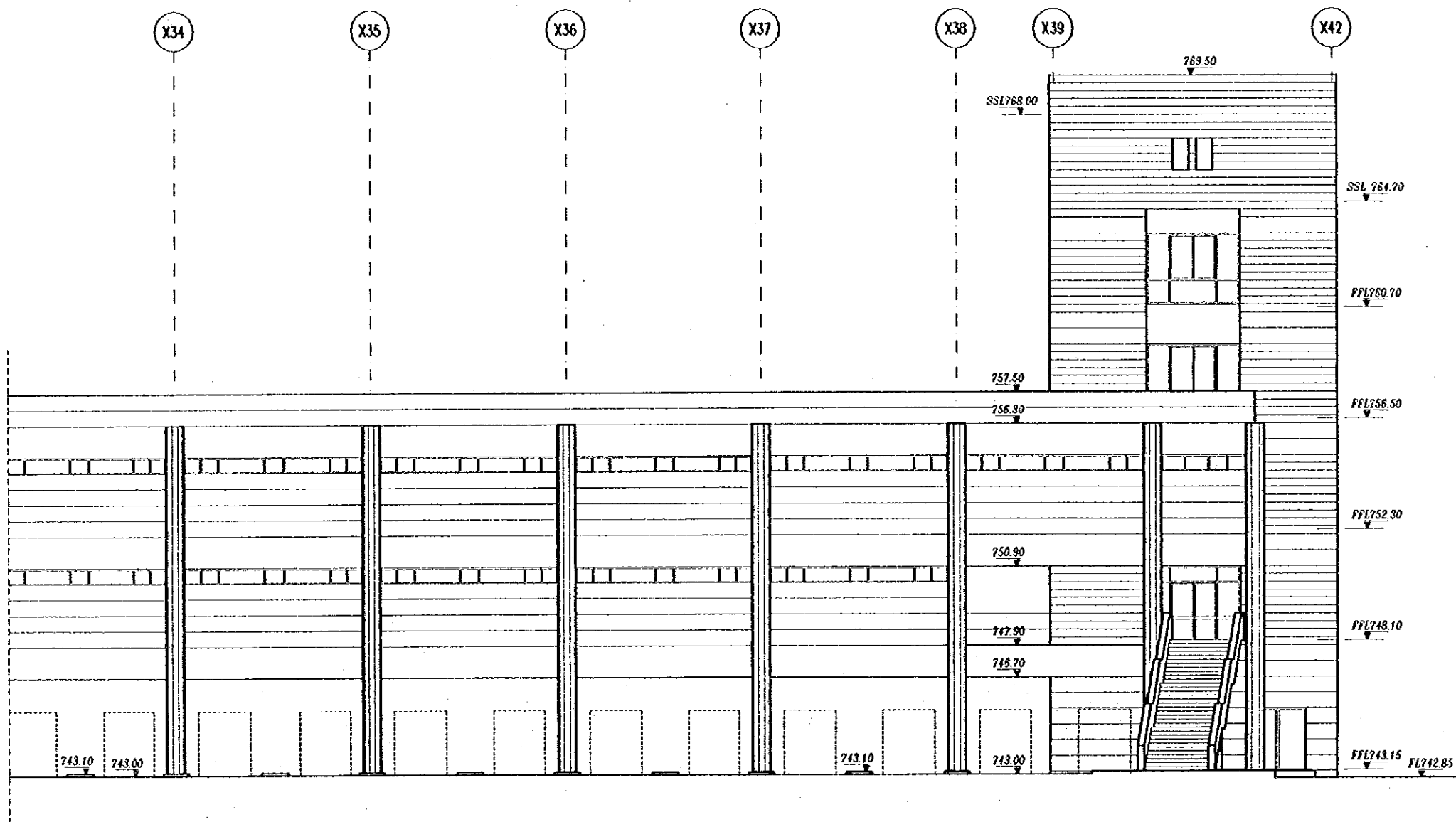
Scale: 1/100 Drawing No: RBT. A406

Tourism Sector Development Project  
in the Hashemite Kingdom of Jordan

The Government of  
the Hashemite Kingdom of Jordan  
The Ministry of Tourism and Antiquities  
The Ministry of Planning

Sub-Project:  
Amman Downtown  
Tourist Zone Development

Note:  
• The detailed design has been executed by a team of  
consultants as shown below in accordance with the agreement  
between Japan International Cooperation Agency (JICA) and  
JICA Study Team.  
• The copyright of this drawing rests with JICA.



Designed by:  
Japan International Cooperation Agency  
(JICA)  
JICA Study Team:  
Joint Venture of  
Pacific Consultants International and  
Yamashita Sekkei Inc.  
Subcontracted Local Consultant:  
TIBAH Consultants  
Architects, Engineers  


Raghadan Bus Terminal

Drawing Title:  
SOUTH ELEVATION  
ZONE 5

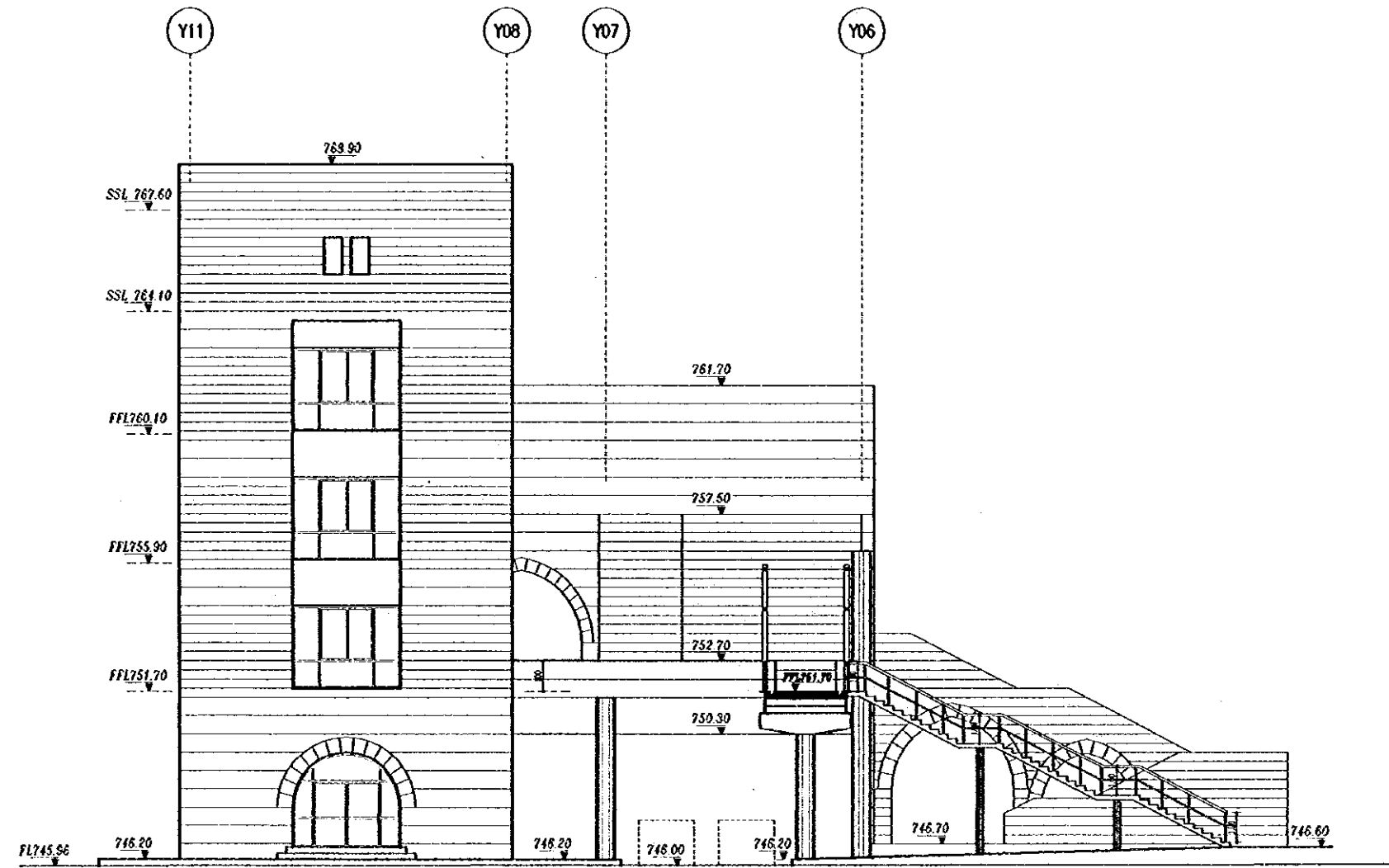
Scale: 1/100  
Drawing No.: RBT. A407

Tourism Sector Development Project  
in the Hashemite Kingdom of Jordan

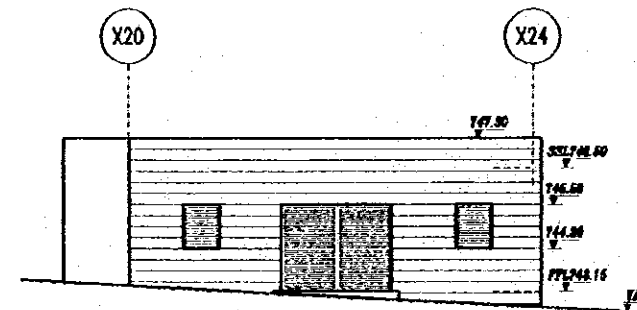
The Government of  
the Hashemite Kingdom of Jordan  
The Ministry of Tourism and Antiquities  
The Ministry of Planning

Sub Project:  
Amman Downtown  
Tourist Zone Development

Note:  
• This detailed design has been executed by a team of consultants as shown below in accordance with the agreement between Japan International Cooperation Agency (JICA) and JICA Study Team.  
• The copyright of this drawing rests with JICA.



WEST ELEVATION-Z1



SOUTH ELEVATION-Z6

Designed by:

Japan International Cooperation Agency  
(JICA)

JICA Study Team:

Joint Venture of  
Pacific Consultants International and  
Yamasa Seikei Inc.

Subcontracted Local Consultant:

TBAH Consultants  
Architects, Engineers

محمد عبد الحليم  
Raghadan Bus Terminal

Raghadan Bus Terminal

Drawing Title:

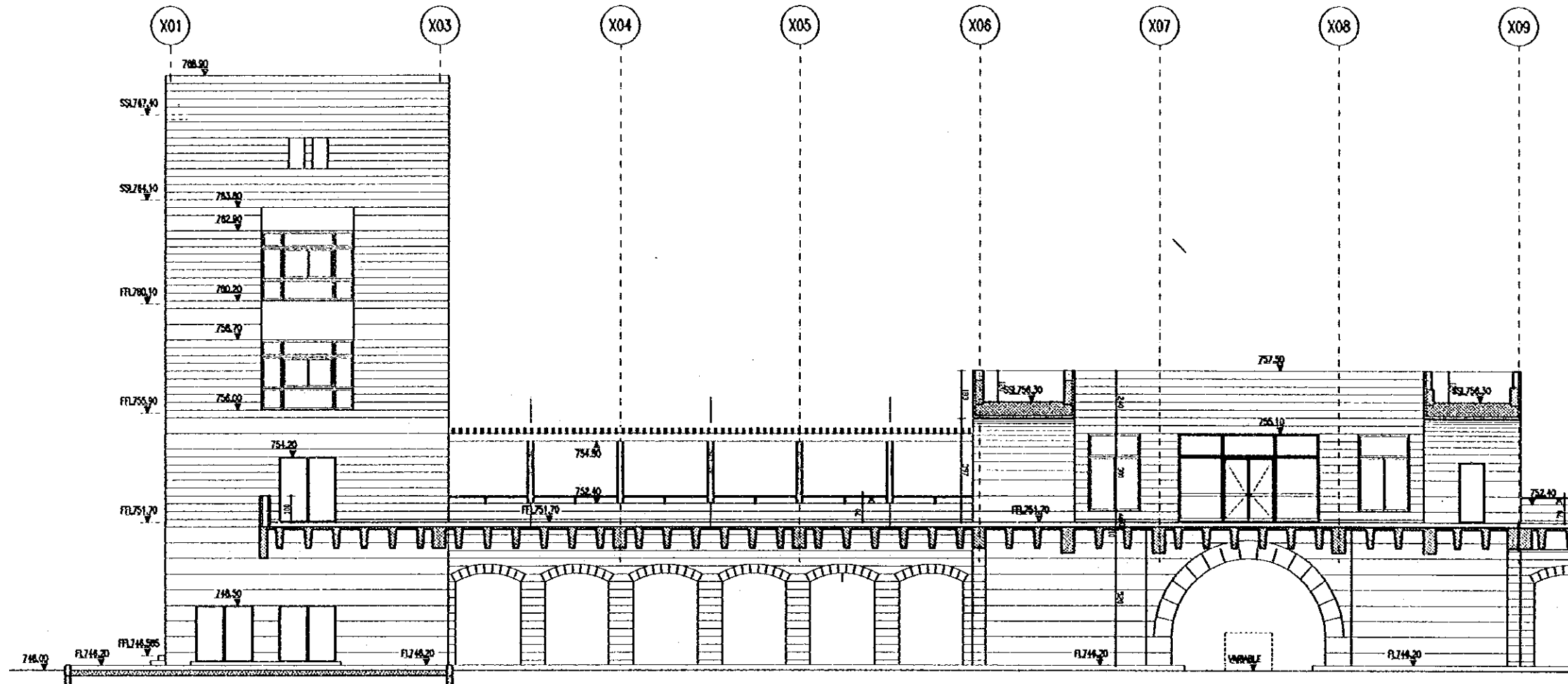
WEST & SOUTH ELEVATION  
ZONE 1+6

Scale:

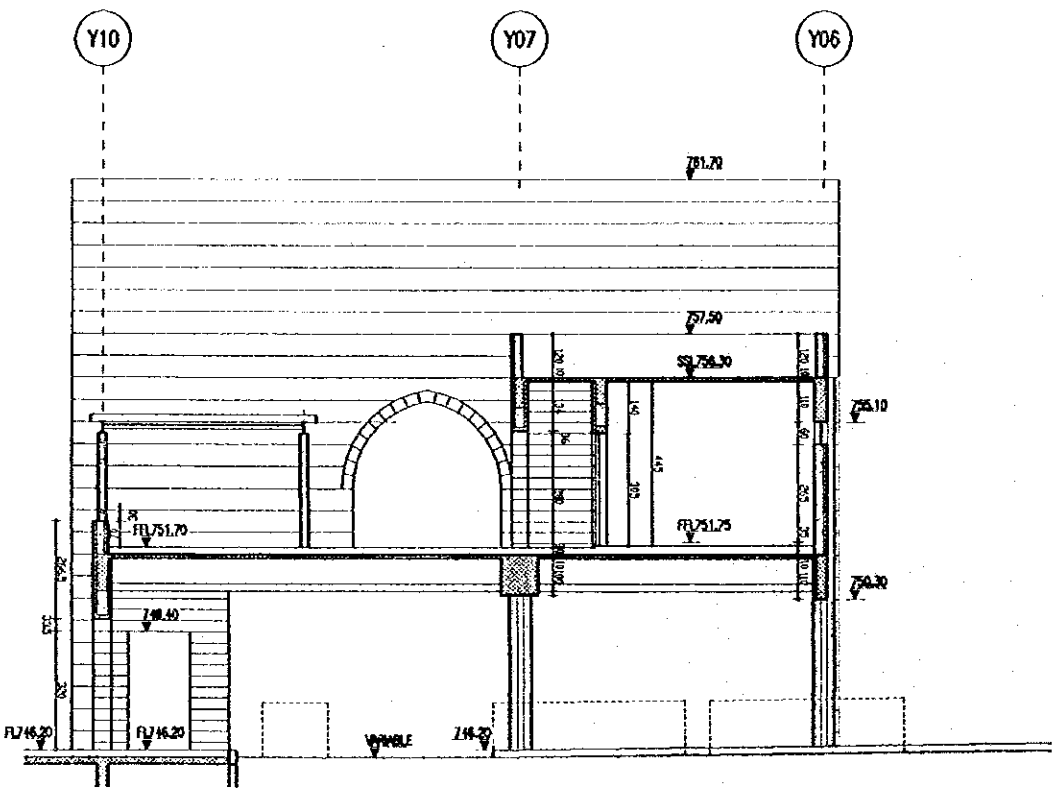
1/100

Drawing No.:

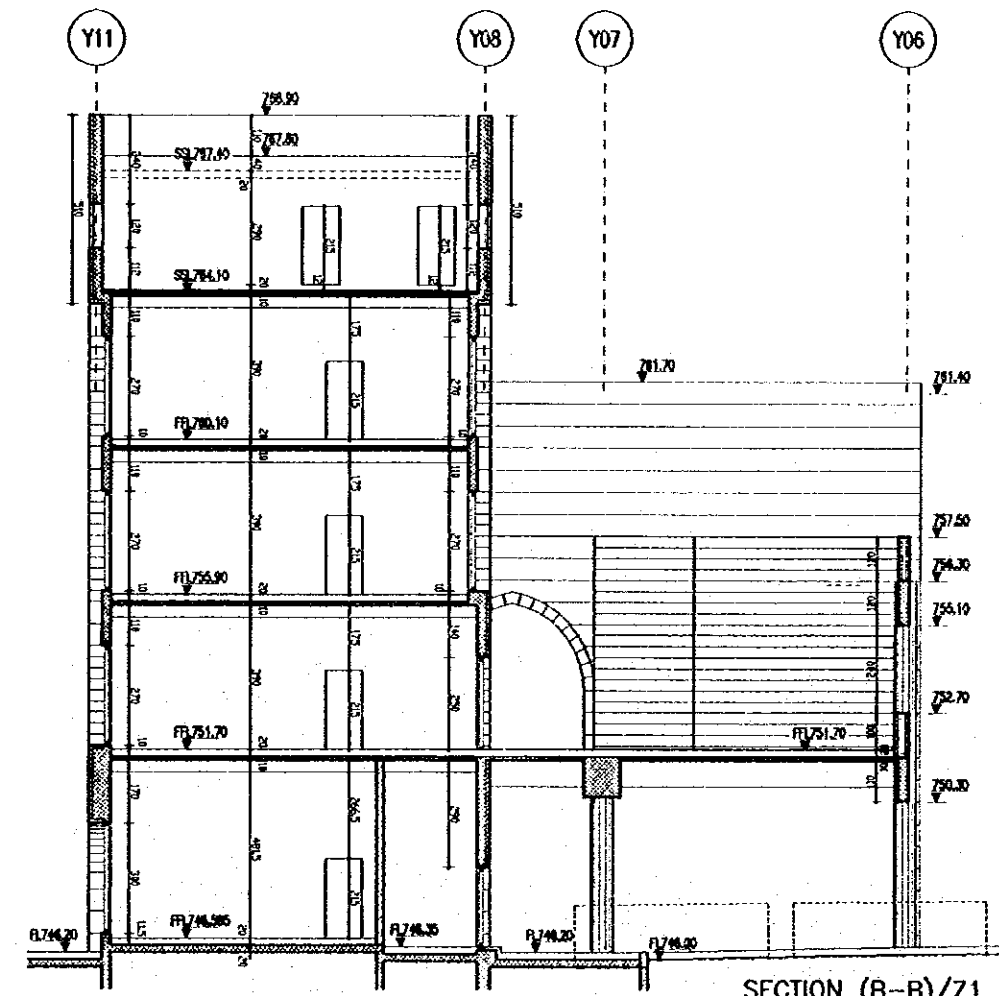
RBT. A408



SECTION (A-A)/Z1



SECTION (C-C)/Z1



SECTION (B-B)/Z1

Tourism Sec for Development Project  
in the Hashemite Kingdom of Jordan

The Government of  
the Hashemite Kingdom of Jordan  
The Ministry of Tourism and Antiquities  
The Ministry of Planning

Sub-Project:  
Amman Downtown  
Tourist Zone Development

Note:  
• This detailed design has been executed by a team of  
consultants as shown below in accordance with the agreement  
between Japan International Cooperation Agency (JICA) and  
JICA Study Team.  
• The copyright of this drawing rests with JICA.

Designed by:  
Japan International Cooperation Agency  
(JICA)

JICA Study Team:  
Joint Venture of  
Pacific Consultants International and  
Yamashita Sekkei Inc.

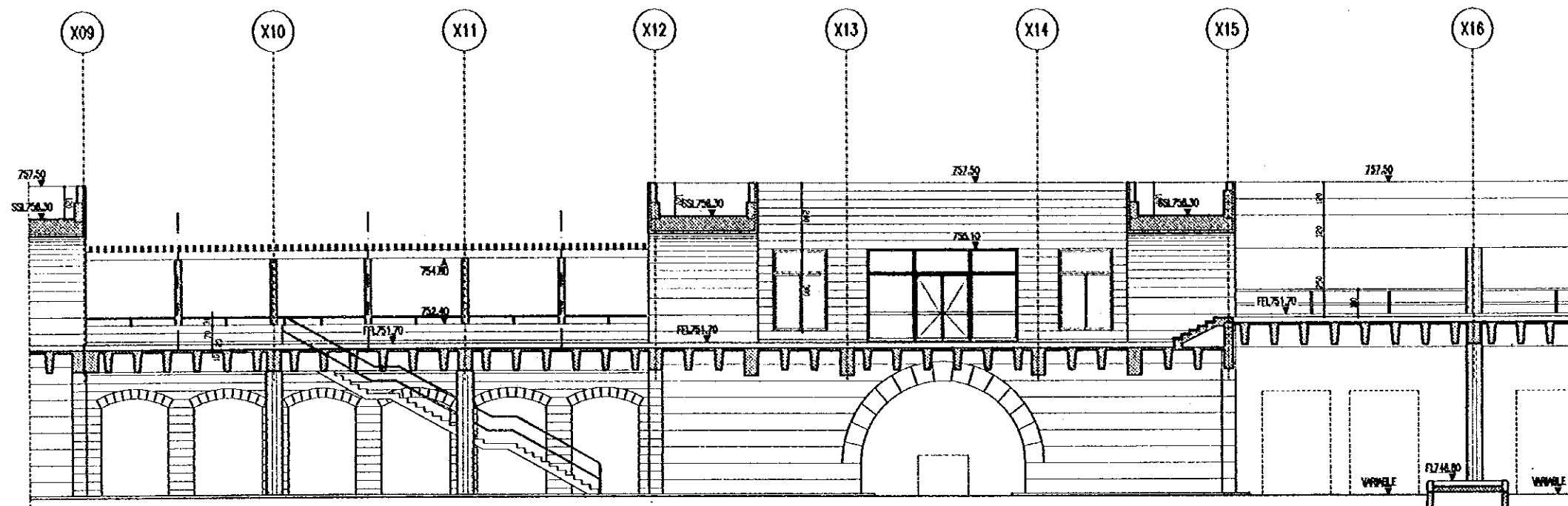
Subcontracted Local Consultant:  
WIAH Consultants  
Architects, Engineers

Raghadon Bus Terminal

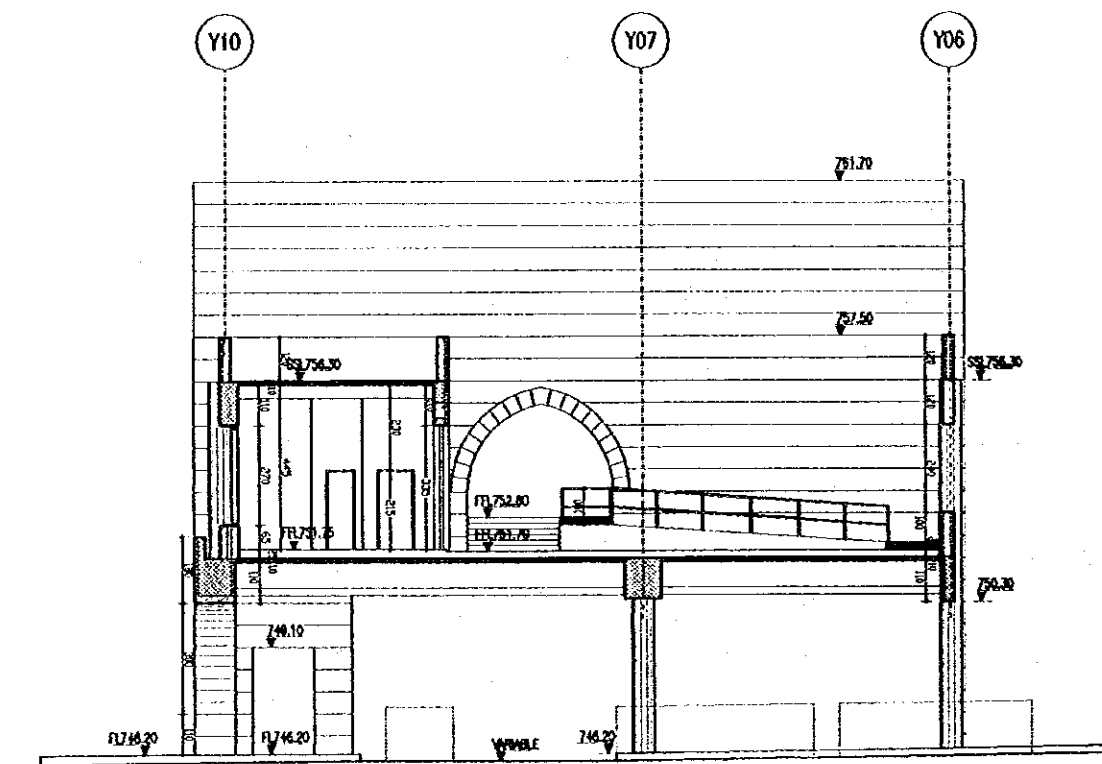
Drawing Title:  
**SECTIONS  
ZONE 1**

Scale: 1/100  
Drawing No.: RBT. A501

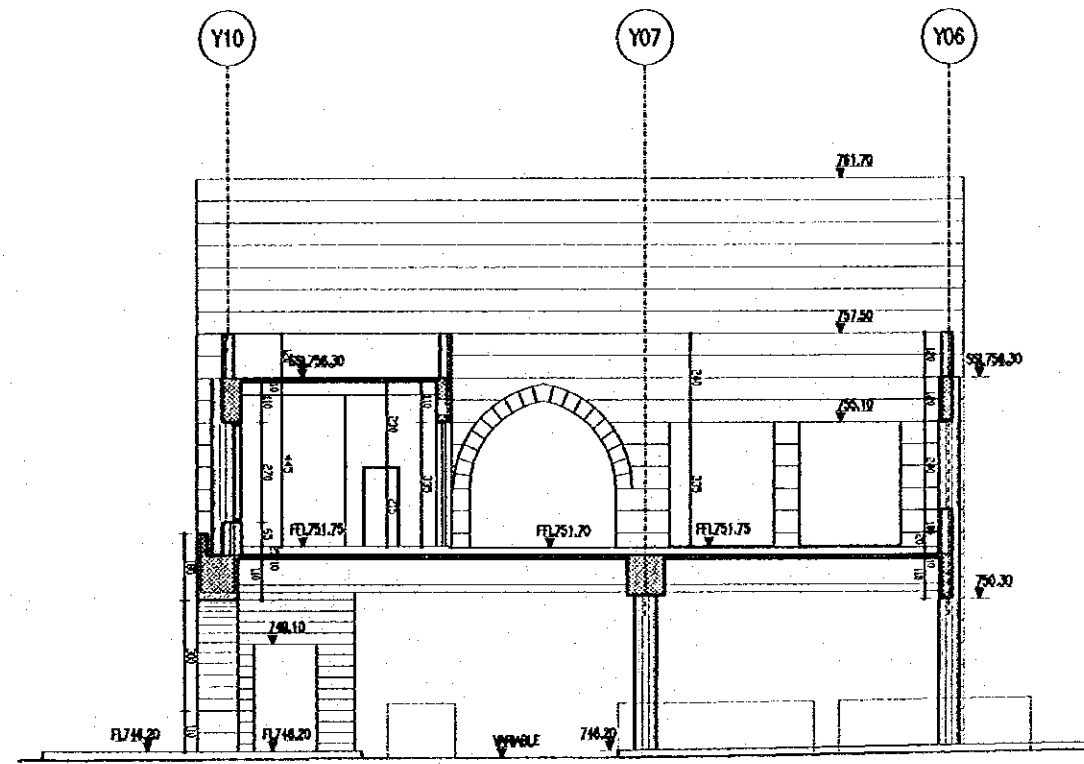
Note:  
• This detailed design has been executed by a team of  
consultants as shown below in accordance with the agreement  
between Japan International Cooperation Agency (JICA) and  
JICA Study Team.  
• The copyright of this drawing rests with JICA.



SECTION (A-A)/Z2



SECTION (E-E)/Z2



SECTION (D-D)/Z1

Designed by:

Japan International Cooperation Agency  
(JICA)

JICA Study Team:

Joint Venture of  
Pacific Consultants International and  
Yamato Sekrei Inc.

Subcontracted Local Consultant:

TIMAH Consultants  
Architects, Engineers



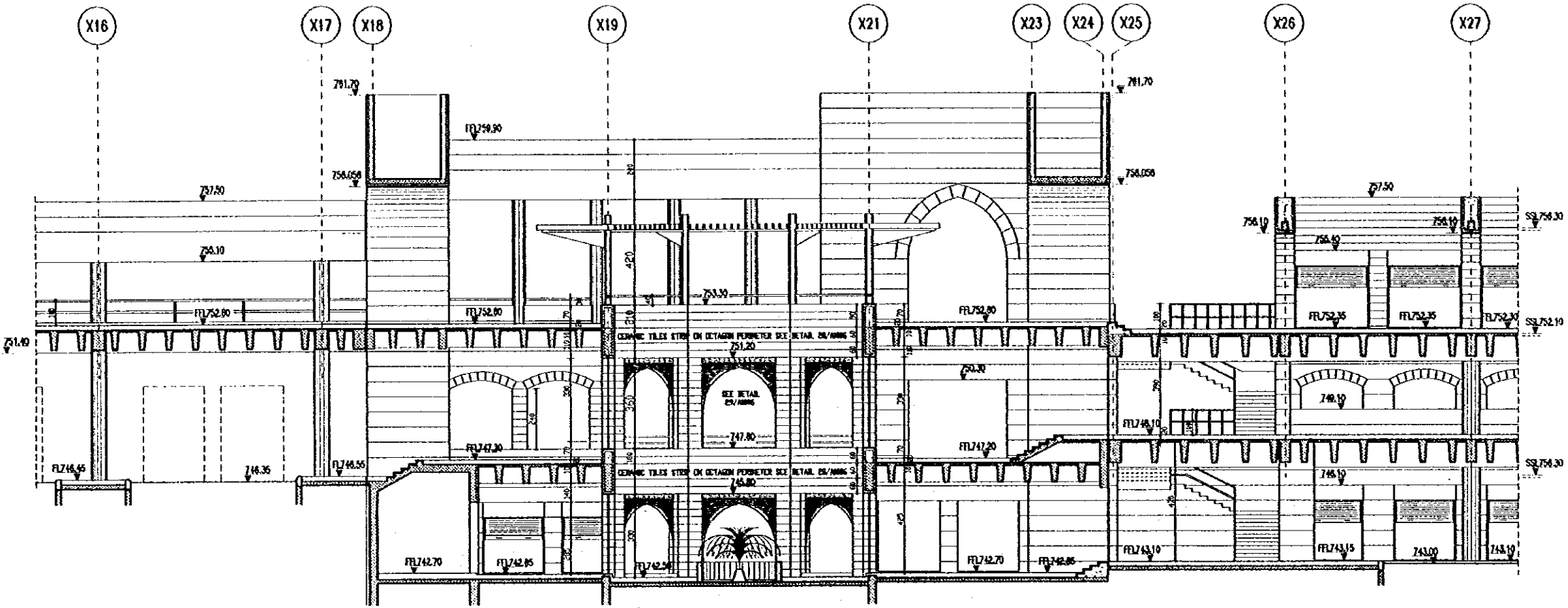
Raghadan Bus Terminal

Drawing Title:

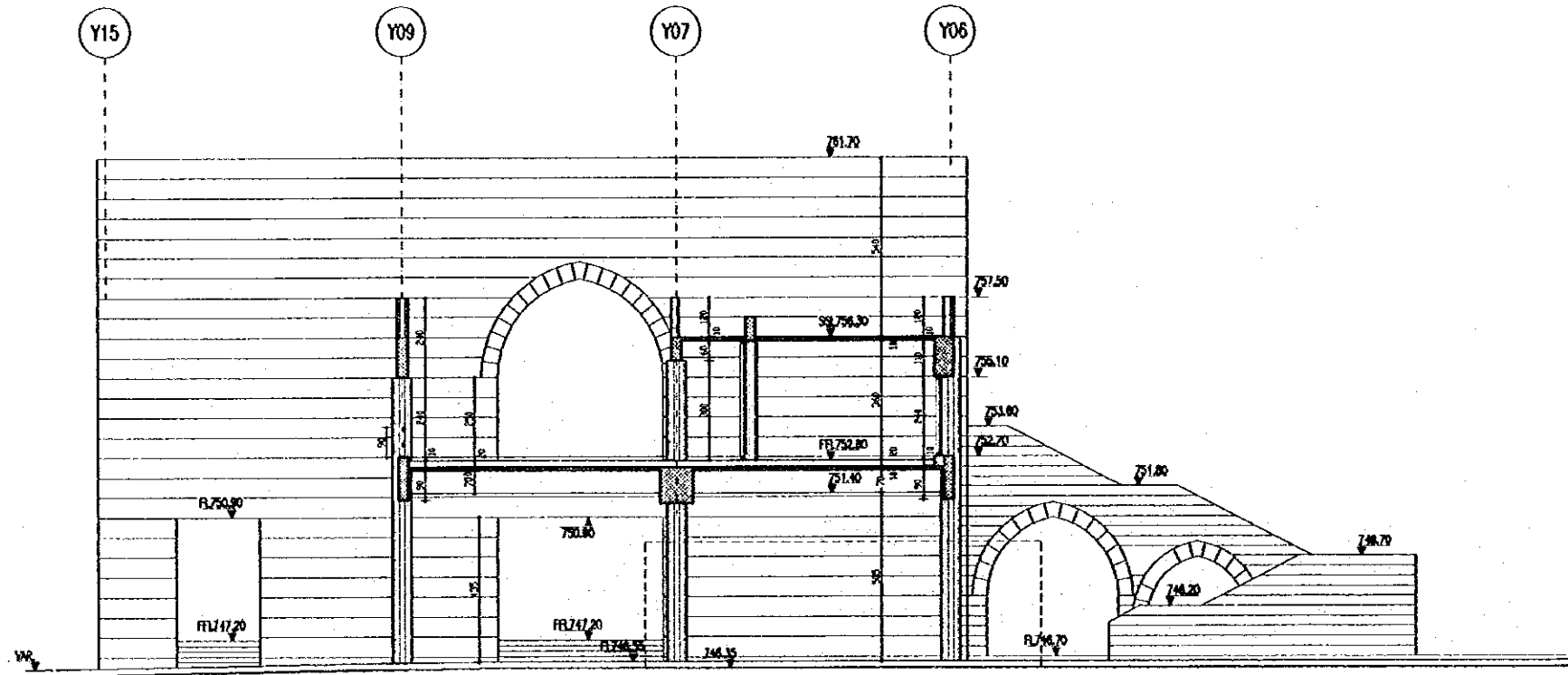
SECTIONS  
ZONE 1+2

Scale:  
1/100

Drawing No.:  
RBT. A502



SECTION (A-A)/Z3



SECTION (F-F)/Z2

Tourism Sector Development Project  
in the Hashemite Kingdom of Jordan

The Government of  
the Hashemite Kingdom of Jordan  
The Ministry of Tourism and Antiquities  
The Ministry of Planning

Sub-Project:  
Amman Downtown  
Tourist Zone Development

Note:  
 • This detailed design has been executed by a team of consultants as shown below in accordance with the agreement between Japan International Cooperation Agency (JICA) and JCA Study Team.  
 • The copyright of this drawing rests with JICA.

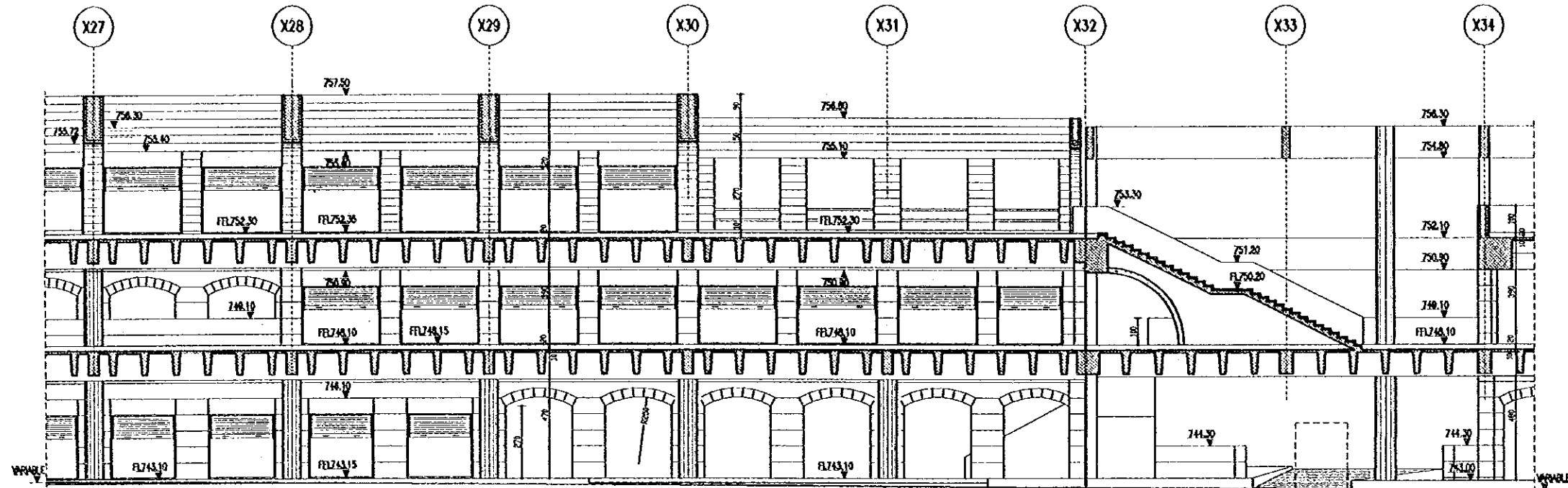
Designed by:  
 Japan International Cooperation Agency (JICA)  
 JICA Study Team:  
 Joint Venture of  
 Pacific Consultants International and  
 Yamazaki Seki & Inc.  
 Subcontracted Local Consultant:  
 BMAH Consultants  
 Architects, Engineers  


Raghadan Bus Terminal

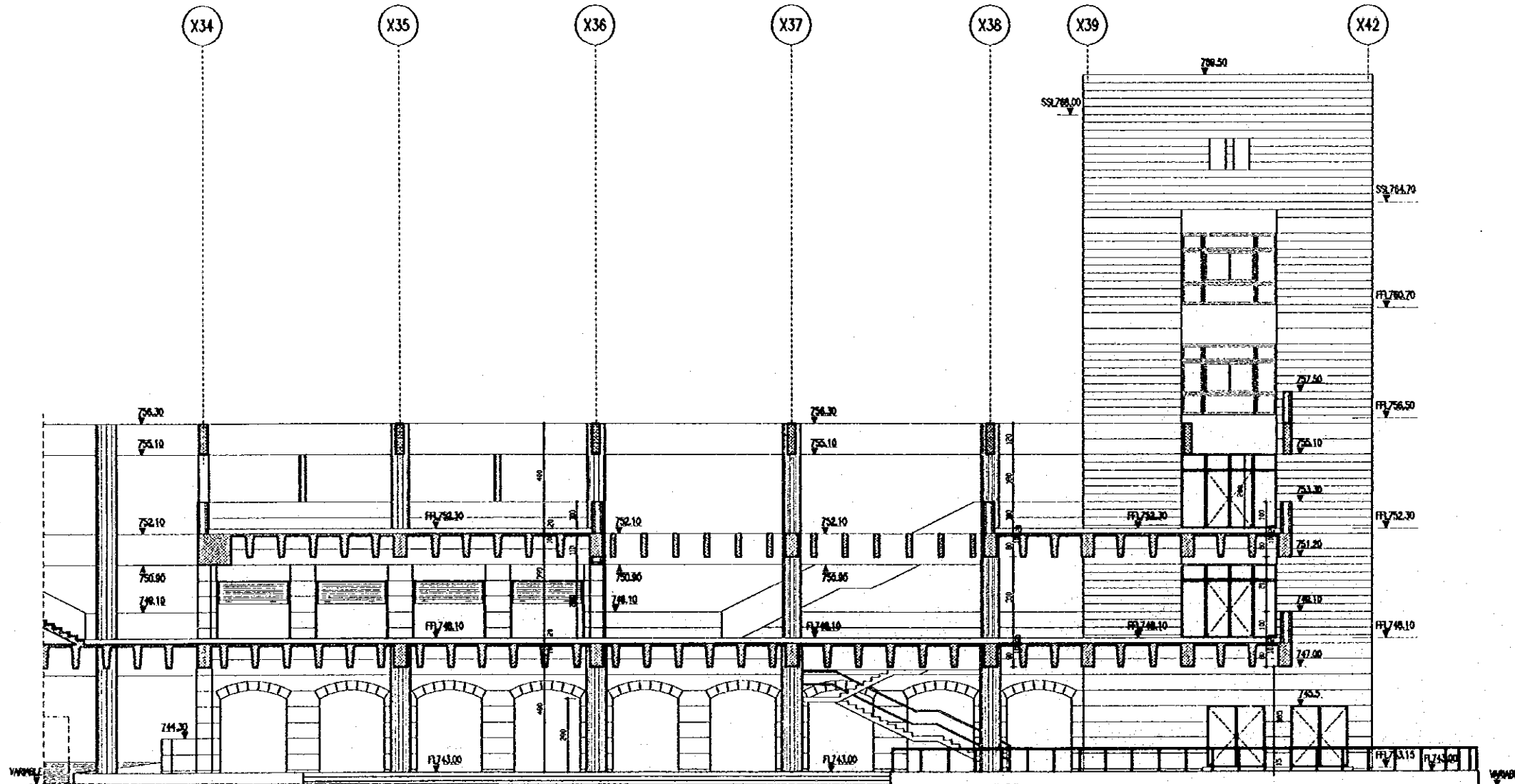
Drawing Title:  
 SECTIONS  
 ZONE 2+3

Scale: 1/100 Drawing No.: RBT. A503





SECTION (A-A)/Z4



SECTION (A-A)/Z5

Tourism Sector Development Project  
in the Hashemite Kingdom of Jordan

The Government of  
the Hashemite Kingdom of Jordan  
The Ministry of Tourism and Antiquities  
The Ministry of Planning

Sub Project:  
Amman Downtown  
Tourist Zone Development

Note:  
• This detailed design has been executed by a team of consultants as shown below in accordance with the agreement between Japan International Cooperation Agency (JICA) and JICA Study Team.  
• The copyright of this drawing rests with JICA.

Designed by:  
Japan International Cooperation Agency  
(JICA)  
JICA Study Team:  
Joint Venture of  
Pacific Consultants International and  
Yanaseita Seikei Inc.  
Subcontracted Local Consultant:  
TMAH Consultants  
Architects, Engineers

Raghadan Bus Terminal

Drawing Title:  
**SECTIONS  
ZONE 4**

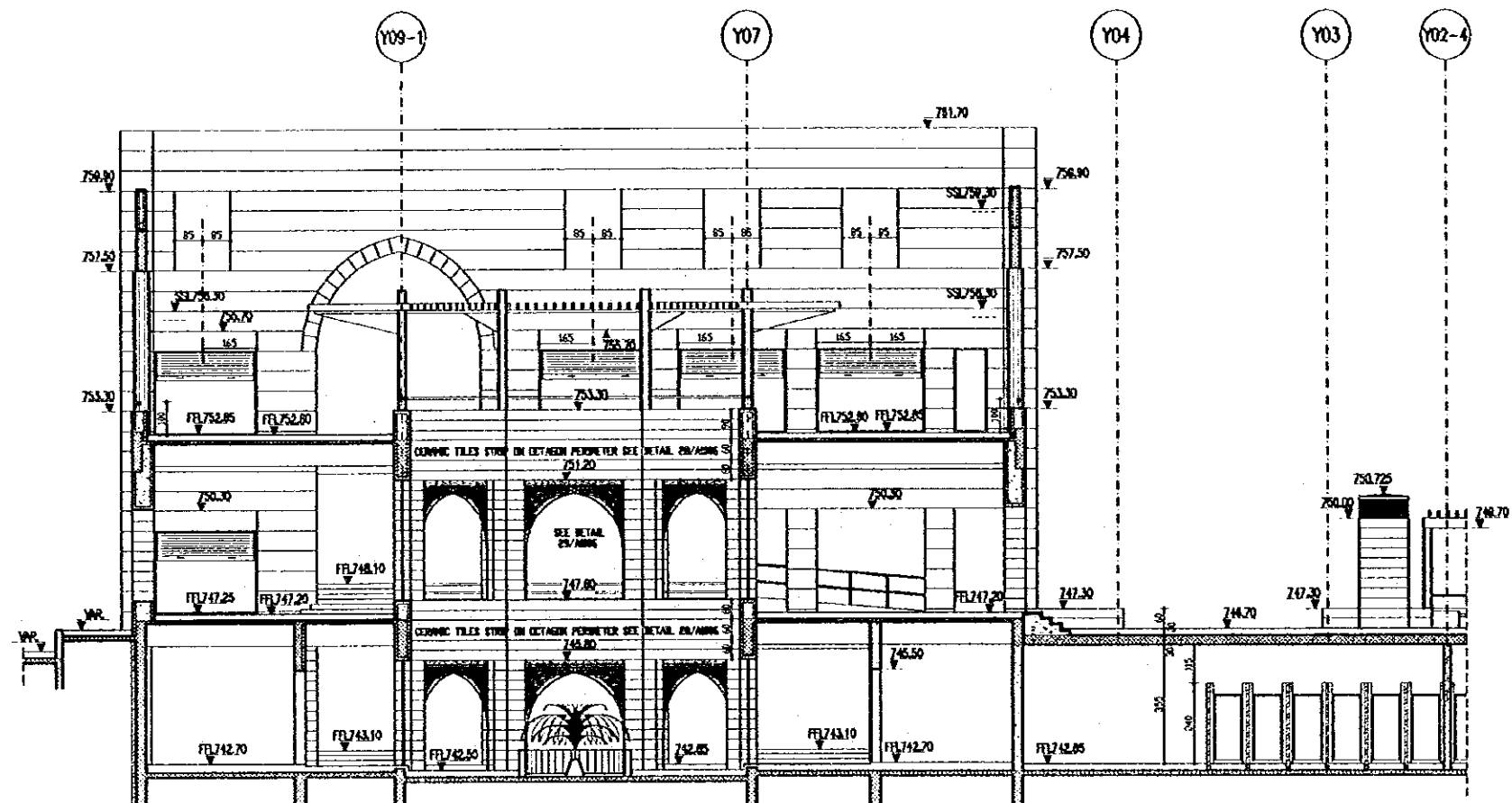
Scale:  
1/100  
Drawing No.:  
RBT. A504

Tourism Sector Development Project  
in the Hashemite Kingdom of Jordan

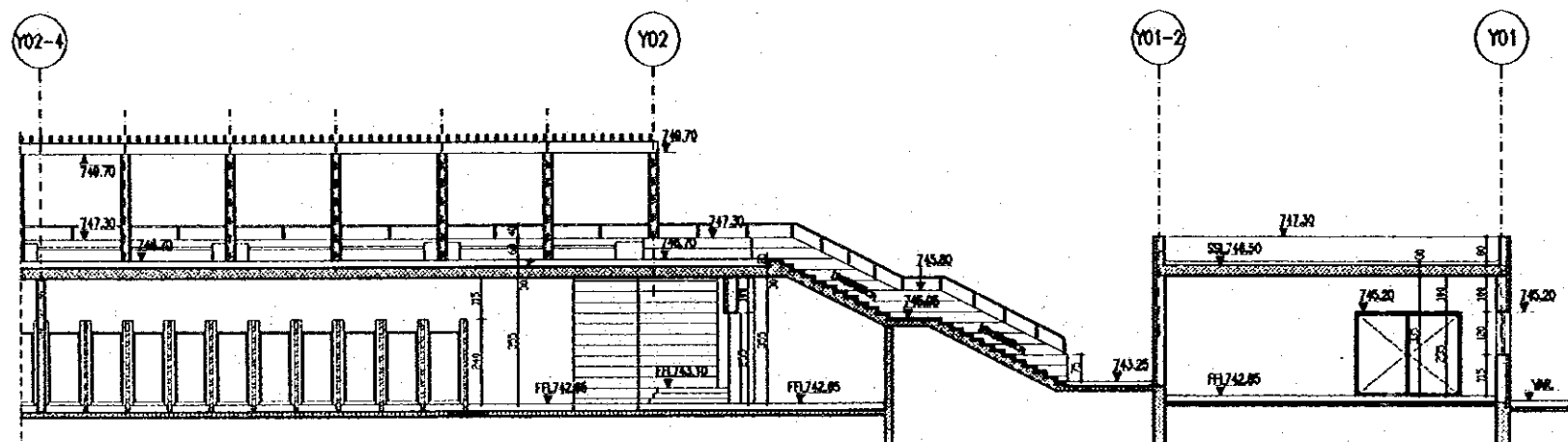
The Government of  
the Hashemite Kingdom of Jordan  
The Ministry of Tourism and Antiquities  
The Ministry of Planning

Sub-Project:  
Amman Downtown  
Tourist Zone Development

Note:  
• This detailed design has been executed by a team of  
consultants as shown below in accordance with the agreement  
between Japan International Cooperation Agency (JICA) and  
JICA Study Team.  
• The copyright of this drawing rests with JICA.



SECTION (G-G)/Z3



SECTION (J-J)/Z6

Designed by:  
Japan International Cooperation Agency  
(JICA)

JICA Study Team:  
Joint Venture of  
Pacific Consultants International and  
Yamashita Sekkei Inc.

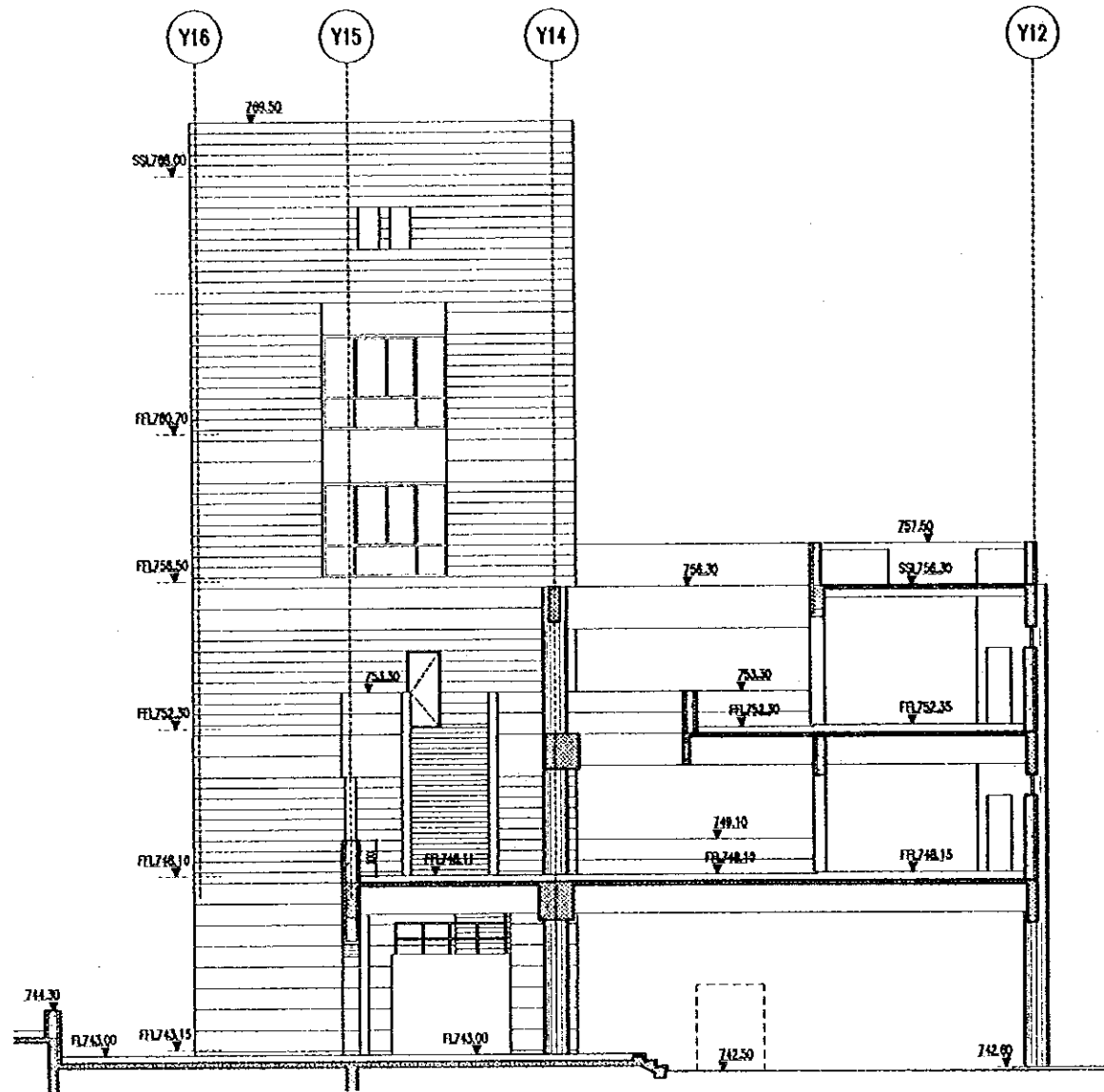
Subcontracted Local Consultant:

TIBAH Consultants  
Architects, Engineers  

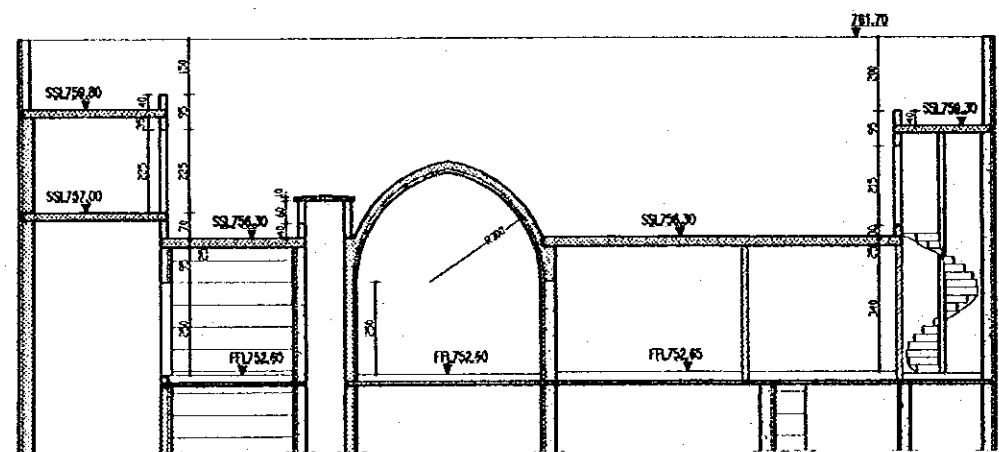

Raghadan Bus Terminal

Drawing Title:  
SECTIONS  
ZONE 3+6

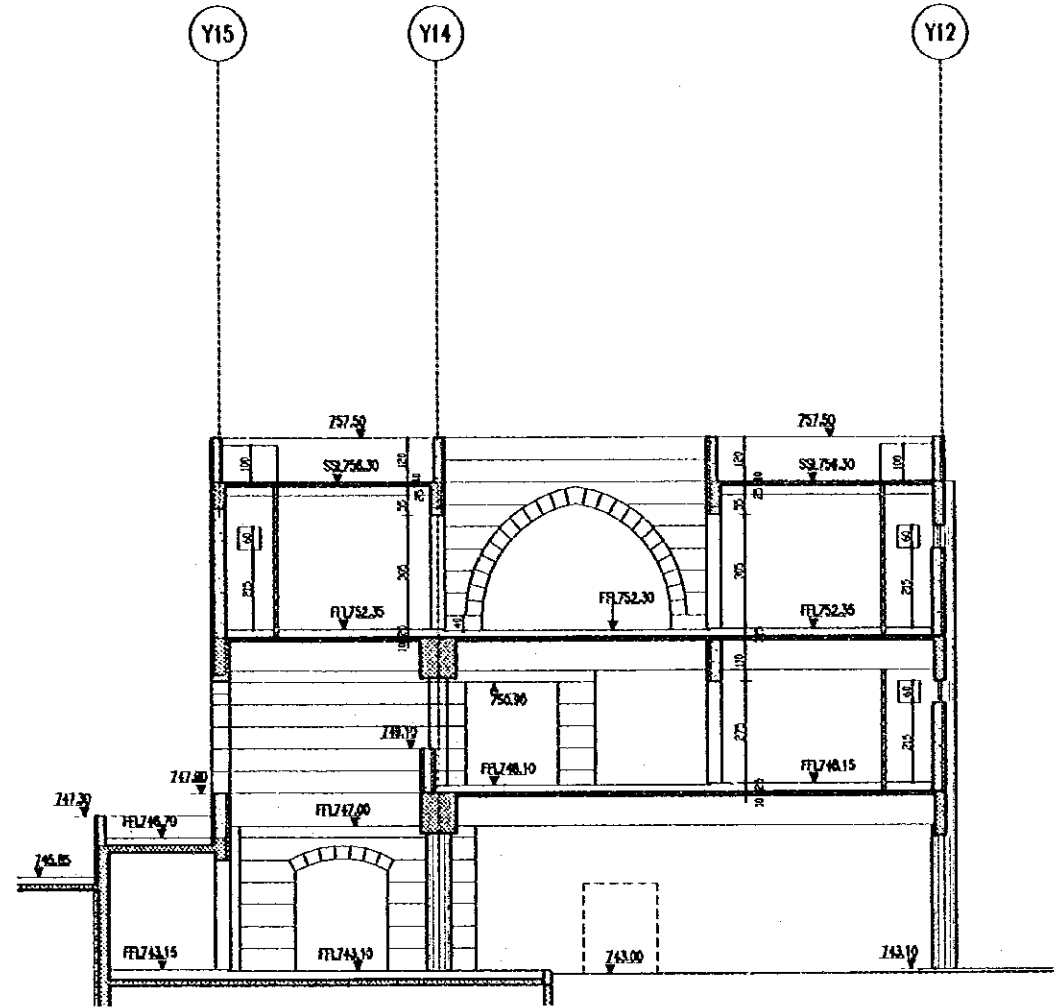
Scale:  
1/100  
Drawing No.:  
RBT. A505



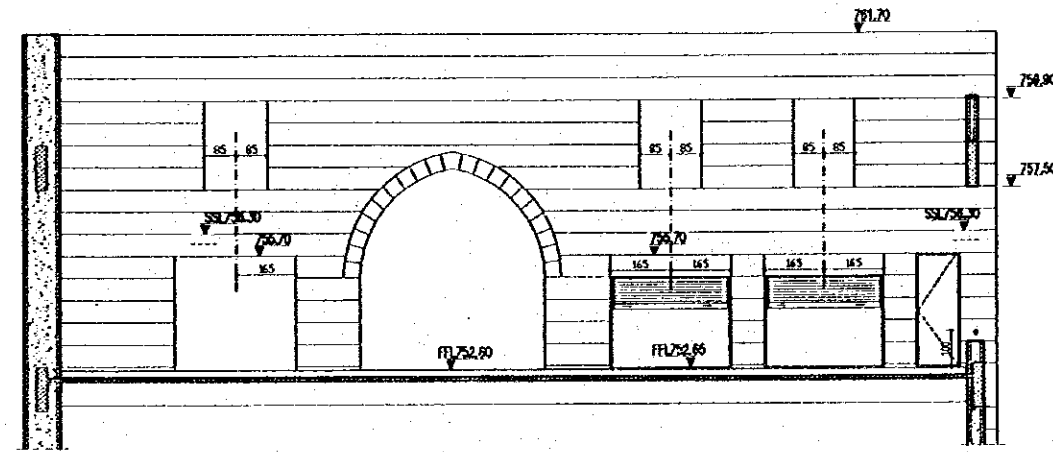
SECTION (K-K)/Z5



SECTION (M-M)/Z3  
ONLY IN SECOND FLOOR



SECTION (H-H)/Z4



SECTION (L-L)/Z3  
ONLY IN SECOND FLOOR

Designed by:  
Japan International Cooperation Agency  
(JICA)

JICA Study Team:  
Joint Venture of  
Pacific Consultants International and  
Yamashita Sekitai Inc.

Subcontracted Local Consultant:  
TIBAH Consultants  
Architects, Engineers  


Raghadan Bus Terminal

Drawing Title:  
**SECTIONS  
ZONE 4+5**

Scale:  
1/100 Drawing No.:  
RBT. A506

Designed by:  
Japan International Cooperation Agency  
(JICA)

JICA Study Team:  
Joint Venture of  
Pacific Consultants International and  
Yamato Seimei Inc.

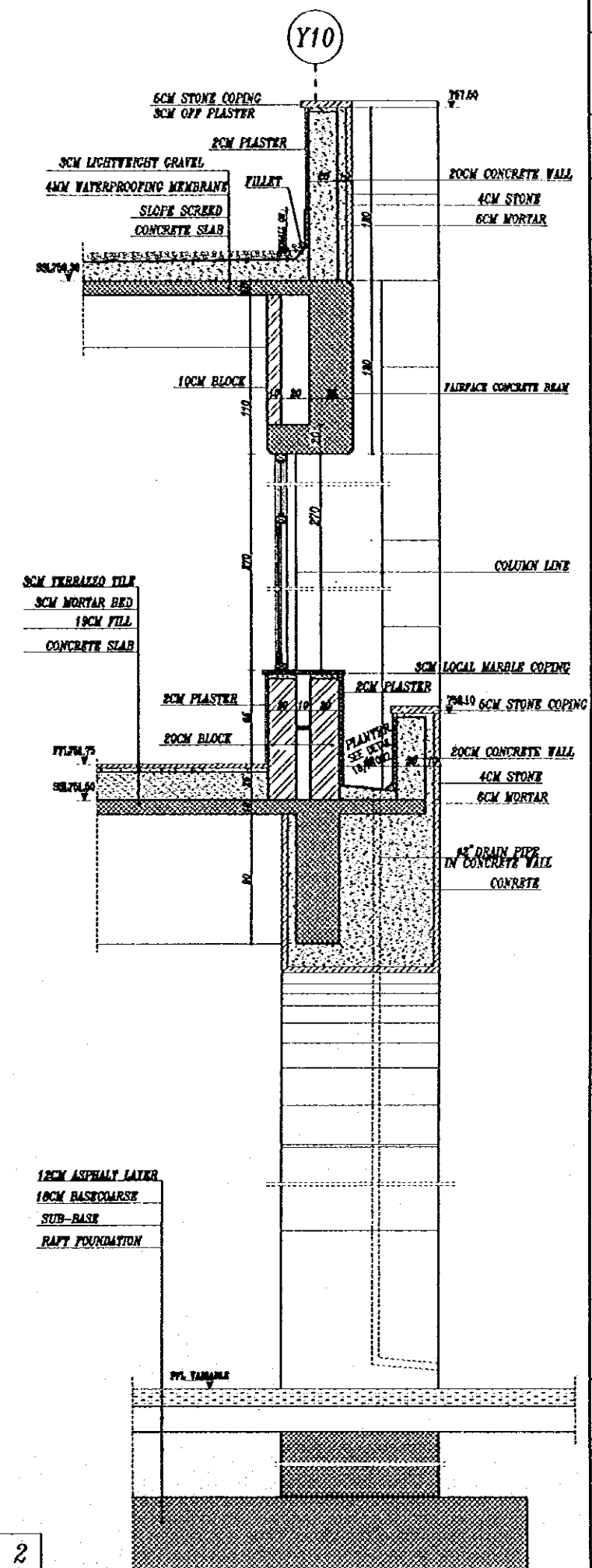
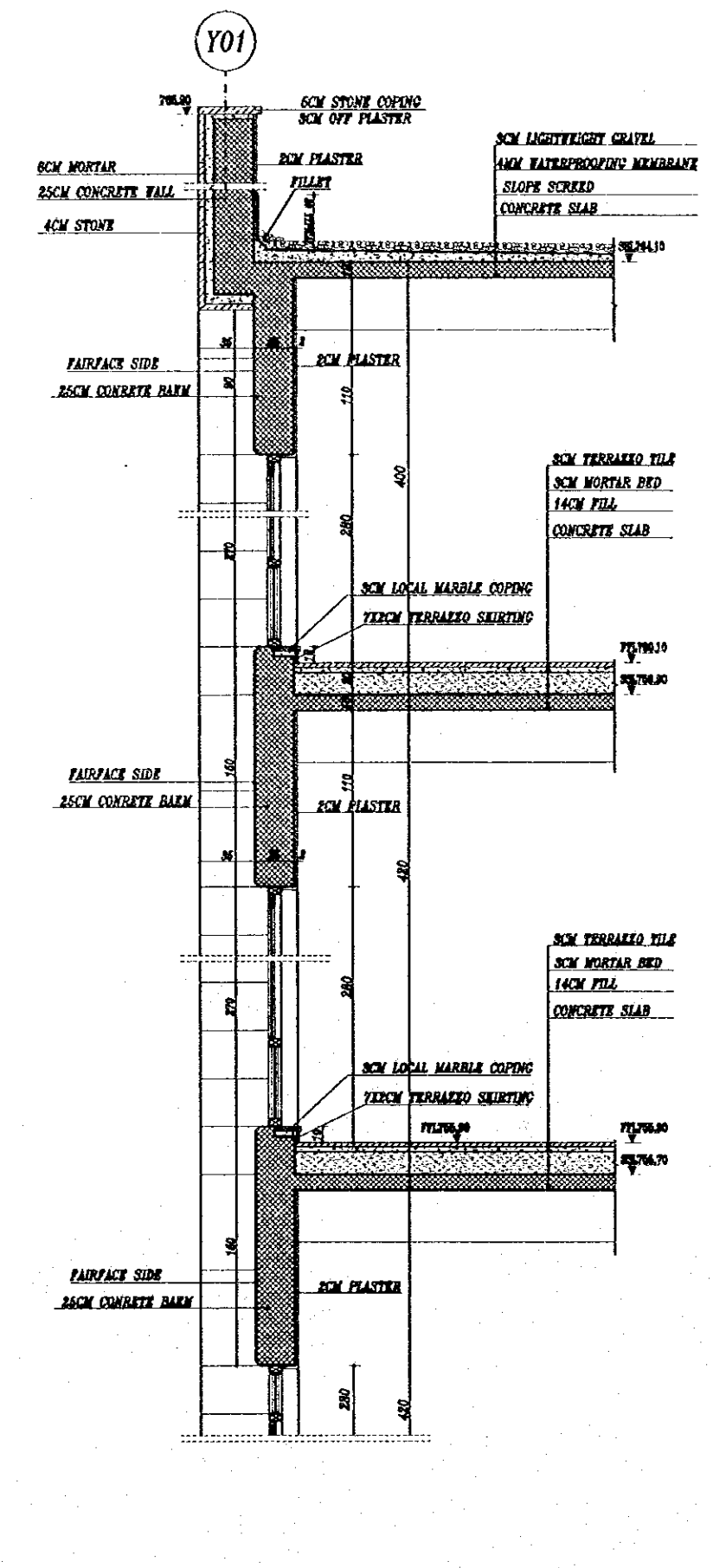
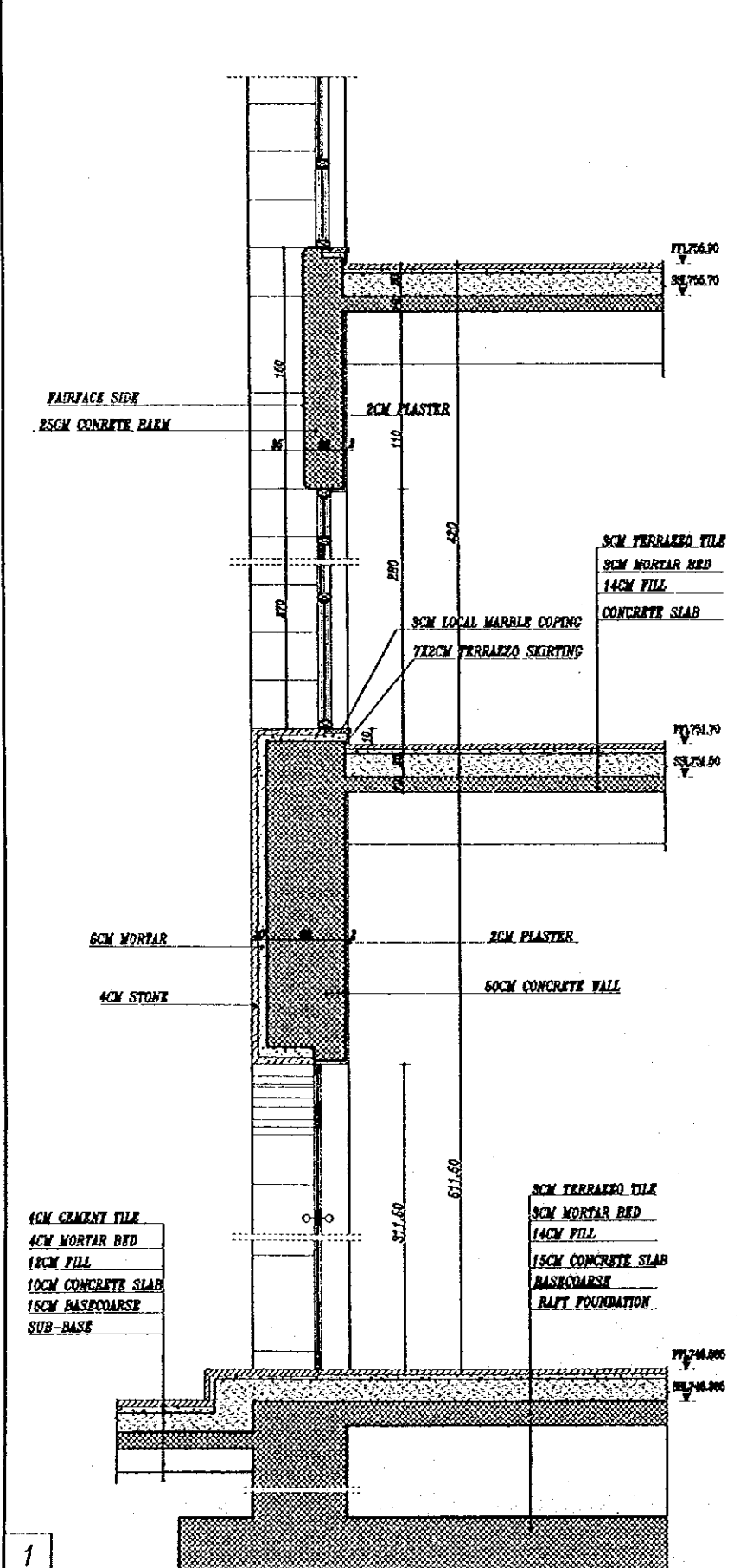
Subcontracted Local Consultant:  
TMAH Consultants  
Architects, Engineers

Raghodan Bus Terminal

Drawing Title:  
**WALL SECTIONS**

Scale:  
1/20

Drawing No.:  
RBT.A-601

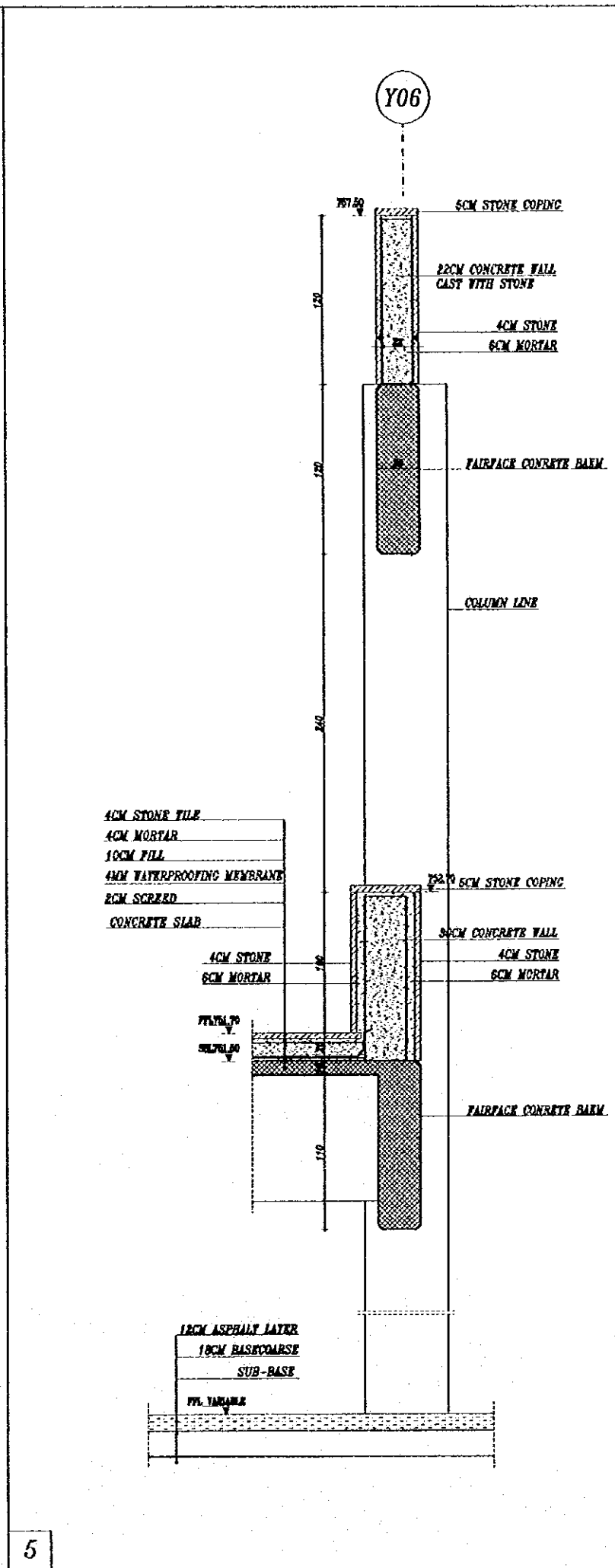
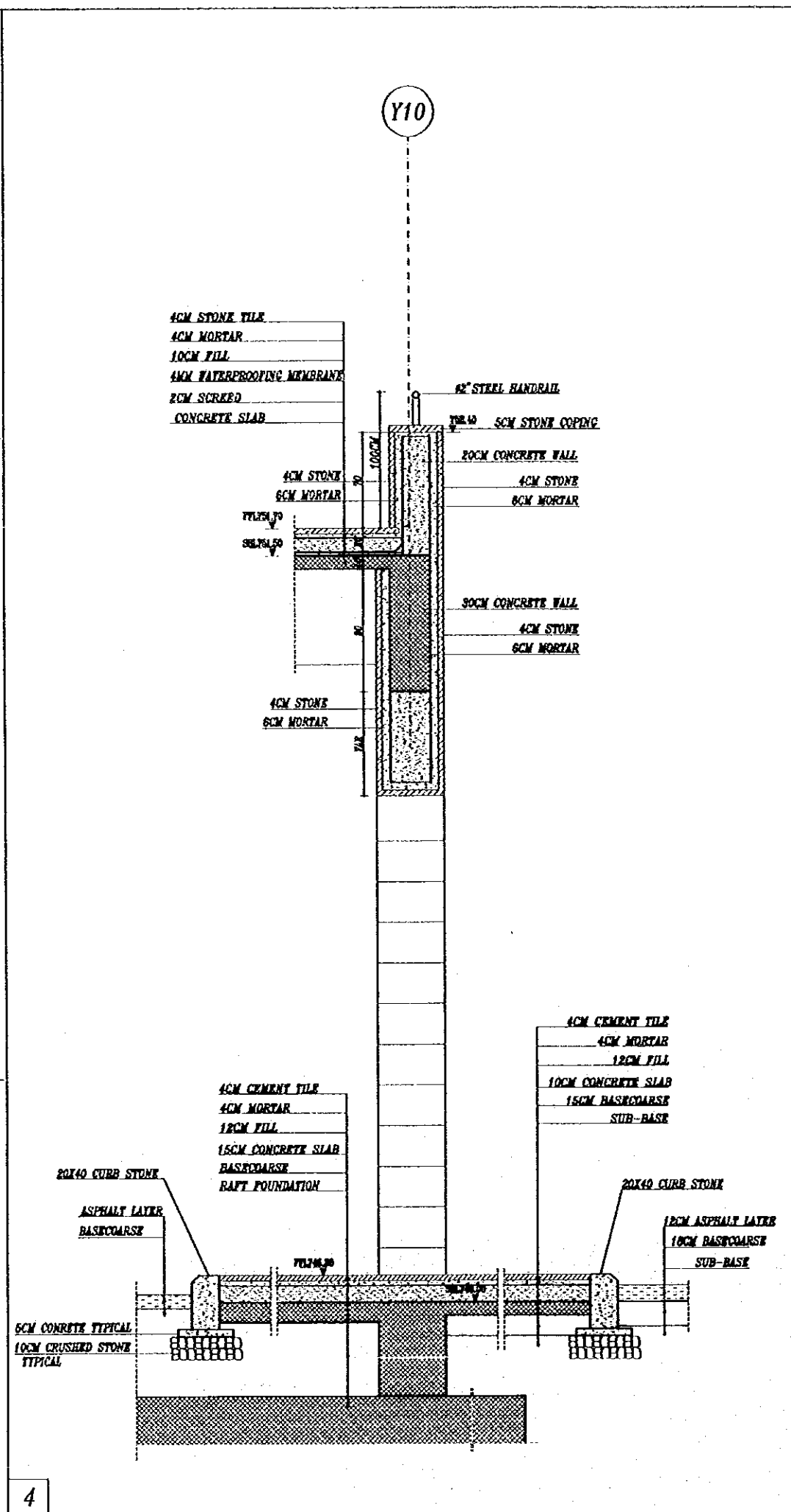
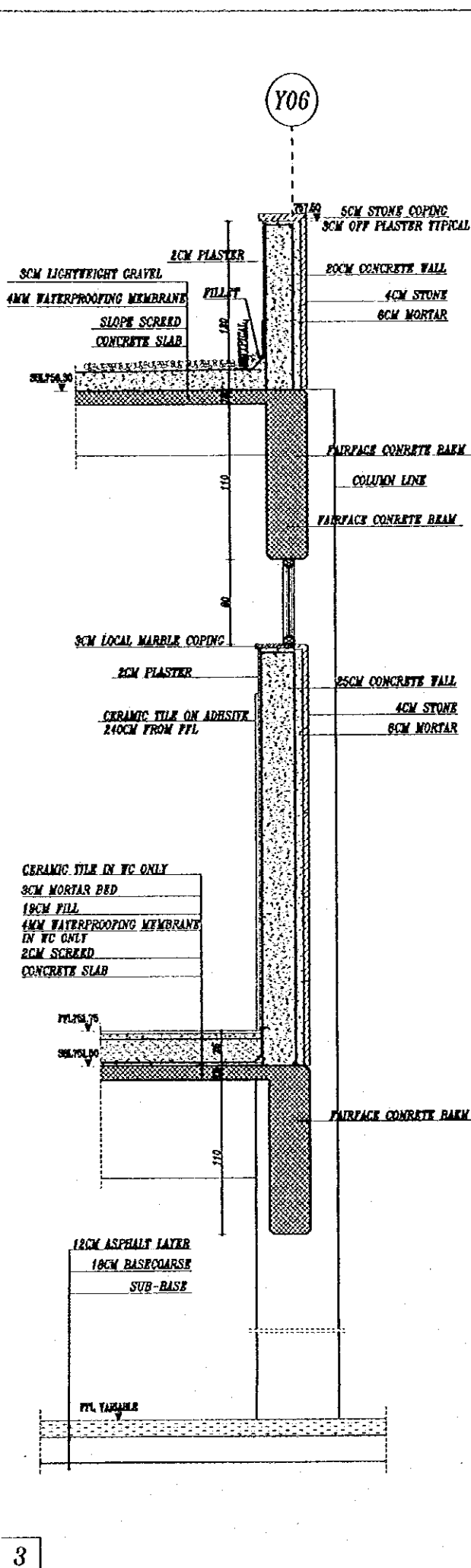


33

1

2

Note:  
• This detailed design has been developed by a team of  
consultants as shown below in accordance with the agreement  
between Japan International Cooperation Agency (JICA) and  
JICA Study Team.  
• The copyright of this drawing rests with JICA.



Designed by:  
Japan International Cooperation Agency  
(JICA)

JICA Study Team:  
Joint Venture of  
Pacific Consultants International and  
Yamashita Seidai Inc.

Subcontracted Local Consultant:

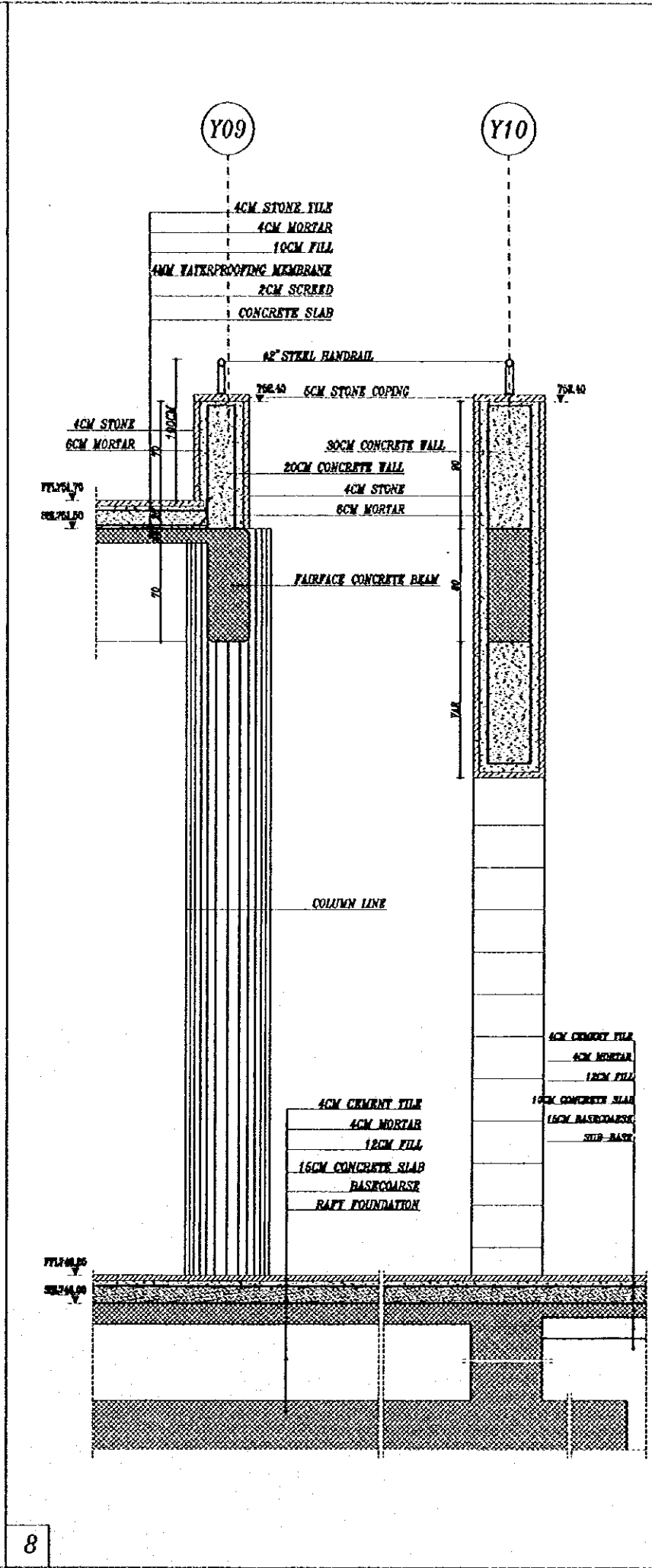
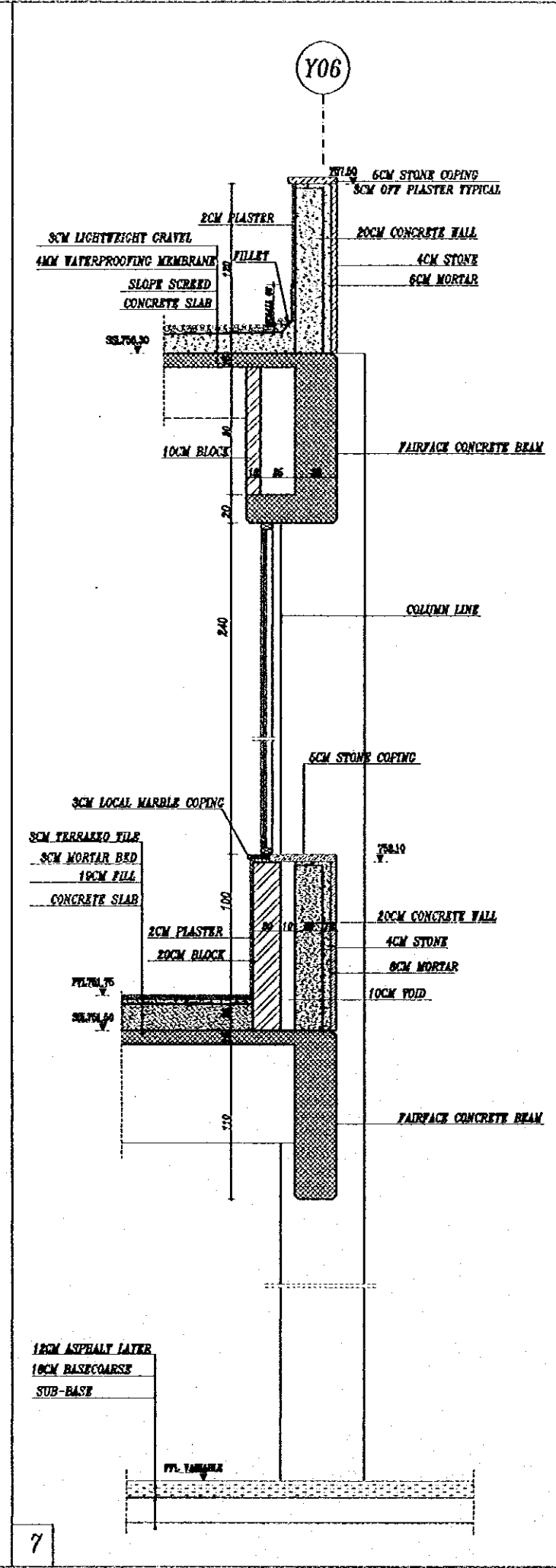
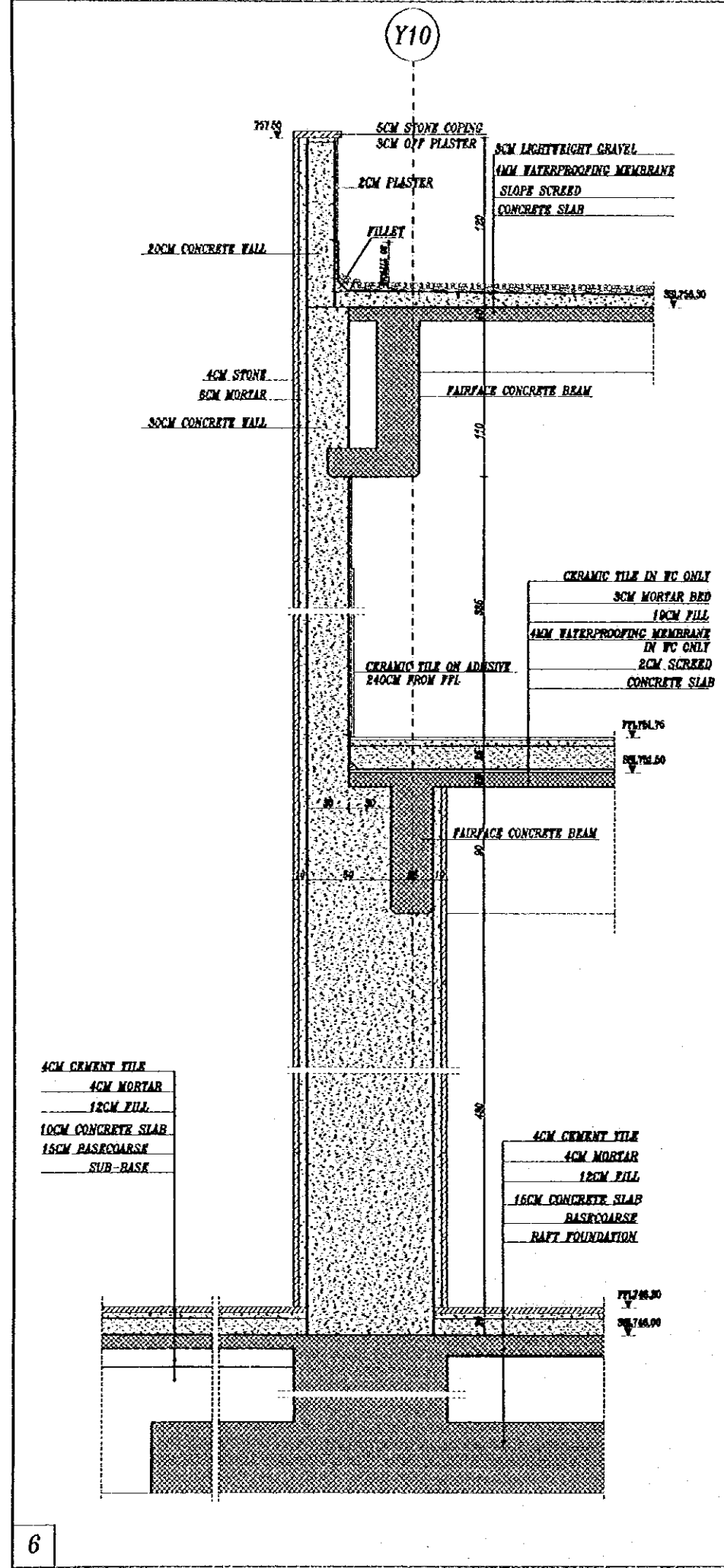
TBAH Consultants  
Architects, Engineers

Raghadan Bus Terminal

Drawing Title:  
**WALL SECTIONS**

Scale: 1/20 Drawing No: RBT.A-602

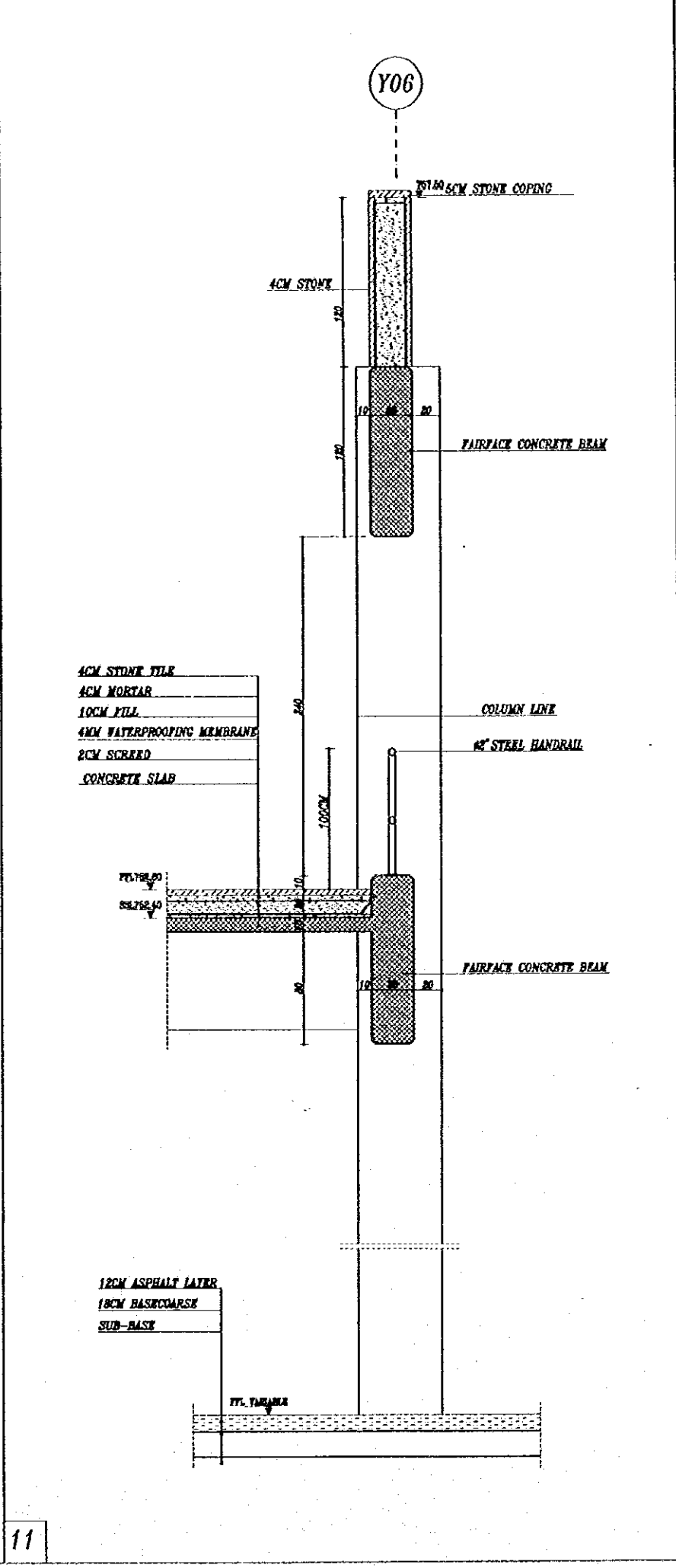
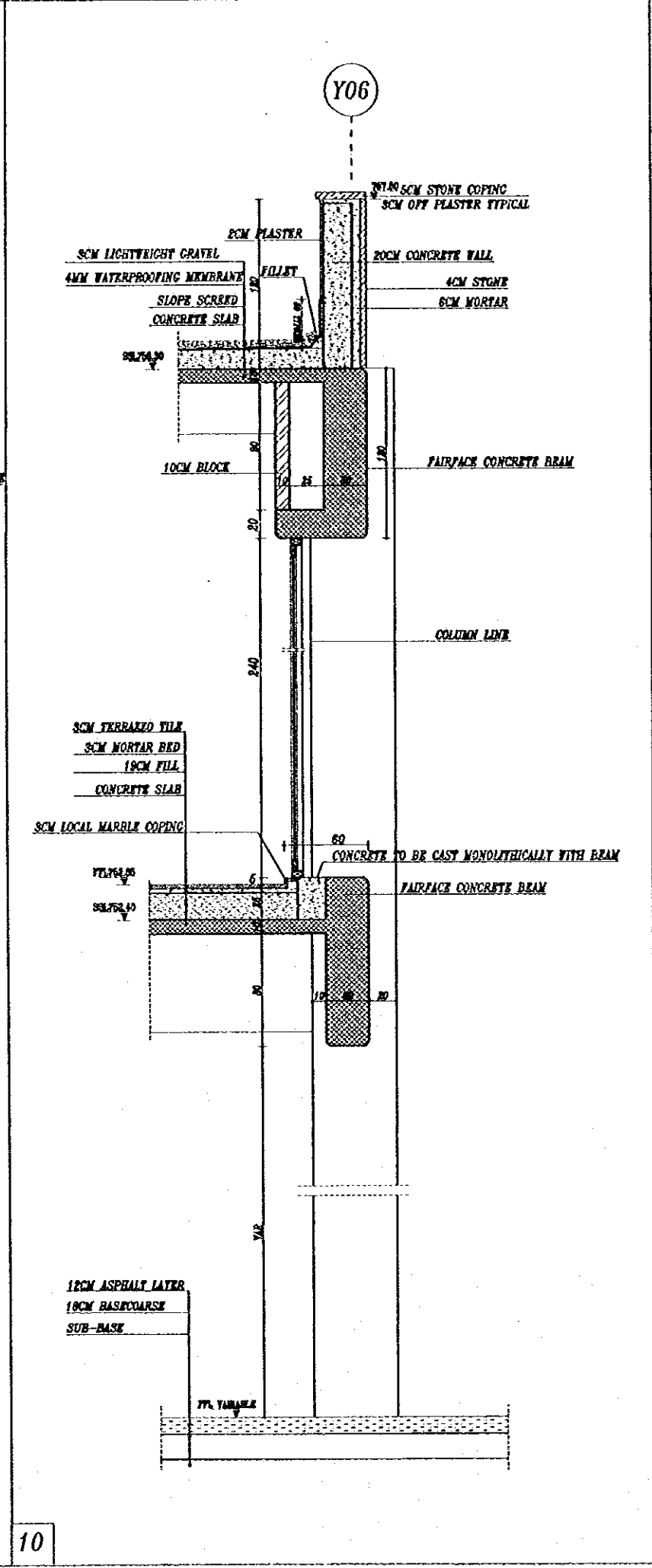
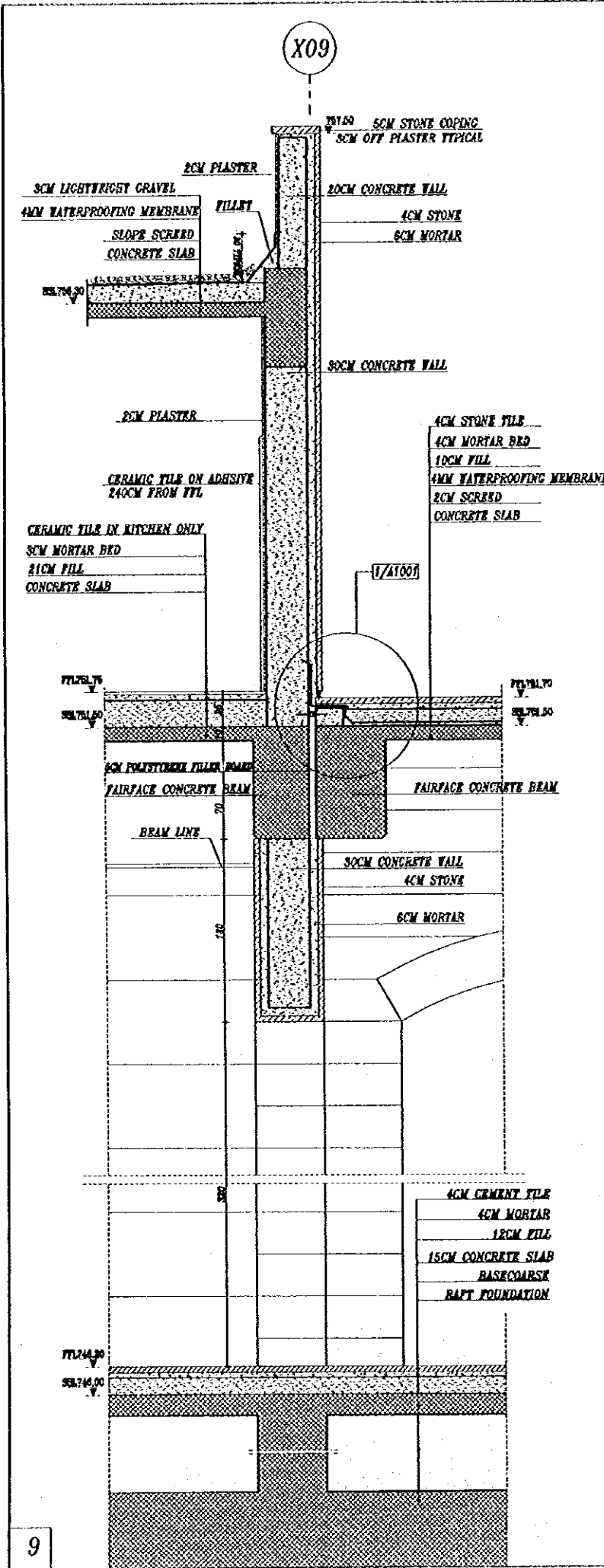
Note:  
• This detailed design has been executed by a team of  
consultants as shown below in accordance with the agreement  
between Japan International Cooperation Agency (JICA) and  
JICA Study Team.  
• The copyright of this drawing rests with JICA.



Designed by:  
Japan International Cooperation Agency  
(JICA)  
JICA Study Team:  
Joint Venture of  
Pacific Consultants International and  
Yamato Sekkei Inc.  
Subcontracted Local Consultant:  
TIBAH Consultants  
Architects Engineers

Raghadon Bus Terminal  
Drawing Title:  
**WALL SECTIONS**

Scale: 1/20 Drawing No: RBT.A-603



Tourism Sector Development Project  
in the Hashemite Kingdom of Jordan

The Government of  
the Hashemite Kingdom of Jordan  
The Ministry of Tourism and Antiquities  
The Ministry of Planning

Sub-Project:  
Amman Downtown  
Tourist Zone Development

Note:  
• This detailed design has been executed by a team of  
consultants as shown below in accordance with the agreement  
between Japan International Cooperation Agency (JICA) and  
JICA Study Team.  
• The copyright of this drawing rests with JICA.

Designed by:  
Japan International Cooperation Agency  
(JICA)

JICA Study Team:  
Joint Venture of  
Pacific Consultants International and  
Yamata Selt of Inc.

Subcontracted Local Consultant:  
TBAH Consultants  
Architects, Engineers

Raghadan Bus Terminal

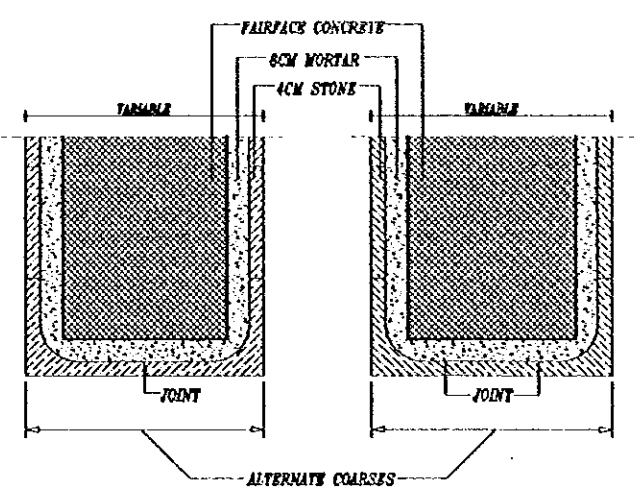
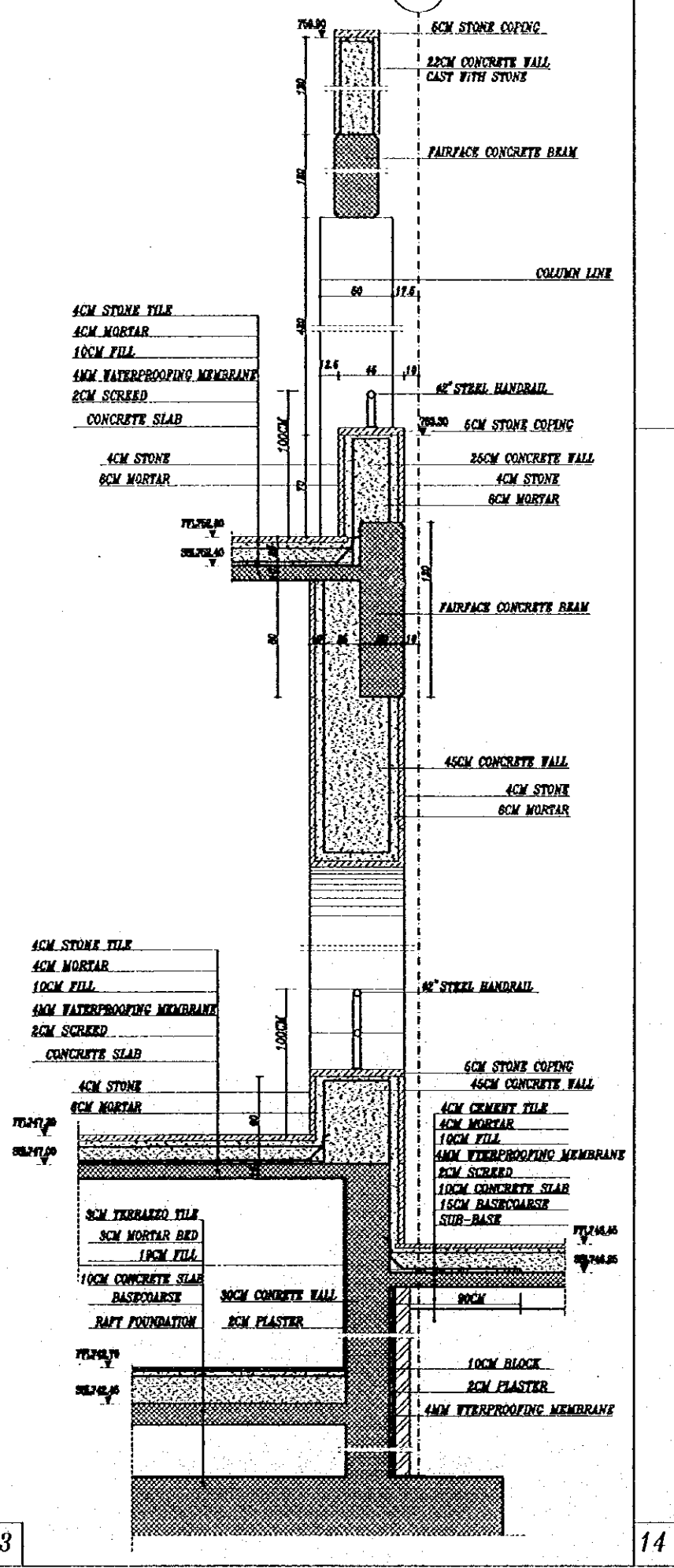
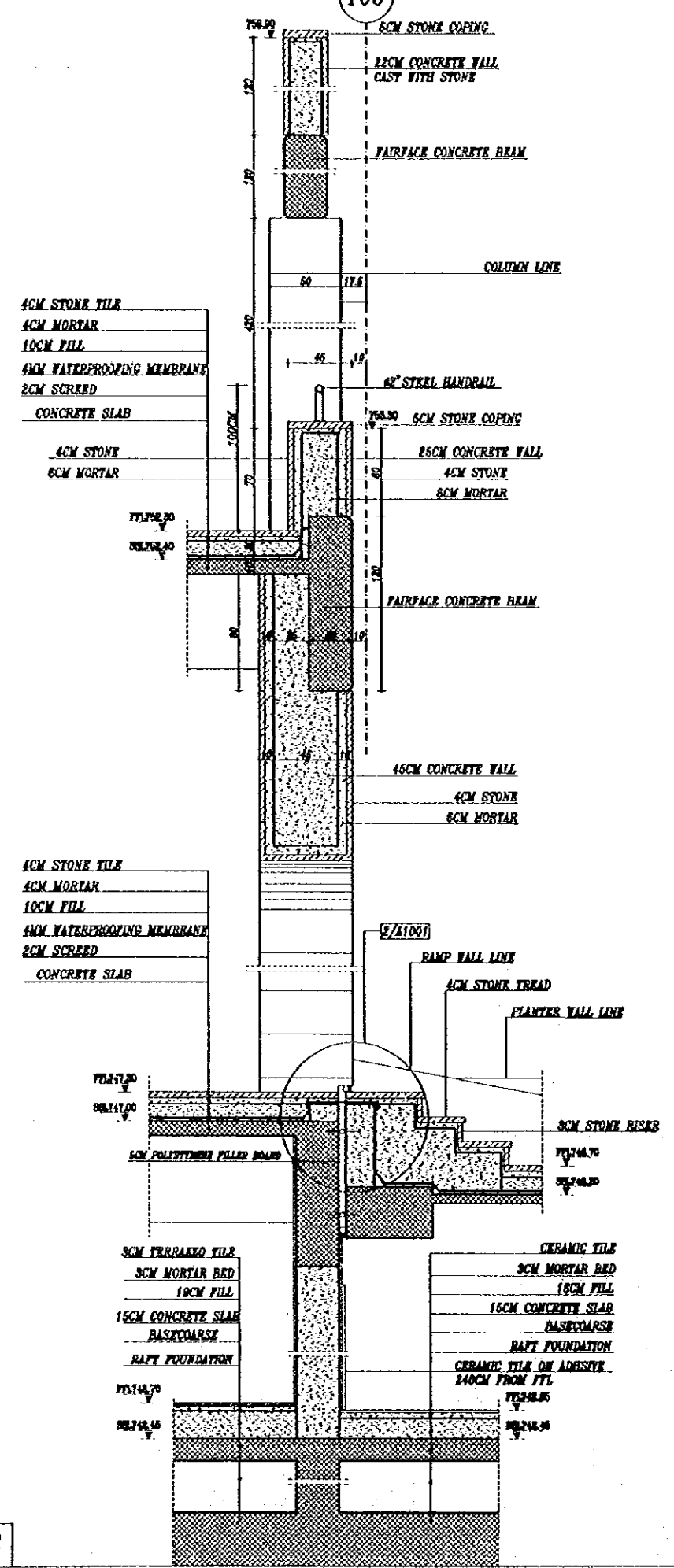
Drawing Title:  
**WALL SECTIONS**

Scale: 1/20 Drawing No: RBT.A-604

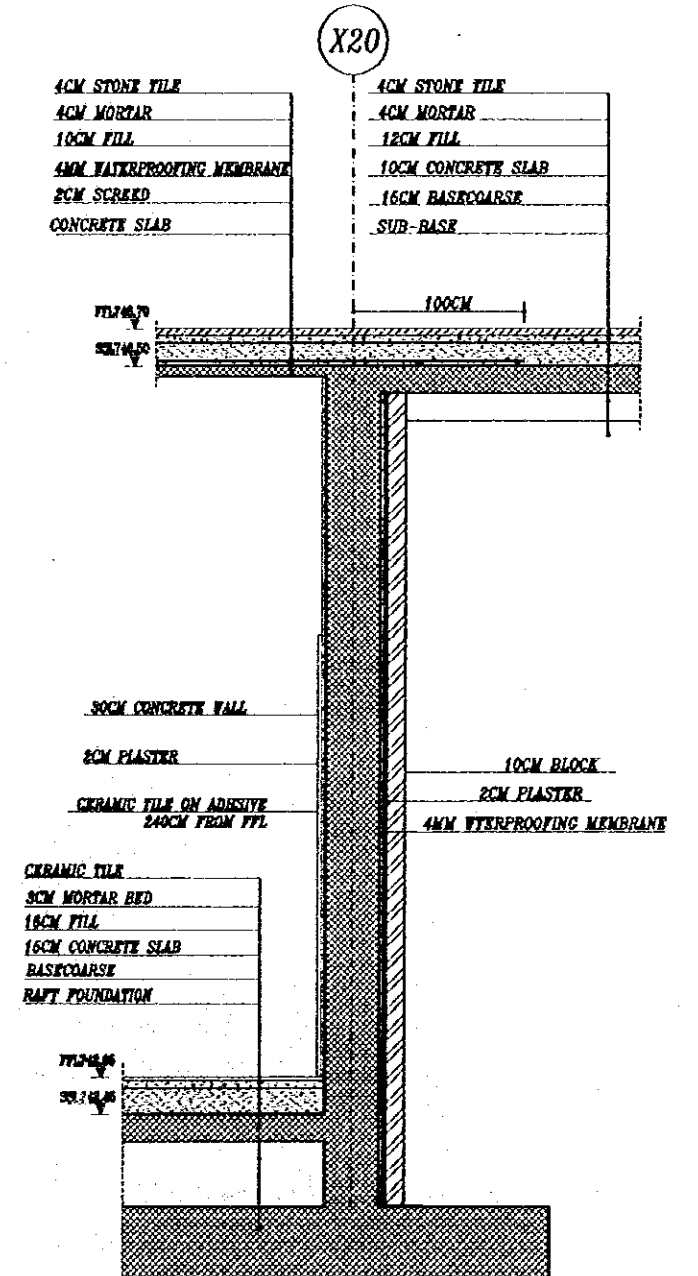
Y05

Y15

X20



TYPICAL DETAILS FOR ALL ARCHES SOFFIT 1/10



Tourism Sector Development Project  
In the Hashemite Kingdom of Jordan

The Government of  
the Hashemite Kingdom of Jordan  
The Ministry of Tourism and Antiquities  
The Ministry of Planning

Sub Project:  
Amman Downtown  
Tourist Zone Development

No's:  
• This detailed design has been executed by a team of consultants as shown below in accordance with the agreement between Japan International Cooperation Agency (JICA) and JICA Study Team.  
• The copyright of this drawing rests with JICA.

Designed by:  
Japan International Cooperation Agency (JICA)  
JICA Study Team:  
Joint Venture of  
Pacific Consultants International and  
Yamashita Seikei Inc.  
Subcontracted Local Consultant:  
TRAH Consultants  
Architect, Engineers

Raghadan Bus Terminal

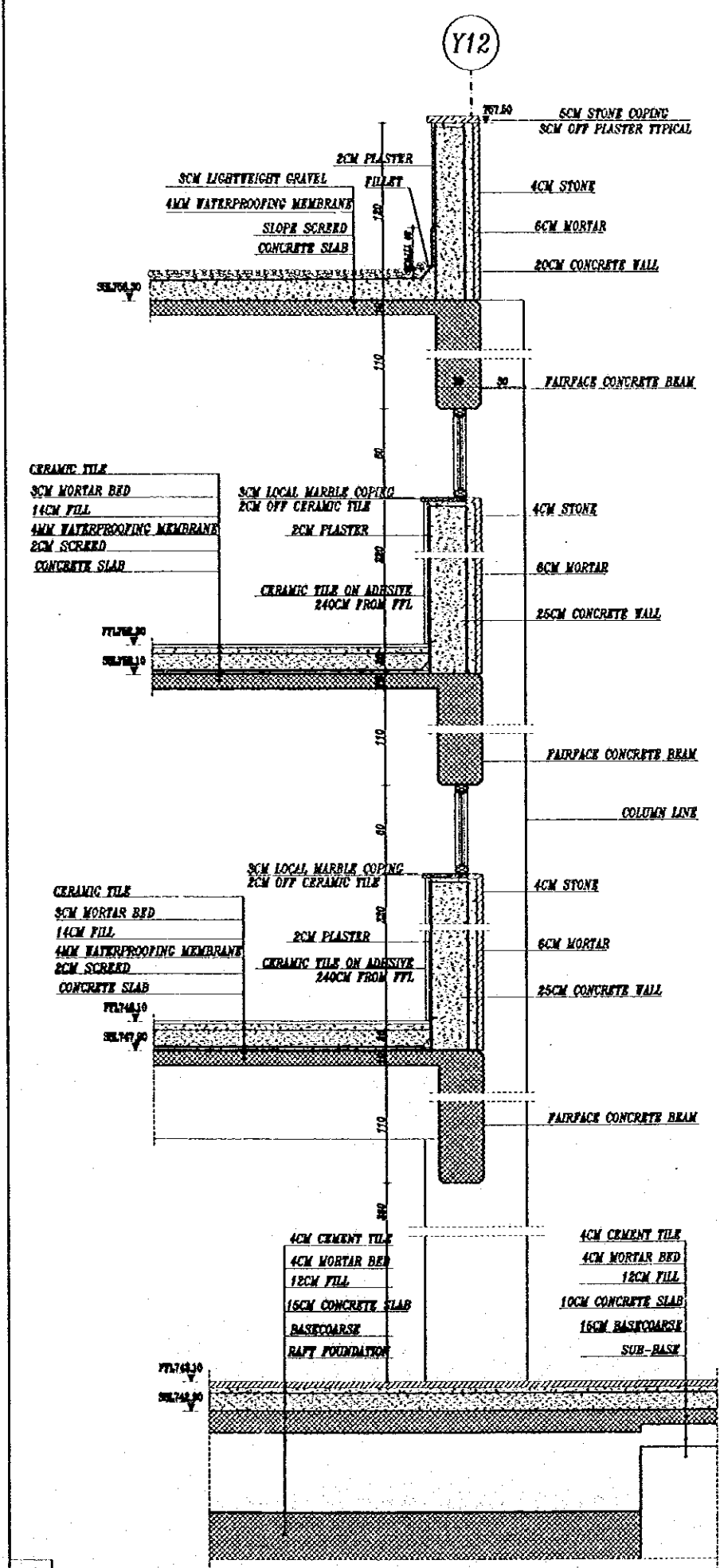
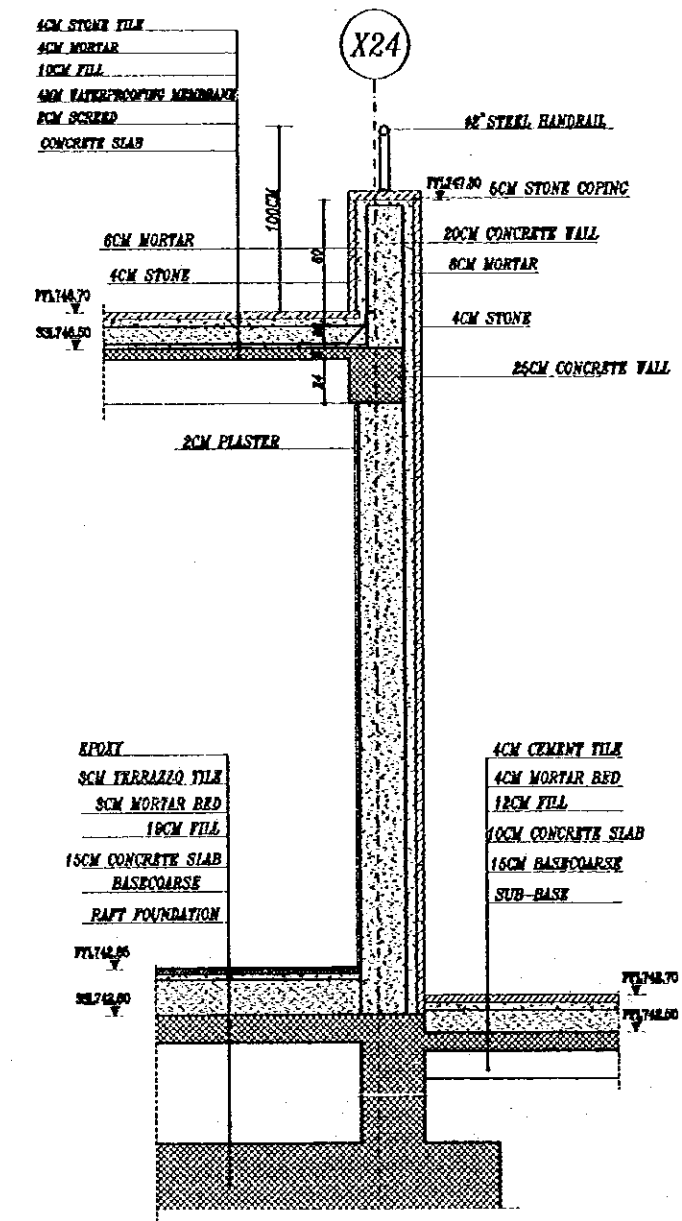
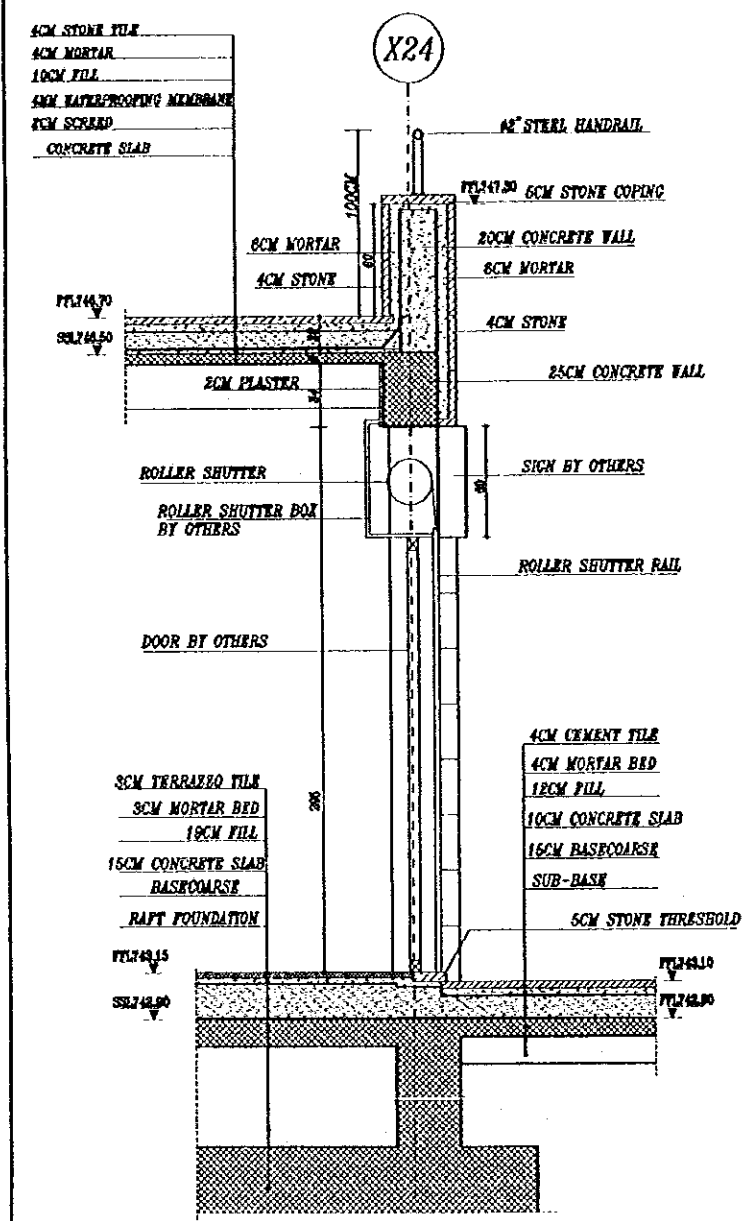
Drawing Title:  
WALL SECTIONS

Scale:  
1/20

Drawing No.:  
RBT.A-605



Note:  
 • This detailed design has been executed by a team of  
 consultants as shown below in accordance with the agreement  
 between Japan International Cooperation Agency (JICA) and  
 JICA Study Team.  
 • The copyright of this drawing rests with JICA.

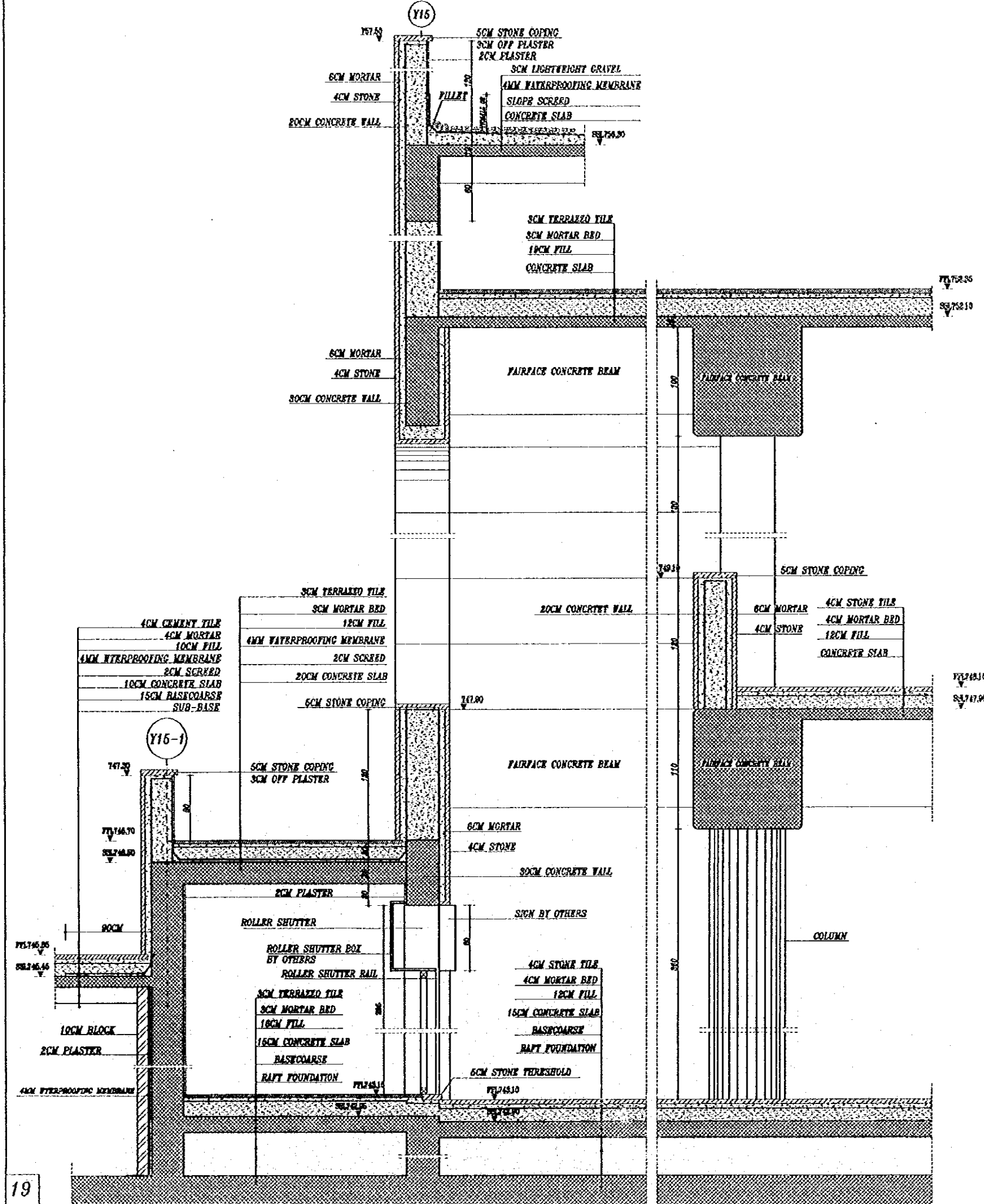
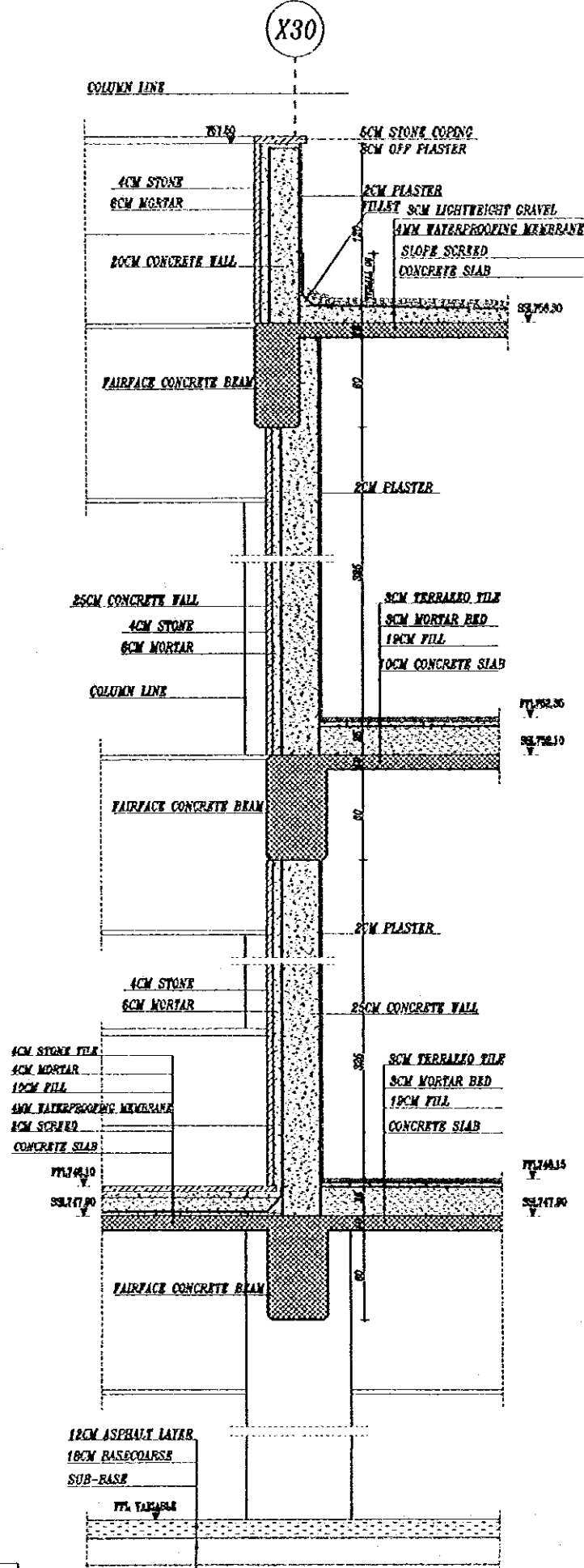


Designed by:  
 Japan International Cooperation Agency  
 (JICA)  
 JICA Study Team:  
 Joint Venture of  
 Pacific Consultants International and  
 Yamashita Sekkei Inc.  
 Subcontracted Local Consultant:  
 TRAH Consultants  
 Architects, Engineers

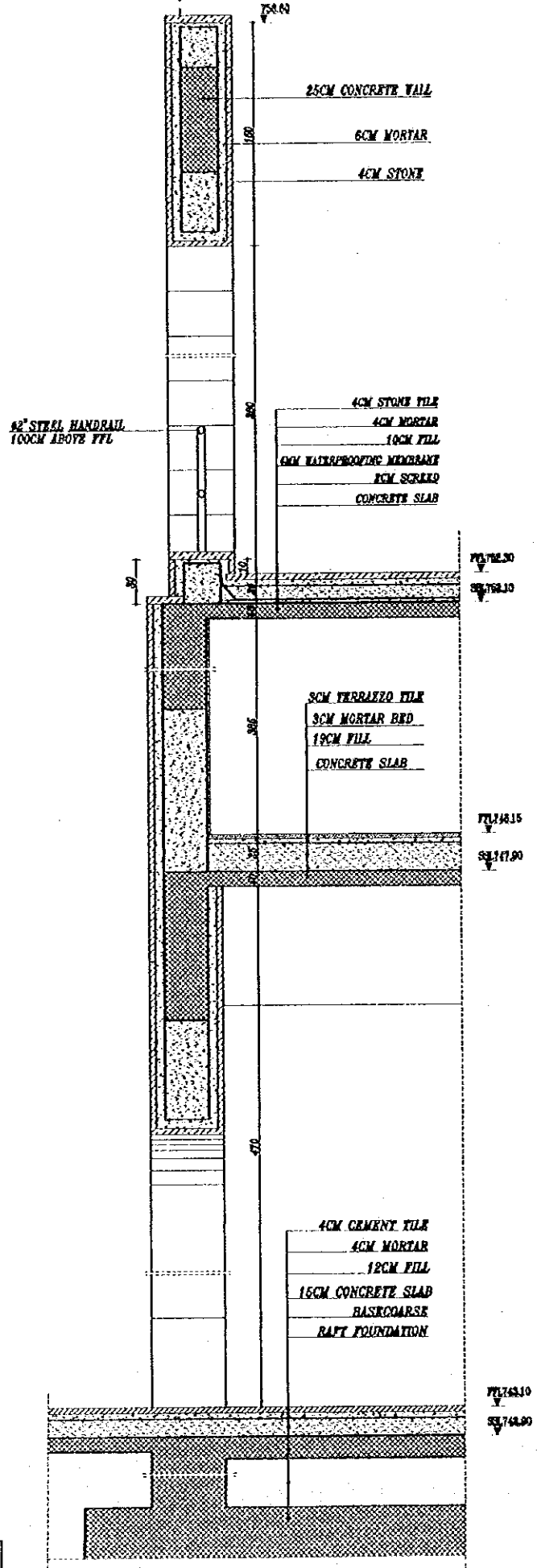
Raghadan Bus Terminal

Drawing Title:  
 WALL SECTIONS

Scale:  
 1/20  
 Drawing No.:  
 RBT.A-606

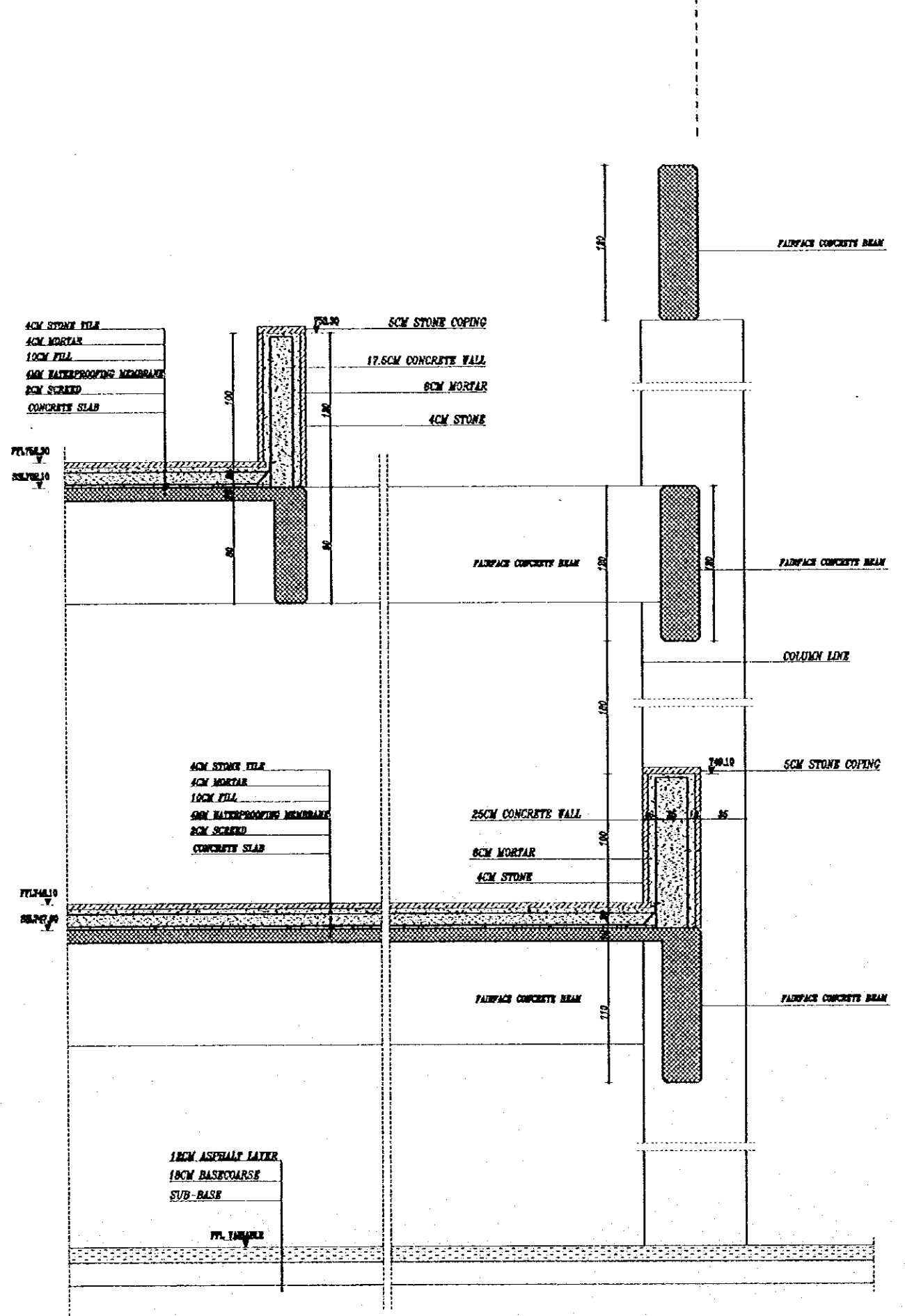


Y15



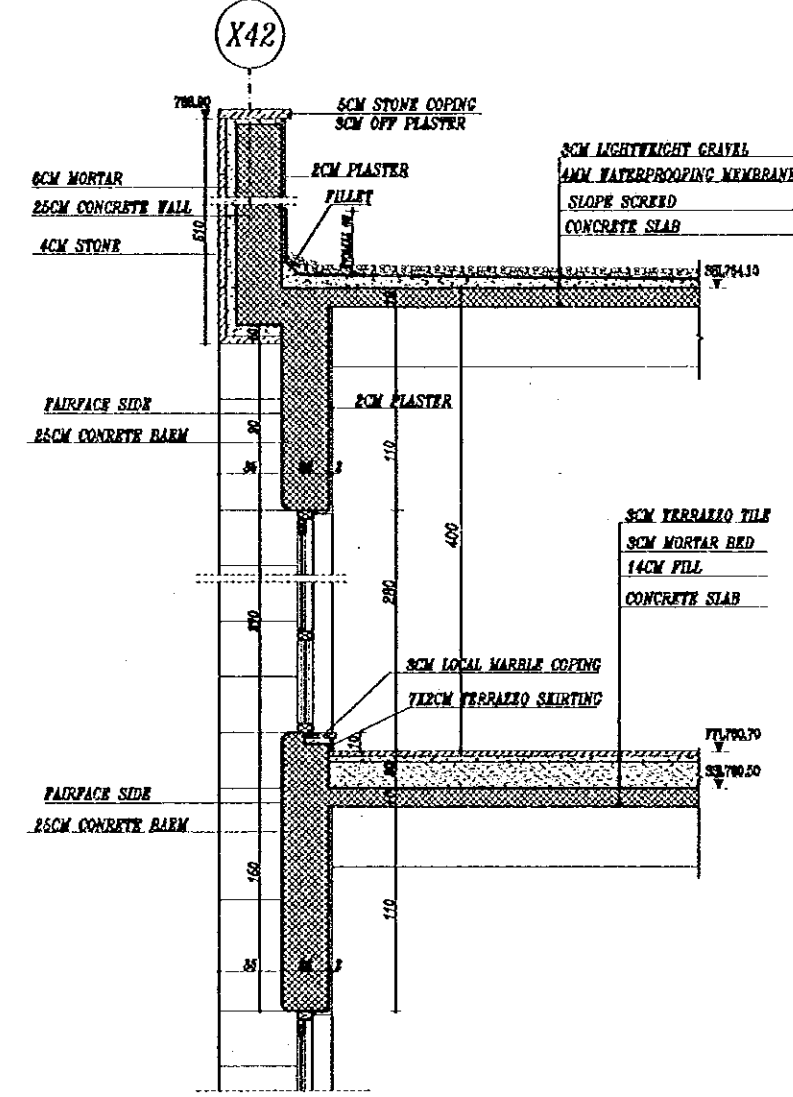
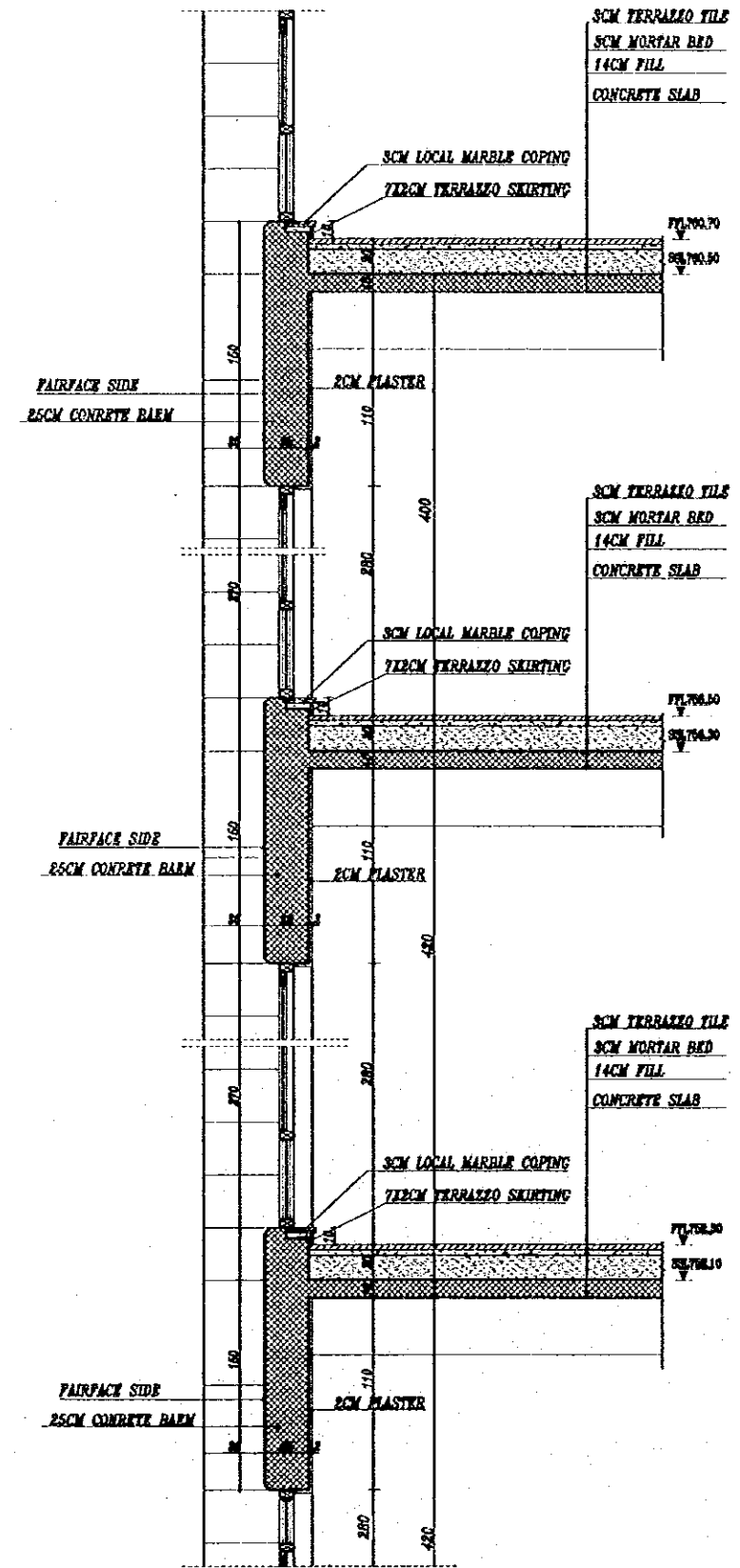
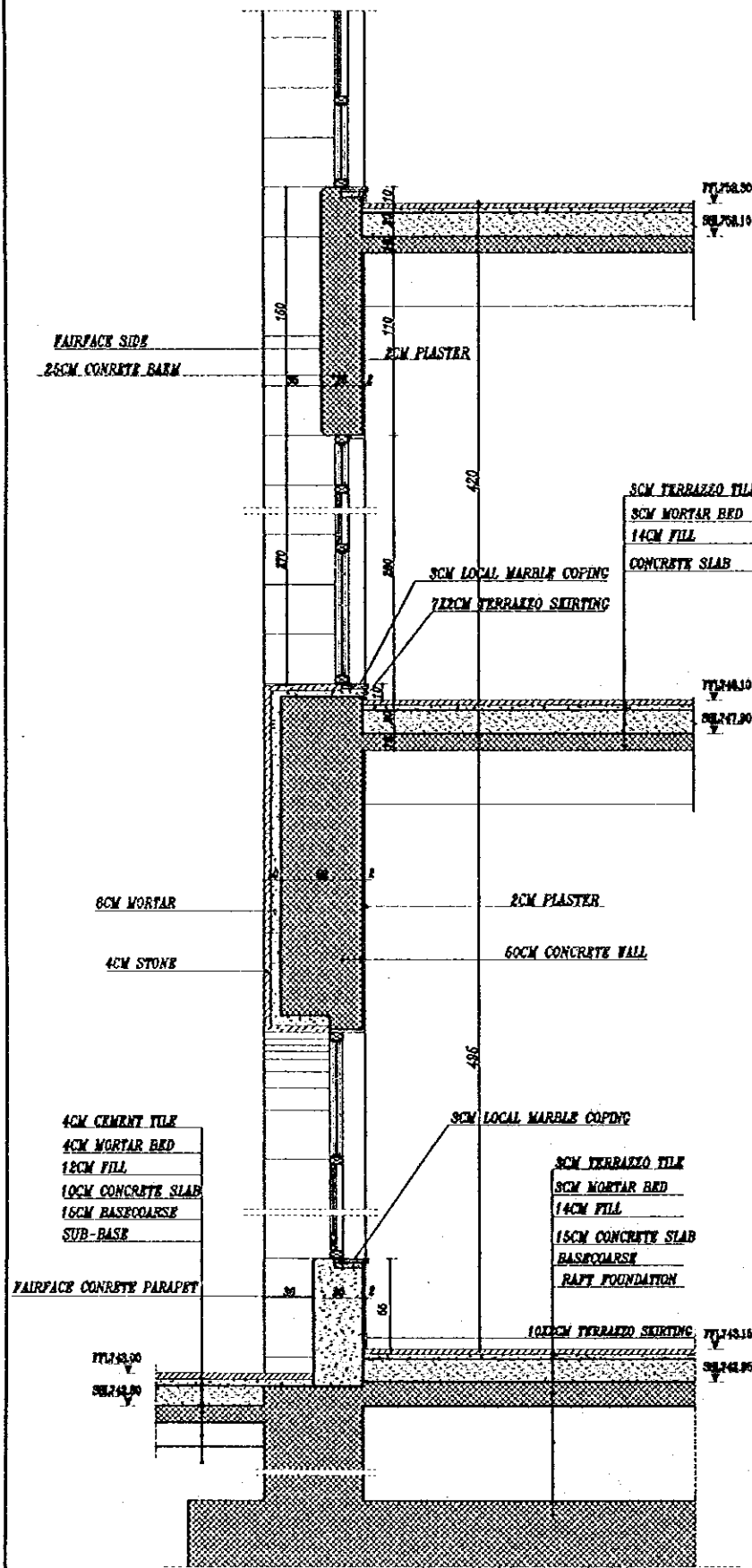
20

Y12



21

Note:  
• This detailed design has been executed by a team of  
consultants as shown below in accordance with the agreement  
between Japan International Cooperation Agency (JICA) and  
JICA Study Team.  
• The copyright of this drawing rests with JICA.



Designed by:  
Japan International Cooperation Agency  
(JICA)

JICA Study Team:  
Joint Venture of  
Pacific Consultants International and  
Yomasa Seidai Inc.

Subcontracted Local Consultant:

TWAN Consultants  
Architects, Engineers

Raghadan Bus Terminal

Drawing title:  
**WALL SECTIONS**

Scale:  
1/20  
Drawing No:  
RBT.A-609

Sub-Project:  
Amman Downtown  
Tourist Zone Development

Notes:  
• The detailed design has been executed by a team of consultants as shown below in accordance with the agreement between Japan International Cooperation Agency (JICA) and JICA Study Team.  
• The copyright of this drawing rests with JICA.

**FINISHES LEGEND**

FLOOR FINISH

- TT : TERRAZZO TILES
- CRT : CERAMIC TILES
- ETT : EPOXY ON TERRAZZO TILE
- CT : CEMENT TILE
- ST : STONE TILE
- AS : ASPHALT LAYER

WALL FINISH

- SC : STONE CLADDING
- PCB : PAINT ON GYPSUM BOARD
- FP : PLASTER & PAINT
- CRT : CERAMIC TILES

CEILING FINISH

- PCB : PAINT ON GYPSUM BOARD
- FP : PLASTER & PAINT
- MF : MINERAL FIBRE

SKIRTING

- FS : TERRAZZO SKIRTING
- SS : STONE SKIRTING

NOTES

- 1- STAINLESS STEEL COAT HANGER ON ALL BACKSIDE OF TOILET DOORS 170cm ABOVE FFL
- 2- STAINLESS STEEL SOAP DISPENSER FOR EACH WASH BASIN
- 3- 80cm GLASS MIRROR 400x60cm FOR EACH WASHBASIN
- 4- CERAMIC SHELF FOR EACH WASHBASIN
- 5- STAINLESS STEEL DISPOSABLE TOWEL DISPENSER 150cm ABOVE FFL
- 6- STAINLESS STEEL TOILET PAPER HOLDER IN EACH WC CUBICLE 60cm ABOVE FFL

Designed by:  
Japan International Cooperation Agency (JICA)

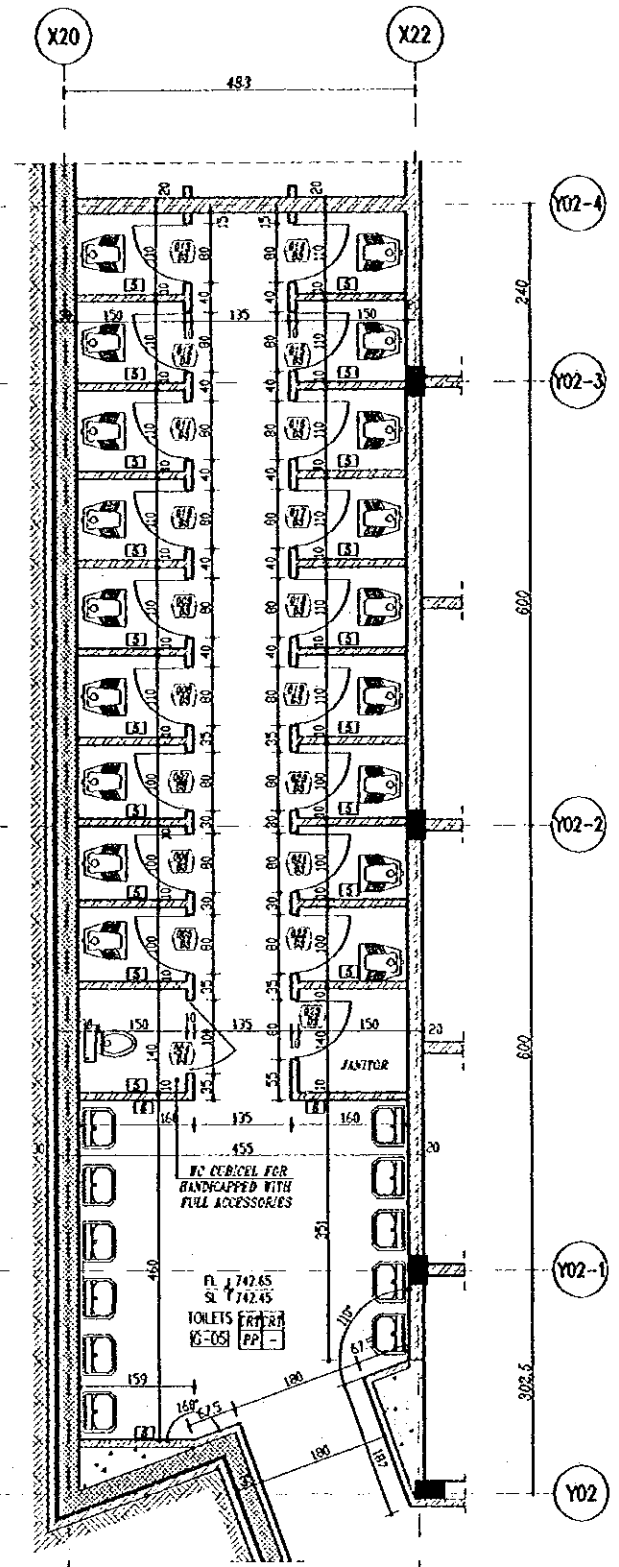
JICA Study Team:  
Joint Venture of  
Pacific Consultants International and  
Yamazaki Seidai Inc.

Subcontracted Local Consultant:  
TIBAH Consultants  
Architects, Engineers

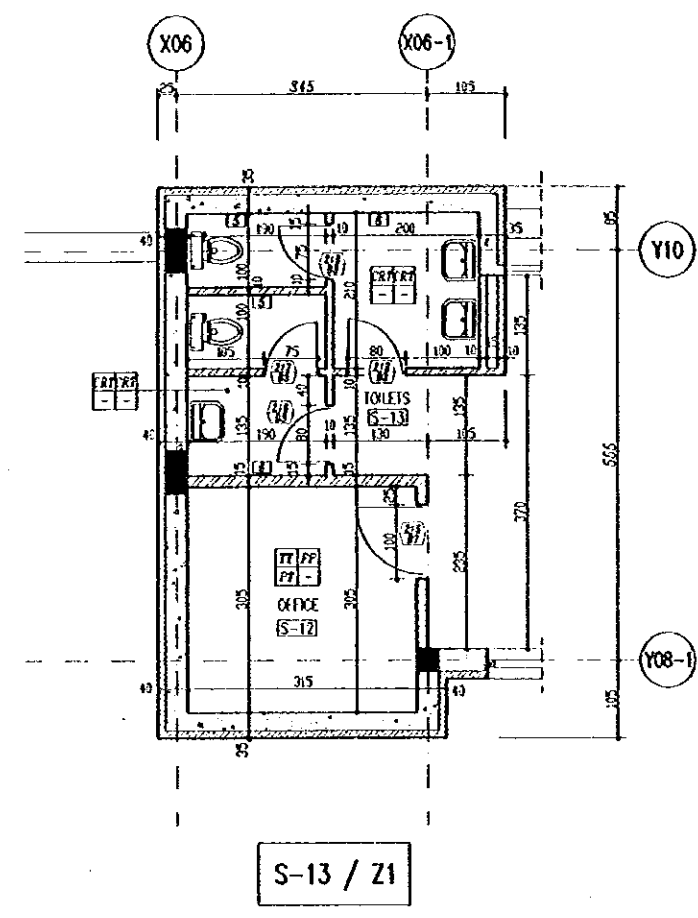
Raghadan Bus Terminal

Drawing title:  
TOILETS PLANS-1  
ZONE 1+2+6

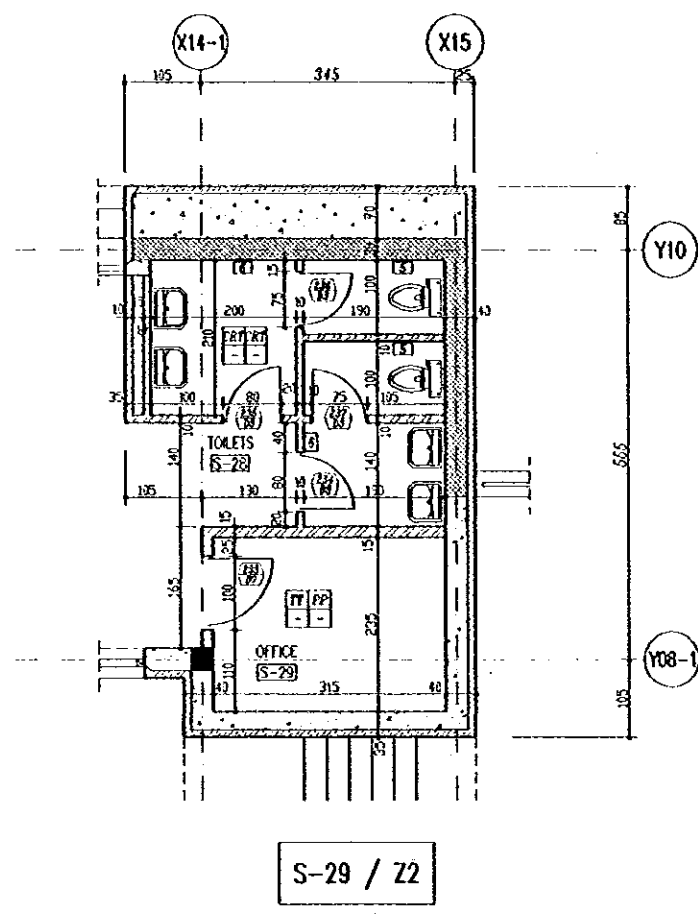
Scale: 1/50 Drawing No: RBT.A-701



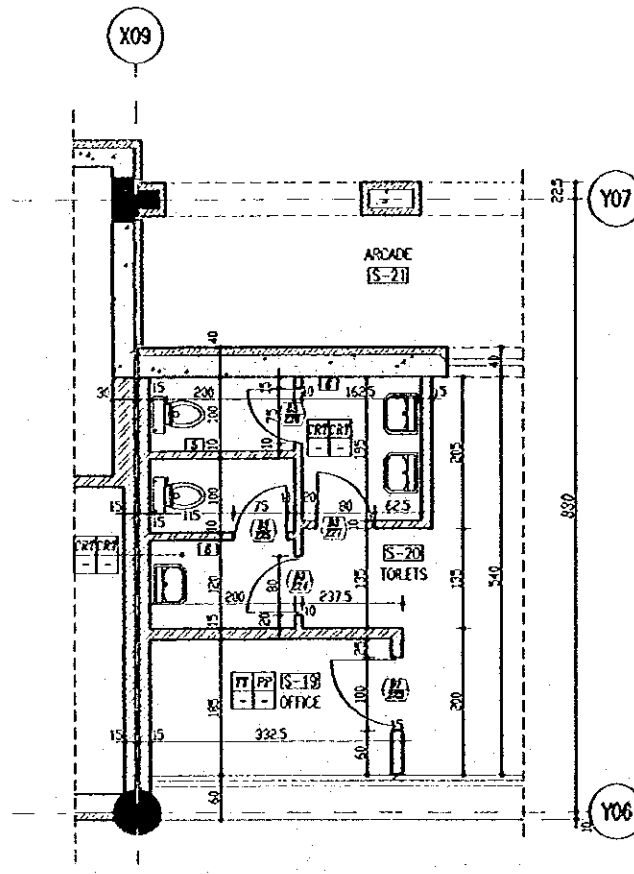
G-05 / Z6



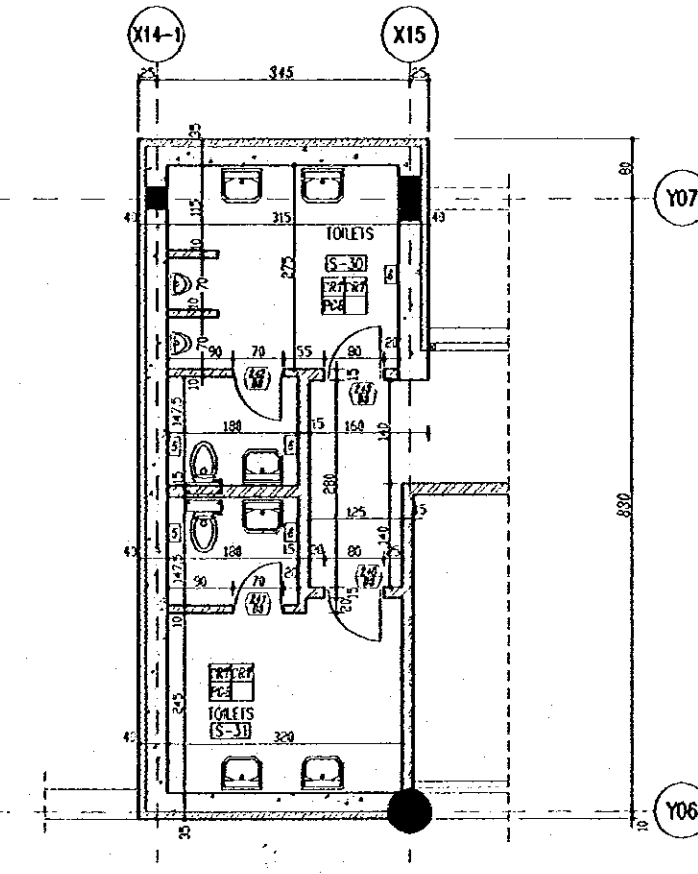
S-13 / Z1



S-29 / Z2



S-20 / Z2



S-30+31 / Z2

**FINISHES LEGEND**

FLOOR FINISH

- TT : TERRAZZO FLOOR
- CT : CERAMIC TILES
- ET : EPOXY OR TERRAZZO FTL
- CF : CONCRETE FTL
- ST : STONE FTL
- AS : ASPHALT LAYER

WALL FINISH

- SC : STONE CLADDING
- PCB : PAINT ON GYPSUM BOARD
- PP : PLASTER & PAINT
- CT : CERAMIC TILES

CEILING FINISH

- PCB : PAINT ON GYPSUM BOARD
- PP : PLASTER & PAINT
- MF : MINERAL FIBRE

SKIRTING

- TS : TERRAZZO SKIRTING
- SS : STONE SKIRTING

NOTES

- 1- STAINLESS STEEL GRAY RINGER ON ALL BACKSIDE OF TOILET DOORS 1700mm ABOVE FTL
- 2- STAINLESS STEEL SOAP DISPENSER FOR EACH WASHBASIN
- 3- 800mm GLASS MIRROR 400x200mm FOR EACH WASHBASIN
- 4- CERAMIC SHELF FOR EACH WASHBASIN
- 5- STAINLESS STEEL DISPOSABLE TOWEL DISPENSER 1500mm ABOVE FTL
- 6- STAINLESS STEEL TOILET PAPER HOLDER IN EACH WC CUBICLE 800mm ABOVE FTL

Designed by:

Japan International Cooperation Agency  
[JICA]

JICA Study Team:

Joint Venture of  
Pacific Consultants International and  
Yamato Sekkei Inc.

Subcontracted Local Consultant:

TBAH Consultants  
Architects Engineers  

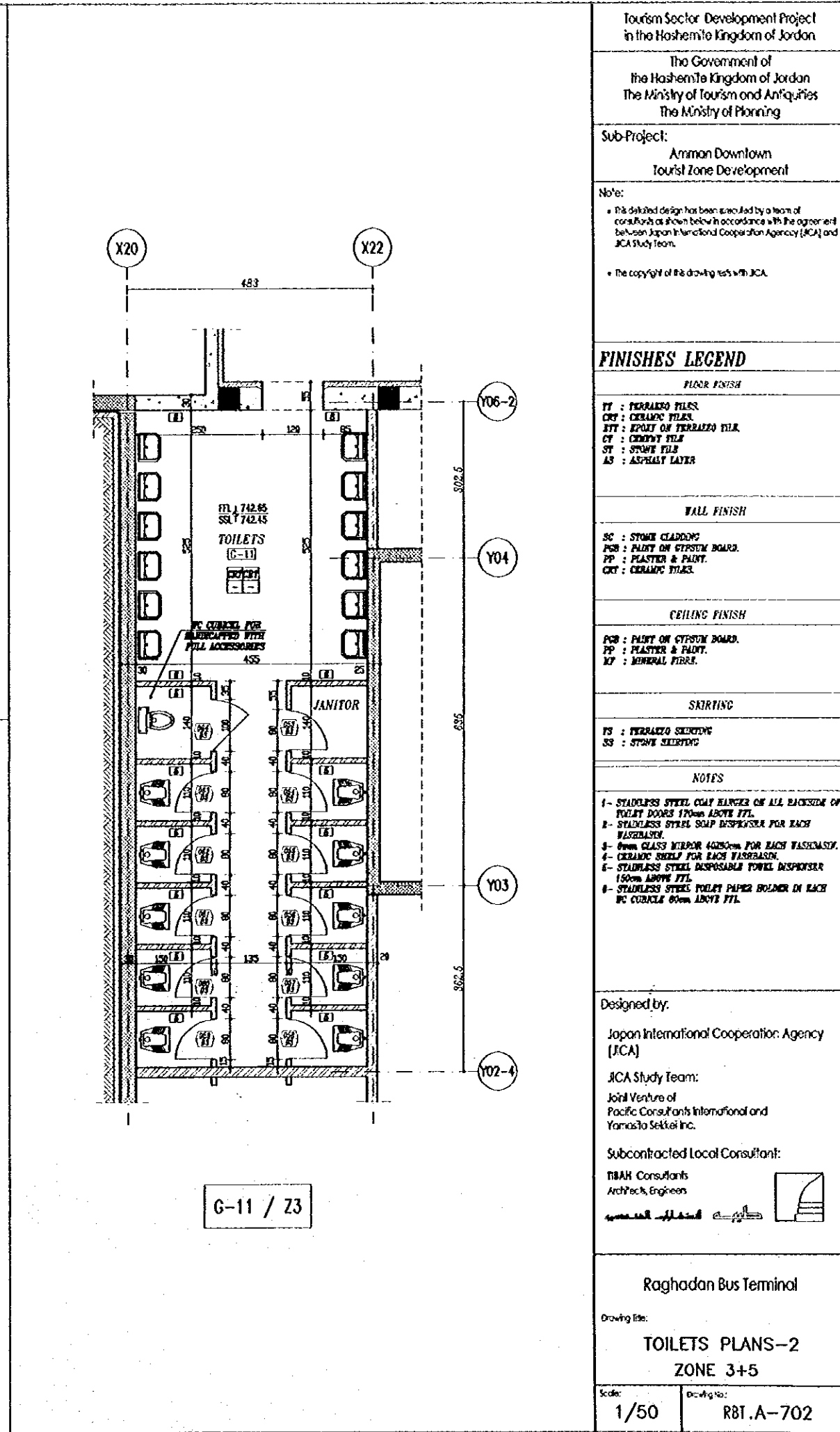
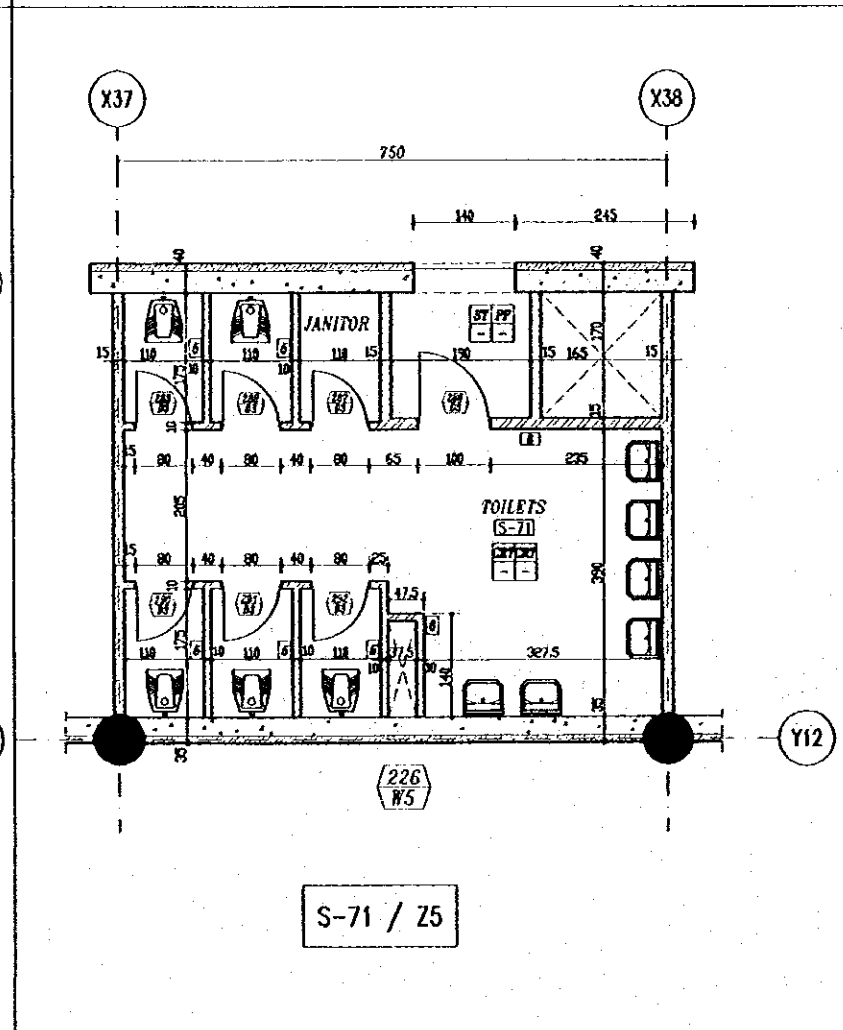
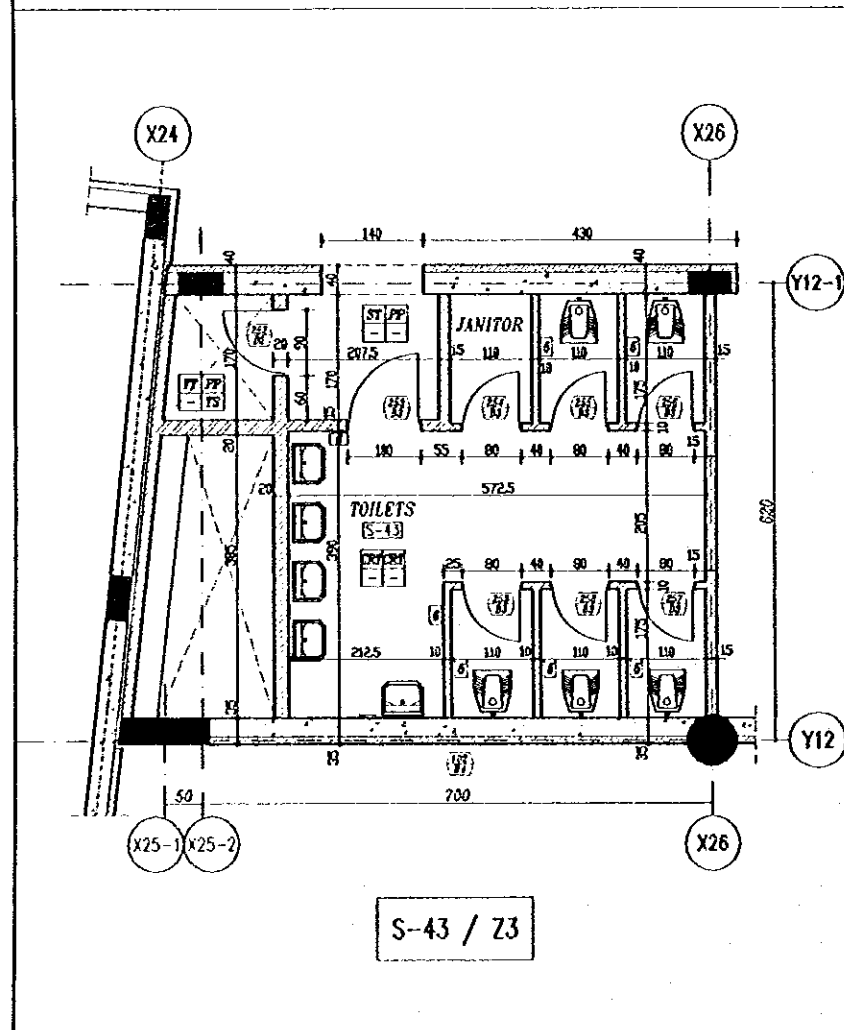
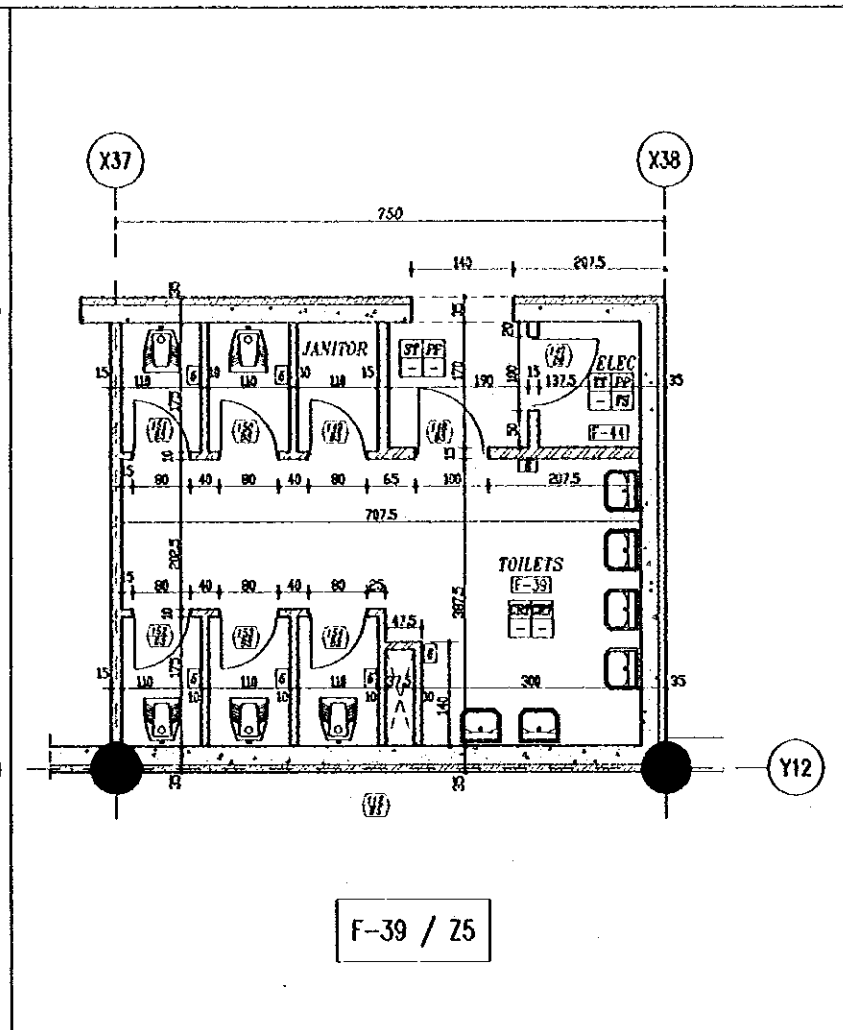
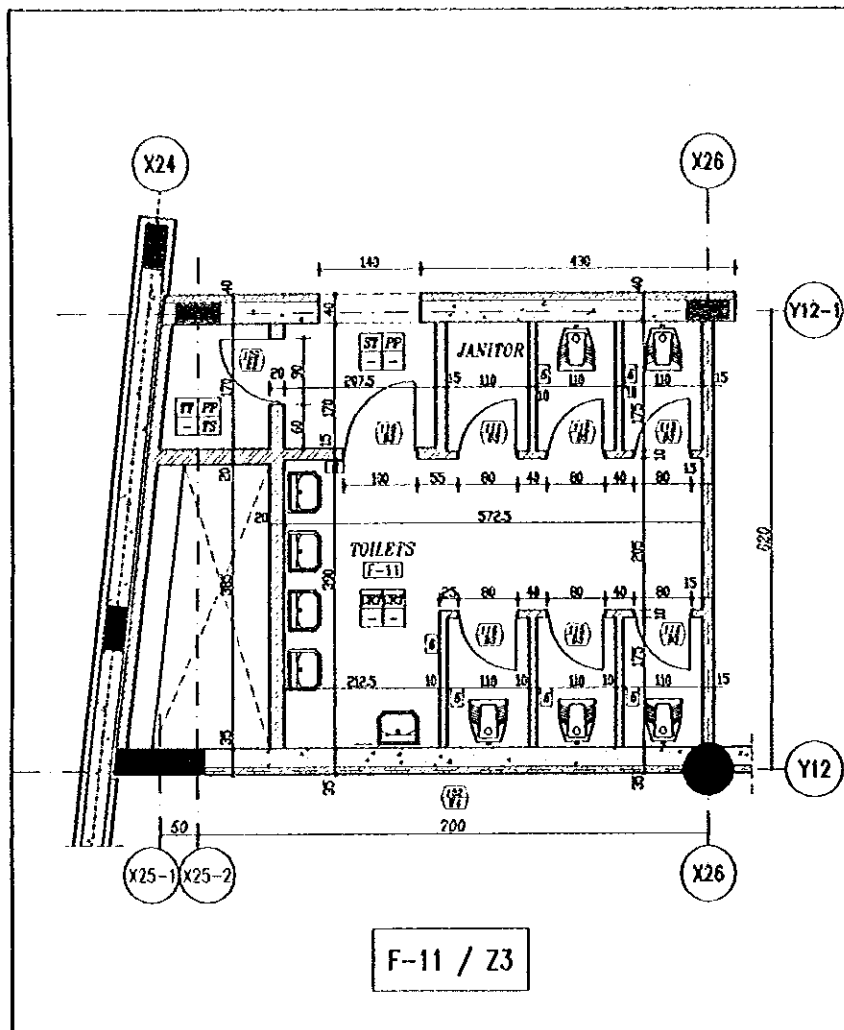

Raghadan Bus Terminal

Drawing title:

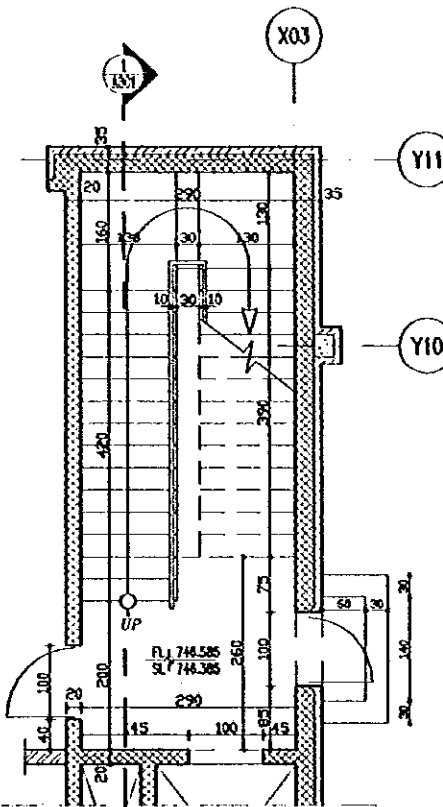
**TOILETS PLANS-2  
ZONE 3+5**

Scale:  
1/50

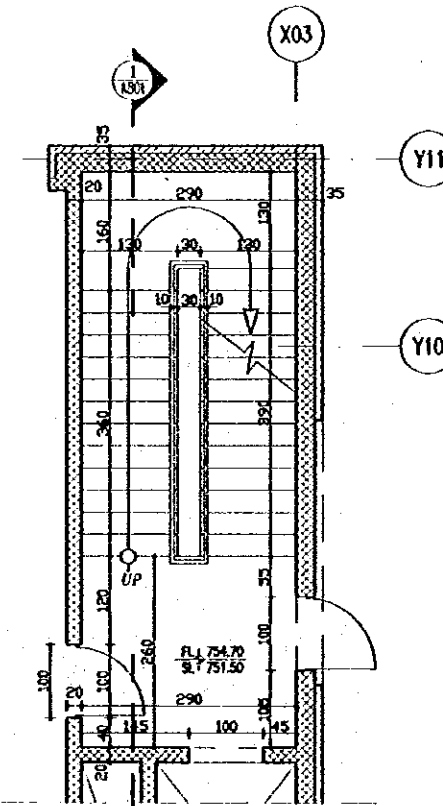
Drawing No.:  
RBT.A-702



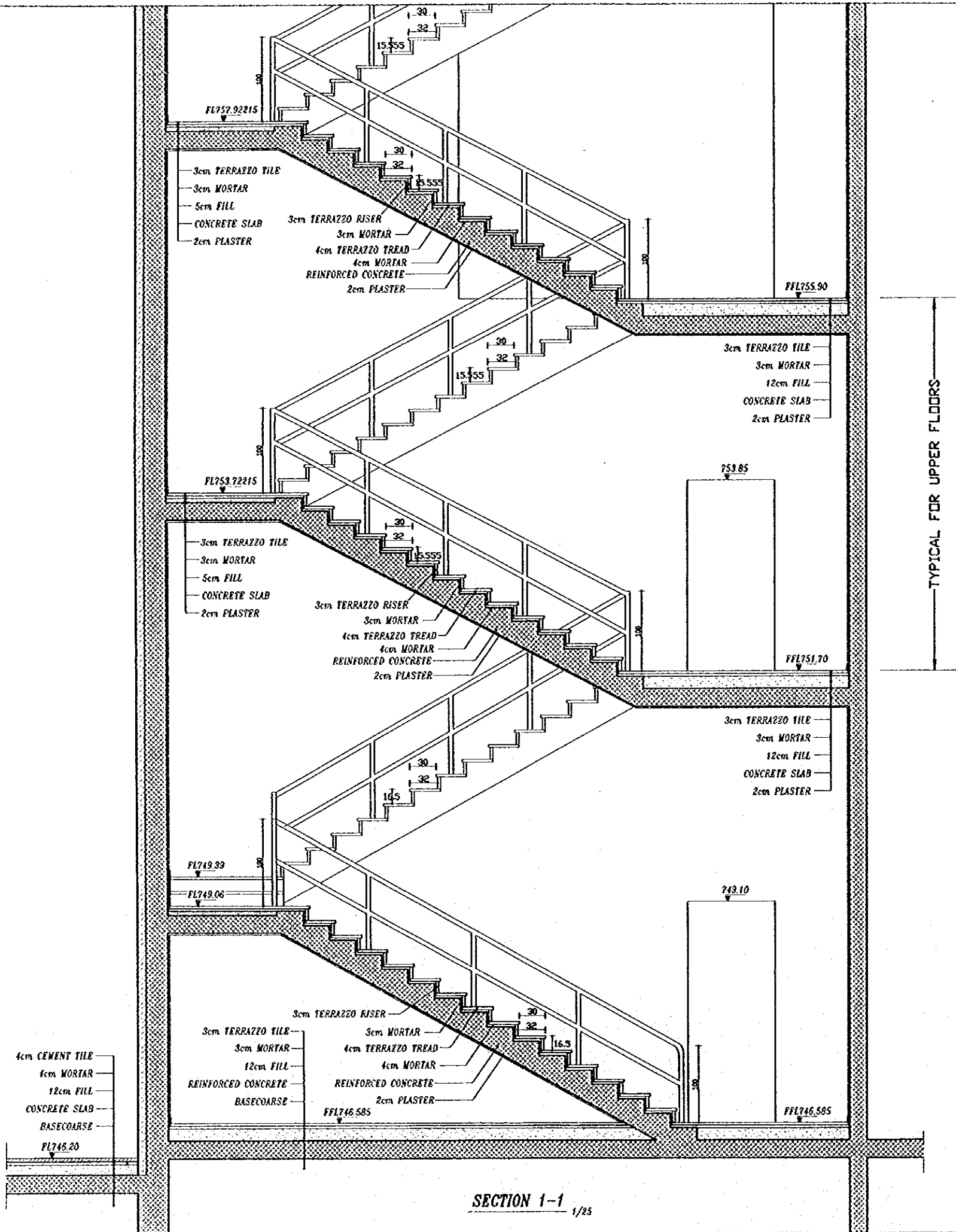
Note:  
• This detailed design has been executed by a team of consultants as shown below in accordance with the agreement between Japan International Cooperation Agency (JICA) and JICA Study Team.  
• The copyright of this drawing rests with JICA.



STAIRCASE # 1  
FIRST FLOOR 1/50



STAIRCASE # 1  
SECOND FLOOR 1/50



SECTION 1-1  
1/25

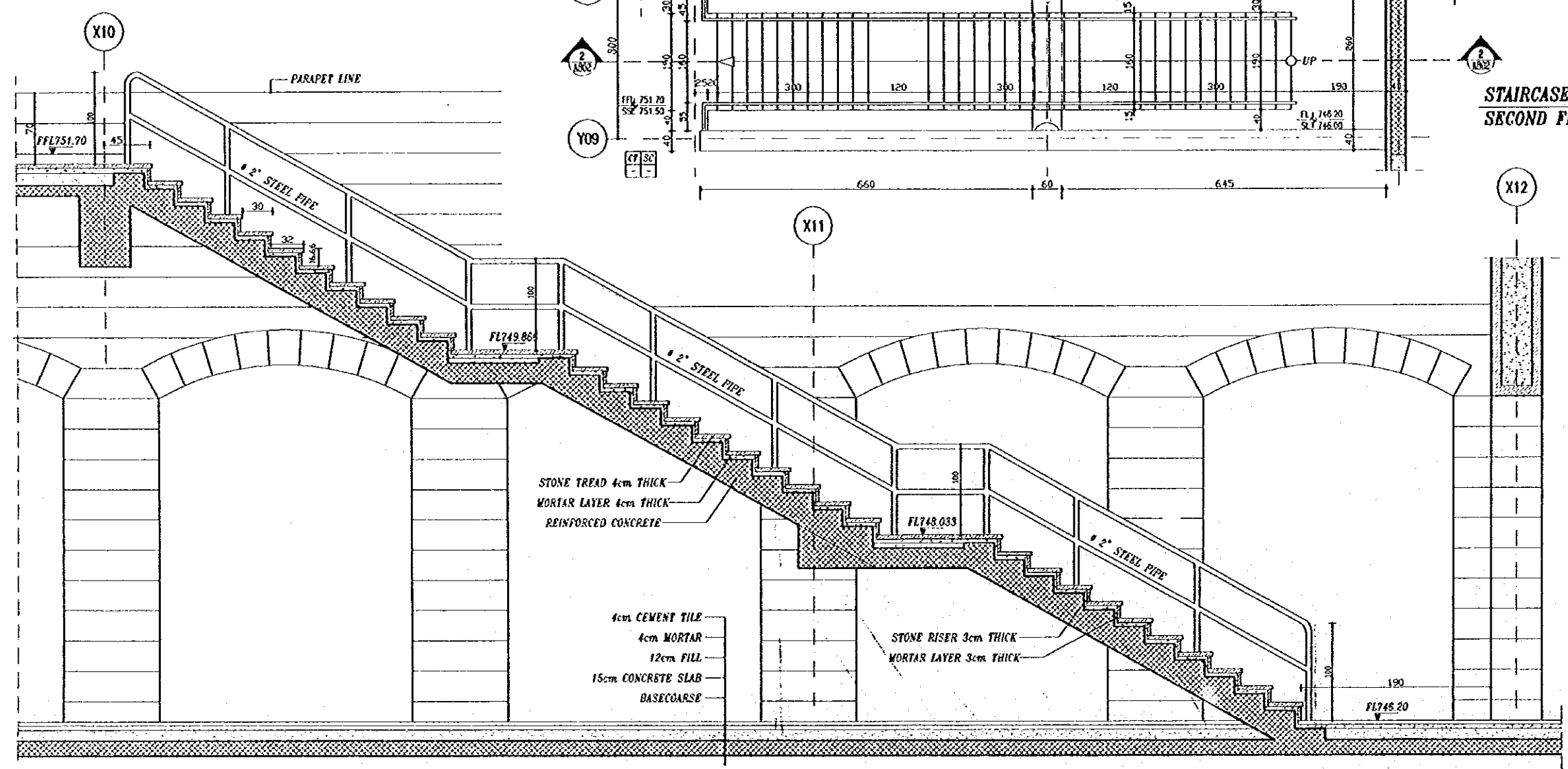
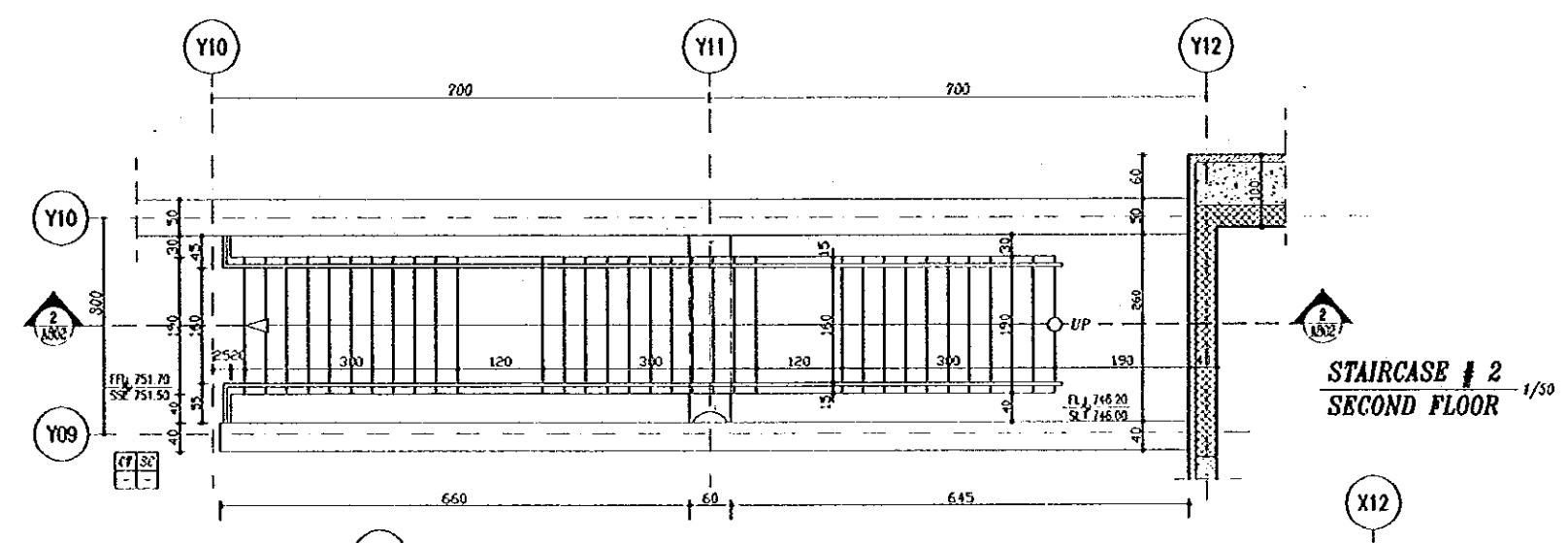
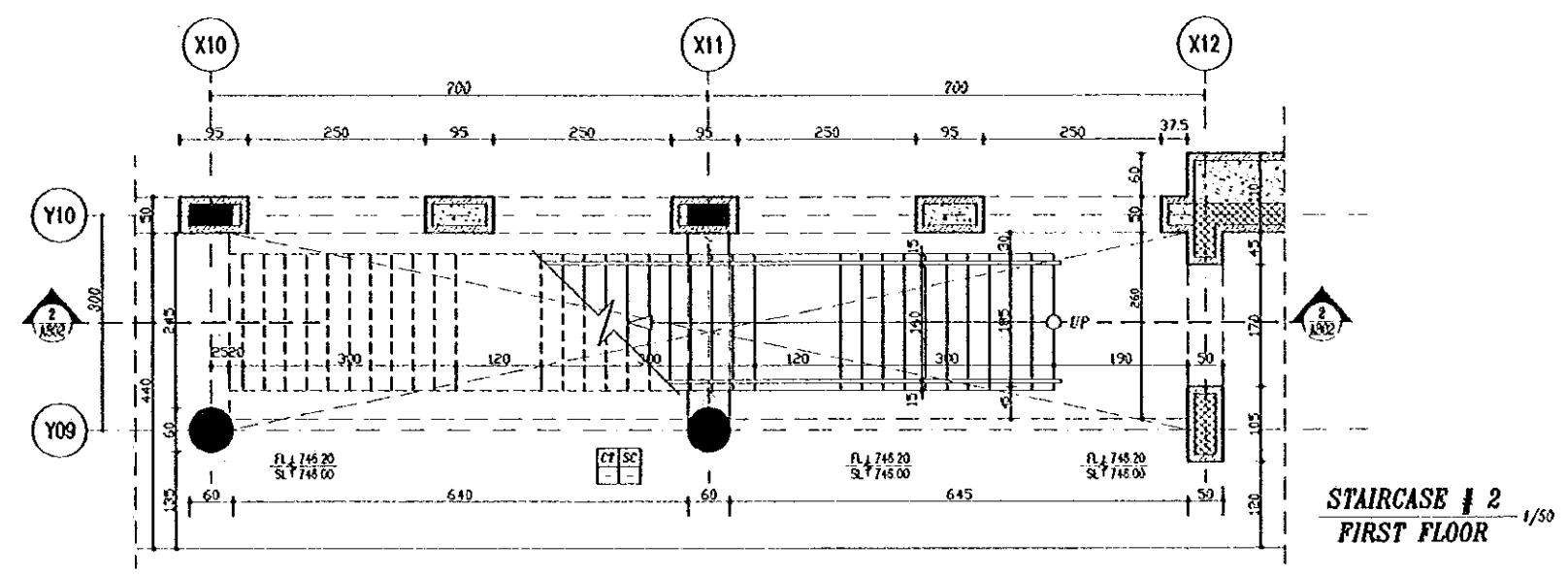
Designed by:  
Japan International Cooperation  
Agency (JICA)  
JICA Study Team:  
Joint Venture of  
Pacific Consultants International and  
Yamasita Sekkel Inc.  
Subcontracted Local Consultant:  
TIBAH Consultants  
Architects, Engineers

Raghadan Bus Terminal

Drawing Title:  
STAIRCASE #1 DETAILS

Scale: VAR Drawing No.: RBT . A801

Note:  
• This detailed design has been executed by a team of consultants as shown below in accordance with the agreement between Japan International Cooperation Agency (JICA) and JICA Study Team.  
• The copyright of this drawing rests with JICA.



Designed by:  
Japan International Cooperation Agency (JICA)  
JICA Study Team:  
Joint Venture of Pacific Consultants International and Yamasita Sekkei Inc.  
Subcontracted Local Consultant:  
TBAH Consultants Architects, Engineers

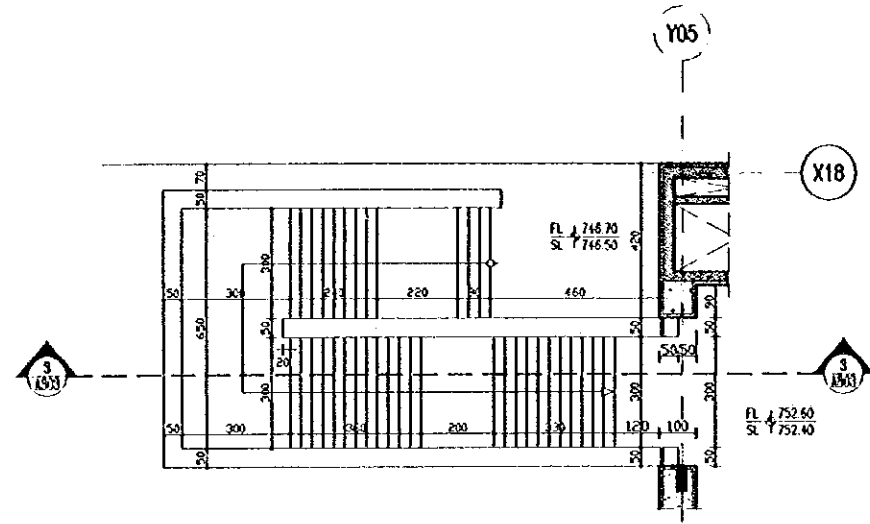
Raghadan Bus Terminal  
Drawing Title:  
STAIRCASE #2 DETAILS

Scale: VAR Drawing No.: RBT . A802

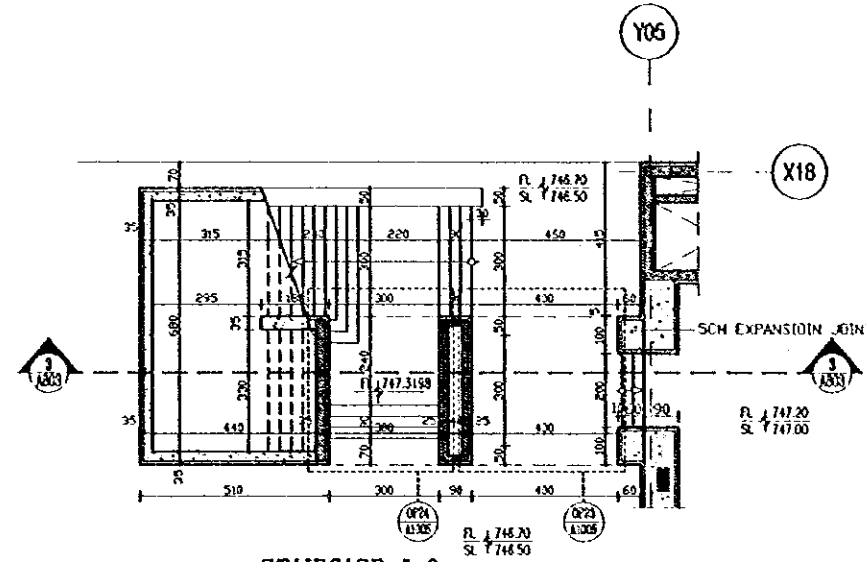
2.2



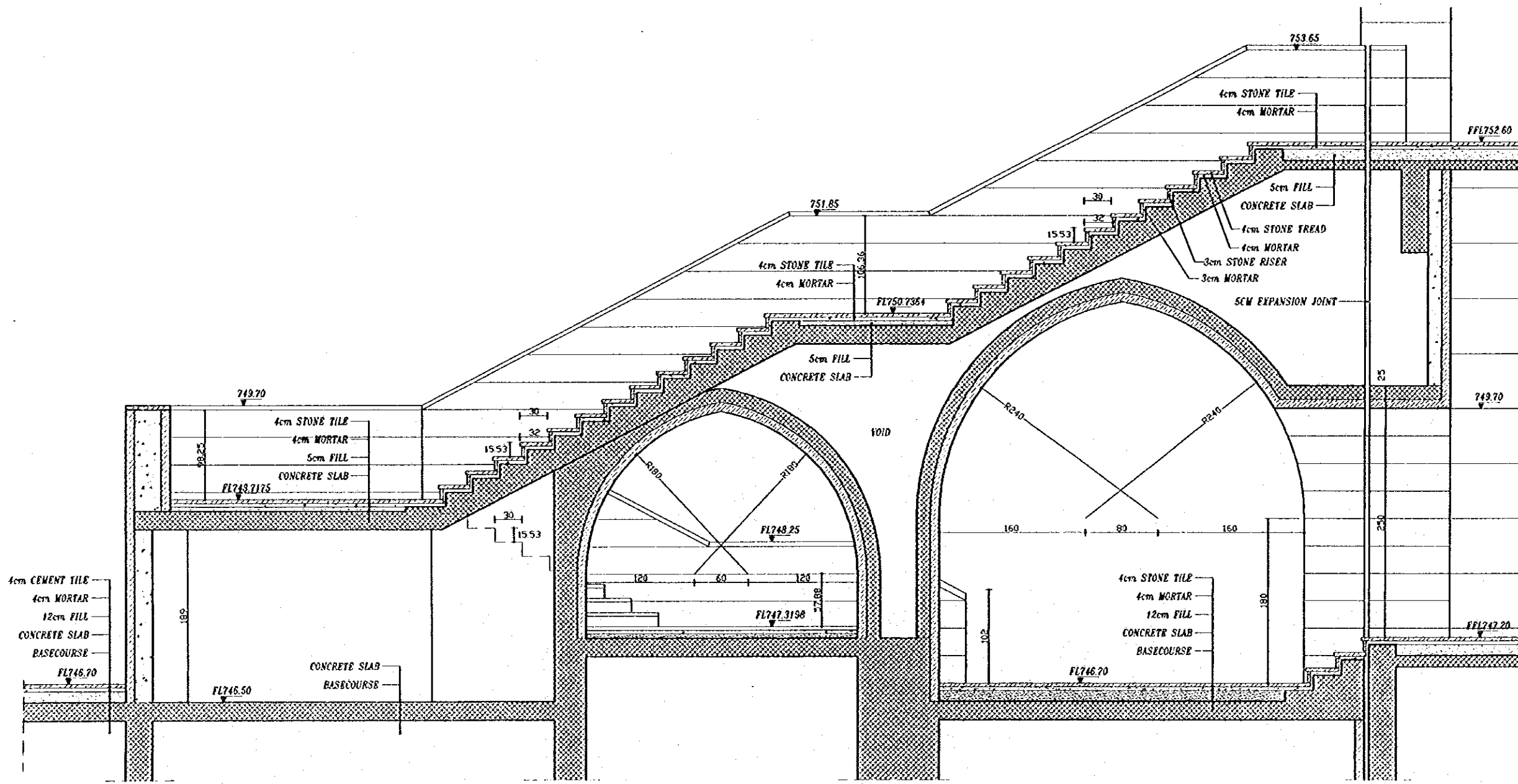
Note:  
• This detailed design has been executed by a team  
of consultants as shown below in accordance with  
the agreement between Japan International  
Cooperation Agency (JICA) and JICA Study  
Team.  
• The copyright of this drawing rests with JICA.



STAIRCASE # 3  
SECOND FLOOR 1/100



STAIRCASE # 3  
FIRST FLOOR 1/100



SECTION 5-5  
1/25

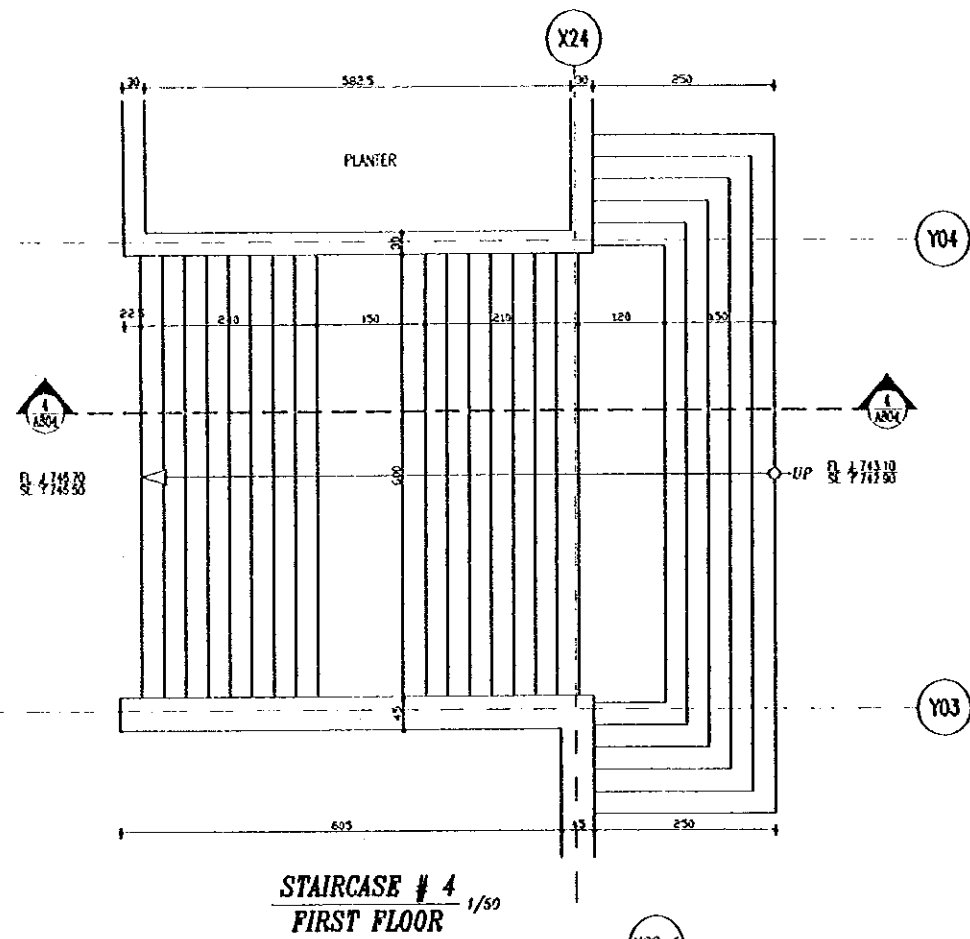
Designed by:  
Japan International Cooperation  
Agency (JICA)  
JICA Study Team:  
Joint Venture of  
Pacific Consultants International and  
Yamashita Sekkei Inc.  
Subcontracted Local Consultant:  
TIBAH Consultants  
Architects, Engineers

Raghadan Bus Terminal

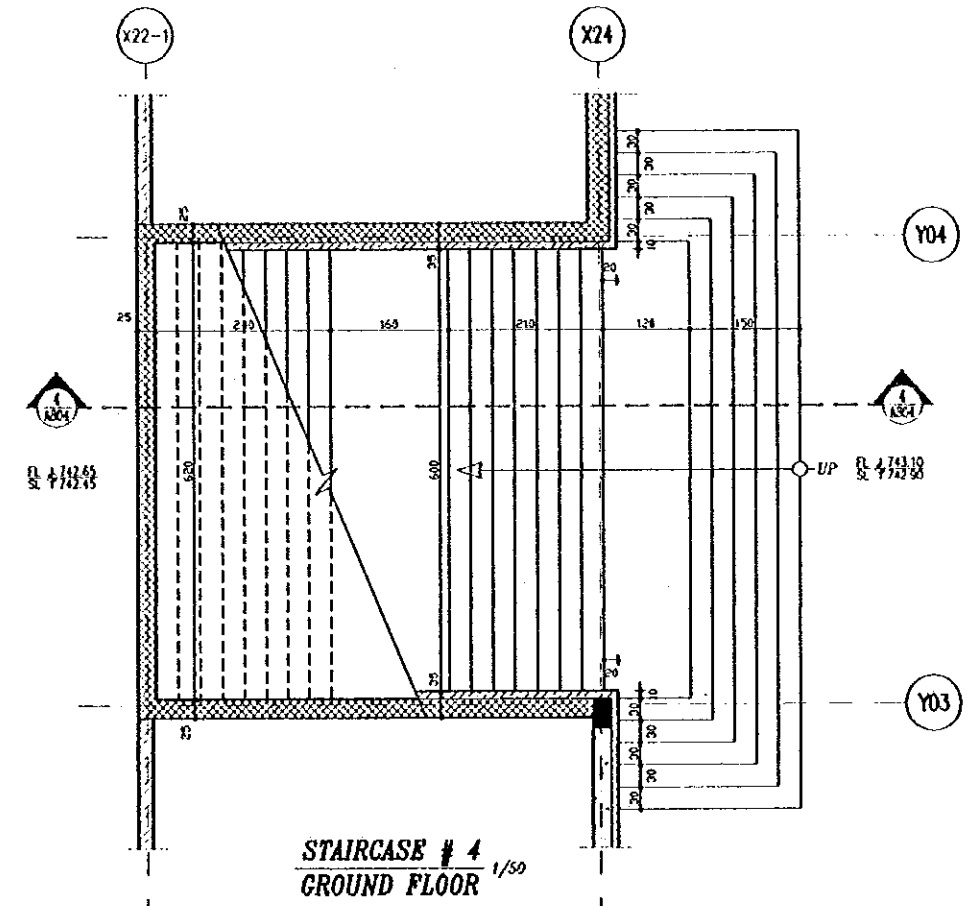
Drawing Title:  
STAIRCASE #3 DETAILS

Scale:  
VAR Drawing No.:  
RBT . A803

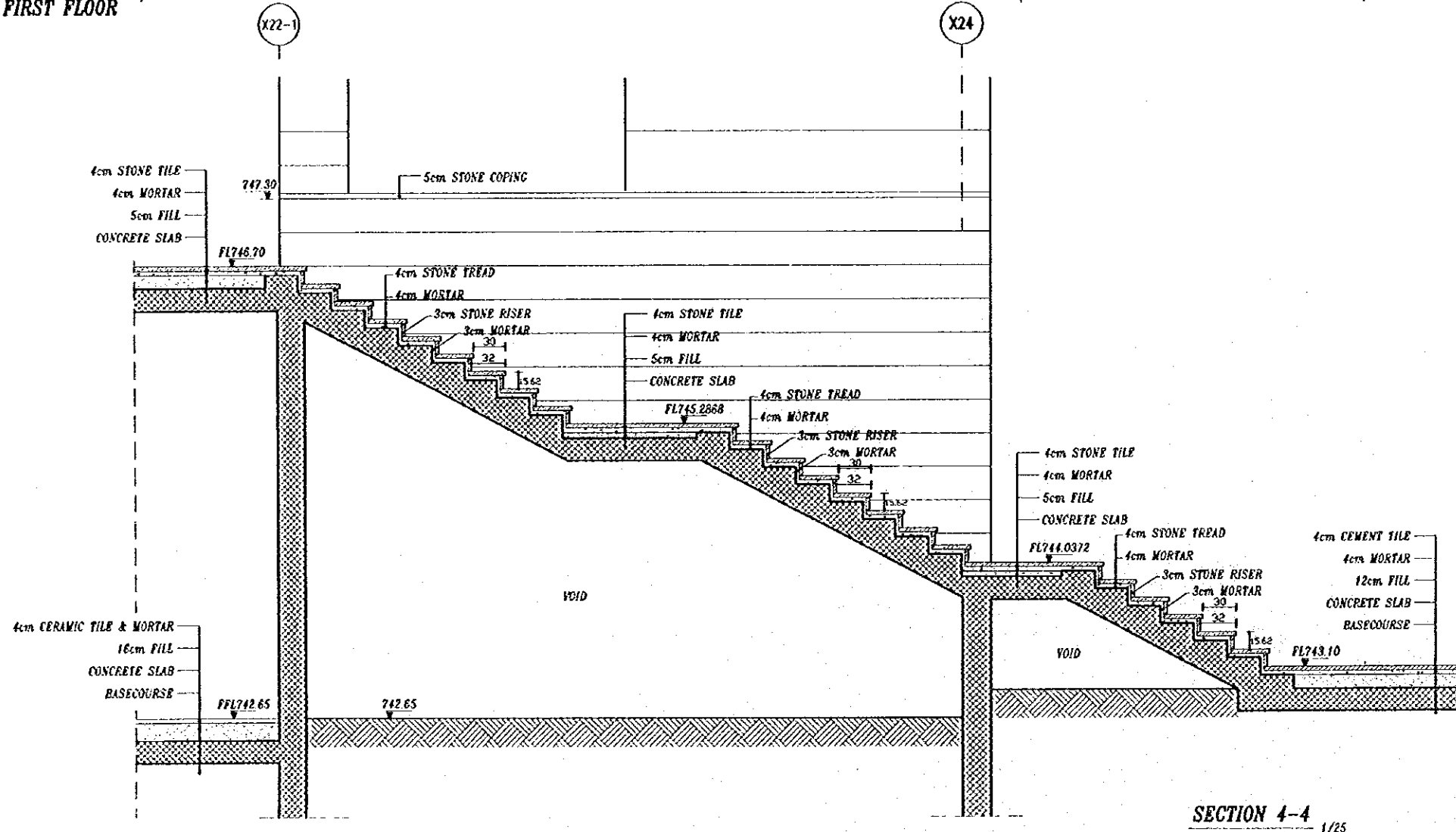
Note:  
• This detailed design has been executed by a team  
of consultants as shown below in accordance with  
the agreement between Japan International  
Cooperation Agency (JICA) and JICA Study  
Team.  
• The copyright of this drawing rests with JICA.



STAIRCASE # 4  
FIRST FLOOR  
1/50



STAIRCASE # 4  
GROUND FLOOR  
1/50



SECTION 4-4  
1/25

Designed by:  
Japan International Cooperation  
Agency (JICA)  
JICA Study Team:  
Joint Venture of  
Pacific Consultants International and  
Yamashita Sekkei Inc.  
Subcontracted Local Consultant:  
TIBAH Consultants  
Architects, Engineers

Raghadan Bus Terminal  
Drawing Title:  
STAIRCASE #4 DETAILS

Scale: VAR  
Drawing No.: RBT.A804