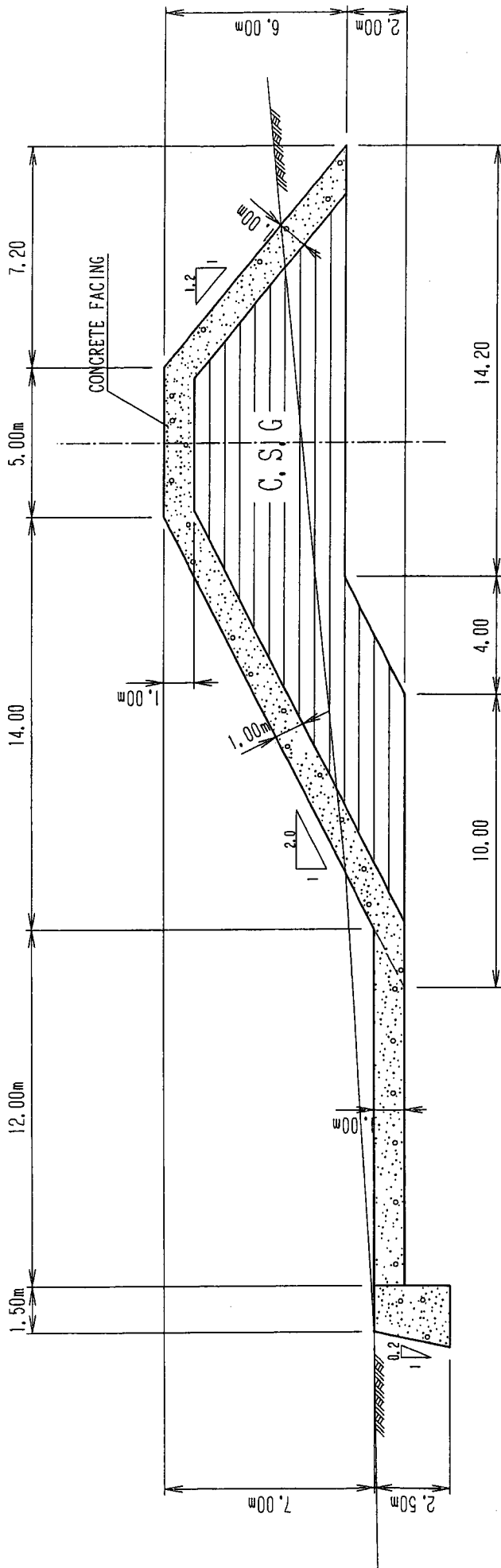


6. Structure and Volume of Planning Facilities for Master Plan

CONSOLIDATION DAM

H=6.0m (EFFECTIVE HEIGHT 4.0m)
OVERFLOW PORTION(A)

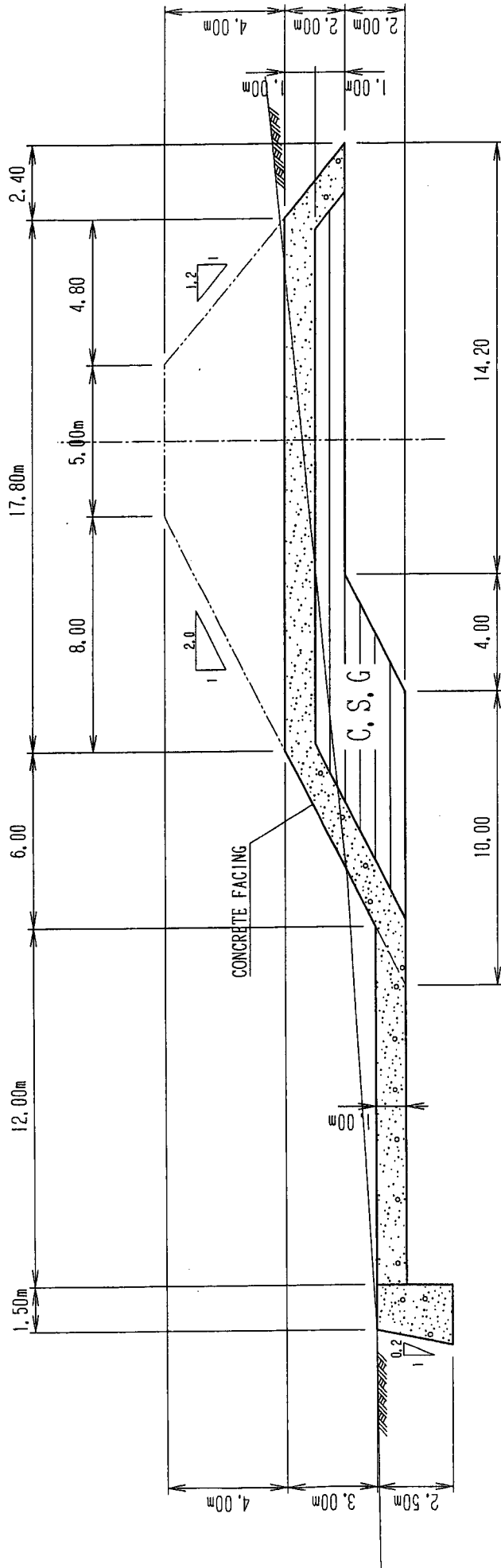


Work Item		Unit	Quantity	Unit Price (Peso)	Amount (Peso)
Concrete	Concrete Facing	m ³	30.1		
	Apron	m ³	11.0		
	Apron Wall	m ³	4.4		
Total		m ³	45.5	2,500	113,750
C.S.G. (Cemented Sand and Gravel)		m ³	77.5	400	31,000
Excavation		m ³	75.0	120	9,000
					153,750

(per m)

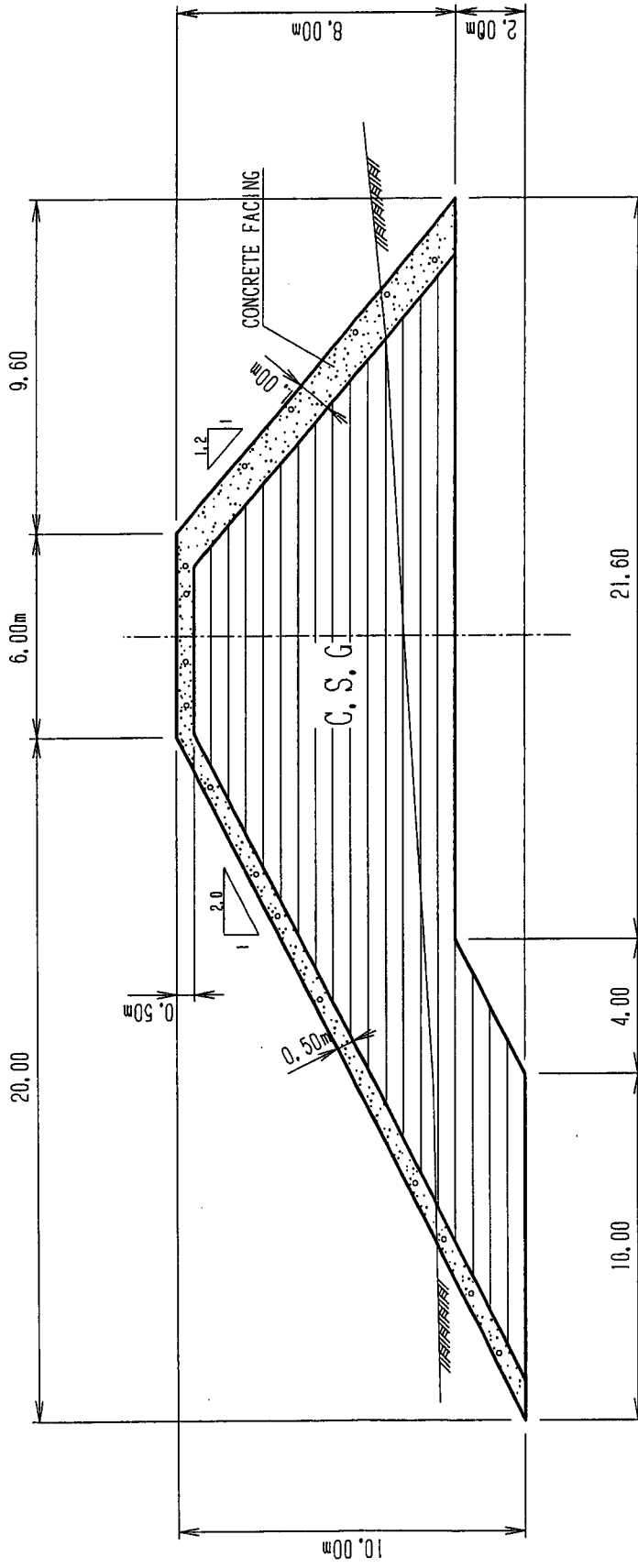
DF II 6.1 Structure and Volume of Planning Facilities (Consolidation Dam H=6.0m-1)

CONSOLIDATION DAM
H=6.0m (EFFECTIVE HEIGHT 4.0m)
OVERFLOW PORTION(B)



CONSOLIDATION DAM

H=6.0m (EFFECTIVE HEIGHT 4.0m)
NON-OVERFLOW PORTION

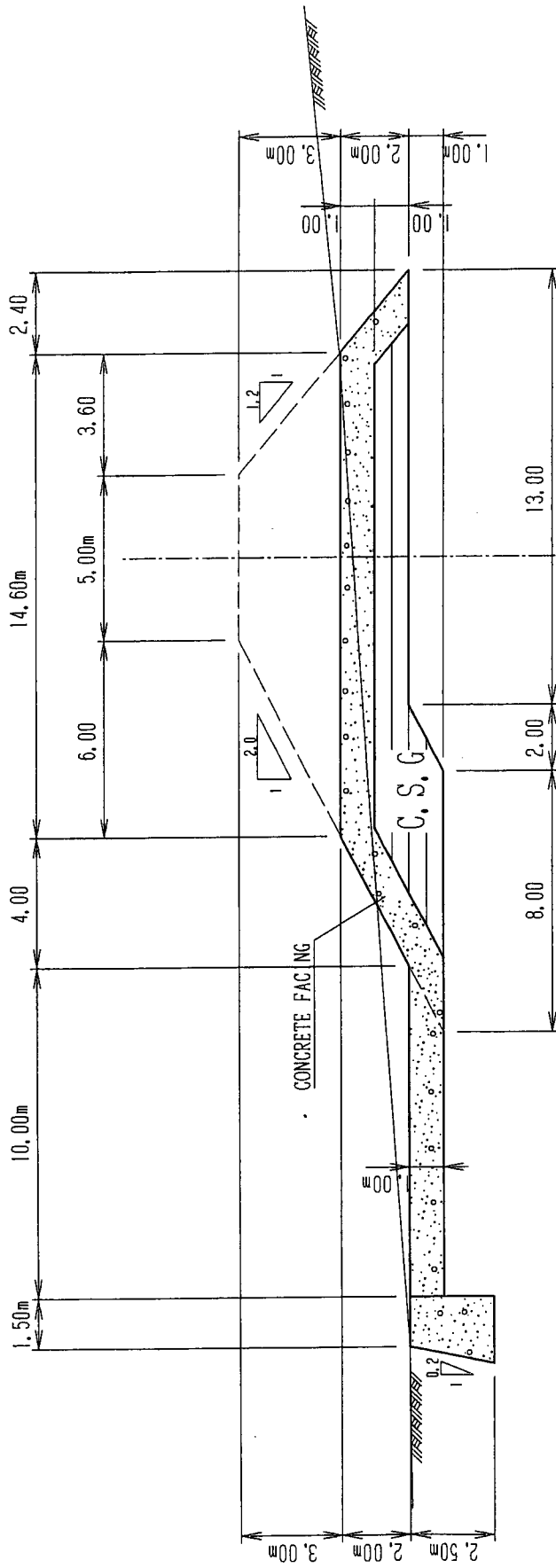


Work Item	Unit	Quantity	Unit Price (Peso)	Amount (Peso)
Concrete Facing	m ³	25.7	2,500	64,250
C.S.G. (Cemented Sand and Gravel)	m ³	144.7	400	57,880
Excavation	m ³	79.6	120	9,552
				131,682

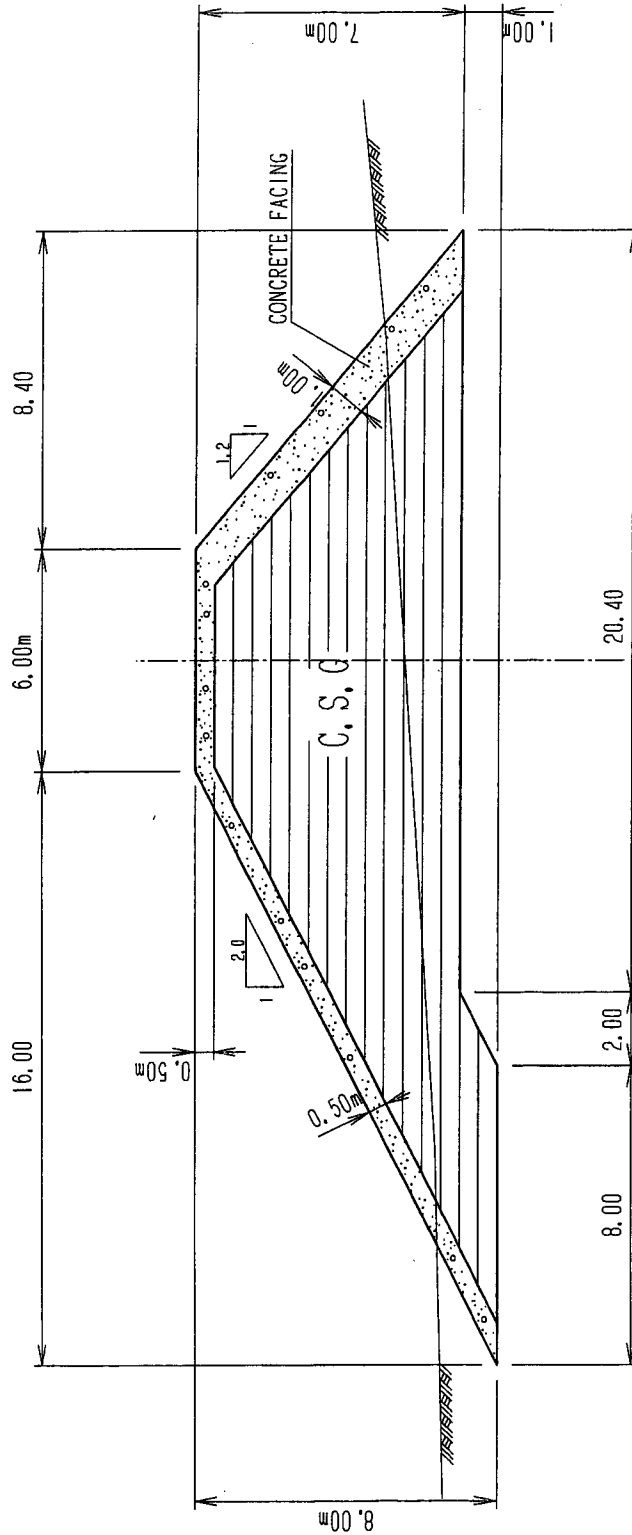
(per m)

DF II 6.3 Structure and Volume of Planning Facilities (Consolidation Dam H=6.0m-3)

CONSOLIDATION DAM
 H=5.0m (EFFECTIVE HEIGHT 3.0m)
 OVERFLOW PORTION(B)



CONSOLIDATION DAM
H=5.0m (EFFECTIVE HEIGHT 3.0m)
NON-OVERFLOW PORTION

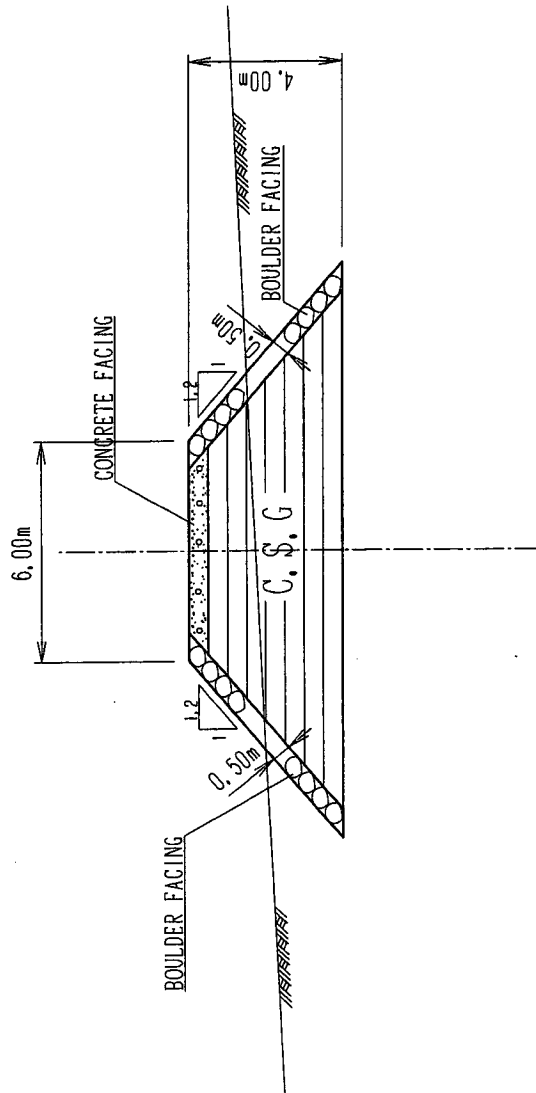


Work Item	Unit Price (Peso)	Amount (Peso)	Unit Price (Peso)	Amount (Peso)
Concrete Facing	m ³	21.9	2,500	54,750
C.S.G. (Cemented Sand and Gravel)	m ³	106.5	400	42,600
Excavation	m ³	57.0	120	6,840

(per m.)

DF II 6.6 Structure and Volume of Planning Facilities (Consolidation Dam H=5.0m-3)

COSOLIDATION DAM H=4.0m (EFFECTIVE HIGHT)

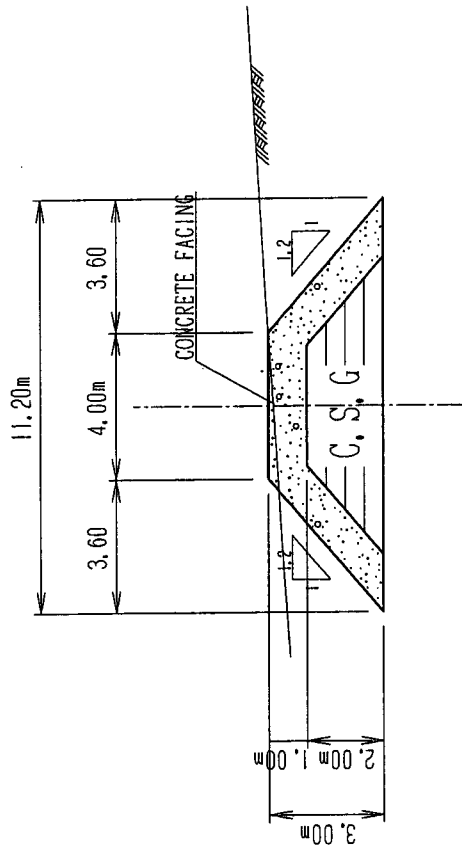


Work Item	Unit	Quantity	Unit Price (Peso)	Amount (Peso)
Boulder Facing	m ³	6.2	2,000	12,400
C.S.G. (Cemented Sand and Gravel)	m ³	34.4	400	13,760
Excavation	m ³	45.0	120	5,400
				31,560

(per m)

DF II 6.7 Structure and Volume of Planning Facilities (Consolidation Dam H=4.0m)

GROUND SILL

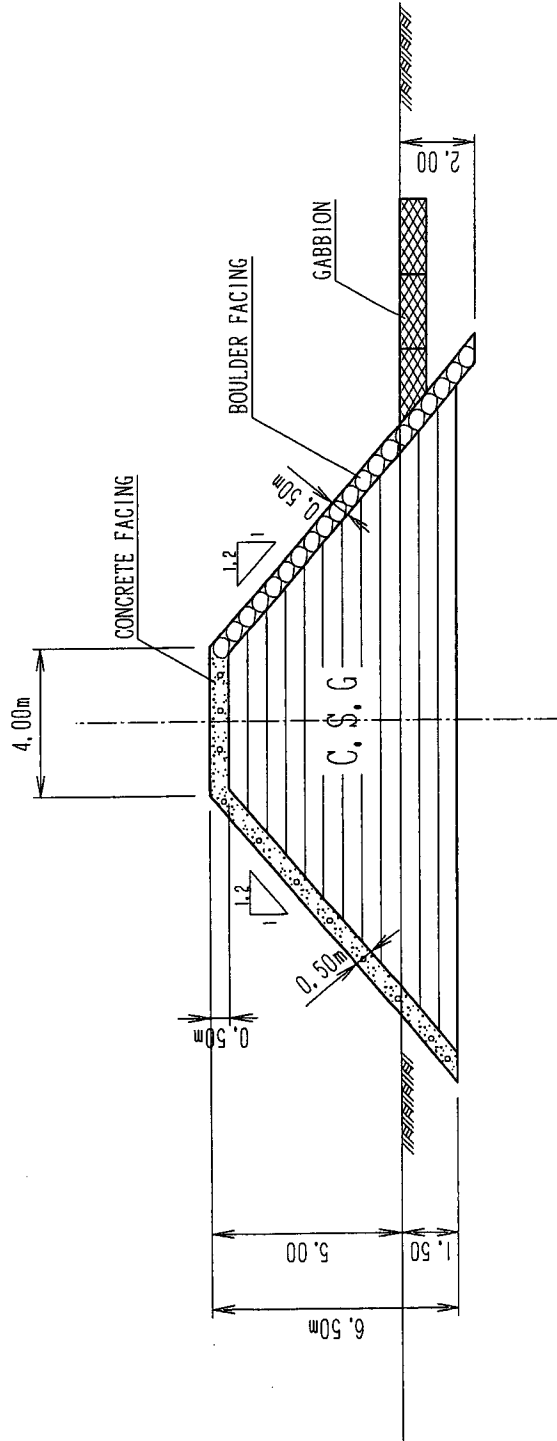


Work Item	Unit	Quantity	Unit Price (Peso)	Amount (Peso)
Concrete Facing	m ³	11.4	2,500	28,500
C.S.G. (Cemented Sand and Gravel)	m ³	11.4	400	4,560
Excavation	m ³	45.3	120	5,436
				38,496

(per m)

DF II 6.8 Structure and Volume of Planning Facilities (Ground Sill)

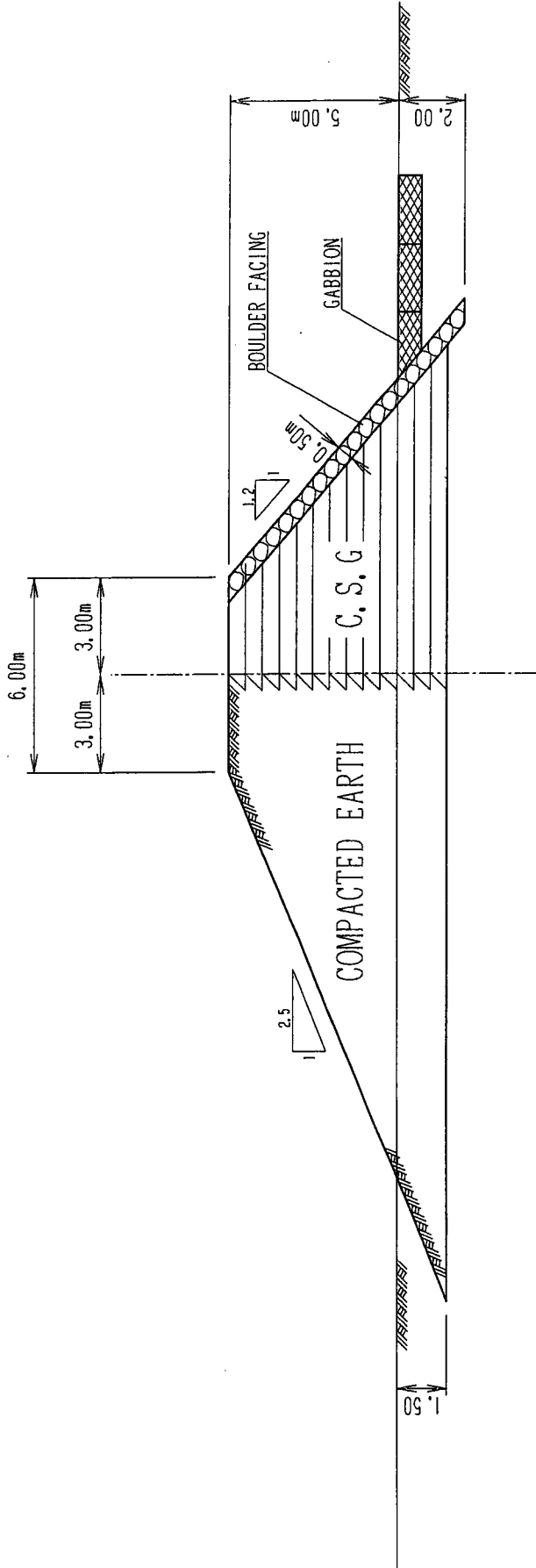
SPUR DIKE (A)



Work Item	Unit	Quantity	Unit Price (Peso)	Amount (Peso)
Boulder Facing	m ³	5.5	2,000	11,000
Concrete Facing	m ³	6.6	2,500	16,500
C.S.G. (Cemented Sand and Gravel)	m ³	65.0	400	26,000
Excavation	m ³	33.0	120	3,960
Gabion Mattress, PVC coated wires	m ³	3.0	1,500	4,500
				61,960

DF II 6.9 Structure and Volume of Planning Facilities (Spur Dike A)

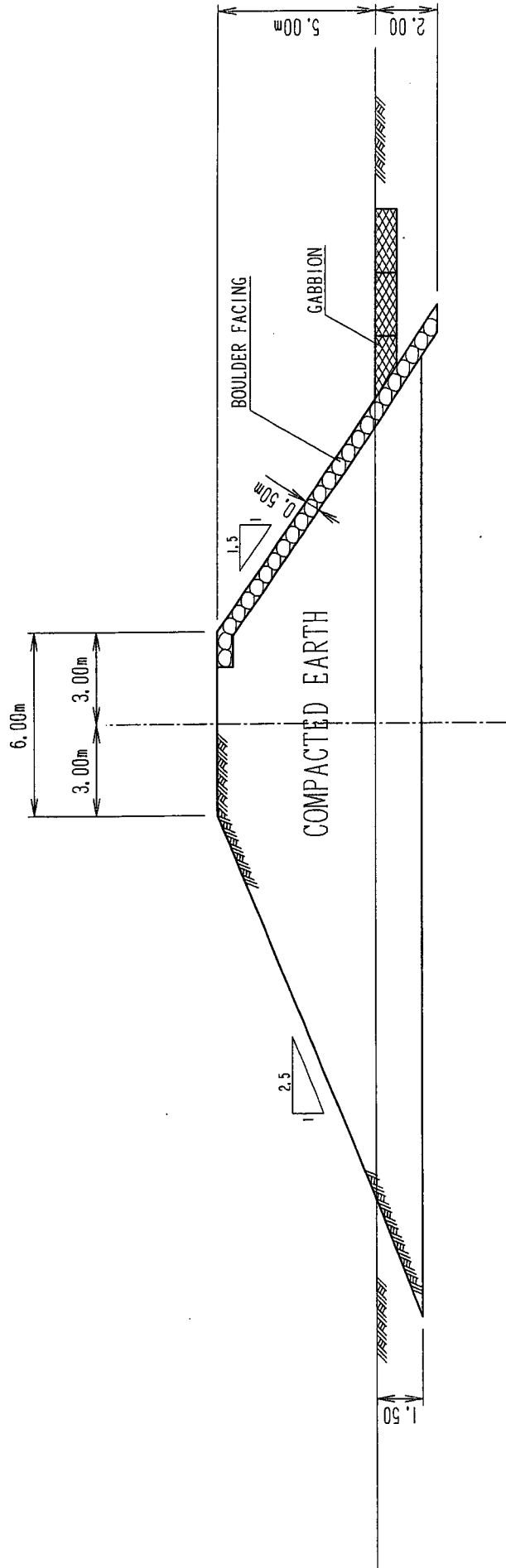
SPUR DIKE (B)



Work Item	Unit	Quantity	Unit Price (Peso)	Amount (Peso)
Boulder Facing	m ³	5.5	2,000	11,000
C.S.G. (Cemented Sand and Gravel)	m ³	39.8	400	15,920
Embankment	m ³	72.3	200	14,460
Excavation	m ³	48.0	120	5,760
Gabion Mattress, PVC coated wires	m ³	3.0	1,500	4,500
				51,640

(per m)

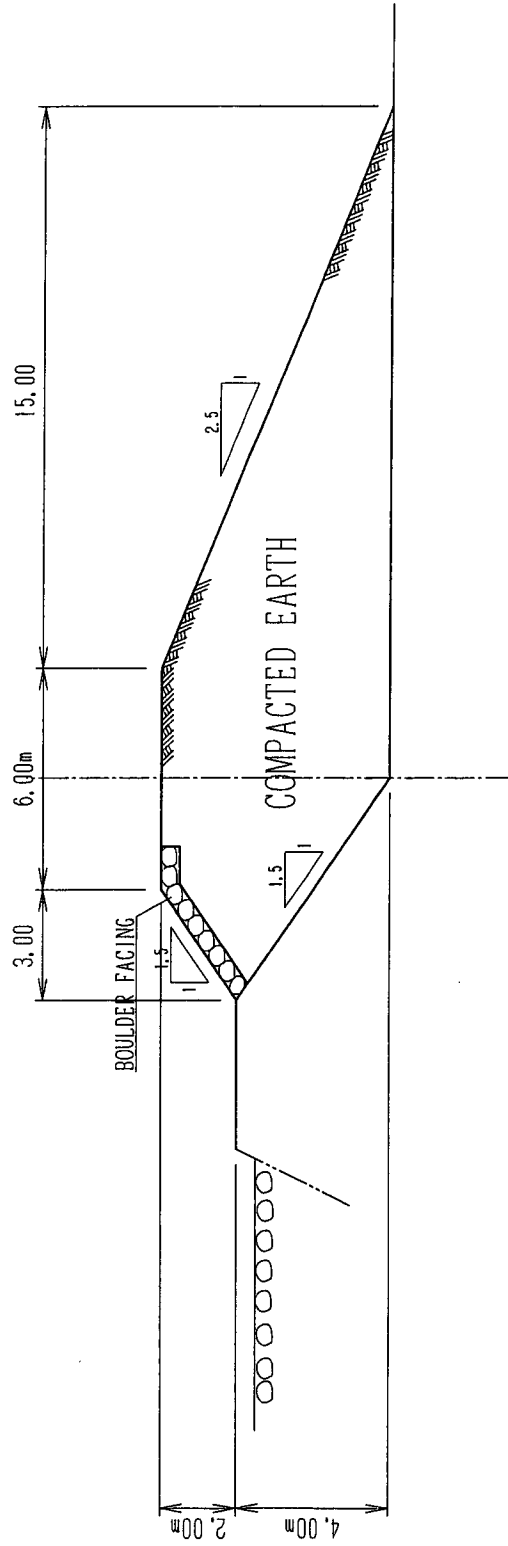
SPUR DIKE (C)



Work Item	Unit	Quantity	Unit Price (Peso)	Amount (Peso)
Boulder Facing	m ³	6.3	2,000	12,600
Embankment	m ³	117.6	200	23,520
Excavation	m ³	51.0	120	6,120
Gabion Mattress, PVC coated wires	m ³	3.0	1,500	4,500
				46,740

(per m)

SPUR DIKE (D)

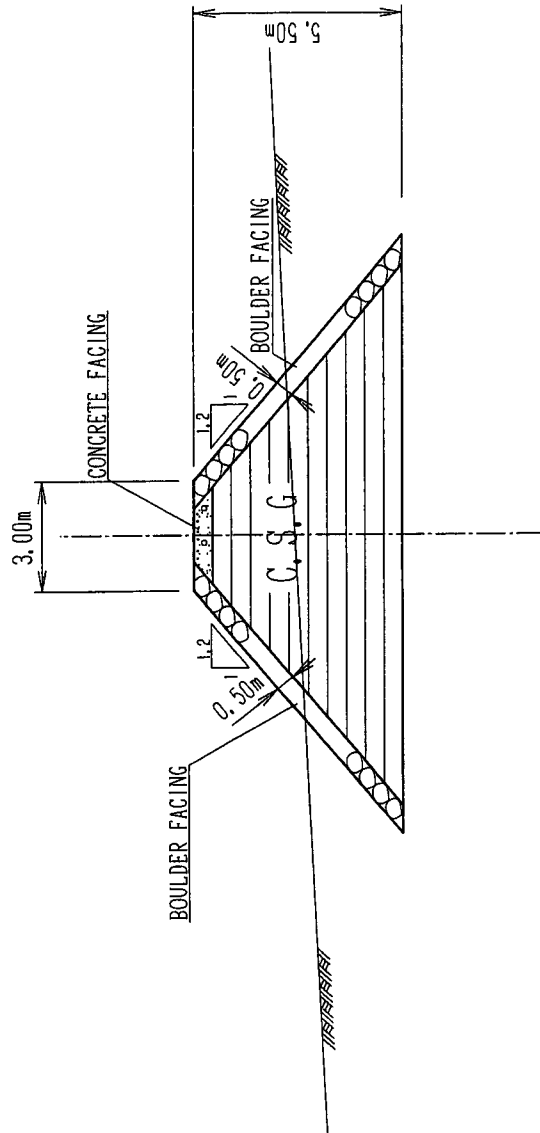


(per m)

Work Item	Unit	Quantity	Unit Price (Peso)	Amount (Peso)
Boulder Facing	m ³	2.3	2,000	4,600
Embankment	m ³	82.2	200	16,440
				21,040

DF II 6.12 Structure and Volume of Planning Facilities (Spur Dike D)

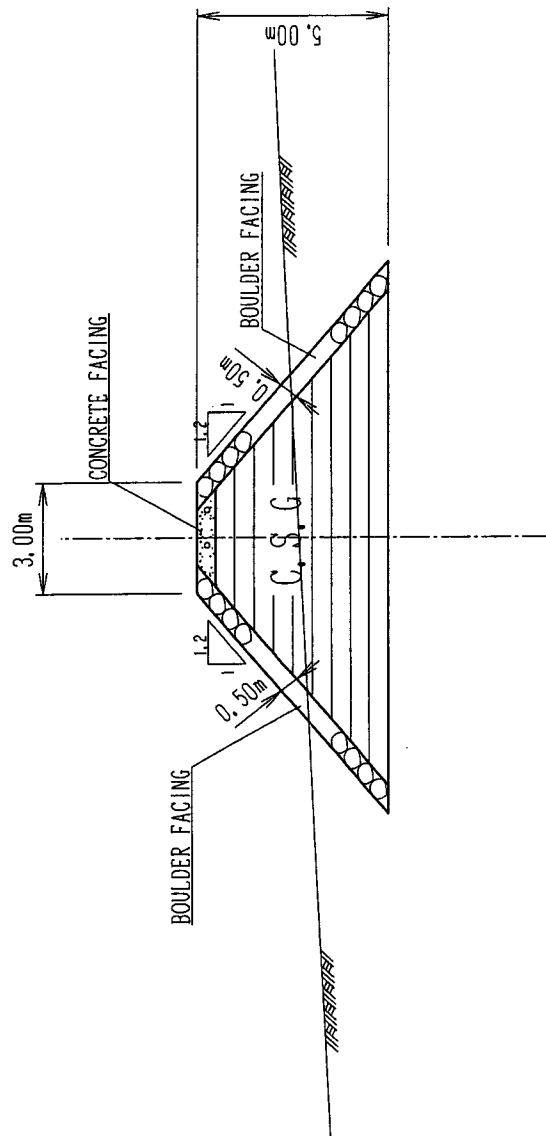
TRAINING DIKE H=5.5m



Work Item	Unit	Quantity	Unit Price (Peso)	Amount (Peso)	(per m)
Boulder Facing	m ³	8.6	2,000	17,200	
Concrete Facing	m ³	1.0	2,500	2,500	
C.S.G. (Cemented Sand and Gravel)	m ³	43.2	400	17,280	
Excavation	m ³	36.4	120	4,368	
				41,348	

DF II 6.13 Structure and Volume of Planning Facilities (Training Dike H=5.5m)

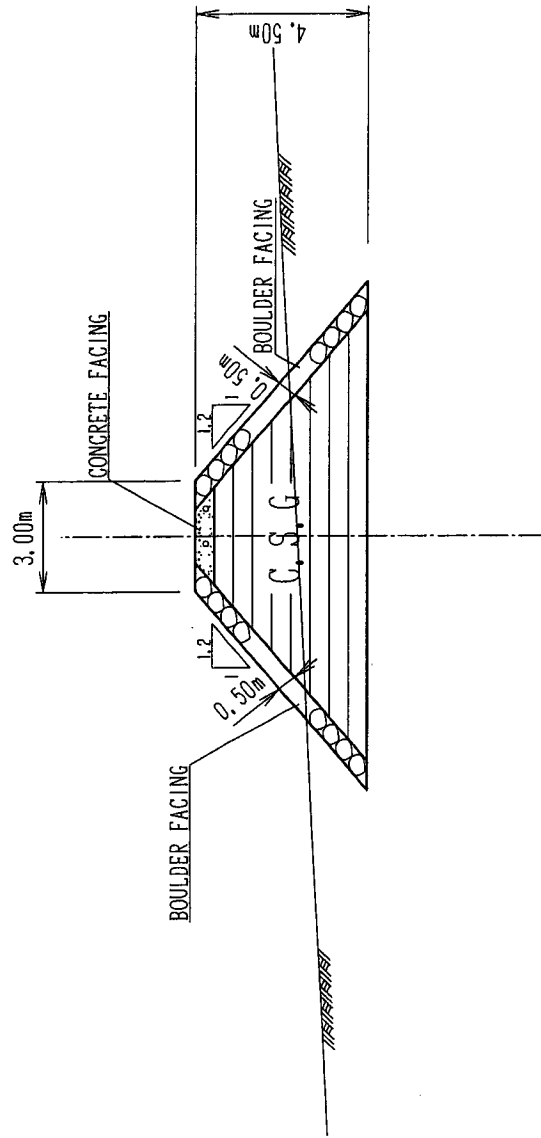
TRAINING DIKE H=5.0m



(per m)

Work Item	Unit	Quantity	Unit Price (Peso)	Amount (Peso)
Boulder Facing	m ³	7.8	2,000	15,600
Concrete Facing	m ³	1.0	2,500	2,500
C.S.G. (Cemented Sand and Gravel)	m ³	36.2	400	14,480
Excavation	m ²	34.0	120	4,080
				36,660

TRAINING DIKE H=4.5m



Work Item	Unit	Quantity	Unit Price (Peso)	Amount (Peso)
Boulder Facing	m ³	7.0	2,000	14,000
Concrete Facing	m ³	1.0	2,500	2,500
C.S.G. (Cemented Sand and Gravel)	m ³	29.8	400	11,920
Excavation	m ³	31.6	120	3,792
				32,212

(per m)

DF II 6.15 Structure and Volume of Planning Facilities (Training Dike H=4.5m)