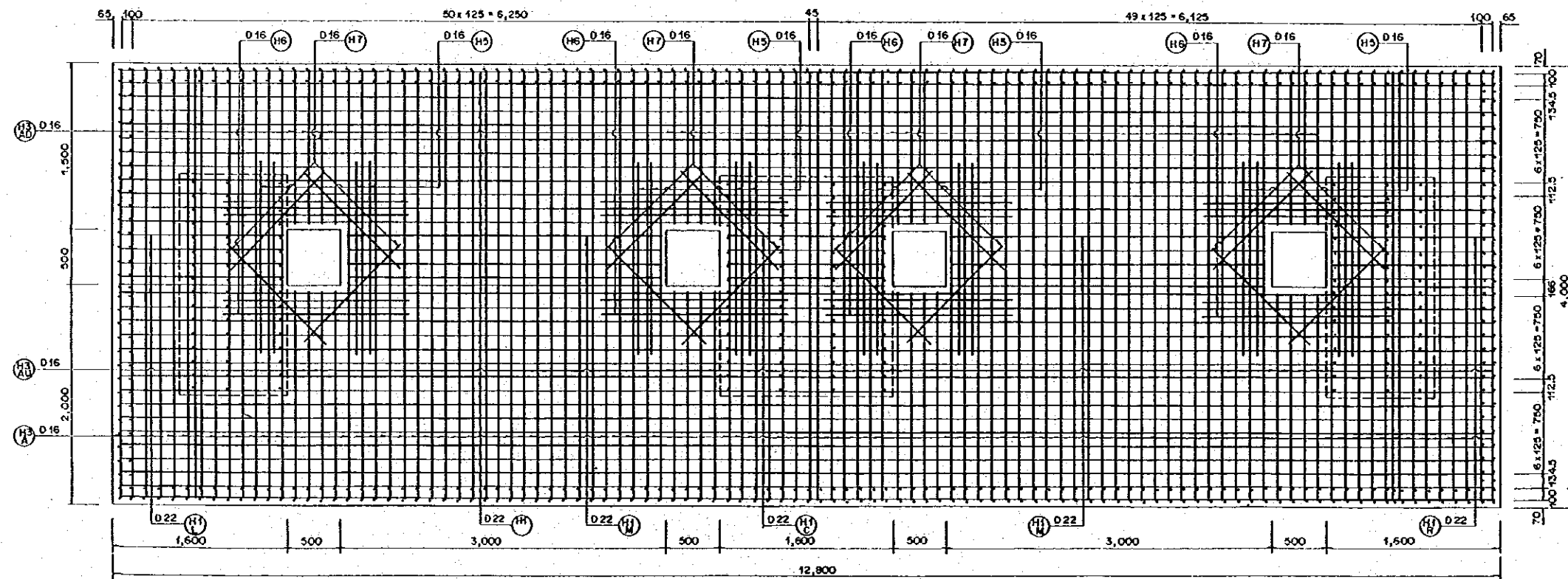


SECTION A - A

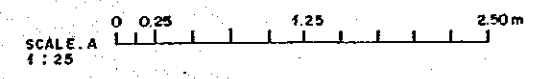
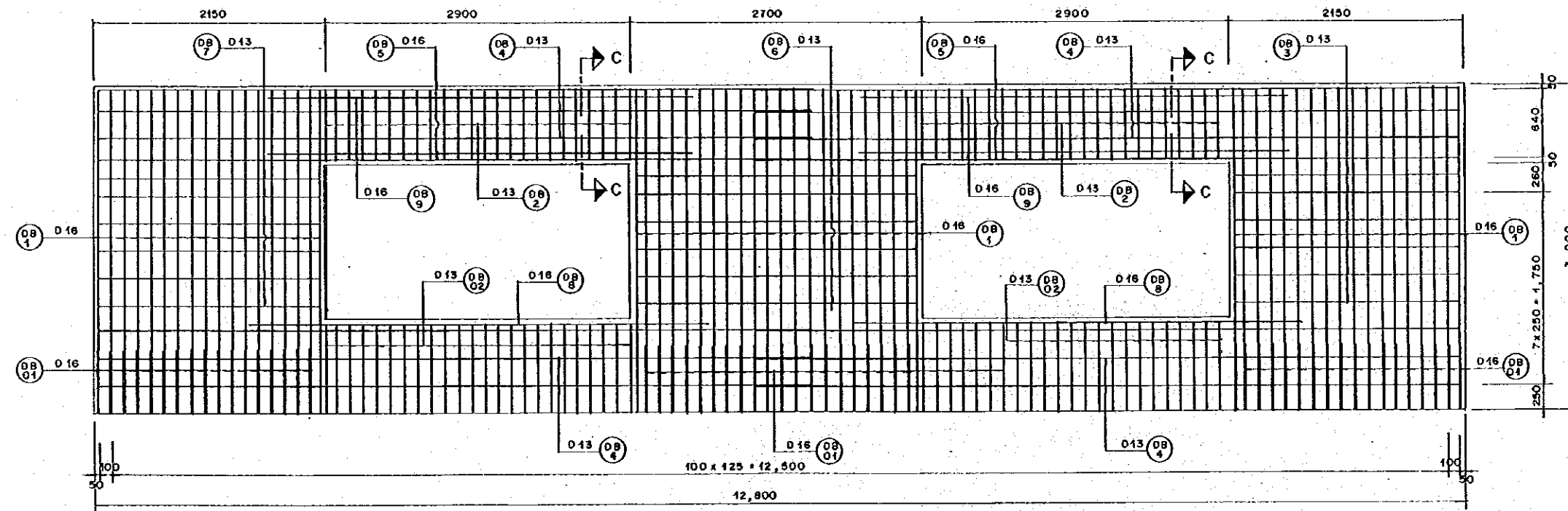
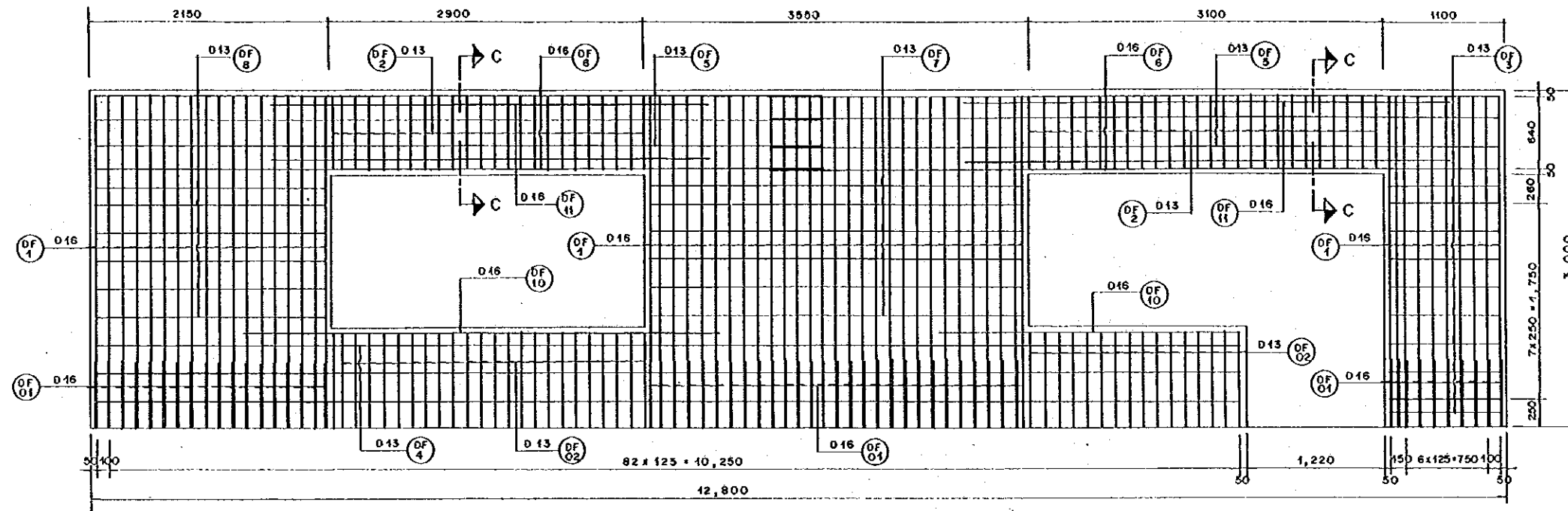


TOP OF FLOOR

SCALE 0 0.25 1.25 2.50 m
1:25

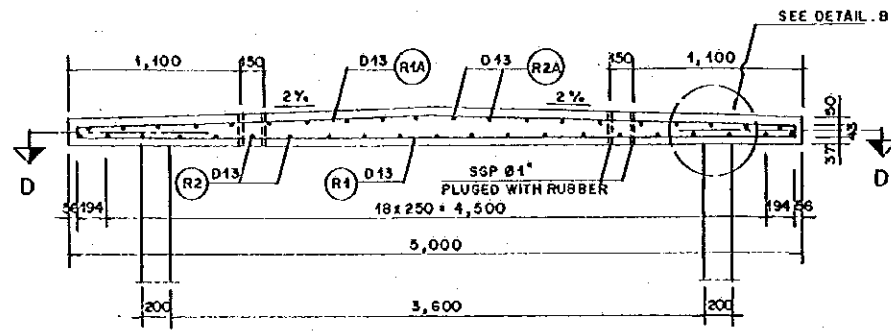
NO.	DATE	REVISIONS	ORGANIZED	DESIGNED	APPROVED

THE REPUBLIC OF INDONESIA MINISTRY OF PUBLIC WORKS DIRECTORATE GENERAL OF WATER RESOURCES DEVELOPMENT AND DIRECTORATE GENERAL OF HUMAN SETTLEMENT		PROVINCE CENTRAL JAWA
JATONSRIKUNTA FLOOD CONTROL PROJECT COMPONENT : URBAN DRAINAGE SYSTEM IMPROVEMENT ASIN PUMPING STATION GATE REINFORCING BAR ARRANGEMENT GATE CONTROL HOUSE (1/4)		PROJECT NAME FLOOD CONTROL, URBAN DRAINAGE AND WATER RESOURCES DEVELOPMENT IN SEMARANG IN THE REPUBLIC OF INDONESIA
JAPAN INTERNATIONAL COOPERATION AGENCY CITY ENGINEERING CO., LTD. IN ASSOCIATION WITH PACIFIC CONSULTANTS INTERNATIONAL AND TAIKOO INTERNATIONAL P.C.		DISTRICT SEMARANG CITY
DESIGNED CHECKED APPROVED	DATE CONTRACT NO.	DRAWING NO. U - P2 - G - CI - 9 SHEET NO. 180

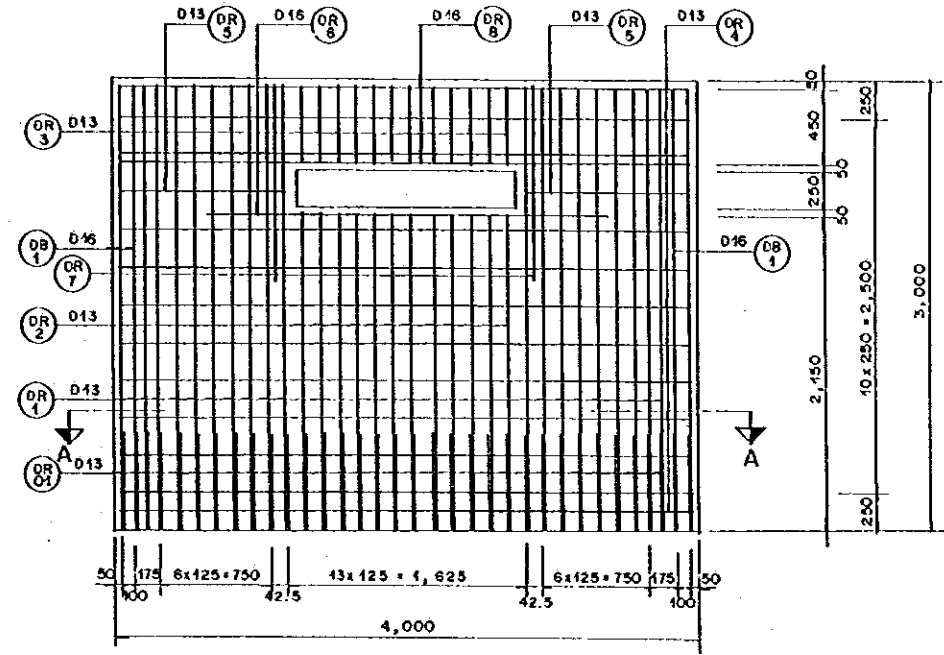


NO.	DATE	REVISIONS	ORIGINATED	DESIGNED	APPROVED

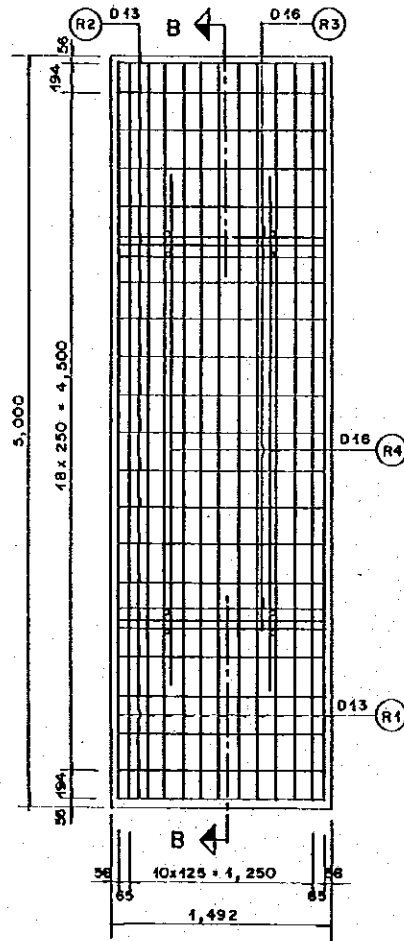
THE REPUBLIC OF INDONESIA MINISTRY OF PUBLIC WORKS DIRECTORATE GENERAL OF WATER RESOURCES DEVELOPMENT AND DIRECTORATE GENERAL OF URBAN SETTLEMENT		PROVINCE CENTRAL JAVA
JATUNGBELU FLOOD CONTROL PROJECT COMPONENT : URBAN DRAINAGE SYSTEM IMPROVEMENT ASIN PUMPING STATION GATE REINFORCING BAR ARRANGEMENT GATE CONTROL HOUSE (2/4)		PROJECT NAME FLOOD CONTROL, URBAN DRAINAGE AND WATER RESOURCES DEVELOPMENT IN SEMARANG BY THE REPUBLIC OF INDONESIA
SAFARI INTERNATIONAL COOPERATION AGENCY CTE ENGINEERING CO., LTD. IN ASSOCIATION WITH TAJIK CONSULTANTS INTERNATIONAL AND FARO INTERNATIONAL INC.		DISTRICT SEMARANG CITY
DESIGNED CHECKED CHERY OF PLANNING AND DESIGN	APPROVED PROJECT MANAGER	DRAWING NO. U - P2 - 0 - C1 - 10 SHEET NO. 181 DATE CONTRACT NO.



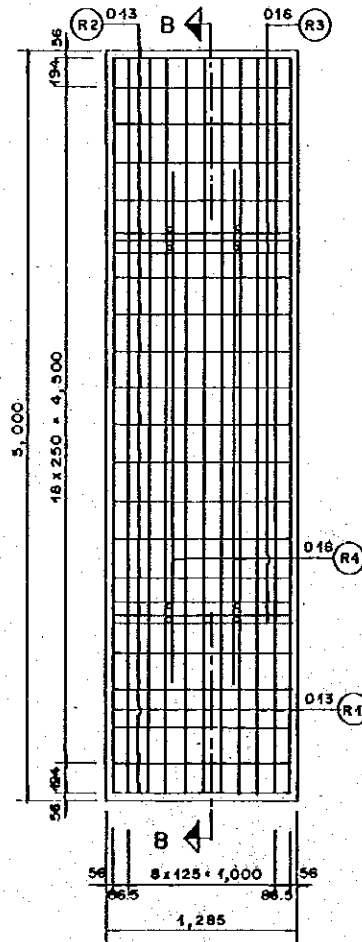
SECTION B-B
SCALE . A



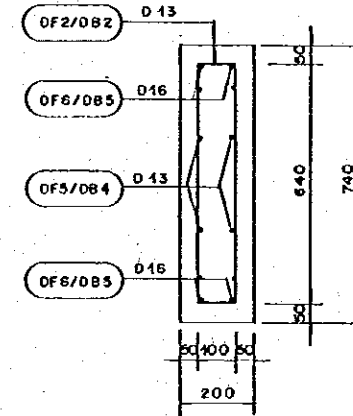
RIGHT AND LEFT WALL
SCALE . A



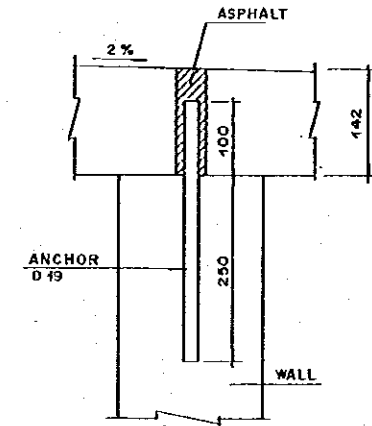
SECTION D-D (ROOF . A)
SCALE . A



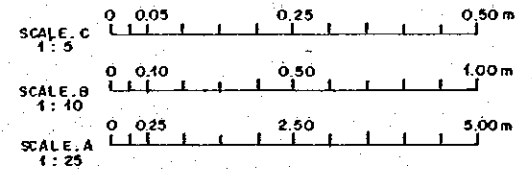
SECTION D-D (ROOF . B)
SCALE . A



SECTION C-C
SCALE . B



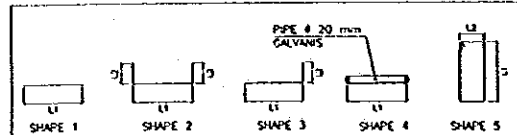
DETAIL . B
SCALE . C



NO.	DATE	REVISIONS	DESIGNED	CHECKED	APPROVED

THE REPUBLIC OF INDONESIA MINISTRY OF PUBLIC WORKS DIRECTORATE GENERAL OF WATER RESOURCES DEVELOPMENT AND DIRECTORATE GENERAL OF URBAN SETTLEMENT		PROVINCE CENTRAL JAWA
JATUNINGRUK FLOOD CONTROL PROJECT COMPONENT : URBAN DRAINAGE SYSTEM IMPROVEMENT ASIN PUMPING STATION GATE REINFORCING BAR ARRANGEMENT GATE CONTROL HOUSE (13/4)		PROJECT NAME FLOOD CONTROL, URBAN DRAINAGE AND WATER RESOURCES DEVELOPMENT IN SEMARANG IN THE REPUBLIC OF INDONESIA
DAJAN INTERNATIONAL COOPERATION AGENCY CII ENGINEERING CO., LTD. in association with PACIFIC CONSULTANTS INTERNATIONAL and PANDI INDONESIA CONSULTING INC.		DISTRICT SEMARANG CITY
DESIGNED CHECKED DATE		DRAWING NO. U-P2-6-C1-11 SHEET NO. 102
APPROVED CHIEF OF PLANNING AND DESIGN PROJECT MANAGER		CONTRACT NO.

BAR BENDING SCHEDULE

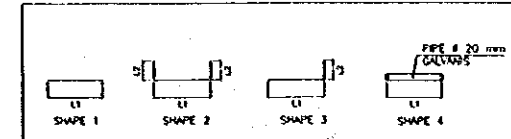


TYPE	SHAPE	DIA (mm)	NUMBER	LENGTH (mm)	L1 (mm)	L2 (mm)	L3 (mm)
RIGHT WALL							
DR1	1	13	38	2960	2960		
DR2	1	13	24	2160	2160		
DR3	5	13	15	1230	450	100	
DR4	2	13	22	4100	3900	100	
DR5	3	13	4	1250	1150	100	
DR6	1	16	2	2800	2800		
DR7	1	16	4	1266	1266		
DR8	2	16	4	4100	3900	100	
LEFT WALL							
DL1	1	13	38	2960	2960		
DL2	1	13	24	2160	2160		
DL3	5	13	15	1230	450	100	
DL4	2	13	22	4100	3900	100	
DL5	3	13	4	1250	1150	100	
DL6	1	16	2	2800	2800		
DL7	1	16	4	1256	1256		
DL8	2	16	4	4100	3900	100	
FRONT WALL							
DF1	1	16	114	2960	2960		
DF2	5	13	54	1610	640	100	
DF3	2	13	20	1200	1000	100	
DF4	2	13	8	10580	10380	100	
DF5	3	13	8	6700	6600	100	
DF6	3	16	8	6750	6650	100	
DF7	2	13	12	3650	3450	100	
DF8	2	13	12	2250	2050	100	
DF9	1	16	2	4100	4100		
DF10	3	16	2	2530	2430	100	
DF11	1	16	8	4300	4300		
BACK WALL							
DB1	1	16	116	2960	2960		
DB2	5	13	50	1610	640	100	
DB3	2	13	12	2250	2050	100	
DB4	3	13	20	6700	6600	100	
DB5	3	16	8	6750	6650	100	
DB6	2	13	12	2800	2600	100	
DB7	2	13	12	2250	2050	100	
DB8	1	16	4	4100	4100		
DB9	1	16	8	4100	4100		

BAR WEIGHT

TYPE	DIA (mm)	LENGTH (mm)	NUMBER	WEIGHT/m (kg l/m)	WEIGHT/BAR (kg l)	WEIGHT (kg l)	SHAPE
RIGHT WALL							
DR1	13	2960	38	1.04	3.078	117	---
DR2	13	2160	24	1.04	2.246	54	---
DR3	13	1230	15	1.04	1.279	19	---
DR4	13	4100	22	1.04	4.264	94	---
DR5	13	1250	4	1.04	1.3	5	---
DR6	16	2800	2	1.58	4.424	9	---
DR7	16	1266	4	1.58	2	8	---
DR8	16	4100	4	1.58	6.478	26	---
LEFT WALL							
DL1	13	2960	38	1.04	3.078	117	---
DL2	13	2160	24	1.04	2.246	54	---
DL3	13	1230	15	1.04	1.279	19	---
DL4	13	4100	22	1.04	4.264	94	---
DL5	13	1250	4	1.04	1.3	5	---
DL6	16	2800	2	1.58	4.424	9	---
DL7	16	1266	4	1.58	2	8	---
DL8	16	4100	4	1.58	6.478	26	---
FRONT WALL							
DF1	16	2960	114	1.58	4.677	533	---
DF2	13	1610	54	1.04	1.674	90	---
DF3	13	1200	20	1.04	1.248	25	---
DF4	13	10580	8	1.04	11.003	88	---
DF5	13	6700	8	1.04	6.968	56	---
DF6	16	6750	8	1.58	10.665	85	---
DF7	13	3650	12	1.04	3.796	46	---
DF8	13	2250	12	1.04	2.34	28	---
DF9	16	4100	2	1.58	6.478	13	---
DF10	16	2530	2	1.58	3.997	8	---
DF11	16	4300	8	1.58	6.794	54	---
BACK WALL							
DB1	16	2960	116	1.58	4.677	543	---
DB2	13	1610	50	1.04	1.674	84	---
DB3	13	2250	12	1.04	2.34	28	---
DB4	13	6700	20	1.04	8.968	139	---
DB5	16	6750	8	1.58	10.665	85	---
DB6	13	2800	12	1.04	2.912	35	---
DB7	13	2250	12	1.04	2.340	28	---
DB8	16	4100	4	1.58	6.478	26	---
DB9	16	4100	8	1.58	6.478	52	---

BAR BENDING SCHEDULE



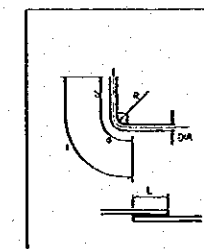
TYPE	SHAPE	DIA (mm)	NUMBER	LENGTH (mm)	L1 (mm)	L2 (mm)	L3 (mm)
ROOF A							
R1	1	13	13	4900	4900		
R1A	1	13	13	4900	4900		
R2	1	13	21	1392	1392		
R2A	1	13	21	1392	1392		
R3	1	16	4	1392	1392		
R3A	1	16	4	1392	1392		
R4	1	16	4	3600	3600		
R4A	1	16	4	3600	3600		
PIPE	4	21.7	4	150	150		
ROOF B							
R1	1	13	11	4900	4900		
R1A	1	13	11	4900	4900		
R2	1	13	21	1185	1185		
R2A	1	13	21	1185	1185		
R3	1	16	4	1185	1185		
R3A	1	16	4	1185	1185		
R4	1	16	4	3600	3600		
R4A	1	16	4	3600	3600		
PIPE	4	21.7	4	150	150		

BAR WEIGHT

TYPE	DIA (mm)	LENGTH (mm)	NUMBER	WEIGHT/m (kg l/m)	WEIGHT/BAR (kg l)	WEIGHT (kg l)	SHAPE
ROOF A							
R1	13	4900	13	1.04	5.096	66	---
R1A	13	4900	13	1.04	5.096	66	---
R2	13	1392	21	1.04	1.448	30	---
R2A	13	1392	21	1.04	1.448	30	---
R3	16	1392	4	1.58	2.199	9	---
R3A	16	1392	4	1.58	2.199	9	---
R4	16	3600	4	1.58	5.688	23	---
R4A	16	3600	4	1.58	5.688	23	---
PIPE	21.7	150	4	1.10	0.165	1	---
ROOF B							
R1	13	4900	11	1.04	5.096	56	---
R1A	13	4900	11	1.04	5.096	56	---
R2	13	1185	21	1.04	1.232	26	---
R2A	13	1185	21	1.04	1.232	26	---
R3	16	1185	4	1.58	1.872	7	---
R3A	16	1185	4	1.58	1.872	7	---
R4	16	3600	4	1.58	5.688	23	---
R4A	16	3600	4	1.58	5.688	23	---
PIPE	21.7	150	4	1.10	0.165	1	---

Note : NUMBER OF ROOF A-4
NUMBER OF ROOF B-8

BAR BENDING DETAIL

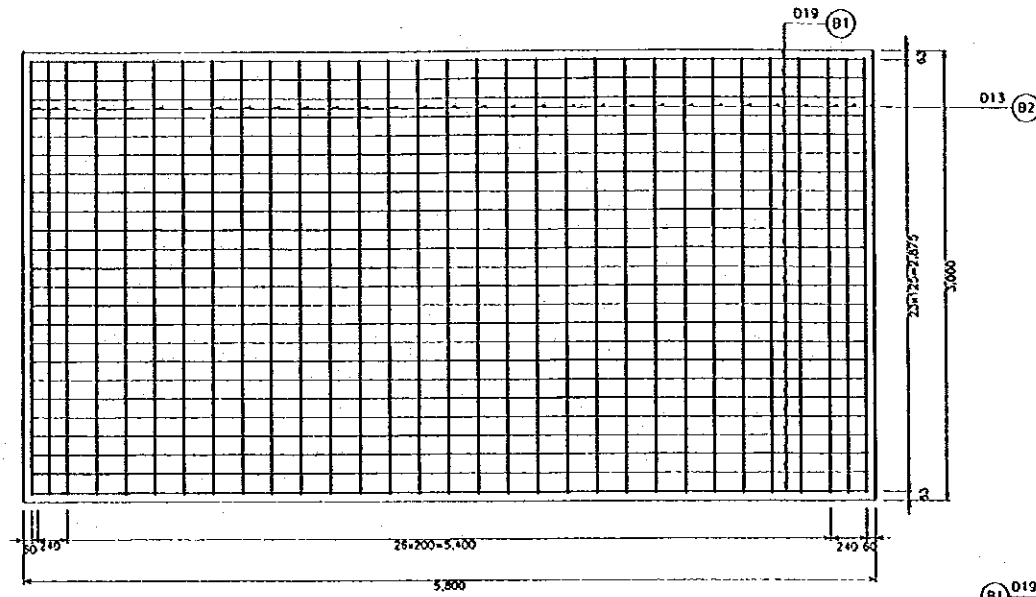
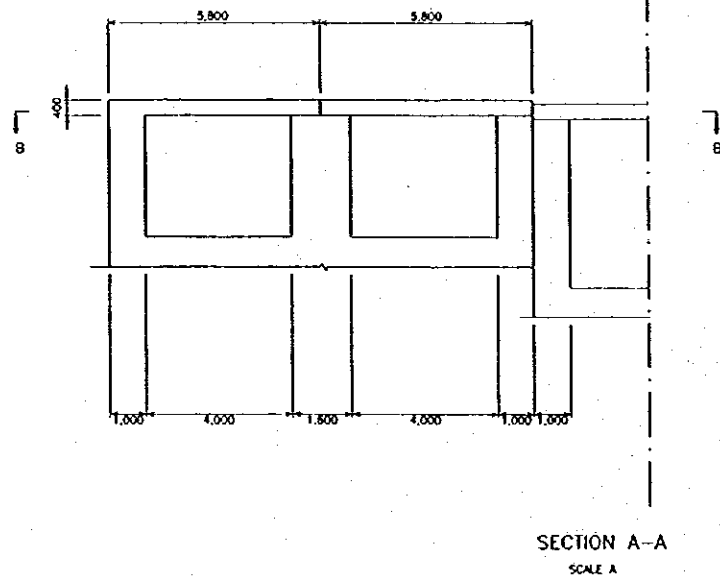
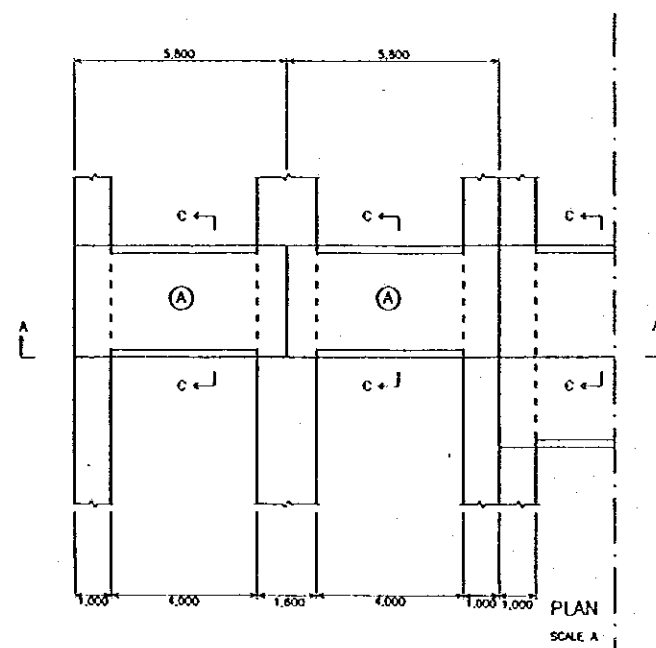


DIA	a	b	l	R	OVERLAP	
					L	WEIGHT (Kg l)
013	66	156	222	42	455	0.453
016	75	193	268	48	560	0.874
019	94	236	330	60	665	1.496
022	104	272	376	66	770	2.341
025	122	306	428	78	875	3.483
029	141	349	490	90	1015	5.116
032	151	385	536	96	1120	6.978

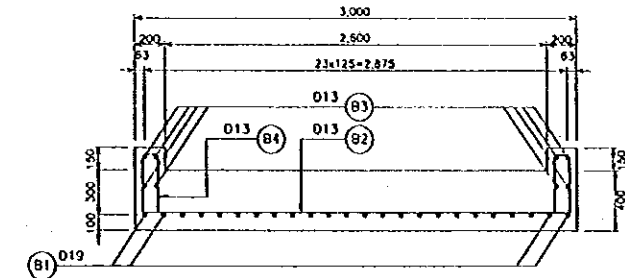
NO.	DATE	REVISIONS	ORIGINATED	DESIGNED	APPROVED

THE REPUBLIC OF INDONESIA MINISTRY OF PUBLIC WORKS DIRECTORATE GENERAL OF WATER RESOURCES DEVELOPMENT AND DIRECTORATE GENERAL OF RUMAN SETTLEMENT IRATUNNELINA FLOOD CONTROL PROJECT COMPONENT : URBAN DRAINAGE SYSTEM DEVELOPMENT ASIN PUMPING STATION GATE REINFORCING BAR ARRANGEMENT GATE CONTROL HOUSE (44)-REINFORCING BAR BENDING SCHEDULE		PROJECT CENTRAL JAWA PROJECT NAME FLOOD CONTROL, URBAN DRAINAGE AND WATER RESOURCES DEVELOPMENT IN IRATUNNELINA IN THE PROVINCE OF BOGOR CONTRACT SEMARANG CITY DRAWING NO. U-P2-Q-C-12 SHEET NO. 183 DATE CONTRACT NO.
JAWA INTERNATIONAL COOPERATION AGENCY PT. BANGUNAN SIAI, LTD. IN ASSOCIATION WITH PACIFIC CONSULTANTS INTERNATIONAL AND JAWA INTERNATIONAL PTE. LTD. CHECKED PROJECT MANAGER	DESIGNED CHECKED DATE	APPROVED PROJECT MANAGER

GATE PUMPING STATION



SECTION B-B
BRIDGE A
SCALE B



SECTION C-C
BRIDGE A
SCALE B

BAR BENDING SCHEDULE

SHAPE

TYPE	SHAPE	ØA (mm)	NUMBER	LENGTH (mm)	L1 (mm)	L2 (mm)	L3 (mm)	L4 (mm)	L5 (mm)	L6 (mm)	R (mm)
BRIDGE A											
B1	1	19	24	5700	5700						
B2	1	13	32	2900	2900						
B3	1	13	8	5700	5700						
B4	2	13	32	1285	400	100	400	300	65		

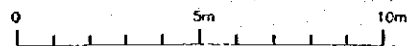
BAR WEIGHT

TYPE	ØA (mm)	LENGTH (mm)	NUMBER	WEIGHT PER M ³ (kg)	WEIGHT PER BAR (kg)	WEIGHT (kg)	SHAPE
BRIDGE A							
B1	19	5700	24	2.23	12.711	305	—
B2	13	2900	31	1.04	3.016	93	—
B3	13	5700	8	1.04	5.928	47	—
B4	13	1285	32	1.04	1.316	42	—

BAR BENDING DETAIL

ØA	a	b	c	d	e	f	g	h	i	j	k	l	m	n	o	p	q	r	s	t	u	v	w	x	y	z	OVERLAP L	WEIGHT (kg)
Ø13	66	156	222	42	455	0.453																						
Ø16	75	193	268	48	560	0.674																						
Ø19	84	236	330	60	685	1.496																						
Ø22	104	272	376	66	770	2.341																						
Ø25	122	306	428	78	875	3.483																						
Ø29	141	349	490	90	1015	5.116																						
Ø32	151	385	536	96	1120	6.978																						

SCALE A
1 : 100

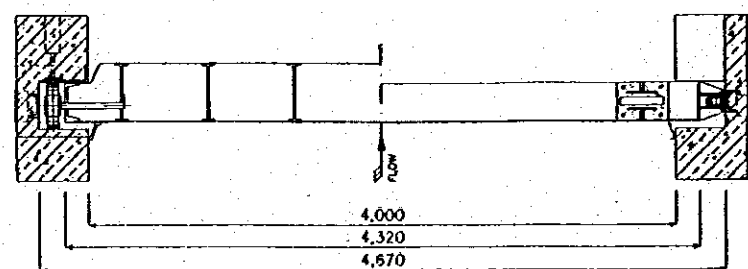
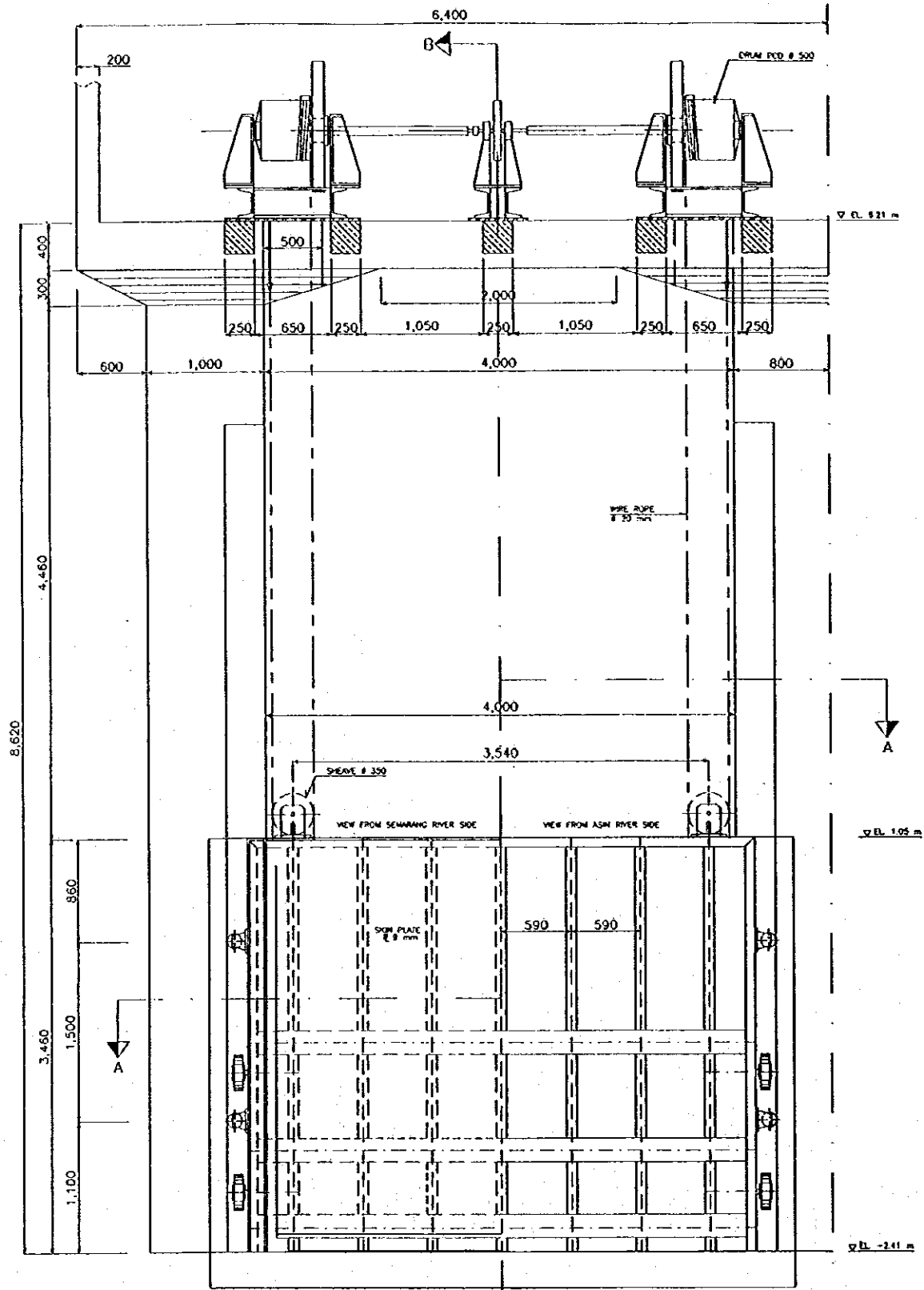


SCALE B
1 : 25

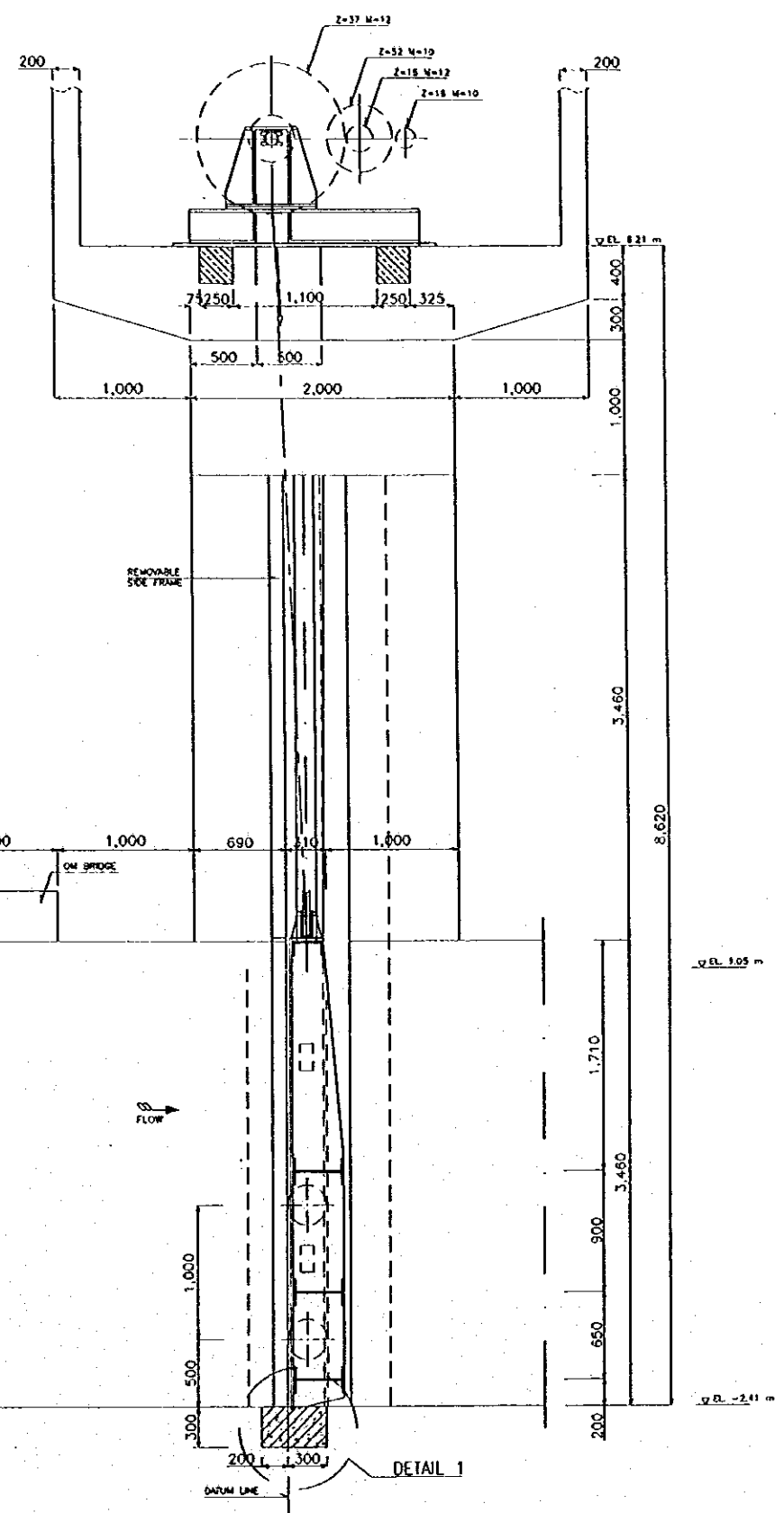


NO.	DATE	REVISION	GRADUATED	DESIGNED	APPROVED	APPROVED

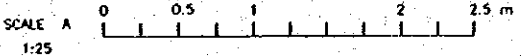
<p>THE REPUBLIC OF INDONESIA MINISTRY OF PUBLIC WORKS DIRECTORATE GENERAL OF WATER RESOURCES DEVELOPMENT AND DIRECTORATE GENERAL OF URBAN SETTLEMENT</p>		<p>PROVINCE CENTRAL JAWA</p>
<p>REJATUNIBALANA FLOOD CONTROL PROJECT COMPONENT : URBAN DRAINAGE SYSTEM IMPROVEMENT</p>		<p>PROJECT NAME FLOOD CONTROL, URBAN DRAINAGE AND WATER RESOURCES DEVELOPMENT IN SEMARANG IN THE REPUBLIC OF INDONESIA</p>
<p>ASIN PUMPING STATION GATE REINFORCING BAR ARRANGEMENT INSPECTION BUILDING</p>		<p>DISTRICT SEMARANG CITY</p>
<p>DEAN INTERNATIONAL CONSULTING AGENCY CIVIL ENGINEERING CO., LTD. IN ASSOCIATION WITH TACIFIC CONSULTANTS INTERNATIONAL AND TACSO INTERNATIONAL INC.</p>		<p>DRAWING NO. U-P2-G-CI-13 SHEET NO. 184</p>
<p>DATE OF PLANNING AND DESIGN</p>		<p>DATE</p>
<p>PROJECT MANAGER</p>		<p>CONTRACT NO.</p>



SECTION A-A
SCALE A

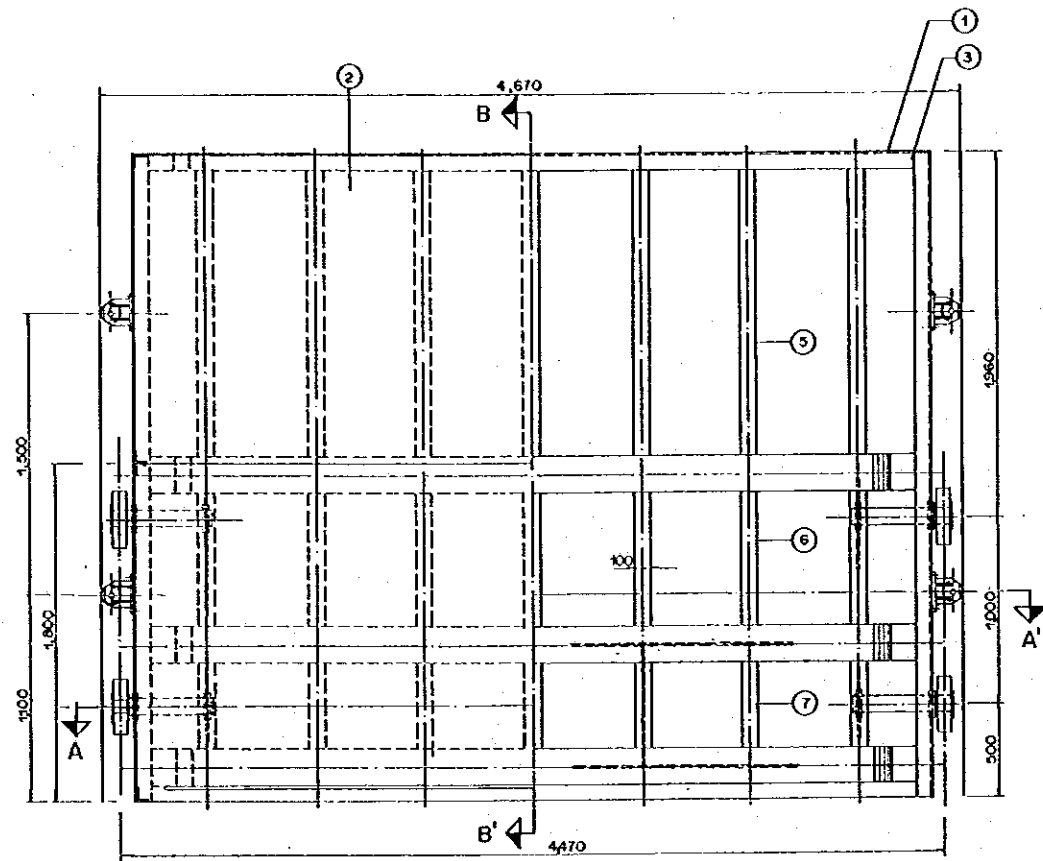


SECTION B-B
SCALE A

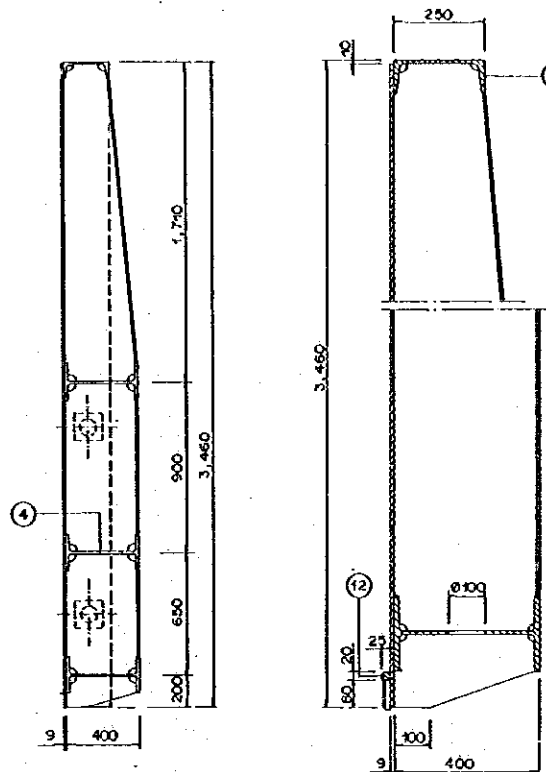


NO.	DATE	REVISION	GRADUATED	DESIGNED	APPROVED	APPROVED

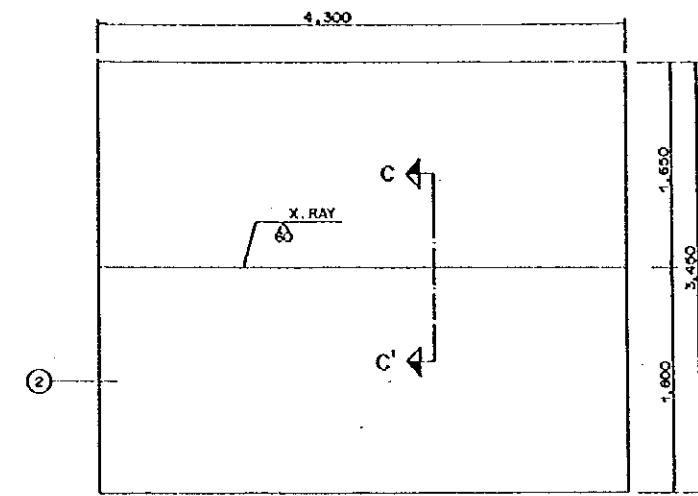
THE REPUBLIC OF INDONESIA MINISTRY OF PUBLIC WORKS DIRECTORATE GENERAL OF WATER RESOURCES DEVELOPMENT AND DIRECTORATE GENERAL OF HUMAN SETTLEMENT BATUNGKALPA FLOOD CONTROL PROJECT COMPONENT : URBAN DRAINAGE SYSTEM IMPROVEMENT ASIN PUMPING STATION GATE GENERAL ARRANGEMENT GATE		PROVINCE CENTRAL JAVA PROJECT NAME FLOOD CONTROL, URBAN DRAINAGE AND WATER RESOURCES DEVELOPMENT BY SEMARANG IN THE REPUBLIC OF INDONESIA DISTRICT SEMARANG CITY DRAWING NO. U-P2-G-Me-1 SHEET NO. 185 DATE CONTRACT NO.
JAPAN INTERNATIONAL COOPERATION AGENCY (JICA) TOKAI ENGINEERING CO., LTD. in association with YAMAGUCHI ENGINEERING INTERNATIONAL AND YAMAGUCHI INTERNATIONAL INC.	DESIGNED CHECKED PROJECT MANAGER	[Signature] [Signature]



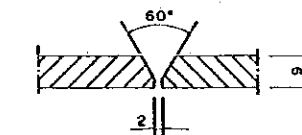
ELEVATION OF GATE LEAF
SCALE A



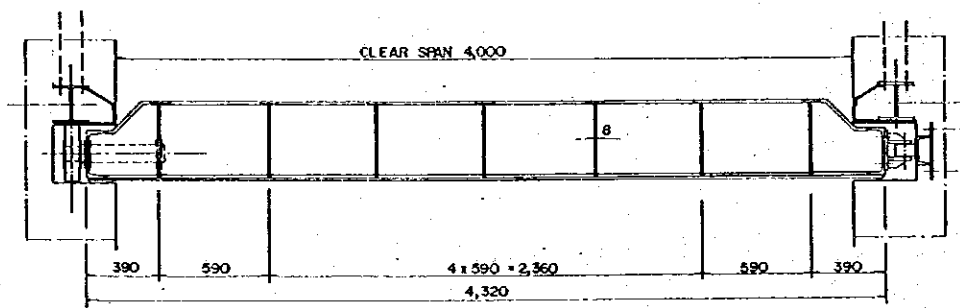
SECTION OF GATE LEAF
B - B'



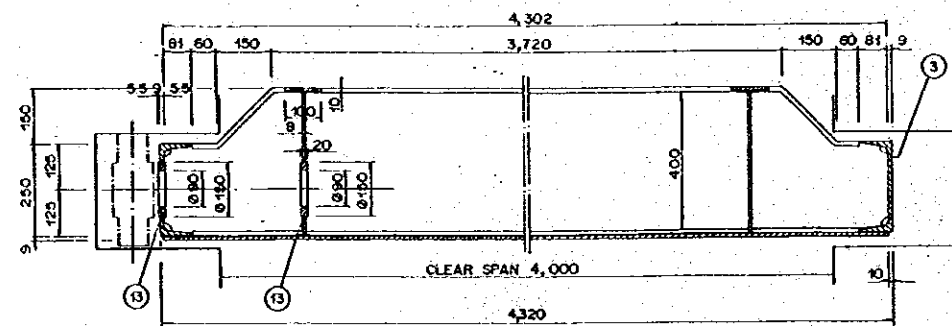
SKIN PLATE



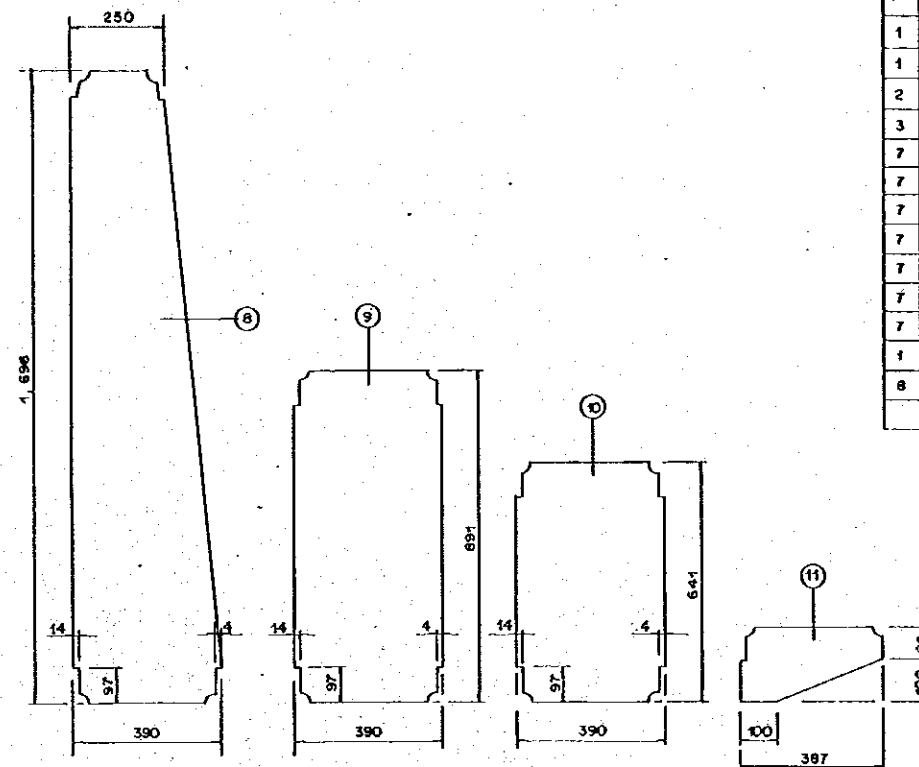
SECTION C - C'
SCALE B



(SCALE A)

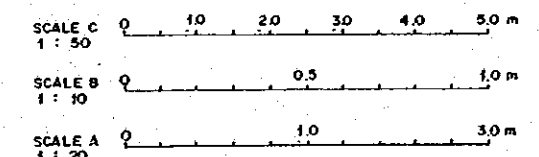


SECTION OF GATE LEAF
A - A'



DIMENSION OF GIRDERS
SCALE B

QTY	PART No.	DESCRIPTION	MATERIAL	DIMENSION	WEIGHT (Kg)	REMARKS
1	1	HORIZONTAL BEAM	SS 400	C 250		
1	2	SKIN PLATE	SS 400	R 9		
2	3	VERTICAL BEAM	SS 400	C 250		
3	4	HORIZONTAL BEAM	SS 400	H 400,200		
7	5	VERTICAL GIRDER	SS 400	R 10		
7	6	VERTICAL GIRDER	SS 400	R 10		
7	7	VERTICAL GIRDER	SS 400	R 10		
7	8	VERTICAL GIRDER	SS 400	R 8		
7	9	VERTICAL GIRDER	SS 400	R 8		
7	10	VERTICAL GIRDER	SS 400	R 8		
7	11	VERTICAL GIRDER	SS 400	R 8		
1	12	STOPPER	SS 400	R 200 x 25		
8	13	REINFORCEMENT	SS 400	Ø 150 x 20		



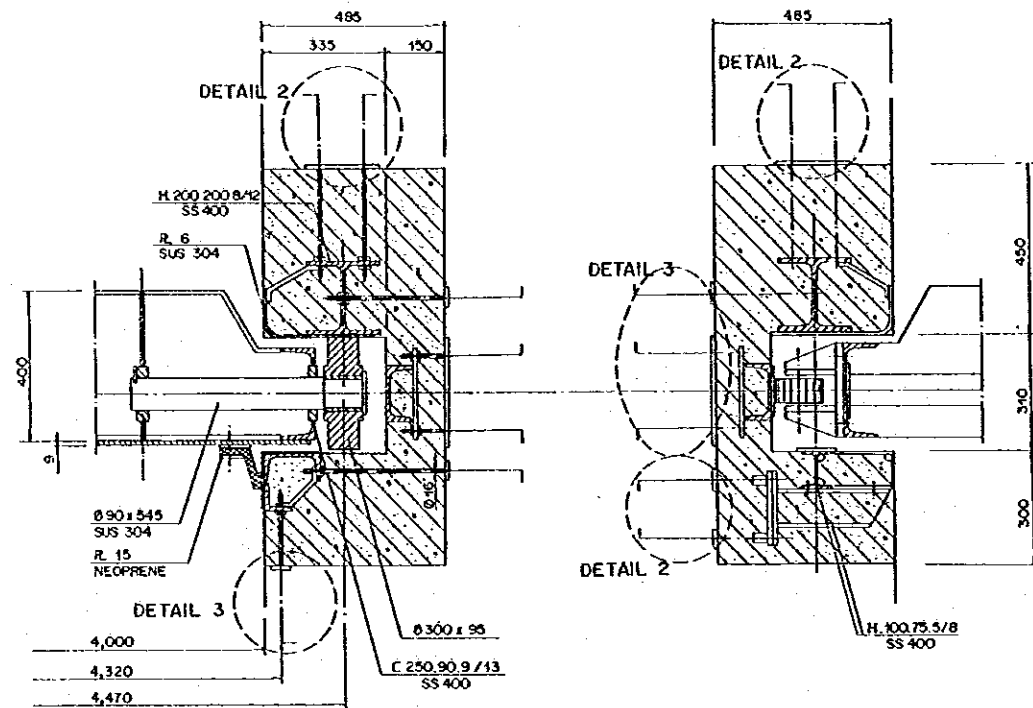
NO.	DATE	REVISIONS	ORIGINATED	DESIGNED	APPROVED

THE REPUBLIC OF INDONESIA
 MINISTRY OF PUBLIC WORKS
 DIRECTORATE GENERAL OF WATER RESOURCES DEVELOPMENT AND DIRECTORATE GENERAL OF URBAN SETTLEMENT
 JAWA BARU FLOOD CONTROL PROJECT
 COMPONENT : URBAN DRAINAGE SYSTEM IMPROVEMENT
 ASIN PUMPING STATION GATE
 DETAIL OF GATE LEAF

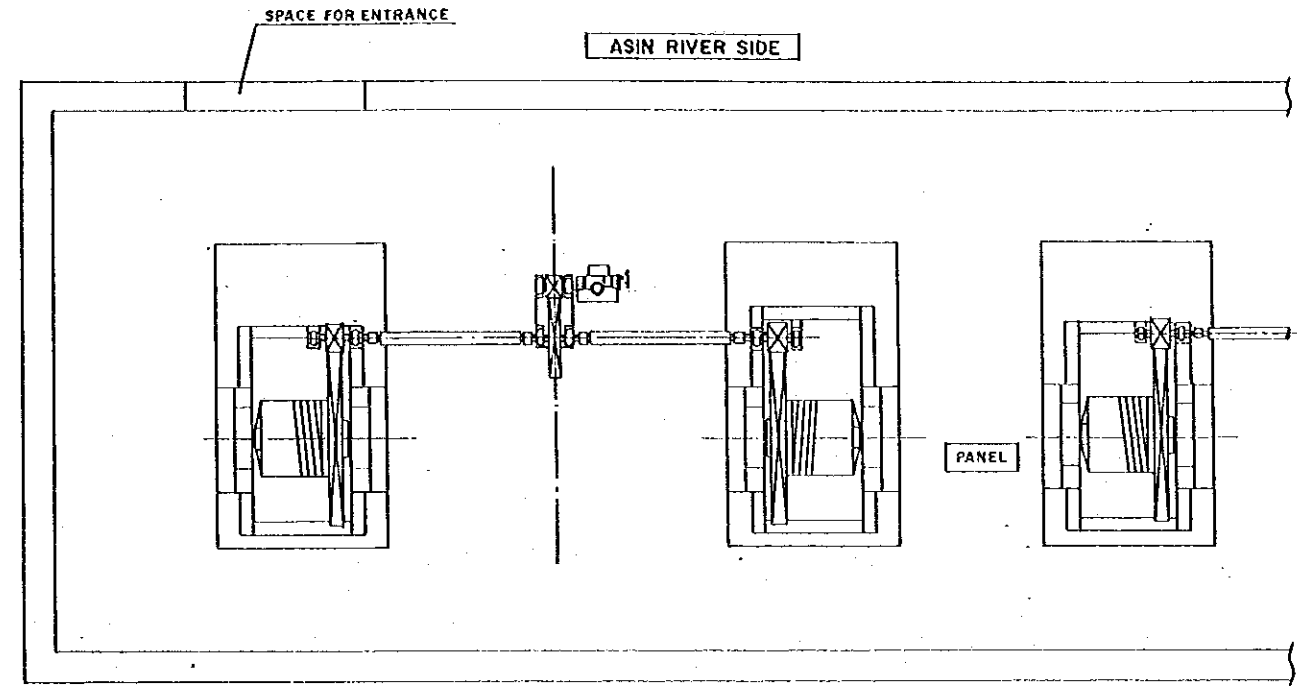
PROVINCE: CENTRAL JAVA
 PROJECT NAME: FLOOD CONTROL, URBAN DRAINAGE AND WATER RESOURCES DEVELOPMENT IN SEMARANG IN THE REPUBLIC OF INDONESIA
 DISTRICT: SEMARANG CITY
 DRAWING NO. U-P2-6-Me-2
 SHEET NO. 186

DATE: _____ CONTRACT NO. _____

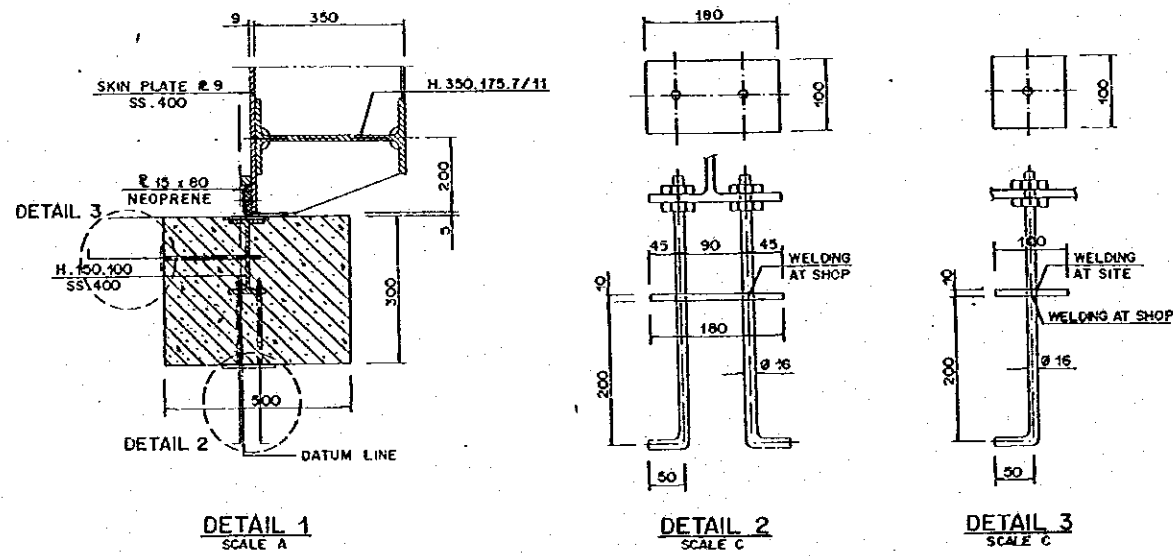
DESIGNED: _____ CHECKED: _____
 CEER OF PLANNING AND DESIGN: _____
 PROJECT MANAGER: _____



SECTION C - C SECTION D - D
 DETAIL OF GUIDE FRAME
 SCALE A



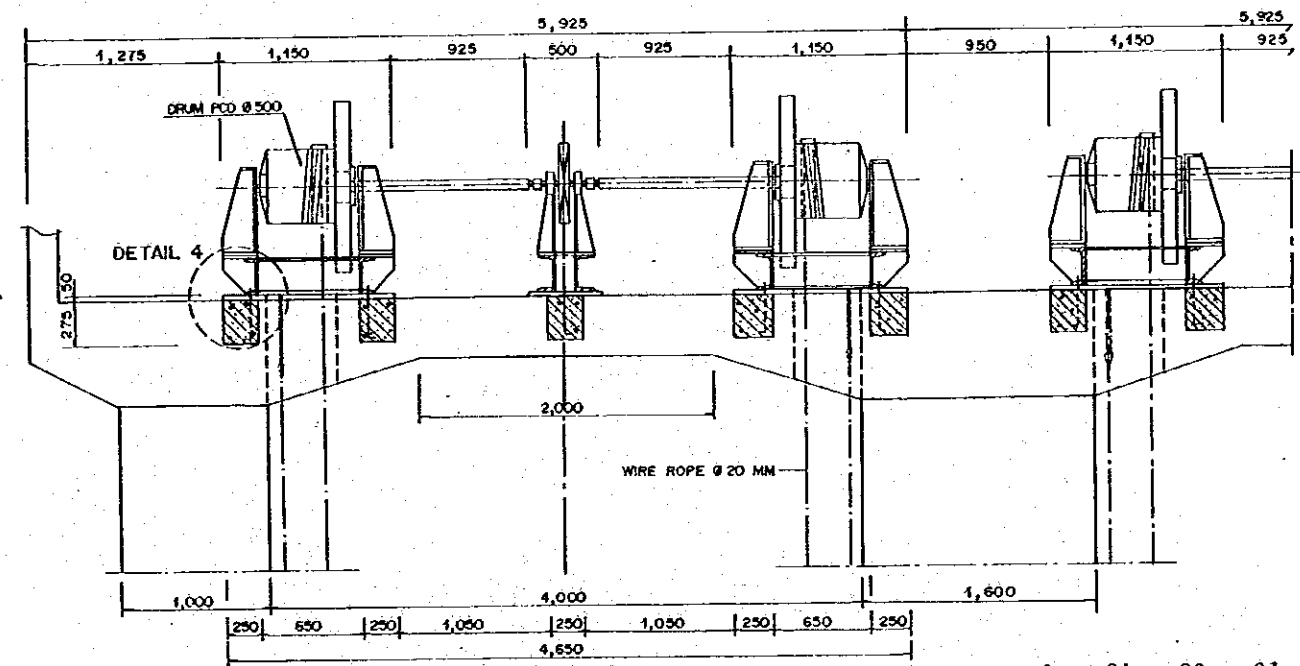
PLAN OF HOIST
 SCALE B



DETAIL 1
 SCALE A

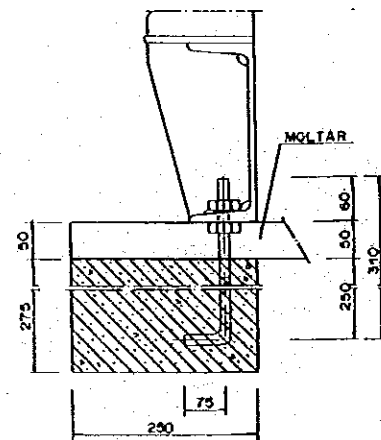
DETAIL 2
 SCALE C

DETAIL 3
 SCALE C



ELEVATION OF HOIST
 SCALE B

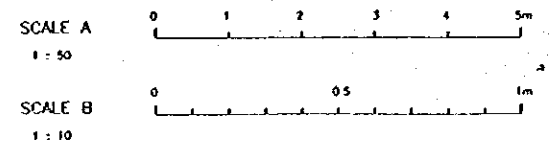
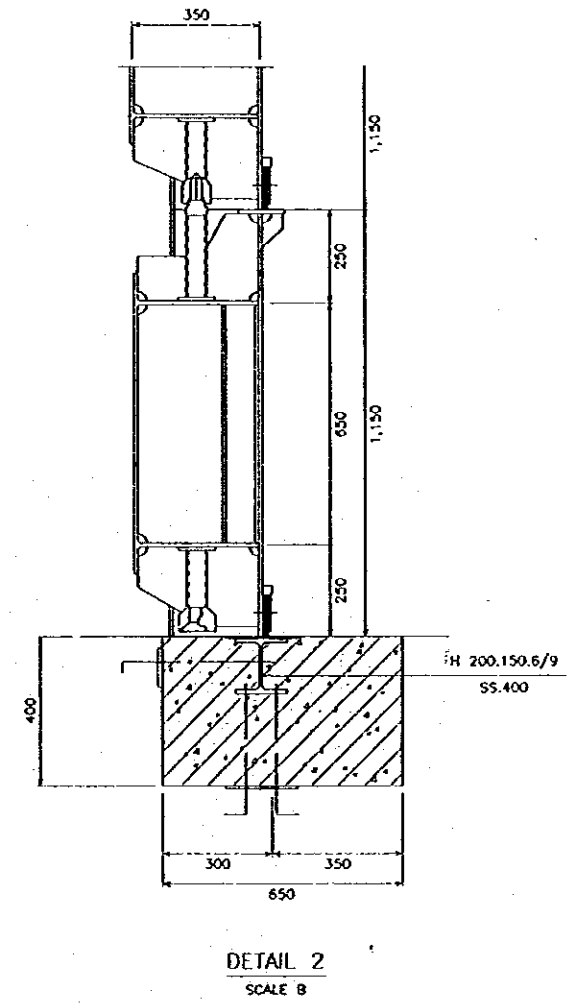
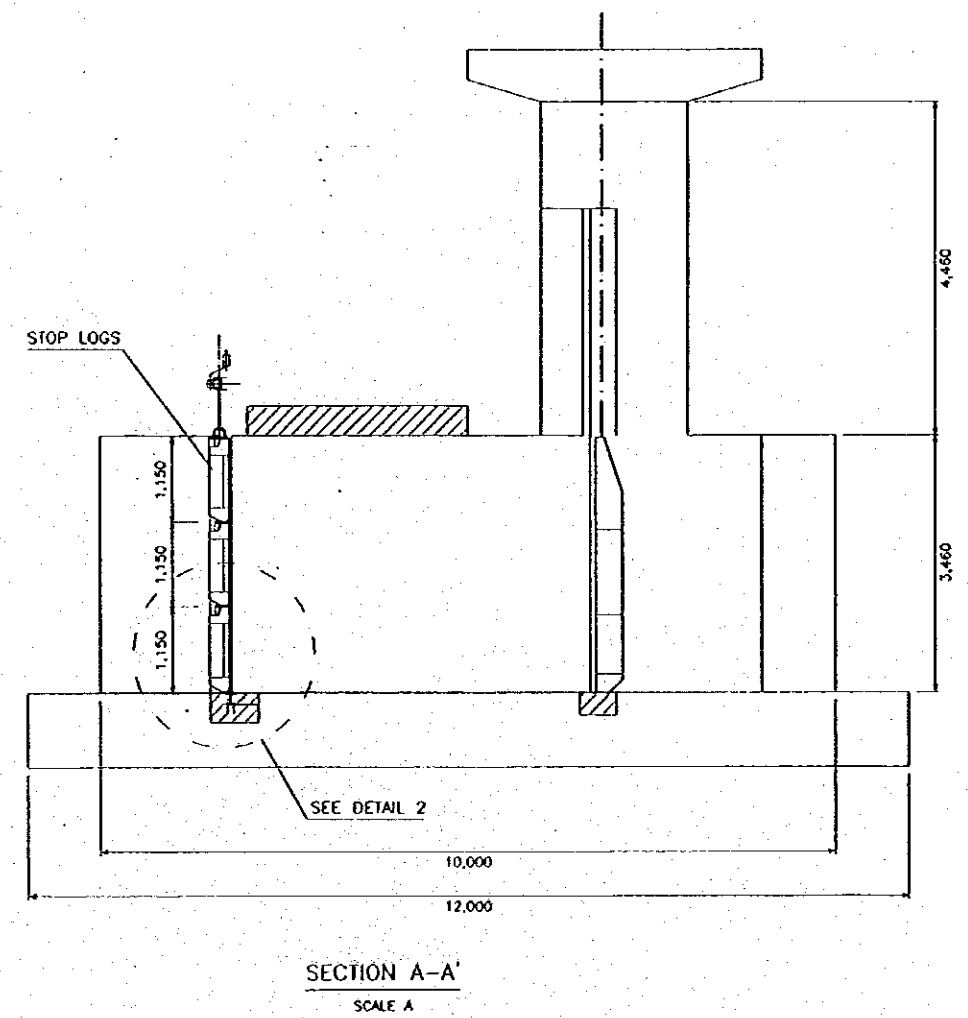
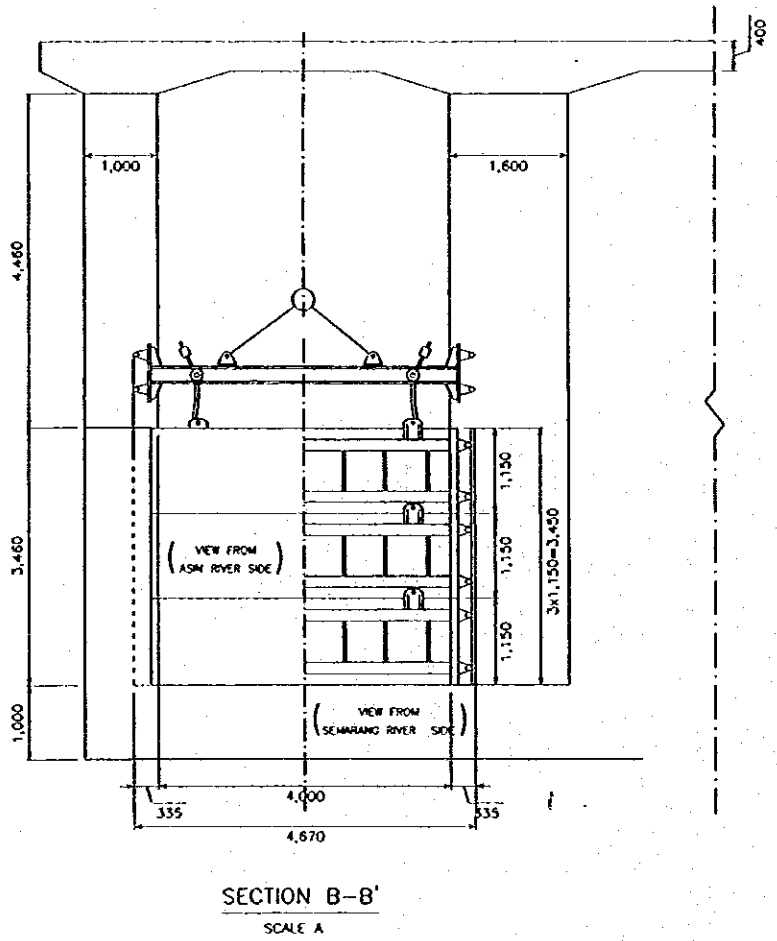
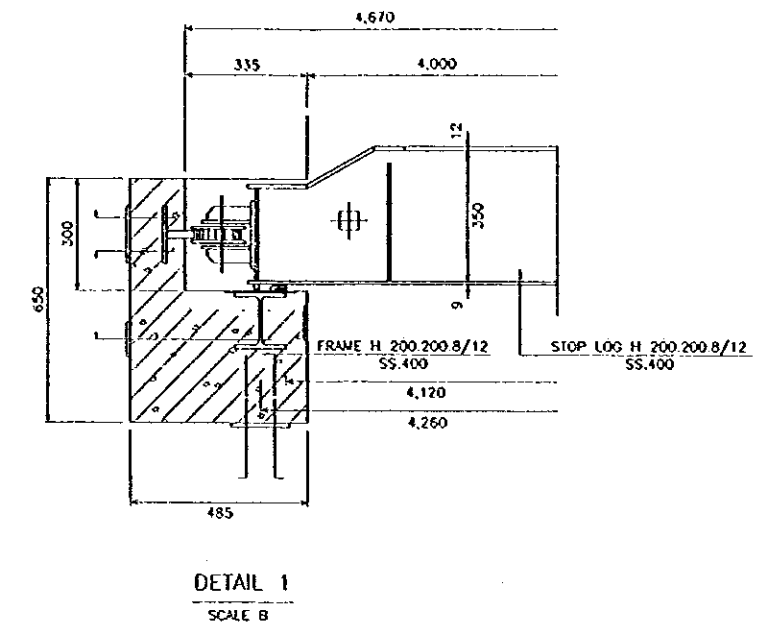
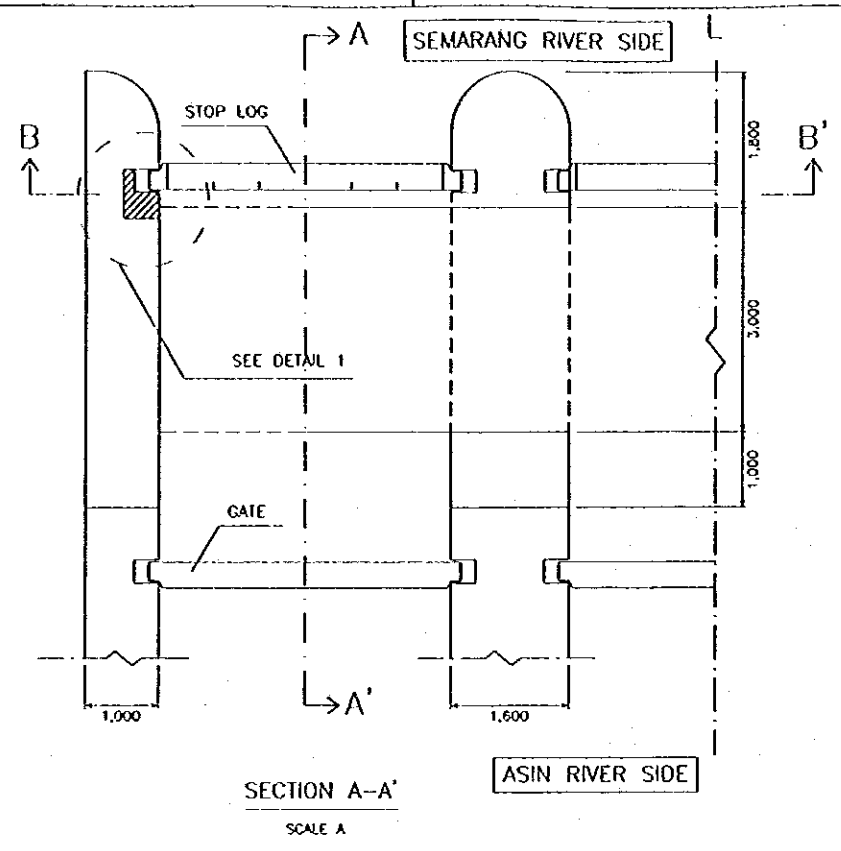
SCALE C	0	0.1	0.2	0.3	0.4	0.5 m
1 : 5						
SCALE B	0	0.5	1.0	1.5	2.0	2.5 m
1 : 25						
SCALE A	0	0.2	0.4	0.6	0.8	1.0 m
1 : 10						



DETAIL 4
 SCALE C

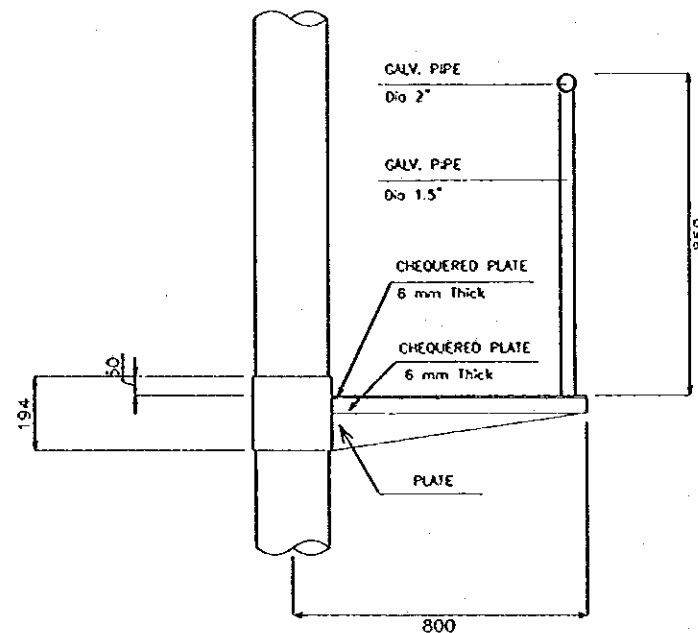
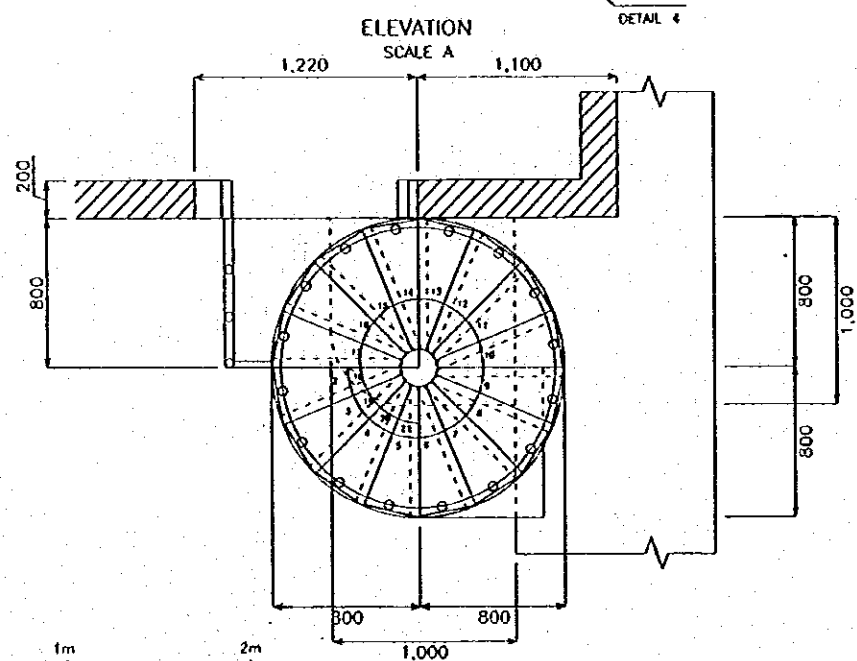
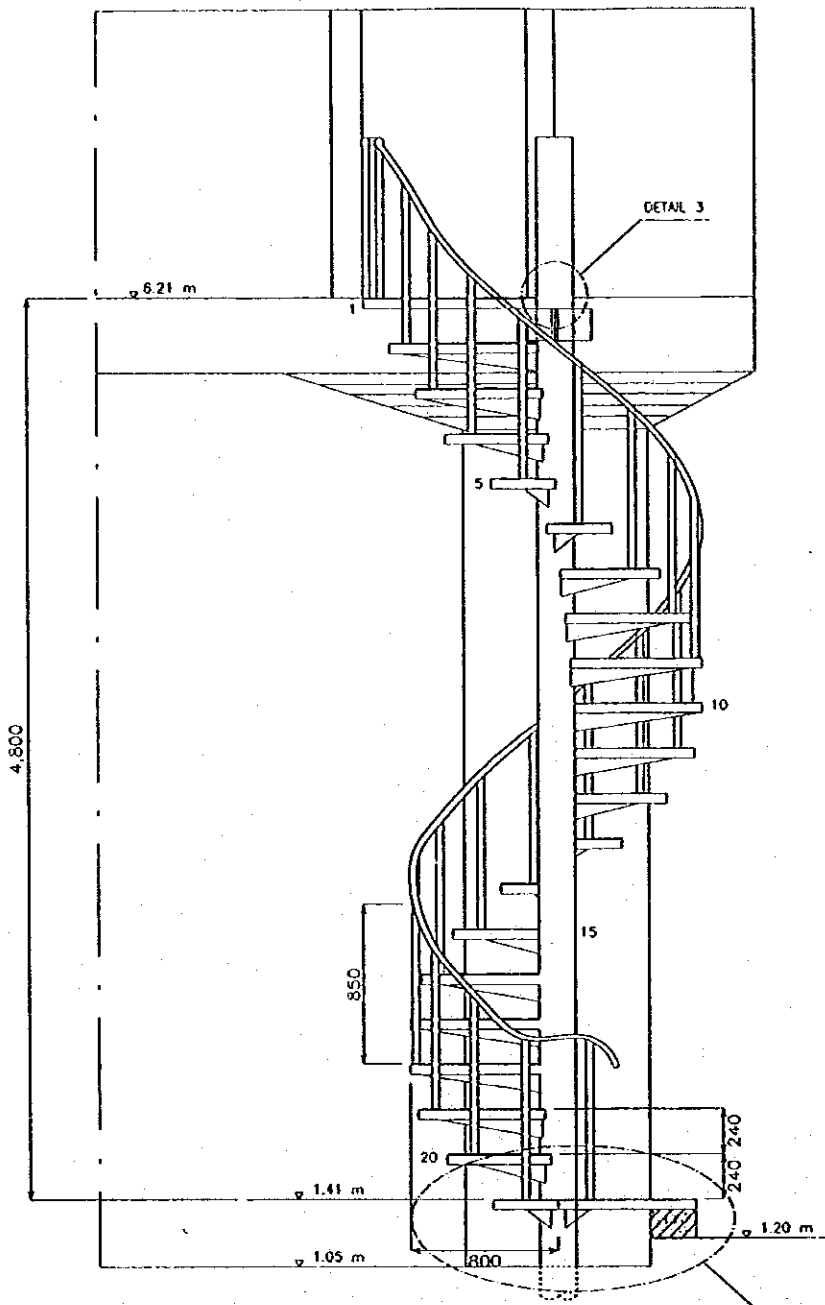
NO.	DATE	REVISIONS	PROPOSED	DESIGNED	APPROVED

THE REPUBLIC OF INDONESIA MINISTRY OF PUBLIC WORKS DIRECTORATE GENERAL OF WATER RESOURCES DEVELOPMENT AND DIRECTORATE GENERAL OF HUMAN SETTLEMENT MATURUSULUKA FLOOD CONTROL PROJECT COMPONENT : URBAN DRAINAGE SYSTEM IMPROVEMENT ASIN PUMPING STATION GATE DETAIL OF GUIDE FRAME/LAYOUT OF HOIST		PROVINCE CENTRAL JAYA PROJECT NAME FLOOD CONTROL, URBAN DRAINAGE AND WATER RESOURCES DEVELOPMENT IN MATURUSULUKA IN THE REPUBLIC OF INDONESIA DISTRICT SEMARANG CITY DRAWING NO. U-P2-0-M-5 SHEET NO. 187 DATE CONTRACT NO.
JAPAN INTERNATIONAL COOPERATION AGENCY JICA ENGINEERING CO. LTD. IN ASSOCIATION WITH PACIFIC CONSULTANTS INTERNATIONAL INC. PAKCO INTERNATIONAL PCL.	DRAWN BY CHECKED CHIEF OF PLANNING AND DESIGN PROJECT MANAGER	APPROVED

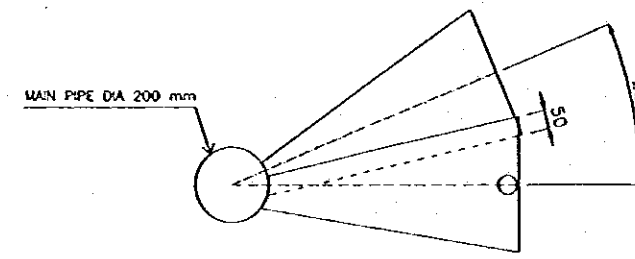


NO.	DATE	REVISIONS	ORIGINATOR	DESIGNED	APPROVED

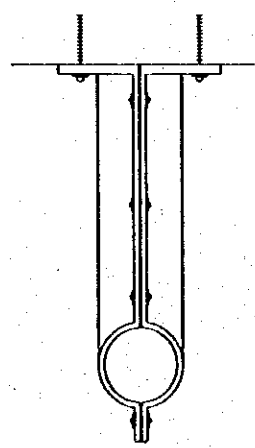
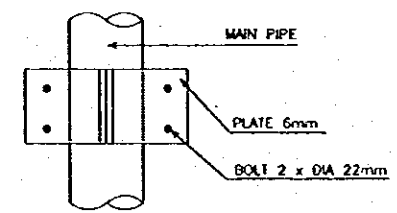
THE REPUBLIC OF INDONESIA MINISTRY OF PUBLIC WORKS DIRECTORATE GENERAL OF WATER RESOURCES DEVELOPMENT AND DIRECTORATE GENERAL OF URBAN SETTLEMENT		PROVINCE CENTRAL JAWA
SEATUNJILONGA FLOOD CONTROL PROJECT COMPONENT : URBAN DRAINAGE SYSTEM IMPROVEMENT ASIN PUMPING STATION GATE STOP LOGS		PROJECT NAME FLOOD CONTROL, URBAN DRAINAGE AND WATER RESOURCES DEVELOPMENT IN SEMARANG IN THE REPUBLIC OF INDONESIA DISTRICT SEMARANG CITY DRAWING NO. U-P2-G-Me-4 SHEET NO. 188
LAPAN INTERNATIONAL COORDINATION AGENCY CI ENGINEERING CO., LTD. IN ASSOCIATION WITH PACIFIC CONSULTANTS INTERNATIONAL AND PACIFIC INTERNATIONAL INC.	ENGINEER [Signature] CHECKED [Signature] COORDINATOR OF PLANNING AND DESIGN PROJECT MANAGER	DATE [Date] CONTRACT NO.



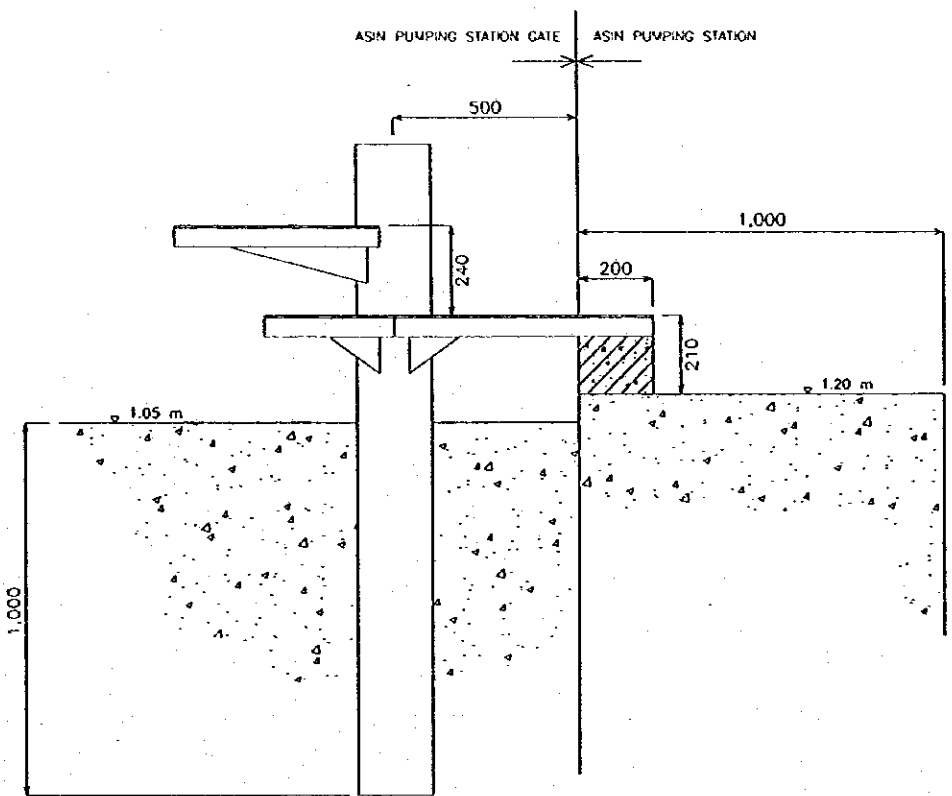
DETAIL OF STEP (SECTION)
SCALE B



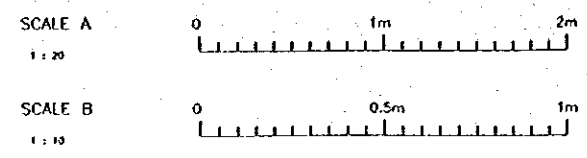
DETAIL OF STEP (PLAN)
SCALE B



DETAIL 3
SCALE B



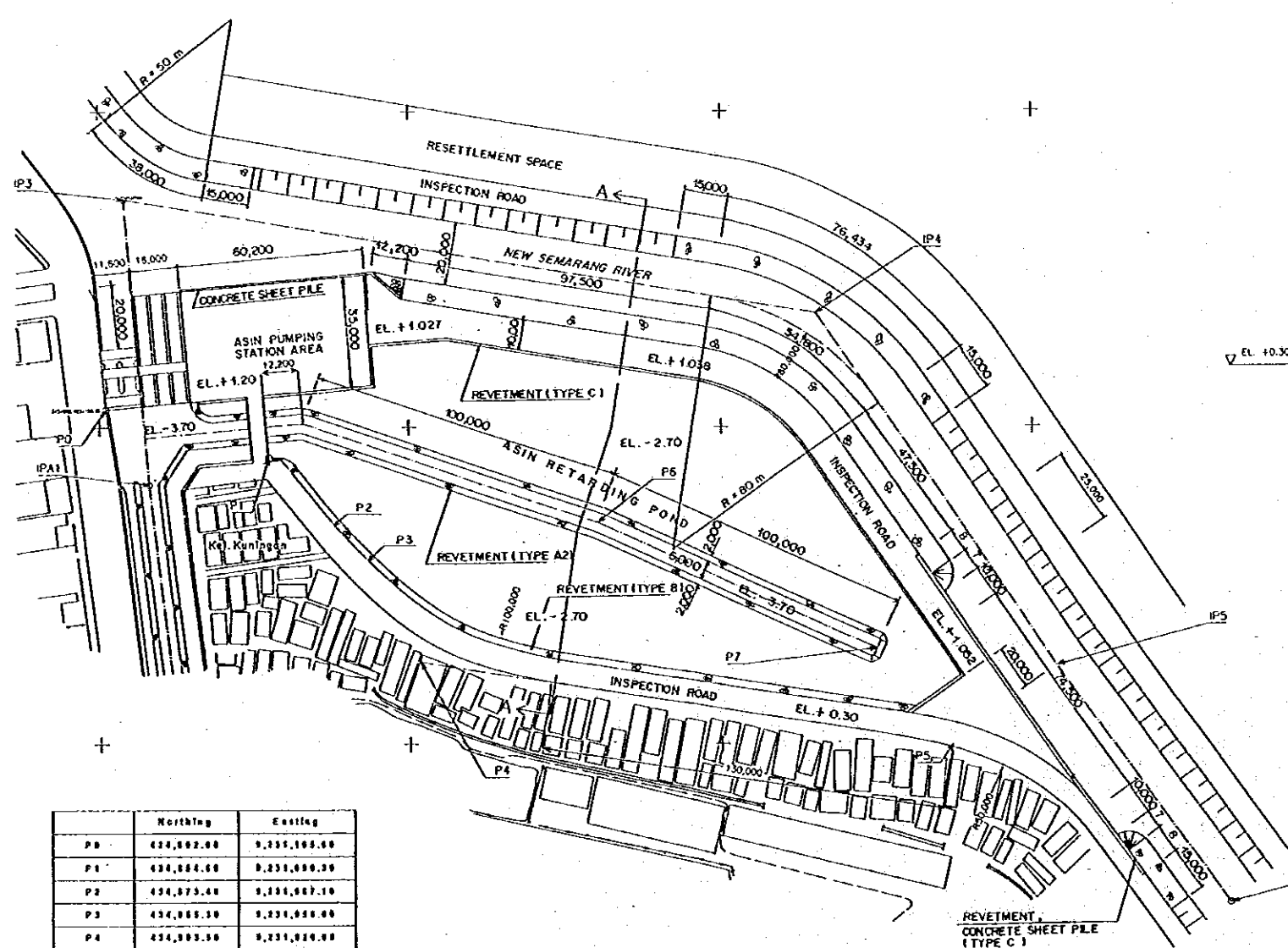
DETAIL 4
SCALE B



STAIRS
SCALE A

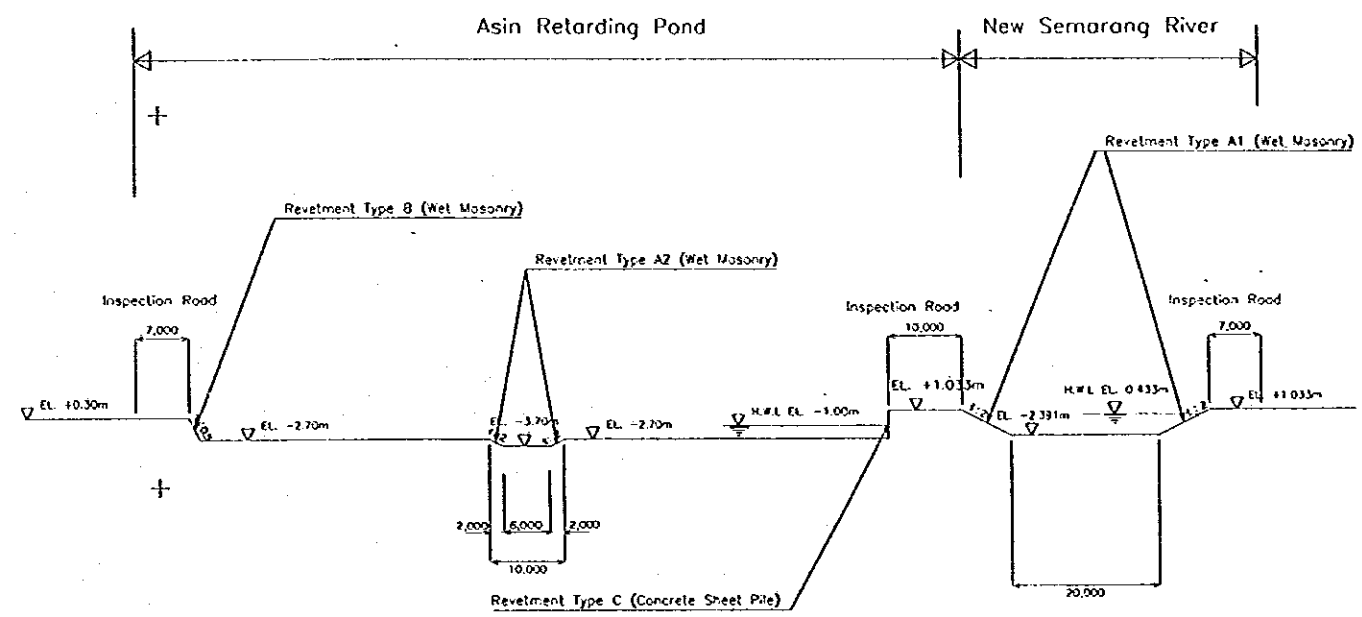
NO.	DATE	REVISIONS	ORIGINATED	ISSUED	APPROVED

THE REPUBLIC OF INDONESIA MINISTRY OF PUBLIC WORKS DIRECTORATE GENERAL OF WATER RESOURCES DEVELOPMENT AND DIRECTORATE GENERAL OF URBAN SETTLEMENT		PROVINCE CENTRAL JAWA
BRATUNGLANA FLOOD CONTROL PROJECT COMPONENT : URBAN DRAINAGE SYSTEM IMPROVEMENT ASIN PUMPING STATION GATE DETAIL OF STAIRWAY		PROJECT NAME FLOOD CONTROL, IMPROVEMENT AND URBAN SETTLEMENT DEVELOPMENT IN BRATUNGLANA OF THE DISTRICT OF PEMBARA
SURABAYA MUNICIPAL COOPERATION AGENCY PT. INDOREKONGCO, LTD. IN ASSOCIATION WITH PACIFIC CONSULTANTS INTERNATIONAL AND TAIKO INTERNATIONAL INC.		DISTRICT SEMARANG CITY DRAWING NO. U-P2-G-MI-1 SHEET NO. 189
DESIGNED CHECKED APPROVED	DATE PROJECT MANAGER	DATE CONTRACT NO.



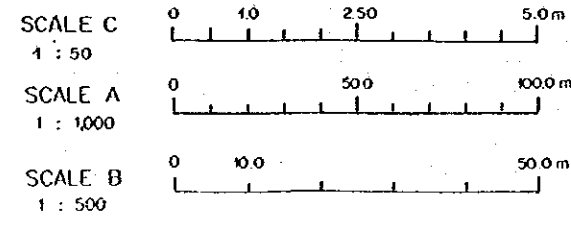
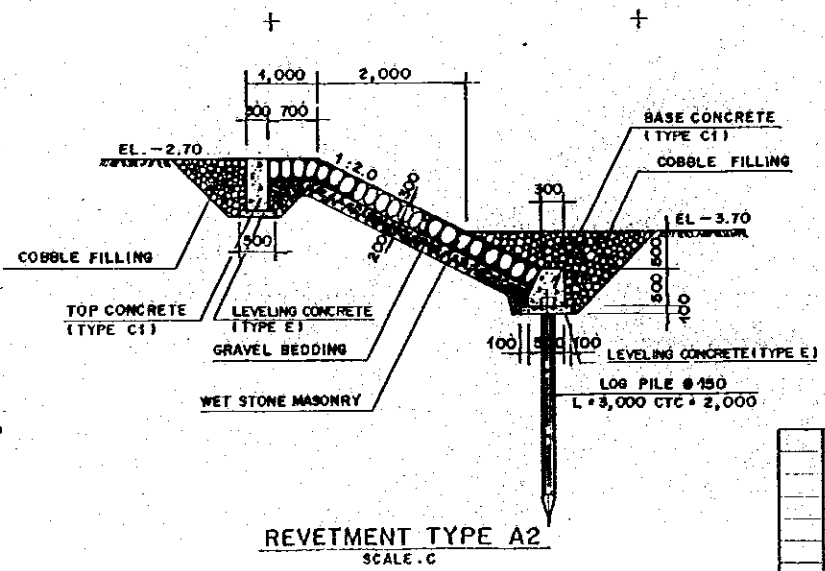
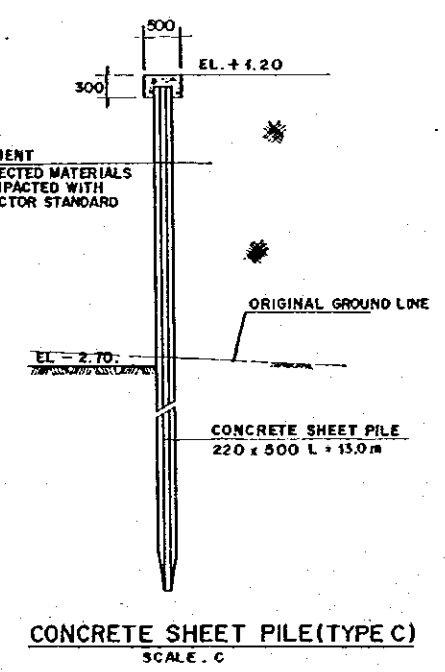
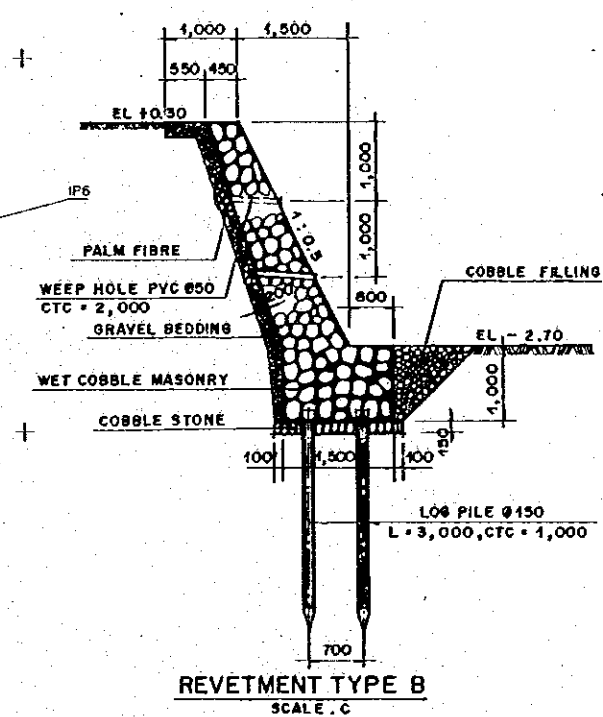
	Northing	Easting
P0	434,882.00	9,231,189.00
P1	434,884.00	9,231,890.00
P2	434,875.48	9,231,987.10
P3	434,885.50	9,231,886.00
P4	434,893.50	9,231,886.00
P5	434,874.00	9,231,999.00
P6	434,868.00	9,231,876.00
P7	434,889.00	9,231,936.00
IP3	434,882.00	9,231,172.00
IP4	434,831.00	9,231,136.00
IP5	434,887.50	9,231,824.50
IP6	434,883.00	9,231,849.50
IP.A1	434,516.00	9,231,881.50

PLAN
SCALE A



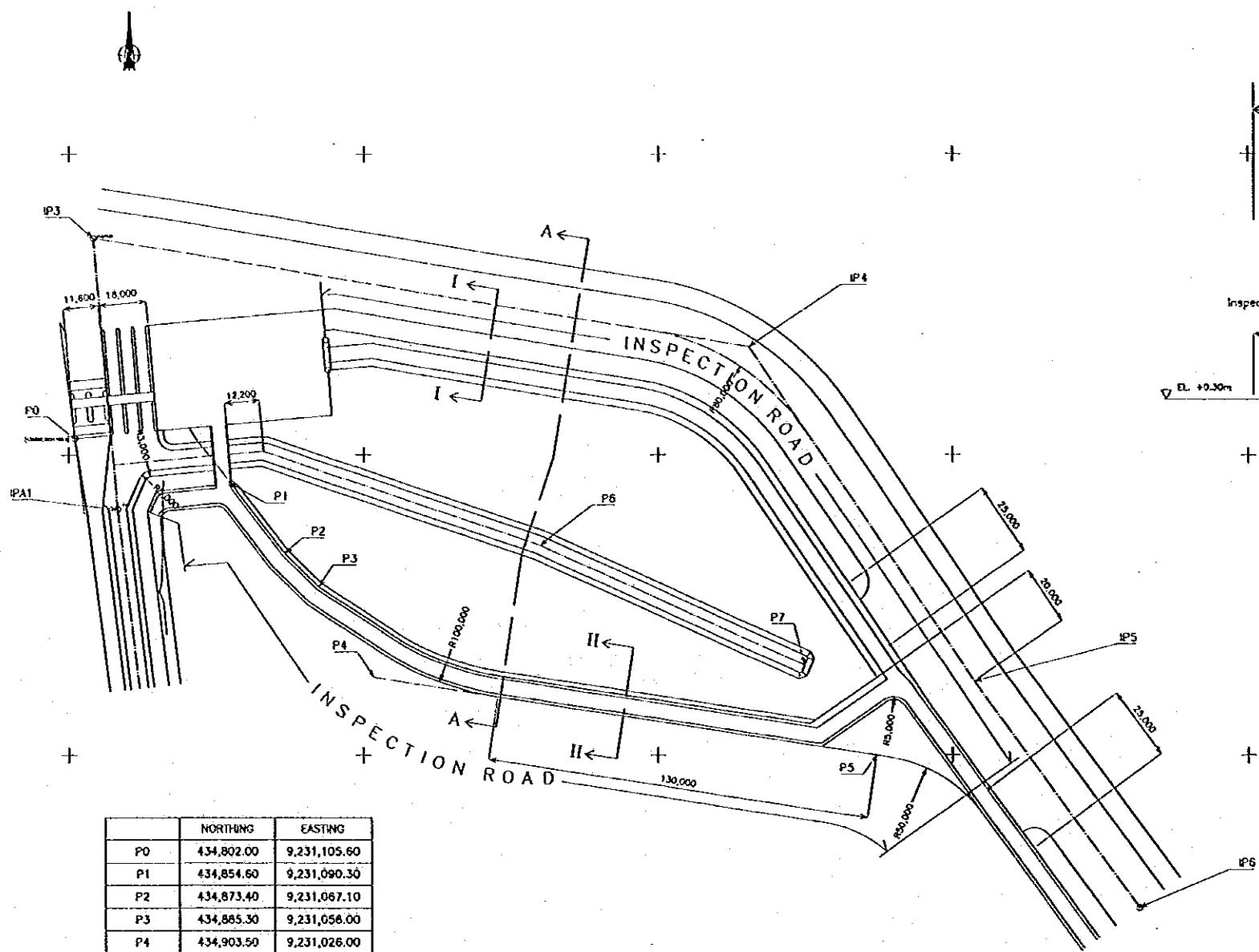
SECTION A-A
SCALE B

Note:
Details of revetments are shown on the drawings "ASIN RIVER, REVETMENT" and "SEMARANG RIVER, REVETMENT".



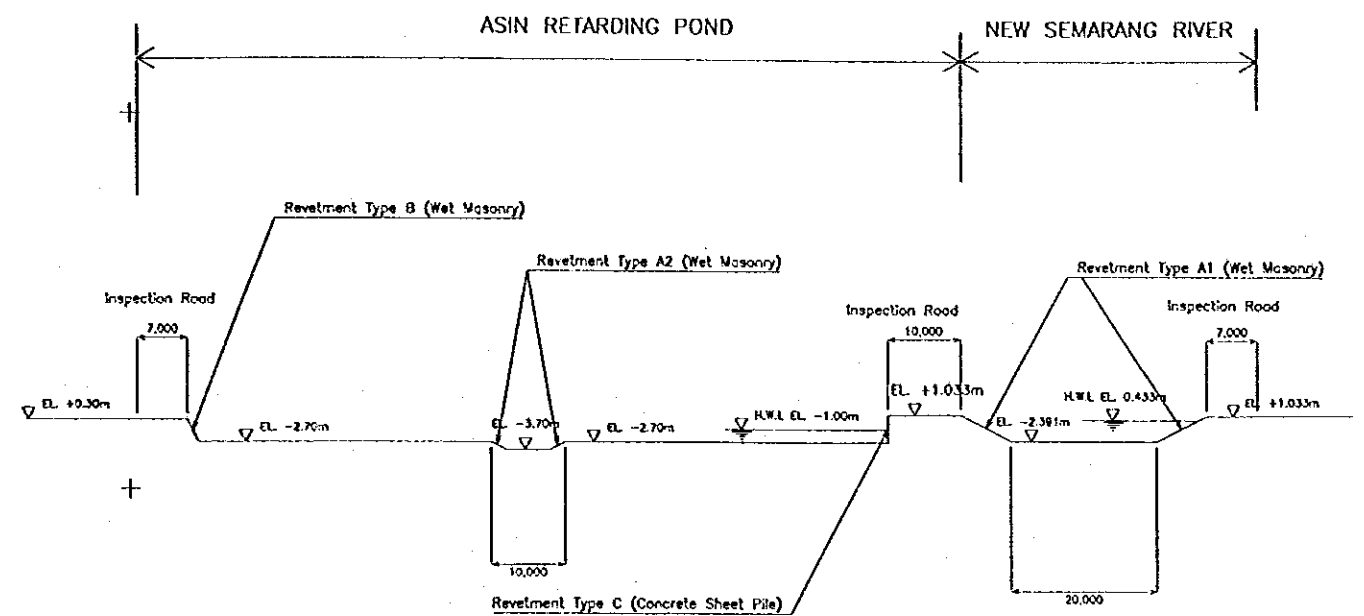
NO.	DATE	REVISIONS	ORIGINATED	DESIGNED	APPROVED

THE REPUBLIC OF INDONESIA MINISTRY OF PUBLIC WORKS DIRECTORATE GENERAL OF WATER RESOURCES DEVELOPMENT AND DIRECTORATE GENERAL OF RURAL SETTLEMENT		PROVINCE CENTRAL JAWA
BRATUNGLUNGA FLOOD CONTROL PROJECT COMPONENT : URBAN DRAINAGE SYSTEM IMPROVEMENT ASIN RETARDING POND PLAN, SECTION AND REVETMENT		PROJECT NAME FLOOD CONTROL, URBAN DRAINAGE AND WATER RESOURCES DEVELOPMENT IN SEMARANG IN THE REPUBLIC OF INDONESIA
DRAWING NO. U - P2 - RP - 04 - 1 SHEET NO. 190		DISTRICT SEMARANG CITY
DESIGNED CHECKED APPROVED		DATE CONTRACT NO.
CHIEF OF PLANNING AND DESIGN PROJECT MANAGER		



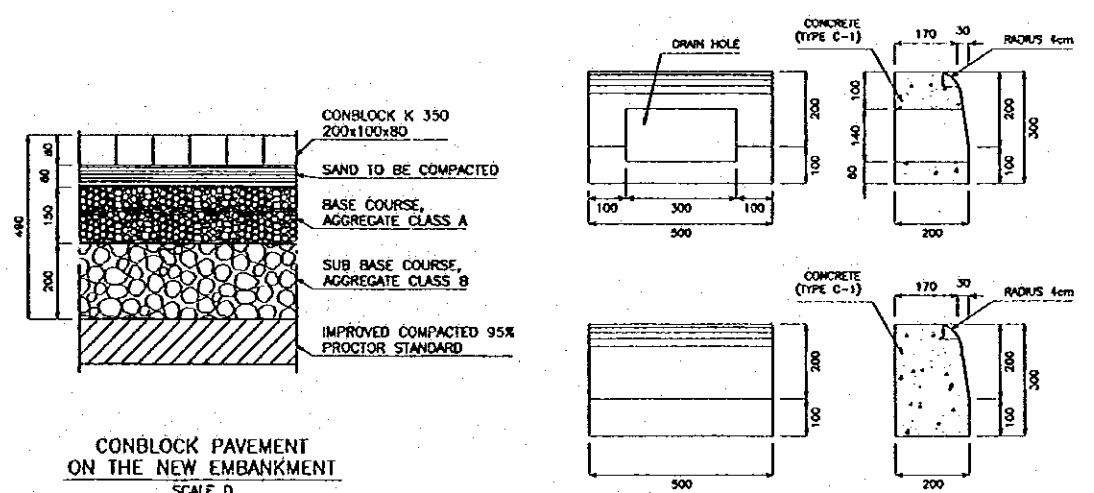
	NORTHING	EASTING
P0	434,802.00	9,231,105.60
P1	434,854.60	9,231,090.30
P2	434,873.40	9,231,067.10
P3	434,885.30	9,231,056.00
P4	434,903.50	9,231,026.00
P5	435,074.00	9,231,000.00
P6	434,960.00	9,231,070.00
P7	435,050.00	9,231,030.00
IP3	434,808.00	9,231,172.00
IP4	435,031.00	9,231,136.00
IP5	435,107.50	9,231,024.00
IP6	435,163.00	9,230,949.50
IP.A1	434,816.00	9,231,081.80

PLAN SCALE A



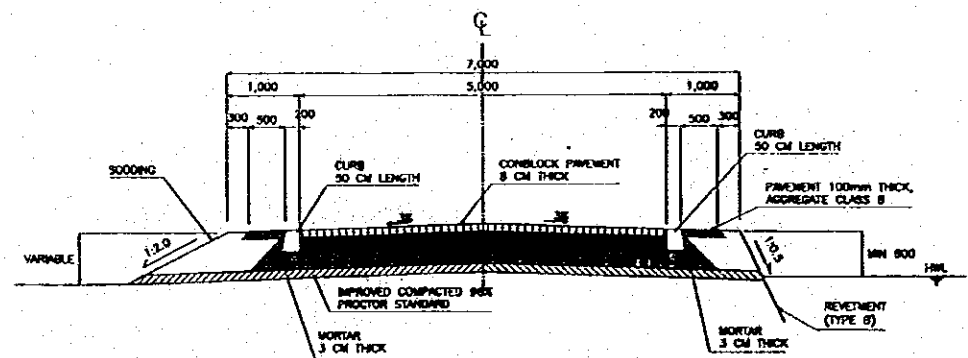
SECTION A-A SCALE B

Note: Details of revetments are shown on the drawings "ASIN RIVER, REVETMENT" and "SEMARANG RIVER, REVETMENT".

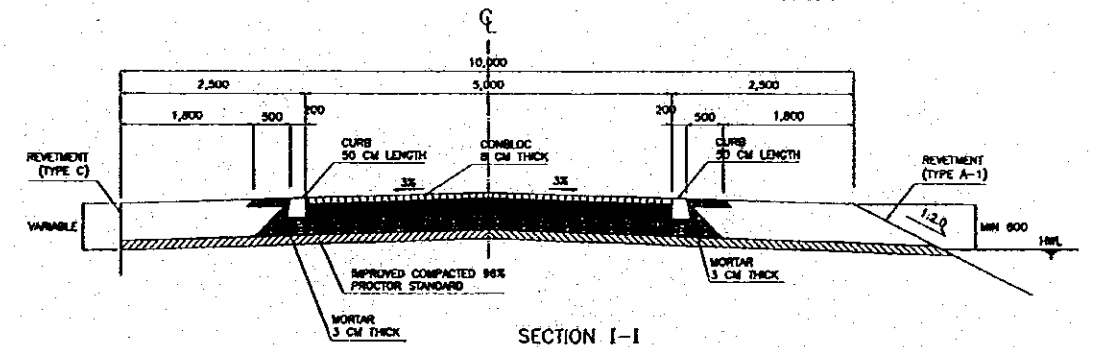


CONGBLOCK PAVEMENT ON THE NEW EMBANKMENT SCALE D

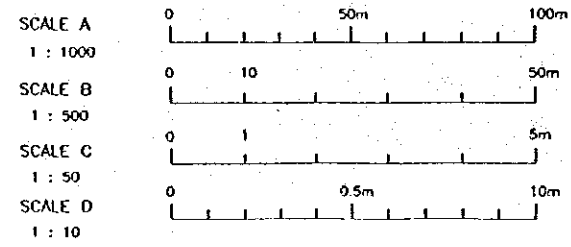
CURB SCALE D



SECTION II-II SCALE C



SECTION I-I SCALE C



NO.	DATE	REVISIONS	ORIGINATOR	DESIGNED	DRAWN	CHECKED	APPROVED

THE REPUBLIC OF INDONESIA MINISTRY OF PUBLIC WORKS DIRECTORATE GENERAL OF WATER RESOURCES DEVELOPMENT AND DIRECTORATE GENERAL OF HUMAN SETTLEMENT		PROVINCE CENTRAL JAWA
KEATUNDELA FLOOD CONTROL PROJECT COMPONENT: URBAN DRAINAGE SYSTEM IMPROVEMENT ASIN RETARDING POND INSPECTION ROAD		PROJECT NAME FLOOD CONTROL, URBAN DRAINAGE AND WATER RESOURCES DEVELOPMENT BY SEMARANG IN THE REPUBLIC OF INDONESIA
JAPAN INTERNATIONAL COOPERATION AGENCY CE ENGINEERING CO., LTD. PACIFIC CONSULTANTS INTERNATIONAL AND PAKCO INTERNATIONAL INC.		DISTRICT SEMARANG CITY
DRAWING NO. U-P2-RP-Rd-1 SHEET NO. 191		DATE CONTRACT NO.
APPROVED CHIEF OF PLANNING AND DESIGN	CHECKED DESIGNER	DATE CONTRACT NO.





JICA