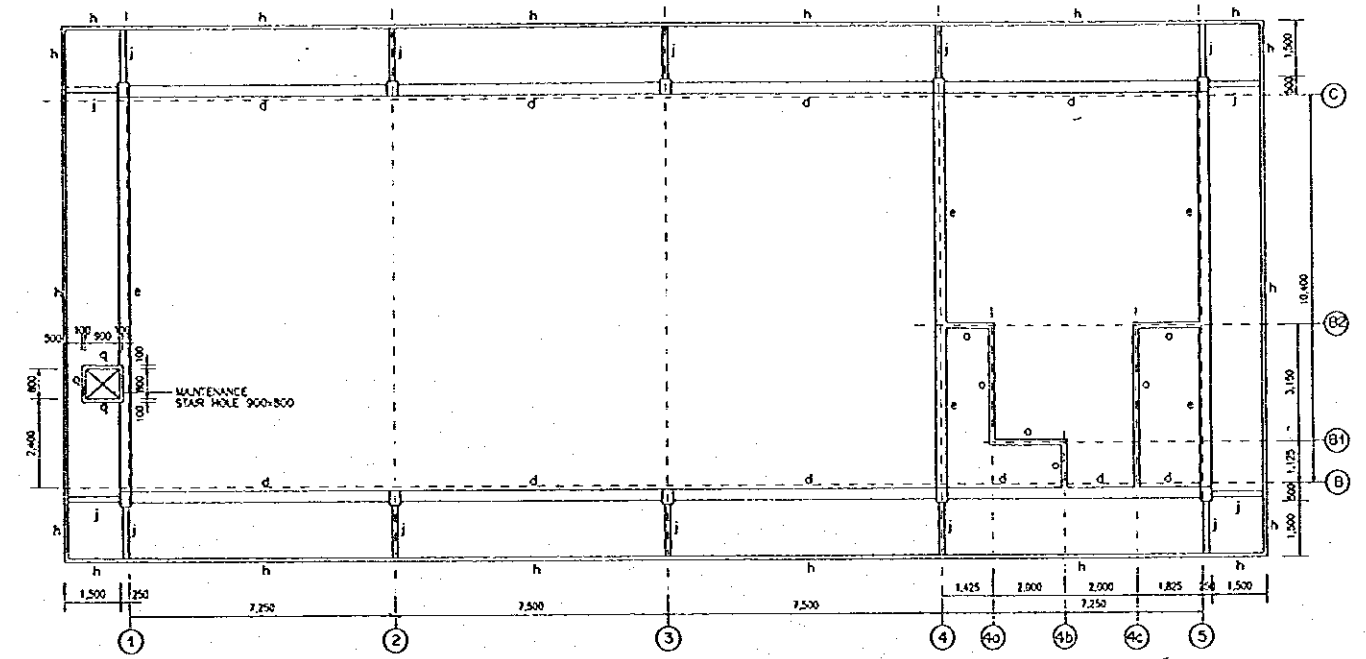
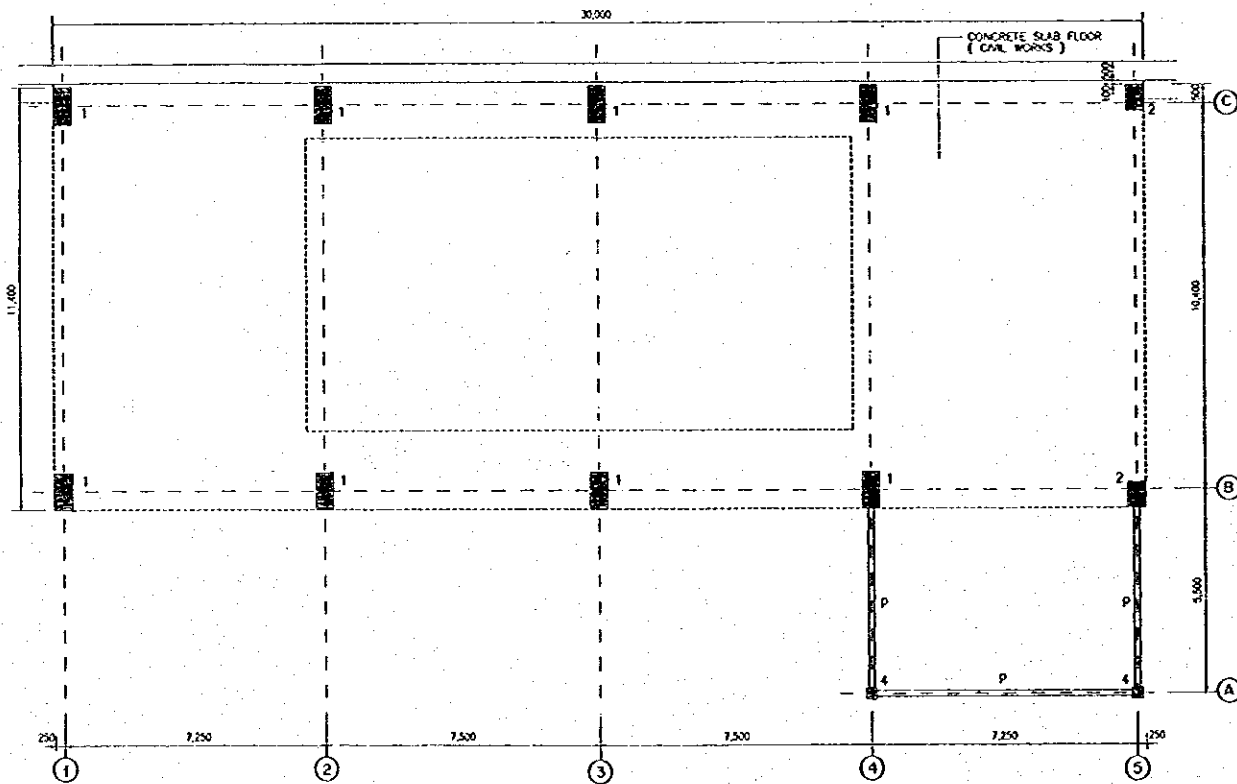


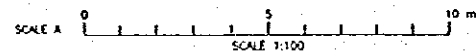
2nd. FLOOR
TIE BEAM AND COLUMN PLAN GL+5,500
SCALE A



ROOF LEVEL
TIE BEAM PLAN GL+10,500
SCALE A

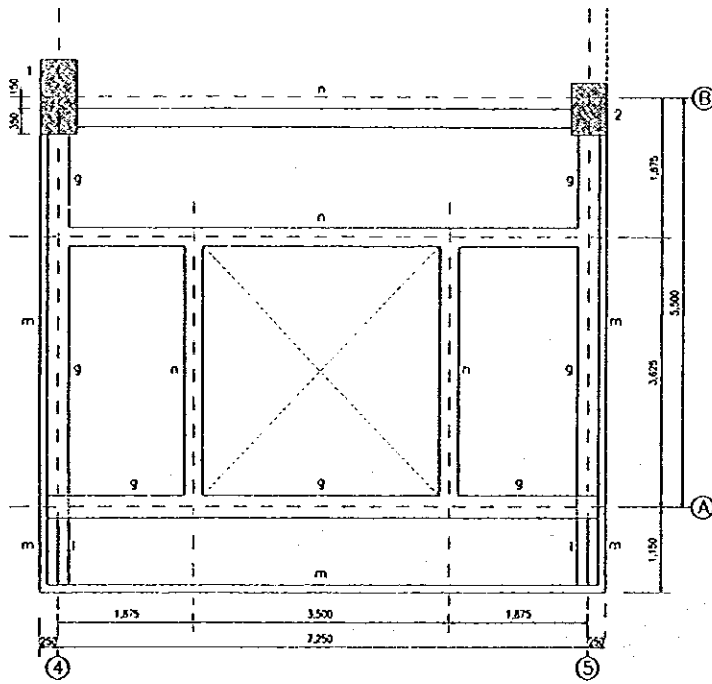


1st. FLOOR COLUMN PLAN GL+500
SCALE A

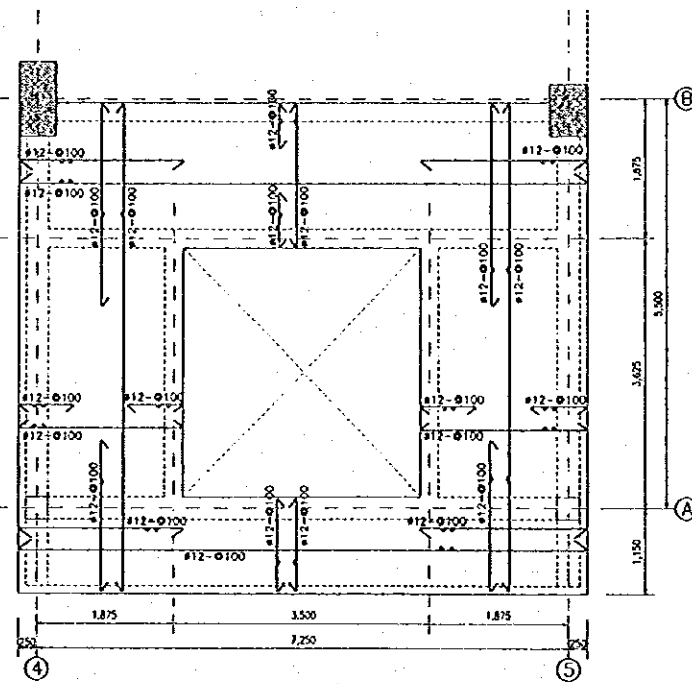


NO.	DATE	REVISIONS	ORIGINATED	DESIGNED	APPROVED

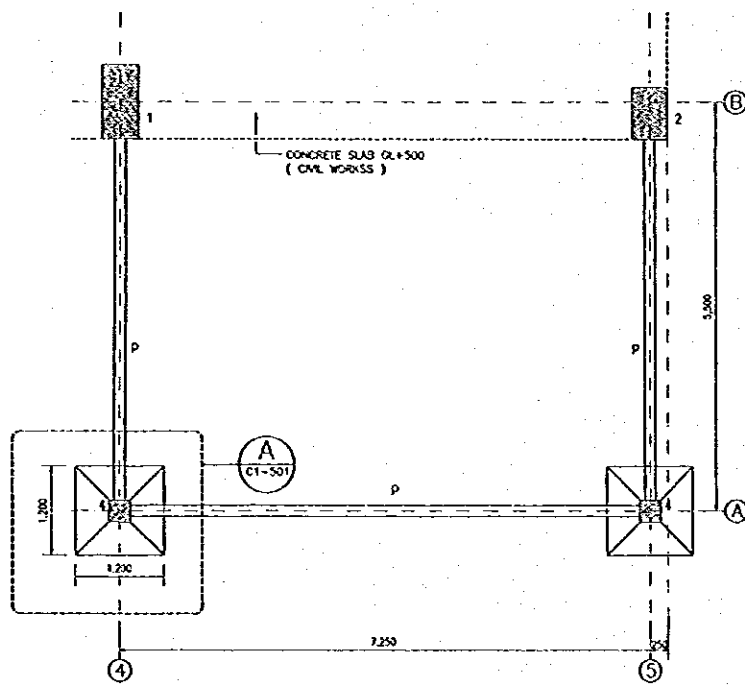
<p>THE REPUBLIC OF INDONESIA MINISTRY OF PUBLIC WORKS DIRECTORATE GENERAL OF WATER RESOURCES DEVELOPMENT AND DIRECTORATE GENERAL OF HUMAN SETTLEMENT</p>	PROVINCE	CENTRAL JAWA
	PROJECT NAME	FLOOD CONTROL, URBAN DRAINAGE AND WATER RESOURCES DEVELOPMENT BY SEMARANG IN THE REPUBLIC OF INDONESIA
	DISTRICT	SEMARANG CITY
	DRAWING NO.	JO - P4 - HC - H0 - 21
<p>JRATUNSELUNA FLOOD CONTROL PROJECT COMPONENT - JATIBARANG DAM CONSTRUCTION JATIBARANG DAM HYDROPOWER STATION COMPLEX COLUMN AND TIE BEAM PLAN HYDROPOWER STATION BUILDING</p>	DESIGNED	<i>[Signature]</i>
<p>IN AN INTERNATIONAL COOPERATION AGENCY CIVIL ENGINEERING COLLEGE IN ASSOCIATION WITH PACIFIC CONSULTANTS INTERNATIONAL AND FASCO INTERNATIONAL INC.</p>	CHECKED	<i>[Signature]</i>
<p>CHIEF OF PLANNING AND DESIGN</p>	DATE	
<p>PROJECT MANAGER</p>	CONTRACT NO.	



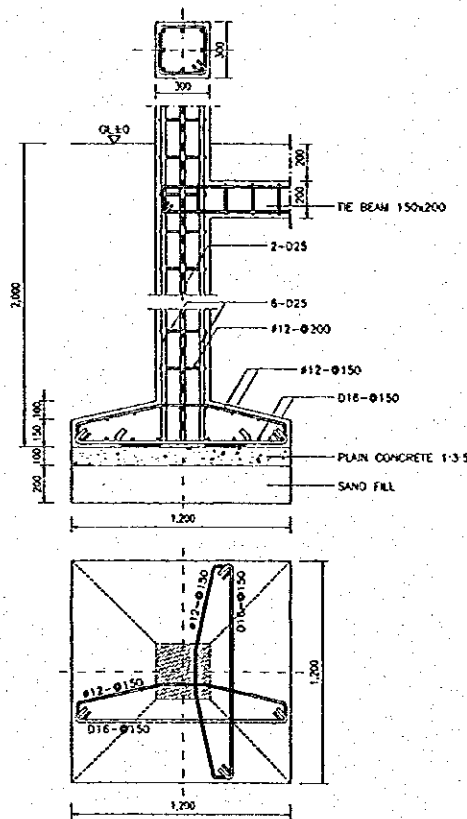
ROOF LEVEL TIE BEAM PLAN GL+4,150
SCALE A
Hb I 22



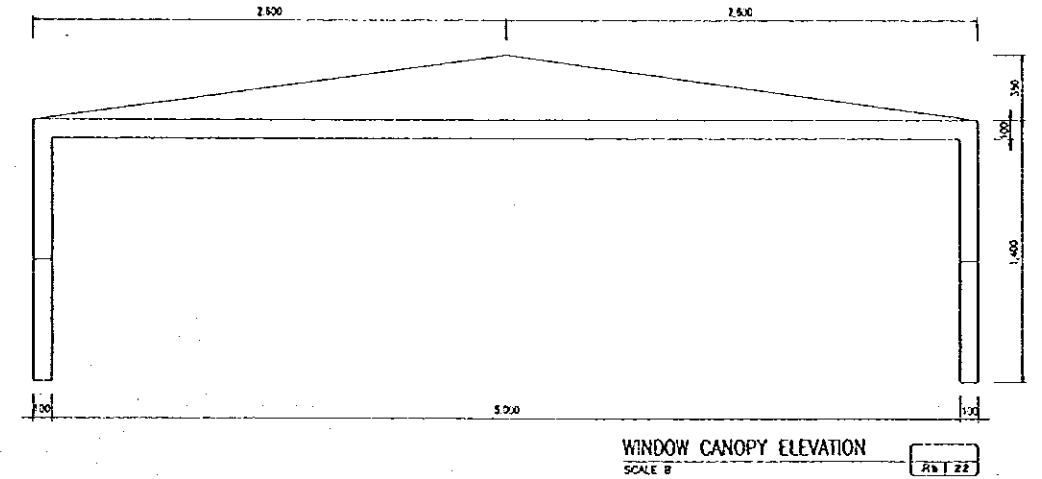
ROOF SLAB PLAN
SCALE A
Hb I 22



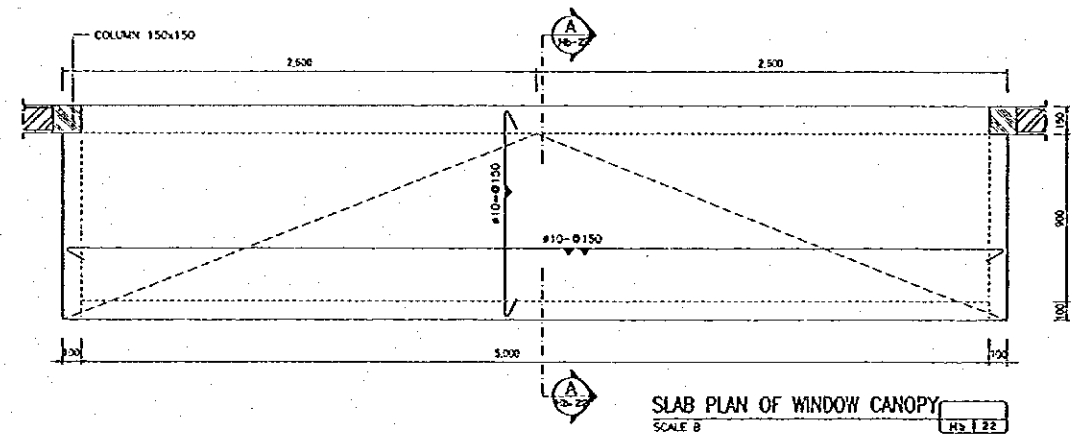
COLUMN & TIE BEAM PLAN GL±0
SCALE A
Hb I 22



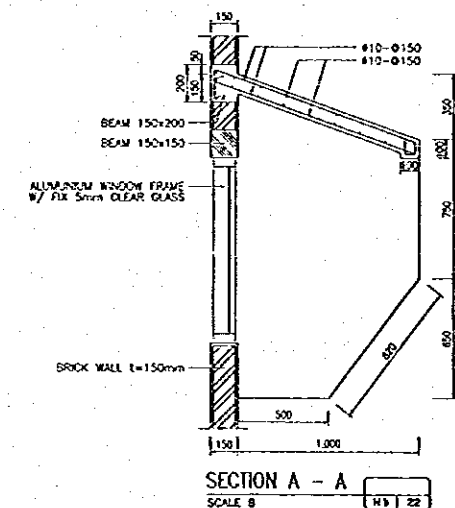
DETAIL A
SCALE B
Hb I 22



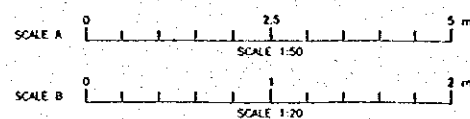
WINDOW CANOPY ELEVATION
SCALE B
Hb I 22



SLAB PLAN OF WINDOW CANOPY
SCALE B
Hb I 22



SECTION A - A
SCALE B
Hb I 22



NO.	DATE	REVISIONS	ORIGINATED	DESIGNED	APPROVED

THE REPUBLIC OF INDONESIA
MINISTRY OF PUBLIC WORKS
DIRECTORATE GENERAL OF WATER RESOURCES DEVELOPMENT
AND DIRECTORATE GENERAL OF HUMAN SETTLEMENT

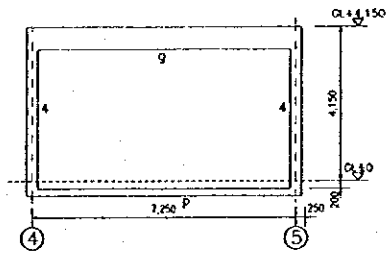
JATUNGSUKUNA FLOOD CONTROL PROJECT
COMPONENT : JATIBARANG DAM CONSTRUCTION
JATIBARANG DAM HYDROPOWER STATION COMPLEX
ENTRANCE CANOPY, COLUMN & TIE BEAM PLAN,
FOUNDATION DETAIL, ROOF SLAB PLAN, AND WINDOW CANOPY DETAIL
HYDROPOWER STATION BUILDING

JALUR INTERDISIPLIN COOPERATION AGENCY
CI (CORPORATE IDENTITY) & AMBUDENYAK
PAPAC (PENGANTARAN INTERNAL DAN
PAPAC) BERKAS DESAIN

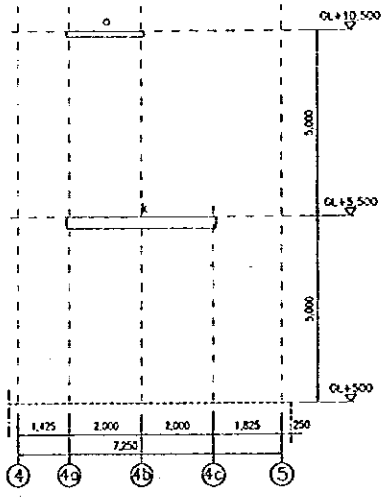
DESIGNED: *[Signature]*
CHECKED: *[Signature]*
DATE: *[Date]*

CHIEF OF PLANNING AND DESIGN
PROJECT MANAGER

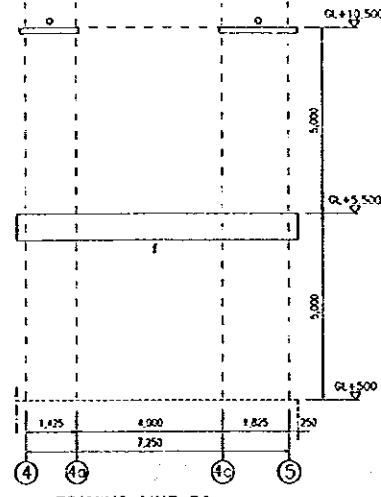
PROVINCE: CENTRAL JAVA
PROJECT NAME: FLOOD CONTROL, URBAN DRAINAGE AND
WATER RESOURCES DEVELOPMENT IN
ESKARANG OF THE REPUBLIC OF INDONESIA
DISTRICT: SEMARANG CITY
DRAWING NO. JD-P1-HC-HD-22
SHEET NO. 242
DATE: *[Date]*
CONTRACT NO.:



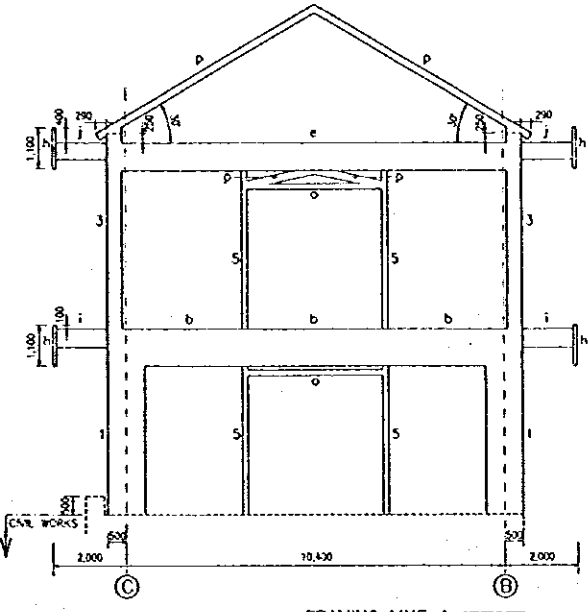
FRAMING LINE A
SCALE A
Hb 1 23



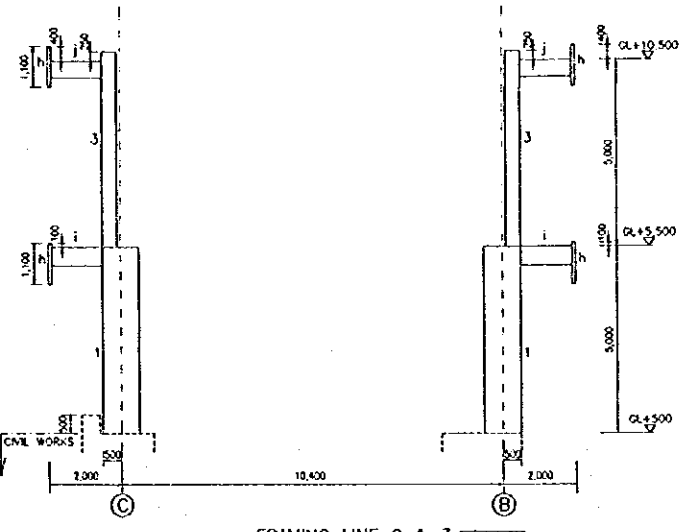
FRAMING LINE B1
SCALE A
Hb 1 23



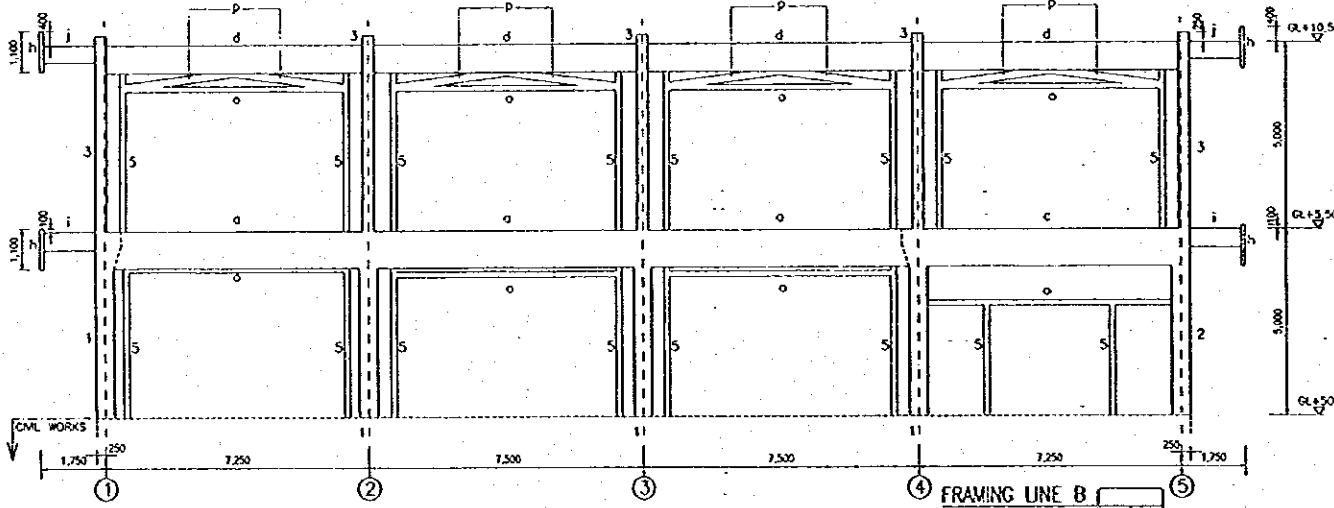
FRAMING LINE B2
SCALE A
Hb 1 23



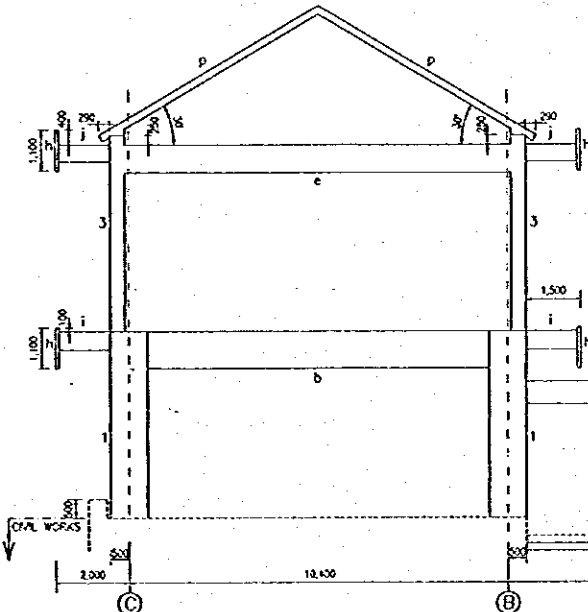
FRAMING LINE 1
SCALE A
Hb 1 23



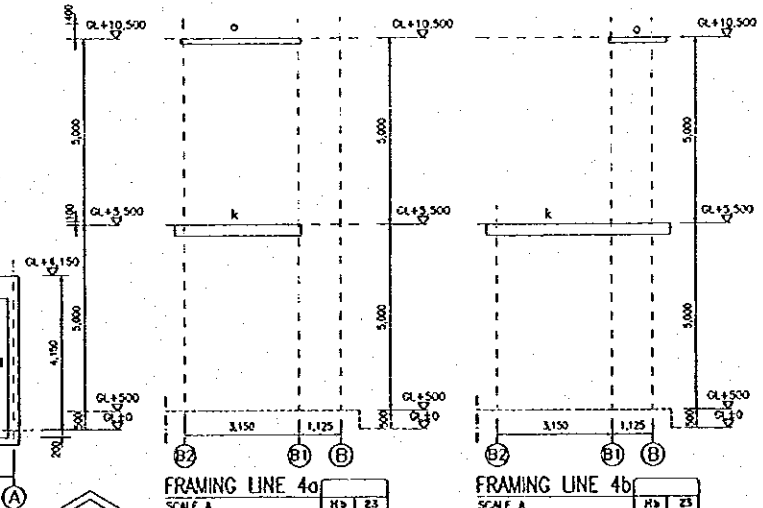
FRAMING LINE 2 & 3
SCALE A
Hb 1 23



FRAMING LINE B
SCALE A
Hb 1 23

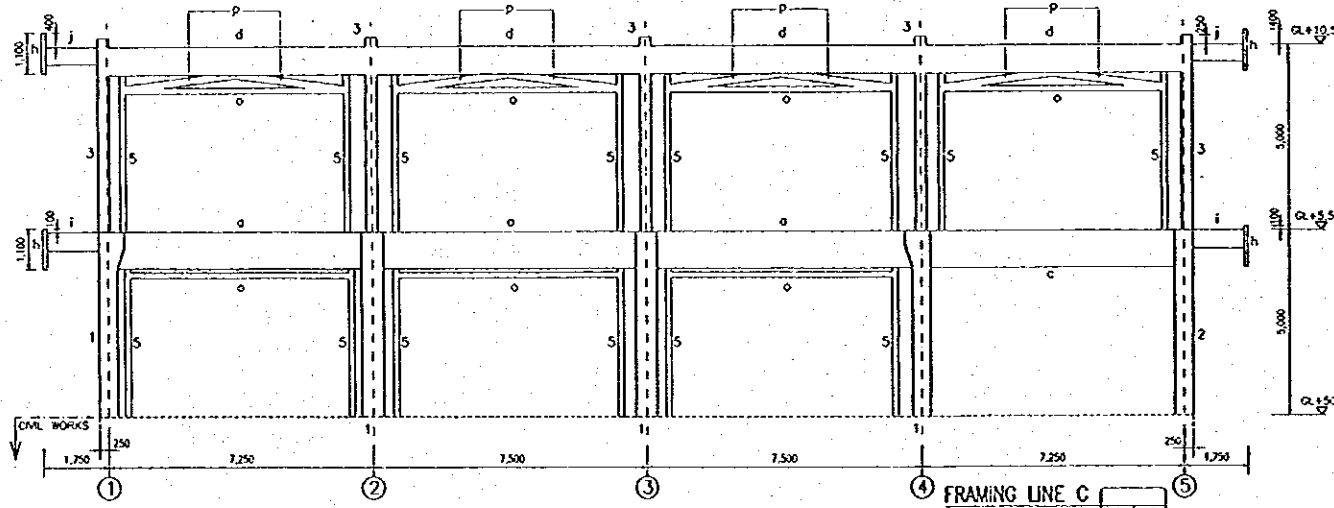


FRAMING LINE 4
SCALE A
Hb 1 23

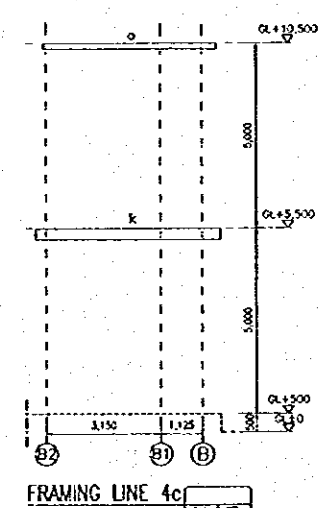


FRAMING LINE 4a
SCALE A
Hb 1 23

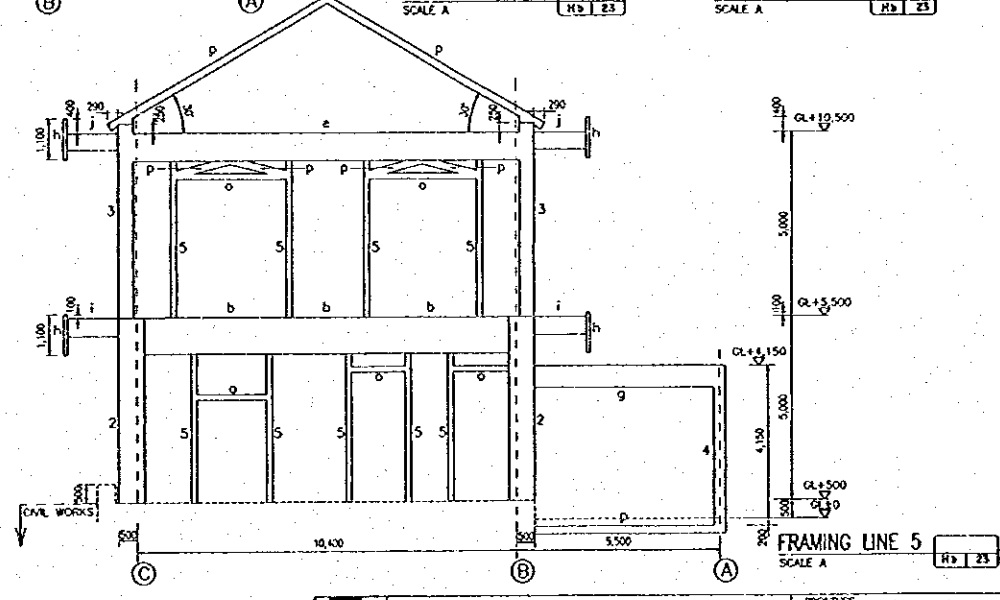
FRAMING LINE 4b
SCALE A
Hb 1 23



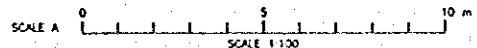
FRAMING LINE C
SCALE A
Hb 1 23



FRAMING LINE 4c
SCALE A
Hb 1 23



FRAMING LINE 5
SCALE A
Hb 1 23



NO	DATE	REVISIONS	ORIGINATED	DESIGNED	APPROVED

THE REPUBLIC OF INDONESIA MINISTRY OF PUBLIC WORKS DIRECTORATE GENERAL OF WATER RESOURCES DEVELOPMENT AND DIRECTORATE GENERAL OF HUMAN SETTLEMENT		PROVINCE CENTRAL JAVA
IRATUNSELUNA FLOOD CONTROL PROJECT COMPONENT : JATIBARANG DAM CONSTRUCTION JATIBARANG DAM HYDROPOWER STATION COMPLEX FRAMING ELEVATION HYDROPOWER STATION BUILDING		PROJECT NAME FLOOD CONTROL, URBAN DRAINAGE AND WATER RESOURCES DEVELOPMENT IN SENGARANG IN THE REPUBLIC OF INDONESIA
JAPAN INTERNATIONAL COOPERATION AGENCY (JICA) ENGINEERING CONSULTANTS PACIFIC CONSULTANTS INTERNATIONAL, INC. (PCI)		DISTRICT SEMARANG CITY
DESIGNED: <i>[Signature]</i> CHECKED: <i>[Signature]</i> CHIEF OF PLANNING AND DESIGN PROJECT MANAGER		DRAWING NO. JD-P1-HC-HB-23 SHEET NO. 243 DATE CONTRACT NO.

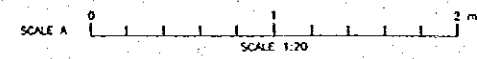
	COLUMN TYPE 1 (500x1,000)	COLUMN TYPE 2 (500x700)	COLUMN TYPE 3 (300x400)	COLUMN TYPE 4 (300x300)	COLUMN TYPE 5 (150x150)
ARRANGEMENT	16-025	16-025	8-025	8-025	4-#12
STIRRUP	#12 - Ø150	#12 - Ø150	#12 - Ø150	#12 - Ø200	#10 - Ø150
SECTION					

TYPICAL SECTION OF COLUMN REINFORCEMENT
SCALE A

	BEAM TYPE a (350x1,000)		BEAM TYPE b (400x1,000)		BEAM TYPE c (350x1,000)		BEAM TYPE d (300x750)		BEAM TYPE e (300x750)		BEAM TYPE f (350x700)		BEAM TYPE g (300x600)	
	LEFT AND RIGHT BAR	MD BAR	LEFT AND RIGHT BAR	MD BAR	LEFT AND RIGHT BAR	MD BAR	LEFT AND RIGHT BAR	MD BAR	LEFT AND RIGHT BAR	MD BAR	LEFT AND RIGHT BAR	MD BAR	LEFT AND RIGHT BAR	MD BAR
TOP	9-025	4-025	15-025	6-025	13-025	6-025	3-025	2-025	5-025	2-025	5-025	2-025	3-025	2-025
MIDDLE	4-#10	4-#10	4-#10	4-#10	4-#10	4-#10	4-#10	4-#10	4-#10	4-#10	4-#10	4-#10	4-#10	4-#10
BOTTOM	4-025	9-025	6-025	15-025	6-025	15-025	2-025	3-025	2-025	5-025	2-025	5-025	2-025	3-025
STIRRUP	#16 - Ø250	#16 - Ø250	#12 - Ø250	#12 - Ø250	#10 - Ø40	#10 - Ø40	#12 - Ø50	#12 - Ø50	#12 - Ø50	#12 - Ø50	#12 - Ø50	#12 - Ø50	#12 - Ø50	#12 - Ø50
SECTION														

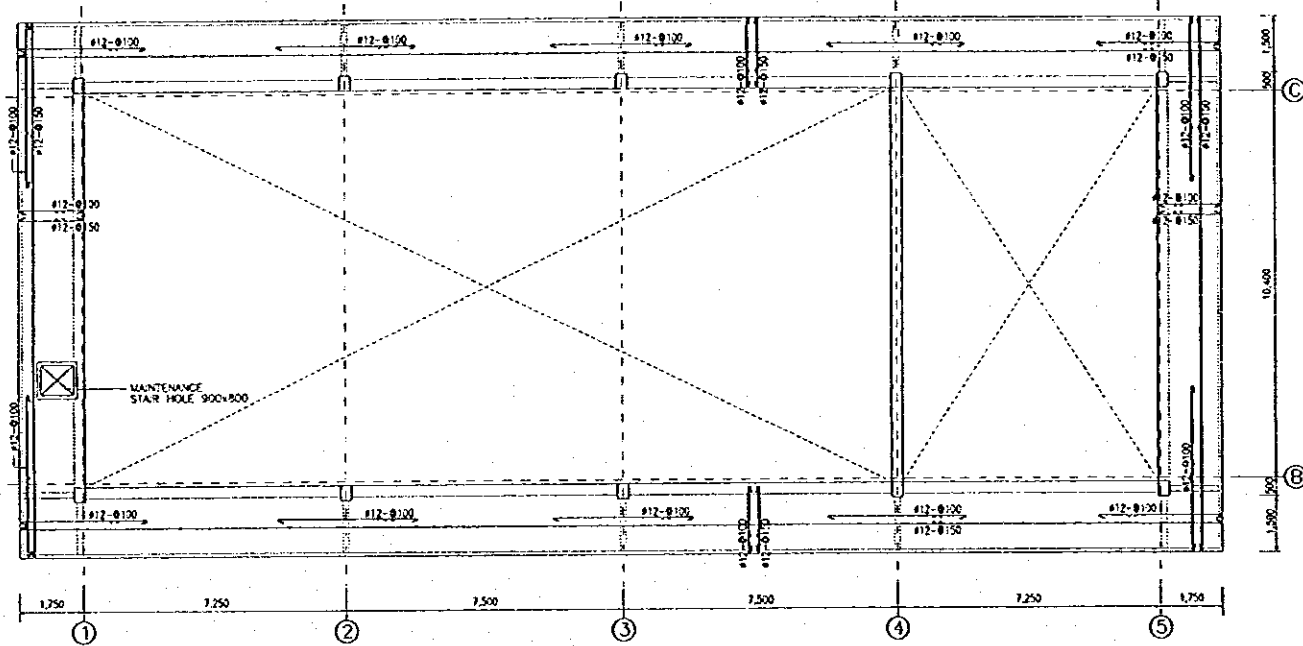
	BEAM TYPE h (100x1,100)	BEAM TYPE i (CONSOLE 200x500)	BEAM TYPE j (CONSOLE 200x450)	BEAM TYPE k (150x300)	BEAM TYPE l (CONSOLE 200x300)	BEAM TYPE m (100x750)	BEAM TYPE n (250x450)	BEAM TYPE o (150x150)	BEAM TYPE p (150x200)	BEAM TYPE q (100x220)
		LEFT, RIGHT, & MD BAR	LEFT, RIGHT, & MD BAR	LEFT, RIGHT, & MD BAR	LEFT, RIGHT, & MD BAR		LEFT AND RIGHT BAR	MD BAR	LEFT, RIGHT, & MD BAR	LEFT, RIGHT, & MD BAR
TOP	2-#10	6-025	3-025	2-025	3-025	2-#10	3-025	2-025	2-#12	2-#16
MIDDLE	12-#10	2-#10	2-#10	2-#10	2-#10	10-#10	2-#10	2-#10		
BOTTOM	2-#10	3-025	2-025	2-025	3-025	2-#10	2-025	3-025	2-#12	2-#16
STIRRUP	#5 - Ø150	#10 - Ø150	#10 - Ø150	#10 - Ø150	#10 - Ø150	#8 - Ø150	#10 - Ø150	#10 - Ø150	#8 - Ø200	#8 - Ø200
SECTION										

TYPICAL SECTION OF THE BEAM REINFORCEMENT
SCALE A

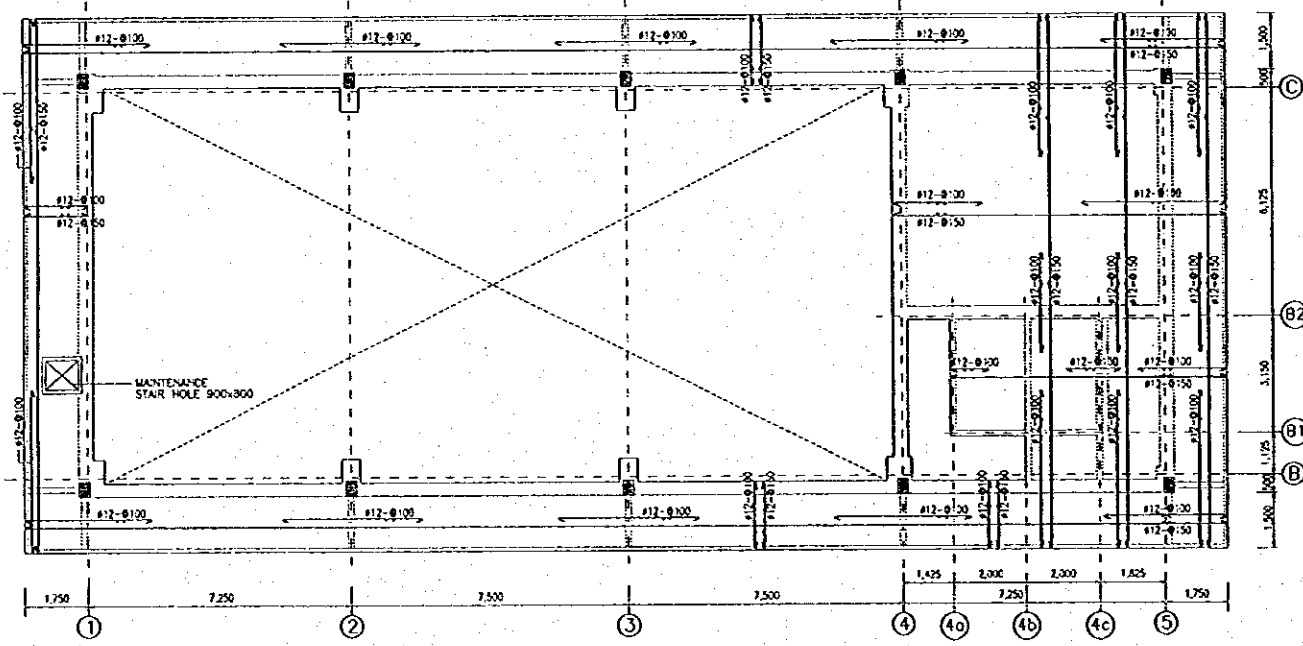


NO.	DATE	REVISIONS	ORIGINATED	DESIGNED	APPROVED

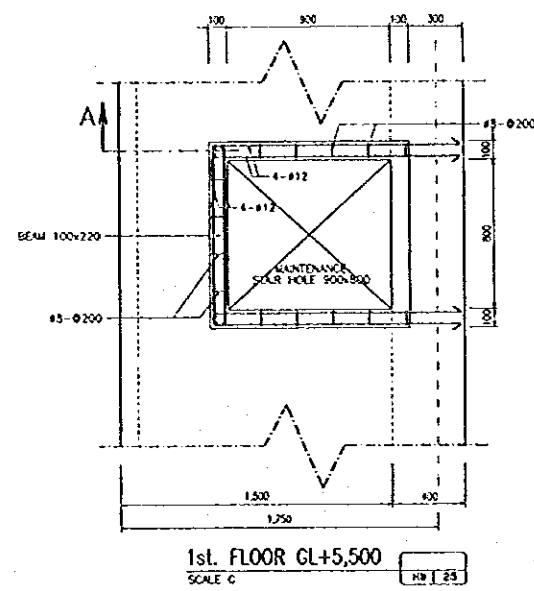
THE REPUBLIC OF INDONESIA MINISTRY OF PUBLIC WORKS DIRECTORATE GENERAL OF WATER RESOURCES DEVELOPMENT AND DIRECTORATE GENERAL OF HUMAN SETTLEMENT		PROVINCE CENTRAL JAVA
JATUNSELUNA FLOOD CONTROL PROJECT COMPONENT : JATIBARANG DAM CONSTRUCTION JATIBARANG DAM HYDROPOWER STATION COMPLEX COLUMN AND THE BEAM DETAIL HYDROPOWER STATION BUILDING		PROJECT NAME FLOOD CONTROL, URBAN DRAINAGE AND WATER RESOURCES DEVELOPMENT IN SEMARANG IN THE REPUBLIC OF INDONESIA
DESIGNED: <i>[Signature]</i> CHECKED: <i>[Signature]</i> CHIEF OF PLANNING AND DESIGN PROJECT MANAGER		DISTRICT SEMARANG CITY DRAWING NO. JO - IH - HC - 16 - 24 SHEET NO. 244
DATE CONTRACT NO.		DATE CONTRACT NO.



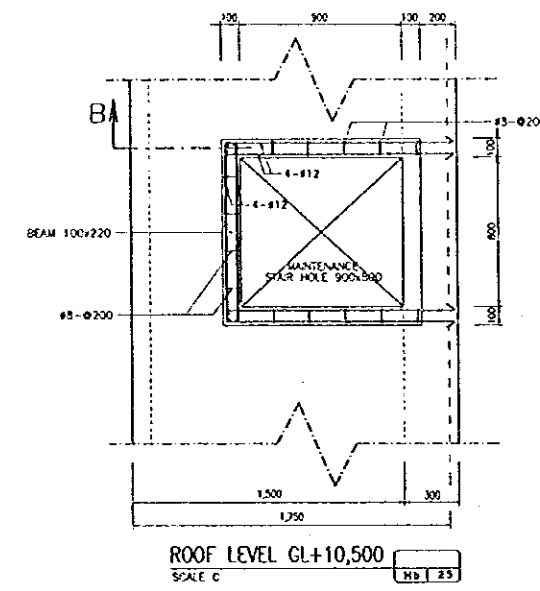
ROOF LEVEL SLAB PLAN
GL+10,500
SCALE B



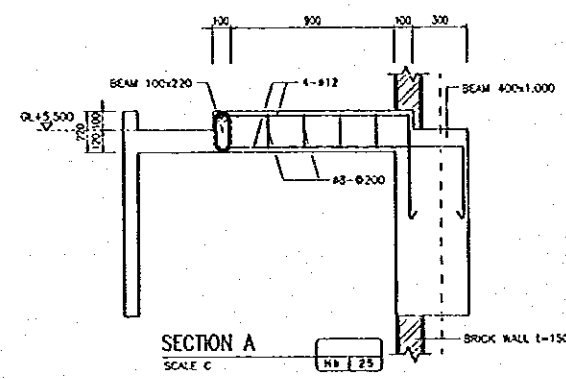
2nd. FLOOR SLAB PLAN
GL+5,500
SCALE B



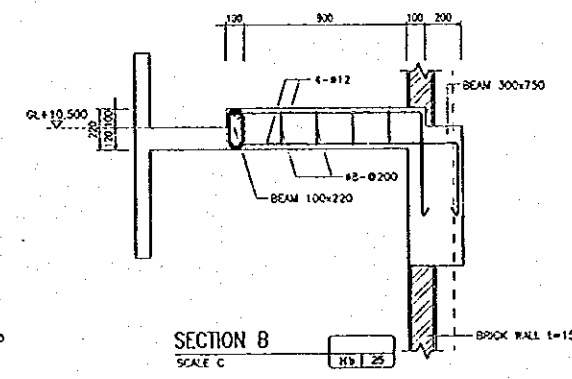
1st. FLOOR GL+5,500
SCALE C



ROOF LEVEL GL+10,500
SCALE C

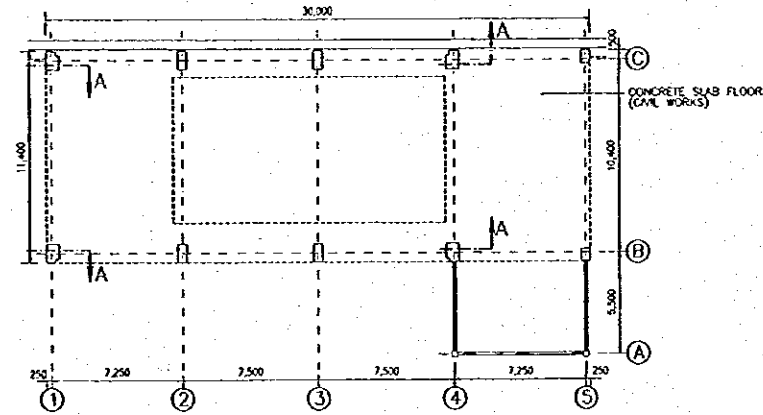


SECTION A
SCALE C

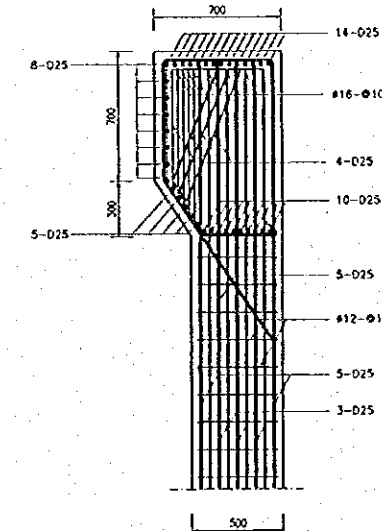


SECTION B
SCALE C

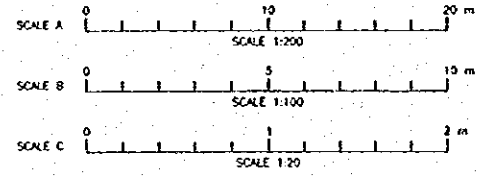
MAINTENANCE STAIR HOLE DETAIL



KEY PLAN
SCALE A

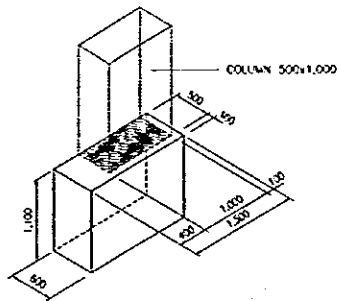
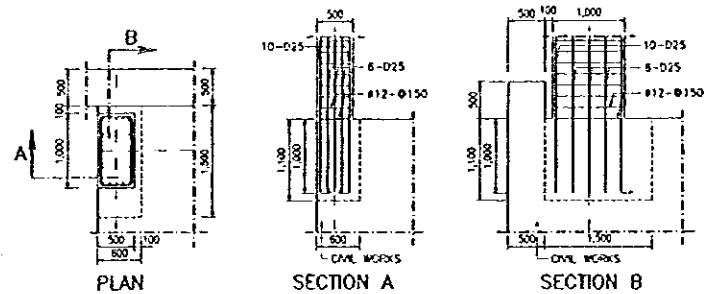


DETAIL SECTION A
SCALE C

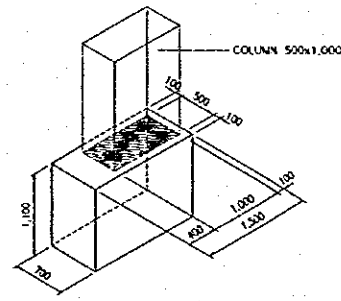
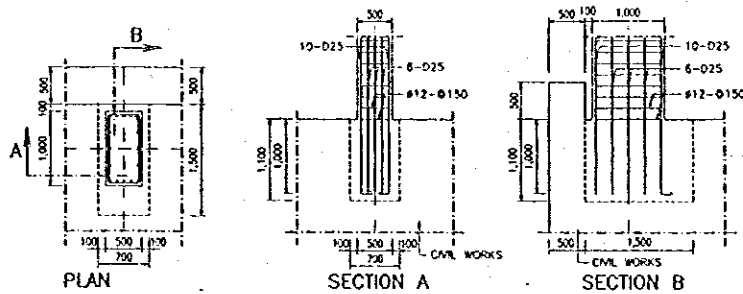


NO	DATE	REVISIONS	ORIGINATED	DESIGNED	APPROVED

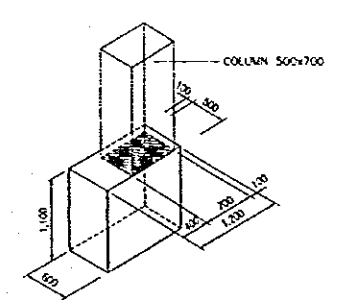
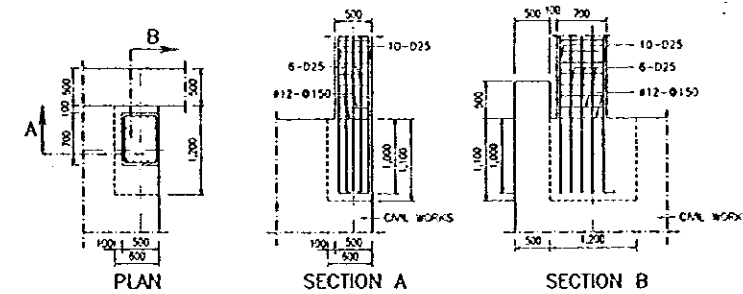
THE REPUBLIC OF INDONESIA MINISTRY OF PUBLIC WORKS DIRECTORATE GENERAL OF WATER RESOURCES DEVELOPMENT AND DIRECTORATE GENERAL OF HUMAN SETTLEMENT		PROVINCE CENTRAL JAWA
IRATUNSELUNA FLOOD CONTROL PROJECT COMPONENT : JATIBARANG DAM CONSTRUCTION JATIBARANG DAM HYDROPOWER STATION COMPLEX SLAB PLAN, MAINTENANCE STAIR HOLE DETAIL, AND CANTILEVER DETAIL HYDROPOWER STATION BUILDING		PROJECT NAME FLOOD CONTROL, URBAN DRAINAGE AND WATER RESOURCES DEVELOPMENT OF SEMARANG IN THE REPUBLIC OF INDONESIA
LUPUS INTERNATIONAL COOPERATION AGENCY CIVIL ENGINEERING COLLEGE IN ASSOCIATION WITH PACIFIC COAST LABOR INTERNATIONAL AND PACIFIC INTERNATIONAL INC.		DISTRICT SEMARANG CITY
DESIGNED CHECKED CHIEF OF PLANNING AND DESIGN		DRAWING NO. JD-H1-HC-HB-25 SHEET NO. 245
DATE		CONTRACT NO.



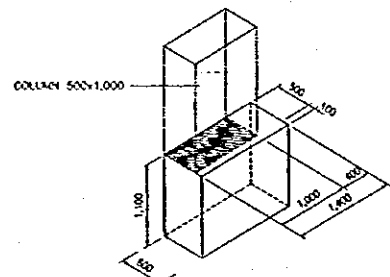
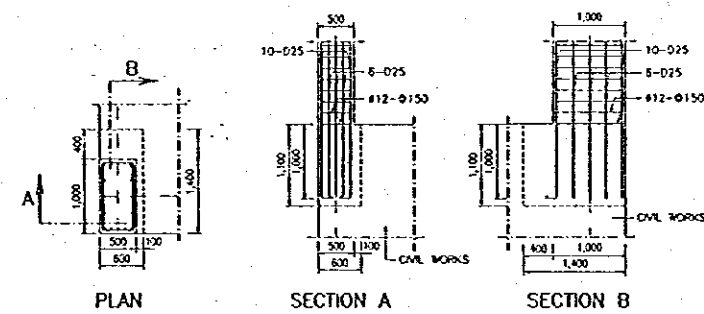
SECOND STAGE CONCRETE ISOMETRIC SCALE B



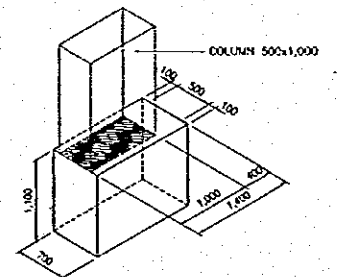
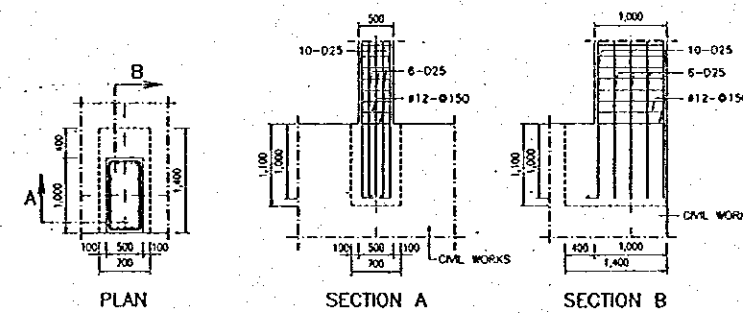
SECOND STAGE CONCRETE ISOMETRIC SCALE B



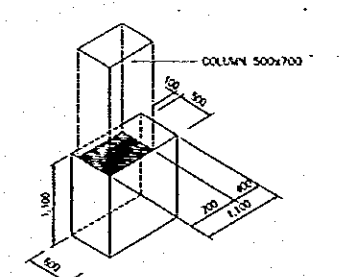
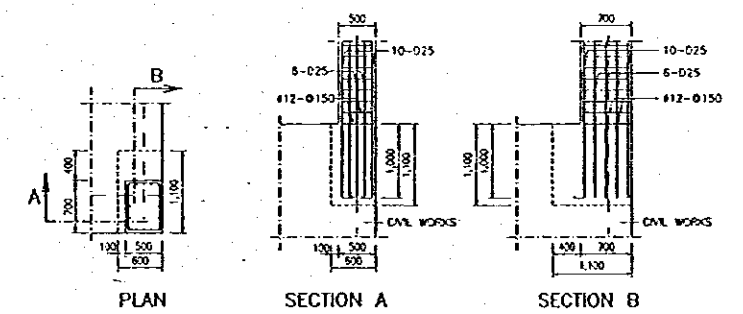
SECOND STAGE CONCRETE ISOMETRIC SCALE B



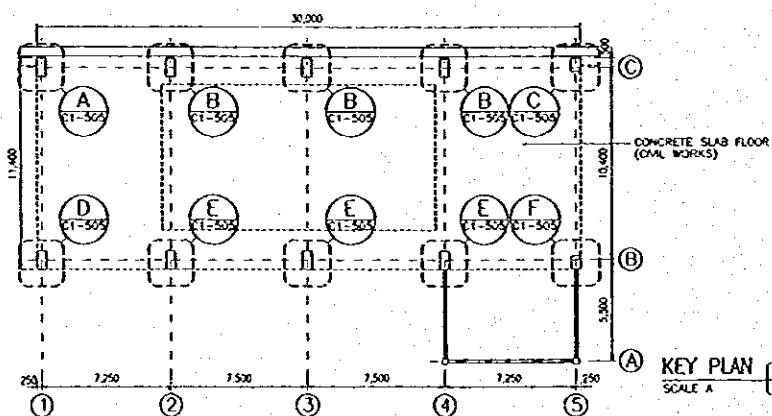
SECOND STAGE CONCRETE ISOMETRIC SCALE B



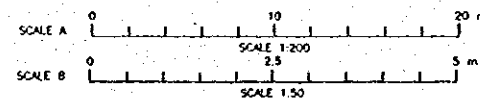
SECOND STAGE CONCRETE ISOMETRIC SCALE B



SECOND STAGE CONCRETE ISOMETRIC SCALE B

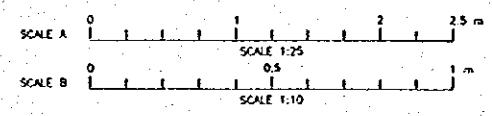
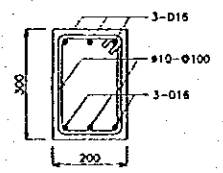
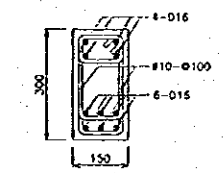
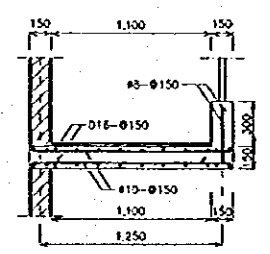
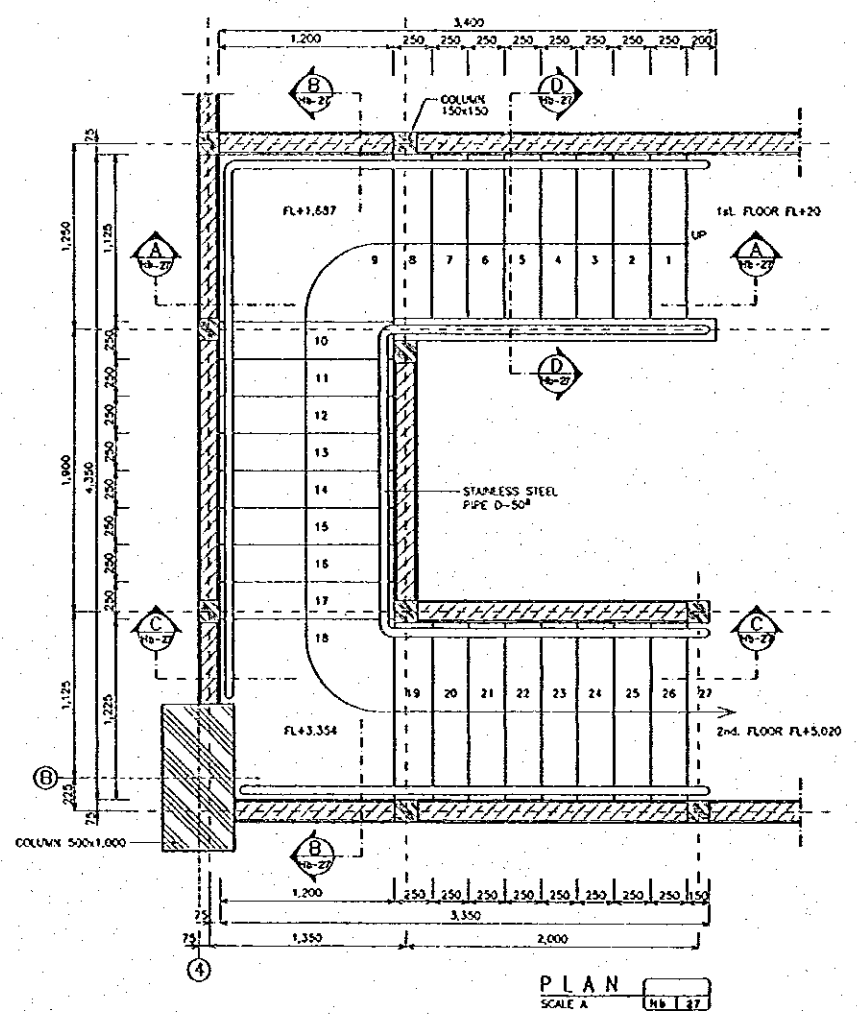
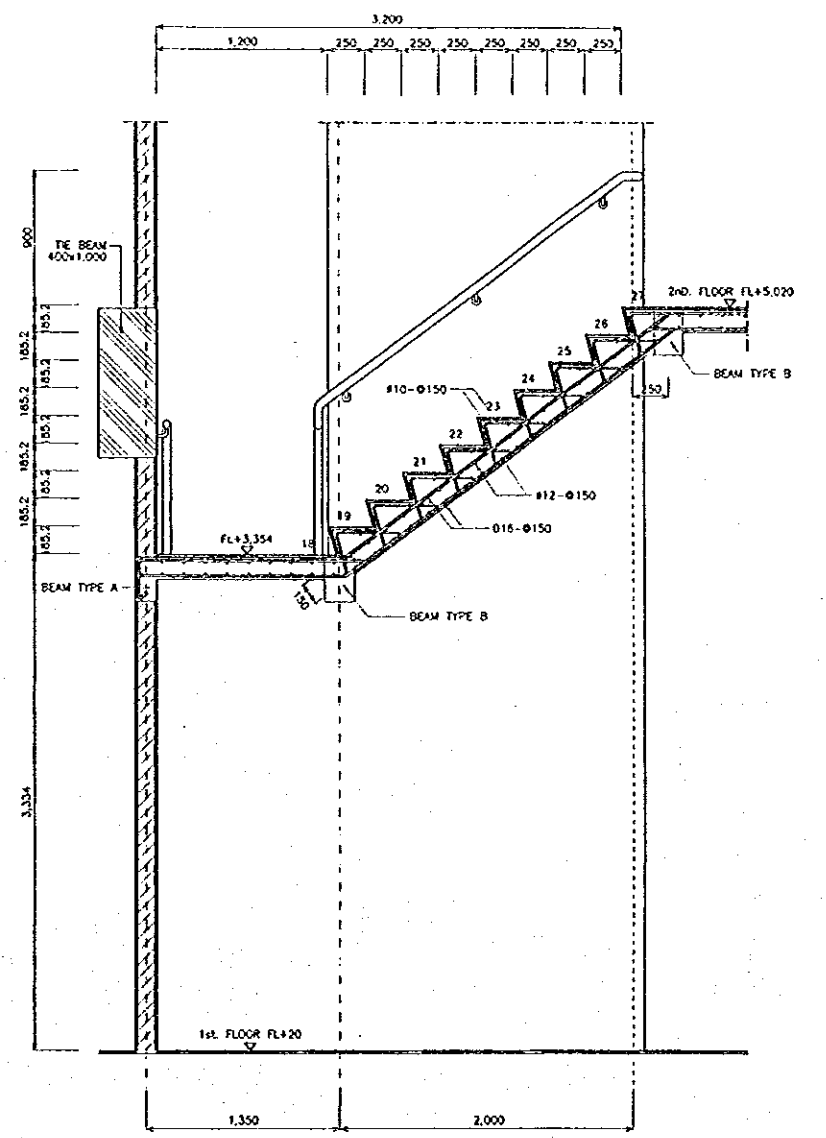
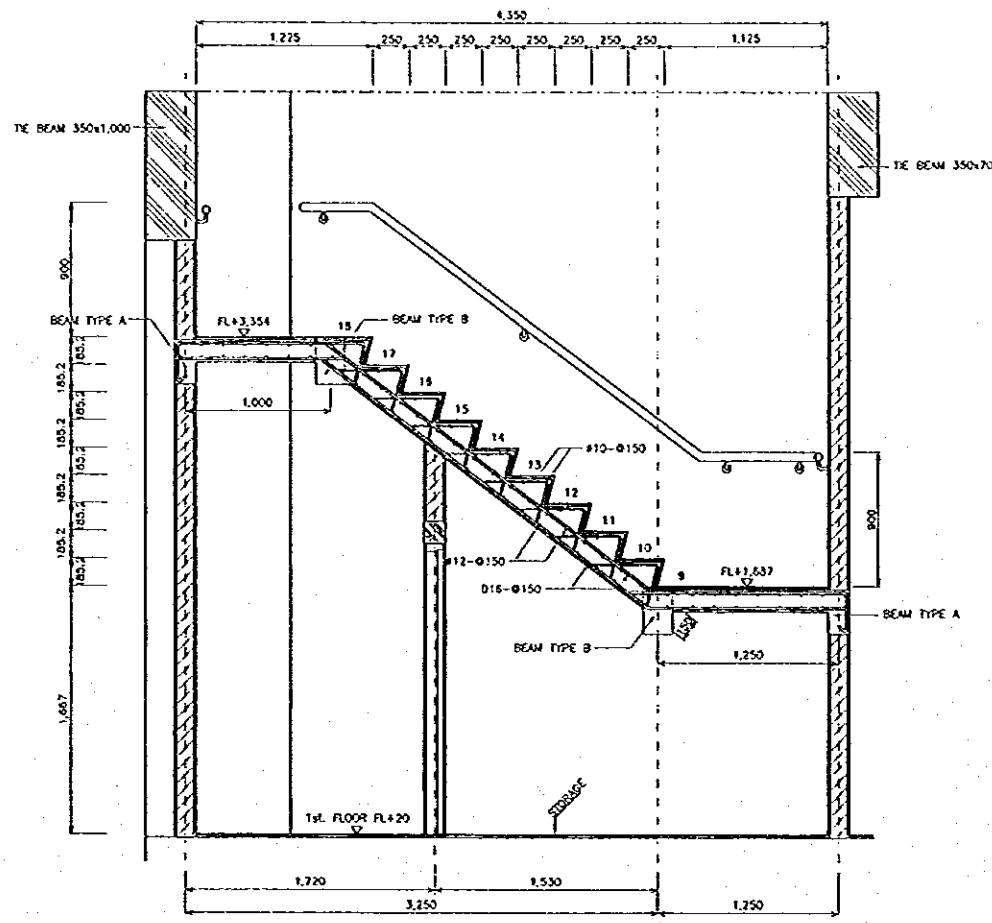
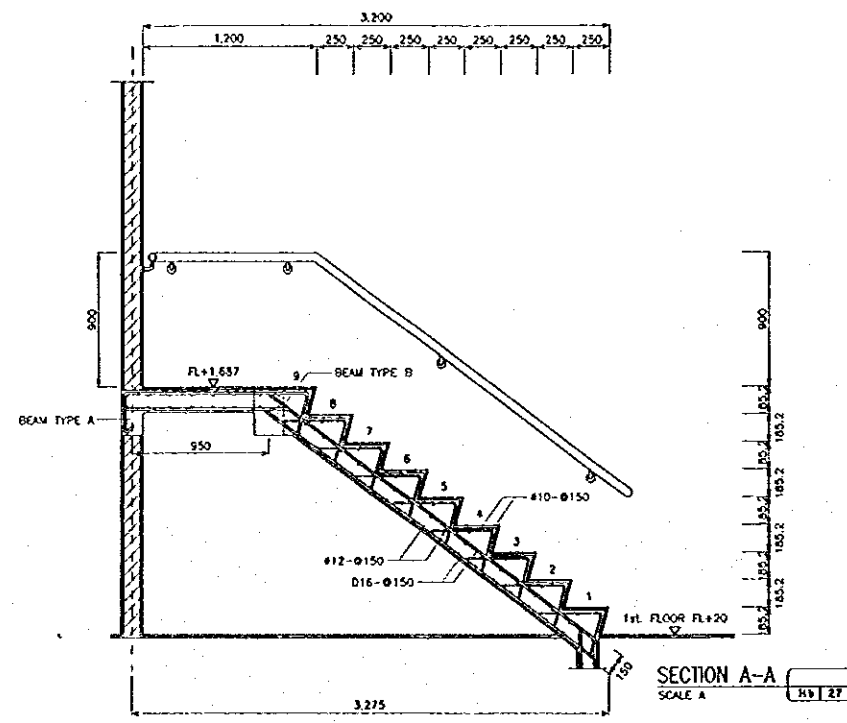


KEY PLAN SCALE A



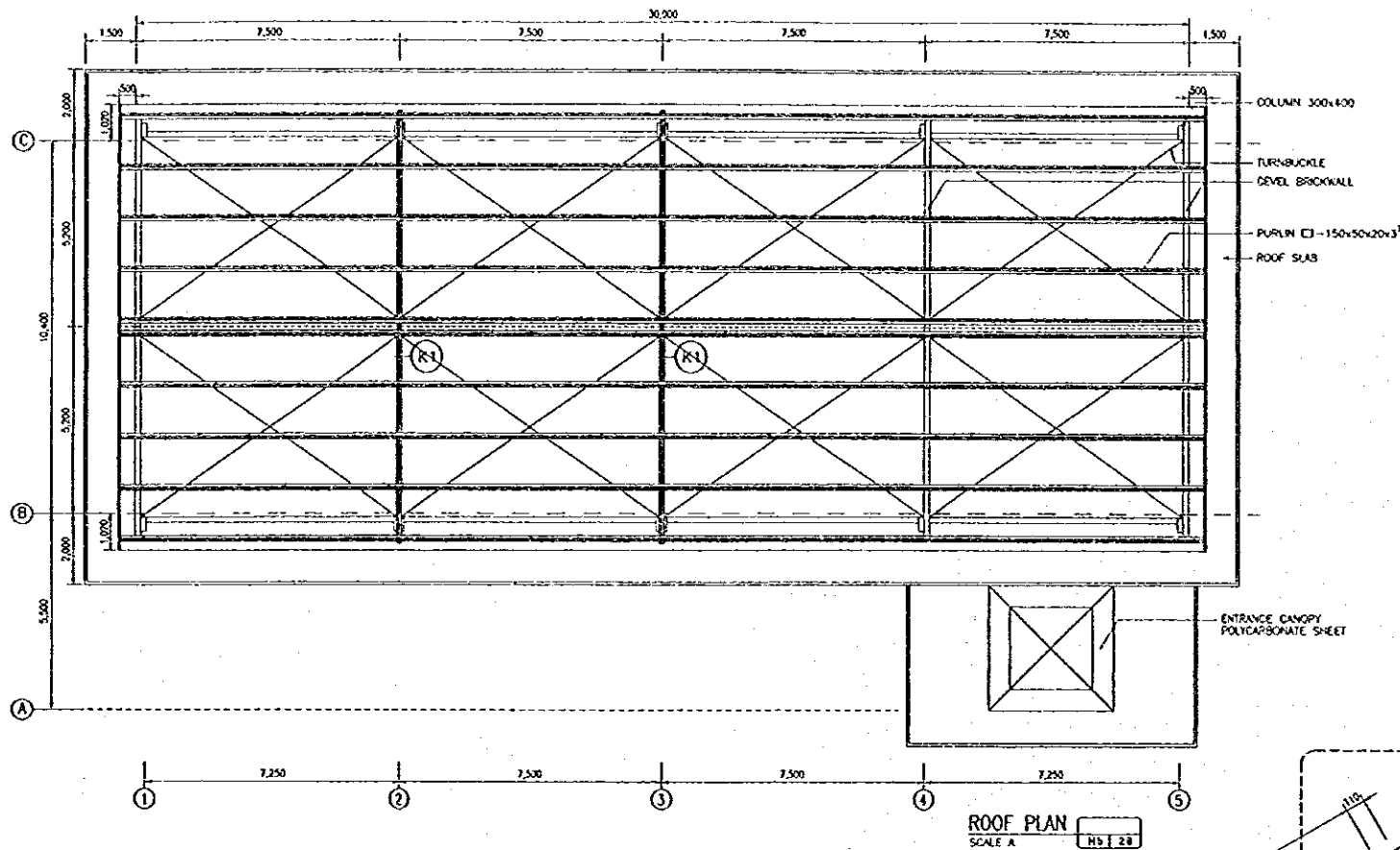
NO	DATE	REVISIONS	ORIGINATED	DESIGNED	APPROVED

	THE REPUBLIC OF INDONESIA MINISTRY OF PUBLIC WORKS DIRECTORATE GENERAL OF WATER RESOURCES DEVELOPMENT AND DIRECTORATE GENERAL OF HUMAN SETTLEMENT	PROVINCE: CENTRAL JAVA PROJECT NAME: FLOOD CONTROL, URBAN DRAINAGE AND WATER RESOURCES DEVELOPMENT IN SEMARANG IN THE REPUBLIC OF INDONESIA DISTRICT: SEMARANG CITY DRAWING NO. JO-P1-HC-HB-26 SHEET NO. 245
	JATISSELUNA FLOOD CONTROL PROJECT COMPONENT: JATIBARANG DAM CONSTRUCTION JATIBARANG DAM HYDROPOWER STATION COMPLEX DETAIL SECTION OF COLUMN, CONCRETE SLAB FLOOR JOINT, AND BOX OF SECOND STAGE CONCRETE HYDROPOWER STATION BUILDING	DATE: _____ CONTRACT NO: _____
	JAPAN INTERNATIONAL COOPERATION AGENCY CITY DEVELOPMENT CO. LTD. (AFFILIATED WITH PACIFIC CONSTRUCTION INTERNATIONAL, INC. AND JALCO INTERNATIONAL, INC.)	DESIGNED: <i>[Signature]</i> CHECKED: <i>[Signature]</i>
	EDGE OF PLANNING AND DESIGN PROJECT MANAGER	DATE: <i>[Signature]</i>



NO.	DATE	REVISIONS	ORIGINATED	DESIGNED	APPROVED	APPROVED

THE REPUBLIC OF INDONESIA MINISTRY OF PUBLIC WORKS DIRECTORATE GENERAL OF WATER RESOURCES DEVELOPMENT AND DIRECTORATE GENERAL OF HUMAN SETTLEMENT		PROVINCE CENTRAL JAVA
IRATUNSELUNA FLOOD CONTROL PROJECT COMPONENT : JATIBARANG DAM CONSTRUCTION JATIBARANG DAM HYDROPOWER STATION COMPLEX STAIR DETAIL HYDROPOWER STATION BUILDING		PROJECT NAME FLOOD CONTROL, URBAN DRAINAGE AND WATER RESOURCES DEVELOPMENT IN SEMARANG BY THE REPUBLIC OF INDONESIA
DWAN INTERNATIONAL COOPERATION AGENCY CITY ENGINEERING CO. LTD. IN ASSOCIATION WITH PACIFIC CONSULTANTS INTERNATIONAL AND PAKSI INTERNATIONAL INC.		DISTRICT SEMARANG CITY
DESIGNED CHECKED CHIEF OF PLANNING AND DESIGN PROJECT MANAGER	DATE CONTRACT NO.	DRAWING NO. JD-H1-HC-12b-27 SHEET NO. 247

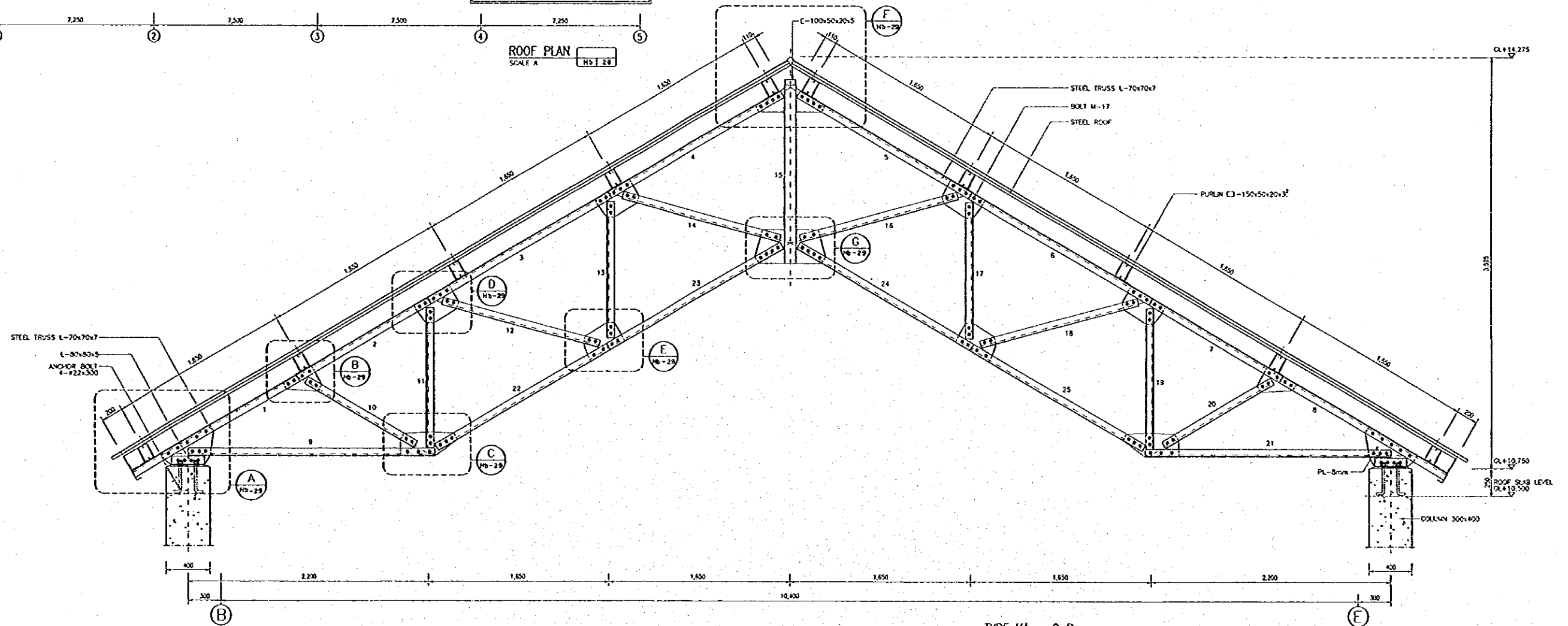


MEMBER LIST TYPE K1

2 Pcs

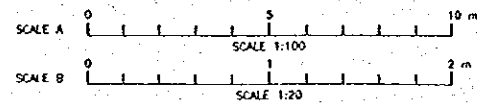
NO MEMBER	PROFILE	TOTAL	BOLTS		DISTANCE		NOTE
			#mm	a mm	b mm		
1 = 8	T-70x70x7	5-2	17	40	60		
2 = 7	T-70x70x7	2-2	17	40	80		
3 = 6	T-70x70x7	3-2	17	40	60		
4 = 5	T-70x70x7	3-4	17	40	60		
9 = 21	L-70x70x7	3-3	17	40	60		
10 = 20	L-70x70x7	2-2	17	40	60		
11 = 19	L-70x70x7	2-2	17	40	60		
12 = 18	L-70x70x7	2-2	17	40	60		
13 = 17	L-70x70x7	2-2	17	40	80		
14 = 16	L-70x70x7	2-2	17	40	60		
15	PIPE Ø 101 ⁸	-	-	-	-		
22 = 25	L-70x70x7	3-2	17	40	60		
23 = 24	L-70x70x7	2-4	17	40	60		

ROOF PLAN
SCALE A
Hb I 28



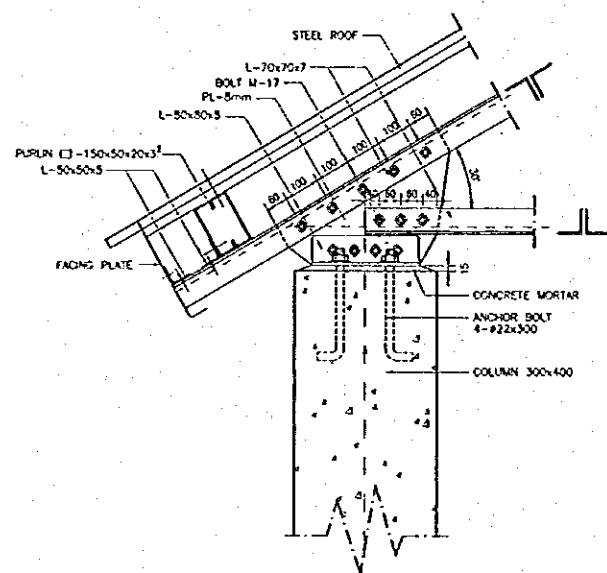
TYPE K1 -- 2 Pcs

SCALE B
Hb I 28

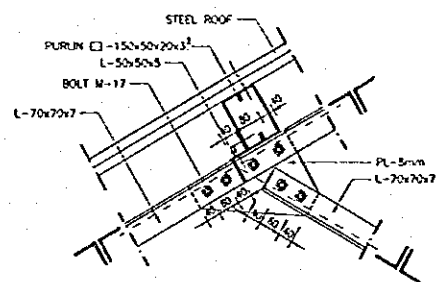


NO	DATE	REVISIONS	ORGANIZED	DESIGNED	APPROVED

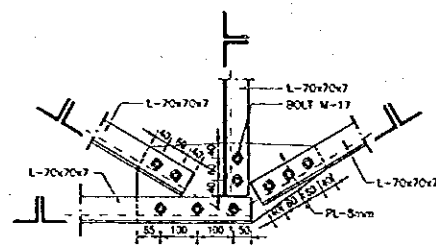
<p>THE REPUBLIC OF INDONESIA MINISTRY OF PUBLIC WORKS DIRECTORATE GENERAL OF WATER RESOURCES DEVELOPMENT AND DIRECTORATE GENERAL OF HUMAN SETTLEMENT</p>	PROVINCE	CENTRAL JAVA
	PROJECT NAME	FLOOD CONTROL, GREAT DRAINAGE AND WATER RESOURCES DEVELOPMENT IN SEMARANG IN THE REPUBLIC OF INDONESIA
	DISTRICT	SEMARANG CITY
	DRAWING NO. JO - P1 - HC - Hb - 28	SHEET NO. 248
<p>JATISSELUNA FLOOD CONTROL PROJECT COMPONENT - JATIBARANG DAM CONSTRUCTION JATIBARANG DAM HYDROPOWER STATION COMPLEX ROOF STRUCTURE HYDROPOWER STATION</p>	DESIGNED	DATE
<p>INTERNATIONAL COOPERATION AGENCY CI ENGINEERING CO. LTD. IN ASSOCIATION WITH PACIFIC POWER PARTNERS INTERNATIONAL, INC. PACIFIC INTERNATIONAL, INC.</p>	CHECKED	DATE
<p>CHIEF OF PLANNING AND DESIGN PROJECT MANAGER</p>	APPROVED	DATE



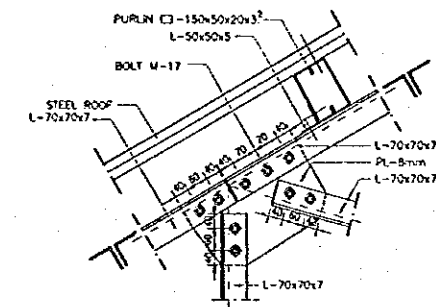
DETAIL A
SCALE A
Hb 1 29



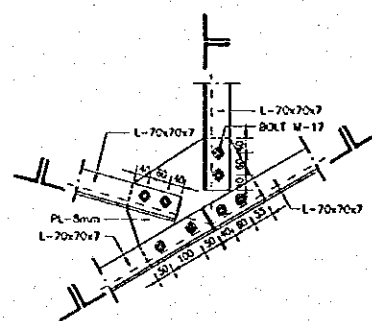
DETAIL B
SCALE A
Hb 1 29



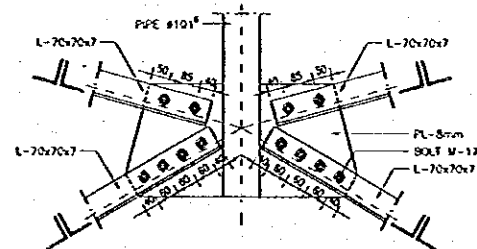
DETAIL C
SCALE A
Hb 1 29



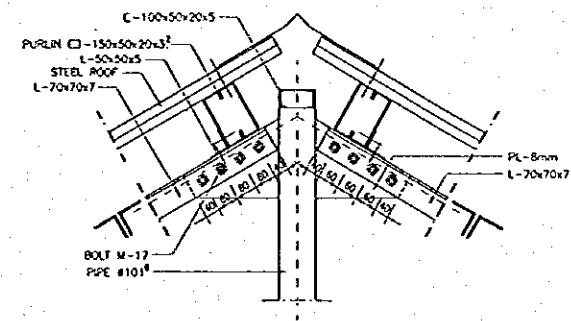
DETAIL D
SCALE A
Hb 1 29



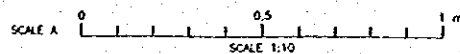
DETAIL E
SCALE A
Hb 1 29



DETAIL F
SCALE A
Hb 1 29

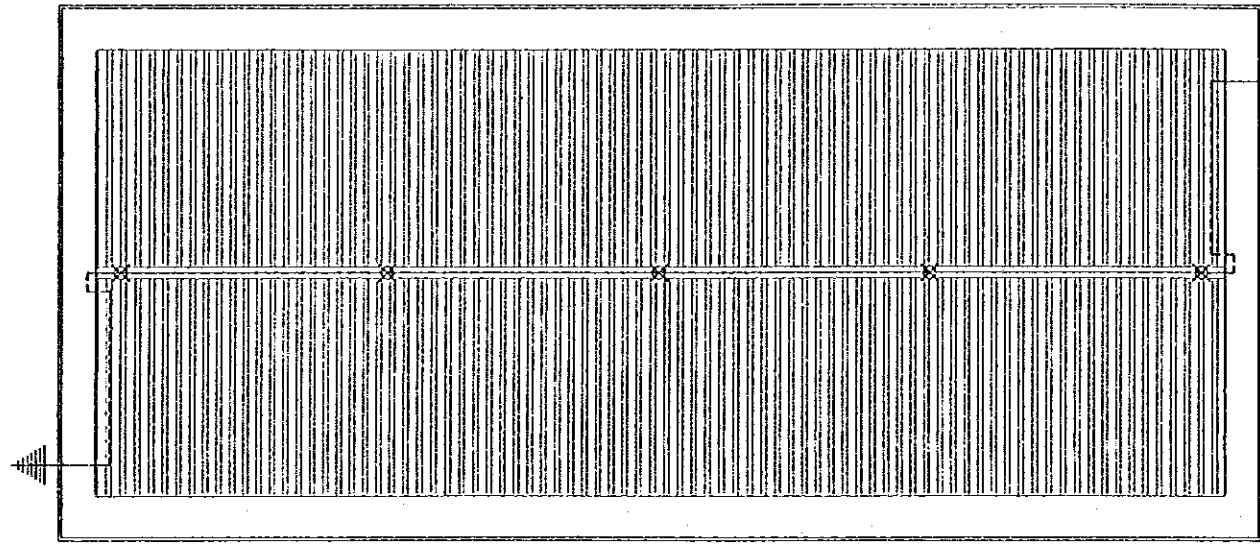


DETAIL G
SCALE A
Hb 1 29

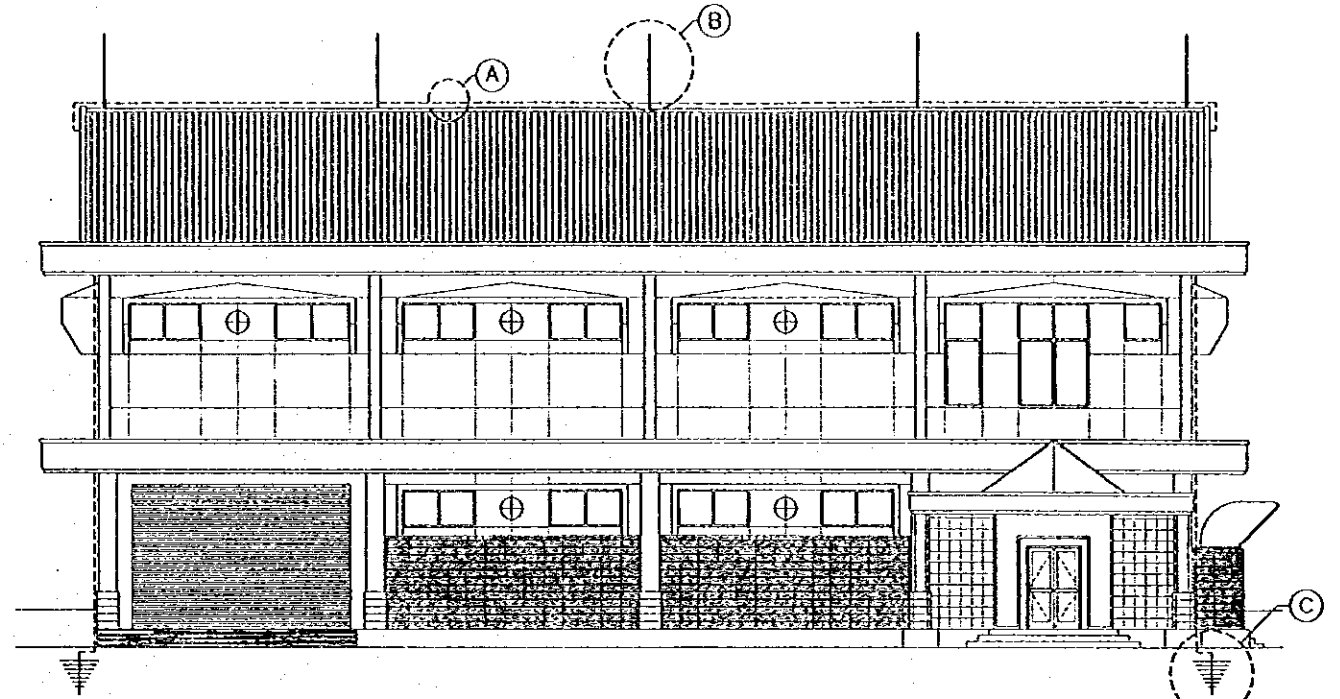


NO.	DATE	REVISIONS	ORIGINATED	DESIGNED	APPROVED

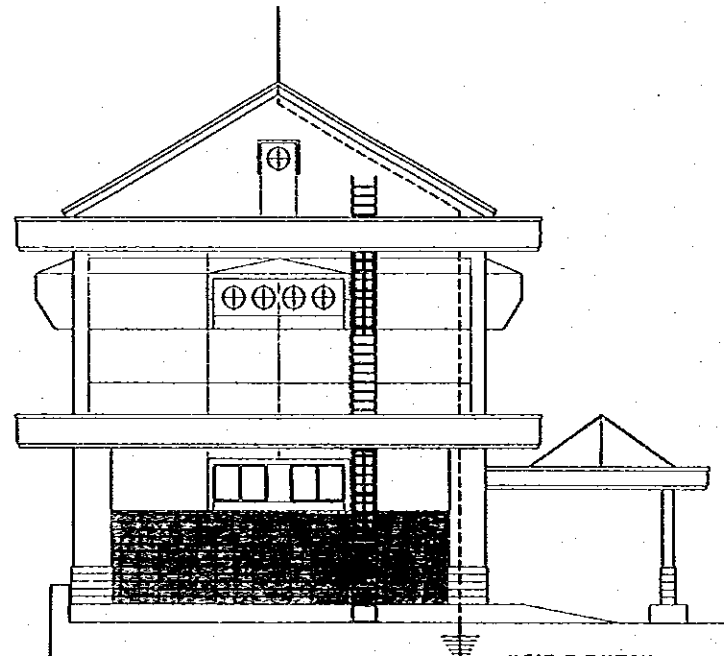
	THE REPUBLIC OF INDONESIA MINISTRY OF PUBLIC WORKS DIRECTORATE GENERAL OF WATER RESOURCES DEVELOPMENT AND DIRECTORATE GENERAL OF HUMAN SETTLEMENT	PROVINCE CENTRAL JAVA
	JATUNSELUNA FLOOD CONTROL PROJECT COMPONENT - JATIBARANG DAM CONSTRUCTION JATIBARANG DAM HYDROPOWER STATION COMPLEX ROOF DETAIL HYDROPOWER STATION	PROJECT NAME FLOOD CONTROL DRAINAGE AND WATER RESOURCES DEVELOPMENT IN SEMARANG IN THE REPUBLIC OF INDONESIA
	JATI INTERNATIONAL CORPORATION CIVIL ENGINEERING CONSULTING AND ARCHITECTURE PACIFIC CORPORAAL INTERNATIONAL JSC JATI INTERNATIONAL INC.	DISTRICIT SEMARANG CITY
	DESIGNED: <i>[Signature]</i> CHECKED: <i>[Signature]</i> CEEIP OF PLANNING AND DESIGN PROJECT MANAGER	DRAWING NO. JD - PI - HC - Hb - 29 SHEET NO. 249 DATE: _____ CONTRACT NO. _____



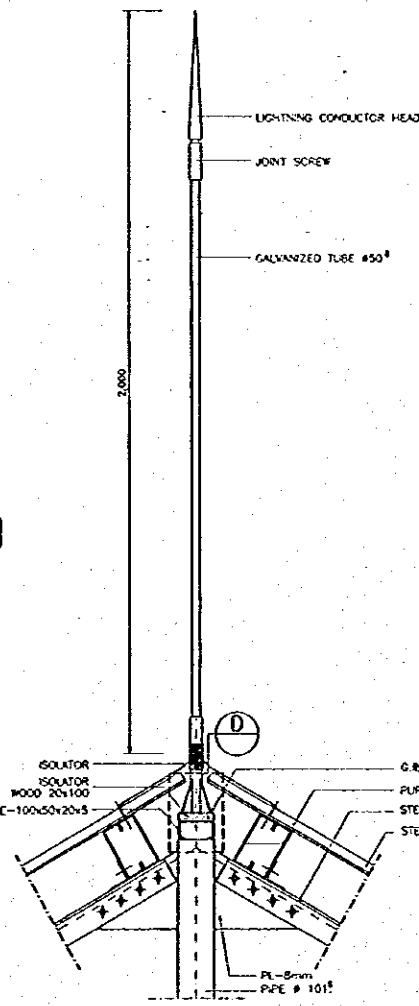
LIGHTNING CONDUCTOR DIAGRAM
SCALE A



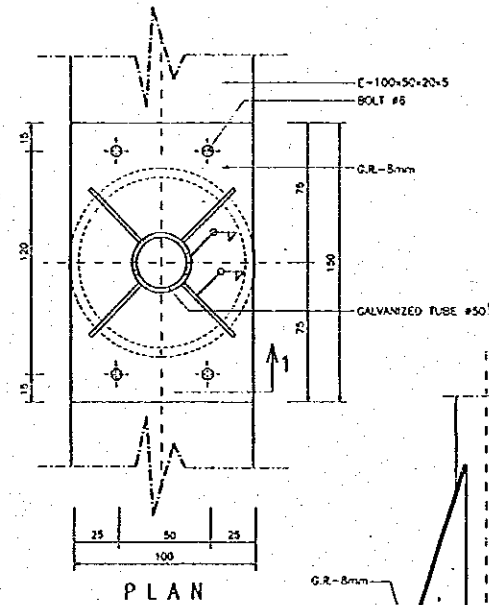
SOUTH ELEVATION
SCALE A



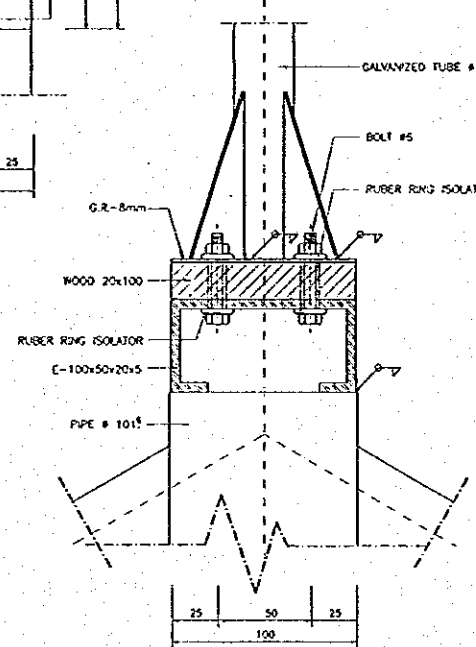
WEST ELEVATION
SCALE A



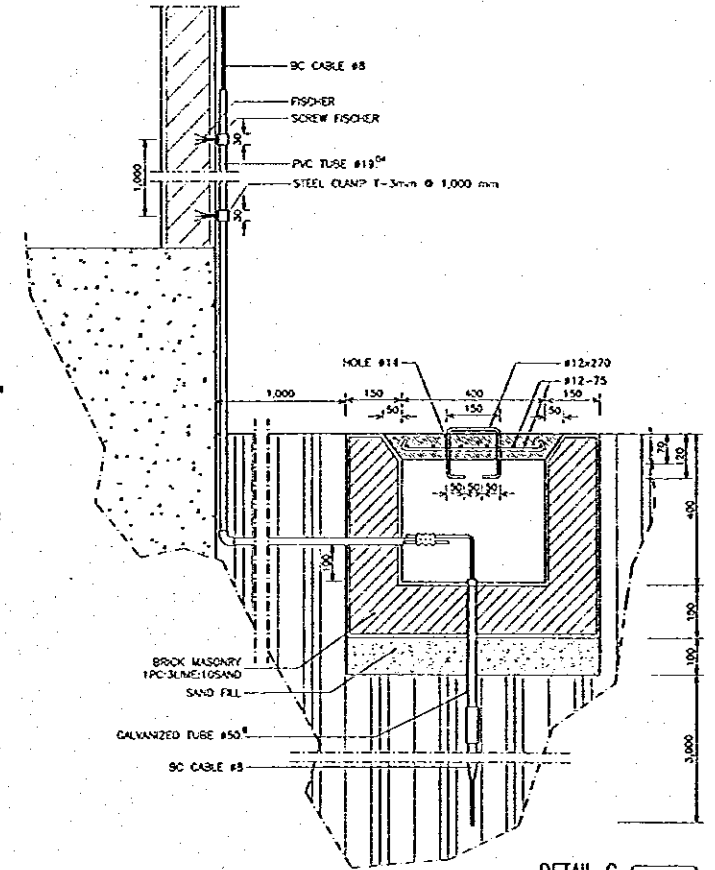
DETAIL B
SCALE B



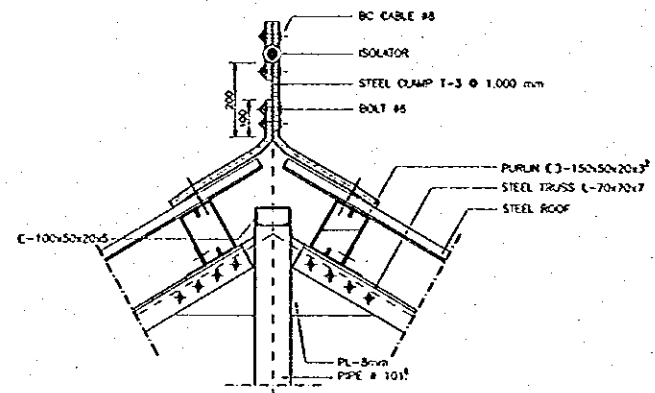
PLAN



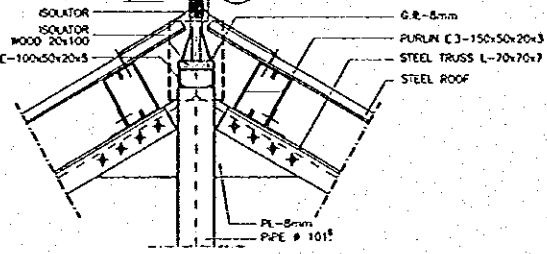
SECTION 1



DETAIL C
SCALE B

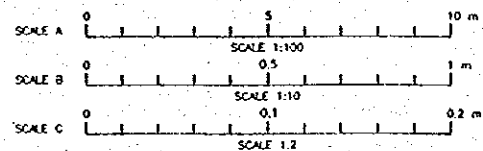


DETAIL A
SCALE B



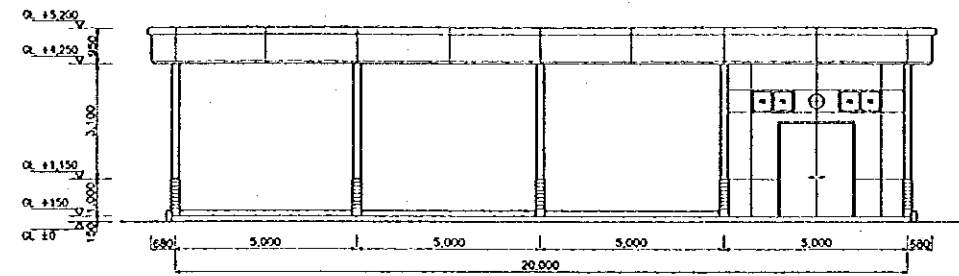
DETAIL B
SCALE B

DETAIL D
SCALE C

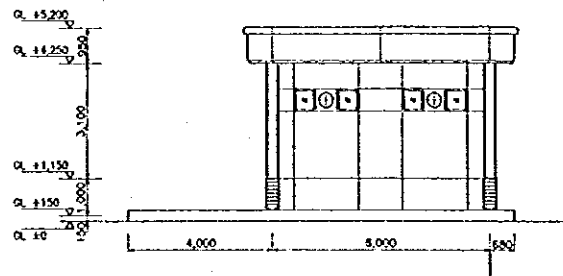


NO.	DATE	REVISIONS	ORIGINATED	DESIGNED	APPROVED

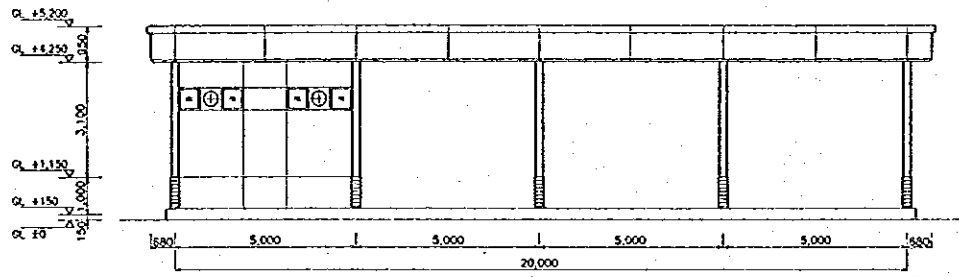
<p>THE REPUBLIC OF INDONESIA MINISTRY OF PUBLIC WORKS DIRECTORATE GENERAL OF WATER RESOURCES DEVELOPMENT AND DIRECTORATE GENERAL OF URBAN SETTLEMENT</p>	PROVINCE	CENTRAL JAVA
	PROJECT NAME	FLOOD CONTROL, DRAINAGE AND WATER RESOURCES DEVELOPMENT OF SEMARANG OF THE REPUBLIC OF INDONESIA
	DISTRICT	SEMARANG CITY
	DRAWING NO.	JD-P1-NC-1B-30
<p>JATIBARANG DAM HYDROPOWER STATION COMPLEX LIGHTNING CONDUCTOR PLAN AND DETAIL HYDROPOWER STATION</p>		SHEET NO. 250
<p>JALAN INTERNATIONAL COOPERATION AGENCY CIJINGREK, 40132 BANDUNG, INDONESIA PACIFIC CONSULTANTS INTERNATIONAL AND PACIFIC INTERNATIONAL INC.</p>		DATE
<p>DESIGNED: <i>[Signature]</i> CHECKER: <i>[Signature]</i></p>		CONTRACT NO.
<p>APPROVED: <i>[Signature]</i> CHIEF OF PLANNING AND DESIGN PROJECT MANAGER</p>		



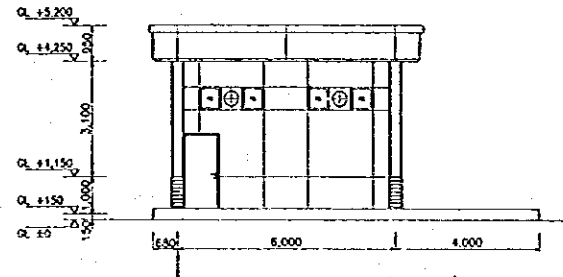
EAST ELEVATION
SCALE A



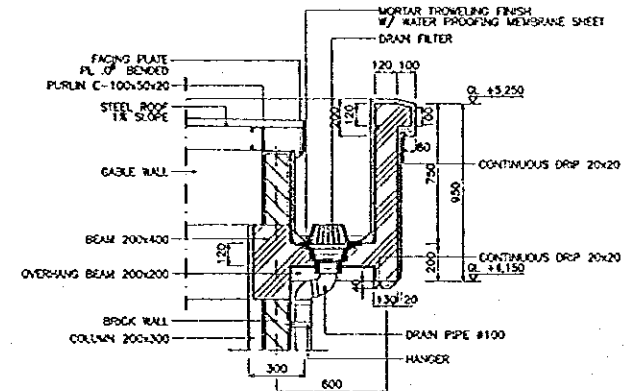
NORTH ELEVATION
SCALE A



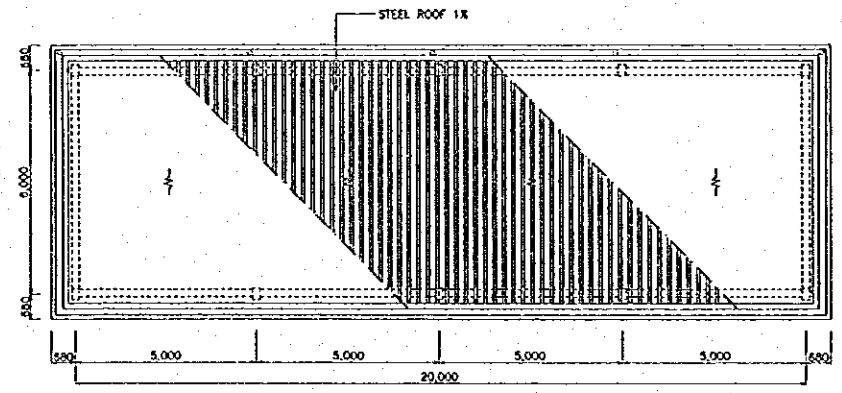
WEST ELEVATION
SCALE A



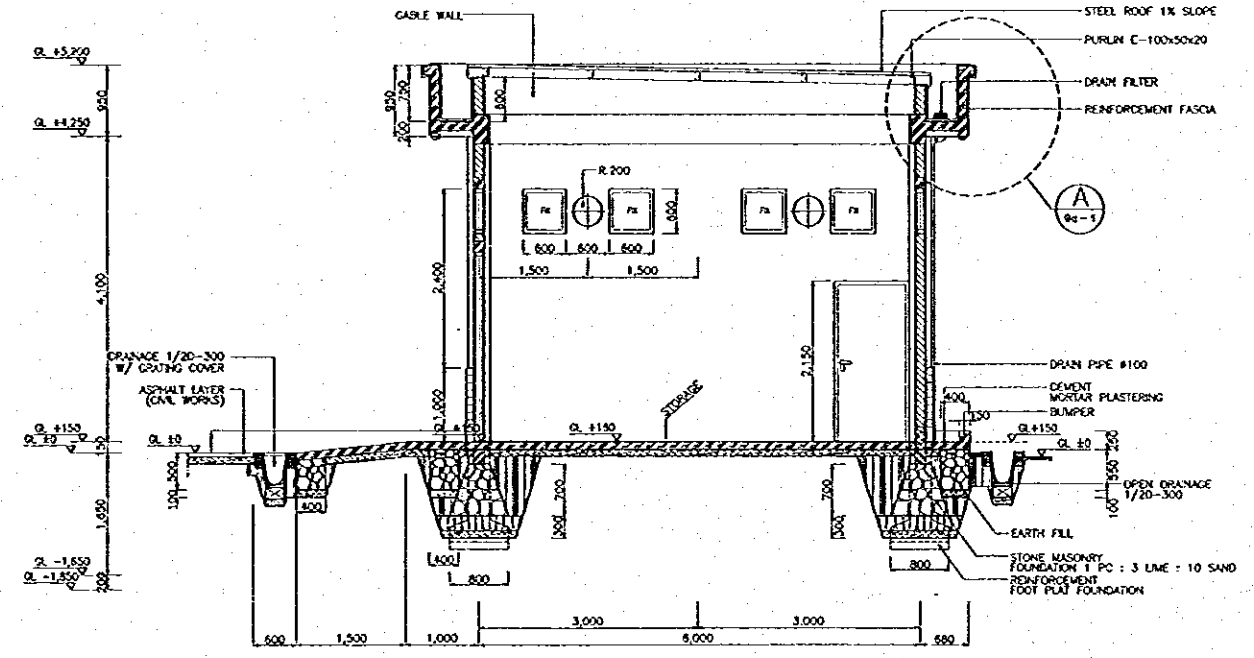
SOUTH ELEVATION
SCALE A



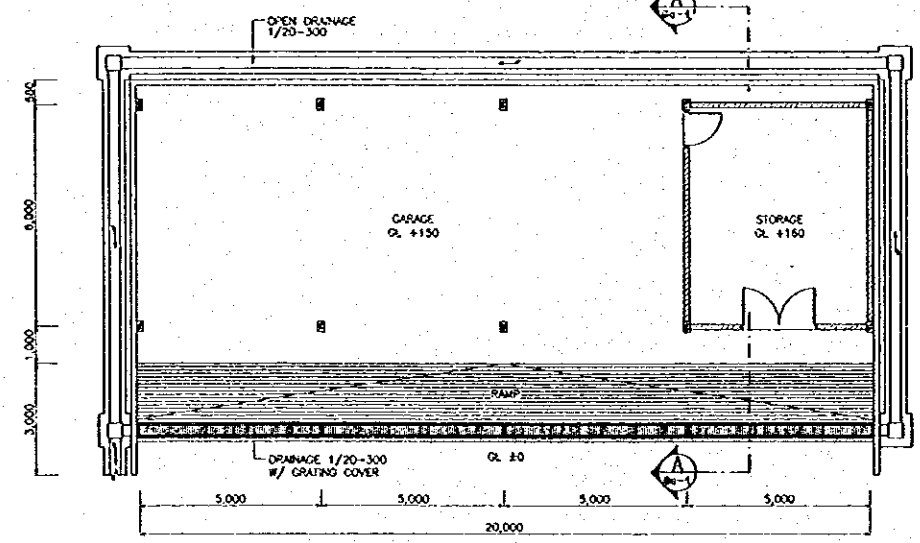
DETAIL A
SCALE C



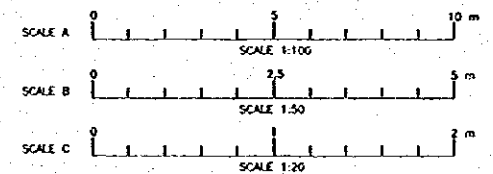
ROOF PLAN
SCALE A



SECTION A-A
SCALE B

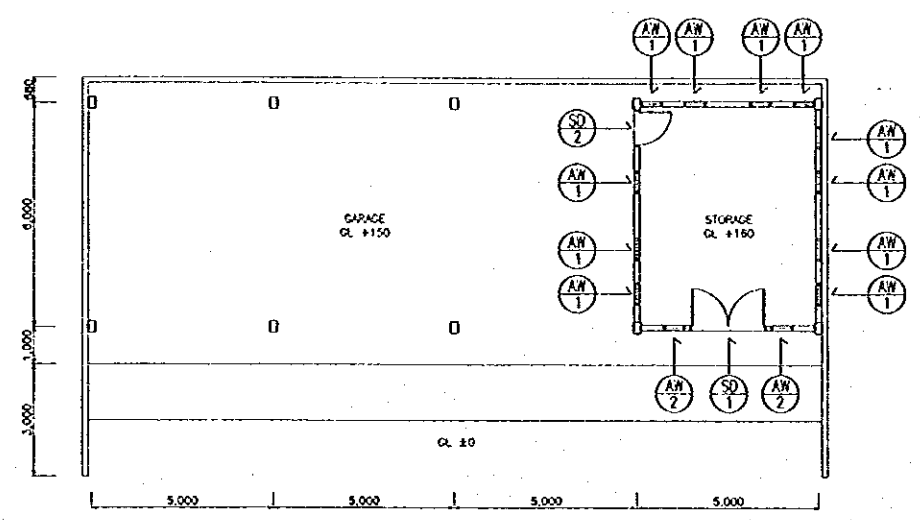


FLOOR PLAN
SCALE A



NO	DATE	REVISIONS	ORIGINATED	DESIGNED	APPROVED

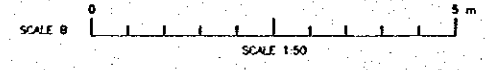
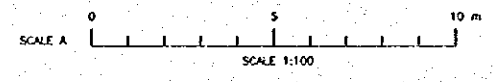
	THE REPUBLIC OF INDONESIA MINISTRY OF PUBLIC WORKS DIRECTORATE GENERAL OF WATER RESOURCES DEVELOPMENT AND DIRECTORATE GENERAL OF HUMAN SETTLEMENT	PROVINCE CENTRAL JAWA	
	JATUNSELUNA FLOOD CONTROL PROJECT COMPONENT: JATIDARANG DAM CONSTRUCTION JATIDARANG DAM HYDROPOWER STATION COMPLEX FLOOR PLAN, ROOF PLAN, ELEVATION, SECTION & DETAIL GARAGE	PROJECT NAME FLOOD CONTROL URBAN DRAINAGE AND WATER RESOURCES DEVELOPMENT IN SEMARANG IN THE REPUBLIC OF INDONESIA	
	JAFAR INTERNATIONAL COOPERATION AGENCY C/O ENGINEERING CO. LTD. # 40000101010101 PAKSI CONTOLEVALEK INTERNATIONAL, JKP PAKSI INTERNATIONAL, INC.	DESIGNED 	DRAUGHTING NO. JD-P1-HC-Gg-4 SHEET NO. 251
	CHIEF OF PLANNING AND DESIGN PROJECT MANAGER	DATE 	CONTRACT NO.



KEY PLAN
SCALE A

MARK	QTY	SYMBOL	1	SYMBOL	1	SYMBOL	12	SYMBOL	2	
SHAPE										
TYPE			DOUBLE SWNG		SINGLE SWNG		FIX		FIX	
MATERIAL	FINISH	FRAME	STEEL	PAINTED	STEEL	PAINTED	ALU	AND	ALU	AND
		PANEL	DOUBLE STEEL PLATE	PAINTED	DOUBLE STEEL PLATE	PAINTED	GLASS	-	GLASS	-
GLASS							CLEAR 5 mm THICK		CLEAR 5 mm THICK	
HARDWARE			METAL FITTINGS COMPLETE SET		METAL FITTINGS COMPLETE SET		METAL FITTINGS COMPLETE SET		METAL FITTINGS COMPLETE SET	
POSITION			STORAGE		STORAGE		STORAGE		STORAGE	

DOOR & WINDOW SCHEDULE
SCALE B



LEGEND :

- AD : ALUMINUM DOOR
- AW : ALUMINUM WINDOW
- AL : ALUMINUM LOOSSE
- AWW : ALUMINUM DOOR WINDOW
- SD : STEEL DOOR

MATERIAL :

- ALU : ALUMINUM
- AND : ANODIZED
- PRG : POLYUR. CLEAR SEMI-GLASS

DOORS & WINDOWS SYMBOL

REFERENCE NO.

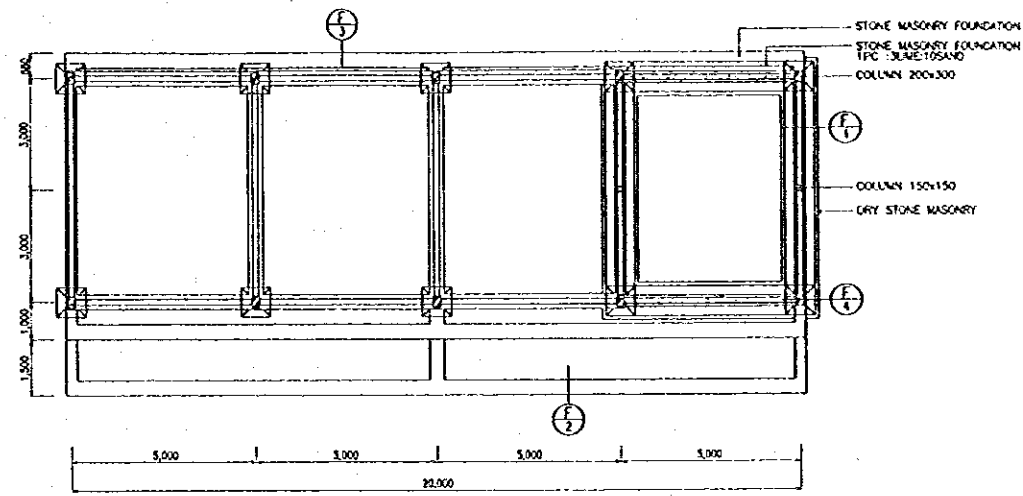
NO	DATE	REVISIONS	ORIGINATED	DESIGNED	APPROVED

THE REPUBLIC OF INDONESIA
MINISTRY OF PUBLIC WORKS
DIRECTORATE GENERAL OF WATER RESOURCES DEVELOPMENT
AND DIRECTORATE GENERAL OF HUMAN SETTLEMENT

PROVINCE: CENTRAL JAWA
PROJECT NAME: JATIBARANG DAM HYDROPOWER STATION COMPLEX
DISTRICT: SEMARANG CITY
DRAWING NO: JD-PE-HC-6a-2
SHEET NO: 252

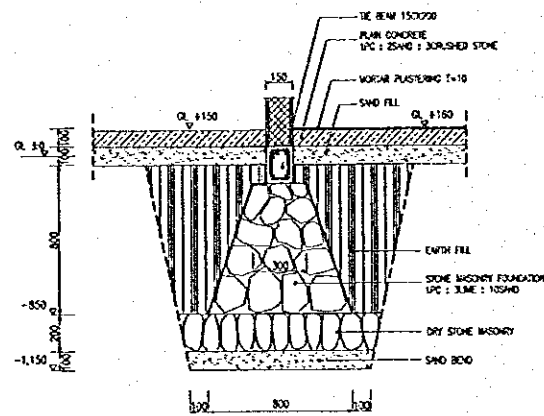
JATIBARANG DAM HYDROPOWER STATION COMPLEX
KEY PLAN & DOOR WINDOW SCHEDULE
GARAGE

DESIGNED: [Signature]
CHECKED: [Signature]
APPROVED: [Signature]
PROJECT MANAGER

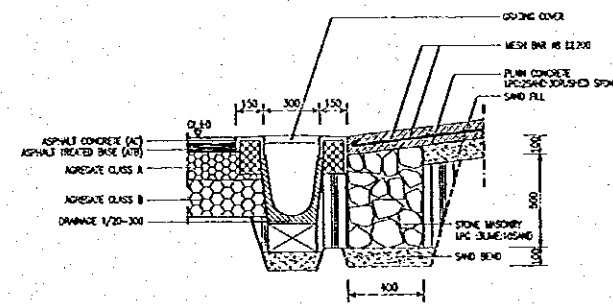


FOUNDATION PLAN
SCALE A

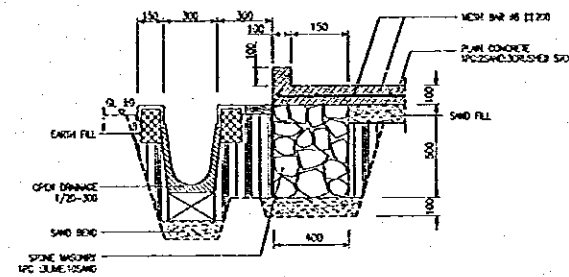
DETAIL F-1



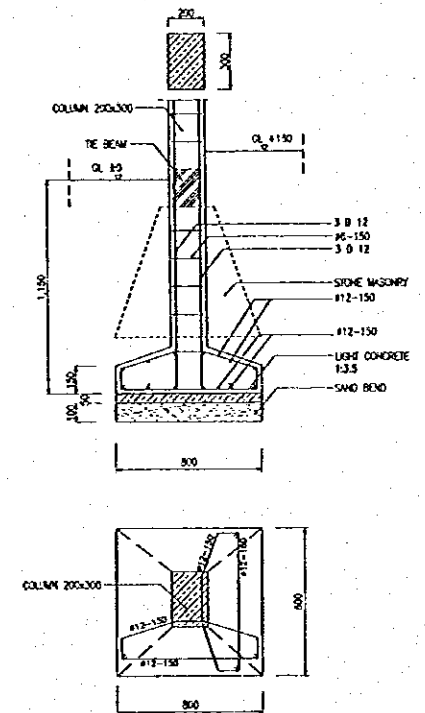
DETAIL F-2



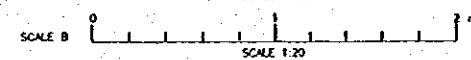
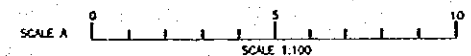
DETAIL F-3



DETAIL F-4

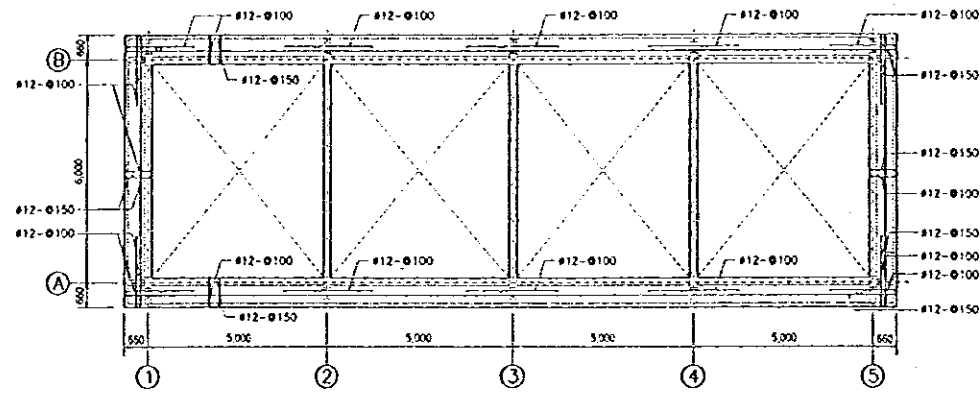


FOUNDATION SCHEDULE
SCALE B

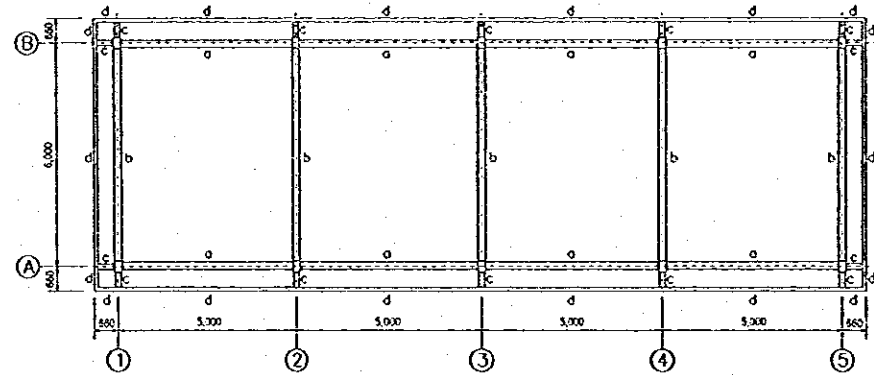


NO.	DATE	REVISIONS	ORGANIZED	DESIGNED	APPROVED

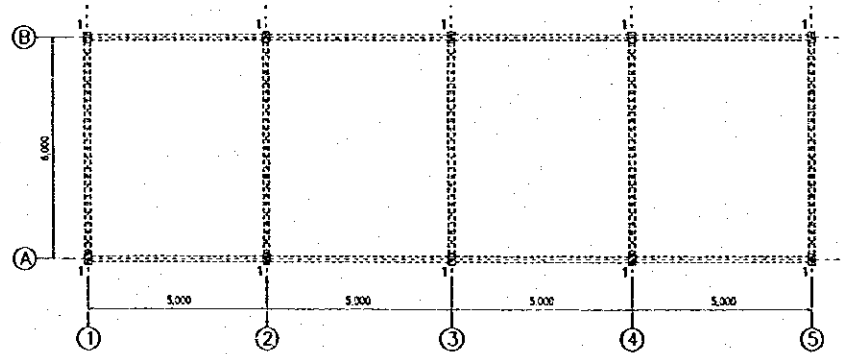
<p>THE REPUBLIC OF INDONESIA MINISTRY OF PUBLIC WORKS DIRECTORATE GENERAL OF WATER RESOURCES DEVELOPMENT AND DIRECTORATE GENERAL OF HUMAN SETTLEMENT</p>		<p>PROVINCE CENTRAL JAWA</p>
<p>JATITUNSELUMA FLOOD CONTROL PROJECT COMPONENT: JATIBARANG DAM CONSTRUCTION JATIBARANG DAM HYDROPOWER STATION COMPLEX FOUNDATION PLAN AND DETAIL GARAGE</p>		<p>PROJECT NAME FLOOD CONTROL, URBAN DRAINAGE AND WATER RESOURCES DEVELOPMENT IN SEMARANG IN THE REPUBLIC OF INDONESIA</p>
<p>JAPAN INTERNATIONAL COOPERATION AGENCY CITY ENGINEERING COLLEGE IN ASSOCIATION WITH PACIFIC CONSULTANTS INTERNATIONAL AND PABCO INTERNATIONAL INC.</p>		<p>DISTRICT SEMARANG CITY</p>
<p>DESIGNED: <i>[Signature]</i> CHECKED: <i>[Signature]</i></p>		<p>DRAWING NO. JO-P1-HC-Ga-3 SHEET NO. 253</p>
<p>APPROVED: <i>[Signature]</i> CHIEF OF PLANNING AND DESIGN PROJECT MANAGER</p>		<p>DATE: <i>[Date]</i> CONTRACT NO.:</p>



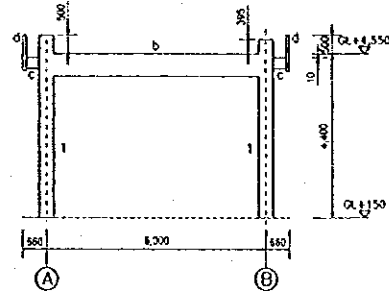
ROOF SLAB PLAN
SCALE A



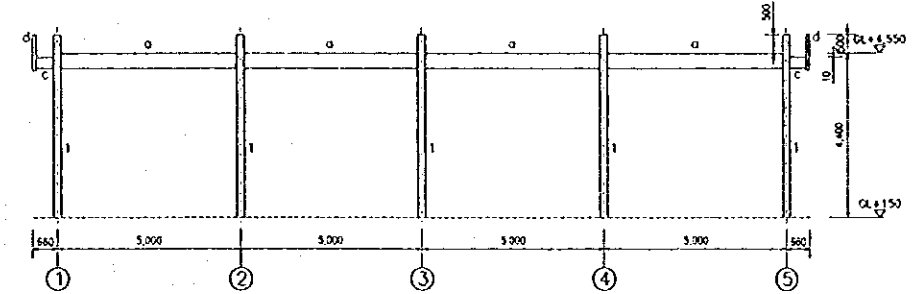
THE BEAM AND CONSOLE BEAM PLAN
GL+4.550
SCALE A



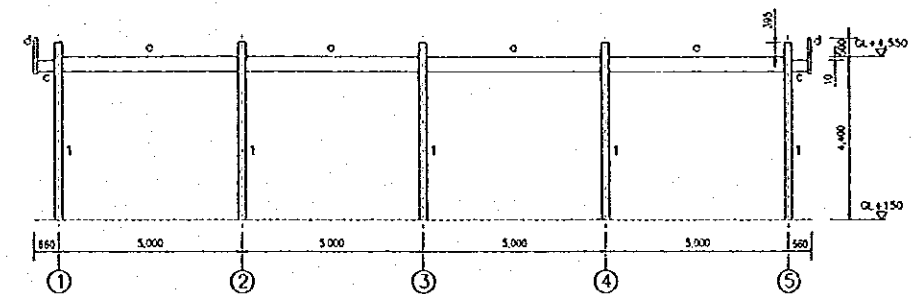
COLUMN PLAN GL+150
SCALE A



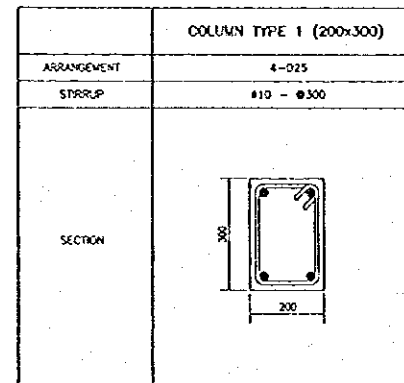
FRAMING LINE
1, 2, 3, 4 & 5
SCALE A



FRAMING LINE A
SCALE A



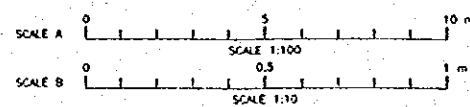
FRAMING LINE B
SCALE A



TYPICAL SECTION OF
COLUMN REINFORCEMENT
SCALE B

	BEAM TYPE a (200x400)	BEAM TYPE b (200x400)	BEAM TYPE c (150x300)	BEAM TYPE d (100x950)
ARRANGEMENT	LEFT, MID, AND RIGHT BAR	LEFT AND RIGHT BAR	MID BAR	LEFT AND RIGHT BAR
TOP	2-Ø15	3-Ø10	2-Ø15	2-Ø15
MIDDLE	2-Ø10	2-Ø10	2-Ø10	-
BOTTOM	2-Ø15	2-Ø15	3-Ø10	2-Ø10
STIRRUP	#10 - Ø5	#10 - Ø150	#10 - Ø150	#10 - Ø100
SECTION				

TYPICAL SECTION OF
BEAM REINFORCEMENT
SCALE B



NO	DATE	REVISIONS	ORIGINATED	DESIGNED	APPROVED

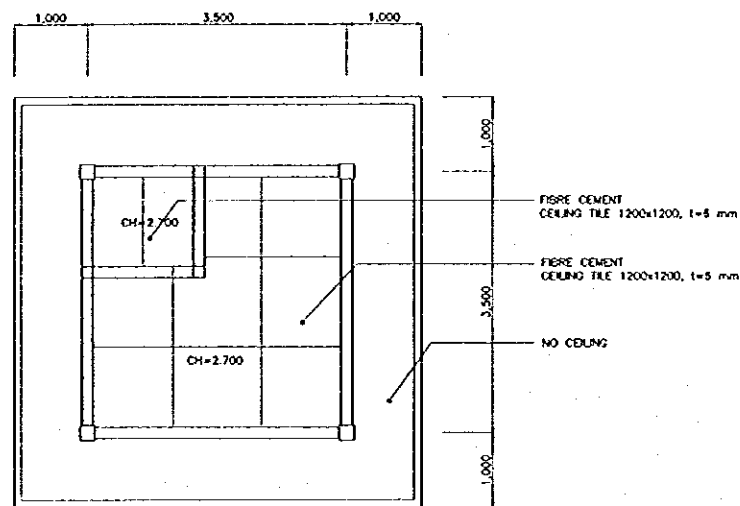
THE REPUBLIC OF INDONESIA
 MINISTRY OF PUBLIC WORKS
 DIRECTORATE GENERAL OF WATER RESOURCES DEVELOPMENT
 AND DIRECTORATE GENERAL OF HUMAN SETTLEMENT

PRATUNSELUNA FLOOD CONTROL PROJECT
 COMPONENT - JATIBARANG DAM CONSTRUCTION
 JATIBARANG DAM HYDROPOWER STATION COMPLEX
 COLUMN PLAN, THE BEAM PLAN,
 FRAMING ELEVATION, SLAB PLAN, AND DETAIL
 GARAGE

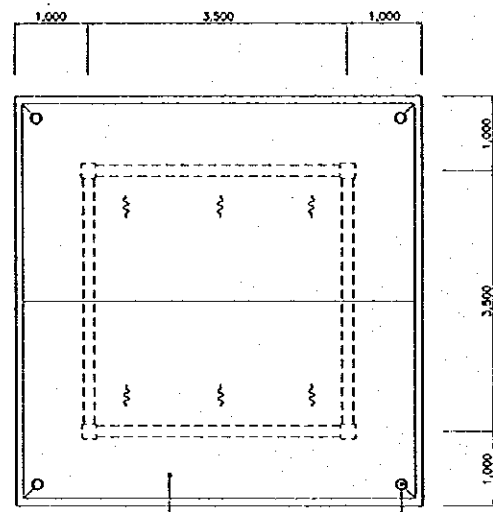
JAPAN INTERNATIONAL COOPERATION AGENCY
 (JICA) ENGINEERING CONSULTANTS
 PACIFIC CONSULTANTS INTERNATIONAL, INC.
 (PCI)

DESIGNED: *[Signature]*
 CHECKED: *[Signature]*
 APPROVED: *[Signature]*
 PROJECT MANAGER

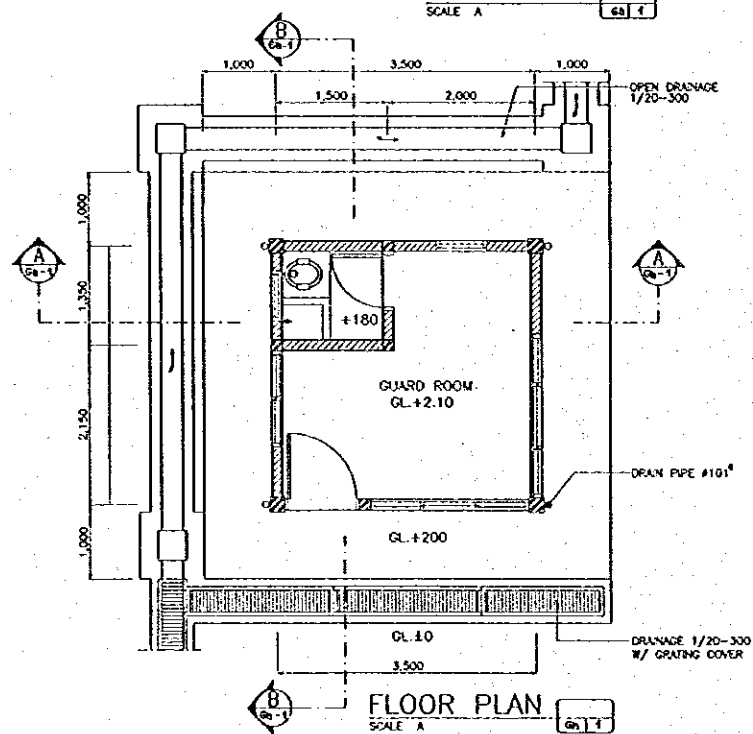
PROVINCE: CENTRAL JAVA
 PROJECT NAME: FLOOD CONTROL, URBAN DRAINAGE AND
 WATER RESOURCES DEVELOPMENT IN
 SEMARANG IN THE REPUBLIC OF INDONESIA
 DISTRICT: SEMARANG CITY
 DRAWING NO. JO-P1-HC-G0-4
 SHEET NO. 254
 DATE: *[Date]*
 CONTRACT NO.



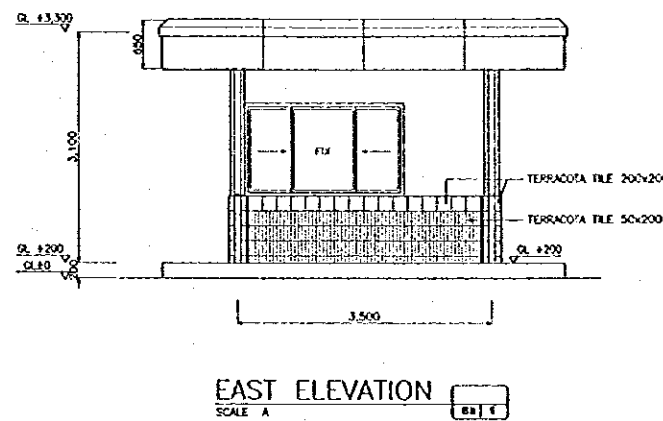
REFLECTED CEILING PLAN
SCALE A



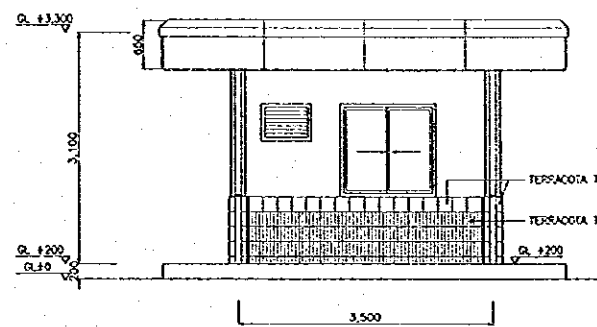
ROOF PLAN
SCALE A



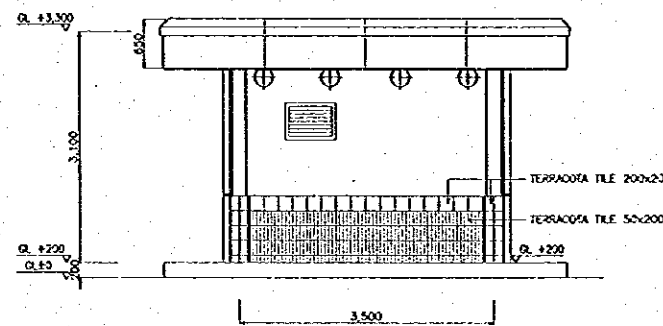
FLOOR PLAN
SCALE A



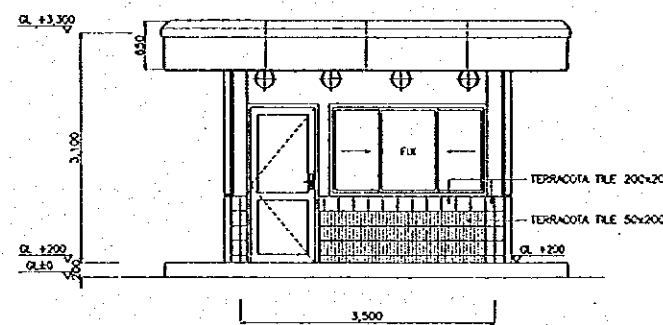
EAST ELEVATION
SCALE A



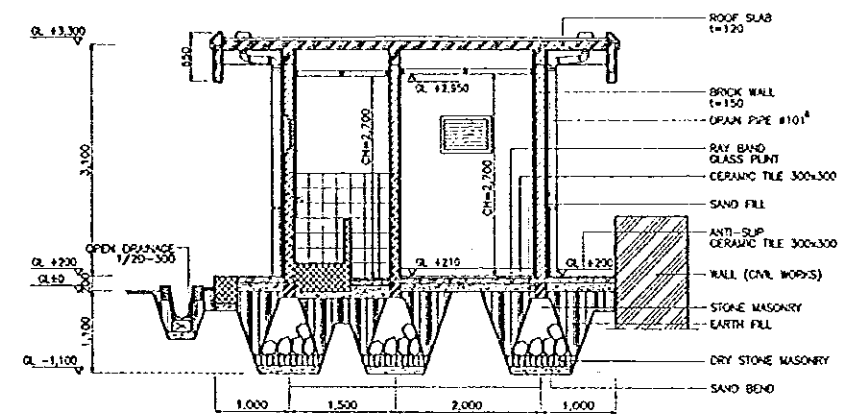
WEST ELEVATION
SCALE A



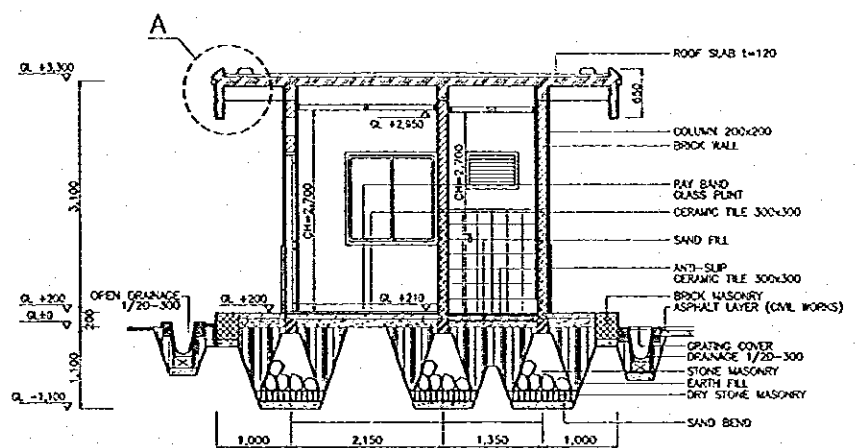
NORTH ELEVATION
SCALE A



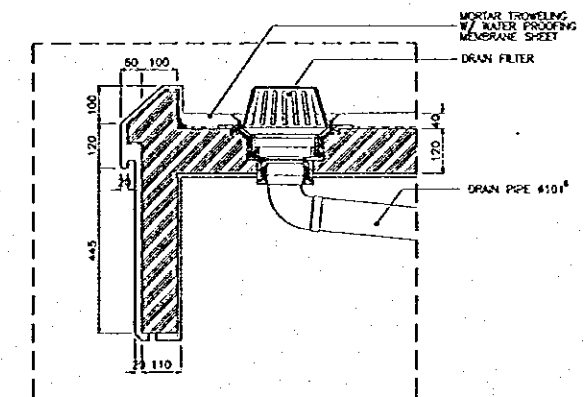
SOUTH ELEVATION
SCALE A



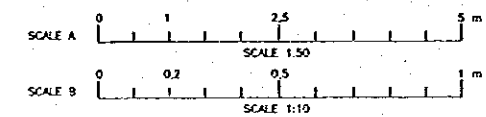
SECTION A-A
SCALE A



SECTION B-B
SCALE A

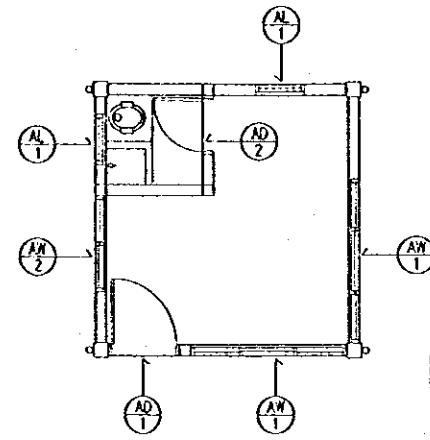


DETAIL A
SCALE B



THE REPUBLIC OF INDONESIA MINISTRY OF PUBLIC WORKS DIRECTORATE GENERAL OF WATER RESOURCES DEVELOPMENT AND DIRECTORATE GENERAL OF HUMAN SETTLEMENT		PROVINCE CENTRAL JAWA
PRATUNSELUNA FLOOD CONTROL PROJECT COMPONENT: JATIBARANG DAM CONSTRUCTION JATIBARANG DAM HYDROPOWER STATION COMPLEX FLOOR PLAN, ROOF PLAN, CEILING PLAN, ELEVATION & SECTION GUARD HOUSE		PROJECT NAME FLOOD CONTROL, URBAN DRAINAGE AND WATER RESOURCES DEVELOPMENT BY SEMARANG IN THE REPUBLIC OF INDONESIA
JAPAN INTERNATIONAL COOPERATION AGENCY (JICA) UNDER THE GUIDANCE OF THE PACIFIC COOPERATION INTERNATIONAL AGENCY (PACIFIC COOPERATION INTERNATIONAL AGENCY)		CONTRACT SEMARANG CITY
DESIGNED: [Signature] CHECKED: [Signature]		DRAWING NO. J0-P1-HC-03-1 SHEET NO. 255
APPROVED: [Signature] CHIEF OF PLANNING AND DESIGN PROJECT MANAGER		DATE CONTRACT NO.

NO.	DATE	REVISIONS	ORGANIZED	DESIGNED	APPROVED

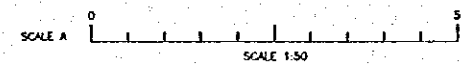


KEY PLAN
SCALE 1:50

MARK	QTY	AD 1	1	AD 2	1	AW 1	2	AW 2	1
SHAPE									
TYPE		SINGLE SWING		SINGLE SWING, LOUVRE		FIX & SLIDING		FIX & SLIDING	
MATERIAL	FINISH	FRAME	ALU	ANO	ALU	ANO	ALU	ANO	ALU
		PANEL	PLYWOOD 6 MM THICK	PRG	PLYWOOD 6 MM THICK & LOUVRE	PRG	GLASS	-	GLASS
GLASS		-		-		CLEAR GLASS 5 MM THICK		CLEAR GLASS 5 MM THICK	
HARDWARE		METAL FITTINGS COMPLETE SET		METAL FITTINGS COMPLETE SET		METAL FITTINGS COMPLETE SET		METAL FITTINGS COMPLETE SET	
POSITION		GUARD ROOM		TOILET		GUARD ROOM		GUARD ROOM	
MARK	QTY	AL 1	2						
SHAPE									
TYPE		LOUVRE							
MATERIAL	FRAME	ALU	ANO						
FINISH	PANEL	ALU	ANO						
GLASS		-							
HARDWARE		METAL FITTINGS COMPLETE SET							
POSITION		GUARD ROOM & TOILET							

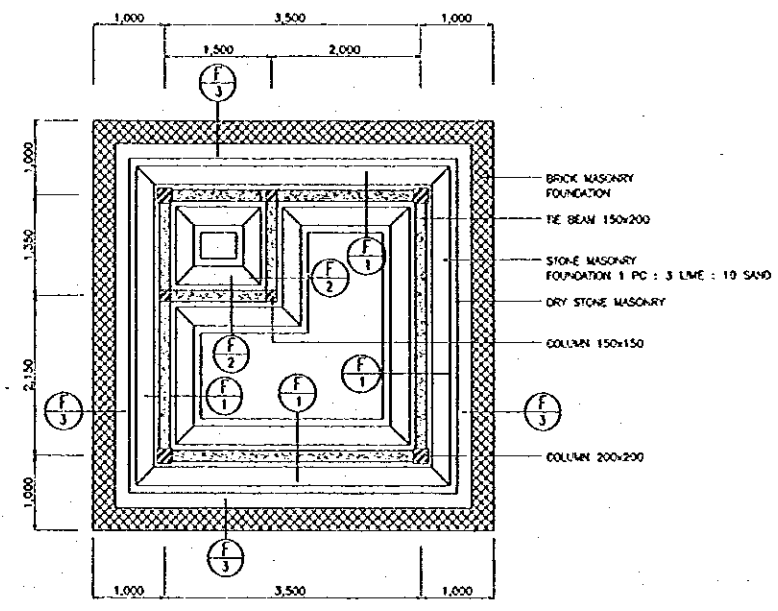
DOOR & WINDOW SCHEDULE
SCALE 1:50

LEGEND :	MATERIAL :
AD : ALUMINIUM DOOR	ALU : ALUMINIUM
AW : ALUMINIUM WINDOW	ANO : ANODIZED
AL : ALUMINIUM LOUVRE	PRG : POLYUR., CLEAR SEMI-GLOSS
ADW : ALUMINIUM DOOR WINDOW	
	DOORS & WINDOWS SYMBOL
	REFERENCE NO.



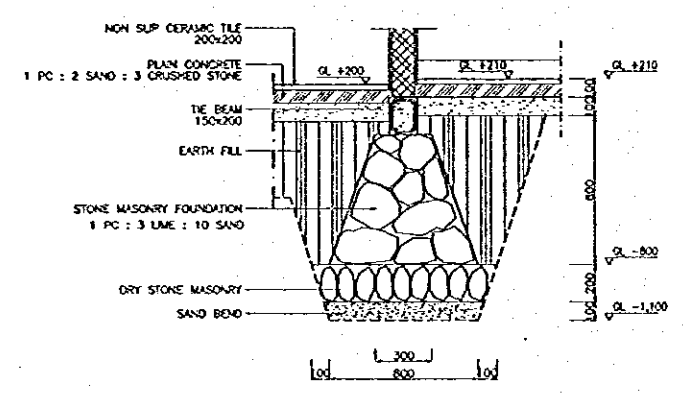
NO.	DATE	REVISIONS	ORIGINATED	DESIGNED	APPROVED

THE REPUBLIC OF INDONESIA MINISTRY OF PUBLIC WORKS DIRECTORATE GENERAL OF WATER RESOURCES DEVELOPMENT AND DIRECTORATE GENERAL OF HUMAN SETTLEMENT		PROVINCE CENTRAL JAVA
IRATUNSELUNA FLOOD CONTROL PROJECT COMPONENT : JATIBARANG DAM CONSTRUCTION JATIBARANG DAM HYDROPOWER STATION COMPLEX KEY PLAN & DOOR WINDOW SCHEDULE GUARD HOUSE		PROJECT NAME FLOOD CONTROL, URBAN DRAINAGE AND WATER RESOURCES DEVELOPMENT IN SEMARANG IN THE REPUBLIC OF INDONESIA
JAPAN INTERNATIONAL COOPERATION AGENCY (JICA) ENGINEERING COLLEGE IN ASSOCIATION WITH PACIFIC CONSULTANTS INTERNATIONAL AND PASIFIC INTERNATIONAL INC.		DISTRICT SEMARANG CITY
DESIGNED: <i>[Signature]</i> CHECKED: <i>[Signature]</i> DATE: <i>[Date]</i>		DRAWING NO. JD-P1-HC-0A-2 SHEET NO. 256
APPROVED: <i>[Signature]</i> CHIEF OF PLANNING AND DESIGN PROJECT MANAGER		CONTRACT NO.

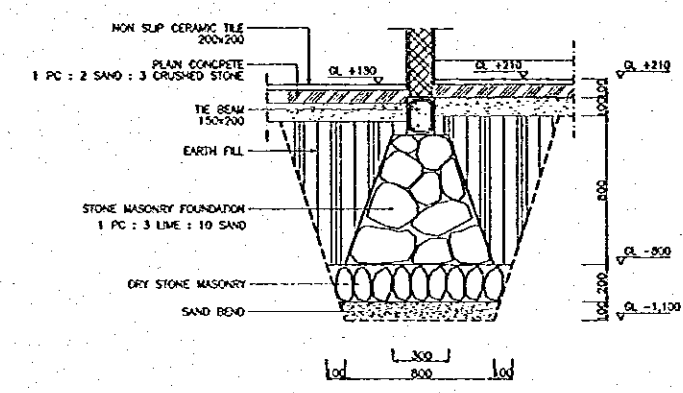


FOUNDATION PLAN
SCALE A

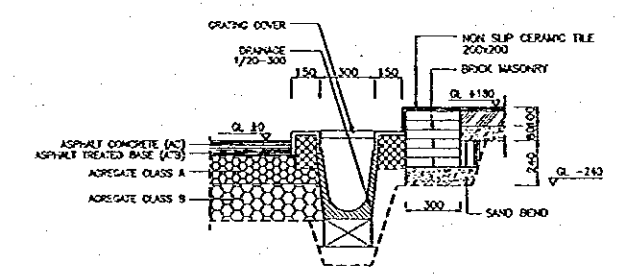
DETAIL F-1



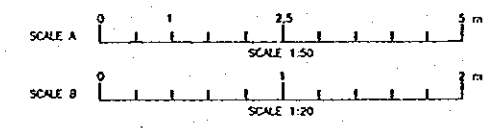
DETAIL F-2



DETAIL F-3

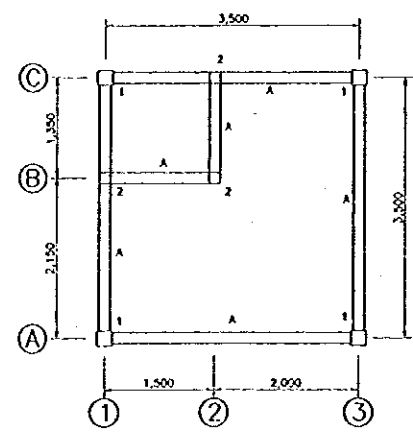


FOUNDATION SCHEDULE
SCALE B

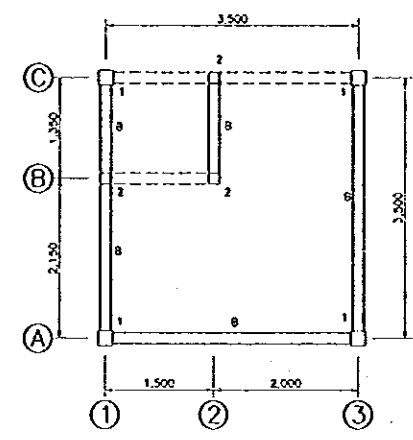


NO.	DATE	REVISIONS	ORIGINATED	DESIGNED	APPROVED

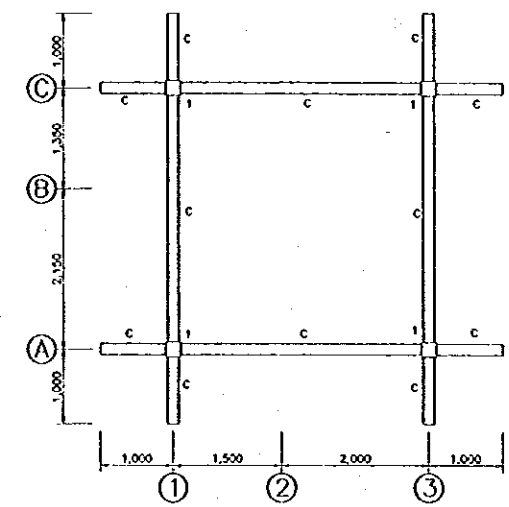
THE REPUBLIC OF INDONESIA MINISTRY OF PUBLIC WORKS DIRECTORATE GENERAL OF WATER RESOURCES DEVELOPMENT AND DIRECTORATE GENERAL OF HUMAN SETTLEMENT		PROVINCE CENTRAL JAWA
PT. INSISELUNA FLOOD CONTROL PROJECT COMPONENT: JATUNGRAH DAM CONSTRUCTION JATIBARANG DAM HYDROPOWER STATION COMPLEX FOUNDATION PLAN AND DETAIL GUARD HOUSE		PROJECT NAME FLOOD CONTROL, URBAN DRAINAGE AND WATER RESOURCES DEVELOPMENT IN SOHARAU IN THE REPUBLIC OF INDONESIA
JAWA INTERNATIONAL COOPERATION AGENCY CJI ENGINEERING CO., LTD. IN ASSOCIATION WITH PACIFIC CONSULTANTS INTERNATIONAL AND PAKSI ENGINEERING INC.		DISTRICT SEMARANG CITY
DESIGNED CHECKED APPROVED CHIEF OF PLANNING AND DESIGN PROJECT MANAGER		DRAWING NO. JD-P1-HC-6h-3 SHEET NO. 251 DATE CONTRACT NO.



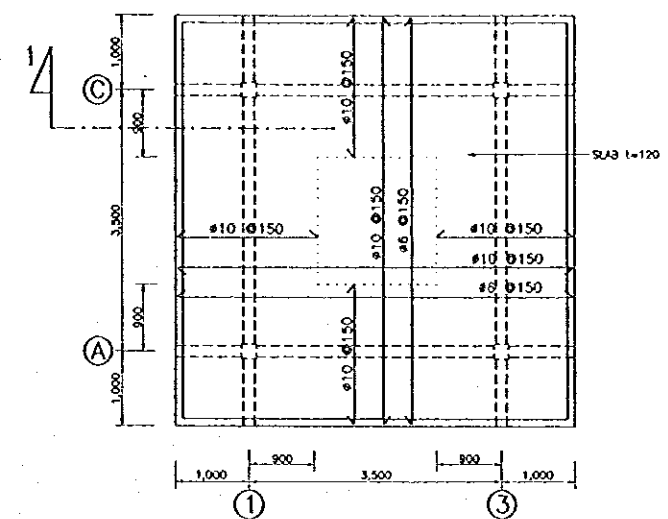
COLUMN & BEAM PLAN GL.-100
SCALE A



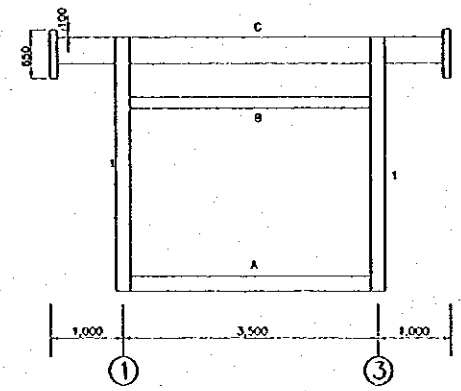
COLUMN & TIE BEAM PLAN +2,350
SCALE A



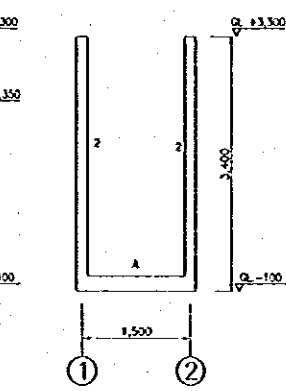
COLUMN & BEAM PLAN +3,300
SCALE A



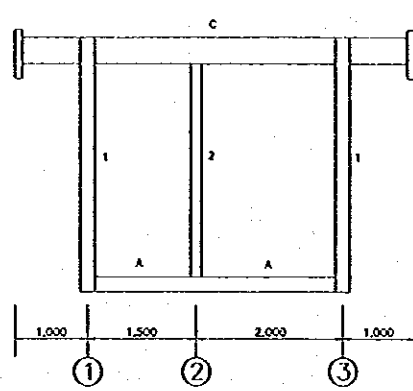
ROOF STRUCTURE
SCALE A



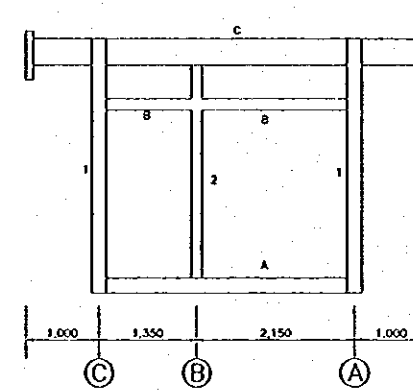
FRAMING LINE A
SCALE A



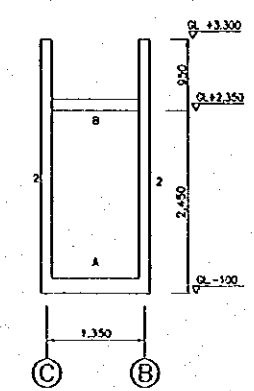
FRAMING LINE B
SCALE A



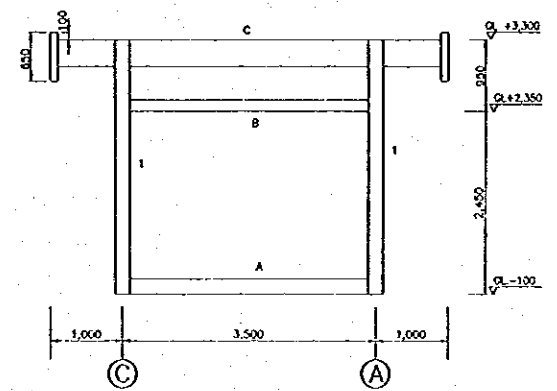
FRAMING LINE C
SCALE A



FRAMING LINE 1
SCALE A



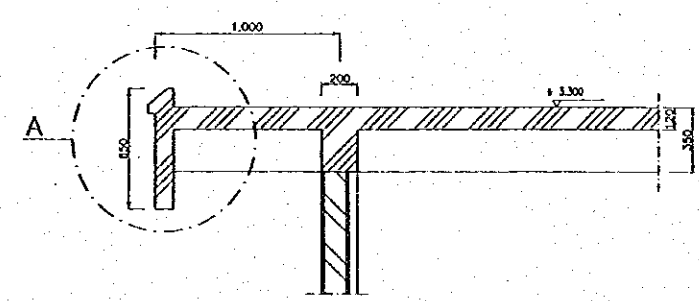
FRAMING LINE 2
SCALE A



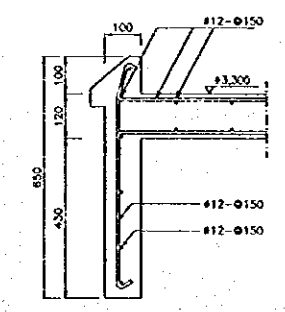
FRAMING LINE 3
SCALE A

TYPICAL SECTION OF BEAM AND TIE BEAM REINFORCEMENT				
	BEAM TYPE A	BEAM TYPE B	BEAM TYPE C	
ARRANGEMENT	-	-	MIDSPAN	EDGE
TOP	2-#12	2-#12	3-D16	5-D16
MIDDLE	-	-	-	-
BOTTOM	2-#12	2-#12	5-D16	3-D16
STIRRUP	#8-Ø150	#8-Ø150	#8-Ø150	#8-Ø150
SECTION				

TYPICAL SECTION OF COLUMN REINFORCEMENT		
	COLUMN TYPE 1	COLUMN TYPE 2
ARRANGEMENT	4-D16	4-D12
STIRRUP	#8-Ø150	#8-Ø150
SECTION		

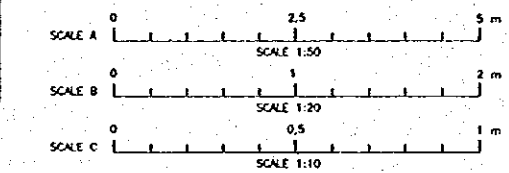


SECTION 1
SCALE B



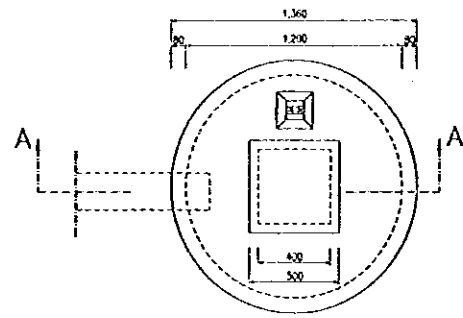
DETAIL A
SCALE C

SECTION OF COLUMN, BEAM AND TIE BEAM REINFORCEMENT
SCALE C

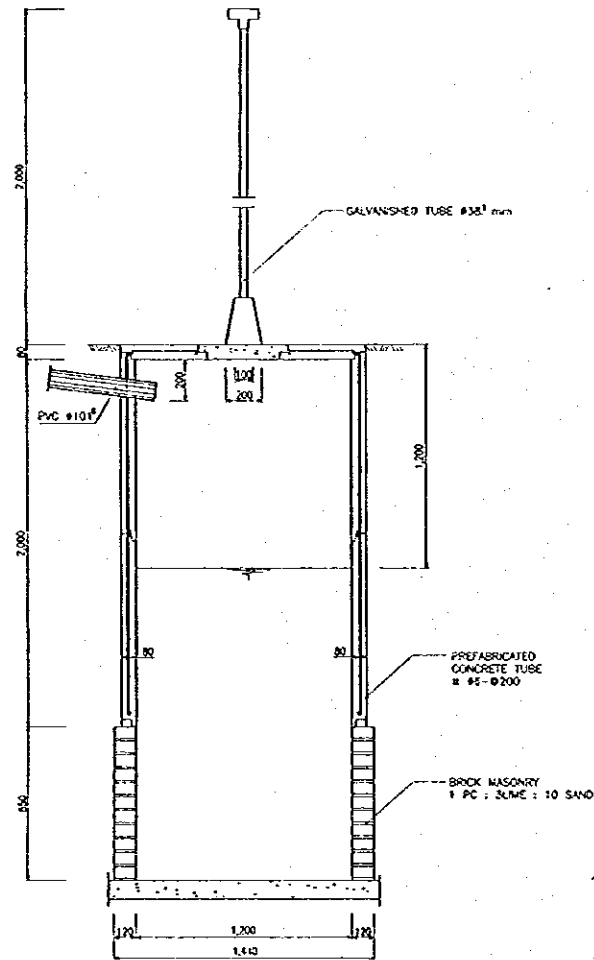


NO	DATE	REVISIONS	ORIGINATED	DESIGNED	APPROVED

THE REPUBLIC OF INDONESIA MINISTRY OF PUBLIC WORKS DIRECTORATE GENERAL OF WATER RESOURCES DEVELOPMENT AND DIRECTORATE GENERAL OF HUMAN SETTLEMENT		PROVINCE CENTRAL JAVA
JATUNGBUNTA FLOOD CONTROL PROJECT COMPONENT : JATIBARANG DAM CONSTRUCTION JATIBARANG DAM HYDROPOWER STATION COMPLEX COLUMN, TIE BEAM PLAN, ROOF STRUCTURE PLAN & DETAIL GUARD HOUSE		PROJECT NAME FLOOD CONTROL, URBAN DRAINAGE AND WATER RESOURCES DEVELOPMENT IN SEMARANG IN THE REPUBLIC OF INDONESIA
JAPAN INTERNATIONAL COOPERATION AGENCY CITY ENGINEERING CONSULTING IN ASSOCIATION WITH PACIFIC CONSULTANTS INTERNATIONAL AND PARCO INTERNATIONAL INC.		DISTRICT SEMARANG CITY
DESIGNED CHECKED DATE	APPROVED PROJECT MANAGER	DRAWING NO. JD - P1 - HC - GN - 4 SHEET NO. 258 CONTRACT NO.

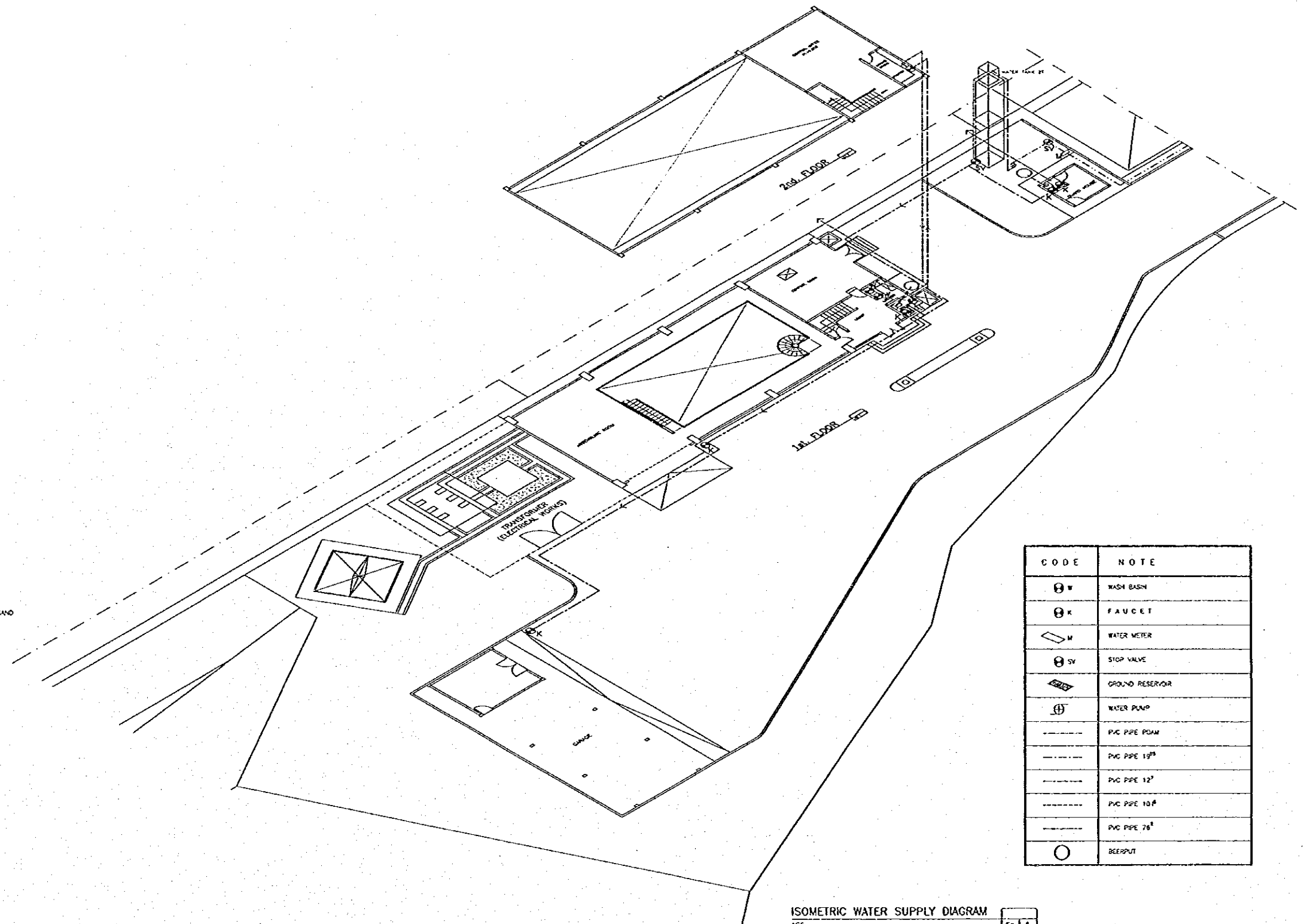


BEERPOT PLAN



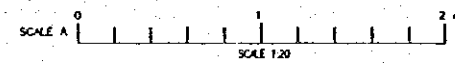
SECTION A-A

BEERPOT
SCALE A



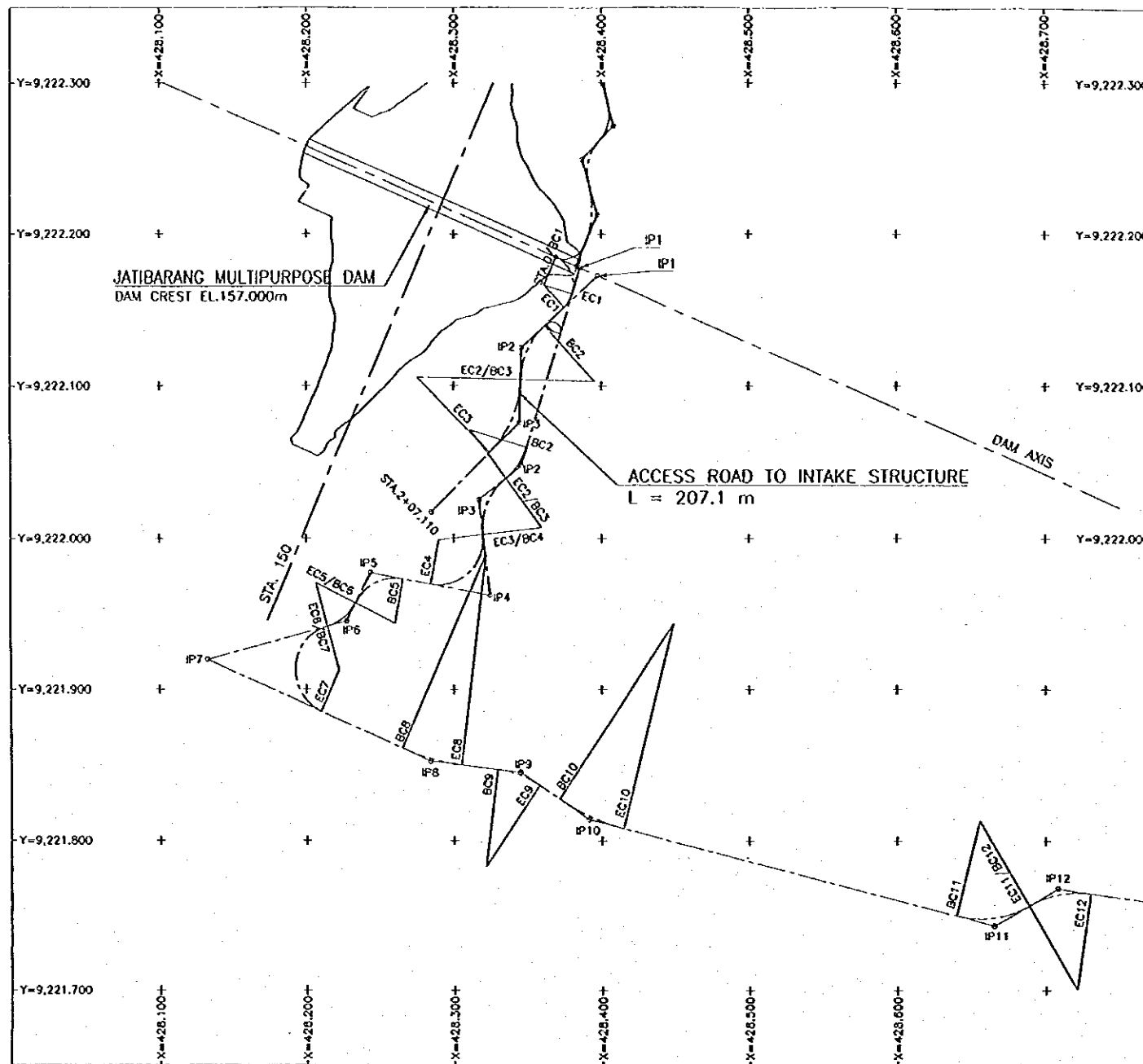
ISOMETRIC WATER SUPPLY DIAGRAM
SCALE A

CODE	NOTE
⊕ W	WASH BASIN
⊕ K	FAUCET
⊕ M	WATER METER
⊕ SV	STOP VALVE
⊕ GR	GROUND RESERVOIR
⊕ WP	WATER PUMP
---	PVC PIPE 200
---	PVC PIPE 150
---	PVC PIPE 120
---	PVC PIPE 100
---	PVC PIPE 75
○	BEERPOT



NO.	DATE	REVISIONS	ORIGINATED	DESIGNED	APPROVED

THE REPUBLIC OF INDONESIA MINISTRY OF PUBLIC WORKS DIRECTORATE GENERAL OF WATER RESOURCES DEVELOPMENT AND DIRECTORATE GENERAL OF HUMAN SETTLEMENT		PROVINCE CENTRAL JAWA
JATISSELUNA FLOOD CONTROL PROJECT COMPONENT: WEST FLOODWAY/GARANG RIVER IMPROVEMENT JATIBARANG DAM HYDROPOWER STATION COMPLEX BEERPOT DETAIL & ISOMETRIC WATER SUPPLY DIAGRAM EXTERNAL WORKS		PROJECT NAME FLOOD CONTROL, DRAINAGE AND WATER RESOURCES DEVELOPMENT BY SEMARANG IN THE REPUBLIC OF INDONESIA
JAPAN INTERNATIONAL COOPERATION AGENCY (JICA) IN COOPERATION WITH PACIFIC CONSULTANTS INTERNATIONAL (PCI) AND PACIFIC INTERNATIONAL INC.		DISTRICT SEMARANG CITY
DESIGNED <i>[Signature]</i> CHECKED <i>[Signature]</i>	DATE 16/1/	SHEET NO. 259 CONTRACT NO.
CHIEF OF PLANNING AND DESIGN PROJECT MANAGER		



LIST OF BC AND EC COORDINATES FOR RIGHT BANK ACCESS ROAD

STA.	COORDINATES	
	X (m)	Y (m)
0+00/BC1	428,369.185	9,222,185.129
EC1	428,380.387	9,222,160.964
BC2	428,319.559	9,222,059.368
EC2/BC3	428,335.421	9,222,039.088
EC3/BC4	428,319.828	9,222,002.581
EC4	428,284.623	9,221,969.614
BC5	428,265.638	9,221,973.091
EC5/BC6	428,233.474	9,221,957.145
EC6/BC7	428,214.541	9,221,941.748
EC7	428,210.222	9,221,885.354
BC8	428,265.190	9,221,861.019
EC8	428,305.094	9,221,850.043
BC9	428,329.255	9,221,847.128
EC9	428,357.703	9,221,836.559
BC10	428,371.157	9,221,827.525
EC10	428,414.432	9,221,808.141
BC11	428,610.036	9,221,750.300
EC11/BC12	428,688.797	9,221,757.040
EC12	428,730.326	9,221,765.203
BC13	429,007.459	9,221,726.848
EC13	429,045.542	9,221,717.911
BC14	429,266.939	9,221,646.811
EC14/BC15	429,314.409	9,221,568.181
16+88.107/EC15	429,358.774	9,221,521.626

LIST OF IP COORDINATES FOR RIGHT BANK ACCESS ROAD

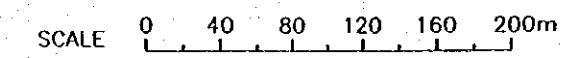
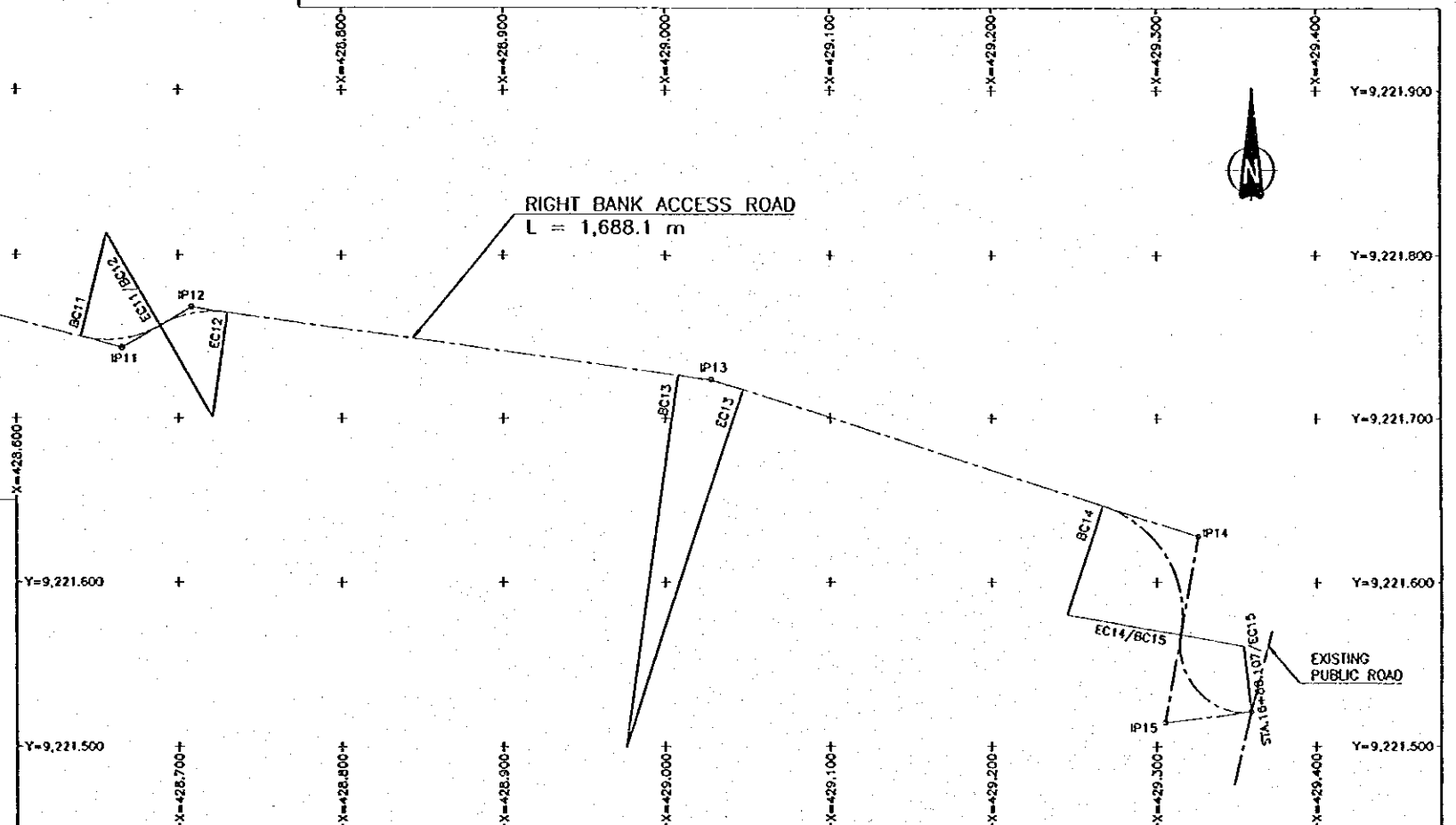
STA.	COORDINATES	
	X (m)	Y (m)
0+00	428,369.185	9,222,185.129
IP1	428,385.570	9,222,178.046
IP2	428,345.785	9,222,046.931
IP3	428,317.192	9,222,025.291
IP4	428,324.502	9,221,962.309
IP5	428,243.603	9,221,977.127
IP6	428,227.435	9,221,945.232
IP7	428,132.756	9,221,919.650
IP8	428,284.322	9,221,852.549
IP9	428,344.747	9,221,845.258
IP10	428,391.129	9,221,814.115
IP11	428,665.795	9,221,743.696
IP12	428,708.156	9,221,768.272
IP13	429,027.391	9,221,724.089
IP14	429,324.650	9,221,628.128
IP15	429,305.134	9,221,514.925
16+88.107	429,358.774	9,221,521.626

LIST OF BC AND EC COORDINATES FOR ACCESS ROAD TO INTAKE STRUCTURE

STA.	COORDINATES	
	X (m)	Y (m)
0+00/BC1	428,369.185	9,222,185.129
EC1	428,374.791	9,222,152.054
BC2	428,361.449	9,222,139.777
EC2/BC3	428,345.320	9,222,104.188
EC3	428,324.508	9,222,058.049
2+07.110	428,285.157	9,222,017.216

LIST OF IP COORDINATES FOR ACCESS ROAD TO INTAKE STRUCTURE

STA.	COORDINATES	
	X (m)	Y (m)
0+00	428,369.185	9,222,185.129
IP1	428,397.454	9,222,172.908
IP2	428,345.831	9,222,125.405
IP3	428,344.639	9,222,075.914
2+07.110	428,285.157	9,222,017.216

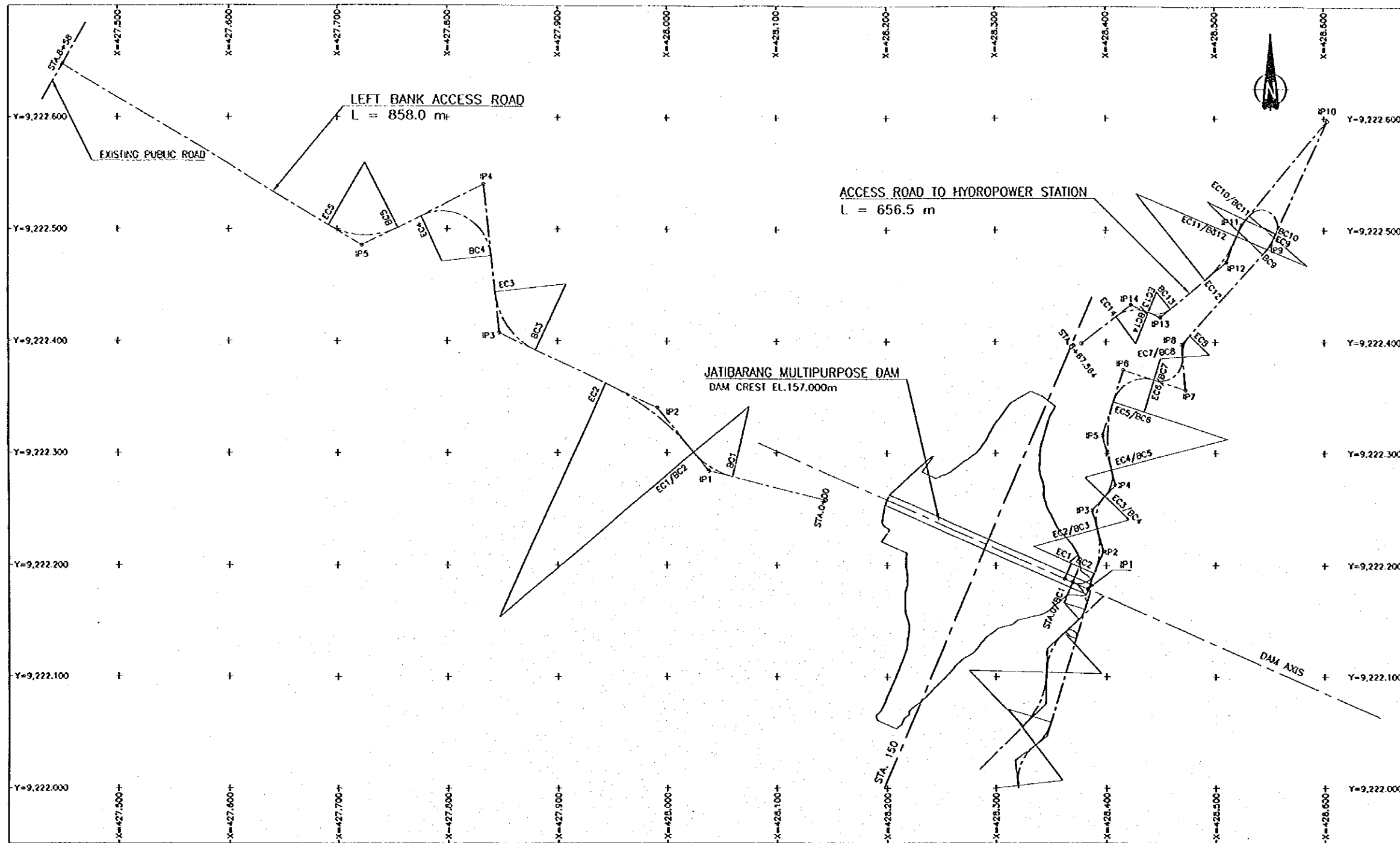


REFERENCE DRAWINGS

- JD-P1-AR-Ge-2 HORIZONTAL ALIGNMENT AND LAYOUT DATA (2/2)
- JD-P1-AR-Rr-1 RIGHT BANK ACCESS ROAD - PLAN (1/2)
- JD-P1-AR-Rr-2 RIGHT BANK ACCESS ROAD - PLAN (2/2)
- JD-P1-AR-lr-1 ACCESS ROAD TO HYDROPOWER STATION - PLAN AND PROFILE

NO	DATE	REVISIONS	ORIGINATED	DESIGNED	APPROVED

THE REPUBLIC OF INDONESIA MINISTRY OF PUBLIC WORKS DIRECTORATE GENERAL OF WATER RESOURCES DEVELOPMENT AND DIRECTORATE GENERAL OF HUMAN SETTLEMENT		PROVINCE CENTRAL JAVA
IRATUNSELUNA FLOOD CONTROL PROJECT COMPONENT: JATIBARANG DAM CONSTRUCTION ACCESS ROAD ALIGNMENT AND LAYOUT DATA (1/2)		PROJECT NAME FLOOD CONTROL, URBAN DRAINAGE AND WATER RESOURCES DEVELOPMENT IN SEMARANG IN THE REPUBLIC OF INDONESIA DISTRICT SEMARANG CITY
LILAN INTERNATIONAL COOPERATION AGENCY CIL ENGINEERING CO., LTD. IN ASSOCIATION WITH PACIFIC CONSULTANTS INTERNATIONAL PACO INTERNATIONAL INC.		DRAWING NO. JD-P1-AR-Ge-1 SHEET NO. 260 DATE CONTRACT NO.
DESIGNED CHECKED CHIEF OF PLANNING AND DESIGN PROJECT MANAGER	APPROVED 	DATE



LIST OF BC AND EC COORDINATES FOR ACCESS ROAD TO HYDROPOWER STATION

STA.	COORDINATES	
	X (m)	Y (m)
0+00/BC1	428,369.185	9,222,185.129
EC1/BC2	428,388.906	9,222,192.946
EC2/BC3	428,391.616	9,222,232.911
EC3/BC4	428,398.704	9,222,261.593
EC4/BC5	428,404.724	9,222,285.074
EC5/BC6	428,406.474	9,222,346.612
EC6/BC7	428,443.987	9,222,356.032
EC7/BC8	428,469.895	9,222,386.729
EC8	428,476.495	9,222,405.755
BC9	428,543.977	9,222,478.425
EC9	428,556.185	9,222,496.607
BC10	428,556.569	9,222,497.435
EC10/BC11	428,531.535	9,222,513.463
EC11/BC12	428,520.131	9,222,494.766
EC12	428,490.758	9,222,455.258
BC13	428,458.884	9,222,429.336
EC13/BC14	428,438.850	9,222,426.359
EC14	428,409.123	9,222,422.539
6+67.564	428,377.666	9,222,398.732

LIST OF IP COORDINATES FOR ACCESS ROAD TO HYDROPOWER STATION

STA.	COORDINATES	
	X (m)	Y (m)
0+00	428,369.185	9,222,185.129
IP1	428,382.953	9,222,179.177
IP2	428,397.337	9,222,212.448
IP3	428,387.046	9,222,249.257
IP4	428,408.221	9,222,271.665
IP5	428,398.631	9,222,316.098
IP6	428,415.605	9,222,374.915
IP7	428,472.284	9,222,357.175
IP8	428,469.010	9,222,397.694
IP9	428,551.521	9,222,486.549
IP10	428,602.939	9,222,597.424
IP11	428,524.352	9,222,505.018
IP12	428,510.461	9,222,471.282
IP13	428,449.652	9,222,421.828
IP14	428,422.795	9,222,432.687
6+67.564	428,377.666	9,222,398.732

LIST OF BC AND EC COORDINATES FOR LEFT BANK ACCESS ROAD

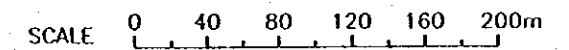
STA.	COORDINATES	
	X (m)	Y (m)
0+00	428,144.749	9,222,258.189
BC1	428,059.143	9,222,278.815
EC1/BC2	428,024.299	9,222,300.557
EC2	427,943.897	9,222,362.541
BC3	427,880.537	9,222,391.925
EC3	427,843.254	9,222,443.962
BC4	427,839.810	9,222,476.080
EC4	427,775.255	9,222,511.687
BC5	427,753.803	9,222,501.169
EC5	427,692.021	9,222,503.628
8+58	427,449.498	9,222,647.512

LIST OF IP COORDINATES FOR LEFT BANK ACCESS ROAD

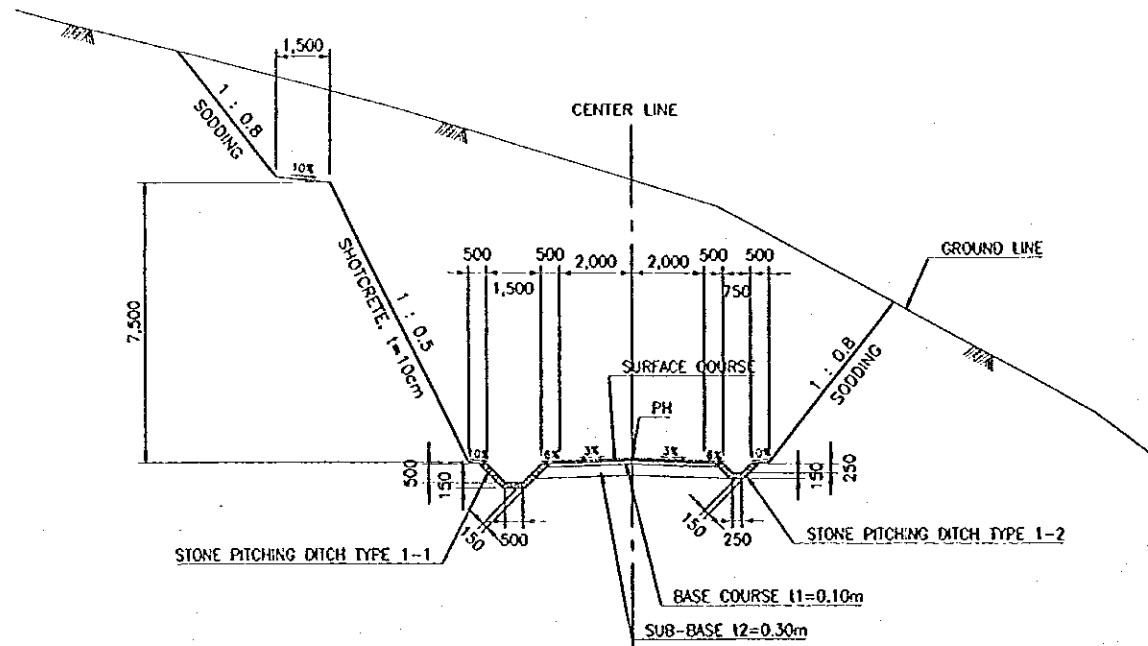
STA.	COORDINATES	
	X (m)	Y (m)
0+00	428,144.749	9,222,258.189
IP1	428,038.101	9,222,283.885
IP2	427,991.111	9,222,340.645
IP3	427,847.174	9,222,407.397
IP4	427,832.958	9,222,539.981
IP5	427,722.247	9,222,485.696
8+58	427,449.498	9,222,647.512

REFERENCE DRAWINGS

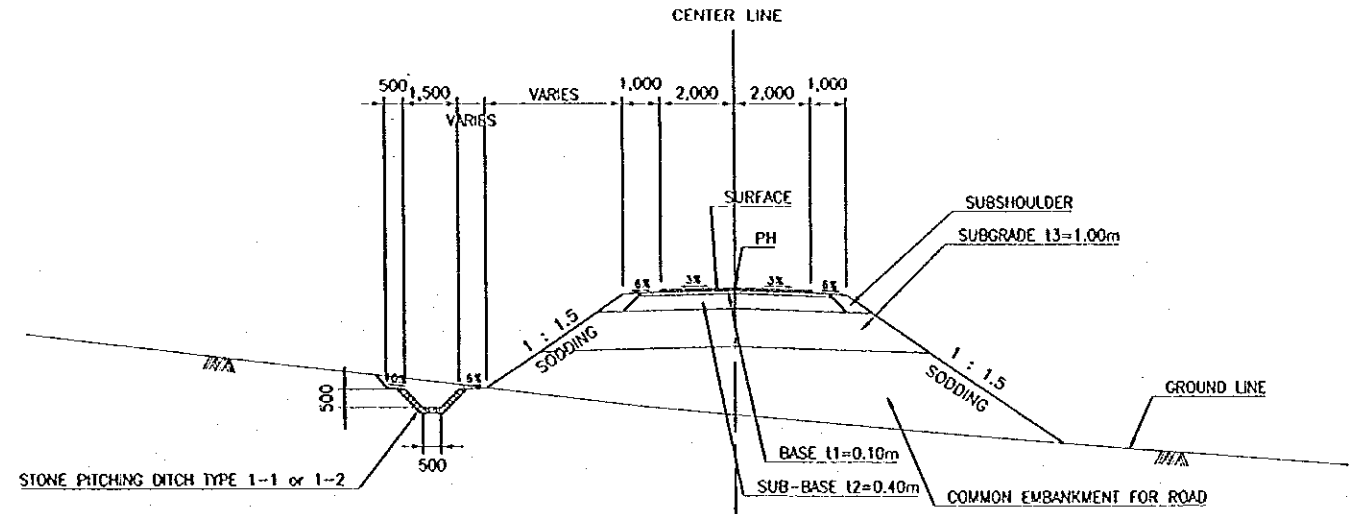
- JD-P1-AR-Ce-1 HORIZONTAL ALIGNMENT AND LAYOUT DATA (1/2)
- JD-P1-AR-Lr-1 LEFT BANK ACCESS ROAD - PLAN (1/2)
- JD-P1-AR-Lr-2 LEFT BANK ACCESS ROAD - PLAN (2/2)
- JD-P1-AR-Hr-1 ACCESS ROAD TO HYDROPOWER STATION - PLAN (1/2)
- JD-P1-AR-Hr-2 ACCESS ROAD TO HYDROPOWER STATION - PLAN (2/2)



<p>THE REPUBLIC OF INDONESIA MINISTRY OF PUBLIC WORKS DIRECTORATE GENERAL OF WATER RESOURCES DEVELOPMENT AND DIRECTORATE GENERAL OF HUMAN SETTLEMENT PRATUNSELUNA FLOOD CONTROL PROJECT COMPONENT: JATIBARANG DAM CONSTRUCTION ACCESS ROAD ALIGNMENT AND LAYOUT DATA (2/2)</p>				<p>PROVINCE CENTRAL JAVA</p> <p>PROJECT NAME FLOOD CONTROL, URBAN DRAINAGE AND WATER RESOURCES DEVELOPMENT IN SEMARANG, SURABAYA, AND SOERABAYA DISTRICT, SEMARANG CITY</p> <p>DRAWING NO. JD-P1-AR-Ce-2</p> <p>SHEET NO. 261</p> <p>DATE CONTRACT NO.</p>	
<p>DESIGNED: [Signature]</p> <p>CHECKED: [Signature]</p> <p>DATE: [Signature]</p>				<p>DESIGNED: [Signature]</p> <p>CHECKED: [Signature]</p> <p>DATE: [Signature]</p>	
<p>APPROVED: [Signature]</p> <p>PROJECT MANAGER</p>				<p>APPROVED: [Signature]</p> <p>PROJECT MANAGER</p>	
NO.	DATE	REVISIONS	ORIGINATED	DESIGNED	APPROVED



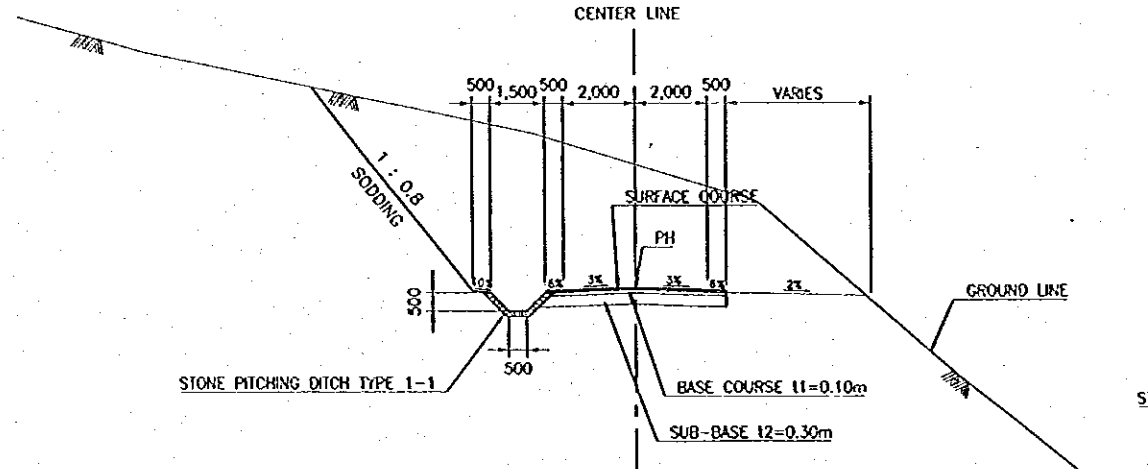
CUT TYPE A



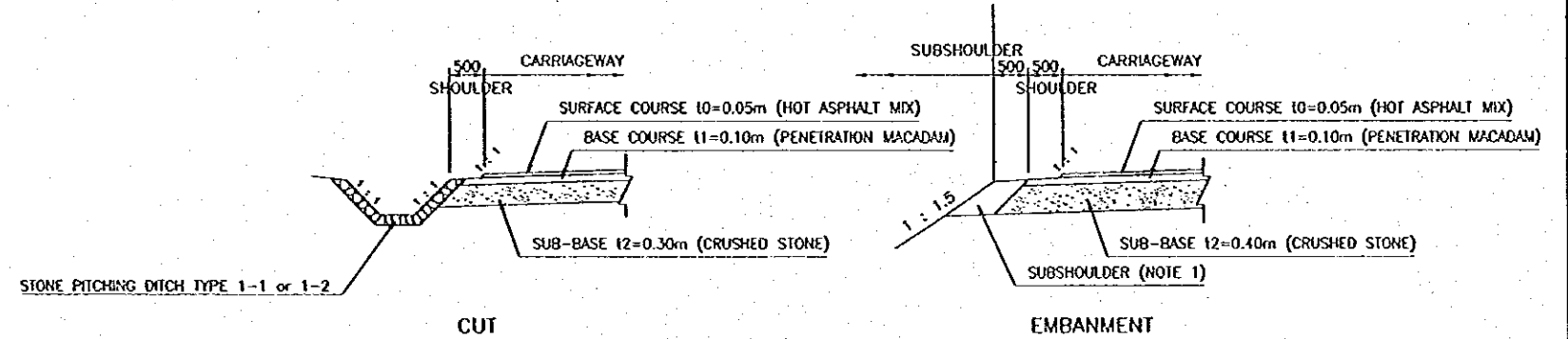
EMBANKMENT

TYPICAL CROSS SECTION

SCALE A

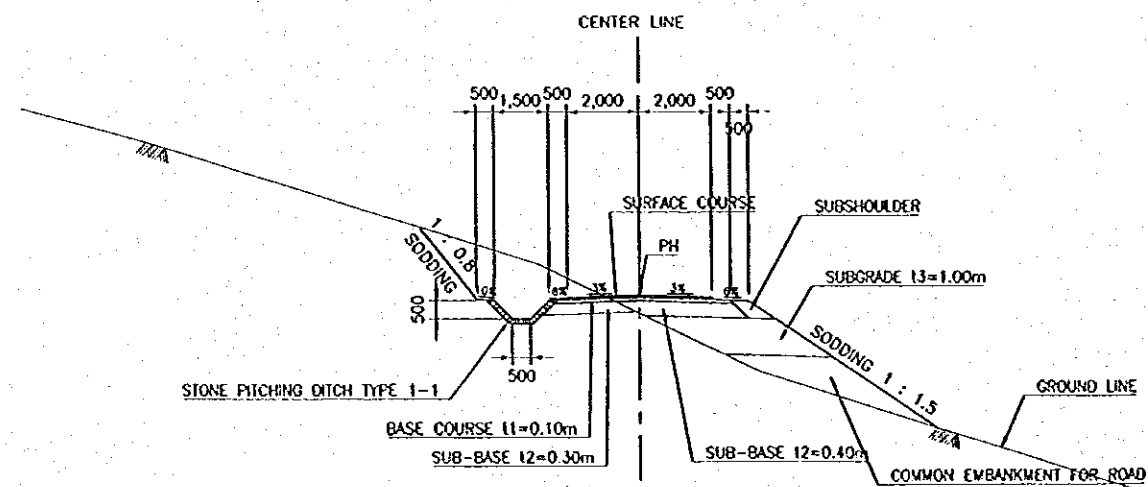


CUT TYPE B



DETAIL OF PAVEMENT STRUCTURE

SCALE B

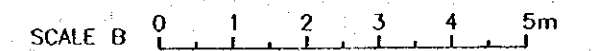
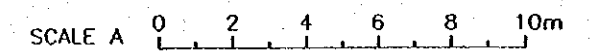


CUT AND EMBANKMENT
TYPICAL CROSS SECTION

SCALE A

NOTES

1. ALL DIMENSIONS ARE IN MILLIMETERS, UNLESS OTHERWISE NOTED.
2. SUBSHOULDER SHALL BE MADE OF SAME MATERIAL WITH SUBGRADE.



NO.	DATE	REVISIONS	ORIGINATED	DESIGNED	APPROVED

	THE REPUBLIC OF INDONESIA MINISTRY OF PUBLIC WORKS DIRECTORATE GENERAL OF WATER RESOURCES DEVELOPMENT AND DIRECTORATE GENERAL OF HUMAN SETTLEMENT	PROVINCE CENTRAL JAVA
	JATUNSELUNA FLOOD CONTROL PROJECT COMPONENT: JATUBARANG DAM CONSTRUCTION ACCESS ROAD TYPICAL CROSS SECTIONS	PROJECT NAME FLOOD CONTROL, ULMAH DAM AND WATER RESOURCES DEVELOPMENT IN SEMARANG IN THE REPUBLIC OF INDONESIA DISTRICT SEMARANG CITY
	UJIAN INTERNASIONAL COOPERATION AGENCY CITI ENGINEERING CO., LTD. IN ASSOCIATION WITH PACIFIC CONSULTANTS INTERNATIONAL PARTNER INTERNATIONAL INC.	DRAWING NO. JD-P1-AR-G4-3 SHEET NO. 282
	CHIEF OF PLANNING AND DESIGN PROJECT MANAGER	DATE CONTRACT NO.