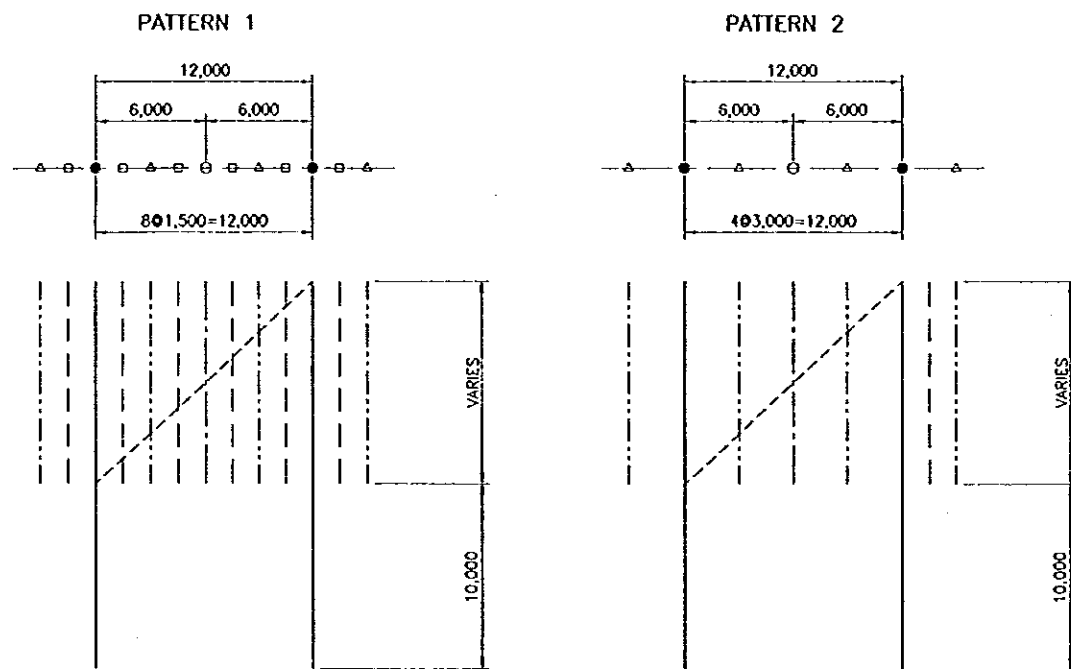


LONGITUDINAL PROFILE ALONG CURTAIN GROUT LINE

SCALE A

LEGEND	
rd	: RIVER DEPOSIT
td	: TALUS DEPOSIT
Su	: UPPER SEDIMENTARY ROCK UNIT
Pu	: UPPER PYROCLASTIC ROCK UNIT
Sm	: MIDDLE SEDIMENTARY ROCK UNIT
Pi	: LOWER PYROCLASTIC ROCK UNIT



PATTERN OF CURTAIN GROUT HOLES

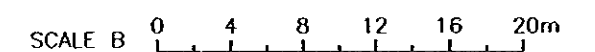
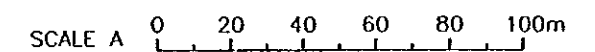
SCALE B

NOTES

1. ALL DIMENSIONS ARE IN MILLIMETERS, UNLESS OTHERWISE NOTED.
2. THE GEOLOGICAL INFORMATION IS ONLY FOR REFERENCE.

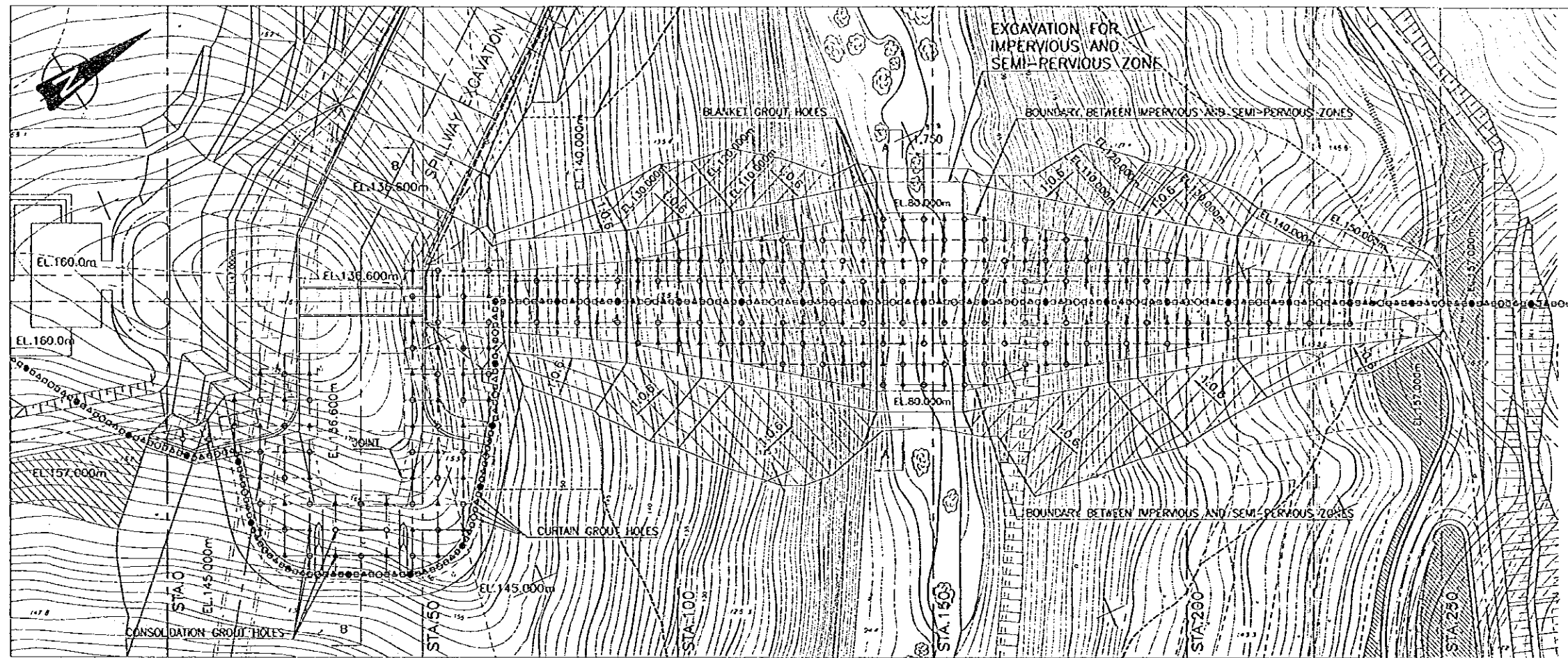
REFERENCE DRAWINGS

- JD-P1-ED-Gr-1 ARRANGEMENT OF FOUNDATION GROUTING (1/3)
- JD-P1-ED-Gr-3 ARRANGEMENT OF FOUNDATION GROUTING (3/3)

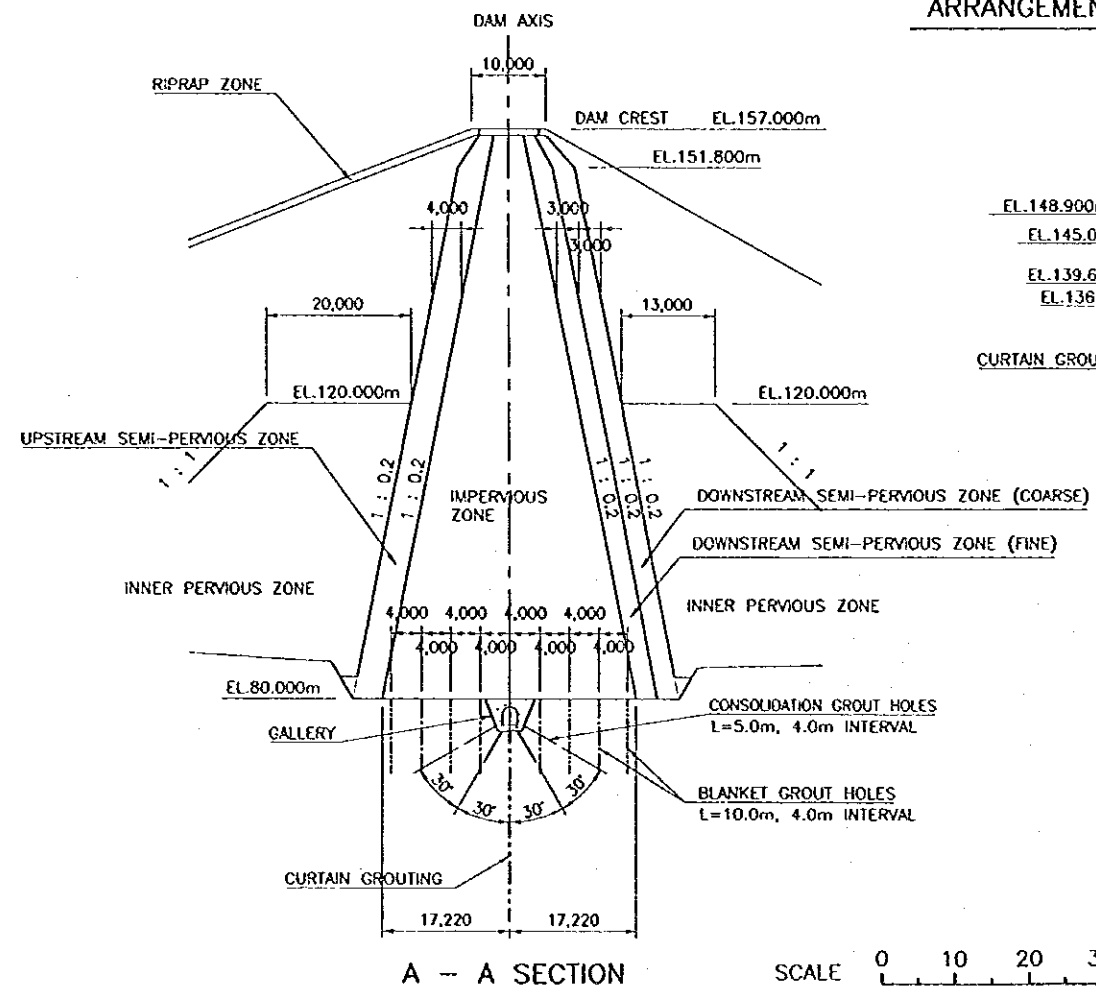


NO.	DATE	REVISIONS	ORIGINATED	DESIGNED	APPROVED

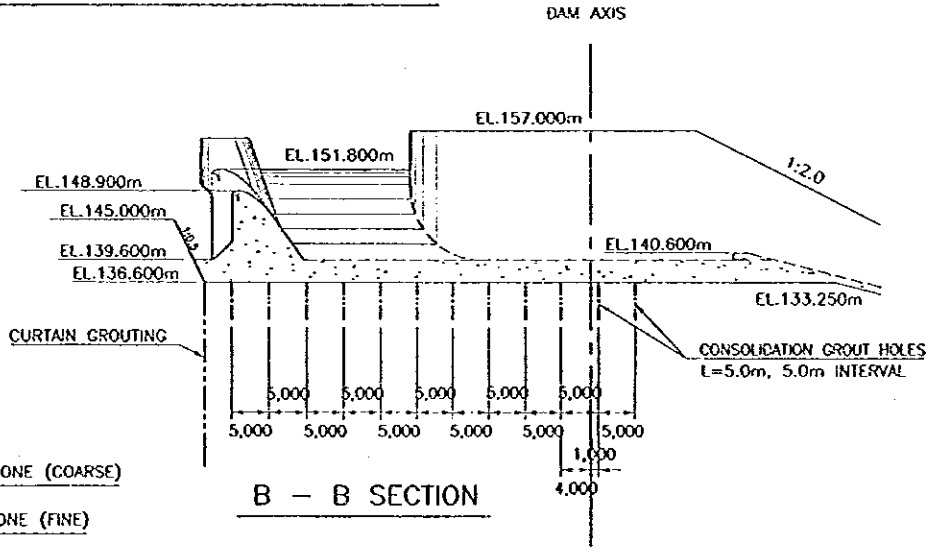
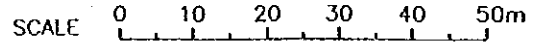
THE REPUBLIC OF INDONESIA MINISTRY OF PUBLIC WORKS DIRECTORATE GENERAL OF WATER RESOURCES DEVELOPMENT AND DIRECTORATE GENERAL OF HUMAN SETTLEMENT JATUNUSALUNA FLOOD CONTROL PROJECT COMPONENT : JATIBARANG DAM CONSTRUCTION EMBANKMENT DAM ARRANGEMENT OF FOUNDATION GROUTING (2/3)	PROJECT CENTRAL JAVA
	PROJECT NAME FLOOD CONTROL, URBAN DRAINAGE AND WATER RESOURCES DEVELOPMENT IN SEMARANG IN THE REPUBLIC OF INDONESIA DISTRICT
	SEMARANG CITY DRAWING NO. JD-P1-ED-Gr-2 SHEET NO. 73
	DATE CONTRACT NO.
DESIGNED CHECKED CHIEF OF PLANNING AND DESIGN	PROJECT MANAGER



ARRANGEMENT OF GROUT HOLES



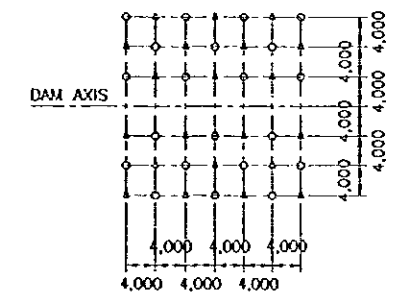
A - A SECTION



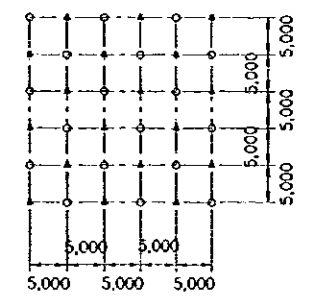
B - B SECTION

- NOTES**
1. ALL DIMENSIONS ARE IN MILLIMETERS, UNLESS OTHERWISE NOTED.
 2. PATTERN OF CURTAIN GROUT HOLES IS SHOWN IN DRAWING NO. JD-P1-ED-Gr-1.
 3. EXCAVATION PLAN FOR DAM FOUNDATION IS SHOWN IN DRAWING NO. JD-P1-ED-Ge-4.

- REFERENCE DRAWINGS**
- JD-P1-ED-Gr-2 ARRANGEMENT OF FOUNDATION GROUTING (2/3)
 - JD-P1-OT-Gr-3 ARRANGEMENT OF FOUNDATION GROUTING (3/3)



PATTERN OF BLANKET GROUT HOLES



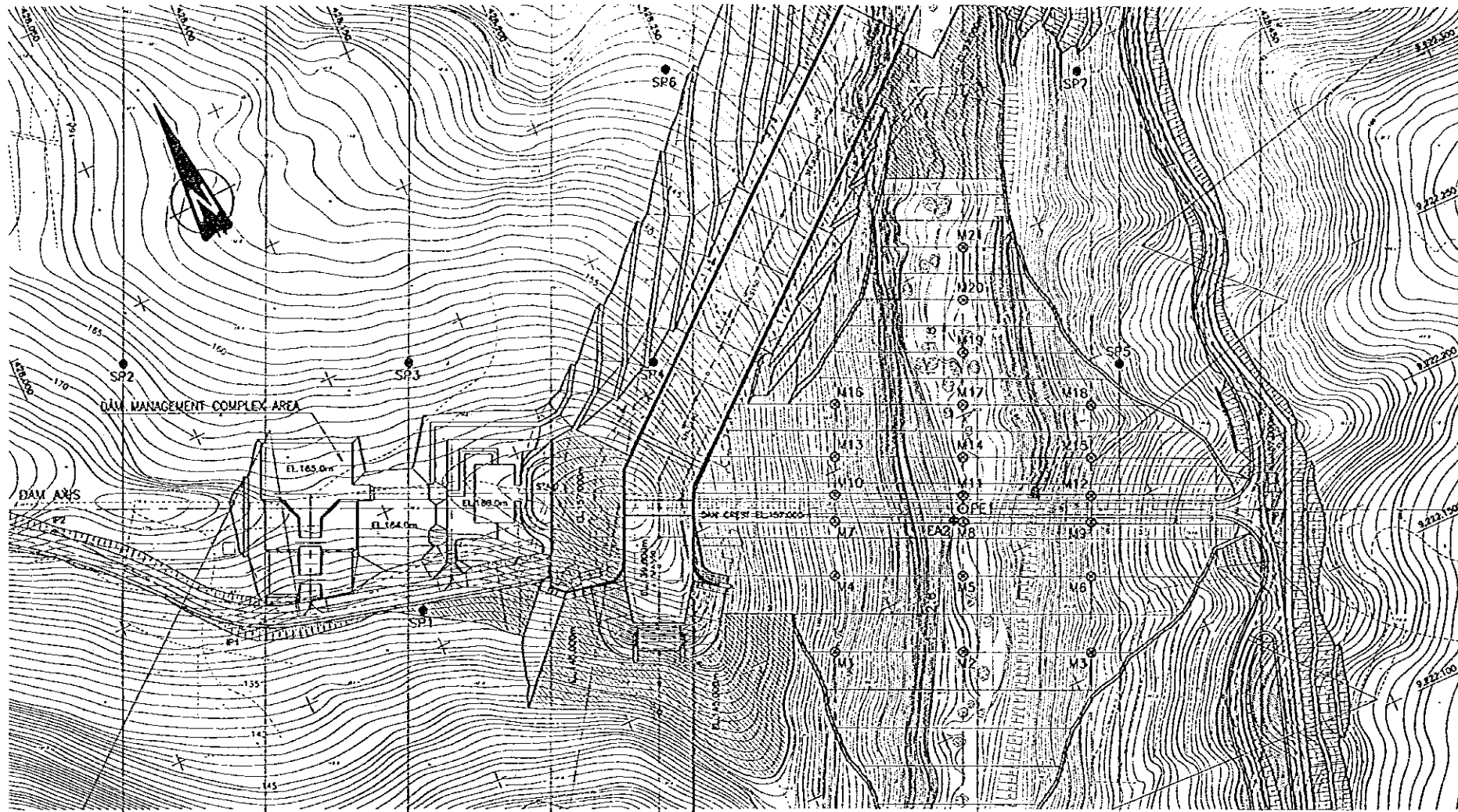
PATTERN OF CONSOLIDATION GROUT HOLES

- LEGEND**
- PRIMARY HOLES
 - ▲ SECONDARY HOLES

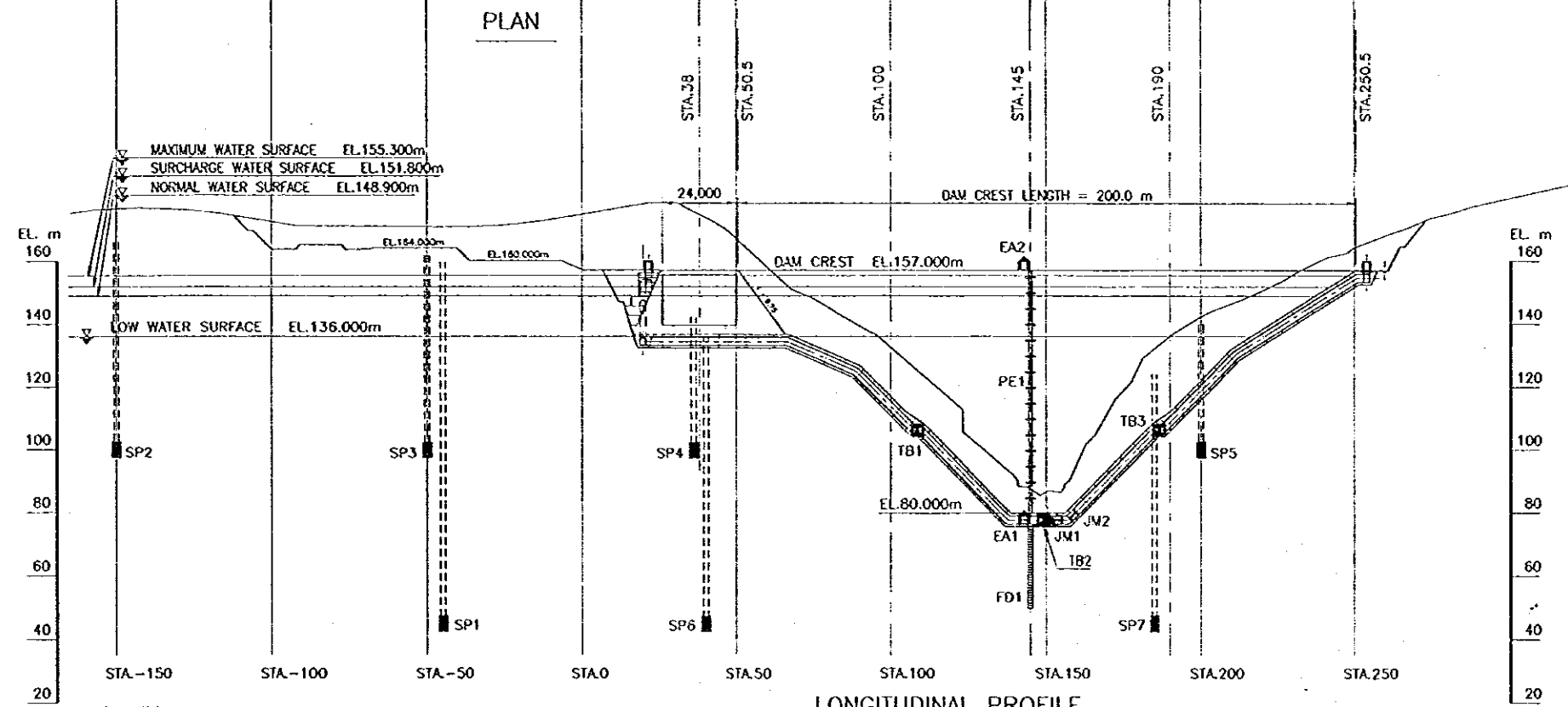
- LEGEND**
- PRIMARY HOLES
 - ▲ SECONDARY HOLES

NO.	DATE	REVISIONS	ORIGINATED	DESIGNED	APPROVED

THE REPUBLIC OF INDONESIA MINISTRY OF PUBLIC WORKS DIRECTORATE GENERAL OF WATER RESOURCES DEVELOPMENT AND DIRECTORATE GENERAL OF HUMAN SETTLEMENT JATUNSELUNA FLOOD CONTROL PROJECT COMPONENT : JATIRARANG DAM CONSTRUCTION EMBANKMENT DAM ARRANGEMENT OF FOUNDATION GROUTING (3/3)		PROVINCE CENTRAL JAVA PROJECT NAME FLOOD CONTROL, DAM DESIGN AND WATER RESOURCES DEVELOPMENT IN SEMARANG IN THE REPUBLIC OF INDONESIA DISTRICT SEMARANG CITY DRAWING NO. JD-P1-ED-Gr-3 SHEET NO. 73-2 DATE CONTRACT NO.
JAPAN INTERNATIONAL COOPERATION AGENCY CIE ENGINEERING CO. LTD. IN ASSOCIATION WITH PACIFIC CONSULTANTS INTERNATIONAL PANGLOSS INTERNATIONAL INC.	DESIGNED CHECKED CHIEF OF PLANNING AND DESIGN PROJECT MANAGER	APPROVED



PLAN



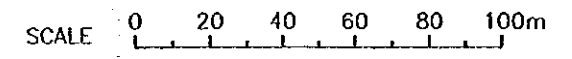
LONGITUDINAL PROFILE

- NOTES**
1. ALL DIMENSIONS ARE IN MILLIMETERS, UNLESS OTHERWISE NOTED.
 2. INSTRUMENTATION LOCATIONS AND ELEVATION ARE APPROXIMATE AND WILL BE FINALIZED BY THE ENGINEER AS PER SITE CONDITIONS.

REFERENCE DRAWINGS

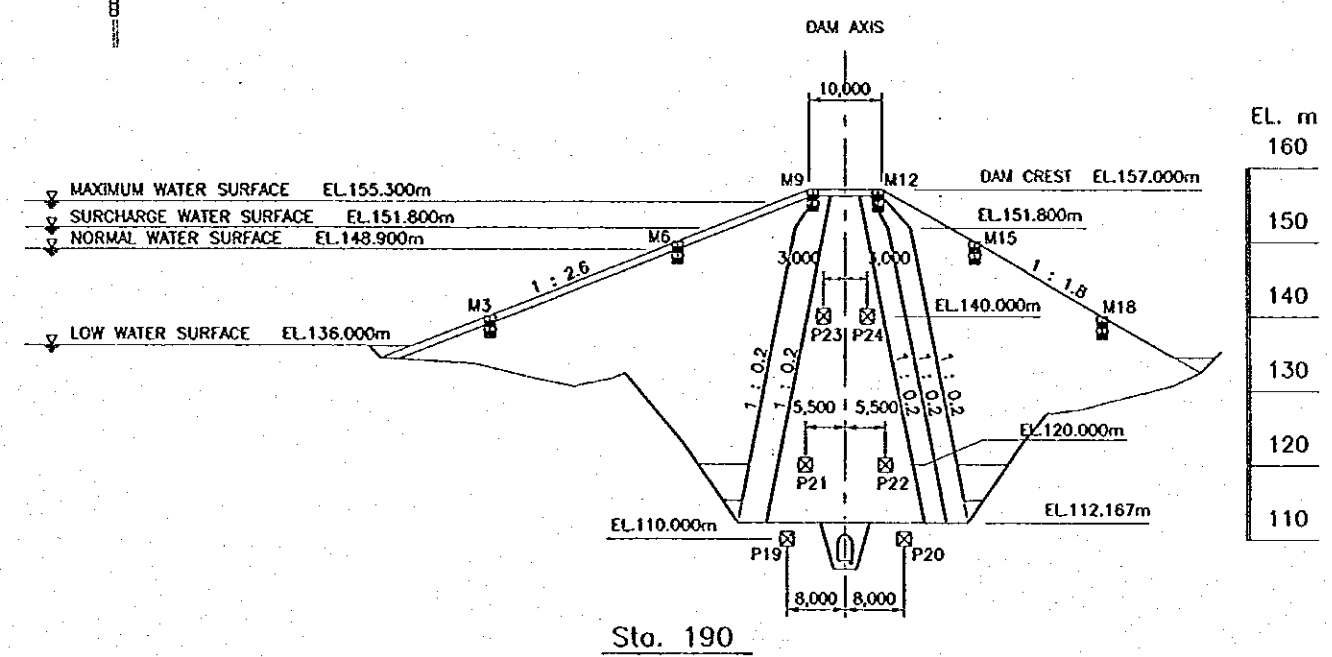
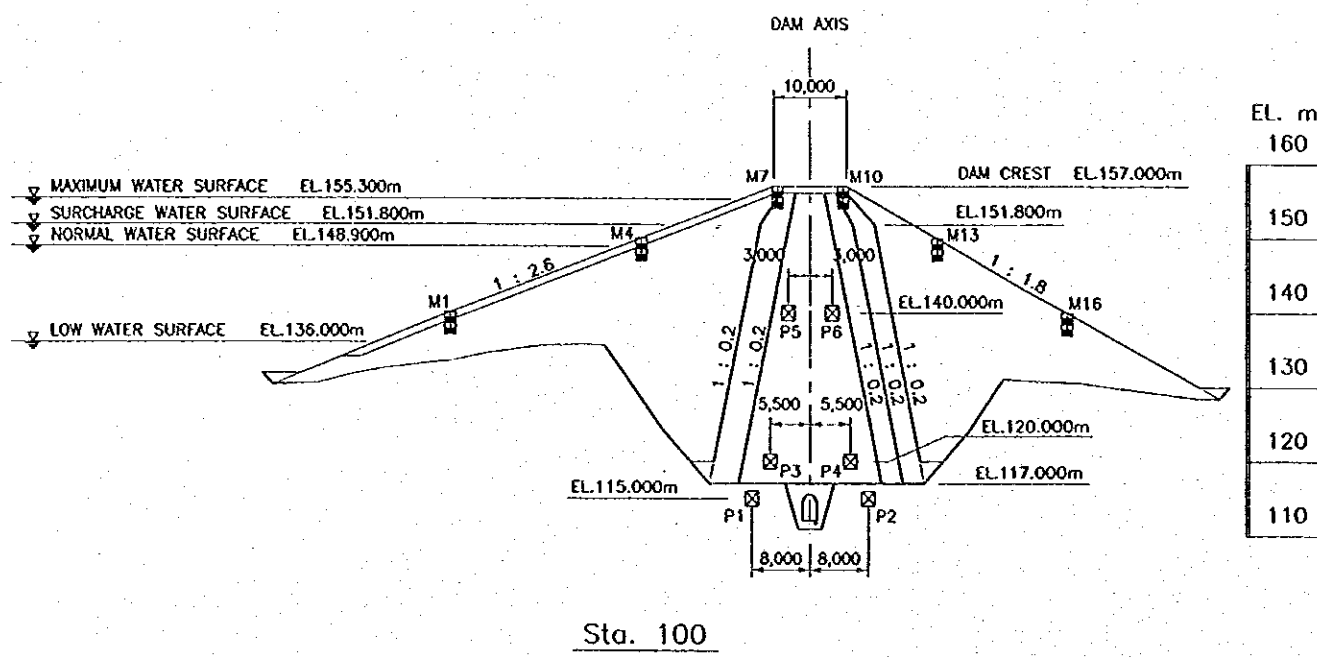
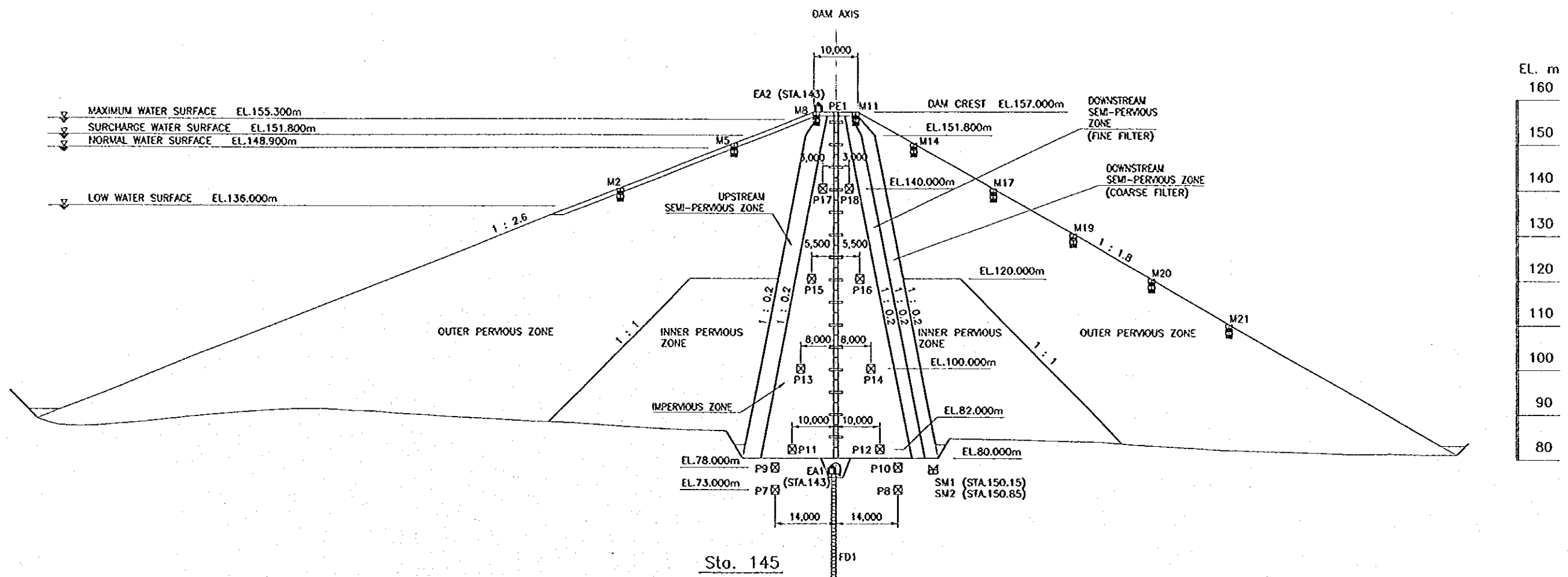
JD-P1-ED-In-2 INSTRUMENTATION - SECTIONS

TYPE OF INSTRUMENT	SYMBOL		DESIGNATION	LOCATION		ELEVATION	READOUT POINT	REMARKS
	PLAN	SECTION		STA.	OFFSET FROM DAM AXIS			
SURFACE MOVEMENT MARKER	⊗	■	M1	100	49.2m U/S	EL.140.000m	-	
			M2	145	49.2m U/S	EL.140.000m	-	
			M3	190	49.2m U/S	EL.140.000m	-	
			M4	100	23.2m U/S	EL.150.000m	-	
			M5	145	23.2m U/S	EL.150.000m	-	
			M6	190	23.2m U/S	EL.150.000m	-	
			M7	100	4.5m U/S	EL.157.000m	-	
			M8	145	4.5m U/S	EL.157.000m	-	
			M9	190	4.5m U/S	EL.157.000m	-	
			M10	100	4.5m D/S	EL.157.000m	-	
			M11	145	4.5m D/S	EL.157.000m	-	
			M12	190	4.5m D/S	EL.157.000m	-	
			M13	100	17.6m U/S	EL.150.000m	-	
			M14	145	17.6m U/S	EL.150.000m	-	
			M15	190	17.6m U/S	EL.150.000m	-	
			M16	100	35.6m U/S	EL.140.000m	-	
			M17	145	35.6m U/S	EL.140.000m	-	
			M18	190	35.6m U/S	EL.140.000m	-	
			M19	190	53.6m U/S	EL.130.000m	-	
			M20	190	71.6m U/S	EL.120.000m	-	
			M21	190	89.6m U/S	EL.110.000m	-	
CASAGRANDE STANDOFF PIEZOMETER	●		SP1	-45	35.0m U/S	EL.45.000m	-	
			SP2	-150	50.0m D/S	EL.100.000m	-	
			SP3	-50	50.0m D/S	EL.100.000m	-	ELEVATION REFER TO PIEZOMETER TIP
			SP4	36	50.0m D/S	EL.100.000m	-	
			SP5	200	50.0m D/S	EL.100.000m	-	
			SP6	40	150.0m D/S	EL.45.000m	-	
			SP7	185	150.0m D/S	EL.45.000m	-	
ELECTRICAL PIEZOMETER	⊗	■	P1	100	8.0m U/S	EL.115.000m	TB1	
			P2	100	8.0m D/S	EL.115.000m	TB1	
			P3	100	5.5m U/S	EL.120.000m	TB1	
			P4	100	5.5m D/S	EL.120.000m	TB1	
			P5	100	3.0m U/S	EL.140.000m	TB1	
			P6	100	3.0m D/S	EL.140.000m	TB1	
			P7	145	14.0m U/S	EL.73.000m	TB2	
			P8	145	14.0m D/S	EL.73.000m	TB2	
			P9	145	14.0m U/S	EL.78.000m	TB2	
			P10	145	14.0m D/S	EL.78.000m	TB2	
			P11	145	10.0m U/S	EL.82.000m	TB2	
			P12	145	10.0m D/S	EL.82.000m	TB2	ELEVATION REFER TO PIEZOMETER TIP
			P13	145	8.0m U/S	EL.100.000m	TB3	
			P14	145	8.0m D/S	EL.100.000m	TB3	
			P15	145	5.5m U/S	EL.120.000m	TB3	
			P16	145	5.5m D/S	EL.120.000m	TB3	
			P17	145	3.0m U/S	EL.140.000m	TB3	
			P18	145	3.0m D/S	EL.140.000m	TB3	
			P19	190	8.0m U/S	EL.110.000m	TB3	
			P20	190	8.0m D/S	EL.110.000m	TB3	
			P21	190	5.5m U/S	EL.120.000m	TB3	
			P22	190	5.5m D/S	EL.120.000m	TB3	
			P23	190	3.0m U/S	EL.140.000m	TB3	
			P24	190	3.0m D/S	EL.140.000m	TB3	
PROBE EXTENSOMETER	○	⊥	PE1	145	DAM AXIS	EL.80.000m EL.157.000m	-	
FOUNDATION DEFORMATION METER			FD1	145	0.5m U/S	EL.76.500m EL.50.000m	TB2	
TRI-AXIAL JOINT METER		⊕	JM1	153.5	3.0m U/S	EL.79.500m	TB2	
			JM2	158.5	3.0m D/S	EL.80.000m	TB2	
SEEPAGE MEASURING DEVICE		⊞	SM1	150.15	21.4m D/S	EL.76.500m	-	
			SM2	150.85	21.4m D/S	EL.76.500m	-	
STRONG MOTION ACCELEROGRAPH	◆	⊞	EA1	143	0.75m U/S	EL.76.500m	-	
			EA2	143	4.0m U/S	EL.157.000m	-	
TERMINAL BOX	■		TB1	108.5	1.0m D/S	EL.105.800m	-	6 POINTS
			TB2	149	1.0m D/S	EL.77.300m	-	9 POINTS
			TB3	188.5	1.0m D/S	EL.105.800m	-	12 POINTS



NO.	DATE	REVISIONS	ORIGINATED	DESIGNED	APPROVED

THE REPUBLIC OF INDONESIA MINISTRY OF PUBLIC WORKS DIRECTORATE GENERAL OF WATER RESOURCES DEVELOPMENT AND DIRECTORATE GENERAL OF HUMAN SETTLEMENT		PROJECT NAME FLOOD CONTROL, URBAN DRAINAGE AND WATER RESOURCES DEVELOPMENT IN SEMARANG IN THE REPUBLIC OF INDONESIA
PRATUNJELUNA FLOOD CONTROL PROJECT COMPONENT: JATIBARANG DAM CONSTRUCTION EMBANKMENT DAM INSTRUMENTATION LAYOUT PLAN AND PROFILE		CONTRACT SEMARANG CITY DRAWING NO. JD-P1-ED-In-1 SHEET NO. 74
JAPAN INTERNATIONAL COOPERATION AGENCY CIL ENGINEERING CO., LTD. PACIFIC CONSULTANTS INTERNATIONAL JAPAN INTERNATIONAL INC.	DESIGNED CHECKED APPROVED	DATE CONTRACT NO.



NOTES

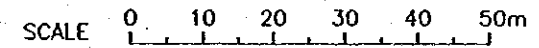
1. ALL DIMENSIONS ARE IN MILLIMETERS, UNLESS OTHERWISE NOTED.
2. SECTIONS ARE REFERRED FROM DRAWING NO. JD-P1-ED-In-1.
3. INSTRUMENTATION LOCATIONS AND ELEVATION ARE APPROXIMATE AND WILL BE FINALIZED BY THE ENGINEER AS PER SITE CONDITIONS.

REFERENCE DRAWINGS

JD-P1-ED-In-1 INSTRUMENTATION - LAYOUT PLAN AND PROFILE

LEGEND

TYPE OF INSTRUMENT	SYMBOL	DESIGNATION
SURFACE MOVEMENT MARKER	M	M
ELECTRICAL PIEZOMETER	P	P
PROVE EXTENSOMETER	PE	PE
FOUNDATION DEFORMATION METER	FD	FD
SEEPAGE MEASURING DEVICE	SM	SM
STRONG MOTION ACCELEROGRAPH	EA	EA



NO.	DATE	REVISIONS	ORIGINATOR	DESIGNED	APPROVED

THE REPUBLIC OF INDONESIA
 MINISTRY OF PUBLIC WORKS
 DIRECTORATE GENERAL OF WATER RESOURCES DEVELOPMENT
 AND DIRECTORATE GENERAL OF HUMAN SETTLEMENT

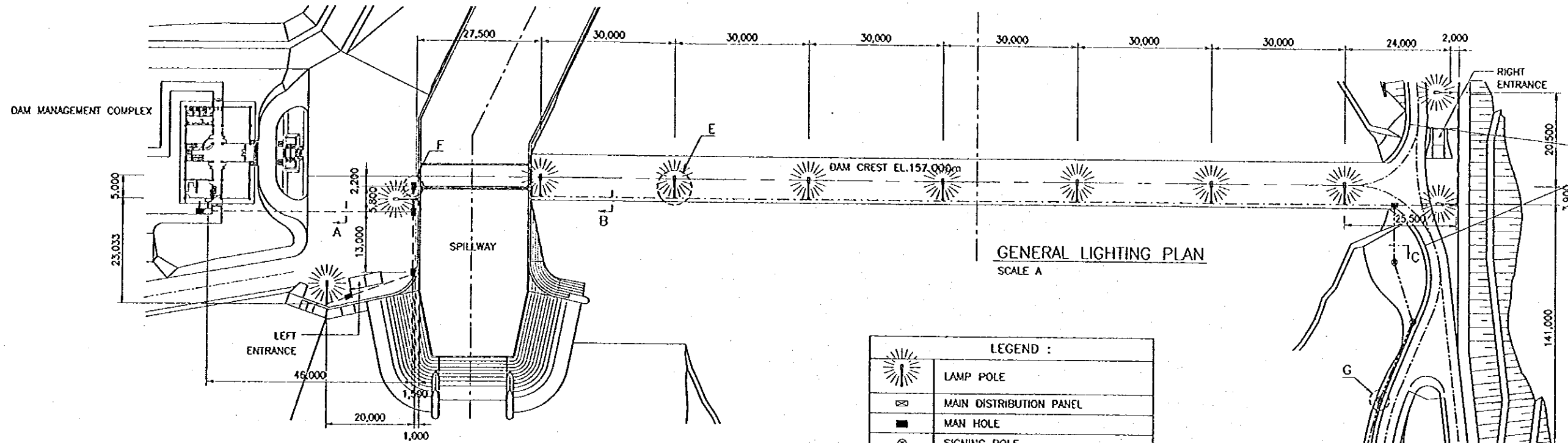
JATUNGSELUNA FLOOD CONTROL PROJECT
 COMPONENT: JATIBARANG DAM CONSTRUCTION
 EMBANKMENT DAM
 INSTRUMENTATION
 SECTIONS

DAFTAR INSTRUMENTASI
 CIE ENGINEERING CO., LTD. IN ASSOCIATION WITH
 PACIFIC CONSULTANTS INTERNATIONAL
 PACIFIC INTERNATIONAL, INC.

PROJEN: CENTRAL JAWA
 PROYEK: JAWA
 KAWASAN: SEMARANG
 LOKASI: JATIBARANG
 NO. DOKUMEN: JD-P1-ED-In-2
 NO. RIBET: 75
 TANGGAL:

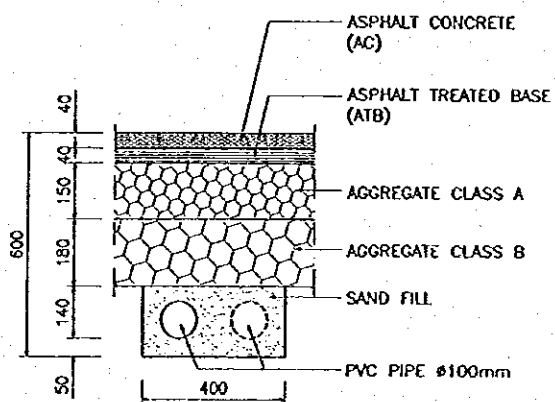
APPROVED:
 CHECKED:
 CROCKED:
 DATE:

CHIEF OF PLANNING AND DESIGN
 PROJECT MANAGER

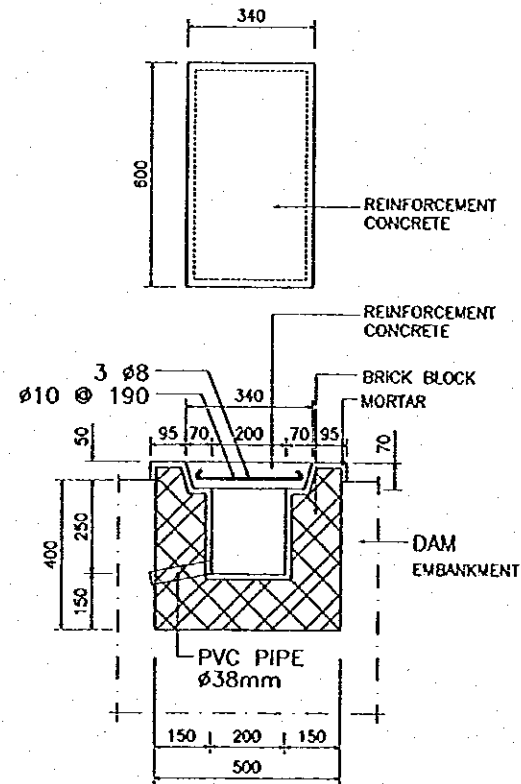


LEGEND :

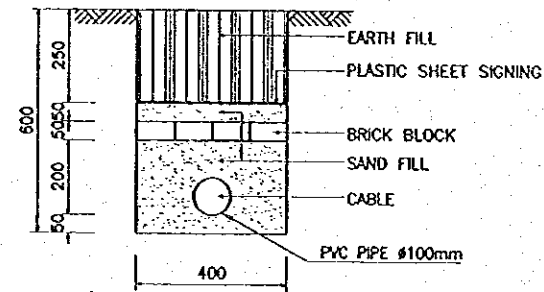
	LAMP POLE
	MAIN DISTRIBUTION PANEL
	MAN HOLE
	SIGNING POLE
	UNDER GROUND CABLE LINE TYPE A
	UNDER GROUND CABLE LINE TYPE B
	UNDER GROUND CABLE LINE TYPE C



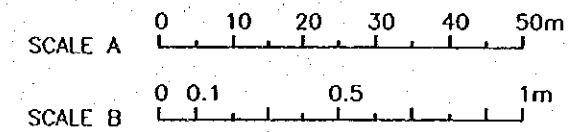
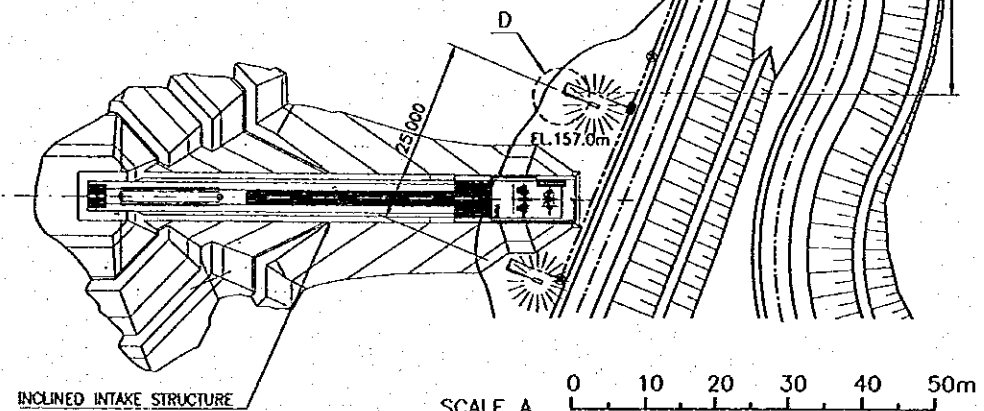
DETAIL A
SCALE B



DETAIL B
SCALE B



DETAIL C
SCALE B



NOTES

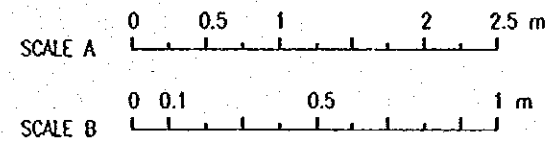
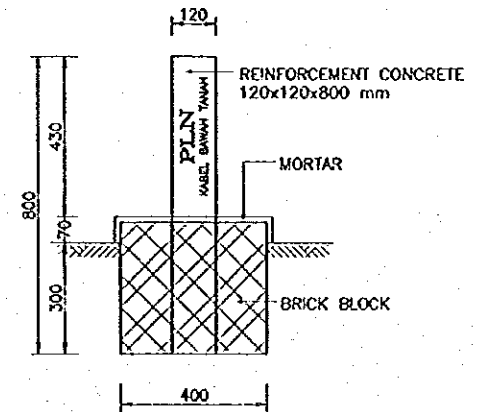
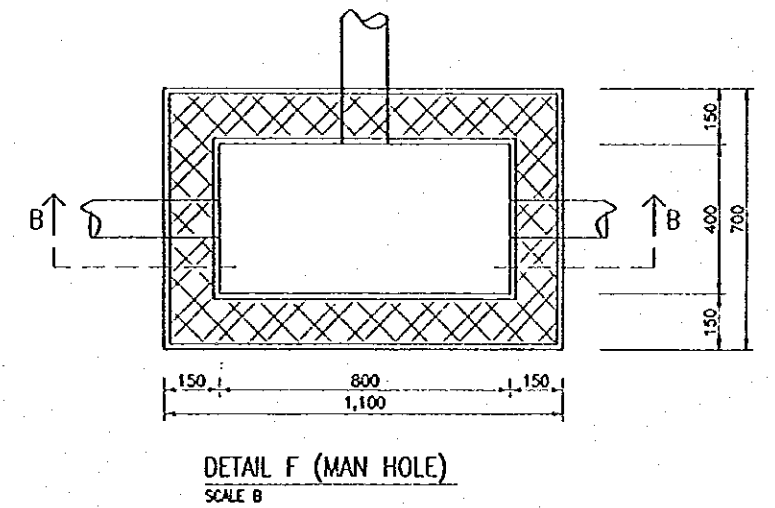
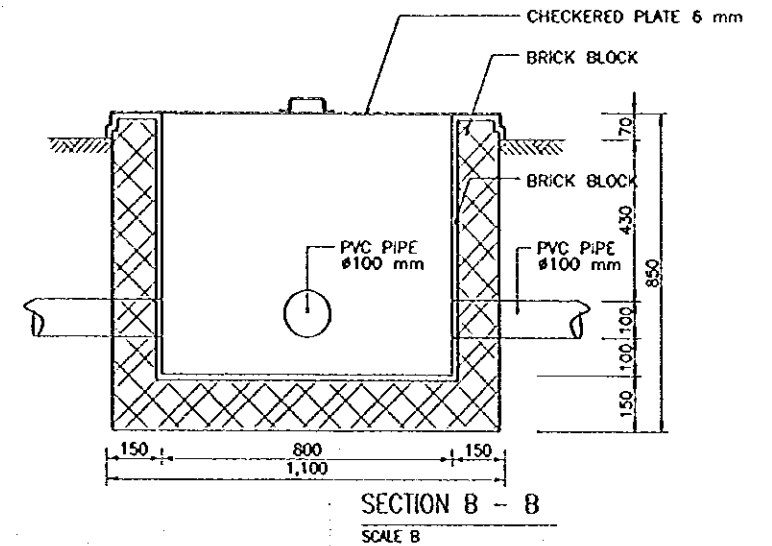
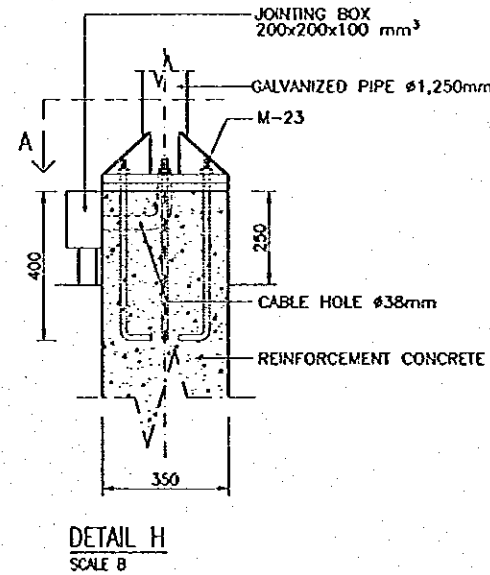
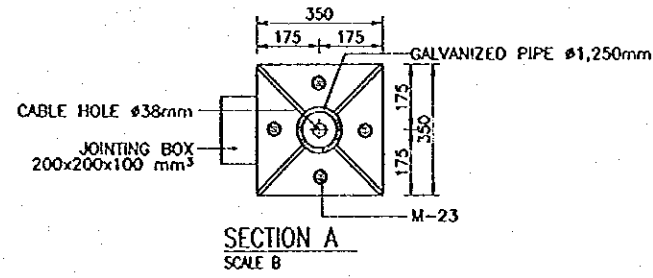
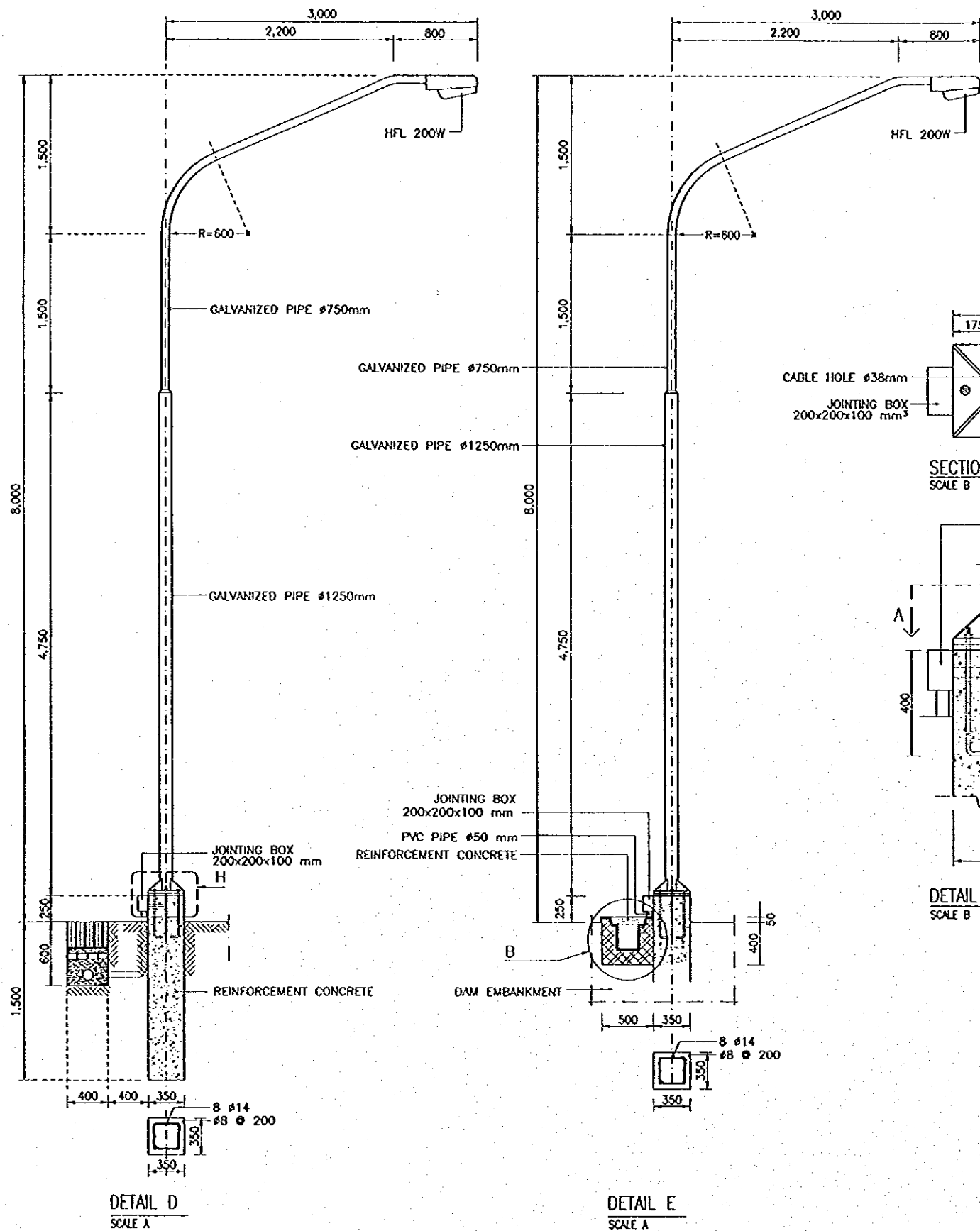
1. ALL DIMENSIONS ARE IN MILLIMETERS, UNLESS OTHERWISE NOTED.

REFERENCE DRAWINGS

- JD-P1-ED-EI-2 ELECTRICAL WORKS - GENERAL LIGHTING PLAN AND DETAILS (2/2)
- JD-P1-ED-EI-6 ELECTRICAL WORKS - ONE LINE ELECTRICAL DIAGRAM AND DISTRIBUTION PANEL
- JD-P1-ED-EI-7 GALLERY AND GENERAL LIGHTING INSTALLATION

NO.	DATE	REVISIONS	ORGANIZED	DESIGNED	APPROVED

THE REPUBLIC OF INDONESIA MINISTRY OF PUBLIC WORKS DIRECTORATE GENERAL OF WATER RESOURCES DEVELOPMENT AND DIRECTORATE GENERAL OF HUMAN SETTLEMENT		PROJECT CENTRAL JAVA
JATARSSELUNA FLOOD CONTROL PROJECT COMPONENT : JATIBARANG DAM CONSTRUCTION EMBANKMENT DAM ELECTRICAL WORKS GENERAL LIGHTING PLAN AND DETAILS (1/2)		PROJECT NAME FLOOD CONTROL, URBAN DRAINAGE AND WATER RESOURCES DEVELOPMENT IN SEMARANG IN THE REPUBLIC OF INDONESIA
JAPAN INTERNATIONAL COOPERATION AGENCY CITY ENGINEERING CO. LTD. IN ASSOCIATION WITH PACIFIC CONSULTANTS INTERNATIONAL YOKOHAMA INTERNATIONAL INC.		DISTRICT SEMARANG CITY
CHECKED PROJECT MANAGER		DRAWING NO. JD-P1-ED-EI-1 SHEET NO. 75 DATE CONTRACT NO.



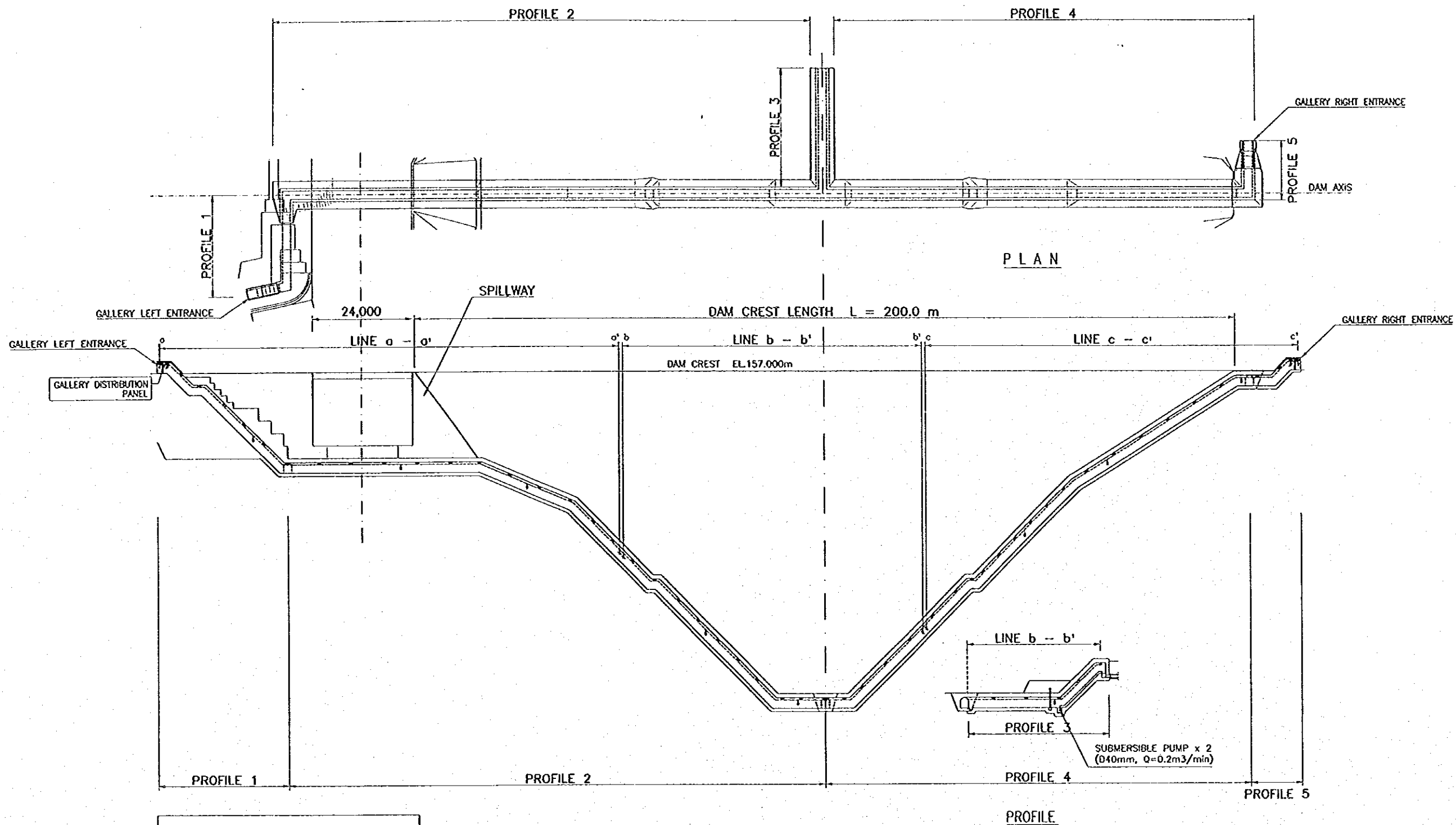
NOTES

1. ALL DIMENSIONS ARE IN MILLIMETERS, UNLESS OTHERWISE NOTED.
2. SECTION AND DETAIL ARE REFERRED FROM DRAWING NO. JD-P1-ED-EI-1.

REFERENCE DRAWINGS

JD-P1-ED-EI-1 ELECTRICAL WORKS - GENERAL LIGHTING PLAN AND DETAILS (1/2)

THE REPUBLIC OF INDONESIA MINISTRY OF PUBLIC WORKS DIRECTORATE GENERAL OF WATER RESOURCES DEVELOPMENT AND DIRECTORATE GENERAL OF HUMAN SETTLEMENT TRATUNSELUNA FLOOD CONTROL PROJECT COMPONENT : JATEBARANG DAM CONSTRUCTION EMBANKMENT DAM ELECTRICAL WORKS GENERAL LIGHTING PLAN AND DETAILS (2/2)			PROVINCE CENTRAL JAWA PROJECT NAME FLOOD CONTROL, URBAN DRAINAGE AND WATER SANITATION DEVELOPMENT IN EDISARANG IN THE REPUBLIC OF INDONESIA DISTRICT SEMARANG CITY DRAWING NO. JD-P1-ED-EI-2 SHEET NO. 77 DATE CONTRACT NO.		
JAPAN INTERNATIONAL COOPERATION AGENCY OCE ENGINEERING CO., LTD. PACIFIC CONSULTANTS INTERNATIONAL (PACIC) INTERNATIONAL INC. CHIEF OF PLANNING AND DESIGN PROJECT MANAGER			DESIGNED CHECKED APPROVED		
NO.	DATE	REVISIONS	ORIGINATED	DESIGNED	APPROVED



NOTE :

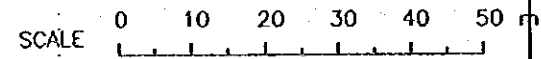
	FL 40W / TKO (HUMIDITY LAMP)
	CABLETRAY SUPPORT Ø 200 cm
	SINGLE SWITCH
	CHANGE SWITCH
	KOPLER 1#
	GALLERY DISTRIBUTION PANEL

NOTES

1. ALL DIMENSIONS ARE IN MILLIMETERS, UNLESS OTHERWISE NOTED.
2. GALLERY LIGHTING DETAILS ARE SHOWN IN DRAWINGS NO. JD-P1-ED-EI-4 AND JD-P1-ED-EI-5.

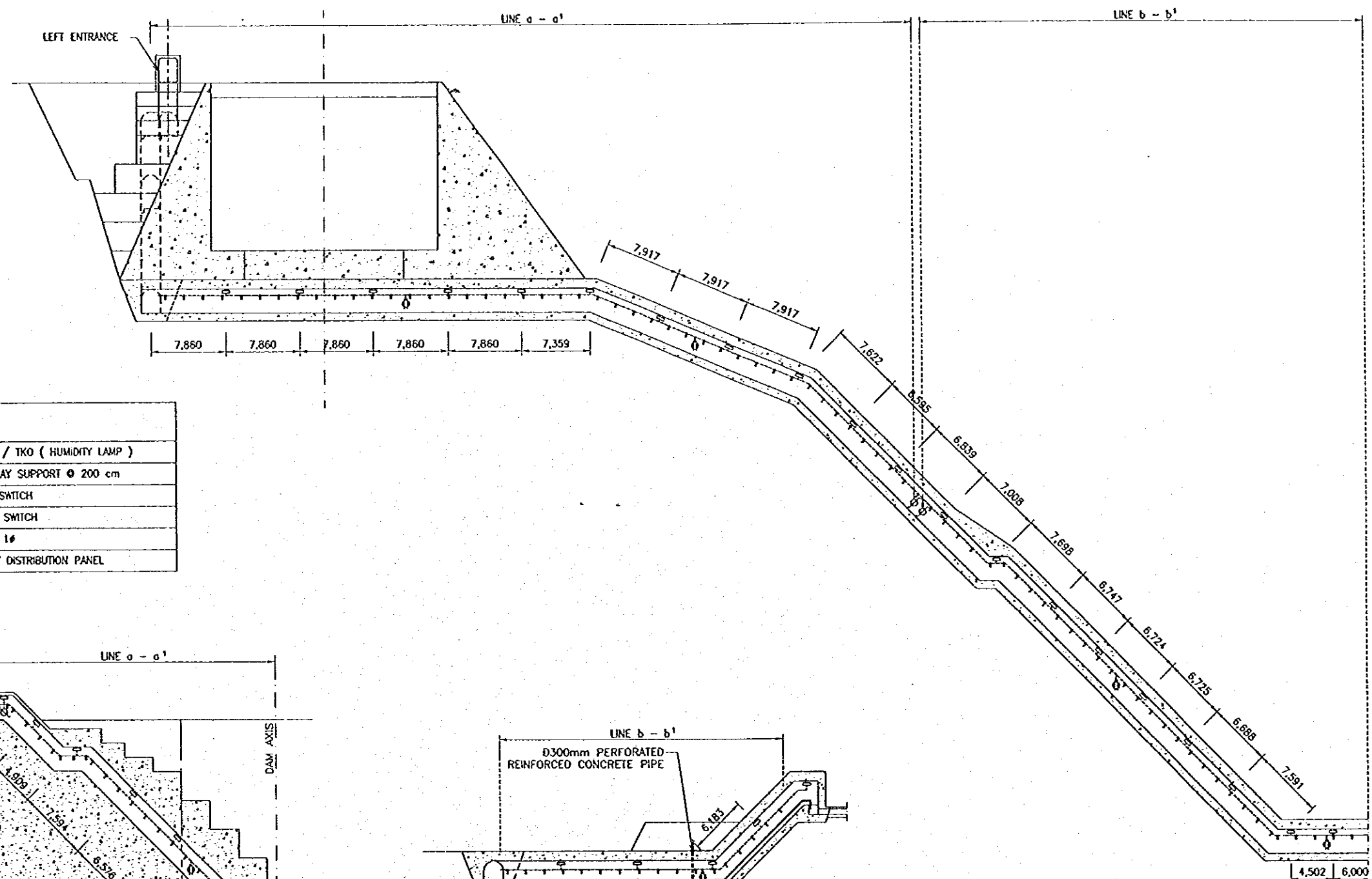
REFERENCE DRAWINGS

- JD-P1-ED-EI-4 ELECTRICAL WORKS - GALLERY LIGHTING DETAILS (1/2)
- JD-P1-ED-EI-5 ELECTRICAL WORKS - GALLERY LIGHTING DETAILS (2/2)
- JD-P1-ED-EI-6 ELECTRICAL WORKS - ONE LINE ELECTRICAL DIAGRAM AND DISTRIBUTION PANEL
- JD-P1-ED-EI-7 GALLERY AND GENERAL LIGHTING INSTALLATION



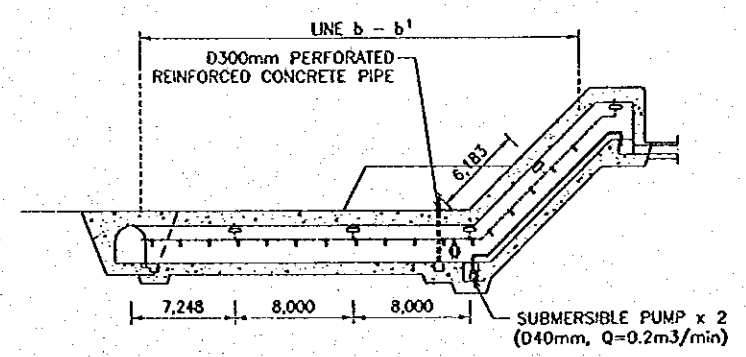
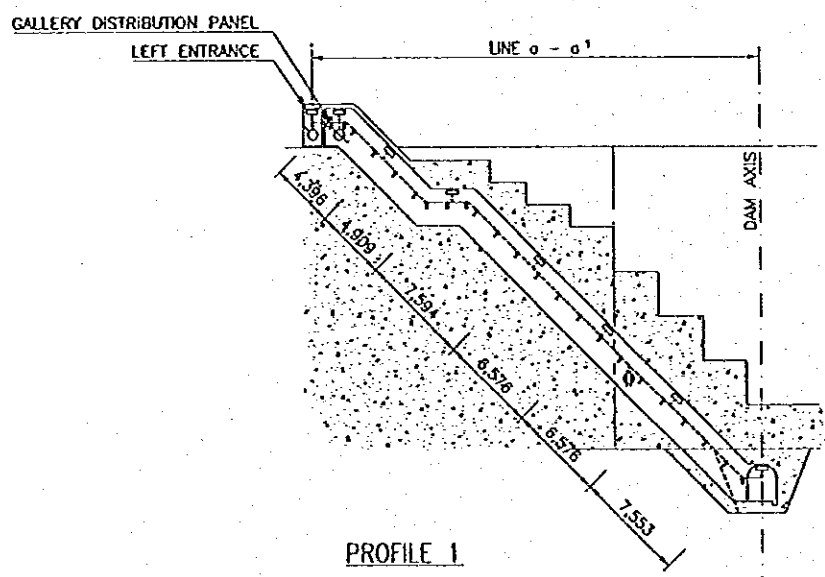
NO.	DATE	REVISIONS	ORIGINATED	DESIGNED	APPROVED

	THE REPUBLIC OF INDONESIA MINISTRY OF PUBLIC WORKS DIRECTORATE GENERAL OF WATER RESOURCES DEVELOPMENT AND DIRECTORATE GENERAL OF HUMAN SETTLEMENT		PROVINCE CENTRAL JAVA
	JATUNSELUNA FLOOD CONTROL PROJECT COMPONENT : JATIBARANG DAM CONSTRUCTION EMBANKMENT DAM ELECTRICAL WORKS GALLERY LIGHTING KEY PLAN		PROJECT NAME FLOOD CONTROL, URBAN DRAINAGE AND WATER RESOURCES DEVELOPMENT IN SEMARANG IN THE REPUBLIC OF INDONESIA
	JAPAN INTERNATIONAL COOPERATION AGENCY OTE ENGINEERING CO., LTD. IN ASSOCIATION WITH PACIFIC CONSULTANTS INTERNATIONAL (PACCI) MEMBER FIDIC		DISTRICT SEMARANG CITY
	CHIEF OF PLANNING AND DESIGN PROJECT MANAGER		DRAWING NO. JD-P1-ED-EI-3 SHEET NO. 78 DATE CONTRACT NO.

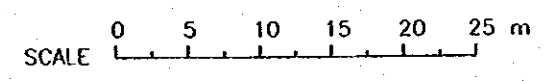


NOTE :

	FL 40W / TKO (HUMIDITY LAMP)
	CABLETRAY SUPPORT Ø 200 cm
	SINGLE SWITCH
	CHANGE SWITCH
	KOPLER 1Ø
	GALLERY DISTRIBUTION PANEL



PROFILE 2



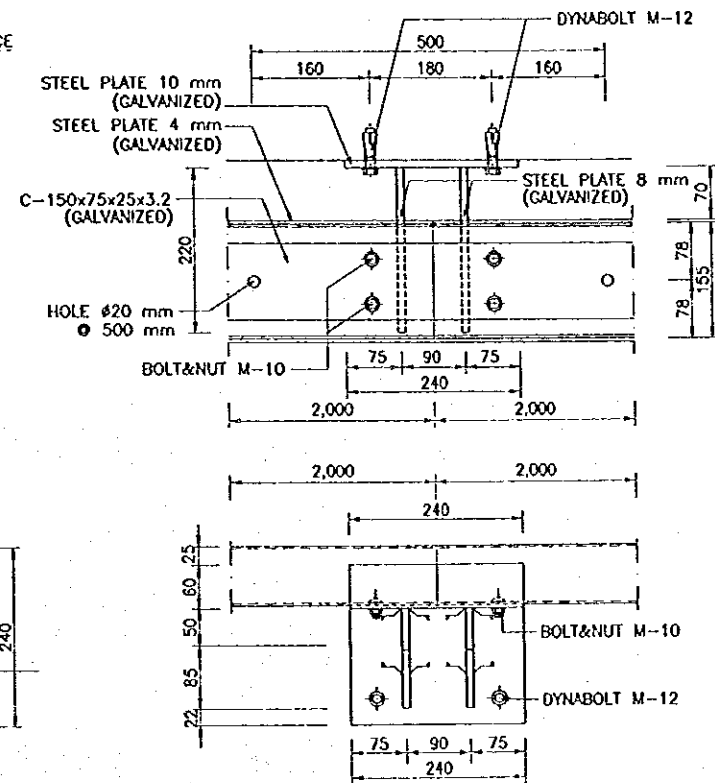
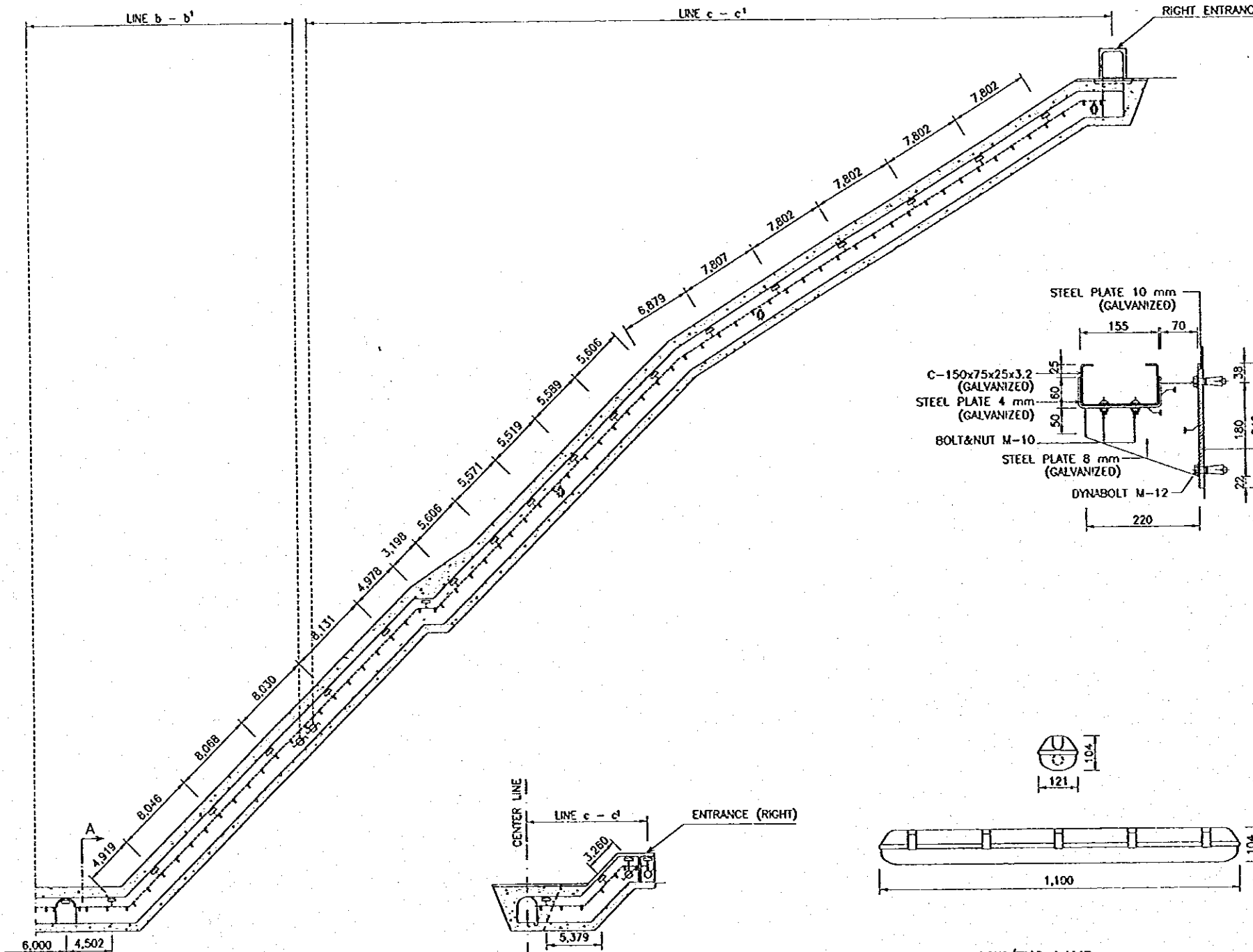
- NOTES**
1. ALL DIMENSIONS ARE IN MILLIMETERS, UNLESS OTHERWISE NOTED.
 2. PROFILES ARE REFERRED FROM DRAWING NO. JD-P1- ED-EI-3.

REFERENCE DRAWINGS

JD-P1-ED-EI-3 ELECTRICAL WORKS - GALLERY LIGHTING KEY PLAN

NO.	DATE	REVISIONS	ORIGINATED	DESIGNED	APPROVED

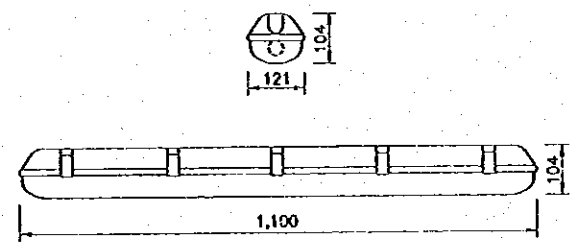
	THE REPUBLIC OF INDONESIA MINISTRY OF PUBLIC WORKS DIRECTORATE GENERAL OF WATER RESOURCES DEVELOPMENT AND DIRECTORATE GENERAL OF HUMAN SETTLEMENT		PROVINCE CENTRAL JAWA
	IRATUNSELLUNA FLOOD CONTROL PROJECT COMPONENT : JATIBARANG DAM CONSTRUCTION EMBANKMENT DAM ELECTRICAL WORKS GALLERY LIGHTING DETAILS (1/2)		PROJECT NAME FLOOD CONTROL, URBAN DRAINAGE AND WATER RESOURCES DEVELOPMENT IN SEMARANG IN THE REPUBLIC OF INDONESIA
	JAPAN INTERNATIONAL COOPERATION AGENCY OJI ENGINEERING CO. LTD. IN ASSOCIATION WITH PACIFIC CONSULTANTS INTERNATIONAL PAKCO INTERNATIONAL INC.		DISTRICT SEMARANG CITY
	CHIEF OF PLANNING AND DESIGN PROJECT MANAGER		DRAWING NO. JD-P1-ED-EI-4 SHEET NO. 79 DATE CONTRACT NO.



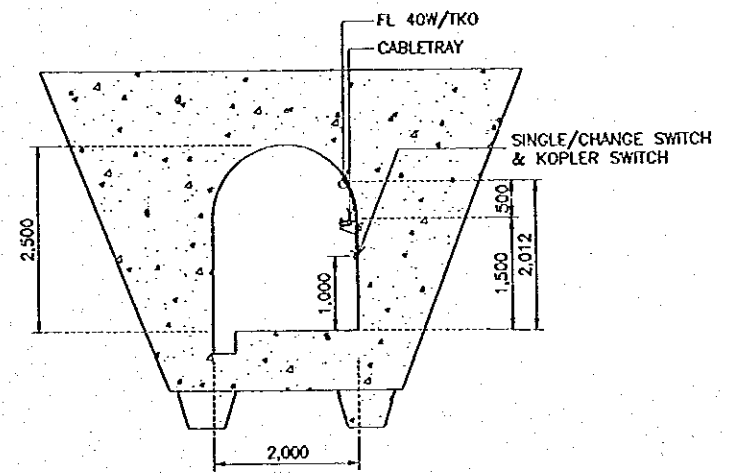
CABLETRAY DETAIL
SCALE C

PROFILE 4
SCALE A

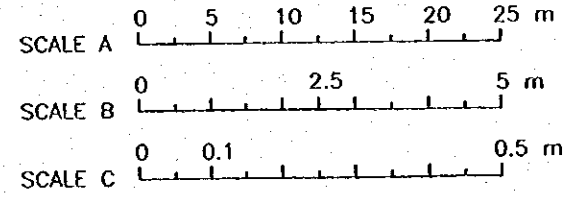
PROFILE 5
SCALE A



FL 40W/TKO LAMP
NTS



SECTION A
SCALE B



NOTE :

	FL 40W / TKO (HUMIDITY LAMP)
	CABLETRAY SUPPORT Ø 200 cm
	SINGLE SWITCH
	CHANGE SWITCH
	KOPLER 1#
	GALLERY DISTRIBUTION PANEL

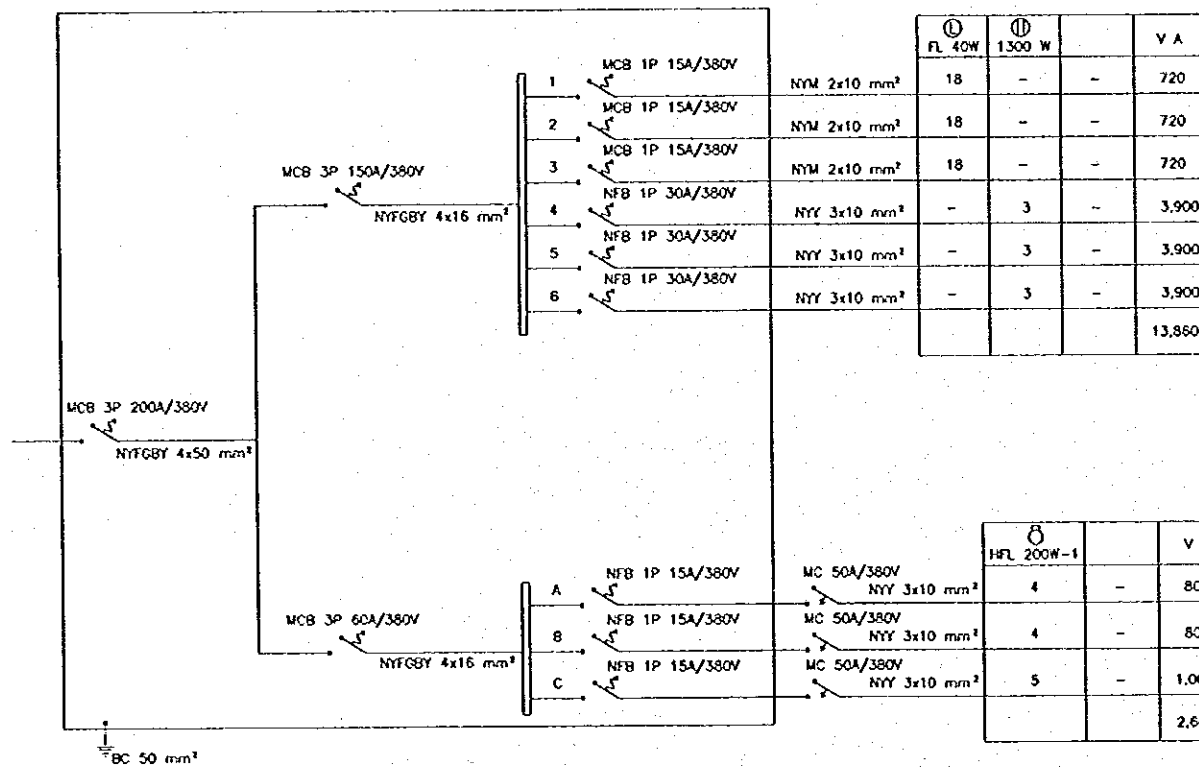
- NOTES**
1. ALL DIMENSIONS ARE IN MILLIMETERS, UNLESS OTHERWISE NOTED.
 2. PROFILES ARE REFERRED FROM DRAWING NO. JD-P1- ED-EI-3.

REFERENCE DRAWINGS
JD-P1-ED-EI-3 ELECTRICAL WORKS - GALLERY LIGHTING KEY PLAN

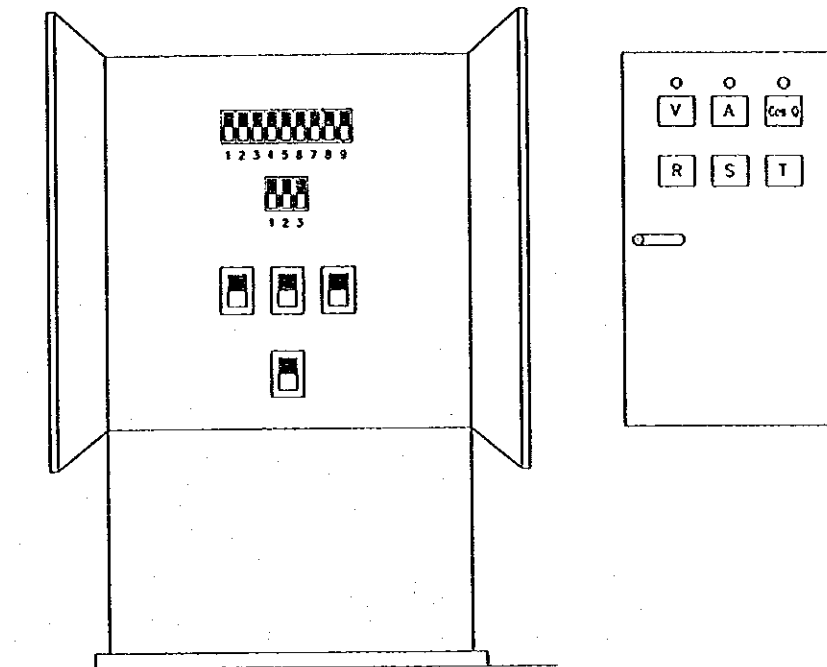
NO.	DATE	REVISIONS	ORIGINATED	DESIGNED	APPROVED

THE REPUBLIC OF INDONESIA MINISTRY OF PUBLIC WORKS DIRECTORATE GENERAL OF WATER RESOURCES DEVELOPMENT AND DIRECTORATE GENERAL OF HUMAN SETTLEMENT		PROVINCE CENTRAL JAVA
JATUNGSELUNGA FLOOD CONTROL PROJECT EMBANKMENT DAM ELECTRICAL WORKS GALLERY LIGHTING DETAILS (2/2)		PROJECT NAME FLOOD CONTROL, URBAN DRAINAGE AND WATER RESOURCES DEVELOPMENT IN SEMARANG IN THE REPUBLIC OF INDONESIA DISTRICT SEMARANG CITY DRAWING NO. JD-P1-ED-EI-5 SHEET NO. 80
JAPAN INTERNATIONAL COOPERATION AGENCY CITY ENGINEERING CO., LTD. IN ASSOCIATION WITH PACIFIC CONSULTANTS INTERNATIONAL JAPAN INTERNATIONAL INC.	DESIGNED CHECKED CREEP OF PLANNING AND DESIGN PROJECT MANAGER	DATE CONTRACT NO.

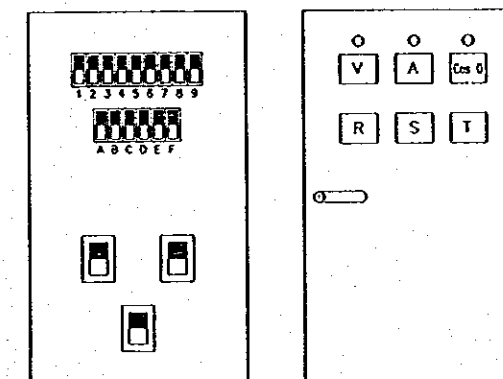
GALLERY DISTRIBUTION PANEL



ONE LINE ELECTRICAL DIAGRAM



MAIN DISTRIBUTION PANEL



GALLERY DISTRIBUTION PANEL

NOTES

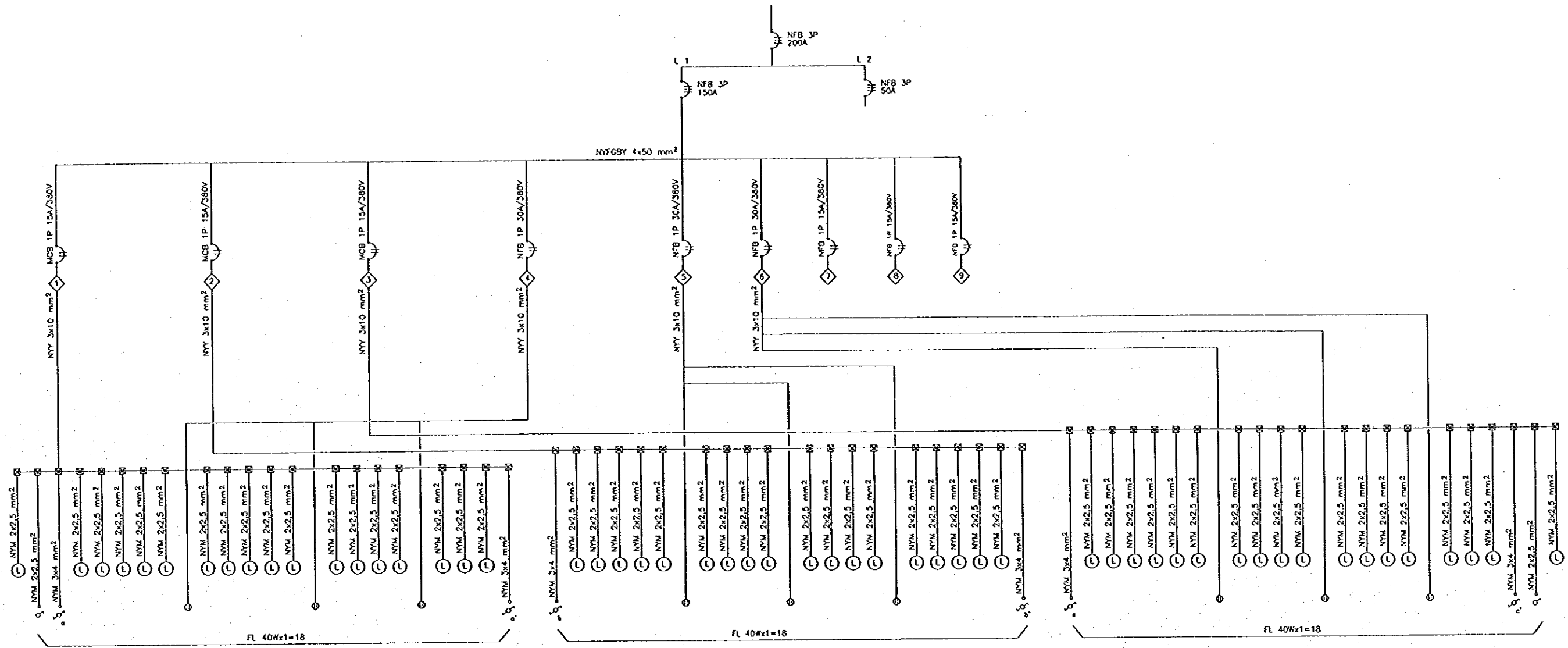
1. GALLERY AND GENERAL LIGHTING INSTALLATION ARE SHOWN IN DRAWING NO. JD-P1-ED-EI-7.

REFERENCE DRAWINGS

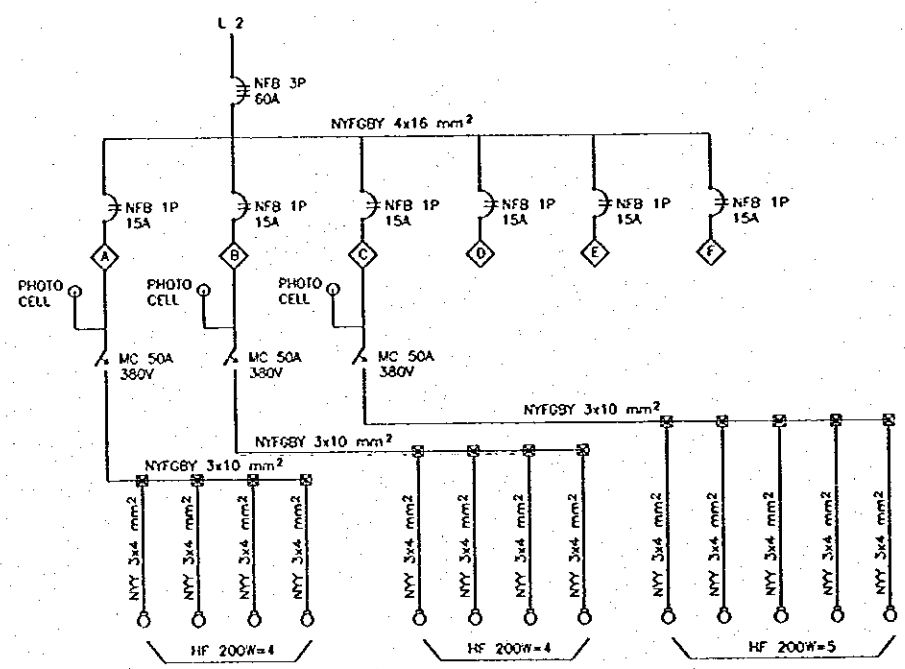
- JD-P1-ED-EI-1 ELECTRICAL WORKS - GENERAL LIGHTING PLAN AND DETAILS (1/2)
- JD-P1-ED-EI-3 ELECTRICAL WORKS - GALLERY LIGHTING KEY PLAN
- JD-P1-ED-EI-7 ELECTRICAL WORKS - GALLERY AND GENERAL LIGHTING INSTALLATION

NO.	DATE	REVISIONS	QUANTIFIED	DESIGNED	APPROVED

THE REPUBLIC OF INDONESIA MINISTRY OF PUBLIC WORKS DIRECTORATE GENERAL OF WATER RESOURCES DEVELOPMENT AND DIRECTORATE GENERAL OF HUMAN SETTLEMENT		PROVINCE CENTRAL JAVA
BATUNESILAH FLOOD CONTROL PROJECT COMPONENT: LATIBARANG DAM CONSTRUCTION EMBANKMENT DAM ELECTRICAL WORKS ONE LINE ELECTRICAL DIAGRAM AND DISRIBUTION PANEL		PROJECT NAME FLOOD CONTROL, URBAN DRAINAGE AND WATER PROGRESS DEVELOPMENT OF SEMARANG BY THE REPUBLIC OF INDONESIA
JAWAH INTERNATIONAL COOPERATION AGENCY CE ENGINEERING CO. LTD. IF APPROVED BY PACIFIC CONSULTANTS INTERNATIONAL PACIFIC INTERNATIONAL INC.		DISTRICT SEMARANG CITY
DESIGNED: [Signature] CHECKED: [Signature] CHIEF OF PLANNING AND DESIGN PROJECT MANAGER		DRAWING NO. JD-P1-ED-EI-8 SHEET NO. 81
APPROVED: [Signature]		DATE: [] CONTRACT NO. []



GALLERY LIGHTING INSTALLATION



GENERAL LIGHTING INSTALLATION

NOTE :

Ⓢ	KOPLER 1 #
Ⓞ	SINGLE SWITCH
Ⓜ	CHANGE SWITCH
Ⓛ	FL 40W / TKO (HUMIDITY LAMP)
Ⓚ	HFL PILAR 200 W
Ⓜ	MC 50 A
Ⓜ	JOINT BOX + TERMINAL
L	PHOTO CELL

NOTES

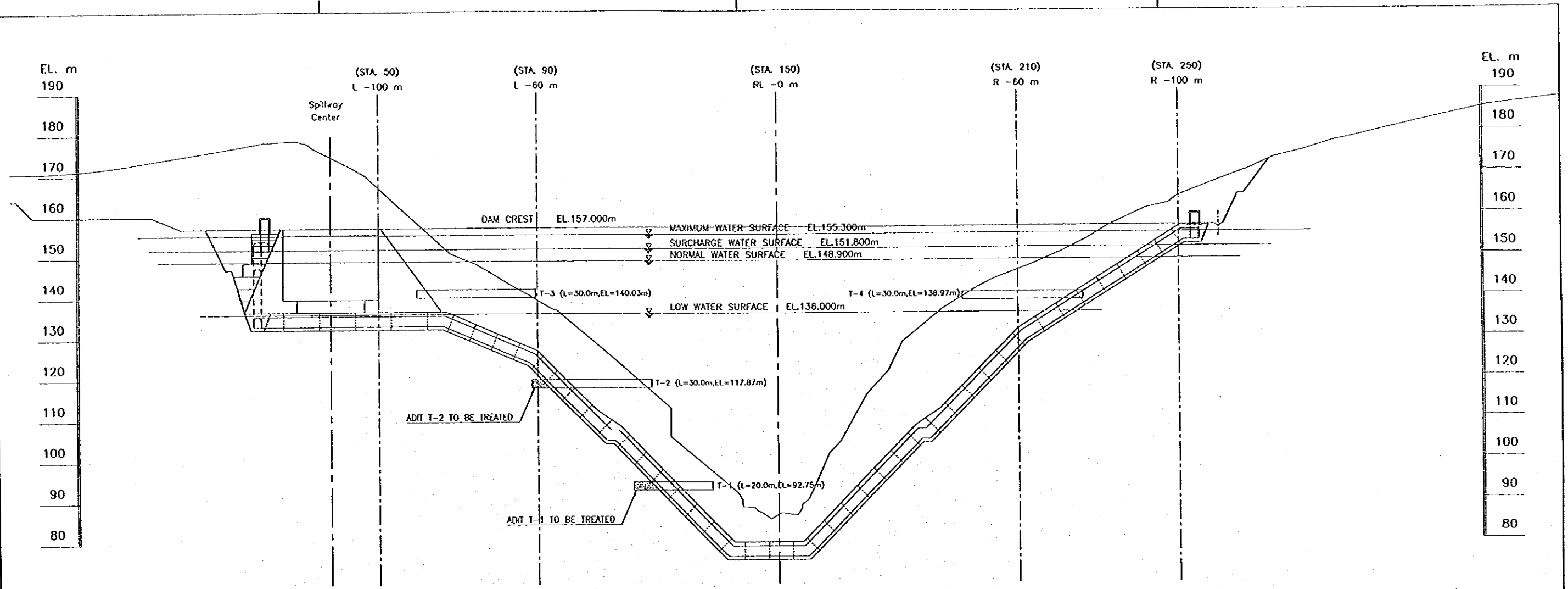
1. ONE LINE ELECTRICAL DIAGRAM IS SHOWN IN DRAWING NO. JD-P1-ED-EI-6.

REFERENCE DRAWINGS

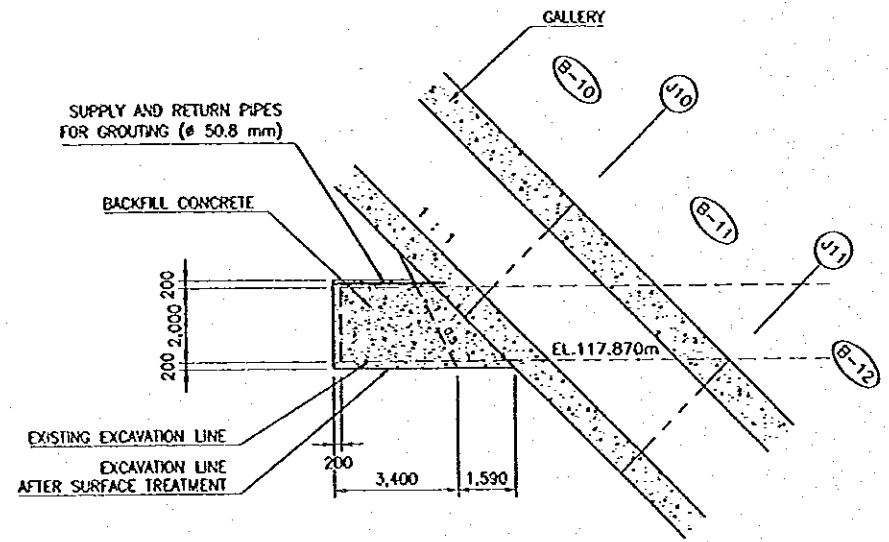
- JD-P1-ED-EI-1 ELECTRICAL WORKS - GENERAL LIGHTING PLAN AND DETAILS (1/2)
- JD-P1-ED-EI-3 ELECTRICAL WORKS - GALLERY LIGHTING KEY PLAN
- JD-P1-ED-EI-6 GALLERY AND GENERAL LIGHTING INSTALLATION

NO.	DATE	REVISIONS	ORIGINATOR	DESIGNER	APPROVED

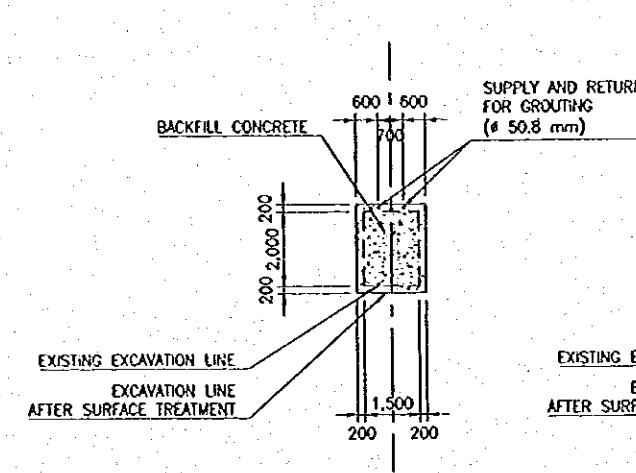
THE REPUBLIC OF INDONESIA MINISTRY OF PUBLIC WORKS DIRECTORATE GENERAL OF WATER RESOURCES DEVELOPMENT AND DIRECTORATE GENERAL OF HUMAN SETTLEMENT		PROVINCE CENTRAL JAVA
JATISSELUNA FLOOD CONTROL PROJECT COMPONENT : JATIBARANG DAM CONSTRUCTION EMBANKMENT WORKS ELECTRICAL WORKS GALLERY AND GENERAL LIGHTING INSTALLATION		PROJECT NAME FLOOD CONTROL, URBAN DEVELOPMENT AND WATER RESOURCES DEVELOPMENT IN SEMARANG IN THE REPUBLIC OF INDONESIA
DAAN INTERNATIONAL CONSULTING AGENCY CE ENGINEERING CO. LTD. IN ASSOCIATION WITH PACIFIC CONSULTANTS INTERNATIONAL PAKCO INTERNATIONAL INC.		CONTRACT NO.
DESIGNED CHECKED APPROVED	DATE	CONTRACT NO.



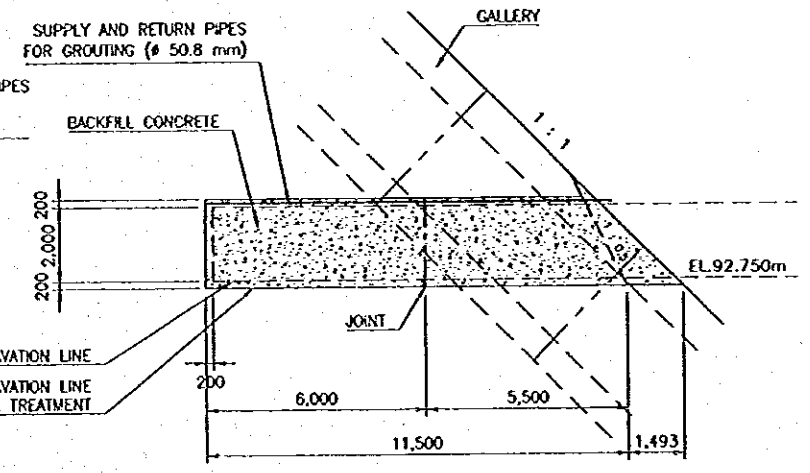
LOCATION OF ADITS TO BE TREATED



TREATMENT OF ADIT T-2



TYPICAL SECTION OF ADIT TREATMENT



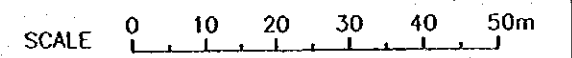
TREATMENT OF ADIT T-1

NOTES

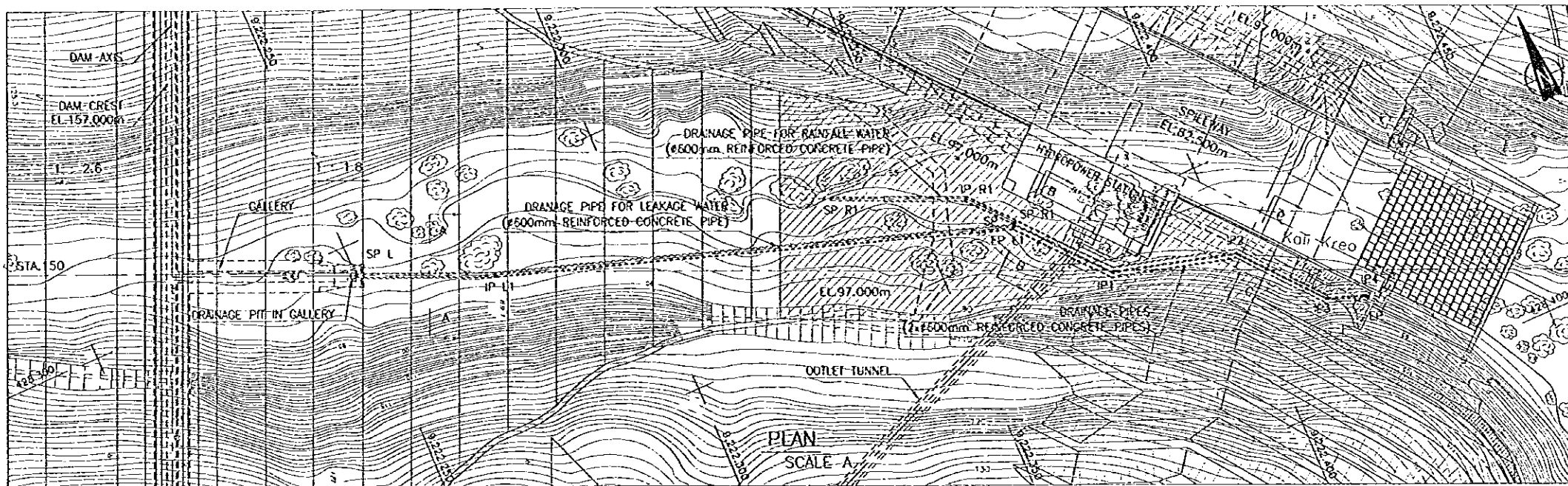
1. ALL DIMENSIONS ARE IN MILLIMETERS, UNLESS OTHERWISE NOTED.
2. BACKFILL CONCRETE SHALL BE OF TYPE D AS PER SPECIFICATION.
3. LOCATION OF THE EXISTING ADITS IS SHOWN IN DRAWING NO. JD-P1-GE-PI-2.
4. EXCAVATION PLAN FOR IMPERVIOUS AND SEMI-PERVIOUS ZONES IS SHOWN IN DRAWING NO. JD-P1-ED-Ge-4.

REFERENCE DRAWINGS

- JD-P1-GE-PI-2 GEOLOGICAL MAP AT DAMSITE
- JD-P1-ED-Ge-4 EMBANKMENT DAM - EXCAVATION PLAN

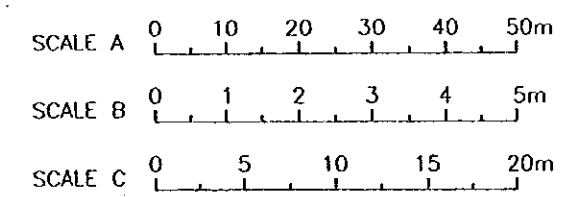
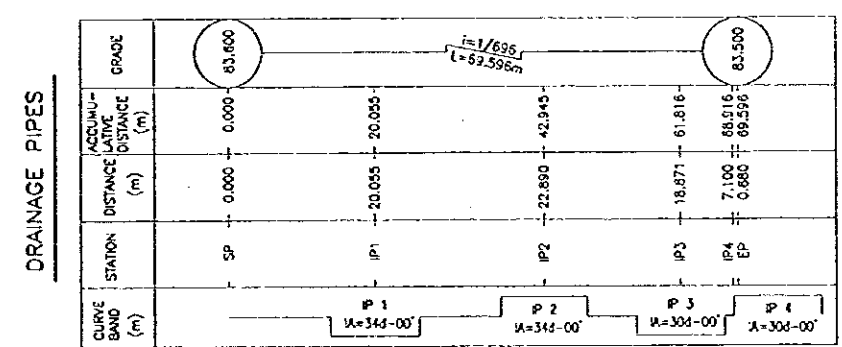
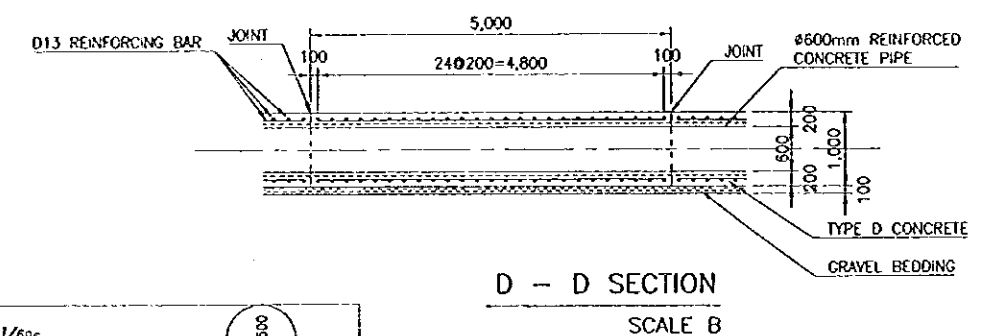
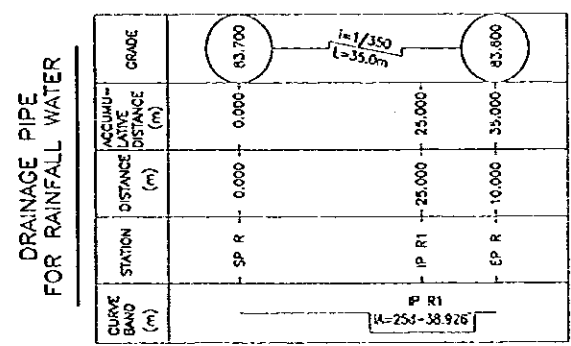
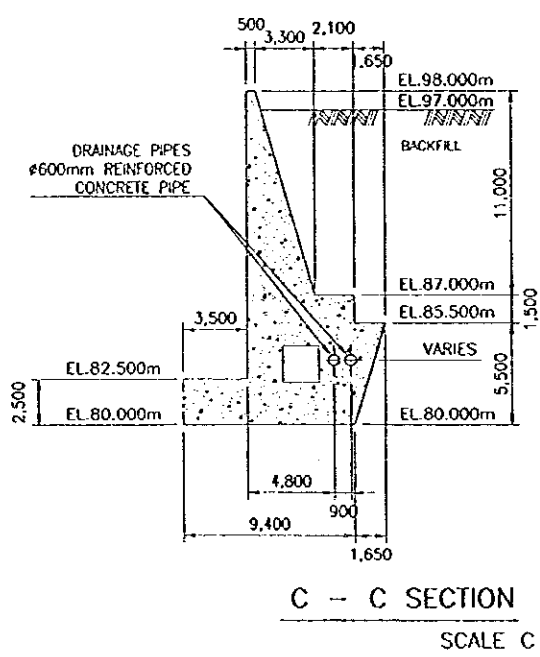
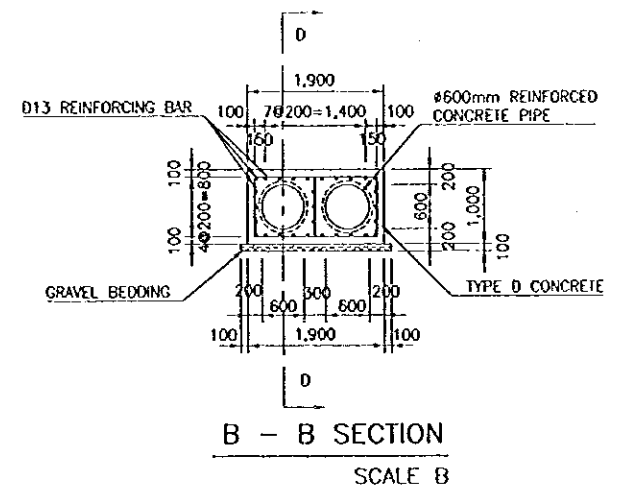
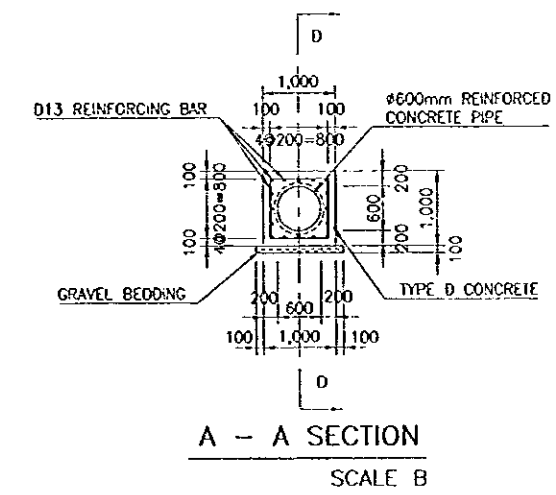
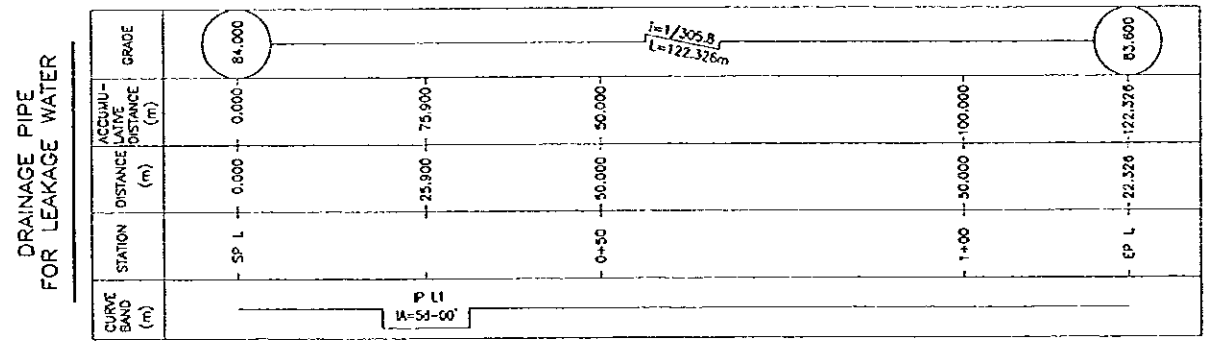


THE REPUBLIC OF INDONESIA MINISTRY OF PUBLIC WORKS DIRECTORATE GENERAL OF WATER RESOURCES DEVELOPMENT AND DIRECTORATE GENERAL OF HUMAN SETTLEMENT		PROVINCE CENTRAL JAVA				
TRATUNSELAMA FLOOD CONTROL PROJECT COMPONENT: JATIBARANG DAM CONSTRUCTION EMBANKMENT DAM TREATMENT OF EXISTING ADITS		PROJECT NAME FLOOD CONTROL, URBAN DRAINAGE AND WATER RESOURCES DEVELOPMENT IN SEMARANG IN THE REPUBLIC OF INDONESIA				
JAWA INTERNATIONAL COOPERATION AGENCY PT. ENGINEERING CO., LTD. IN ASSOCIATION WITH PACIFIC CONSULTANTS INTERNATIONAL JAWA INTERNATIONAL INC.		DESIGNED <i>[Signature]</i>	CHECKED <i>[Signature]</i>			
CHIEF OF PLANNING AND DESIGN PROJECT MANAGER		DATE / /	CONTRACT NO.			
NO.	DATE	REVISIONS	ORIGINATED	DESIGNED	APPROVED	APPROVED



LIST OF COORDINATES FOR DRAINAGE PIPES

POINT	COORDINATES	COORDINATES	
		X (m)	Y (m)
DRAINAGE PIPE FOR LEAKAGE WATER	START POINT (SP L)	428,305.720	9,222,250.010
	END POINT (EP L)	428,315.998	9,222,273.784
DRAINAGE PIPE FOR RAINFALL WATER	START POINT (SP R)	428,328.342	9,222,336.466
	END POINT (EP R)	428,345.812	9,222,365.970
DRAINAGE PIPES	START POINT (SP)	428,346.108	9,222,365.631
	IP1	428,361.250	9,222,378.780
	IP2	428,367.185	9,222,400.887
	END POINT (EP)	428,384.262	9,222,420.419



NOTES

- ALL DIMENSIONS ARE IN MILLIMETERS, UNLESS OTHERWISE NOTED.
- DETAILS OF GALLERY ARE SHOWN IN DRAWING NO. JD-P1-ED-Go-4.
- STRUCTURAL DETAILS OF SPILLWAY STILLING BASIN ARE SHOWN IN DRAWING NO. JD-P1-SP-St-5.

REFERENCE DRAWINGS

- JD-P1-ED-Go-4 GALLERY - STRUCTURAL DETAILS (3/4)
- JD-P1-SP-St-5 SPILLWAY - STILLING BASIN - STRUCTURAL DETAILS
- JD-P1-ED-Dr-2 EMBANKMENT DAM - DRAINAGE SYSTEM DETAILS (2/2)

NO.	DATE	REVISIONS	ORIGINATED	DESIGNED	APPROVED

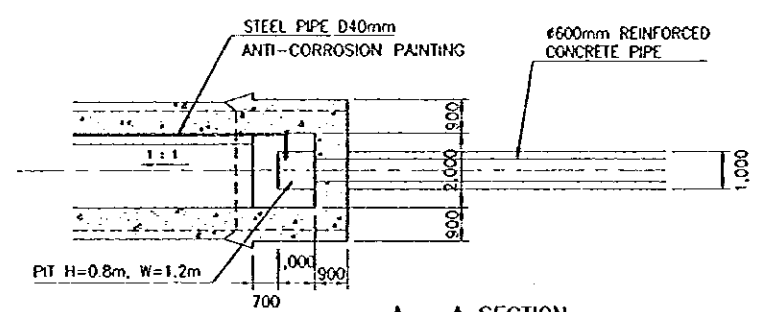
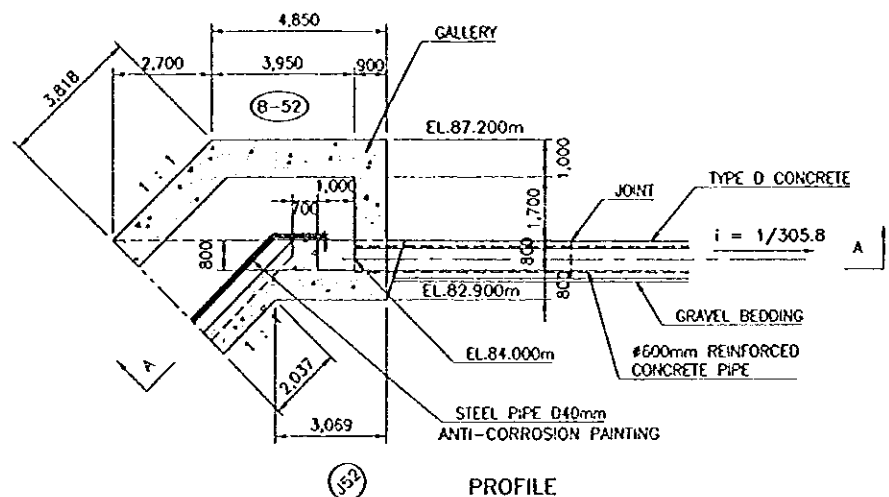
THE REPUBLIC OF INDONESIA
 MINISTRY OF PUBLIC WORKS
 DIRECTORATE GENERAL OF WATER RESOURCES DEVELOPMENT AND DIRECTORATE GENERAL OF HUMAN SETTLEMENT

JRATUNSELUNA FLOOD CONTROL PROJECT
 COMPONENT: JATIBARANG DAM CONSTRUCTION

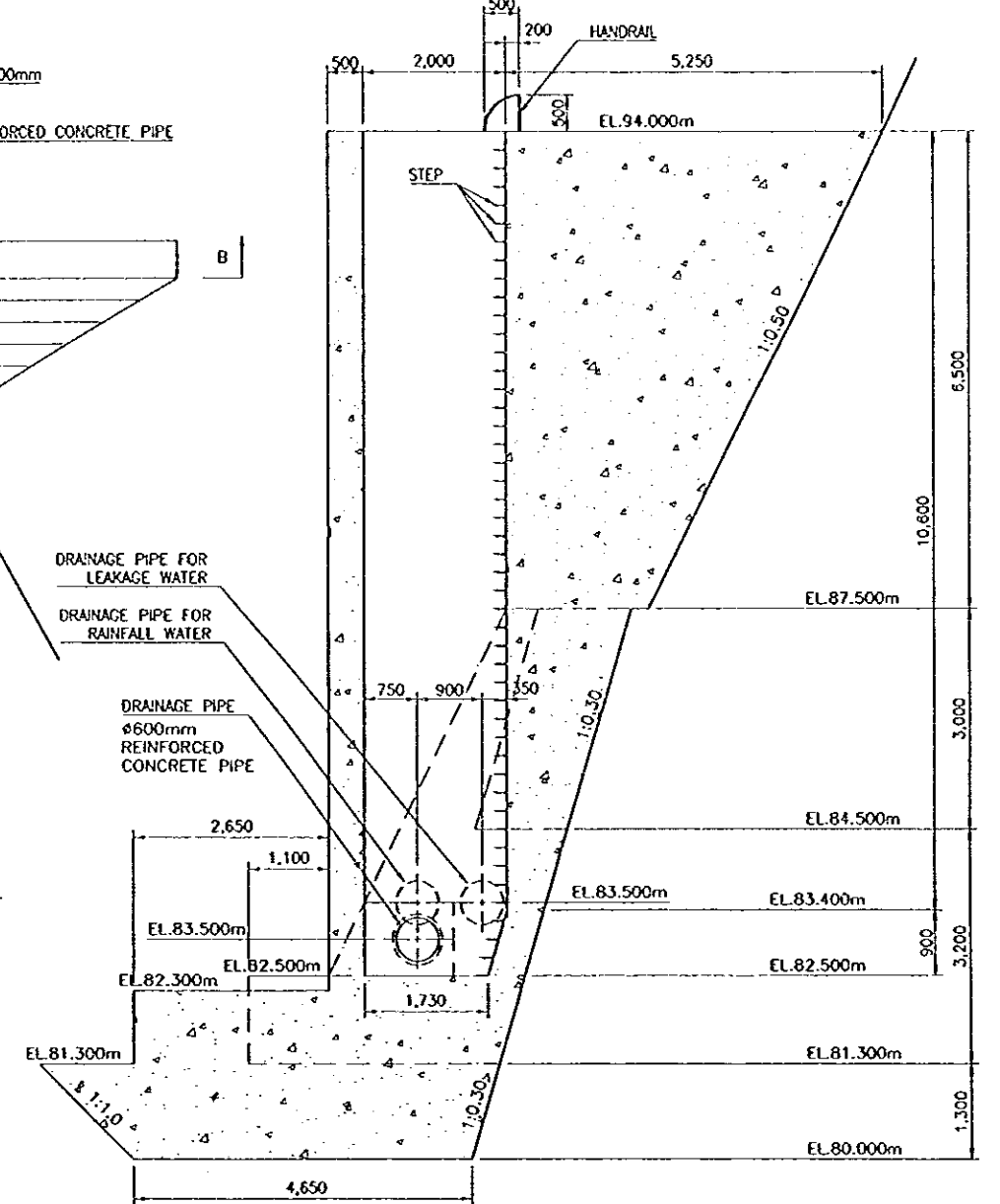
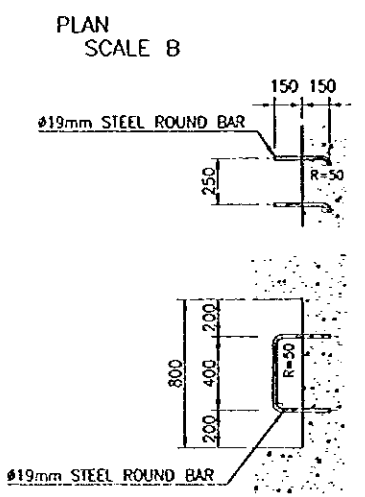
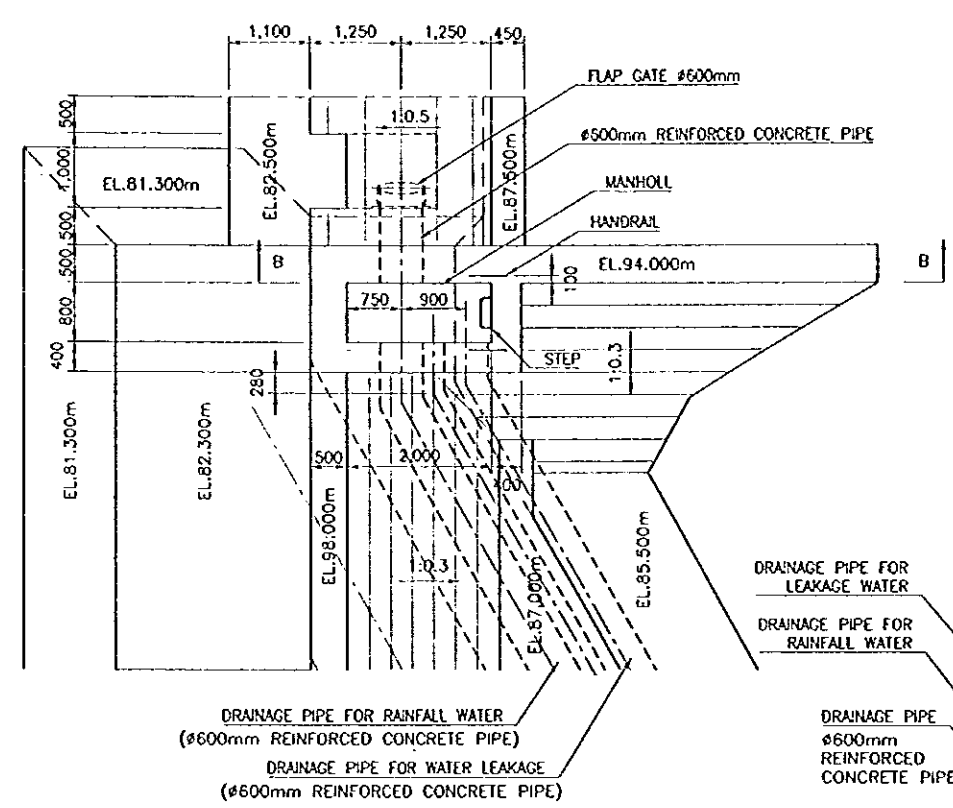
EMBAKMENT DAM
 DRAINAGE SYSTEM DETAILS (1/2)

DESIGNED: [Signature]
 CHECKED: [Signature]

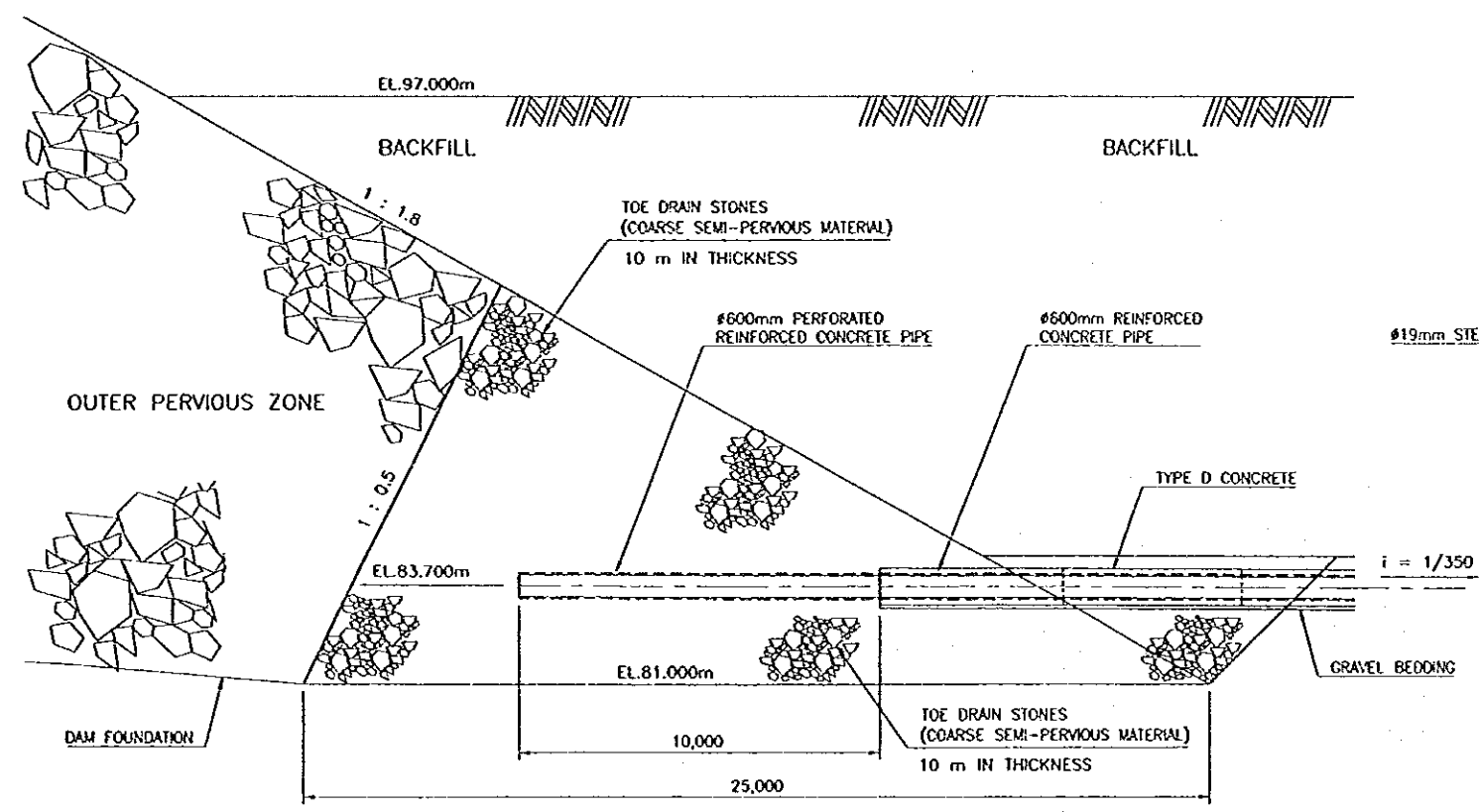
DATE: [] CONTRACT NO. []



DETAILS OF DRAINAGE PIT AND PIPE FOR LEAKAGE WATER
SCALE A



DETAILS OF OUTLET FOR DRAINAGE PIPES



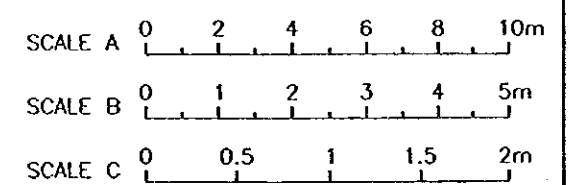
DETAILS OF INLET STRUCTURE FOR RAINFALL WATER DRAINAGE
SCALE A

NOTES

1. ALL DIMENSIONS ARE IN MILLIMETERS, UNLESS OTHERWISE NOTED.
2. DETAILS OF GALLERY ARE SHOWN IN DRAWING NO. JD-P1-ED-Co-4.
3. STRUCTURAL DETAILS OF SPILLWAY STILLING BASIN ARE SHOWN IN DRAWING NO. JD-P1-SP-ST-5.

REFERENCE DRAWINGS

- JD-P1-ED-Co-4 GALLERY - STRUCTURAL DETAILS (3/4)
- JD-P1-SP-ST-5 SPILLWAY - STILLING BASIN - STRUCTURAL DETAILS
- JD-P1-ED-Dr-2 EMBANKMENT DAM - DRAINAGE SYSTEM DETAILS (2/2)



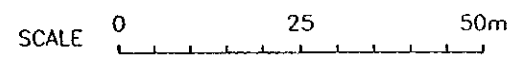
NO.	DATE	REVISIONS	ORIGINATED	DESIGNED	APPROVED

THE REPUBLIC OF INDONESIA MINISTRY OF PUBLIC WORKS DIRECTORATE GENERAL OF WATER RESOURCES DEVELOPMENT AND DIRECTORATE GENERAL OF HUMAN SETTLEMENT		PROJECT NAME FLOOD CONTROL, URBAN DRAINAGE AND WATER RESOURCES DEVELOPMENT IN SOERABAYA IN THE REPUBLIC OF INDONESIA
PROJECT LOCATION JATIBARANG DAM CONSTRUCTION EMBANKMENT DAM DRAINAGE SYSTEM DETAILS (2/2)		DISTRICT SEMARANG CITY
DRAWING NO. JD-P1-ED-Dr-2 SHEET NO. 82-4		DATE CONTRACT NO.
(A) OF INTERNATIONAL COOPERATION AGENCY CIB ENGINEERING CO. LTD. IN ASSOCIATION WITH PACIFIC CONSULTANTS INTERNATIONAL PAKO INTERNATIONAL INC.	DESIGNED CHECKED CHIEF OF PLANNING AND DESIGN PROJECT MANAGER	DATE CONTRACT NO.



LIST OF COORDINATES FOR SPILLWAY

STA.	COORDINATES	
	X (m)	Y (m)
STA.S0	428,161.041	9,222,198.853
STA.S70 (DAM AXIS)	428,188.819	9,222,263.105
STA.S80	428,192.787	9,222,272.284
STA.S315	428,370.220	9,222,426.370
STA.S323	428,376.261	9,222,431.615

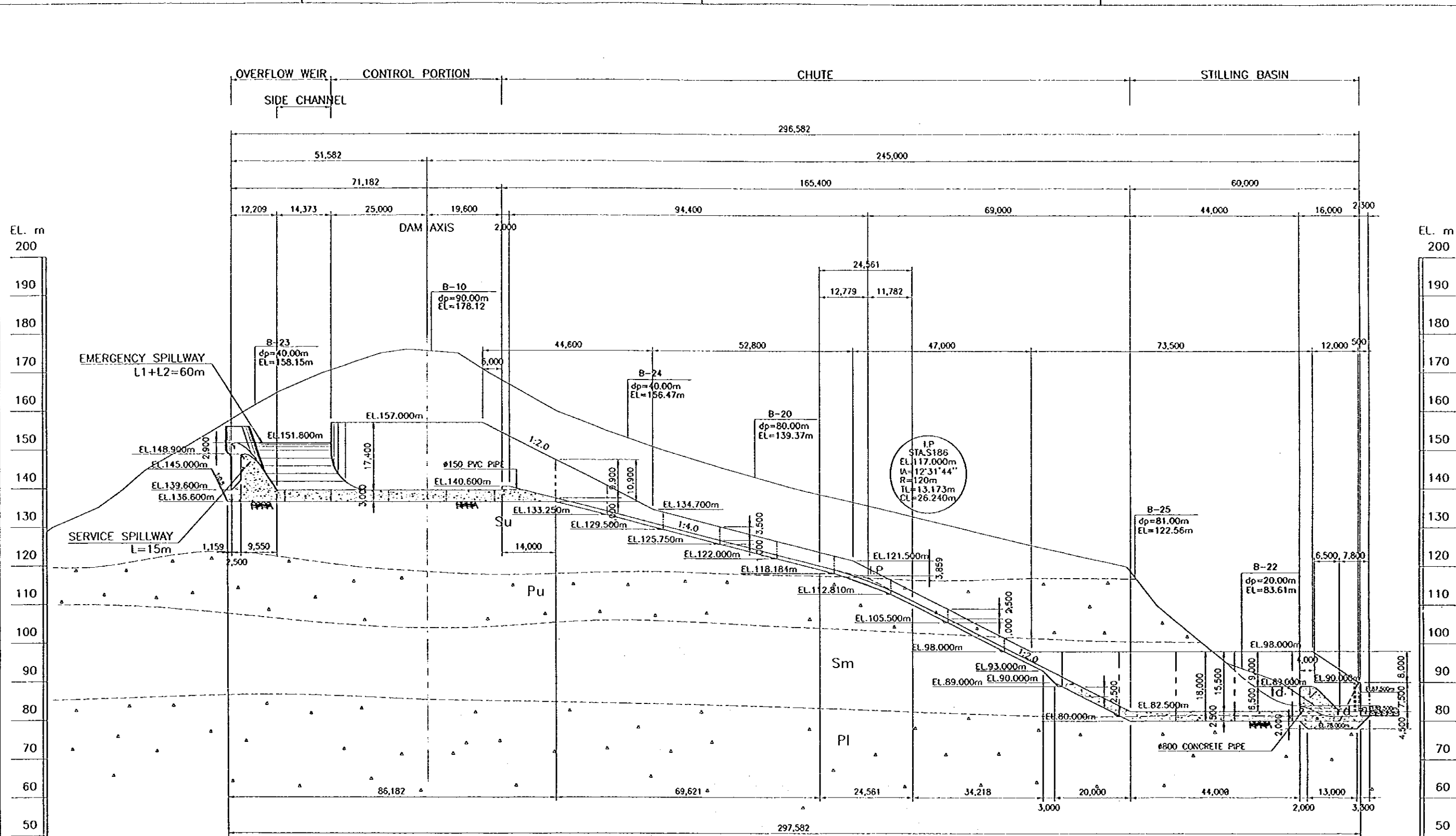


NOTE

ALL DIMENSIONS ARE IN MILLIMETERS UNLESS OTHERWISE NOTED.

NO.	DATE	REVISIONS	ORIGINATED	DESIGNED	APPROVED	APPROVED

	THE REPUBLIC OF INDONESIA MINISTRY OF PUBLIC WORKS DIRECTORATE GENERAL OF WATER RESOURCES DEVELOPMENT AND DIRECTORATE GENERAL OF HUMAN SETTLEMENT		PROJECT NAME FLOOD CONTROL, URBAN DRAINAGE AND WATER RESOURCES DEVELOPMENT IN SEMARANG IN THE REPUBLIC OF INDONESIA	
	PROJECT LOCATION JATIBARANG FLOOD CONTROL PROJECT COMPONENT : JATIBARANG DAM CONSTRUCTION		DISTRICT SEMARANG CITY	
	DRAWING NO. JO-PI-SP-Ce-1 SHEET NO. 83		DATE CONTRACT NO.	
	JAPAN INTERNATIONAL COOPERATION AGENCY CITY ENGINEERING CO., LTD. IN JAPAN FOR THE PACIFIC CONSTRUCTION INTERNATIONAL JAPAN INTERNATIONAL INC.		DESIGNED CHECKED CHIEF OF PLANNING AND DESIGN PROJECT MANAGER	

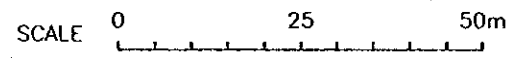


GEOLOGICAL STRATA

Age	Symbol	Formation and Strata Name
Quaternary	rd	Riverbed deposit
	td	Talus deposit
Tertiary-Quaternary	Su	Upper Sedimentary Rock Unit
	Pu	Upper Pyroclastic Rock Unit
	Sm	Middle Sedimentary Rock Unit
	Pl	Lower Pyroclastic Rock Unit
	Sl	Lower Sedimentary Rock Unit

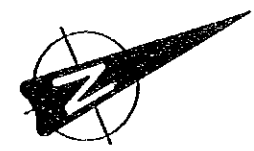
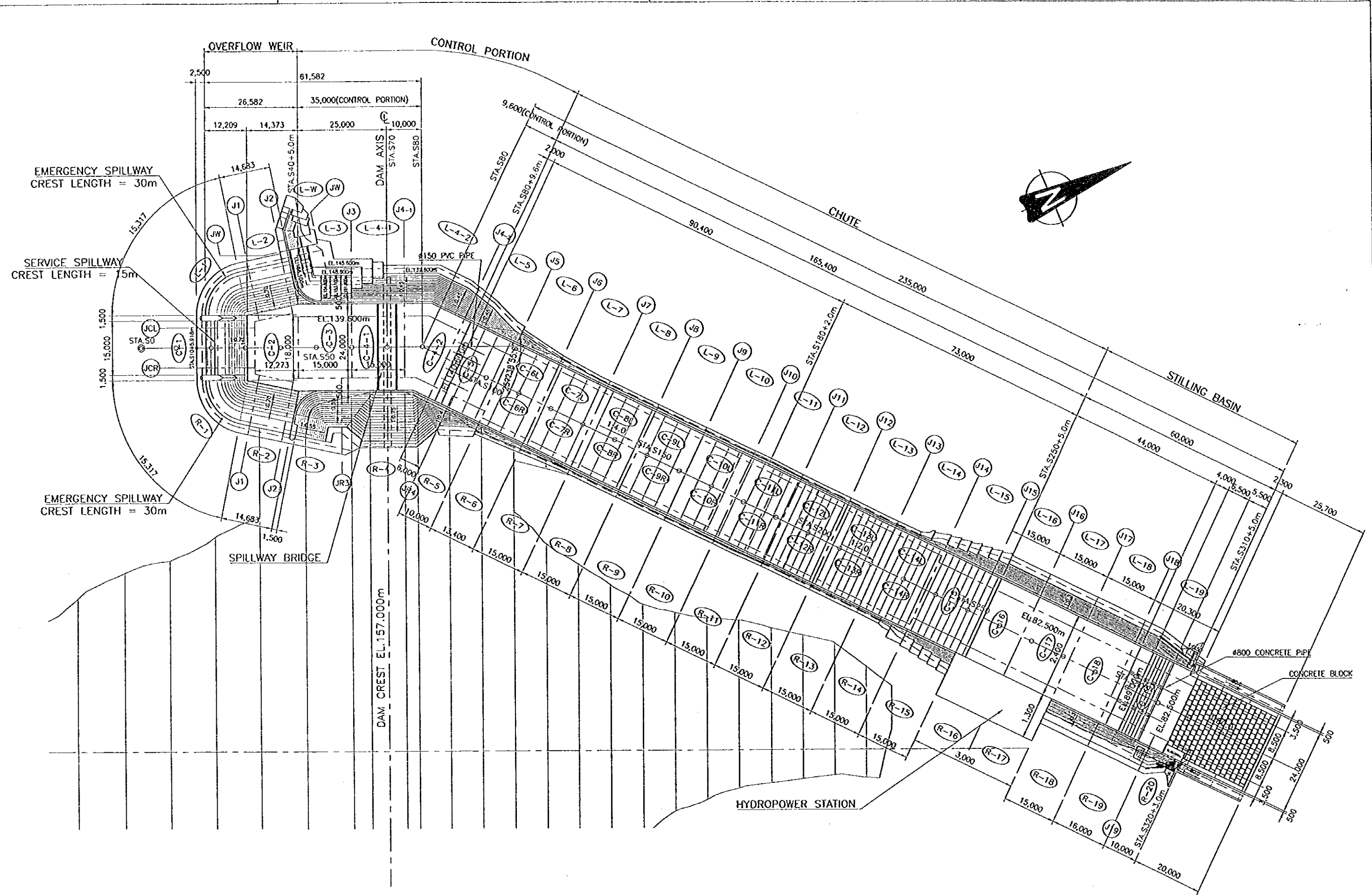
NOTE
 ALL DIMENSIONS ARE IN MILLIMETERS UNLESS OTHERWISE NOTED.
REFERENCE DRAWINGS
 JD-P1-GE-Pr-1 GEOLOGICAL PROFILE ALONG DAM AXIS

REMARKS.
 B- : NO. OF BORING
 dp : DEPTH OF BORING
 EL : ELEVATION OF GROUND SURFACE



THE REPUBLIC OF INDONESIA MINISTRY OF PUBLIC WORKS DIRECTORATE GENERAL OF WATER RESOURCES DEVELOPMENT AND DIRECTORATE GENERAL OF HUMAN SETTLEMENT		PROVINCE CENTRAL JAVA
JRATUNSEUNA FLOOD CONTROL PROJECT COMPONENT : JATIBARANG DAM CONSTRUCTION		PROJECT NAME FLOOD CONTROL, TRUNK DRAINAGE AND WATER RESOURCES DEVELOPMENT IN SEMARANG IN THE REPUBLIC OF INDONESIA
SPILLWAY PROFILE ALONG CENTER LINE OF SPILLWAY		DISTRICT SEMARANG CITY
JAPAN INTERNATIONAL COOPERATION AGENCY CITY ENGINEERING CO. LTD. IN ASSOCIATION WITH PACIFIC CONCRETE ENTERPRISES INTERNATIONAL JAPAN INTERNATIONAL ENGINEERING CONSULTANTS		DRAWING NO. JD-P1-SP-Ce-2 SHEET NO. 84
DESIGNED CHECKED APPROVED	DATE CONTRACT NO.	DATE CONTRACT NO.

NO.	DATE	REVISIONS	ORIGINATED	DESIGNED	APPROVED



SCALE 0 25 50m

NOTE
ALL DIMENSIONS ARE IN MILLIMETERS UNLESS OTHERWISE NOTED.

NO.	DATE	REVISIONS	ORIGINATED	DESIGNED	APPROVED

THE REPUBLIC OF INDONESIA MINISTRY OF PUBLIC WORKS DIRECTORATE GENERAL OF WATER RESOURCES DEVELOPMENT AND DIRECTORATE GENERAL OF HUMAN SETTLEMENT		PROVIDER CENTRAL JAVA
PRATUNSELUKA FLOOD CONTROL PROJECT COMPONENT: JATIBARANG DAM CONSTRUCTION SPILLWAY STRUCTURAL PLAN		PROJECT NAME FLOOD CONTROL, URBAN DRAINAGE AND WATER RESOURCES DEVELOPMENT OF SEMARANG IN THE REPUBLIC OF INDONESIA DISTRICT SEMARANG CITY
INJAN INTERNATIONAL COOPERATION AGENCY CIL ENGINEERING CO. LTD. IN ASSOCIATION WITH PACIFIC CONSULTANTS INTERNATIONAL JABOD INTERNAIONAL INC.		DRAWING NO. JD-P1-SP-Ce-3 SHEET NO. 85 DATE CONTRACT NO.
DESIGNED CHECKED APPROVED CHIEF OF PLANNING AND DESIGN PROJECT MANAGER	[Signature]	[Signature]