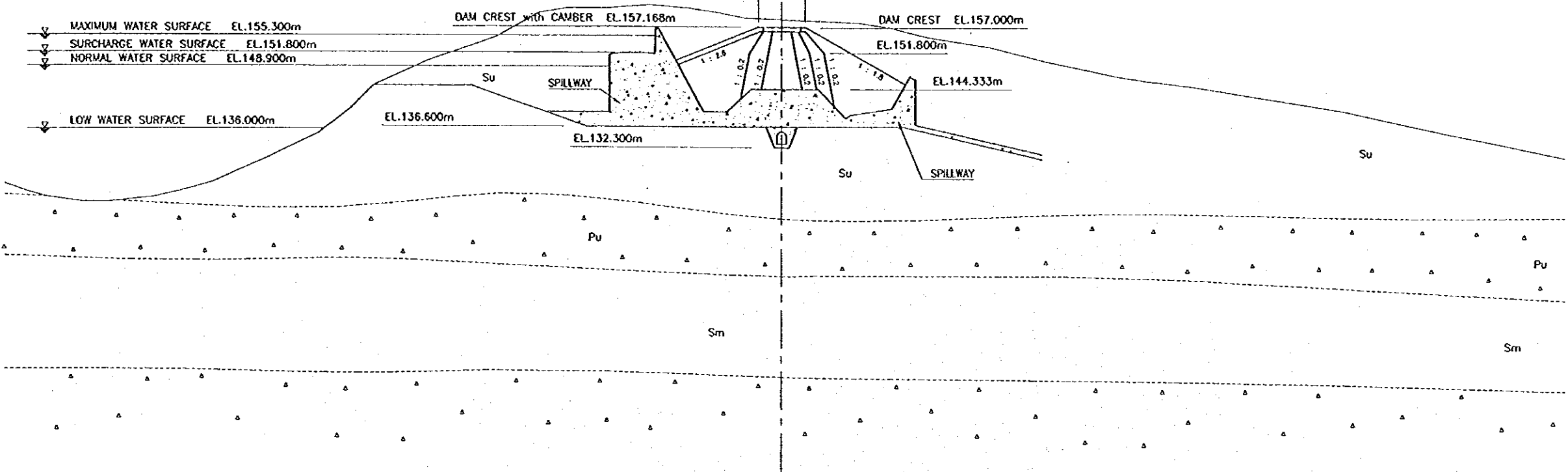


EL. m
160
150
140
130
120
110
100
90
80

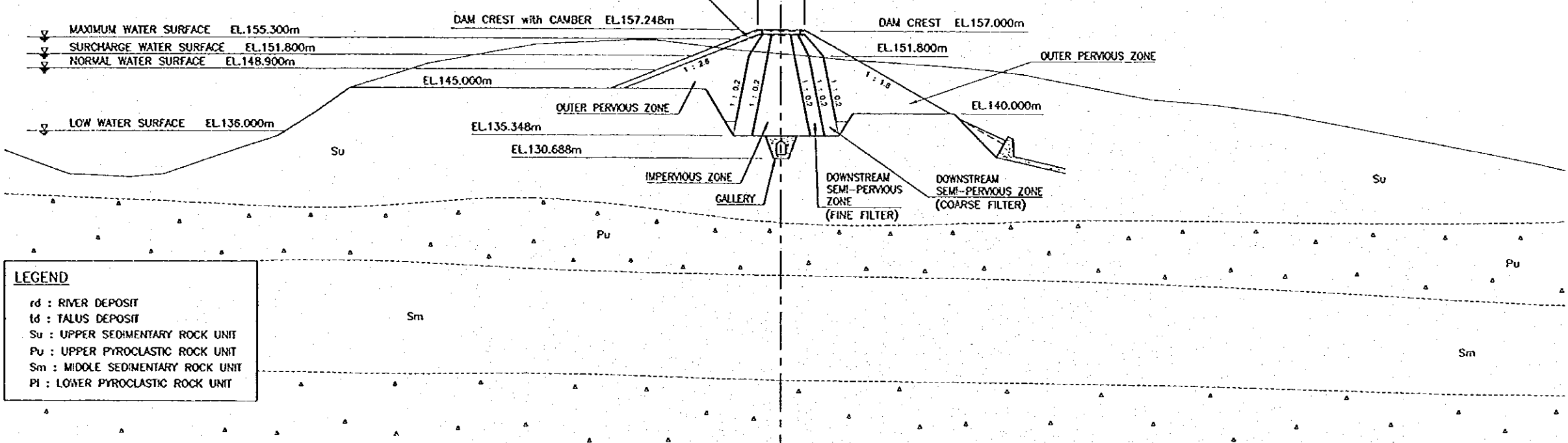
STA. 60



EL. m
160
150
140
130
120
110
100
90
80

EL. m
160
150
140
130
120
110
100
90
80

STA. 70



EL. m
160
150
140
130
120
110
100
90
80

LEGEND
 rd : RIVER DEPOSIT
 td : TALUS DEPOSIT
 Su : UPPER SEDIMENTARY ROCK UNIT
 Pu : UPPER PYROCLASTIC ROCK UNIT
 Sm : MIDDLE SEDIMENTARY ROCK UNIT
 Pi : LOWER PYROCLASTIC ROCK UNIT

NOTES
 1. STA. NO. IS REFERRED FROM DRAWING NO. JD-P1-ED-Ge-1.
 2. THE GEOLOGICAL INFORMATION IS ONLY FOR REFERENCE.

REFERENCE DRAWINGS
 JD-P1-ED-Ge-1 EMBANKMENT DAM - LAYOUT PLAN
 JD-P1-ED-Ge-2 EMBANKMENT DAM - PROFILE ALONG DAM AXIS
 JD-P1-ED-Ge-3 EMBANKMENT DAM - TYPICAL CROSS SECTION

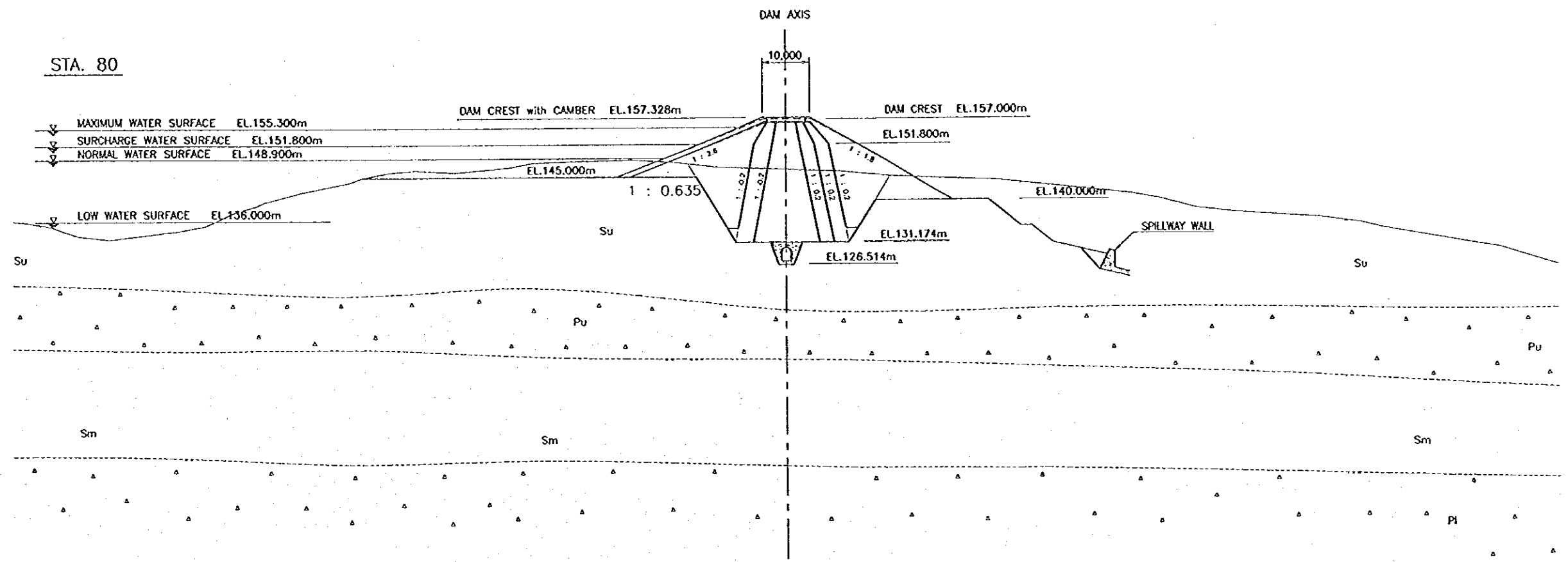
SCALE 0 10 20 30 40 50m

NO.	DATE	REVISIONS	ORIGINALED	DESIGNED	APPROVED

THE REPUBLIC OF INDONESIA MINISTRY OF PUBLIC WORKS DIRECTORATE GENERAL OF WATER RESOURCES DEVELOPMENT AND DIRECTORATE GENERAL OF HUMAN SETTLEMENT		PROVINCE CENTRAL JAVA
JATUNSELUNA FLOOD CONTROL PROJECT COMPONENT : JATIBARANG DAM CONSTRUCTION		PROJECT NAME FLOOD CONTROL, DAM, DRAINAGE AND WATER RESOURCES DEVELOPMENT IN SEMARANG IN THE REPUBLIC OF INDONESIA
EMBANKMENT DAM CROSS SECTION (1/10)		PRODUCT SEMARANG CITY
JAPAN INTERNATIONAL COOPERATION AGENCY OCEANORISING CO., LTD. PACIFIC CONSULTANTS INTERNATIONAL JACOBS INTERNATIONAL INC.		DRAWING NO. JD-P1-ED-Cr-1 SHEET NO. 31
CHIEF OF PLANNING AND DESIGN	PROJECT MANAGER	DATE CONTRACT NO.

EL. m
160
150
140
130
120
110
100
90
80

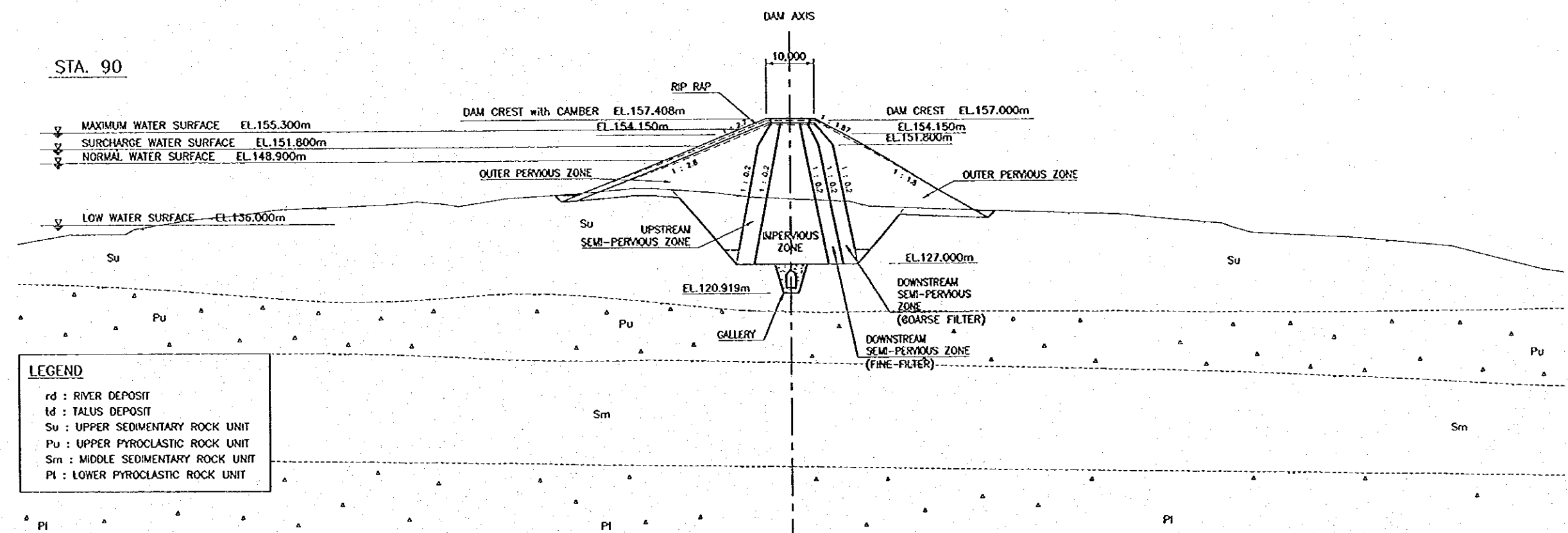
STA. 80



EL. m
160
150
140
130
120
110
100
90
80

EL. m
160
150
140
130
120
110
100
90
80

STA. 90



EL. m
160
150
140
130
120
110
100
90
80

LEGEND
 rd : RIVER DEPOSIT
 td : TALUS DEPOSIT
 Su : UPPER SEDIMENTARY ROCK UNIT
 Pu : UPPER PYROCLASTIC ROCK UNIT
 Sm : MIDDLE SEDIMENTARY ROCK UNIT
 Pi : LOWER PYROCLASTIC ROCK UNIT

NOTES

1. STA. NO. IS REFERRED FROM DRAWING NO. JD-P1-ED-Ce-1.
2. THE GEOLOGICAL INFORMATION IS ONLY FOR REFERENCE.

REFERENCE DRAWINGS

- JD-P1-ED-Ce-1 EMBANKMENT DAM - LAYOUT PLAN
- JD-P1-ED-Ce-2 EMBANKMENT DAM - PROFILE ALONG DAM AXIS
- JD-P1-ED-Ce-3 EMBANKMENT DAM - TYPICAL CROSS SECTION

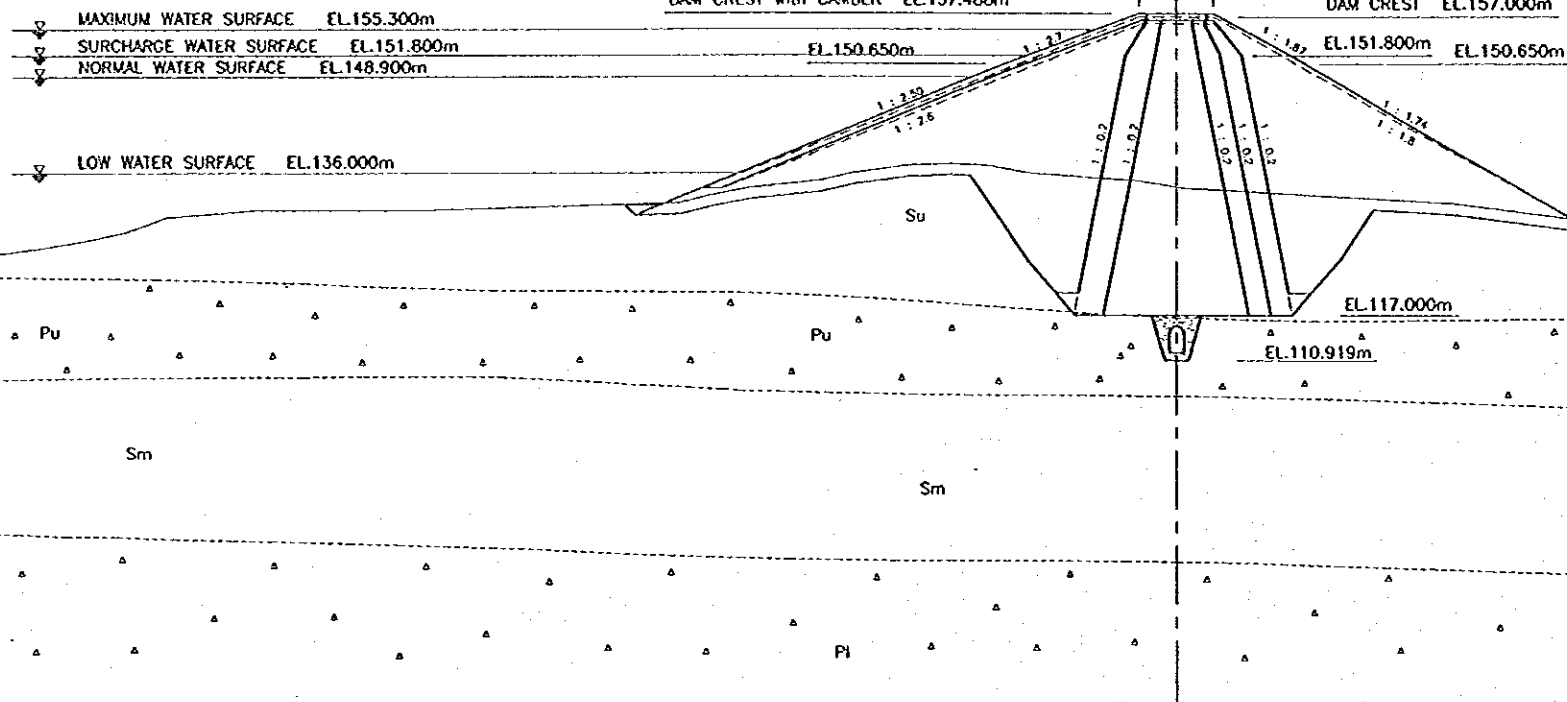
SCALE 0 10 20 30 40 50m

NO.	DATE	REVISIONS	ORIGINATOR	DESIGNER	APPROVER

THE REPUBLIC OF INDONESIA MINISTRY OF PUBLIC WORKS DIRECTORATE GENERAL OF WATER RESOURCES DEVELOPMENT AND DIRECTORATE GENERAL OF HUMAN SETTLEMENT		PROVINCE CENTRAL JAVA
PRATUNSELUNA FLOOD CONTROL PROJECT COMPONENT: JATIBARANG DAM CONSTRUCTION EMBANKMENT DAM CROSS SECTION (2/10)		PROJECT NAME FLOOD CONTROL, URBAN DRAINAGE AND WATER RESOURCES DEVELOPMENT BY EMBAKANO IN THE REPUBLIC OF INDONESIA
JAPAN INTERNATIONAL COOPERATION AGENCY OTE ENGINEERING CO., LTD. (ASSOCIATE) PACIFIC CONSULTANTS INTERNATIONAL PACIFIC INTERNATIONAL, INC.		CONTRACT SEMARANG CITY DRAWING NO. JD-P1-ED-Cr-2 SHEET NO. 32
APPROVED CHIEF OF PLANNING AND DESIGN PROJECT MANAGER	CHECKED DATE	CONTRACT NO.

EL. m
160
150
140
130
120
110
100
90
80

STA. 100

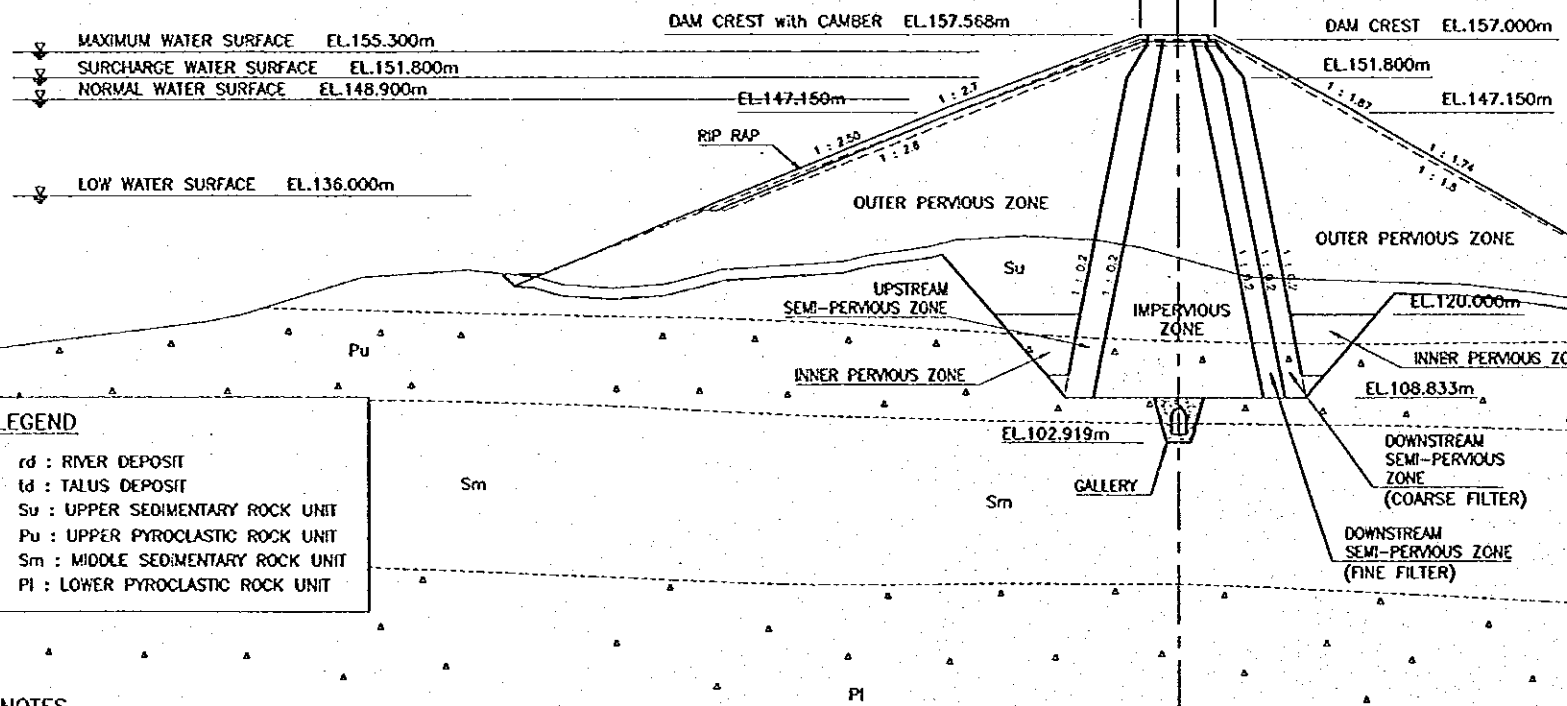


EL. m
160
150
140
130
120
110
100
90
80

SI

EL. m
160
150
140
130
120
110
100
90
80

STA. 110



EL. m
160
150
140
130
120
110
100
90
80

LEGEND	
rd	: RIVER DEPOSIT
td	: TALUS DEPOSIT
Su	: UPPER SEDIMENTARY ROCK UNIT
Pu	: UPPER PYROCLASTIC ROCK UNIT
Sm	: MIDDLE SEDIMENTARY ROCK UNIT
Pi	: LOWER PYROCLASTIC ROCK UNIT

NOTES

1. STA. NO. IS REFERRED FROM DRAWING NO. JD-P1-ED-Ge-1.
2. THE GEOLOGICAL INFORMATION IS ONLY FOR REFERENCE.

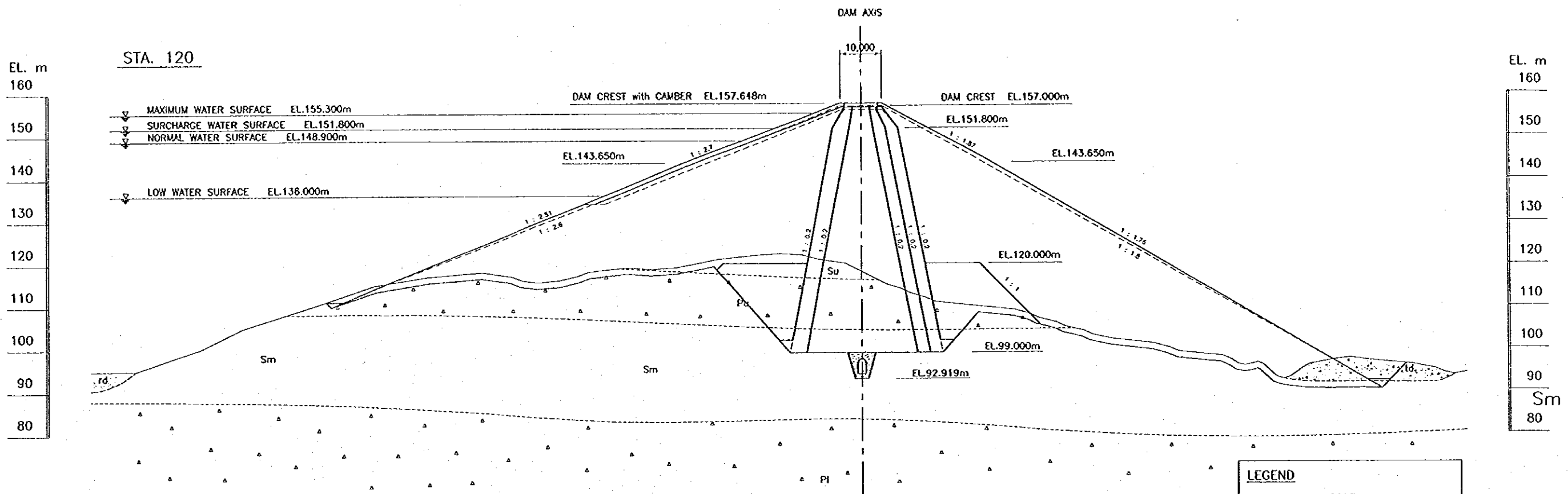
REFERENCE DRAWINGS

- JD-P1-ED-Ge-1 EMBANKMENT DAM - LAYOUT PLAN
- JD-P1-ED-Ge-2 EMBANKMENT DAM - PROFILE ALONG DAM AXIS
- JD-P1-ED-Ge-3 EMBANKMENT DAM - TYPICAL CROSS SECTION

SCALE 0 10 20 30 40 50m

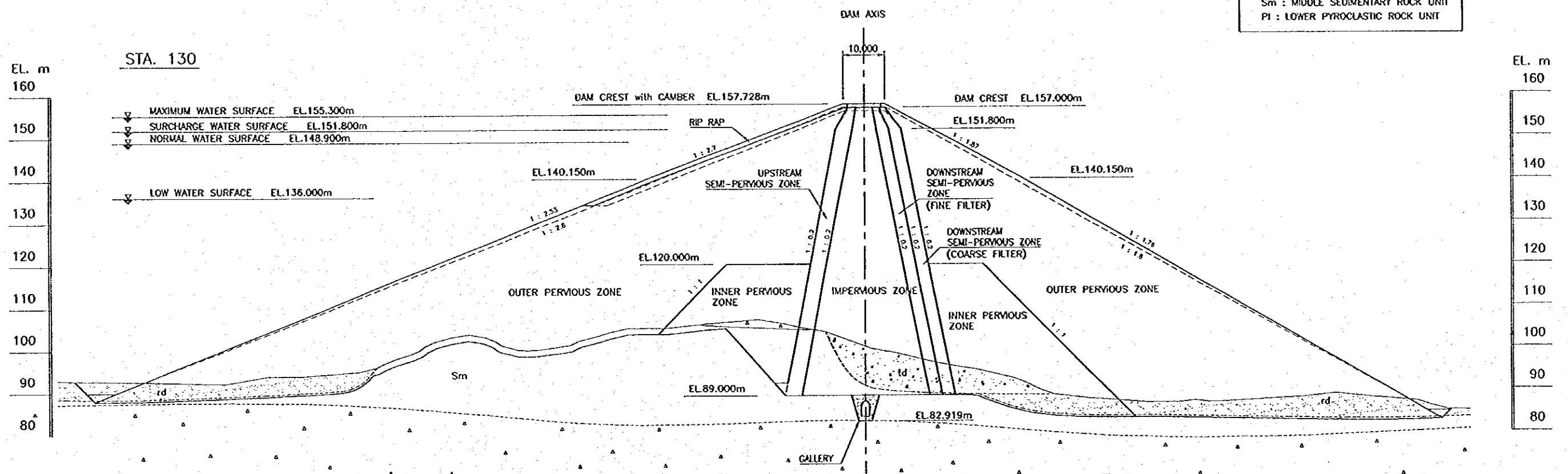
NO.	DATE	REVISIONS	ORIGINATED	DESIGNED	APPROVED

THE REPUBLIC OF INDONESIA MINISTRY OF PUBLIC WORKS DIRECTORATE GENERAL OF WATER RESOURCES DEVELOPMENT AND DIRECTORATE GENERAL OF HUMAN SETTLEMENT		PROVINCE CENTRAL JAVA
IRATUNSELINA FLOOD CONTROL PROJECT COMPONENT: JATIBARANG DAM CONSTRUCTION EMBANKMENT DAM CROSS SECTION (3/10)		PROJECT NAME FLOOD CONTROL, URUGI DRAINAGE AND WATER RESOURCES DEVELOPMENT IN SEMARANG, IN THE PROVINCE OF INDONESIA
JAPAN INTERNATIONAL COOPERATION AGENCY CBS ENGINEERING CO., LTD. (JAPAN) AND THE PACIFIC CONSULTANTS INTERNATIONAL PAKCO INTERNATIONAL INC.		DISTRICT SEMARANG CITY
DESIGNED CHECKED APPROVED		DRAWING NO. JD-P1-ED-CY-3 SUBSET NO. 33
CHIEF OF PLANNING AND DESIGN PROJECT MANAGER		DATE CONTRACT NO.



LEGEND

rd : RIVER DEPOSIT
 td : TALUS DEPOSIT
 Su : UPPER SEDIMENTARY ROCK UNIT
 Pu : UPPER PYROCLASTIC ROCK UNIT
 Sm : MIDDLE SEDIMENTARY ROCK UNIT
 PI : LOWER PYROCLASTIC ROCK UNIT

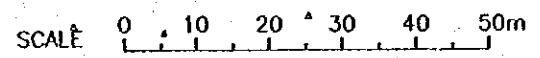


NOTES

1. STA. NO. IS REFERRED FROM DRAWING NO. JD-P1-ED-Ce-1.
 2. THE GEOLOGICAL INFORMATION IS ONLY FOR REFERENCE.

REFERENCE DRAWINGS

JD-P1-ED-Ce-1 EMBANKMENT DAM - LAYOUT PLAN
 JD-P1-ED-Ce-2 EMBANKMENT DAM - PROFILE ALONG DAM AXIS
 JD-P1-ED-Ce-3 EMBANKMENT DAM - TYPICAL CROSS SECTION

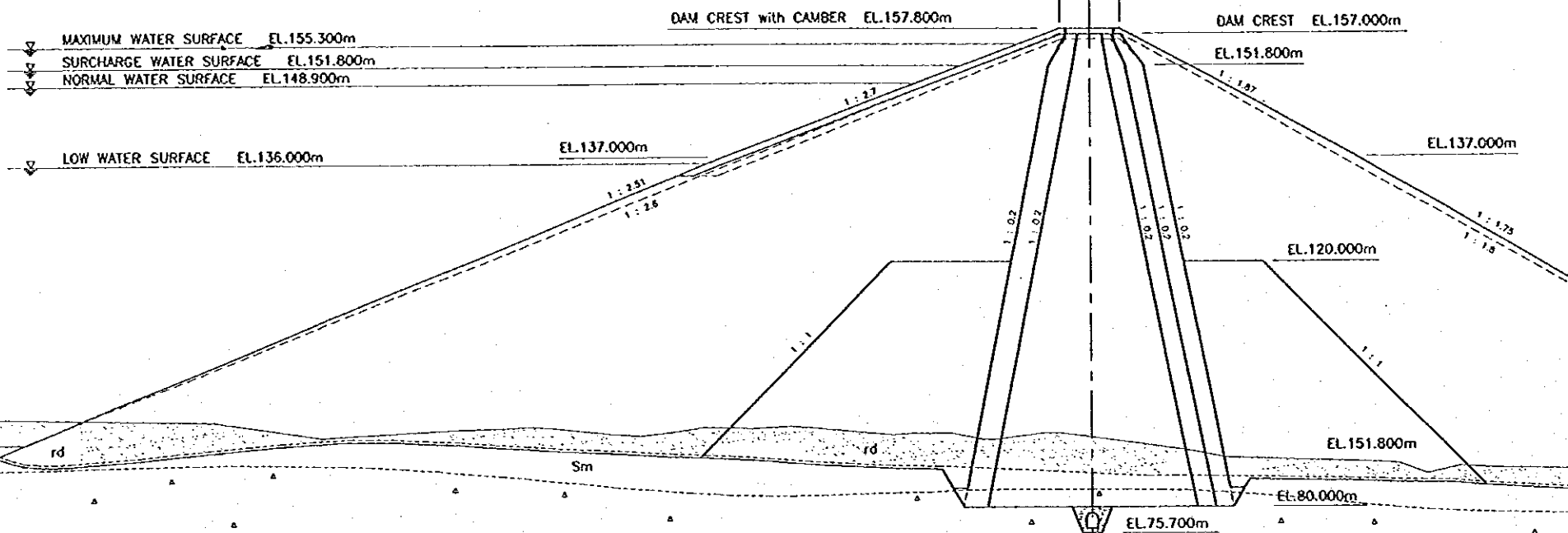


NO.	DATE	REVISIONS	ORIGINATED	DESIGNED	APPROVED

THE REPUBLIC OF INDONESIA MINISTRY OF PUBLIC WORKS DIRECTORATE GENERAL OF WATER RESOURCES DEVELOPMENT AND DIRECTORATE GENERAL OF HUMAN SETTLEMENT		PROVINCE CENTRAL JAWA
PRATUNSELINA FLOOD CONTROL PROJECT COMPONENT: JATIBARANG DAM CONSTRUCTION EMBANKMENT DAM CROSS SECTION (4/10)		PROJECT NAME FLOOD CONTROL, URBAN DRAINAGE AND WATER RESOURCES DEVELOPMENT IN SEMARANG IN THE PROVINCE OF INDONESIA DISTRICT SEMARANG CITY DRAWING NO. JD-P1-ED-Ce-4 SHEET NO. 34 DATE CONTRACT NO.
LAZAR INTERNATIONAL COOPERATION AGENCY C/I ENGINEERING CO. LTD. IN ASSOCIATION WITH PACIFIC CONSULTANTS INTERNATIONAL TAIACO INTERNATIONAL INC.	DESIGNED CHECKED CHIEF OF PLANNING AND DESIGN PRODUCT MANAGER	APPROVED

EL. m
160
150
140
130
120
110
100
90
80

STA. 140

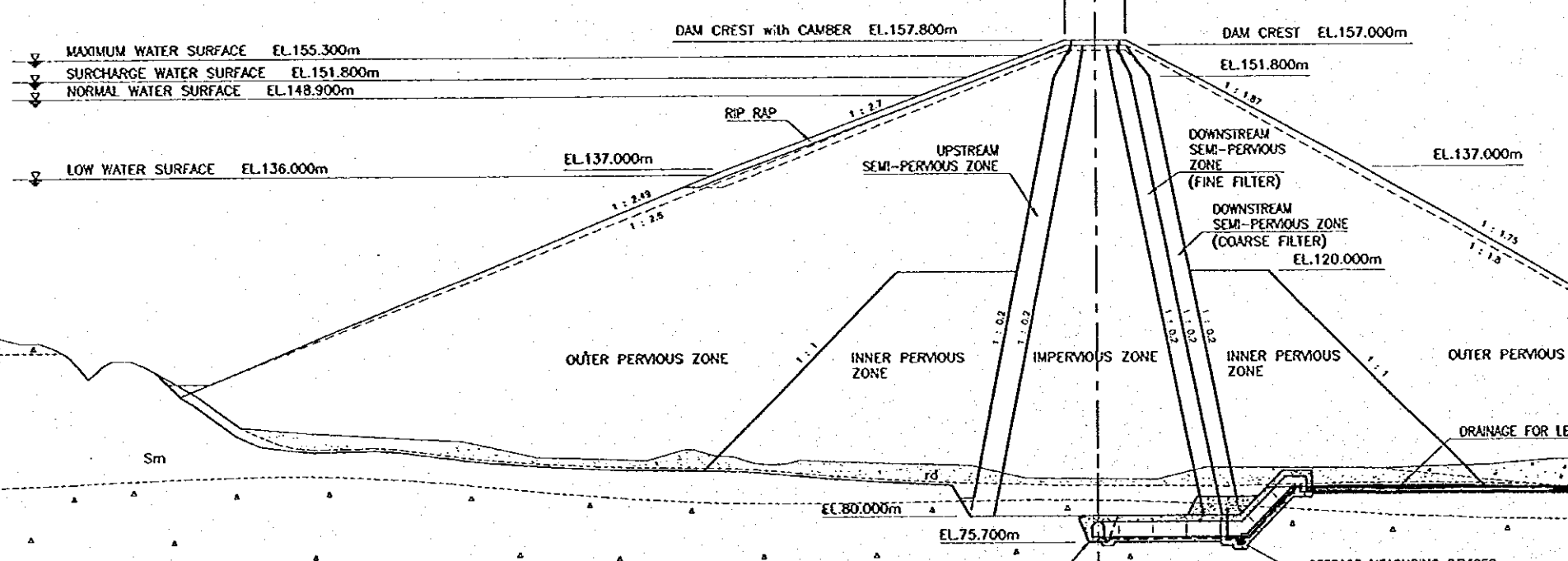


EL. m
160
150
140
130
120
110
100
90
80

LEGEND
rd : RIVER DEPOSIT
td : TALUS DEPOSIT
Su : UPPER SEDIMENTARY ROCK UNIT
Pu : UPPER PYROCLASTIC ROCK UNIT
Sm : MIDDLE SEDIMENTARY ROCK UNIT
Pi : LOWER PYROCLASTIC ROCK UNIT

EL. m
160
150
140
130
120
110
100
90
80

STA. 150



EL. m
160
150
140
130
120
110
100
90
80

NOTES

1. STA. NO. IS REFERRED FROM DRAWING NO. JD-P1-ED-Ge-1.
2. THE GEOLOGICAL INFORMATION IS ONLY FOR REFERENCE.

REFERENCE DRAWINGS

- JD-P1-ED-Ge-1 EMBANKMENT DAM - LAYOUT PLAN
- JD-P1-ED-Ge-2 EMBANKMENT DAM - PROFILE ALONG DAM AXIS
- JD-P1-ED-Ge-3 EMBANKMENT DAM - TYPICAL CROSS SECTION

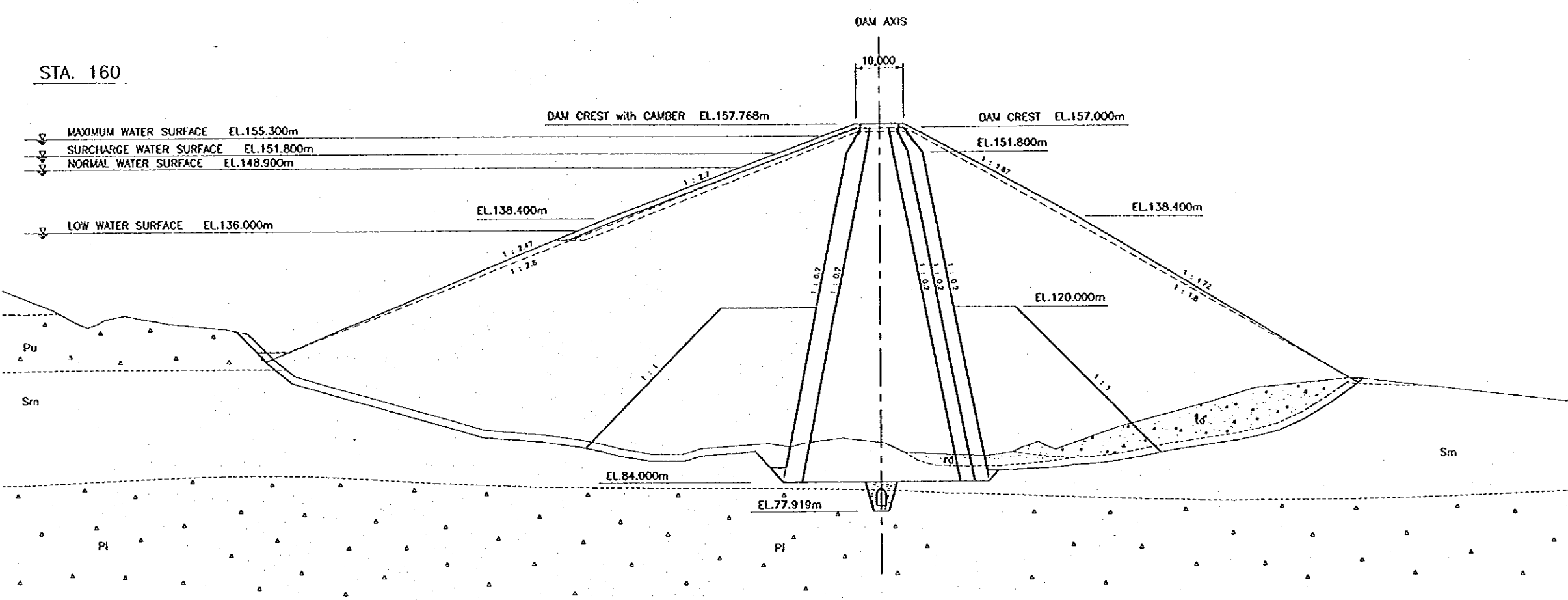
SCALE 0 10 20 30 40 50m

NO.	DATE	REVISIONS	ORIGINATED	DESIGNED	APPROVED

THE REPUBLIC OF INDONESIA MINISTRY OF PUBLIC WORKS DEPARTMENT GENERAL OF WATER RESOURCES DEVELOPMENT AND DEPARTMENT GENERAL OF HUMAN SETTLEMENT		PROVINCE CENTRAL JAVA
IRATUNSELUWA FLOOD CONTROL PROJECT COMPONENT : JATIBARANG DAM CONSTRUCTION EMBANKMENT DAM CROSS SECTION (5/10)		PROJECT NAME FLOOD CONTROL, URBAN DRAINAGE AND WATER RESOURCES DEVELOPMENT IN SEMARANG IN THE REPUBLIC OF INDONESIA
JAWA INTERNATIONAL COOPERATION AGENCY CTE ENGINEERING CO., LTD. IN ASSOCIATION WITH PACIFIC CONSULTANTS INTERNATIONAL PABCO INTERNATIONAL INC.		OFFICE SEMARANG CITY
CHECKED DATE		DRAWING NO. JD-P1-ED-Gr-5 SHEET NO. 35
CARRY OF PLANNING AND DESIGN PROJECT MANAGER		CONTRACT NO.

EL. m
160
150
140
130
120
110
100
90
80

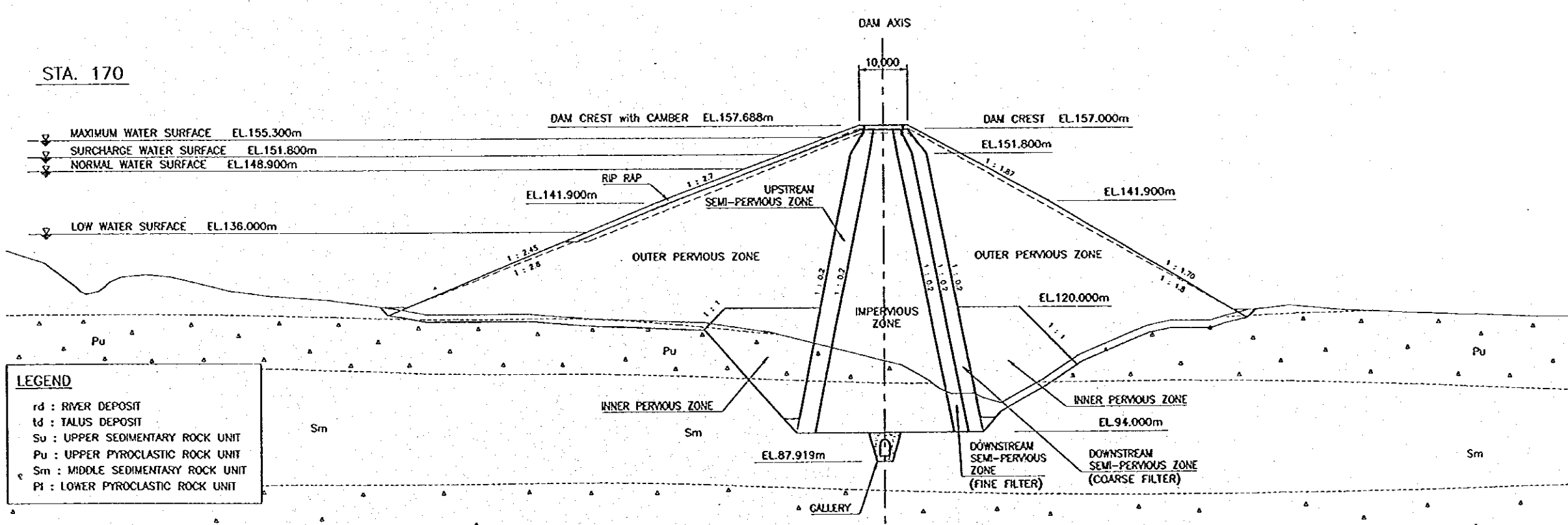
STA. 160



EL. m
160
150
140
130
120
110
100
90
80

EL. m
160
150
140
130
120
110
100
90
80

STA. 170



EL. m
160
150
140
130
120
110
100
90
80

LEGEND
 rd : RIVER DEPOSIT
 td : TALUS DEPOSIT
 Su : UPPER SEDIMENTARY ROCK UNIT
 Pu : UPPER PYROCLASTIC ROCK UNIT
 Sm : MIDDLE SEDIMENTARY ROCK UNIT
 PI : LOWER PYROCLASTIC ROCK UNIT

NOTES

1. STA. NO. IS REFERRED FROM DRAWING NO. JD-P1-ED-Ge-1.
2. THE GEOLOGICAL INFORMATION IS ONLY FOR REFERENCE.

REFERENCE DRAWINGS

- JD-P1-ED-Ge-1 EMBANKMENT DAM - LAYOUT PLAN
- JD-P1-ED-Ge-2 EMBANKMENT DAM - PROFILE ALONG DAM AXIS
- JD-P1-ED-Ge-3 EMBANKMENT DAM - TYPICAL CROSS SECTION

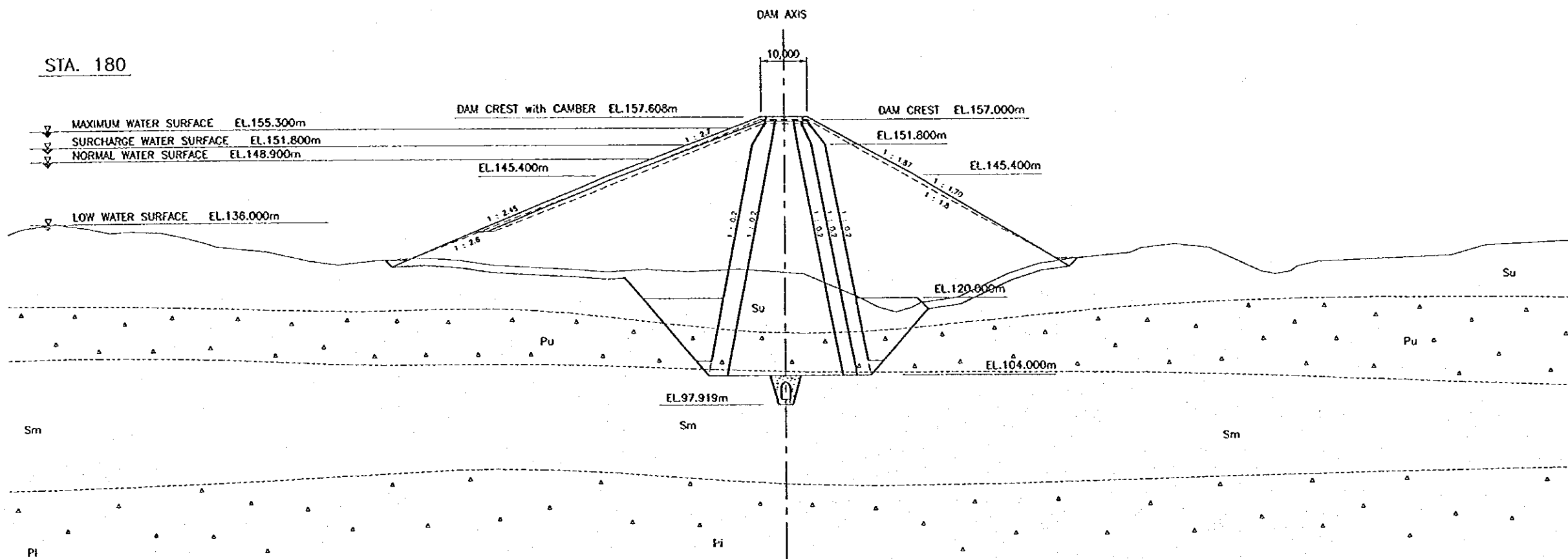
SCALE 0 10 20 30 40 50m

NO.	DATE	REVISIONS	ORIGINATED	DESIGNED	APPROVED

THE REPUBLIC OF INDONESIA MINISTRY OF PUBLIC WORKS DIRECTORATE GENERAL OF WATER RESOURCES DEVELOPMENT AND DIRECTORATE GENERAL OF HUMAN SETTLEMENT		PROVINCE CENTRAL JAVA
BRATUNSELUMA FLOOD CONTROL PROJECT COMPONENT - IATIRAMBO DAM CONSTRUCTION EMBANKMENT DAM CROSS SECTION (6/10)		PROJECT NAME FLOOD CONTROL, URBAN DRAINAGE AND WATER RESOURCES DEVELOPMENT BY SEMARANG IN THE REPUBLIC OF INDONESIA
JAPAN INTERNATIONAL COOPERATION AGENCY (JICA) THROUGH THE TECHNICAL ASSISTANCE PROGRAM (TAP)		CONTRACT SEMARANG CITY DRAWING NO. JD-P1-ED-Cr-6 SHEET NO. 36
CHIEF OF PLANNING AND DESIGN PROJECT MANAGER		DATE CONTRACT NO.

EL. m
160
150
140
130
120
110
100
90
80

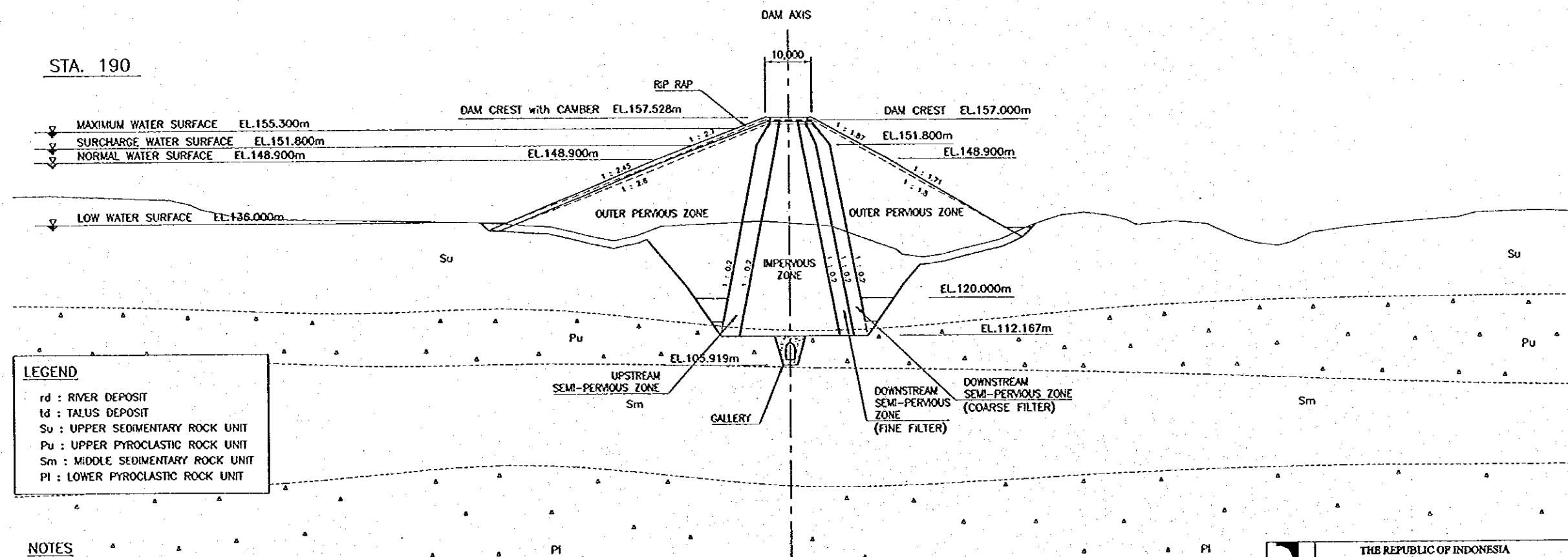
STA. 180



EL. m
160
150
140
130
120
110
100
90
80

EL. m
160
150
140
130
120
110
100
90
80

STA. 190



EL. m
160
150
140
130
120
110
100
90
80

LEGEND

- rd : RIVER DEPOSIT
- td : TALUS DEPOSIT
- Su : UPPER SEDIMENTARY ROCK UNIT
- Pu : UPPER PYROCLASTIC ROCK UNIT
- Sm : MIDDLE SEDIMENTARY ROCK UNIT
- Pi : LOWER PYROCLASTIC ROCK UNIT

NOTES

1. STA. NO. IS REFERRED FROM DRAWING NO. JD-P1-ED-Gs-1.
2. THE GEOLOGICAL INFORMATION IS ONLY FOR REFERENCE.

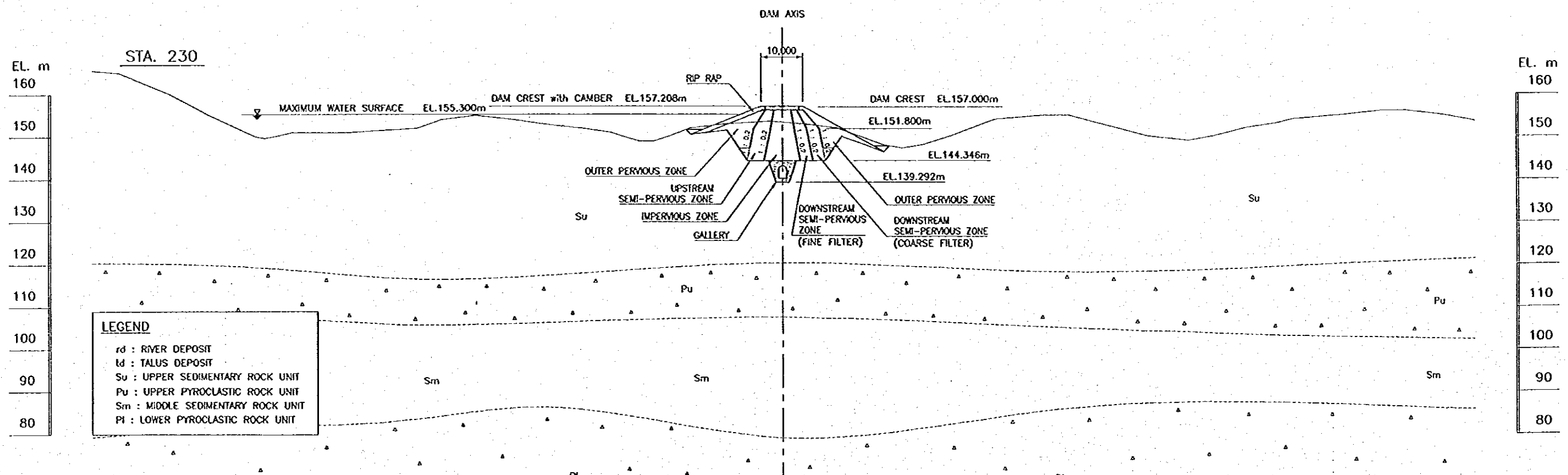
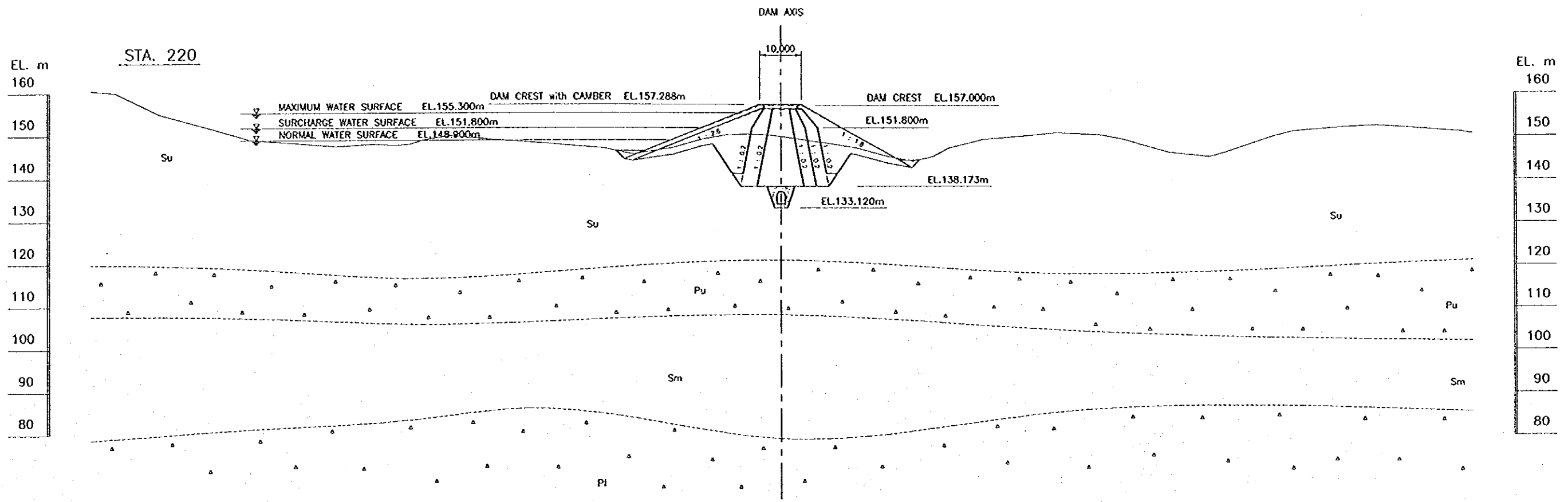
REFERENCE DRAWINGS

- JD-P1-ED-Gs-1 EMBANKMENT DAM -- LAYOUT PLAN
- JD-P1-ED-Gs-2 EMBANKMENT DAM -- PROFILE ALONG DAM AXIS
- JD-P1-ED-Gs-3 EMBANKMENT DAM -- TYPICAL CROSS SECTION

SCALE 0 10 20 30 40 50m

NO.	DATE	REVISIONS	ORIGINATED	DESIGNED	APPROVED

THE REPUBLIC OF INDONESIA MINISTRY OF PUBLIC WORKS DIRECTORATE GENERAL OF WATER RESOURCES DEVELOPMENT AND DIRECTORATE GENERAL OF HUMAN SETTLEMENT		PROVINCE CENTRAL JAVA
JATUNGSILANA FLOOD CONTROL PROJECT COMPONENT : JATIBARANG DAM CONSTRUCTION		PROJECT NAME FLOOD CONTROL, URBAN DRAINAGE AND WATER SUPPLY DEVELOPMENT IN SEMARANG BY THE REPUBLIC OF INDONESIA
EMBANKMENT DAM CROSS SECTION (7/10)		DISTRICT SEMARANG CITY
JAPAN INTERNATIONAL COOPERATION AGENCY CHEE ENGINEERING CO. LTD. IN ASSOCIATION WITH PACIFIC CONSULTANTS INTERNATIONAL PAKCO INTERNATIONAL INC.		DRAWING NO. JD-P1-ED-G-7 SHEET NO. 37
CHIEF OF PLANNING AND DESIGN	PROJECT MANAGER	DATE CONTRACT NO.



LEGEND

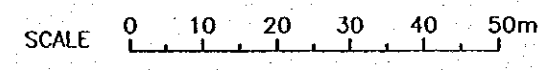
- rd : RIVER DEPOSIT
- td : TALUS DEPOSIT
- Su : UPPER SEDIMENTARY ROCK UNIT
- Pu : UPPER PYROCLASTIC ROCK UNIT
- Sm : MIDDLE SEDIMENTARY ROCK UNIT
- Pi : LOWER PYROCLASTIC ROCK UNIT

NOTES

- STA. NO. IS REFERRED FROM DRAWING NO. JD-P1-ED-Ge-1.
- THE GEOLOGICAL INFORMATION IS ONLY FOR REFERENCE.

REFERENCE DRAWINGS

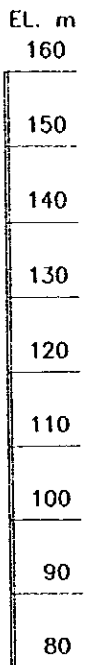
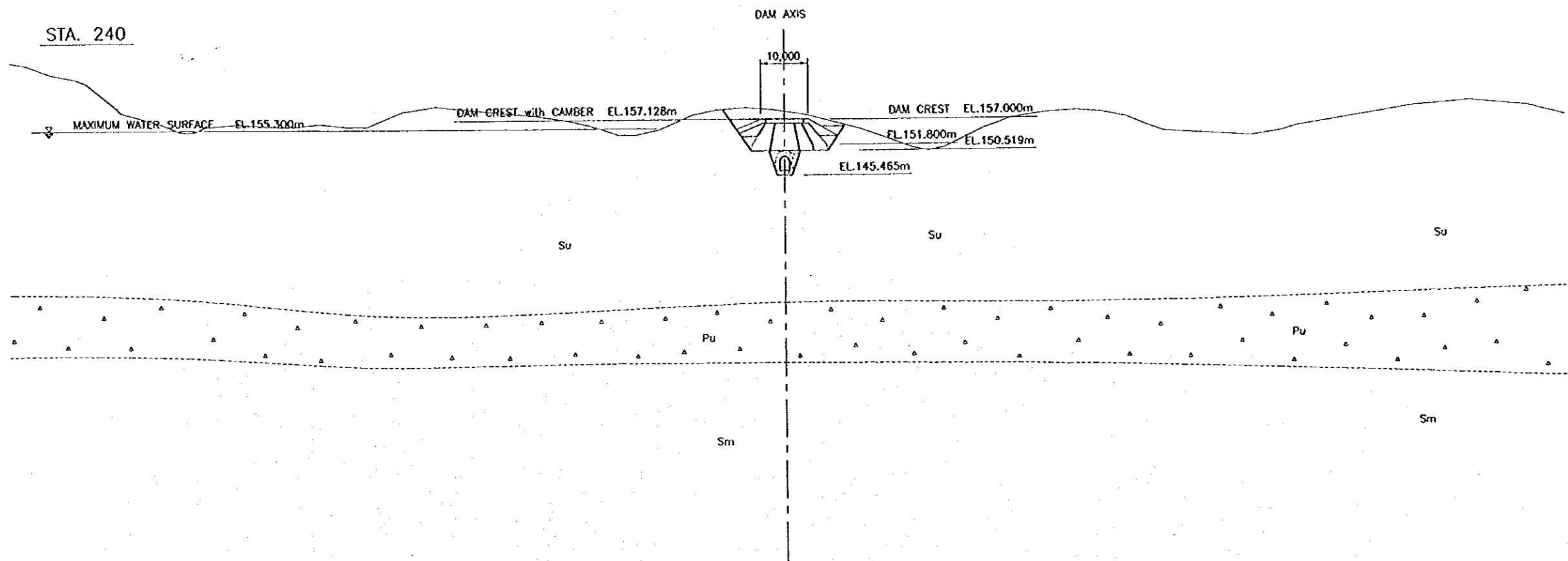
- JD-P1-ED-Ge-1 EMBANKMENT DAM - LAYOUT PLAN
- JD-P1-ED-Ge-2 EMBANKMENT DAM - PROFILE ALONG DAM AXIS
- JD-P1-ED-Ge-3 EMBANKMENT DAM - TYPICAL CROSS SECTION



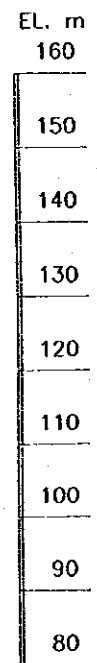
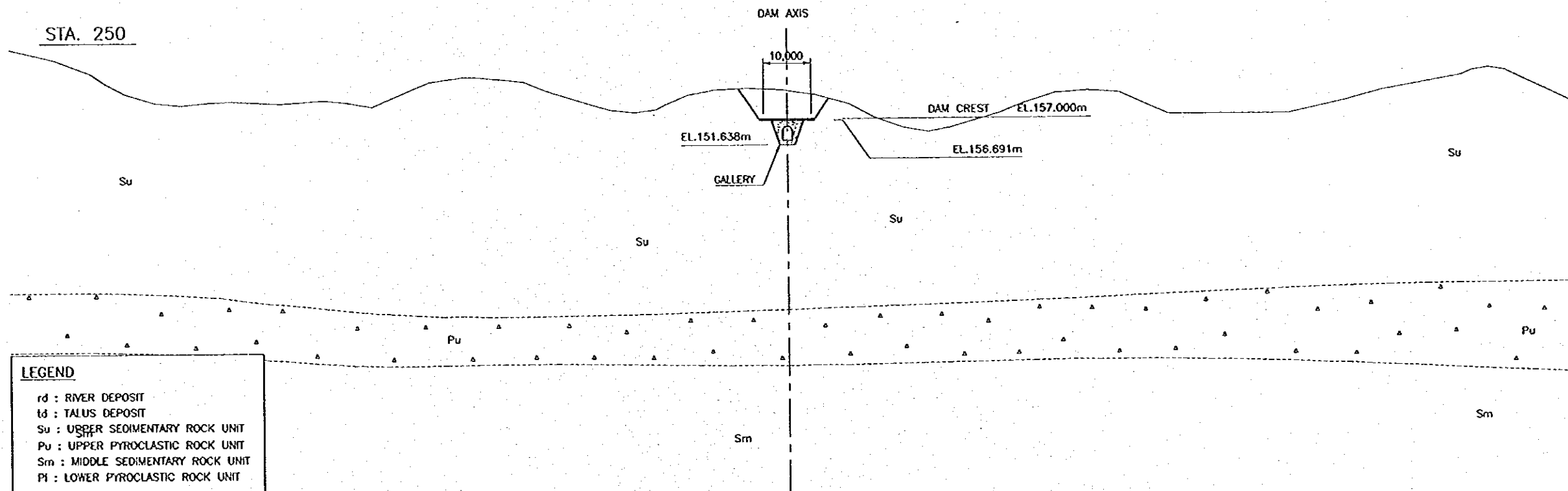
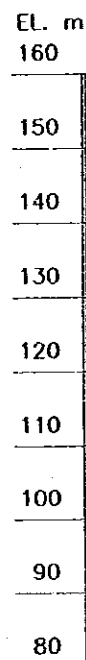
NO.	DATE	REVISIONS	ORIGINATED	DESIGNED	APPROVED

THE REPUBLIC OF INDONESIA MINISTRY OF PUBLIC WORKS DIRECTORATE GENERAL OF WATER RESOURCES DEVELOPMENT AND DIRECTORATE GENERAL OF HUMAN SETTLEMENT		PROVINCE CENTRAL JAVA
IRATUNSELUMA FLOOD CONTROL PROJECT COMPONENT : JATIBARANG DAM CONSTRUCTION EMBANKMENT DAM CROSS SECTION (9/10)		PROJECT NAME FLOOD CONTROL, URBAN DRAINAGE AND WATER RESOURCES DEVELOPMENT IN SEMARANG IN THE REPUBLIC OF INDONESIA
JAPAN INTERNATIONAL COOPERATION AGENCY OJI BUILDING CO., LTD. IN ASSOCIATION WITH PACIFIC CONSTRUCTION INTERNATIONAL PAKO INTERNATIONAL INC.		CITY SEMARANG CITY
CHECKED CRIEF OF PLANNING AND DESIGN PROJECT MANAGER		DRAWING NO. JD-P1-ED-Cr-9 SHEET NO. 39
APPROVED		DATE CONTRACT NO.

STA. 240



STA. 250



LEGEND

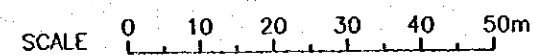
- rd : RIVER DEPOSIT
- td : TALUS DEPOSIT
- Su : UPPER SEDIMENTARY ROCK UNIT
- Pu : UPPER PYROCLASTIC ROCK UNIT
- Sm : MIDDLE SEDIMENTARY ROCK UNIT
- Pl : LOWER PYROCLASTIC ROCK UNIT

NOTES

1. STA. NO. IS REFERRED FROM DRAWING NO. JD-P1-ED-Ge-1.
2. THE GEOLOGICAL INFORMATION IS ONLY FOR REFERENCE.

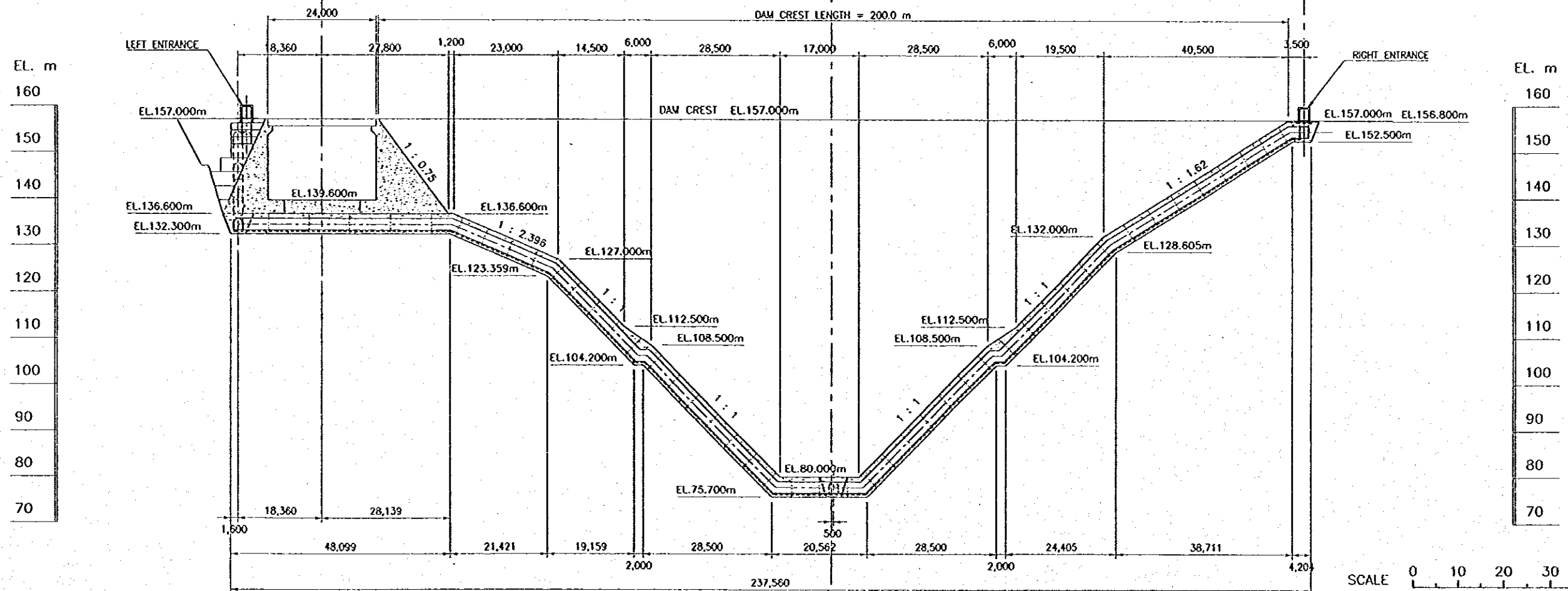
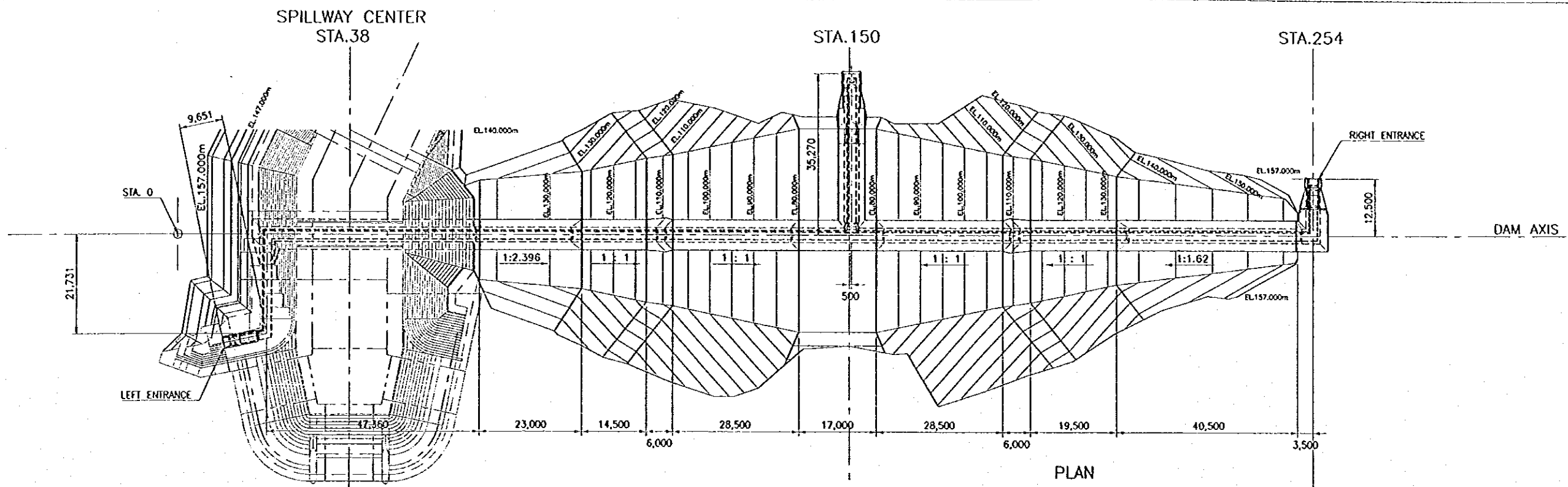
REFERENCE DRAWINGS

- JD-P1-ED-Ge-1 EMBANKMENT DAM - LAYOUT PLAN
- JD-P1-ED-Ge-2 EMBANKMENT DAM - PROFILE ALONG DAM AXIS
- JD-P1-ED-Ge-3 EMBANKMENT DAM - TYPICAL CROSS SECTION



NO.	DATE	REVISIONS	ORIGINATED	DESIGNED	APPROVED

THE REPUBLIC OF INDONESIA MINISTRY OF PUBLIC WORKS DIRECTORATE GENERAL OF WATER RESOURCES DEVELOPMENT AND DIRECTORATE GENERAL OF HUMAN SETTLEMENT		PROVINCE CENTRAL JAWA
PRATUNSELUSA FLOOD CONTROL PROJECT COMPONENT : JATIBARANG DAM CONSTRUCTION EMBANKMENT DAM CROSS SECTION (10/10)		PROJECT NAME FLOOD CONTROL, URBAN DRAINAGE AND WATER RESOURCES DEVELOPMENT IN SEMARANG IN THE REPUBLIC OF INDONESIA
JAPAN INTERNATIONAL COOPERATION AGENCY CIL INTERNATIONAL CO., LTD. IN ASSOCIATION WITH PACIFIC CONSULTANTS INTERNATIONAL, PACIFIC INTERNATIONAL, INC.		DISTRICT SEMARANG CITY
CHIEF OF PLANNING AND DESIGN PROJECT MANAGER		DRAWING NO. JD-P1-ED-Cr-10 SHEET NO. 40
DISSEMINATED CHECKED		DATE CONTRACT NO.



NOTES

1. ALL DIMENSIONS ARE IN MILLIMETERS, UNLESS OTHERWISE NOTED.
2. GALLERY CONCRETE SHALL BE OF TYPE B AS PER SPECIFICATION.

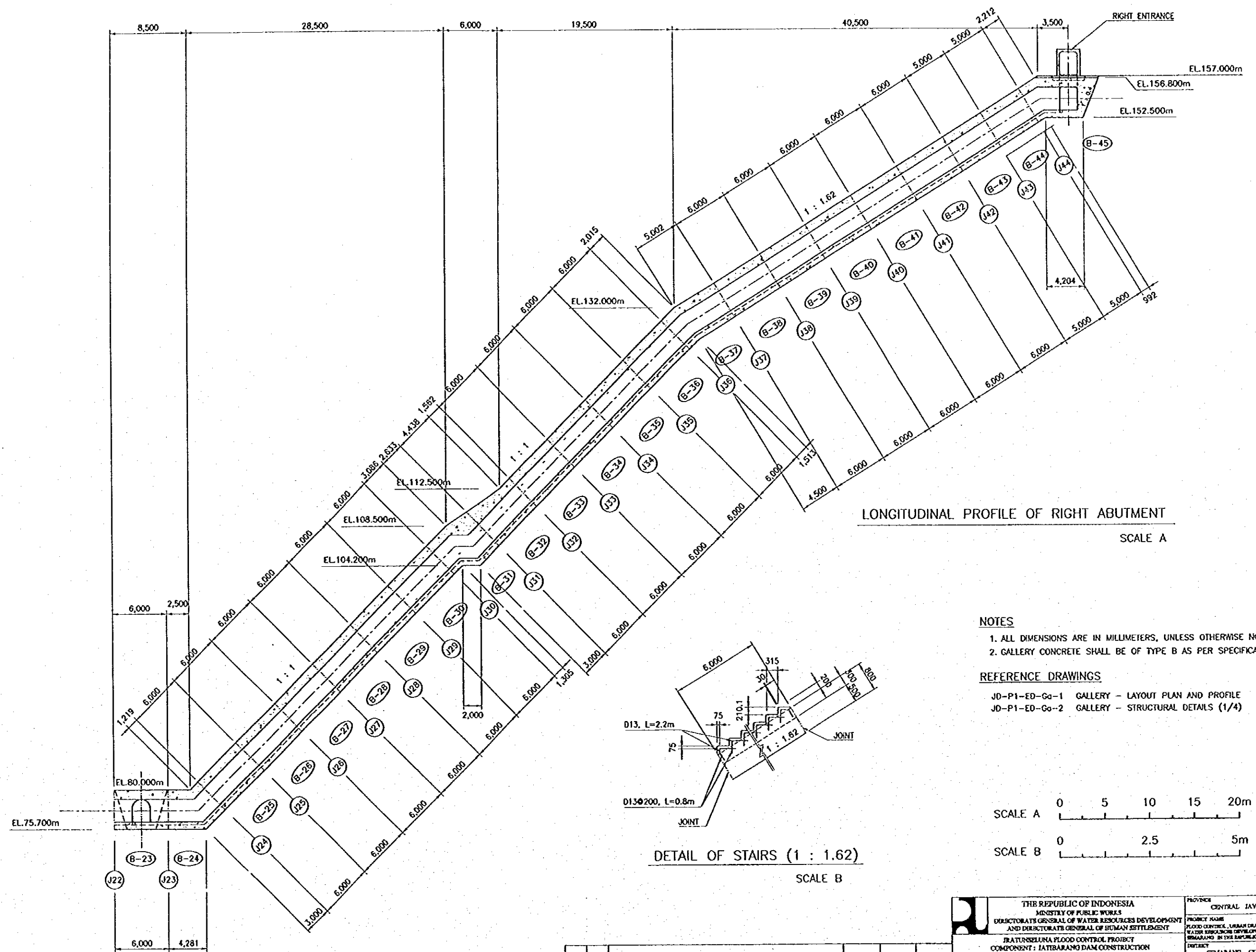
REFERENCE DRAWINGS

- JD-P1-ED-Co-2 GALLERY - STRUCTURAL DETAILS (1/4)
- JD-P1-ED-Co-3 GALLERY - STRUCTURAL DETAILS (2/4)
- JD-P1-ED-Co-4 GALLERY - STRUCTURAL DETAILS (3/4)

NO.	DATE	REVISIONS	GRADUATED	DESIGNED	APPROVED

THE REPUBLIC OF INDONESIA MINISTRY OF PUBLIC WORKS DIRECTORATE GENERAL OF WATER RESOURCES DEVELOPMENT AND DIRECTORATE GENERAL OF HUMAN SETTLEMENT		PROVINCE CENTRAL JAVA
IRATUNSEUNA FLOOD CONTROL PROJECT COMPONENT : JATIBARANG DAM CONSTRUCTION EMBANKMENT DAM GALLERY LAYOUT PLAN AND PROFILE		PROJECT NAME FLOOD CONTROL, URBAN DRAINAGE AND WATER RESOURCES DEVELOPMENT IN SEMARANG IN THE REPUBLIC OF INDONESIA
LIAISON INTERNATIONAL COOPERATION AGENCY CCI ENGINEERING CO., LTD. IN ASSOCIATION WITH PACIFIC CONSULTANTS INTERNATIONAL PACIFIC INTERNATIONAL INC. CHIEF OF PLANNING AND DESIGN PROJECT MANAGER		DISTRICT SEMARANG CITY DRAWING NO. JD-P1-ED-Co-1 SHEET NO. 41 DATE CONTRACT NO.
DESIGNED	CHECKED	DATE

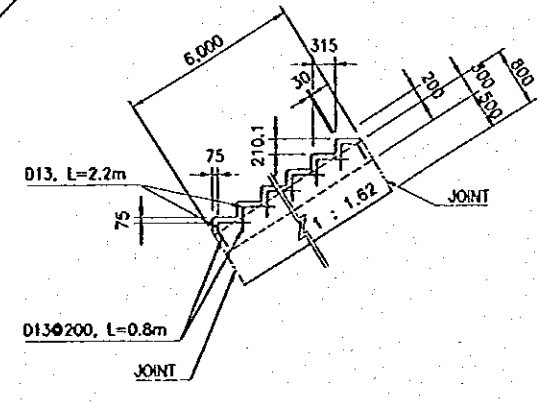
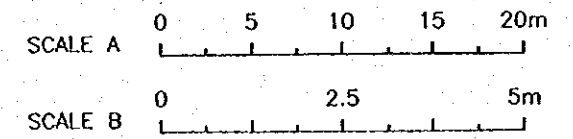
EL. m
160
150
140
130
120
110
100
90
80
70



LONGITUDINAL PROFILE OF RIGHT ABUTMENT
SCALE A

- NOTES**
1. ALL DIMENSIONS ARE IN MILLIMETERS, UNLESS OTHERWISE NOTED.
 2. GALLERY CONCRETE SHALL BE OF TYPE B AS PER SPECIFICATION.

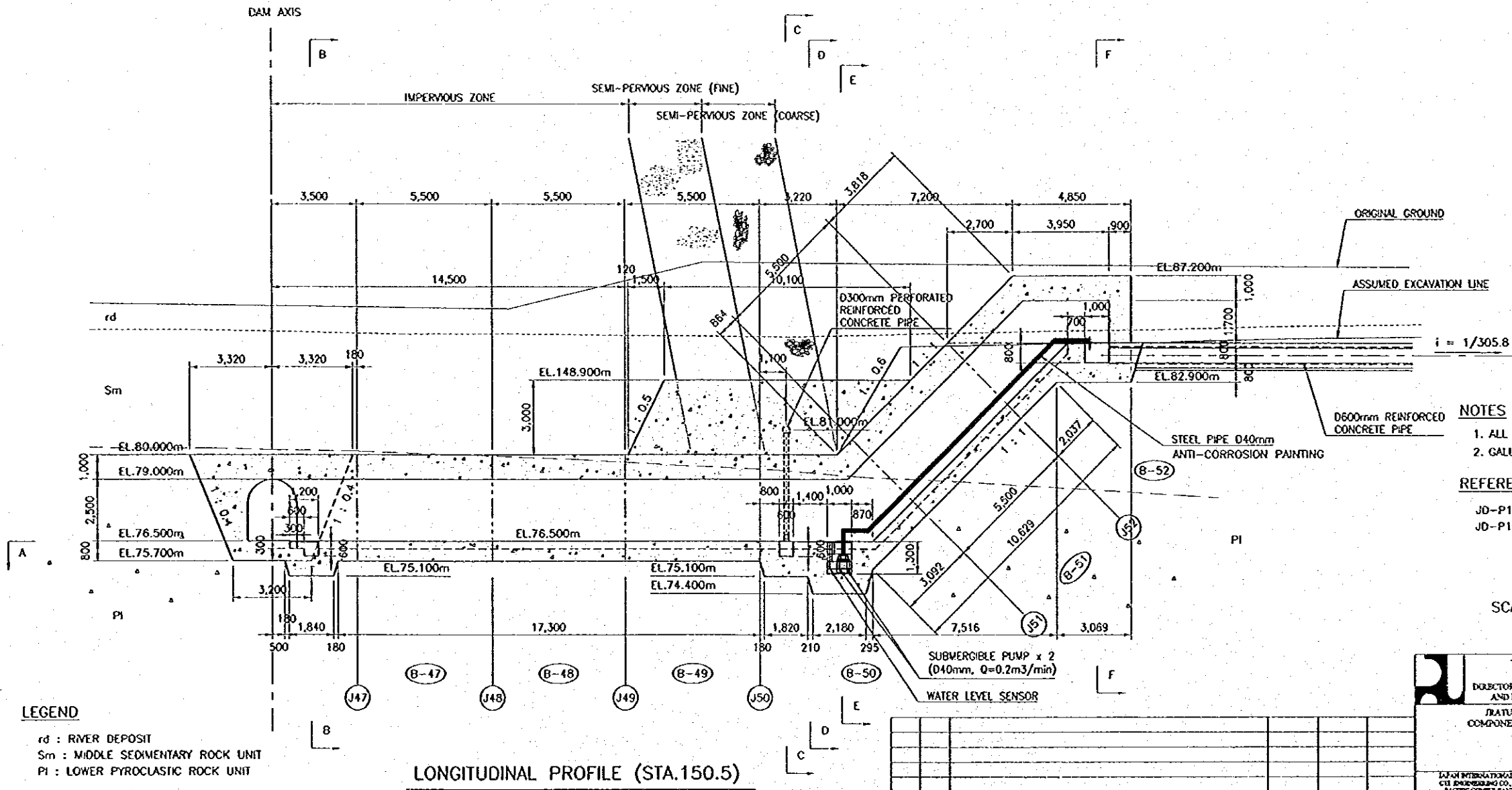
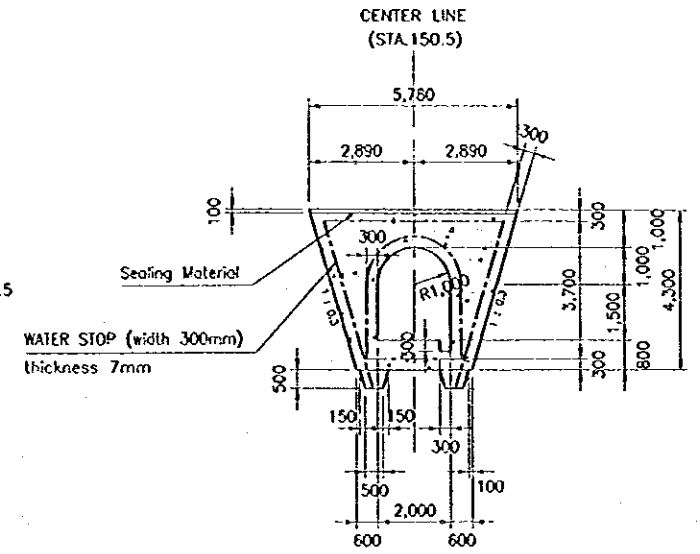
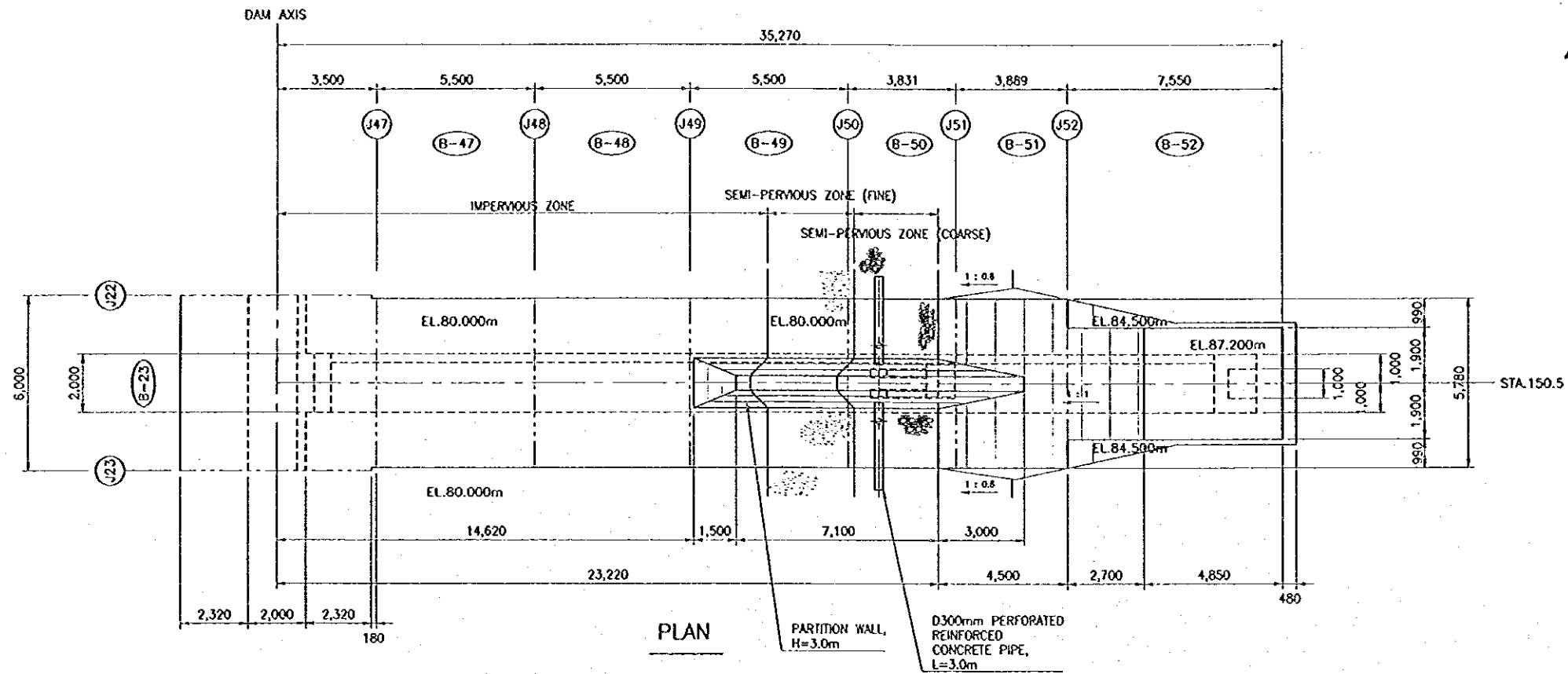
- REFERENCE DRAWINGS**
- JD-P1-ED-Gg-1 GALLERY - LAYOUT PLAN AND PROFILE
 - JD-P1-ED-Gg-2 GALLERY - STRUCTURAL DETAILS (1/4)



DETAIL OF STAIRS (1 : 1.62)
SCALE B

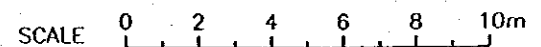
NO.	DATE	REVISIONS	ORIGINATED	DESIGNED	APPROVED

THE REPUBLIC OF INDONESIA MINISTRY OF PUBLIC WORKS DIRECTORATE GENERAL OF WATER RESOURCES DEVELOPMENT AND DIRECTORATE GENERAL OF HUMAN SETTLEMENT JATUNGSILUNA FLOOD CONTROL PROJECT COMPONENT : JATIBARANG DAM CONSTRUCTION EMBANKMENT DAM GALLERY STRUCTURALDETAILS (2/4)		PROVINCE CENTRAL JAWA PROJECT NAME FLOOD CONTROL, URBAN DRAINAGE AND WATER RESOURCES DEVELOPMENT IN SEMARANG IN THE REPUBLIC OF INDONESIA DISTRICT SEMARANG CITY DRAWING NO. JD-P1-ED-Gg-3 SHEET NO. 43 DATE CONTRACT NO.
JICA INTERNATIONAL COOPERATION AGENCY CH. ENGINEERING CO., LTD. IN ASSOCIATION WITH PACIFIC CONSULTANTS INTERNATIONAL JAWA BARAT REGIONAL OFFICE	DESIGNED CHECKED CHIEF OF PLANNING AND DESIGN PROJECT MANAGER	APPROVED



- NOTES**
1. ALL DIMENSIONS ARE IN MILLIMETERS, UNLESS OTHERWISE NOTED.
 2. GALLERY CONCRETE SHALL BE OF TYPE B AS PER SPECIFICATION.

- REFERENCE DRAWINGS**
- JD-P1-ED-Go-1 GALLERY - LAYOUT PLAN AND PROFILE
 - JD-P1-ED-Go-5 GALLERY - STRUCTURAL DETAILS (4/4)

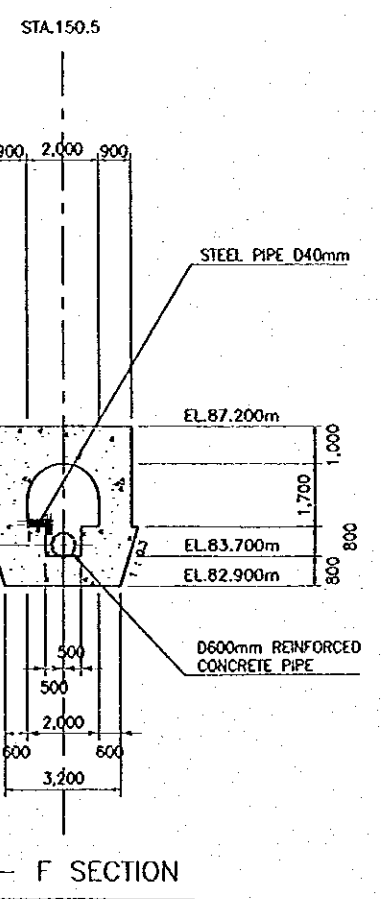
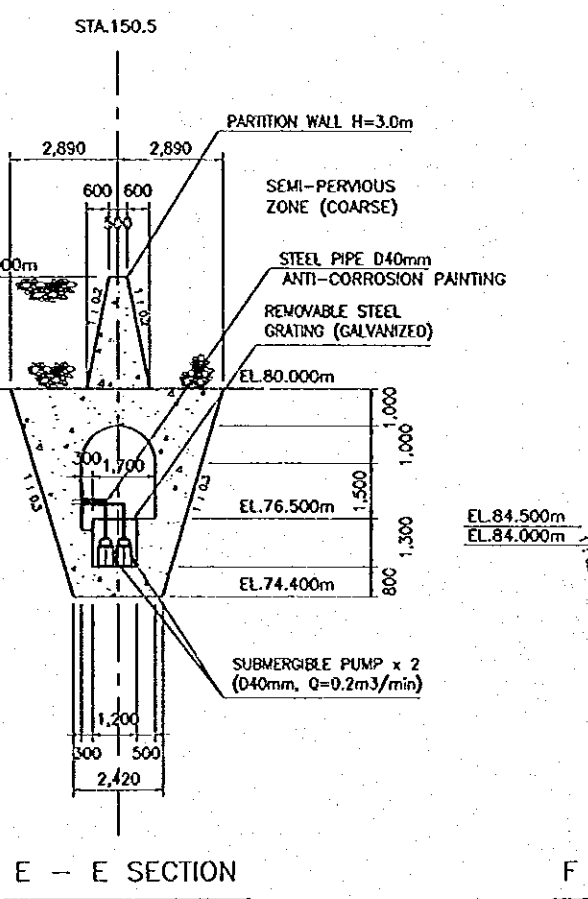
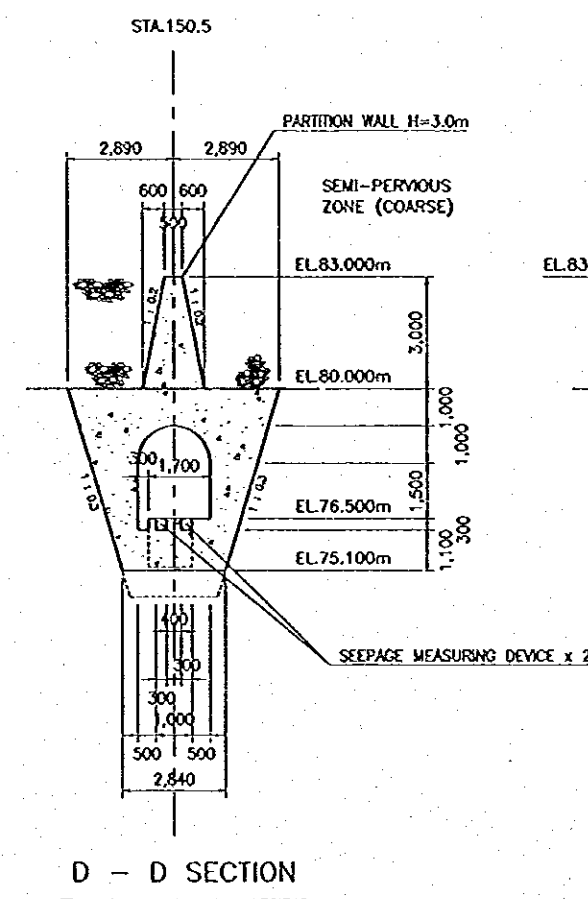
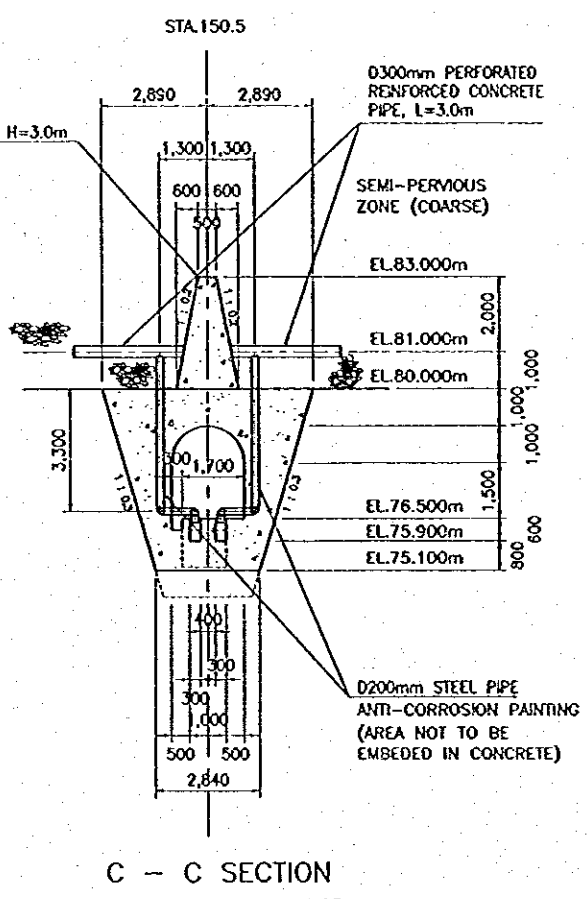
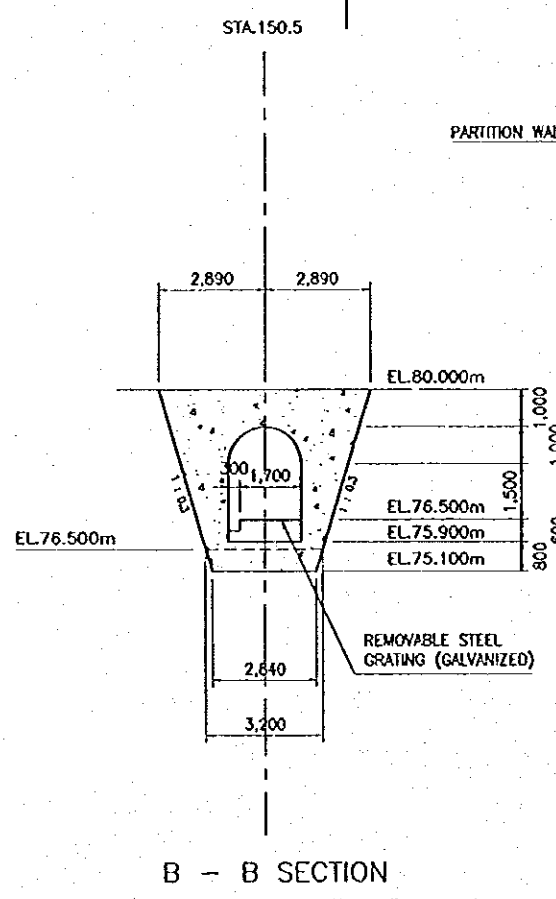
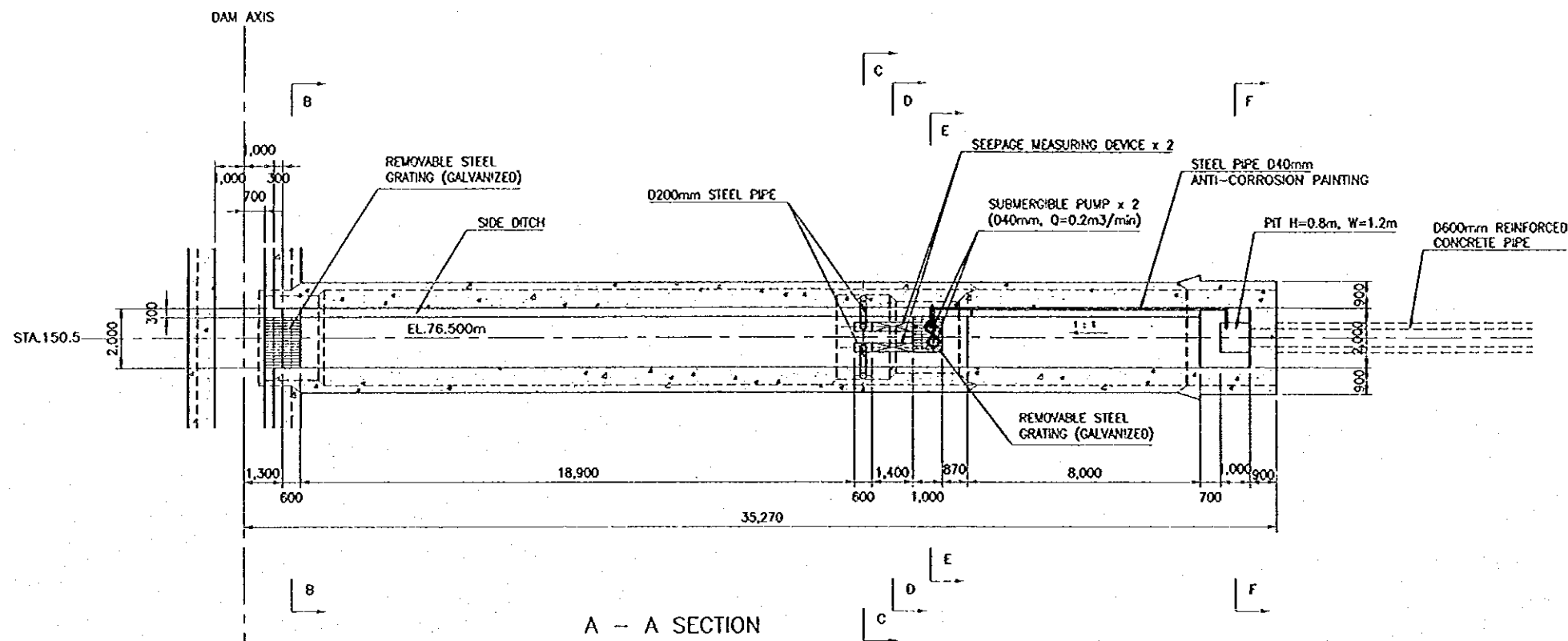


LEGEND

rd : RIVER DEPOSIT
 Sm : MIDDLE SEDIMENTARY ROCK UNIT
 PI : LOWER PYROCLASTIC ROCK UNIT

NO.	DATE	REVISIONS	ORIGINATED	DESIGNED	APPROVED

THE REPUBLIC OF INDONESIA MINISTRY OF PUBLIC WORKS DIRECTORATE GENERAL OF WATER RESOURCES DEVELOPMENT AND DIRECTORATE GENERAL OF HUMAN SETTLEMENT		PROVINCE CENTRAL JAVA
JATUNSELUNDA FLOOD CONTROL PROJECT COMPONENT : JATIBARANG DAM CONSTRUCTION EMBANKMENT DAM GALLERY STRUCTURAL DETAILS (3/4)		PROJECT NAME FLOOD CONTROL, URBAN DRAINAGE AND WATER RESOURCES DEVELOPMENT OF SEMARANG IN THE REPUBLIC OF INDONESIA DISTRICT SEMARANG CITY
JAPAN INTERNATIONAL COOPERATION AGENCY CIE ENGINEERING CO., LTD. PACIFIC CONSULTANTS INTERNATIONAL JAPAN INTERNATIONAL INC.		DRAWING NO. JD-P1-ED-Go-4 SHEET NO. 44
CENTER OF PLANNING AND DESIGN PROJECT MANAGER	DESIGNED CHECKED DATE	CONTRACT NO.

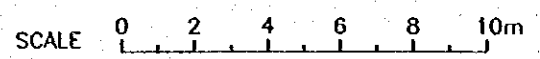


NOTES

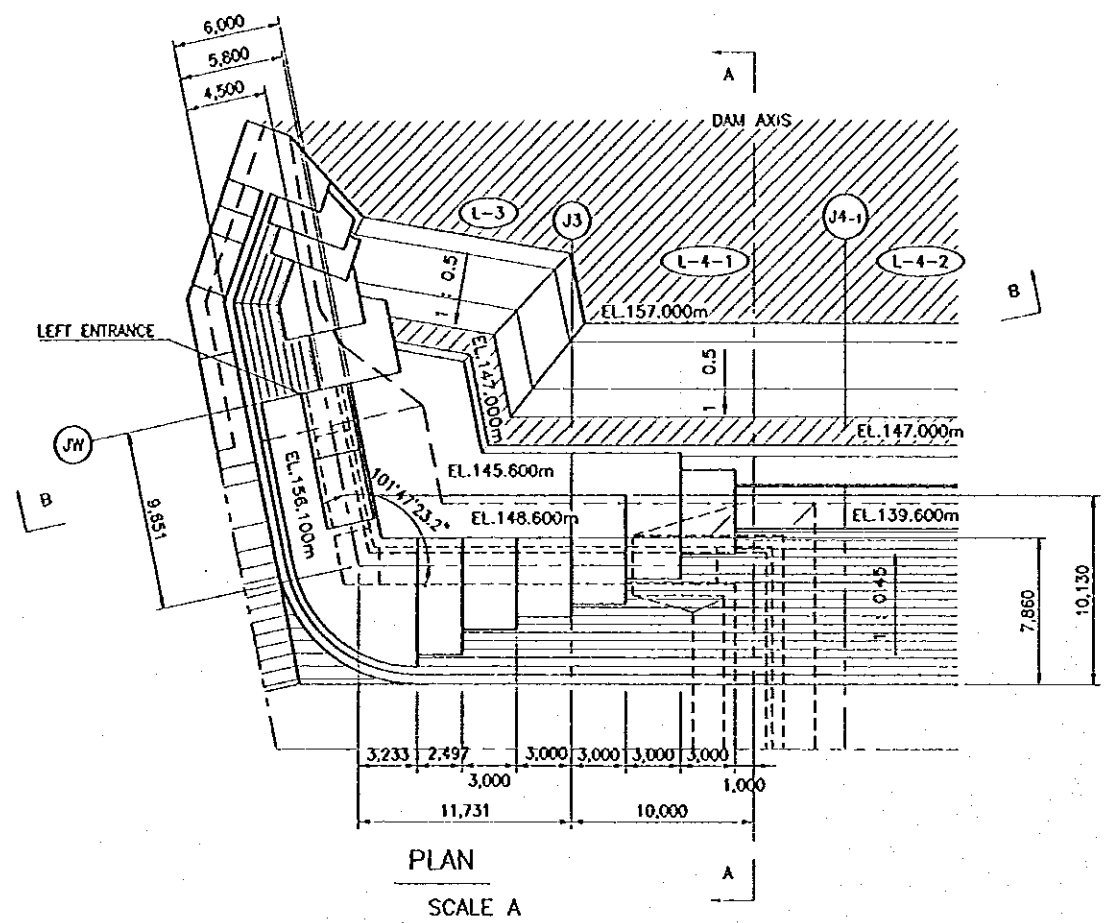
1. ALL DIMENSIONS ARE IN MILLIMETERS, UNLESS OTHERWISE NOTED.
2. GALLERY CONCRETE SHALL BE OF TYPE B AS PER SPECIFICATION.

REFERENCE DRAWINGS

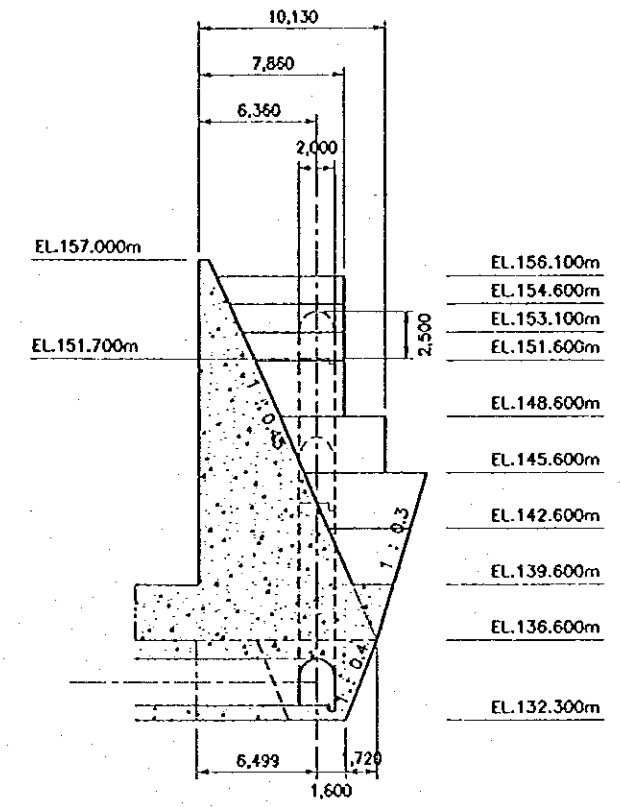
JD-P1-ED-Ga-1 GALLERY - LAYOUT PLAN AND PROFILE
 JD-P1-ED-Ga-4 GALLERY - STRUCTURAL DETAILS (3/4)



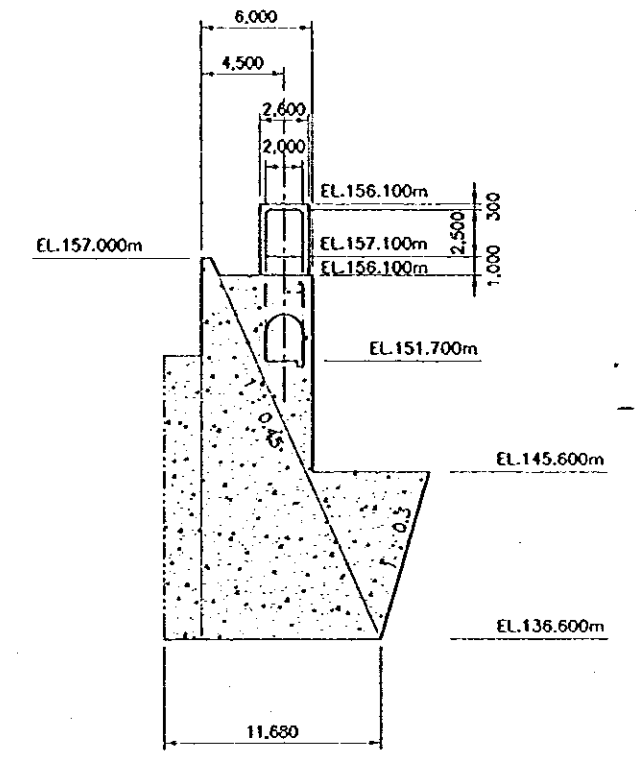
		THE REPUBLIC OF INDONESIA MINISTRY OF PUBLIC WORKS DIRECTORATE GENERAL OF WATER RESOURCES DEVELOPMENT AND DIRECTORATE GENERAL OF HUMAN SETTLEMENT PRATUNSELUNA FLOOD CONTROL PROJECT COMPONENT: JATIBARANG DAM CONSTRUCTION EMBANKMENT DAM GALLERY STRUCTURAL DETAILS (4/4)		PROVINCE CENTRAL JAVA PROJECT NAME FLOOD CONTROL, URBAN DRAINAGE AND WATER RESOURCES DEVELOPMENT IN BOGALING IN THE REPUBLIC OF INDONESIA DISTRICT SEMARANG CITY DRAWING NO. JD-P1-ED-Ga-5 SHEET NO. 45 DATE CONTRACT NO.
LAFAN INTERNATIONAL COOPERATION AGENCY PT INDOCONSILINDO UTAMA TBK PACIFIC CONSULTANTS INTERNATIONAL PACO INTERNATIONAL INC.		DESIGNED CHECKED APPROVED	DATE CONTRACT NO.	
CHIEF OF PLANNING AND DESIGN PROJECT MANAGER				



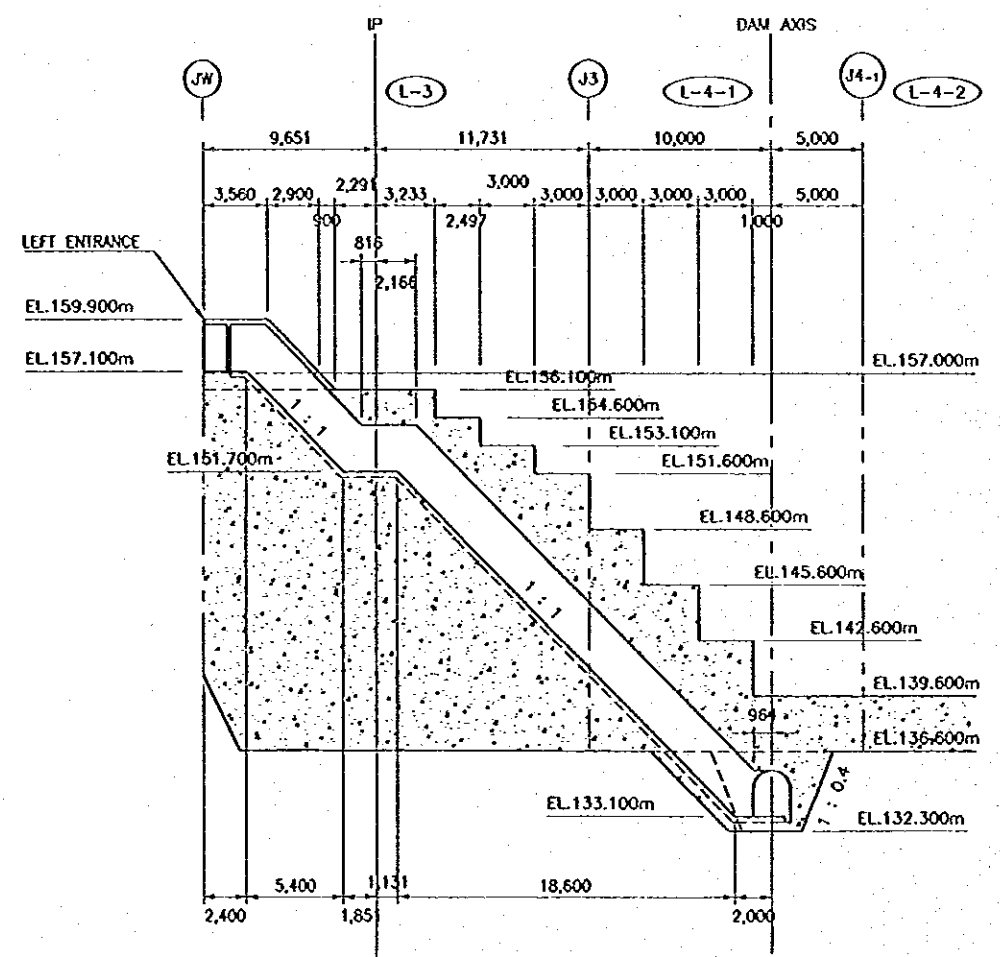
PLAN
SCALE A



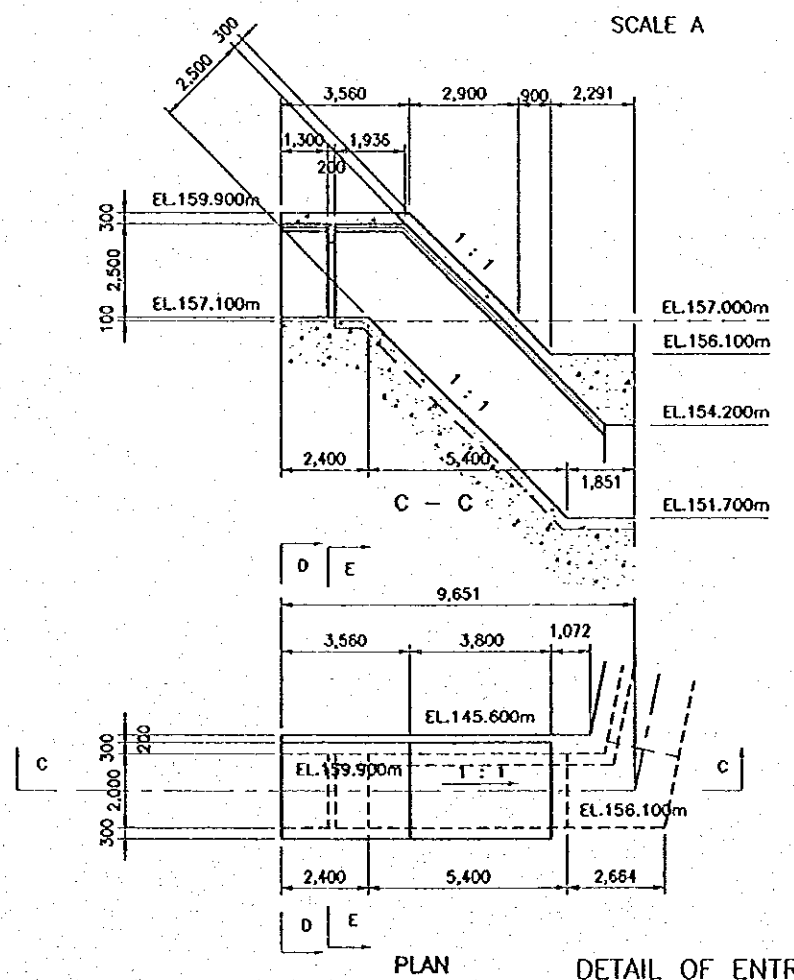
A - A SECTION
SCALE A



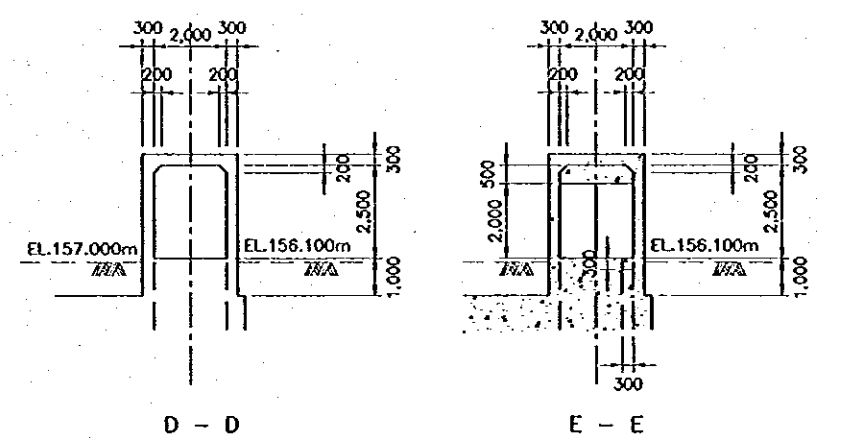
B - B SECTION
SCALE A



LONGITUDINAL PROFILE
SCALE A



DETAIL OF ENTRANCE
SCALE B

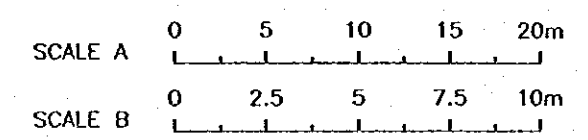


NOTES

1. ALL DIMENSIONS ARE IN MILLIMETERS, UNLESS OTHERWISE NOTED.
2. GALLERY CONCRETE SHALL BE OF TYPE B AS PER SPECIFICATION.

REFERENCE DRAWINGS

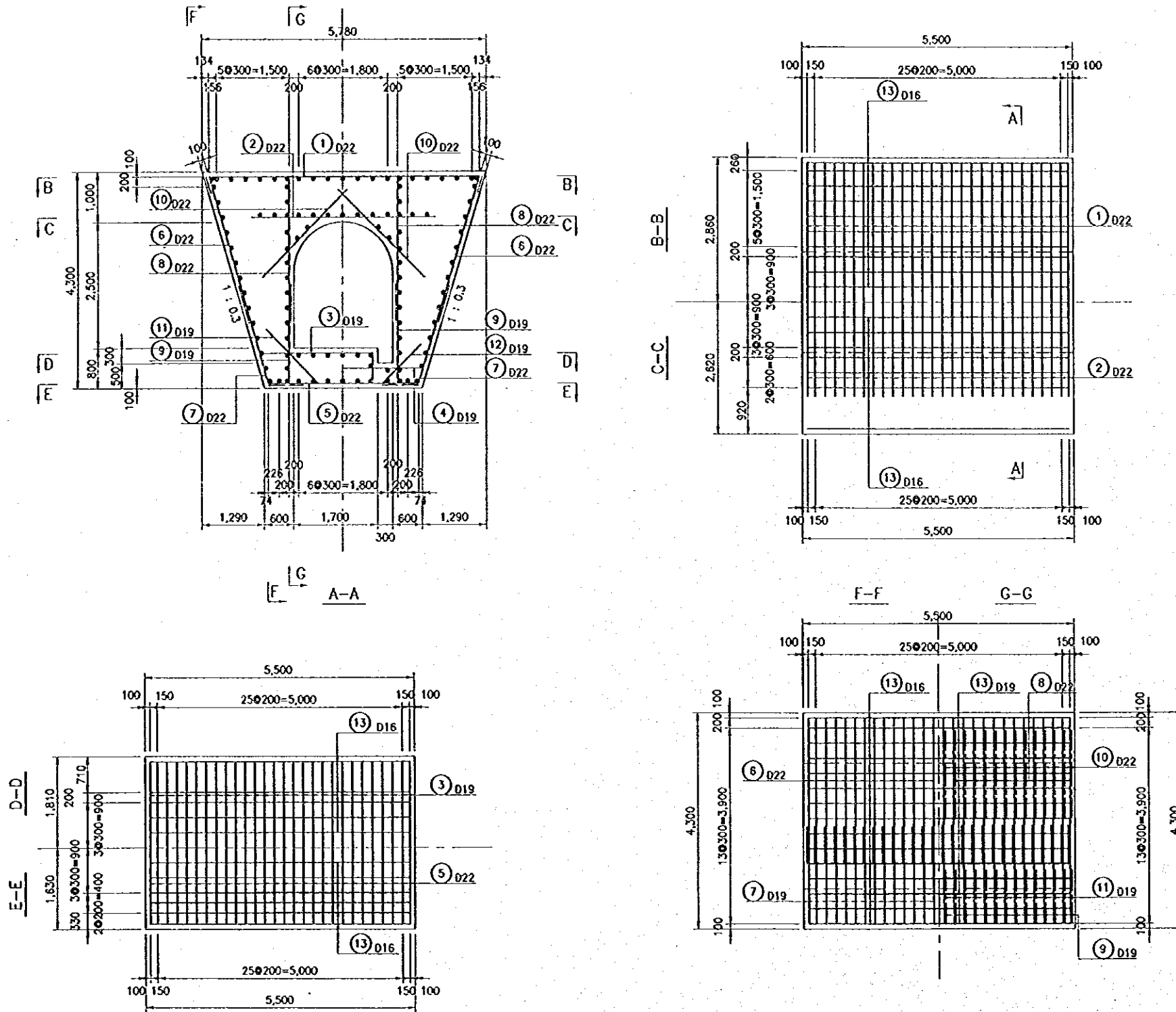
- JD-P1-ED-Ga-1 GALLERY - LAYOUT PLAN AND PROFILE
- JD-P1-ED-Ga-2 GALLERY - STRUCTURAL DETAILS (1/4)



THE REPUBLIC OF INDONESIA MINISTRY OF PUBLIC WORKS DIRECTORATE GENERAL OF WATER RESOURCES DEVELOPMENT AND DIRECTORATE GENERAL OF HUMAN SETTLEMENT		PROVINCE CENTRAL JAVA
PRATUNSELUNA FLOOD CONTROL PROJECT COMPONENT: JATIBARANG DAM CONSTRUCTION EMBANKMENT DAM GALLERY LEFT ENTRANCE		PROJECT NAME FLOOD CONTROL, URBAN DRAINAGE AND WATER RESOURCES DEVELOPMENT IN SURABAYA IN THE REPUBLIC OF INDONESIA
JAPAN INTERNATIONAL COOPERATION AGENCY CHUO KAWASUMI CO. LTD. IN ASSOCIATION WITH PACIFIC CONCRETE & STEEL INDUSTRIES PAKO INTERNATIONAL P.C.		CONTRACT SEMARANG CITY
GROUP OF PLANNING AND DESIGN PROJECT MANAGER		DRAWING NO. JD-P1-ED-Ga-5 SHEET NO. 46
DESIGNED CHECKED APPROVED	DATE	CONTRACT NO.

NO.	DATE	REVISIONS	ORIGINATED	DESIGNED	APPROVED

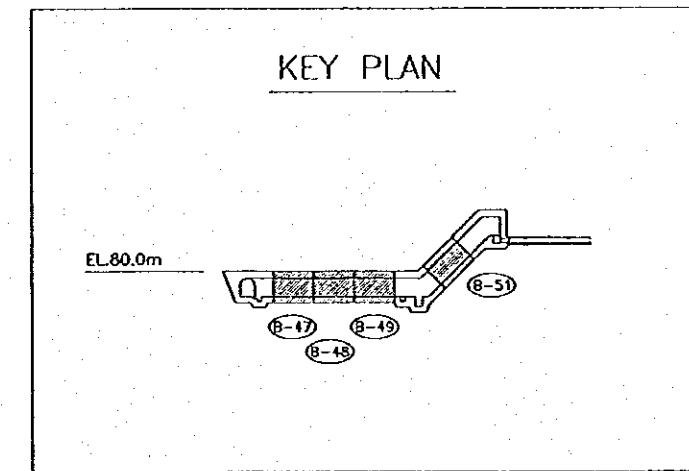
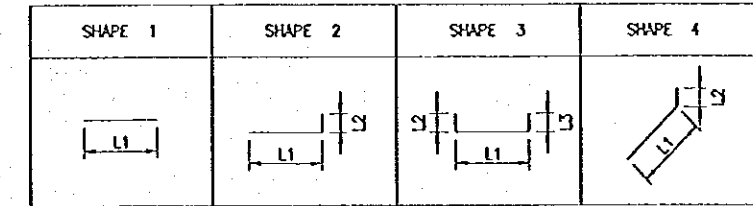
GALLERY REINFORCEMENT BAR ARRANGEMENT (PATTERN I) L=5.5m



BAR WEIGHT FOR GALLERY B-47, B-48, B-49, B-51

BAR NO.	DIA.	NUMBER	LENGTH (mm)			WEIGHT PER "m"	WEIGHT PER BAR	WEIGHT (kg)	SHAPE	
			TOTAL	L1	L2					L3
1	22	28	6,200	5,520	340	340	2.98	18.48	517	3
2	22	28	3,740	3,740			2.98	11.15	312	1
3	19	28	2,910	2,310	600		2.23	6.49	182	2
4	19	28	1,620	1,620			2.23	3.61	101	1
5	22	28	3,060	3,060			2.98	9.12	255	1
6	22	56	3,030	3,030			2.98	9.03	506	1
7	22	56	2,370	2,370	340		2.98	7.06	395	4
8	22	56	2,900	2,900			2.98	8.64	484	1
9	19	56	2,270	2,270	300		2.23	5.06	283	2
10	22	56	2,460	2,460			2.98	7.33	410	1
11	19	28	1,520	1,520			2.23	3.39	95	1
12	19	28	1,100	1,100			2.23	2.45	69	1
13	16	109	5,300	5,300			1.58	8.37	912	1
TOTAL									4,521	

BAR BENDING SCHEDULE



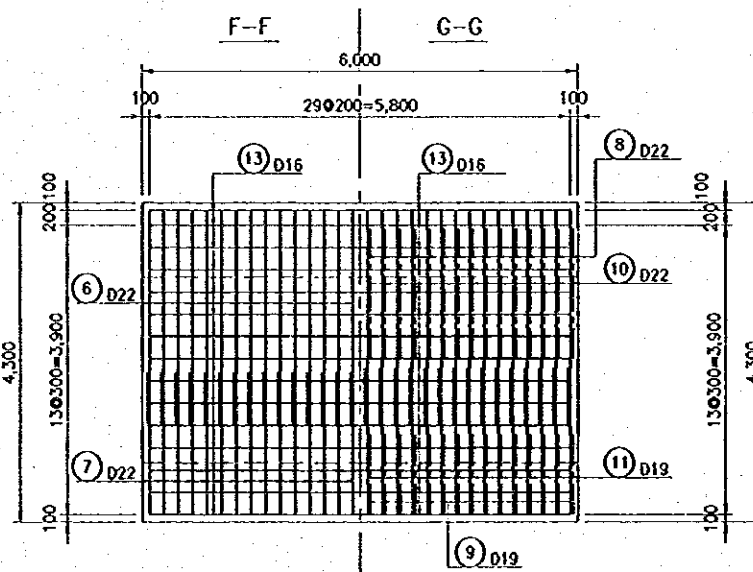
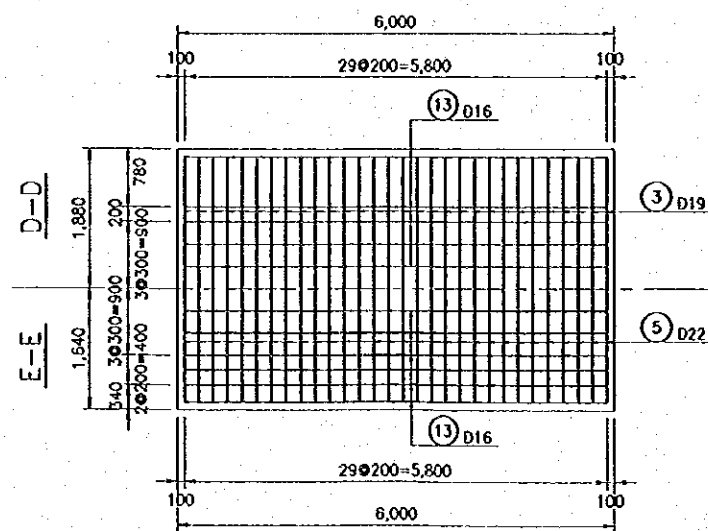
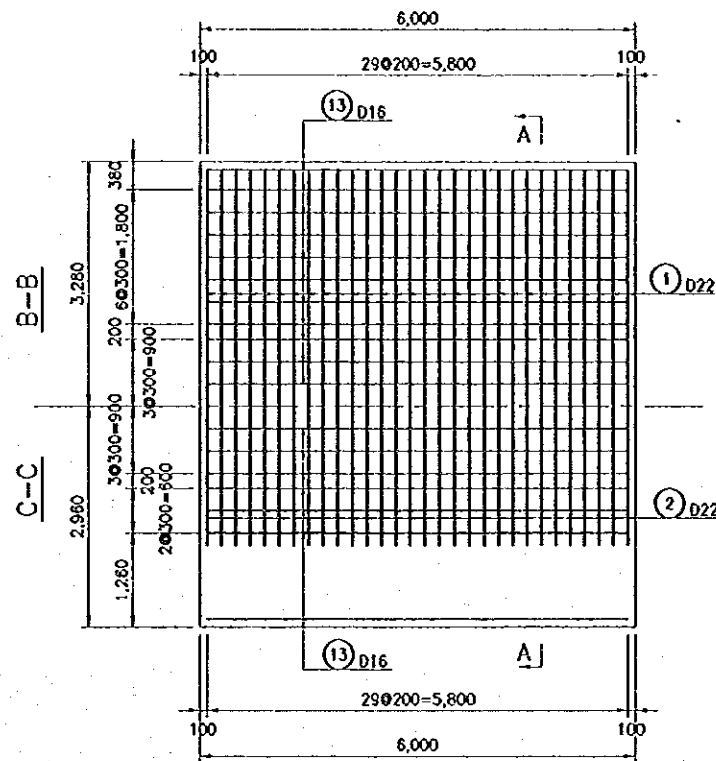
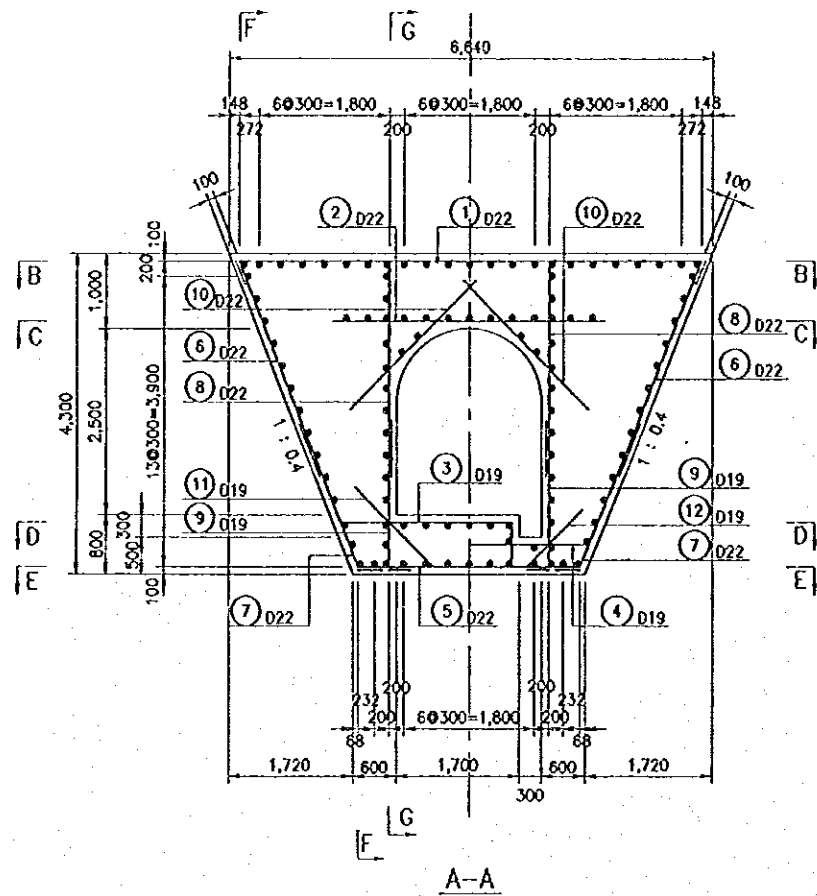
SCALE 0 1 2 3 4 5m

NOTE

1. ALL DIMENSIONS ARE IN MILLIMETERS, UNLESS OTHERWISE NOTED.

THE REPUBLIC OF INDONESIA MINISTRY OF PUBLIC WORKS DIRECTORATE GENERAL OF WATER RESOURCES DEVELOPMENT AND DIRECTORATE GENERAL OF RURAL SETTLEMENT					PROVINCE CENTRAL JAVA	
TRATUNSELUNA FLOOD CONTROL PROJECT COMPONENT : JATIBARANG DAM CONSTRUCTION EMBANKMENT DAM GALLERY REINFORCEMENT DETAILS (1/24)					PROJECT NAME FLOOD CONTROL, URBAN DRAINAGE AND WATER RESOURCES DEVELOPMENT IN SEMARANG IN THE REPUBLIC OF INDONESIA	
ALJAM INTERNATIONAL COOPERATION AGENCY CIE ENGINEERING CO., LTD. IN ASSOCIATION WITH PACIFIC CONSULTANTS INTERNATIONAL FABCO INTERNATIONAL INC.					DISTRICT SEMARANG CITY	
DESIGNED CHECKED CRITIC OF PLANNING AND DESIGN PROJECT MANAGER					DRAWING NO. JD-P1-ED-Rs-1 SHEET NO. 45 DATE CONTRACT NO.	
NO.	DATE	REVISIONS	ORIGINATED	DESIGNED	APPROVED	APPROVED

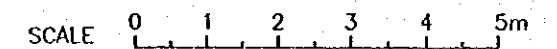
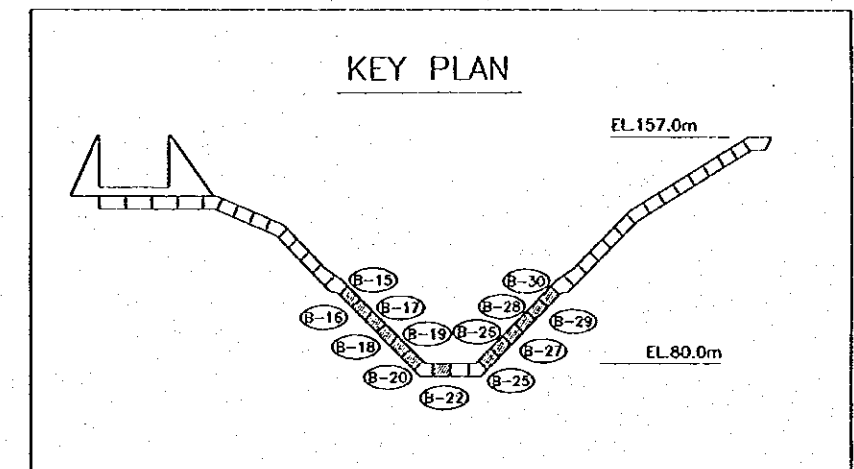
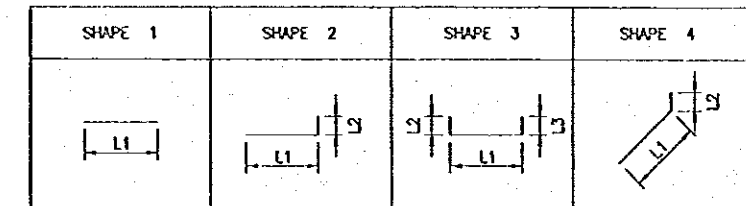
GALLERY REINFORCEMENT BAR ARRANGEMENT (PATTERN I), L=6.0m



BAR WEIGHT FOR GALLERY B-15, B-16, B-17, B-18, B-19
B-20, B-22, B-25, B-26, B-27
B-28, B-29, B-30

BAR NO.	DIA.	NUMBER	LENGTH (mm)			WEIGHT PER 'm'	WEIGHT PER BAR	WEIGHT (kg)	SHAPE		
			TOTAL	L1	L2					L3	
1	22	30	7,030	6,350	340	340	2.98	20.95	629	3	
2	22	30	3,740	3,740			2.98	11.15	335	1	
3	19	30	2,980	2,380	600		2.23	6.65	200	2	
4	19	30	1,660	1,660			2.23	3.70	111	1	
5	22	30	3,070	3,070			2.98	9.15	275	1	
6	22	60	3,130	3,130			2.98	9.33	560	1	
7	22	60	2,410	2,070	340		2.98	7.18	431	4	
8	22	60	2,900	2,900			2.98	8.64	518	1	
9	19	60	2,270	1,970	300		2.23	5.06	304	2	
10	22	60	2,460	2,460			2.98	7.33	440	1	
11	19	30	1,520	1,520			2.23	3.39	102	1	
12	19	30	1,100	1,100			2.23	2.45	74	1	
13	16	111	5,800	5,800			1.58	9.16	1,017	1	
TOTAL										4,996	

BAR BENDING SCHEDULE

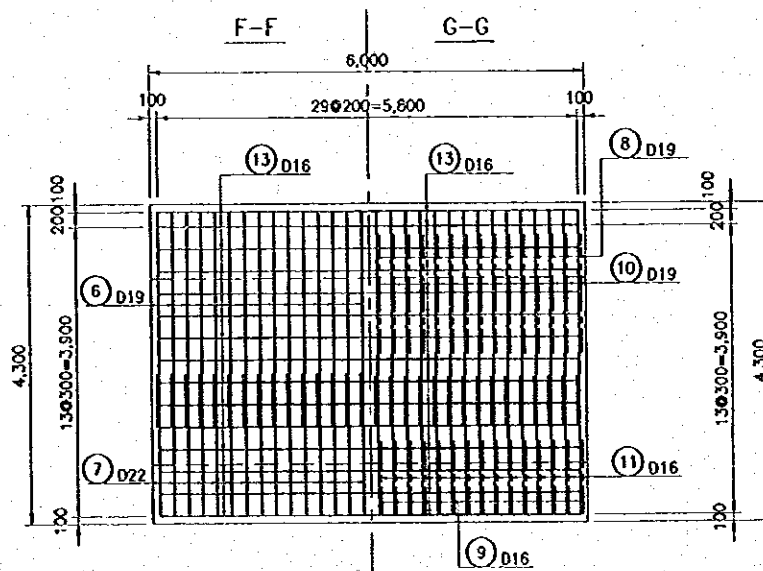
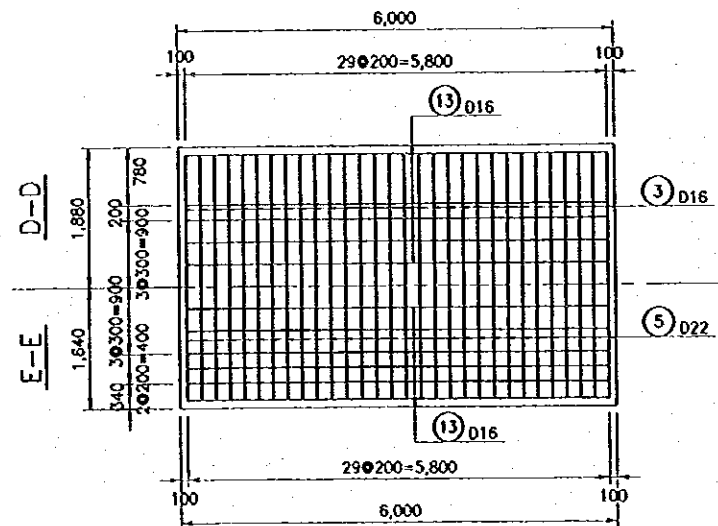
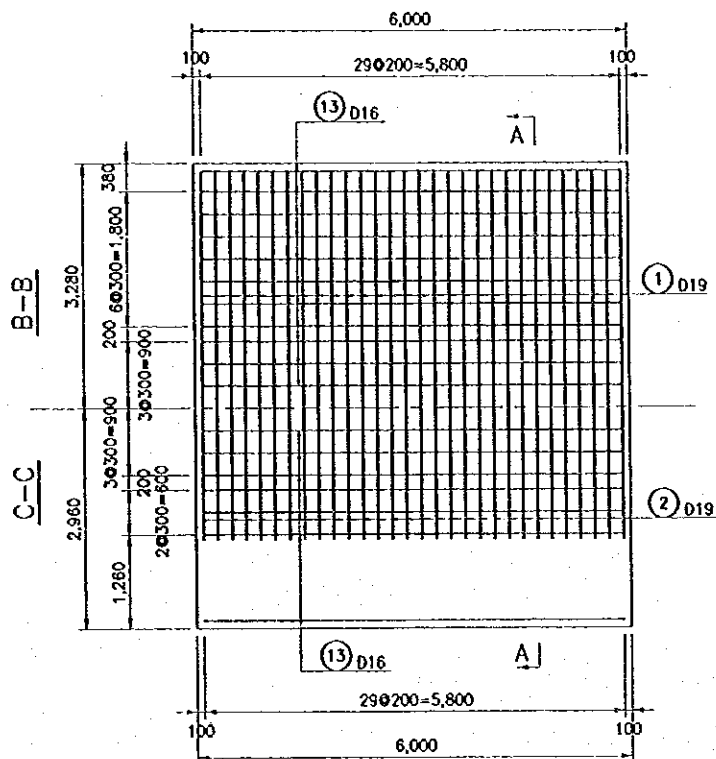
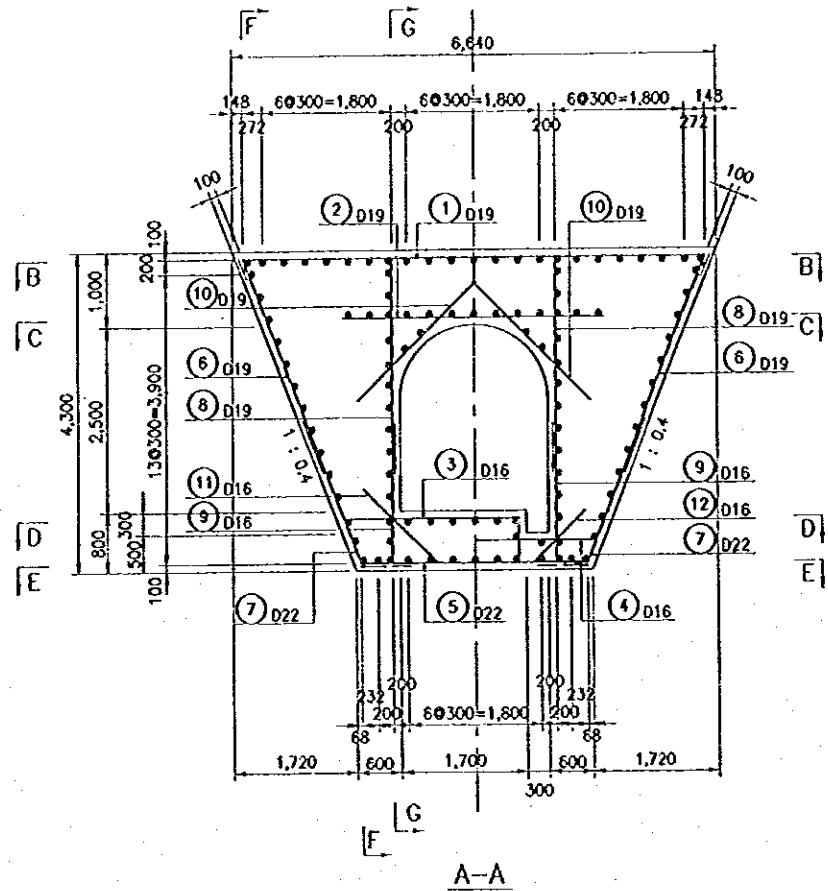


NOTE

1. ALL DIMENSIONS ARE IN MILLIMETERS, UNLESS OTHERWISE NOTED.

THE REPUBLIC OF INDONESIA MINISTRY OF PUBLIC WORKS DIRECTORATE GENERAL OF WATER RESOURCES DEVELOPMENT AND DIRECTORATE GENERAL OF HUMAN SETTLEMENT			PROVINCE CENTRAL JAVA		
JATUNGLUNG FLOOD CONTROL PROJECT COMPONENT: JATUNGLUNG DAM CONSTRUCTION EMBANKMENT DAM GALLERY REINFORCEMENT DETAILS (2/24)			PROJECT NAME FLOOD CONTROL, URBAN DRAINAGE AND WATER RESOURCES DEVELOPMENT IN SEMARANG IN THE REPUBLIC OF INDONESIA		
DAJAN INTERNATIONAL COOPERATION AGENCY CIJ (INDONESIA) CO., LTD. IN ASSOCIATION WITH PACIFIC CONSULTANTS INTERNATIONAL PACIFIC INTERNATIONAL INC.			DISTRICT SEMARANG CITY		
DESIGNED CHECKED			DRAWING NO. JD-P1-ED-Re-2		
APPROVED			SHEET NO. 49		
CHIEF OF PLANNING AND DESIGN			DATE		
PROJECT MANAGER			CONTRACT NO.		

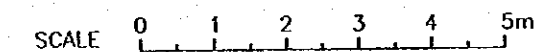
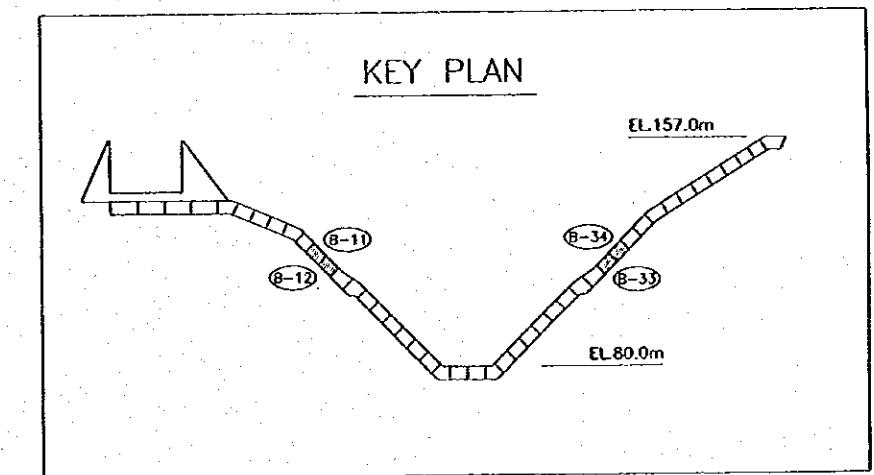
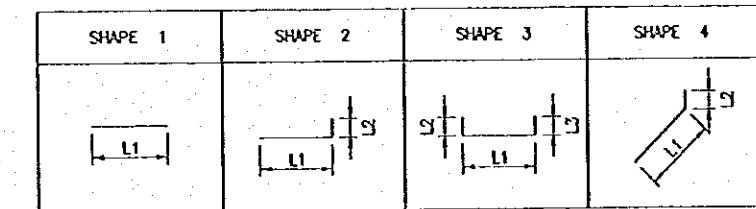
GALLERY REINFORCEMENT BAR ARRANGEMENT (PATTERN II), L=6.0m



BAR WEIGHT FOR GALLERY B-11, B-12, B-33, B-34

BAR NO.	DIA	NUMBER	LENGTH (mm)			WEIGHT PER "m"	WEIGHT PER BAR	WEIGHT (kg)	SHAPE		
			TOTAL	L1	L2					L3	
1	19	30	6,950	6,350	300	300	2.23	15.50	465	3	
2	19	30	3,540	3,540			2.23	7.89	237	1	
3	16	30	2,980	2,380	600		1.58	4.71	141	2	
4	16	30	1,660	1,660			1.58	2.62	79	1	
5	22	30	3,070	3,070			2.98	9.15	275	1	
6	19	60	3,130	3,130			2.23	6.98	419	1	
7	22	60	2,410	2,070	340		2.98	7.18	431	4	
8	19	60	2,900	2,900			2.23	6.47	388	1	
9	16	60	2,120	1,870	250		1.58	3.35	201	2	
10	19	60	2,260	2,260			2.23	5.04	302	1	
11	16	30	1,410	1,410			1.58	2.23	67	1	
12	16	30	990	990			1.58	1.56	47	1	
13	16	111	5,800	5,800			1.58	9.16	1,017	1	
TOTAL										4,069	

BAR BENDING SCHEDULE



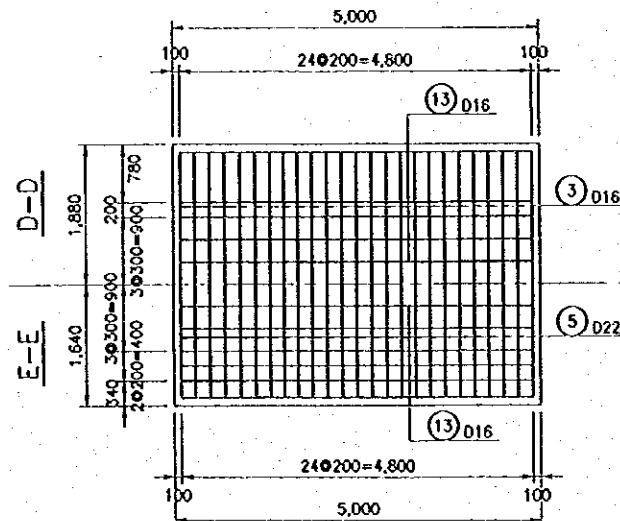
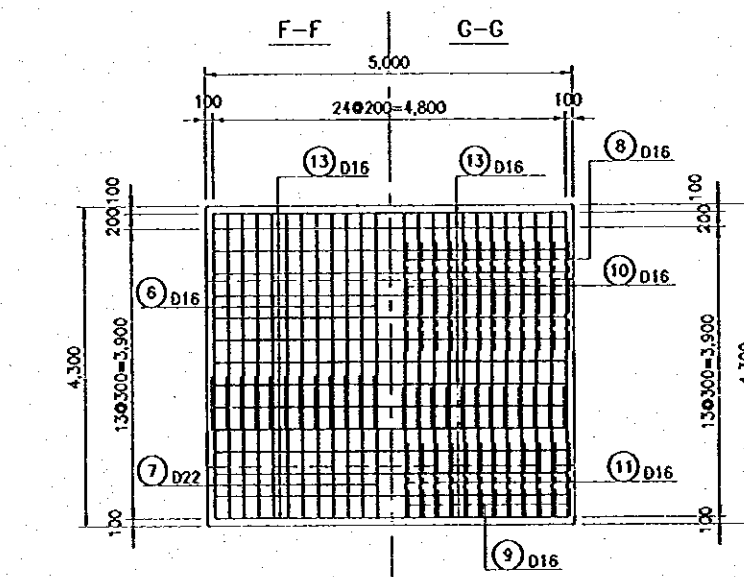
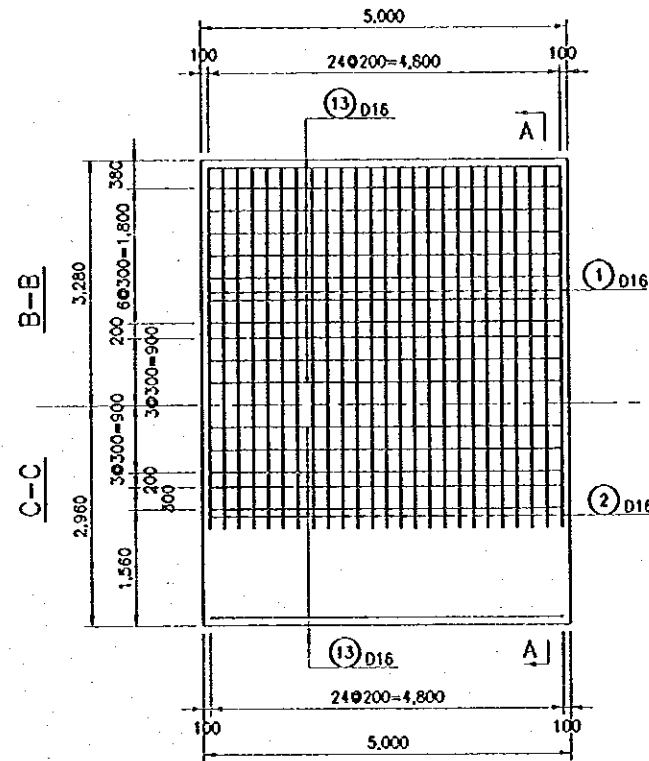
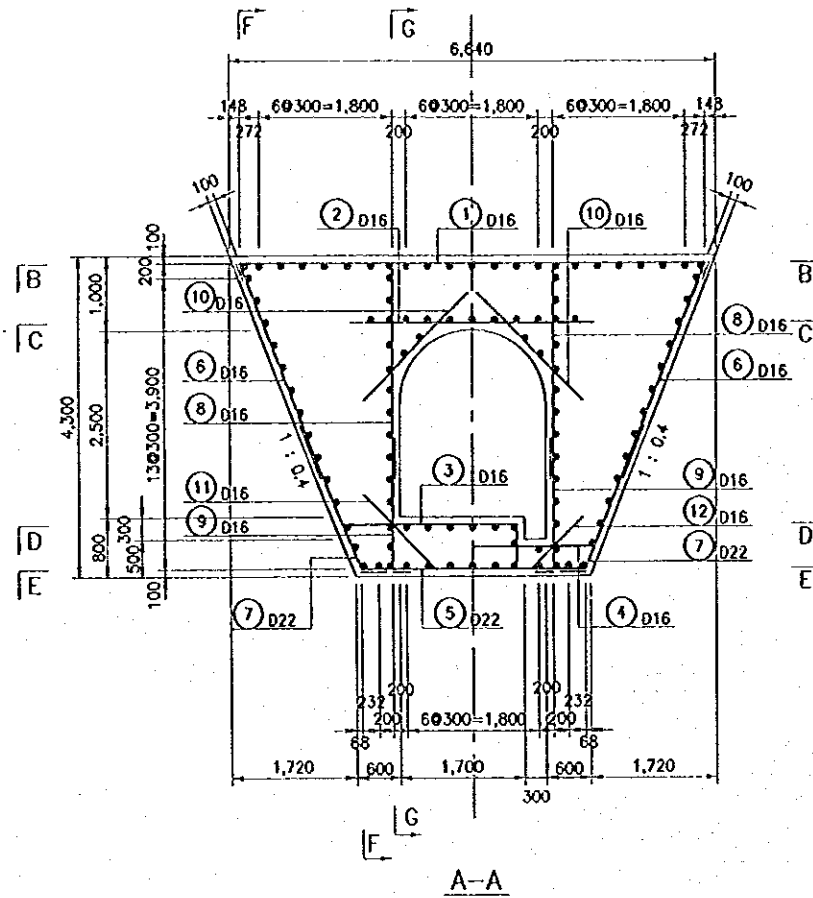
NOTE

1. ALL DIMENSIONS ARE IN MILLIMETERS, UNLESS OTHERWISE NOTED.

NO.	DATE	REVISIONS	ORIGINATED	DESIGNED	APPROVED

THE REPUBLIC OF INDONESIA MINISTRY OF PUBLIC WORKS DIRECTORATE GENERAL OF WATER RESOURCES DEVELOPMENT AND DIRECTORATE GENERAL OF HUMAN SETTLEMENT DIATUNSELUNA FLOOD CONTROL PROJECT COMPONENT : JATIBARANG DAM CONSTRUCTION EMBANKMENT DAM GALLERY REINFORCEMENT DETAILS (3/24)		PROVINCE CENTRAL JAVA PROJECT NAME FLOOD CONTROL, URBAN DRAINAGE AND WATER RESOURCES DEVELOPMENT IN SOREANG IN THE REPUBLIC OF INDONESIA DISTRICT SEMARANG CITY DRAWING NO. JO-P1-ED-R4-3 SHEET NO. 50
IAFOR INTERNATIONAL COOPERATION AGENCY CH. SUDHARNO CO., LTD. IN ASSOCIATION WITH PACIFIC CONSULTANTS INTERNATIONAL IAFOR INTERNATIONAL INC.	DESIGNED CHECKED APPROVED	DATE CONTRACT NO.

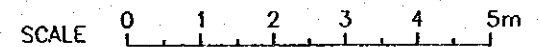
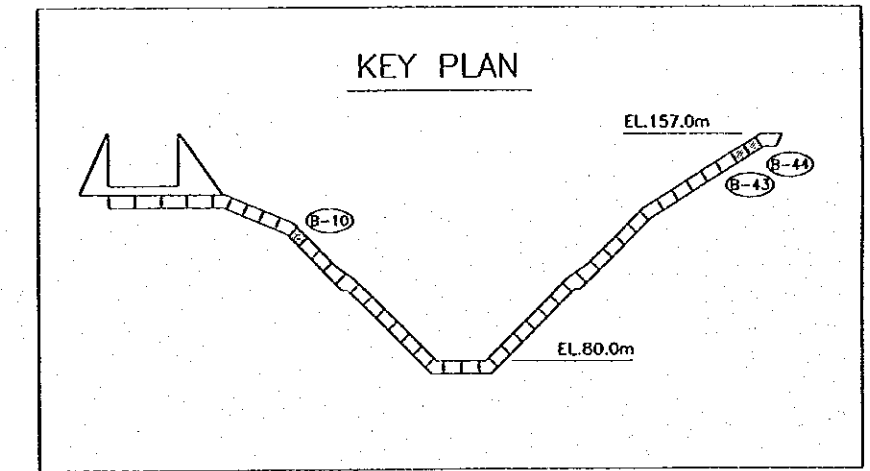
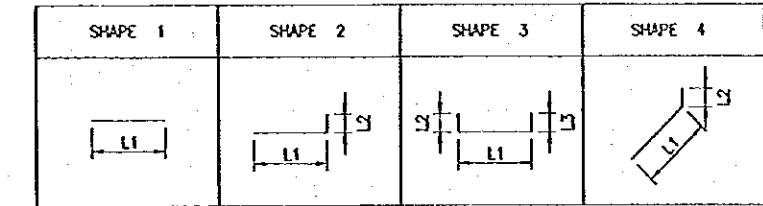
GALLERY REINFORCEMENT BAR ARRANGEMENT (PATTERN III), L=5.0m



BAR WEIGHT FOR GALLERY B-10, B-43, B-44

BAR NO.	DA	NUMBER	LENGTH (mm)			WEIGHT PER "m"	WEIGHT PER BAR	WEIGHT (kg)	SHAPE		
			TOTAL	L1	L2					L3	
1	16	25	6,850	6,350	250	250	1.58	10.82	271	3	
2	16	25	3,320	3,320			1.58	5.25	131	1	
3	16	25	2,980	2,380	600		1.58	4.71	118	2	
4	16	25	1,660	1,660			1.58	2.62	66	1	
5	22	25	3,070	3,070			2.98	9.15	229	1	
6	16	50	3,130	3,130			1.58	4.95	248	1	
7	22	50	2,410	2,070	340		2.98	7.18	359	4	
8	16	50	2,900	2,900			1.58	4.58	229	1	
9	16	50	2,010	1,760	250		1.58	3.18	159	2	
10	16	50	2,040	2,040			1.58	3.22	161	1	
11	16	25	1,410	1,410			1.58	2.23	56	1	
12	16	25	990	990			1.58	1.56	39	1	
13	16	109	5,800	5,800			1.58	7.58	826	1	
TOTAL										2,892	

BAR BENDING SCHEDULE



NOTE

1. ALL DIMENSIONS ARE IN MILLIMETERS, UNLESS OTHERWISE NOTED.

NO.	DATE	REVISIONS	ORIGINATED	DESIGNED	APPROVED

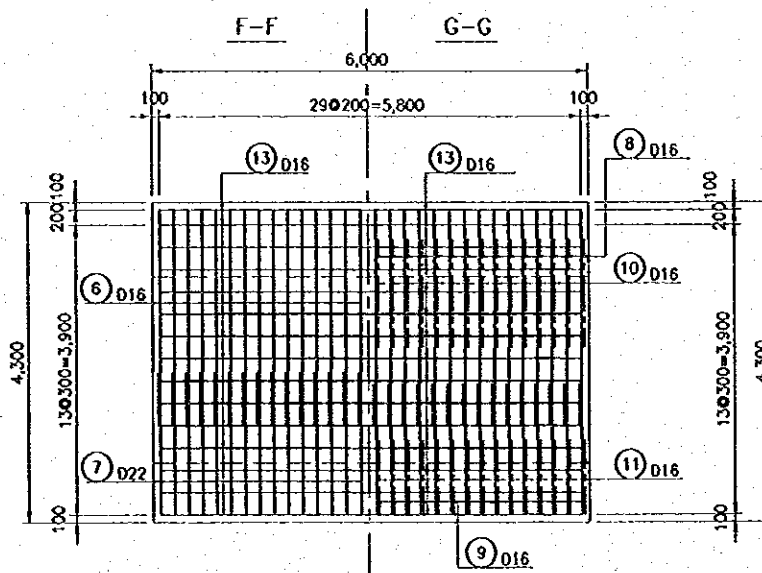
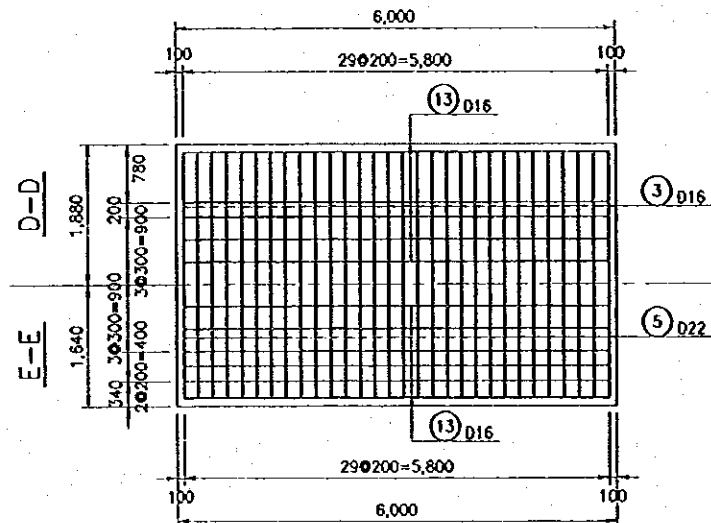
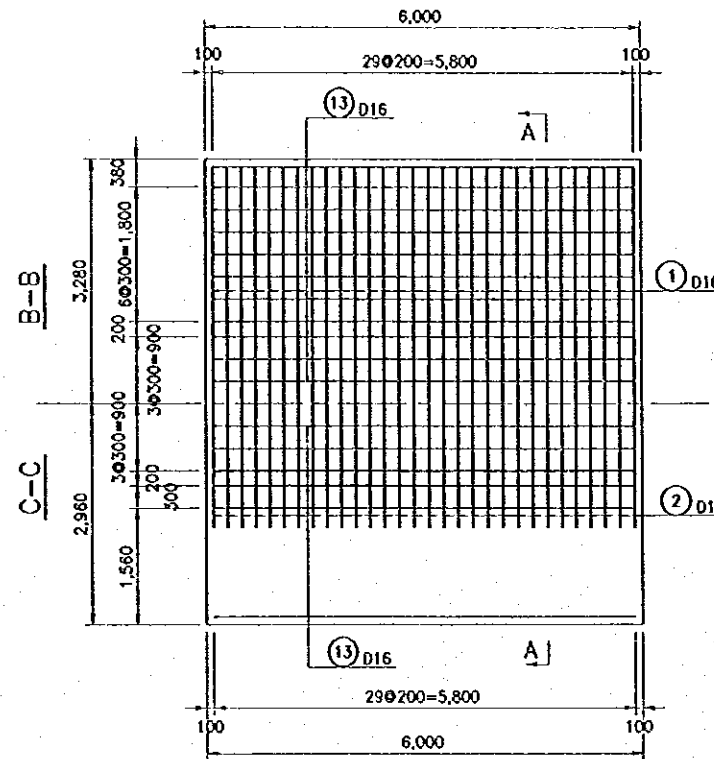
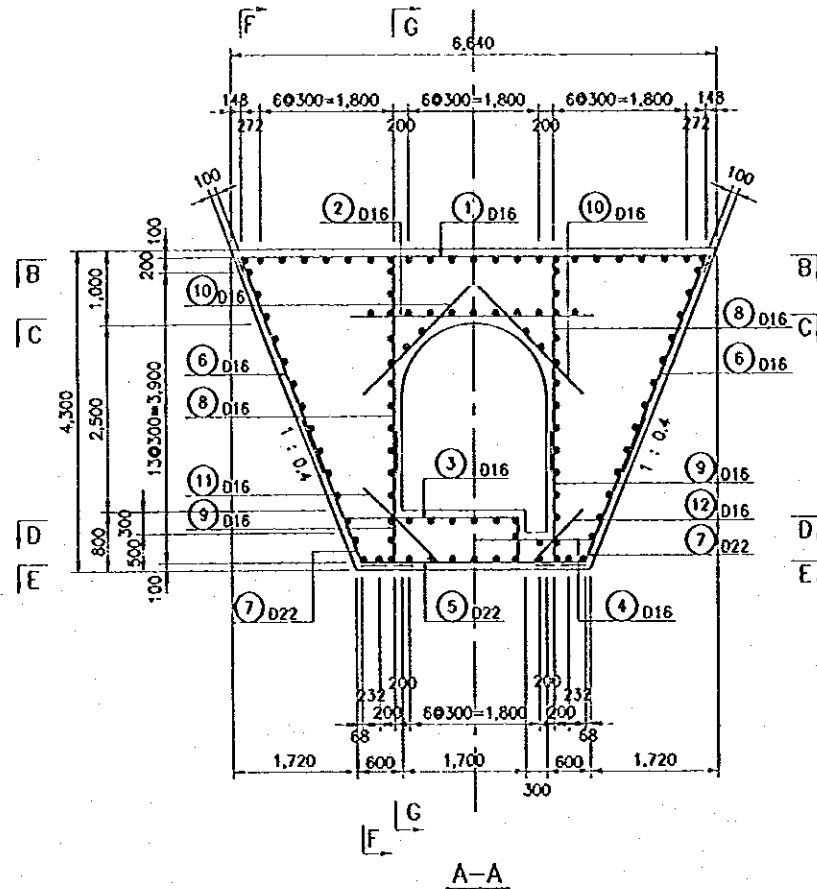
THE REPUBLIC OF INDONESIA
 MINISTRY OF PUBLIC WORKS
 DIRECTORATE GENERAL OF WATER RESOURCES DEVELOPMENT AND DIRECTORATE GENERAL OF HUMAN SETTLEMENT
 JATUNSELUNA FLOOD CONTROL PROJECT
 COMPONENT: JATIBARANG DAM CONSTRUCTION
 EMBANKMENT DAM
 GALLERY
 REINFORCEMENT DETAILS (4/24)

SAJAN INTERNATIONAL COOPERATION AGENCY
 CTE ENGINEERING CO., LTD. IN ASSOCIATION WITH
 PACIFIC CONSULTANTS INTERNATIONAL
 PAKSI INTERNATIONAL INC.

DESIGNED: [Signature]
 CHECKED: [Signature]
 DATE: [Date]
 PROJECT MANAGER: [Signature]

REGION: CENTRAL JAVA
 PROJECT NAME: FLOOD CONTROL, URBAN DRAINAGE AND WATER RESOURCES DEVELOPMENT IN SEMARANG IN THE REPUBLIC OF INDONESIA
 DISTRICT: SEMARANG CITY
 DRAWING NO. JO-P1-ED-R6-4
 SHEET NO. 51
 DATE: [Date]
 CONTRACT NO.: [Number]

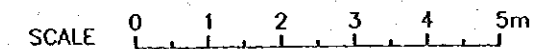
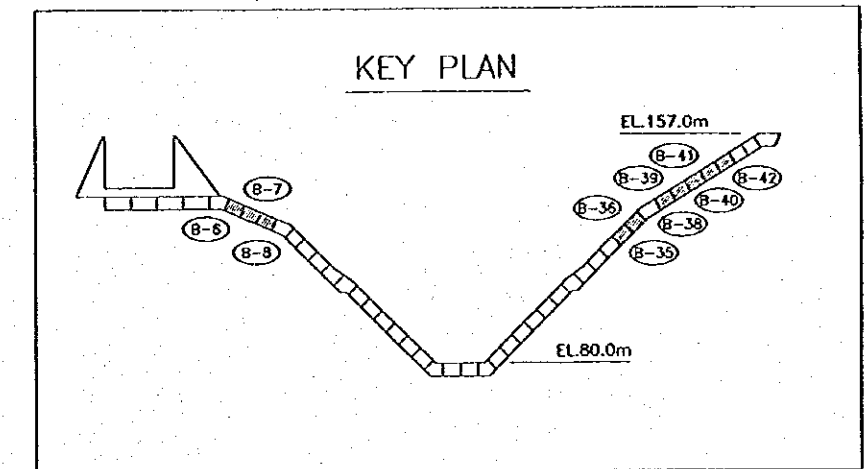
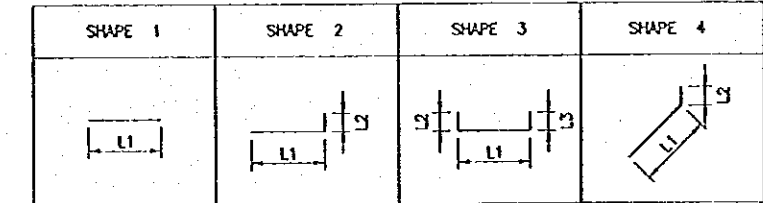
GALLERY REINFORCEMENT BAR ARRANGEMENT (PATTERN III), L=6.0m



BAR WEIGHT FOR GALLERY B-6, B-7, B-8, B-35, B-36, B-38, B-39, B-40, B-41, B-42

BAR NO.	DIA.	NUMBER	LENGTH (mm)			WEIGHT PER "m"	WEIGHT PER BAR	WEIGHT (kg)	SHAPE		
			TOTAL	L1	L2					L3	
1	16	30	6,850	6,350	250	250	1.58	10.82	325	3	
2	16	30	3,320	3,320			1.58	5.25	158	1	
3	16	30	2,980	2,380	600		1.58	4.71	141	2	
4	16	30	1,660	1,660			1.58	2.62	79	1	
5	22	30	3,070	3,070			2.98	9.15	275	1	
6	16	60	3,130	3,130			1.58	4.95	297	1	
7	22	60	2,410	2,070	340		2.98	7.18	431	4	
8	16	60	2,900	2,900			1.58	4.58	275	1	
9	16	60	2,010	1,760	250		1.58	3.18	191	2	
10	16	60	2,040	2,040			1.58	3.22	193	1	
11	16	30	1,410	1,410			1.58	2.23	67	1	
12	16	30	990	990			1.58	1.56	47	1	
13	16	109	5,800	5,800			1.58	9.16	998	1	
TOTAL									3,477		

BAR BENDING SCHEDULE

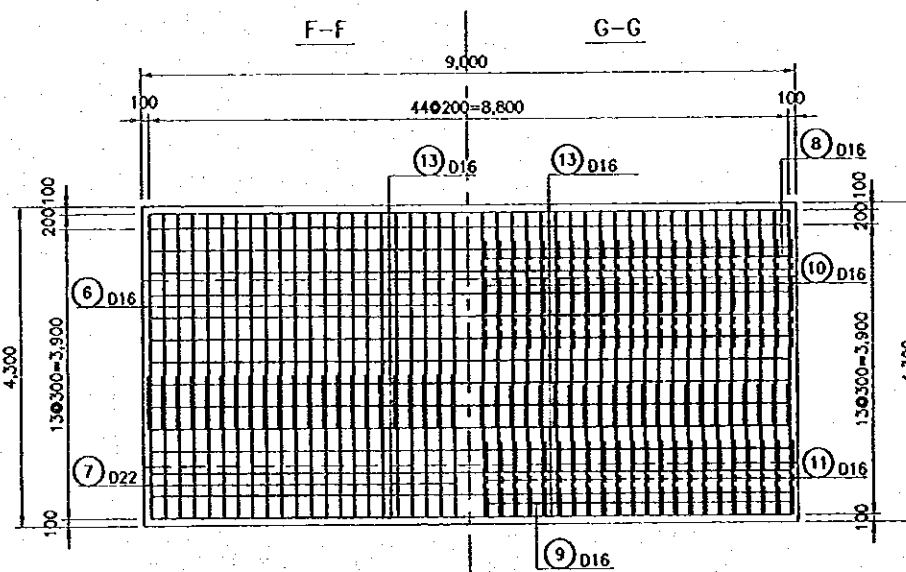
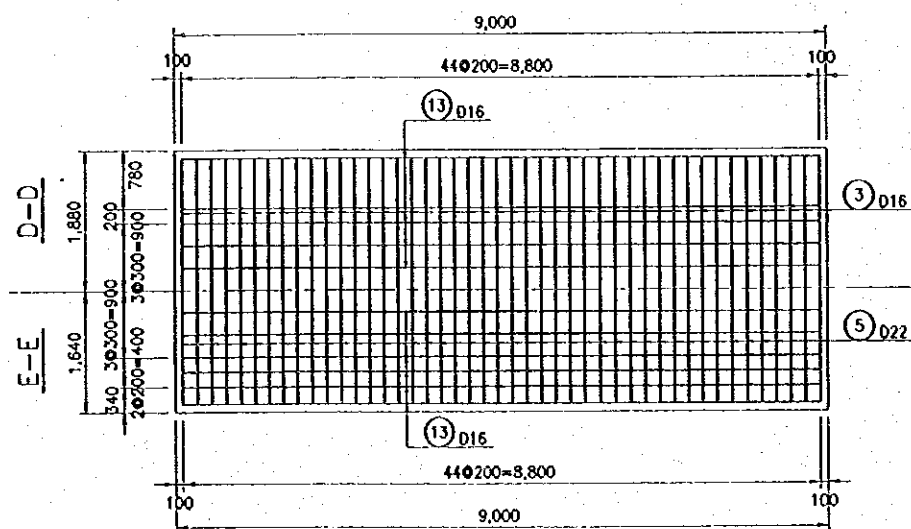
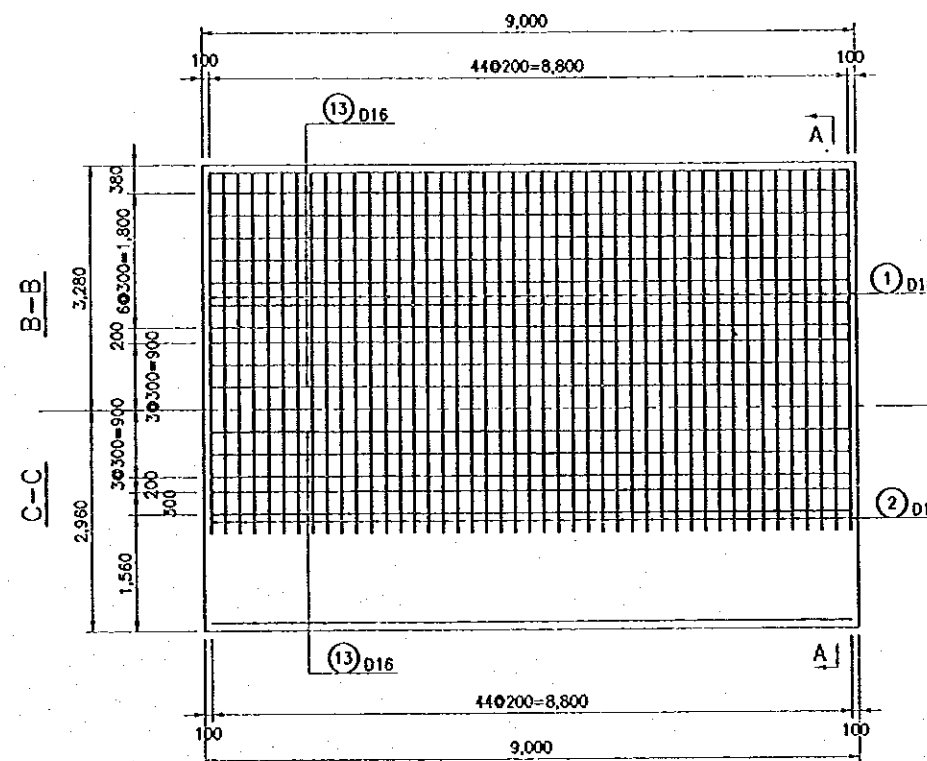
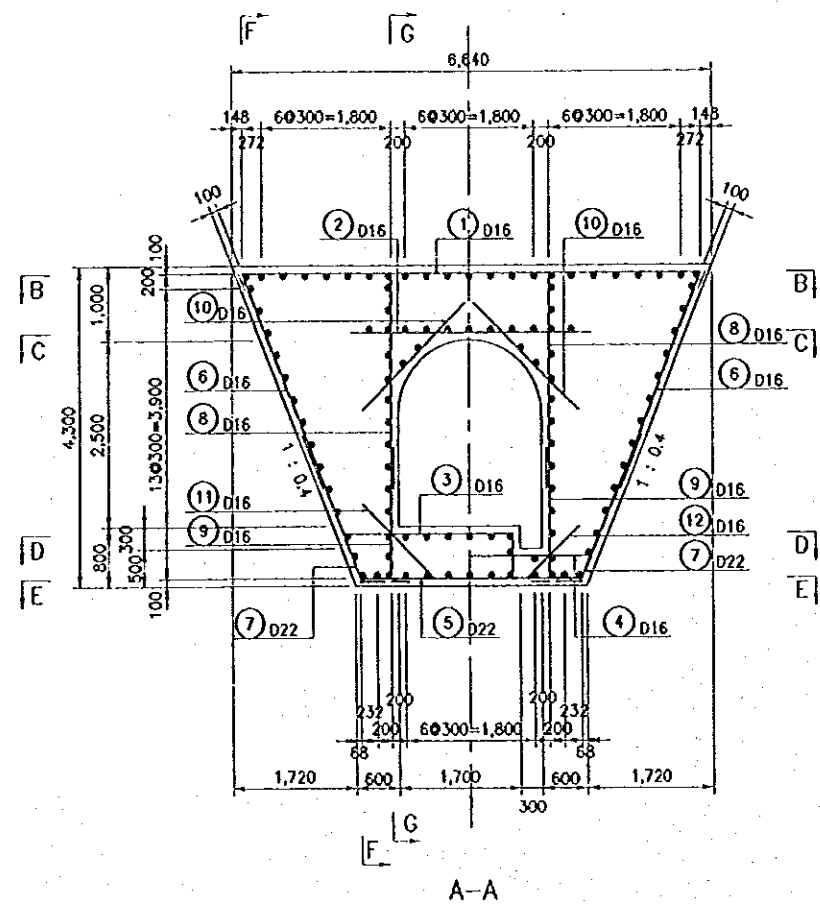


NOTE

1. ALL DIMENSIONS ARE IN MILLIMETERS, UNLESS OTHERWISE NOTED.

THE REPUBLIC OF INDONESIA MINISTRY OF PUBLIC WORKS DIRECTORATE GENERAL OF WATER RESOURCES DEVELOPMENT AND DIRECTORATE GENERAL OF HUMAN SETTLEMENT IRATUNSELUNA FLOOD CONTROL PROJECT COMPONENT: IATBARANG DAM CONSTRUCTION EMBANKMENT DAM GALLERY REINFORCEMENT DETAILS (5/24)				PROVINCE: CENTRAL JAVA PROJECT NAME: FLOOD CONTROL, URBAN DRAINAGE AND WATER RESOURCES DEVELOPMENT IN SEMARANG IN THE REPUBLIC OF INDONESIA DISTRICT: SEMARANG CITY DRAWING NO. JD-PI-ED-Re-5 SHEET NO. 52 DATE: _____ CONTRACT NO. _____		
SAHAR INTERNATIONAL COOPERATION AGENCY CIL ENGINEERING CO., LTD. IN ASSOCIATION WITH PACIFIC CONSULTANTS INTERNATIONAL TARKO INTERNATIONAL INC. CHIEF OF PLANNING AND DESIGN PROJECT MANAGER				DESIGNED: _____ CHECKED: _____	DATE: _____ CONTRACT NO. _____	
NO.	DATE	REVISIONS	ORIGINATED	DESIGNED	APPROVED	APPROVED

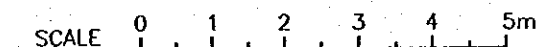
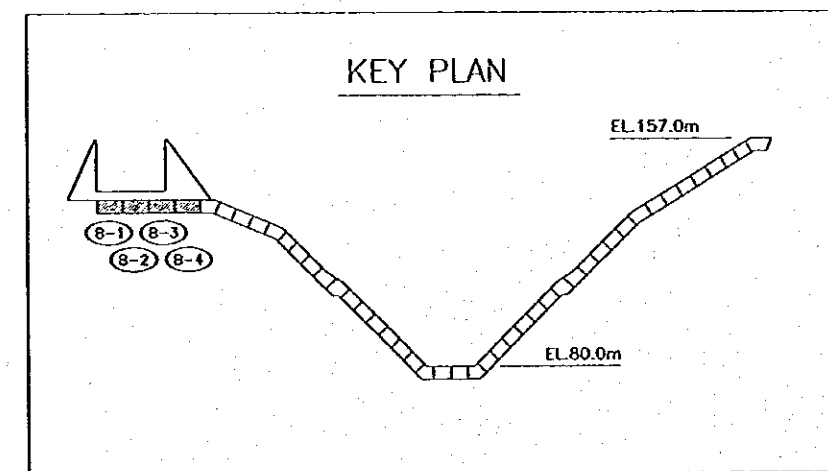
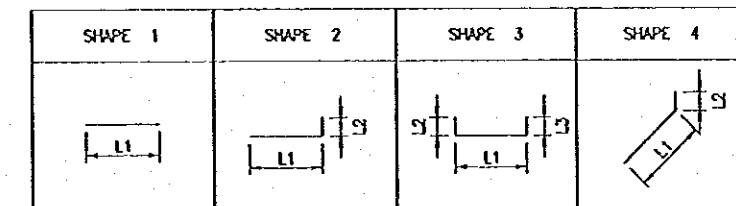
GALLERY REINFORCEMENT BAR ARRANGEMENT (PATTERN III), L=9.0m



BAR WEIGHT FOR GALLERY B-1, B-2, B-3, B-4

BAR NO.	DIA	NUMBER	LENGTH (mm)			WEIGHT PER "m"	WEIGHT PER BAR	WEIGHT (kg)	SHAPE		
			TOTAL	L1	L2					L3	
1	16	45	6,850	6,350	250	250	1.58	10.82	487	3	
2	16	45	3,320	3,320			1.58	5.25	236	1	
3	16	45	2,980	2,380	600		1.58	4.71	212	2	
4	16	45	1,660	1,660			1.58	2.62	118	1	
5	22	45	3,070	3,070			2.98	9.15	412	1	
6	16	90	3,130	3,130			1.58	4.95	446	1	
7	22	90	2,410	2,070	340		2.98	7.18	646	4	
8	16	90	2,900	2,900			1.58	4.58	412	1	
9	16	90	2,010	1,760	250		1.58	3.18	286	2	
10	16	90	2,040	2,040			1.58	3.22	290	1	
11	16	45	1,410	1,410			1.58	2.23	100	1	
12	16	45	990	990			1.58	1.56	70	1	
13	16	109	8,800	8,800			1.58	13.90	1,515	1	
TOTAL										5,230	

BAR BENDING SCHEDULE



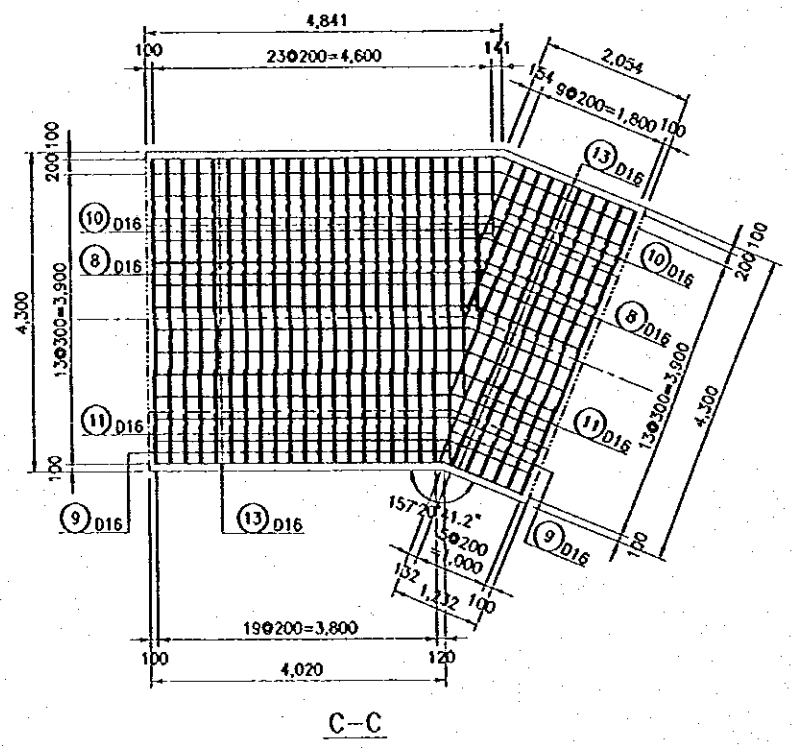
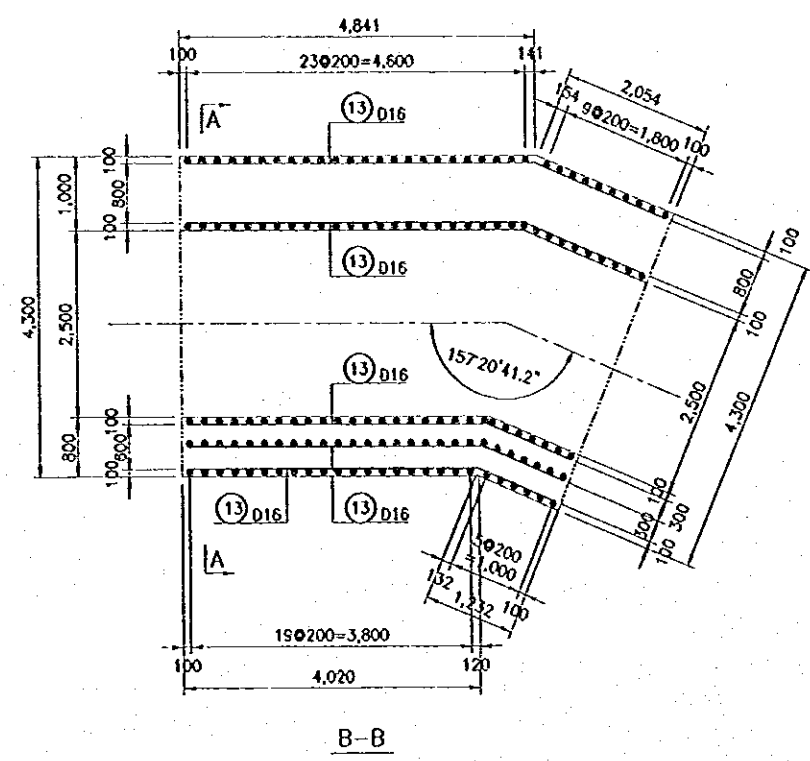
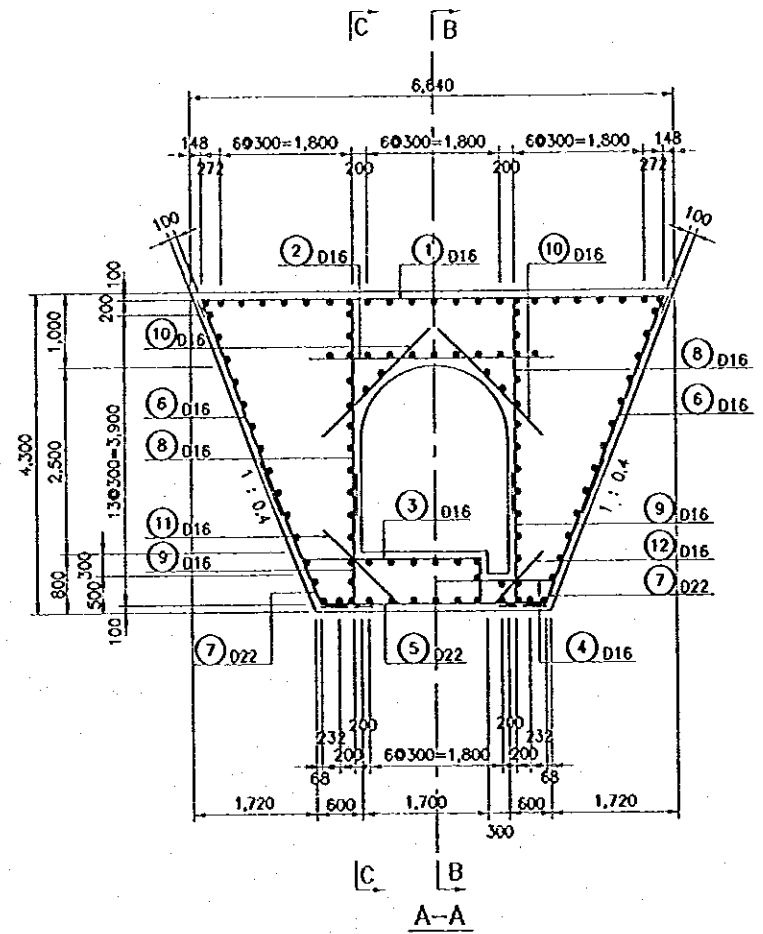
NOTE

1. ALL DIMENSIONS ARE IN MILLIMETERS, UNLESS OTHERWISE NOTED.

NO.	DATE	REVISIONS	ORDINAIRE	DESIGNED	APPROVED

THE REPUBLIC OF INDONESIA MINISTRY OF PUBLIC WORKS DIRECTORATE GENERAL OF WATER RESOURCES DEVELOPMENT AND DIRECTORATE GENERAL OF HUMAN SETTLEMENT		PROVIDER CENTRAL JAWA
JATUNSELUNA FLOOD CONTROL PROJECT COMPONENT : JATIBARANG DAM CONSTRUCTION EMBANKMENT DAM GALLERY REINFORCEMENT DETAILS (6/24)		PROJECT NAME FLOOD CONTROL, URBAN DRAINAGE AND WATER RESOURCES DEVELOPMENT OF SURABAYA IN THE REPUBLIC OF INDONESIA
OJAN INTERNATIONAL COOPERATION AGENCY CID ENGINEERING CO. LTD. IN ASSOCIATION WITH PACIFIC CONSULTANTS INTERNATIONAL PACIFIC INTERNATIONAL INC.		DISTRICT SEMARANG CITY
ORDER OF PLANNING AND DESIGN PROJECT MANAGER		DRAWING NO. JD-PI-ED-Re-6 REVISION NO. 53
DESIGNED CHECKED	DATE	CONTRACT NO.

GALLERY REINFORCEMENT BAR ARRANGEMENT (PATTERN III), BLOCK 5

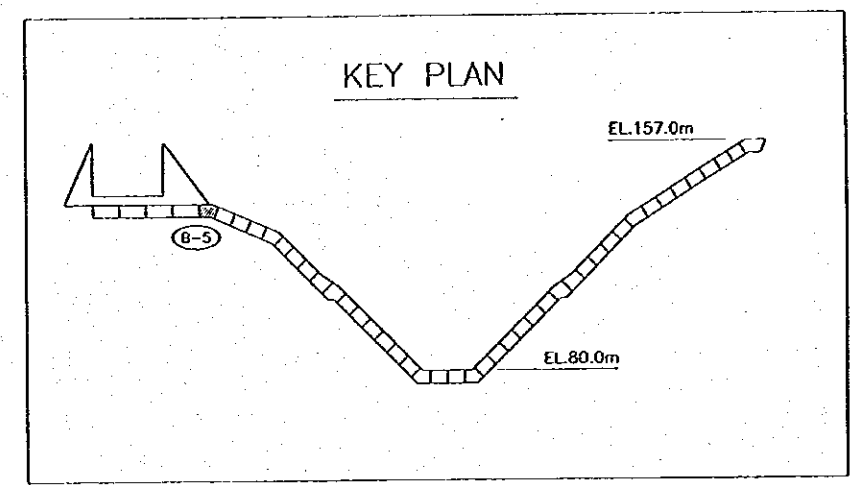
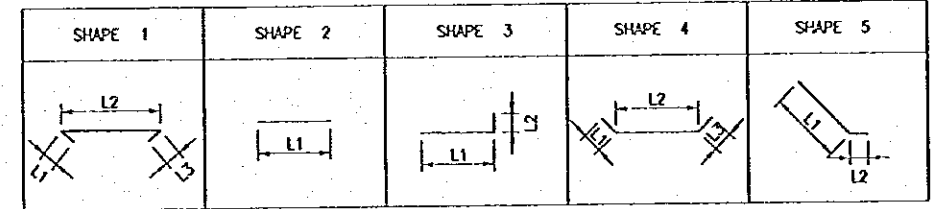


BAR WEIGHT FOR GALLERY B-5

BAR NO.	DIA	NUMBER	LENGTH (mm)			WEIGHT PER "m" (kg)	WEIGHT PER BAR (kg)	WEIGHT (kg)	SHAPE	
			TOTAL	L1	L2					L3
1	16	34	6,850	250	6,350	250	1,580	10,823	368	1
2	16	33	3,320	3,320			1,580	5,245	173	2
3	16	28	2,980	2,380	600		1,580	4,708	132	3
4	16	27	1,660	1,660			1,580	2,623	71	2
5	22	26	3,750	340	3,070	340	2,980	11,175	291	4
6	16	68	3,130	3,130			1,580	4,945	335	2
7	22	52	2,410	2,070	340		2,980	7,182	373	5
8	16	68	2,900	2,900			1,580	4,582	312	2
9	16	58	2,010	1,760	250		1,580	3,176	184	3
10	16	64	2,040	2,040			1,580	3,223	206	2
11	16	26	1,410	1,410			1,580	2,228	58	2
12	16	26	990	990			1,580	1,564	41	2
13	16	109	5,890	4,340*	1,550*		1,580	9,306	1,014	5
						TOTAL			3,559	

NOTE: NUMBER HAVING SIGN "*" IS AVERAGE.

BAR BENDING SCHEDULE

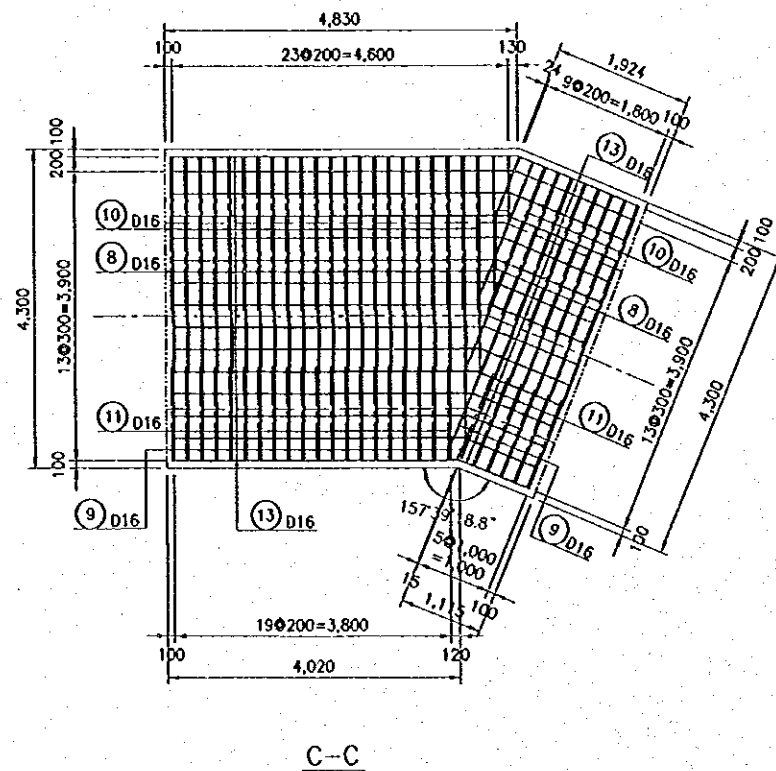
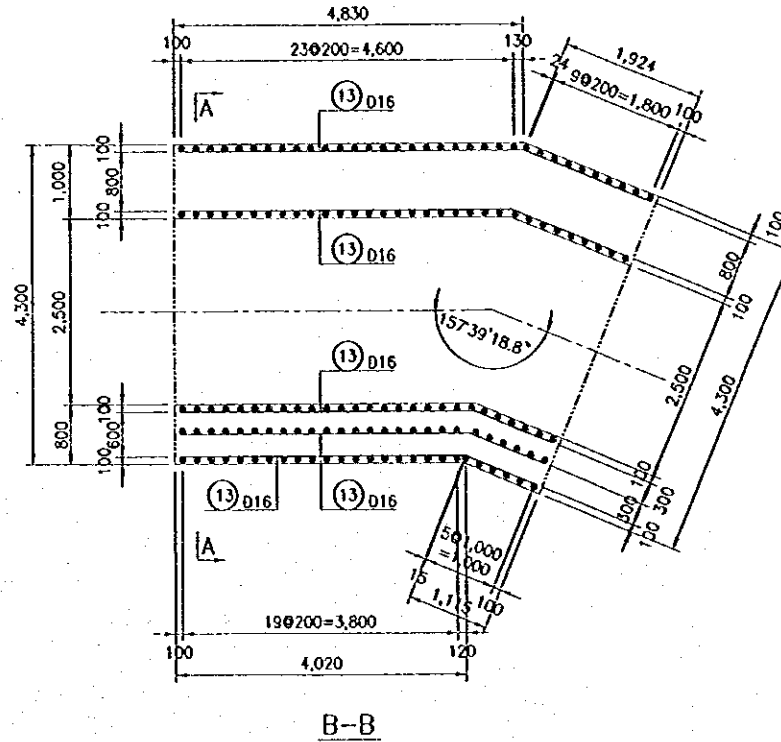
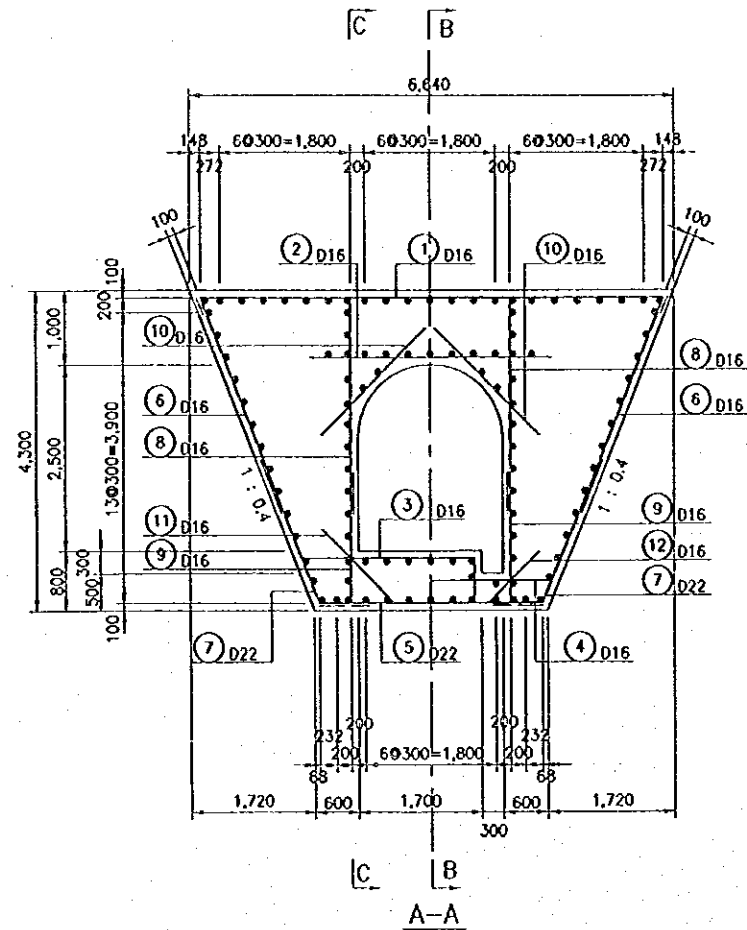


SCALE 0 1 2 3 4 5m

NOTE
1. ALL DIMENSIONS ARE IN MILLIMETERS, UNLESS OTHERWISE NOTED.

THE REPUBLIC OF INDONESIA MINISTRY OF PUBLIC WORKS DIRECTORATE GENERAL OF WATER RESOURCES DEVELOPMENT AND DIRECTORATE GENERAL OF HUMAN SETTLEMENT					PROJECT: CENTRAL JAWA PROJECT NAME: FLOOD CONTROL, URBAN DRAINAGE AND WATER INFRASTRUCTURE DEVELOPMENT IN SEMARANG BY THE REPUBLIC OF INDONESIA DISTRICT	
JRATUNSELUNA FLOOD CONTROL PROJECT COMPONENT: JATIBARANG DAM CONSTRUCTION EMBANKMENT DAM GALLERY REINFORCEMENT DETAILS (7/24)					SEMARANG CITY DRAWING NO. JO-PI-ED-Re-7 SHEET NO. 54	
DESIGNER: [Signature] CHECKED: [Signature] APPROVED: [Signature]					DATE: [Date] CONTRACT NO. [Number]	
NO.	DATE	REVISIONS	ORIGINATED	DESIGNED	APPROVED	

GALLERY REINFORCEMENT BAR ARRANGEMENT (PATTERN III), BLOCK 9

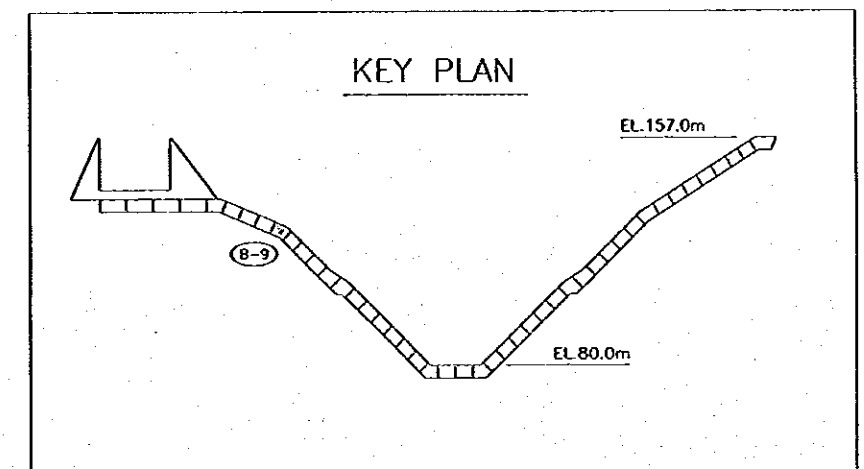
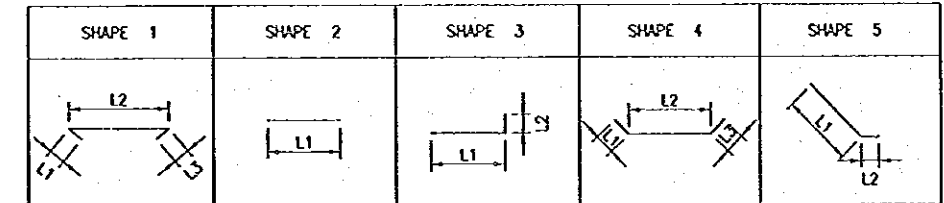


BAR WEIGHT FOR GALLERY B-9

BAR NO.	DIA	NUMBER	LENGTH (mm)			WEIGHT PER "m" (kg)	WEIGHT PER BAR (kg)	WEIGHT (kg)	SHAPE	
			TOTAL	L1	L2					L3
1	16	34	6,850	250	6,350	250	1,580	10,823	368	1
2	16	32	3,320	3,320			1,580	5,246	168	2
3	16	27	2,980	2,330	600		1,580	4,708	127	3
4	16	26	1,660	1,660			1,580	2,623	68	2
5	22	26	3,750	340	3,070	340	2,980	11,175	291	4
6	16	68	3,130	3,130			1,580	4,945	336	2
7	22	54	2,410	2,070	340		2,980	7,182	388	5
8	16	68	2,900	2,900			1,580	4,582	312	2
9	16	56	2,010	1,760	250		1,580	3,176	178	3
10	16	60	2,040	2,040			1,580	3,223	193	2
11	16	26	1,410	1,410			1,580	2,228	58	2
12	16	26	990	990			1,580	1,564	41	2
13	16	109	5,750	4,330*	1,420*		1,580	9,085	990	5
							TOTAL		3,518	

NOTE: NUMBER HAVING SIGN "*" IS AVERAGE.

BAR BENDING SCHEDULE



SCALE 0 1 2 3 4 5m

NOTE

1. ALL DIMENSIONS ARE IN MILLIMETERS, UNLESS OTHERWISE NOTED.

NO.	DATE	REVISIONS	ORIGINATED	DESIGNED	APPROVED	APPROVED

THE REPUBLIC OF INDONESIA MINISTRY OF PUBLIC WORKS DIRECTORATE GENERAL OF WATER RESOURCES DEVELOPMENT AND DIRECTORATE GENERAL OF HUMAN SETTLEMENT JATISSELUNA FLOOD CONTROL PROJECT COMPONENT: JATIBARANG DAM CONSTRUCTION EMBANKMENT DAM GALLERY REINFORCEMENT DETAILS (8/24)		PROVINCE CENTRAL JAVA PROJECT NAME FLOOD CONTROL, URBAN DRAINAGE AND WATER RESOURCES DEVELOPMENT IN SOGARANG IN THE REPUBLIC OF INDONESIA DISTRICT SEMARANG CITY DRAWING NO. JD-P1-ED-Re-8 SHEET NO. 55 DATE CONTRACT NO.
JAPAN INTERNATIONAL COOPERATION AGENCY CITY ENGINEERING CO., LTD. IN ASSOCIATION WITH PACIFIC CONSULTANTS INTERNATIONAL PABO INTERNATIONAL INC.	DESIGNED CHECKED CROCKED	CHIEF OF PLANNING AND DESIGN PROJECT MANAGER