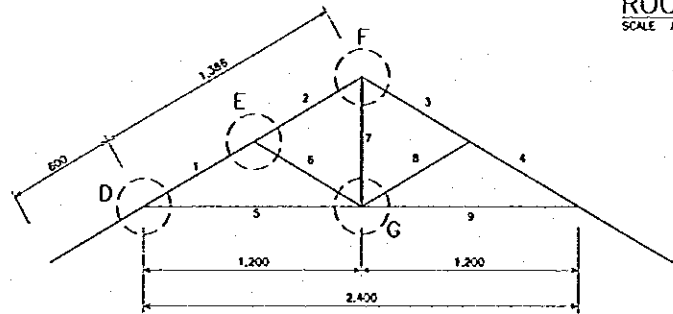
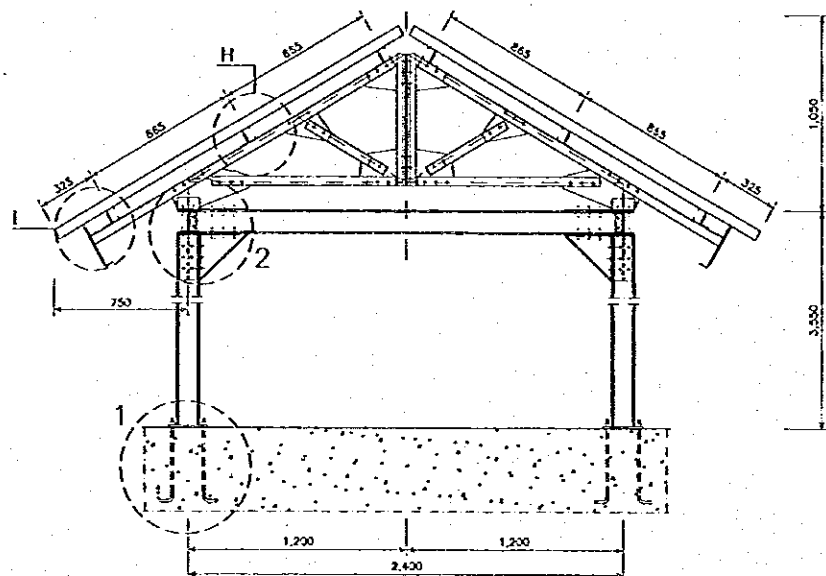


ROOF PLAN
SCALE A (A4/B5)

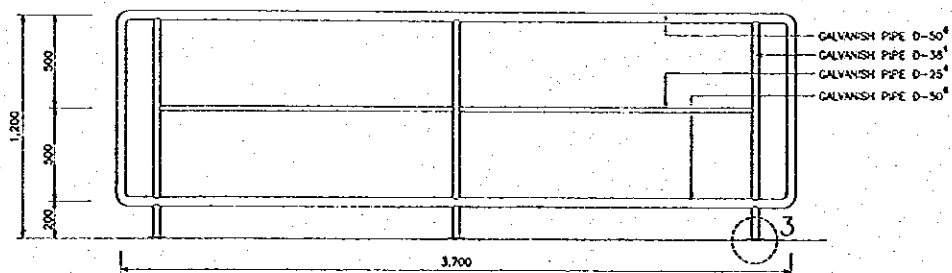


MEMBER LIST TRUSS (4 pcs)

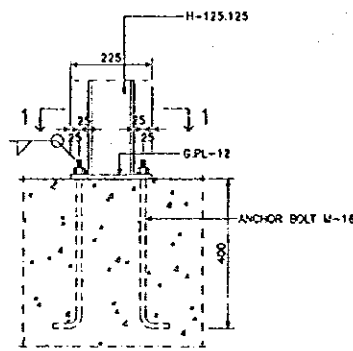
LIST NUMBER	PROFILE	TOTAL	BOLT			NOTE
			# mm	g mm	h mm	
1-4	L-50.50.5	4-3	#12	45	60	
2-3	L-50.50.5	3-3	#12	45	60	
5-6	L-50.50.5	3-3	#12	45	60	
6-8	L-50.50.5	2-2	#12	45	60	
7	L-50.50.5	3-3	#12	45	60	



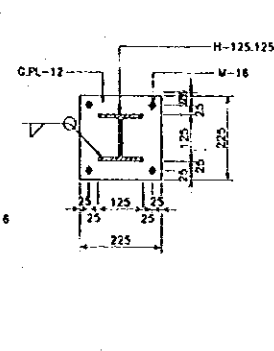
DETAIL SECTION
SCALE B (A4/B5)



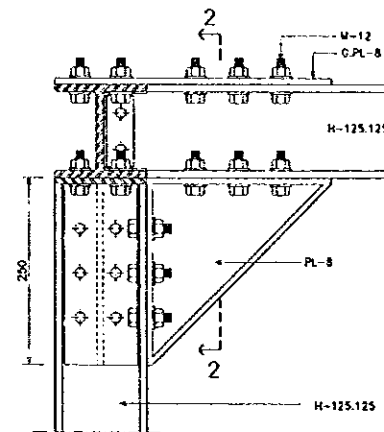
HANDRAIL DETAIL
SCALE B (A4/B5)



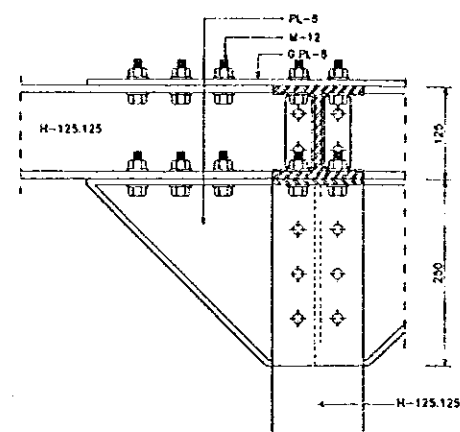
DETAIL 1
SCALE C (A4/B5)



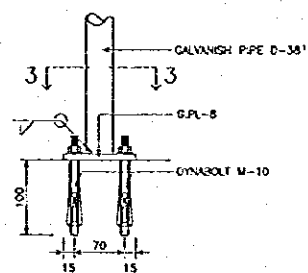
SECTION 1
SCALE C (A4/B5)



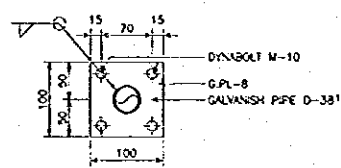
DETAIL 2
SCALE D (A4/B5)



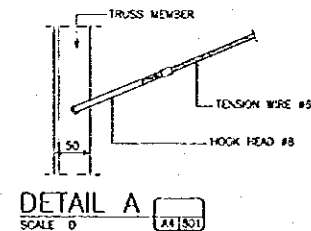
SECTION 2
SCALE D (A4/B5)



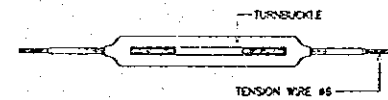
DETAIL 3
SCALE D (A4/B5)



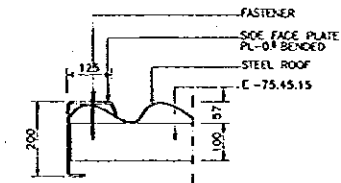
SECTION 3
SCALE D (A4/B5)



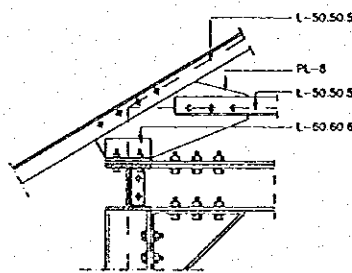
DETAIL A
SCALE D (A4/B5)



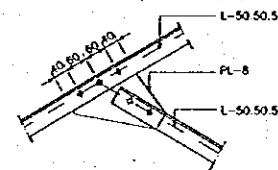
DETAIL B
SCALE D (A4/B5)



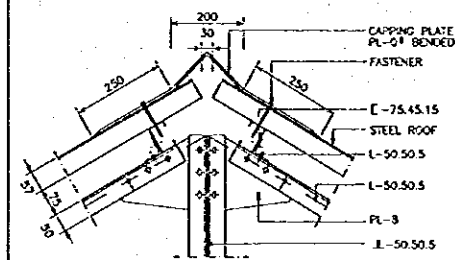
DETAIL C
SCALE C (A4/B5)



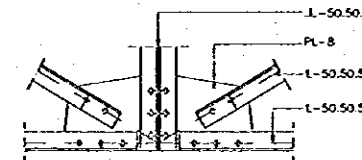
DETAIL D
SCALE C (A4/B5)



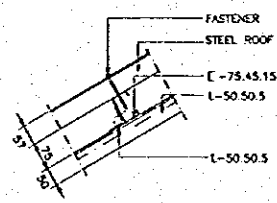
DETAIL E
SCALE C (A4/B5)



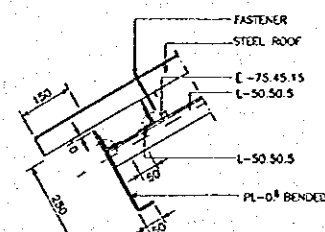
DETAIL F
SCALE C (A4/B5)



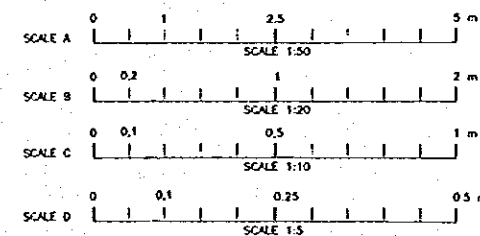
DETAIL G
SCALE C (A4/B5)



DETAIL H
SCALE C (A4/B5)



DETAIL I
SCALE C (A4/B5)



THE REPUBLIC OF INDONESIA
MINISTRY OF PUBLIC WORKS
DIRECTORATE GENERAL OF WATER RESOURCES DEVELOPMENT
AND DIRECTORATE GENERAL OF HUMAN SETTLEMENT

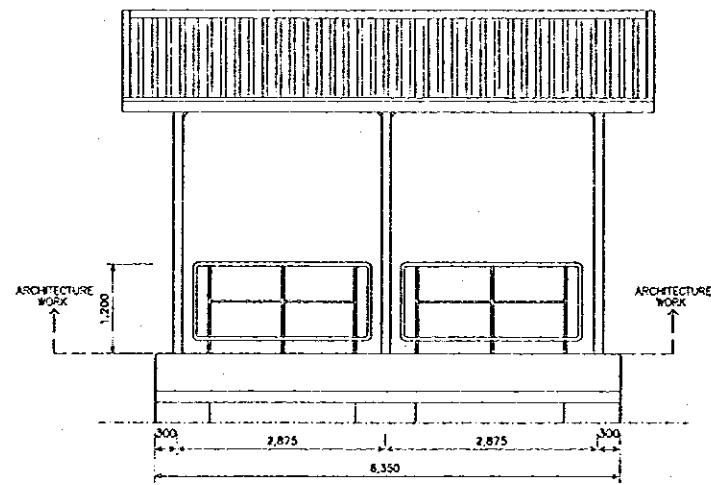
PROVINCE: CENTRAL JAVA
PROJECT NAME: FLOOD CONTROL, URBAN DRAINAGE AND WATER RESOURCES DEVELOPMENT IN SEMARANG IN THE REPUBLIC OF INDONESIA
DISTRICT: SEMARANG CITY
DRAWING NO. 14-501/100-22-04-06-06
SHEET NO. 216

JATISSELUNA FLOOD CONTROL PROJECT
COMPONENT: WEST FLOODWAY/GARANG RIVER IMPROVEMENT
SIMONGAN WEIR MANAGEMENT COMPLEX
INTAKE GATE SHED ON RIGHT BANK
ROOF PLAN, DETAIL MISCELLANEOUS

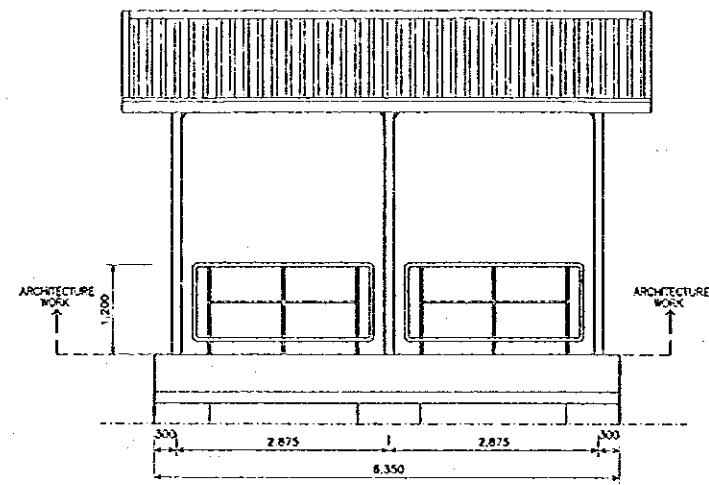
DESIGNED: [Signature]
CHECKED: [Signature]
DATE: [Date]
CONTRACT NO. [Number]

CHIEF OF PLANNING AND DESIGN
PROJECT MANAGER

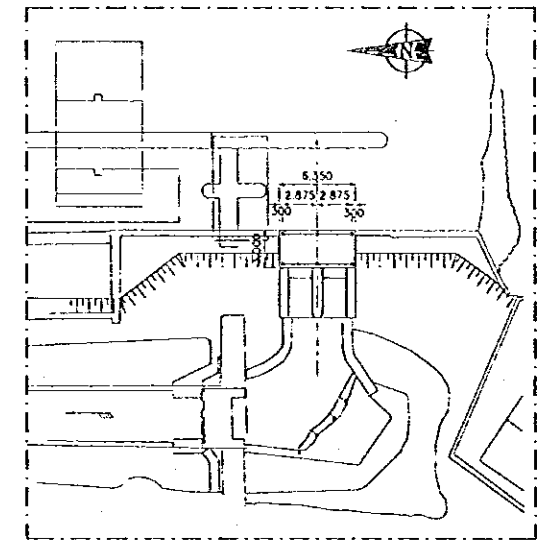
NO.	DATE	REVISIONS	DRAWN/INTD	APPROVED



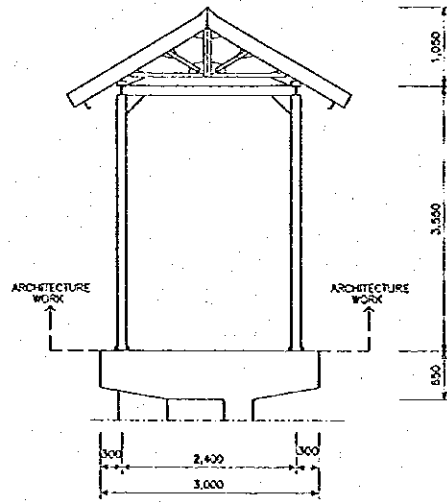
WEST ELEVATION
SCALE A



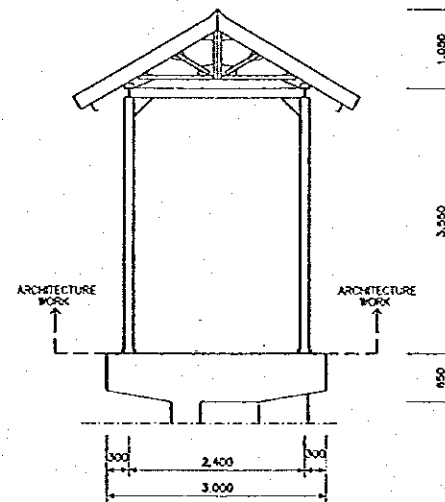
EAST ELEVATION
SCALE A



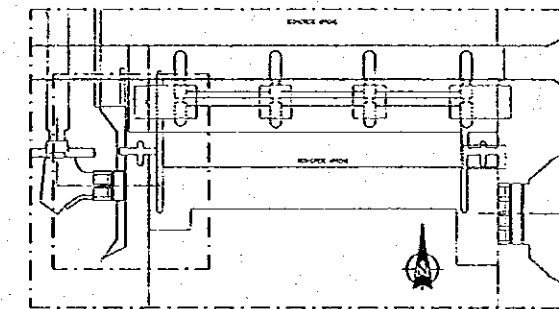
SITE PLAN
SCALE B



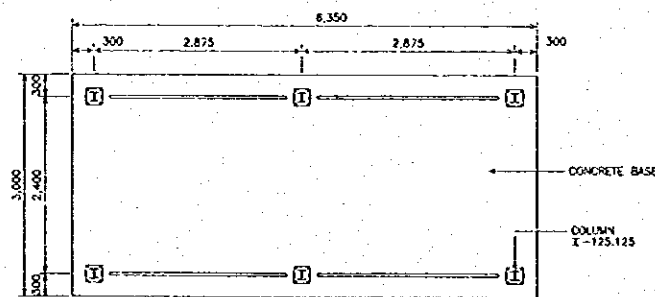
SOUTH ELEVATION
SCALE A



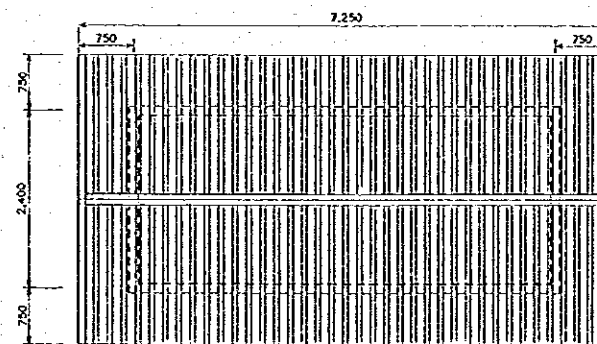
NORTH ELEVATION
SCALE A



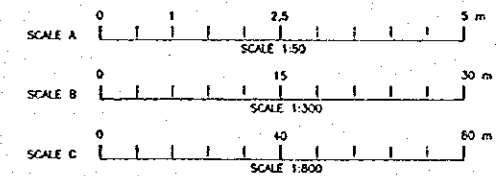
KEY PLAN
SCALE C



PLAN
SCALE A

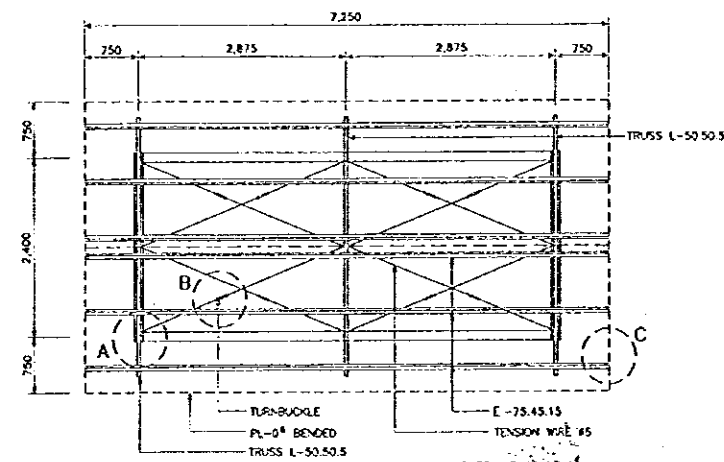


ROOF PLAN
SCALE A

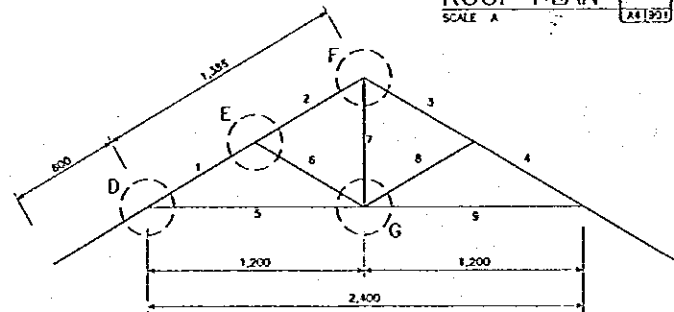


NO.	DATE	REVISIONS	ORIGINATED	DESIGNED	APPROVED

<p>THE REPUBLIC OF INDONESIA MINISTRY OF PUBLIC WORKS DIRECTORATE GENERAL OF WATER RESOURCES DEVELOPMENT AND DIRECTORATE GENERAL OF HUMAN SETTLEMENT</p>	<p>PROVINCE CENTRAL JAWA</p>
	<p>PROJECT NAME FLOOD CONTROL, URBAN DRAINAGE AND WATER RESOURCES DEVELOPMENT OF SEMARANG IN THE REPUBLIC OF INDONESIA</p>
	<p>DISTRICT SEMARANG CITY</p>
	<p>DRAWING NO. M-900/93-P2-SM-09 SHEET NO. 117</p>
<p>JRATUNSELUNA FLOOD CONTROL PROJECT COMPONENT : WEST FLOODWAY GARANO RIVER IMPROVEMENT SIMONGAN WEIR MANAGEMENT COMPLEX INTAKE GATE SHED ON LEFT BANK SITE PLAN, PLAN, ELEVATION, ROOF PLAN</p>	<p>DATE CONTRACT NO.</p>
<p>JAPAN INTERNATIONAL COOPERATION AGENCY CHIBU ENGINEERING CO., LTD. IN ASSOCIATION WITH PACIFIC CONSULTANTS INTERNATIONAL, INC. AND PACIFIC INTERNATIONAL, INC.</p>	<p>DESIGNED CHECKED</p>
<p>CHIEF OF PLANNING AND DESIGN</p>	<p>PROJECT MANAGER</p>

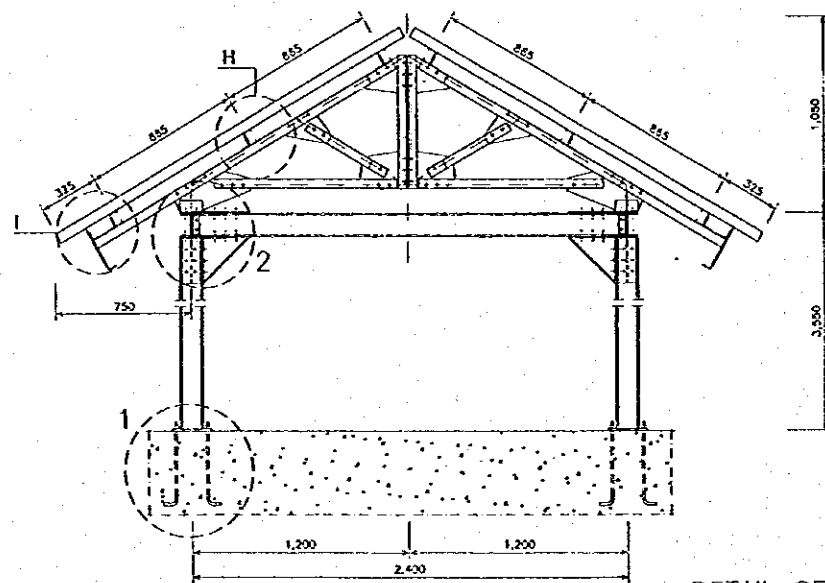


ROOF PLAN
SCALE A [A4/901]

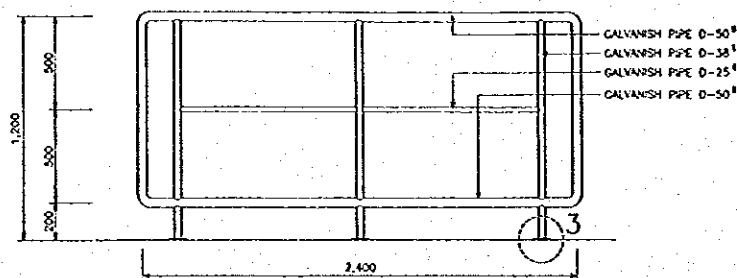


MEMBER LIST TRUSS (3 pcs)

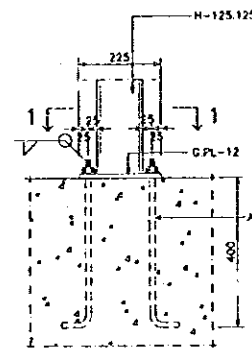
LIST MEMBER	PROFILE	TOTAL	BOLT			NOTE
			#	mm	mm	
1-4	L-50.50.5	4-3	#12	40	50	
2-3	L-50.50.5	3-3	#12	40	60	
5-8	L-50.50.5	3-3	#12	40	60	
6-5	L-50.50.5	2-2	#12	40	60	
7	L-50.50.5	3-3	#12	40	60	



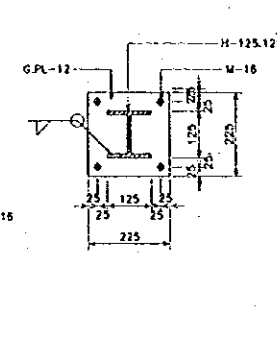
DETAIL SECTION
SCALE B [A4/901]



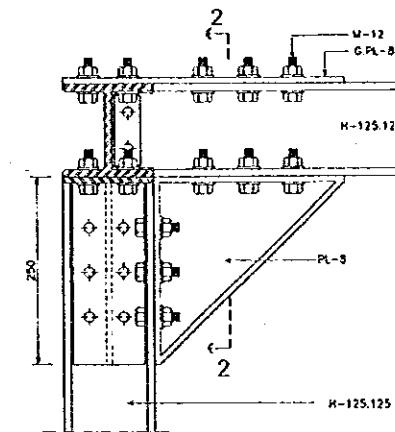
HANDRAIL DETAIL
SCALE B [A4/901]



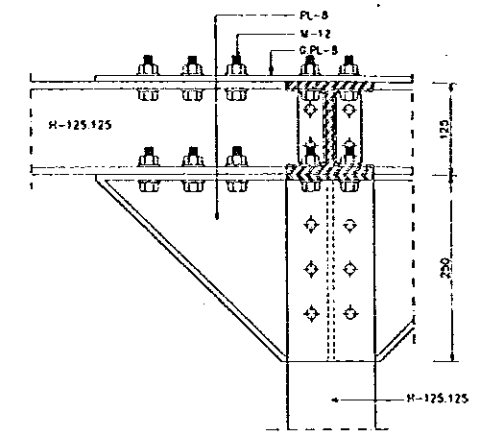
DETAIL 1
SCALE C [A4/901]



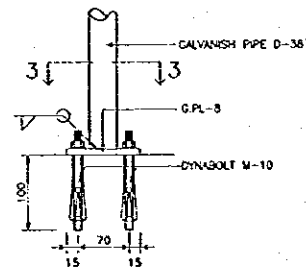
SECTION 1
SCALE C [A4/901]



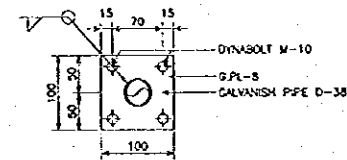
DETAIL 2
SCALE D [A4/901]



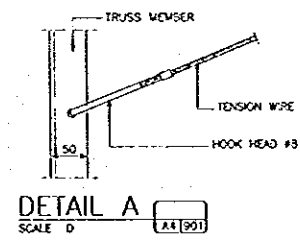
SECTION 2
SCALE D [A4/901]



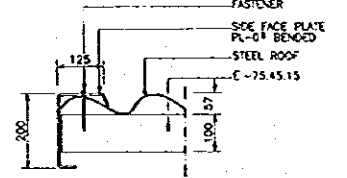
DETAIL 3
SCALE D [A4/901]



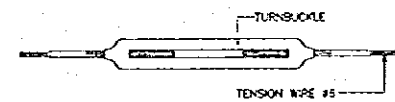
SECTION 3
SCALE D [A4/901]



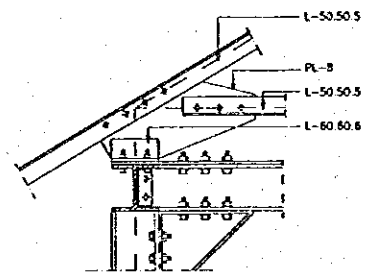
DETAIL A
SCALE D [A4/901]



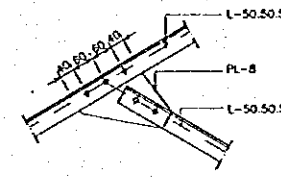
DETAIL C
SCALE C [A4/901]



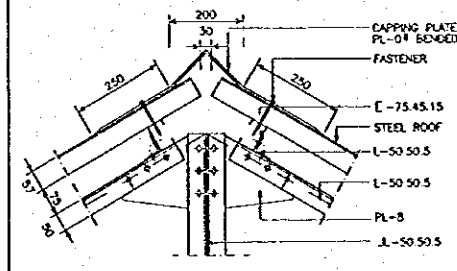
DETAIL B
SCALE D [A4/901]



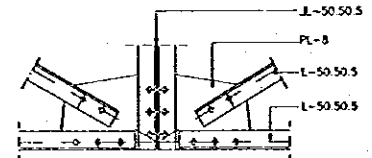
DETAIL D
SCALE C [A4/901]



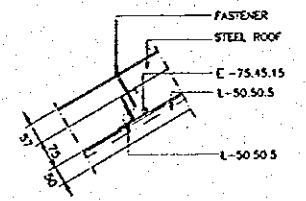
DETAIL E
SCALE C [A4/901]



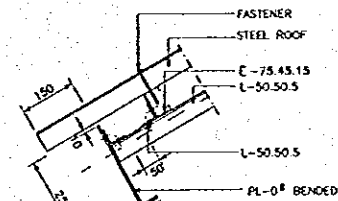
DETAIL F
SCALE C [A4/901]



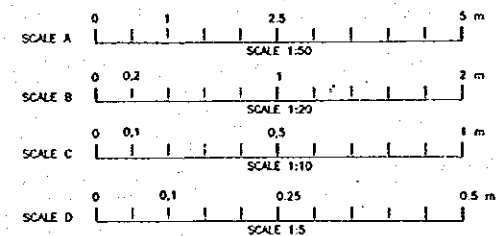
DETAIL G
SCALE C [A4/901]



DETAIL H
SCALE C [A4/901]



DETAIL I
SCALE C [A4/901]



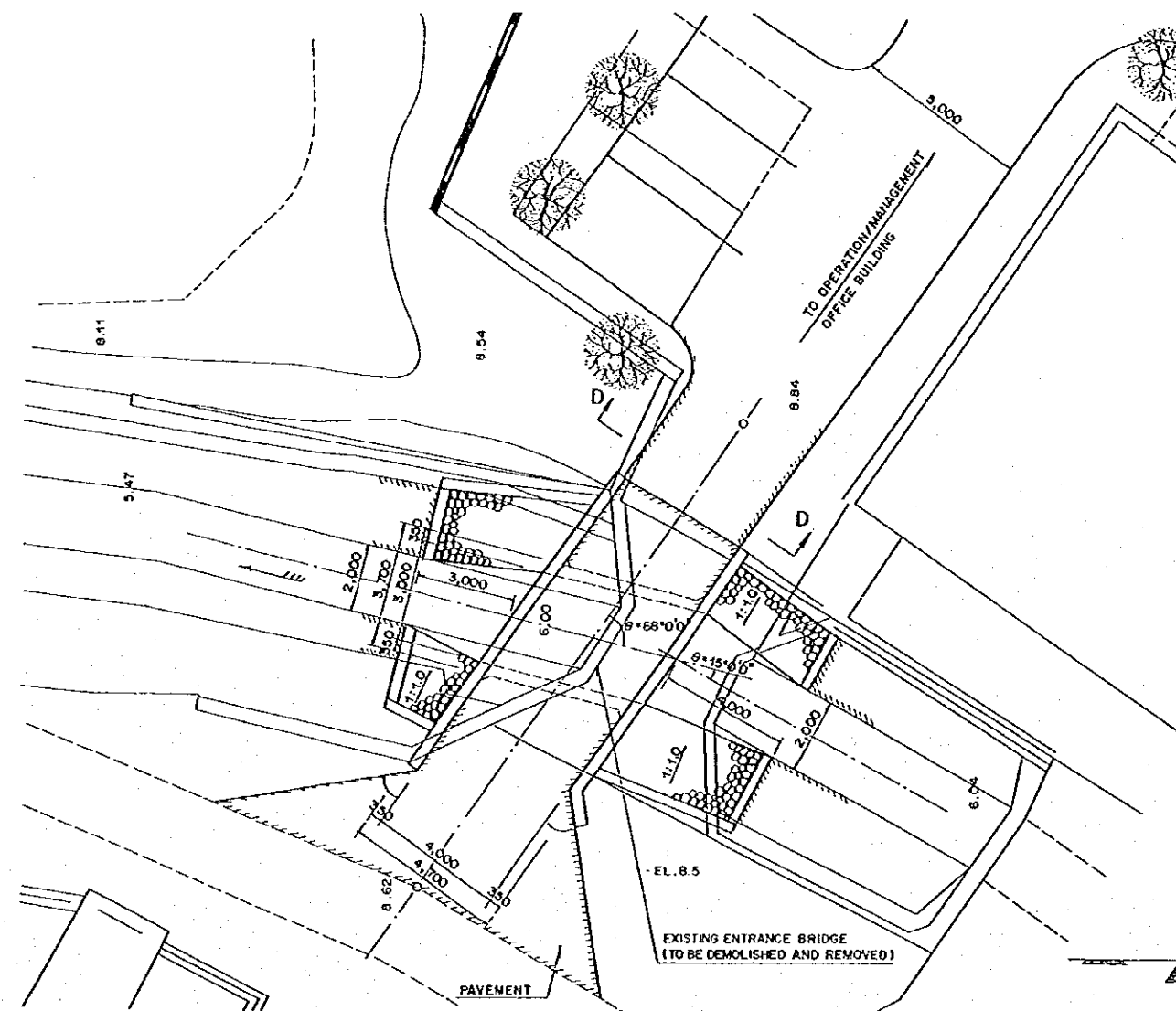
THE REPUBLIC OF INDONESIA
MINISTRY OF PUBLIC WORKS
DIRECTORATE GENERAL OF WATER RESOURCES DEVELOPMENT AND DIRECTORATE GENERAL OF HUMAN SETTLEMENT

PROVINCE: CENTRAL JAVA
PROJECT NAME: FLOOD CONTROL URBAN DRAINAGE AND WATER RESOURCES DEVELOPMENT IN SEMARANG IN THE REPUBLIC OF INDONESIA
DISTRICT: SEMARANG CITY
DRAWING NO. AA-901/WP-2-SM-PL-02
SHEET NO. 118

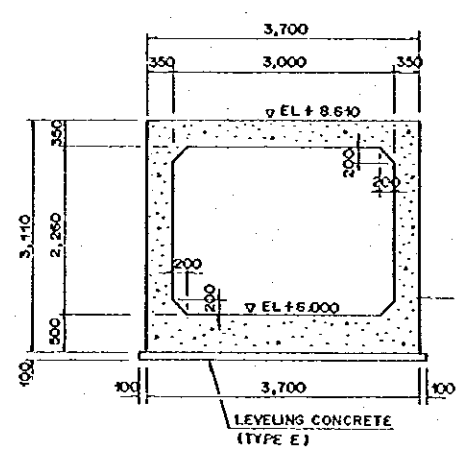
JRATUNSELUNA FLOOD CONTROL PROJECT
COMPONENT: WEST FLOODWAY/GARANG RIVER IMPROVEMENT
SIMONGAN WEIR MANAGEMENT COMPLEX
INTAKE GATE SHED ON LEFT BANK
ROOF PLAN, DETAIL, MISCELLANEOUS

DESIGNED: [Signature]
CHECKED: [Signature]
CONTRACT NO. [Blank]

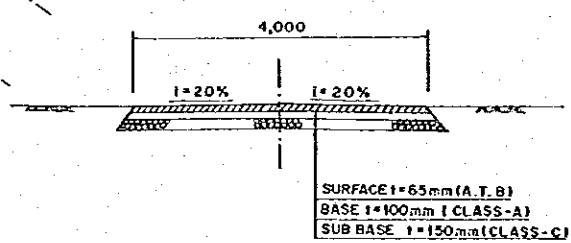
NO. DATE REVISIONS ORIGINATED APPROVED APPROVED



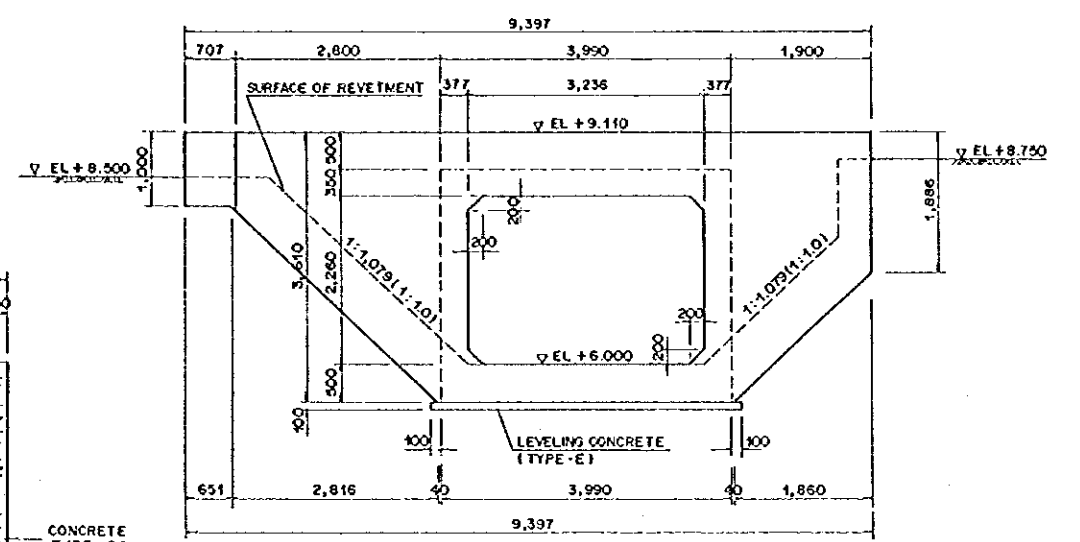
LAYOUT PLAN OF BOX CULVERT
SCALE A



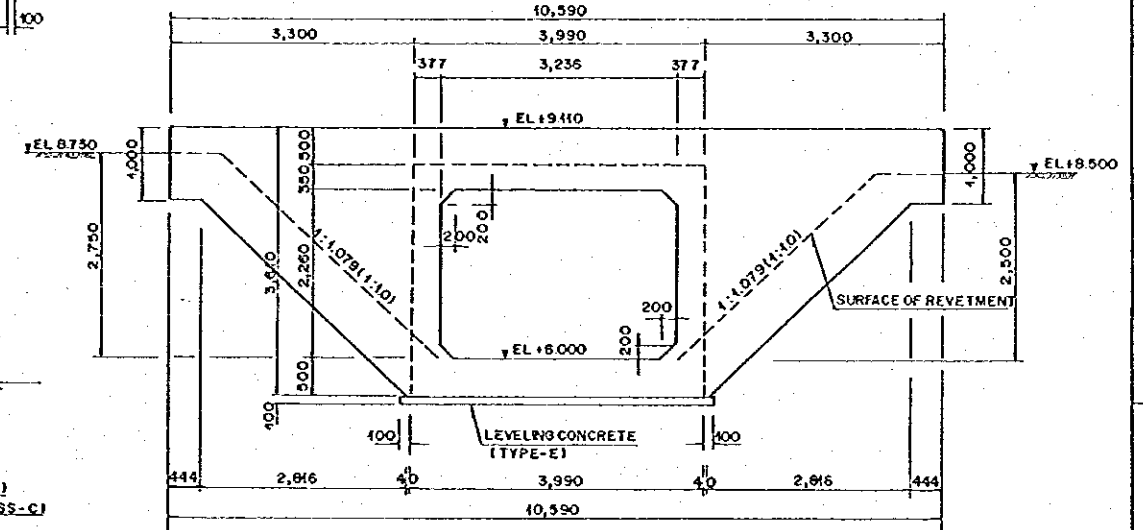
SECTION A-A
SCALE B



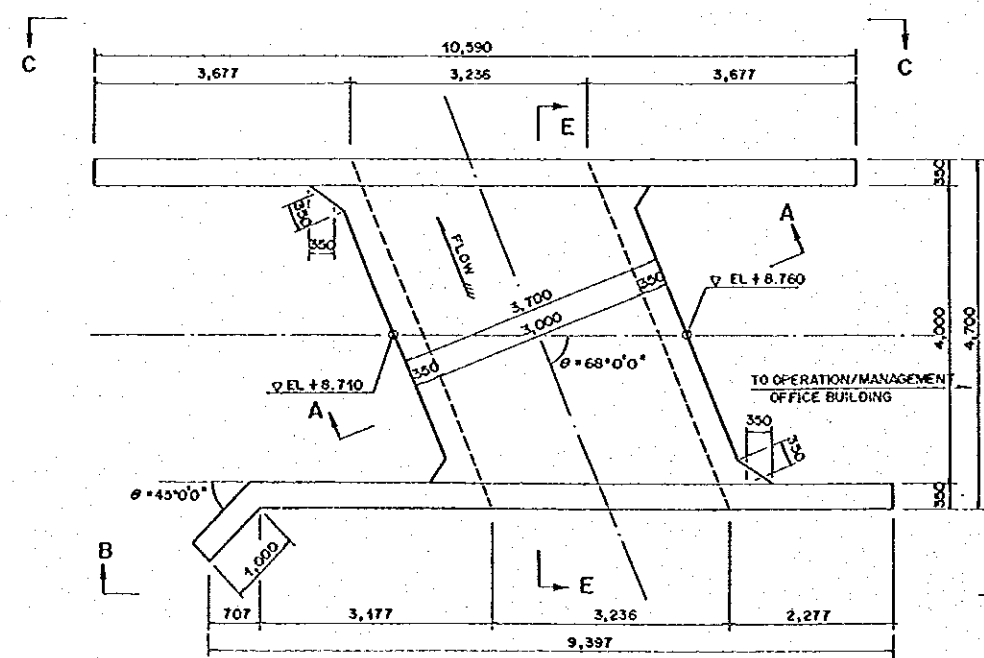
SECTION D-D
SCALE B



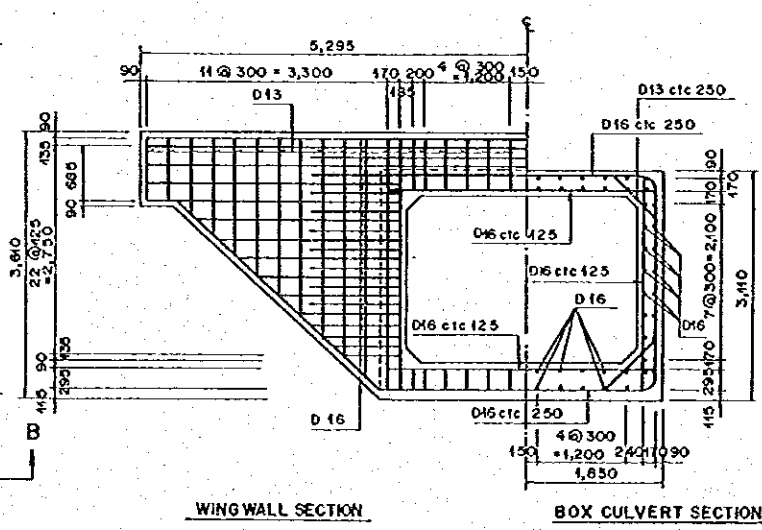
SECTION B-B
SCALE B



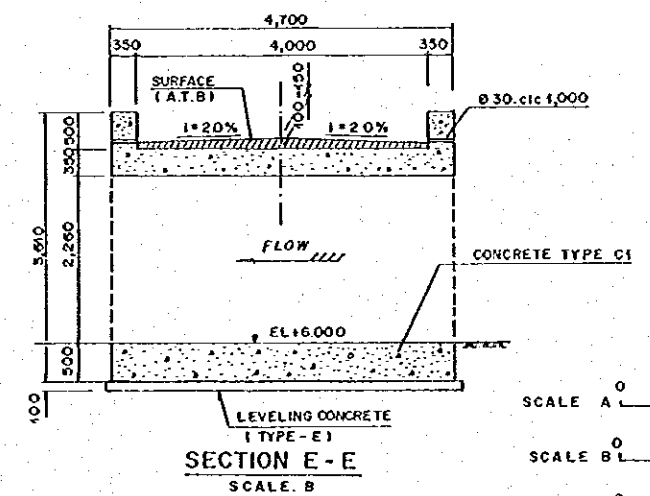
SECTION C-C
SCALE B



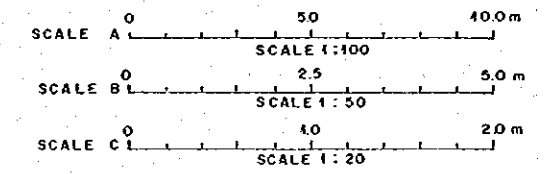
PLAN OF BOX CULVERT
SCALE B



ARRANGEMENT OF REINFORCING BAR
SCALE B



SECTION E-E
SCALE B



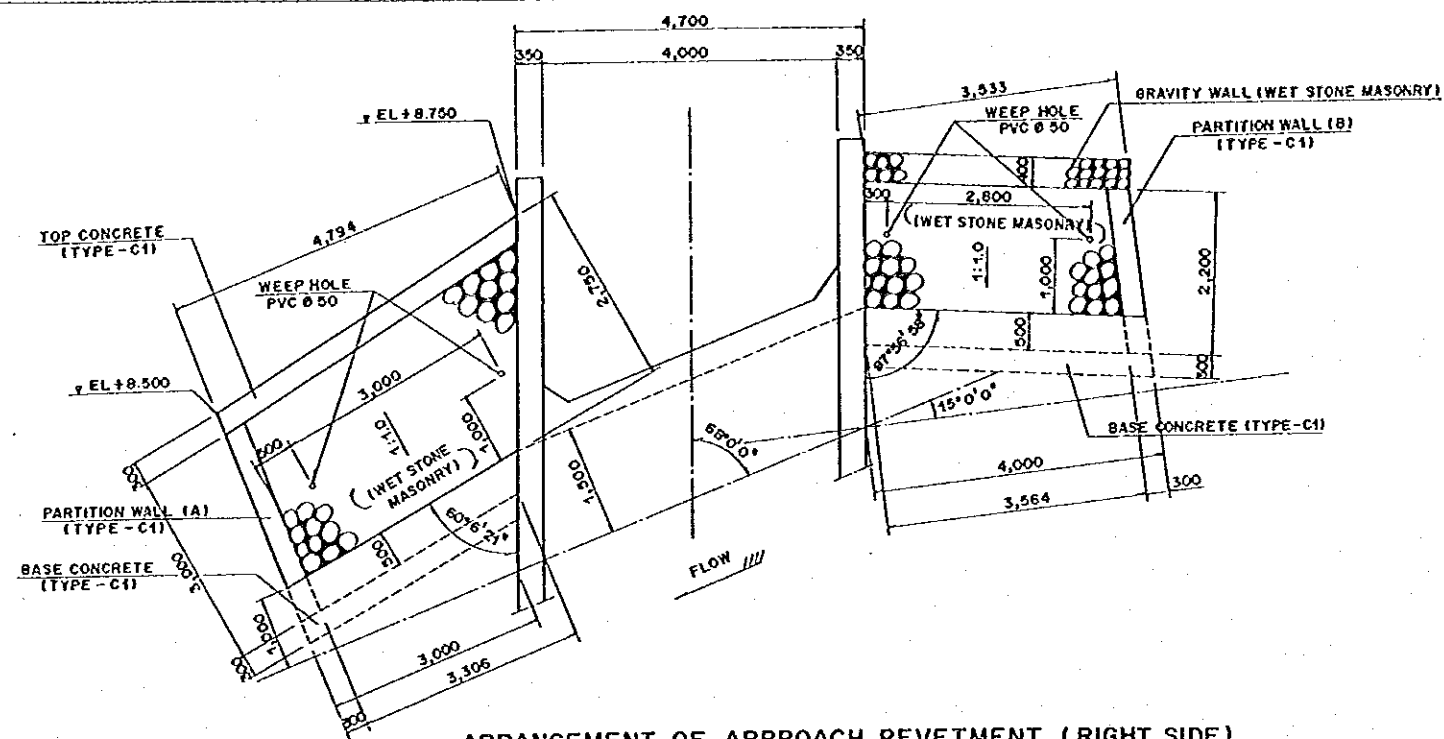
NO.	DATE	REVISIONS	ORIGINATOR	DESIGNED	APPROVED

THE REPUBLIC OF INDONESIA
 MINISTRY OF PUBLIC WORKS
 DIRECTORATE GENERAL OF WATER RESOURCES DEVELOPMENT AND DIRECTORATE GENERAL OF HUMAN SETTLEMENT
 BRATUNSELUNA FLOOD CONTROL PROJECT
 COMPONENT: WEST FLOODWAY / GARANG RIVER IMPROVEMENT
 SIMONGAN WEIR MANAGEMENT COMPLEX
 ENTRANCE BRIDGE
 STRUCTURAL DETAILS OF BRIDGE AND RETEMENT (1/2)

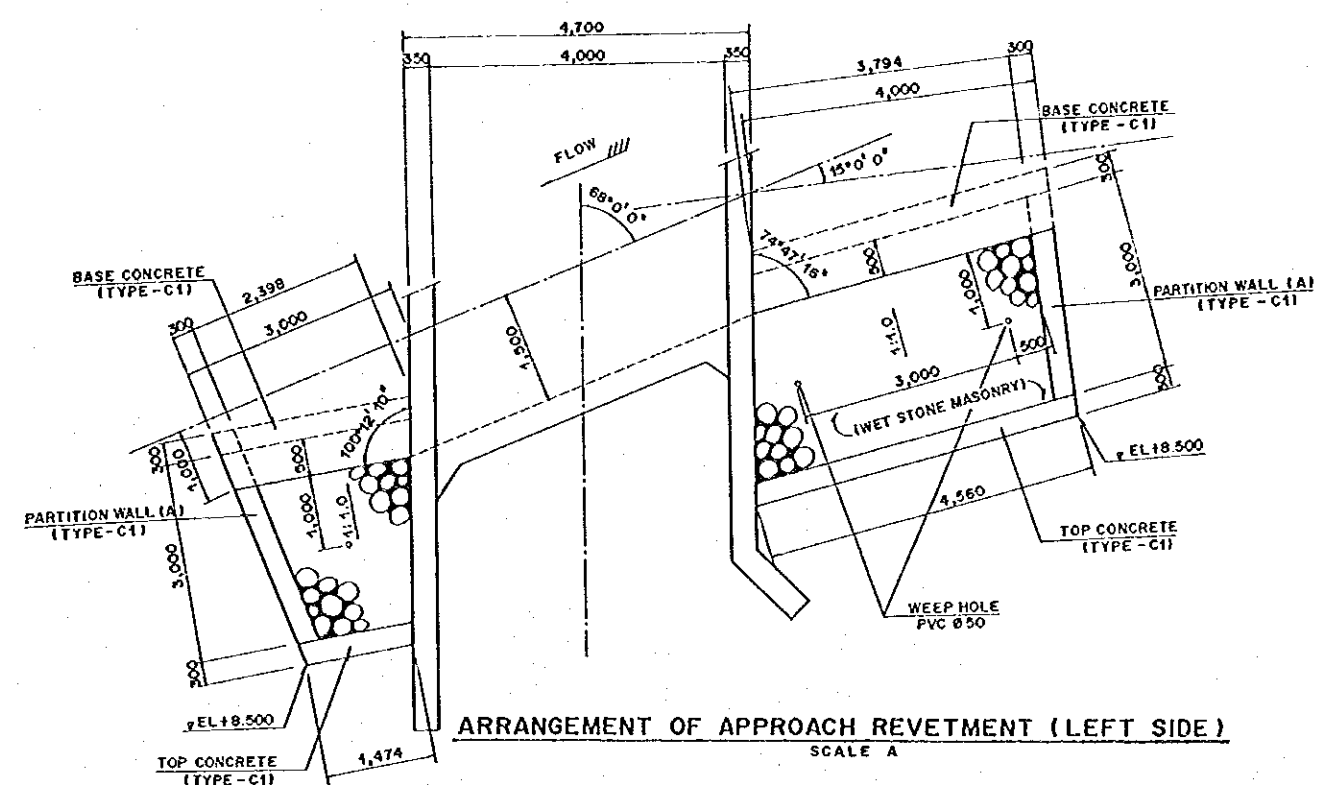
PROJECT NAME: FLOOD CONTROL, URBAN DRAINAGE AND WATER RESOURCES DEVELOPMENT BY BRATUNSELUNA IN THE REPUBLIC OF INDONESIA
 DISTRICT: SENARANG CITY
 DRAWING NO. WG-P2-SM-S1-61
 SHEET NO. 229
 DATE: _____
 CONTRACT NO.: _____

SAFAY INTERNATIONAL COOPERATION AGENCY
 CTS ENGINEERING CO., LTD. IN ASSOCIATION WITH
 PACIFIC CONSULTANTS INTERNATIONAL AND
 PANGLOSS INTERNATIONAL INC.

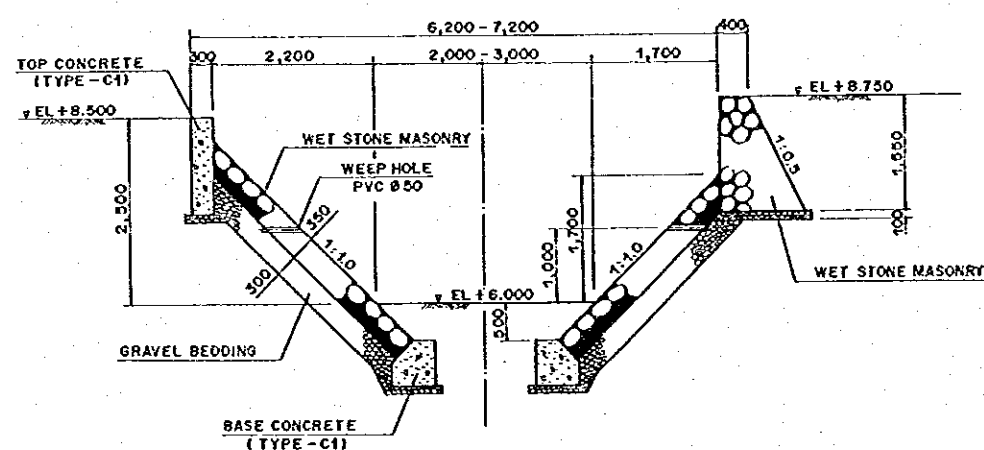
DESIGNED: _____
 CHECKED: _____
 CHIEF OF PLANNING AND DESIGN: _____
 PROJECT MANAGER: _____



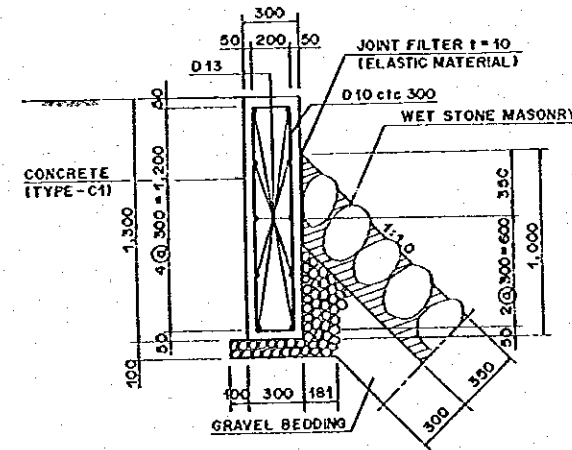
ARRANGEMENT OF APPROACH REVETMENT (RIGHT SIDE)
SCALE A



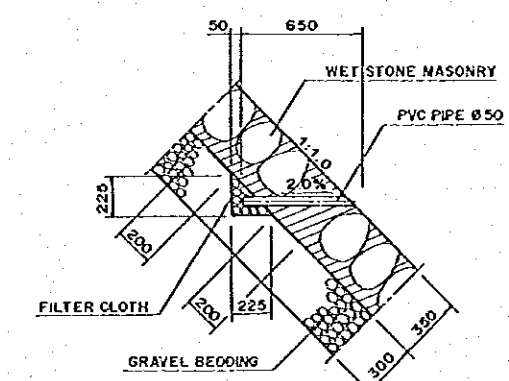
ARRANGEMENT OF APPROACH REVETMENT (LEFT SIDE)
SCALE A



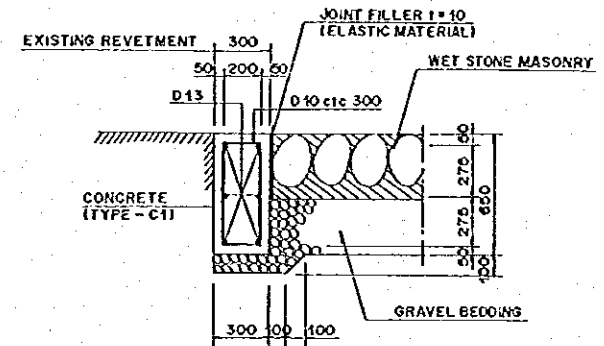
STANDARD CROSS SECTION OF REVETMENT (UPSTREAM)
SCALE A



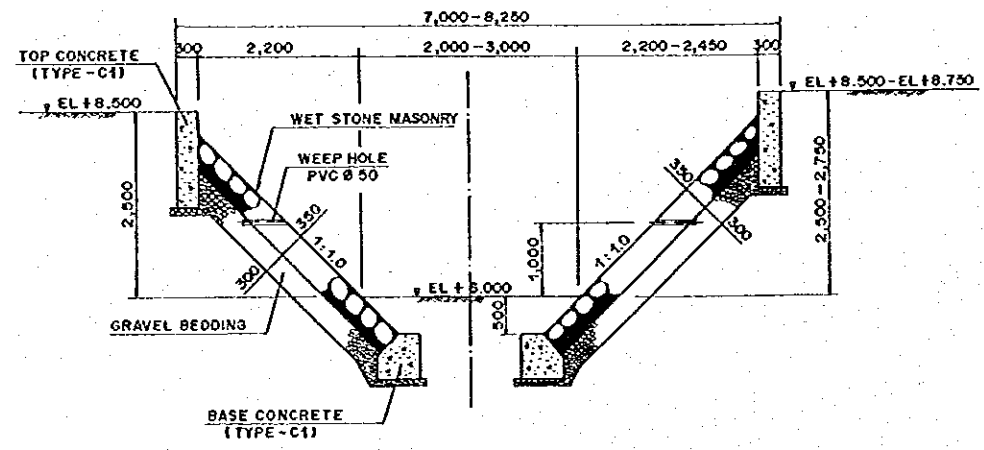
TOP CONCRETE
SCALE B



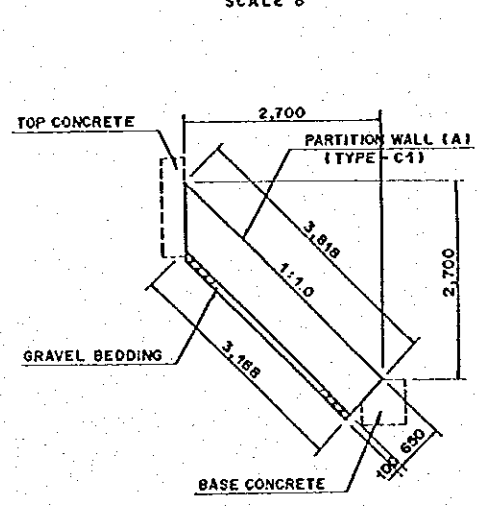
DETAIL OF WEEP HOLE
SCALE B



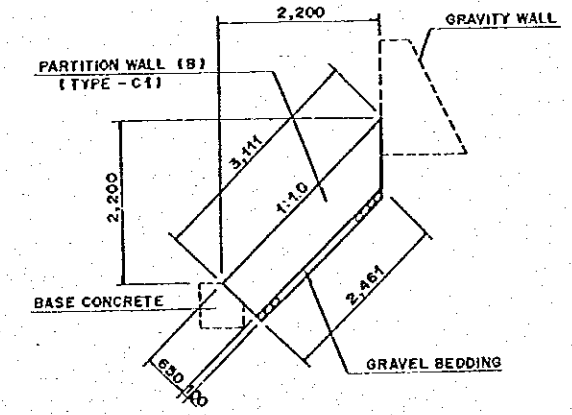
PARTITION WALL
SCALE B



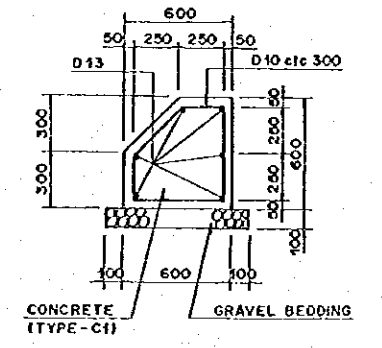
STANDARD CROSS SECTION OF REVETMENT (DOWNSTREAM)
SCALE A



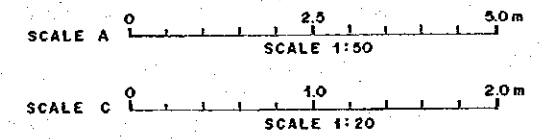
PROFILE OF PARTITION WALL (A)
SCALE A



PROFILE OF PARTITION WALL (B)
SCALE A



BASE CONCRETE
SCALE B



NO.	DATE	REVISIONS	ORIGINATOR	DESIGNED	APPROVED	APPROVED

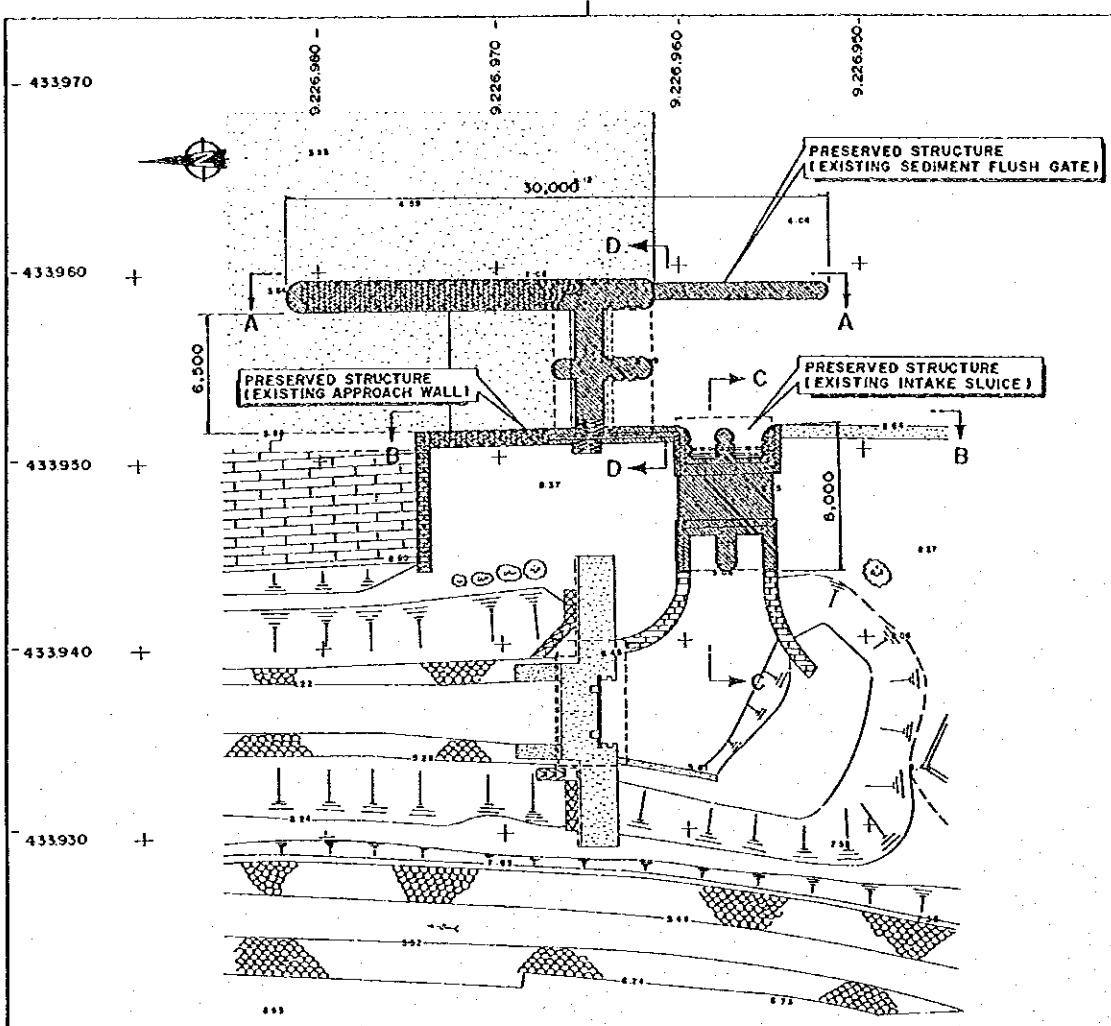
THE REPUBLIC OF INDONESIA
MINISTRY OF PUBLIC WORKS
DIRECTORATE GENERAL OF WATER RESOURCES DEVELOPMENT AND DIRECTORATE GENERAL OF HUMAN SETTLEMENT

JRATUNSELUNA FLOOD CONTROL PROJECT
SIMONGAN WEIR MANAGEMENT COMPLEX
ENTRANCE BRIDGE
STRUCTURAL DETAILS OF BRIDGE AND REVETMENT (2/2)

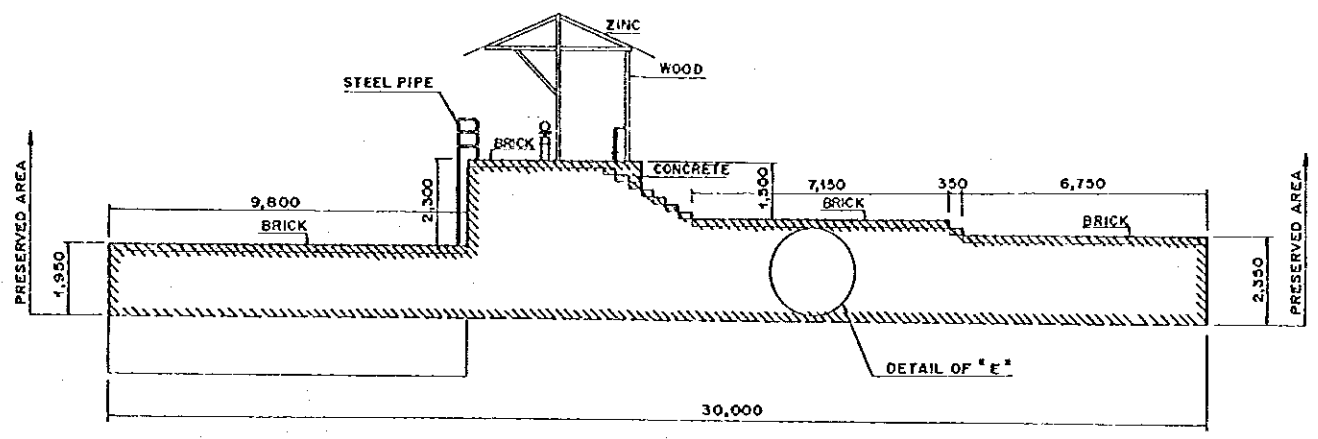
PROVINCE: CENTRAL JAVA
PROJECT NAME: FLOOD CONTROL, URBAN DRAINAGE AND WATER RESOURCE DEVELOPMENT IN SEMARANG IN THE REPUBLIC OF INDONESIA
DISTRICT: SEMARANG CITY
DRAWING NO. W0-P2-SM-51-82
SHEET NO. 130

DESIGNED: [Signature]
CHECKED: [Signature]
DATE: [Signature]
CONTRACT NO. [Signature]

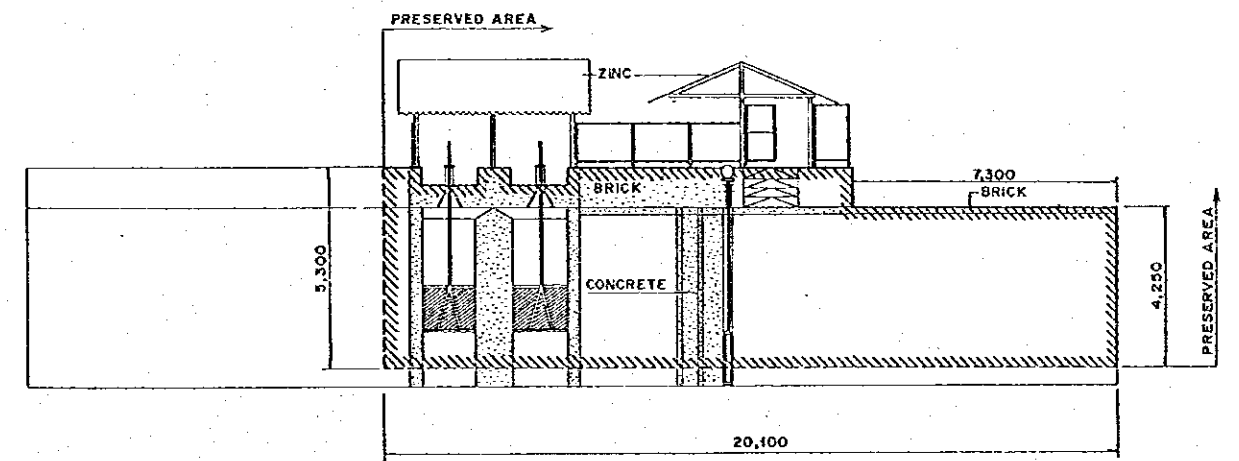
PROJECT MANAGER



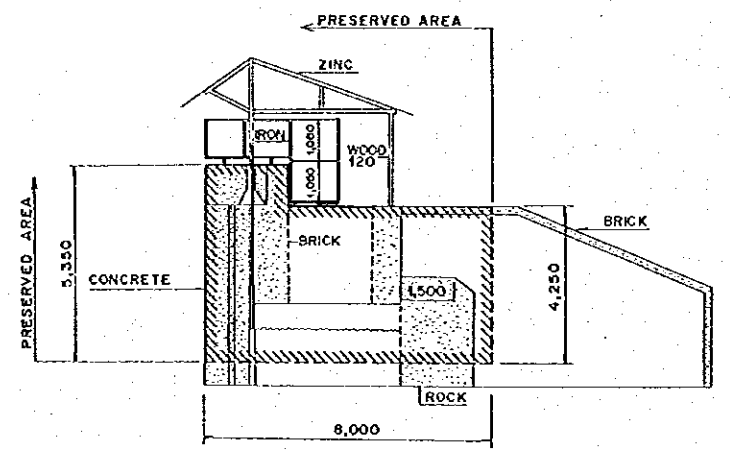
PLAN
SCALE A



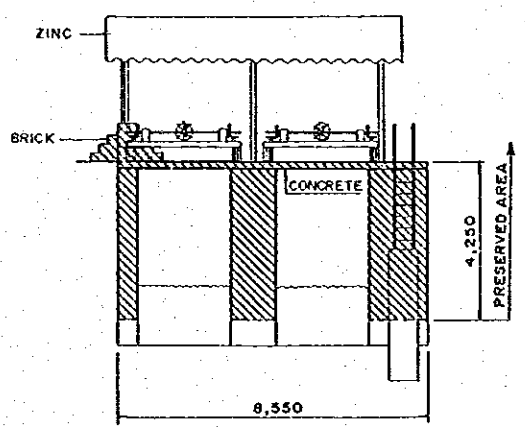
SECTION A-A
SCALE B



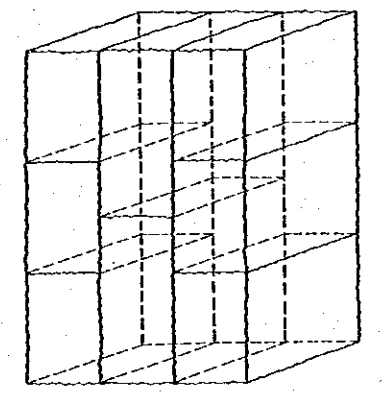
SECTION B-B
SCALE B



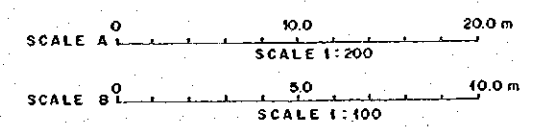
SECTION C-C
SCALE B



SECTION D-D
SCALE B



DETAIL OF 'E' (CUTTING BLOCK)

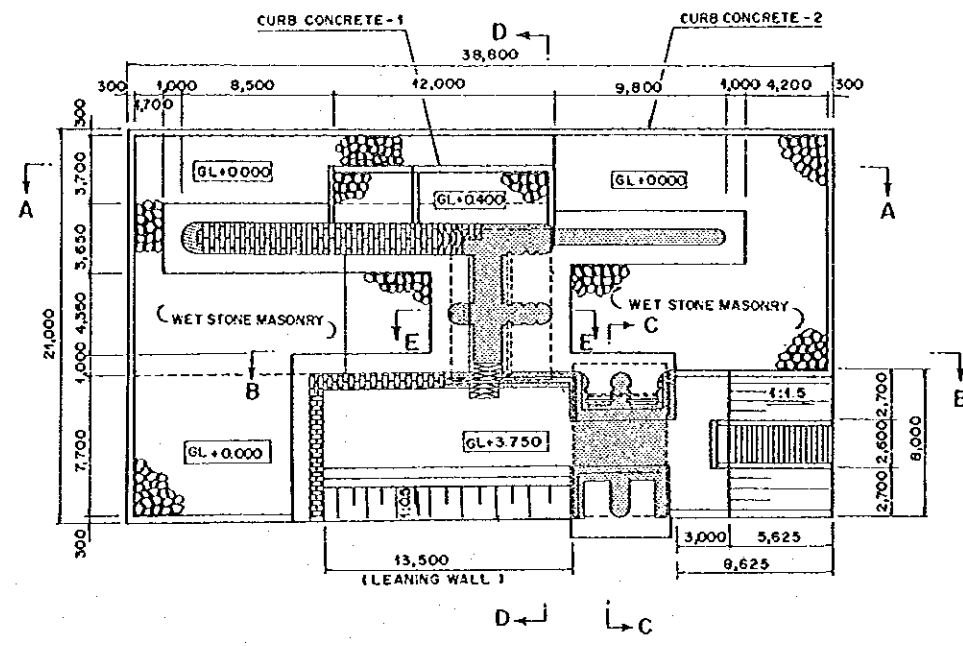


NOTE

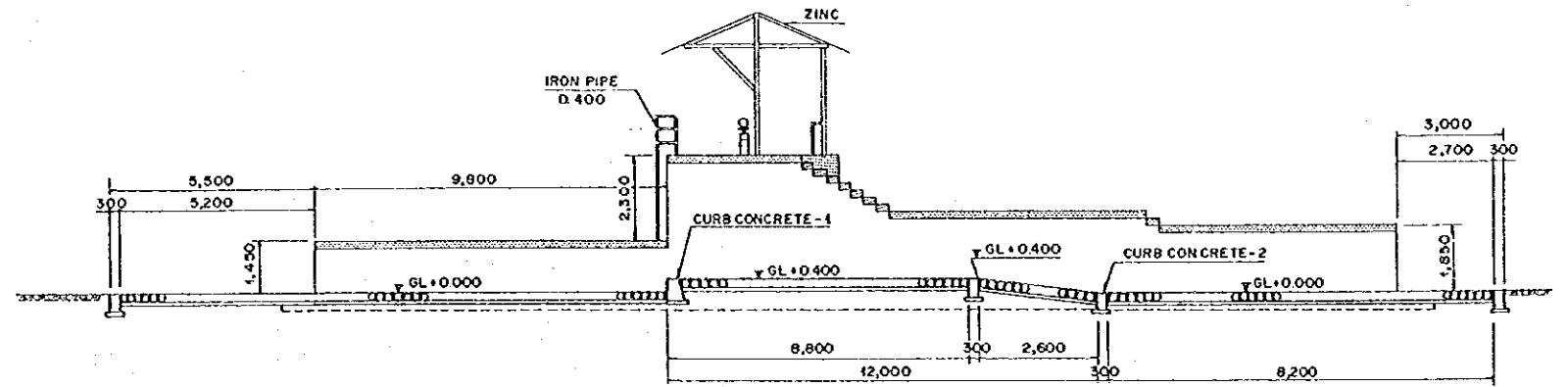
1. PRESERVED STRUCTURES ARE EXISTING SEDIMENT FLUSH GATE, EXISTING INTAKE SLUICE AND EXISTING APPROACH WALL AT LEFT BANK.
2. PRESERVE STRUCTURE INCLUDES GATE LEAF HOISTING SYSTEM GATESHED, STEEL FENCE, STEEL LADDER AND THE OTHER NECESSARY THINGS THAT ENGINEER DETERMINE.

NO.	DATE	REVISIONS	ORIGINATED	DESIGNED	APPROVED

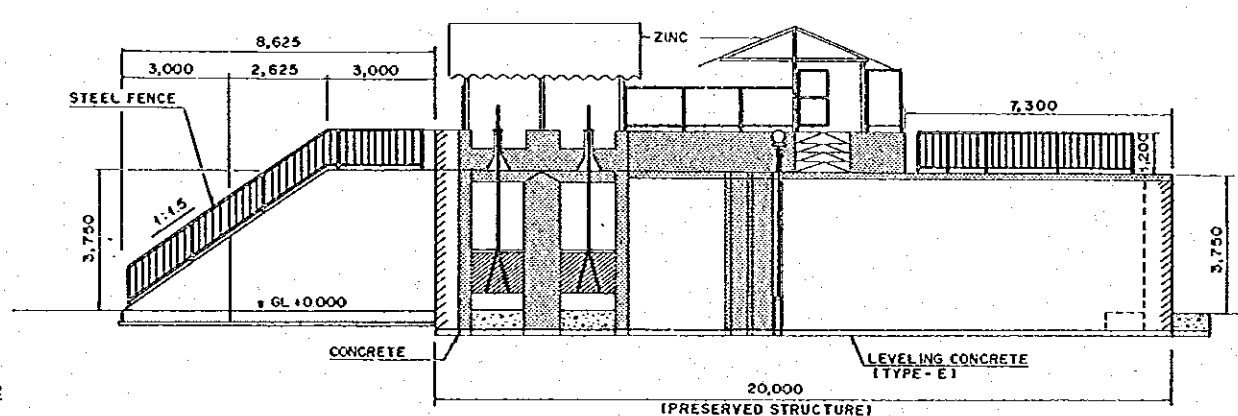
THE REPUBLIC OF INDONESIA MINISTRY OF PUBLIC WORKS DIRECTORATE GENERAL OF WATER RESOURCES DEVELOPMENT AND DIRECTORATE GENERAL OF HUMAN SETTLEMENT		PROVINCE CENTRAL JAVA
IRATUNSELUNA FLOOD CONTROL PROJECT COMPONENT: WEST FLOODWAY / GARANG RIVER IMPROVEMENT		PROJECT NAME FLOOD CONTROL, URBAN DRAINAGE AND WATER RESOURCES DEVELOPMENT IN SEMARANG IN THE REPUBLIC OF INDONESIA
PRESERVATION OF EXISTING SIMONGAN WEIR CUTTING AREA OF WEIR		DISTRICT SEMARANG CITY
GUYAN INTERNATIONAL CONSULTING AGENCY CIL, SEMARANG CO., LTD. IN ASSOCIATION WITH PACIFIC CONSULTANTS INTERNATIONAL AND PAKO SURABAYA CO., INC.		DRAWING NO. WS-P2-PE-S1-1 SHEET NO. 231
CHIEF OF PLANNING AND DESIGN		DATE CONTRACT NO.
PROJECT MANAGER		



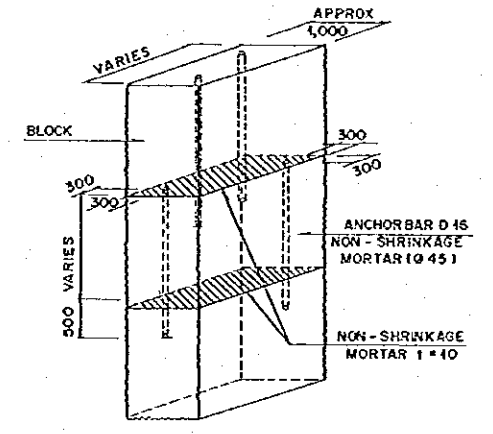
PLAN OF PRESERVATION SITE
SCALE A



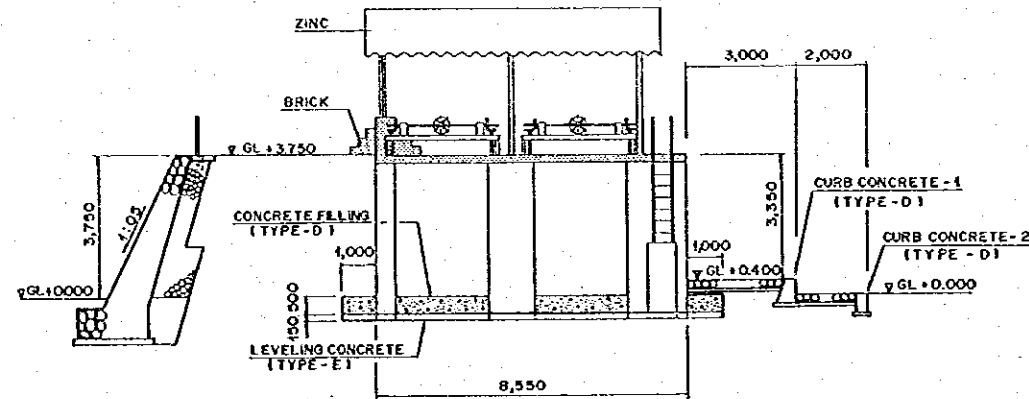
SECTION A-A
SCALE B



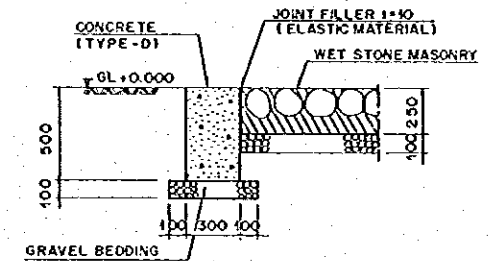
SECTION B-B
SCALE B



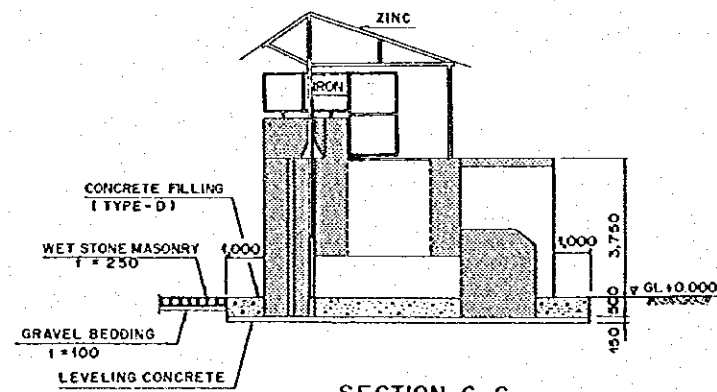
JOINTING
SCALE C



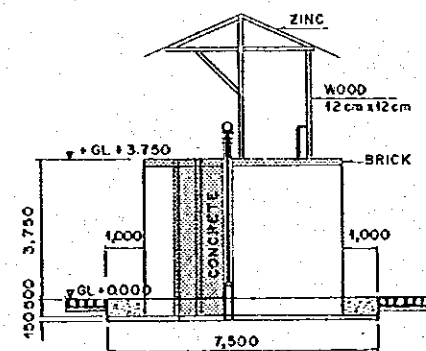
SECTION D-D
SCALE B



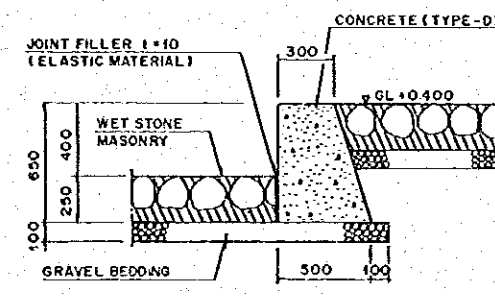
CURB CONCRETE - 2
SCALE C



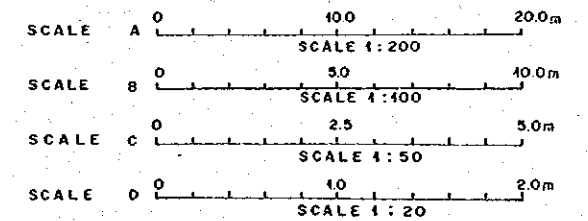
SECTION C-C
SCALE B



SECTION E-E
SCALE B

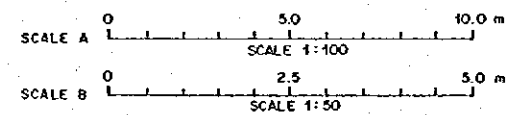
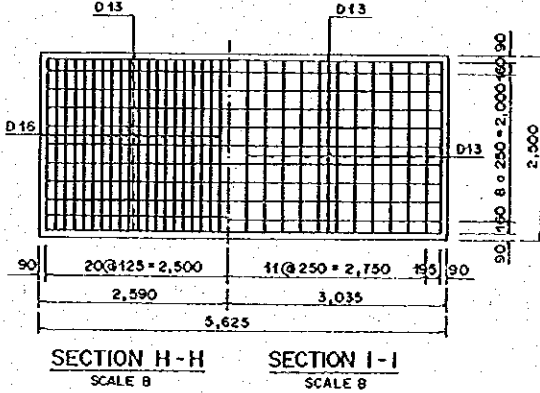
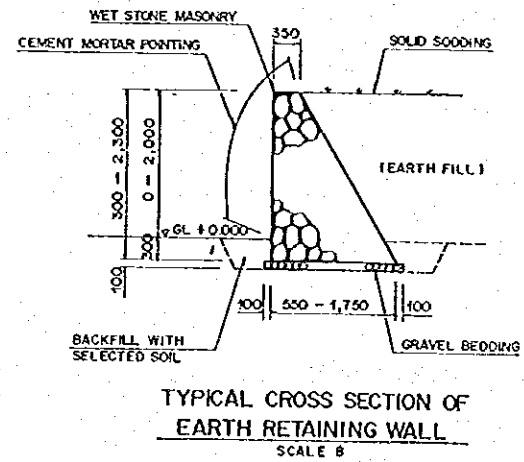
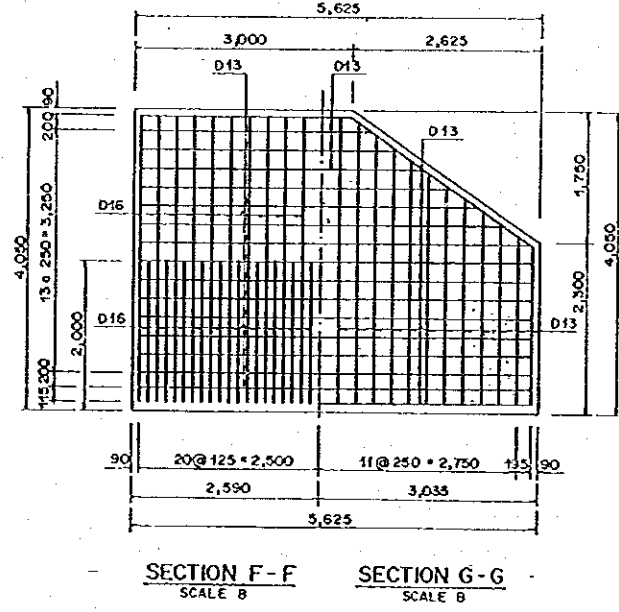
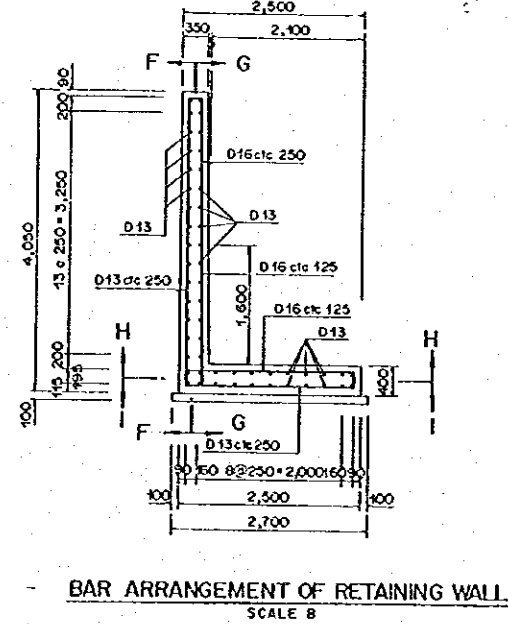
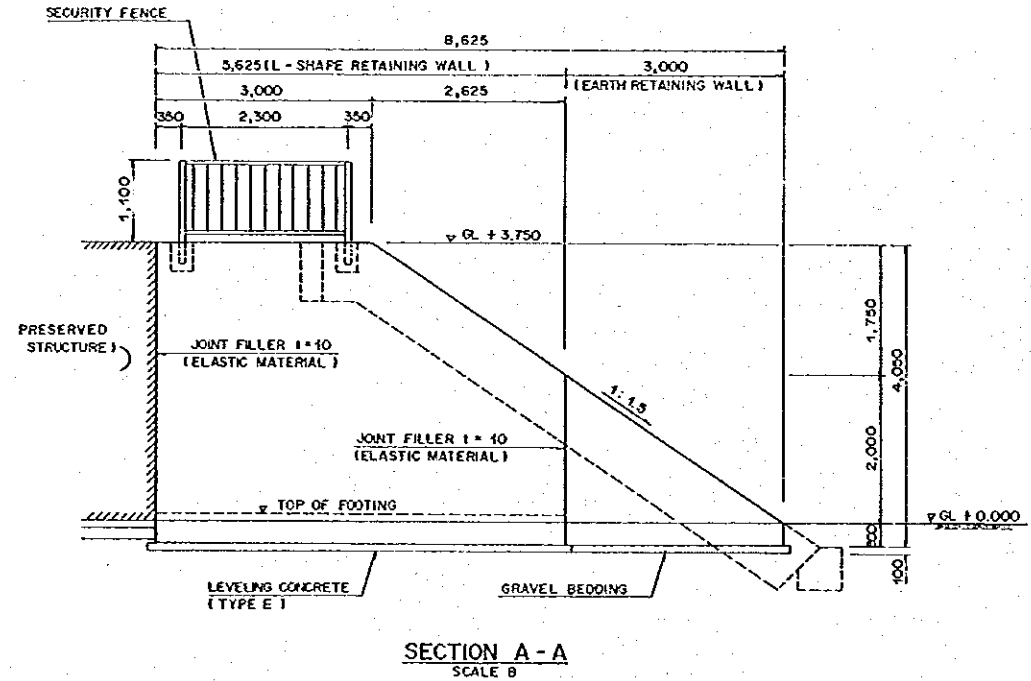
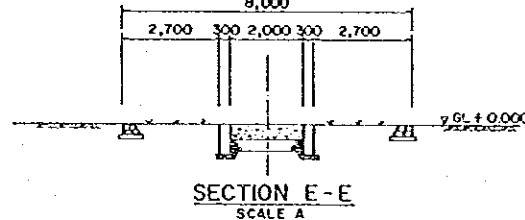
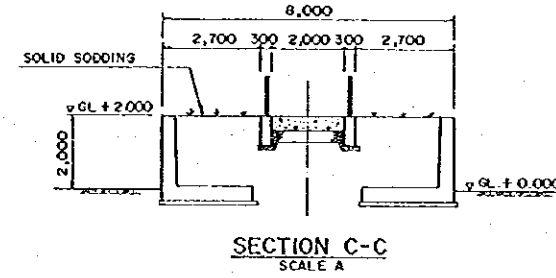
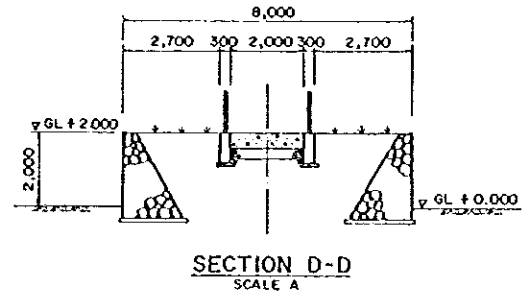
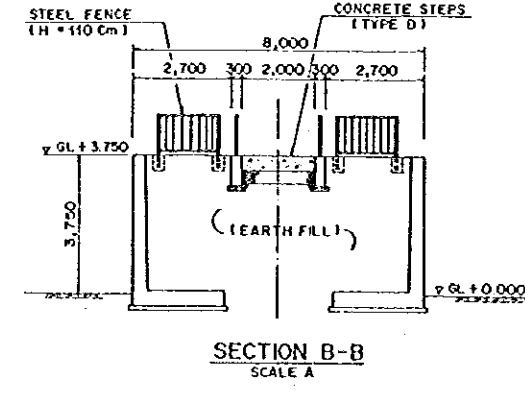
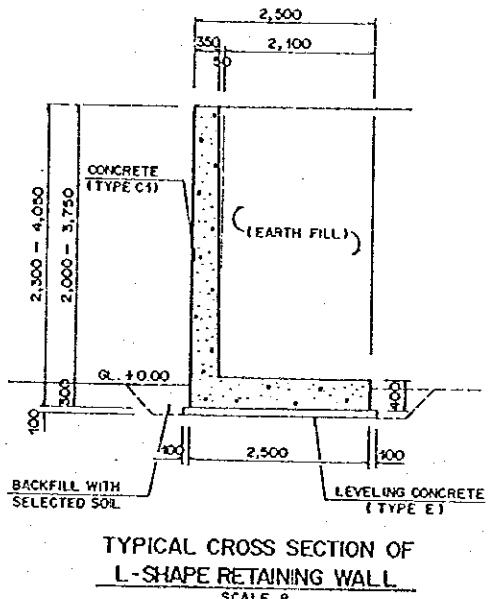
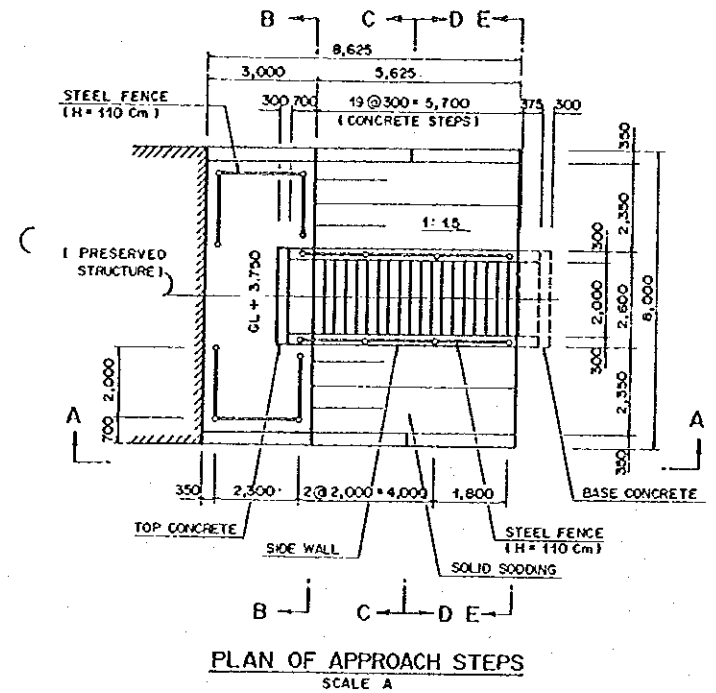


CURB CONCRETE - 1
SCALE C



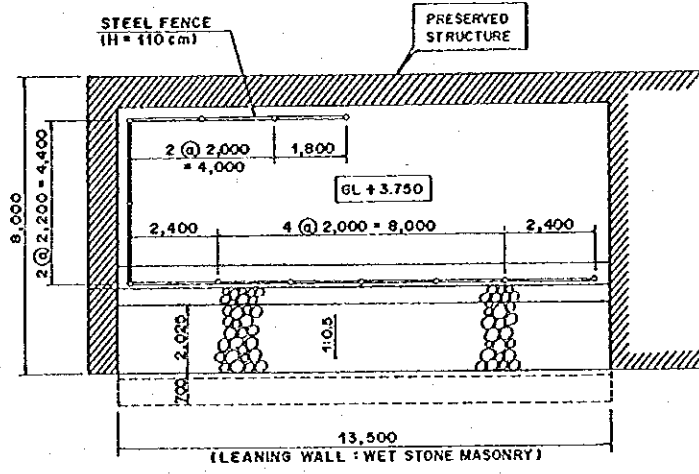
NO.	DATE	REVISIONS	ORIGINATOR	DESIGNED	APPROVED

<p>THE REPUBLIC OF INDONESIA MINISTRY OF PUBLIC WORKS DIRECTORATE GENERAL OF WATER RESOURCES DEVELOPMENT AND DIRECTORATE GENERAL OF HUMAN SETTLEMENT BRATUNSELUNA FLOOD CONTROL PROJECT COMPONENT: WEST FLOODWAY / GARANG RIVER IMPROVEMENT PRESERVATION OF EXISTING SIMONGAN WEIR PLAN AND PROFILE OF RECONSTRUCTION OF PART OF WEIR</p>	<p>PROJECT: CENTRAL JAVA</p> <p>PROJECT NAME: FLOOD CONTROL, URBAN DRAINAGE AND WATER RESOURCES DEVELOPMENT IN SEMARANG IN THE REPUBLIC OF INDONESIA</p> <p>DISTRICT: SEMARANG CITY</p> <p>DRAWING NO. WS-P2-PE-51-2</p> <p>SHEET NO. 133</p>
	<p>DATE: _____ CONTRACT NO. _____</p> <p>DESIGNED: _____ CHECKED: _____</p> <p>PROJECT MANAGER: _____</p>

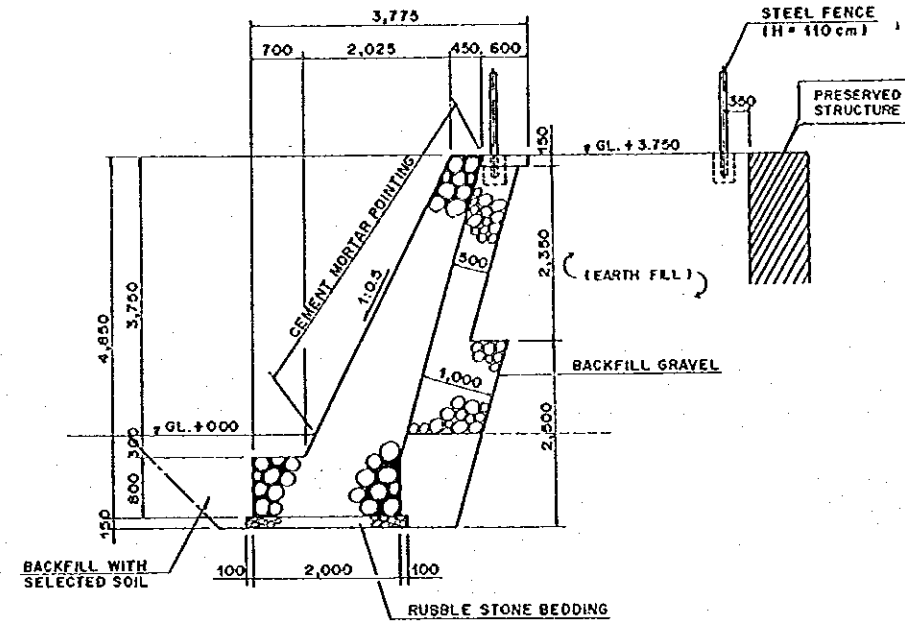


THE REPUBLIC OF INDONESIA MINISTRY OF PUBLIC WORKS DIRECTORATE GENERAL OF WATER RESOURCES DEVELOPMENT AND DIRECTORATE GENERAL OF HUMAN SETTLEMENT		PROVINCE CENTRAL JAVA
BRATUNSELUNA FLOOD CONTROL PROJECT COMPONENT: WEST FLOODWAY / GARANG RIVER IMPROVEMENT		PROJECT NAME FLOOD CONTROL, URBAN DRAINAGE AND WATER RESOURCES DEVELOPMENT IN BRATUNSELUNA IN THE REPUBLIC OF INDONESIA
PRESERVATION OF EXISTING SIMONGAN WEIR STRUCTURAL DETAILS (1/2)		CONTRACT SEMARANG CITY
DRAWING NO. W3-P2-PE-S1-3 SHEET NO. 133		DATE CONTRACT NO.
LIAISON INTERNATIONAL COOPERATION AGENCY CEI ENGINEERING CO. LTD. IN ASSOCIATION WITH PACIFIC CONSULTANTS INTERNATIONAL AND PAKO OPERATIONAL INC.		DESIGNED CHECKED DATE
NO. DATE REVISIONS		APPROVED PROJECT MANAGER

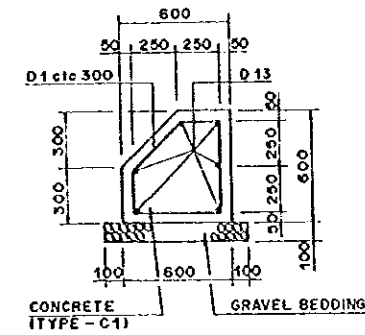
NO.	DATE	REVISIONS	ORIGINATED	DESIGNED	APPROVED



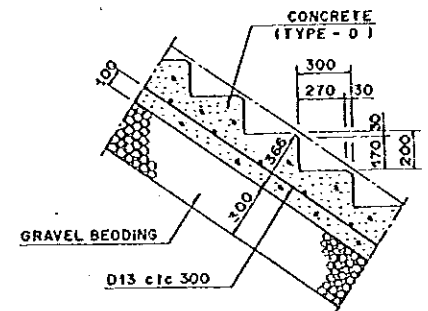
PLAN OF LEANING WALL
SCALE A



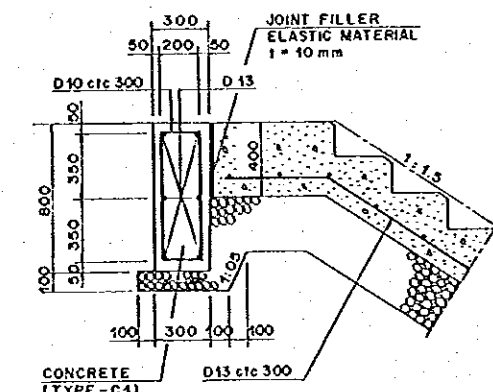
TYPICAL CROSS SECTION OF LEANING WALL
SCALE B



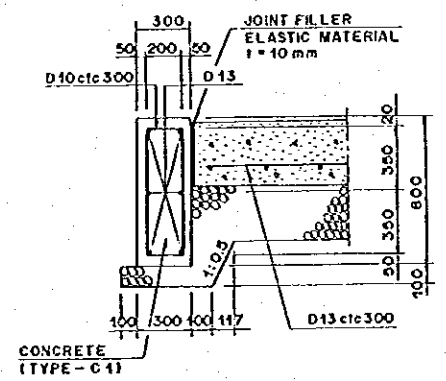
BASE CONCRETE
SCALE C



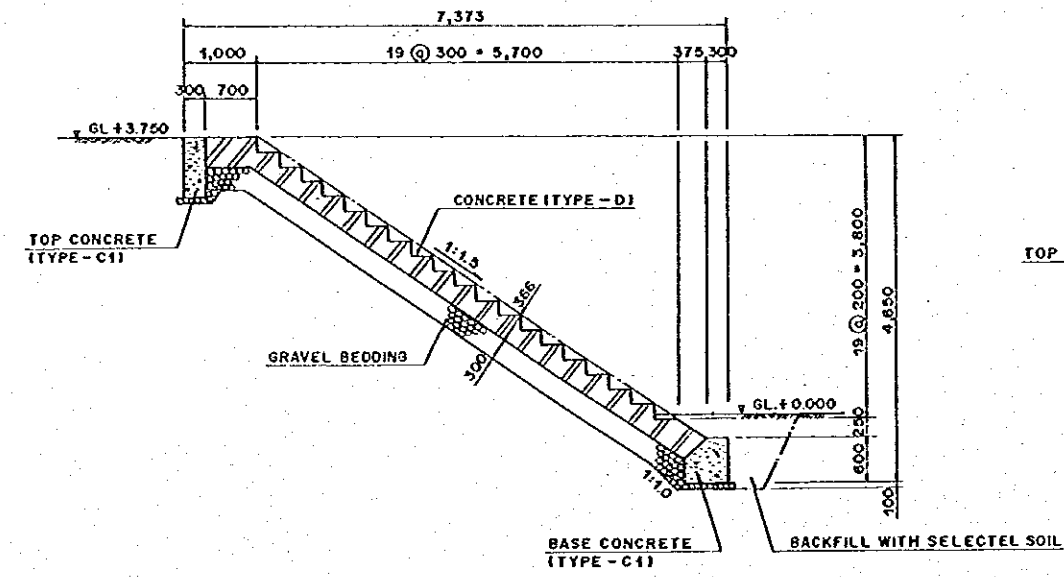
DETAIL OF STEPS
SCALE C



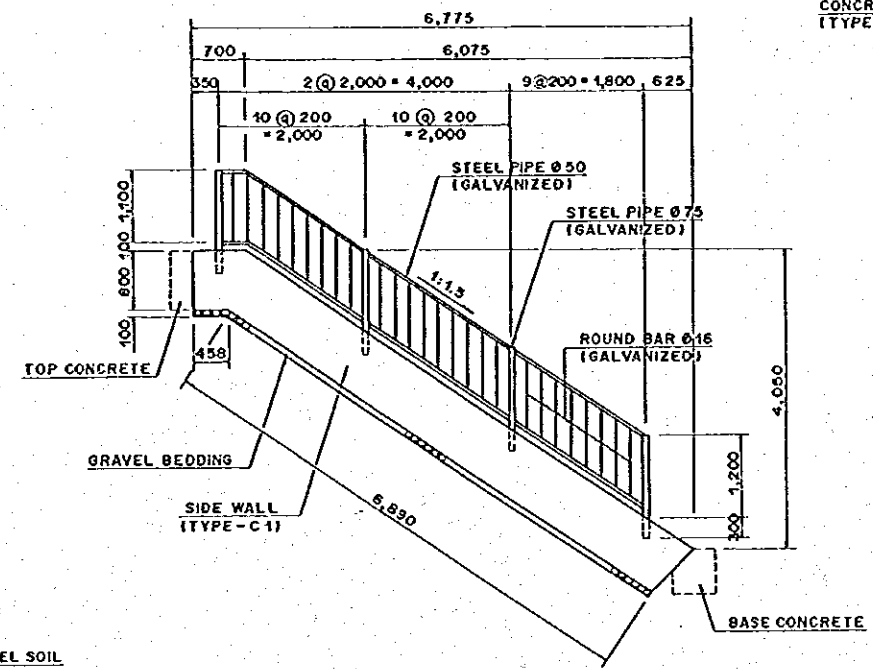
TOP CONCRETE
SCALE C



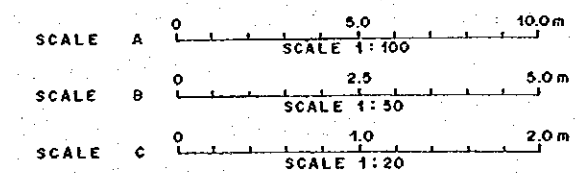
SIDE WALL
SCALE C



TYPICAL CROSS SECTION OF STEPS
SCALE B

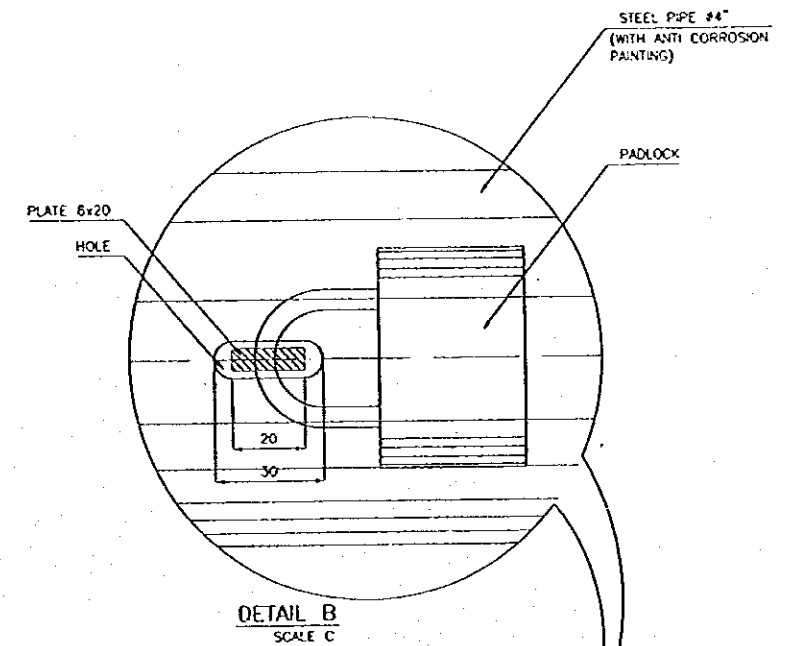
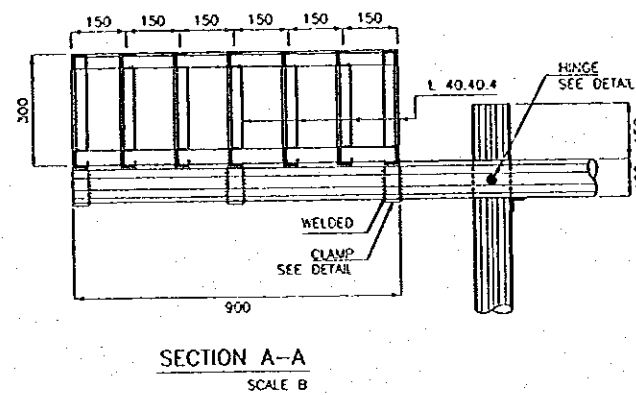
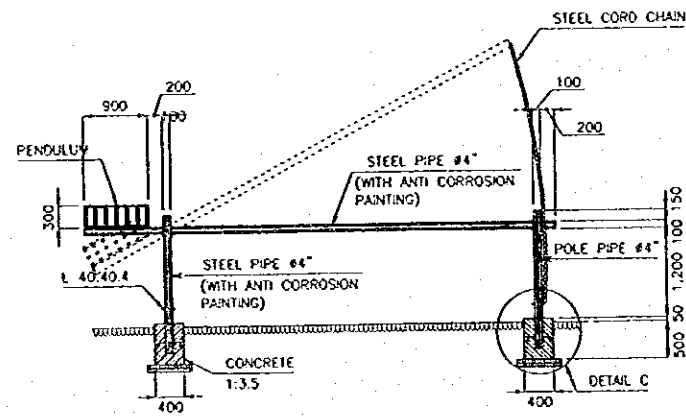
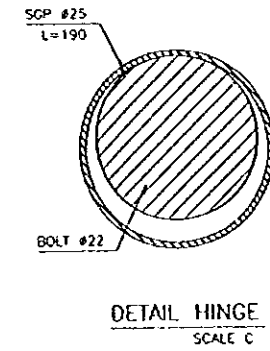
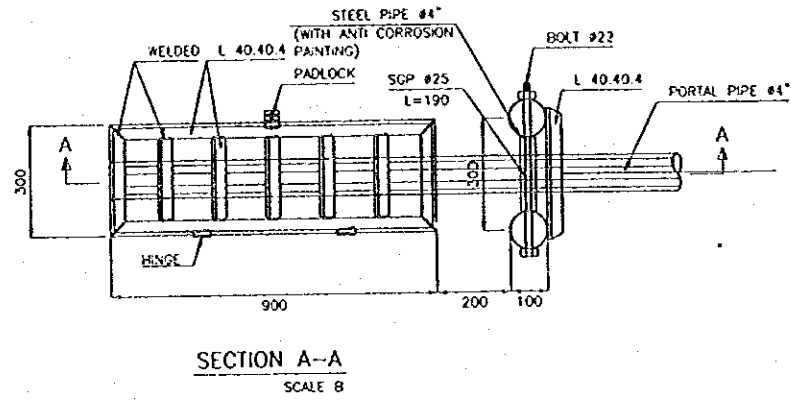
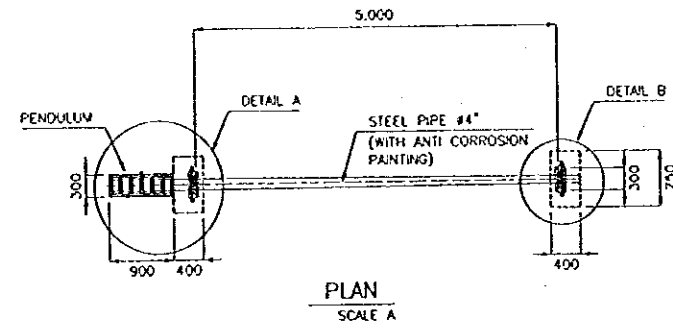


PROFILE OF SIDE WALL
SCALE B



NO.	DATE	REVISIONS	ORIGINATED	DESIGNED	APPROVED

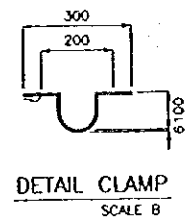
THE REPUBLIC OF INDONESIA MINISTRY OF PUBLIC WORKS DIRECTORATE GENERAL OF WATER RESOURCES DEVELOPMENT AND DIRECTORATE GENERAL OF HUMAN SETTLEMENT		PROVINCE CENTRAL JAVA
JATUNGSILUNA FLOOD CONTROL PROJECT COMPONENT: WEST FLOODWAY / GARANG RIVER IMPROVEMENT PRESERVATION OF EXISTING SIMONGAN WEIR STRUCTURAL DETAILS (2/2)		PROJECT NAME FLOOD CONTROL, URBAN DRAINAGE AND WATER RESOURCES DEVELOPMENT IN SEMARANG IN THE REPUBLIC OF INDONESIA DISTRICT SEMARANG CITY
JAPAN INTERNATIONAL COOPERATION AGENCY JICA ENGINEERING CO., LTD. IN ASSOCIATION WITH PACIFIC CONSULTANTS INTERNATIONAL, INC. PACIFIC CONSULTANTS INTERNATIONAL, INC.		DRAWING NO. WQ-P2-PE-51-4 SHEET NO. 234
DESIGNED <i>[Signature]</i>	CHECKED <i>[Signature]</i>	DATE CONTRACT NO.
CHIEF OF PLANNING AND DESIGN PROJECT MANAGER		



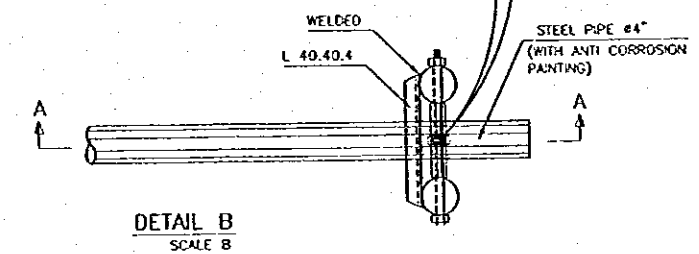
CROSS SECTION
SCALE A

SECTION A-A
SCALE B

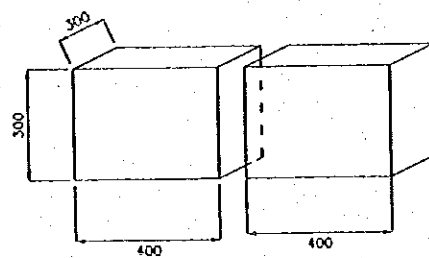
DETAIL B
SCALE C



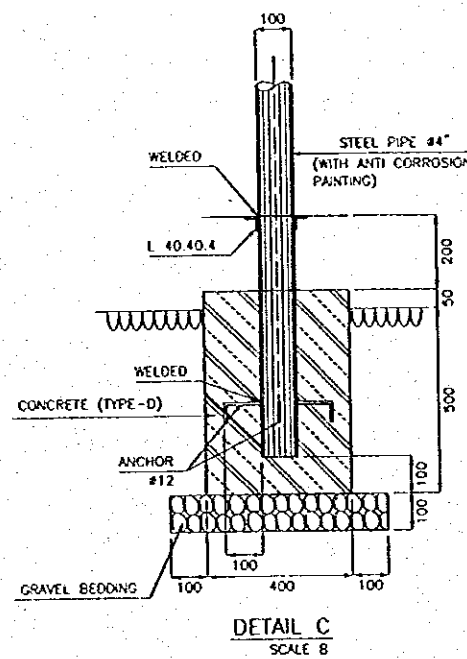
DETAIL CLAMP
SCALE B



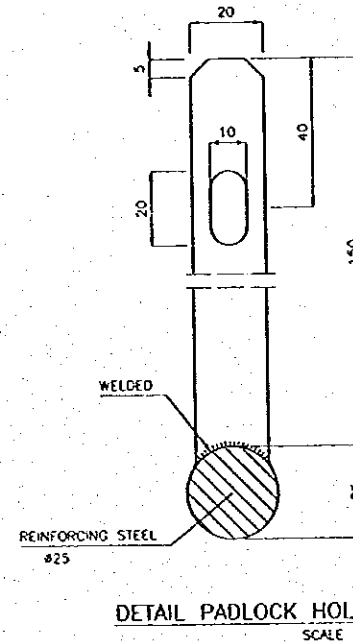
DETAIL B
SCALE B



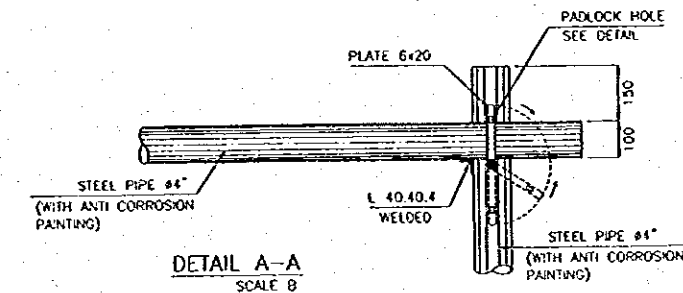
PENDULUM
SCALE B



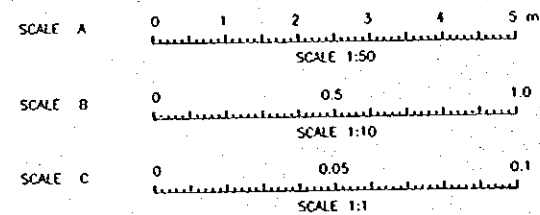
DETAIL C
SCALE B



DETAIL PADLOCK HOLE
SCALE C



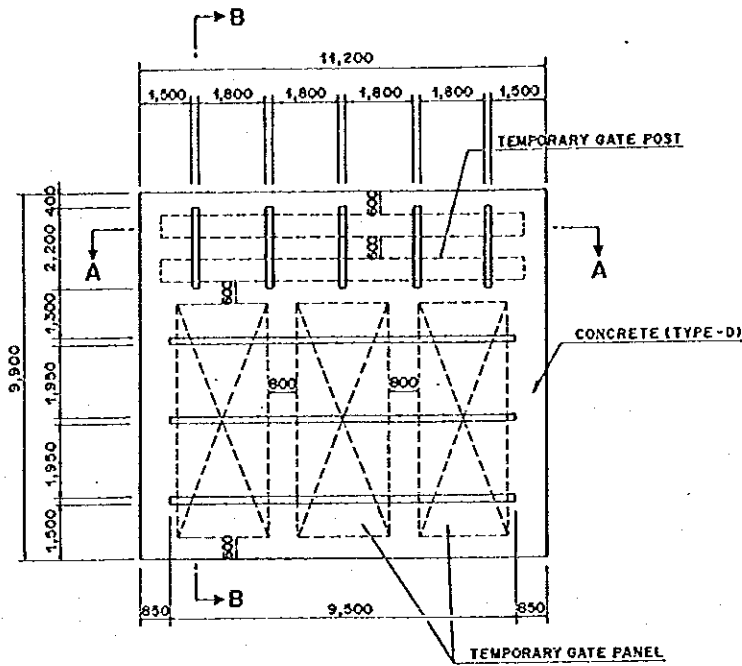
DETAIL A-A
SCALE B



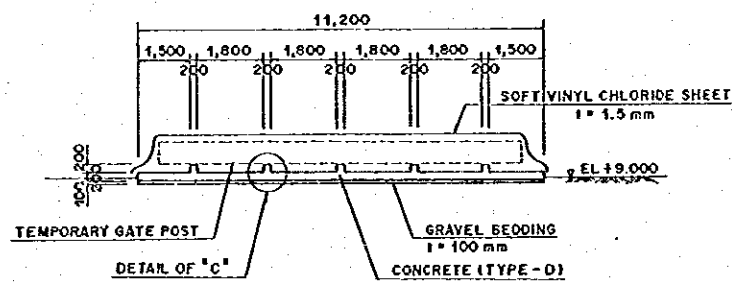
NOTE:
FOR THE LOCATION OF CAR STOP REFER TO THE GENERAL PLAN
FOR MAINTENANCE BRIDGE

NO.	DATE	REVISIONS	ORIGINATED	DESIGNED	APPROVED

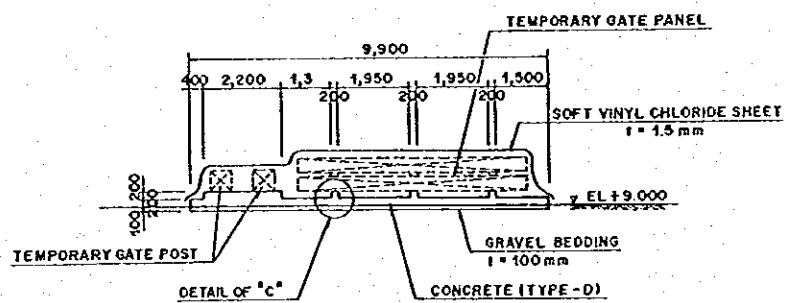
THE REPUBLIC OF INDONESIA MINISTRY OF PUBLIC WORKS DIRECTORATE GENERAL OF WATER RESOURCES DEVELOPMENT AND DIRECTORATE GENERAL OF HUMAN SETTLEMENT		PROVIDER CENTRAL JAVA
JATUNSELUNA FLOOD CONTROL PROJECT COMPONENT: WEST FLOODWAY/GARANO RIVER IMPROVEMENT MISCELLANEOUS OF EXISTING SIMONGAN DETAILS OF CARSTOP		PROJECT NAME FLOOD CONTROL, URBAN DRAINAGE AND WATER RESOURCES DEVELOPMENT IN SEMARANG IN THE REPUBLIC OF INDONESIA
DESIGNED BY: [Signature] CHECKED BY: [Signature]		DISTRICT SEMARANG CITY
DATE: [Date] CONTRACT NO.: [Number]		DRAWING NO. W0-P2-M1-91-1 SHEET NO. 235



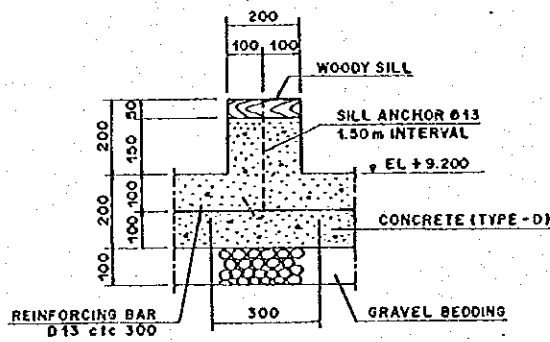
PLAN OF STORAGE FACILITY FOR TEMPORARY GATE
SCALE A



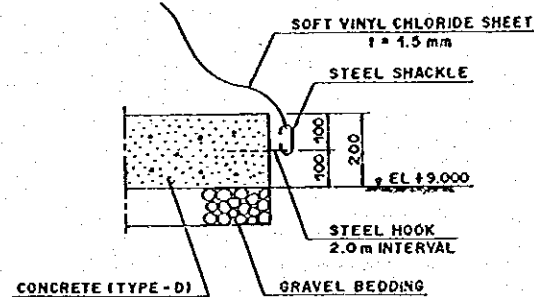
SECTION A-A
SCALE A



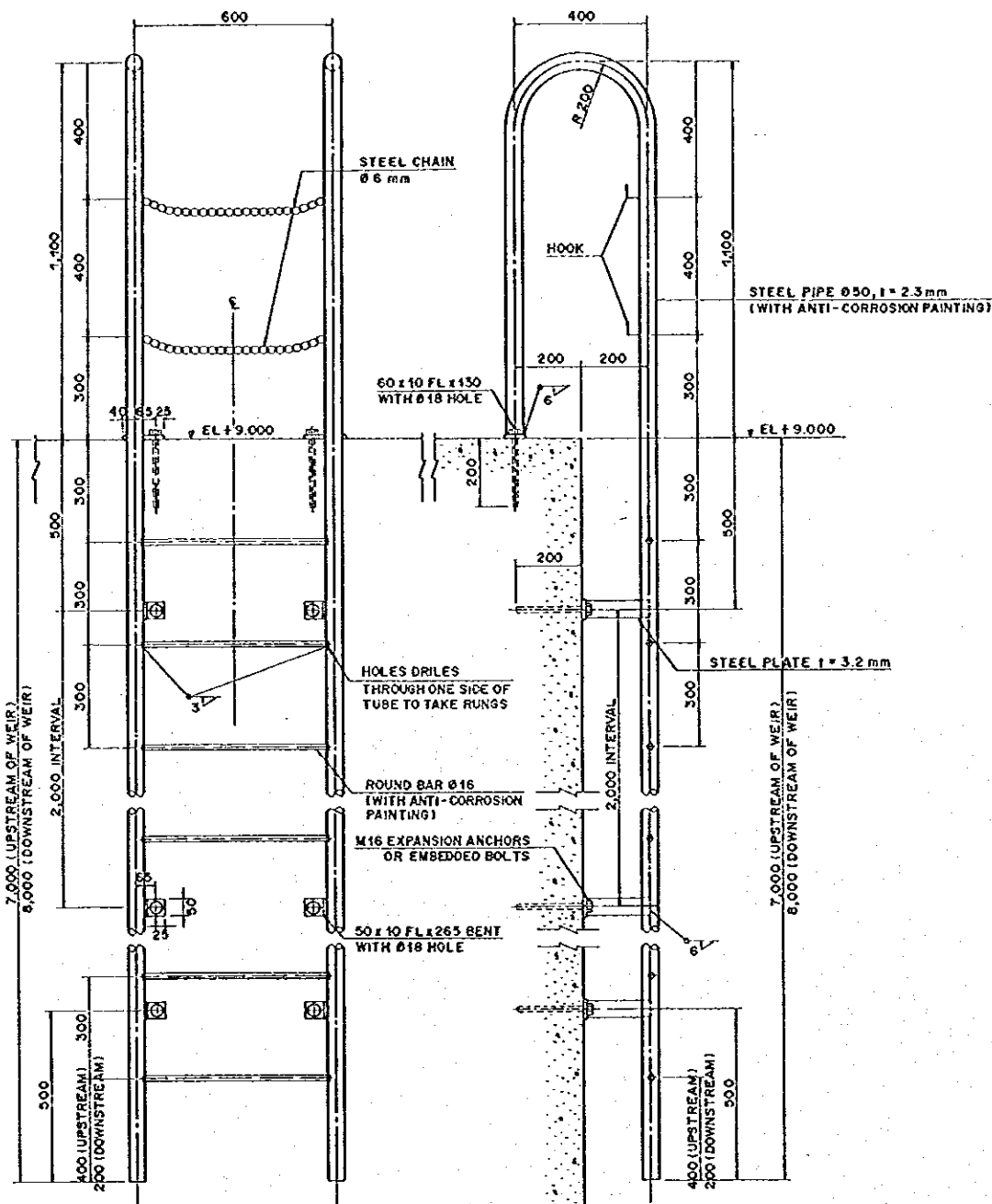
SECTION B-B
SCALE A



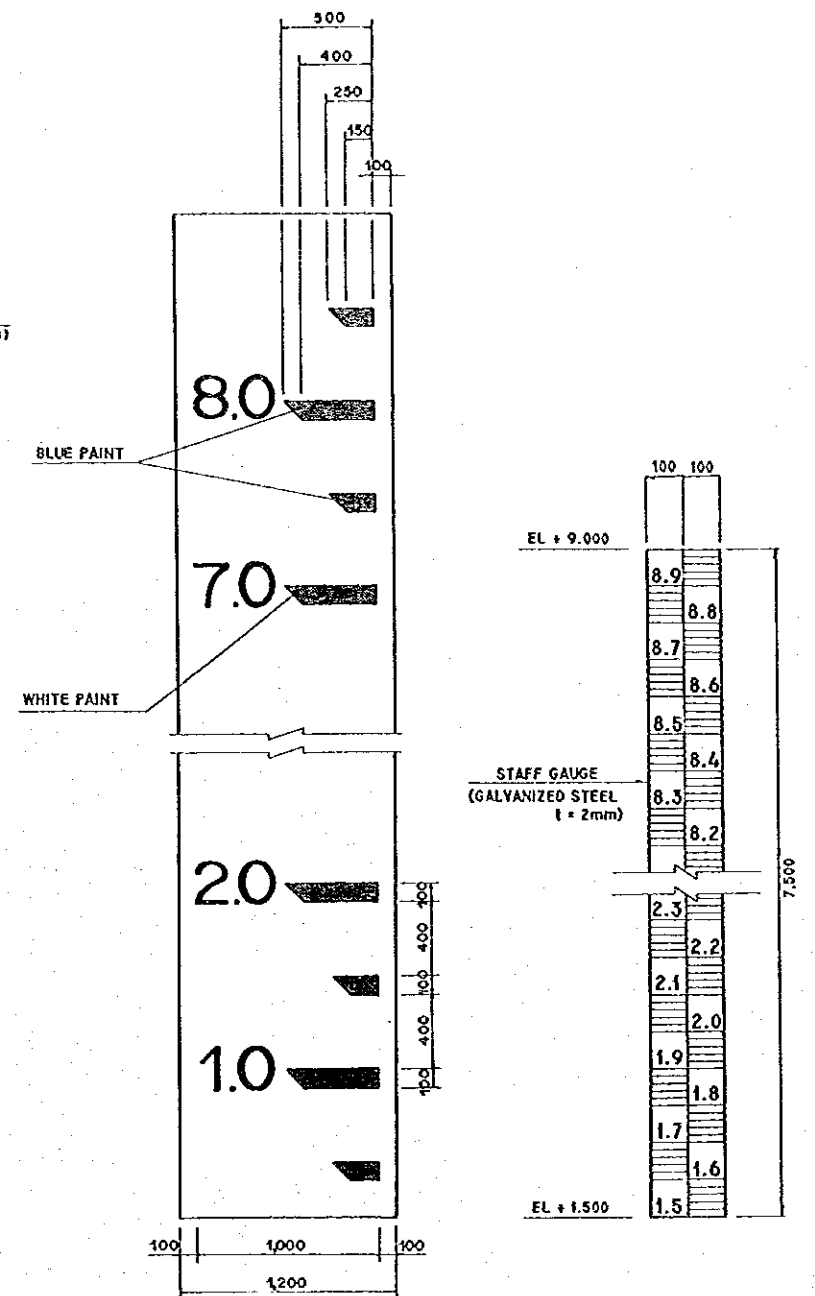
DETAIL OF 'c'
SCALE C



JOINTING
SCALE C



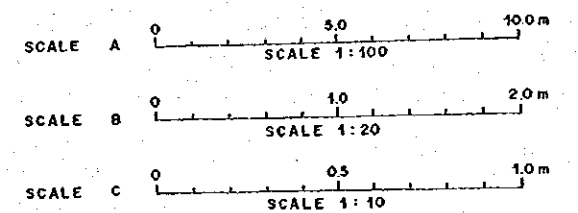
STEEL LADDER
SCALE C



PAINTING ON APPROACH WALLS
SCALE B

STAFF GAUGE
SCALE C

WATER LEVEL GAUGE

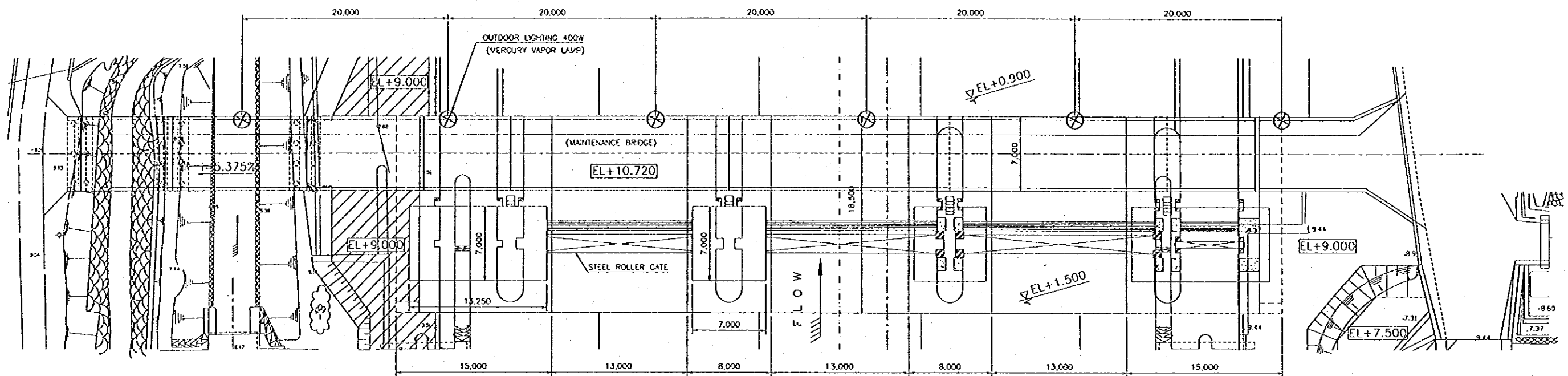


NOTE:

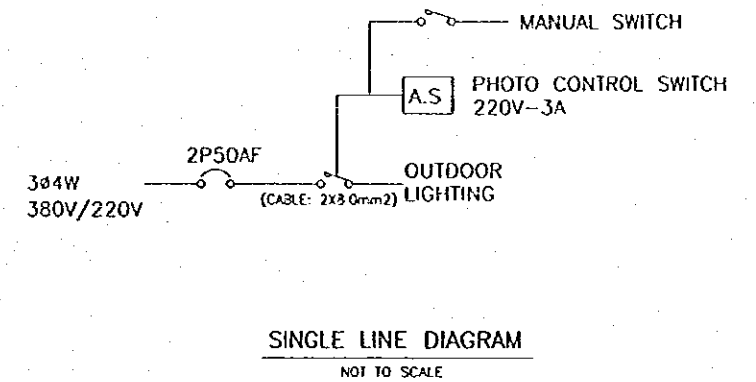
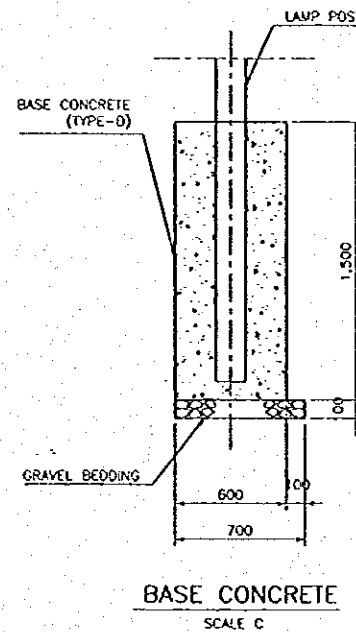
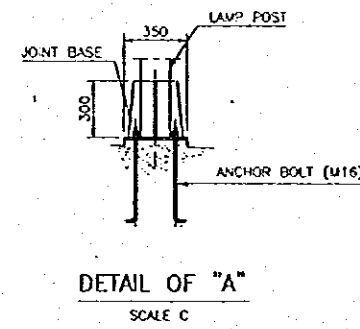
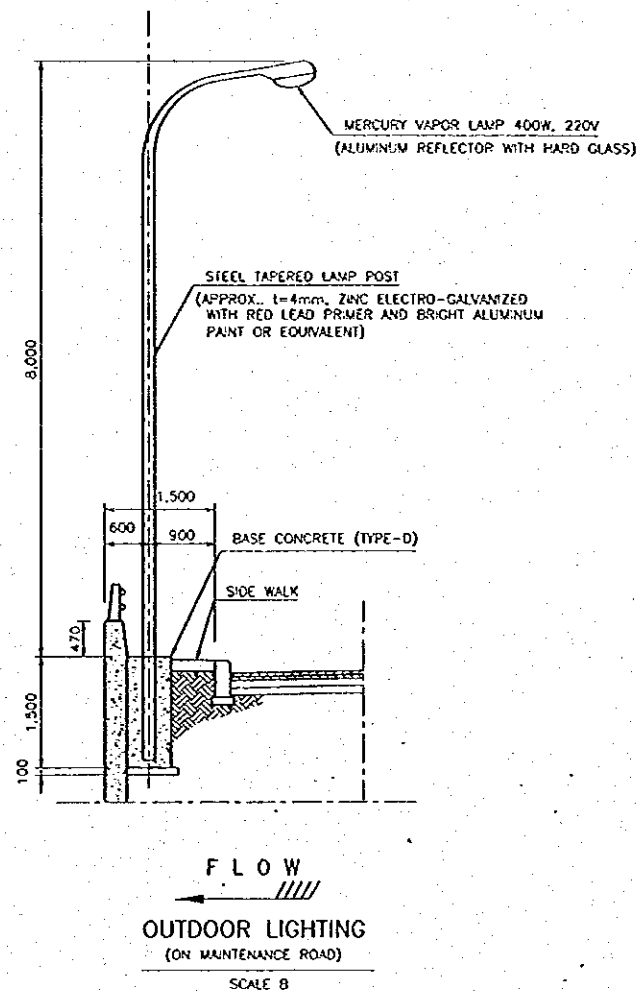
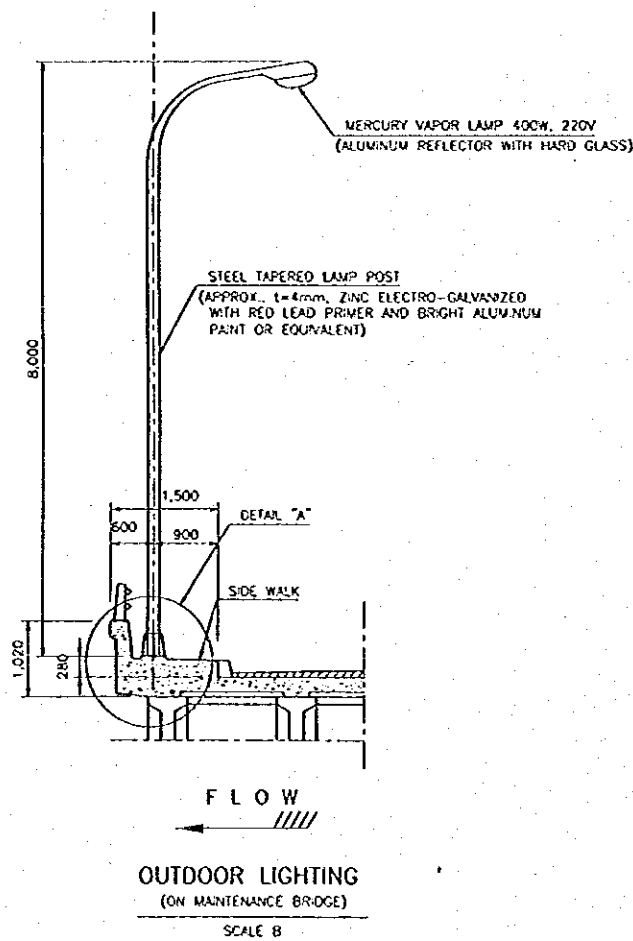
1. LOCATION OF STORAGE FACILITY REFERS TO DRAWING OF GENERAL PLAN OF WEIR.
2. LOCATION OF STEEL LADDER REFERS TO DRAWINGS OF UPSTREAM AND DOWNSTREAM APPROACH WALLS.
3. LOCATION OF WATER LEVEL GAUGE REFERS TO DRAWINGS OF UPSTREAM AND DOWNSTREAM APPROACH WALLS.

NO.	DATE	REVISIONS	ORIGINATED	DESIGNED	APPROVED

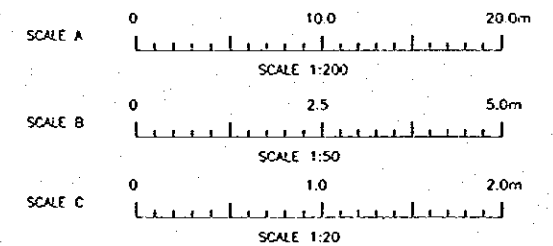
THE REPUBLIC OF INDONESIA MINISTRY OF PUBLIC WORKS DIRECTORATE GENERAL OF WATER RESOURCES DEVELOPMENT AND DIRECTORATE GENERAL OF HUMAN SETTLEMENT		PROVINCE CENTRAL JAVA
JATUNSELUNA FLOOD CONTROL PROJECT COMPONENT: WEST FLOODWAY / GARANG RIVER IMPROVEMENT MISCELLANEOUS OF EXISTING SIMONGAN DETAILS OF STORAGE FACILITY FOR GATE STEEL LADDER AND WATER LEVEL GAUGE		PROJECT NAME FLOOD CONTROL, URBAN DRAINAGE AND WATER RESOURCE DEVELOPMENT IN SIMONGAN IN THE REPUBLIC OF INDONESIA
LUPAN INTERNATIONAL COOPERATION AGENCY CEBU BRANCH CO., LTD. 18 CANTONMENT ROAD PACIFIC CONSULTANTS INTERNATIONAL INC. PARAO INTERNATIONAL INC.		DISTRICT SEMARANG CITY
DESIGNED CHECKED		DRAWING NO. WFD - PZ - M1 - B1 - 2
DATE		SHEET NO. 236
APPROVED		CONTRACT NO.
CHIEF OF PLANNING AND DESIGN PROJECT MANAGER		



ARRANGEMENT OF OUTDOOR LIGHTING
SCALE A



LOAD DESCRIPTION	VOLTS	WATTS	LOAD AMPERE	C.B.		MAGNETIC CONDUCTOR
				AT	AF	
OUTDOOR LIGHT 400W MERCURY VAPOR LAMP	220	400	3.70	20	50	20



NOTE: TYPE OF ANCHOR BAR AND MANNER OF INSTALLATION SHALL BE SUBJECTED TO THE APPROVAL OF ENGINEER

NO.	DATE	REVISORS	ORIGINATED	DESIGNED	APPROVED

THE REPUBLIC OF INDONESIA
MINISTRY OF PUBLIC WORKS
DIRECTORATE GENERAL OF WATER RESOURCES DEVELOPMENT AND DIRECTORATE GENERAL OF HUMAN SETTLEMENT

FRATUNSELUNA FLOOD CONTROL PROJECT
COMPONENT : WEST FLOODWAY / GARANG RIVER IMPROVEMENT
MISCELLANEOUS OF EXISTING SIMONGAN
DETAILS OF OUTDOOR LIGHTING

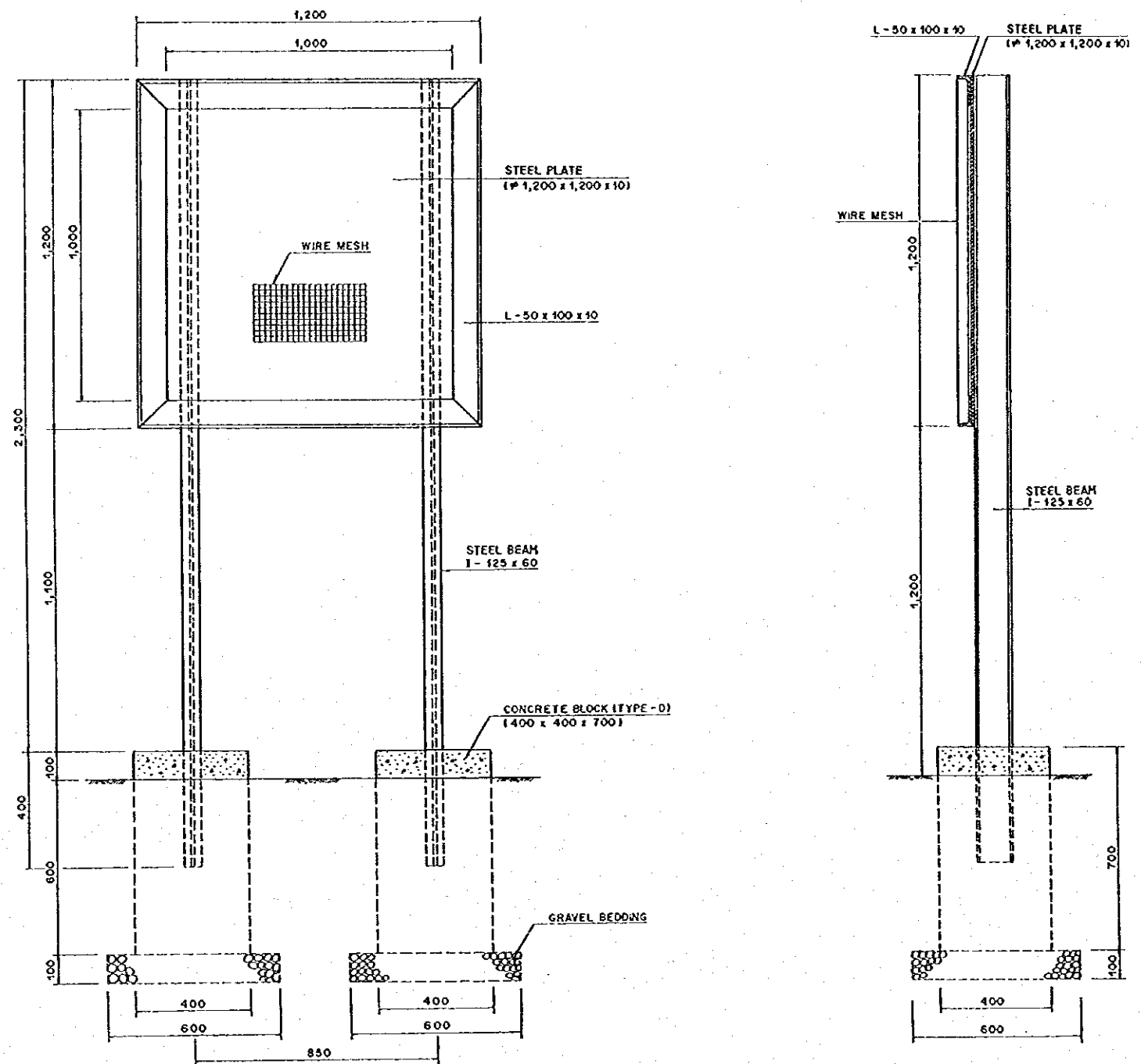
JAPAN INTERNATIONAL COOPERATION AGENCY
SITE ENGINEERING COL. LTD. IN ASSOCIATION WITH
PACIFIC CONSULTANTS INTERNATIONAL
PACIFIC INTERNATIONAL INC.

DESIGNED: [Signature]
CHECKED: [Signature]

DATE: [Date]
CONTRACT NO. [Number]

CHIEF OF PLANNING AND DESIGN
PROJECT MANAGER

PROVINCE: CENTRAL JAVA
PROJECT NAME: FLOOD CONTROL, URBAN DRAINAGE AND WATER RESOURCES DEVELOPMENT BY ROADWORK IN THE REPUBLIC OF INDONESIA
DISTRICT: SEMARANG CITY
DRAWING NO. WG-P2-MIS-13
SHEET NO. 137

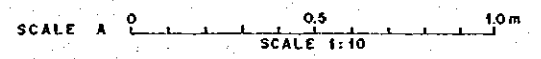


INFORMATION BOARD OF SIMONGAN WEIR
SCALE A

NOTE :

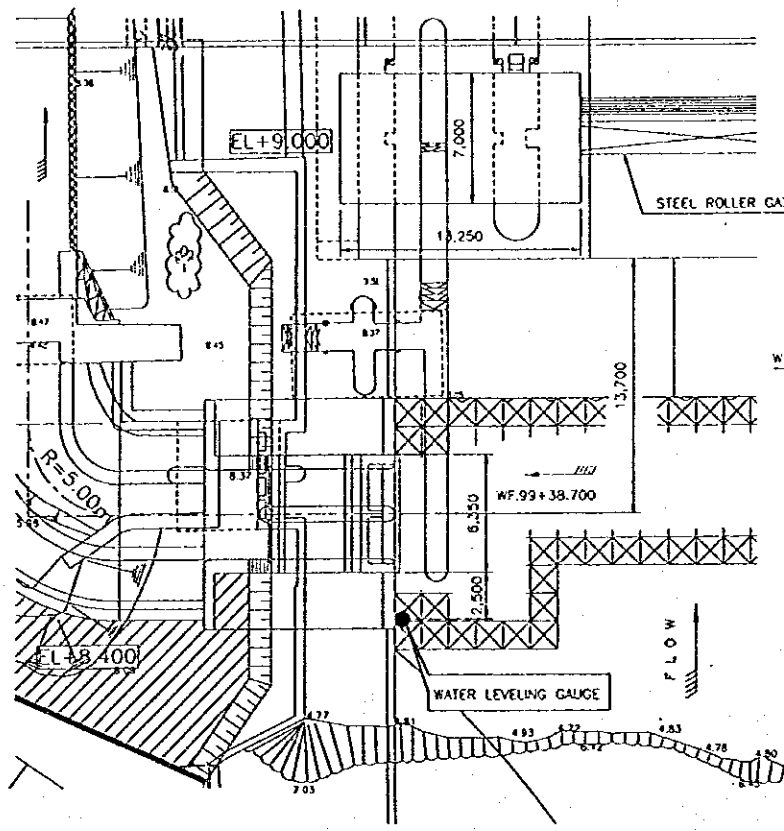
1. THE CONTRACTOR SHALL SET UP THE INFORMATION BOARD WHICH SAYS THE FOLLOWING CONTENTS :
 - (1) ROLE OF THE WEIR
 - (2) BASIC GATE OPERATION
 - (3) MANNER OF WARNING AGAINST FLOOD DISCHARGE

THE CONTENTS OF NOTICE SHALL BE DETERMINED BY THE ENGINEER.

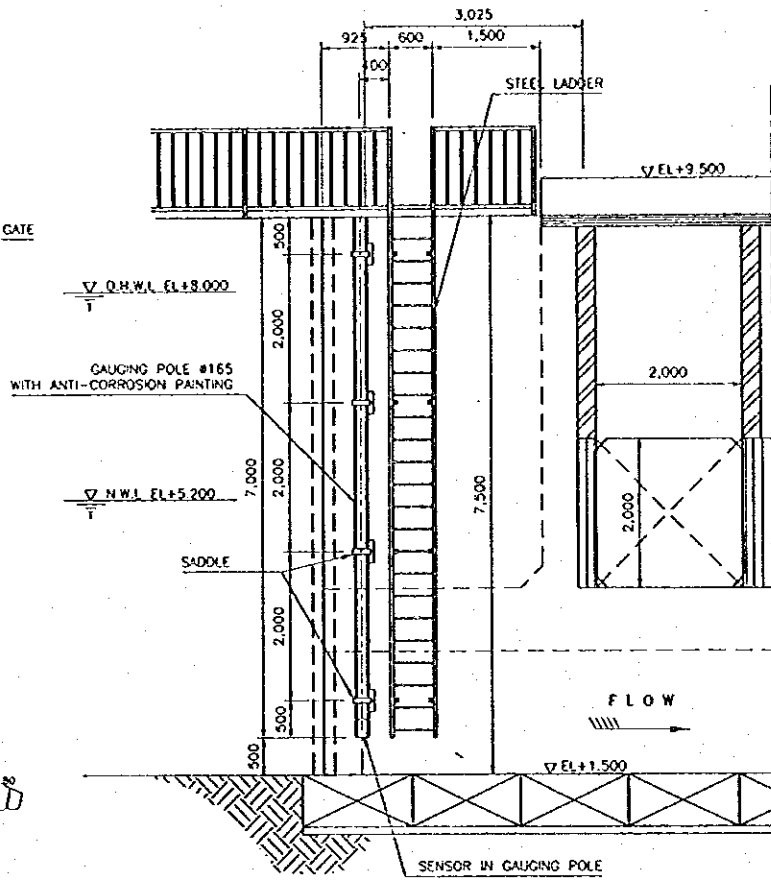


NO.	DATE	REVISIONS	ORIGINATED	DESIGNED	APPROVED

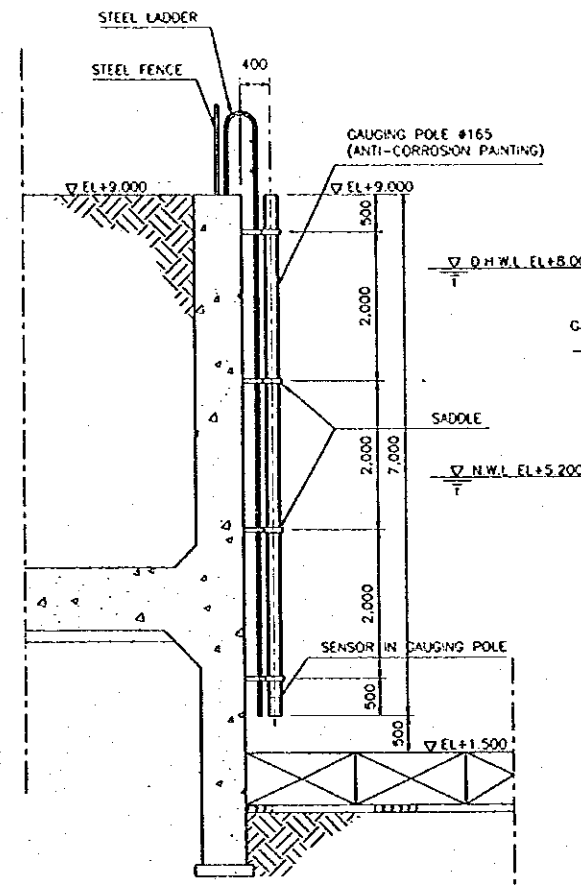
THE REPUBLIC OF INDONESIA MINISTRY OF PUBLIC WORKS DIRECTORATE GENERAL OF WATER RESOURCES DEVELOPMENT AND DIRECTORATE GENERAL OF HUMAN SETTLEMENT JIATUNSELUNA FLOOD CONTROL PROJECT COMPONENT : WEST FLOODWAY / GARANG RIVER IMPROVEMENT MISCELLANEOUS OF EXISTION SIMONGAN DETAIL OF INFORMATION BOARD		PROVINCE CENTRAL JAWA
JAPAN INTERNATIONAL COOPERATION AGENCY OTE ENGINEERING CO., LTD. IN ASSOCIATION WITH PACIFIC CONSULTANTS INTERNATIONAL, INC. JAPAN INTERNATIONAL, INC.		PROJECT NAME FLOOD CONTROL, URBAN DRAINAGE AND WATER RESOURCES DEVELOPMENT IN SEMARANG IN THE REPUBLIC OF INDONESIA DISTRICT SEMARANG CITY
DESIGNED CHECKED CHIEF OF PLANNING AND DESIGN PROJECT MANAGER		DRAWING NO. PWS-P2-M1-SC-4 SHEET NO. 238 DATE CONTRACT NO.



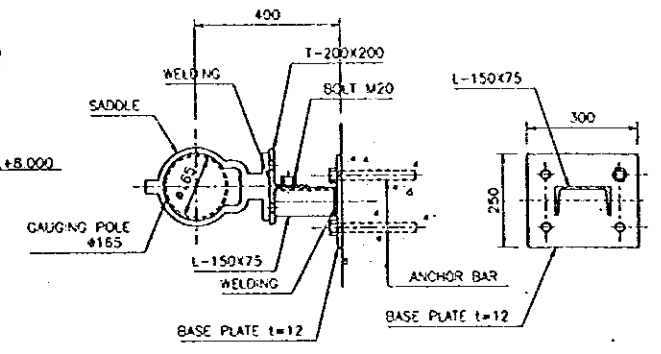
ARRANGEMENT OF WATER LEVELING GAUGE
SCALE A



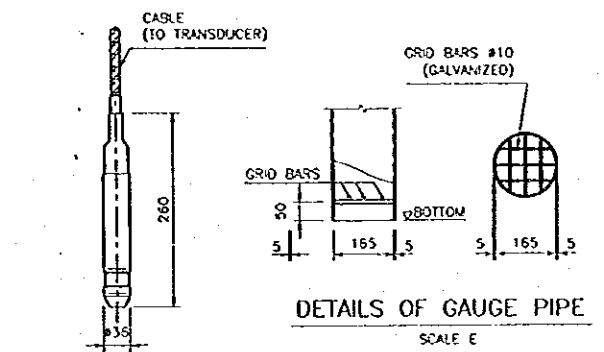
FRONT ELEVATION
SCALE C



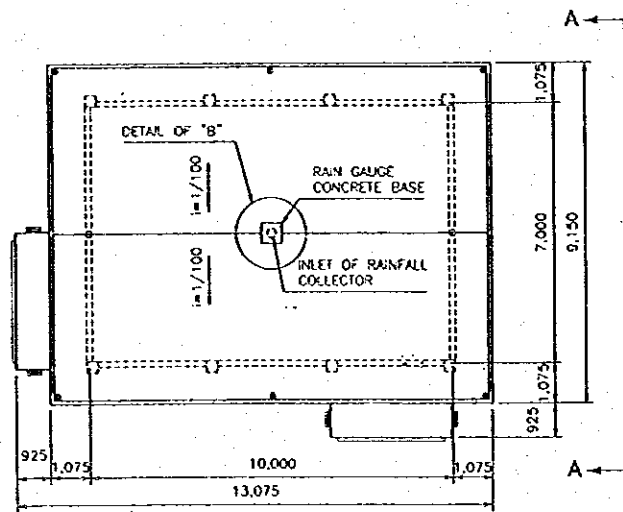
SIDE ELEVATION
SCALE C



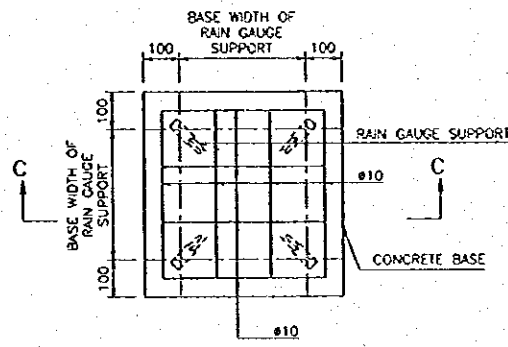
DETAILS OF SADDLE
SCALE E



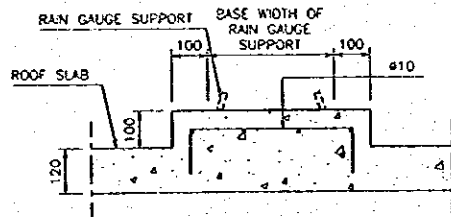
DETAIL OF SENSOR
SCALE F



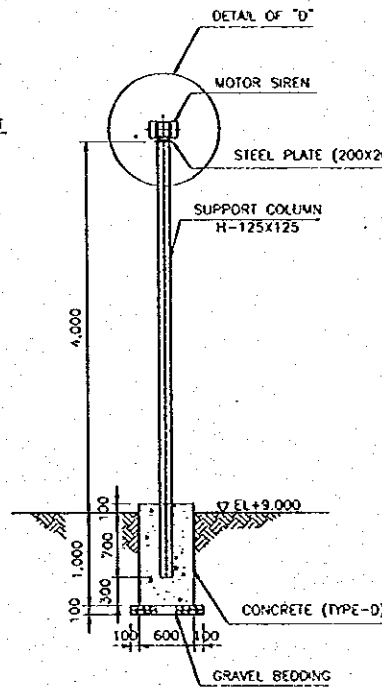
ROOF PLAN OF STORAGE HOUSE 1
SCALE B



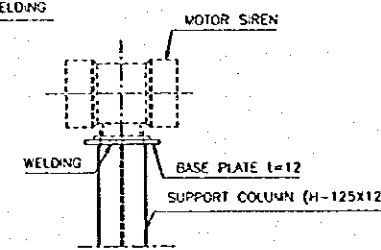
DETAIL OF "B"
SCALE E



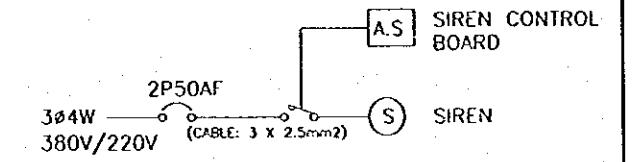
SECTION C-C
SCALE E



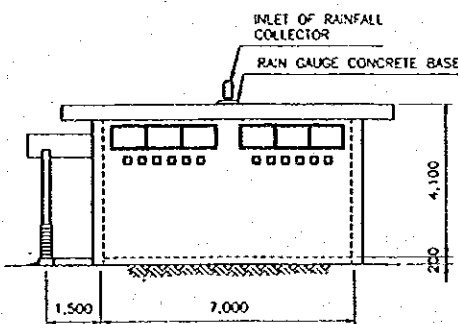
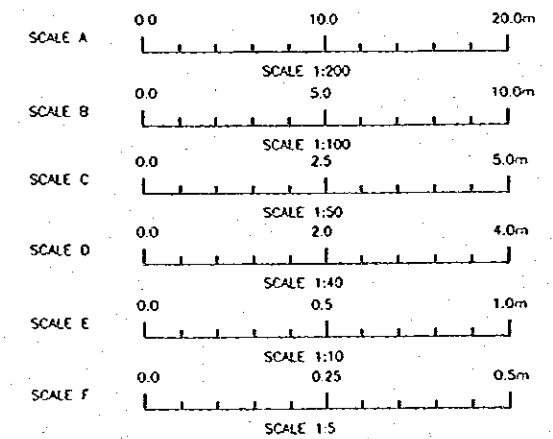
SIREN
SCALE D



SECTION D-D
SCALE E



SINGLE LINE DIAGRAM FOR SIREN EQUIPMENT
NOT TO SCALE



SECTION A-A
SCALE B

THE REPUBLIC OF INDONESIA MINISTRY OF PUBLIC WORKS DIRECTORATE GENERAL OF WATER RESOURCES DEVELOPMENT AND DIRECTORATE GENERAL OF HUMAN SETTLEMENT		PROVINCE: CENTRAL JAVA PROJECT NAME: FLOOD CONTROL, LEAKY DRAINAGE AND WATER RESOURCES DEVELOPMENT IN SEMARANG IN THE REPUBLIC OF INDONESIA DISTRICT: SEMARANG CITY DRAWING NO.: WD - P3 - M1 - 81 - 5 SHEET NO.: 139 DATE: _____ CONTRACT NO.: _____	
JATUNSELUNA FLOOD CONTROL PROJECT COMPONENT: WEST FLOODWAY / GARANG RIVER IMPROVEMENT MISCELLANEOUS OF EXISTING SIMONGAN DETAILS OF WATER LEVELING GAUGE, RAIN GAUGE AND SIREN		LASKAR INTERNATIONAL CONSULTING AGENCY CIVIL ENGINEERING CO., LTD. PACIFIC CONSULTANTS INTERNATIONAL PARKS INTERNATIONAL, INC.	
DESIGNED: _____ CHECKED: _____ APPROVED: _____ CHIEF OF PLANNING AND DESIGN PROJECT MANAGER		APPROVED: _____ PROJECT MANAGER	

NO.	DATE	REVISIONS	ORIGINATED	DESIGNED	APPROVED

JICA